

INSTALLATION INSTRUCTIONS
UNDERCOUNTER DISHWASHER

INSTRUCTIONS D'INSTALLATION
LAVE-VAISSELLE SOUS PLAN DE TRAVAIL

Table of Contents 2
Table des matières 27

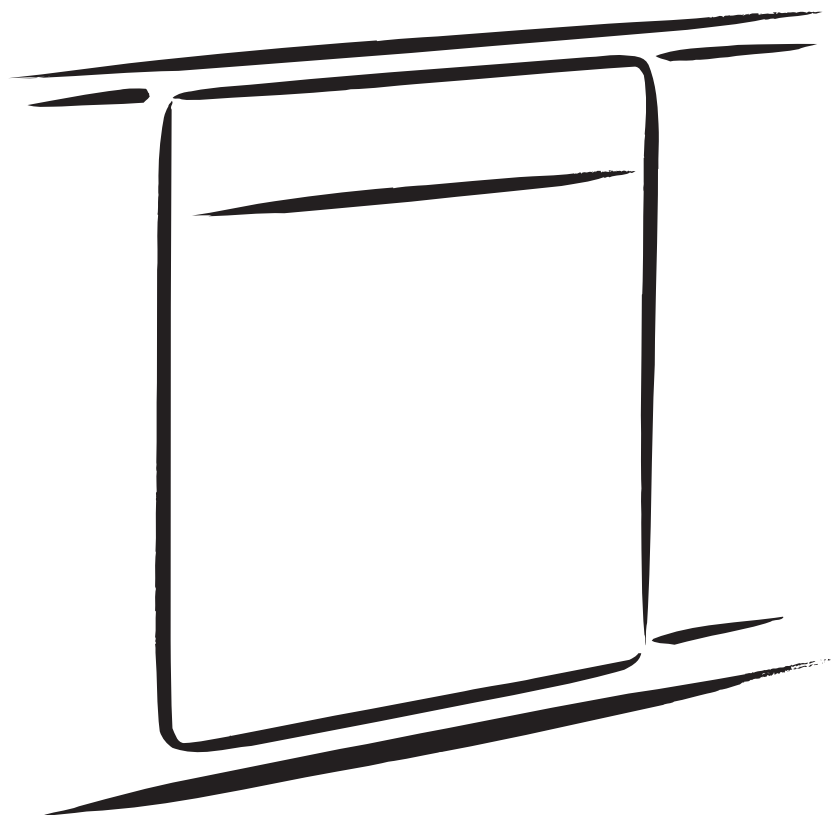


TABLE OF CONTENTS

DISHWASHER SAFETY	2	Determine Cabinet Opening.....	14
INSTALLATION REQUIREMENTS	3	Install Door Handle.....	15
Tools and Parts.....	3	Custom Panel Dimensions.....	15
Location Requirements.....	4	Install Custom Panel.....	15
Drain Requirements.....	6	Choose Attachment Option.....	17
Water Supply Requirements.....	6	Prepare Water Supply Line.....	18
Electrical Requirements.....	6	Move Dishwasher Close to Cabinet Opening.....	19
INSTALLATION INSTRUCTIONS	7	Connect to Water Supply.....	21
Prepare Cabinet Opening—		Connect to Drain.....	21
Existing Utilities.....	7	Make Direct Wire Electrical Connection.....	22
Prepare Cabinet Opening—New Utilities.....	7	Secure Dishwasher in Cabinet Opening.....	23
Prepare and Route Water Line.....	8	Complete Installation.....	24
Install Drain Hose.....	9	Check Operation.....	26
Install Moisture Barrier.....	11	If Dishwasher Does Not Operate.....	26
Prepare Dishwasher.....	11	Additional Tips.....	26
Make Power Supply Cord Connection.....	12		

DISHWASHER SAFETY

Your safety and the safety of others are very important.

We have provided many important safety messages in this manual and on your appliance. Always read and obey all safety messages.



This is the safety alert symbol.

This symbol alerts you to potential hazards that can kill or hurt you and others.

All safety messages will follow the safety alert symbol and either the word “DANGER” or “WARNING.”

These words mean:

⚠ DANGER

You can be killed or seriously injured if you don't immediately follow instructions.

⚠ WARNING

You can be killed or seriously injured if you don't follow instructions.

All safety messages will tell you what the potential hazard is, tell you how to reduce the chance of injury, and tell you what can happen if the instructions are not followed.

⚠ WARNING



Tip Over Hazard

Do not use dishwasher until completely installed.

Do not push down on open door.

Doing so can result in serious injury or cuts.

You Need to:

- Slowly open dishwasher door while someone grasps the rear of the dishwasher. Remove shipping materials and drain hose. Close dishwasher door until latched.

NOTE: Each dishwasher is tested at the factory and may contain some residual water in the tub as a result of the test.

- Observe all governing codes and ordinances.
- Install this dishwasher as specified in these instructions.
- Installation should be performed by a qualified service technician. The dishwasher must be installed to meet all electrical and plumbing national and local codes and ordinances.

Care shall be exercised when the appliance is installed or removed, to reduce the likelihood of damage to the power-supply cord.

WARNING: To reduce the risk of electric shock, fire, or injury to persons, the installer must ensure that the dishwasher is completely enclosed at the time of installation.


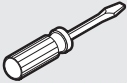
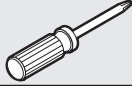
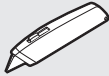
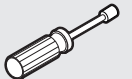


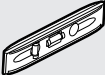

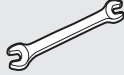
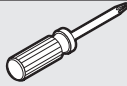
INSTALLATION REQUIREMENTS

Tools and Parts

Gather the recommended tools and parts before starting installation. Read and follow the instructions provided with any tools listed here.

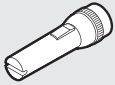
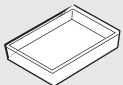
All Installations

Tools needed:




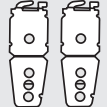

Pliers 	Flat-blade screwdriver 
Phillips screwdriver 	Utility knife 
5/16" and 1/4" nut drivers or hex sockets 	UL Listed/CSA Approved twist-on wire connectors* 
Measuring tape or ruler 	Small level 
10" adjustable wrench that opens to 1 1/8" (2.9 cm) 	5/8" open-end wrench 
Torx®† T20® and, if installing custom front panels, Torx® T15® screwdrivers 	

*Must be the proper size to connect your household wiring to 16-gauge wiring in dishwasher.

Other useful items you may need:

Flashlight 	Shallow pan 
--	---

Parts supplied:

Drain hose clamps (2) (1 large and 1 small) 	Drain hose 	#10 x 1/2" Phillips-head screws (2) 	Undercounter mounting brackets (2) 	Custom tape (2) 
---	--	---	--	---

Parts needed:

<p>3/8" Compr x 3/4" hose fitting For part or kit, see local retailer or call Whirlpool Parts: 1-800-442-9991. Part Number W10273460</p> 
--

(4) #10 x 1/2" wood screws (if installing custom front panels)

Supplied in Kit:

- (4) Plastic studs (attached to each other by runners)
- (4) Short screws (10-16 hex-head screw)
- (4) Long screws (8-18 Torx® head screws)
- (1) Template (located inside Use and Care Guide bag assembly)
- (1) Instruction sheet (located inside Use and Care Guide bag assembly)

NOTE: The screws supplied are used for only 3/4" thick wooden panel. If the wooden panel is less than 3/4" thick, customer must purchase screws locally.

Other parts you may also need:

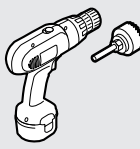

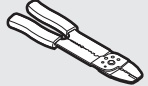
1 1/2"-2" (3.81-5 cm) Screw-type clamps (3 maximum) 	Masking or duct tape 	Moisture barrier tape (Part Number 4396277) 
---	--	---

NOTES:


- Moisture barrier tape is recommended when installing a dishwasher under a wood countertop.
- Parts available for purchase in plumbing supply stores. Check local codes. Check existing electrical supply. See "Electrical Requirements" section. It is recommended that electrical connections be made by a licensed electrical installer.

In addition, for first-time installations

Tools needed:

Cordless drill with 1/2", 3/4" and 1 1/2" hole saw bits 	Small tubing cutter 	Wire stripper 
--	---	---

Parts needed:

Copper tubing (3/8" O.D. suggested) or flexible braided water supply line 	See "Electrical Requirements" section.
	For Direct Wire: use UL Listed/CSA Approved strain relief to fit 7/8" (2.2 cm) hole
	For Power Supply Cord: use UL Listed/CSA Approved power supply cord kit marked for use with dishwasher

Make sure all these parts are included in the literature package.

If parts are not included, call 1-800-422-1230. In Canada, call 1-800-807-6777.

†@TORX, T15, and T20 are registered trademarks of Acument Intellectual Properties, LLC.

Location Requirements

Grounded electrical supply required.

Do not run drain lines, water lines or electrical wiring where they can interfere with or contact dishwasher motor or legs.

The location where the dishwasher will be installed must provide clearance between motor and flooring. Motor should not touch the floor.

Do not install dishwasher over carpeted flooring.

Shelter dishwasher and water lines leading to dishwasher against freezing. Damage from freezing is not covered by the warranty.

A moisture barrier accessory (Part Number 4396277) is available from your dealer for installing underneath the countertop. Call **1-800-422-1230** to order. In Canada, call **1-800-807-6777**.

Check location where dishwasher will be installed. The location must provide:

- easy access to water, electricity and drain.
- convenient access for loading and unloading dishes. Corner locations require a 2" (5.1 cm) minimum clearance between the side of the dishwasher door and the wall or cabinet.
- square opening for proper operation and appearance.
- cabinet front perpendicular to floor.
- level floor. If floor at front of opening is not level with floor at rear of opening, shims may be needed to level dishwasher.

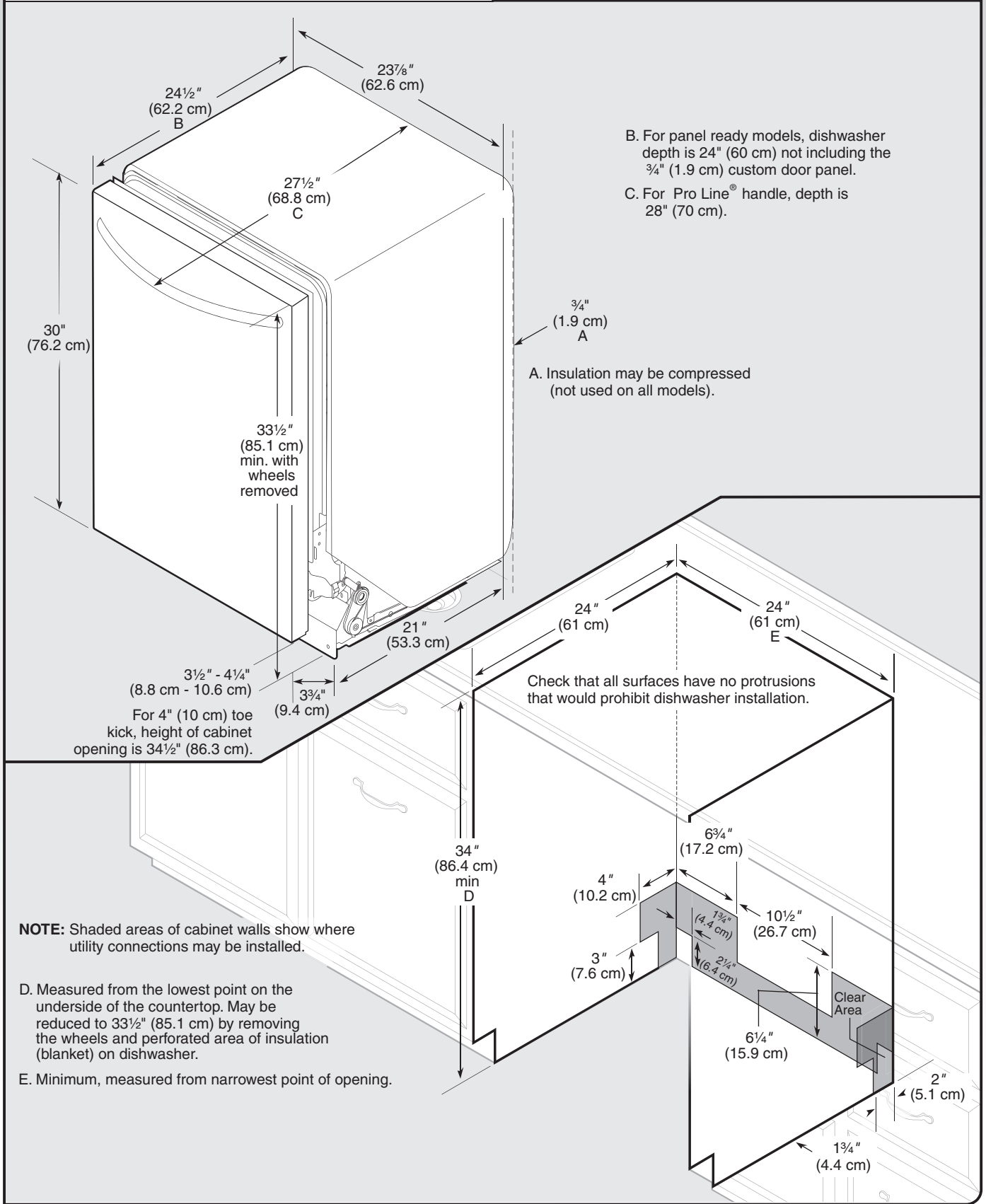
Helpful Tip: Be sure to accurately measure dimensions and ensure dishwasher is level if the floor in the dishwasher opening is uneven (example: Flooring extends only partway into opening).

NOTE: To avoid shifting during dishwasher operation, shims must be securely attached to the floor.

If dishwasher will be left unused for a period of time or in a location where it may be subject to freezing, have it winterized by authorized service personnel.

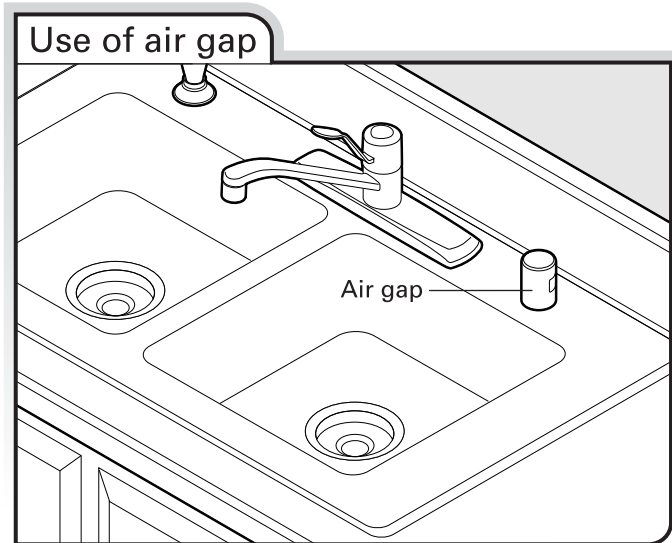
Make sure pipes, wires and drain hose are within the shaded area shown in the "Product and Cabinet Opening Dimensions" section.

Product and Cabinet Opening Dimensions



Drain Requirements

- A new drain hose is supplied with your dishwasher. If drain hose is not long enough, use a new drain hose with a maximum length of 12 ft (3.7 m) (Part Number 3385556) that meets all current AHAM/IAPMO test standards, is resistant to heat and detergent, and fits the 1" (2.5 cm) drain connector of the dishwasher.
- Make sure to connect drain hose to waste tee or disposer inlet above drain trap in house plumbing and 20" (50.8 cm) minimum above the floor. It is recommended that the drain hose either be looped up and securely fastened to the underside of the counter, or be connected to an air gap.



- Make sure to use an air gap if the drain hose is connected to house plumbing lower than 20" (50.8 cm) above subfloor or floor.
- If required, the air gap should be installed in accordance with the air gap installation instructions. When you are connecting the air gap, a rubber hose (not provided) will be needed to connect to the waste tee or disposer inlet.

Water Supply Requirements

- A hot water line with 20 to 120 psi (138 to 862 kPa) water pressure can be verified by a licensed plumber.
- 120°F (49°C) water at dishwasher.
- 3/8" O.D. copper tubing with compression fitting or flexible braided water supply line (Part Number 4396897RP).
NOTE: 1/2" minimum plastic tubing is not recommended.
- A 90° elbow with 3/4" hose connection with rubber washer (Part Number W10273460).
- Do not solder within 6" (15.2 cm) of the water inlet valve.

Electrical Requirements

Be sure that the electrical connection and wire size are adequate and in conformance with the National Electrical Code, ANSI/NFPA 70 - latest edition and all local codes and ordinances.

A copy of the above code standards can be obtained from:

National Fire Protection Association
1 Batterymarch Park
Quincy, MA 02169-7471

You must have:

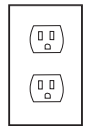
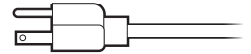
- 120-volt, 60 Hz, AC-only, 15- or 20-amp, fused electrical supply.
- Copper wire only.

We recommend:

- A time-delay fuse or circuit breaker.
- A separate circuit.

If connecting dishwasher with a power supply cord:

- Use UL Listed power supply cord kit (Part Number 4317824) marked for use with dishwasher.
- Power supply cord must plug into a grounded 3 prong outlet, located in the cabinet next to the dishwasher opening. Outlet must meet all local codes and ordinances.



If connecting dishwasher with direct wiring:

- Use flexible, armored or nonmetallic sheathed, copper wire with grounding wire that meets the wiring requirements for your home and local codes and ordinances.
- Use a UL Listed/CSA Approved strain relief.



INSTALLATION INSTRUCTIONS

⚠ WARNING



Electrical Shock Hazard

Disconnect electrical power at the fuse box or circuit breaker box before installing dishwasher.

Failure to do so can result in death or electrical shock.

1 Disconnect power

Disconnect electrical power at the fuse box or circuit breaker box before installing dishwasher.

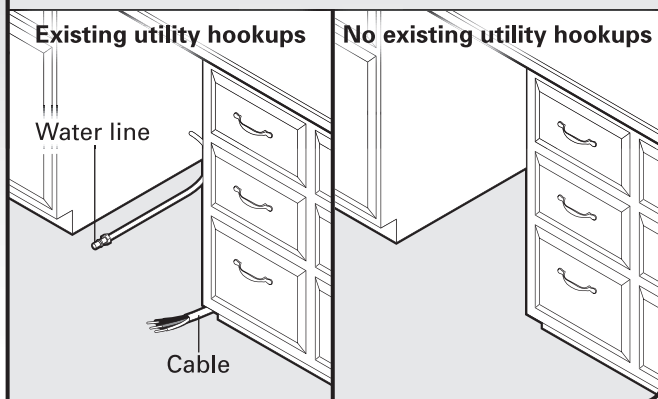
2 Shut off water supply

Shut off the water supply to the dishwasher.

3 Do you already have utility hookups?

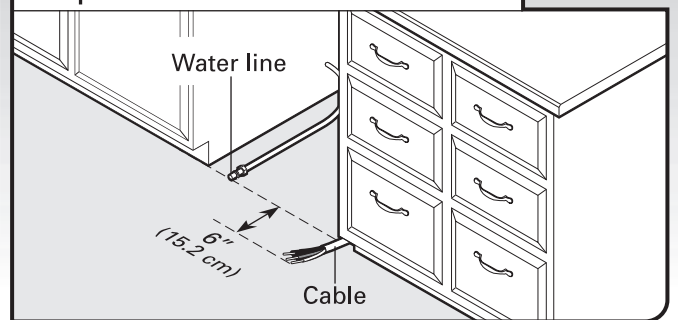
Yes —Follow instructions in the “Prepare Cabinet Opening—Existing Utilities” section.

No —Follow instructions in the “Prepare Cabinet Opening—New Utilities” section.



Prepare Cabinet Opening—Existing Utilities

1 Check water and electrical placement

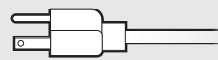


If the water line and the cable extend to the locations shown, proceed to the “Install Drain Hose” section. If they do not reach far enough, follow the instructions in the “Prepare Cabinet Opening—New Utilities” section.

Prepare Cabinet Opening—New Utilities

Prepare and route the electrical supply

What type of electrical connection will you use?



Power Supply Cord:
Follow Option A instructions

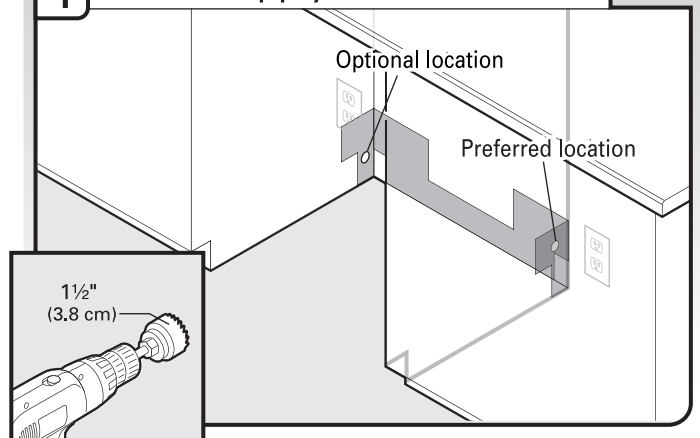


Direct Wire:
Follow Option B instructions

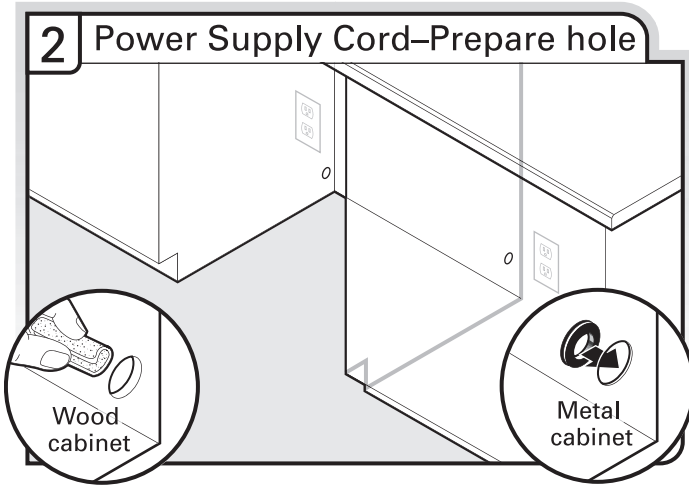
Option A, Power Supply Cord:

NOTE: A grounded 3 prong outlet is required inside a cabinet next to the dishwasher cabinet opening.

1 Power Supply Cord—Drill hole



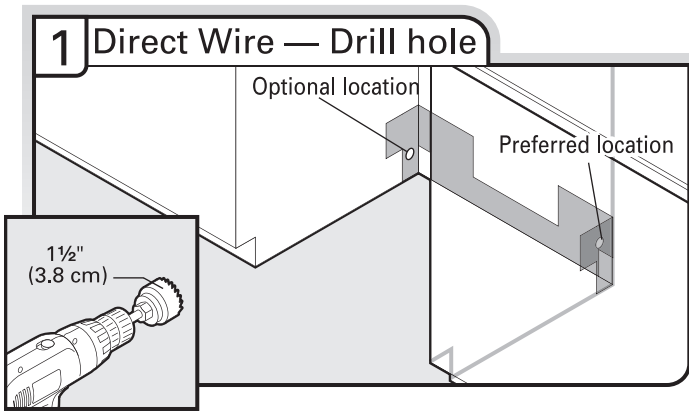
Drill a 1½" (3.8 cm) hole in cabinet side or rear.
See “Product and Cabinet Opening Dimensions” section.



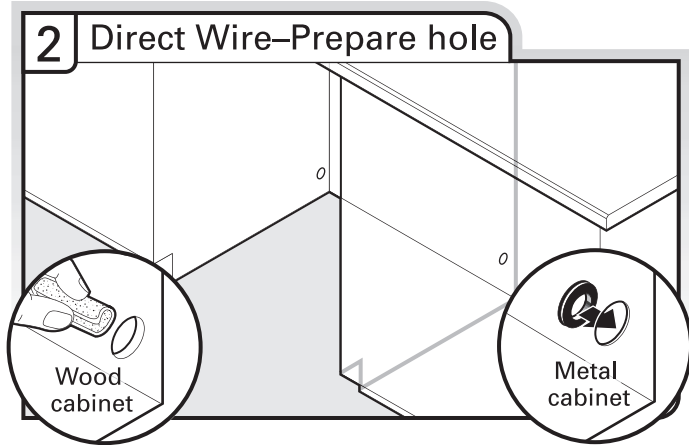
Wood cabinet: Sand the hole until smooth.
 Metal cabinet: Cover hole with grommet included with power supply cord kit.

Option B, Direct Wire:

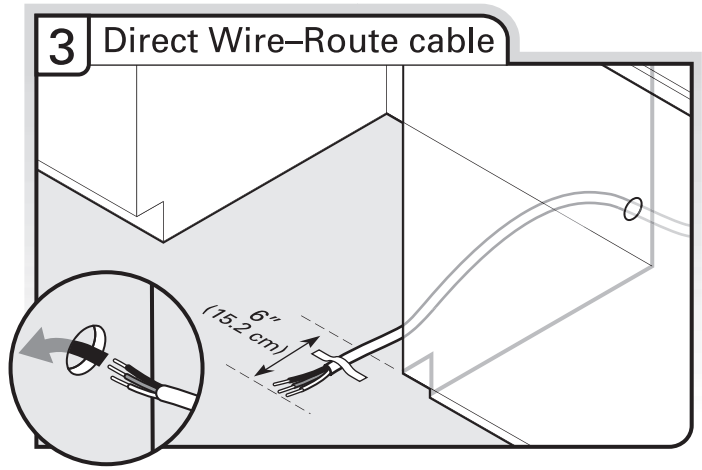
Helpful Tip: Wiring the dishwasher will be easier if you route the cable into the cabinet opening from the right-hand side.



Drill a 1 1/2" (3.8 cm) hole in right-hand cabinet side or rear. See "Product and Cabinet Opening Dimensions" section.



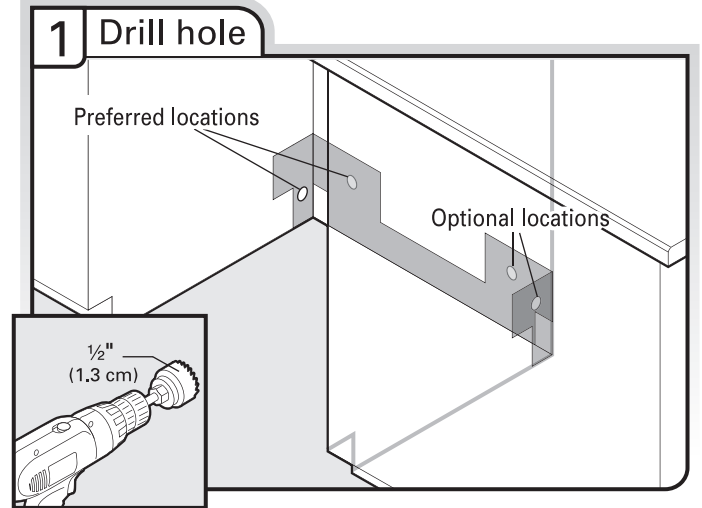
Wood cabinet: Sand the hole until smooth.
 Metal cabinet: Cover hole with grommet (Part Number 302797 - not provided).



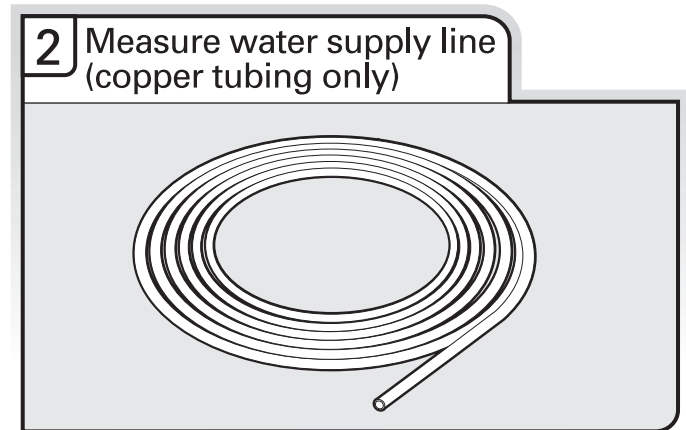
Route cable from power supply through cabinet hole (cable must extend to the right front side of cabinet opening). Tape cable to the floor in area shown. This will prohibit cable from moving when dishwasher is moved into cabinet opening.

Prepare and Route Water Line

Helpful Tip: Routing the water line through the left side of cabinet opening will make water connection easier.

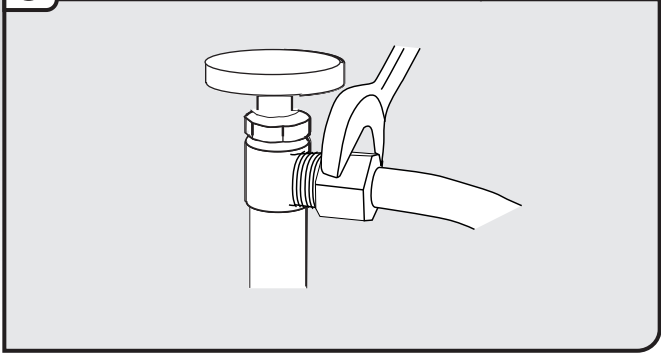


Drill a 1/2" (1.3 cm) hole in the cabinet side or rear.



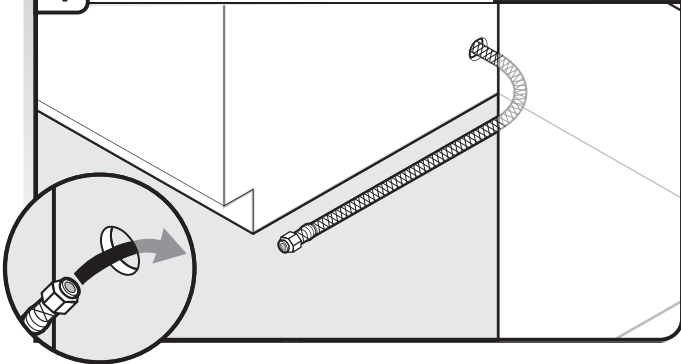
Measure overall length of copper tubing for the water supply line.

3 Attach water supply line



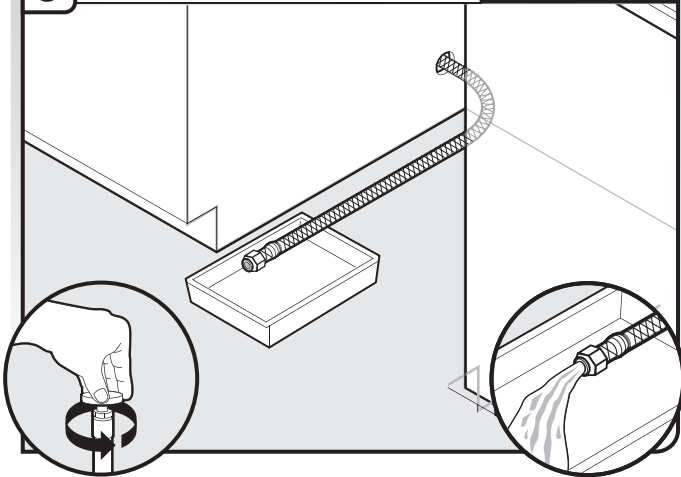
Attach the water supply line (copper tubing or flexible braided line) to the hot water line using a connection configuration that is in compliance with local codes and ordinances. The water supply to the dishwasher should have a manual shutoff valve located under the sink.

4 Route water supply line



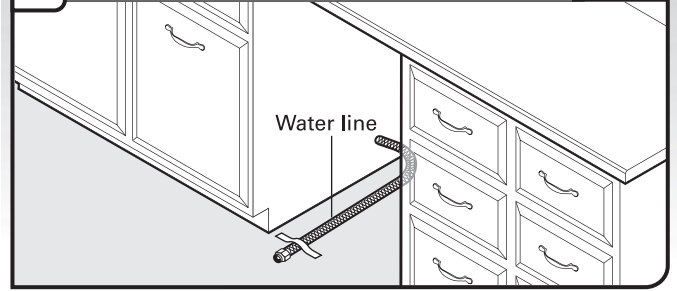
Slowly route water supply line through hole in cabinet. (If you are using copper tubing, it will bend and kink easily, so be gentle.) It should be far enough into the cabinet opening to connect it to the dishwasher inlet on the front left side of the dishwasher.

5 Flush water supply line



Slowly turn water shutoff valve to "ON" position. Flush water into a shallow pan until clear to get rid of particles that could clog the inlet valve. Turn shutoff valve to "OFF" position.

6 Temporarily secure water line

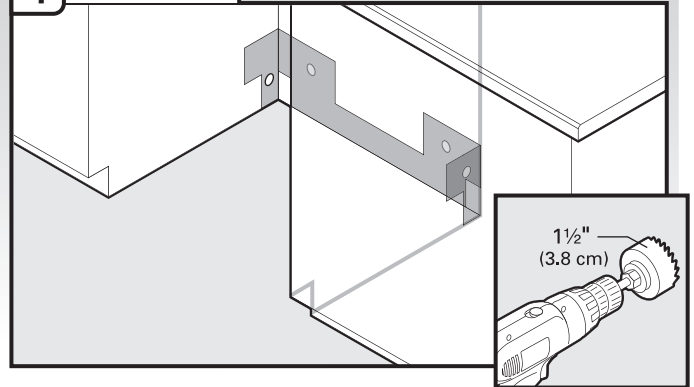


Route water line and tape it to the floor in area shown. This will keep it from moving when dishwasher is moved into cabinet opening.

Install Drain Hose

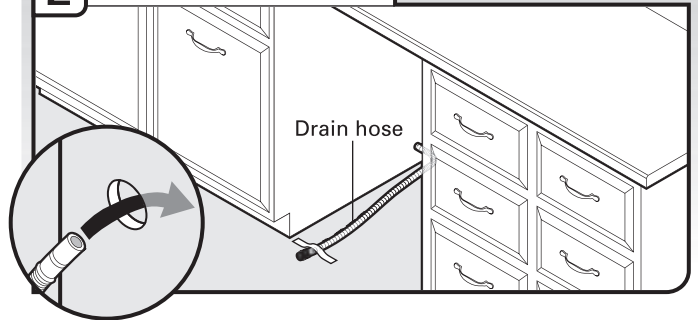
IMPORTANT: Always use a new drain hose. Check local codes to determine whether an air gap is required.

1 Drill hole



If needed, drill a 1 1/2" (3.8 cm) diameter hole in cabinet wall or side of the opening closest to the sink.

2 Route drain hose



Route drain hose as shown through hole in cabinet to the front center of opening where drain connection will be made. Tape drain hose to the floor in area shown. This will prohibit it from moving when dishwasher is moved into cabinet opening.

3 Connect drain hose

Connect drain hose to waste tee or waste disposer using one of the following options:

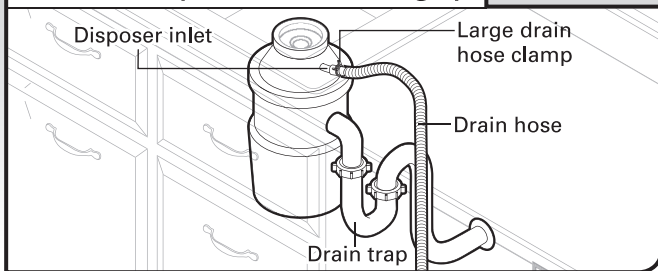
- Option A, Waste disposer – no air gap
- Option B, No waste disposer – no air gap
- Option C, Waste disposer – with air gap
- Option D, No waste disposer – with air gap

IMPORTANT: The drain hose connection of the disposer or a waste tee must be made before the drain trap and at least 20" (50.8 cm) above the floor where the dishwasher will be installed.

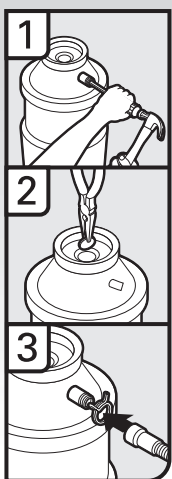
Helpful Tip: To reduce vibration of the hose, keep the hose away from the floor.

Option A, Waste disposer – no air gap

Waste disposer – no air gap



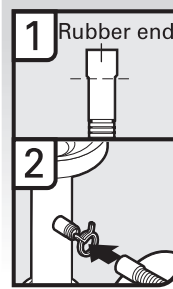
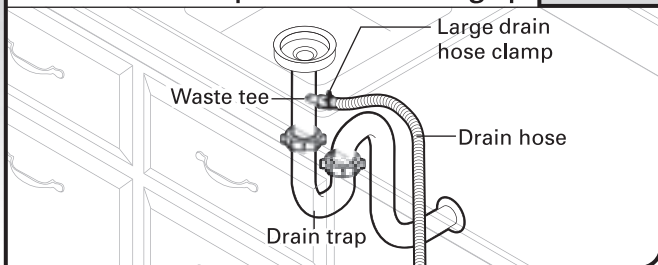
Helpful Tip: Remove disposer knock-out plug.



1. Using a hammer and screwdriver, knock plug into disposer.
2. Use needle-nose pliers to remove plug.
3. Attach drain hose to disposer inlet with large drain hose clamp (provided). Use pliers to squeeze clamp open and move into position.

Option B, No waste disposer – no air gap

No waste disposer – no air gap



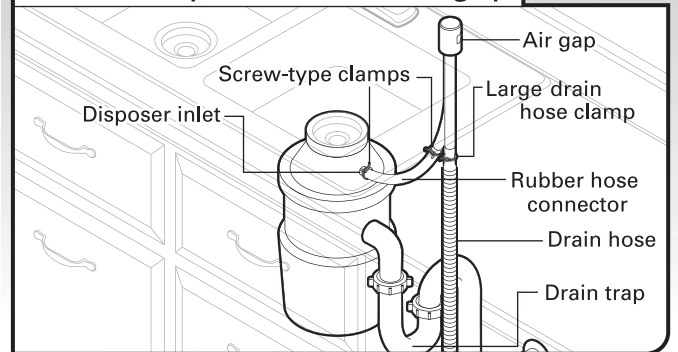
1. Fit rubber end of drain hose to waste tee and cut if needed.

NOTE: Do not cut ribbed section.

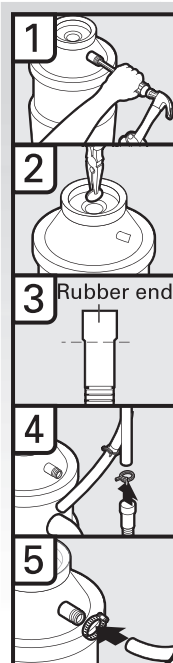
2. Attach rubber end of drain hose to waste tee with a large drain hose clamp (provided). Use pliers to squeeze clamp open and move into position. If the drain hose was cut, use a 1½" to 2" (3.8 to 5 cm) screw-type clamp (not provided).

Option C, Waste disposer – with air gap

Waste disposer – with air gap

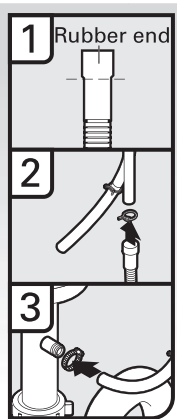
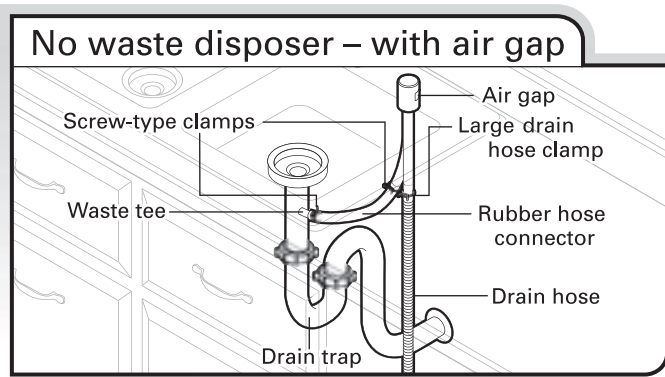


Helpful Tip: Remove disposer knock-out plug.



1. Using a hammer and screwdriver, knock plug into disposer.
2. Use needle-nose pliers to remove plug.
3. Connect rubber end of drain hose to air gap and cut if needed.
NOTE: Do not cut ribbed section.
4. Attach drain hose to air gap with large drain hose clamp (provided). Use pliers to squeeze clamp open and move into position. If the drain hose was cut, use a 1½" to 2" (3.8 to 5 cm) screw-type clamp (not provided).
5. Use a rubber hose (not provided) with screw-type clamps (not provided) to connect from air gap to disposer inlet.

Option D, No waste disposer – with air gap



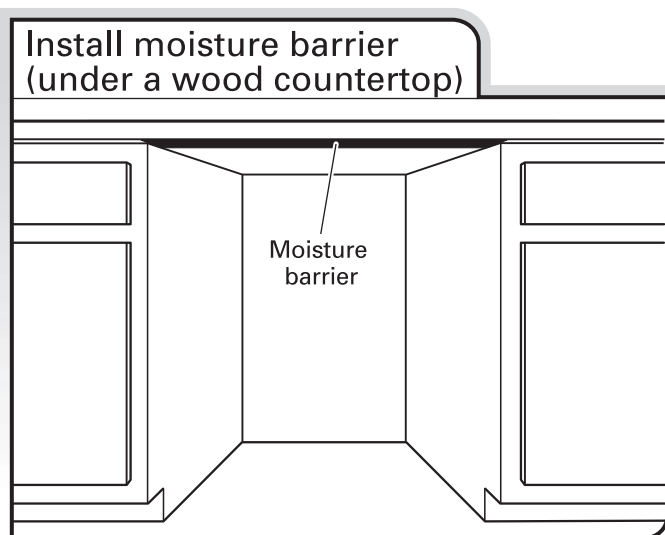
1. Connect rubber end of drain hose to air gap and cut if needed.

NOTE: Do not cut ribbed section.

2. Attach drain hose to air gap with large drain hose clamp (provided). Use pliers to squeeze clamp open and move into position. If the drain hose was cut, use a 1½" to 2" (3.8 to 5 cm) screw-type clamp (not provided).

3. Use a rubber hose (not provided) with screw-type clamps (not provided) to connect from waste tee to air gap.

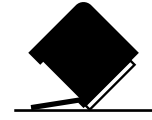
Install Moisture Barrier (under a wood countertop)



1. Make sure the area under the cabinet is clean and dry for installation of the moisture barrier.
2. Remove the backing of the moisture barrier and apply to underside of the countertop along the front edge of the counter.

Prepare Dishwasher

⚠ WARNING



Tip Over Hazard

- Do not use dishwasher until completely installed.
- Do not push down on open door.
- Doing so can result in serious injury or cuts.

⚠ WARNING

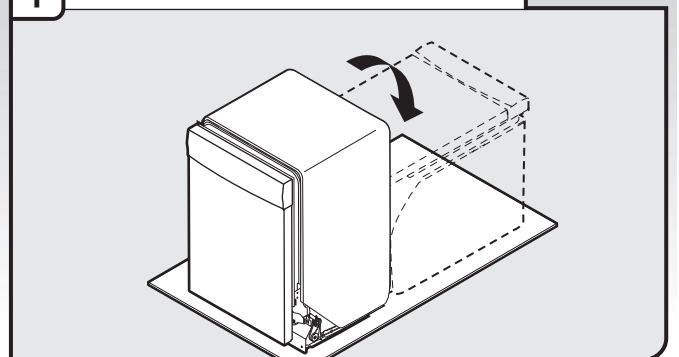
Excessive Weight Hazard

- Use two or more people to move and install dishwasher.
- Failure to do so can result in back or other injury.

Helpful Tip: Place cardboard under dishwasher until installed in cabinet opening to avoid damaging floor covering. Do not use door panel as a worktable without first covering with a towel to avoid scratching the door panel.

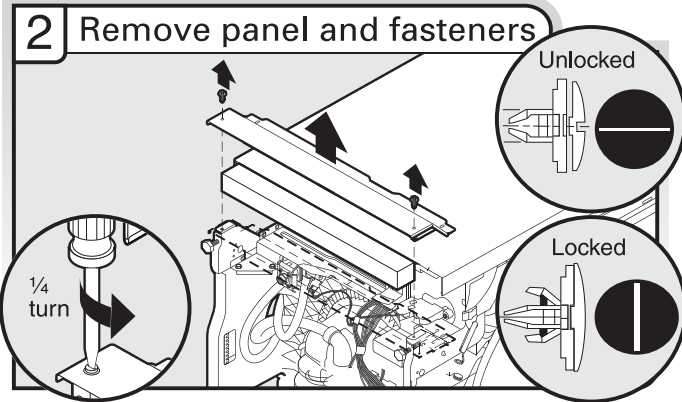
Using 2 or more people, grasp sides of dishwasher door frame and place dishwasher on its back.

1 Put dishwasher on its back



Option A, Remove Access Panel - Plastic Panel

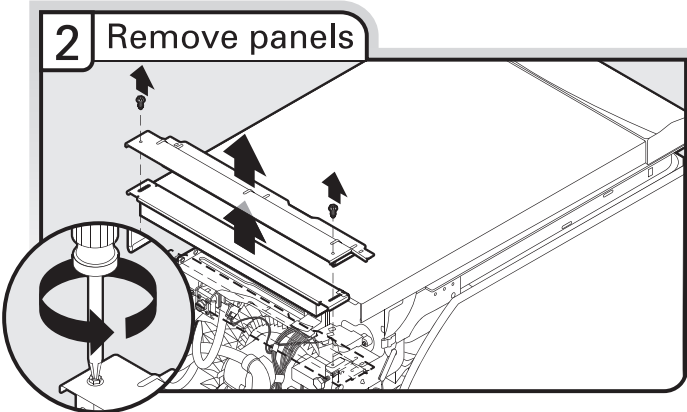
2 Remove panel and fasteners



Using a flat-blade screwdriver, turn the plastic fasteners $\frac{1}{4}$ turn counterclockwise to unlock them. Remove panel. Do not remove tech sheet from access panel.

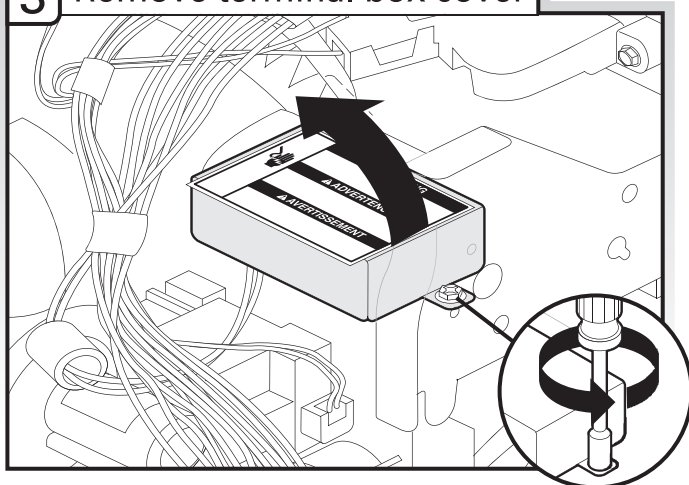
Option B, Remove Access Panel - Metal Panel

2 Remove panels



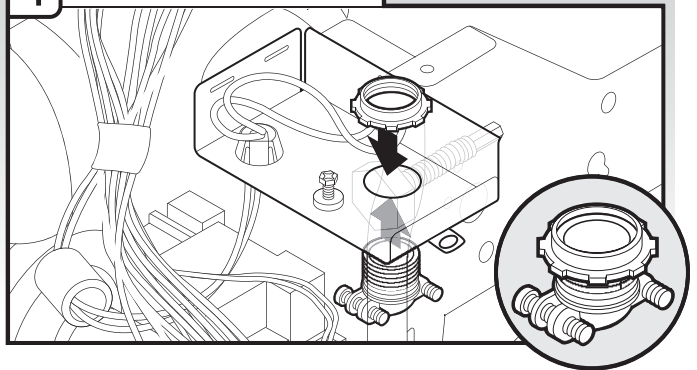
Using a $\frac{1}{4}$ " hex-head socket, nut driver or Phillips screwdriver, remove 2 screws attaching access panel and lower panel to dishwasher. Do not remove tech sheet from access panel.

3 Remove terminal box cover



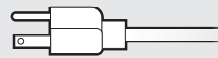
Using a $\frac{1}{4}$ " hex-head socket, nut driver or Torx® T20® screwdriver, remove terminal box cover. Retain for later use.

4 Install strain relief



Install a UL Listed/CSA Approved strain relief. Make sure screw heads are facing to the left when tightening conduit nut. Strain relief is provided with the power supply cord kit.

What type of electrical connection will you use?



Power Supply Cord:
Follow Option A instructions



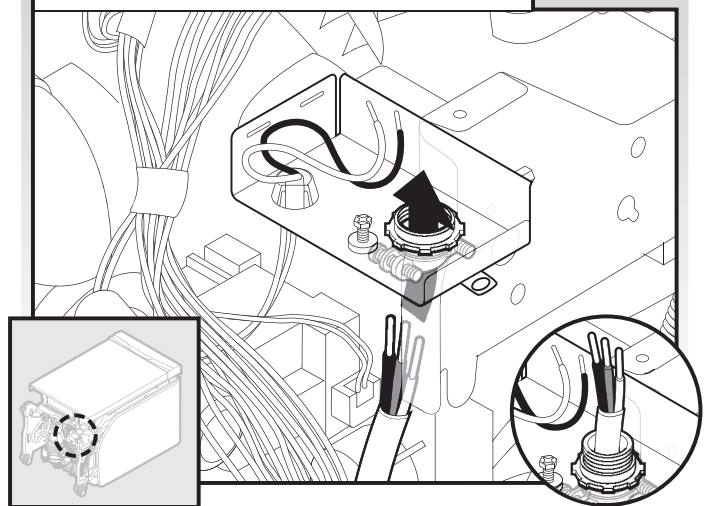
Direct Wire:
Follow Option B instructions

NOTE: If using Option B, proceed to "Determine Cabinet Opening," to continue with the installation of your dishwasher.

Make Power Supply Cord Connection

Option A, Power Supply Cord:

1 Power Cord—Route cord into terminal box



Route cord so that it does not touch dishwasher motor or lower part of dishwasher tub. Pull cord through strain relief in terminal box.

Select UL Listed/CSA Approved twist-on wire connectors rated to connect your power supply cord to 16-gauge dishwasher wiring.

⚠ WARNING



Electrical Shock Hazard

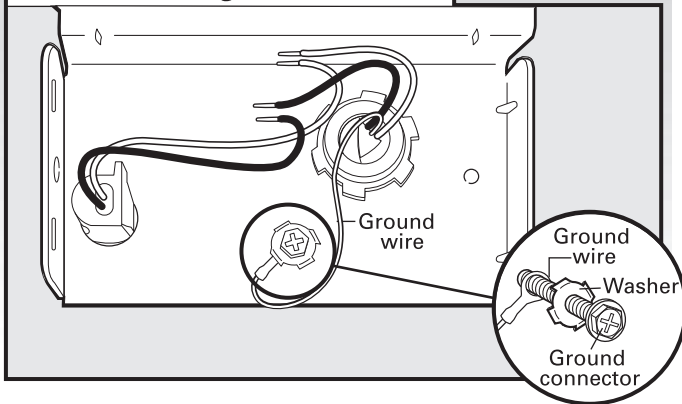
Electrically ground dishwasher.

Connect ground wire to green ground connector in terminal box.

Do not use an extension cord.

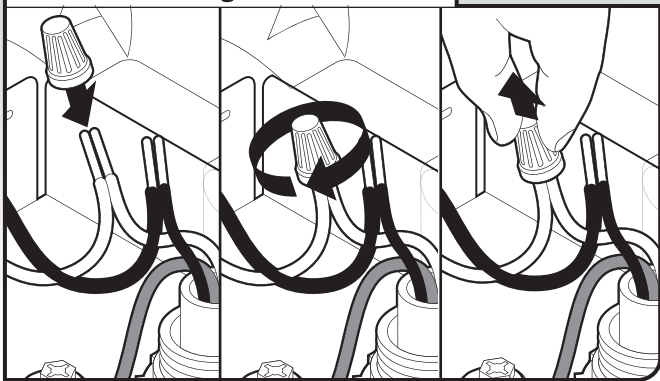
Failure to follow these instructions can result in death, fire, or electrical shock.

2 Power Supply Cord— Connect ground wire



Remove the ground connector screw and place through the ring terminal of the green ground wire. Reattach and tighten the ground connector screw.

3 Power Cord—Connect remaining wires



NOTE: Do not pre-twist stranded wire. Twist on wire connector. Gently tug on wires to be sure both are secured.

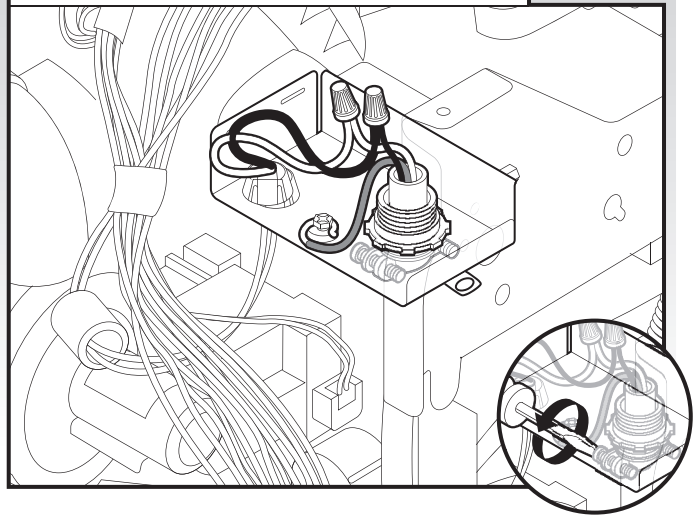
Connect wires black to black and white to white, using UL Listed/CSA Approved twist-on wire connectors.

Wiring configuration

Power supply wire:		Terminal box wire:
white	↔	white
black	↔	black
ground wire	↔	ground connector

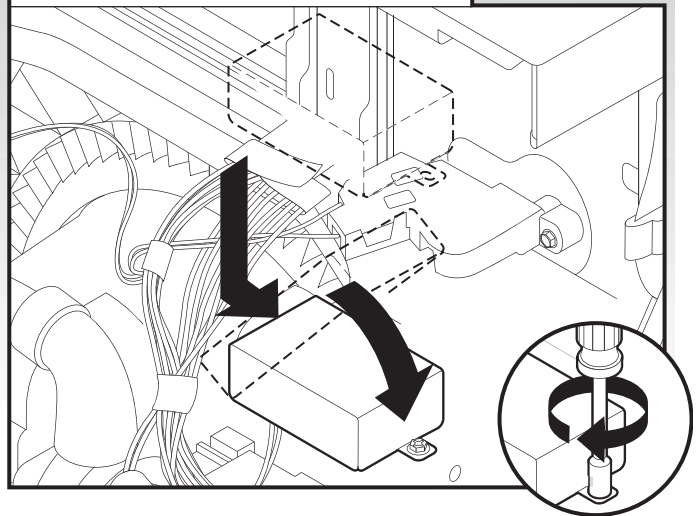
If needed, see website for animated representation of this step. Visit www.kitchenaid.com/electrical under FAQ tab.

4 Power Cord—Secure cord on strain relief



Tighten strain relief screws to secure cord.

5 Power Cord—Reinstall terminal box cover

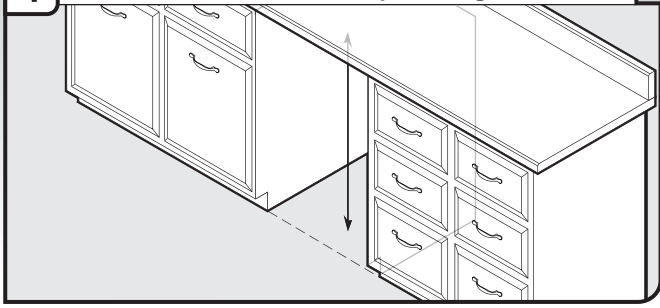


Place wires inside terminal box. Insert tabs on left side of cover. Make sure wires are tucked inside box. Close cover ensuring wires are not pinched. Use 1/4" hex-head socket, nut driver or Torx® T20® screwdriver and previously removed screw to secure cover.

NOTE: Do not plug into outlet until instructed to do so.

Determine Cabinet Opening

1 Measure cabinet opening



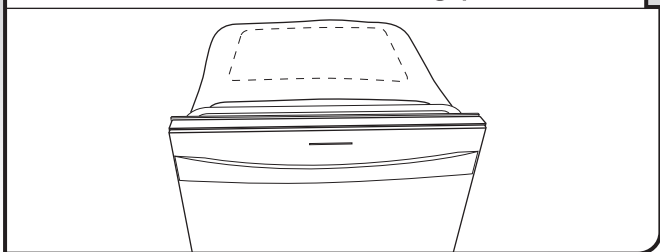
Measure height of cabinet opening from underside of countertop to floor where dishwasher will be installed (you will need to measure the lowest point on the underside of the countertop and the highest point on the floor). Refer to "Dishwasher Height Adjustment Chart" for wheel position and the number of turns needed.

NOTE: If the minimum cabinet opening height is less than 34" (86.4 cm), the rear wheels can be removed for additional clearance. This will allow the dishwasher and perforated section of the insulation blanket to fit into a 33½" (85.1 cm) high cabinet opening, but the dishwasher will be more difficult to move. Measurements are approximate. Wheels and legs are preset at the factory for 34½" (87.6 cm).

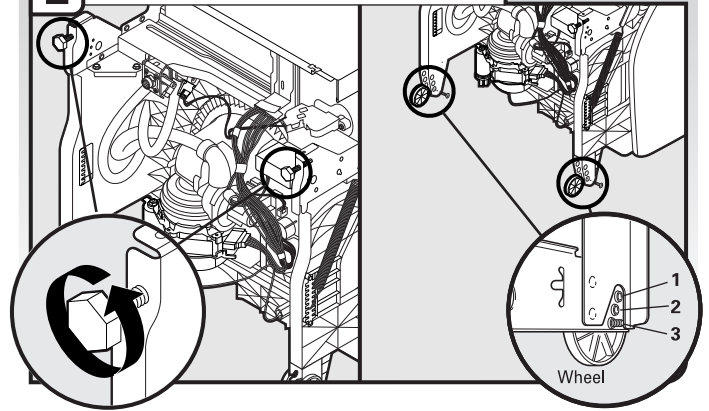
Dishwasher Height Adjustment Chart

Cabinet opening height	Wheel position	Number of turns on front leg
33½" (85.1 cm)	Removed	All the way up
34" (86.4 cm)	1	10
34¼" (87.0 cm)	2	5
34½" (87.6 cm)	3	0

Cut insulation blanket along perforation

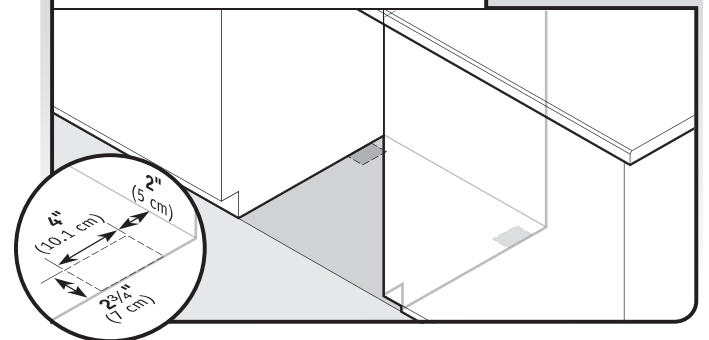


2 Adjust wheels and legs



Turn both leveler legs to the same height. Put wheels in the required position determined from "Dishwasher Height Adjustment Chart."

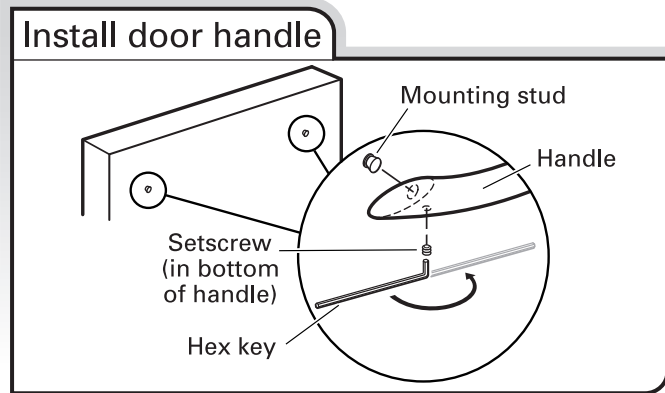
3 Built-up Floors—Add shims as needed



Built-up floors: If the kitchen floor is higher than the cabinet opening's floor - for example, the kitchen floor tile does not extend into the cabinet opening - add shims as needed in the area shown to bring the dishwasher up to 34" (86.4 cm) below the countertop.

NOTE: Shims must be securely attached to floor to avoid movement when the dishwasher is in use.

Install Door Handle (on some models)



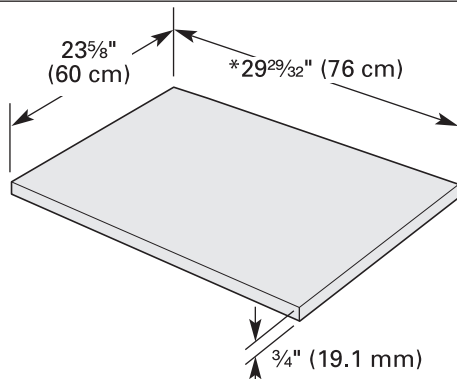
IMPORTANT: Do not scratch the front panel during this procedure.

Remove the door handle and hardware bag containing the setscrews and hex key from the cardboard box. Setscrews are already installed in the handle. Place handle on mounting studs with the setscrews facing down. Push the door handle tightly against the door. Insert the short end of the hex key into the setscrews. Tighten the setscrews $\frac{1}{4}$ turn past snug.

Retain hex key with Installation Instructions.

Custom Panel Dimensions

Custom panel dimensions—Dishwashers with control panel on the top



* This dimension is for 4" (10.2 cm) toe kick. If the installation needs a higher toe kick, adjust the height of the wood panel accordingly except on models with ProDry™. Not recommended for toe kicks greater than 6" (15.2 cm).

Install Custom Panel

Follow steps below:

A customer supplied panel must weigh no more than 16 lbs (7.3 kg) and must be made to specific dimensions. It is recommended that a cabinetmaker cut the customer panel because of the precise dimensions needed.

NOTES:

- The handle for the custom panel is not included.
- All mounting hardware supplied is for a $\frac{3}{4}$ " (19.1 mm) thick wood panel. If a thinner wood panel or materials other than wood are used, it is the customer's responsibility to obtain the proper length screws and adjust the pilot holes accordingly.

IMPORTANT: Use a moisture-resistant sealer on both sides and all edges of the panel to avoid damage from moisture.

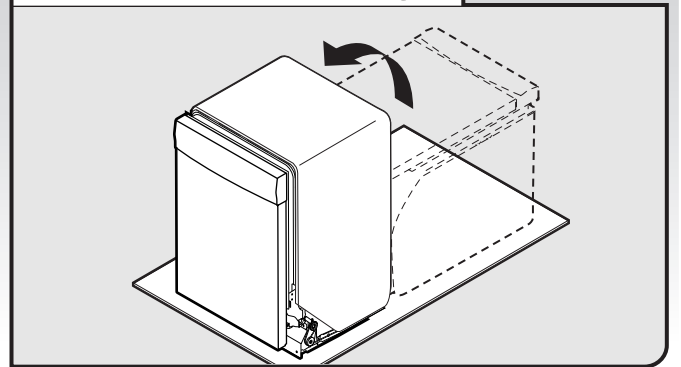
⚠ WARNING

Excessive Weight Hazard

Use two or more people to move and install dishwasher.

Failure to do so can result in back or other injury.

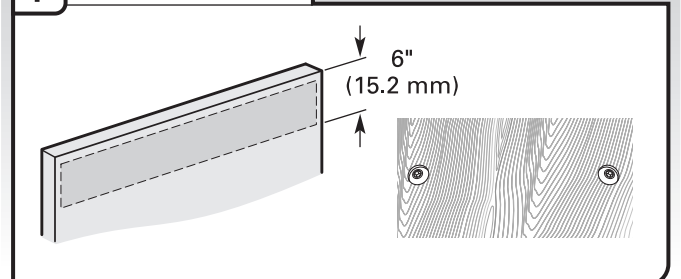
Stand dishwasher upright



Using 2 or more people, stand the dishwasher up.

NOTE: Do not install kick plate until instructed to do so.

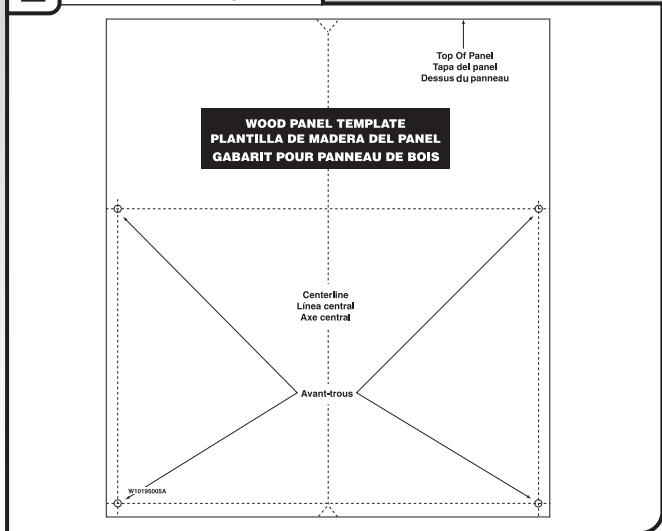
1 Attach handle



Install the custom hardware handle(s) on the front of the wooden panel inside dotted line.

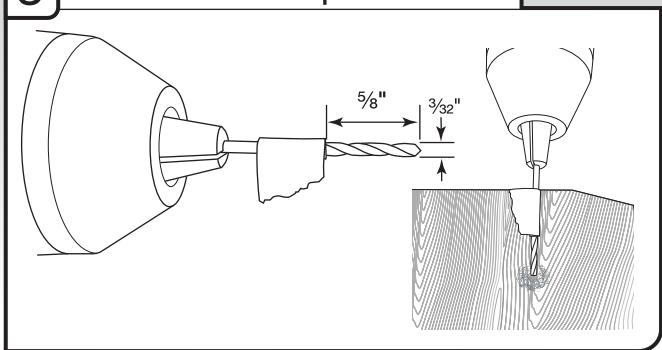
IMPORTANT: If the handle is attached from the back of the custom panel, the screw heads should be countersunk for the screws heads to be flush with the panel. If the handle is attached to the front of the custom panel, the screw lengths cannot exceed the panel thickness.

2 Panel template



Using the template provided, attach it to the backside of the custom panel with tape. Make sure that the center of the template is aligned with the center of the wooden panel and top of the template is aligned to the top face of the wooden panel.

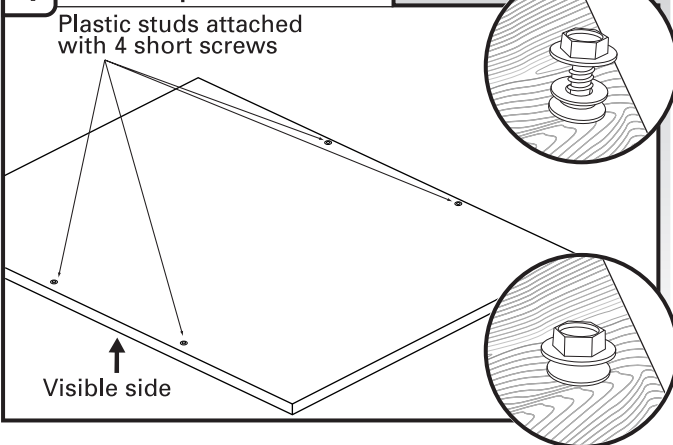
3 Predrill custom panel holes



NOTE: Do not drill deeper than $\frac{5}{8}$ " (16 mm) to keep from drilling through panel. Pilot hole depths given are for $\frac{3}{4}$ " (19 mm) thick panel.

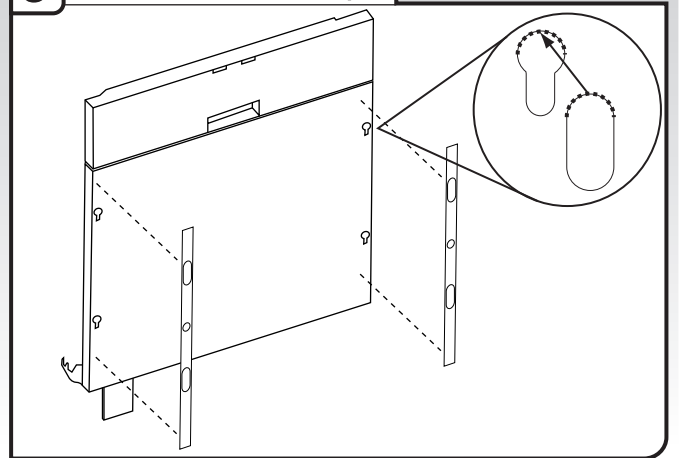
Mark 4 pilot holes on the wooden panel using the template provided. Predrill 4 pilot holes using a $\frac{3}{32}$ " drill bit. Use tape to mark the drill bit to gauge hole depth. Drill pilot holes approximately $\frac{5}{8}$ " (16 mm) into the custom panel.

4 Attach plastic studs



Attach the 4 plastic studs to the wooden panel using the 4 short hex-head ($\frac{5}{16}$ ") screws provided.

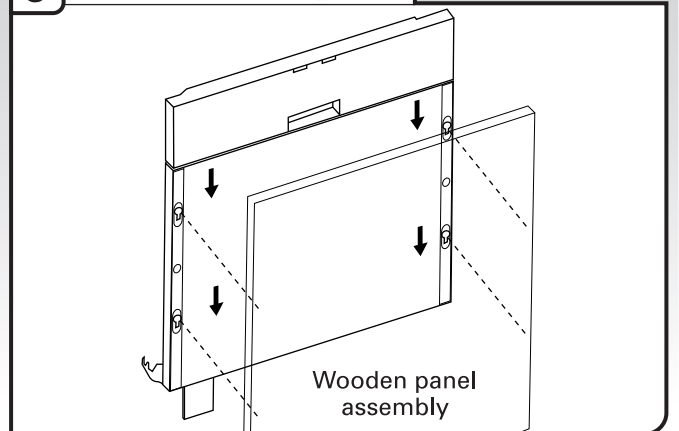
5 Attach custom tape



Check custom tape alignment with metal door slots; verify tape is right-side up, and that the tape does not overhang the metal door on the top, bottom or side interfaces. Remove the backing from the custom tape by pulling straight down on the liner. Align the custom tape to the keyhole slots on the metal door (see image) and apply. Repeat steps for one side and then the other.

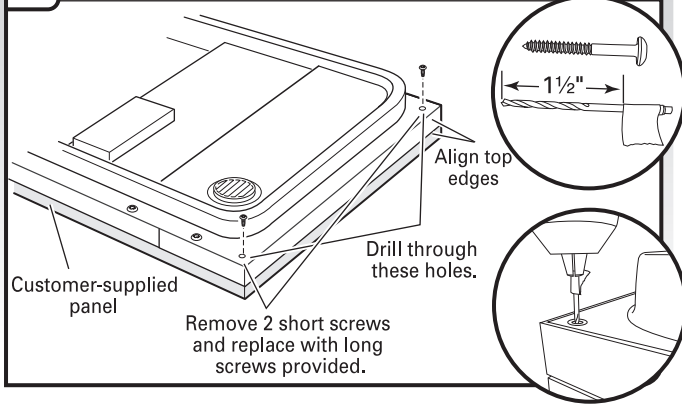
NOTE: The adhesive on the tape is aggressive, so proper alignment and attachment to the metal door needs to occur on the first try.

6 Attach custom panel



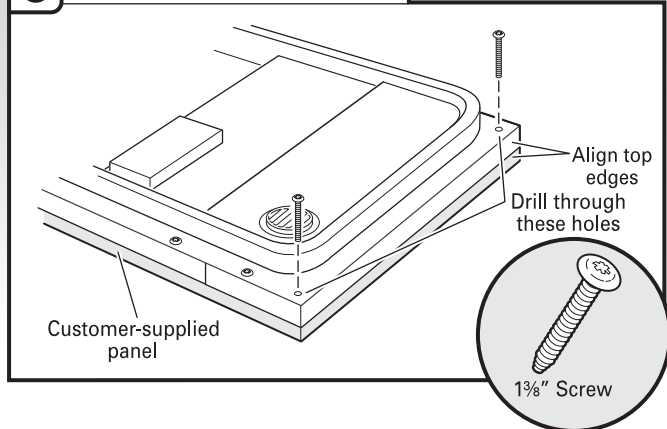
Align the studs on the custom wood panel to the keyhole slots on the door assembly. Ensure that all 4 plastic studs are engaged in the keyhole slots. Slide wood panel down until the top surface of the wooden panel is flush with the top of the door.

7 Align top edges of panel to door



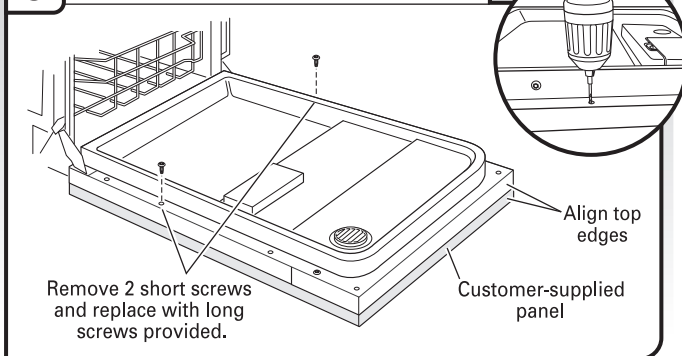
Open the door and align top edges. Predrill 2 pilot holes using a $\frac{3}{32}$ " drill bit. Use tape to mark the drill bit to gauge hole depth. Drill pilot holes approximately $1\frac{1}{2}$ " (3.8 cm) into the top corners of the door using hole in liner as a guide.

8 Install custom panel



Using a Torx® T15® screwdriver, install two #8 x $1\frac{1}{8}$ " screws in top corners to secure custom wood panel in place.

9 Remove the short screws



Remove the short screws (3rd from top) on either side of the inner door panel. Predrill 2 pilot holes using a $\frac{3}{32}$ " drill bit. Use tape to mark the drill bit to gauge the hole depth. Drill pilot holes approximately $1\frac{1}{2}$ " (3.8 cm) using the door liner hole as a guide into the panel. Install the 2 remaining long screws.

Choose Attachment Option

⚠ WARNING

Excessive Weight Hazard

Use two or more people to move and install dishwasher.

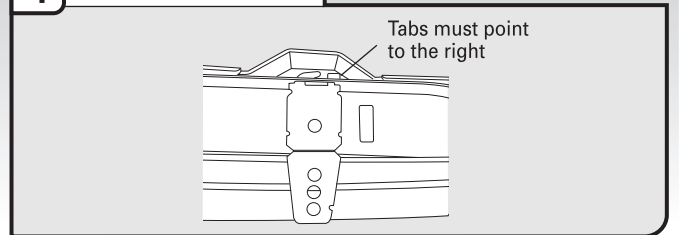
Failure to do so can result in back or other injury.

Use 2 or more people to move and install dishwasher.

IMPORTANT: The dishwasher must be secured to the cabinet. There are two brackets found in the parts bag. Attach the brackets using Option A if the countertop is wood, laminate or another similar surface. If your countertop is marble, granite or another hard surface, install using Option B.

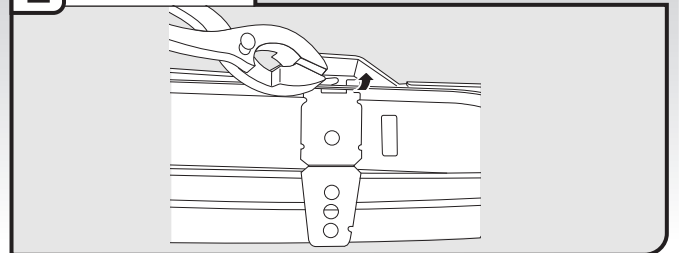
Option A, Countertop attachment:

1 Insert bracket



Remove the brackets from the package and insert into the open slots on the left and right-hand top of the dishwasher collar as shown.

2 Bend tab



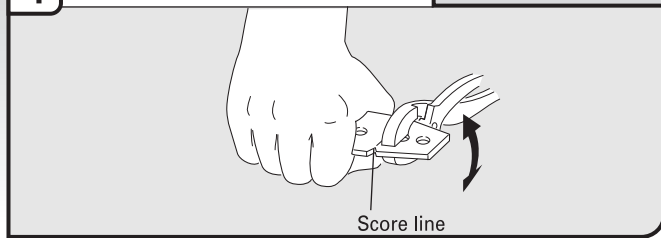
Using a pair of pliers, bend the tab down to secure the bracket in place. Repeat this step for the other side.

NOTE: Do not attach the dishwasher. This will be done later.

Option B, Dishwasher side attachment:

NOTE: Remove the brackets from the parts package.

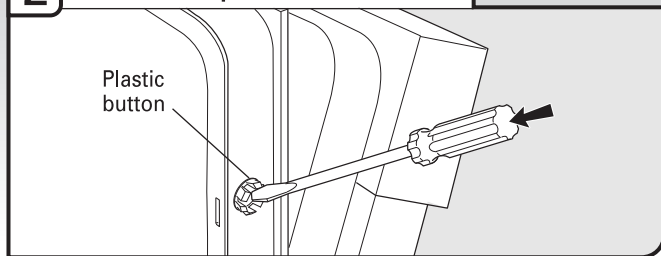
1 Break end of bracket



Break off the end of the bracket along the scored line.

With another person holding the rear of the dishwasher to keep it from tipping, open dishwasher door and place towel over pump assembly and spray arm of dishwasher. This will keep screws from falling into pump area when you are securing dishwasher to cabinet.

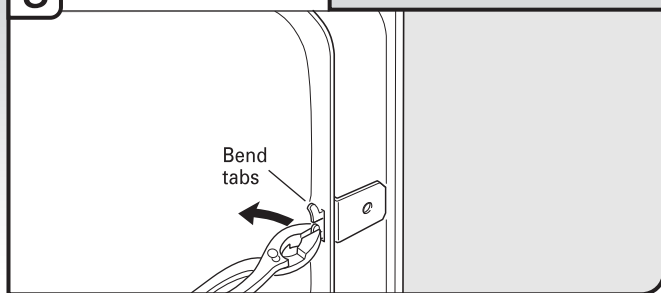
2 Remove plastic buttons



Push the plastic buttons out of the side of the tub.

NOTE: Save the buttons to cover the holes after dishwasher is installed.

3 Install bracket

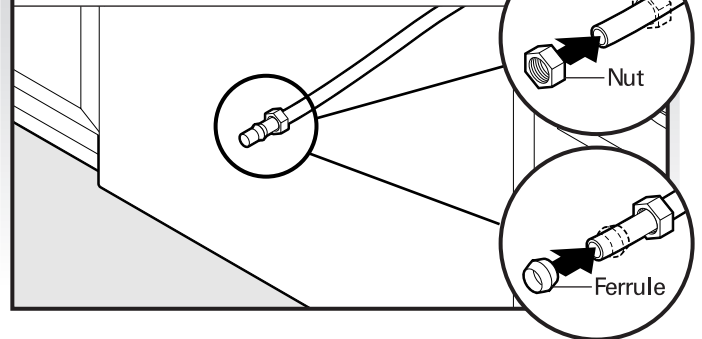


Push bracket into slot on the side of dishwasher, and bend tab in toward the side of the dishwasher so that it keeps the bracket in place. Repeat this step for the other side of the dishwasher.

NOTE: Do not attach the dishwasher. This will be done later.

Prepare Water Supply Line

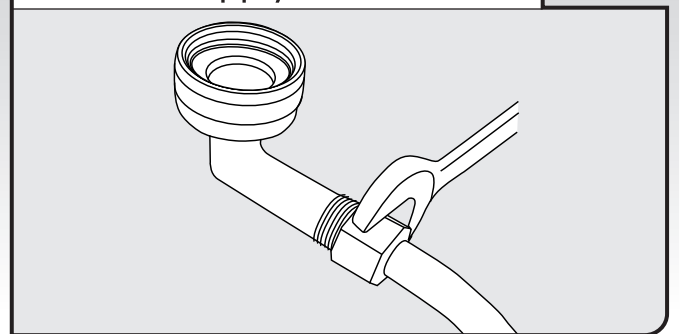
1 Slide nut and ferrule onto tubing (copper tubing only)



Copper tubing only: Slide nut, then ferrule, about 1" (2.5 cm) onto copper tubing.

NOTE: To avoid vibration during operation, route the water supply line so that it does not touch the dishwasher base, frame or motor.

2 Add 90° elbow fitting to the water supply line



Connect the $\frac{5}{8}$ " compression fitting of the 90° elbow to the water supply line prior to installing the unit into the cabinet opening. Attach such that the $\frac{3}{4}$ " connection is facing upward as shown above.

Copper tubing only: Put the tubing into the 90° elbow fitting as far as it will go (the copper tubing bends and kinks easily). Slide the nut and ferrule forward and start the nut onto the elbow threads.

Flexible braided connection: Secure nut to elbow using $\frac{5}{8}$ " open ended wrench or adjustable wrench.

NOTE: Do not use Teflon[®] tape with compression fittings.

Move Dishwasher Close to Cabinet Opening

⚠ WARNING

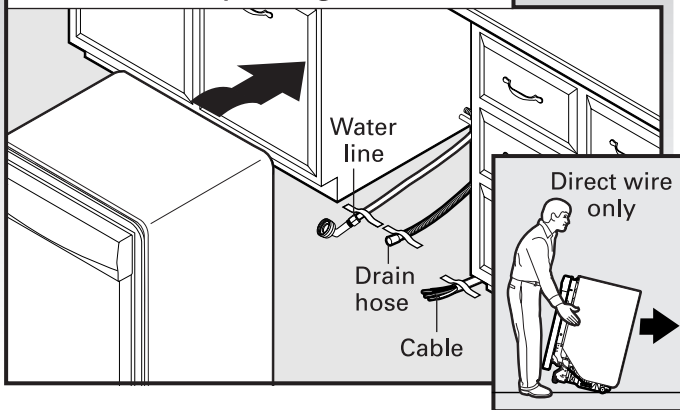
Excessive Weight Hazard

Use two or more people to move and install dishwasher.

Failure to do so can result in back or other injury.

Use 2 or more people to move and install dishwasher.

1 Move dishwasher close to cabinet opening

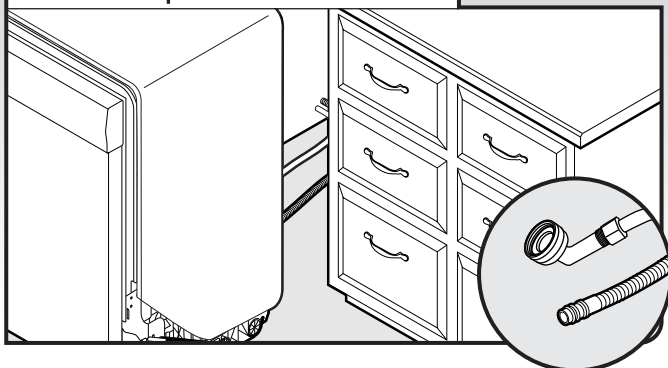


IMPORTANT: Double-check correct placement of utilities. Grasp the sides of the dishwasher at the edges of the door panel. Tilt dishwasher backward on wheels and move dishwasher close to cabinet opening.

NOTE: Do not push on the front of the panel or on the console. Panel or console may dent.

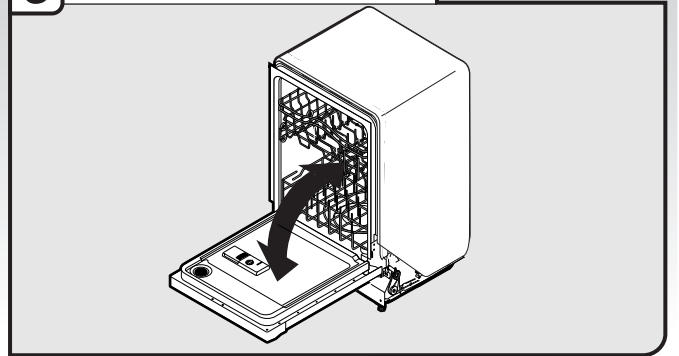
Helpful Tip: Temporarily tape utilities to the floor in the locations shown to prohibit them from moving when dishwasher is moved into the cabinet opening.

2 Check water and drain hose position



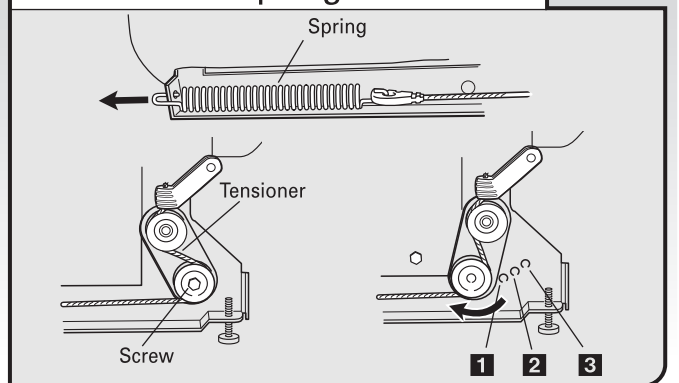
Check that water line is on the left side of opening and drain hose is near the center of the cabinet opening.

3 Open and close door



With another person holding the dishwasher to keep it from tipping, open and close the door a few times. If the door closes or falls open under its own weight, the door tension will need to be adjusted.

4 Closes too quickly— Decrease spring tension



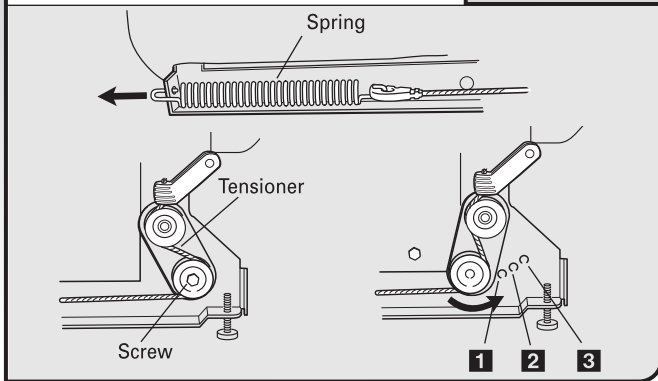
To adjust the door spring tension, unhook the spring from the rear leg of dishwasher.

Using a $\frac{5}{16}$ " nut driver or hex socket, remove the screw from the tensioner.

The screw can be put into one of 3 holes (1, 2, 3) in the front leg of dishwasher. If the door closes by itself, move the tensioner to a lower-numbered hole and replace screw. Reattach door spring to rear leg.

NOTE: Tensioners on both sides of dishwasher should be secured at same holes.

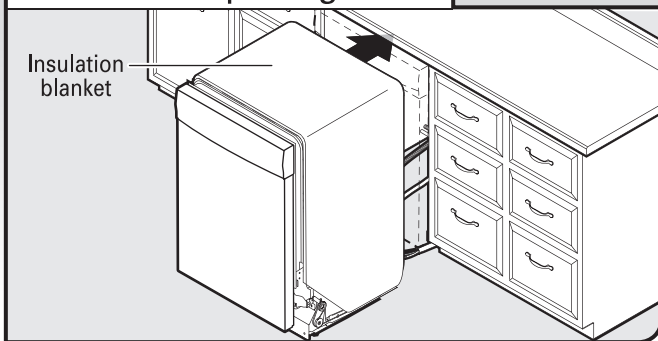
5 Door falls open— Increase spring tension



When door is unlatched, if door opens by itself, move the tensioner to a higher-numbered hole and replace the screw. Reattach door spring to rear leg.

NOTE: Tensioners on both sides of dishwasher should be secured at same holes.

6 Move dishwasher into cabinet opening

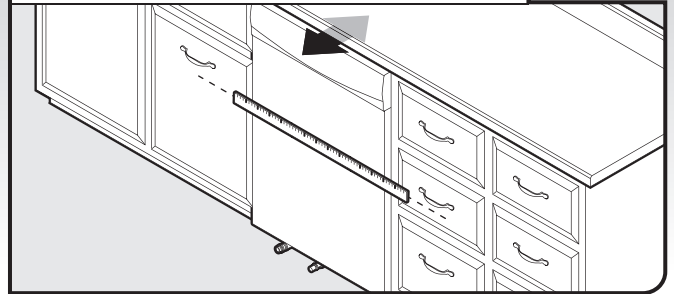


IMPORTANT: If wheels were removed, cover the floor when moving the dishwasher. Slowly move dishwasher completely into cabinet opening. Do not kink or pinch water line, drain hose, power supply cord or direct wire between dishwasher and cabinet. Remove cardboard from under dishwasher.

NOTES:

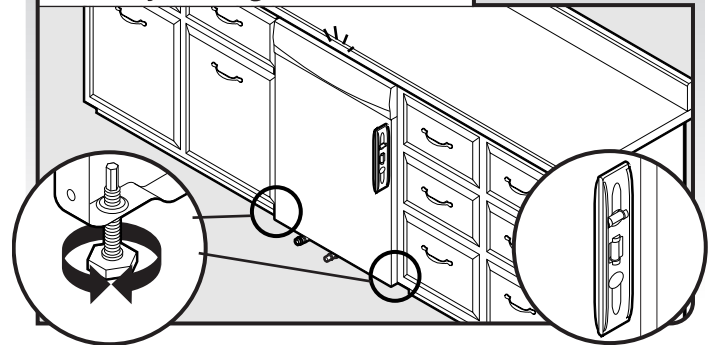
- It is all right if dishwasher fits tightly into cabinet opening. Do not remove insulation blanket – the blanket reduces the sound level.
- If using power cord, make sure to route end through hole in cutout before sliding dishwasher into cabinet opening.
- For models with water softener, make sure that the drain hose stays on the hanger that is on the right-hand side and is tucked in on the side of the unit.

7 Align front of dishwasher with front of cabinet doors



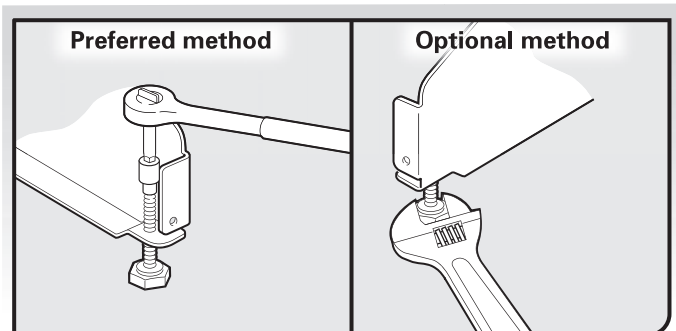
Align front of dishwasher door panel with front of cabinet doors. You may need to adjust alignment to be even with your cabinets.

8 Check for plumb and adjust legs if needed

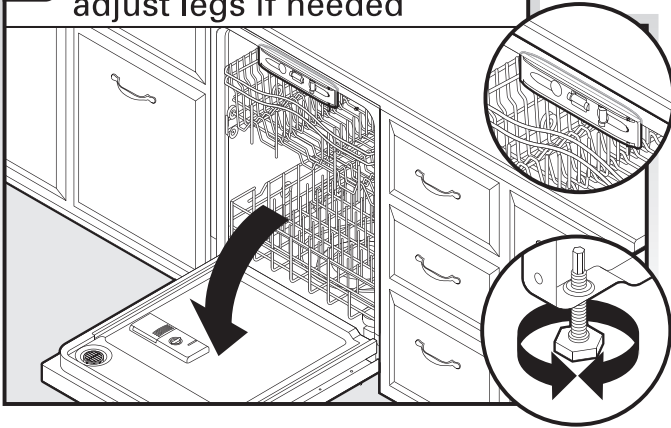


Check that leveling legs are firmly against the floor. Close and latch the door, and place level against the front panel. Check that dishwasher is centered from front to back in the opening. If needed, adjust leveling leg until dishwasher is plumb. Repeat for other side of dishwasher.

Helpful Tip: Push up on front of dishwasher to raise dishwasher off the ground to adjust front legs. With some installations, it may be easier to adjust the front leg using the $\frac{3}{16}$ " hex-head socket or adjustable wrench.



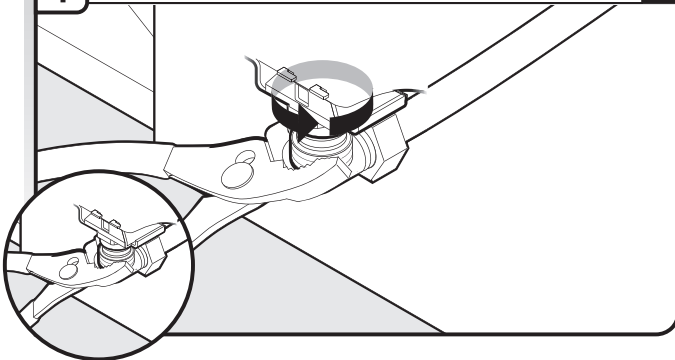
9 Check level side-to-side and adjust legs if needed



Place level against top front opening of tub. Check that dishwasher is level from side-to-side. If dishwasher is not level, adjust front legs up or down until dishwasher is level.

Connect to Water Supply

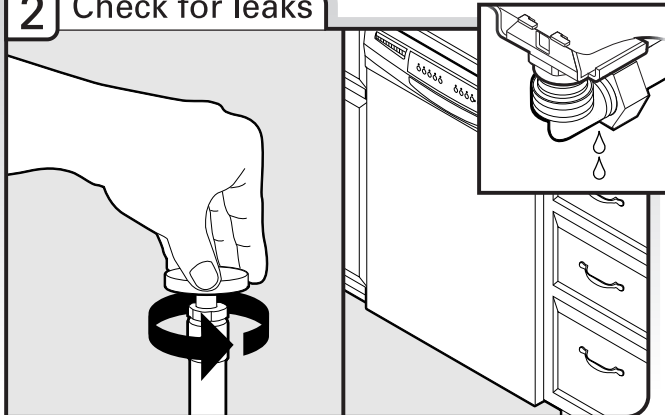
1 Tighten 90° elbow fitting to valve



Be sure rubber washer is properly seated in fitting. Slide the 3/4" fitting of the 90° elbow up to the valve and hand tighten to avoid cross-threading. Hand tighten until the coupling is tight. Using pliers, check the tightness of the coupling. An additional 1/4 to 1/2 turn may be required to seal the rubber gasket.

NOTE: Do not overtighten. Damage to the coupling can result.

2 Check for leaks



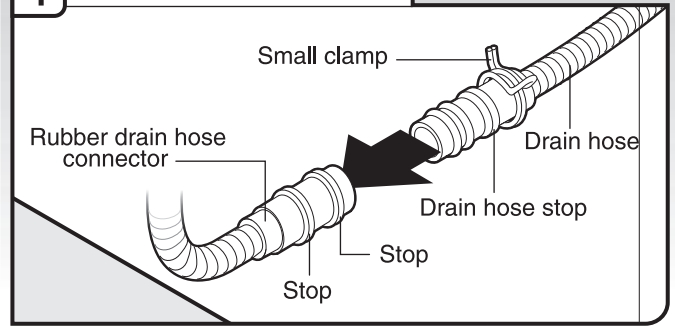
Place paper towel under 90° elbow fitting. Turn on water supply and check for leaks. If leak occurs, repeat previous step.

If needed, see website for animated representation of this step. Visit www.kitchenaid.com/watersupply under FAQ tab.

NOTE: Do not use Teflon® tape with compression fittings.

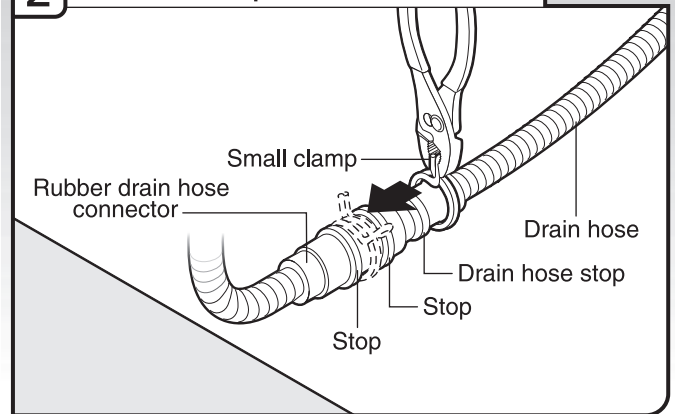
Connect to Drain

1 Connect drain hose



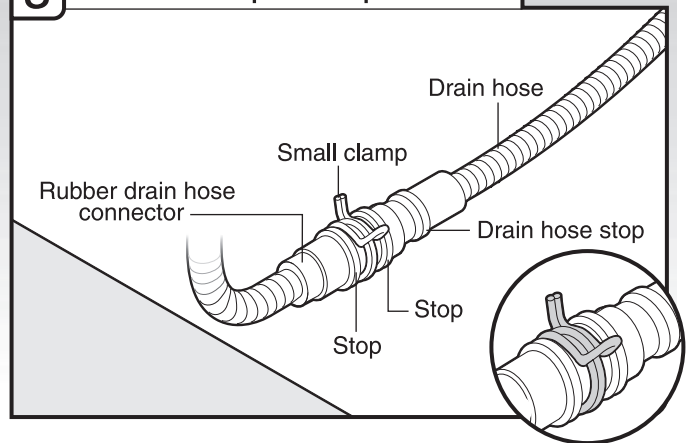
Place towel under drain hose to catch any water in drain hose. Place the small drain hose clamp onto the small end of the drain hose. Push the new drain hose into the rubber drain hose connector up to the drain hose stop.

2 Slide clamp onto connector



Using pliers, squeeze open the small drain hose clamp and slide onto connector between stops.

3 Hose clamp final position



After hose is connected, remove towel.

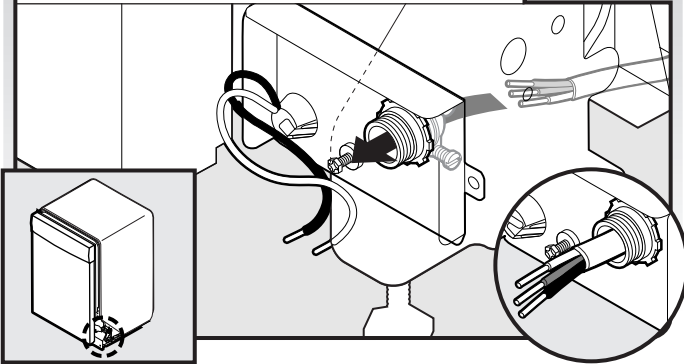
If needed, see website for animated representation of this step. Visit www.kitchenaid.com/drain under FAQ tab.

Make Direct Wire Electrical Connection

NOTE: If the power supply cord was connected earlier, proceed to "Secure Dishwasher in Cabinet Opening" section.

Option B, Direct Wire:

1 Direct Wire—Route cable into terminal box



Route cable so that it does not touch dishwasher motor or lower part of dishwasher tub. Pull cable through UL Listed/CSA Approved strain relief in terminal box. Strain relief is not supplied with the dishwasher. Owner must purchase a $\frac{3}{8}$ " screw-in type strain relief.

Select UL Listed/CSA Approved twist-on wire connectors (not included) rated to connect your household wiring to 16-gauge dishwasher wiring.

⚠ WARNING



Electrical Shock Hazard

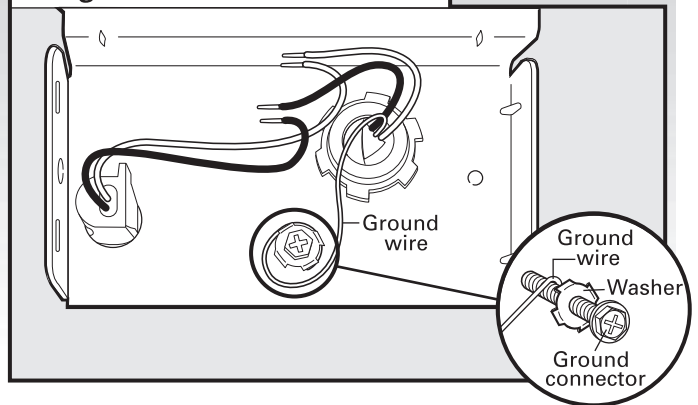
Electrically ground dishwasher.

Connect ground wire to green ground connector in terminal box.

Do not use an extension cord.

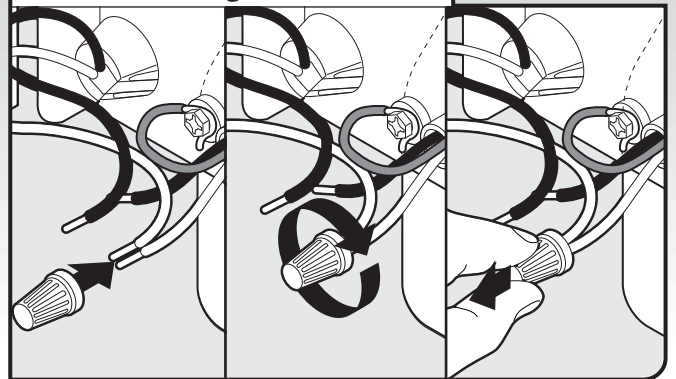
Failure to follow these instructions can result in death, fire, or electrical shock.

2 Direct Wire—Connect ground wire



Form bare ground wire into a U-shaped hook. Wrap ground wire hook clockwise around ground connector screw and under the washer. Securely tighten ground connector.

3 Direct Wire—Connect remaining wires



NOTE: Twist on UL Listed/CSA Approved wire connector. Gently tug on wires to be sure both are secured.

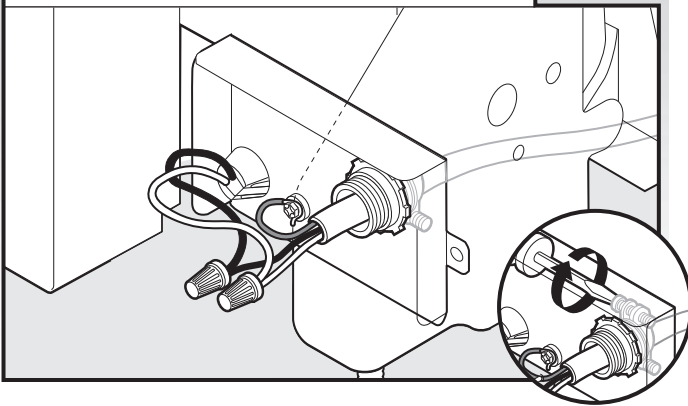
Connect wires black to black and white to white, using UL Listed/CSA Approved twist-on wire connectors (not included).

Wiring configuration

Power supply wire:		Terminal box wire:
white	←→	white
black	←→	black
ground wire	←→	ground connector

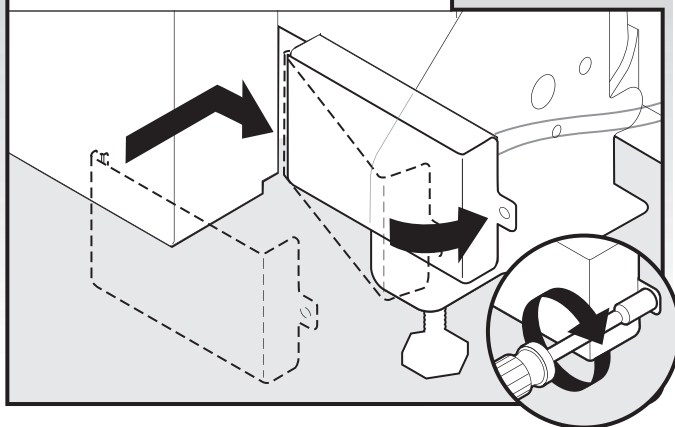
If needed, see website for animated representation of this step. Visit www.kitchenaid.com/electrical under FAQ tab.

4 Direct Wire—Secure cable in strain relief



Tighten strain relief screws to secure cable.

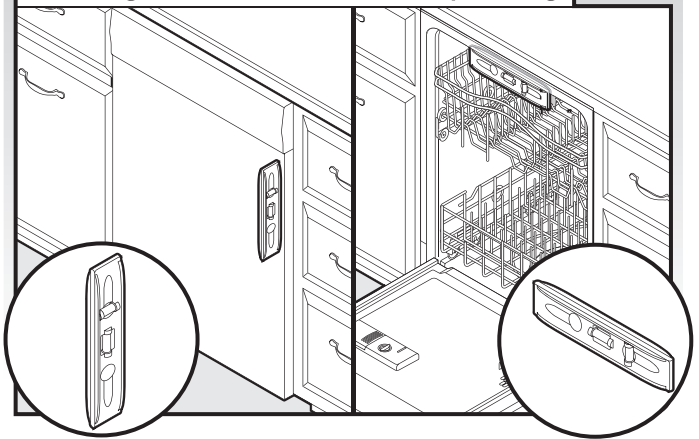
5 Direct Wire—Reinstall terminal box cover



Place wires inside terminal box. Insert tabs on left side of cover. Make sure wires are tucked inside box. Close cover ensuring wires are not pinched. Use 1/4" hex-head socket, nut driver or Torx® T20® screwdriver and previously removed screw to secure cover.

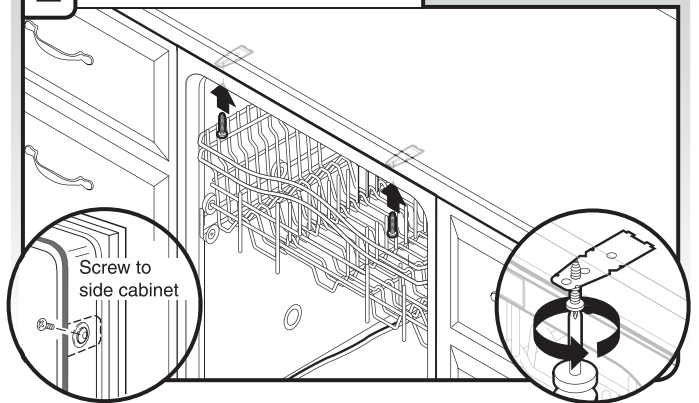
Secure Dishwasher in Cabinet Opening

1 Double-check dishwasher alignment in cabinet opening



Check that dishwasher is still level front-to-back and side-to-side in cabinet opening.

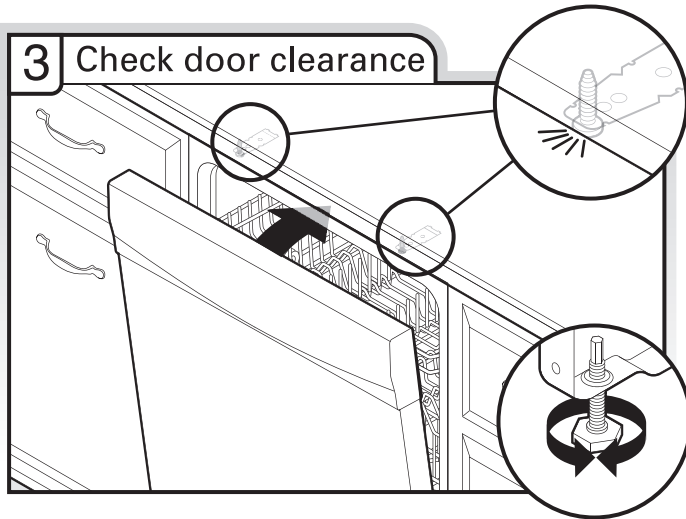
2 Secure dishwasher



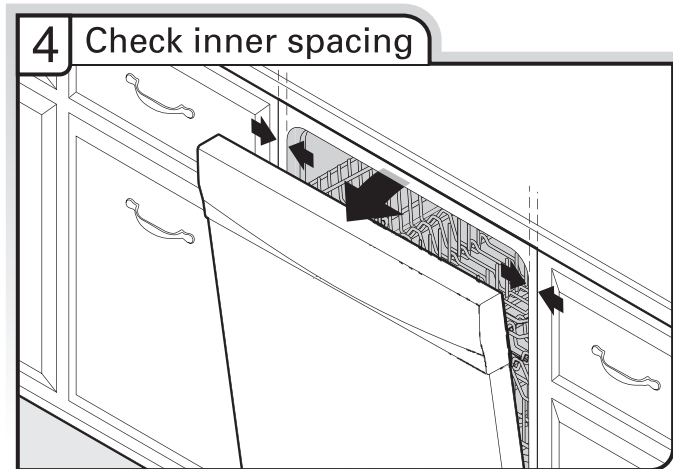
Open dishwasher door to prepare for securing the dishwasher to the cabinet.

NOTES:

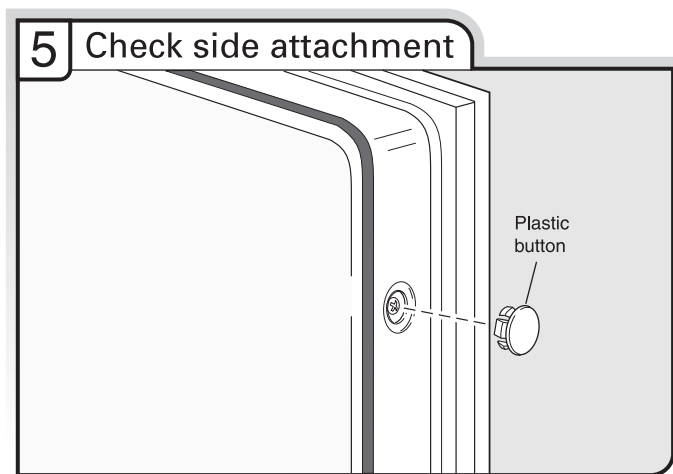
- Do not drop screws into bottom of dishwasher.
- If side mounting, you must drill pilot holes in cabinet to avoid splitting the wood before installing screws. Locate brackets on top of dishwasher and secure dishwasher to countertop with two #10 x 1/2" Phillips-head screws (included). The dishwasher must be secured to keep it from shifting when door is opened.



Check that top of door does not contact screws, brackets or countertop. If it does, adjust leveling legs.



Open door and check that space between dishwasher cabinet opening and tub is equal on both sides. If spacing is not equal, loosen bracket screws and shift tub. Tighten bracket screws.

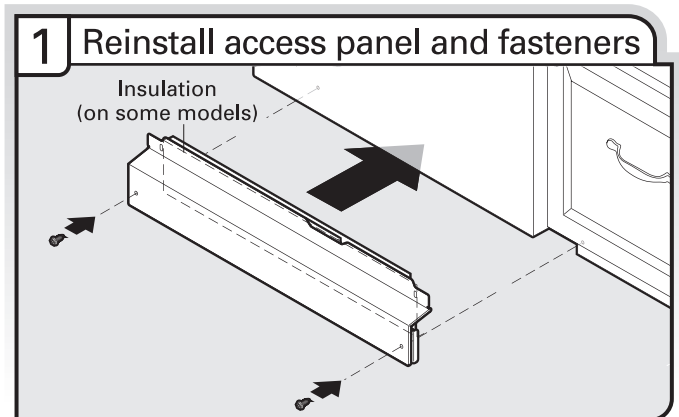


If securing with a side attachment, check that sides of door do not rub against the screw heads. If they do, dishwasher must be re-centered. When dishwasher is properly centered, replace plastic buttons.

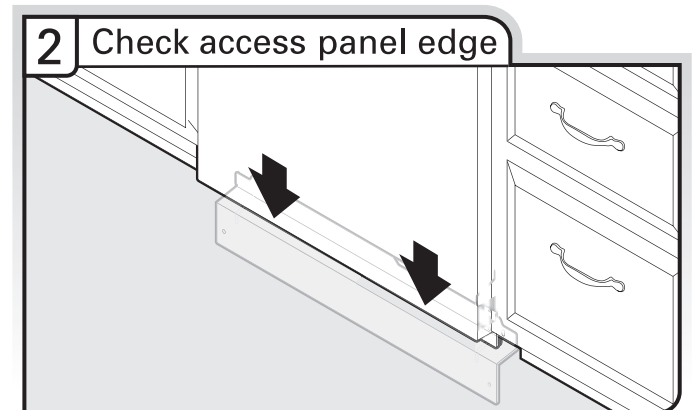
If needed, see website for animated representation of this step. Visit www.kitchenaid.com/anchoring under FAQ tab.

Complete Installation

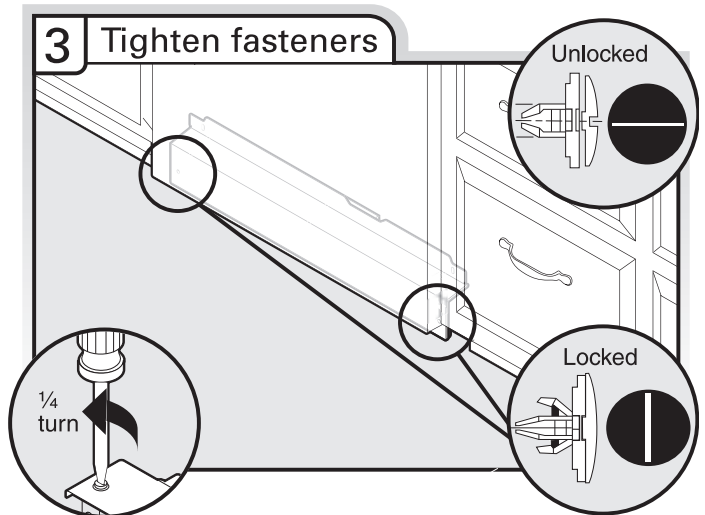
Option A, Install Access Panel - Plastic Panel



Place the plastic access panel against the dishwasher leg.



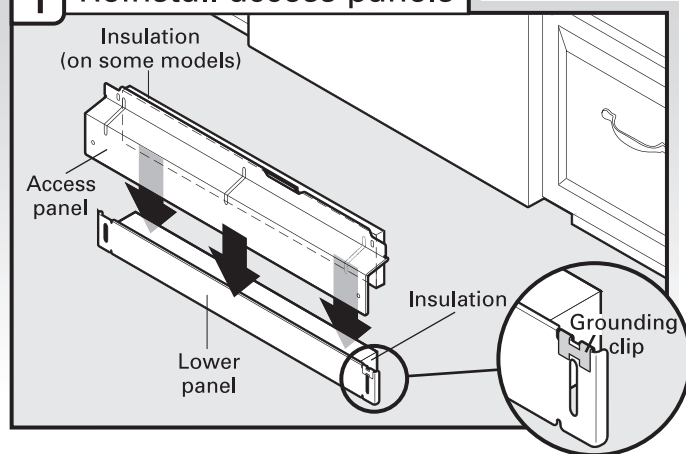
Check that the lower edge of the access panel touches the floor. Adjust if necessary.



Using a flat-blade screwdriver, turn the fasteners $\frac{1}{4}$ turn clockwise to lock into place. The fasteners slot will be straight up and down when properly locked.

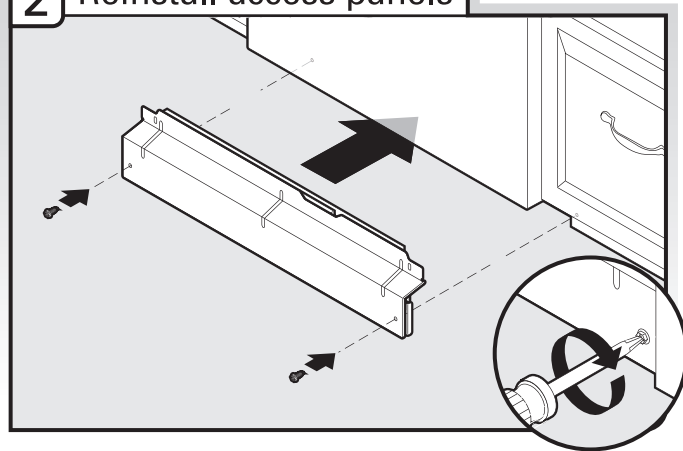
Option B, Install Access Panel - Metal Panel

1 Reinstall access panels



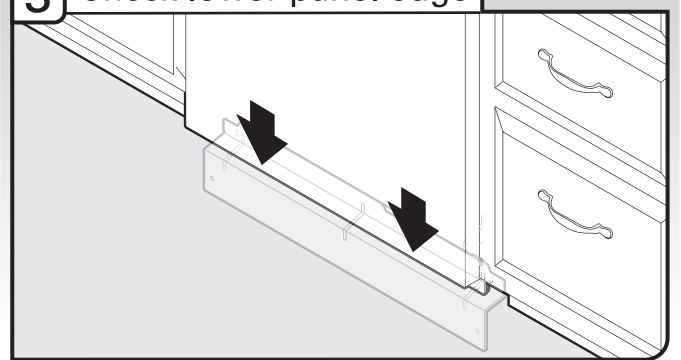
Check that grounding clip is attached to the lower panel. Position the lower panel behind the access panel. On some models there is insulation on the access panel that must fall behind the insulation on the lower panel.

2 Reinstall access panels



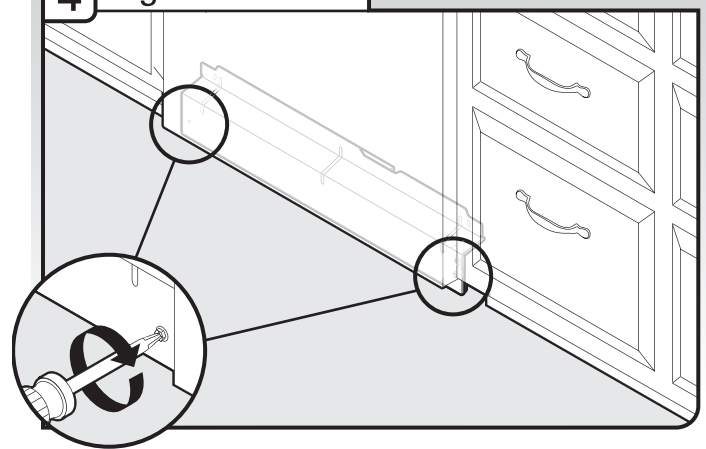
Hold the 2 panels together and place them against dishwasher leg. Using a Phillips or 1/4" screwdriver, reinstall the screws through the holes in the access panel and the slots in the lower panel.

3 Check lower panel edge



Check that the lower edge of the lower panel contacts the floor. Adjust if necessary.

4 Tighten screws



Tighten access panel screws.

⚠ WARNING



Electrical Shock Hazard

Plug into a grounded 3 prong outlet.

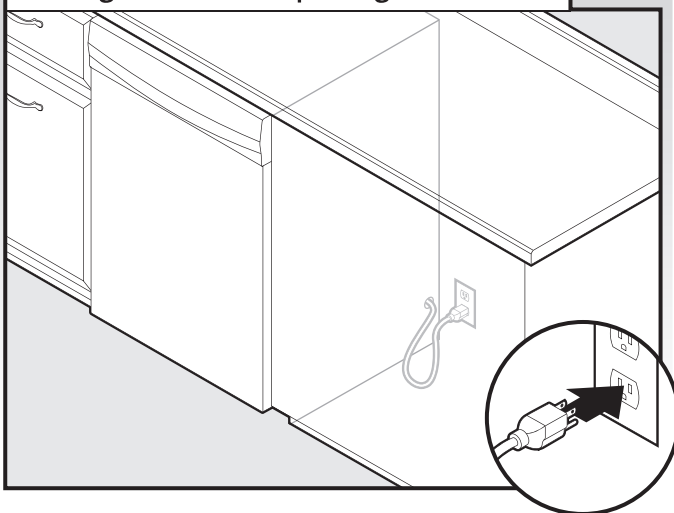
Do not remove ground prong.

Do not use an adapter.

Do not use an extension cord.

Failure to follow these instructions can result in death, fire, or electrical shock.

1 Power supply cord—Plug into a grounded 3 prong outlet



Plug into a grounded 3 prong outlet. Check that power supply cord does not touch dishwasher motor or lower part of dishwasher tub.

Reconnect Power

1 Reconnect power

Reconnect electrical power at the fuse box or circuit breaker box.

Check Operation

- Read the Dishwasher User Instructions that came with your dishwasher.
- Check that all parts have been installed and no steps were skipped. Check that you have all tools used.
- Start dishwasher and allow it to complete the shortest wash cycle. After the first 2 minutes, unlatch door, wait 5 seconds, then open door. Check that there is water in the bottom of the dishwasher tub. Check that dishwasher is working properly.

If the dishwasher is not working properly, disconnect power or unplug dishwasher and see “If Dishwasher Does Not Operate” section.

If Dishwasher Does Not Operate

First try the solutions suggested here to possibly avoid the cost of a service call.

- Has the circuit breaker tripped or the house fuse blown?
- Is the door closed tightly and latched?
- Has the cycle been set correctly to start the dishwasher?
- Is the water turned on?

If none of these possible solutions work, please see your Use and Care Guide for service contact information.

Additional Tips

Expect longer wash times. Your new dishwasher will average 2-3 hours per load, but use nearly 40% less energy than older models. Designed with a low wattage, low energy consumption motor, your dishwasher washes longer to ensure exceptional cleaning. Certain models are equipped with an optical water sensor so the first cycle will run longer to calibrate to optical sensor. Selecting certain options could increase cycle time past 3.5 hours.

Rinse Aid is necessary for good drying results:

This dishwasher is designed to be used with rinse aid for good drying performance and controlling hard water deposit buildup. Energy efficient dishwashers use less water and energy, so they depend on the water sheeting action of rinse aid for good drying performance.

Start/Resume light may flash:

When pressing Start/Resume, you must make sure the door is closed within 3 seconds. If you do not close the door within 3 seconds, the Start/Resume light will flash until you press it again. (You must also do this when adding a dish during the middle of a cycle.)

NOTE: If a braided supply hose is used, replace inlet hose after 5 years to reduce the risk of hose failure. Record hose installation or replacement dates on the hose for future reference.

TABLE DES MATIÈRES

SÉCURITÉ DU LAVE-VAISSELLE	27	Évaluation de l'ouverture d'encastrement du placard	40
EXIGENCES D'INSTALLATION	28	Installation de la poignée de porte	41
Outillage et pièces	28	Dimensions du panneau personnalisé	41
Exigences d'emplacement	29	Installation du panneau personnalisé	42
Exigences d'évacuation	31	Choix de l'option de fixation	44
Spécifications de l'alimentation en eau	31	Préparation de la canalisation d'alimentation en eau	45
Spécifications électriques	31	Déplacement du lave-vaisselle à proximité de l'ouverture d'encastrement du placard	46
INSTRUCTIONS D'INSTALLATION	32	Raccordement à l'alimentation en eau	48
Préparation de l'ouverture d'encastrement du placard – Moyens de raccordement préexistants	32	Raccordement au circuit d'évacuation	48
Préparation de l'ouverture d'encastrement du placard – Nouveaux moyens de raccordement	32	Raccordement électrique direct	49
Préparation et acheminement de la canalisation d'eau	34	Fixation du lave-vaisselle dans l'ouverture d'encastrement du placard	50
Installation du tuyau d'évacuation	35	Achever l'installation	51
Installation de la barrière anti-humidité	37	Contrôle du fonctionnement	54
Préparation du lave-vaisselle	37	Si le lave-vaisselle ne fonctionne pas	54
Raccordement du cordon d'alimentation	39	Conseils supplémentaires	54

SÉCURITÉ DU LAVE-VAISSELLE

Votre sécurité et celle des autres est très importante.

Nous donnons de nombreux messages de sécurité importants dans ce manuel et sur votre appareil ménager. Assurez-vous de toujours lire tous les messages de sécurité et de vous y conformer.



Voici le symbole d'alerte de sécurité.

Ce symbole d'alerte de sécurité vous signale les dangers potentiels de décès et de blessures graves à vous et à d'autres.

Tous les messages de sécurité suivront le symbole d'alerte de sécurité et le mot "DANGER" ou "AVERTISSEMENT". Ces mots signifient :

! DANGER

Risque possible de décès ou de blessure grave si vous ne suivez pas immédiatement les instructions.

! AVERTISSEMENT

Risque possible de décès ou de blessure grave si vous ne suivez pas les instructions.

Tous les messages de sécurité vous diront quel est le danger potentiel et vous disent comment réduire le risque de blessure et ce qui peut se produire en cas de non-respect des instructions.

! AVERTISSEMENT



Risque de basculement

Ne pas utiliser le lave-vaisselle jusqu'à ce qu'il soit complètement installé.

Ne pas appuyer sur la porte ouverte.

Le non-respect de ces instructions peut causer des blessures graves ou des coupures.

Il faut :

- Ouvrir lentement la porte du lave-vaisselle tandis qu'une autre personne saisit l'arrière de l'appareil. Retirer les matériaux d'expédition et le tuyau d'évacuation. Fermer la porte du lave-vaisselle; elle doit s'enclencher.

REMARQUE : Chaque lave-vaisselle a été testé en usine - en raison de ces tests, il est possible qu'il reste un peu d'eau dans la cuve du lave-vaisselle.

- Respecter les dispositions de tous les codes et règlements en vigueur.
- Installer le lave-vaisselle conformément aux présentes instructions.
- L'installation doit être exécutée par un technicien qualifié. Le lave-vaisselle doit être installé conformément aux dispositions de tous les codes et règlements locaux et nationaux régissant les installations de plomberie et d'électricité.

L'installation ou le retrait de l'appareil doit se faire avec précaution afin de réduire le risque d'endommagement du cordon d'alimentation.

AVERTISSEMENT : Afin de réduire le risque d'incendie, de choc électrique ou de blessures corporelles, l'installateur doit s'assurer que le lave-vaisselle est complètement encastré au moment de l'installation.


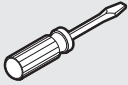
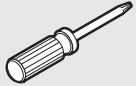
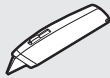
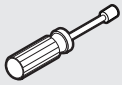


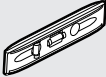


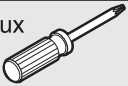
EXIGENCES D'INSTALLATION

Outils et pièces

Rassembler les outils et composants nécessaires avant d'entreprendre l'installation. Lire et observer les instructions fournies avec chacun des outils de la liste ci-dessous.

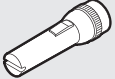
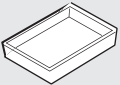
Toutes les installations

Outillage nécessaire :

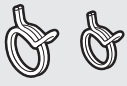




Pince 	Tournevis à lame plate 
Tournevis Phillips 	Couteau utilitaire 
Tourne-écrou ou clés à douille hexagonales de 5/16" et 1/2" 	Connecteurs de fils (homologation UL ou CSA)* 
Mètre-ruban ou règle 	Petit niveau 
Clé à molette de 10" (ouverture jusqu'à 1 1/8" [2,9 cm]) 	Clé plate 5/8" 
Tournevis Torx® T20®. Si l'on installe des panneaux avant personnalisés, tournevis Torx® T15®. 	

*Doit être de taille appropriée pour raccorder le câblage du domicile au câblage de calibre 16 du lave-vaisselle.

Autres articles utiles pouvant être nécessaires :

Lampe de poche 	Plat peu profond 
---	---

Pièces fournies :

Brides de tuyau d'évacuation (2) (1 grosse et 1 petite) 	Tuyau d'évacuation 	Vis Phillips n° 10 x 1/2" (2) 	Brides de montage sous le plan de travail (dessus) (2) 	Ruban adhésif (2) 
--	---	--	---	--

Pièces nécessaires :

Raccord de compression de 3/8" x 3/4" pour tuyau. Pour commander des pièces ou un ensemble, consulter votre marchand local ou appeler Whirlpool Pièces : 1-800-442-9991. Numéro de pièce W10273460



(4) vis à bois n°10 x 1/2" (si installation de panneaux personnalisés avant.)

Fourniture dans la trousse :

(4) goujons en plastique (assujettis ensemble sur une tringle)

(4) vis courtes (10-16, tête hexagonale)



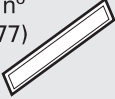
(4) vis longues (8-18, Torx®)

(1) gabarit (dans le sachet du Guide d'utilisation et d'entretien)

(1) fiche d'instructions (dans le sachet du Guide d'utilisation et d'entretien)

REMARQUE : Les vis fournies sont utilisées seulement sur des panneaux de bois de 3/4"; si l'épaisseur des panneaux est inférieure à 3/4", l'installateur doit acheter localement des vis appropriées.

Autres pièces pouvant être nécessaires :

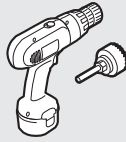

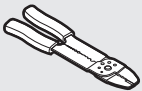
Brides à vis de 1 1/2"-2" (3,81-5 cm) (3 max) 	Ruban de masquage ou ruban adhésif 	Barrière anti-humidité (pièce n° 4396277) 
---	---	--

REMARQUES :


- La bande de barrière anti-humidité est recommandée pour les installations du lave-vaisselle sous un plan de travail en bois.
- Pièces disponibles à l'achat dans les magasins de fournitures de plomberie. Consulter les codes locaux. Vérifier l'alimentation électrique existante. Voir la section "Spécifications électriques". Il est recommandé de faire réaliser tous les raccordements électriques par un électricien qualifié agréé.

D'autre part, pour les premières installations

Outillage nécessaire :

Perceuse sans fil avec mèches de scie à guichet de 1/2", 3/4" et 1 1/2" 	Petit coupe-tube 	Pince à dénuder 
---	---	--

Pièces nécessaires :

Canalisation de cuivre (diamètre externe suggéré de 3/8") ou canalisation d'arrivée d'eau flexible tressée d'acier 	Voir la section "Spécifications électriques"	
	Pour les installations à raccordement direct : utiliser un serre-câble (homologation UL/CSA) qui convient à l'orifice de 7/8" (2,2 cm)	Pour les installations avec un cordon d'alimentation électrique : utiliser un cordon d'alimentation (homologation UL/CSA) conçu pour utilisation avec un lave-vaisselle

S'assurer que toutes ces pièces sont contenues dans le sachet de documentation.

Si ce n'est pas le cas, composer le 1-800-422-1230. Au Canada, appeler le 1-800-807-6777.

Exigences d'emplacement

Une source d'électricité avec liaison à la terre est nécessaire.

Ne pas placer de canalisation d'évacuation, canalisation d'eau ou câblage électrique à un endroit où cela susciterait interférence ou contact avec les pieds ou le moteur du lave-vaisselle.

À l'emplacement d'installation du lave-vaisselle, on doit pouvoir établir le dégagement approprié entre le moteur et le plancher. Le moteur ne doit pas toucher le plancher.

Ne pas installer le lave-vaisselle sur de la moquette.

Abriter du gel le lave-vaisselle et les canalisations d'eau qui l'alimentent. La garantie de l'appareil ne couvre pas les dommages imputables au gel.

Une barrière anti-humidité (produit n° 4396277) est disponible chez votre revendeur pour l'installation de l'appareil sous le plan de travail. Composer le **1-800-422-1230** pour commander. Au Canada, appeler le **1-800-807-6777**.

Inspecter l'emplacement d'installation du lave-vaisselle. Il doit comporter les caractéristiques suivantes :

- facilité d'accès aux canalisations d'eau et d'égout et à la source d'électricité.
- accès facile pour le chargement et déchargement de la vaisselle. Dans le cas d'installation dans un angle, on doit pouvoir établir un dégagement minimal de 2" (5,1 cm) entre le côté de la porte du lave-vaisselle et le mur ou le placard.
- ouverture carrée offrant l'esthétique appropriée et permettant un fonctionnement correct.
- façade des placards perpendiculaire au plancher.
- plancher horizontal et plat. S'il y a un écart de niveau sur le plancher entre l'avant et l'arrière de l'emplacement d'installation, il pourrait être nécessaire d'utiliser des cales pour établir l'aplomb de l'appareil.

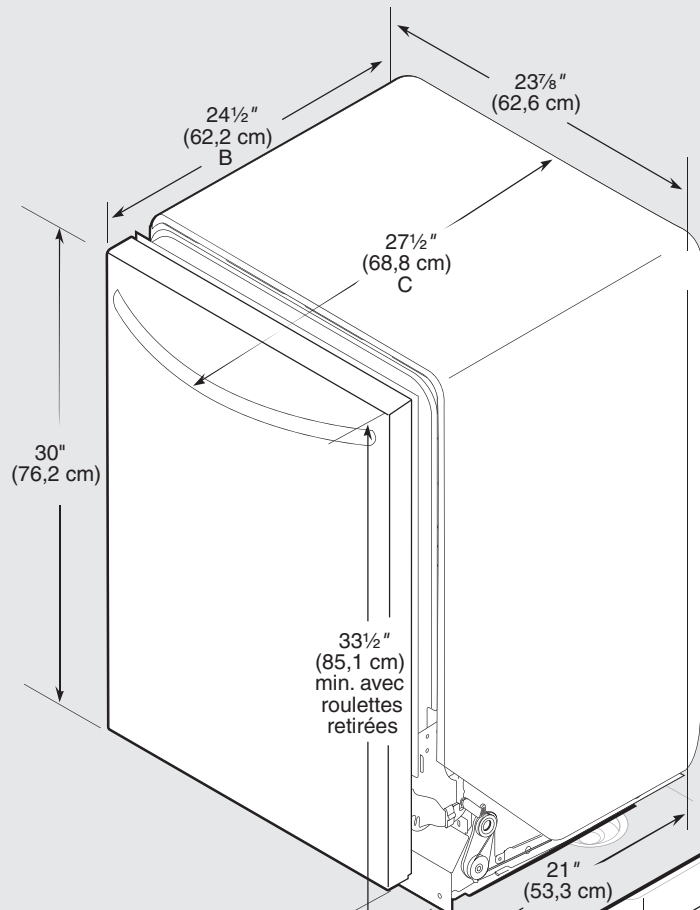
Conseil utile : Veiller à mesurer correctement les dimensions et s'assurer que le lave-vaisselle est d'aplomb si le plancher dans l'ouverture d'encastrement du lave-vaisselle est irrégulier (par exemple, le revêtement de sol ne pénètre que partiellement dans l'ouverture).

REMARQUE : Pour éviter tout déplacement des cales durant le fonctionnement du lave-vaisselle, les cales doivent être solidement fixées au plancher.

Si le lave-vaisselle ne doit pas être utilisé pendant une période prolongée ou s'il est laissé à un endroit qui pourrait être exposé au gel, veiller à faire exécuter les opérations de pré-hivernage par un technicien compétent.

Veiller à ce que les canalisations d'eau et d'évacuation et les câbles électriques se trouvent dans les limites de la zone marquée en gris illustrée dans la section "Dimensions du produit et de l'ouverture d'encastrement du placard".

Dimensions du produit et de l'ouverture d'encastement du placard



B. Pour un modèle prêt pour la pose de panneaux, la profondeur du lave-vaisselle est de 24" (60 cm) ceci n'inclut pas le panneau de porte personnalisé de ¾" (1,9 cm).

C. Avec une poignée Pro Line®, la profondeur est de 28" (70 cm).

A. L'isolant peut être comprimé (pas utilisé sur tous les modèles).

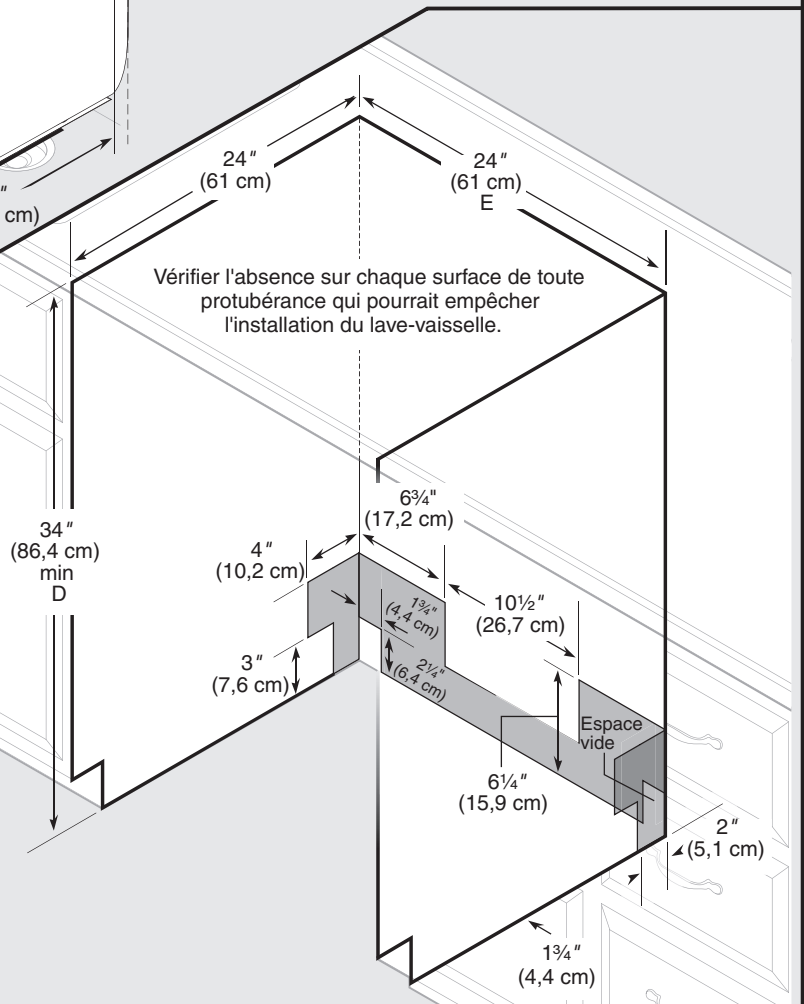
3½" - 4¼" (8,8 cm - 10,6 cm)
 S'il y a un panneau de plinthe de 4" (10 cm), la hauteur de l'ouverture du placard est 3½" (86,3 cm).

Vérifier l'absence sur chaque surface de toute protubérance qui pourrait empêcher l'installation du lave-vaisselle.

REMARQUE : La zone grisée sur la paroi du placard identifie la zone de passage des câbles et tuyaux.

D. Mesuré depuis le point le plus bas sur la face inférieure du plan de travail. Cette dimension peut être réduite à 33½" (85,1 cm) en retirant les roulettes du lave-vaisselle et en perforant l'isolant (la plaque d'insonorisation) de l'appareil.

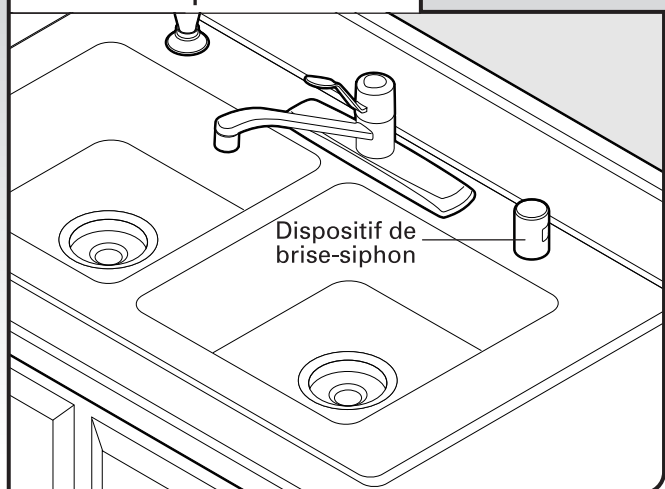
E. Minimum, mesuré depuis le point le plus étroit de l'ouverture.



Exigences d'évacuation

- Un tuyau d'évacuation neuf est fourni avec le lave-vaisselle. Si ce tuyau n'est pas suffisamment long, utiliser un tuyau d'évacuation neuf de longueur maximale de 12 pi (3,7 m) (pièce numéro 3385556) qui satisfait aux critères des normes de test AHAM/IAPMO en vigueur, est résistant à la chaleur et aux détergents, et peut être connecté au raccord d'évacuation de 1" (2,5 cm) du lave-vaisselle.
- Veiller à raccorder le tuyau d'évacuation à la canalisation d'égout en T ou à l'entrée du raccord de broyeur à déchets en amont du siphon du circuit de plomberie du domicile, et à au moins 20" (50,8 cm) au-dessus du sol. On recommande de lover le tuyau d'évacuation et de le fixer solidement sur la face inférieure du plan de travail, ou de le raccorder à un dispositif de brise-siphon.

Utilisation du dispositif de brise-siphon



- Utiliser un dispositif de brise-siphon si le tuyau d'évacuation est raccordé au circuit de plomberie du domicile à moins de 20" (50,8 cm) au-dessus du sous-plancher ou du plancher.
- Si nécessaire, le dispositif de brise-siphon doit être installé conformément aux instructions d'installation de ce dernier. Lors du raccordement du dispositif de brise-siphon à la canalisation d'égout en T ou au raccord de broyeur à déchets, un tuyau en caoutchouc (non fourni) sera nécessaire.

Spécifications de l'alimentation en eau

- Une canalisation d'eau chaude, sous pression de 20 à 120 lb/po² (138–862 kPa) peut être inspectée par un plombier certifié.
 - Température de l'eau de 120°F (49°C) à l'entrée du lave-vaisselle.
 - Canalisation de cuivre de diamètre externe de 3/8" avec raccord à compression ou canalisation d'arrivée d'eau flexible tressée (pièce numéro 4396897RP).
- REMARQUE :** L'emploi d'un tuyau de plastique d'un minimum de 1/2" n'est pas recommandé.
- Raccord coudé à 90° avec raccord de tuyau de 3/4" et rondelle de caoutchouc (pièce numéro W10273460).
 - Souder à plus de 6" (15,2 cm) de l'électrovanne d'admission d'eau.

Spécifications électriques

S'assurer que le raccordement électrique et la taille des conducteurs sont adéquats et conformes au code national de l'électricité, ANSI/NFPA 70 – dernière édition, et à tous les codes et règlements locaux en vigueur.

Pour obtenir un exemplaire des normes des codes ci-dessus, contacter :

National Fire Protection Association
1 Batterymarch Park
Quincy, MA 02169-7471

On doit disposer des éléments suivants :

- Une source d'alimentation de 120 V, 60 Hz, CA uniquement, de type 15 ou 20 ampères, protégée par fusible.
- Uniquement des conducteurs de cuivre.

Nous recommandons :

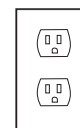
- L'utilisation d'un fusible ou disjoncteur temporisé.
- Un circuit séparé.

Pour le raccordement du lave-vaisselle avec un cordon d'alimentation électrique :



- Utiliser l'ensemble de cordon d'alimentation électrique (homologation UL) (pièce numéro 4317824) pour utilisation avec lave-vaisselle.

- Le cordon d'alimentation électrique doit être branché dans une prise à trois alvéoles reliée à la terre située dans le placard, près de l'ouverture du lave-vaisselle. La prise doit être conforme à tous les codes et règlements locaux.



Pour le raccordement direct du lave-vaisselle :

- Utiliser des conducteurs de cuivre gainés non métalliques ou blindés souples avec conducteur de liaison à la terre qui satisfassent aux exigences de l'installation électrique du domicile, et qui soient conformes aux prescriptions des codes et règlements locaux.
- Utiliser un serre-câble (homologation UL ou CSA).



INSTRUCTIONS D'INSTALLATION

⚠ AVERTISSEMENT



Risque de choc électrique

Interrompre l'alimentation électrique avant d'installer le lave-vaisselle (au niveau du tableau de distribution - fusible ou disjoncteur)

Le non-respect de cette instruction peut causer un décès ou un choc électrique.

1 Déconnecter la source de courant électrique

Interrompre l'alimentation électrique avant d'installer le lave-vaisselle (au niveau du tableau de distribution - fusible ou disjoncteur)

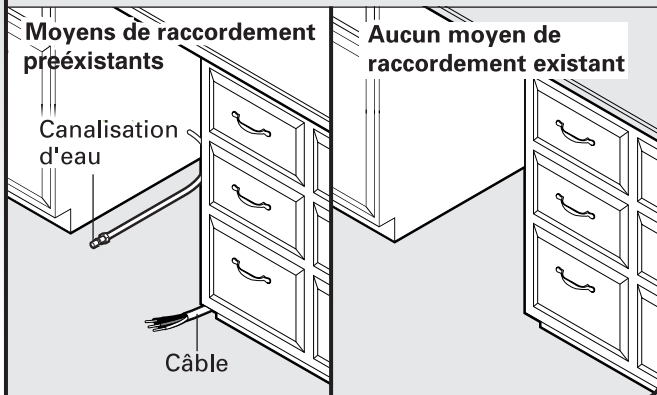
2 Fermeture de l'alimentation en eau

Fermer l'alimentation en eau raccordée au lave-vaisselle.

3 L'utilisateur possède-t-il déjà des moyens de raccordement?

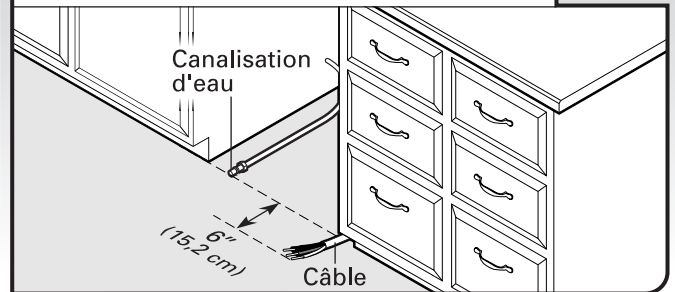
Oui—Suivre les instructions de la section "Préparation de l'ouverture d'encastrement du placard – Moyens de raccordement préexistants".

Non—Suivre les instructions de la section "Préparation de l'ouverture d'encastrement du placard – Nouveaux moyens de raccordement".



Préparation de l'ouverture d'encastrement du placard – Moyens de raccordement préexistants

1 Vérification de l'emplacement du circuit d'eau et d'électricité



Si la canalisation d'eau et le câble dépassent des emplacements indiqués, passer à la section "Installation du tuyau d'évacuation". S'ils ne sont pas assez longs, suivre les instructions dans la section "Préparation de l'ouverture d'encastrement du placard – Nouveaux moyens de raccordement".

Préparation de l'ouverture d'encastrement du placard – Nouveaux moyens de raccordement

Préparation et acheminement de l'alimentation électrique

Quel type de connexion l'utilisateur emploie-t-il?



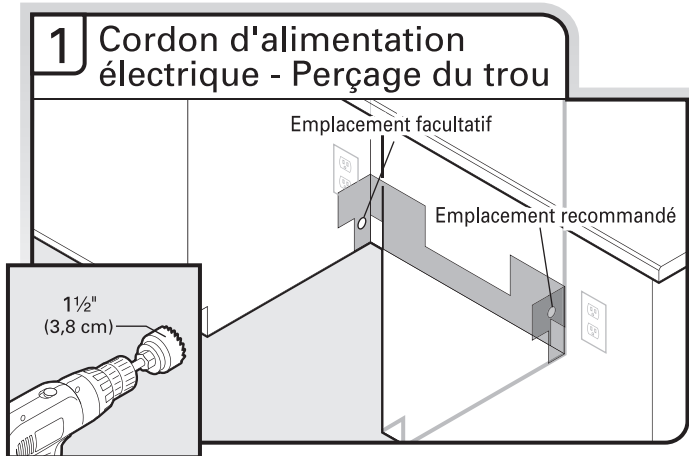
Cordon d'alimentation électrique :
Suivre les instructions de l'option A



Raccordement direct :
Suivre les instructions de l'option B

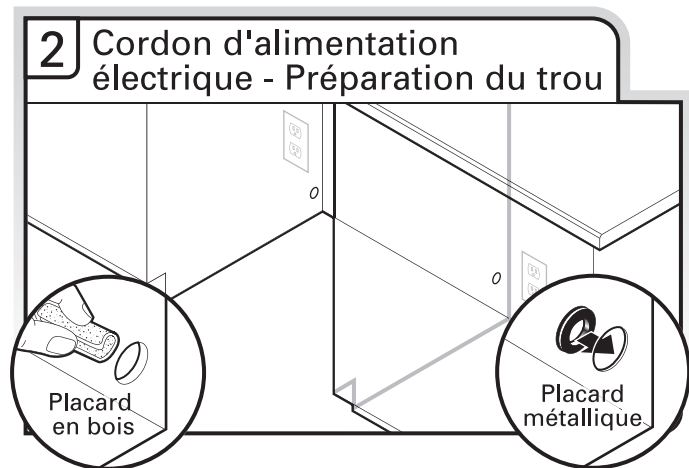
Option A, cordon d'alimentation :

REMARQUE : On doit disposer d'une prise à trois alvéoles, reliée à la terre, située dans un placard qui se trouve près de l'ouverture du lave-vaisselle.



Percer un trou de 1 1/2" (3,8 cm) dans la paroi latérale ou arrière du placard.

Voir la section "Dimensions du produit et de l'ouverture d'encastrement du placard".

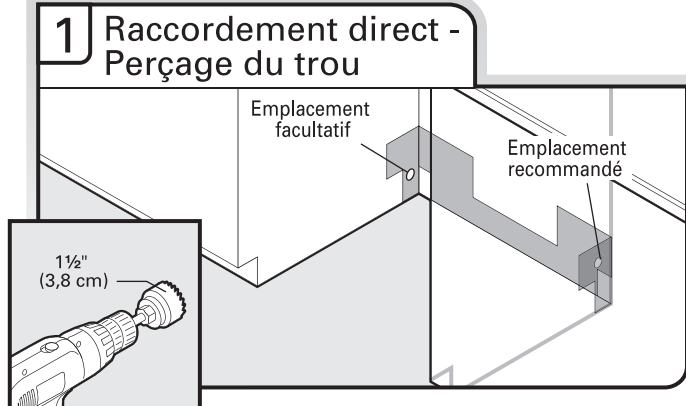


Placard en bois : Poncer le trou jusqu'à obtenir une surface lisse.

Placard métallique : Couvrir le trou avec l'œillet fourni dans la trousse du cordon d'alimentation électrique.

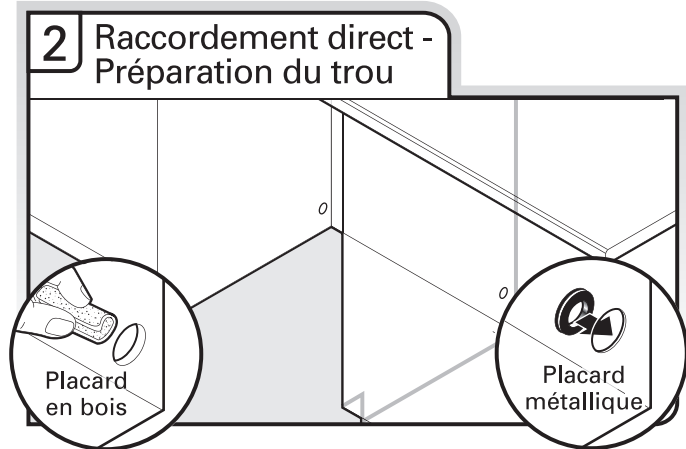
Option B, raccordement direct :

Conseil utile : Le raccordement au lave-vaisselle sera plus facile si l'on achemine le câble par le côté droit de l'ouverture d'encastrement du placard.



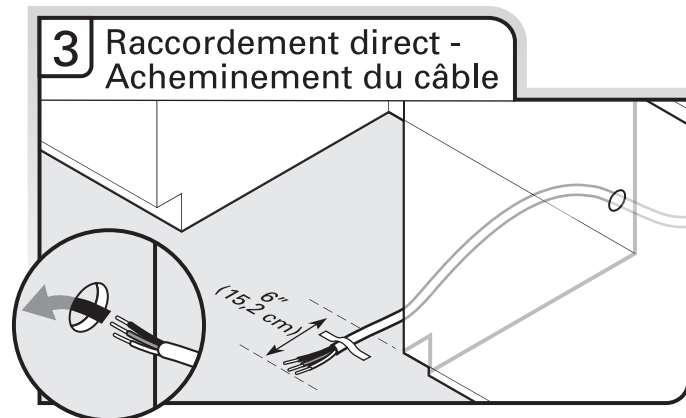
Percer un trou de 1 1/2" (3,8 cm) dans le côté droit de la paroi latérale ou arrière du placard.

Voir la section "Dimensions du produit et de l'ouverture d'encastrement du placard".



Placard en bois : Poncer le trou jusqu'à obtenir une surface lisse.

Placard métallique : Couvrir le trou avec un œillet (pièce n° 302797 - non fournie).

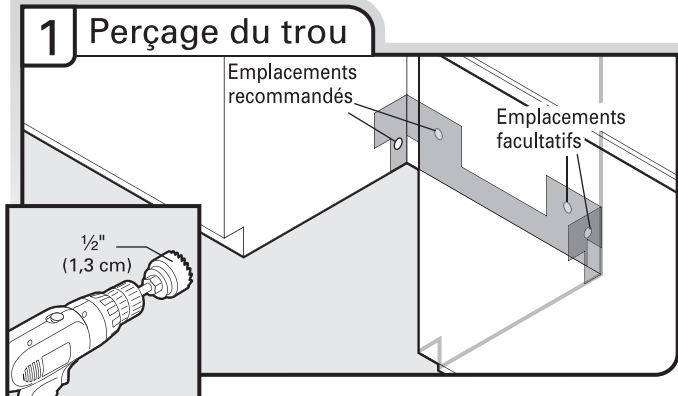


Acheminer le câble de la source d'alimentation électrique à travers le trou dans le placard (le câble doit dépasser par le côté avant droit de l'ouverture d'encastrement du placard).

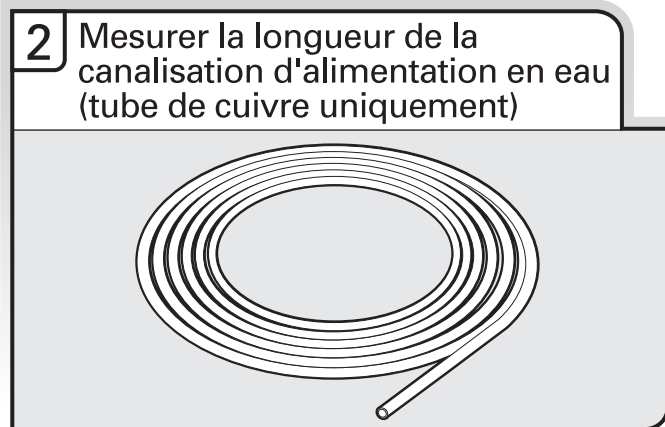
Fixer le câble au plancher avec du ruban adhésif dans la zone indiquée. Cela empêchera le câble de bouger lors de l'insertion du lave-vaisselle dans l'ouverture du placard.

Préparation et acheminement de la canalisation d'eau

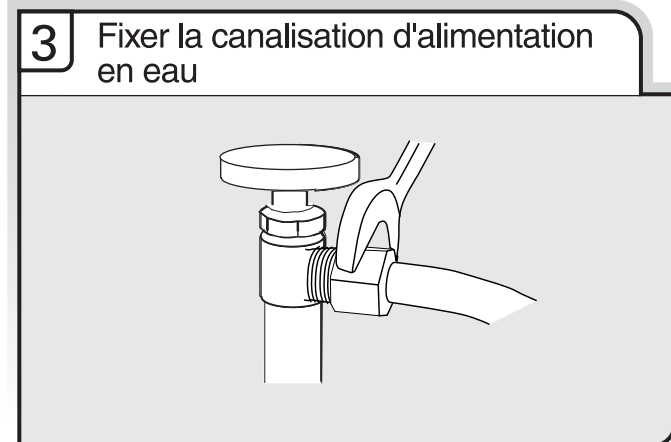
Conseil utile : Le raccordement du circuit d'eau sera plus facile si l'on achemine la canalisation d'eau par le côté gauche de l'ouverture du placard.



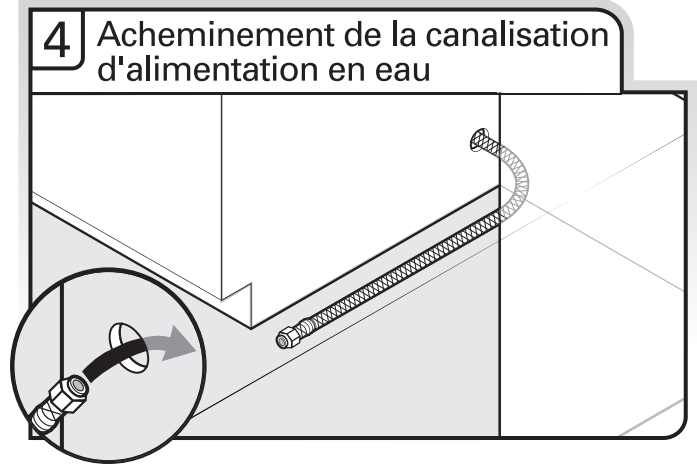
Percer un trou de 1/2" (1,3 cm) dans la paroi latérale ou arrière du placard.



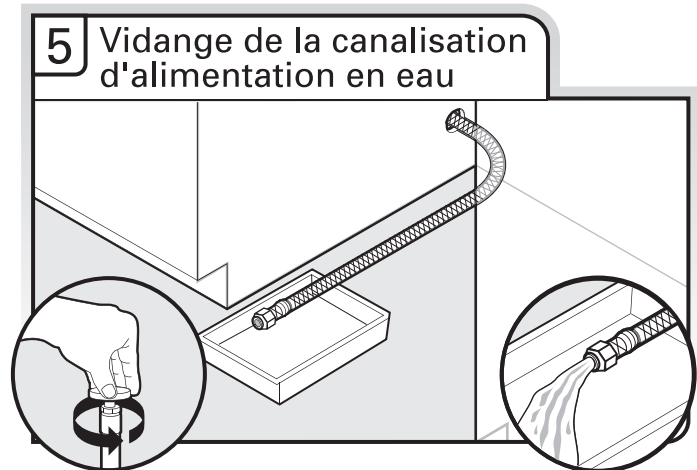
Mesurer la longueur totale du tube de cuivre pour la canalisation d'alimentation en eau.



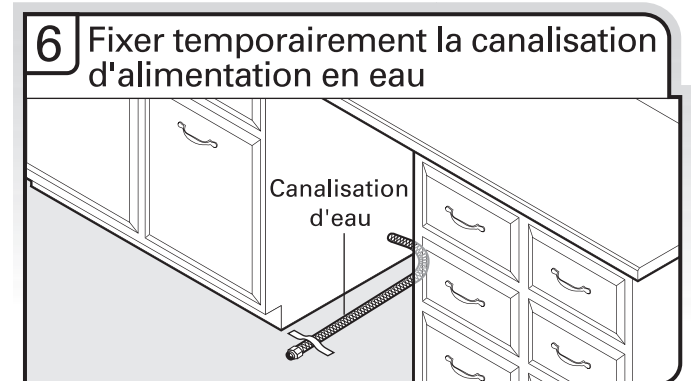
Fixer la canalisation d'alimentation en eau (tube de cuivre ou canalisation flexible tressée) à la canalisation d'eau chaude à l'aide d'une configuration de raccordement qui soit conforme à tous les codes et règlements locaux. La canalisation d'alimentation en eau raccordée au lave-vaisselle doit comporter un robinet d'arrêt manuel situé sous l'évier.



Faire passer prudemment la canalisation d'alimentation en eau à travers le trou percé dans le placard. (Un tube en cuivre s'écrase/se déforme facilement - procéder prudemment si l'on en utilise un.) Il faut que la longueur de la section qui dépasse dans l'espace d'encastrement soit suffisante pour le raccordement à l'entrée du lave-vaisselle sur le côté gauche, à l'avant du lave-vaisselle.



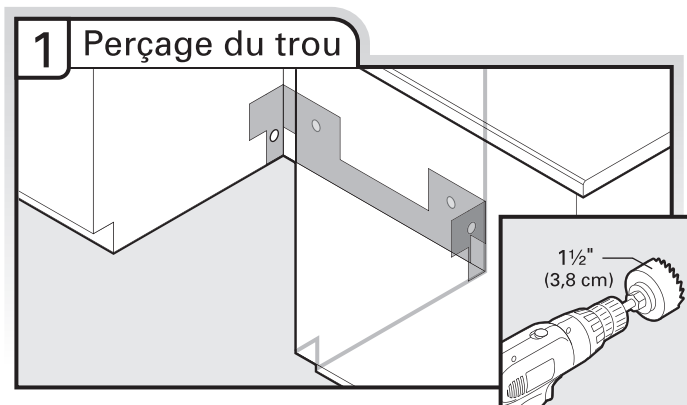
Tourner lentement le robinet d'arrêt jusqu'à la position "ON" (marche). Vider l'eau dans un plat peu profond pour éliminer les particules et débris qui pourraient obstruer l'électrovanne d'admission. Tourner le robinet d'arrêt jusqu'à la position "OFF" (arrêt).



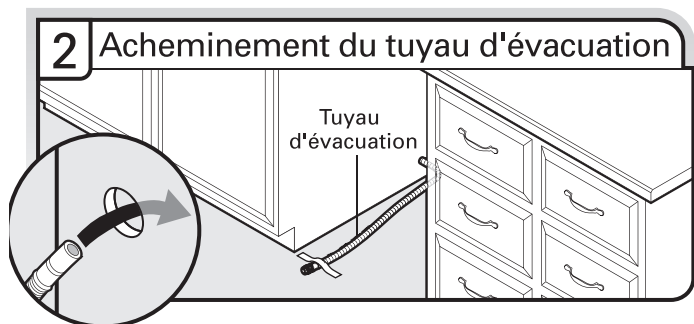
Installer la canalisation d'alimentation en eau et la fixer au plancher avec du ruban adhésif dans la zone indiquée. Cela l'empêchera de bouger lors de l'insertion du lave-vaisselle dans l'ouverture du placard.

Installation du tuyau d'évacuation

IMPORTANT : Utiliser toujours un tuyau d'évacuation neuf.
Vérifier les codes locaux pour déterminer si un dispositif de brise-siphon est nécessaire.



Si nécessaire, percer un trou de 1 1/2" (3,8 cm) de diamètre dans la paroi du placard ou le côté de l'ouverture le plus proche de l'évier.



Insérer le tuyau d'évacuation tel qu'indiqué à travers le trou dans le placard et l'acheminer jusqu'au point de raccordement du tuyau d'évacuation (au centre de l'ouverture, à l'avant). Fixer le tuyau d'évacuation au plancher avec du ruban adhésif dans la zone indiquée. Cela l'empêchera de bouger lors de l'insertion du lave-vaisselle dans l'ouverture du placard.

3 Raccordement du tuyau d'évacuation

Raccorder le tuyau d'évacuation à la canalisation d'égout en T ou au broyeur à déchets en utilisant l'une des options suivantes :

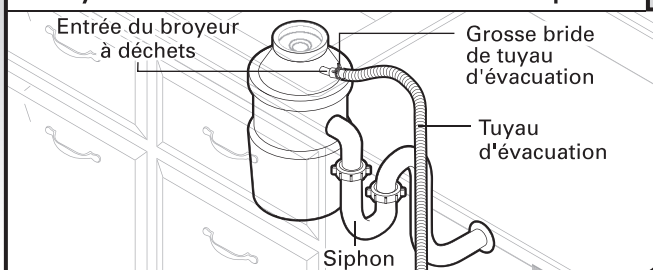
- Option A, Broyeur à déchets - sans brise-siphon
- Option B, Pas de broyeur à déchets - sans brise-siphon
- Option C, Broyeur à déchets - avec brise-siphon
- Option D, Pas de broyeur à déchets - avec brise-siphon

IMPORTANT : Le raccordement du tuyau d'évacuation à la canalisation d'égout en T ou au raccord de broyeur à déchets doit être réalisé en amont du siphon du circuit d'évacuation et à au moins 20" (50,8 cm) au-dessus du plancher de l'espace d'installation du lave-vaisselle.

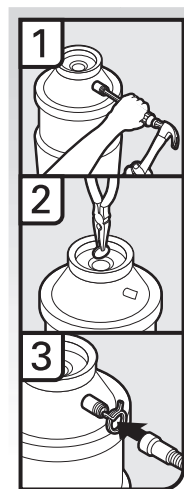
Conseil utile : Afin de minimiser les vibrations du tuyau, le tenir à distance du plancher.

Option A, Broyeur à déchets – sans brise-siphon

Broyeur à déchets - sans brise-siphon



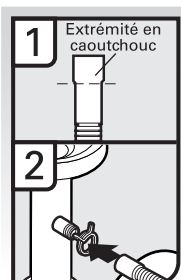
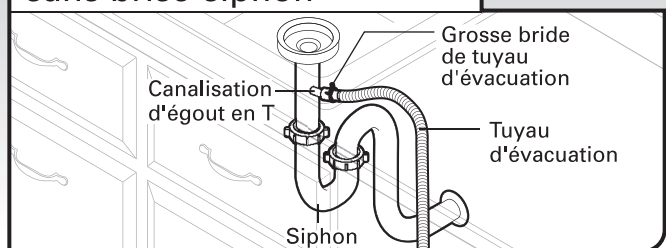
Conseil utile : Retirer le bouchon d'obturation arrachable du broyeur.



1. À l'aide d'un marteau et d'un tournevis, enfoncer le bouchon d'obturation dans le broyeur à déchets.
2. Retirer le bouchon d'obturation à l'aide d'une pince à pointe biseautée.
3. Fixer le tuyau d'évacuation sur l'entrée du raccord de broyeur à déchets à l'aide de la grosse bride de tuyau d'évacuation (fournie). À l'aide d'une pince, serrer la bride pour l'ouvrir et la mettre en position.

Option B, Pas de broyeur à déchets – sans brise-siphon

Pas de broyeur à déchets - sans brise-siphon



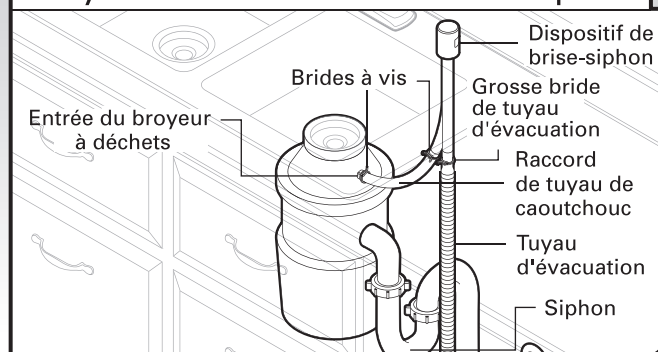
1. Raccorder l'extrémité en caoutchouc du tuyau d'évacuation à la canalisation d'égout en T et couper si nécessaire.

REMARQUE : Ne pas couper la section ondulée.

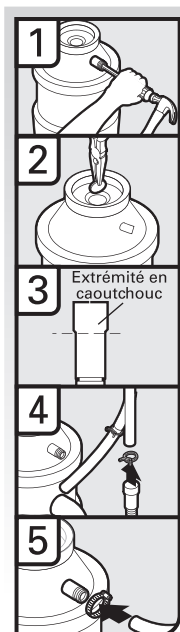
2. Fixer l'extrémité en caoutchouc du tuyau d'évacuation à la canalisation d'égout en T à l'aide d'une grosse bride pour tuyau d'évacuation (fournie). À l'aide d'une pince, serrer la bride pour l'ouvrir et la mettre en position. Si le tuyau d'évacuation a été coupé, utiliser une bride à vis de 1½" à 2" (3,8 à 5 cm) (non fournie).

Option C, Broyeur à déchets - avec brise-siphon

Broyeur à déchets - avec brise-siphon



Conseil utile : Retirer le bouchon d'obturation arrachable du broyeur.



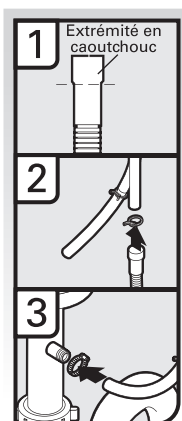
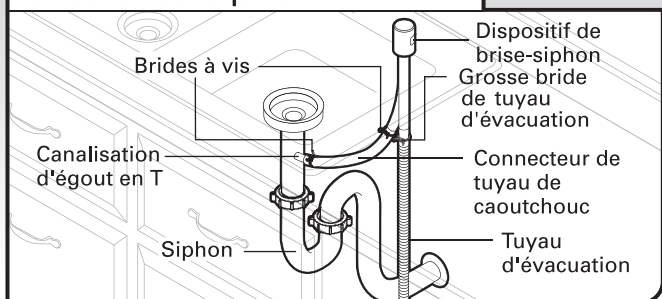
1. À l'aide d'un marteau et d'un tournevis, enfoncer le bouchon d'obturation dans le broyeur à déchets.
2. Retirer le bouchon d'obturation à l'aide d'une pince à pointe biseautée.
3. Raccorder l'extrémité en caoutchouc du tuyau d'évacuation au dispositif de brise-siphon et couper si nécessaire.

REMARQUE : Ne pas couper la section ondulée.

4. Fixer le tuyau d'évacuation sur le dispositif de brise-siphon à l'aide de la grosse bride de tuyau d'évacuation (fournie). À l'aide d'une pince, serrer la bride pour l'ouvrir et la mettre en position. Si le tuyau d'évacuation a été coupé, utiliser une bride à vis de 1½" à 2" (3,8 à 5 cm) (non fournie).
5. Utiliser un tuyau en caoutchouc (non fourni) et une bride à vis (non fournie) pour le raccordement du dispositif de brise-siphon à l'entrée du broyeur à déchets.

Option D, Pas de broyeur à déchets – avec brise-siphon

Pas de broyeur à déchets - avec brise-siphon



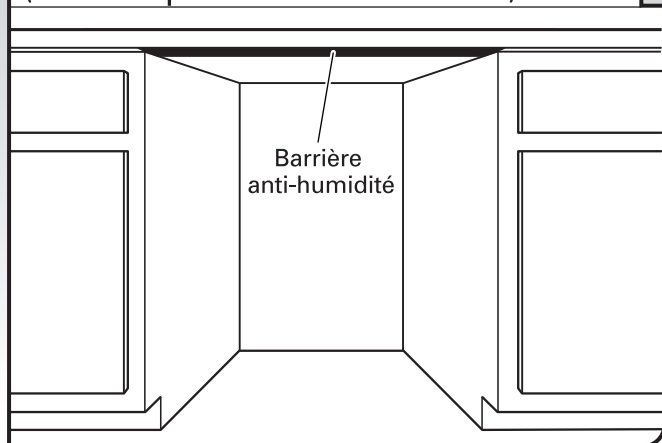
1. Raccorder l'extrémité en caoutchouc du tuyau d'évacuation au dispositif de brise-siphon et couper si nécessaire.

REMARQUE : Ne pas couper la section ondulée.

2. Fixer le tuyau d'évacuation sur le dispositif de brise-siphon à l'aide de la grosse bride de tuyau d'évacuation (fournie). À l'aide d'une pince, serrer la bride pour l'ouvrir et la mettre en position. Si le tuyau d'évacuation a été coupé, utiliser une bride à vis de 1½" à 2" (3,8 à 5 cm) (non fournie).
3. Utiliser un tuyau en caoutchouc (non fourni) et une bride à vis (non fournie) pour le raccordement de la canalisation d'égout en T au dispositif de brise-siphon.

Installation de la barrière anti-humidité (sous un plan de travail en bois)

Installation de la barrière anti-humidité (sous un plan de travail en bois)



1. Veiller à ce que la zone se trouvant sous le placard soit propre et sèche avant d'installer la barrière anti-humidité.
2. Ôter l'endos de la barrière anti-humidité et appliquer la barrière sur le dessous du plan de travail, le long de la rive avant du comptoir.

Préparation du lave-vaisselle

⚠ AVERTISSEMENT



Risque de basculement

Ne pas utiliser le lave-vaisselle jusqu'à ce qu'il soit complètement installé.

Ne pas appuyer sur la porte ouverte.

Le non-respect de ces instructions peut causer des blessures graves ou des coupures.

⚠ AVERTISSEMENT

Risque du poids excessif

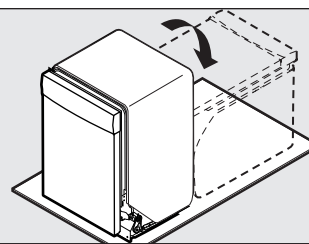
Utiliser deux personnes ou plus pour déplacer et installer le lave-vaisselle.

Le non-respect de cette instruction peut causer une blessure au dos ou d'autre blessure.

Conseil utile : Pour éviter d'endommager le revêtement de sol, placer une feuille de carton sous le lave-vaisselle jusqu'à son installation dans la cavité d'encastrement. Ne pas utiliser le panneau de porte comme surface de travail sans d'abord l'avoir recouvert d'une serviette pour éviter de le rayer.

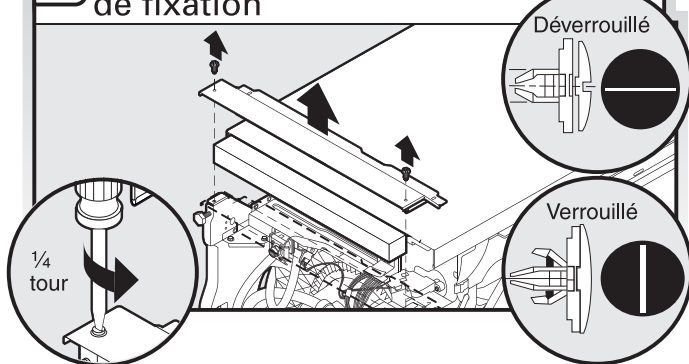
Faire intervenir deux personnes ou plus – saisir les côtés du châssis de la porte du lave-vaisselle pour placer le lave-vaisselle en appui sur la face arrière.

1 Placer le lave-vaisselle sur le dos



Option A : Retrait du panneau d'accès – Panneau en plastique

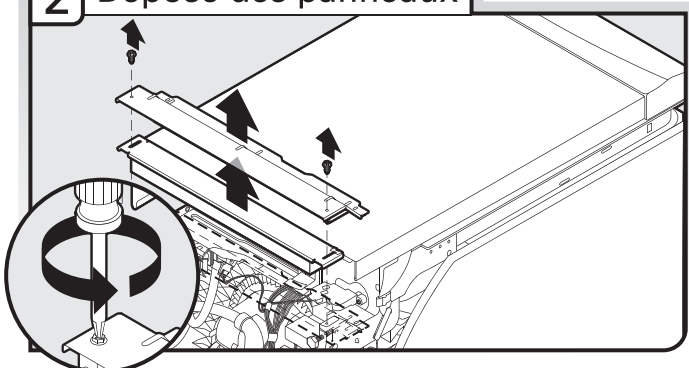
2 Retirer le panneau et les dispositifs de fixation



À l'aide d'un tournevis à lame plate, tourner les dispositifs de fixation en plastique d'un quart de tour dans le sens antihoraire pour les déverrouiller. Retirer le panneau. Ne pas retirer la fiche technique du panneau d'accès.

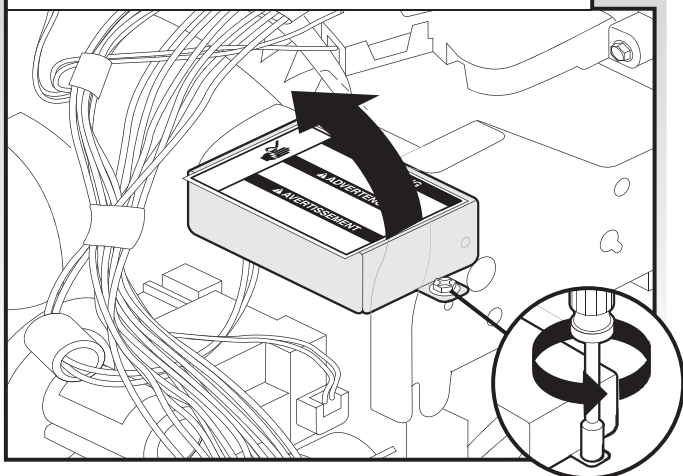
Option B : Retrait du panneau d'accès – Panneau métallique

2 Dépose des panneaux



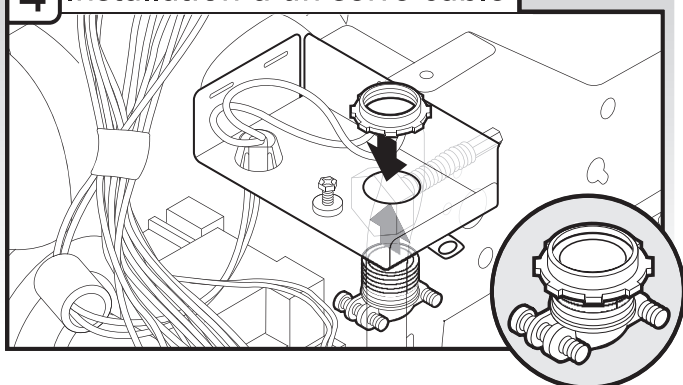
À l'aide d'une clé à douille à tête hexagonale, un tourne-écrou de 1/4" ou un tournevis Phillips, ôter les deux vis fixant le panneau d'accès et le panneau inférieur au lave-vaisselle. Ne pas retirer la fiche technique du panneau d'accès.

3 Dépose du couvercle du boîtier de connexion





Utiliser une clé à douille hexagonale, un tourne-écrou de 1/4" ou un tournevis Torx® T20®; démonter le couvercle du boîtier de connexion; conserver les pièces pour réutilisation éventuelle.

4 Installation d'un serre-câble



Installer un serre-câble (homologation UL ou CSA). Veiller à ce que les têtes de vis soient orientées vers la gauche pour le serrage de l'écrou du conduit. Le serre-câble est fourni avec l'ensemble de cordon d'alimentation.

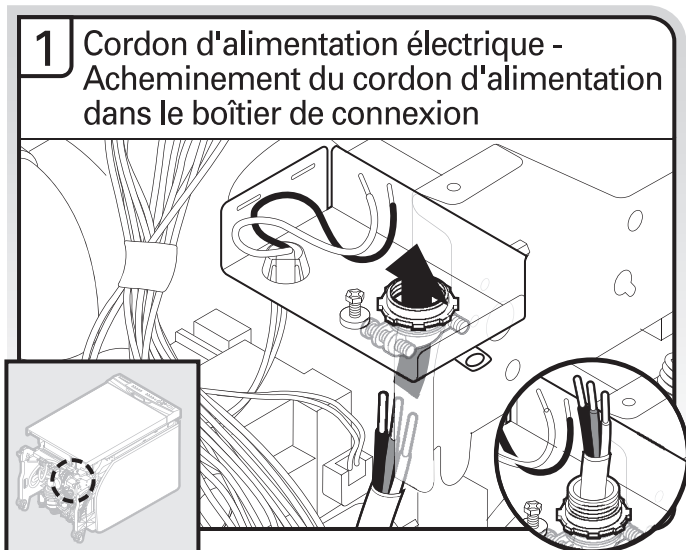
Quel type de connexion l'utilisateur emploie-t-il?

-  Cordon d'alimentation électrique : Suivre les instructions de l'option A
-  Raccordement direct : Suivre les instructions de l'option B

REMARQUE : Si l'on utilise l'option B, passer à "Évaluation de l'ouverture d'encastrement du placard" pour poursuivre l'installation du lave-vaisselle.

Raccordement du cordon d'alimentation

Option A, Cordon d'alimentation :



Acheminer le cordon d'alimentation de façon à ce qu'il ne touche pas le moteur ou lave-vaisselle, ni la partie inférieure de la cuve du lave-vaisselle. Tirer le cordon pour l'acheminer à travers le serre-câble dans le boîtier de connexion.

Sélectionner des connecteurs de fils (homologation UL ou CSA) conçus pour le raccordement du cordon d'alimentation du domicile au câblage de calibre 16 du lave-vaisselle.

⚠ AVERTISSEMENT



Risque de choc électrique

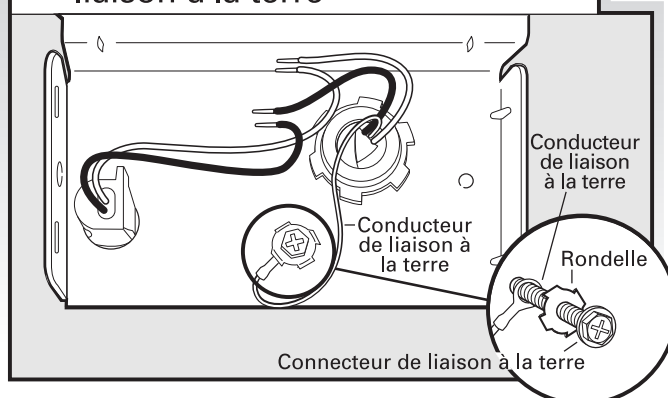
Relier le lave-vaisselle à la terre d'une méthode électrique.

Brancher le fil relié à la terre au connecteur vert relié à la terre dans la boîte de la borne.

Ne pas utiliser un câble de rallonge.

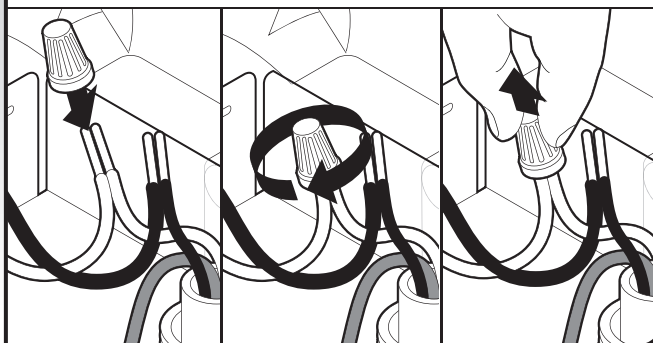
Le non-respect de ces instructions peut causer un décès, un incendie ou un choc électrique.

2 Cordon d'alimentation - Raccordement du conducteur de liaison à la terre



Ôter la vis de liaison à la terre et la placer à travers la borne en anneau du conducteur vert de mise à la terre. Fixer à nouveau la vis de liaison à la terre et la serrer.

3 Cordon d'alimentation électrique - Raccordement des fils restants



REMARQUE : Ne pas pré-torsader les brins des conducteurs. Installer le connecteur de fils en le faisant pivoter. Tirer doucement sur les conducteurs pour vérifier qu'ils sont bien fixés.

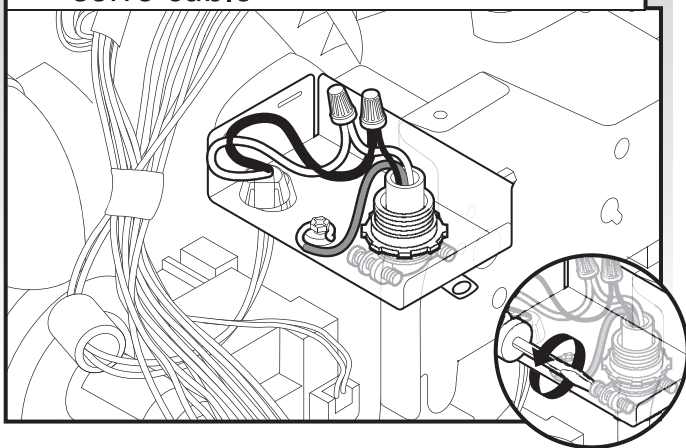
Connecter le conducteur noir avec le noir et le conducteur blanc avec le blanc à l'aide des connecteurs de fils (homologation UL ou CSA).

Configuration du câblage

Conducteur d'alimentation électrique :		Conducteur du boîtier de connexion :
blanc	↔	blanc
noir	↔	noir
fil de mise à la terre	↔	connecteur de mise à la terre

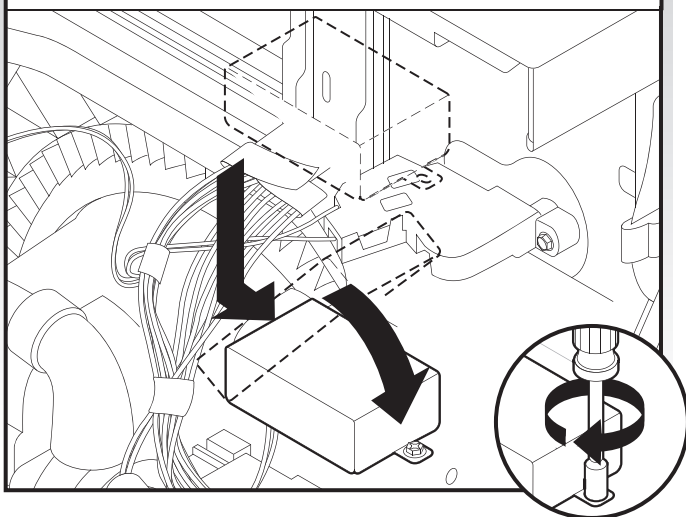
Au besoin, visiter le site Web pour une représentation vidéo de cette étape. Visiter www.kitchenaid.com/electrical sous l'onglet FAQ.

4 Cordon d'alimentation électrique - Fixation du cordon sur le serre-câble



Resserrer les vis de serre-câble pour fixer le cordon.

5 Cordon d'alimentation électrique - Réinstallation du couvercle du boîtier de connexion

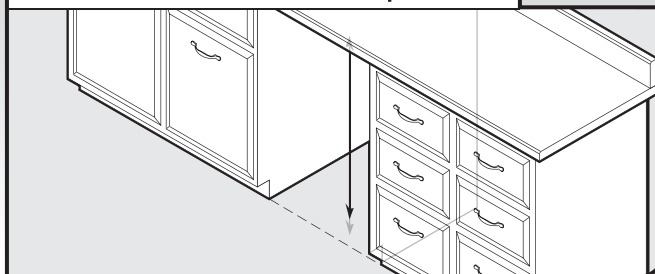


Placer les conducteurs à l'intérieur du boîtier de connexion. Insérer les languettes du côté gauche du couvercle. S'assurer que les fils sont bien logés à l'intérieur du boîtier. Fermer le couvercle tout en veillant à ne pas coincer de fils. Fixer le couvercle à l'aide d'une clé à douille, d'un tourne-écrou de 1/4" ou d'un tournevis Torx® T20® et de la vis précédemment retirée.

REMARQUE : Ne pas brancher dans une prise avant que les instructions ne le spécifient.

Évaluation de l'ouverture d'encastrement du placard

1 Mesure de l'ouverture d'encastrement du placard



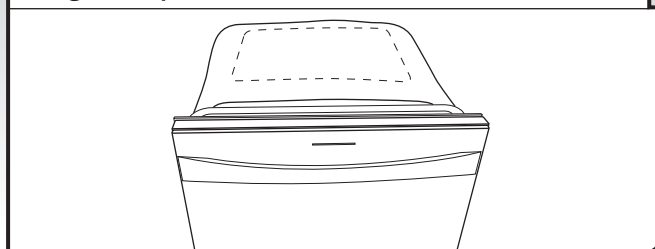
Mesurer la hauteur de l'ouverture d'encastrement du placard entre le dessous du plan de travail et le plancher, à l'emplacement d'installation du lave-vaisselle (la mesure doit être prise entre le point le plus bas depuis le dessous du plan de travail et le point le plus haut du plancher). Consulter le "Tableau de réglage de la hauteur du lave-vaisselle" pour la position des roulettes et le nombre de tours nécessaires.

REMARQUE : Si la hauteur libre minimale de l'ouverture d'encastrement du placard est inférieure à 34" (86,4 cm), on peut enlever les roulettes arrière pour obtenir un dégagement supplémentaire. On pourra ainsi installer le lave-vaisselle et la section perforée de la plaque d'insonorisation dans une ouverture d'encastrement du placard d'une hauteur de 33 1/2" (85,1 cm), mais il sera plus difficile de déplacer le lave-vaisselle. Les mesures ne sont pas exactes. Les roulettes et les pieds sont pré-réglés à l'usine pour une hauteur de 34 1/2" (87,6 cm).

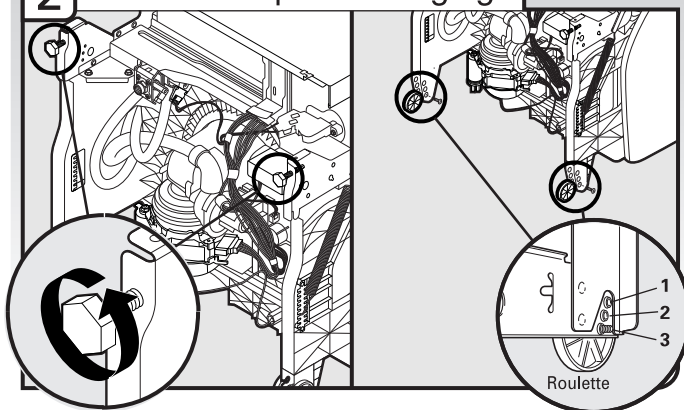
Tableau de réglage de la hauteur du lave-vaisselle

Hauteur d'ouverture du placard	Position des roulettes	Nombre de tours sur le pied avant
33 1/2" (85,1 cm)	Enlevées	Jusqu'en haut
34" (86,4 cm)	1	10
34 1/4" (87 cm)	2	5
34 1/2" (87,6 cm)	3	0

Découper la plaque d'insonorisation le long des perforations

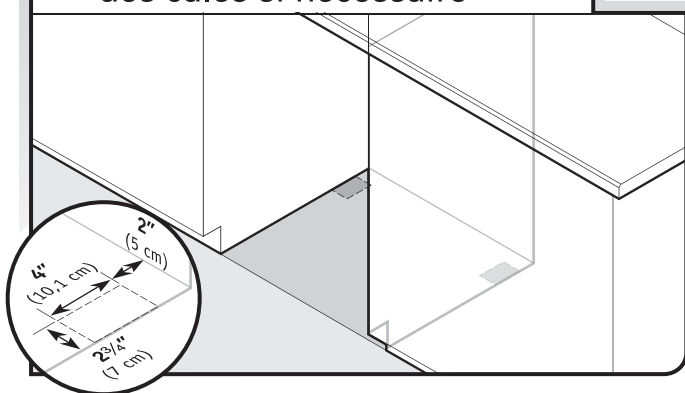


2 Roulettes et pieds - Réglage



Régler les deux pieds de nivellement à la même hauteur. Placer les roulettes à la position requise déterminée à partir du "Tableau de réglage de la hauteur du lave-vaisselle".

3 Planchers surélevés - Ajouter des cales si nécessaire

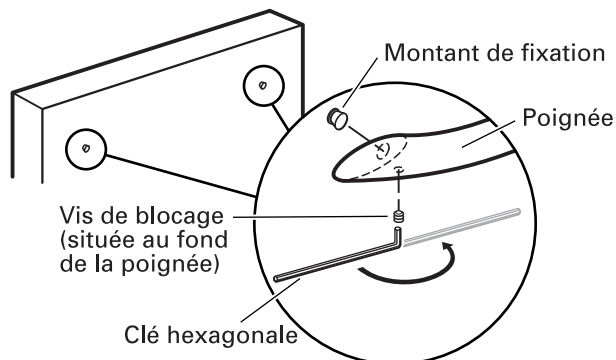


Planchers surélevés : Si la hauteur du plancher de la cuisine est supérieure à celle du plancher de l'ouverture d'encastrement du placard, par exemple, le carrelage du plancher de la cuisine n'arrive pas jusque dans l'ouverture du placard : ajouter des cales selon le besoin dans la zone indiquée pour placer le lave-vaisselle à une hauteur maximale de 34" (86,4 cm) sous le plan de travail.

REMARQUE : Pour éviter tout déplacement des cales durant le fonctionnement du lave-vaisselle, les cales doivent être solidement fixées au plancher.

Installation de la poignée de porte (sur certains modèles)

Installation de la poignée de porte



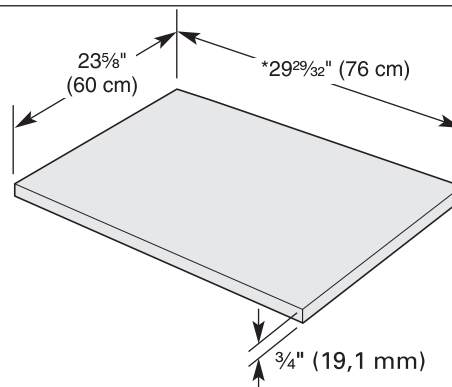
IMPORTANT : Ne pas érafler le panneau avant durant ce processus.

Ôter la poignée de porte et le sachet de pièces contenant les vis de blocage et la clé hexagonale du carton. Les vis de blocage sont déjà fixées dans la poignée. Placer la poignée sur les montants de fixation avec les vis de blocage orientées vers le bas. Pousser la poignée de porte fermement en appui contre la porte. Insérer le côté court de la clé hexagonale dans les vis de blocage. Serrer les vis d'un quart de tour au-delà de la butée.

Conserver la clé hexagonale avec les instructions d'installation.

Dimensions du panneau personnalisé

Dimensions du panneau personnalisé pour lave-vaisselle avec tableau de commande sur le dessus



*Cette dimension correspond à une plinthe de 4" (10,2 cm). Si l'installation nécessite une plinthe plus haute, ajuster la hauteur du panneau de bois en fonction - sauf pour les modèles avec ProDry™. Déconseillé pour les plinthes de plus de 6" (15,2 cm).

Installation du panneau personnalisé

Exécuter les étapes ci-dessous :

Le poids du panneau fourni par le client ne doit pas dépasser 16 lb (7,3 kg), et il doit respecter des dimensions spécifiques. Du fait de la précision dimensionnelle nécessaire, il est recommandé que le panneau fourni par le client soit réalisé par un ébéniste.

REMARQUES :

- La poignée du panneau personnalisé n'est pas incluse.
- Les articles de quincaillerie fournis sont utilisables avec un panneau de bois de $\frac{3}{4}$ " (19,1 mm) d'épaisseur; dans le cas d'un panneau plus mince ou constitué d'un autre matériau, l'installateur doit obtenir les vis de longueur appropriée et ajuster les avant-trous en conséquence.

IMPORTANT : Pour éviter tout dommage dû à l'humidité, appliquer sur les deux faces et sur les quatre rives du panneau un bouche-pores résistant à l'humidité.

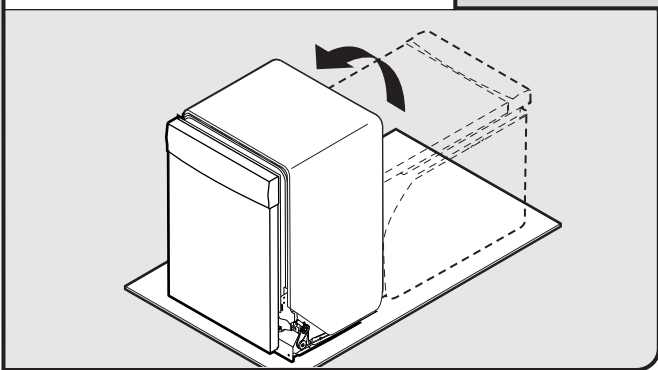
⚠ AVERTISSEMENT

Risque du poids excessif

Utiliser deux personnes ou plus pour déplacer et installer le lave-vaisselle.

Le non-respect de cette instruction peut causer une blessure au dos ou d'autre blessure.

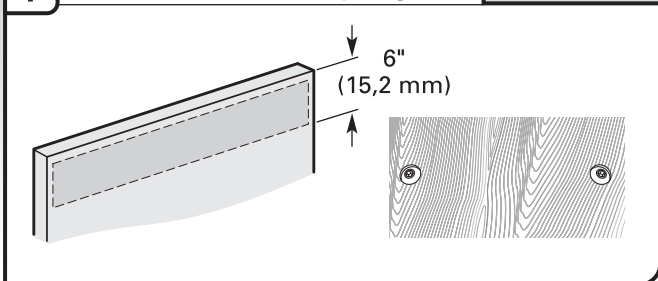
Mise en position verticale du lave-vaisselle



À l'aide d'au moins deux personnes, mettre le lave-vaisselle en position verticale.

REMARQUE : Ne pas installer le garde-pieds avant que les instructions ne le spécifient.

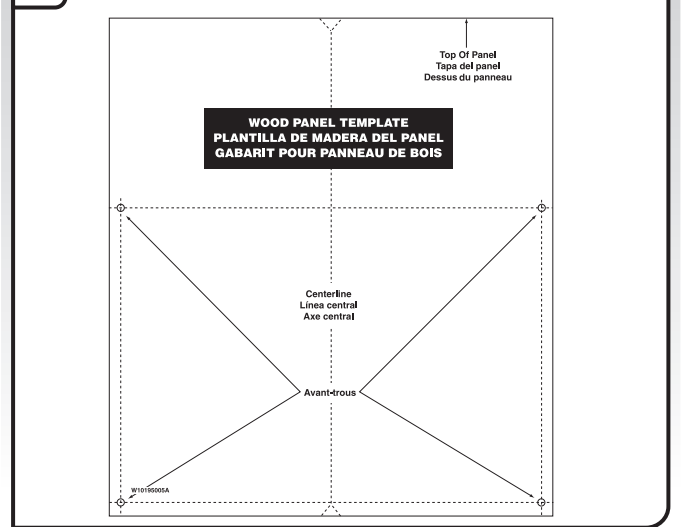
1 Installation de la poignée



Installer la/les poignée(s) personnalisée(s) sur le devant du panneau en bois dans la ligne pointillée.

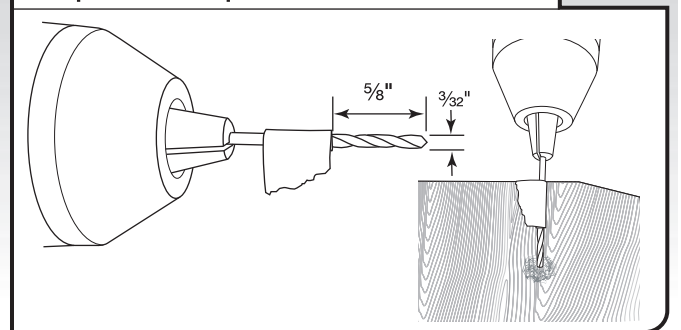
IMPORTANT : Si la poignée est fixée par l'arrière du panneau personnalisé, fraiser les trous de vis pour que les têtes de vis soient en affleurement avec la surface du panneau. Si la poignée est fixée à l'avant du panneau personnalisé, la longueur des vis ne doit pas dépasser l'épaisseur du panneau.

2 Gabarit pour panneau



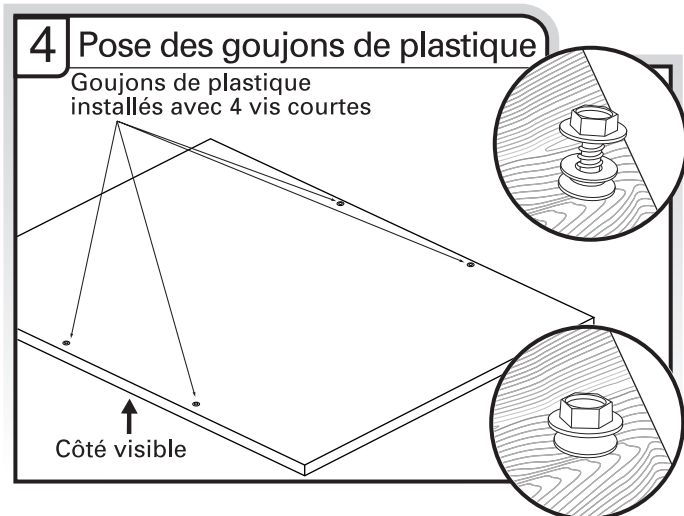
Fixer le gabarit fourni à l'arrière du panneau personnalisé avec du ruban adhésif. Veiller à aligner l'axe central du gabarit avec le centre du panneau de bois, et à aligner le sommet du gabarit avec la rive supérieure du panneau de bois.

3 Préperçage des trous dans le panneau personnalisé

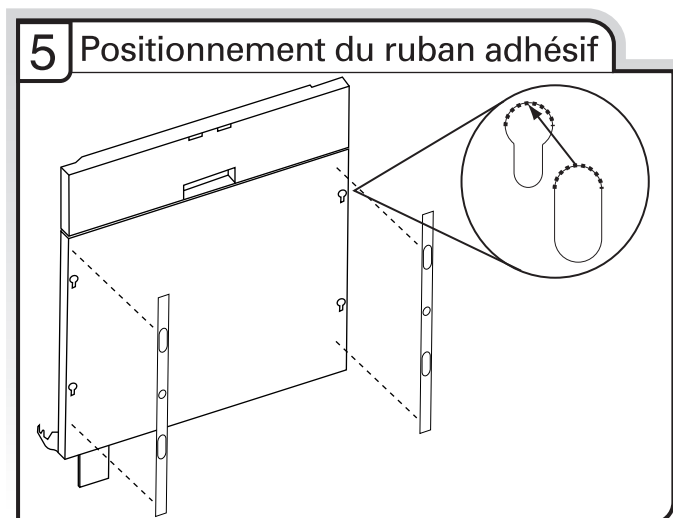


REMARQUE : Veiller à ne pas traverser le panneau – la profondeur des trous ne doit pas dépasser $\frac{5}{8}$ " (16 mm). La profondeur indiquée pour les avant-trous correspond à un panneau d'épaisseur $\frac{3}{4}$ " (19 mm).

Utiliser le gabarit fourni pour marquer la position de 4 avant-trous sur le panneau de bois. Pré-percer 4 avant-trous avec un foret de $\frac{3}{32}$ ". Utiliser du ruban adhésif pour marquer sur le foret la profondeur à ne pas dépasser pour les trous. Percer les avant-trous à une profondeur d'environ $\frac{5}{8}$ " (16 mm) dans le panneau personnalisé.

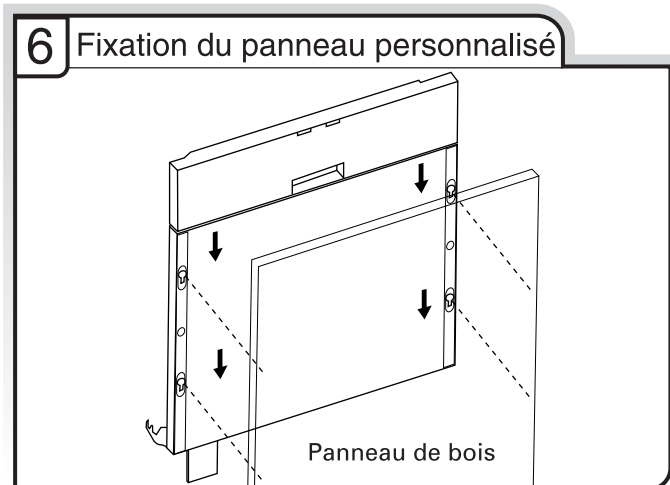


Fixer les 4 goujons de plastique sur le panneau de bois avec les 4 vis courtes fournies ($\frac{3}{16}$ " , tête hexagonale).

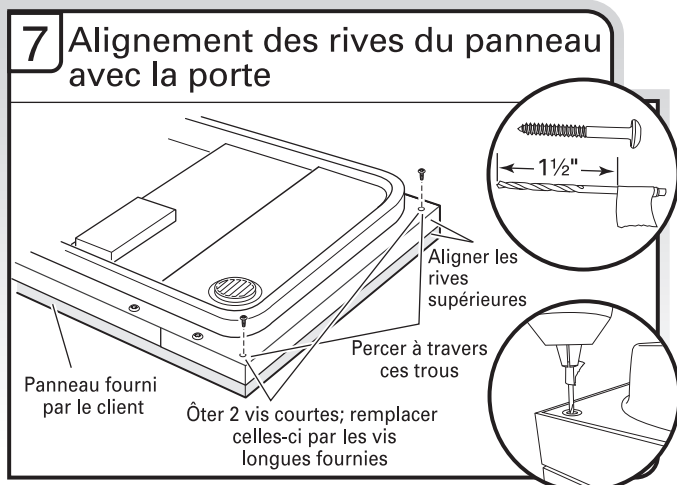


Vérifier l'alignement du ruban adhésif sur mesure avec les encoches de la porte métallique. Vérifier que la face supérieure du ruban adhésif est bien orientée vers le haut et que le ruban ne dépasse pas de la porte métallique au niveau des bords supérieurs, inférieurs et latéraux. Retirer l'endos du ruban adhésif sur mesure en tirant la doublure droit vers le bas. Aligner le ruban adhésif sur mesure avec les encoches en trou de serrure de la porte métallique et l'appliquer (voir l'illustration). Répéter l'opération pour chaque côté.

REMARQUE : La colle du ruban adhésif est puissante; le ruban doit donc être correctement aligné et fixé sur la porte métallique dès le premier essai.

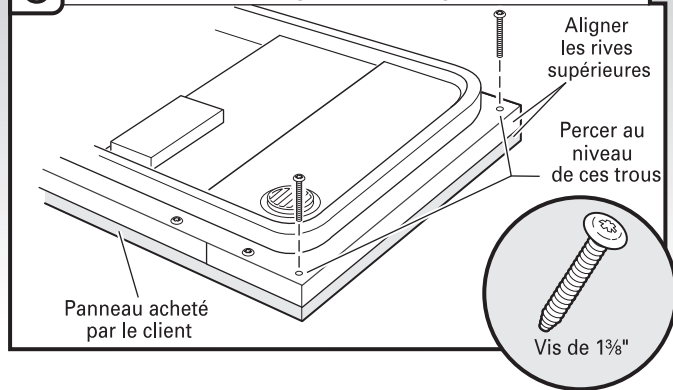


Aligner les goujons de plastique (sur le panneau de bois personnalisé) avec les trous en forme de trou de serrure (sur la porte). Veiller à bien engager les 4 goujons de plastique dans les trous allongés (forme de trou de serrure). Laisser glisser le panneau de bois vers le bas pour placer la rive supérieure du panneau de bois en affleurement avec le sommet de la porte.



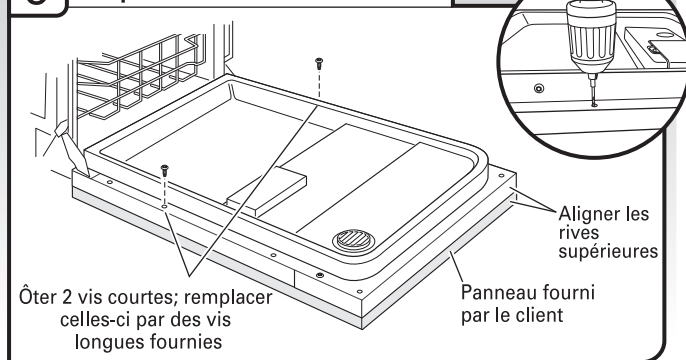
Ouvrir la porte et aligner les rives supérieures. Pré-percer deux avant-trous avec un foret de $\frac{3}{32}$ ". Utiliser du ruban adhésif pour marquer sur le foret la profondeur à ne pas dépasser pour les trous. Perçer les avant-trous à une profondeur d'environ $1\frac{1}{2}$ " (3,8 cm) dans les angles supérieurs de la porte (utiliser comme guide le trou dans la doublure de la porte).

8 Installation du panneau personnalisé



À l'aide d'un tournevis Torx® T15®, installer deux vis n° 8 x 1 3/8" dans les angles supérieurs pour fixer le panneau de bois personnalisé en place.

9 Dépose des vis courtes



Retirer les vis courtes (troisièmes à partir du sommet) de chaque côté du panneau de porte intérieur. Pré-percer 2 avant-trous en utilisant un foret de 3/32". Utiliser du ruban adhésif pour marquer le foret et calibrer la profondeur des trous. Percer des avant-trous d'environ 1 1/2" (3,8 cm) dans le panneau en utilisant le trou de la doublure de la porte comme guide. Installer les 2 vis longues restantes.

Choix de l'option de fixation

AVERTISSEMENT

Risque du poids excessif

Utiliser deux personnes ou plus pour déplacer et installer le lave-vaisselle.

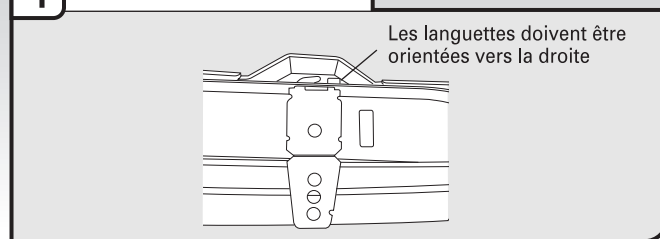
Le non-respect de cette instruction peut causer une blessure au dos ou d'autre blessure.

Utiliser au moins deux personnes pour déplacer et installer le lave-vaisselle.

IMPORTANT : Le lave-vaisselle doit être fixé au placard. On trouvera deux attaches dans le sachet de pièces. Fixer les attaches en suivant les instructions de l'option A si le plan de travail est en bois, en revêtement stratifié ou s'il est composé d'un autre matériau de surface similaire. Si le plan de travail est en marbre, en granite ou autre matériau solide, effectuer l'installation en suivant l'option B.

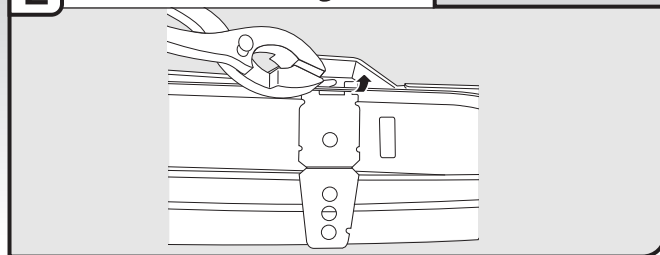
Option A, Fixation au plan de travail :

1 Insertion de la bride



Retirer les brides de l'emballage et les insérer dans les fentes ouvertes sur les côtés supérieurs droit et gauche du collet du lave-vaisselle, tel qu'indiqué.

2 Rabattre la languette



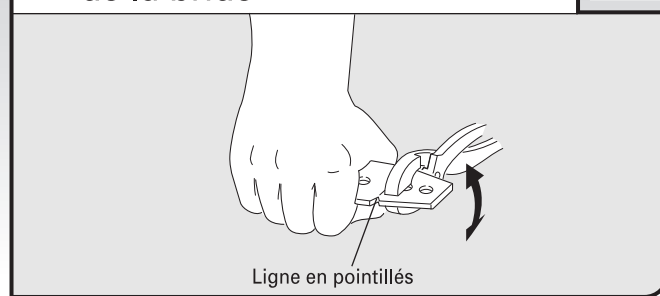
À l'aide d'une pince, replier la languette vers le bas pour fixer la bride. Répéter cette étape pour l'autre côté.

REMARQUE : Ne pas fixer le lave-vaisselle. Ceci sera fait ultérieurement.

Option B, Fixation au côté du lave-vaisselle :

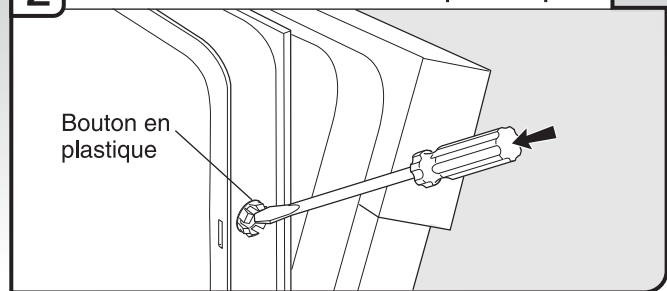
REMARQUE : Retirer les brides du sachet de pièces.

1 Sectionnement de l'extrémité de la bride



Briser l'extrémité de la bride le long de la ligne en pointillés. Avec l'aide d'une autre personne pour maintenir l'arrière du lave-vaisselle et l'empêcher de basculer, ouvrir la porte du lave-vaisselle et placer une serviette sur la pompe et le bras d'aspersion du lave-vaisselle. Ceci empêchera les vis de tomber dans la pompe lors de la fixation du lave-vaisselle au placard.

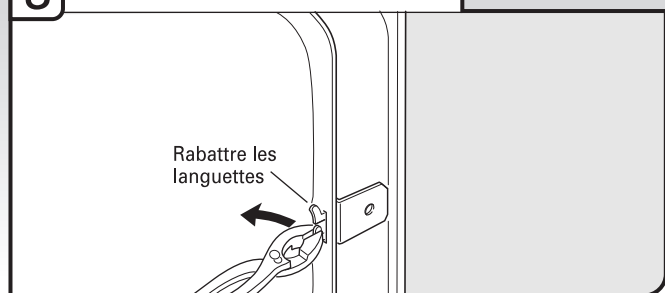
2 Retirer les boutons en plastique



Pousser sur les boutons en plastique pour les extraire du côté de la cuve.

REMARQUE : Conserver les boutons à part pour recouvrir les trous une fois le lave-vaisselle installé.

3 Installation de la bride

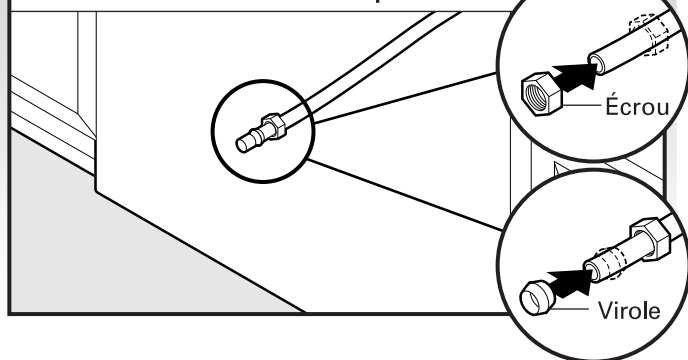


Enfoncer la bride dans la fente sur le côté du lave-vaisselle et replier la languette vers le côté du lave-vaisselle afin de maintenir la bride en place. Répéter cette étape pour l'autre côté du lave-vaisselle.

REMARQUE : Ne pas fixer le lave-vaisselle. Ceci sera fait ultérieurement.

Préparation de la canalisation d'alimentation en eau

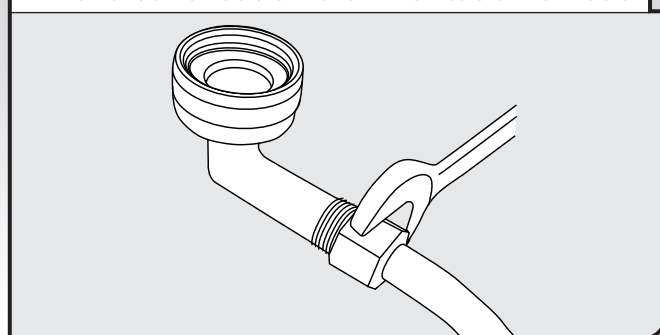
1 Enfiler l'écrou et la virole sur le tube (tube de cuivre uniquement)



Canalisation en cuivre uniquement : Enfiler l'écrou puis la virole sur la canalisation de cuivre, sur environ 1" (2,5 cm).

REMARQUE : Pour réduire les vibrations durant le fonctionnement, acheminer la canalisation d'alimentation en eau de telle manière qu'elle ne touche pas la base, le châssis ou le moteur de l'appareil.

2 Raccorder le raccord coudé de 90° à la canalisation d'alimentation en eau



Raccorder le raccord de compression de $\frac{3}{8}$ " du coude à 90° à la canalisation d'alimentation en eau avant d'installer l'appareil dans l'ouverture découpée dans le placard. Le fixer de façon à ce que le raccord de $\frac{3}{4}$ " soit orienté vers le haut, tel qu'illustré ci-dessus.

Canalisation en cuivre uniquement : Insérer la canalisation dans le raccord coudé de 90° aussi loin que possible (la canalisation en cuivre se plie et s'écrase facilement). Faire glisser l'écrou et la virole vers l'avant et engager l'écrou sur le filetage du raccord coudé.

Raccord flexible tressé : Fixer l'écrou sur le coude à l'aide d'une clé plate ou d'une clé à molette de $\frac{5}{8}$ ".

REMARQUE : Ne pas utiliser de ruban adhésif Teflon®† avec les raccords de compression.

†®TEFLON est une marque déposée de E.I. Du Pont De Nemours et compagnie.

Déplacement du lave-vaisselle à proximité de l'ouverture d'encastrement du placard

⚠ AVERTISSEMENT

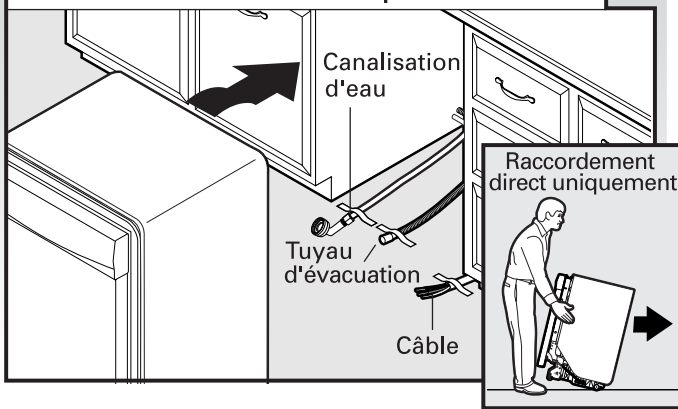
Risque du poids excessif

Utiliser deux personnes ou plus pour déplacer et installer le lave-vaisselle.

Le non-respect de cette instruction peut causer une blessure au dos ou d'autre blessure.

Utiliser deux personnes ou plus pour déplacer et installer le lave-vaisselle.

1 Déplacement du lave-vaisselle à proximité de l'ouverture d'encastrement du placard

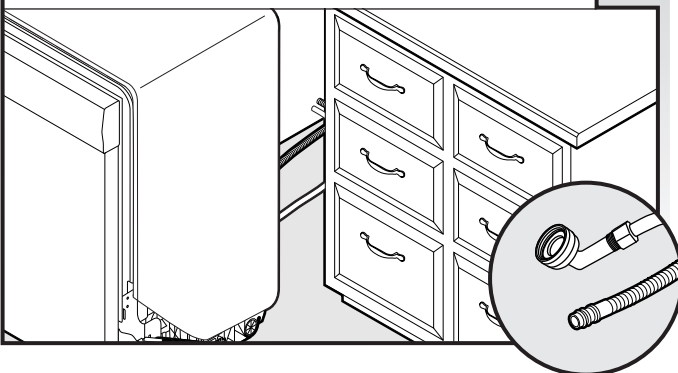


IMPORTANT : Vérifier que le câblage et les canalisations sont installés au bon endroit. Saisir les côtés du lave-vaisselle par les rebords du panneau de porte. Incliner le lave-vaisselle vers l'arrière sur ses roulettes et approcher l'appareil de l'ouverture dans le placard.

REMARQUE : Ne pas pousser sur l'avant du panneau ou sur la console. Ceci pourrait laisser des indentations sur le panneau ou la console.

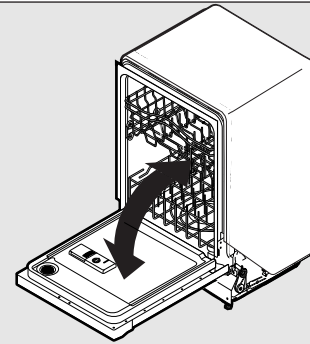
Conseil utile : Fixer temporairement le câblage et les canalisations au plancher avec du ruban adhésif aux emplacements indiqués pour l'empêcher de bouger lors de l'insertion du lave-vaisselle dans l'ouverture du placard.

2 Vérification de la position de la canalisation d'eau et du tuyau d'évacuation



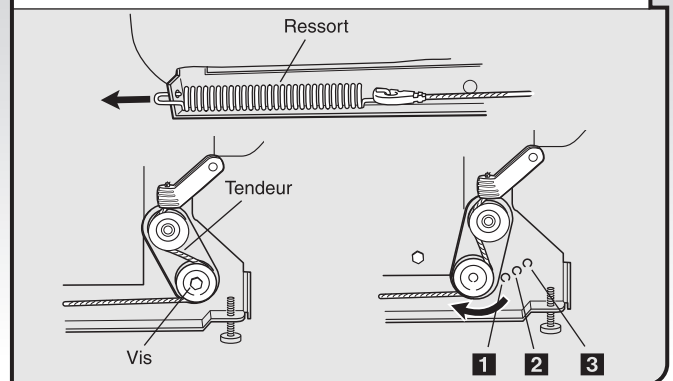
Vérifier que la canalisation d'eau se trouve sur le côté gauche de l'ouverture du placard, et que le tuyau d'évacuation se trouve près du centre de l'ouverture du placard.

3 Ouverture et fermeture de la porte



Alors qu'une autre personne retient l'appareil pour l'empêcher de basculer, ouvrir et refermer la porte plusieurs fois. Si la porte se ferme ou s'ouvre sous l'effet de son propre poids, il sera nécessaire d'ajuster la tension du ressort de la porte.

4 Se ferme trop rapidement – Réduction de la tension du ressort



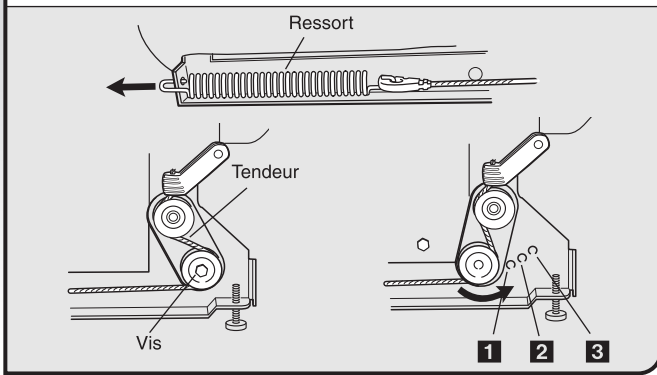
Pour régler la tension du ressort de la porte, détacher le ressort du pied arrière du lave-vaisselle.

À l'aide d'un tourne-écrou ou d'une clé à douille à tête hexagonale de $\frac{5}{16}$ " , ôter la vis du tendeur.

La vis peut être placée dans l'un des trois trous (1, 2, 3) dans le pied avant du lave-vaisselle. Si la porte se ferme d'elle-même, déplacer le tendeur vers un trou numéroté inférieur et replacer la vis. Fixer à nouveau le ressort de la porte au pied arrière.

REMARQUE : Les tendeurs des deux côtés du lave-vaisselle doivent être fixés aux mêmes trous.

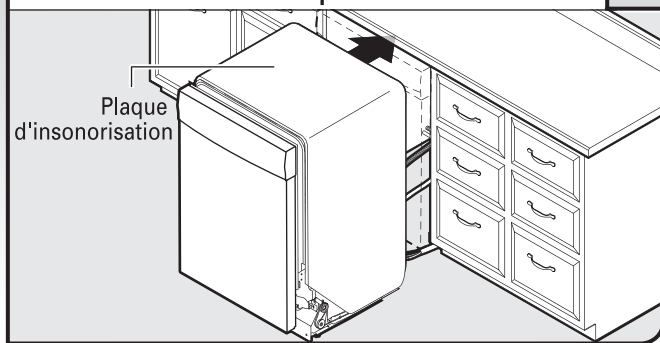
5 La porte s'ouvre et retombe - Augmentation de la tension du ressort



Lorsque la porte est déverrouillée, si elle s'ouvre d'elle-même, déplacer le tendeur vers un trou numéroté supérieur et replacer la vis. Fixer à nouveau le ressort de la porte au pied arrière.

REMARQUE : Les tendeurs des deux côtés du lave-vaisselle doivent être fixés aux mêmes trous.

6 Insertion du lave-vaisselle dans l'ouverture du placard

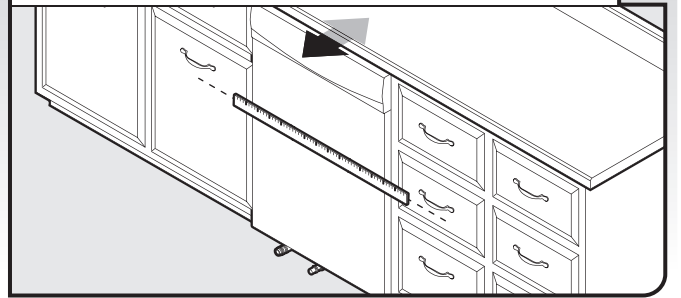


IMPORTANT : Si l'on enlève les roulettes, protéger le plancher lors des déplacements du lave-vaisselle. Insérer lentement et complètement le lave-vaisselle dans l'ouverture d'encastrement du placard. Veiller à ne pas coincer ou déformer la canalisation, le tuyau d'évacuation, le cordon d'alimentation ou le câble de raccordement direct entre le lave-vaisselle et le placard. Enlever le carton placé sous le lave-vaisselle.

REMARQUES :

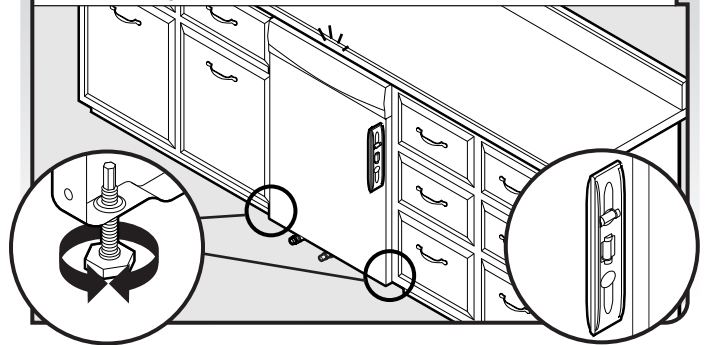
- Le fait qu'il n'y ait que peu d'espace entre le lave-vaisselle et l'ouverture d'encastrement du placard ne pose pas de problème. Ne pas enlever la plaque d'insonorisation – celle-ci réduit le niveau sonore.
- En cas d'utilisation d'un cordon d'alimentation, veiller à acheminer l'extrémité de celui-ci dans le trou de l'ouverture découpée avant d'insérer le lave-vaisselle dans l'ouverture du placard.
- Pour les modèles équipés d'un adoucisseur d'eau, s'assurer que le tuyau de vidange reste accroché sur le support situé du côté droit et qu'il est rangé sur le côté de l'appareil.

7 Alignement de l'avant du lave-vaisselle avec l'avant des portes de placard



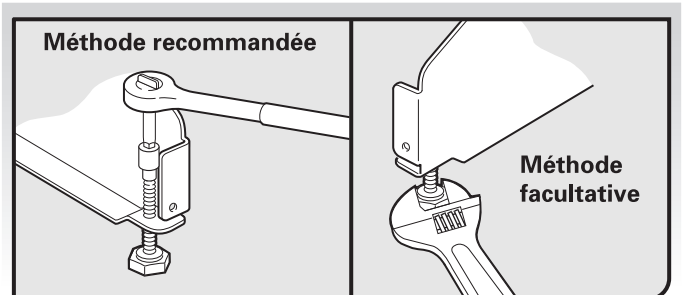
Aligner l'avant du panneau de porte du lave-vaisselle avec l'avant des portes des placards. Il faudra peut-être ajuster l'alignement de celui-ci pour qu'il soit en affleurement avec les placards.

8 Vérification de l'aplomb et réglage des pieds si nécessaire

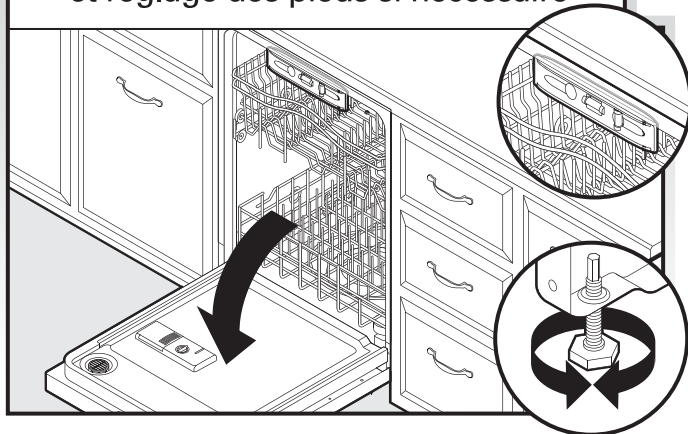


Vérifier que chaque pied de réglage de l'aplomb est fermement en appui sur le sol. Fermer et verrouiller la porte; placer un niveau contre le panneau avant. Vérifier que le lave-vaisselle est centré de l'avant vers l'arrière dans l'ouverture. Si nécessaire, régler le pied de nivellement jusqu'à ce que le lave-vaisselle soit d'aplomb. Répéter ces opérations pour l'autre côté du lave-vaisselle.

Conseil utile : Pousser contre l'avant du lave-vaisselle pour le soulever et pouvoir ajuster les pieds avant. Pour certaines installations, il peut être plus facile de régler le pied avant à l'aide d'une clé à douille hexagonale ou une clé à molette de $\frac{3}{16}$ ".



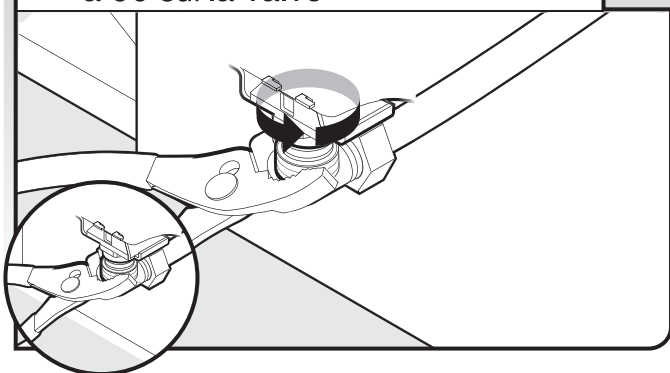
9 Vérification de l'aplomb transversal et réglage des pieds si nécessaire



Placer le niveau contre la partie supérieure de l'ouverture avant de la cuve. Vérifier l'aplomb transversal de l'appareil. Si le lave-vaisselle n'est pas d'aplomb, régler la hauteur des pieds avant vers le haut ou vers le bas jusqu'à ce que le lave-vaisselle soit d'aplomb.

Raccordement à l'alimentation en eau

1 Serrage du raccord coudé à 90° sur la valve



S'assurer que la rondelle de caoutchouc est correctement installée dans le raccord. Enfiler le raccord de $\frac{3}{4}$ " du coude à 90° jusqu'au robinet et serrer à la main pour éviter de visser de travers. Serrer à la main jusqu'à ce que le raccord soit serré.

À l'aide d'une pince, vérifier l'étanchéité du raccord. $\frac{1}{4}$ à $\frac{1}{2}$ tour supplémentaire peut s'avérer nécessaire pour créer l'étanchéité du joint de caoutchouc.

REMARQUE : Ne pas trop serrer. Le raccord risque d'être endommagé.

2 Recherche de fuites



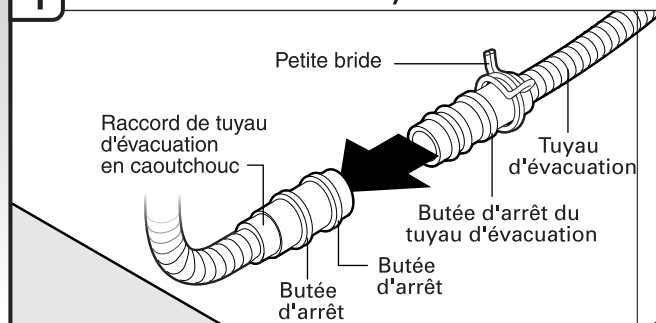
Placer une serviette de papier sous le raccord coudé à 90°. Ouvrir l'alimentation en eau et inspecter pour identifier toute fuite. Si une fuite se produit, répéter l'étape précédente.

Au besoin, visiter le site Web pour une représentation vidéo de cette étape. Visiter www.kitchenaid.com/watersupply sous l'onglet FAQ.

REMARQUE : Ne pas utiliser de ruban adhésif Teflon® avec les raccords de compression.

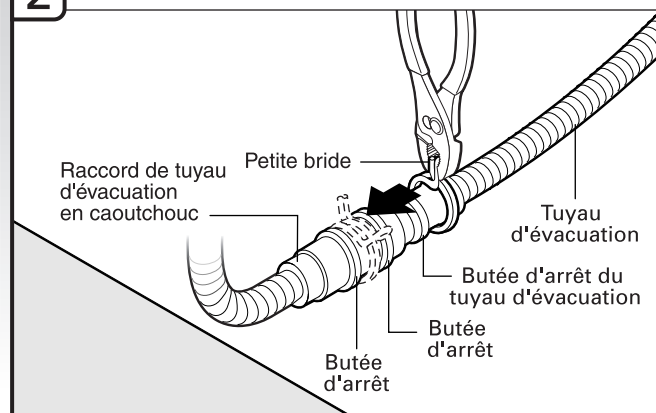
Raccordement au circuit d'évacuation

1 Raccordement du tuyau d'évacuation



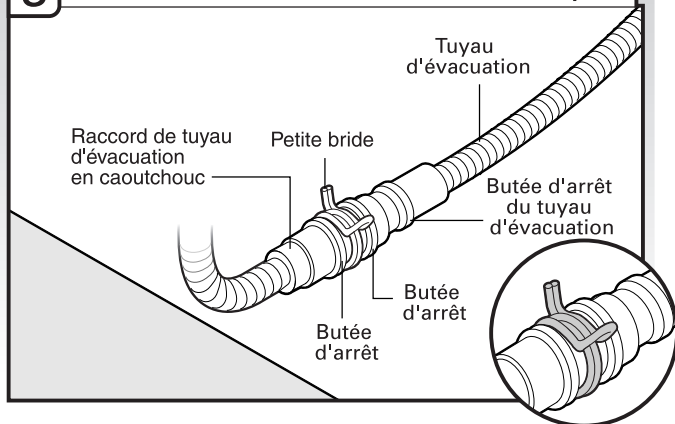
Placer une serviette sous le tuyau d'évacuation pour récupérer l'eau restée dans le tuyau d'évacuation. Placer la petite bride pour tuyau d'évacuation sur la petite extrémité du tuyau d'évacuation. Enfoncer le tuyau d'évacuation neuf dans le connecteur en caoutchouc du tuyau d'évacuation jusqu'à la butée d'arrêt du tuyau d'évacuation.

2 Enfilement de la bride sur le raccord



À l'aide d'une pince, ouvrir la petite bride de tuyau d'évacuation en la serrant et la faire glisser sur le connecteur, entre les butées.

3 Position définitive de la bride de tuyau



Une fois le tuyau raccordé, ôter la serviette.

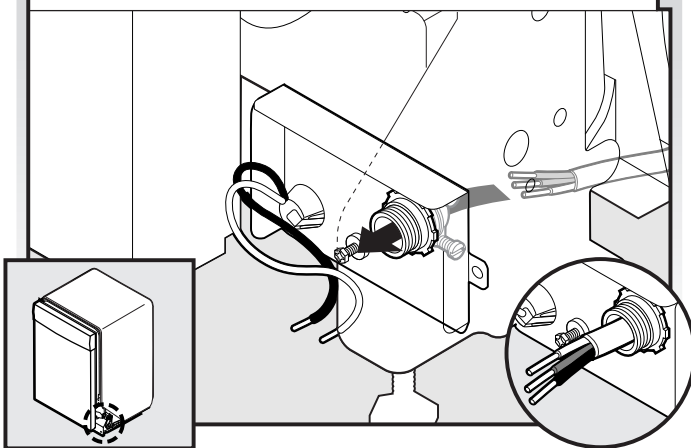
Au besoin, visiter le site Web pour une représentation vidéo de cette étape. Visiter www.kitchenaid.com/drain sous l'onglet FAQ.

Raccordement électrique direct

REMARQUE : Si le cordon d'alimentation a été raccordé précédemment, passer à la section "Fixation du lave-vaisselle dans l'ouverture d'encastrement du placard".

Option B, raccordement direct :

1 Raccordement direct - Acheminement du câble dans le boîtier de connexion



Acheminer le cordon d'alimentation de façon à ce qu'il ne touche ni le moteur du lave-vaisselle, ni la partie inférieure de la cuve du lave-vaisselle. Tirer le câble pour le faire passer à travers le serre-câble (homologation UL/CSA) dans le boîtier de connexion. Le serre-câble n'est pas fourni avec le lave-vaisselle. Le propriétaire doit acheter un serre-câble à vis de 7/8".

Sélectionner des connecteurs de fils (homologation UL ou CSA) (non fournis) conçus pour le raccordement du câblage du domicile au câblage de calibre 16 du lave-vaisselle.

⚠ AVERTISSEMENT



Risque de choc électrique

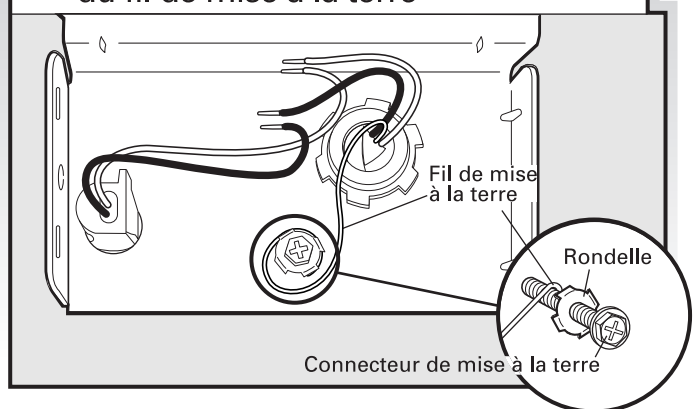
Relier le lave-vaisselle à la terre d'une méthode électrique.

Brancher le fil relié à la terre au connecteur vert relié à la terre dans la boîte de la borne.

Ne pas utiliser un câble de rallonge.

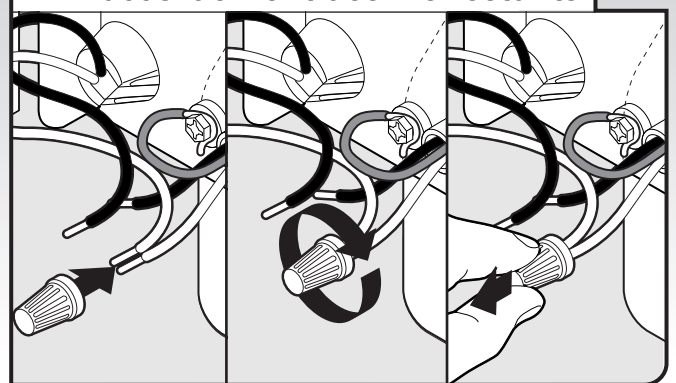
Le non-respect de ces instructions peut causer un décès, un incendie ou un choc électrique.

2 Raccordement direct - Raccordement du fil de mise à la terre



Former un crochet en U avec le conducteur nu de liaison à la terre. Enrouler le crochet du conducteur de liaison à la terre sur la vis du connecteur de liaison à la terre et sous la rondelle (dans le sens horaire). Serrer fermement le connecteur de liaison à la terre.

3 Raccordement direct - Raccordement des fils restants



REMARQUE : Installer un serre-câble (homologation UL ou CSA). Tirer doucement sur les conducteurs pour vérifier qu'ils sont bien fixés.

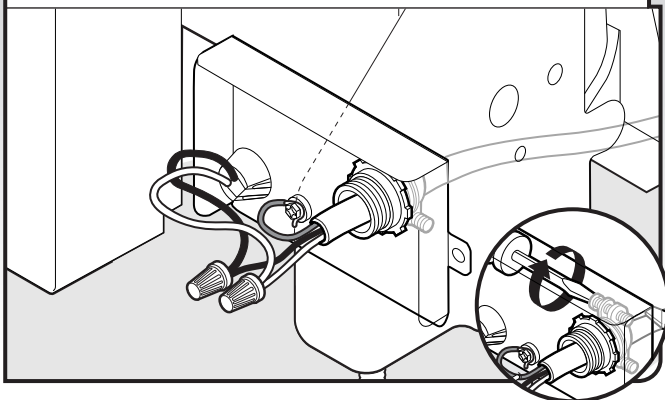
Connecter le conducteur noir avec le noir et le conducteur blanc avec le blanc à l'aide des connecteurs de fils (homologation UL ou CSA) (non fournis).

Configuration du câblage

Conducteur d'alimentation électrique :	Conducteur du boîtier de connexion :
blanc	blanc
noir	noir
fil de mise à la terre	connecteur de mise à la terre

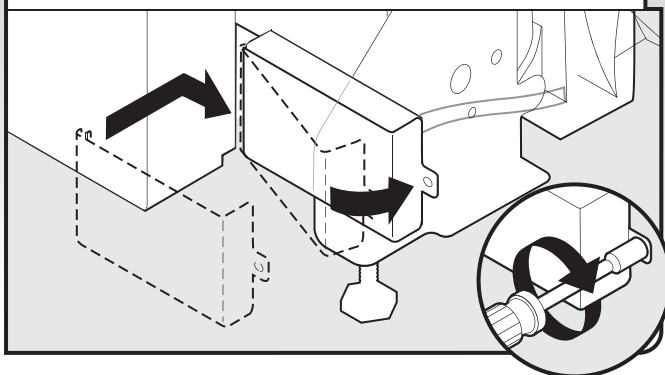
Au besoin, visiter le site Web pour une représentation vidéo de cette étape. Visiter www.kitchenaid.com/electrical sous l'onglet FAQ.

4 Raccordement direct - Fixation du câble dans le serre-câble



Resserrer les vis de serre-câble pour fixer le câble.

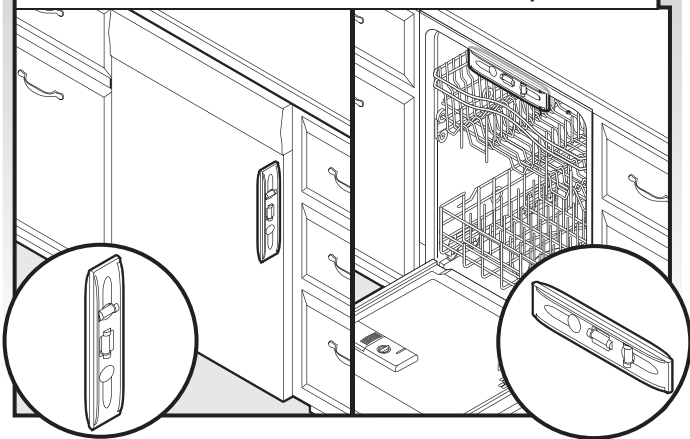
5 Raccordement direct - Réinstallation du couvercle du boîtier de connexion



Placer les conducteurs à l'intérieur du boîtier de connexion. Insérer les languettes du côté gauche du couvercle. S'assurer que les fils sont bien logés à l'intérieur du boîtier. Fermer le couvercle tout en veillant à ne pas coincer de fils. Fixer le couvercle à l'aide d'une clé à douille à tête hexagonale, d'un tourne-écrou de 1/4" ou d'un tournevis Torx® T20® et de la vis précédemment retirée.

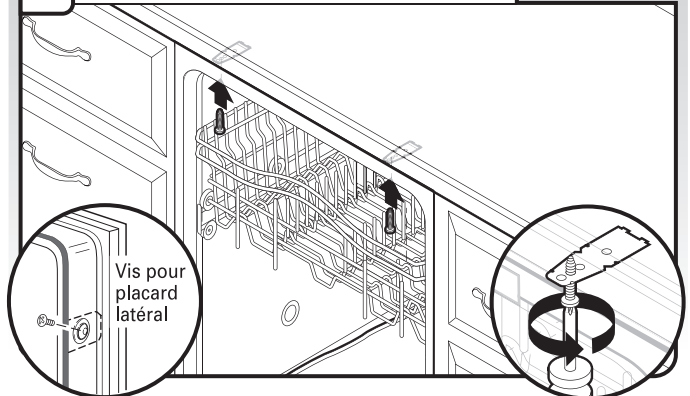
Fixation du lave-vaisselle dans l'ouverture d'encastrement du placard

1 Vérification de l'alignement du lave-vaisselle dans l'ouverture du placard



Vérifier que le lave-vaisselle est toujours d'aplomb d'avant en arrière et transversalement dans l'ouverture d'encastrement du placard.

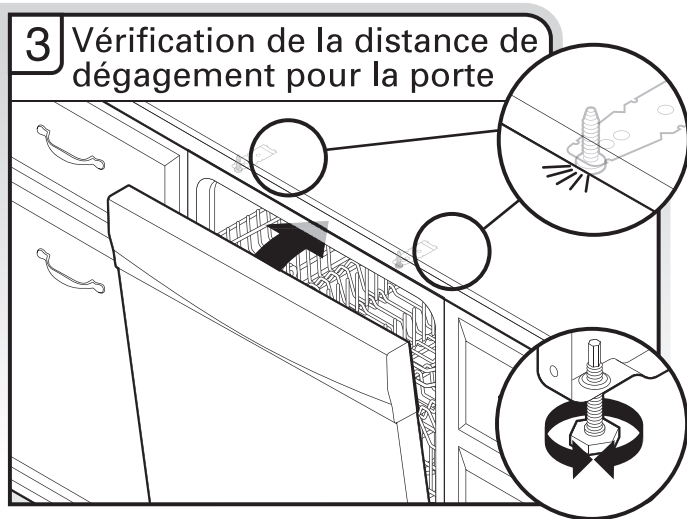
2 Fixation du lave-vaisselle



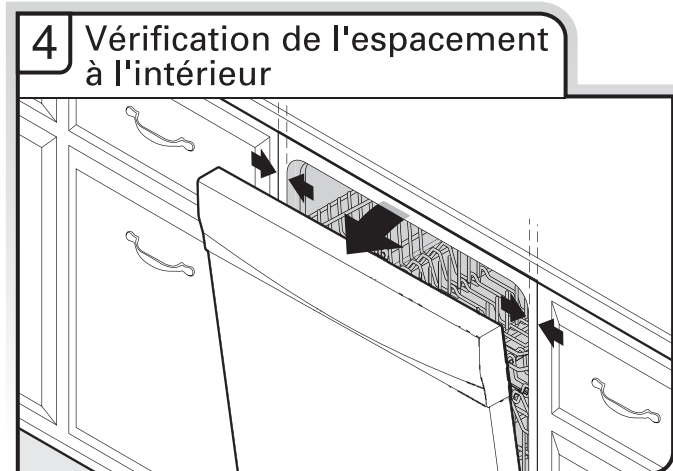
Ouvrir la porte du lave-vaisselle pour préparer la fixation de l'appareil au placard.

REMARQUES :

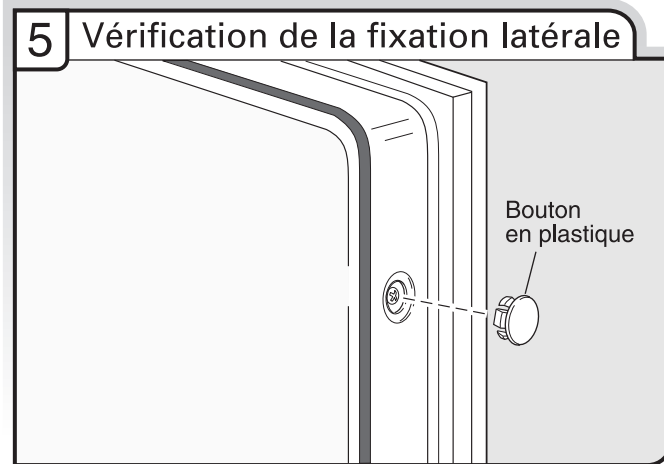
- Ne pas faire tomber de vis au fond du lave-vaisselle.
- Pour un montage latéral, il est impératif de percer des avant-trous dans le placard pour éviter toute fente dans le bois avant d'installer les vis. Localiser les brides sur le dessus du lave-vaisselle et fixer celui-ci au plan de travail à l'aide de deux vis Phillips n°10 x 1/2" (fournies). Le lave-vaisselle doit être immobilisé pour l'empêcher de basculer lors de l'ouverture de la porte.



Vérifier qu'il n'y a aucun contact entre le sommet de la porte et les vis, les brides ou le plan de travail. Régler les pieds de nivellement le cas échéant.



Ouvrir la porte et vérifier que la distance entre l'ouverture du placard pour l'installation du lave-vaisselle et la cuve est la même des deux côtés. Si la distance n'est pas la même, desserrer les vis des brides d'arrimage et déplacer légèrement la cuve. Resserrer les vis de brides.

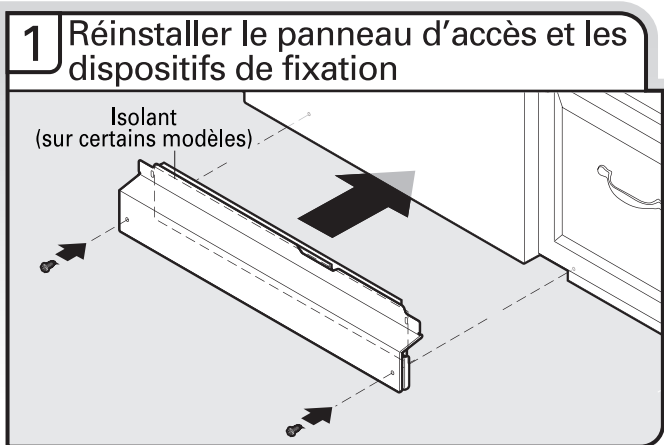


Dans le cas de la fixation sur les placards latéraux, vérifier que les côtés de la porte ne frottent pas contre les têtes de vis. S'il y a frottement, centrer à nouveau le lave-vaisselle. Une fois le lave-vaisselle correctement centré, réinstaller les bouchons d'obturation de plastique.

Au besoin, visiter le site Web pour une représentation vidéo de cette étape. Visiter www.kitchenaid.com/anchoring sous l'onglet FAQ.

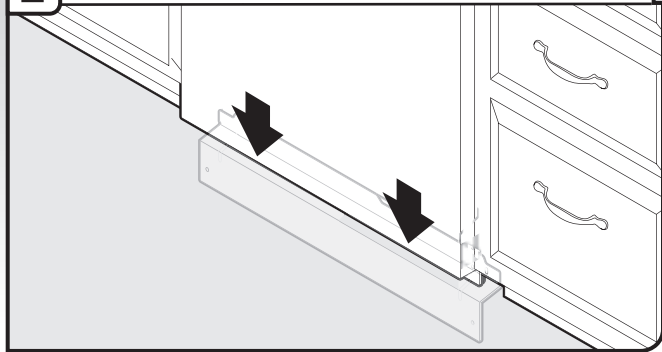
Achever l'installation

Option A : Installation du panneau d'accès – Panneau en plastique



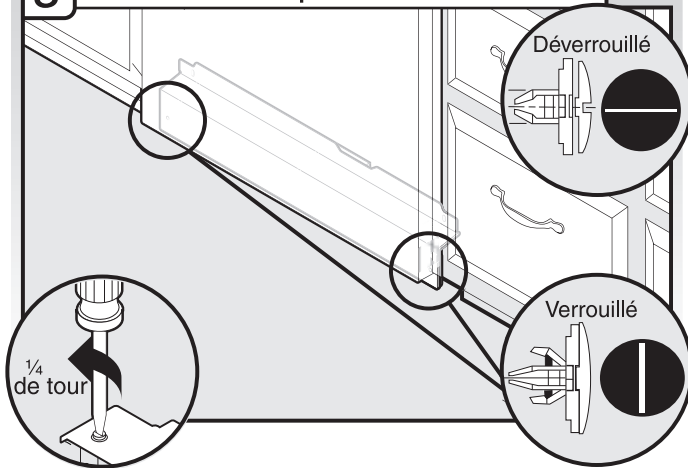
Placer le panneau d'accès en plastique contre le pied du lave-vaisselle.

2 Inspecter le bord du panneau d'accès



Vérifier que la rive inférieure du panneau d'accès est au contact du plancher. La réajuster au besoin.

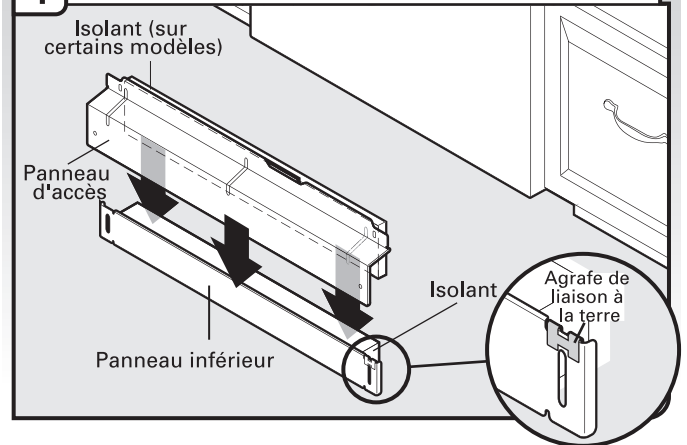
3 Serrer les dispositifs de fixation



À l'aide d'un tournevis à lame plate, tourner les dispositifs de fixation d'un quart de tour dans le sens horaire pour les emboîter. L'encoche des dispositifs de fixation est complètement à la verticale lorsqu'ils sont correctement emboîtés.

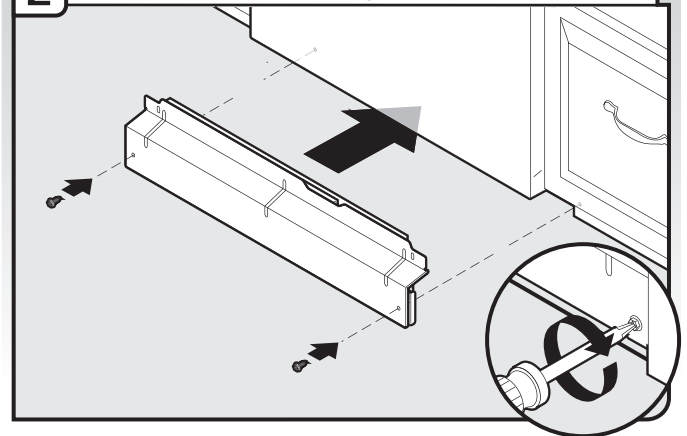
Option B : Installation du panneau d'accès – Panneau métallique

1 Réinstallation des panneaux d'accès



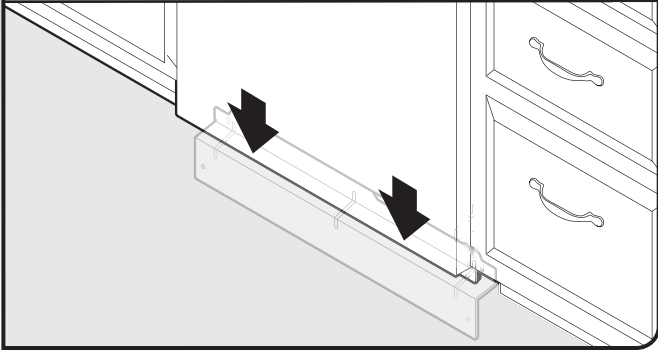
Vérifier que l'agrafe de liaison à la terre est fixée sur le panneau inférieur. Placer le panneau inférieur derrière le panneau d'accès. Sur certains modèles, il y a sur le panneau d'accès un matériau isolant qui devra être inséré derrière l'isolant du panneau inférieur.

2 Réinstallation des panneaux d'accès



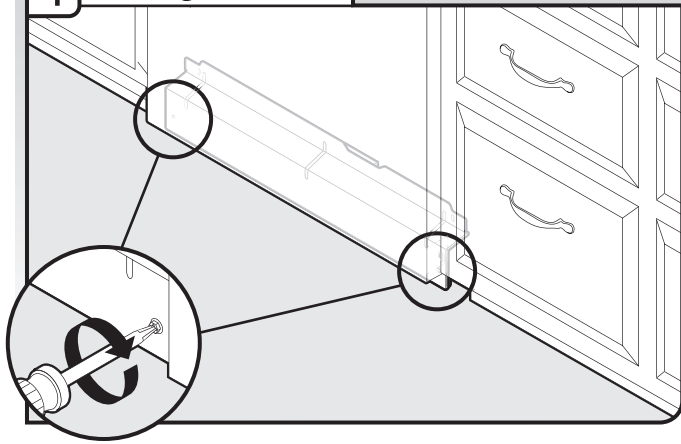
Maintenir les deux panneaux ensemble et les placer contre les pieds du lave-vaisselle. Réinstaller les vis à travers les trous du panneau d'accès et les fentes du panneau inférieur à l'aide d'un tournevis Phillips ou tournevis de 1/4".

3 Inspection de la rive de panneau inférieure



Vérifier que la rive inférieure du panneau inférieur est au contact du plancher. Le réajuster au besoin.

4 Serrage des vis



Serrer les vis du panneau d'accès.

⚠ AVERTISSEMENT



Risque de choc électrique

Brancher sur une prise à 3 alvéoles reliée à la terre.

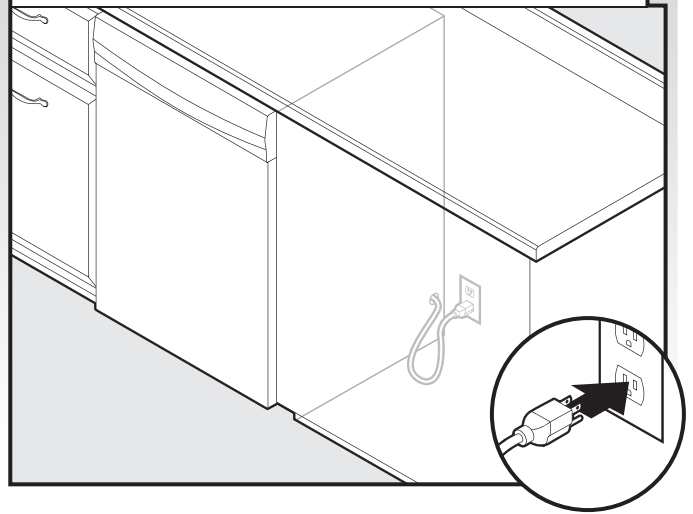
Ne pas enlever la broche de liaison à la terre.

Ne pas utiliser un adaptateur.

Ne pas utiliser un câble de rallonge.

Le non-respect de ces instructions peut causer un décès, un incendie ou un choc électrique.

1 Cordon d'alimentation électrique - Branchement dans une prise à 3 alvéoles reliée à la terre



Brancher sur une prise de courant à 3 alvéoles reliée à la terre. Vérifier l'absence de tout contact entre le cordon d'alimentation et le moteur du lave-vaisselle ou la partie inférieure de la cuve du lave-vaisselle.

Rétablir la source de courant électrique

1 Reconnexion de la source de courant électrique

Reconnecter la source de courant électrique au niveau du tableau de distribution ou du disjoncteur.

Contrôle du fonctionnement

- Lire les instructions d'utilisation du lave-vaisselle fournies avec le lave-vaisselle.
- Vérifier que toutes les pièces ont été installées et qu'aucune étape n'a été omise. Vérifier la présence de tous les outils.
- Mettre le lave-vaisselle en marche et commander l'exécution complète du programme de lavage le plus court. Après les deux premières minutes, déverrouiller la porte; attendre cinq secondes, puis ouvrir la porte. Vérifier qu'il y a bien de l'eau au fond de la cuve du lave-vaisselle. Vérifier que le lave-vaisselle fonctionne correctement.

Si ce n'est pas le cas, déconnecter la source de courant électrique ou débrancher le lave-vaisselle et voir la section "Si le lave-vaisselle ne fonctionne pas."

Si le lave-vaisselle ne fonctionne pas

Essayer d'abord les solutions suggérées ici pour éviter le coût d'une intervention de dépannage.

- Disjoncteur ouvert ou fusible grillé?
- Porte bien fermée et verrouillée?
- Sélection correcte du programme pour le démarrage du lave-vaisselle?
- Arrivée d'eau ouverte?

Si aucune de ces vérifications ne résout le problème, consulter le Guide d'utilisation et d'entretien pour obtenir les coordonnées.

Conseils supplémentaires

Prévoir des durées de lavage plus longues. La durée d'exécution des programmes de votre nouveau lave-vaisselle est d'environ 2 à 3 heures par charge, mais il utilise presque 40 % d'énergie de moins que des modèles plus anciens. Conçu pour une faible consommation d'ensemble avec un moteur à faible consommation d'énergie, votre lave-vaisselle lave plus longtemps pour garantir un lavage d'exception. Certains modèles sont dotés d'un capteur optique de niveau d'eau; pour ces modèles, le premier programme doit se calibrer en fonction du capteur optique et est donc plus long que les autres. La sélection de certaines options peut entraîner un allongement de la durée du programme et mener à une durée totale de plus de 3,5 heures.

L'agent de rinçage est essentiel pour un séchage satisfaisant : Afin d'obtenir un bon séchage et pour limiter l'accumulation de dépôts d'eau dure, ce lave-vaisselle est conçu pour être utilisé avec un agent de rinçage. Les lave-vaisselle éco-énergétiques consomment moins d'eau et d'énergie. Ils dépendent donc de l'effet "nappe d'eau" d'un agent de rinçage pour fournir un bon séchage.

Il est possible que le témoin lumineux Start/Resume (mise en marche/reprise) clignote :

Lorsque l'on appuie sur Start/Resume, (mise en marche/reprise), veiller à fermer la porte dans les 3 secondes qui suivent. Si l'on ne ferme pas la porte dans les 3 secondes qui suivent, le témoin lumineux Start/Resume (mise en marche/reprise) clignote jusqu'à ce que l'on appuie à nouveau dessus. (Cette opération est également nécessaire lors de l'ajout d'un plat au cours d'un programme.)

REMARQUE : Si l'on utilise un tuyau d'alimentation tressé, remplacer le tuyau d'alimentation après 5 ans d'utilisation pour réduire le risque de défaillance du tuyau. Inscrire la date d'installation ou de remplacement du tuyau sur celui-ci, pour référence ultérieure.

Free Manuals Download Website

<http://myh66.com>

<http://usermanuals.us>

<http://www.somanuals.com>

<http://www.4manuals.cc>

<http://www.manual-lib.com>

<http://www.404manual.com>

<http://www.luxmanual.com>

<http://aubethermostatmanual.com>

Golf course search by state

<http://golfingnear.com>

Email search by domain

<http://emailbydomain.com>

Auto manuals search

<http://auto.somanuals.com>

TV manuals search

<http://tv.somanuals.com>