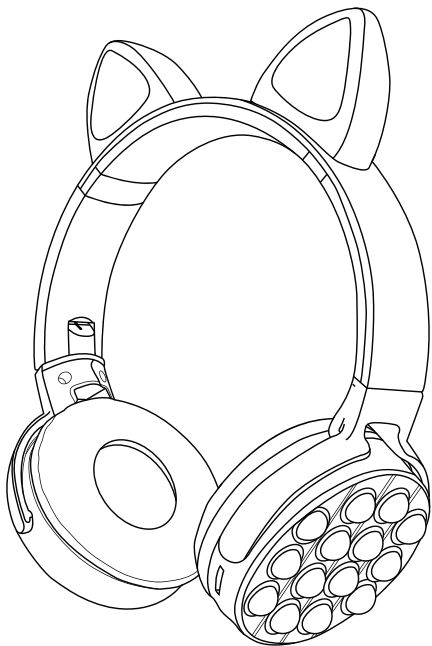


*LASER*  
**User Manual**



**Wireless LED Headphone**

HPS-KBTPOP-PK

*Thank you  
for your purchase!*

Laser Corporation is 100% Australian owned & operated. To get the most out of your product please read the user manual carefully and keep for future use.

For specific information relating to your product such as Spare Parts, FAQs, Warranty claims, and more, please scan the following QR code:



## WHAT'S IN THE BOX

- Headphone
- Charging Cable
- User Manual

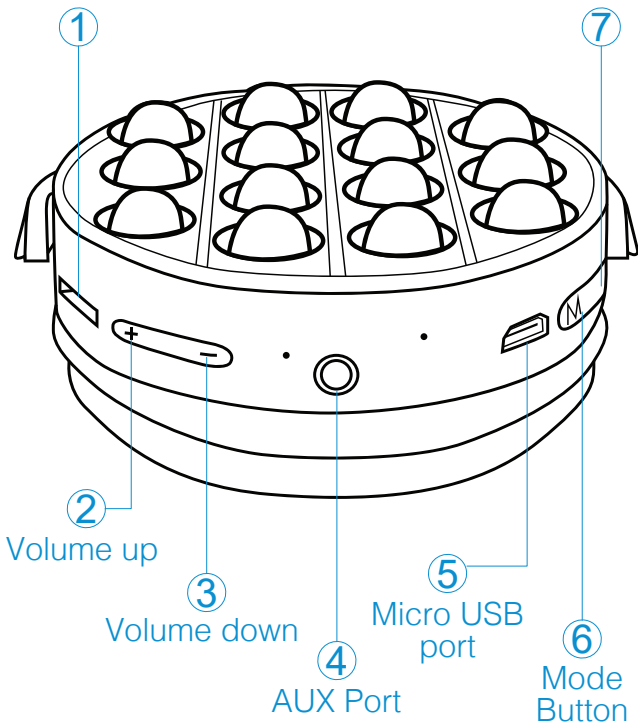
# SPECIFICATIONS

<b>Operating Distance:</b>	10 Meters
<b>Battery Runtime:</b>	3-4 hours
<b>Frequency:</b>	20Hz - 20 kHz
<b>Speaker Impedance:</b>	32Ω
<b>Sensitivity:</b>	75dB+/-3dB
<b>Charge Time:</b>	1-2 Hours

# CONTROLS

SD Card slot

Power Button



# CONTROLS

Continued...

1. 

- Insert an SD Card to listen to audio files.

2. 

- Short Press: Next Song.  
- Long Press: Volume Up.

3. 

- Short press : Previous song.  
- Long Press : Volume Down.

4. 

- Plugging a 3.5mm headphone cable into the AUX port will allow wired use.

5. 

- Plug the micro USB cable into the port to charge the device  
Switches between FM Radio mode and Bluetooth mode

6. 

- Press mode to switch between FM and Bluetooth mode

7. 

- Pressing for 3 seconds will turn the headphone on/off  
- Pressing for 2 seconds will call the last known number  
- Short press will play/pause a track or answer/reject a call

# OPERATING INSTRUCTIONS

## Pairing:

- Turn the headphone on.

---

- The headphone will automatically enter pairing mode.

---

- Open the bluetooth settings on your device, then search for and select "HPS-KBTPOP-PK".

## AUX Mode:

- Plug the 3.5mm audio cable directly into the headphone jack

## FM Mode:

- Press the mode button twice to start an auto scan and press mode once more after the scan has completed to end it.

---

- Using the Next/Previous song functions will change stations

# TROUBLE SHOOTING

## No Power:

- Check battery level and charge if required.

---

- Try charging the headphone with a USB wall adapter (like a smartphone charger) instead of a laptop or computer.

---

- A USB wall adapter up to 5V/1A is recommended for charging.

---

- Leave the headphone charging overnight and try in the morning.

## Problems Connecting to Bluetooth:

- Place the speaker next to the smart device you are pairing to e.g., Smartphone.



## TROUBLE SHOOTING

- If the Bluetooth name “HPS-KBTPOP-PK” does not appear on the list of available devices, then try refreshing the list or searching again.

---
- Allow up to 1 minute for the device to appear on the Bluetooth list.

---
- Make sure the headphone is in Bluetooth mode (default mode when turning on speaker) before searching on your smart device.

---
- If the headphone is already connected to another smart device, it will need to be unpaired from that device first or it will need to be out of Bluetooth connection range of that device before it can be connected to another.

**Visit our website**

[www.laserco.com.au](http://www.laserco.com.au)



**Check us out at**

[www.youtube.com/lasercoau](http://www.youtube.com/lasercoau)



**LASER**

## Free Manuals Download Website

<http://myh66.com>

<http://usermanuals.us>

<http://www.somanuals.com>

<http://www.4manuals.cc>

<http://www.manual-lib.com>

<http://www.404manual.com>

<http://www.luxmanual.com>

<http://aubethermostatmanual.com>

Golf course search by state

<http://golfingnear.com>

Email search by domain

<http://emailbydomain.com>

Auto manuals search

<http://auto.somanuals.com>

TV manuals search

<http://tv.somanuals.com>