

LawnMaster®

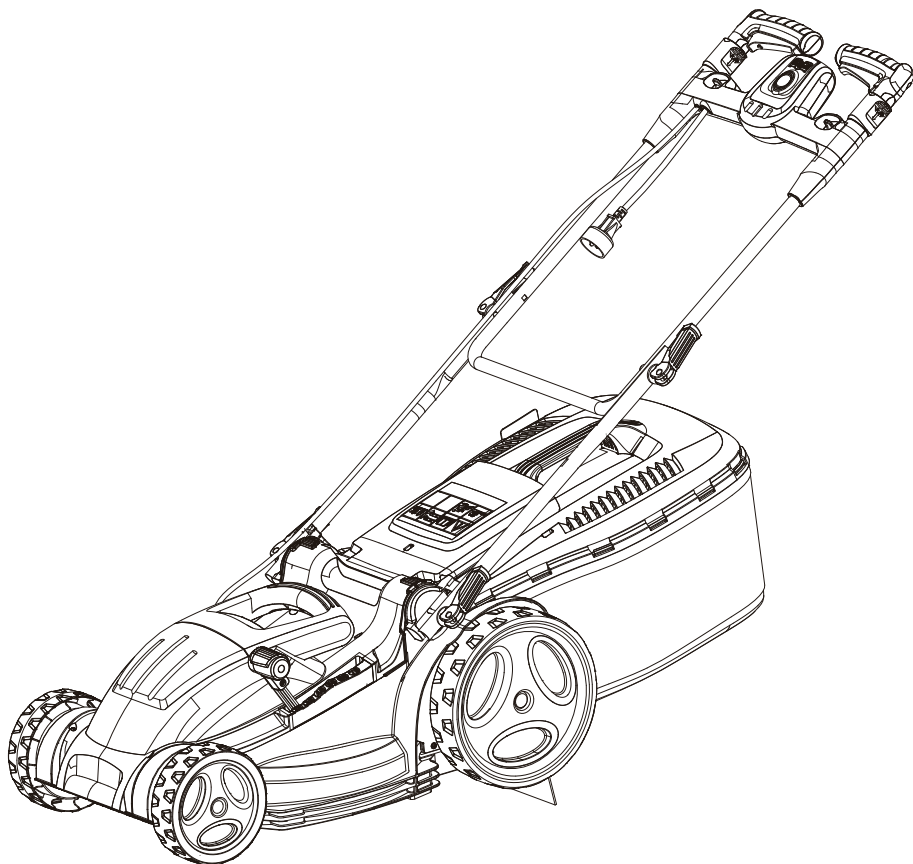
Operators Manual / Guide d'Utilisation

EN p. 2

Electric Mower MEB1016M R

FR p. 28

Tondeuse Électrique 15po MEB1016m R



MNL_MEB1016M R_V1



Read all safety rules and instructions carefully before operating this tool.

Distributed By Cleve North America 601 Regent Park Court Greenville, SC 29607 (866)-384-8432

Lisez toutes les règles et consignes de sécurité avant d'utiliser cette tondeuse.



Distribuée par Cleve North America 601 Regency Park Court, Greenville, SC 29607 (866)-384-8432



intertek
3084514

TABLE OF CONTENTS

CONTENTS	2
SPECIFICATIONS	2
INTRODUCTION	3
GENERAL SAFETY RULES	3-5
SPECIFIC SAFETY RULES	5-6
SYMBOLS	7-8
ELECTRICAL	9-10
FEATURES	11-12
ASSEMBLY	12-15
OPERATION	16-19
MAINTENANCE	20-23
TROUBLESHOOTING	24
WARRANTY	25
EXPLODED VIEW	26
PARTS LIST	27
NOTES	28

SPECIFICATIONS

Electric Mower MEB1016M R

Voltage	120 V~60Hz
Electricity	10 A
Motor Speed	3400 r/min
Cutting Width	15 inch (380mm)
Cutting height adjustment	1"-3" (22-75mm)
Volume of catch bag	10.5 gallon (40liters)
Wheel size	6.7/10 inch (170/255mm)
Weight	45.2 lbs (20.5kg)

INTRODUCTION

This product has many features for making its use more pleasant and enjoyable. Safety, performance, and dependability have been given top priority in the design of this product making it easy to maintain and operate.

GENERAL SAFETY RULES

WARNING

READ AND UNDERSTAND ALL INSTRUCTIONS.

Failure to follow all instructions listed below and on the machine may result in electric shock, fire, and/or serious personal injury.

READ ALL INSTRUCTIONS

- This cutting machine is capable of amputating hands and feet and throwing objects. Failure to observe all safety instructions could result in serious injury or death.
- Do not use the lawn mower in damp or wet conditions or operate in the rain.
- Never allow adults to operate the product without proper instruction.
- Keep the area clear of all bystanders, children, and pets while mowing. Stop machine if anyone enters the area.
- Tragic accidents can occur if the operator is not alert to the presence of children. Children are often attracted to the machine and the mowing activity. Never assume that children will remain where you last saw them.
- Keep children out of the mowing area and under the watchful care of a responsible adult other than the operator.
- Be alert and turn mower off if a child enters the area.
- Never allow children to operate the machine.
- Use extra care when approaching blind corners, shrubs, trees, or other objects that may block your view of a child.
- Do not wear loose clothing or jewelry. They can be caught in moving parts. Use of rubber gloves and footwear is recommended when working outdoors.
- Keep firm footing and balance. Do not overreach. Over-reaching can result in loss of balance.
- Do not operate the equipment while barefoot or when wearing sandals or similar lightweight footwear. Wear protective footwear that will protect your feet and improve your footing on slippery surfaces.
- Do not leave the mower unattended while running.
- Keep hands and feet away from cutting area. Keep hands and feet away from cutting area.
- Operate the lawn mower only in daylight or good artificial light.

GENERAL SAFETY RULES

- Always wear safety glasses with side shields. Everyday glasses have only impact resistant lenses. They are NOT safety glasses. Following this rule will reduce the risk of eye injury. Use face mask if operation is dusty.
- Wear safety glasses or goggles that are marked to comply with ANSI Z87.1 standard when operating this product.
- Use the right appliance. Do not use the lawn mower for any job except that for which it is intended.
- Do not force the lawn mower. It will do the job better and safer at the rate for which it was designed.
- Stay alert, watch what you are doing, and use common sense when operating the lawn mower. Do not operate the mower while tired or under the influence of drugs, alcohol, or medication. A moment of inattention while operating the lawn mower may result in serious personal injury.
- Keep machine in good working condition. Keep blades sharp and guards in place and in working order.
- Check all nuts, bolts, and screws at frequent intervals for proper tightness to be sure the equipment is in safe working condition.
- Stop the motor and wait until the blade comes to a complete stop before cleaning the lawn mower, removing the grass catcher, or unclogging the discharge guard.
- When not in use, mower should be stored indoors in a dry, locked up place—out of the reach of children.
- To reduce the risk of electric shock, this product has a polarized plug (one blade is wider than the other) and will require the use of a polarized extension cord. The plug will fit into a polarized extension cord only one way, if the plug does not fit fully into the extension cord, reverse the plug. If the plug still does not fit, obtain a correct polarized extension cord. A polarized extension cord will require the use of a polarized wall outlet. This plug will fit into the polarized wall outlet only one way. If the plug does not fit fully into the wall outlet, reverse the plug. If the plug still does not fit, contact a qualified electrician to install the proper wall outlet. Do not change the equipment plug, extension cord receptacle, or extension cord plug in any way.
- Do not abuse the cord. Never use the cord to pull the lawn mower or to disconnect the plug from an outlet. Keep cord away from heat, oil, sharp edges, or moving parts. Replace damaged cords immediately. Damaged cords increase the risk of electric shock.
- Make sure your extension cord is in good condition. When using an extension cord, be sure to use one heavy enough to carry the current your product will draw. A wire gauge size (A.W.G.) of at least 14 is recommended for an extension cord 50 feet or less in length. If in doubt, use the next heavier gauge. The smaller the gauge number, the heavier the cord. An undersized cord will cause a drop in line voltage resulting in loss of power and overheating.
- **WARNING:** Use outdoor extension cords marked SW-A, SOW-A, STW-A, STOW-A, SJW-A, SJTA, SJTW-A, or SJTOWA. These cords are rated for outdoor use and reduce the risk of electric shock.

GENERAL SAFETY RULES

- Ground Fault Circuit Interrupter (GFCI) protection should be provided on the circuit(s) or outlet(s) to be used for the lawn mower. Receptacles are available having built-in GFCI protection and may be used for this measure of safety.
- Inspect extension cords periodically and replace if damaged. Keep handles dry, clean, and free from oil or grease.

SPECIFIC SAFETY RULES









- Do not operate the mower without the entire grass catcher, discharge guard, rear guard, or other safety protective devices in place and working.
- Follow manufacturer's instructions for proper operation and installation of accessories. Only use accessories approved by the manufacturer.
- Clear the work area before each use. Remove all objects such as rocks, sticks, wire, bones, toys, or other objects which can be thrown by the blade. Stay behind the handle when the motor is running.
- Avoid holes, ruts, bumps, rocks, or other hidden objects. Uneven terrain could cause a slip and fall accident.
- Do not mow near drop-offs, ditches, or embankments.
- Mow across the face of slopes, never up and down. Exercise extreme caution when changing direction on slopes.
- Plan your mowing pattern to avoid discharge of material toward roads, sidewalks, bystanders, and the like. Also, avoid discharging material against a wall or obstruction, which may cause the material to ricochet back toward the operator.
- Do not mow on wet grass or excessively steep slopes. Poor footing could cause a slip and fall accident. Walk, never run.
- Use extra care when approaching blind corners, shrubs, trees, or other objects that may block your view.
- Do not pull the mower backward unless absolutely necessary. If you must back the mower away from a wall or obstruction, first look down and behind to avoid tripping.
- Never direct discharged material toward anyone. Avoid discharging material against a wall or obstruction. Material may ricochet back toward the operator. Stop the blade when crossing gravel surfaces.
- Objects struck by the lawn mower blade can cause severe injuries to persons. The lawn should always be carefully examined and cleared of all objects prior to each mowing.
- If the lawn mower strikes a foreign object, follow these steps:
 - Stop the lawn mower and release the switch control.
 - Disconnect the power cord.

SPECIFIC SAFETY RULES

- Thoroughly inspect the mower for any damage.
- Repair any damage before restarting and continuing to operate the mower.
- Stop the motor, disconnect the power cord, and wait until the blade comes to a complete stop before removing the grass catcher or unclogging the chute. The cutting blade continues to rotate for a few seconds after the motor is shut off. Never place any part of the body in the blade area until you are sure the blade has stopped rotating.
- Disconnect the plug from power source before making any adjustments, changing accessories, or storing the lawn mower. Such preventive safety measures reduce the risk of starting the product accidentally.
- If the mower should start to vibrate abnormally, stop the motor and check immediately for the cause. Vibration is motor and check immediately for the cause. Vibration is generally a warning of trouble.
- Service on the product must be performed by qualified repair personnel only. Service or maintenance performed by unqualified personnel could result in injury to the user or damage to the product.
- Use only identical replacement parts when servicing the product. Use of unauthorized parts may create a risk of serious injury to the user, or damage to the product.
- If the power supply cord is damaged, it must be replaced only by the manufacturer or by an authorized service center to avoid risk.
- Save these instructions. Refer to them frequently and use them to instruct others who may use this product. If you loan someone this tool, loan them these instructions also.




SYMBOLS

Some of the following symbols may be used on this product. Please study them and learn their meaning. Proper interpretation of these symbols will allow you to operate the product better and safer.

SYMBOL	NAME	DESIGNATION/EXPLANATION
V	Volts	Voltage
~	Alternating Current	Type of current
A	Amperes	Current
Hz	Hertz	Frequency (cycles per second)
W	Watt	Power
hrs	Hours	Time
	Class II Construction	Double-insulated construction
	Safety Alert	Precaution that involve your safety.
	Read The Operator's Manual	You must read the operating instructions carefully.
	Do not mow up and down slopes!	To avoid the risk of injury do not mow up and down slopes. Always mow across slopes. (Angles $\leq 15^\circ$)
	Keep all persons and pets at a safe distance from the mower while operating!	To avoid the risk of injury to bystanders keep all persons and pets at a safe distance from the mower while operating.
	Keep hands and feet clear of mower deck and discharge opening at all times!	Rotating blades can cause serious injury. Keep hands and feet clear of mower deck and discharge opening at all times. Always be sure blade has stopped after releasing switch lever and unplugging before removing and replacing grass catcher, cleaning, servicing, transporting or lifting the mower.
	Stay behind the handle when the motor is running!	Objects struck by mower blade can cause serious injury. Stay behind the handle when the moto is running. Always ensure persons and pets are clear of the discharge from the mower while operating.
	Eye Protection Wear eye protection when operating this equipment.	Safety Alert Precautions that involve your safety.

SYMBOLS

The following signal words and meanings are intended to explain the levels of risk associated with this product.

SYMBOL	SIGNAL	MEANING
	DANGER:	Indicates an imminently hazardous situation, which, if not avoided, will result in death or serious injury.
	WARNING:	Indicates a potentially hazardous situation, which, if not avoided, could result in death or serious injury.
	CAUTION:	Indicates a potentially hazardous situation, which, if not avoided, may result in minor or moderate injury.
	CAUTION:	(Without Safety Alert Symbol) Indicates a situation that may result in property damage.

SERVICE

Servicing requires extreme care and knowledge and should be performed only by a qualified service technician. For service we suggest you return the product to your nearest SERVICE CENTER for repair. When servicing, use only identical replacement parts.

WARNING

To avoid serious personal injury, do not attempt to use this product until you read thoroughly and understand completely the operator's manual.

If you do not understand the warnings and instructions in the operator's manual, do not use this product. Call customer service for assistance.

WARNING



The operation of any power tool can result in foreign objects being thrown into your eyes, which can result in severe eye damage. Before beginning power tool operation, always wear safety goggles or safety glasses with side shields and, when needed, a full face shield.

We recommend Wide Vision Safety Mask for use over eyeglasses or standard safety glasses with side shields. Always use eye protection which is marked to comply with ANSI Z87.1.

ELECTRICAL

DOUBLE INSULATION

Double insulation is a concept in safety in electric power tools, which eliminates the need for the usual three-wire grounded power cord.

All exposed metal parts are isolated from the internal metal motor components with protecting insulation. Double insulated tools do not need to be grounded.

WARNING

The double insulated system is intended to protect the user from shock resulting from a break in the tool's internal insulation. Observe all normal safety precautions to avoid electrical shock.

NOTE: Servicing of a product with double insulation requires extreme care and knowledge of the system and should be performed only by a qualified service technician. For service, we suggest you return the product to your nearest authorized service center for repair. Always use original factory replacement parts when servicing.

ELECTRICAL CONNECTION

This product has a precision-built electric motor. It should be connected to a power supply that is 120 volts, 60 Hz, AC only (normal household current). Do not operate this product on direct current (DC). A substantial voltage drop will cause a loss of power and the motor will overheat. If the product does not operate when plugged into an outlet, double-check the power supply.

EXTENSION CORDS

When using a power tool at a considerable distance from a power source, be sure to use an extension cord that has the capacity to handle the current the product will draw. An undersized cord will cause a drop in line voltage, resulting in overheating and loss of power.

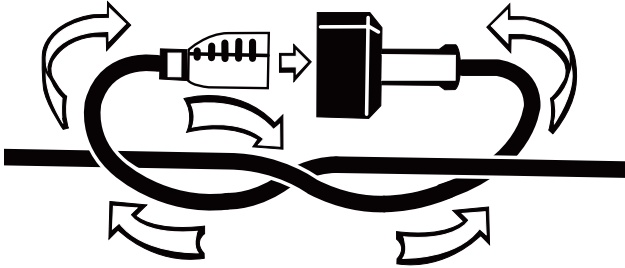
Use the chart to determine the minimum wire size required in an extension cord. Only round jacketed cords listed by Underwriter's Laboratories (UL) should be used.

When working outdoors with a product, use an extension cord that is designed for outside use.

This type of cord is designated with "WA" on the cord's jacket.

Before using any extension cord, inspect it for loose or exposed wires and cut or worn insulation. It is possible to tie the extension cord and power cord in a knot to prevent them from becoming disconnected during use. Make knot as shown, then connect the plug end of the power cord into the receptacle end of the extension cord. This method can also be used to tie two extension cords together.

ELECTRICAL



		Volts	Total length of cord feet			
		120V	25	50	100	150
Ampere rating more than	Ampere rating not more than		AWG			
0 - 6			18	16	16	14
6 - 10			18	16	14	12
10 - 12			16	16	14	12
12 - 16			14	12	Not Recommended	

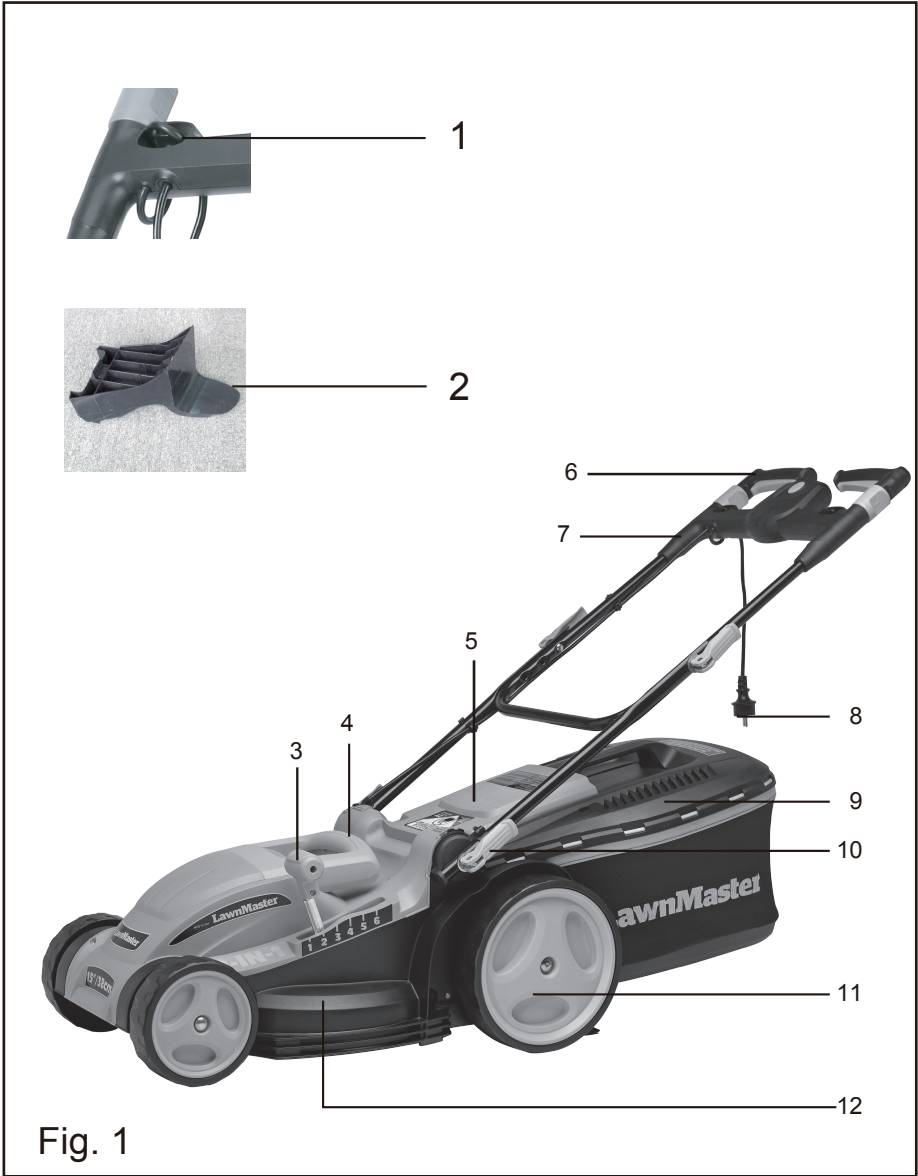
⚠ WARNING

Keep the extension cord clear of the working area. Position the cord so that it will not get caught on lumber, tools, or other obstructions while you are working with a power tool. Failure to do so can result in serious personal injury.

⚠ WARNING

Check extension cords before each use. If damaged replace immediately. Never use the product with a damaged cord since touching the damaged area could cause electrical shock resulting in serious injury.

FEATURES



FEATURES

KNOW YOUR LAWN MOWER (See Fig. 1)

The safe use of this product requires an understanding of the information on the product and in this operator's manual as well as a knowledge of the project you are attempting.

Before use of this product, familiarize yourself with all operating features and safety rules.

- 1) Cord retainer - A convenient cord retainer helps keep the extension cord connection secure during mower operation.
- 2) Mulching plug - optional mulching plug that cuts and recuts the grass for finer clippings.
- 3) Height adjustment lever - one handed height adjustment lever.
- 4) Lift Handle - makes lifting & moving simpler & safer.
- 5) Loop style handle - ergonomic cushion grip steel handle makes mowing easy.
- 6) Bale switch - when engaged, will allow power mower motor.
- 7) Switch button - engages power to bale switch allowing for start-up.
- 8) Power cord - easy attach power cord
- 9) Grass catcher - 10.5 gallon grass catcher with full capacity indicator.
- 10) Cam locks - allows for quick & easy adjustments & storage.
- 11) Wheel - large 10" rear wheels
- 12) Mower deck - lightweight never rust mower deck.

ASSEMBLY

KNOW YOUR LAWN MOWER

This product requires assembly.

- Carefully remove the product and any accessories from the box. Make sure that all items listed in the packing list are included.
- Inspect the product carefully to make sure no breakage or damage occurred during shipping.
- Do not discard the packing material until you have carefully inspected and satisfactorily operated the product.
- If any parts are damaged or missing, please call service center.

PACKING LIST

Mower

Mulching Plug

Grass Catcher

Operator's Manual

ASSEMBLY

⚠ WARNING

If any parts are damaged or missing do not operate this product until the parts are replaced. Failure to heed this warning so could result in serious personal injury.

⚠ WARNING

Do not attempt to modify this product or create accessories not recommended for use with this product. Any such alteration or modification is misuse and could result in a hazardous condition leading to possible serious personal injury.

⚠ WARNING

Do not connect to power supply until assembly is complete. Failure to comply could result in accidental starting and possible serious personal injury.

⚠ WARNING

Never operate the mower without the proper safety devices in place and working. Never operate the mower with damaged safety devices. Failure to heed this warning can result in serious personal injury.



Fig. 2

Fig. 3

Fig. 4

ADJUSTING HANDLE (See Figs. 2-7)

- Fully loosen the four handle cam locks on both sides of the handle.
- Pull up and back on the lower handle and upper handle to raise the handles into operating position. Make certain the handles snap.
- Tighten the handle cam locks on both sides of the handle to secure.

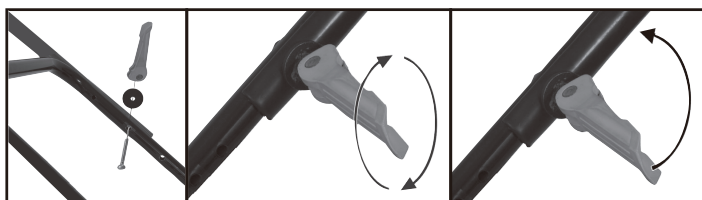


Fig. 5

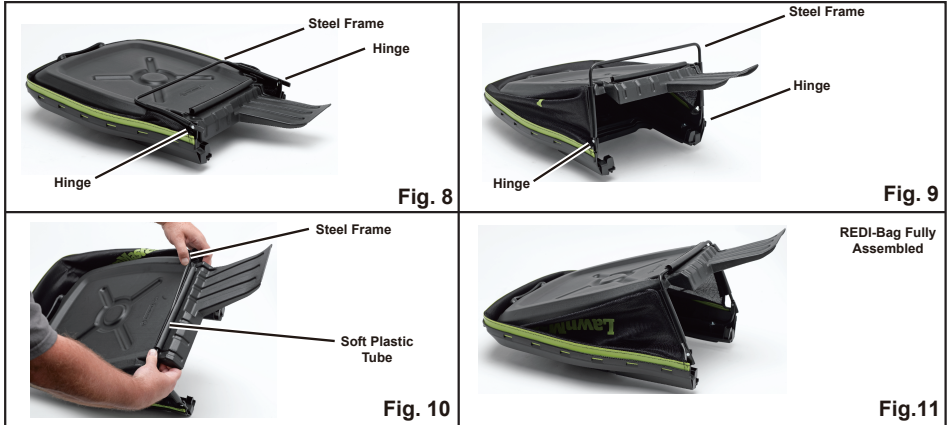
Fig. 6

Fig. 7

ASSEMBLY

REDI-BAG GRASS CATCHER (See Figs. 8-11)

- Your Lawnmaster mower comes with a tool-less collection bag. Your REDI-bag ships flat as shown.
- To assemble the REDI-bag straighten the hinged steel frame at opening of bag as shown.
- Pry open the long soft plastic tubular sleeve with you fingers and insert the steel frame into the tube as shown.
- You fully assembled REDI-bag as shown below.



INSTALLING THE GRASS CATCHER (See Fig. 12)

NOTE: When using the grass catcher, do not install the mulching plug.

- Lift the rear discharge door.
- Lift the grass catcher by its handle and place under the rear discharge door so that the hooks on the grass catcher are seated on the door rod.
- Release the rear discharge door.



Fig. 12

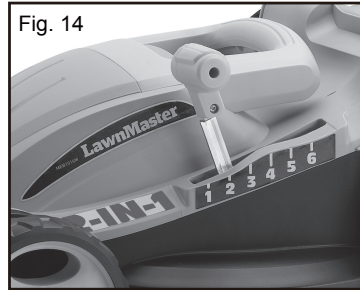
Fig. 13

INSTALLING THE MULCHING PLUG (See Fig. 13)

NOTE: When using the mulching plug, do not install the grass catcher.

- Lift the rear discharge door.
- Grasp the mulching plug by its handle.
- Insert the plug into the rear discharge opening.
- Lower the rear discharge door.

ASSEMBLY



SETTING CUTTING HEIGHT (See Fig. 14)

When shipped, the wheels on the mower are set to a low-cutting position. Before using the mower for the first time, adjust the cutting position to the height best suited for your lawn. The average lawn should be between 1" to 3".

To set the cutting height:

- To raise the cutting height, grasp the height adjustment lever and move it toward the back of the mower.
- To lower the cutting height, grasp the height adjustment lever and move it toward the front of the mower.

OPERATION

⚠ WARNING

Do not allow familiarity with this type of product to make you careless. Remember that a careless fraction of a second is sufficient to inflict serious injury.

⚠ WARNING

Always wear safety goggles or safety glasses with side shields when operating this product. Failure to do so could result in objects being thrown into your eyes, resulting in possible serious injury.

⚠ WARNING

Do not use any attachments or accessories not recommended by the manufacturer of this product. The use of attachments or accessories not recommended can result in serious personal injury.

APPLICATIONS

You may use this product for the purpose listed below: Mowing your lawn

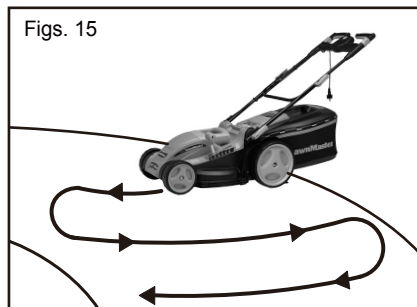
OPERATION

MOWING TIPS

- Make sure the lawn is clear of stones, sticks, wires, and other objects that could damage the lawn mower blades or motor. Such objects could be accidentally thrown by the mower in any direction and cause serious personal injury to the operator and others.
- To reduce the likelihood of disconnecting the lawn mower from the extension cord, be sure to use the cord retainer provided.
- For a healthy lawn, always cut off one-third or less of the total length of the grass.
- When cutting heavy grass, reduce walking speed to allow for more effective cutting and a proper discharge of the clippings.
- Do not cut wet grass. It will stick to the underside of the deck and prevent proper mulching of grass clippings.
- New or thick grass may require a narrower cut.
- Clean the underside of the mower deck after each use to remove grass clippings, leaves, dirt, and any other accumulated debris.

MOWING ON A SLOPE (See Fig. 15)

- Slopes are a major factor related to slip and fall accidents that can result in severe injury. Mowing on slopes requires extra caution. If you feel uneasy on a slope, do not mow it. For your safety, do not attempt to mow slopes greater than 15 degrees.
- Mow across the face of slopes, not up and down. Exercise extreme caution when changing direction on slopes.
- Watch for holes, ruts, rocks, hidden objects, or bumps which can cause you to slip or trip. Tall grass can hide obstacles. Remove all objects such as rocks, tree limbs, etc., which could be tripped over or thrown by the blade.
- Always be sure of your footing. A slip and fall can cause serious personal injury. If you feel you are losing your balance, release the bale switch immediately.
- Do not mow near drop-offs, ditches, or embankments; you could lose your footing or balance.



OPERATION

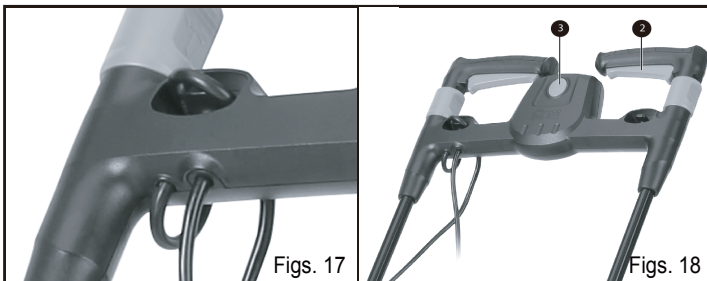
EMPTYING THE GRASS CATCHER (See g. 16)

- Lift the grass catcher by its handle and lift to remove from mower.
- Empty grass clippings.
- Lift the rear discharge door and reinstall the grass catcher as described earlier in this manual.



ON/OFF OPERATION (See Figs. 17-18)

- Make a loop at the end of the cable and hang the loop onto the strain relief on the cross bar.
Connect the mower to your power supply socket.
- Before switching on, ensure that the mower is not in contact with any foreign objects.
- To Switch on, press the safety lock-off button ③ on the handle, then activate either of the start/stop switch levers ②. Release the lock-off button ③.
- To Switch off, release the start/stop switch lever ②.



OPERATION

⚠ WARNING

After switching off the equipment, the blade may continue to turn for several seconds. Do not touch the moving blade. There is risk of serious injury.

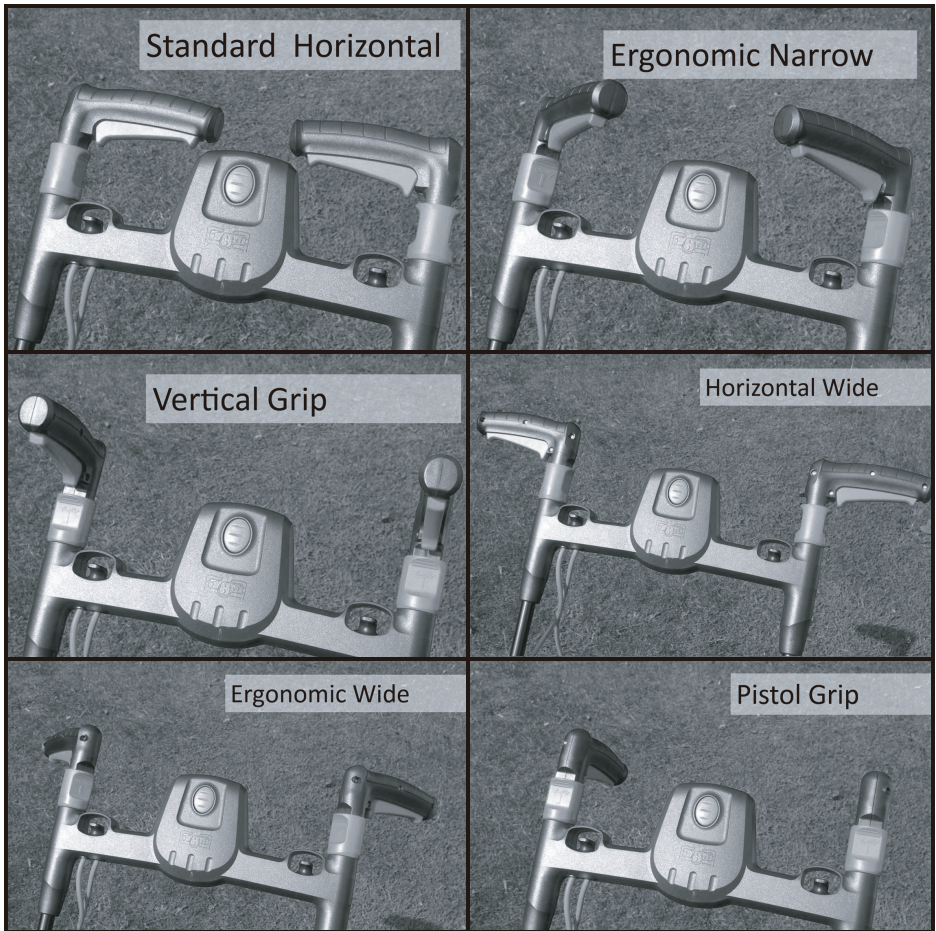


IF THE HANDLES ARE ROTO-FIT

- For Safety, Do not adjust the handles while the motor is running or while mowing. Only operate the product once the locking collar is engaged fully.
- The Roto-Fit handles are 360° pivoting handling that can lock into 8 different positions. The users can adjust the handle angle to achieve the best grip and orientation for them or for a specific task while mowing.
- There are 6 recommended positions, and various alternatives for the user. The 6 positions are: Standard, Ergonomic Narrow, Vertical Grip, Horizontal Wide, Ergonomic Wide and Pistol Grip.

OPERATION

IF THE HANDLES ARE ROTO-FIT (CONTINUED)



The handles are designed to be rotated using only 1 hand. This means you can adjust both handles at once.

To adjust the position of your Roto-Fit handle:

- Lifting the locking collar to release the handle for rotation.
- Rotate to the desired position.
- Let go of the locking collar, the locking collar will automatically engage when the handle is in one of the optional angles.

MAINTENANCE

WARNING

When servicing, use only identical replacement parts. Use of any other parts may create a hazard or cause product damage.

WARNING

Always wear safety goggles or safety glasses with side shields during power tool operation or when blowing dust. If operation is dusty, also wear a dust mask.

GENERAL MAINTENANCE

Avoid using solvents when cleaning plastic parts. Most plastics are susceptible to damage from various types of commercial solvents and may be damaged by their use. Use clean cloths to remove dirt, dust, oil, grease, etc.

WARNING

Do not use any attachments or accessories not recommended by the manufacturer of this product. The use of attachments or accessories not recommended can result in serious personal injury.

Periodically check all nuts and bolts for proper tightness to ensure safe operation of the mower. Remove any buildup of grass and leaves on or around the motor cover. Wipe the mower clean with a dry cloth occasionally. Do not use water.

LUBRICATION

All of the bearings in this product are lubricated with a sufficient amount of high grade lubricant for the life of the unit under normal operating conditions. Therefore, no further bearing lubrication is required. At the beginning and end of each mowing season:

- Lubricate the springs on the rear discharge door with light oil.
- Lubricate the height adjustment lever and related hardware with light oil.
- Remove the wheels and lubricate the surface of the axle bolt and the inner surface of the wheel with light oil.
- Remove the blade and blade hub assembly and lubricate the motor shaft with light oil or engine oil. See Replacing the Cutting Blade for instructions on removing the blade.

MAINTENANCE

⚠ WARNING

Always protect hands by wearing heavy gloves and/or wrapping the cutting edges of the blade with rags and other material when performing blade maintenance. Failure to heed this warning could result in serious personal injury.

⚠ WARNING

Before performing any maintenance, make sure the mower is unplugged from the power supply. Failure to heed this warning could result in serious personal injury.

REPLACING THE CUTTING BLADE (See Figs. 19-20)

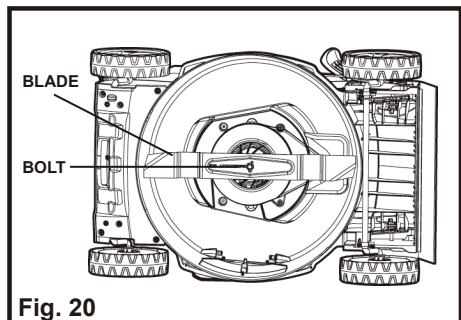
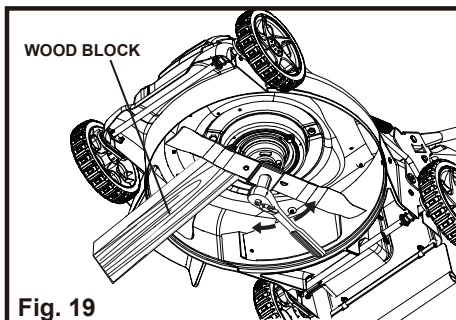
NOTE: Only use identical replacement blades.

- Stop the motor and disconnect the power supply. Allow the blade to come to a complete stop.
- Turn the mower on its side.
- Wedge a block of wood between the blade and the mower deck in order to prevent the blade from turning when the nut is being removed.
- Loosen the blade nut using a 14 mm wrench or socket (not provided).
- Remove the blade nut, and blade.
- Make certain the fan assembly is pushed completely against the motor shaft.
- Place the new blade on the shaft against the fan assembly. Make sure it is installed with the curved ends pointing up toward the mower deck and not down toward the ground.
- Thread the blade nut on the shaft and finger tighten.

NOTE: Make certain all parts are replaced in the exact order in which they were removed.

- Torque the blade nut down using a torque wrench (not provided) to ensure the bolt is properly tightened.

NOTE: Only use LawnMaster replacement parts. LawnMaster mower blade replacement part # MEB1016M

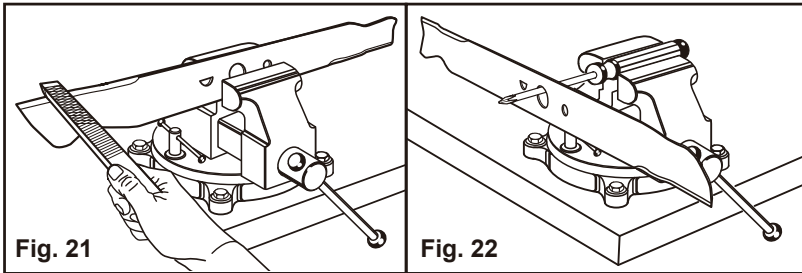


MAINTENANCE

SHARPENING THE BLADE (See Fig. 21)

For best mowing performance, the mower blade must be kept sharp. A dull blade does not cut grass evenly and overloads the motor. Under normal circumstances, sharpening the blade twice during the mowing season is usually sufficient. However, if your lawn has sandy soil, more frequent sharpenings may be required.

- Following the instructions in the Replacing the Cutting Blade section, remove the mower blade. DO NOT attempt to sharpen the blade while it is attached to the mower.



⚠ WARNING

When removing, inspect the blade carefully. If blade is bent or damaged, replace immediately with a new blade. Failure to replace a bent or damaged blade could cause an accident resulting in possible serious injury.

- Using a fine-tooth file or sharpening stone, sharpen cutting edges on both ends of the blade, removing equal amounts of material from both ends.

BALANCING THE BLADE (See Fig. 22)

When sharpening, care should be taken to keep the blade balanced. An unbalanced blade will cause excessive vibration when the mower is running. This vibration will eventually cause damage to the mower, especially the motor.

To check the blade balance:

- Clamp a screwdriver horizontally in a vise as shown.

NOTE: If a vise is not available, a straight nail can also be used.

- Place the center hole of blade on the screwdriver (or nail) shank.
- If blade is balanced, it will remain in a horizontal position. If either end of the blade drops downward, sharpen the heavy side until the blade is balanced.

MAINTENANCE

REPLACING WHEELS (See Fig. 23)

To replace a wheel:

- Disconnect the mower from the power supply.
- Turn the mower on its side.
- Using a flat blade screwdriver, pry off the hubcap.
- Remove the wheel, replace with new wheel.
- Replace hubcap.

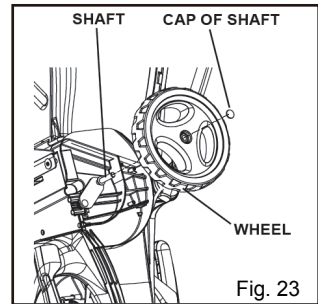


Fig. 23

STORING THE MOWER (See Fig. 24)

- Disconnect the mower from the power supply.
- Turn mower on its side and clean grass clippings that have accumulated on the underside of the mower deck.
- Wipe the mower clean with a dry cloth.
- Check all nuts, bolts, knobs, screws, fasteners, etc., for tightness.
- Inspect moving parts for damage, breakage, and wear. Have repairs made on any damaged or missing parts.
- Store mower indoors in a clean, dry place out of the reach of children.
- Do not store near corrosive materials such as fertilizer or rock salt. To lower the handle before storing:
- Fully loosen the handle cam locks on the sides of the handle and fold the upper handle down.
- Push inward on each side of the lower handle, and lift the sides of the lower handle past the edges of the handle mounting brackets.
- Fold the lower handle forward, making sure not to bend or kink the power cord.

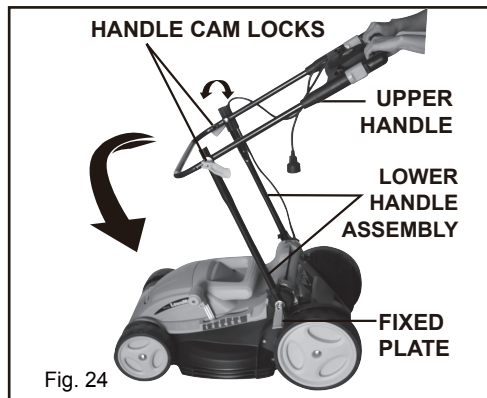


Fig. 24

TROUBLESHOOTING

Problem	Possible Cause	Solution
Handle not in position.	Carriage bolts not seated properly. Cam locks not tightened.	Adjust the height of the handle and make sure the carriage bolts are seated properly. Tighten cam locks.
	Extension cord not connected to the mower plug. Extension cord not connected to power source. Tripped circuit breaker in the house. Motor control switch defective.	Reconnect the cord and use the cord retainer to keep the cord close to the motor/blade control. Connect the extension cord to a live 120V AC, 60 HZ AC receptacle. Reset house circuit breaker. If it trips again, call a qualified electrician. Have motor control switch replaced by an authorized service center.
Mower cutting grass unevenly.	Lawn is rough or uneven or cutting height not set properly.	Move the wheels to a higher position. All wheels must be placed in the same cutting height for the mower to cut evenly.
Mower not mulching properly.	Wet grass clippings sticking to the underside of the deck.	Wait until the grass dries before mowing.
Mower hard to push.	High grass, rear of mower housing and blade dragging in heavy grass, or cutting height too low.	Raise cutting height.
Mower vibrating at higher speed	Blade is unbalanced. Bent motor shaft.	Balance the blade by grinding each cutting edge equally. Stop the motor, disconnect the power source, and inspect for damage. Have repaired made by an authorized service center before restarting.

WARRANTY

We take pride in producing a high quality, durable product. This Lawnmaster® product carries a limited two (2) year warranty against defects in workmanship and materials from date of purchase under normal household use. If product is to be used for commercial, industrial or rental use, a 30 day limited warranty will apply. Batteries carry a one-year warranty against defects in workmanship and materials. Batteries must be charged in accordance with the operator's manual directions and regulations in order to be valid. Warranty does not apply to defects due to direct or indirect abuse, negligence, misuse, accidents, repairs or alterations and lack of maintenance. Please keep your receipt/packing list as proof of purchase. This warranty gives you specific legal rights, and you may have other rights, which vary from state to state. For product service call Customer Service at (866) 384-8432.

Items not covered by warranty :

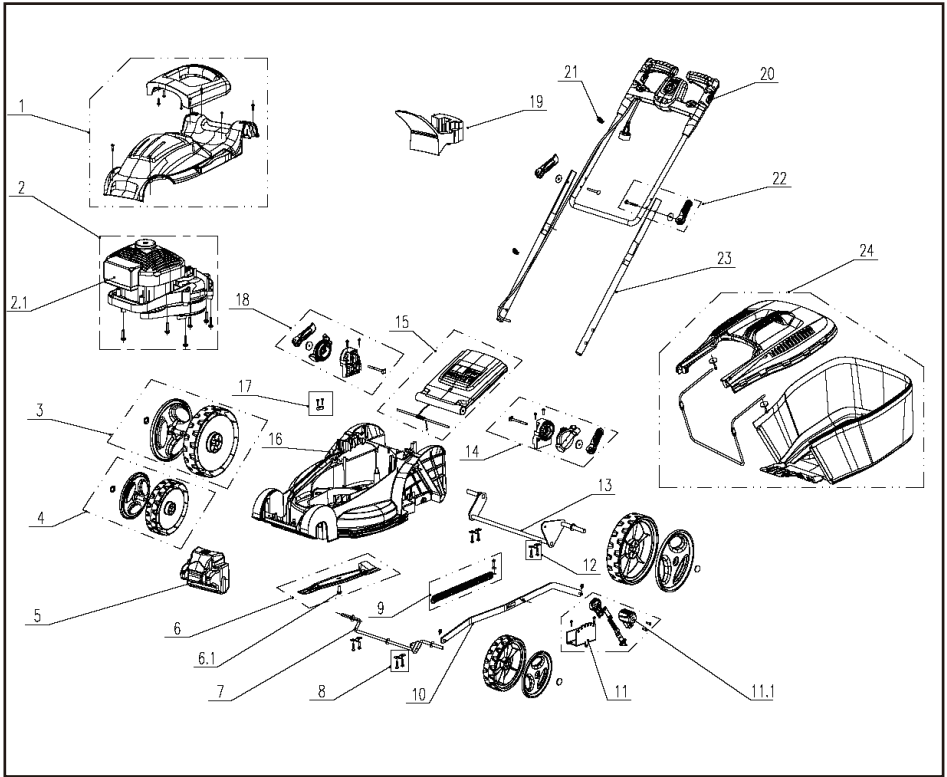
1. Any part that has become inoperative due to misuse, commercial use, abuse, neglect, accident, improper maintenance, or alteration;
2. The unit, if it has not been operated and/or maintained in accordance with the owner's manual;
3. Normal wear, except as noted below;
4. Routine maintenance items such as lubricants, blade sharpening;
5. Normal deterioration of the exterior finish due to use or exposure.

Transportation Charges : Transportation charges for the movement of any power equipment unit or attachment are the responsibility of the purchaser. It is the purchaser's responsibility to pay transportation charges for any part submitted for replacement under this warranty unless such return is requested in writing by LawnMaster.

SAVE YOUR RECEIPTS. THIS WARRANTY IS VOID WITHOUT THEM.

EXPLODED VIEW

MEB1016M MANUAL EXPLODED VIEW



PARTS LIST

MEB1016M Manual Parts List			
Key Number	Drawing Number	Description	Quantity
1	GM16BX.00.02.W2.C4	Motor Housing Assembly	1
2	GD31BX.11.00.X1.03	Motor Assembly	1
2.1	GM01BX.00.17.X1.02	Wind guide cover assembly	1
3	TGQTGL.X0.32	Rear Wheel Assembly	2
4	TGQTGL.53.00.X1.02	Front Wheel Assembly	2
5	GM01BX.00.60	Ballast	1
6	GM01BX.A0.07	Blade Assembly	1
6.1	BOA4FL.08.20.01	Blade Stud	1
7	GMB0BX.00.10	Front Axle	1
8	GD41BX.00.05.X1.01	Front Axle Brackets	2
9	TOTHYL.01.17.X1.02	Spring	1
10	GM01BX.A0.08	Height Connecting Rod	1
11	GM01BX.70.10.X1.01	Height Adjustment Assembly	1
11.1	GM01BX.00.07.W2.C3	Height Adjustment Knob	1
12	GM01BX.X0.02	Rear Axle Brackets	2
13	GM01BX.00.50	Rear Axle	1
14	GM01BX.00.16.X1.02	Right Lower Handle Bracket	1
15	GM16BX.00.01.X1.01	Rear Exhaust Flap	1
16	GM01BX.00.01.X1.01	Mower Deck	1
17	TOQTGX.X0.01	Cable Tie Down Assembly	1
18	GM01BX.00.15.X1.02	Left Lower Handle Bracket	1
19	GM01BX.50.00	Mulch Plug	1
20	TGDQ15.A1.01.W4	Upper Roto Handle Assembly	1
21	TOQTGX.13.XJ	Cable Clamp	2
22	TGQTXN.05.00.X1.01	Upper Cam Lock Assembly	2
23	GD86BX.00.02	Lower Handle	2
24	GM01BX.30.01.X1.02	REDI BAG	1

Free Manuals Download Website

<http://myh66.com>

<http://usermanuals.us>

<http://www.somanuals.com>

<http://www.4manuals.cc>

<http://www.manual-lib.com>

<http://www.404manual.com>

<http://www.luxmanual.com>

<http://aubethermostatmanual.com>

Golf course search by state

<http://golfingnear.com>

Email search by domain

<http://emailbydomain.com>

Auto manuals search

<http://auto.somanuals.com>

TV manuals search

<http://tv.somanuals.com>