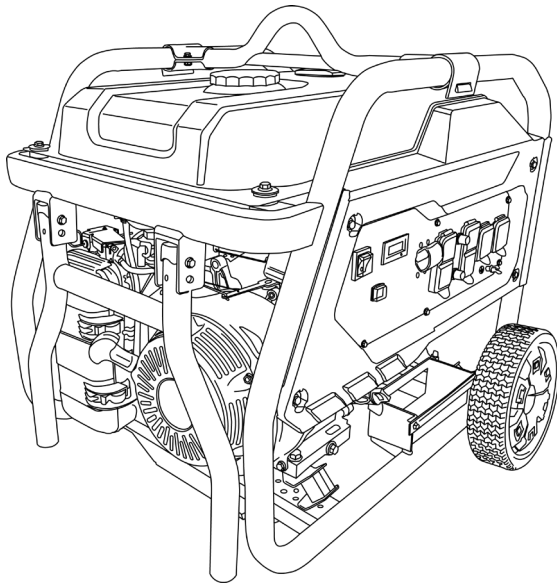




GENERATOR

USE AND CARE MANUAL

Models covered: SCGH5500 / SCGH8500 / SCGH8500E



READ THIS MANUAL CAREFULLY BEFORE OPERATION

Failure to follow the instructions and safety precautions in this manual can result in property damage, serious injury and/or death.

SAVE THIS MANUAL FOR FUTURE REFERENCE

NOTE: Photographs and line drawings used in this manual are for reference only and may not represent your specific model.

NOTES



CALIFORNIA PROPOSITION 65 WARNING

This product and the engine exhaust can expose you to chemicals which are known to the state of California to cause cancer, birth defects, or other reproductive harm. For more information on California Proposition 65, go to www.P65Warnings.ca.gov.



POLYCYCLIC AROMATIC HYDROCARBON WARNING

The air filter element and air box assembly may contain polycyclic aromatic hydrocarbons (PAHs). Some PAHs may cause cancer. To avoid exposure to PAHs, wear gloves when performing air filter maintenance.

SAVE THIS MANUAL FOR FUTURE USE

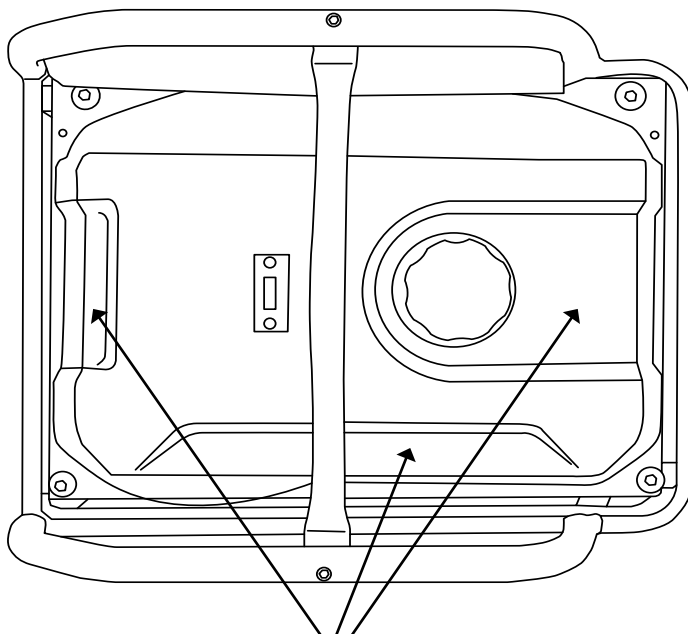
Keep this manual for future reference. This manual should be considered a permanent part of the product and stay with it. This manual should be available to anyone operating the product(s) it covers. This manual should remain with the product(s) it covers if sold to a new owner. If the manual becomes damaged, lost, or otherwise unusable, you may download a new copy from the product pages at www.simpsoncleaning.com or contact customer support by calling 1-877-362-4271.

Write down the model number, serial number, and purchase date of this product in the spaces provided below then keep this manual with the purchase receipt(s) for future reference.

Model Number:

Serial Number:

Purchase Date:



Model Data Decals

TABLE OF CONTENTS

SAFETY INSTRUCTIONS	4
Hazard Alert Symbols	4
Emission Information	5
Special Requirements	5
DISCLAIMERS	5
ASSEMBLY	6
Unpacking	6
Installing the Wheels	6
Assembling and Installing the Support Bracket	7
Connecting Battery (Electric Start Models Only)	8
COMPONENT LOCATION	9
CONTROL PANELS	11
SCGH5500	11
SCGH8500	11
SCGH8500E	11
HOUR METER	12
Hour Meter	12
IDLE CONTROL	12
Idle Control	12
OPERATING CHECKLIST	13
Location	13
Operating Conditions	14
Grounding	15
Connecting Generator to the Electrical System of a Building	15
Checking Fuel	16
STARTING	18
Starting the Generator	18
CONNECTING DEVICES	20
Connecting Electrical Devices	20
Generator Load Capacity	20
Generator Load Chart	21

SHUTTING OFF GENERATOR	22
MAINTENANCE	23
Generator Maintenance	23
Engine Maintenance	23
Cleaning	23
Battery Maintenance (Electric Start Models Only)	24
Engine Idle Adjustment	24
TROUBLESHOOTING	25
Generator Troubleshooting Chart	25
Engine Troubleshooting Chart	25
STORAGE AND TRANSPORTATION	26
Storing for Two Months or Less	26
Storing for More Than Two Months	27
Transportation	27
WIRING DIAGRAMS	28
SCGH5500	28
SCGH8500	29
SCGH8500E	30
SPECIFICATIONS	31
Model Number: SCGH5500 / Item Number: 70053	31
Model Number: SCGH8500 / Item Number: 70054	31
Model Number: SCGH8500E / Item Number: 70055	32

SAFETY INSTRUCTIONS



READ THIS MANUAL BEFORE OPERATING

This manual contains important safety information and instructions. **Do not** operate this product until you have read, and completely understand all safety, operation, and maintenance instructions listed in this manual. Failure to follow the information contained in this manual will result in property damage, injury, and/or death.

NOTE: The warnings and precautions discussed in this manual cannot cover all conditions and situations that may occur. The operator must understand awareness and caution are factors which cannot be built into this product and so must be exercised by the operator.



ADDITIONAL INSTRUCTIONS

Along with this manual, be sure to read any additional instructions provided both on and with the product, attached equipment, accessories, and the engine powering the product. Pay careful attention to all additional safety rules and instructions on proper startup, operation, and shutdown procedures. Always use any recommended protective apparel that may be needed to operate the equipment safely.



Hazard Alert Symbols

Be sure to understand the safety symbols and definitions listed below. Each symbol contains one of four words: **DANGER**, **WARNING**, **CAUTION**, **NOTICE**, indicating different levels of hazard severity. These symbols are used throughout this manual and are followed information about a specific hazard, the consequences of the hazard, and instructions on how to avoid the hazard. Failure to heed these symbols and follow the instructions provided with them will result in property damage, injury, and/or death.



Indicates an imminently dangerous situation, which if not avoided, will result in property damage, serious injury, and/or death.



Indicates a potentially hazardous situation, which if not avoided, could result in property damage, serious injury, and/or death.



Indicates a hazardous situation, which if not avoided, could result in property damage and/or minor to moderate injury.



Indicates information considered important, but not directly hazard related.

Emission Information

The Environmental Protection Agency (and California Air Resource Board of generators certified to CA standards) requires that this generator comply with exhaust and evaporative emission standards. Locate the emissions compliance decal on the engine to determine what standards the generator meets and which warranty applies. This generator is certified to operate on gasoline.

The emission control system includes the following components (if equipped):

Air Induction System

- Intake pipe or manifold
- Air cleaner

Fuel System

- Carburetor
- Fuel tank and cap
- Fuel lines
- Evaporative vent lines
- Carbon canister

Ignition System

- Spark plug
- Ignition module

Exhaust System

- Exhaust manifold
- Muffler
- Pulsed Air valve
- Catalyst

Special Requirements

- In some areas, generators are required to be registered with local utility companies.
- If the generator is used at a construction site, there may be additional regulations which must be observed.
- There may be additional federal and/or state Occupational Safety and Health Administration (OSHA) regulations, local codes, or ordinances that apply to the intended use of the generator. Please consult a qualified electrician, electrical inspector, or the local agency having jurisdiction in your area.

DISCLAIMERS

- All information in this publication was based on the latest product information available at the time of printing. The FNA Group reserves the right to change, alter, and/or improve the product and this document at any time, without notice, and without incurring any obligation.
- The pictures and figures in this manual should be used for reference only. There may be differences between the pictures and figures and the physical product.
- This generator may be equipped with a spark arrestor muffler. If equipped, the spark arrestor must be maintained in effective working order by the owner/operator. In the State of California, a spark arrestor is required by law (Section 4442 of the California Public Resources Code). Other states may have similar laws. Federal laws apply on federal lands.

ASSEMBLY

Follow the steps outlined in this section to unpack and assemble your generator. If you have any questions regarding the unpacking or assembly of your generator, please have your model number and serial number ready, then contact customer support at 1-877-362-4271 or email cservice@fna-group.com.

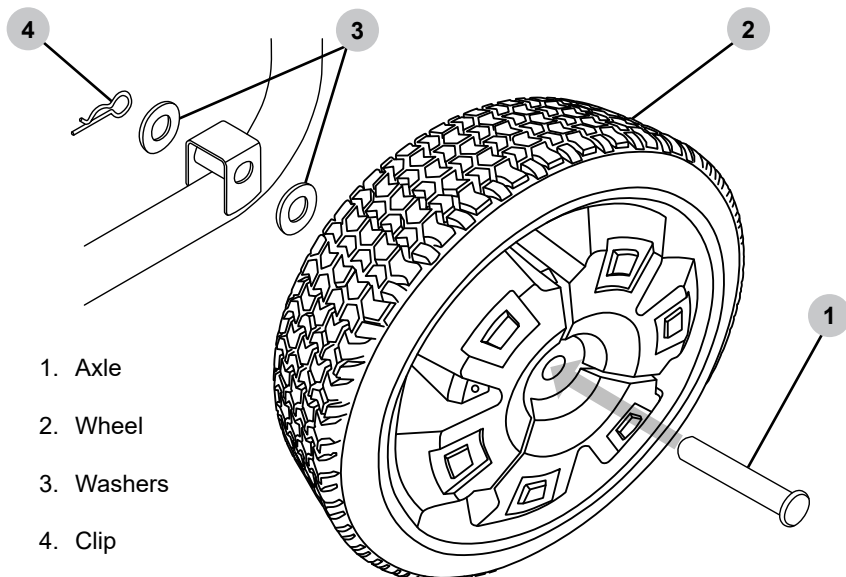
Unpacking

1. Place the shipping carton on a solid, flat surface.
2. Carefully cut the top of the carton open.
3. Carefully cut each corner of the carton from top to bottom.
4. Lay each side of the carton flat on the ground.
5. Remove everything from the carton.

Installing the Wheels

Slide the axle through the wheel, the first washer, frame mounting hole, and the second washer. Then insert the clip through the hole in the axle to secure the assembly. This process must be done on both sides of the generator.

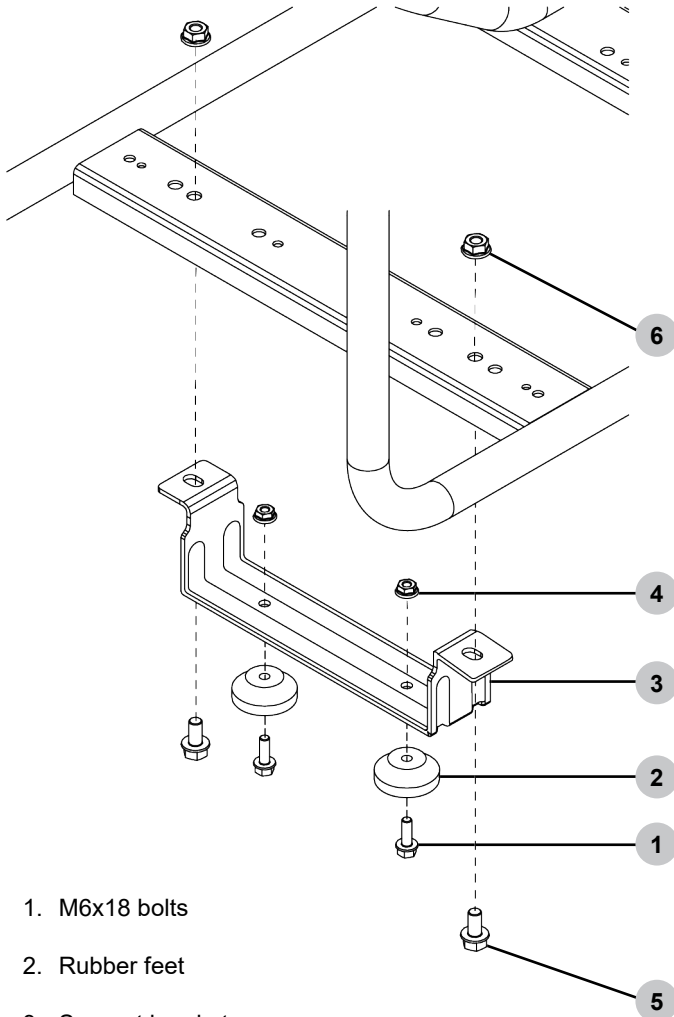
NOTE: Generator wheels are not intended for over-the-road use.



Assembling and Installing the Support Bracket

Assembling bracket: If rubber feet are not already installed on the onto the support bracket, slide both M6x18 bolts through the rubber feet then through the support bracket, and tighten M6 nuts onto the bolts to secure the assemblies.

Installing assembled bracket: Slide both M8x16 bolts through the support bracket and frame, then tighten the M8 nuts onto the bolts to secure the assembly.



1. M6x18 bolts
2. Rubber feet
3. Support bracket
4. M6 nuts
5. M8x16 bolts
6. M8 nuts

Connecting Battery (Electric Start Models Only)

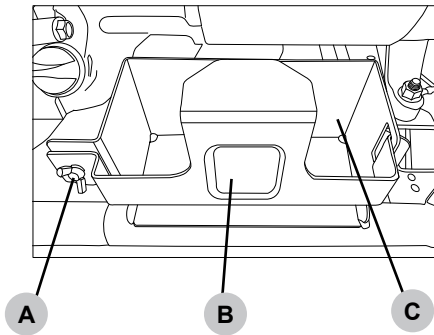
NOTE: A battery is not included with the generator. A 12-volt, 14-amp, garden tractor style battery is recommended. Please reference the engine manual for specific battery cranking amp requirements. To connect the battery, you will need to install the battery cables by following the steps outlined below. For battery location see the COMPONENT LOCATION section of this manual.



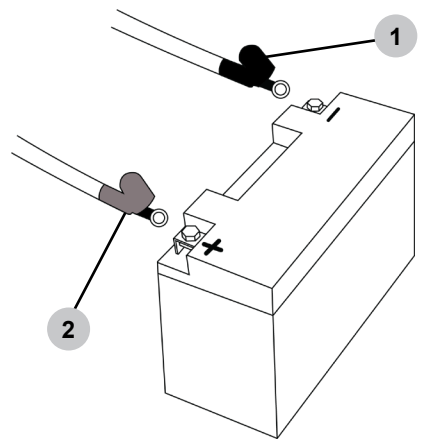
! WARNING: ACID

Batteries contain sulfuric acid. Sulfuric acid is highly corrosive. Contact with skin can cause severe burns; contact with eyes can cause permanent blindness; and accidental ingestion can cause death. To avoid contact with sulfuric acid, always wear protective equipment when handling batteries. If acid contacts skin, flush are with cool water for 10-15 minutes. Immediately remove contaminated clothing and thoroughly wash the underlying skin.

1. Remove the retaining nut on the battery box* (A), remove the battery retainer (B), place the battery in the tray (C), then replace the battery retainer and nut.
2. Remove battery terminal covers if applicable.
3. Connect black cable (1) to the negative (-) battery terminal with supplied bolt and nut.
4. Connect red cable (2) to the positive (+) battery terminal with supplied bolt and nut.
5. Make sure both the positive and negative connections are secure.
6. Slide the rubber boots over both terminals and connection hardware.

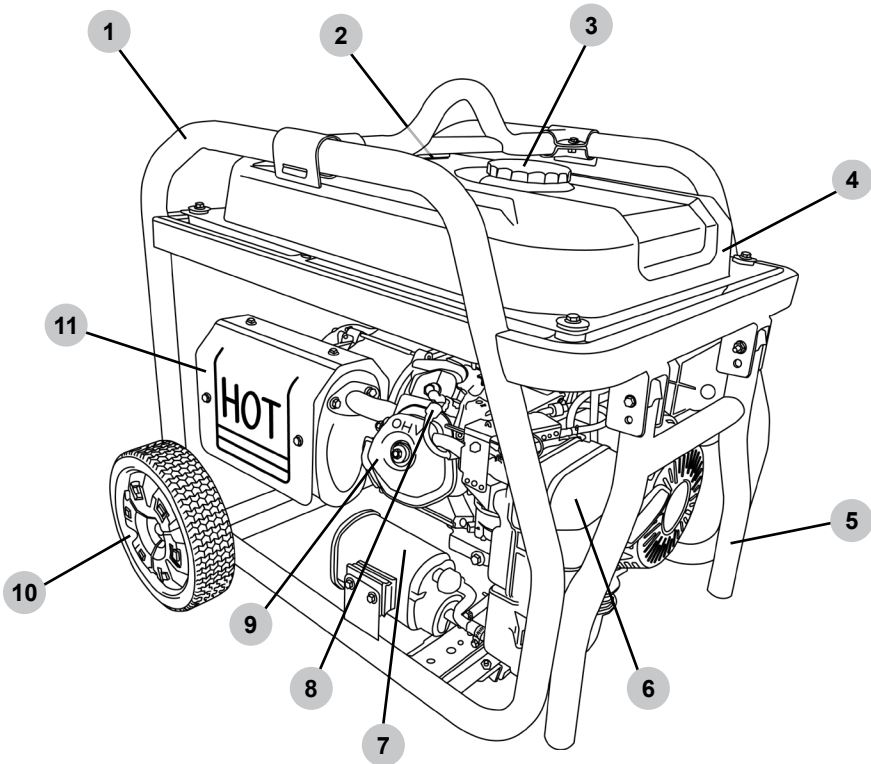


*See the Component Location section of this manual for battery box location.



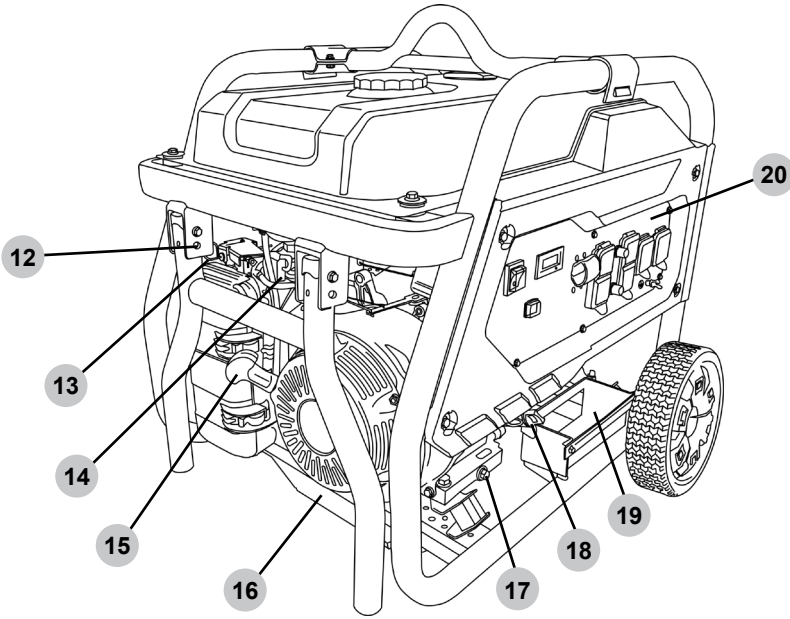
1. Negative (-) battery cable (black)
2. Positive (+) battery cable (red)

COMPONENT LOCATION

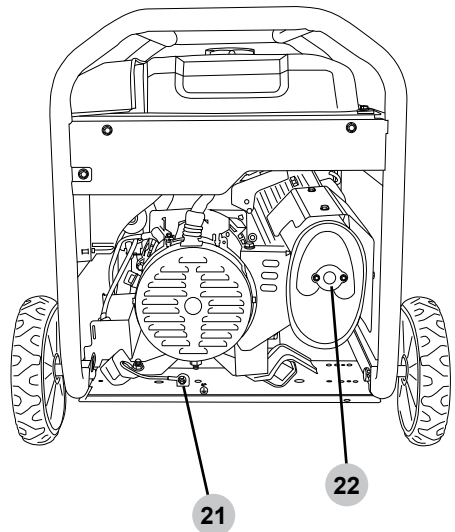


- | | |
|-------------------------|---------------------------|
| 1. Frame | 7. EVAP / carbon canister |
| 2. Fuel level indicator | 8. Spark plug |
| 3. Fuel tank cap | 9. Engine cylinder head |
| 4. Fuel tank | 10. Wheels |
| 5. Handle | 11. Exhaust heat shield |
| 6. Air filter box | |

NOTE: Line drawings used in this manual may not represent your specific model.



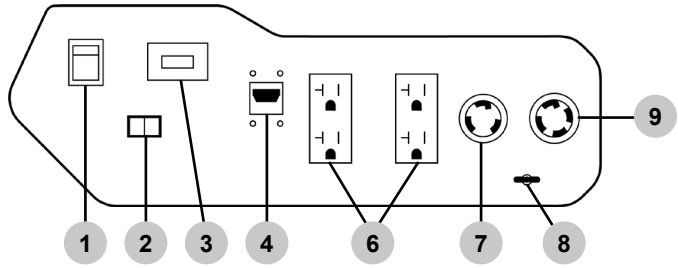
- 12. Handle stop pin
- 13. Choke
- 14. Fuel valve
- 15. Starter recoil
- 16. Support bracket
- 17. Engine oil drain plug
- 18. Oil dipstick
- 19. Battery tray (electric start models only)
- 20. Control panel
- 21. Frame ground terminal
- 22. Spark arrestor (if equipped)



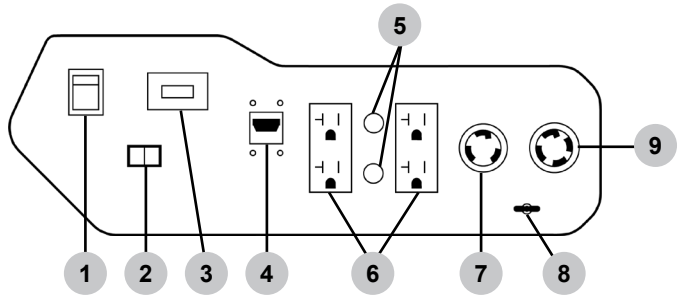
NOTE: Line drawings used in this manual may not represent your specific model.

CONTROL PANELS

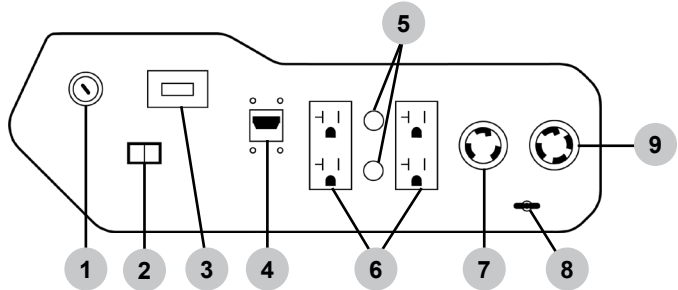
SCGH5500



SCGH8500



SCGH8500E

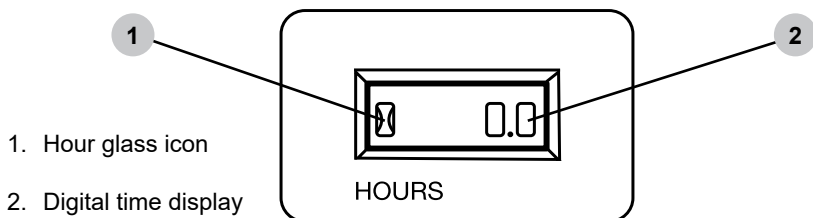


1. Engine control switch
2. Idle control switch
3. Hour meter
4. Main breakers SCGH5500 17.5 amp, SCGH8500 & SCGH8500E 30 amp
5. Circuit breakers 20 amp
6. 120v AC, single phase, 60hz duplex receptacle (5-20R)
7. 120v AC, single phase, 60hz receptacle (L5-30R)
8. Ground terminal
9. 120v / 240v AC, single phase, 60hz receptacle (L14-30R)

HOUR METER

Hour Meter

The hour meter keeps track of the time the generator is running. The hour glass icon flashes when the engine is running to signify the meter is tracking the hours of operation. The digital time display shows the recorded hours of operation. For hour meter location see the COMPONENT LOCATION section of this manual.

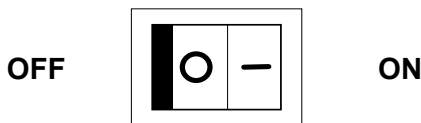


IDLE CONTROL

Idle Control

The idle control feature automatically reduces the engine speed when there is no electric load on the generator. The lower engine idle speed saves fuel, reduces engine wear, and lowers noise. The engine speed will automatically increase when an electric load is applied to the generator.

To activate the idle control feature, turn the idle control switch on. To deactivate the idle control feature, turn the idle control switch off. For idle control switch location, see the CONTROL PANELS section in this manual. The idle control feature should be off before starting or stopping the generator. Always allow the engine to warm up and the idle to stabilize before turning the idle control switch on, or placing an electrical load on the generator.



IDLE CONTROL SWITCH

OPERATING CHECKLIST

Location

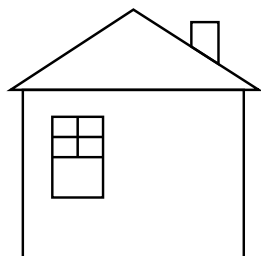
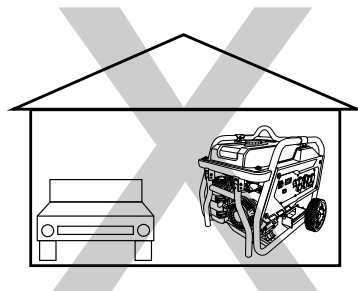
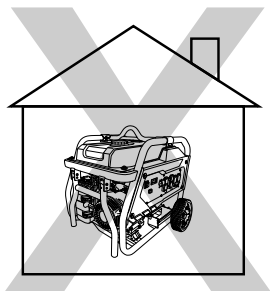
Only use the generator outside in a well-ventilated area and always carefully consider wind and air currents when running. Place the generator on a level surface before any operation and provide two (2) feet clearance on all sides of the engine while operating.

- Never use the generator inside a house, garage, or any other kind of enclosure, even if doors and windows are open.
- Install a carbon monoxide detector in any occupied buildings near the running engine.
- If you experience headache, nausea, dizziness, sleepiness, or weakness while the generator is running, move to fresh air and seek medical attention immediately.



! WARNING: TOXIC FUMES

Engine exhaust contains carbon monoxide, an odorless, colorless, poisonous gas. Running an engine indoors will kill you in minutes. Never use this product inside a house, garage, or any other kind of enclosure even if doors and windows are open. Run the engine outside at least twenty (20) feet or six (6) meters away from windows, doors, and vents. Carefully consider wind direction and air currents when using this product outside to avoid breathing in engine exhaust. Always use a carbon monoxide detector in any occupied buildings near the running engine.



Operating Conditions

Before starting engine, remove any excessive dirt and debris from cooling vents, exhaust, and starter recoil areas. Then, check for loose or damaged parts, oil or fuel leaks, and/or any other condition that may affect proper operation. Repair or replace all damaged or defective parts immediately. Always keep all safety guards in place and in proper working order. For safety reasons, the manufacturer recommends all maintenance and repairs be performed by an authorized service center. Never move or tip the generator while operating. Use generator only for its intended purpose. If you have questions about the proper use of your generator, please contact customer support at 1-877-362-4271 or cservice@fnagroup.com.



! WARNING: UNTRAINED OPERATION

Untrained persons, young children, and pets can be seriously injured or killed if allowed to incorrectly operate or play with a running generator. Be sure anyone operating the generator receives proper instructions, understands safe operation, and has read the owner's manual before operating this product. Do not let children operate the generator without parental supervision. Keep young children and pets away from the generator while it is running. Always turn the generator off before leaving the area.



! WARNING: INSPECT BEFORE OPERATING

Failure to inspect this product before use could result in a hazardous situation resulting in product damage serious injury and/or death. To avoid these hazards, inspect the generator before each use. Check for loose or damaged parts, signs of oil or fuel leaks, missing guards, plugged cooling vents, or any other condition that may affect proper operation. Repair or replace all damaged or defective parts and keep all safety guards in place and in proper working order before using the generator.



! CAUTION: HOT SURFACES

A running engine produces heat. The surfaces of the engine, related components, and engine exhaust gas get hot enough to cause mild moderate burns or ignite materials on contact. To avoid burns, do not touch engine surfaces or exhaust gases while operating and allow engine to cool completely before moving, touching, or performing any maintenance. To avoid a fire, keep all flammable materials at least five feet away from all sides of the product.



! WARNING: MOVING PARTS

This product has many parts that move at high speeds. Moving parts can cause crushing injuries, broken bones, severe lacerations, and/or traumatic amputations. To prevent injury, never place fingers, hands, feet, or other body parts near running engine. Never operate product with covers, shrouds, or other guards removed. Do not wear loose-fitting clothing, dangling drawstrings, or any other hanging items that could become entangled in moving parts while operating. Tie up long hair and remove jewelry before operating.

Grounding

Grounding the generator helps prevent electrical shock if a ground fault condition develops in the generator or in connected electrical devices. Proper grounding also helps dissipate static electricity, which often builds up in ungrounded devices. Grounding a generator with a wheel kit installed is especially important. The generators covered in this manual have two ground terminals, one on the frame and one on the control panels. For ground terminal location(s) see the COMPONENT LOCATION section of this manual. It is strongly recommend that you refer to NEC 250.34 (sections A,B, and C) and/or consult with a local electrician for grounding requirements in your area before operating the generator.



DANGER: GROUNDING

Failure to properly ground your generator will create an electrical shock hazard that could result in severe injury or death. To prevent an electric shock hazard, be sure to provide the correct ground for the desired use of the generator per the National Electric Code (NEC) 250.3 (sections A,B,and C) or consult with a local electrician to learn the appropriate grounding requirements.



DANGER: ELECTROCUTION

Do not connect devices with worn, frayed, bare, or otherwise damaged electrical cords to the generator. Electrical shorts caused by damaged wiring can damage the generator and touching live damaged electrical cords or bare wires will cause serious injury or death. To avoid these electrocution hazards, inspect all electrical cords before using them and do not use any cords that are damaged or showing bare wires.

Connecting Generator to the Electrical System of a Building

Do not attempt to backfeed power into your house from the generator. Backfeeding is trying to power your home by plugging the generator into a wall outlet. Backfeeding can damage electrical devices in your home, start an electrical fire, and cause severe injury or death to utility workers and others on your electrical grid.

Using a transfer switch is recommended when connecting a generator directly to a building's electrical system. Connections for a portable generator to a building's electrical system must be made by a qualified electrician and in strict compliance with all national and local electrical codes and laws.



WARNING: BACKFEEDING

Backfeeding can damage electrical devices in your home, start an electrical fire, and may cause severe injury or death to utility workers and others on your electrical grid. To prevent backfeeding, do not plug the generator into your home's outlets and have a qualified electrician install the generator if used as a back up power source.

Checking Fuel



WARNING: REFUELING

Gasoline is highly flammable and gasoline vapors are extremely explosive. Fire and explosions can cause severe burns and/or death. Keep gasoline away from flames, sparks, and other ignition sources. Refuel outdoors in a well-ventilated area with the engine stopped and cool. Wipe up any spilled gasoline and allow engine to dry before starting. Keep a fire extinguisher handy while refueling. Do not operate engine with leaks in the fuel system. Do not store gasoline near other flammable materials.



NOTICE OLD FUEL

Old gasoline can create deposits that clog fuel systems causing hard starting and poor performance. Damage caused by old fuel is not covered by warranty. To minimize deposits, avoid old fuel related performance issues, and prevent costly repair work, do not use gasoline that is older than 30 days.



NOTICE ALCOHOL BLENDS

Using gasoline with an alcohol blend greater than 10% (E10) will damage the engine. Damage caused by using an alcohol blend of 15% (E15), 85% (E85), or any other alcohol blend higher than 10% (E10) is not covered under warranty. To avoid engine damage caused by an alcohol blend that is too high, use gasoline with 10% (E10) alcohol or less.



NOTICE FUEL ADDITIVES

The use of fuel system cleaning additives can damage the engine and fuel systems. Damage caused by the use of fuel system cleaning additives is not covered by warranty. To avoid engine and fuel system damage, do not use any fuel system cleaning additives.



CAUTION: FUEL TANK PRESSURE

Gasoline vapor can build up inside the fuel tank creating pressure. This pressure may increase when the engine is hot from running. Opening the fuel tank under pressure can cause rapid escape of flammable vapors and possible fuel spills that may ignite from contact with hot engine surfaces resulting in burn hazard. To avoid rapidly escaping fuel vapor, always allow the engine to cool for at least two (2) minutes before removing fuel cap and loosen the fuel cap slowly to relieve any pressure in the tank.



NOTICE GASOLINE STORAGE

It is important to prevent gum deposits from forming in essential fuel system parts, such as the carburetor, fuel filter, fuel hose or tank during storage. Alcohol-blended fuels (also called gasohol, ethanol, or methanol) attract moisture, which leads to separation and formation of acids during storage. Acidic fuel and gum deposits can damage the engine's fuel system while in storage. Effects of old, stale, or contaminated fuel are not covered under warranty.

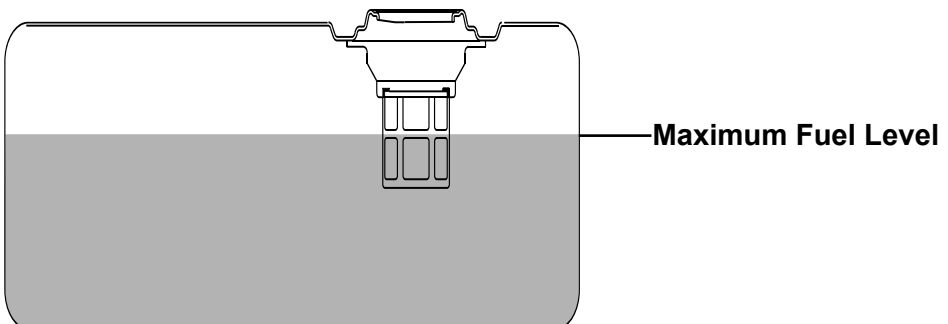
NOTE: Using a fuel stabilizer when storing gasoline will help prevent problems related to ethanol alcohol in outdoor power equipment engines. Always follow the instructions provided by the fuel stabilizer manufacturer to mix and use correctly.



NOTICE DO NOT OVERFILL FUEL TANK

Overfilling the fuel tank can result in carbon canister damage (if equipped), poor engine performance, and void the warranty. To avoid damaging the carbon canister, poor engine performance, and voiding the warranty, do not fill the fuel tank above the maximum level.

1. Check fuel with generator on a level surface with the engine off.
2. Read fuel gauge and fill fuel tank if needed. For fuel gage location see the COMPONENT LOCATION section of this manual.
3. Do not use gasoline that is older than 30 days. Use only clean and fresh regular unleaded gasoline with a minimum octane rating of 87. Do not mix oil with gasoline. Do not use gasoline that contains more than 10% ethyl alcohol. E15, E20, and E85 are not approved fuels and should not be used.
4. Do not to fill the fuel tank above the maximum fuel level to allow room for fuel expansion. For fuel capacity see the SPECIFICATIONS section of this manual.



STARTING

Starting the Generator

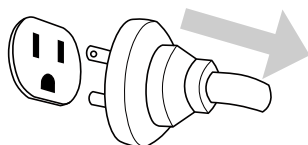
1. Follow the steps in the OPERATING CHECKLIST section of this manual.



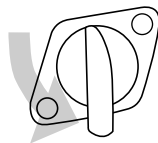
WARNING: OPERATING CHECKLIST

Attempting to start the engine incorrectly or using the generator incorrectly can result in engine and/or generator damage, and may cause serious injury or death. To avoid engine and/or generator damage and serious injury or death be sure to read, understand, and follow the steps outlined in the OPERATING CHECKLIST section of this manual before starting the engine, and follow all the guidelines for proper use of the generator.

2. Make sure there are no devices plugged into the generator outlets.



3. Turn fuel valve to the ON position. For fuel valve location see the COMPONENT LOCATION section of this manual.



ON

4. Adjust choke as needed. For choke location see the COMPONENT LOCATION section of this manual.

NOTE: The starting position of the choke will vary depending on the engine temperature. If starting a cold engine, move the choke lever towards the closed position. If starting a warm engine, move the choke lever towards the open position.

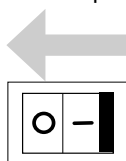
CLOSED



OPEN

5. Turn the engine idle control switch to the off position.

OFF



6. Start the engine.

NOTE: This manual covers generator models that feature both electric and manual start. Refer to the CONTROL PANELS section of this manual to determine if your model is electric or manual start, then follow the sequence below that is relevant to your model.

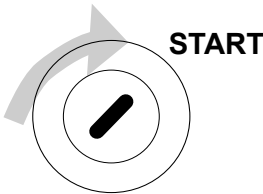


WARNING: RAPID RETRACTION

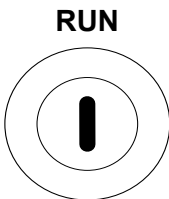
Rapid retraction (also known as kickback) of the engine recoil starter cord will pull your hand and arm towards the engine faster than you can let go of the handle resulting in sprains, broken bones, lacerations, and/or traumatic amputations. Kickback is caused by damage to the engine crankshaft key, compression release failure, and/or improper starting techniques. To avoid kickback follow the appropriate maintenance schedule, starting instructions, and have repair work done by an authorized service center.

Electric Start Models

1. Use key to turn the engine control switch to the START position then release key when engine starts.

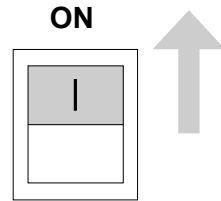


2. The engine control switch stays in the RUN position during operation.

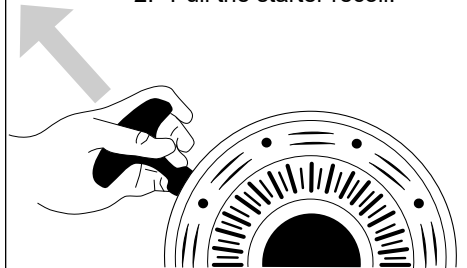


Manual Start Models

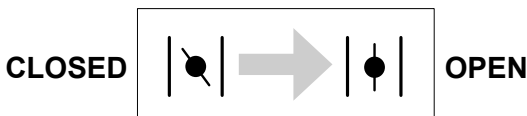
1. Turn the engine control switch to the ON position.



2. Pull the starter recoil.



7. After the engine is running, move the choke lever towards the open position.



8. Allow the engine to warm up and the idle to stabilize before connecting any devices or turning the idle control switch on.

CONNECTING DEVICES



DANGER: ELECTROCUTION

Do not connect devices with worn, frayed, bare, or otherwise damaged electrical cords to the generator. Electrical shorts caused by damaged wiring can damage the generator, and touching live damaged electrical cords or bare wires will cause serious injury or death. To avoid these electrocution hazards, inspect all electrical cords before using them and do not use any cords that are damaged or showing bare wires.

Connecting Electrical Devices

1. Allow the engine to warm up and the idle to stabilize before connecting any devices.
2. Inspect power cord for damage before using. Do not connect any electrical devices with cords or plugs showing signs of damage from crushing, cutting, or heat, or other.
3. Make sure electrical devices are off before connecting them to the generator.

Generator Load Capacity

1. Before connecting any devices, you must make sure your generator can supply enough rated (running watts) and starting (surge watts) for the electrical devices you wish to power. Exceeding the capacity of generator can damage the generator and/or electrical devices connected to it. Follow the instructions in this section to be sure you do not exceed the maximum output of the generator.
2. **Calculating Device Amperage Draw:** Every electrical device has a draw. Expressed in amperage, the draw describes the amount of current an electrical device pulls or draws to work properly. A device's draw can usually be found in the manual that came with it. However, you can also figure out the amperage draw of a device by dividing the device watts by the voltage it requires. For example, a 1000 watt circular saw running on 120 volts will draw 8.3 amps (1000 watts divided by 120 volts equals 8.3 amps).
3. **Understanding Device Surge:** Most electric devices require more power to get started than they require to run. Called surge watts, this extra amount of starting power may only last a second or two as the device powers up, but it must be considered to avoid exceeding the generator's maximum starting output. Surge watts are typically three (3) times higher than the required running watts. For example, a 700-watt microwave oven will require about 2100 watts to start.
4. To power multiple devices at the same time you will first need to be sure the surge from all the devices you wish to power does not exceed the maximum starting watts the generator can provide. Second, you must add up all the device running watts and make sure the total does not exceed the maximum running wattage the generator can provide.
5. Refer to the GENERATOR LOAD CHART in this manual for estimated running watts of common electric devices.

Generator Load Chart

Do not overload the generator. Overloading the generator may damage the generator and/or the devices plugged into the generator. Refer to the chart below to understand the loads electrical devices create when running.

Device	Running Watts
Air Conditioner (12,000 Btu)	1700
Air Conditioner (24,000 Btu)	3800
Air Conditioner (40,000 Btu)	6000
Battery Charger (20 Amp)	500
Belt Sander (3")	1000
Chain Saw	1200
Circular Saw (6-1/2")	800 - 1000
Clothes Dryer (Electric)	5750
Clothes Dryer (Gas)	700
Clothes Washer	1150
Coffee Maker	1750
Compressor (1 HP)	2000
Compressor (3/4 HP)	1800
Compressor (1/2 HP)	1400
Curling Iron	700
Dehumidifier	650
Disc Sander (9")	1200
Edge Trimmer	500
Electric Blanket	400
Electric Nail Gun	1200
Electric Range (Per element)	1500
Electric Skillet	1250
Freezer	700
Furnace Fan (3/5 HP)	875
Garage Door Opener	500 - 750
Hair Dryer	1200
Hand Drill	250 - 1100

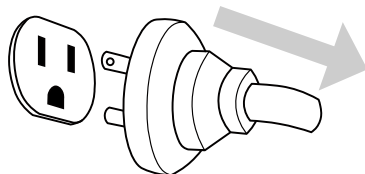
Device	Running Watts
Hedge Trimmer	450
Impact Wrench	500
Iron	1200
Jet Pump	800
Lawn Mower	1200
Light Bulb	100
Microwave Oven	700 - 1000
Milk Cooler	1100
Oil Burner on Furnace	300
Oil Fired Space Heater (140,000 Btu)	400
Oil Fired Space Heater (85,000 Btu)	225
Oil Fired Space Heater (30,000 Btu)	150
Paint Sprayer, Airless (1/3 HP)	600
Paint Sprayer, Airless (Handheld)	150
Radio	50 - 200
Refrigerator	700
Slow Cooker	200
Submersible Pump (1-1/2 HP)	2800
Submersible Pump (1 HP)	2000
Submersible Pump (1/2 HP)	1500
Sump Pump	800 - 1050
Table Saw (10")	1750 - 2000
Television	200 - 500
Toaster	1000 - 1650
Weed Trimmer	500

All the listed running watt ratings in this table are approximate. Please refer to the device's manual or contact the device's manufacturer for exact running and starting watts.

NOTE: Starting a device can require as much as three (3) times the running watts.

SHUTTING OFF GENERATOR

1. Turn off and unplug all devices from the generator outlets.

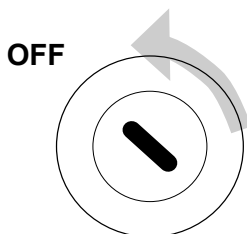


2. Turn off the engine.

NOTE: This manual covers generator models that feature both electric and manual start. Refer to the CONTROL PANELS section of this manual to determine if your model is electric or manual start, then follow the sequence below that is relevant to your model.

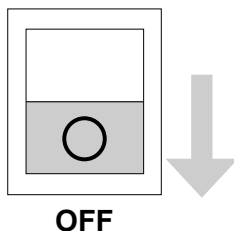
Electric Start Models

Use key to turn the engine control switch to the off position.

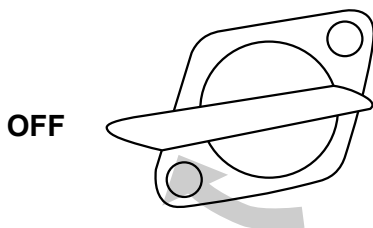


Manual Start Models

Turn the engine control switch to the off position.



3. Turn fuel valve to the OFF position. For fuel valve location see the COMPONENT LOCATION section of this manual.



4. Allow the engine to cool completely before storing.

MAINTENANCE



! CAUTION: MAINTENANCE

Improper engine and generator maintenance and failing to correct problems before operation could void the warranty and may result in property damage and injury. To prevent these hazards, follow the maintenance procedures and timelines listed in this manual and any other manual that came with this product.

Generator Maintenance

For safety reasons, the manufacturer recommends all generator service and repairs be performed by a qualified service center. Normal maintenance, replacement, and / or repair of emission control devices or systems may be performed by any establishment or individual. However, all warranty replacements or repairs must be performed by an authorized service center. To find an authorized service center near you, to make a warranty claim, or for authorized warranty repair, call 1-877-362-4271 or email cservice@fna-group.com.

It is the responsibility of the owner and/or operator to have all scheduled maintenance completed before operating the generator. Before servicing or inspecting the generator, stop the generator, disconnect all electrical devices and battery (if equipped), and allow the generator and engine to cool down.

NOTE: The Generator Maintenance section refers to all parts of the generator except engine. Please refer to the engine manual for engine maintenance information.

Engine Maintenance

Refer to the engine manual for all engine maintenance information.

Cleaning

Always clean the generator with the engine off and cool. To clean the generator, first use an air compressor set at no more than 25 PSI to clear dirt and debris from the generator surfaces, vents, and cooling slots. Then, wipe the exterior clean with a damp cloth.



NOTICE CLEANING

Water can damage the generator windings and other components if allowed to enter through cooling slots or other holes. Damage caused by water intrusion is not covered under warranty. To avoid damaging the generator, do not use a pressure washer, garden hose, or any other sources of running water to clean the generator, and never submerge the generator in any liquids.

Battery Maintenance (Electric Start Models Only)

Batteries slowly lose strength when sitting idle through a process called self-discharge. If a battery is allowed to discharge past a certain point, it cannot be recharged and must be replaced. Therefore, it is best to keep the battery fully charged at all times to achieve maximum service life.

Because batteries for the electric start generator models covered in this manual are sold separately, and because there are different styles of batteries available, it is always best to follow the battery manufacturer's recommendations when handling, charging, storing, servicing, or replacing a battery.



! WARNING: EXPLOSIVE GAS

Batteries produce hydrogen gas while charging. If exposed to an ignition source, hydrogen gas can explode possibly causing property damage, serious injury and/or death. To avoid a hydrogen gas explosion, charge batteries in a well-ventilated place away from open flames, sparks, or any other sources of ignition.



! WARNING: ACID

Batteries contain sulfuric acid. Sulfuric acid is highly corrosive. Contact with skin can cause severe burns; contact with eyes can cause permanent blindness; and accidental ingestion can cause death. To avoid contact with sulfuric acid, always wear protective equipment when handling batteries. If acid contacts skin, rinse the area with cool water for 10-15 minutes. Immediately remove contaminated clothing and rinse the underlying skin with cool water for 10-15 minutes.

Engine Idle Adjustment

The engine idle speed is set at the factory and should not require user adjustment. Tampering with the governor can damage your engine and/or generator and will void the warranty.



NOTICE IDLE ADJUSTMENT

Improper adjustment of the engine idle speed can damage you engine and/or generator set and will void the warranty. Any inspection and or adjustment of the engine idle should be done by an authorized service center. Tampering with or modifying the engine speed governor can damage you engine and/or generator set and will void the warranty.



NOTICE MODIFICATION

The generator and engine are factory set to supply the correct frequency and voltage when running. Tampering with the factory governors and adjustments could damage the generator and will void your warranty. To avoid damaging the engine or generator set, do not modify the generator settings or not adjust the engine speed.

TROUBLESHOOTING

Generator Troubleshooting Chart

Problem	Possible Causes	Solutions
Generator has no output	Circuit breakers are off	Unplug all devices and reset all the circuit breakers to the ON position
	Device or cord failure	Unplug device and check the cord and the device for damage or loose connections.
	Generator needs service	Take to an authorized service center.

Engine Troubleshooting Chart

Problem	Possible Causes	Solutions
Engine will not start <i>For more information refer to the engine manual.</i>	Engine control switch is in the OFF position.	Turn the engine control switch to the ON position.
	Choke not set correctly	Set the choke per the OPERATING CHECKLIST section of this manual
	Empty fuel tank	Add fuel to tank per the OPERATING CHECKLIST section of this manual.
	Fuel not reaching carburetor	Turn the fuel valve to the ON position
	Low engine oil	Check the oil level and fill as needed per the engine manual.
	Spark plug in bad condition	Inspect, clean, set gap, or replace the spark plug per the engine manual.
	Fuel old or stale	Remove stale fuel and replace it with fresh fuel.
	Engine needs service	Take to an authorized service center.

STORAGE AND TRANSPORTATION



NOTICE GASOLINE STORAGE

It is important to prevent gum deposits from forming in essential fuel system parts. Alcohol-blended fuels (also called gasohol, ethanol, or methanol) attract moisture, which leads to fuel separation and the formation of acids during storage. Acidic fuel and gum deposits can damage the engine's fuel system. Effects of old, stale, or contaminated fuel are not covered under warranty.

NOTE: Using a fuel stabilizer such as Ethanol Shield™ (sold separately) when storing gasoline will help prevent problems related to alcohol blended fuels in outdoor power equipment engines. Always follow the instructions provided by the fuel stabilizer manufacturer to mix and use correctly.

Storing for Two Months or Less

1. Fill fuel tank per the OPERATING CHECKLIST section of this manual and add a fuel stabilizer created for alcohol blended fuels.
2. Start the engine per the STARTING section of this manual and run it for ten (10) minutes to allow the stabilized fuel circulate through the entire fuel system.
3. With the engine still running, turn the fuel valve to the OFF position and allow the engine to run until it stalls from lack of fuel.
4. Allow the engine to cool completely.
5. Clean the generator per the MAINTENANCE section of this manual.
6. On electric start models, remove the battery and place it on a smart charger per the MAINTENANCE section of this manual.
7. Store the generator and battery in a clean, dry area that is out of direct sunlight.

Storing for More Than Two Months

1. Make sure the engine is completely cool.
2. Turn the fuel valve to the ON position.
3. Remove all the fuel from fuel tank, fuel lines, and carburetor by loosening the drain screw at the bottom of the carburetor, then drain fuel into an appropriate container.
4. Turn the fuel valve to the OFF position.
5. Change the engine oil.
6. Remove any dirt and debris from the area around the spark plug, then Use a spark plug socket or wrench to remove the spark plug.
7. Pour .5 ounces (15 ml) of new oil into the engine combustion chamber, then slowly crank the engine by pulling the recoil two (2) times to distribute oil and lubricate the cylinder.
8. Install the spark plug.
9. For electric start models, remove the battery and place it on a smart charger per the MAINTENANCE section of this manual.
10. Clean the generator per the MAINTENANCE section of this manual.
11. Store the generator and battery in a clean, dry area that is out of direct sunlight.

Transportation



WARNING: TRANSPORTATION

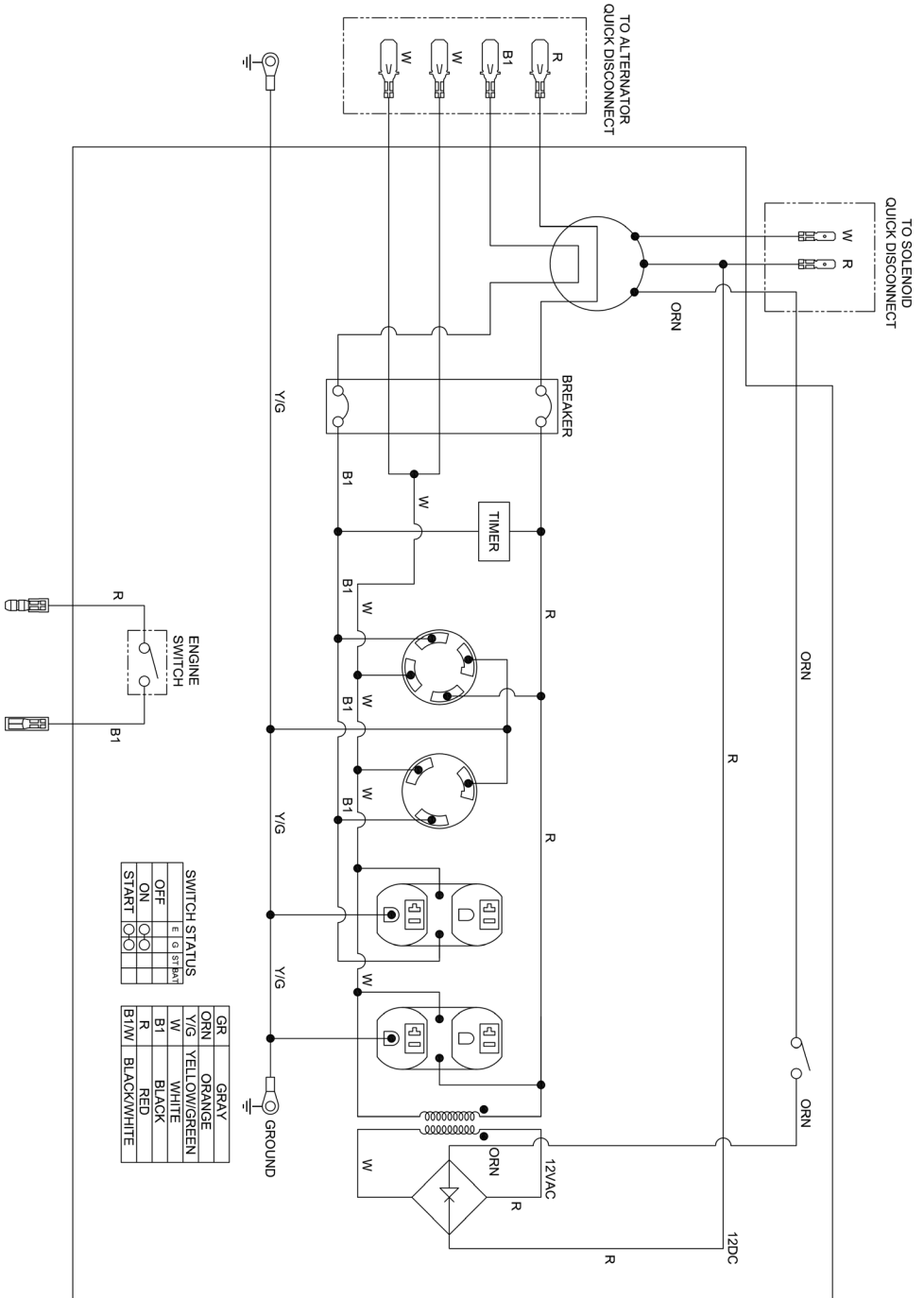
Leaving the generator in an enclosed space on the transport vehicle where temperatures can rise may cause fuel to vaporize and possibly explode. Fire and explosions can cause severe burns and/or death. To avoid leaking or vaporizing fuel, secure the generator in a well ventilated area on the transport vehicle that is out of direct sunlight and other heat sources and do not transport the generator on rough roads unless the fuel has been drained beforehand.

1. Place the fuel valve to the OFF position.
2. Turn the engine control switch to the OFF position.
3. To prevent fuel spillage when transporting, keep the generator upright on a level surface.
4. Secure generator with straps or tie downs to prevent tip over and damage from sliding.

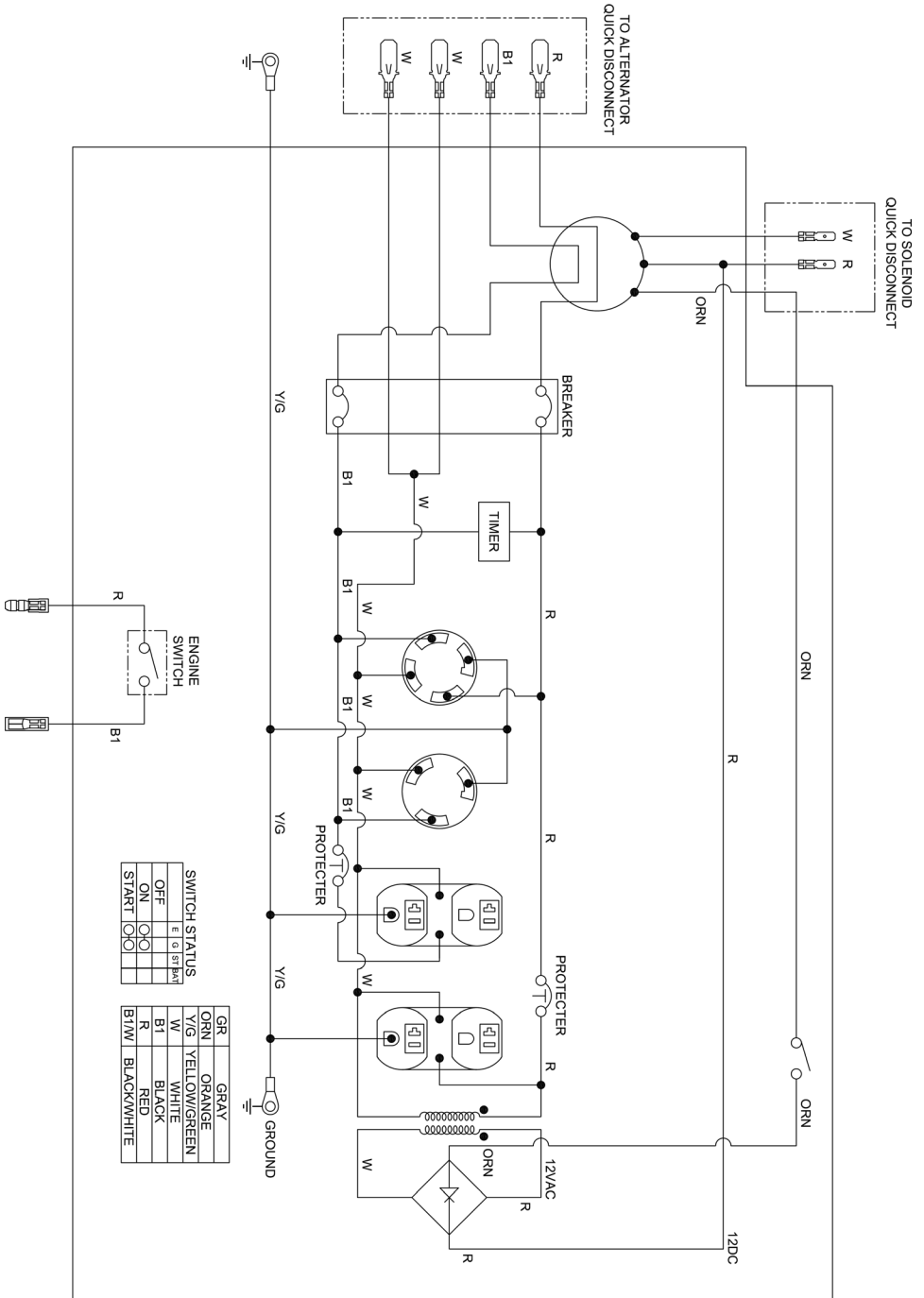
NOTE: Do not operate the generator while it is on the transport vehicle.

WIRING DIAGRAMS

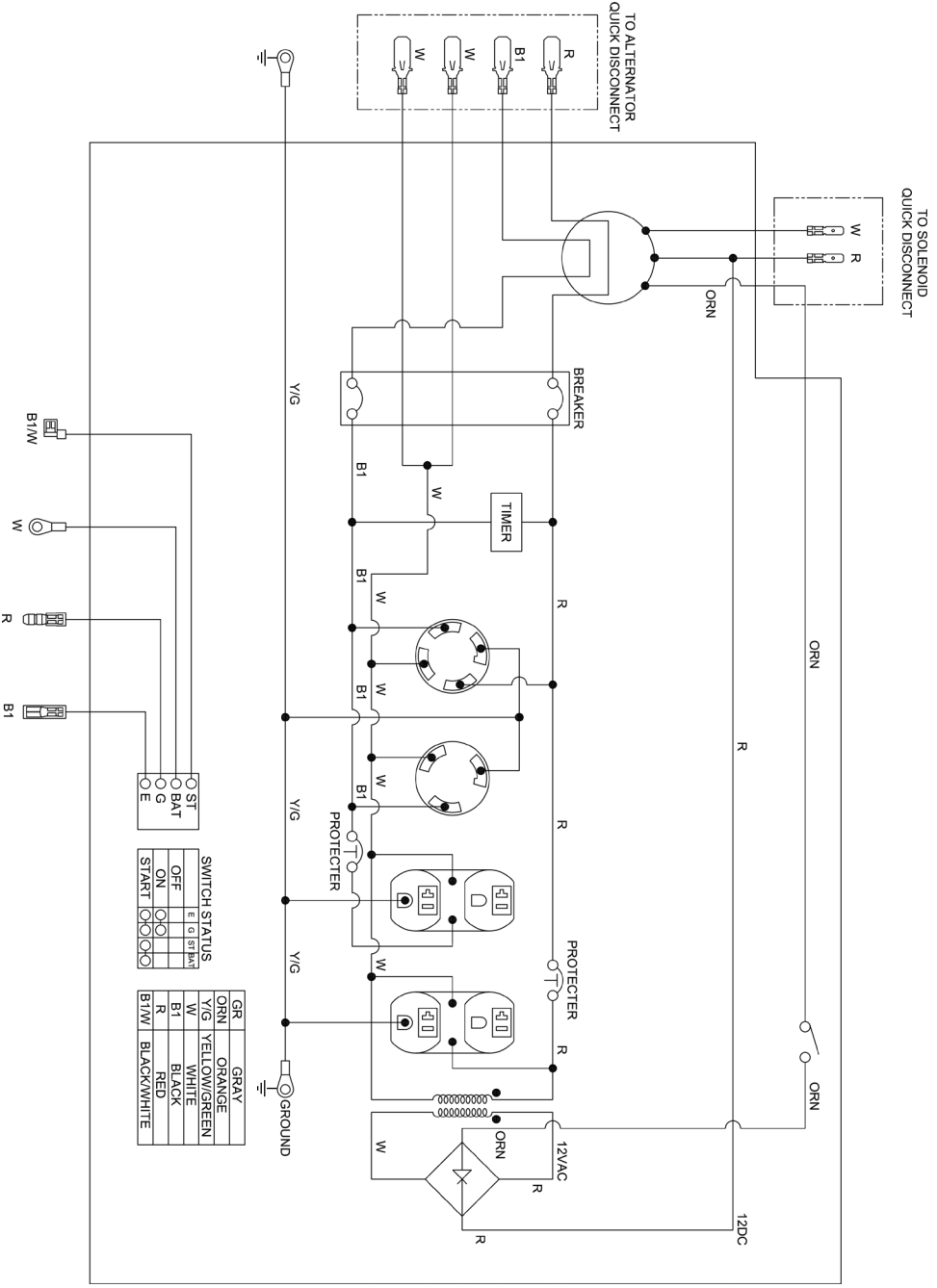
SCGH5500



SCGH8500



SCGH8500E



SPECIFICATIONS

Model Number: SCGH5500 / Item Number: 70053

Generator Set	Frequency	60hz
	Voltage	120v / 240v
	Phase	Single
	Running Watts*	4500 watts
	Starting Watts	5500 watts
	Power Factor	1.0
	Insulation Rate	Class "F" (105°C / 40°C)
	Fuel Capacity	7.9 Gallons / 30 Liters
Engine Specifications	Engine Model	Honda GX270
	Displacement	270cc
	Start Style	Recoil
	Oil Capacity	1.16 Quarts / 1.1 Liters

Model Number: SCGH8500 / Item Number: 70054

Generator Set	Frequency	60hz
	Voltage	120v / 240v
	Phase	Single
	Running Watts*	7000
	Starting Watts	8500
	Power Factor	1.0
	Insulation Rate	Class "F" (105°C / 40°C)
	Fuel Capacity	7.9 Gallons / 30 Liters
Engine Specifications	Engine Model	Honda GX390
	Displacement	389cc
	Start Style	Recoil
	Oil Capacity	1.16 Quarts / 1.1 Liters

*Generator per Portable Generator Manufacturers' Association (PGMA) standard
ANSI / PGMAG6300-2015, Safety and Performance of Portable Generators

Model Number: SCGH8500E / Item Number: 70055

Generator Set	Frequency	60hz
	Voltage	120v / 240v
	Phase	Single
	Running Watts*	7000
	Starting Watts	8500
	Power Factor	1.0
	Insulation Rate	Class "F" (105°C / 40°C)
	Fuel Capacity	7.9 Gallons / 30 Liters
Engine Specifications	Engine Model	Honda GX390
	Displacement	389cc
	Start Style	Electric & Recoil
	Oil Capacity	1.16 Quarts / 1.1 Liters

*Generator per Portable Generator Manufacturers' Association (PGMA) standard
ANSI / PGMA G300-2015, Safety and Performance of Portable Generators

THIS PAGE WAS INTENTIONALLY LEFT BLANK



READ THIS MANUAL CAREFULLY BEFORE OPERATION

Failure to follow the instructions and safety precautions in this manual can result in property damage, serious injury and/or death.

SAVE THIS MANUAL FOR FUTURE REFERENCE

Free Manuals Download Website

<http://myh66.com>

<http://usermanuals.us>

<http://www.somanuals.com>

<http://www.4manuals.cc>

<http://www.manual-lib.com>

<http://www.404manual.com>

<http://www.luxmanual.com>

<http://aubethermostatmanual.com>

Golf course search by state

<http://golfingnear.com>

Email search by domain

<http://emailbydomain.com>

Auto manuals search

<http://auto.somanuals.com>

TV manuals search

<http://tv.somanuals.com>