



Wine & Beverage Cooler Manual

We know you don't want to read through this manual, but trust us, there's good information in here.

This instruction manual includes information for the following models:

BEV88 - 95 Can Beverage Cooler

BEV116D - 132 Beverage Cooler

BEV145SRE - 178 Can Beverage Cooler

BEV176D - Dual Zone Wine & Beverage Cooler

IMPORTANT SAFETY PRECAUTIONS



To reduce the risk of fire, electrical shock, or injury when using your appliance, follow these basic precautions:



IF YOU READ NOTHING ELSE IN THIS MANUAL, PLEASE READ THIS

Risk of child becoming trapped in wine cooler, beverage cooler, other refrigeration unit or large boxes.

Junked or abandoned appliances, boxes and other containers are still dangerous, even if they will “just sit in the garage for a few days.”

Do the following before you throw away your old wine cooler, beverage cooler or refrigeration unit:

1. Take off the door.
2. Leave the shelves in place so that children cannot climb inside.

Never allow children to operate, play with, or crawl inside the appliance.

Never clean appliance parts with flammable fluids. The fumes can create a fire hazard or explosion.

Do not store in the vicinity of any other appliance. Do not store near gasoline or any other flammable vapors. The fumes can create a fire hazard or explosion.

Save these instructions.

What's in the box?

- Instruction manual
- Handle
- Spare parts (hopefully you won't need these)

I received my wine or beverage cooler, now what?

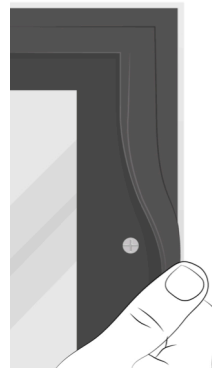
- Your wine or beverage cooler was designed to be built into kitchen or bar cabinets or it will work just fine as a stand alone appliance. Your choice.
- You should place your wine or beverage cooler on a flat, solid floor that is strong enough to support it when it is fully loaded (300-700 lbs). To level your appliance, adjust the front leveling leg at the bottom of the cabinet.
- Locate the appliance away from direct sunlight and sources of heat (stove, heater, radiator, etc.). Direct sunlight may affect the UV coating on your glass door, extreme heat or cold will also cause the unit to perform improperly.
- Avoid locating the appliance in damp areas.
- Plug the appliance into a dedicated (for this appliance only), properly installed and grounded wall outlet. Do not under any circumstances cut or remove the third (grounding) prong from the power cord. Any questions concerning power and/or electrical grounding should be directed to a certified electrician or authorized product service center.

Handle Installation

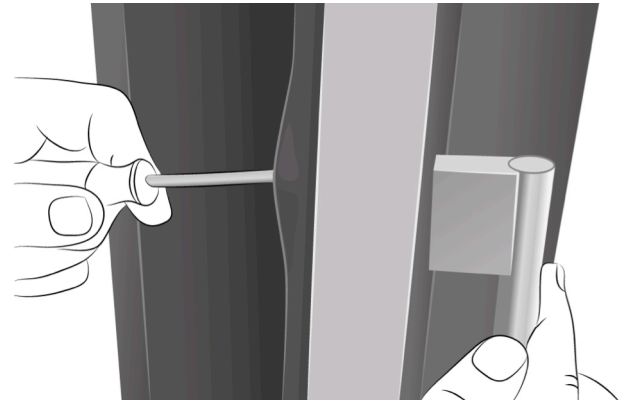
Step 1. Line up the screw holes on the handle with the screws on the front of the door. The screws will line up perfectly with the screw holes on the handle, depending on your door style. It could be either the upper or lower portion of the handle.



Step 2. Push the black rubber door gasket to the side to reveal the screw on the inside of the door.

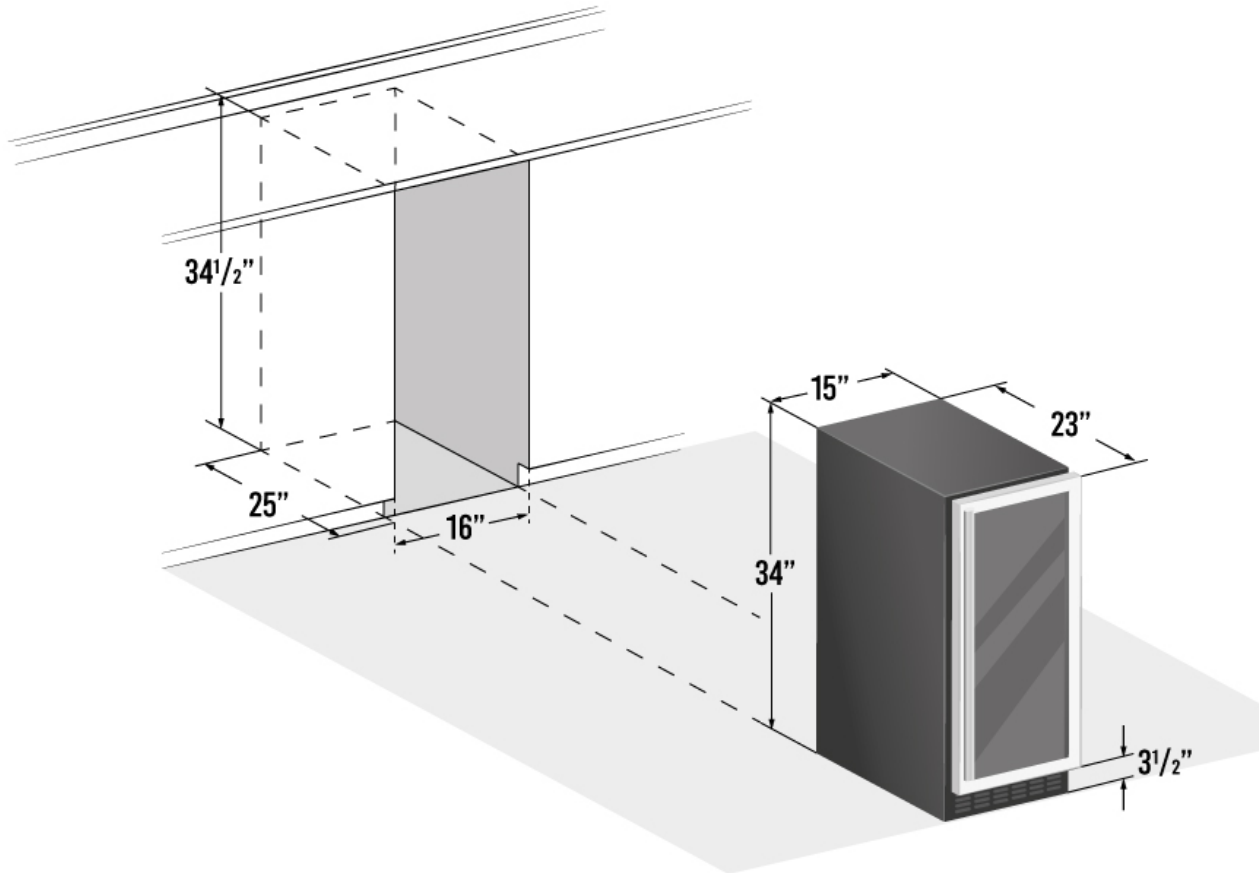


Step 3. Using a Philips head screwdriver, push on the screw at the top of the door to make sure it's protruding through the hole as far as possible and screw in to the appropriate hole on the handle. Do not fully tighten the screw into the handle at this point as it will make attaching the lower portion of the handle difficult. Once the upper screw is screwed into the handle, screw the bottom portion into the handle. Tighten top and bottom screws so that they are both snug and handle is firmly affixed to the door. Do not over torque the screws.

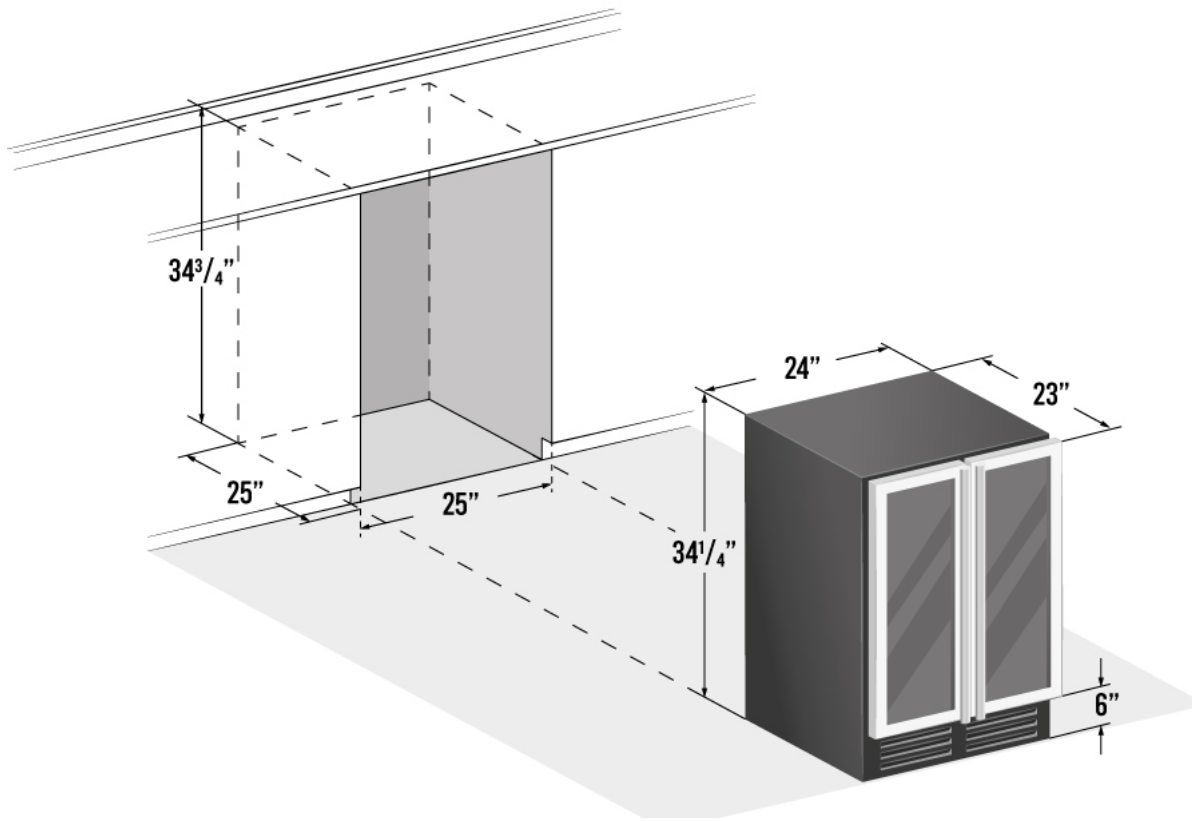


Installation instructions for built in application

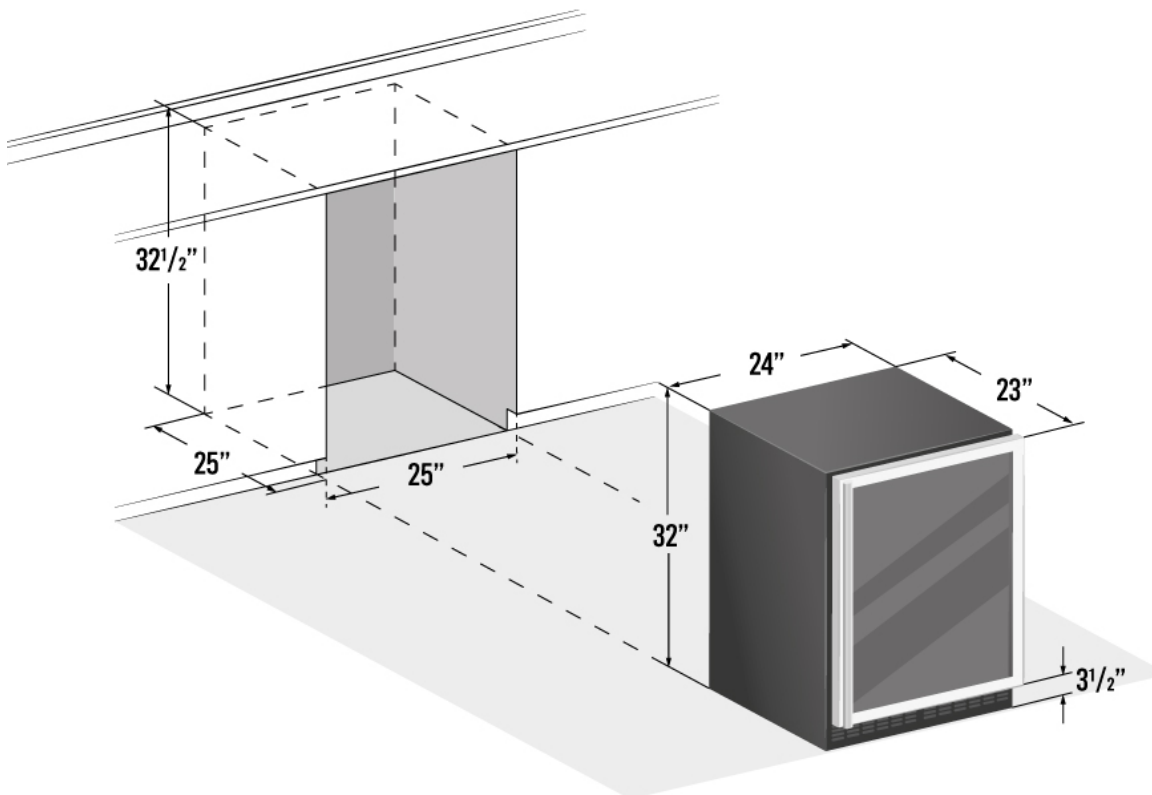
BEV88 – 95 Can Beverage Cooler



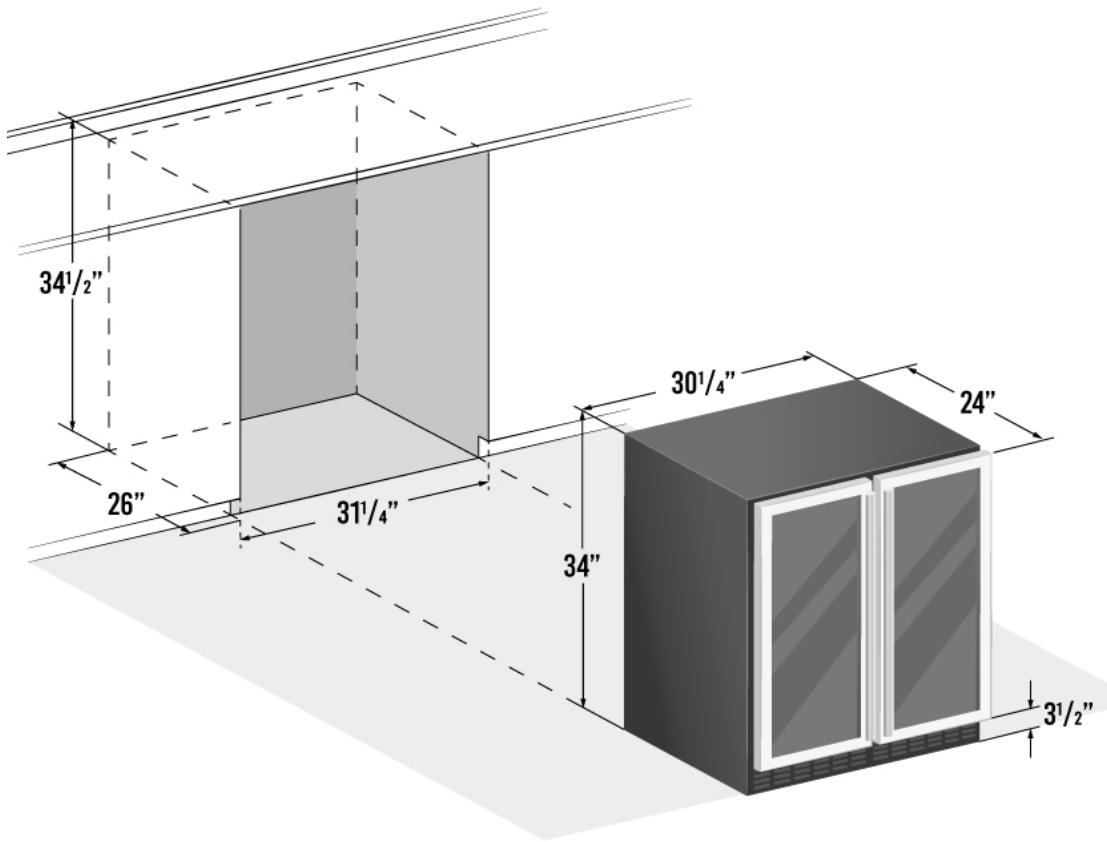
BEV116D - 190 Can Beverage Cooler



BEV145SRE - 178 Can Beverage Cooler



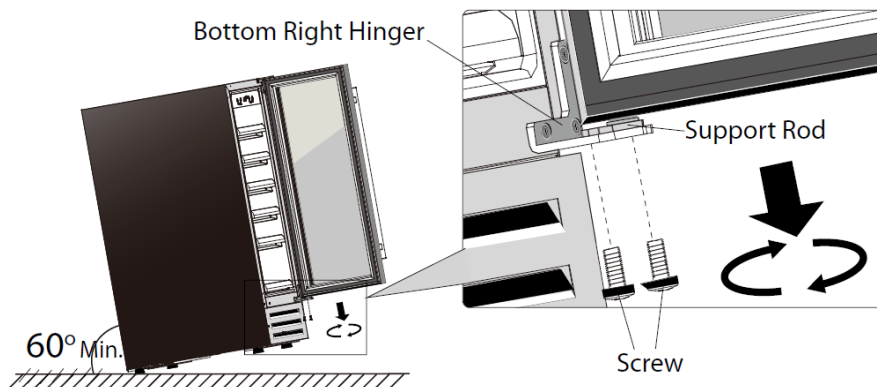
BEV176D - Dual Zone Wine & Beverage Cooler



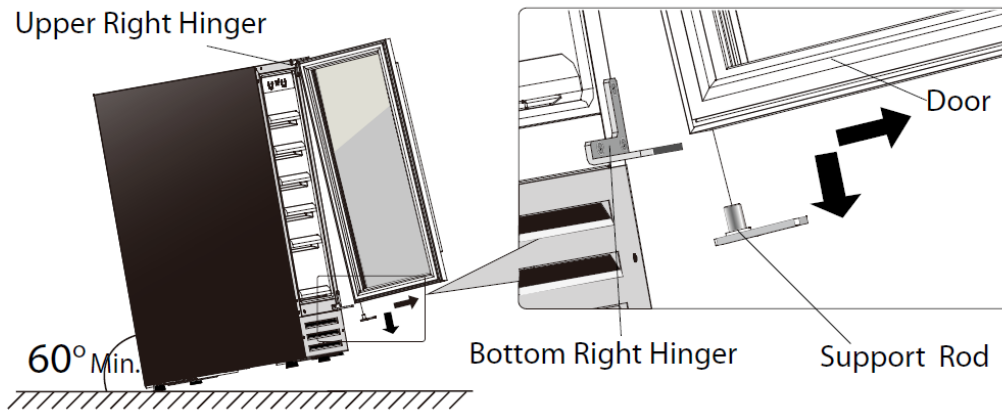
REVERSING THE DOOR SWING

- These instructions are based on a wine or beverage cooler assembled with a right hinged door.
- To reserve the door from right hinge to left hinge, you need to retrieve the **Upper Left Hinge**, and a **Bottom Left Hinge** from the spare parts pack shipped with your appliance.
- Save all extra hinges in case you need to change the direction of the door swing in the future.

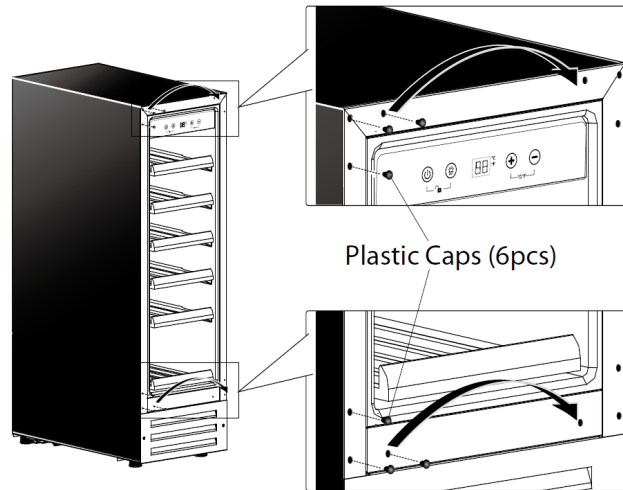
1. Open the door, and loosen the screws from the support rod of the bottom hinge.



2. Remove the door from the upper hinge and take out the support rod.

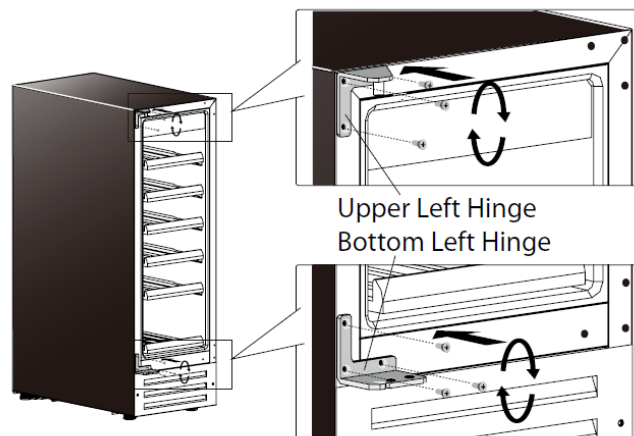


3. Unscrew the upper hinge and bottom hinge.

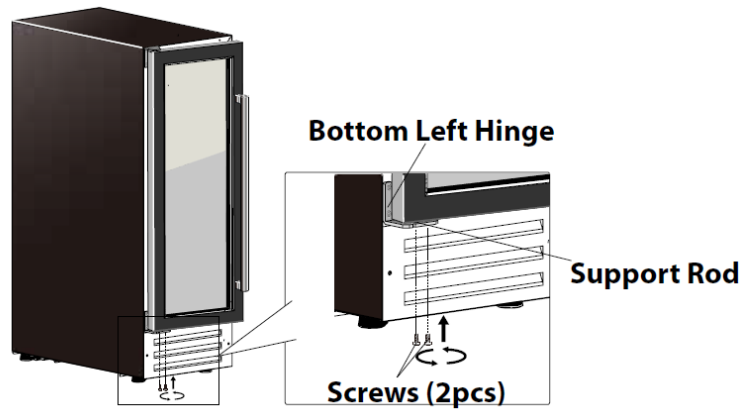


4. Pry out the plastic caps on the left side of the cabinet, and move them to the right side.

5. Install the hinge set that was included with your instruction manual on the opposite side.



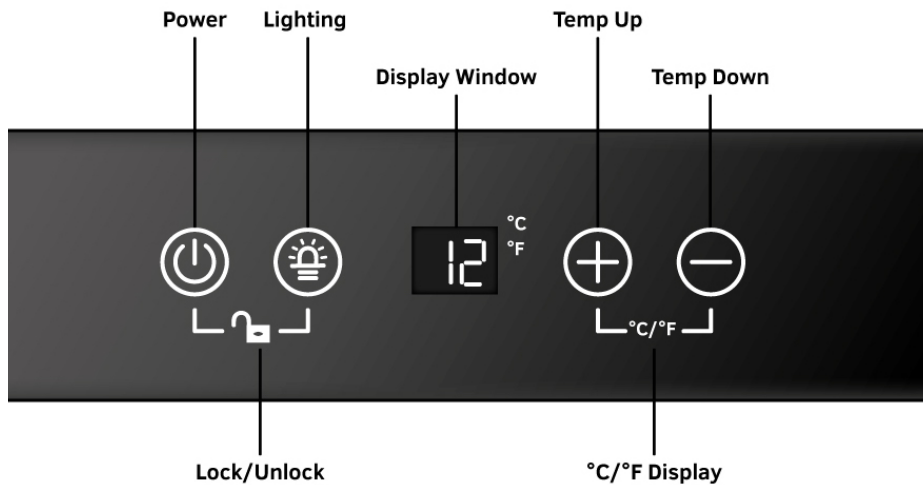
6. Rotate the door 180° so that the top is now the bottom, and install it by attaching the support rod with screws.



Quick Start Guide

The control panel of your wine or beverage cooler has a safety feature that prevents someone from accidentally changing the temperature or shutting the appliance off. If left untouched for 10 seconds, the control panel will lock and be unresponsive to touch. To unlock your appliance, press both power and light at the same time and hold for 5 seconds and wait until you hear the appliance beep. The display will unlock and allow you to change the temperatures and turn the lights on or off. Leave the display alone for 10 seconds and it will return to a locked state and beep again indicating a locked state.

Control Panel:



- Power:** Turns the wine or beverage cooler on or off.
- Lighting:** Turns the interior light on or off.
- Power/Lighting:** Unlock button.
- °C/°F:** Alters the temperature display to Fahrenheit or Celsius.
- Display Window:** Displays temperature.
- Temp. Up:** Increases temperature by 1°.
- Temp. Down:** Decreases temperature by 1°.

Best way to store bottles

Your cabinet was designed to store a maximum number of standard sized Bordeaux wine bottles (Wine Cooler) and 12 oz cans (Beverage Cooler). We recommend that you observe the tips below to optimize loading.

- Disperse the bottles and cans evenly to avoid concentrating weight in one place. Bottles and cans must not touch either the back of the cabinet or the step at the bottom.
- Make sure that the bottles and cans are not all grouped together either at the top or bottom of the cabinet.
- Only pull out one shelf at a time. Never attempt to pull more than one.

How to maintain your cooler

While your new wine or beverage cooler is mostly maintenance free, we recommend the following to keep it looking clean and working properly.

- Turn off the power, unplug the appliance and remove all items including all shelves.
- Wash the inside surfaces with a solution of warm water and baking soda (approximately 2 tablespoons of baking soda for each quart of water.)
- Wash the shelves with a mild detergent solution.
- Wring excess water out of the sponge or cloth when cleaning area of the controls, or any electrical parts.
- Wash the exterior with warm water and mild liquid detergent. Rinse well and dry with a clean soft cloth.
- Vacuum the front grill and back of the unit twice per year. Unplug the beverage cooler before cleaning.
- It is recommended to clean the unit completely inside and out once a year to maximize the longevity of the wine or beverage cooler.

Power Loss

- Power failures that are corrected within a few hours should not affect the temperature of your appliance if you minimize the number of times the door is opened. If the power is going to be off for a longer period of time, you need to take other measures to protect your contents.
- If the unit is unplugged, loses power, or is turned off, you must **wait 3 to 5 minutes before restarting**. Attempting to restart the wine cellar before this time has elapsed may prevent the wine cellar from starting.

Moving Your Appliance

- Remove all items.
- Securely tape down all loose items (shelves) inside your appliance.
- Turn the adjustable leg up to the base to avoid damage.
- Tape the door shut.
- Be sure the appliance stays secure in the upright position during transportation. If your appliance is moved on an incline greater than 30 degrees, you may upset the balance in your compressor and cause damage. Do not do this. Also protect the outside of the appliance with a blanket or similar items.

What to do if something goes wrong?

Many common issues with your wine cellar can be solved very easily. Try the troubleshooting tips below should you experience any problems.

PROBLEM	POSSIBLE CAUSE
Appliance does not operate.	Not plugged in. The appliance is turned off. The circuit breaker tripped or a fuse has blown out.
Appliance is not cold enough.	Check the temperature control setting. External environment may require a higher setting. (e.g. room needs to be air conditioned) The door is opened too often. The door is not closed completely. The door gasket is not sealing properly.
Appliance is turning on and off frequently.	The room temperature is hotter than normal. The door is opened too often. The door is not closed completely. The temperature control is not set correctly. The door gasket does not seal properly. Your wine or beverage cooler is empty. Load with bottles or cans and the temperature will stabilize in about a day.
The light does not work.	Not plugged in. The circuit breaker tripped or a fuse has blown. The light bulb has burned out. The light button is "OFF".
Vibrations.	Check to assure that the wine cellar is on a level surface.
The appliance seems to make too much noise.	Contraction and expansion of the inside walls may cause popping and crackling noises. The appliance is not on a level surface.
The door will not close properly.	The appliance is not on a level surface. The door was reversed and not properly installed. The gasket is dirty. The shelves are out of position.
The area around the door, top, or side is hot.	Your appliance comes with a heating element near the door that keeps frost and condensation off the glass and it's normal for this area to feel warm. It will not affect the temperature inside the wine or beverage cooler

SMITH & HANKS WARRANTY INFORMATION

WITH PROOF OF SALE, the following warranty coverage applies when this appliance is correctly installed, operated and maintained according to all supplied instructions.

FOR ONE YEAR from the date of sale this appliance is warranted against defects in material or workmanship. A defective appliance will receive free repair or replacement at option of Smith & Hanks. This warranty coverage is void outside the United States and if the appliance is ever used for other than private household purposes.

FOR THREE YEARS from the date of sale, the sealed refrigerant system (tubing, evaporator, condenser, and/or compressor) of this appliance is warranted against defects in material or workmanship. If a sealed system part is defective within the first year, a new part will be supplied and installed at no charge. If a sealed system part is defective after the first year, a new part will be supplied but not installed at no charge. You are responsible for the labor cost of part installation after the first year from the date of sale. This warranty coverage is void outside the United States and if the appliance is ever used for other than private household purposes.

This warranty covers ONLY product defects in material and workmanship, and will NOT pay for:

1. A service technician to clean or maintain the product.
2. A service technician to instruct the user in correct appliance installation, operation or maintenance.
3. Expendable items that can wear out from normal use within the warranty time period, including but not limited to filters, or light bulbs.
4. Service calls to correct improper appliance installation or to repair problems with house fuses, circuit breakers, house wiring, and plumbing or gas supply systems resulting from such installation.
5. Damage to or failure of this appliance resulting from improper installation, including installation that was not performed in accordance with electrical, gas or plumbing codes.
6. Damage to or failure of this appliance, including discoloration or surface rust, if it is not correctly operated and maintained according to all supplied instructions.
7. Damage to or failure of this appliance, including discoloration or surface rust, resulting from accident, alteration, abuse, misuse or use for other than its intended purpose.
8. Damage to or failure of this appliance, including discoloration or surface rust, caused by the use of detergents, cleaners, chemicals or utensils other than those recommended in all instructions supplied with the product.
9. Damage to or failure of this appliance resulting from natural or other catastrophe, such as flood, fire or storm.
10. Damage to or failure of parts or systems resulting from unauthorized modifications made to this appliance.
11. Service to an appliance if the model and serial plate is missing, altered or cannot easily be determined to have the appropriate certification logo.

Free Manuals Download Website

<http://myh66.com>

<http://usermanuals.us>

<http://www.somanuals.com>

<http://www.4manuals.cc>

<http://www.manual-lib.com>

<http://www.404manual.com>

<http://www.luxmanual.com>

<http://aubethermostatmanual.com>

Golf course search by state

<http://golfingnear.com>

Email search by domain

<http://emailbydomain.com>

Auto manuals search

<http://auto.somanuals.com>

TV manuals search

<http://tv.somanuals.com>