



PERFORMER[®] DELUXE

CHARCOAL GRILL OWNER'S GUIDE

ESNA GUÍA DEL PROPIETARIO DE LA BARBACOA DE CARBÓN VEGETAL - Pg 27

FC MODE D'EMPLOI DU GRILL À CHARBON DE BOIS - Pg 39

Assembly, Ensamblaje, Assemblage - Pg 7

**YOU MUST READ THIS OWNERS GUIDE
BEFORE OPERATING YOUR GAS GRILL**

⚠ DANGER

If you smell gas:

1. Shut off gas to the appliance.
2. Extinguish any open flames.
3. Open lid.
4. If odor continues, keep away from the appliance and immediately call your gas supplier or your fire department.

Leaking gas may cause a fire or explosion which can cause serious bodily injury or death, or damage to property.

⚠ WARNING

1. Do not store spare liquid propane cylinder within 10 feet (3m) of this appliance.
2. Do not store or use gasoline or other flammable liquids or vapors within 25 feet (8m) of this appliance.

⚠ WARNING: Follow all leak-check procedures carefully in this manual prior to grill operation. Do this even if the grill was dealer-assembled.

NOTICE TO INSTALLER: These instructions must be left with the owner and the owner should keep them for future use.

**THIS GAS APPLIANCE IS DESIGNED FOR
OUTDOOR USE ONLY.**

⚠ WARNING: Do not try to light this appliance without reading the "Lighting" Instructions section of this manual.

⚠ Failure to follow these instructions could result in fire or explosion which could cause property damage, personal injury or death.



57875
US 08/15/14

DANGERS AND WARNINGS

FAILURE TO HEED THESE DANGER, WARNING, AND CAUTION STATEMENTS MAY CAUSE SERIOUS BODILY INJURY OR DEATH, OR A FIRE OR EXPLOSION RESULTING IN DAMAGE TO PROPERTY.

- ⚠ SAFETY SYMBOLS (⚠) will alert you to important SAFETY information.
- ⚠ Signal Words DANGER, WARNING, or CAUTION will be used with the SAFETY SYMBOL.
- ⚠ DANGER will identify the most serious hazard.
- ⚠ Please read all safety information contained in this Owner's Guide before operating this grill.

⚠ DANGERS

- ⚠ Do not use this grill under any overhead combustible construction.
- ⚠ Improper assembly may be dangerous. Please follow the assembly instructions in this manual. Do not use grill unless all parts are in place. Make sure either the ash catcher is properly attached to the legs underneath the bowl of the grill, or the high capacity ash catcher is in place, before lighting the grill.
- ⚠ Combustible materials should never be within 24 inches of the top, bottom, back or sides of grill.
- ⚠ Never lean over the grill when lighting the gas burner.
- ⚠ Do not use grill in high winds.
- ⚠ Do not operate the grill if a gas leak is present.
- ⚠ Do not use a flame to check for gas leaks.
- ⚠ Should the burner go out at any time during operation, turn tank valve off. Remove lid and wait five minutes before attempting to relight, using the lighting instructions outlined in this Manual.
- ⚠ Do not attempt to disconnect the gas regulator from the tank or any gas fitting while the grill is in use.
- ⚠ Use only the LP gas regulator that is supplied with your grill.

⚠ WARNINGS

- ⚠ Do not store a spare or disconnected LP tank under or near this grill.
- ⚠ Keep the grill on a secure, level surface at all times, clear of combustible materials.
- ⚠ Do not put a grill cover or anything flammable on or in the storage area under the grill
- ⚠ Always remove the lid before lighting the gas burner, either manually or with the igniter. Lid must remain OFF until charcoal is fully ignited.
- ⚠ Use proper grill tools, with long, heat-resistant handles.
- ⚠ Some models may include the Tuck-Away™ lid holder feature. The Tuck-Away™ lid holder is used to store the lid while checking on or turning your food. Do not use the Tuck-Away™ lid holder as a handle to lift or move the grill. Do not place a hot lid on carpeting or grass. Do not hang the lid on the bowl handle.
- ⚠ Handle and store hot electric starters carefully.
- ⚠ Keep electrical wires and cords away from the hot surfaces of the grill and away from high traffic areas.
- ⚠ After a period of storage and/or nonuse, check for gas leaks and burner obstructions before using. See instructions in this manual for correct procedures.
- ⚠ The conversion or attempted use of natural gas in this grill is dangerous and will void your warranty.
- ⚠ A dented or rusty LP tank may be hazardous and should be checked by your liquid propane supplier. Do not use an LP tank with a damaged valve.
- ⚠ Although your LP tank may appear to be empty, it may still contain gas. The tank should be transported and stored accordingly.
- ⚠ PROP 65 WARNING: Handling the brass material on this product exposes you to lead, a chemical known to the State of California to cause cancer, and birth defects and other reproductive harm. Wash hands after handling this product.
- ⚠ If you see, smell or hear gas escaping from the LP tank:
 1. Get away from the LP tank.
 2. Do not attempt to correct the problem yourself.
 3. Call your Fire Department.

⚠ CAUTIONS

- ⚠ Lining the bowl with aluminum foil will obstruct the air flow. Instead, use a drip pan to catch drippings from meat when cooking by the Indirect Method.
- ⚠ Using sharp objects to clean the cooking grate or remove ashes will damage the finish.
- ⚠ Using abrasive cleaners on the cooking grates or the grill itself will damage the finish.
- ⚠ The grill should be thoroughly cleaned on a regular basis.

WARRANTY

Thank you for purchasing a WEBER® product. Weber-Stephen Products LLC, 200 East Daniels Road, Palatine, Illinois 60067-6266 ("Weber") prides itself on delivering a safe, durable, and reliable product.

This is Weber's Voluntary Warranty provided to you at no extra charge. It contains the information you will need to have your WEBER® product repaired in the unlikely event of a failure or defect.

Pursuant to applicable laws, the customer has several rights in case the product is defective. Those rights include supplementary performance or replacement, abatement of the purchasing price and compensation. In the European Union, for example, this would be a two-year statutory warranty starting on the date of the handover of the product. These and other statutory rights remain unaffected by this warranty provision. In fact, this warranty grants additional rights to the Owner that are independent from statutory warranty provisions.

WEBER'S VOLUNTARY WARRANTY

Weber warrants, to the purchaser of the WEBER® product (or in the case of a gift or promotional situation, the person for whom it was purchased as a gift or promotional item), that the WEBER® product is free from defects in material and workmanship for the period(s) of time specified below when assembled and operated in accordance with the accompanying Owner's Guide. (Note: If you lose or misplace your WEBER® Owner's Guide, a replacement is available online at www.weber.com, or such country-specific website to which Owner may be redirected.) Under normal, private single family home or apartment use and maintenance, Weber agrees within the framework of this warranty to repair or replace defective parts within the applicable time periods, limitations and exclusions listed below. TO THE EXTENT ALLOWABLE BY APPLICABLE LAW, THIS WARRANTY IS EXTENDED ONLY TO THE ORIGINAL PURCHASER AND IS NOT TRANSFERABLE TO SUBSEQUENT OWNERS, EXCEPT IN THE CASE OF GIFTS AND PROMOTIONAL ITEMS AS NOTED ABOVE.

OWNER'S RESPONSIBILITIES UNDER THIS WARRANTY

To ensure trouble-free warranty coverage, it is important (but it is not required) that you register your WEBER® product online at www.weber.com, or such country-specific website to which Owner may be redirected). Please also retain your original sales receipt and/or invoice. Registering your WEBER® product confirms your warranty coverage and provides a direct link between you and Weber in case we need to contact you.

The above warranty only applies if the Owner takes reasonable care of the WEBER® product by following all assembly instructions, usage instructions, and preventative maintenance as outlined in the accompanying Owner's Guide, unless the Owner can prove that the defect or failure is independent of non-compliance with the above mentioned obligations. If you live in a coastal area, or have your product located near a pool, maintenance includes regular washing and rinsing of the exterior surfaces as outlined in the accompanying Owner's Guide.

WARRANTY HANDLING / EXCLUSION OF WARRANTY

If you believe that you have a part which is covered by this Warranty, please contact Weber Customer Service using the contact information on our website (www.weber.com, or such country-specific website to which Owner may be redirected). Weber will, upon investigation, repair or replace (at its option) a defective part that is covered by this Warranty. In the event that repair or replacement are not possible, Weber may choose (at its option) to replace the grill in question with a new grill of equal or greater value. Weber may ask you to return parts for inspection, shipping charges to be pre-paid.

This WARRANTY lapses if there are damages, deteriorations, discolorations, and/or rust for which Weber is not responsible caused by:

- Abuse, misuse, alteration, modification, misapplication, vandalism, neglect, improper assembly or installation, and failure to properly perform normal and routine maintenance;
- Insects (such as spiders) and rodents (such as squirrels), including but not limited to damage to burner tubes and/or gas hoses;
- Exposure to salt air and/or chlorine sources such as swimming pools and hot tubs/spas;
- Severe weather conditions such as hail, hurricanes, earthquakes, tsunamis or surges, tornadoes or severe storms.

The use and/or installation of parts on your WEBER® product that are not genuine Weber parts will void this Warranty, and any damages that result hereby are not covered by this Warranty. Any conversion of a gas grill not authorized by Weber and performed by a Weber authorized service technician will void this Warranty.

PRODUCT WARRANTY PERIODS

Cooking/charcoal grates: 2 years,
no rust through/burn through

One-Touch™ cleaning system: 5 years,
no rust through/burn through

Bowl, lid, and center ring: 10 years,
no rust through/burn through

Plastic components: 5 years,
excluding fading or discoloration

All remaining parts: 2 years

DISCLAIMERS

APART FROM THE WARRANTY AND DISCLAIMERS AS DESCRIBED IN THIS WARRANTY STATEMENT, THERE ARE EXPLICITLY NO FURTHER WARRANTY OR VOLUNTARY DECLARATIONS OF LIABILITY GIVEN HERE WHICH GO BEYOND THE STATUTORY LIABILITY APPLYING TO WEBER. THE PRESENT WARRANTY STATEMENT ALSO DOES NOT LIMIT OR EXCLUDE SITUATIONS OR CLAIMS WHERE WEBER HAS MANDATORY LIABILITY AS PRESCRIBED BY STATUTE.

NO WARRANTIES SHALL APPLY AFTER THE APPLICABLE PERIODS OF THIS WARRANTY. NO OTHER WARRANTIES GIVEN BY ANY PERSON, INCLUDING A DEALER OR RETAILER, WITH RESPECT TO ANY PRODUCT (SUCH AS ANY "EXTENDED WARRANTIES"), SHALL BIND WEBER. THE EXCLUSIVE REMEDY OF THIS WARRANTY IS REPAIR OR REPLACEMENT OF THE PART OR PRODUCT.

IN NO EVENT UNDER THIS VOLUNTARY WARRANTY SHALL RECOVERY OF ANY KIND BE GREATER THAN THE AMOUNT OF THE PURCHASE PRICE OF THE WEBER PRODUCT SOLD.

YOU ASSUME THE RISK AND LIABILITY FOR LOSS, DAMAGE, OR INJURY TO YOU AND YOUR PROPERTY AND/OR TO OTHERS AND THEIR PROPERTY ARISING OUT OF THE MISUSE OR ABUSE OF THE PRODUCT OR FAILURE TO FOLLOW INSTRUCTIONS PROVIDED BY WEBER IN THE ACCOMPANYING OWNER'S GUIDE.

PARTS AND ACCESSORIES REPLACED UNDER THIS WARRANTY ARE WARRANTED ONLY FOR THE BALANCE OF THE ABOVE MENTIONED ORIGINAL WARRANTY PERIOD(S).

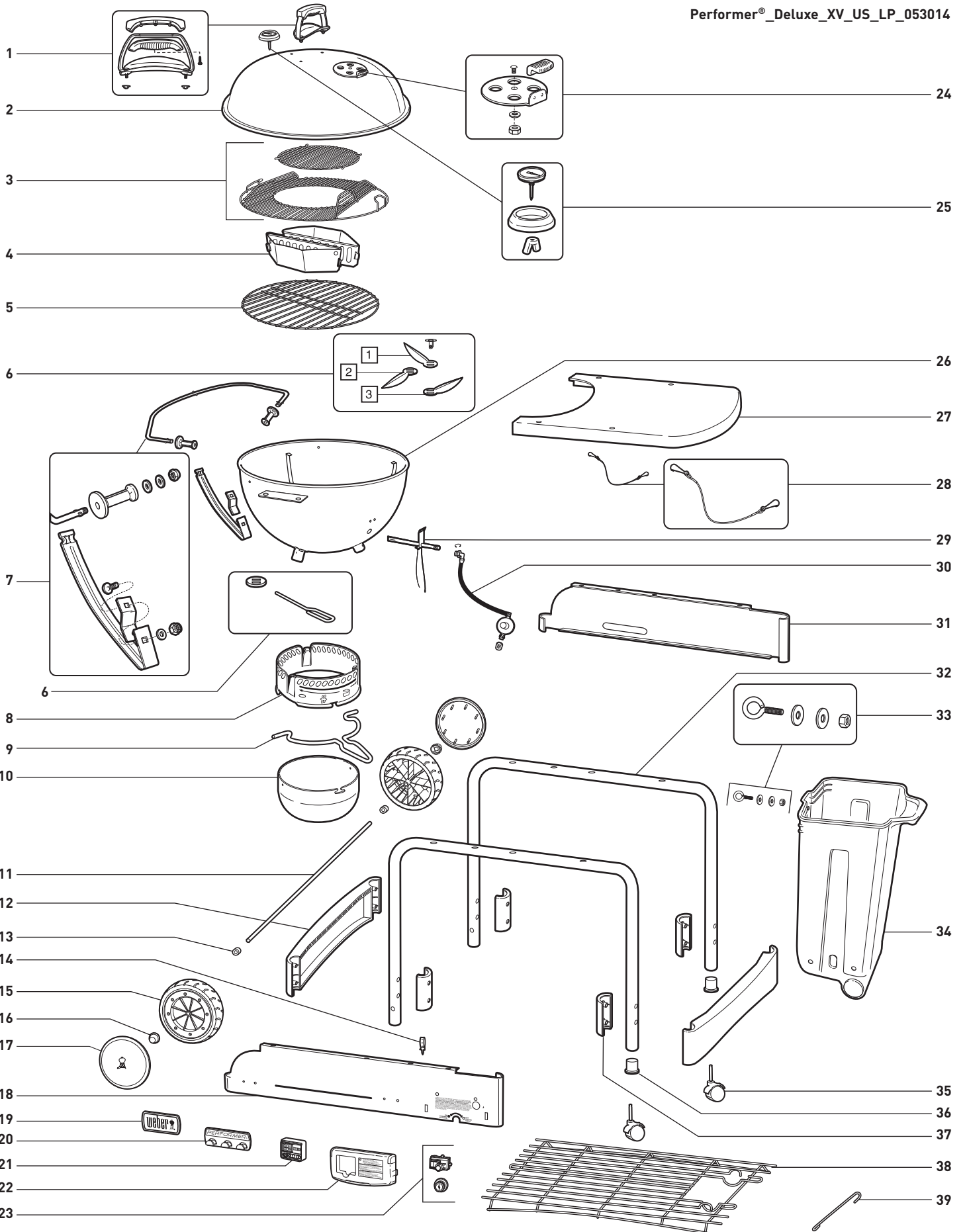
THIS WARRANTY APPLIES TO PRIVATE SINGLE FAMILY HOME OR APARTMENT USE ONLY AND DOES NOT APPLY TO WEBER GRILLS USED IN COMMERCIAL, COMMUNAL OR MULTI-UNIT SETTINGS SUCH AS RESTAURANTS, HOTELS, RESORTS, OR RENTAL PROPERTIES.

WEBER MAY FROM TIME TO TIME CHANGE THE DESIGN OF ITS PRODUCTS. NOTHING CONTAINED IN THIS WARRANTY SHALL BE CONSTRUED AS OBLIGATING WEBER TO INCORPORATE SUCH DESIGN CHANGES INTO PREVIOUSLY MANUFACTURED PRODUCTS, NOR SHALL SUCH CHANGES BE CONSTRUED AS AN ADMISSION THAT PREVIOUS DESIGNS WERE DEFECTIVE.

WEBER-STEPHEN PRODUCTS LLC
Customer Service Center
2900 Golf Road
Rolling Meadows, IL 60008
U.S.A.

EXPLODED VIEW • DIAGRAMA DE DESPIECE • VUE ECLATEE

Performer®_Deluxe_XV_US_LP_053014



US

1. Lid Handle Assembly
2. Lid
3. GBS™ Cooking Grate
4. Char-Baskets™
5. Charcoal Grate
6. One Touch™ Cleaning System
7. Tuck-Away™ Lid Holder & Lower Support Assembly
8. Ash Catcher Ring
9. Ash Catcher Handle
10. High Capacity Ash Catcher
11. Axle
12. Leg Frame Bracket
13. Wheel Spacer
14. Igniter Wire Stay
15. Wheel
16. Hub Cap
17. Wheel Cover
18. Front Panel
19. Logo Plate
20. Tool Holder
21. Digital Cook Timer
22. Gas Control Cover
23. Igniter Button / Igniter Module
24. Lid Damper Assembly
25. Thermometer Assembly
26. Bowl
27. Table
28. CharBin™ Retention Chain
29. Burner Assembly
30. Hose & Regulator with Orifice & Clip
31. Rear Panel
32. Leg Frame
33. CharBin™ Hardware
34. CharBin™
35. Locking Caster
36. Caster Insert
37. Leg Frame Bracket Clamp
38. Bottom Rack
39. Matchstick Holder

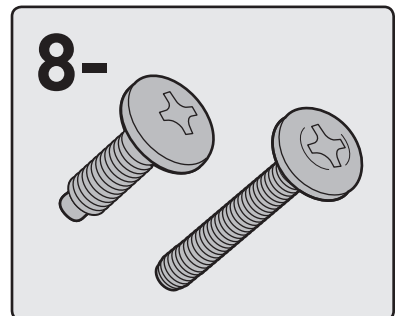
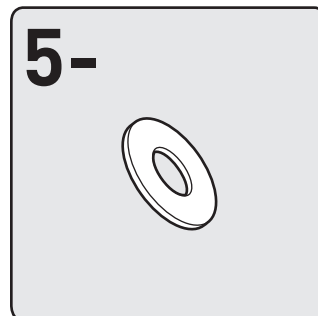
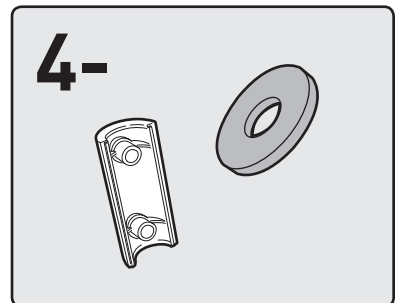
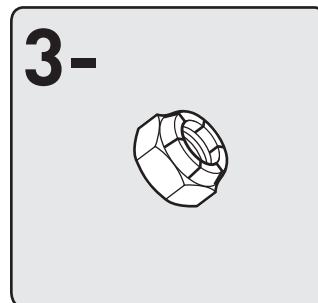
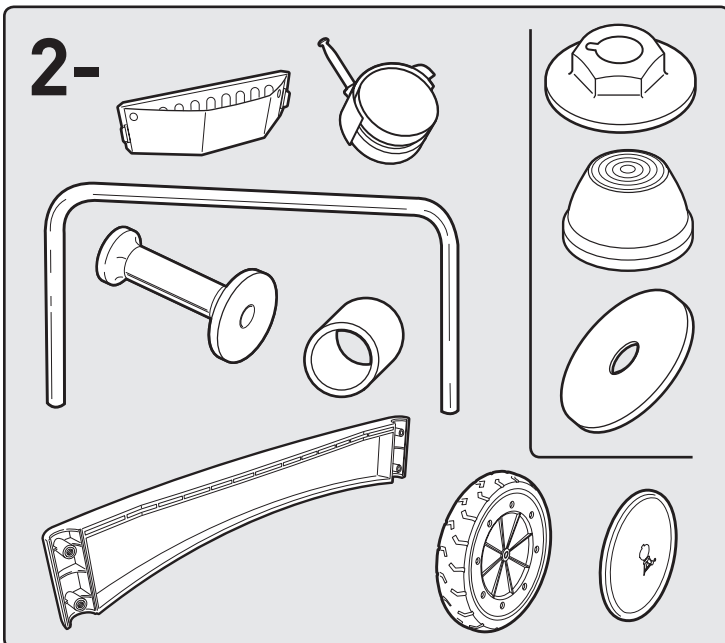
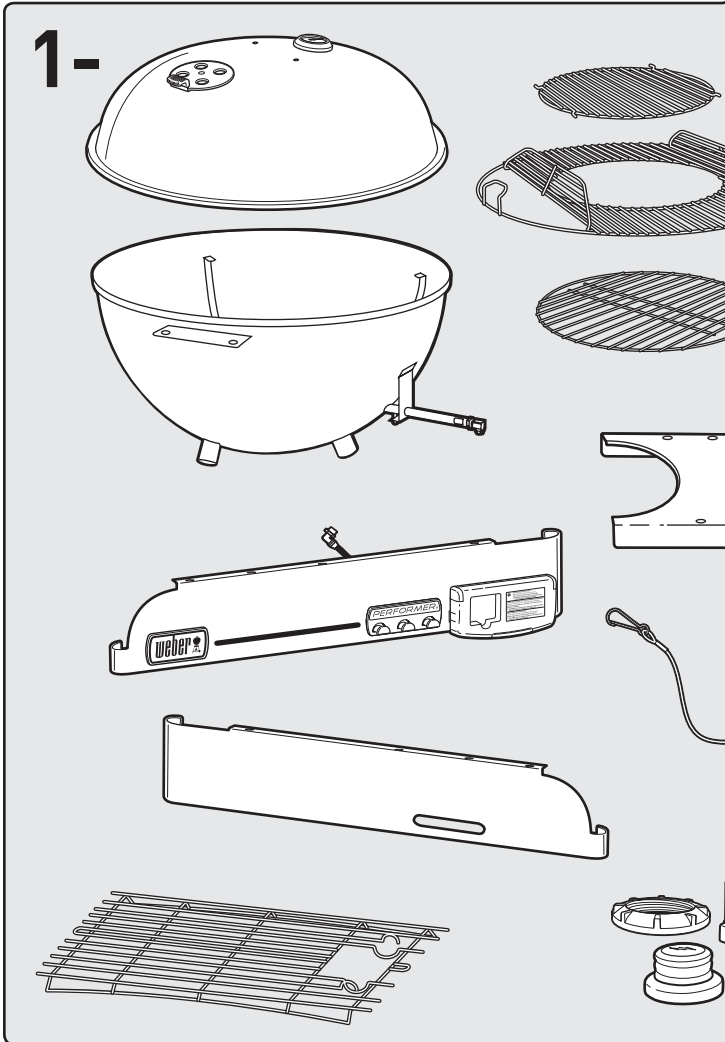
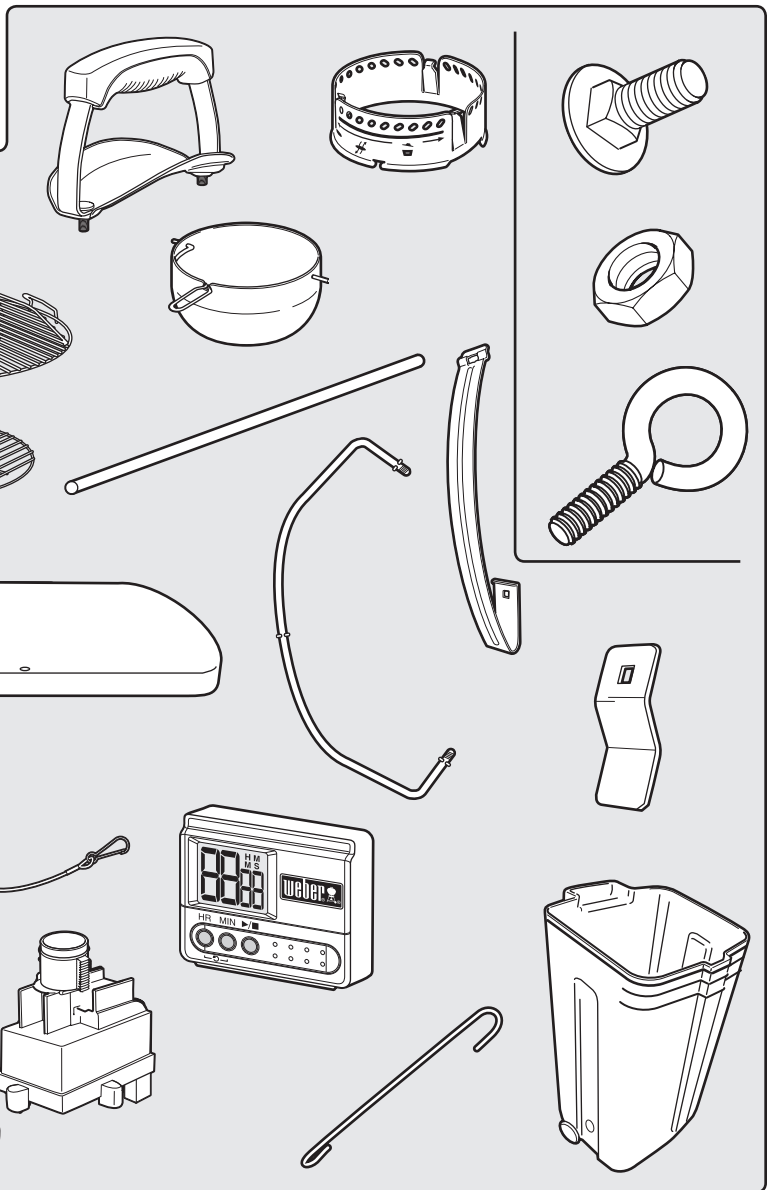
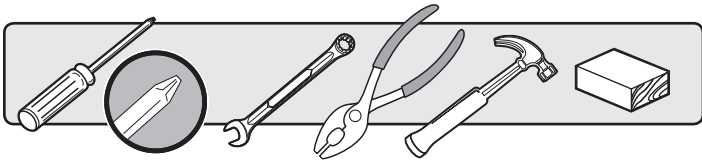
ES/NA

1. Conjunto de la agarradera de la tapa
2. Tapa
3. Rejilla para cocinar GBS™
4. Char-Baskets™
5. Rejilla de carbón
6. Sistema de limpieza One-Touch™
7. Conjunto del sujetador de tapa y soporte inferior Tuck-Away™
8. Anillo de receptor de ceniza
9. Asa del receptor de ceniza
10. Receptor de ceniza de alta capacidad
11. Eje
12. Soporte de estructura de la pata
13. Separador de rueda
14. Tirante del alambre del encendedor
15. Rueda
16. Tapa del buje
17. Cubierta de la rueda
18. Panel frontal
19. Placa de logotipo
20. Sujetador de herramientas
21. Contador de tiempo digital para cocinar
22. Cubierta del control de gas
23. Botón del encendedor / Módulo del encendedor
24. Conjunto del amortiguador de la tapa
25. Conjunto del termómetro
26. Tazón
27. Tabla
28. Cadena de retención CharBin™
29. Conjunto del quemador
30. Manguera y regulador con orificio y clip
31. Panel trasero
32. Estructura de la pata
33. Hardware CharBin™
34. CharBin™
35. Seguro de rueda giratoria
36. Inserto de rueda giratoria
37. Abrazadera del soporte de estructura de la pata
38. Estante inferior
39. Sujetador de fósforos

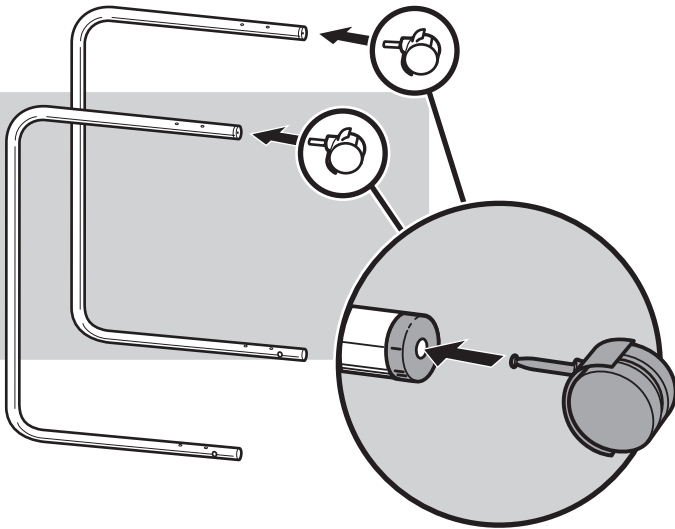
FC

1. Ensemble de poignée du couvercle
2. Couvercle
3. GBS™ Grille de cuisson
4. Char-Baskets™
5. Panier de briquettes
6. Système de nettoyage One-Touch™
7. Ensemble porte couvercle et support inférieur Tuck-Away™
8. Anneau du receveur de cendres
9. Poignée du receveur de cendres
10. Receveur de cendres à haute capacité
11. Essieu
12. Support de barre transversale
13. Cale d'espacement de la roue
14. Passe-fils électrique
15. Roue
16. Clip de fixation
17. Cache-roue
18. Panneau frontal
19. Plaque de logo
20. Porte-ustensiles
21. Minuteur numérique de cuisine
22. Cache du contrôle de gaz
23. Bouton d'allumage/ Module d'allumage
24. Ensemble d'aération du couvercle
25. Thermomètre
26. Bol
27. Table
28. Chaîne de retention du CharBin™
29. Ensemble du brûleur
30. Flexible et régulateur avec orifice et pince
31. Panneau arrière
32. Barre transversale
33. Matériel du CharBin™
34. CharBin™
35. Roulette à frein
36. Support de roulette
37. Pince de support de barre transversale
38. Étagère inférieure
39. Porte-allumette

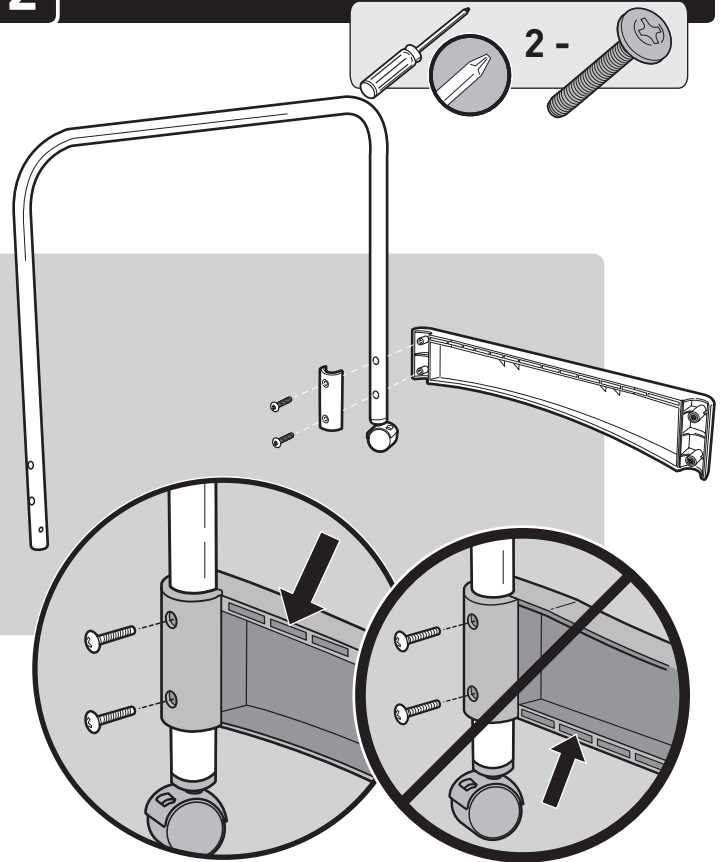
PARTS LIST • LISTA DE PARTES • LISTE DES PIÈCES



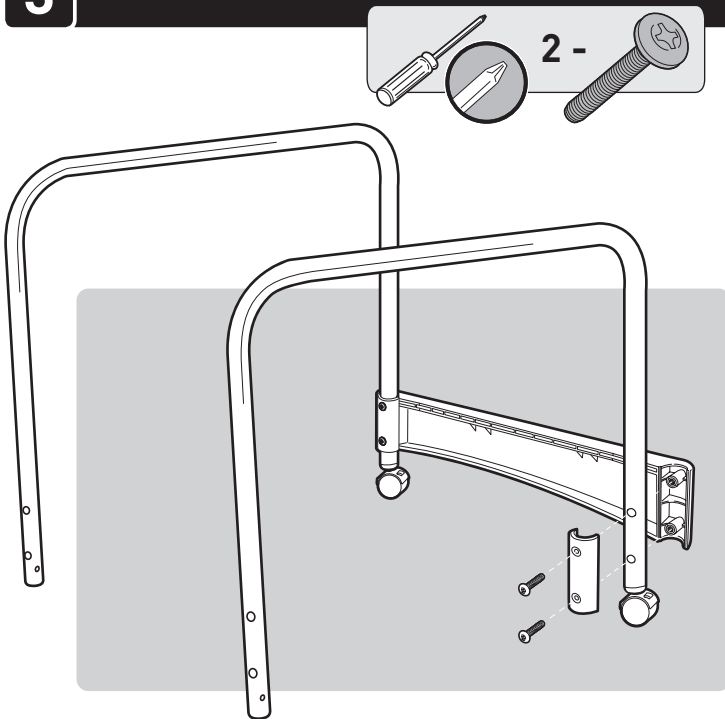
1



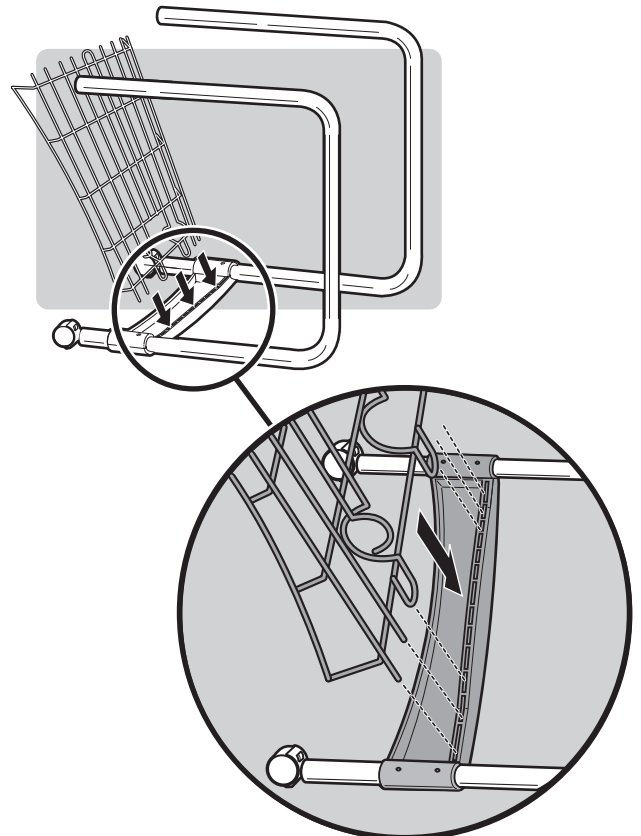
2



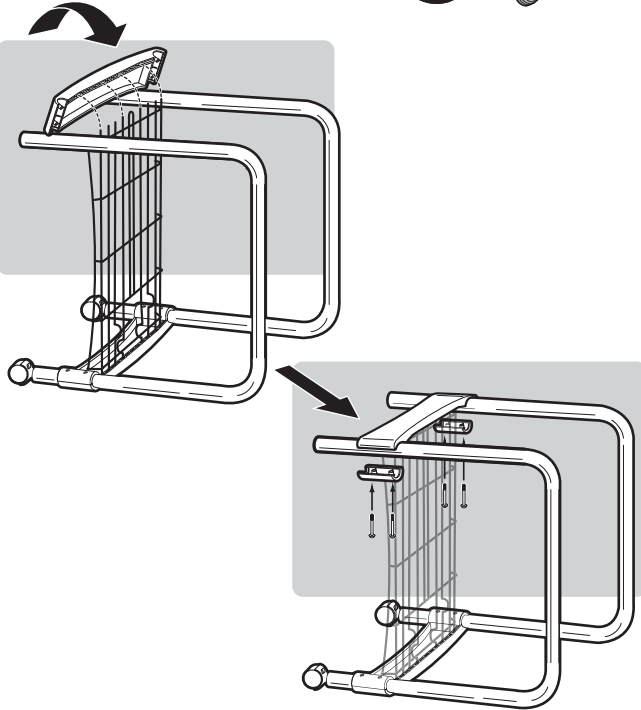
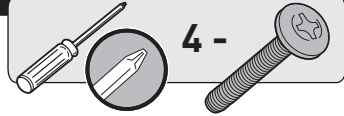
3



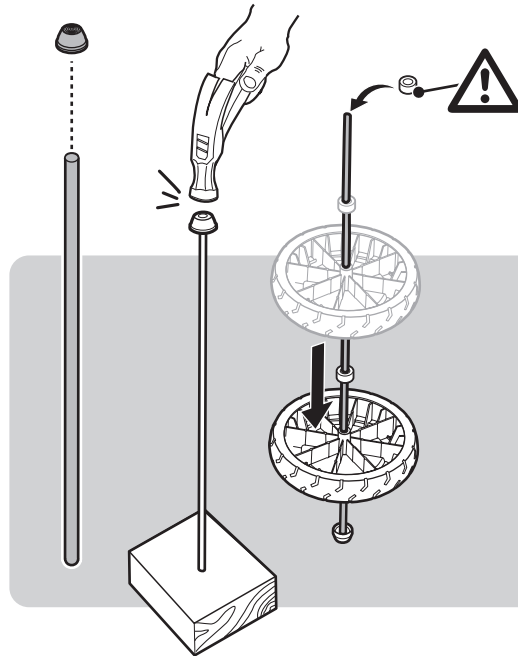
4



5



6



⚠ **IMPORTANT:**
Make sure to insert the wheel spacer before continuing.

ESNA

⚠ **IMPORTANTE:**
Asegúrese de insertar el separador de ruedas antes de continuar.

FC

⚠ **IMPORTANT :**
Mssurez-vous d'avoir inséré la cale d'espacement de la roue avant de continuer.

7



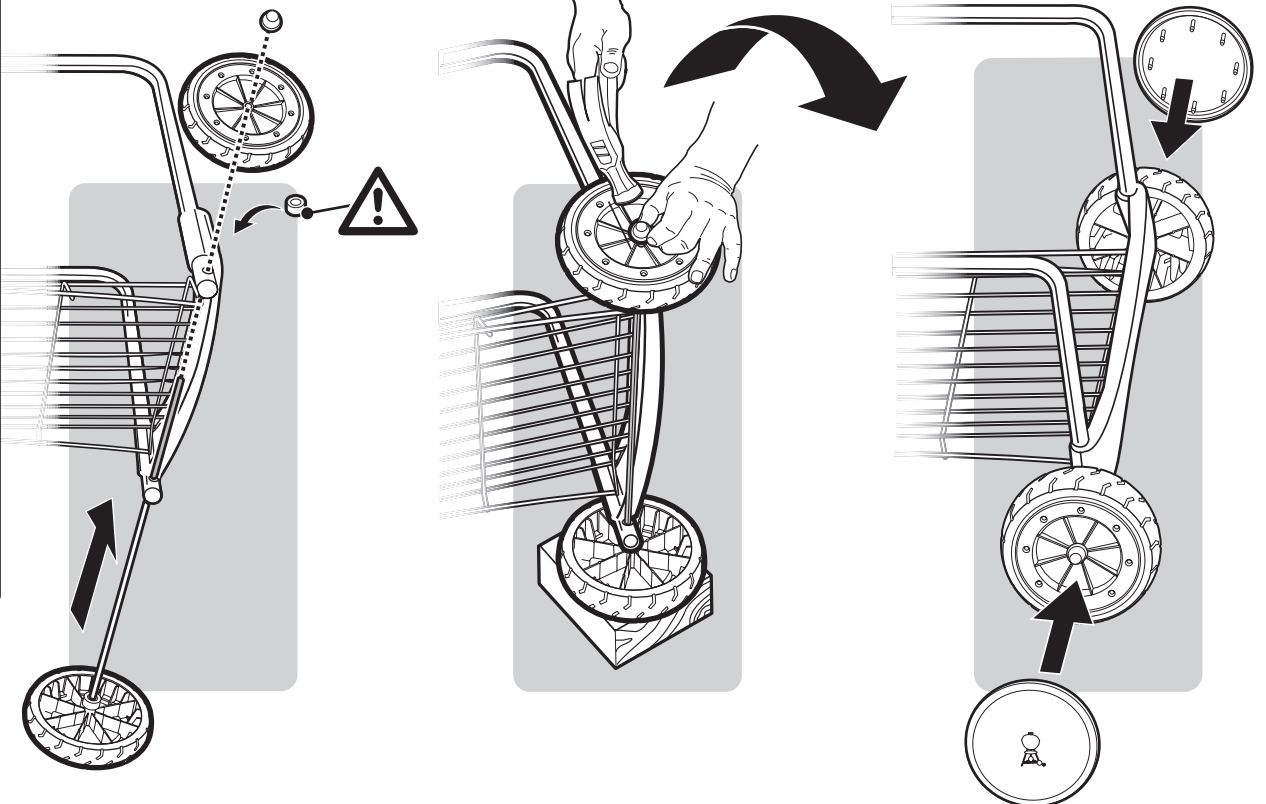
⚠ **IMPORTANT:**
Make sure to insert the wheel spacer before continuing.

ESNA

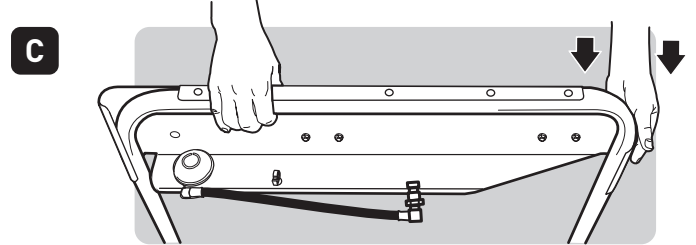
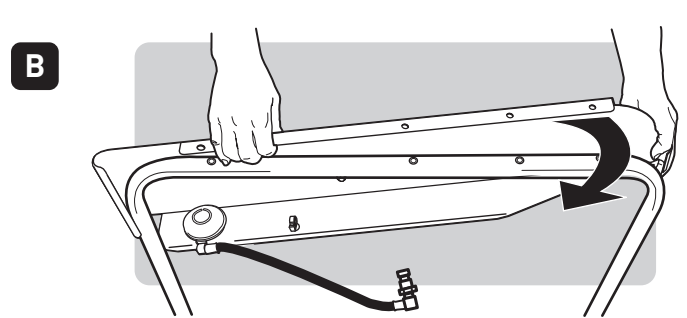
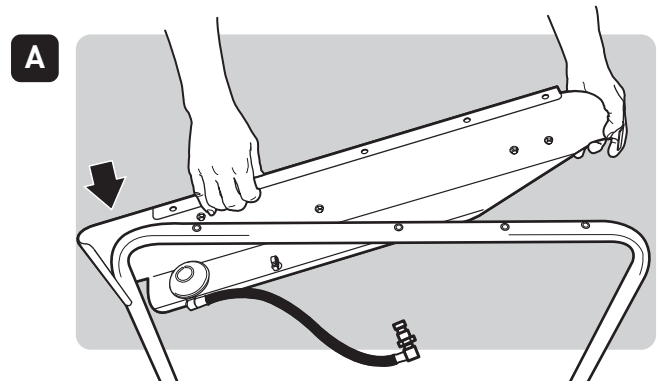
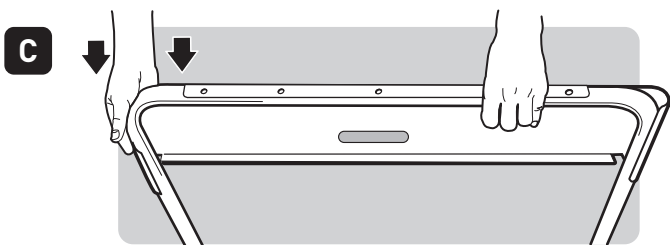
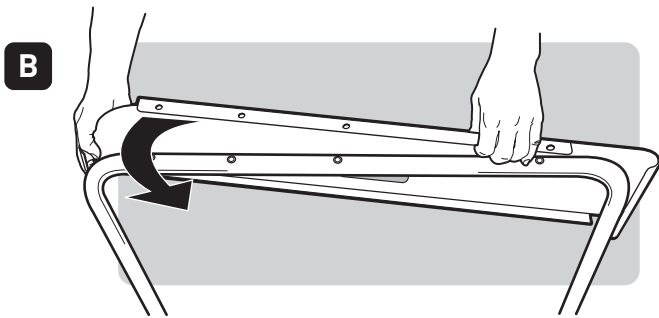
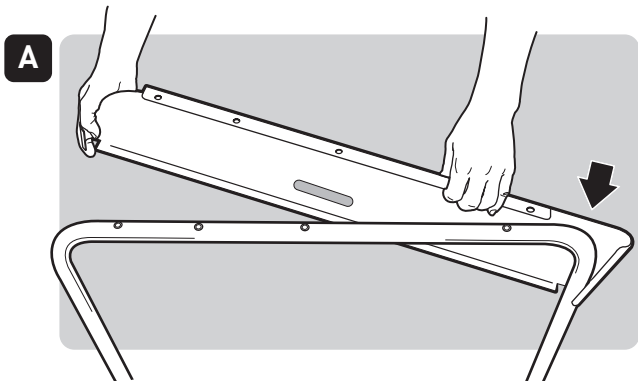
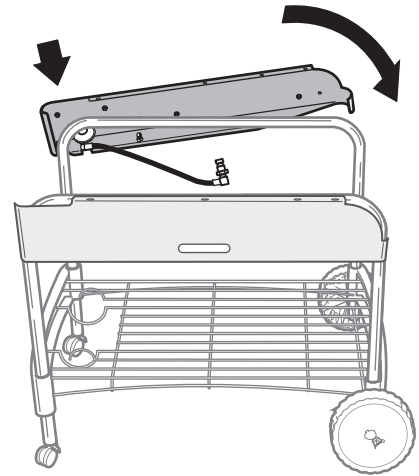
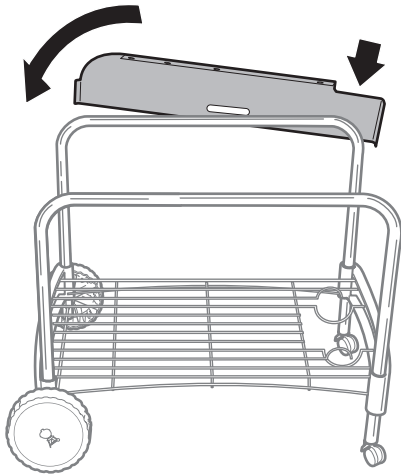
⚠ **IMPORTANTE:**
Asegúrese de insertar el separador de ruedas antes de continuar.

FC

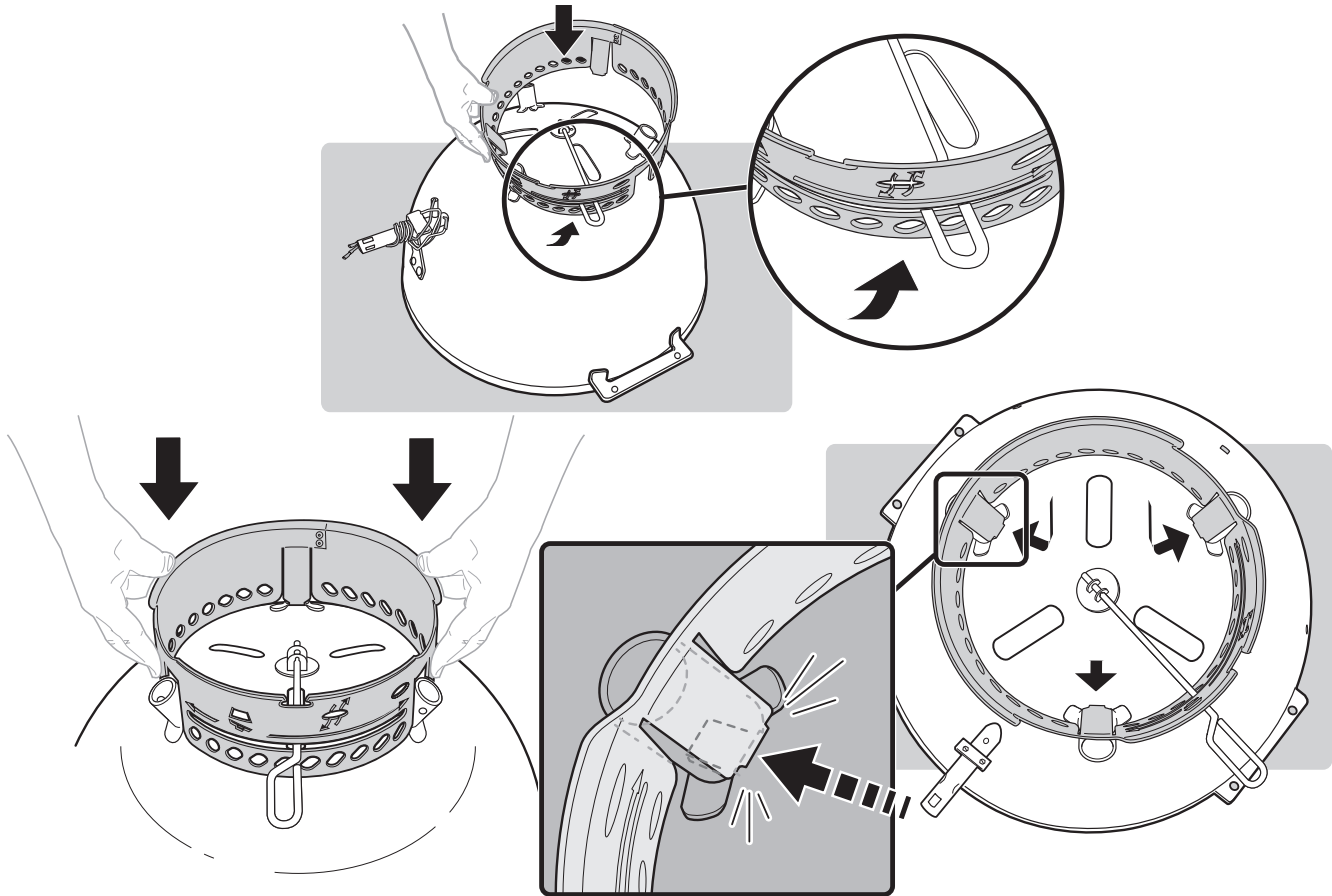
⚠ **IMPORTANT :**
Mssurez-vous d'avoir inséré la cale d'espacement de la roue avant de continuer.



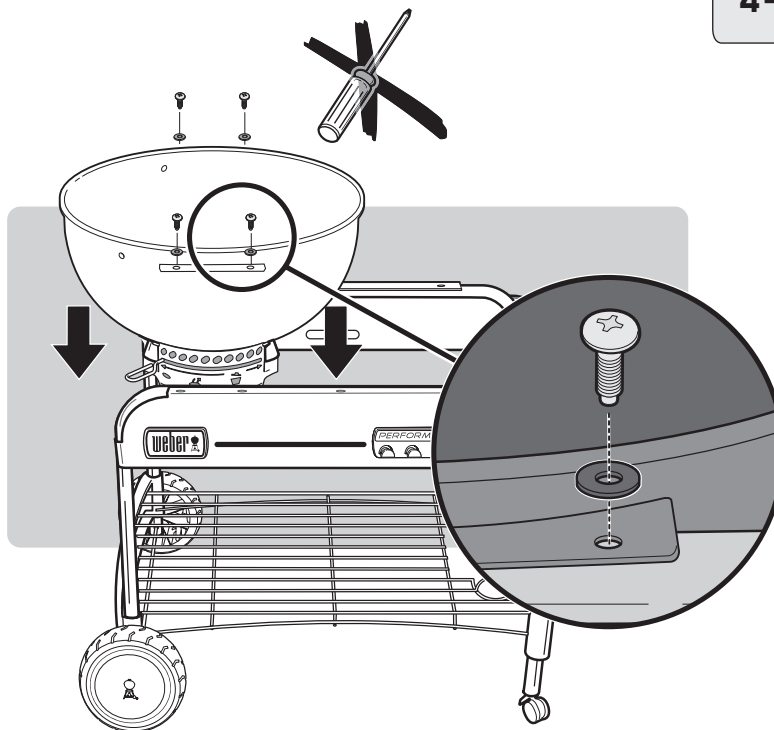
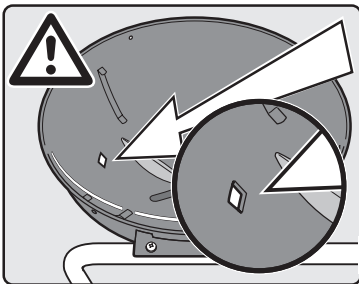
8



9

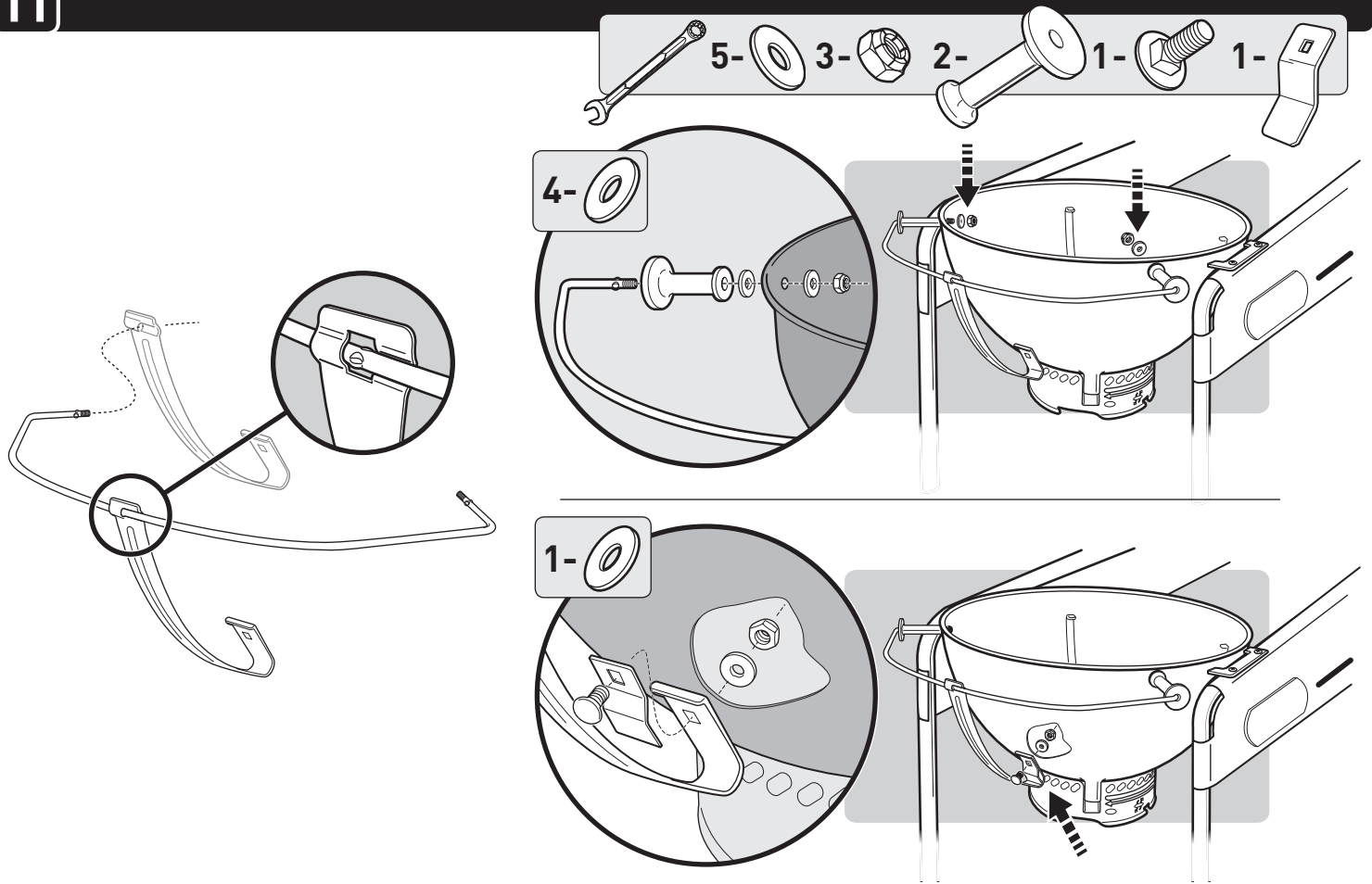


10

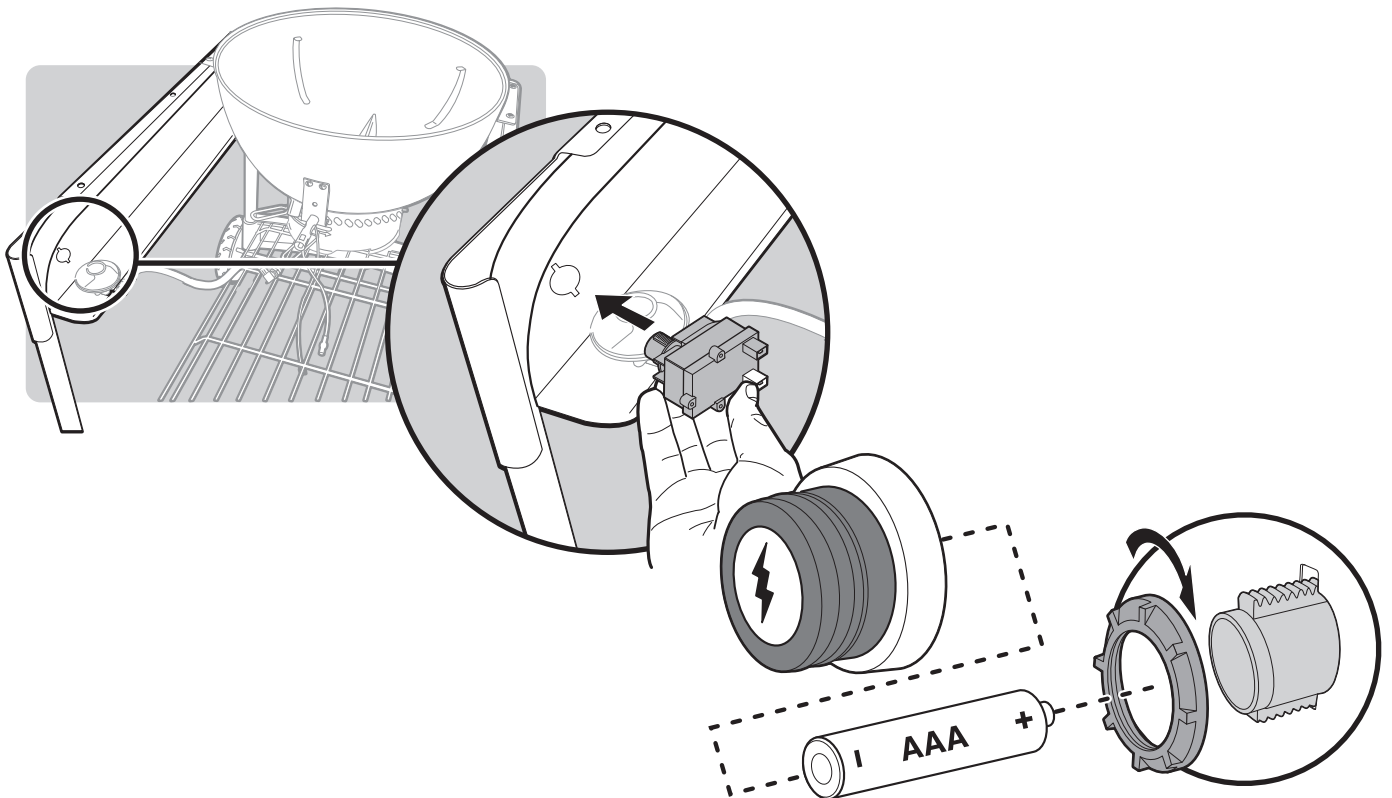


- US** ⚠ **Finger Tighten Only.**
Do not fully tighten any of the screws before both the table and bowl assembly have been installed.
- ES/NA** ⚠ **Apretar a mano solamente.**
No apretar completamente ninguno de los tornillos hasta no haber instalado la mesa y el conjunto de la caba.
- FC** ⚠ **Serrer à la main uniquement.**
Ne serrer totalement aucune des vis avant que la table et l'ensemble de cuve soient installés.

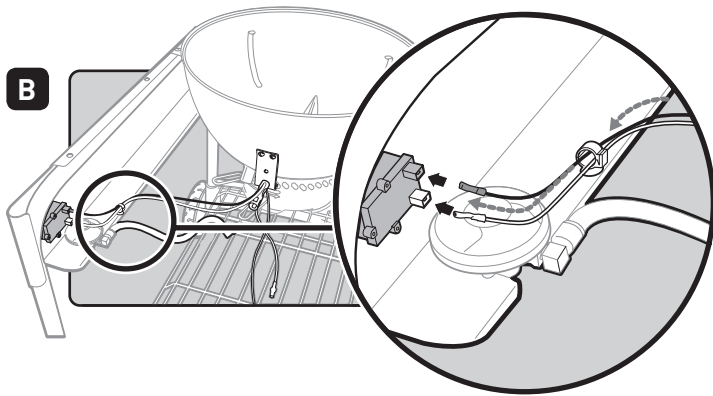
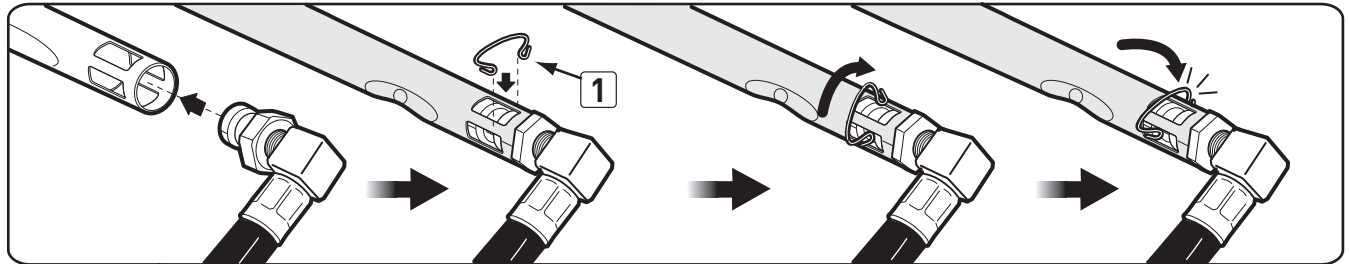
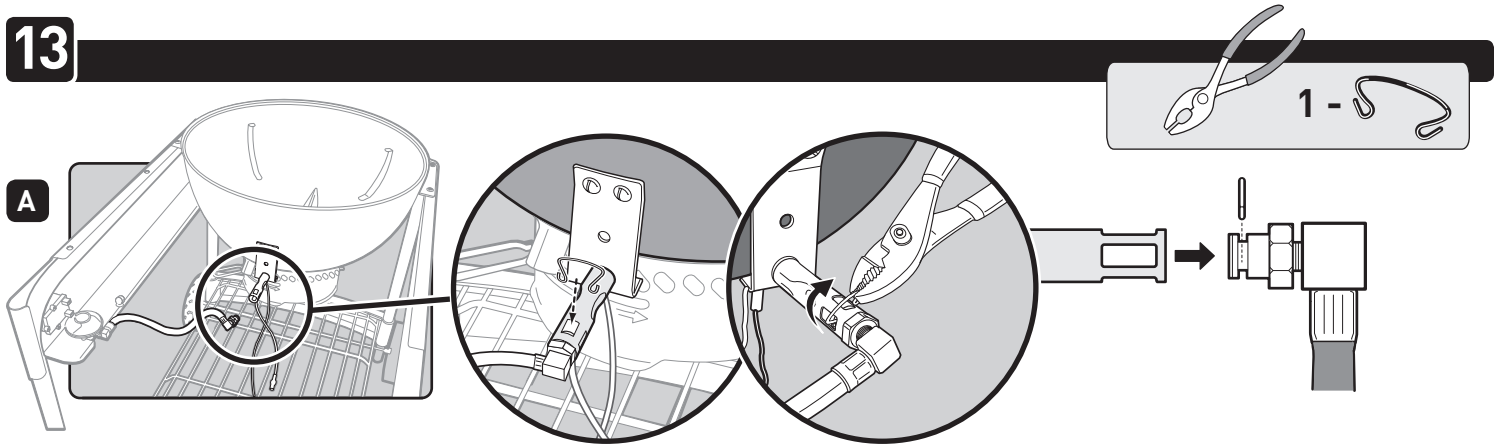
11



12



13



⚠ WARNING

Prior to use, pull the gas hose and orifice to make sure that the retaining clip is in place and that the gas hose and orifice is securely attached inside the burner tube.

A missing retaining clip can cause the gas hose and orifice to move out of the burner tube. This can cause a fire resulting in serious bodily injury or death and damage to property.

⚠ DANGER

Do not use the gas ignition feature if the retaining clip (1) securing the gas line and orifice into the burner tube is missing.

A missing retaining clip can cause the gas hose and orifice to move out of the burner tube. This can cause a fire resulting in serious bodily injury or death and damage to property.

⚠ ADVERTENCIA

Antes de utilizarse, hale la manguera de gas y el orificio para asegurarse de que el clip de retención esté en su lugar y el orificio esté bien sujeto dentro del tubo quemador.

Un clip de retención faltante puede ocasionar que la manguera de gas y el orificio se salgan del tubo quemador. Esto podría resultar en un incendio causante de heridas corporales graves y daños materiales.

⚠ PELIGRO

No utilice la función de encendido del gas si faltase el clip de retención (1) que sujeta la línea de gas y el orificio dentro del quemador de gas.

Un clip de retención faltante puede ocasionar que la manguera de gas y el orificio se salgan del tubo quemador. Esto podría resultar en un incendio causante de heridas corporales graves y daños materiales.

⚠ MISE EN GARDE

Avant utilisation, tirez sur le tuyau de gaz et sur l'orifice pour vous assurer que la pince de retenue est en place et que le tuyau de gaz et l'orifice sont solidement fixés à l'intérieur du tube du brûleur.

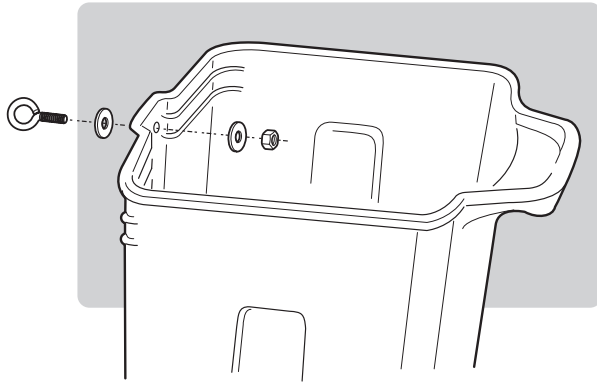
Une pince de retenue manquante peut provoquer la sortie du tuyau de gaz et de l'orifice hors du tube du brûleur. Ceci peut provoquer un incendie avec pour conséquence des blessures graves ou un décès ainsi que des dégâts matériels.

⚠ DANGER

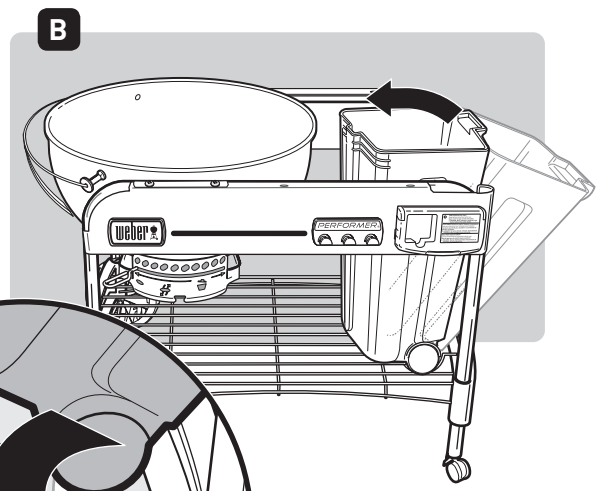
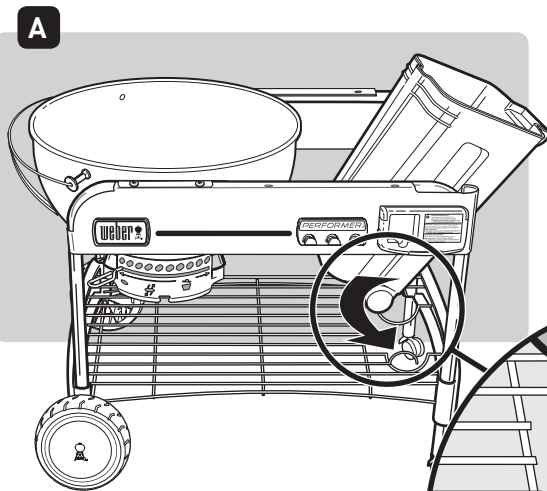
N'utilisez pas la fonction d'allumage du gaz si la pince de retenue (1) qui fixe la conduite de gaz et l'orifice à l'intérieur du tube du brûleur est manquante.

Une pince de retenue manquante peut provoquer la sortie du tuyau de gaz et de l'orifice à l'extérieur du tube du brûleur. Ceci peut provoquer un incendie avec pour conséquence des blessures graves ou un décès ainsi que des dégâts matériels.

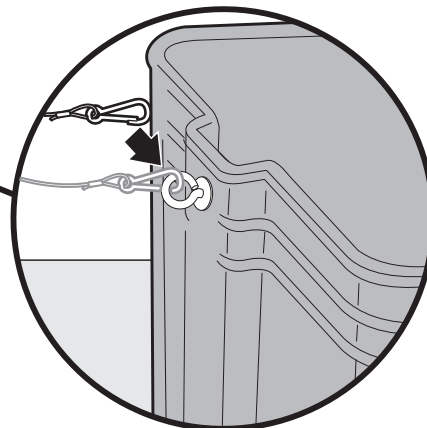
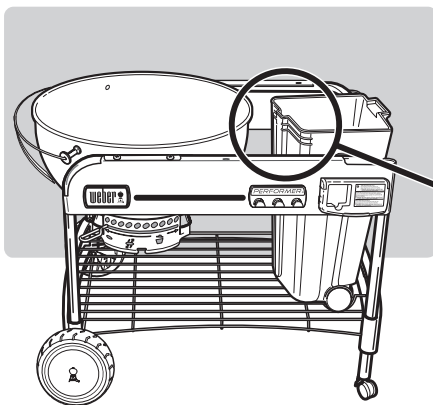
14



15

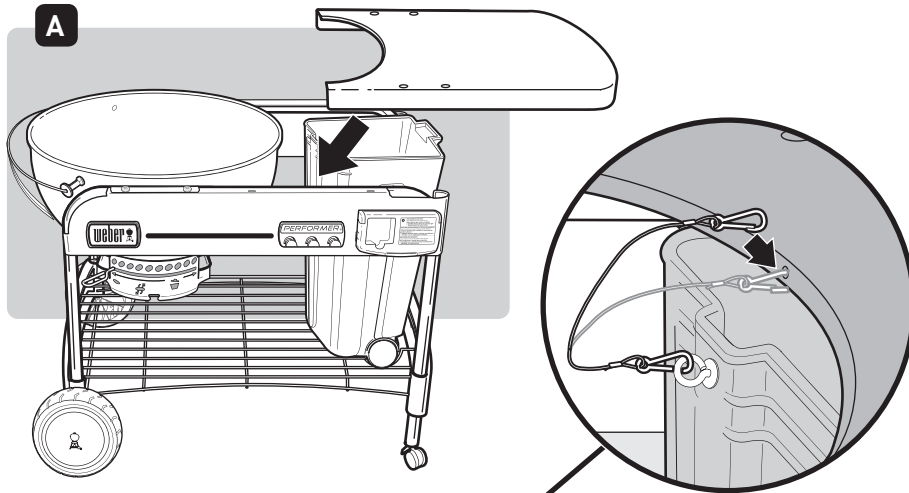


16

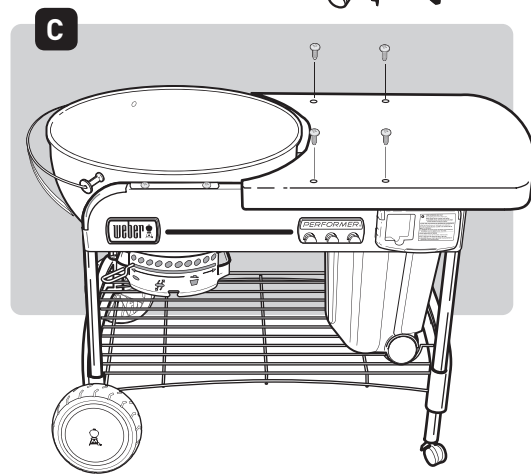
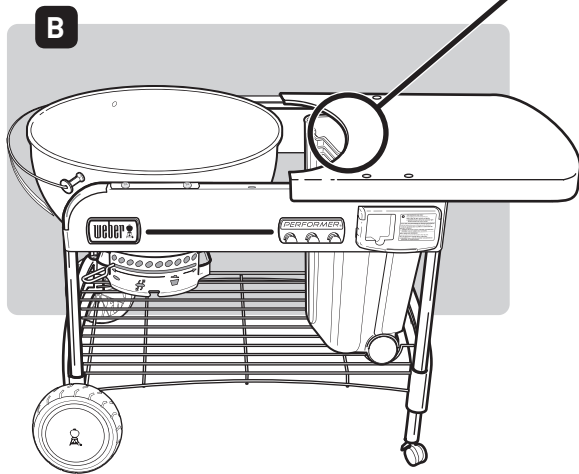


17

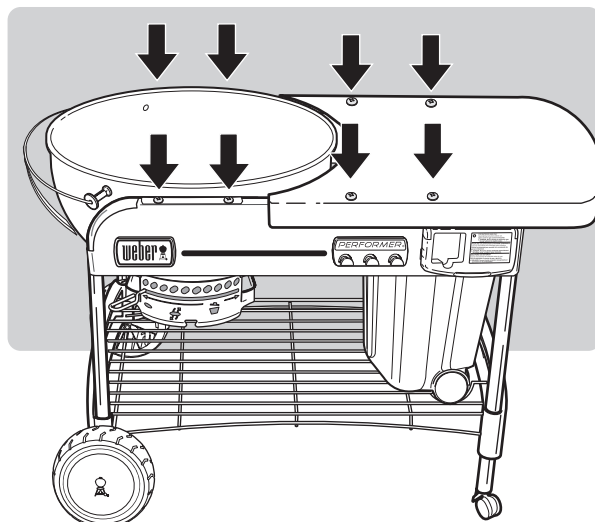
4 -



- US ▲ Finger Tighten Only.
- ESNA ▲ Apretar a mano solamente.
- FC ▲ Serrer à la main uniquement.



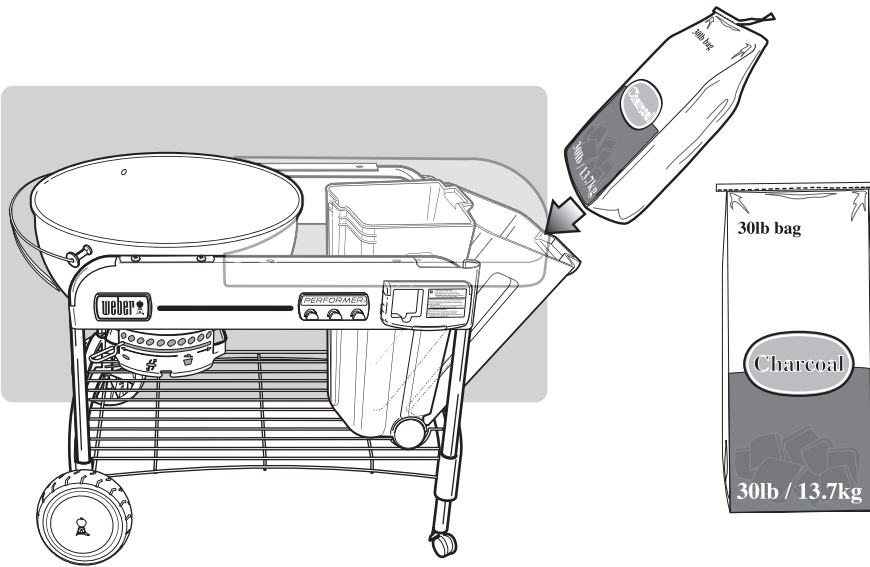
18



- US Fully tighten all eight screws
- ESNA Apretar del todo del ocho tornillos.
- FC Serrer complètement les huit vis.



19

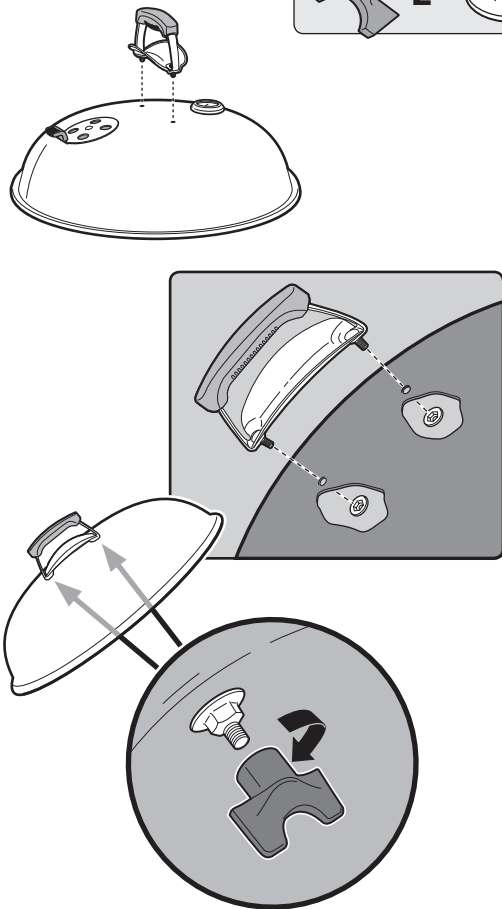


US ⚠ Máximo una bolsa de 30 lbs. / 13.7 kg. de carbón vegetal. La bolsa de carbón vegetal debe colocarse directamente en el recipiente de almacenaje CharBin™.

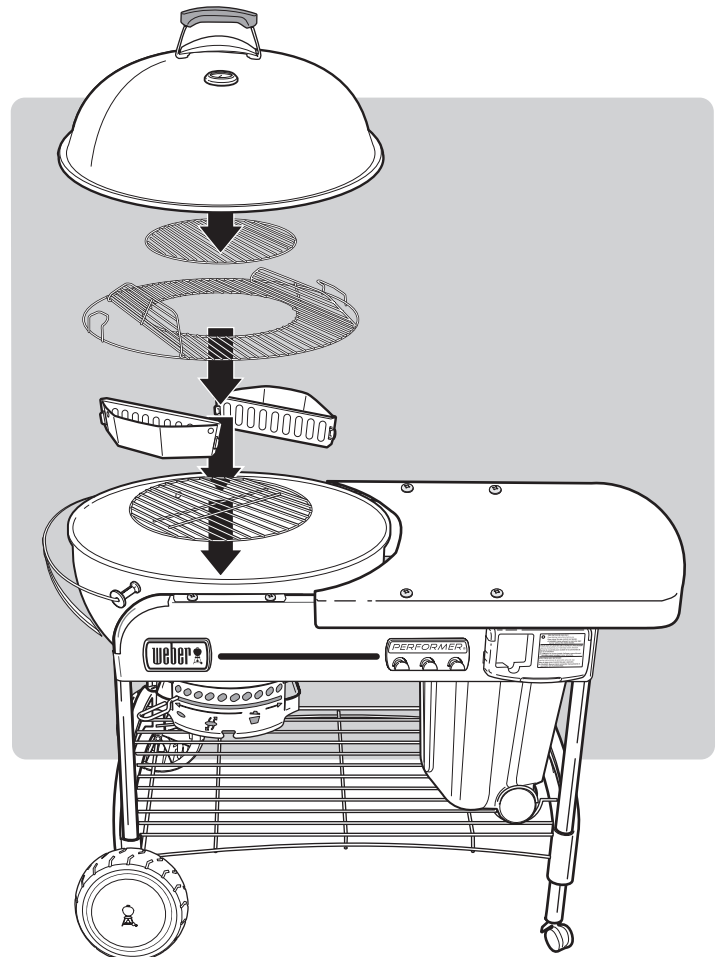
ESNA ⚠ Maximum 30 lb. / 13.7 kg. bag of charcoal. The bag of charcoal should be placed directly in the CharBin™ Storage Container.

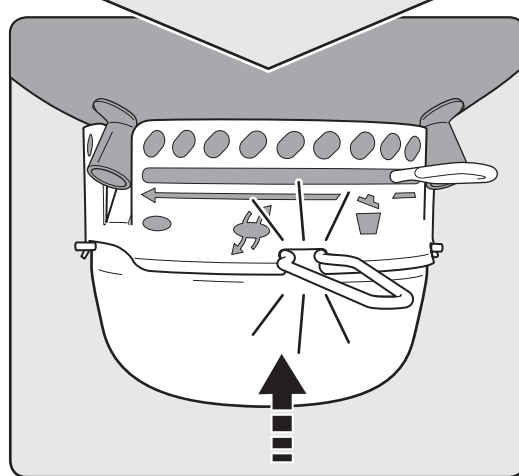
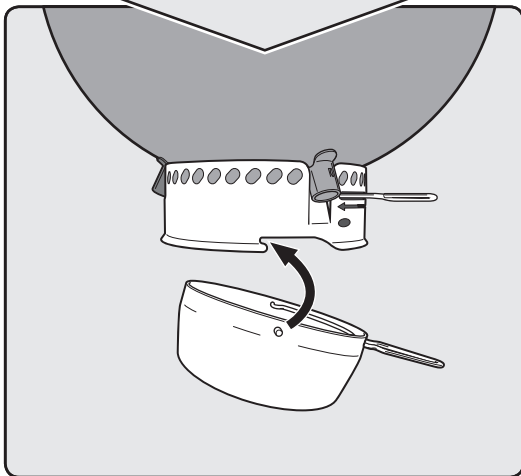
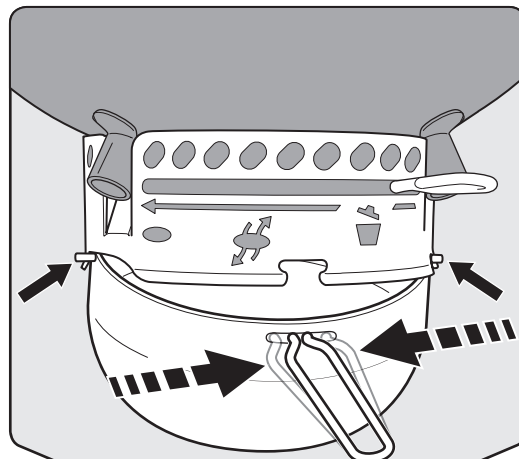
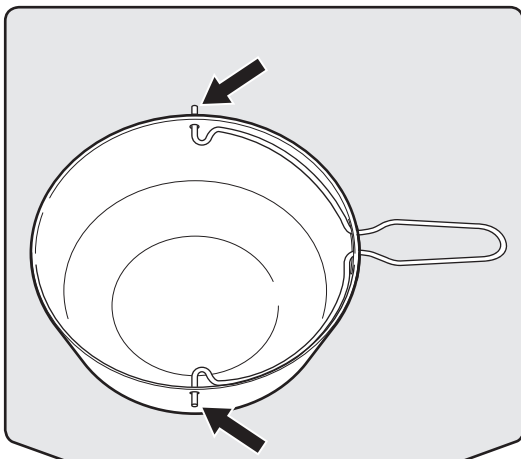
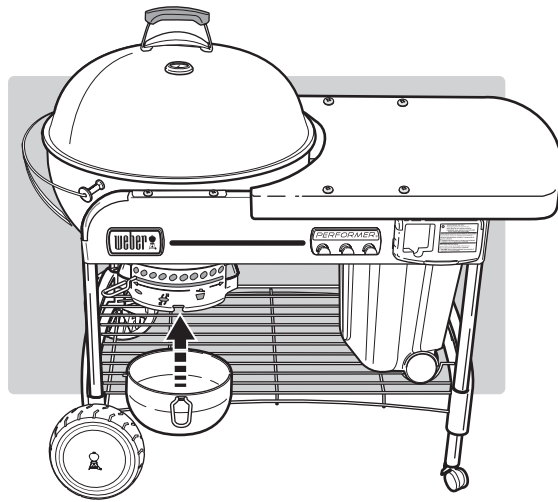
FC ⚠ Sac de charbon de bois 30 lbs. / 13,7 kg. maximum. Le sac de charbon de bois devrait être placé directement dans le Conteneur de stockage CharBin™.

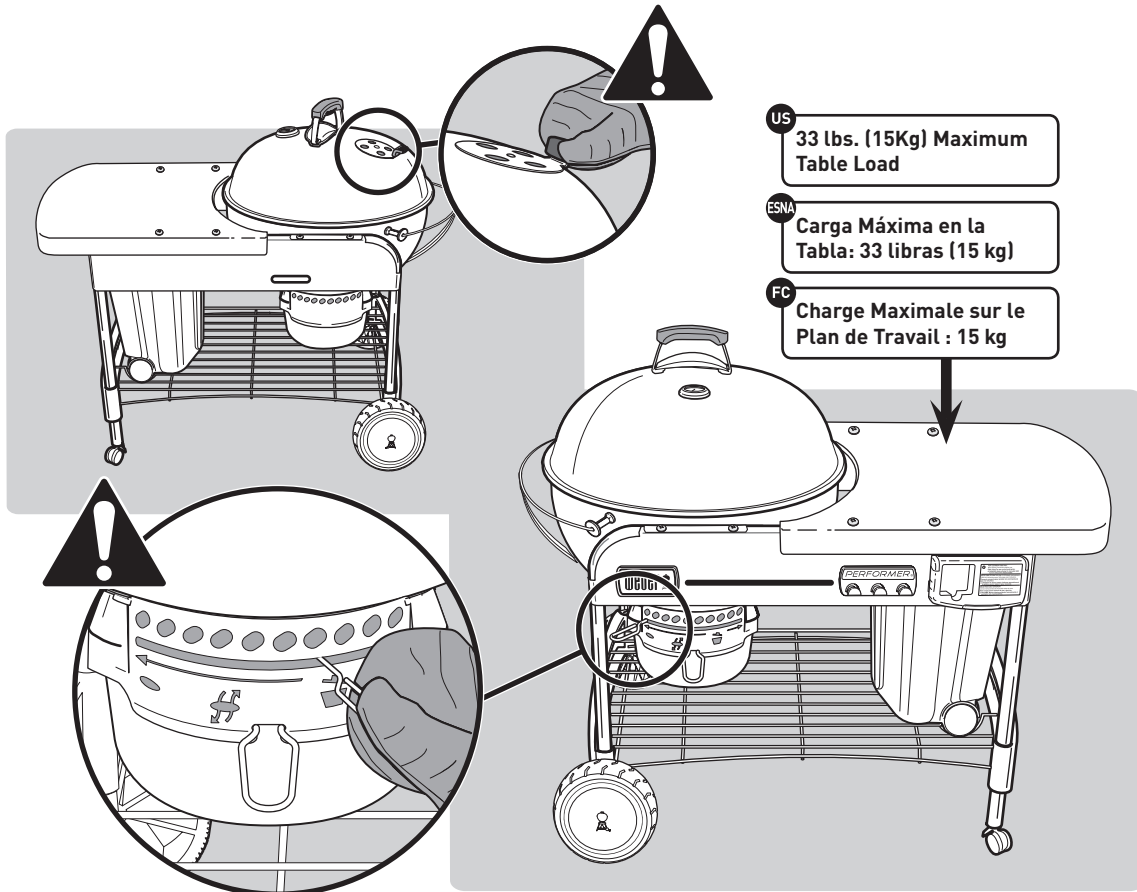
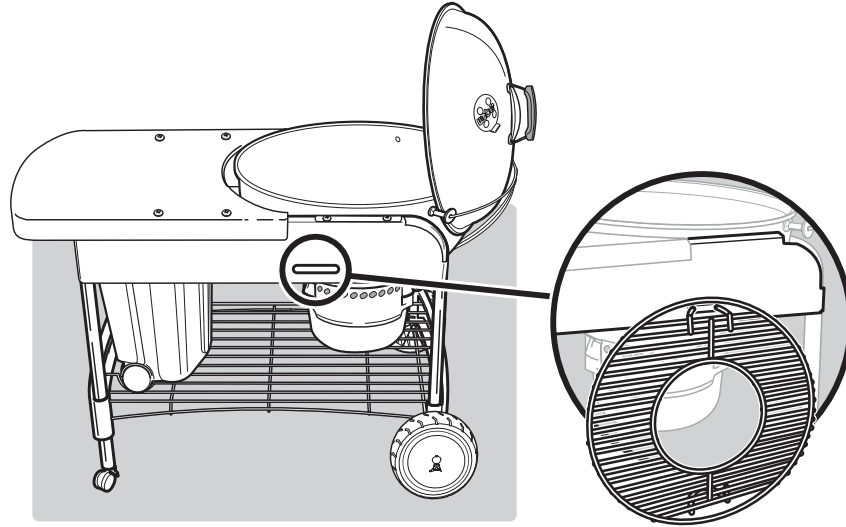
20



21







GENERAL INSTRUCTIONS

- These instructions will give you the minimum requirements for assembling your Weber® gas barbecue. Please read the instructions carefully before using your Weber® gas barbecue. Improper assembly can be dangerous.
- Not for use by children.
- The installation must conform with local codes or, in the absence of local codes, with the National Fuel Gas Code, ANSI Z223.1/NFPA 54, Storage and Handling of Liquefied Petroleum Gases, ANSI/NFPA 58; or CSA B149.1, Natural Gas and Propane Installation Code.
- The pressure regulator supplied with the Weber® gas barbecue must be used. This regulator is set for 11 inches of water column (pressure).
- This Weber® gas barbecue is designed for use with liquid propane (LP) gas only. Do not use with natural (piped in city) gas. The valves, orifices, hose and regulator are for LP gas only.
- This appliance is not intended for commercial use.
- The areas around the LP cylinder must be free and clear from debris.
- Replacement pressure regulators and hose assemblies must be those specified by the outdoor cooking gas appliance manufacturer.
- Place dust caps on cylinder valve outlets when cylinder is not in use.
- Disconnect the cylinder if: 1) it is empty; 2) the grill is being stored in a garage or other enclosed area; 3) the grill is being transported; 4) the grill is not in use.

- ⚠ **Do not move the appliance during use. Allow the grill to cool before moving.**
- ⚠ **This appliance is not intended for and should never be used as a heater.**
- ⚠ **When cooking, the appliance must be on a level, stable surface in an area clear of combustible material.**

IMPORTANT CYLINDER INFORMATION

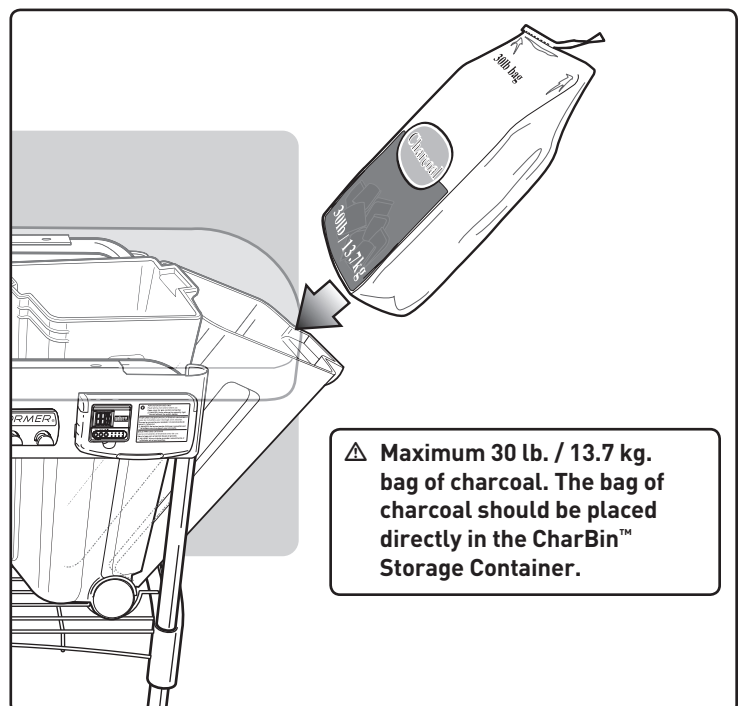
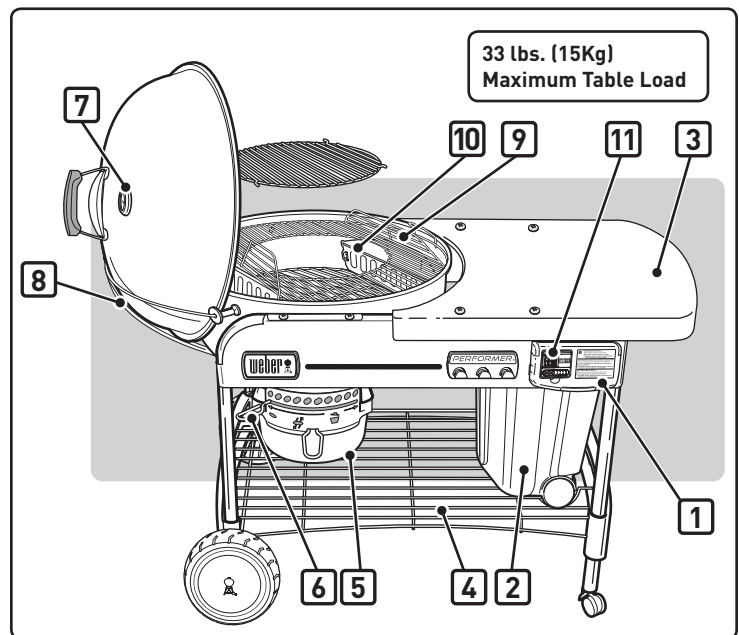
- ⚠ **NEVER store a spare LP Cylinder under or near this barbecue.**

Note: Your Weber® gas grill is equipped for a cylinder supply system designed for vapor withdrawal.

- The LP-gas supply cylinder to be used must be constructed and marked in accordance with the specifications for LP - gas cylinders of the U.S. Department of Transportation (D.O.T.) or the National Standard of Canada, CAN/CSA-B339, Cylinders, Spheres and Tubes for the Transportation of Dangerous Goods.

FEATURES:

- A) Exclusive Touch-N-Go™ gas ignition system takes the hassle out of lighting charcoal briquets **(1)**. Simply push and hold button and the system's gas burner ignites, starting the charcoal for you. No dangerous liquid starters to use or store, and no more liquid starter aftertaste.
- B) CharBin™ storage container holds a bag of charcoal with a maximum weight of 30 lbs./13.7 kg **(2)**. The bag of charcoal should be placed directly in the CharBin™ storage container.
- C) Metal work surface serves as a great work area and covers the CharBin™ storage container to keep briquets dry **(3)**.
- D) Convenient bottom rack for storage **(4)**.
- E) High-capacity ash catcher locks in place, eliminating blowing ashes **(5)**.
- F) One-Touch™ cleaning system easily sweeps out ashes, or opens and closes the vents **(6)**.
- G) Thermometer monitors the cooking temperature inside the grill **(7)**.
- H) Tuck-Away™ lid slides back into the stainless steel lid holder and acts as a windshield when lighting briquets **(8)**.
- I) The Weber Original™ Gourmet BBQ System™ (GBS™) hinged cooking grate **(9)**, hinged access flaps swing open on cooking grate for easy addition of briquets or wood chips during cooking. Includes insert for everyday use. Fits full line of Gourmet BBQ System™ accessories.
- J) Char-Basket™ charcoal fuel holders allow convenient indirect and concentrated direct cooking flexibility with wood or charcoal **(10)**.
- K) Digital Cook Timer **(11)**.



GAS INSTRUCTIONS

ATTACH PROPANE CYLINDER

Use disposable propane cylinders with a capacity of either 14.1 oz. or 16.4 oz. equipped with a CGA #600 connection.

⚠ CAUTION: Use cylinders that are marked "Propane fuel" only.

Push propane cylinder into regulator and turn clockwise until tight.

⚠ WARNING: Hand tighten only. Using excessive force could damage the regulator coupling and could cause a leak.

CHECK FOR GAS LEAKS

⚠ DANGER

Do not use an open flame to check for gas leaks. Be sure there are no sparks or open flames in the area while you check for leaks. Sparks or flames will result in a fire or explosion which can cause serious bodily injury or death, and damage to property.

A) Regulator to propane cylinder connection.

⚠ WARNING: If there is a leak at connection (1), remove propane cylinder by turning counterclockwise. Do not operate grill. Use a different propane cylinder and recheck for leaks with soap and water solution. If a leak persists after retightening the propane cylinder, turn OFF the gas. DO NOT OPERATE THE GRILL. Contact the Customer Service Representative in your area using the contact information on our web site. Log onto www.weber.com.

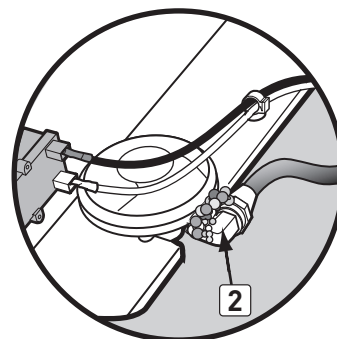
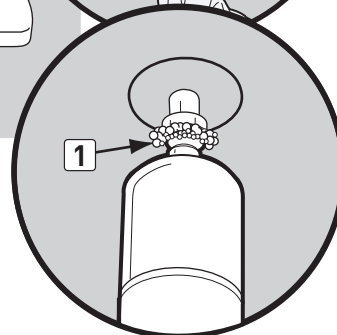
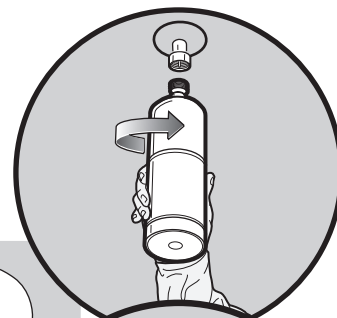
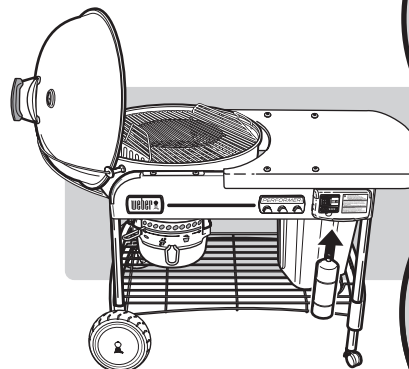
B) Regulator-to-hose connections.

⚠ WARNING: If there is a leak at connection (2) turn OFF the gas. DO NOT OPERATE THE GRILL. Contact the Customer Service Representative in your area using the contact information on our web site. Log onto www.weber.com.

When leak checks are complete, turn gas supply OFF at the source and rinse connections with water.

⚠ DANGER

Do not store a spare LP-gas cylinder under or near this appliance.



OPERATING

LIGHTING

⚠ DANGER

Open lid before lighting. Do not use any flammable liquids such as starting fluid, gasoline, alcohol or any form of self-lighting charcoal at any time, including when manually lighting. Failure to do so will cause serious bodily injury or death.

A) Remove grill lid before operating gas feature.

⚠ **DANGER: Failure to do so can cause a gas build-up that can cause a fire or explosion which can cause serious bodily injury or death, or damage to property.**

B) Open bottom bowl dampers (1).

C) Position Char-Baskets™ over burner (2).

D) Push in tabs on gas control cover (3) and lift to open.

E) Turn gas supply on (counter-clockwise) at least one full turn (4).

⚠ **WARNING: Do not lean over open barbecue while lighting.**

F) Push and hold igniter button until burner ignites (5).

⚠ **CAUTION: Flame may be hard to see on a bright day.**

G) After charcoal has ignited (approximately 5 minutes), turn gas control knob OFF (clockwise) until it is closed.

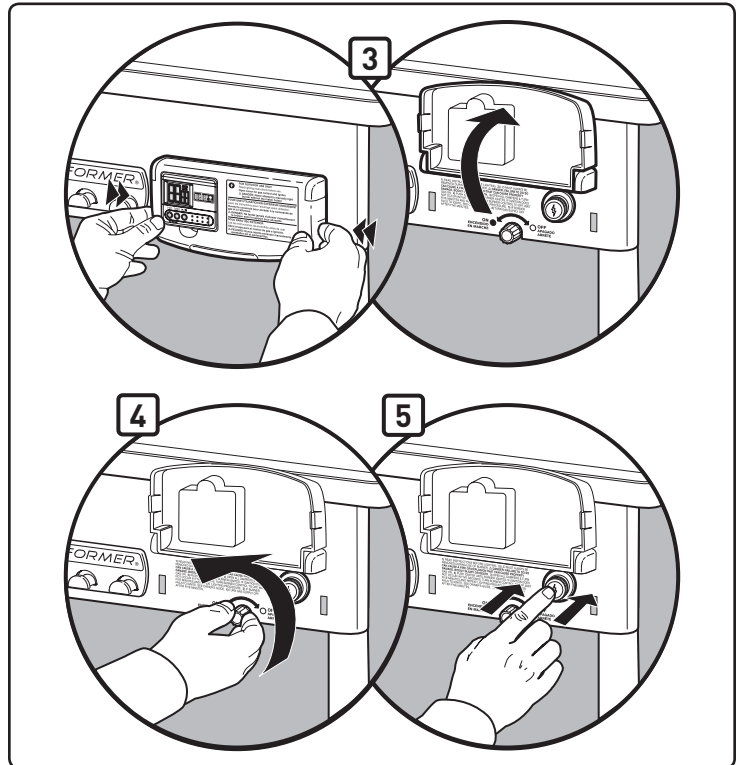
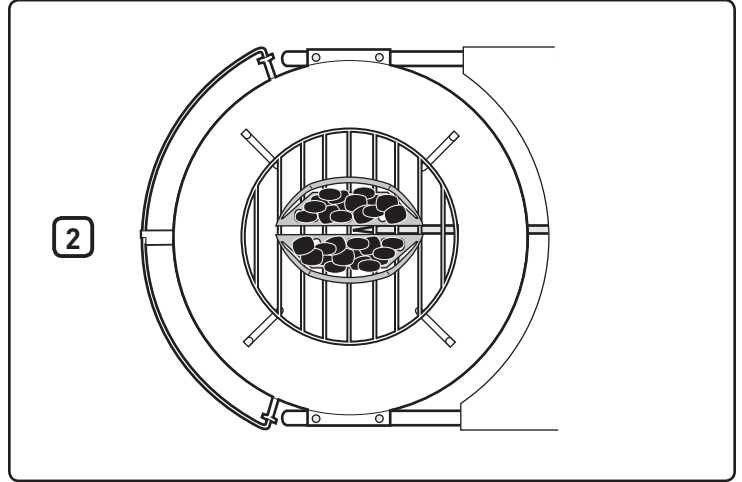
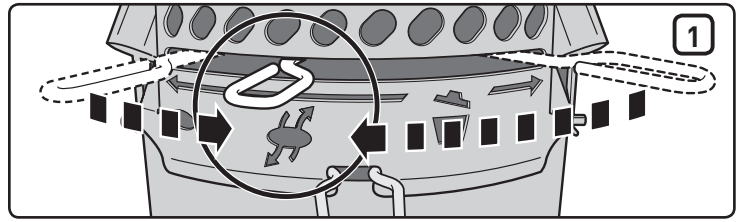
⚠ **CAUTION: Ensure cover is closed completely.**

Note - Prolonged tank run time lessens tank life.

H) You can begin cooking when briquets have a light coating of grey ash (approximately 25-30 minutes).

TO EXTINGUISH

Turn gas control knob OFF (clockwise) until it is closed.



OPERATING

MANUAL LIGHTING

⚠ **WARNING:** Do not attempt to light manually without using the match holder.

⚠ DANGER

Open lid before lighting. Do not use any flammable liquids such as starting fluid, petrol, alcohol or any form of self-lighting charcoal at any time, including when manually lighting. Failure to do so will cause serious bodily injury or death.

A) Remove grill lid before operating gas feature.

⚠ **DANGER:** Failure to do so can cause a gas build-up that can cause a fire or explosion which can cause serious bodily injury or death, or damage to property.

B) Open bottom bowl dampers (1).

C) Move Char-Baskets™ away from the burner (2).

D) Push in tabs on gas control cover (3) and lift to open.

E) Put a match in the match holder. Light match.

F) Turn gas supply on (counter-clockwise) at least one full turn (4).

G) Position match flame at rear of burner slot (5).

⚠ **WARNING:** Do not hold hand directly above burner when manually lighting.

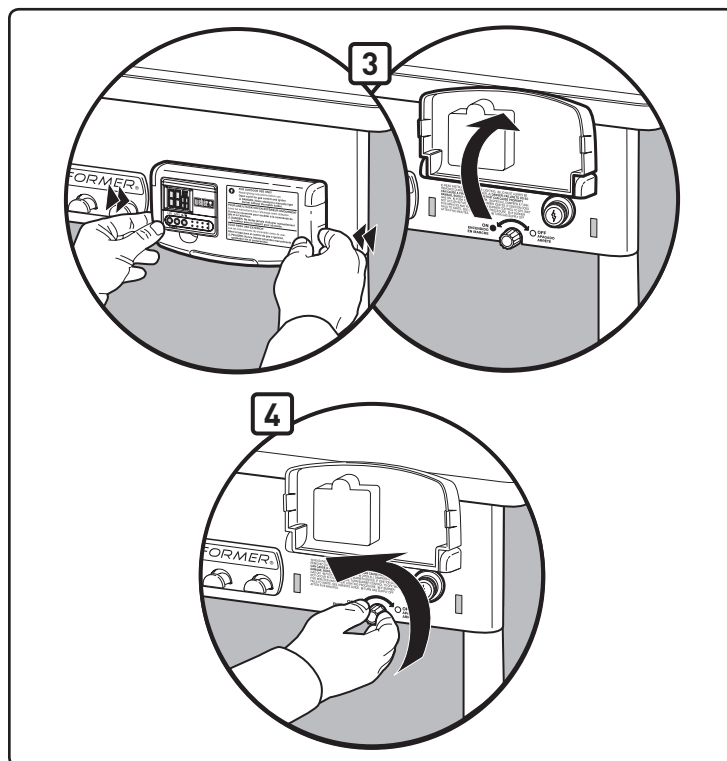
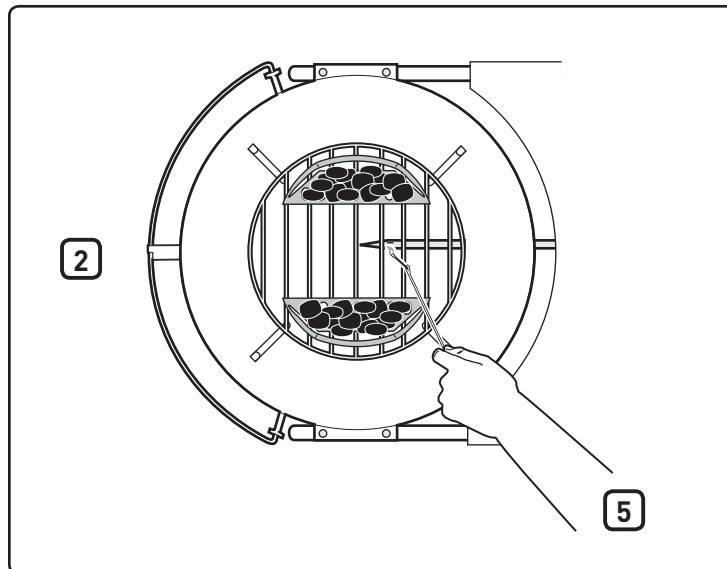
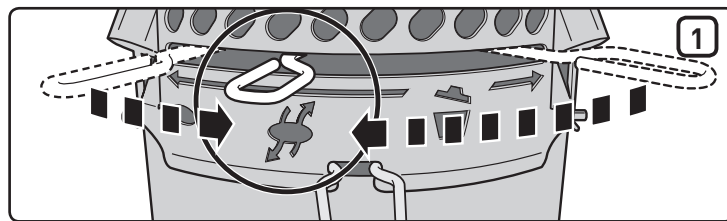
⚠ **WARNING:** Do not lean over open barbecue while lighting.

⚠ **CAUTION:** Flame may be hard to see on a bright day.

H) Wear barbecue mitts and use tongs to reposition Char-Baskets™ over burner.

I) After charcoal has ignited (approximately 5 minutes), turn gas control OFF (clockwise) until it is closed.

J) You can begin cooking when briquets have a light coating of grey ash (approximately 25-30 minutes).



TO EXTINGUISH

Turn gas control knob OFF (clockwise) until it is closed.

OPERATING

TIMER OPERATION

This water-resistant digital cook timer provides both countup and countdown features in hours, minutes, and seconds.

To set the time to countdown:

- Press the **Start / Stop**: ► / ■ button to turn on the backlight.
- Press the **HR** button (1) to set the number of hours. Hold the button down to fast forward digits (maximum setting: 99 hours) (4).
- Press the **MIN** button (2) to set the number of minutes. Hold the button down to fast forward digits (maximum setting: 59 minutes) (5).
- When the time is set, press the **Start / Stop**: ► / ■ button (3) to start the countdown.
- When the time is up, the alarm will sound for 30 seconds and automatically restart countdown from previous time setting.

IMPORTANT

When the timer has over an hour left on the countdown, H and M (Hours and Minutes) will flash on and off; numbers will countdown every minute. When the timer has less than an hour of time left, H and M turn to M and S (Minutes and Seconds) and the seconds countdown; numbers will start to countdown every second.

To clear the time:

- Press the **Start / Stop**: ► / ■ button to turn on the backlight.
- Press the **HR** and **MIN**: ◂ buttons simultaneously (1)(2).

To set the time to countup:

- Press the **Start / Stop**: ► / ■ button to turn on the backlight.
- Press the **Start / Stop**: ► / ■ button again to start countup. While counting up, display will show the reading in hour/minute and minute/second formats.
- Press the **Start / Stop**: ► / ■ button twice to stop timer. The countup will stop after 99 hours (4), 59 minutes (5).

Automatic shut off:

- To save battery life, the backlight turns off after 10 seconds. The timer will turn completely off after 10 minutes of inactivity.

Note: If using the timer in an environment that subjects it to electrostatic discharge (static electricity) the time setting may be lost. If this happens, reset the timer.

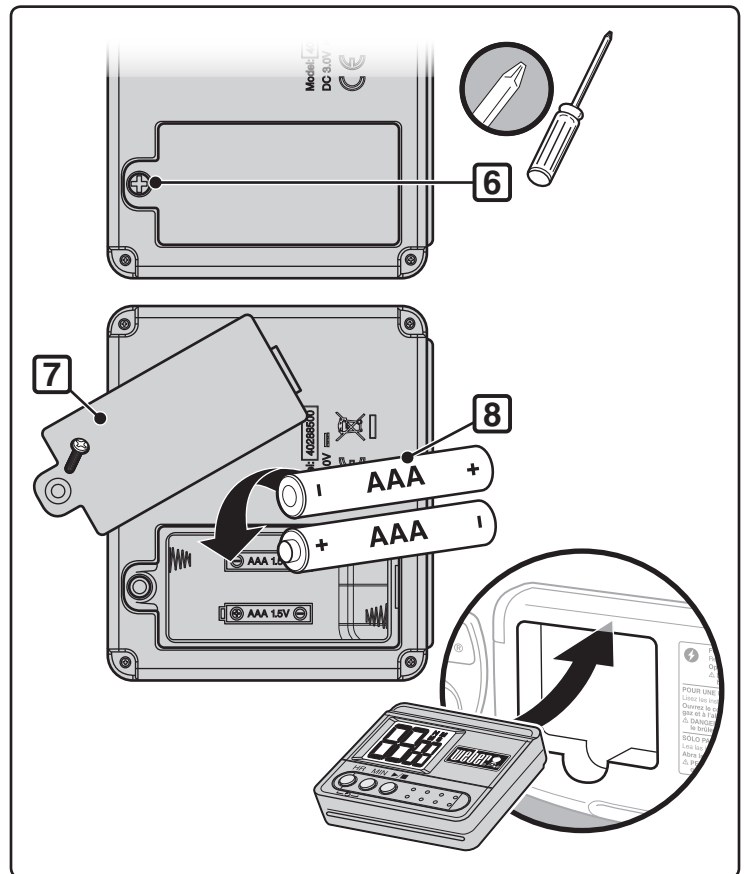
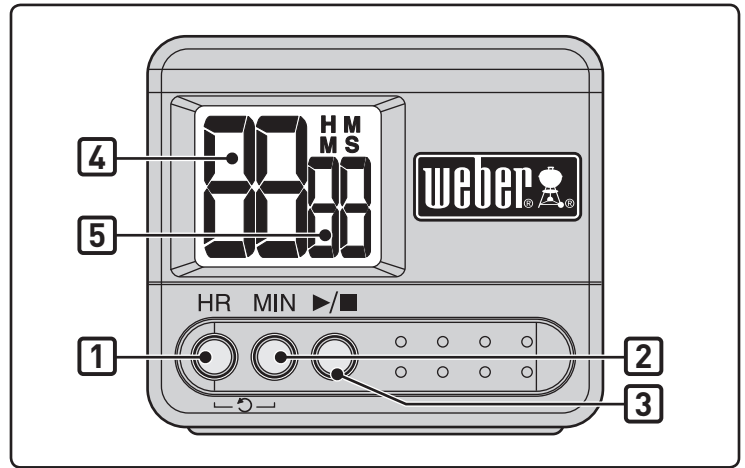
Battery installation:

- Use a Phillips screwdriver to unlock the battery compartment on the back of the timer (6) by turning the screw clockwise.
- Remove the battery cover from the back of the timer (7).
- Add or replace the AAA batteries (8).
- Replace the battery cover.
- Lock the battery cover by turning the screw counterclockwise with a Phillips screwdriver.
- After the batteries are installed, (0000) will display on the LCD screen.

Maintenance:

- Do not clean the timer with an abrasive or corrosive compound. Doing so may scratch it or corrode the electronic circuits.
- Do not subject the timer to excessive force, shock, dust, or expose it to excessive temperatures or humidity. Doing so may result in it malfunctioning, shorter electronic life span, battery damage, or distorted parts.
- Do not tamper with the internal components of the timer. Doing so will invalidate the timer's warranty and may cause unnecessary damage to the battery and internal parts.
- Do not subject the timer to excessive exposure to direct sunlight or heavy rain.
- Do not immerse the timer in water.

For best performance, it is recommended to bring the timer indoors while not in use.



TROUBLESHOOTING

CHECK	PROBLEM	CURE
Burner burns with a yellow or orange flame, in conjunction with the smell of gas.	Inspect burner for possible obstructions.	Clean burner. (See Section "Maintenance")
Burner does not light, or flame is low.	Is LP fuel low or empty?	Replace LP cylinder.
	Is fuel hose bent or kinked?	Straighten fuel hose.
	Does the burner light with a match?	If you can light the burner with a match, then check the ignition system.
	Is the hose to burner tube connection properly secured?	Connect the gas hose to the burner tube using the metal retaining clip provided. ⚠ DANGER: Do not use the gas ignition feature if the retaining clip is missing. A missing retaining clip can cause serious bodily injury or death, and damage to property. Contact Customer Service for a replacement retainer clip.
Burner flame pattern is erratic.	Is burner clean?	Clean burner. (See Section "Maintenance")
Burner does not ignite when you push the igniter button.	Be sure that there is gas flow to the burners by attempting to match light your burners. Refer to "MANUAL IGNITION".	If match lighting is successful, the problem lies in the ignition system. Refer to "ELECTRONIC IGNITION SYSTEM OPERATION".
	Is there a fresh battery installed?	Verify that the battery is in good condition and installed correctly. Refer to "ELECTRONIC IGNITER INSPECTION".
	Are the wires connected properly to the ignition module?	Be sure that wires are correctly inserted into terminals on ignition box. Refer to "ELECTRONIC IGNITION SYSTEM OPERATION".
	Is there plastic wrapping around the new battery?	Remove plastic wrapping.
Timer does not work.	Is there a fresh batteries installed?	Verify that the batteries is in good condition and installed correctly. Refer to "TIMER OPERATION".
Inside of lid appears to be "peeling." (Resembles paint peeling.)	What you are seeing is baked-on grease that has turned to carbon and is flaking off. THIS IS NOT A DEFECT.	Clean thoroughly. (See Section "Cleaning")

If problems cannot be corrected by using these methods, please contact the Customer Service Representative in your area using the contact information on our web site. Log onto www.weber.com®.

MAINTENANCE

After a period of nonuse we recommend that you perform the following maintenance procedures for your safety.

- Check hose before each use of barbecue for nicks, cracking, abrasions or cuts. If the hose is found to be unserviceable, do not use the barbecue. Replace using only Weber® authorized replacement parts. **Contact the Customer Service Representative in your area using the contact information on our web site. Log onto www.weber.com®.**
- ⚠ **CAUTION: If the barbecue gas hose is damaged in any way or leaking, do not use the barbecue.**
- Inspect the burner for the correct flame pattern(see section Burner Flame Patter). Clean, if necessary, according to the procedures outlined in this section.
- Check all gas fittings for leaks. See section "Check For Gas Leaks" .

PERIODIC CLEANING

To remove ashes from the bowl, move control rod (1) side to side so damper blades sweep ashes through the bowl vents and into the ash catcher.

- ⚠ **CAUTION: Be sure that burner is OFF and barbecue is cool before cleaning.**

Do not enlarge burner slots when cleaning.

To clean burner:

- Brush the outside of the burner tube (2) and the burner slot (3) section with a wire brush.

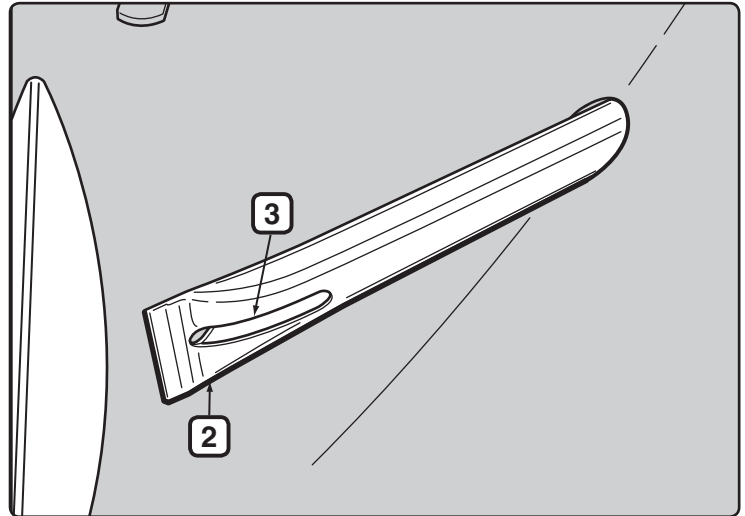
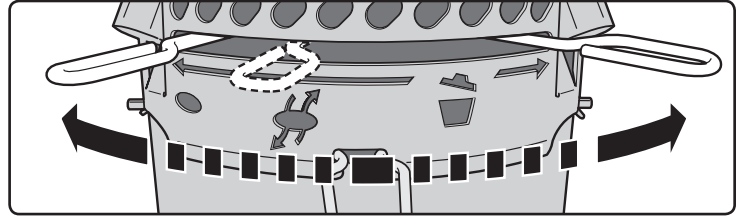
- ⚠ **CAUTION: Do not enlarge the burner slots or the gas orifice when cleaning.**

To clean kettle:

- While lid is warm, wipe the inside with a paper towel to prevent grease buildup.
- For outer surfaces use a warm soapy water solution and rinse well with clear water.

For a more thorough cleaning (to be done at least once a year):

- Remove ashes after coals are fully extinguished.
- Remove the grates and Char-Baskets™.
- Wipe out with paper towels. Wash with a mild detergent and water. Rinse well with clear water and wipe dry.



STORAGE

- When the Performer Grill is stored indoors, the gas supply must be disconnected and the LP tank stored outdoors in a well-ventilated space.
- LP tanks must be stored outdoors in a well-ventilated area out of the reach of children and must not be stored in a building, garage or any other enclosed area.
- After a period of storage and/or nonuse, the barbecue should be checked for gas leaks and any obstructions in the burner tube before using (see section "Maintenance").
- Check that the areas around the tank, hose and burner assembly are free from debris that might obstruct the flow of gas or air before use.

INSECT ALERT

Your Performer Grill, as well as any outdoor gas appliance, is a target for spiders and insects. They can nest in the venturi section (1) of the burner tube causing gas to flow back out of the air shutter.

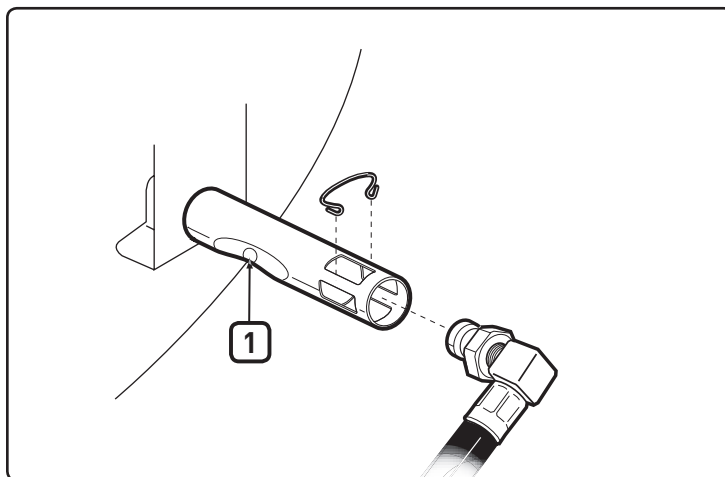
This could result in a fire in and around the burner tube under the bowl panel. It can cause serious damage to your barbecue, rendering it unsafe to operate.

We strongly recommend that you inspect and clean the burner tube at least once a year, or if any of the following symptoms occur:

- A) The smell of gas in conjunction with the burner flames appearing very yellow and lazy.
- B) Burner makes popping noises.

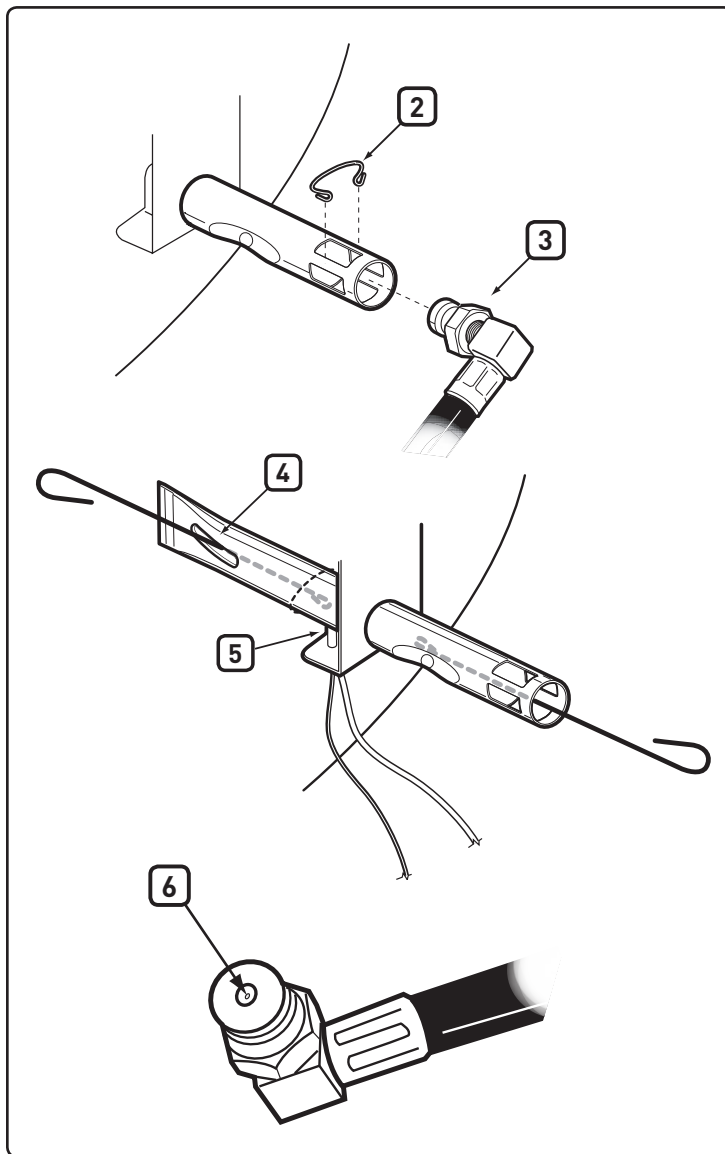
⚠ DANGER

Failure to correct these symptoms may result in a fire which can cause serious bodily injury or death and cause damage to property.



INSPECTING AND CLEANING THE BURNER

- A) Turn gas to OFF.
 - B) Remove the CharBin™ storage container.
 - C) Remove orifice clip (2) and hose fitting (3) from the burner tube.
 - D) Look inside the burner with a flashlight.
 - E) Clean the inside of the burner with the wire matchlight holder (provided). Use the wire to clean the air shutter area, the venturi section, and the burner slots (4) on the inside of the bowl. Be careful when inserting the burner cleaning tool not to damage the igniter electrode (5).
 - F) Recheck with flashlight to see that there are no obstructions.
 - G) If necessary, surface of hose fitting can be cleaned with a brass wire brush. The orifice (6) can be cleaned with a small pin.
- ⚠ CAUTION: Do not enlarge the orifice when cleaning.**
- H) Reassemble by reversing steps B and C.

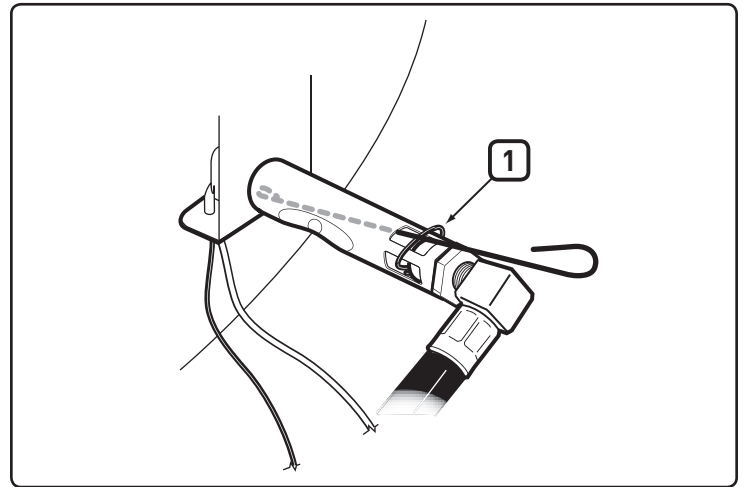


PERIODIC QUICK CLEANING

We recommend that you periodically brush the outside of the burner slots with a wire brush and clean the burner tube through the combustion air vent with the matchstick holder we have provided.

This can be done by locating the burner combustion air vent **(1)** underneath the bowl bracket and inserting the tool through each combustion air vent, rotating the tool. Be careful when inserting the matchstick holder not to damage the igniter electrode.

⚠ CAUTION: It is important to increase the frequency of this cleaning procedure during the spring and summer months.



ELECTRONIC IGNITION INSPECTION

If the Electronic Ignition System fails to ignite, be sure there is gas flow by attempting to match light your burners. Refer to "MANUAL LIGHTING". If match lighting is successful, the problem lies in the electronic ignition.

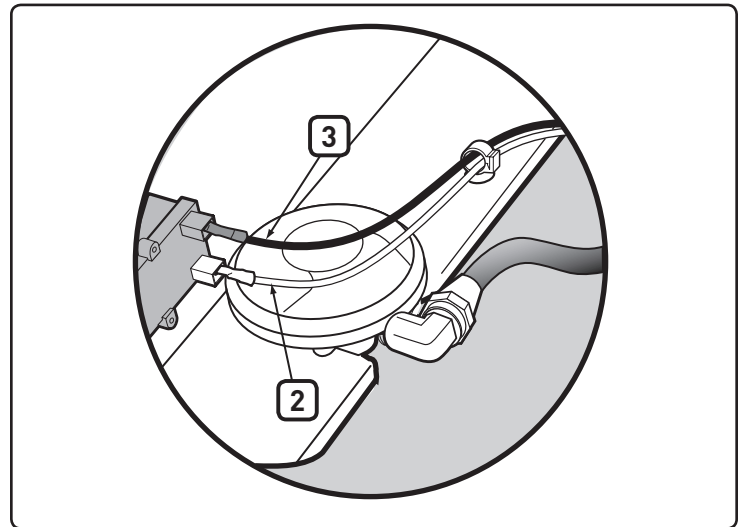
⚠ WARNING: Gas control and supply valve should be in the OFF position.

- Verify that the AAA battery (alkaline only) is in good condition and installed correctly **(1)**. Some batteries have a plastic protective wrap around them. This plastic must be removed. Do not confuse this plastic with the battery label.
- Check that both the white **(2)** and black **(3)** ignition wires are attached properly.
- Check that the Electronic Ignition button is working by listening and looking for sparks at burner.
- Check to see if the igniter is loose in the frame. Tighten if necessary; see step "Install" for the correct procedure.

Replace Battery If Necessary

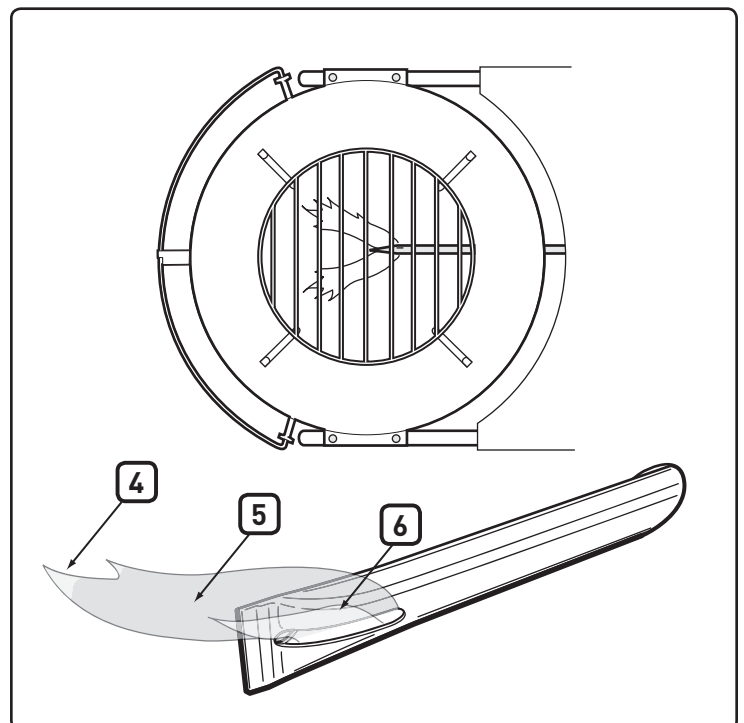
AAA alkaline battery only.

If the Electronic Ignition System still fails to light, contact the Customer Service Representative in your area using the contact information on our web site. Log onto www.weber.com. ♦



BURNER FLAME PATTERN

The burner has been factory set for the correct air and gas mixture. The correct flame pattern should have yellowish tips **(4)** dark blue in the middle **(5)**, and light blue at the burner tube **(6)**. If the flames do not appear as shown, or if "popping" noises occur, follow the burner cleaning procedures.





PERFORMER® DELUXE

GUÍA DEL PROPIETARIO DE LA BARBACOA DE CARBÓN VEGETAL

Ensamblaje - Pg 7

**DEBE LEER ESTA GUÍA DEL PROPIETARIO
ANTES DE PONER A FUNCIONAR
SUBARBACOA DE GAS**

⚠ PELIGRO

Si huele gas:

1. Cierre el suministro de gas al artefacto.
2. Apague cualquier llama encendida.
3. Abra la tapa.
4. Si el olor continuase, aléjese del artefacto e inmediatamente llame a su suplidor de gas o al cuerpo de bomberos.

Una fuga de gas puede provocar un incendio o explosión que pueden resultar en lesiones corporales serias o la muerte, o daños a la propiedad.

⚠ ADVERTENCIA

1. No almacene un cilindro de propano licuado de reserva a menos de 10 pies (3 m) de este artefacto.
2. No almacene ni utilice gasolina u otros líquidos o gases inflamables a menos de 25 pies (8 m) de este artefacto.

⚠ ADVERTENCIA: Antes de poner en funcionamiento a la barbacoa, siga cuidadosamente todos los procedimientos en este manual para verificar que no existan fugas. Haga esto aun y cuando la barbacoa haya sido ensamblada por el distribuidor.

AVISO AL INSTALADOR: Estas instrucciones deben permanecer con el propietario, quien las deberá guardar para un futuro uso.

ESTE ARTEFACTO A GAS ESTÁ DISEÑADO PARA USARSE SOLAMENTE AL AIRE LIBRE.

⚠ ADVERTENCIA: No trate de encender este artefacto sin antes leer la sección "Instrucciones para encender el asador" de este manual.

⚠ El no acatar estas instrucciones podría resultar en un fuego o explosión, que podrían causar daños a la propiedad, lesiones personales o la muerte.

PELIGROS Y ADVERTENCIAS

NO RESPETAR ESTAS SEÑALES DE PELIGRO, ADVERTENCIA Y PRECAUCIÓN PUEDE PROVOCAR HERIDAS GRAVES O LA MUERTE, O UN INCENDIO O UNA EXPLOSIÓN QUE PROVOQUE DAÑO A LA PROPIEDAD.

- ⚠ SÍMBOLOS DE SEGURIDAD (⚠) lo alertarán con información importante de SEGURIDAD.
- ⚠ Los términos señalizadores como PELIGRO, ADVERTENCIA o PRECAUCIÓN se usarán con el SÍMBOLO DE SEGURIDAD.
- ⚠ PELIGRO identificará el riesgo más grave.
- ⚠ Lea toda la información de seguridad contenida en la Guía del propietario antes de hacer funcionar esta parrilla.

⚠ PELIGROS

- ⚠ No use esta parrilla bajo ninguna construcción de combustible sobrecargada.
- ⚠ El montaje inadecuado puede ser peligroso. Por favor siga las instrucciones de montaje de este manual. No use la parrilla a menos que las piezas estén en su lugar. Asegúrese de que el cenicero esté bien adjuntado a las patas que están debajo de la cuba de la parrilla, o que la capacidad más alta del cenicero esté en su lugar, antes de encender la parrilla.
- ⚠ Los materiales combustibles nunca deben estar a 24 pulgadas o menos de la parte superior, inferior, trasera o lateral de la parrilla.
- ⚠ Nunca se apoye sobre la parrilla cuando encienda el quemador de gas.
- ⚠ No use la parrilla cuando haya vientos fuertes.
- ⚠ No haga funcionar la parrilla si hay fuga de gas.
- ⚠ No utilice una llama para verificar si hay fugas de gas.
- ⚠ Si el quemador se apaga durante el funcionamiento, apague la válvula del tanque. Remueva la cubierta y espere cinco minutos antes de intentar volver a encenderlo, usando las instrucciones de encendido detalladas en este manual.
- ⚠ No intente desconectar el regulador de gas desde el tanque o el conector del gas mientras la parrilla esté en uso.
- ⚠ Utilice únicamente el regulador para gas licuado que se le suministra con su parrilla.

⚠ ADVERTENCIA

- ⚠ No almacene un tanque de gas licuado de repuesto o desconectado debajo o cerca de la parrilla.
- ⚠ Mantenga la parrilla en una superficie segura y nivelada todo el tiempo, que esté libre de materiales combustibles.
- ⚠ No coloque una funda sobre la parrilla ni objetos inflamables sobre el área de almacenamiento debajo de la parrilla.
- ⚠ Quite siempre la cubierta antes de encender el quemador de gas, ya sea manualmente o con el encendedor. La cubierta debe permanecer apagada hasta que el carbón esté encendido por completo.
- ⚠ Utilice herramientas de parrilla adecuadas, con mangos largos y resistentes a la temperatura.
- ⚠ Algunos modelos pueden incluir la característica de sostén de la cubierta Tuck-Away™. El sostén de la cubierta Tuck-Away™ se usa para almacenar la cubierta mientras verifica o da vuelta sus alimentos. No use el sostén de la cubierta Tuck-Away™ como mango para levantar o mover la parrilla. No coloque la cubierta caliente sobre la alfombra o el césped. No cuelgue la cubierta del mango de la cuba.
- ⚠ Manipule y almacene con cuidado los encendedores eléctricos calientes.
- ⚠ Mantenga los cables y los conductores lejos de las superficies calientes de la parrilla y lejos de las áreas de alto tránsito.
- ⚠ Después de un período de almacenamiento o sin usar, corrobore que no haya pérdidas de gas ni obstrucciones en el quemador antes de volver a usar. Consulte las instrucciones de este manual para ver los procedimientos correctos.
- ⚠ La conversión o el uso tentativo de gas natural de esta parrilla es peligroso y anulará su garantía.
- ⚠ Un tanque de gas licuado abollado u oxidado puede ser peligroso y debe verificarse con el proveedor de líquido propano. No utilice un tanque de gas licuado que tenga la válvula dañada.
- ⚠ Aunque su tanque de gas licuado puede parecer vacío, todavía puede contener gas. El tanque debe ser transportado y almacenado de manera adecuada.
- ⚠ **ADVERTENCIA PROPOSICIÓN 65:** Manipular el material de bronce de este producto lo expone al plomo, un químico conocido para el Estado de California por causar cáncer, defectos congénitos y otros daños reproductivos. Lávese las manos antes de manipular este producto.
- ⚠ Si ve, huele o escucha un escape de gas del tanque de gas licuado:
 1. Aléjese rápidamente del tanque de gas licuado.
 2. No intente solucionar el problema por sus propios medios.
 3. Llame al Departamento de bomberos.

⚠ PRECAUCIONES

- ⚠ Revestir la cuba con una lámina de aluminio obstruirá el flujo de aire. Use en cambio una bandeja recogegotas para recoger las gotas de la carne cuando cocine con el método indirecto.
- ⚠ El uso de objetos puntiagudos para limpiar la rejilla de cocción o para remover las cenizas daña el acabado.
- ⚠ El uso de limpiadores abrasivos en la rejilla de cocción o en la parrilla misma daña el acabado.
- ⚠ La parrilla se debe limpiar a fondo regularmente.

GARANTÍA

Gracias por su compra del producto Weber®. Weber-Stephen Products LLC, 200 East Daniels Road, Palatine, Illinois 60067-6266 ("Weber") se enorgullece en proporcionar un producto seguro, duradero y confiable.

Esta es la garantía voluntaria Weber proporcionada sin costo adicional. Contiene la información que tendrá que tener para que su producto WEBER® se repare en el raro caso de una falla o defecto.

En cumplimiento con las leyes correspondientes, el cliente cuenta con varios derechos en el caso de un producto defectuoso. Esos derechos incluyen el rendimiento o reemplazo adicional, reducción del precio de compra y compensación. Por ejemplo, en la Unión Europea, se trataría de una garantía legal de dos años a partir de la fecha en que se entrega el producto. Estos y otros derechos legales permanecen vigentes por esta cláusula de garantía. De hecho, esta garantía otorga derechos adicionales al Dueño que son independientes de las cláusulas legales de garantía.

GARANTÍA VOLUNTARIA DE WEBER

Weber garantiza, al comprador del producto WEBER® (o en caso de una situación de regalo o promocional, la persona para la cual se compró como regalo o promoción), que el producto WEBER® está libre de defectos en materiales y mano de obra por el/los periodo(s) de tiempo especificados a continuación cuando se arma y opera de acuerdo con Guía del Usuario acompañante. (Nota: Si usted pierde o no encuentra su Guía del Usuario de WEBER®, puede encontrar una de reemplazo en línea en www.weber.com, o en el sitio específico del país que se le pueda asignar al Dueño). Bajo uso y mantenimiento normal en viviendas o departamentos familiares, Weber está de acuerdo dentro del marco de esta garantía en reparar o reemplazar las partes defectuosas dentro de los periodos de tiempo correspondientes, las limitaciones y exclusiones incluidas continuación. HASTA EL GRADO PERMITIDO POR LA LEY CORRESPONDIENTE, ESTA GARANTÍA SE AMPLIA SOLO AL COMPRADOR ORIGINAL Y NO ES TRANSFERIBLE A DUEÑOS POSTERIORES, CON EXCEPCIÓN DEL CASO DE REGALOS Y ARTÍCULOS PROMOCIONALES COMO SE INDICÓ ARRIBA.

RESPONSABILIDADES DEL DUEÑO BAJO ESTA GARANTÍA

Para asegurar una cobertura de garantía sin problemas, es importante (sin embargo no es requisito) que registre su producto WEBER® en línea en www.weber.com, o en el sitio especificado por país que se le pueda indicar al cliente). Conserve también por favor su recibo o factura de compra original. Al registrar su producto WEBER® confirma su cobertura de garantía y proporciona un enlace directo entre usted y Weber en caso de que necesitemos contactarlo.

La garantía anterior solo se aplica si el Dueño toma el cuidado razonable del producto WEBER® siguiendo todas las instrucciones de armado, las instrucciones de uso, y el mantenimiento preventivo, como se describe en la Guía del Usuario anexa, a menos que el Dueño pueda comprobar que el defecto o la falla es independiente de la falta de cumplimiento con las obligaciones mencionadas arriba. Si usted vive en un área costera o tiene su producto ubicado cerca de una piscina, el mantenimiento incluye el lavado y enjuagado regular de las superficies exteriores como se describe en la Guía del Usuario acompañante.

MANEJO DE GARANTÍA / EXCLUSIÓN DE GARANTÍA

Si usted cree que cuenta con una pieza cubierta bajo esta Garantía, contacte por favor al Departamento de Servicio al Cliente de Weber utilizando la información en nuestro sitio (www.weber.com, o la información específica del sitio a donde se le indique al Dueño). Después de una investigación, Weber reparará o reemplazará (a su propia opción) una pieza defectuosa cubierta por esta Garantía. En el caso en que no sea posible una reparación o reemplazo, Weber puede escoger (a su propia opción) reemplazar el asador en cuestión con un nuevo asador de igual o mayor valor. Weber puede pedirle que regrese las piezas para su inspección, los cobros por envío deben ser prepagados.

Esta GARANTÍA se anula si existen daños, deterioros, descoloraciones u óxido por los cuales Weber no sea responsable y que sean ocasionados por:

- abuso, falta de uso, alteración, modificación, mal uso, vandalismo, negligencia, montaje o instalación inadecuada y no realizar el mantenimiento normal y de rutina;
- Insectos (como arañas) y roedores (como ardillas), incluyendo más no limitándose a daños a los tubos del quemador y/o las mangueras de gas;
- Exposición a fuentes de aire con alta concentración de sal o cloro como piscinas y jacuzzies/spas;

- Condiciones ambientales severas como granizo, huracanes, terremotos, tsunamis u oleaje, tornados o fuertes tormentas.

El uso y/o instalación de piezas en su producto WEBER® que no sean piezas genuinas Weber anularán esta Garantía, y cualquier otro daño que resulte de los mismos no está cubierto bajo esta Garantía. Cualquier conversión de un asador de gas no autorizada por Weber y realizada por un técnico de servicio autorizado Weber anulará esta Garantía.

PERIODOS DE GARANTÍA DE PRODUCTO

Rejillas para cocinar/para carbón: 2 años, sin que atraviese el óxido/quemaduras

Sistema de limpieza One-Touch™: 5 años, sin que atraviese el óxido/quemaduras

Tazón, tapa y anillo central: 10 años, sin que atraviese el óxido/quemaduras

Componentes plásticos: 5 años, excluyendo el deterioro o descoloración

Todas las partes restantes: 2 años

DESCARGOS DE RESPONSABILIDADES

ADEMÁS DE LA GARANTÍA Y DESCARGOS DE RESPONSABILIDADES DESCRITOS EN ESTA DECLARACIÓN DE GARANTÍA, NO EXISTEN EXPLÍCITAMENTE GARANTÍAS ADICIONALES O DECLARACIONES VOLUNTARIAS DE RESPONSABILIDAD OTORGADAS POR EL PRESENTE QUE VAN MÁS ALLÁ DE LA RESPONSABILIDAD LEGAL APLICADA A WEBER. LA PRESENTE DECLARACIÓN DE GARANTÍA NO SE LIMITA NI EXCLUYE SITUACIONES O RECLAMOS EN DONDE WEBER CUENTA CON RESPONSABILIDAD OBLIGATORIA COMO LO ESTABLECE LA LEY.

NINGUNA GARANTÍA SE DEBERÁ APLICAR DESPUÉS DE LOS PERIODOS DE TIEMPO CORRESPONDIENTES DE ESTA GARANTÍA. NINGUNA OTRA GARANTÍA OFRECIDA POR CUALQUIER PERSONA, INCLUYENDO UN DISTRIBUIDOR O MINORISTA CON RESPECTO A CUALQUIER PRODUCTO (COMO CUALQUIER "GARANTÍA PROLONGADA"), DEBERÁN VINCULAR A WEBER. EL REMEDIO EXCLUSIVO DE ESTA GARANTÍA ES LA REPARACIÓN O REPLAZO DE LA PIEZA O PRODUCTO.

BAJO NINGUNA CIRCUNSTANCIA BAJO ESTA GARANTÍA VOLUNTARIA, LA RECUPERACIÓN DE CUALQUIER TIPO DEBERÁ SER MAYOR QUE LA CANTIDAD DEL PRECIO DE COMPRA DEL PRODUCTO WEBER VENDIDO.

USTED ASUME EL RIESGO Y HACIA OTROS Y SUS PROPIEDADES QUE SE DERIVEN DEL MAL USO O ABUSO DEL PRODUCTO O DEBIDO A LA FALTA DE SEGUIMIENTO DE LAS INSTRUCCIONES PROPORCIONADAS POR WEBER EN LA GUÍA DEL USUARIO ACOMPAÑANTE.

LAS PIEZAS Y ACCESORIOS REPLAZADOS BAJO ESTA GARANTÍA ESTÁN GARANTIZADOS SOLAMENTE POR EL TIEMPO RESTANTE DEL/DE LOS PERIODO(S) ORIGINAL(ES) DE GARANTÍA.

ESTA GARANTÍA SE APLICA AL USO EN HOGARES O DEPARTAMENTOS FAMILIARES PRIVADOS Y NO SE APLICA CUANDO LOS ASADORES DE GAS WEBER SE USAN EN AMBIENTES COMERCIALES, COMUNITARIOS O DE UNIDADES MÚLTIPLES COMO RESTAURANTES, HOTELES, CENTROS TURÍSTICOS O PROPIEDADES DE RENTA.

WEBER PUEDE DE VEZ EN CUANDO CAMBIAR EL DISEÑO DE SUS PRODUCTOS. NADA INCLUIDO EN ESTA GARANTÍA DEBERÁ INTERPRETARSE COMO UNA OBLIGACIÓN DE WEBER DE INCORPORAR DICHOS CAMBIOS DE DISEÑO EN LOS PRODUCTOS FABRICADOS ANTERIORMENTE, NI TAMPOCO DICHOS CAMBIOS DEBERÁN INTERPRETARSE COMO UNA ADMISIÓN DE QUE LOS DISEÑOS PREVIOS ESTABAN DEFECTUOSOS.

WEBER-STEPHEN PRODUCTS LLC

Customer Service Center
2900 Golf Road
Rolling Meadows, IL 60008
EE.UU.

Para compras hechas en México:

Weber-Stephen Products S.A. de C.V.
Calle José Guadalupe Zuno #2302 P.H.
Col. Americana, Guadalajara, Jalisco C.P. 44160 Mexico
RFC- WPR030919ND4

INSTRUCCIONES GENERALES

- Estas instrucciones le indicarán los requisitos mínimos para ensamblar su barbacoa de gas Weber®. Por favor lea cuidadosamente las instrucciones antes de utilizar su barbacoa de gas Weber®. Un ensamblaje incorrecto puede ser peligroso.
- No debe ser usado por niños.
- La instalación debe estar acorde con los códigos locales o, en la ausencia de estos, con el Código Nacional de Gas Combustible, ANSI Z223.1/NFPA 54, "Almacenamiento y manipulación de gases licuados del petróleo", ANSI/NFPA 58; o CSA B149.1, "Código de instalación para el gas natural y el propano".
- Debe usarse el regulador de presión suministrado con la barbacoa de gas Weber®. Este regulador está ajustado para una presión de 11 pulgadas de columna de agua.
- Esta barbacoa de gas Weber® está diseñada para ser usada exclusivamente con gas propano licuado (LP). No lo use con gas natural (suministrado a través de tuberías en las ciudades). Las válvulas, los orificios, la manguera y el regulador son solamente para gas propano licuado.
- Este artefacto no está diseñado para uso comercial.
- Las áreas alrededor del cilindro de gas de propano licuado deben estar libres y sin acumulación de desperdicios.
- Los reguladores de presión y ensamblajes de mangueras de reemplazo deberán ser aquellos especificados por el fabricante del artefacto de gas para cocinar al aire libre.
- Coloque las tapas guardapolvo sobre las salidas de las válvulas del cilindro cuando no se esté utilizando este último.

- Desconectar el cilindro si: 1) está vacío; 2) va a guardar la barbacoa en un garaje u otro lugar cerrado; 3) va a transportar la barbacoa; 4) no está usando la barbacoa.
- ⚠ **Do not move the appliance during use. Allow the grill to cool before moving.**
- ⚠ **This appliance is not intended for and should never be used as a heater.**
- ⚠ **When cooking, the appliance must be on a level, stable surface in an area clear of combustible material.**

INFORMACIÓN IMPORTANTE SOBRE EL CILINDRO

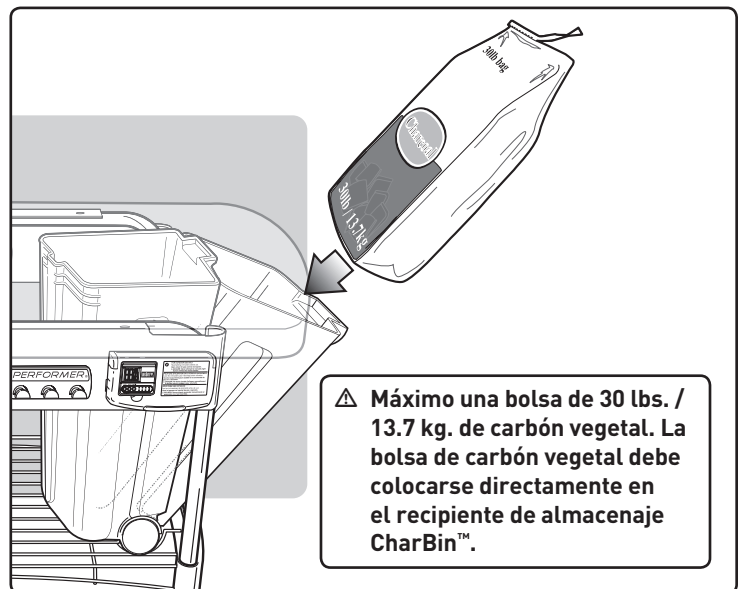
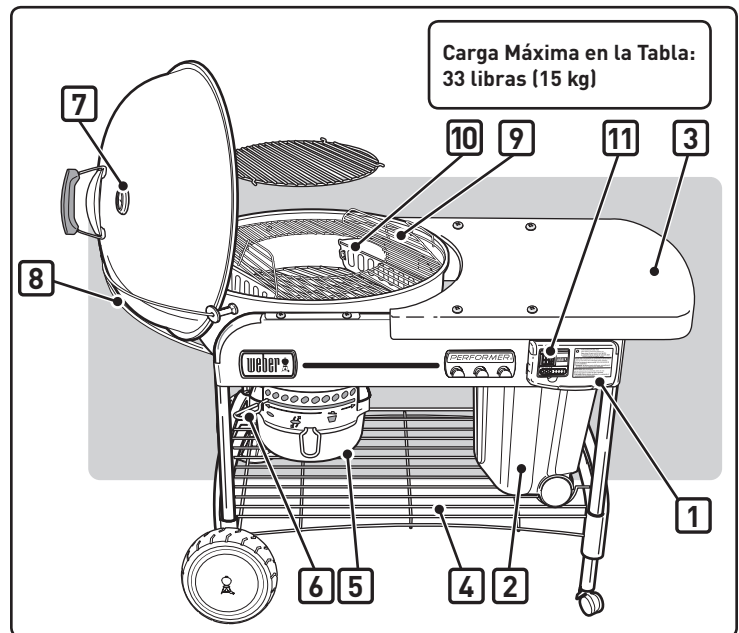
- ⚠ **NUNCA almacene un cilindro de gas propano licuado de reserva debajo o cerca de esta barbacoa.**

Nota: Su barbacoa de gas Weber® está equipada con un sistema de suministro desde cilindros diseñado para el retiro del vapor.

- El cilindro de suministro del gas de propano licuado a usarse debe estar construido y marcado de acuerdo con las especificaciones para cilindros de gas de propano licuado del Departamento del Transporte (D.O.T.) de los EE.UU. o la Norma Nacional del Canadá, CAN/CSA-B339, "Cilindros, esferas y tubos para el transporte de productos peligrosos".

CARACTERÍSTICAS:

- A) Un sistema exclusivo de encendido de gas Touch-N-Go™ administra fácilmente las briquetas de carbón **[1]**. Simplemente empuje y sostenga el botón y el quemador de gas del sistema se enciende, prendiendo el carbón para usted. No utilice ni almacene encendedores líquidos, ni tampoco dejes de encendedores líquidos.
- B) El contenedor de almacenamiento CharBin™ sostiene una bolsa de carbón con un peso de máximo de 13.7 kg/30 lb **[2]**. La bolsa de carbón se debe ubicar directamente en el contenedor de almacenamiento CharBin™.
- C) La superficie de trabajo de metal sirve como una gran área de trabajo y cubre el contenedor de almacenamiento CharBin™ para mantener secas las briquetas **[3]**.
- D) Bastidor inferior práctico para almacenamiento **[4]**.
- E) El receptor de cenizas se ajusta en su lugar, eliminando las cenizas que vuelan **[5]**.
- F) El sistema de limpieza One-Touch™ limpia fácilmente las cenizas, o abre y cierra los respiraderos **[6]**.
- G) El termómetro controla la temperatura de cocción dentro de la parrilla **[7]**.
- H) La cubierta Tuck-Away™ se desliza hacia atrás en el soporte de la cubierta de acero inoxidable y actúa como antiviento al encender las briquetas **[8]**.
- I) El Sistema Gourmet BBQ™ Weber Original™ (GBS™) gira la rejilla de cocción **[9]**, las aletas de acceso giratorio se abren al girar sobre la rejilla de cocción para la fácil adición de briquetas o astillas durante la cocción. Incluye encastre para su uso diario. Encaja con la línea completa de accesorio del Sistema Gourmet BBQ™.
- J) Los soportes de combustible de carbón Char-Basket™ permiten la práctica flexibilidad de la cocción indirecta y la cocción directa concentrada con madera o carbón **[10]**.
- K) Temporizador de cocina digital **[11]**.



CONECTE EL CILINDRO DE PROPANO

Use cilindros desechables de propano con una capacidad de 14.1 onzas o 16.4 onzas equipados con una conexión CGA #600.

⚠ PRECAUCIÓN: Use solamente cilindros que estén marcados con las siglas "Propane fuel" (combustible propano).

Empuje el cilindro de propano dentro del regulador y gírelo en la dirección de las manecillas del reloj hasta que quede apretado.

⚠ ADVERTENCIA: Sólo apriete a mano. Si se usa una fuerza excesiva podría dañarse el cople del regulador y causar una fuga.

COMPRUEBE QUE NO HAYA FUGAS DE GAS

⚠ PELIGRO

No utilice una llama abierta para comprobar si existen fugas de gas. Asegúrese de que no haya chispas o llamas abiertas en el área mientras comprueba si existen fugas. Chispas o llamas causarían un fuego o explosión, las cuales pueden causar serias lesiones corporales o la muerte, y daños a la propiedad.

A) Conexión del regulador al cilindro de propano.

⚠ ADVERTENCIA: Si hay una fuga en la conexión (1), retire el cilindro de propano girándolo en dirección contraria a las agujas del reloj. No opere la barbacoa. Utilice un cilindro de propano diferente y vuelva a verificar que no haya fugas usando una solución de agua y jabón. Si una fuga persiste aún después de volver a apretar la conexión al cilindro de propano, CIERRE el gas. NO HAGA FUNCIONAR LA BARBACOA. Contacte al Representante de Servicios al Cliente en su área utilizando la información de contacto en nuestro sitio web. Conéctese a www.weber.com.

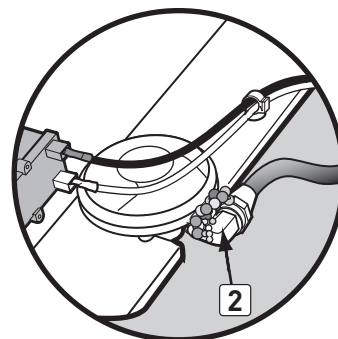
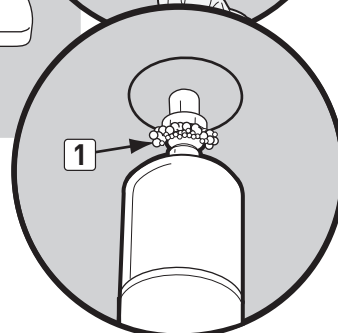
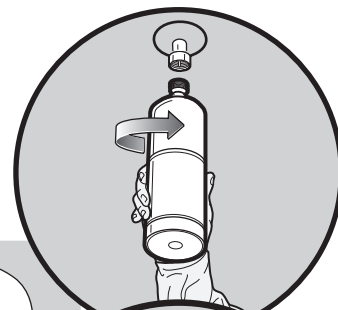
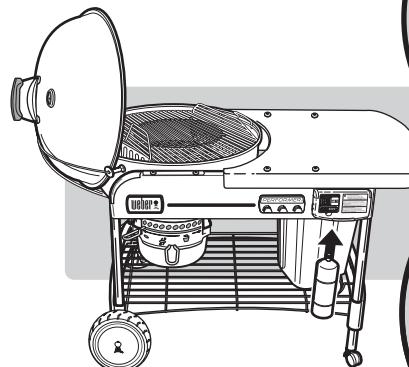
B) Conexiones del regulador a la manguera.

⚠ ADVERTENCIA: Si hubiese una fuga en la conexión (2) CIERRE el suministro de gas. NO HAGA FUNCIONAR LA BARBACOA. Contacte al Representante de Servicios al Cliente en su área utilizando la información de contacto en nuestro sitio web. Conéctese a www.weber.com.

Cuando se haya completado la comprobación de las fugas de gas, CIERRE el suministro de gas en la fuente y enjuague las conexiones con agua.

⚠ PELIGRO

No almacene un cilindro de propano licuado de reserva debajo o cerca de este aparato.



ENCENDIDO

⚠ PELIGRO

Abra la tapa antes de encender. En ningún momento utilice líquidos inflamables tales como fluido de encendido, gasolina, alcohol o cualquier forma de carbón autoencendible, incluso cuando se esté encendiendo manualmente. El hacer caso omiso a esta instrucción causará lesiones corporales serias o la muerte.

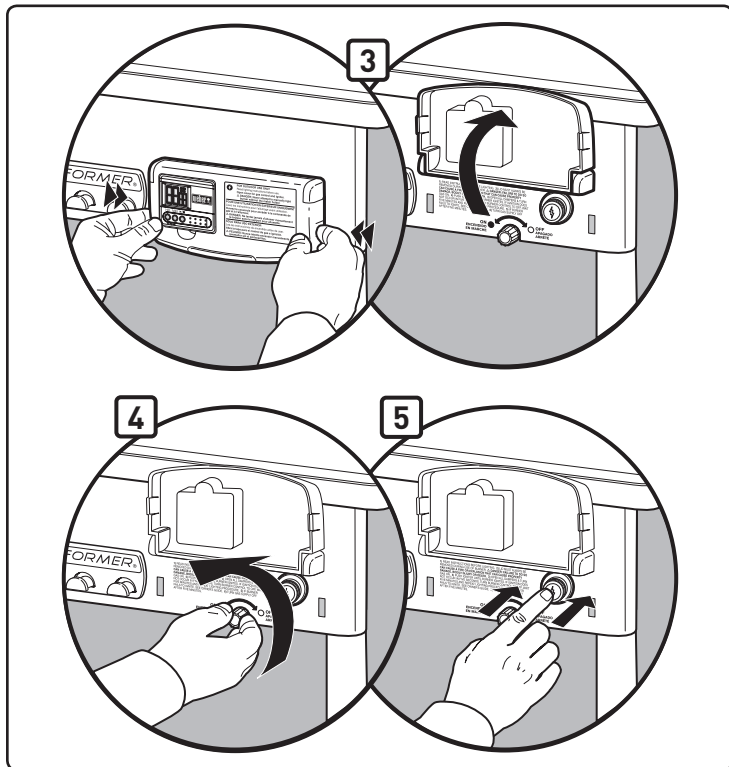
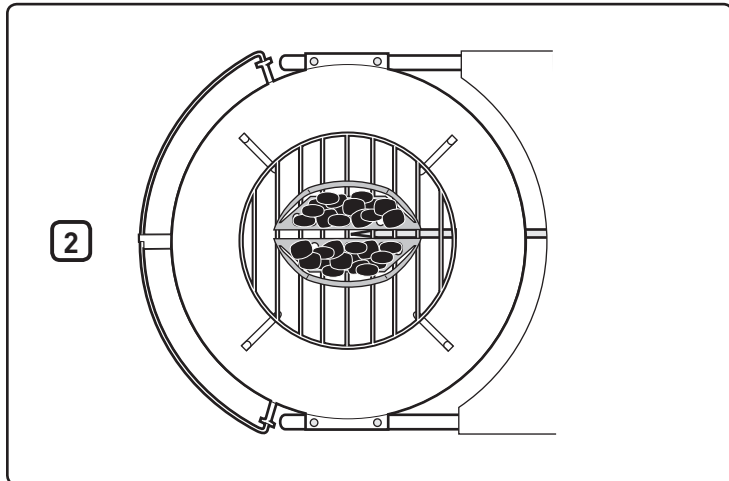
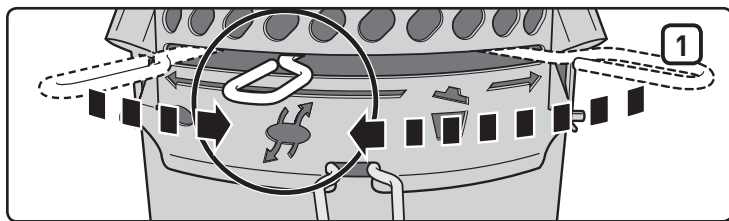
- A) Retire la tapa de la barbacoa antes de encender el sistema de gas.
- ⚠ **PELIGRO: El no hacerlo pudiera causar una acumulación de gas que ocasione un fuego o explosión, resultando en lesiones corporales o la muerte y en daños a la propiedad.**
- B) Abra los reguladores de aire en el fondo del tazón (1).
- C) Coloque las cestas Char-Baskets™ sobre el quemador (2).
- D) Empuje hacia dentro las lengüetas sobre la cubierta del control del gas (3) y levante para abrir.
- E) Abra el suministro de gas [gire en dirección contraria a las manecillas del reloj] por lo menos una vuelta completa(4).
- ⚠ **ADVERTENCIA: No se incline sobre la barbacoa abierta mientras esté encendiéndola.**
- F) Pulse y mantenga presionado el botón hasta que el quemador se encienda (5).
- ⚠ **PRECAUCIÓN: Puede que sea difícil ver la llama en un día brillante.**
- G) Una vez que se haya encendido el carbón vegetal [aproximadamente unos 5 minutos], gire la perilla de control de gas a la posición "OFF" (en dirección de las agujas del reloj) hasta que la válvula se haya cerrado.
- ⚠ **PRECAUCIÓN: Asegúrese de que la cubierta esté completamente cerrada.**

Nota - Corridas prolongadas del tanque reducen la vida del tanque.

- H) Puede empezar a cocinar cuando las briquetas estén cubiertas con una leve capa de ceniza gris (en aproximadamente 25-30 minutos).

PARA APAGAR

Gire la perilla de control de gas a la posición "OFF" (en dirección de las agujas del reloj) hasta que la válvula se haya cerrado.



ENCENDIDO MANUAL

⚠ **ADVERTENCIA:** No trate de encender manualmente sin utilizar el portacerillos.

⚠ PELIGRO

Abra la tapa antes de encender. En ningún momento utilice líquidos inflamables tales como fluido de encendido, gasolina, alcohol o cualquier forma de carbón autoencendible, incluso cuando se esté encendiendo manualmente. El hacer caso omiso a esta instrucción causará lesiones corporales serias o la muerte.

A) Retire la tapa de la barbacoa antes de encender el sistema de gas.

⚠ **PELIGRO:** El no hacerlo podría causar una acumulación de gas que ocasione un fuego o explosión, resultando en lesiones corporales o la muerte y en daños a la propiedad.

B) Abra los reguladores de aire en el fondo del tazón (1).

C) Aleje las cestas Char-Baskets™ del quemador (2).

D) Empuje hacia dentro las lengüetas sobre la cubierta del control del gas (3) y levante para abrir.

E) Coloque un cerillo en el portacerillos. Encienda el cerillo.

F) Abra el suministro de gas (gire en dirección contraria a las manecillas del reloj) por lo menos una vuelta completa (4).

G) Coloque la llama del cerillo en la parte posterior de la ranura del quemador (5).

⚠ **ADVERTENCIA:** No coloque la mano directamente sobre el quemador al encender manualmente.

⚠ **ADVERTENCIA:** No se incline sobre la barbacoa abierta mientras esté encendiéndola.

⚠ **PRECAUCIÓN:** Puede que sea difícil ver la llama en un día brillante.

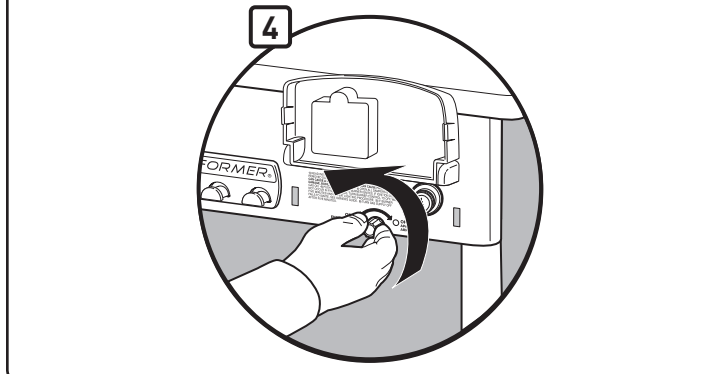
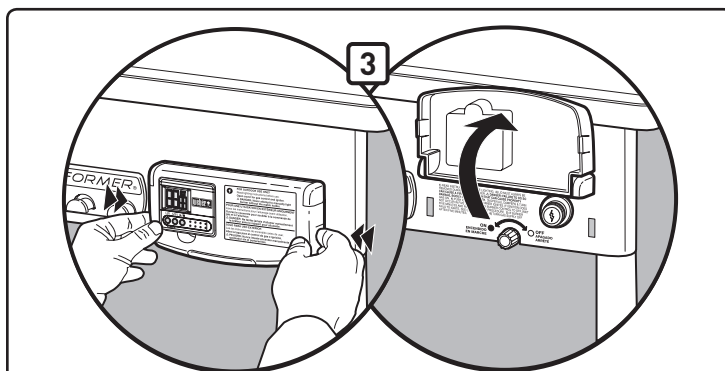
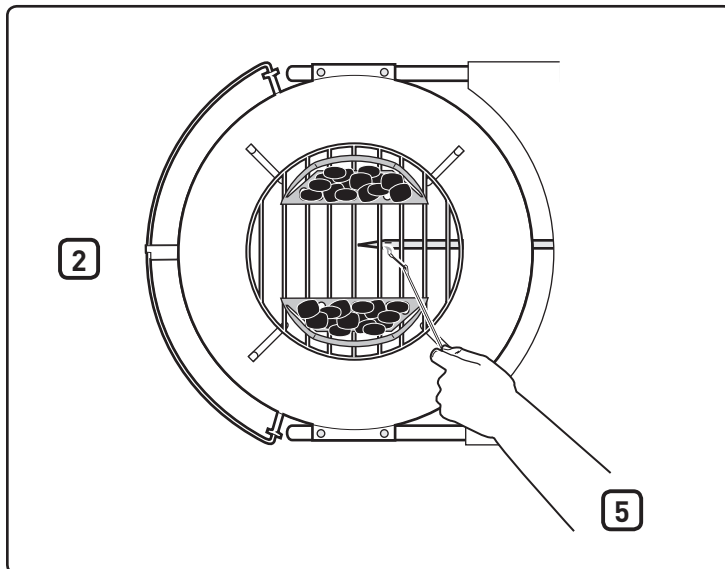
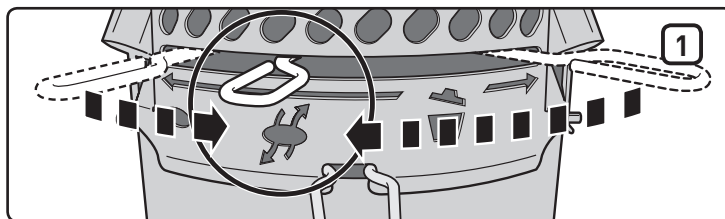
H) Lleve puestos guantes de barbacoa y utilice tenazas para volver a colocar las cestas Char-Baskets™ sobre el quemador.

I) Una vez se haya encendido el carbón vegetal (en aproximadamente 5 minutos), CIERRE (en dirección de las agujas del reloj) el control de gas.

J) Puede empezar a cocinar cuando las briquetas estén cubiertas con una leve capa de ceniza gris (en aproximadamente 25-30 minutos).

PARA APAGAR

Gire la perilla de control de gas a la posición "OFF" (en dirección de las agujas del reloj) hasta que la válvula se haya cerrado.

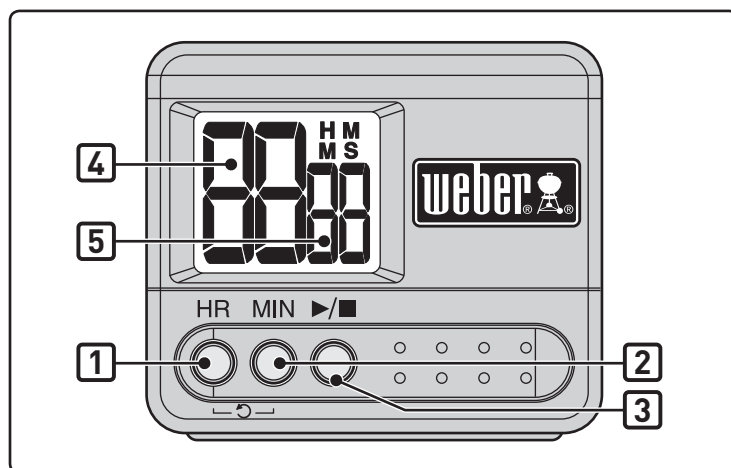


FUNCIONAMIENTO DEL TEMPORIZADOR

Este temporizador de cocina digital resistente al agua brinda tanto características de conteo como de cuenta regresiva en horas, minutos y segundos.

Para configurar el tiempo en cuenta regresiva:

- Presione el botón **Start/Stop (Iniciar / Detener)**: ► / ■ para encender la luz posterior.
- Presione el botón **HR (1)** para establecer la cantidad de horas. Mantenga el botón hacia abajo para adelantar rápidamente los dígitos (configuración máxima: 99 horas) **(4)**.
- Presione el botón **MIN (2)** para establecer la cantidad de minutos. Mantenga el botón hacia abajo para adelantar rápidamente los dígitos (configuración máxima: 59 minutos) **(5)**.
- Cuando esté establecido el tiempo, presione el botón **Start/Stop (Iniciar / Detener)**: ► / ■ **(3)** para comenzar la cuenta regresiva.
- Cuando termine el tiempo, sonará la alarma durante 30 segundos y se reiniciará la cuenta regresiva automáticamente desde la configuración de tiempo previa.



IMPORTANTE

Cuando al temporizador le falte más de una hora en la cuenta regresiva, las letras H y M (horas y minutos) parpadearán; los números contarán cada minuto. Cuando al temporizador le falte menos de una hora de tiempo, las letras H y M cambiarán a M y S (minutos y segundos) y los segundos contarán; los números empezarán a contar cada un segundo.

Para borrar el tiempo:

- Presione el botón **Start/Stop (Iniciar / Detener)**: ► / ■ para encender la luz posterior.
- Presione el botón **HR** y el botón **MIN**: ↻ simultáneamente **(1)(2)**.

Para configurar el tiempo en conteo:

- Presione el botón **Start/Stop (Iniciar / Detener)**: ► / ■ para encender la luz posterior.
- Presione el botón **Start/Stop (Iniciar / Detener)**: ► / ■ otra vez para iniciar el conteo. Durante el conteo, la pantalla mostrará la lectura en formato de horas/ minutos y minutos/segundos.
- Presione el botón **Start/Stop (Iniciar / Detener)**: ► / ■ dos veces para detener el temporizador. El conteo se detendrá después de las 99 horas **(4)**, 59 minutos **(5)**.

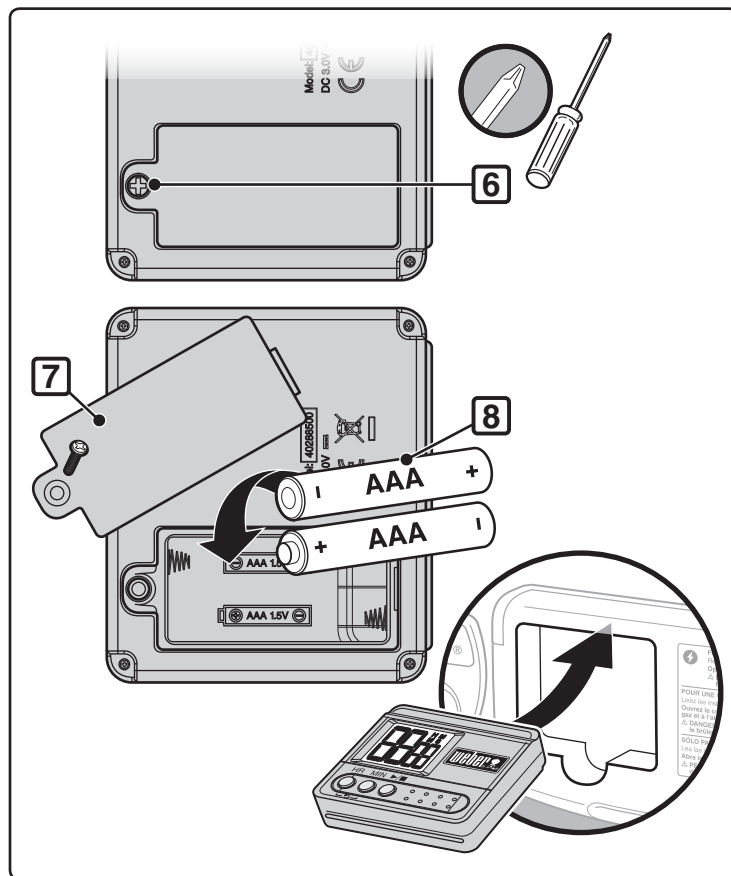
Apagado automático:

- Para ahorrar la vida útil de la batería, la luz posterior se apaga después de 10 segundos. El temporizador se apagará completamente después de 10 minutos de inactividad.

Nota: Si se usa el temporizador en un ambiente que esté sujeto a descargas electrostáticas (electricidad estática), la configuración del tiempo se puede perder. Si sucede esto, reinicie el temporizador.

Instalación de la batería:

- Use un destornillador Phillips para destrabar el compartimento de la batería en la parte trasera del temporizador **(6)** girando el tornillo en sentido horario.
- Quite la cubierta de la batería de la parte trasera del temporizador **(7)**.
- Agregue baterías AAA o reemplace las anteriores **(8)**.
- Reemplace la cubierta de la batería.
- Trabe la cubierta de la batería girando el tornillo en sentido horario con el destornillador Phillips.
- Después de que estén instaladas las baterías, **(0000)** se mostrará en la pantalla LCD.



Mantenimiento:

- No limpie el temporizador con compuestos abrasivos o corrosivos. Si lo hace, puede rayar o corroer los circuitos electrónicos.
- No exponga el temporizador a fuerza excesiva, choque eléctrico, o polvo, ni lo exponga a temperaturas excesivas o a la humedad. Hacerlo puede provocar un funcionamiento defectuoso, una vida útil electrónica más corta, daños en la batería, o deformación de piezas.
- No toque los componentes internos del temporizador. Hacerlo anulará la garantía del temporizador y puede provocar daño innecesario en la batería y en las piezas internas.
- No exponga el temporizador a la luz solar directa o a la lluvia fuerte.
- No sumerja el temporizador en agua.

Para un mejor rendimiento, se recomienda colocar el temporizador en un lugar cubierto cuando no esté en uso.

RESOLUCIÓN DE PROBLEMAS

REVISAR	PROBLEMA	REMEDIO
El quemador lateral quema con una llama amarilla o anaranjada, conjuntamente con un olor a gas.	Inspeccione el quemador para verificar que no esté obstruido.	Limpie el quemador. (Vea la sección de "Mantenimiento".)
El quemador no enciende, o la llama está baja.	¿Está el tanque de propano licuado vacío o bajo de combustible?	Reemplace el tanque de propano licuado.
	¿Está doblada la manguera de combustible?	Enderece la manguera de combustible.
	¿Se enciende el quemador con un cerillo?	Si el quemador se enciende con un cerillo, entonces revise el sistema de ignición.
	¿Está debidamente ajustada la conexión de la manguera al tubo del quemador?	Conecte la manguera de gas al tubo quemador usando el clip retenedor provisto. ⚠ PELIGRO: No use el dispositivo de encendido del gas si está faltando el clip retenedor. Un clip retenedor faltante puede causar lesiones corporales serias o la muerte y daños materiales. Contacte a Atención al Cliente para obtener un clip retenedor de reemplazo.
El quemador produce llamas con un patrón errático.	¿Está limpio el quemador?	Limpie el quemador (Vea la sección de "Mantenimiento".)
El quemador no se enciende al pulsar el botón de encendido.	Asegúrese de que el gas fluya a los quemadores intentando encenderlos con un cerillo. Consulte el "ENCENDIDO MANUAL."	Si el encendido con un cerillo es exitoso, el problema está en el sistema de encendido. Consulte la "OPERACIÓN DEL SISTEMA DE ENCENDIDO ELECTRÓNICO."
	¿Está instalada una batería nueva?	Verifique que la batería esté en buen estado e instalada correctamente. Consulte la "INSPECCIÓN DEL ENCENDIDO ELECTRÓNICO."
	¿Están los cables correctamente conectados al módulo de encendido?	Asegúrese de que los cables estén debidamente insertados dentro de los terminales en el módulo de encendido. Consulte la "OPERACIÓN DEL SISTEMA DE ENCENDIDO ELECTRÓNICO."
	¿Hay una envoltura plástica alrededor de la batería nueva?	Quite la envoltura plástica.
El temporizador no funciona.	¿Están instaladas las baterías nuevas?	Corrobore que las baterías estén en buenas condiciones e instaladas correctamente. Remítase al "FUNCIONAMIENTO DEL TEMPORIZADOR".
La parte interna de la tapa pareciera estar "pelándose". (Se parece al desprendimiento de pintura.)	Lo que está viendo es grasa asada que se ha convertido en carbón y se está descascarando. ESTO NO ES UN DEFECTO.	Limpie a fondo. (Vea la sección "Limpieza".)

Si los problemas no pueden corregirse usando cualquiera de estos métodos, por favor contacte al Representante de Atención al Cliente en su área usando la información de contacto en nuestro sitio web. Conéctese a www.weber.com®.

MANTENIMIENTO

Después de un cierto tiempo sin uso, por su seguridad le recomendamos que lleve a cabo el siguiente procedimiento de mantenimiento.

- Inspeccione la manguera previo a cada uso de la barbacoa y asegúrese de que no tenga muescas, grietas, abrasiones o cortes. Si se encuentra que está inservible, no utilice la barbacoa. Reemplácela usando solamente piezas de repuesto autorizadas por Weber®. **Contacte al Representante de Atención al Cliente usando la información de contacto en nuestro sitio web.** Conéctese a www.weber.com®.

⚠ PRECAUCIÓN: Si la manguera de gas de la barbacoa está dañada por cualquier razón o tiene una fuga, no utilice la barbacoa.

- Inspeccione el quemador para asegurarse de que el patrón de la llama sea el correcto (consulte la sección "Patrón de la llama del quemador"). Si fuese necesario, límpielo de acuerdo a los procedimientos esbozados en esta sección.
- Revise todos los accesorios de la conexión de gas para asegurarse de que no haya fugas. Vea la sección, "Compruebe que no haya fugas de gas."

LIMPIEZA PERIÓDICA

Para retirar las cenizas del tazón, mueva la varilla de control **(1)** de lado a lado de manera que las hojas del regulador de aire barran las cenizas a través de los respiraderos del tazón al recolector de cenizas.

⚠ PRECAUCIÓN: Antes de limpiarla, asegúrese de que la barbacoa se haya enfriado y el quemador esté APAGADO.

Al limpiar, no agrande las ranuras del quemador.

Para limpiar el quemador:

- Limpie con un cepillo de alambre la parte externa del tubo quemador **(2)** y la sección de ranuras del quemador **(3)**.

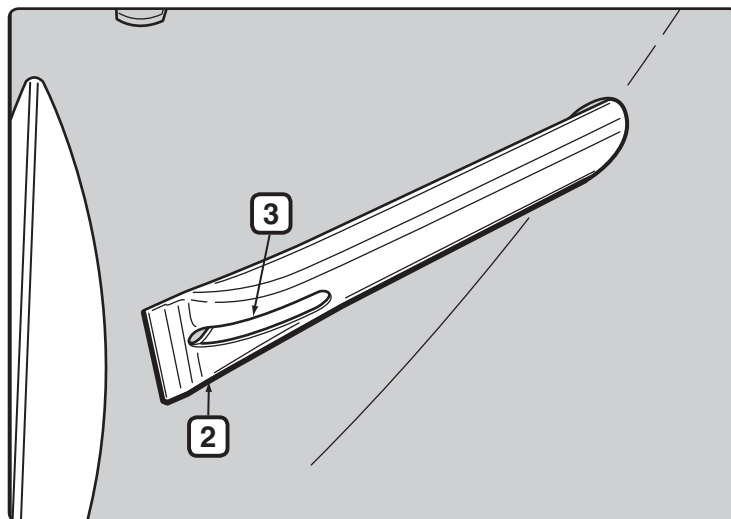
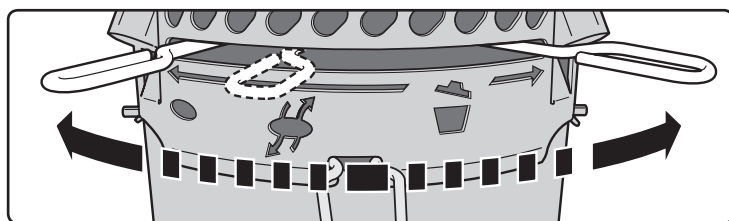
⚠ PRECAUCIÓN: Al limpiar, no agrande las ranuras del quemador o el orificio del gas.

Para limpiar el tazón:

- Mientras la tapa este tibia, limpie la parte interna con una toalla de papel para prevenir la acumulación de grasa.
- Para las superficies externas use una solución de agua jabonosa tibia y enjuague bien con agua limpia.

Para una limpieza más a fondo (que debe hacerse por lo menos una vez al año):

- Retire las cenizas una vez que los carbones se hayan extinguido completamente.
- Retire las rejillas y las canastas Char-Baskets™.
- Limpie con toallas de papel. Lave con un detergente suave y agua. Enjuague bien con agua limpia y seque con un trapo.



ALMACENAJE

- Cuando la parrilla Performer se almacena dentro de la casa, el suministro de gas debe desconectarse y el tanque de propano licuado debe almacenarse al aire libre en un espacio bien ventilado.
- Los tanques de propano licuado deben almacenarse al aire libre en un área bien ventilada fuera del alcance de los niños y no deben almacenarse en edificaciones, garajes o cualquier otra área cerrada.
- Tras un período de almacenaje y/o de estar sin uso, antes de usarse se debe revisar que la barbacoa no tenga fugas de gas o obstrucciones en el tubo quemador (vea la sección "Mantenimiento").
- Antes de poner en uso, verifique que en las áreas alrededor del tanque, la manguera y el ensamble del quemador no existan restos que pudieran obstruir el flujo de gas o de aire.

ALERTA RESPECTO A LOS INSECTOS

Su barbacoa Performer, al igual que cualquier otro aparato de gas al aire libre, es un blanco para las arañas y demás insectos. Estos pueden hacer su nido en la sección Venturi (1) del tubo quemador causando que el gas fluya hacia atrás por la válvula de aire.

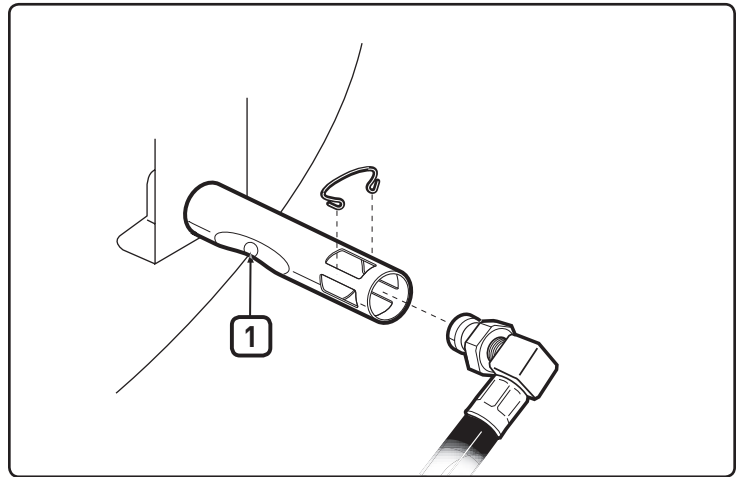
Esto pudiera resultar en un fuego en y alrededor del tubo quemador debajo del panel del tazón. Esto puede causar daños serios a su barbacoa, haciéndola insegura de operar.

Recomendamos muy seriamente que inspeccione y limpie el tubo quemador por lo menos una vez al año, o si cualesquiera de los siguientes síntomas ocurriesen:

- A) Olor a gas en conjunción con llamas del quemador con un apariencia muy amarilla y floja.
- B) El quemador hace un ruido "pop-pop"

⚠ PELIGRO

El no corregir estos síntomas podría resultar en un fuego que puede causar lesiones corporales serias o la muerte y daños a la propiedad.

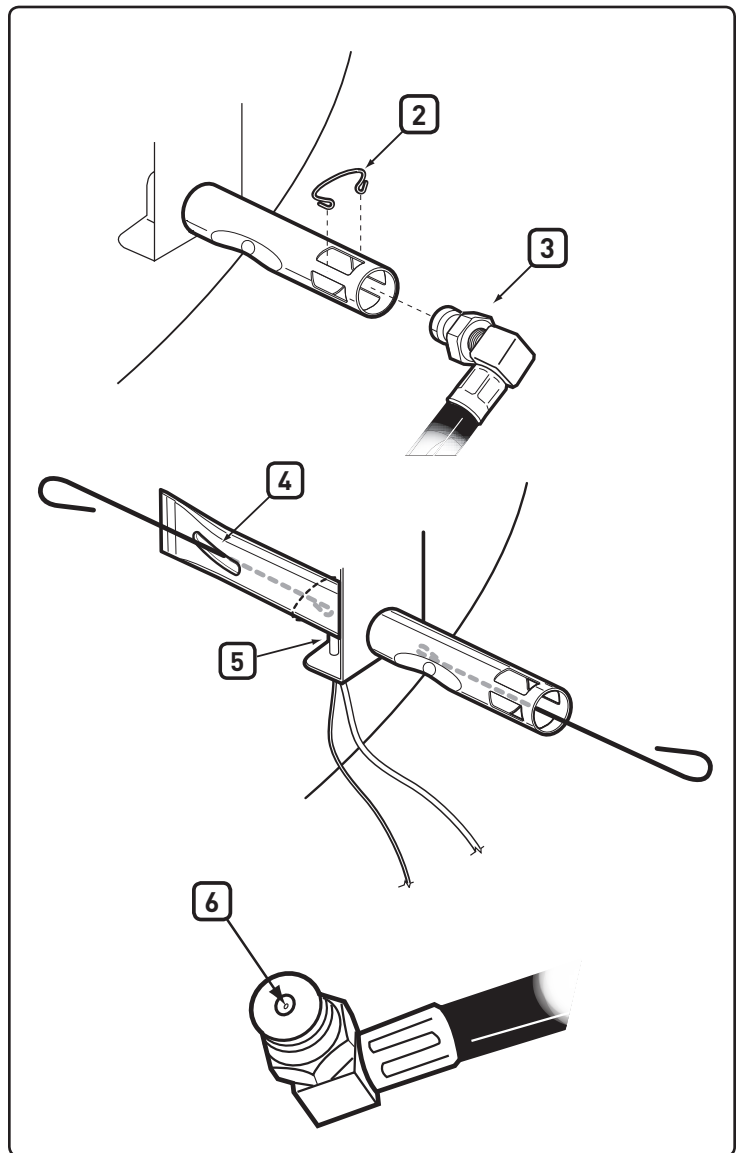


INSPECCIÓN Y LIMPIEZA DEL QUEMADOR

- A) Cerrar el suministro de gas.
- B) Retire el recipiente de almacenaje CharBin™.
- C) Retire el clip del orificio (2) y la conexión de la manguera (3) del tubo quemador.
- D) Revise la parte interna del quemador con una linterna.
- E) Limpie la parte interna del quemador con el portacerillos de alambre (proporcionado).
Use el alambre para limpiar el aire de la válvula de aire, la sección Venturi, y las ranuras del quemador (4) en la parte interna del tazón. Al insertar la herramienta de limpieza del quemador, tenga cuidado de no dañar el electrodo de encendido (5).
- F) Vuelva a revisar con una linterna que no haya obstrucciones.
- G) Si fuese necesario, la superficie de la conexión de la manguera puede limpiarse con un cepillo de alambre de latón. El orificio (6) puede limpiarse con un alfiler pequeño.

⚠ PRECAUCIÓN: Al limpiar, no agrande el orificio.

- H) Vuelva a ensamblar todo siguiendo los pasos B y C en orden inverso.

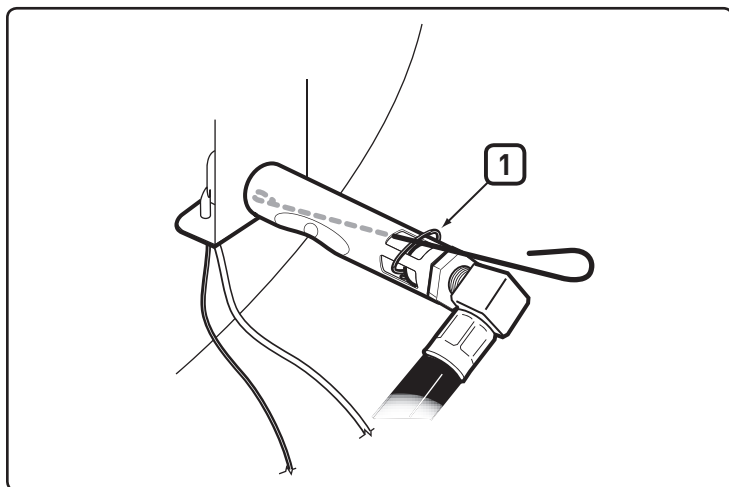


LIMPIEZA RÁPIDA PERIÓDICA

Le recomendamos que periódicamente cepille la parte exterior de las ranuras de los quemadores con un cepillo de alambre y limpie el tubo del quemador a través de la salida de aire de combustión con el portacerillos que hemos proporcionado.

Ubique las salidas del aire de combustión de los quemadores (1) debajo del soporte del tazón e inserte el portacerillos a través de cada salida de aire de combustión, haciendo girar la herramienta. Tenga cuidado de no dañar el electrodo de encendido al insertar el portacerillos.

⚠ PRECAUCIÓN: Es importante incrementar la frecuencia de este procedimiento de limpieza durante los meses de primavera y verano.

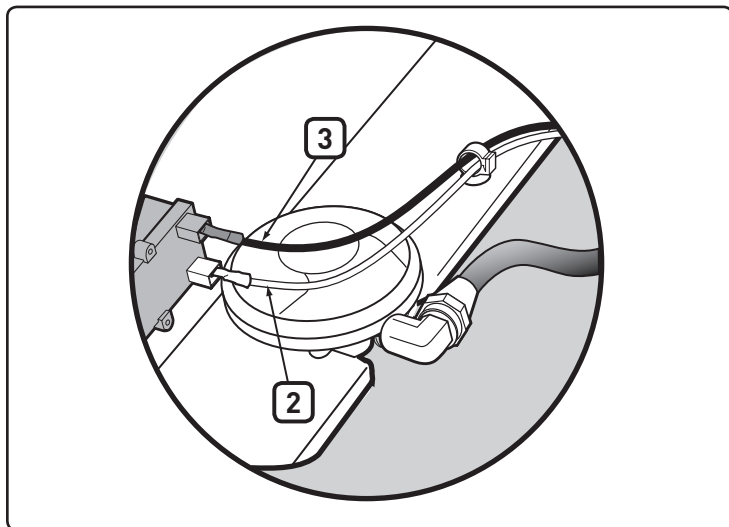


EINSPECCIÓN DEL ENCENDIDO ELECTRÓNICO

Si el Sistema de Encendido Electrónico fallase, asegúrese de que haya un flujo de gas intentando encender los quemadores con un cerillo. Consulte la sección "ENCENDIDO MANUAL." Si el encendido con un cerillo es exitoso, el problema está en el encendido electrónico.

⚠ ADVERTENCIA: La válvula de alimentación y de control del gas debe estar en la posición cerrada ("OFF").

- Verifique que la batería AAA (sólo alcalinas) esté en buen estado e instalada correctamente (1). Algunas baterías cuentan con un envoltorio protector de plástico alrededor de ellas. Este plástico debe quitarse. No confunda este plástico con la etiqueta de la batería.
- Compruebe que tanto el cable de ignición blanco (2) como el negro (3) estén correctamente conectados.
- Revise que el botón de encendido electrónico esté funcionando mediante la verificación visual y auditiva de que se estén generando chispas en el quemador.
- Revise que el encendedor no esté suelto en el bastidor. Apriételo si fuese necesario; consulte la sección "MONTAJE" para el procedimiento correcto.



Reemplace la Batería si Fuese Necesario

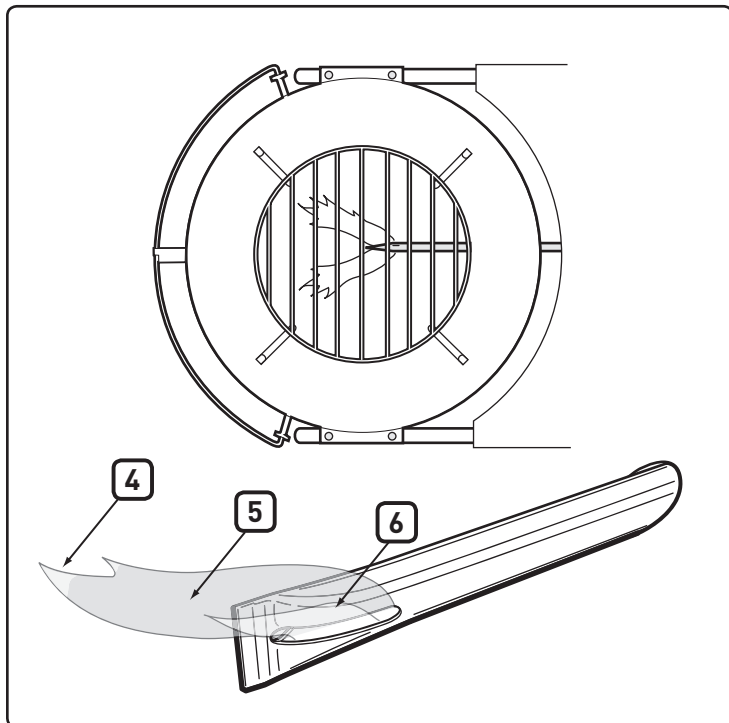
Use solamente baterías alcalinas AAA.

Si el sistema de encendido electrónico aún no logra encender el quemador, contacte al Representante de Servicios al Cliente en su área usando la información de contacto

en nuestro sitio web. Conéctese a www.weber.com. ♦

PATRÓN DE LA LLAMA DEL QUEMADOR

El quemador ha sido ajustado en la fábrica para la mezcla correcta de aire y gas. El patrón correcto de la llama debe tener puntas amarillentas (4), azul oscuro en el medio (5), y azul claro en el tubo quemador (6). Si las llamas no son como se muestra, o si se produjese un ruido "pop-pop", siga los procedimientos de limpieza del quemador.





PERFORMER® DELUXE

MODE D'EMPLOI DU GRILL À CHARBON DE BOIS

Assemblage - Pg 7

**VOUS DEVEZ LIRE LE PRESENT MODE
D'EMPLOI AVANT D'UTILISER VOTRE GRILL A
GAZ**

⚠ DANGER

Si vous sentez du gaz :

1. Fermez le gaz en direction de l'appareil.
2. Eteignez toute flamme nue.
3. Ouvrez le couvercle.
4. Si l'odeur persiste, restez éloigné de l'appareil et contactez immédiatement votre fournisseur de gaz ou les pompiers.

Une fuite de gaz peut provoquer un incendie ou une explosion qui pourrait provoquer des blessures graves voire un décès, ou des dégâts matériels.

NOTE POUR L'INSTALLATEUR : Les présentes instructions doivent être remises au propriétaire et le propriétaire devrait les conserver pour une utilisation ultérieure.

**CET APPAREIL A GAZ EST CONCU POUR UNE
UTILISATION EN EXTERIEUR UNIQUEMENT.**

⚠ MISE EN GARDE

1. Ne conservez pas une bouteille de propane liquide de recharge à moins de 10 pieds (3 m) de cet appareil.
2. Ne rangez pas ou n'utilisez pas d'essence ou d'autres liquides ou vapeurs inflammables à moins de 25 pieds (8 m) de cet appareil.

⚠ MISE EN GARDE : Suivez toutes les procédures de détection des fuites de ce manuel avec prudence avant d'utiliser le barbecue. Faites-le même si le barbecue a été assemblé par le revendeur.

⚠ MISE EN GARDE : N'essayez pas d'allumer cet appareil sans avoir lu la section de ce manuel consacrée aux consignes pour "l'Allumage".

⚠ Le non respect des présentes consignes pourrait provoquer un incendie ou une explosion susceptibles de provoquer des dégâts matériels, des blessures voire un décès.

DANGERS ET MISES EN GARDE

LE NON-RESPECT DE L'ÉNONCÉ DES DANGERS, DES AVERTISSEMENTS ET DES MISES EN GARDE CI-DESSOUS PEUT ENTRAÎNER DE GRAVES DOMMAGES CORPORELS OU LA MORT, MAIS AUSSI DES DOMMAGES MATÉRIELS EN CAS D'INCENDIE OU D'EXPLOSION.

- ⚠ Des SYMBOLES DE SÉCURITÉ (⚠) vous signaleront des consignes de SÉCURITÉ essentielles.
- ⚠ Les mots DANGER, AVERTISSEMENT ou MISE EN GARDE seront utilisés conjointement à ces SYMBOLES DE SÉCURITÉ.
- ⚠ DANGER fait référence au plus haut niveau de risque.
- ⚠ Veuillez lire toutes les consignes de sécurité contenues dans ce guide du propriétaire avant d'utiliser votre barbecue.

⚠ DANGERS

- ⚠ N'utilisez pas ce barbecue si une construction inflammable se trouve au-dessus de votre tête.
- ⚠ Un assemblage défectueux peut s'avérer dangereux. Veuillez suivre les instructions d'assemblage qui figurent dans ce manuel. N'utilisez pas le barbecue si toutes les pièces ne sont pas en place. Avant d'allumer le barbecue, assurez-vous que le réceptacle à cendres est correctement fixé aux pieds, en dessous du bol du barbecue, ou que le réceptacle à cendres de grande capacité est en place.
- ⚠ Ne placez jamais de matériaux combustibles à moins de 24 pouces (60 cm) du haut, du fond, de l'arrière ou des côtés du barbecue.
- ⚠ Ne vous penchez jamais au-dessus du barbecue lorsque vous allumez le brûleur à gaz.
- ⚠ Ne vous servez pas du barbecue par vents forts.
- ⚠ N'utilisez pas le barbecue si vous constatez une fuite de gaz.
- ⚠ N'utilisez pas de flamme pour vérifier si une fuite de gaz est présente.
- ⚠ À quelque moment que ce soit, si le brûleur s'éteint pendant le fonctionnement, fermez le robinet du réservoir. Enlevez le couvercle et attendez cinq minutes avant de rallumer le brûleur, en suivant les instructions d'allumage qui figurent dans ce manuel.
- ⚠ N'essayez pas de déconnecter le régulateur de pression de gaz du réservoir ou de toute autre installation au gaz pendant que le barbecue fonctionne.
- ⚠ Utilisez uniquement le régulateur de pression de propane liquide fourni avec votre barbecue.

⚠ AVERTISSEMENTS

- ⚠ Ne stockez pas un réservoir de propane liquide déconnecté ou de recharge près du barbecue ou en dessous.
- ⚠ Maintenez toujours le barbecue sur une surface sécurisée et plane, sans matériaux combustibles à proximité.
- ⚠ Ne placez pas de housse ni d'objets inflammables sur ou dans la zone de rangement située sous le barbecue.
- ⚠ Enlevez toujours le couvercle avant d'allumer le brûleur à gaz manuellement ou à l'aide de l'allumeur. Le couvercle ne doit pas être remis en place tant que le charbon de bois n'est pas complètement en feu.
- ⚠ Utilisez des accessoires à barbecue appropriés, munis de longues poignées qui résistent à la chaleur.
- ⚠ Certains modèles sont équipés du support de couvercle Tuck-Away™. Le support Tuck-Away™ permet de ranger le couvercle pendant que vous vérifiez ou retournez vos aliments. Ne vous servez pas du support de couvercle Tuck-Away™ comme poignée pour soulever ou déplacer le barbecue. Ne placez pas un couvercle chaud sur un sol en moquette ou sur de l'herbe. Ne suspendez pas le couvercle à la poignée du bol.
- ⚠ Manipulez et rangez prudemment les démarreurs électriques chauds.
- ⚠ Maintenez les câbles et cordons électriques à distance des surfaces chaudes du barbecue et hors des endroits à fort passage.
- ⚠ Après une période de stockage et/ou de non-utilisation, recherchez toute fuite de gaz et obstruction du brûleur avant de vous servir du barbecue. Reportez-vous aux instructions qui figurent dans ce manuel pour appliquer les bonnes procédures.
- ⚠ Une transformation de ce barbecue ou son utilisation avec du gaz naturel sont dangereuses et annuleront votre garantie.
- ⚠ Un réservoir de propane liquide cabossé ou rouillé peut s'avérer dangereux et doit être vérifié par votre fournisseur de propane liquide. Ne vous servez pas d'un réservoir de propane liquide dont le robinet est endommagé.
- ⚠ Même si votre réservoir de propane liquide semble vide, il se peut qu'il contienne encore du gaz. Il doit être transporté et stocké en conséquence.
- ⚠ AVERTISSEMENT RELATIF À LA PROPOSITION 65 : la manipulation du laiton contenu dans ce produit vous expose au plomb, un produit chimique reconnu par l'État de Californie pour causer cancer, malformations à la naissance et autres dommages au niveau reproductif. Lavez-vous les mains après avoir manipulé ce produit.
- ⚠ Si vous voyez, sentez ou entendez que du gaz s'échappe du réservoir de propane liquide :
 1. Éloignez-vous du réservoir de propane liquide.
 2. Ne tentez pas de régler le problème vous-même.
 3. Communiquez avec votre service d'incendie.

⚠ MISES EN GARDE

- ⚠ Doubler le bol d'une feuille d'aluminium causera l'obstruction du flux d'air. Utilisez plutôt une cuvette de propreté pour récupérer la graisse qui s'échappe de la viande lorsque vous cuisez par la méthode indirecte.
- ⚠ L'utilisation d'objets tranchants pour nettoyer la grille de cuisson ou retirer les cendres causera des dommages à la finition.
- ⚠ L'utilisation de nettoyants abrasifs sur les grilles de cuisson ou le barbecue lui-même causera des dommages à la finition.
- ⚠ Le barbecue doit être nettoyé minutieusement de façon régulière.

GARANTIE

Merci d'avoir acheté un produit Weber®. Weber-Stephen Products LLC, 200 East Daniels Road, Palatine, Illinois 60067-6266 ("Weber") sont fiers d'offrir un produit sécuritaire, durable et fiable.

Celle-ci est la garantie volontaire de Weber qui vous est fournie sans frais supplémentaires. Elle contient les informations que vous aurez besoin d'avoir pour faire réparer le produit WEBER® dans le cas improbable d'une panne ou de défaillance.

Conformément aux lois applicables, le client dispose de plusieurs droits au cas où le produit serait défectueux. Ces droits comprennent le rendement supplémentaire ou le remplacement, la réduction du prix d'achat et une rémunération. Dans l'Union européenne, par exemple, ce serait une garantie légale de deux ans à compter de la date de la remise du produit. Ces droits légaux et d'autres ne sont pas affectés par cette disposition de la garantie. En fait, cette garantie accorde des droits supplémentaires au propriétaire qui sont indépendants des dispositions légales de la garantie.

GARANTIE LÉGALE DE WEBER

Weber fournit à l'acheteur original du produit WEBER® (ou dans le cas d'un cadeau ou d'une situation promotionnel, la personne pour laquelle il a été acheté comme cadeau ou article promotionnel), que le produit WEBER® est exempt de défauts de matériaux et de fabrication pour la ou les périodes de temps spécifiées ci-dessous lorsqu'il est assemblé et utilisé conformément au Guide du propriétaire qui l'accompagne. (Remarque : Si vous perdez ou égarez votre Guide du propriétaire WEBER®, un remplacement est disponible en ligne à www.weber.com ou le site spécifique au pays auquel le propriétaire peut être redirigé.) Lorsque l'appareil est utilisé et entretenu de façon normale dans une maison privée unifamiliale ou un appartement, Weber s'engage à réparer ou remplacer les pièces défectueuses dans les délais, limitations et exclusions applicables énumérées ci-dessous. SELON CE QUI EST PERMIS PAR LA LOI APPLICABLE, CETTE GARANTIE S'APPLIQUE UNIQUEMENT À L'ACHETEUR ORIGINAL ET N'EST PAS TRANSFÉRABLE À DES PROPRIÉTAIRES ULTÉRIEURS, SAUF DANS LE CAS DE CADEAUX ET D'ARTICLES PROMOTIONNELS COMME INDIQUÉ PLUS HAUT.

RESPONSABILITÉS DU PROPRIÉTAIRE EN VERTU DE CETTE GARANTIE

Pour assurer une couverture de garantie sans problème, il est important (mais il n'est pas nécessaire) que vous enregistrez votre produit WEBER® en ligne à www.weber.com ou au site spécifique au pays auquel le propriétaire peut être redirigé). S'il vous plaît, conservez également votre bon d'achat et/ou la facture original. L'enregistrement de votre produit WEBER® confirme la couverture de votre garantie et fournit un lien direct entre vous et Weber au cas où nous devrions vous contacter.

La garantie ci-dessus ne s'applique que si le propriétaire prend soin du produit WEBER® en suivant les instructions d'assemblage, d'utilisation et d'entretien préventif, comme indiqué dans le Guide du propriétaire qui l'accompagne, à moins que le propriétaire puisse prouver que le défaut ou la défaillance est indépendante du non-respect des obligations mentionnées ci-dessus. Si vous habitez dans une zone côtière, où que votre produit est situé près d'une piscine, l'entretien régulier comprend le lavage et le rinçage des surfaces extérieures comme indiqué dans le Guide du propriétaire l'accompagnant.

MANIPULATION SOUS GARANTIE / EXCLUSION DE GARANTIE

Si vous croyez que vous avez une pièce qui est couverte par cette garantie, s'il vous plaît contacter le Service à la clientèle de Weber en utilisant les informations de contact sur notre site web (www.weber.com ou sur le site spécifique au pays auquel le propriétaire peut être redirigé). Weber, après enquête, réparera ou remplacera (à sa discrétion) la pièce défectueuse couverte par cette garantie. Dans le cas où la réparation ou le remplacement ne sont pas possibles, Weber peut choisir (à sa discrétion) de remplacer le barbecue en question par un nouveau barbecue de valeur égale ou supérieure. Weber peut vous demander de retourner les pièces pour l'inspection, frais d'expédition payés d'avance.

Cette GARANTIE devient caduque si il y a des dommages, détériorations, décolorations, et/ou de la rouille pour laquelle Weber n'est pas responsable causée par :

- L'abus, le mauvais usage, la modification, la mauvaise application, le vandalisme, la négligence, le montage ou l'installation incorrecte, et la négligence d'effectuer correctement l'entretien normal/routinier;

- Les insectes (comme les araignées) et les rongeurs (comme les écureuils), y compris mais non limité aux dommages causés aux tubes du brûleur et/ou aux canalisations de gaz ;
- L'exposition à l'air salin et/ou aux sources de chlore telles que les piscines et les cuves thermales/Spas ;
- Conditions météorologiques extrêmes comme la grêle, les ouragans, les tremblements de terre, les tsunamis ou les marées de tempête, les tornades et les tempêtes sévères.

L'utilisation et/ou l'installation de pièces sur votre produit WEBER® qui ne sont pas des pièces d'origine Weber annulera cette garantie, et les dommages qui en résultent ne sont pas couverts par cette garantie. Toute conversion d'un barbecue à gaz qui n'est ni autorisée par Weber et ni effectuée par un technicien agréé Weber annulera cette garantie.

PÉRIODES DE GARANTIE DU PRODUIT

Cuisson/grille foyer : 2 ans contre la perforation par rouille/brûlage

Système de nettoyage One-Touch™ : 5 ans contre la perforation par rouille/brûlage

Bol, couvercle et anneau central : 10 ans contre la perforation par rouille/brûlage

Composants en plastique : 5 ans, excluant la dégradation ou la décoloration

Toutes les autres pièces : 2 ans

EXCLUSIONS

EN DEHORS DE LA GARANTIE ET DES EXCLUSIONS COMME DÉCRIT DANS CETTE DÉCLARATION DE GARANTIE, IL N'Y A AUCUNE AUTRE GARANTIE EXPLICITE OU DÉCLARATION VOLONTAIRE DE RESPONSABILITÉ DONNÉE ICI QUI DÉPASSENT LA RESPONSABILITÉ LÉGALE APPLICABLE À WEBER. AUSSI, CETTE DÉCLARATION DE GARANTIE NE LIMITE PAS OU N'EXCLUE PAS LES SITUATIONS OU RÉCLAMATIONS POUR LESQUELLES WEBER A UN RESPONSABILITÉ IMPÉRATIVE PRESCRITE PAR LA LOI.

AUCUNE GARANTIE NE S'APPLIQUE APRÈS LES PÉRIODES APPLICABLES DE LA PRÉSENTE GARANTIE. AUCUNES AUTRES GARANTIES ACCORDÉES PAR TOUTES PERSONNES OU ENTITÉS, Y COMPRIS UN CONCESSIONNAIRE OU DÉTAILLANT CONCERNANT LES PRODUITS (COMME TOUTES « GARANTIES PROLONGÉES »), NE LIENT WEBER. LE SEUL RECOURS DE CETTE GARANTIE EST LA RÉPARATION OU LE REMPLACEMENT DE LA PIÈCE OU DU PRODUIT.

EN AUCUN CAS LA RECOUVREMENT DE QUELQUE NATURE QUE CE SOIT NE SERA PLUS GRAND QUE LE MONTANT DU PRIX D'ACHAT DU PRODUIT QUE WEBER VOUS A VENDU.

VOUS ASSUMEZ LES RISQUES ET RESPONSABILITÉS POUR LA PERTE, LES DOMMAGES OU LES BLESSURES À VOUS ET VOTRE PROPRIÉTÉ ET/OU AUX AUTRES ET À LEURS BIENS DU FAIT DE L'UTILISATION INCORRECTE OU ABUSIF DU PRODUIT OU LA NÉGLIGENCE DE SUIVRE LES INSTRUCTIONS FOURNIES PAR WEBER DANS LE GUIDE DU PROPRIÉTAIRE L'ACCOMPAGNANT.

LES PIÈCES ET ACCESSOIRES REMPLACÉS SOUS CETTE GARANTIE SONT GARANTIS POUR LA BALANCE DE LA OU DES PÉRIODES DE GARANTIES INITIALES.

CETTE GARANTIE S'APPLIQUE À L'UTILISATION DANS UNE MAISON PRIVÉE OU EN APPARTEMENT SEULEMENT ET NE COUVRE PAS LES BARBECUES WEBER DANS LES ÉTABLISSEMENTS COMMERCIAUX, COMMUNAUTAIRES OU EMBLEMES MULTIPLES TELS QUE LES RESTAURANTS, LES HÔTELS, CLUBS OU IMMEUBLES LOCATIFS.

WEBER PEUT DE TEMPS EN TEMPS MODIFIER LA CONCEPTION DE SES PRODUITS. RIEN DANS CE GARANTIE NE SERA INTERPRÉTÉ COMME UNE OBLIGATION POUR WEBER D'INTÉGRER LES MODIFICATIONS DE CONCEPTIONS AUX PRODUITS FABRIQUÉS ANTÉRIEUREMENT, ET AUCUNE DE CES MODIFICATIONS NE SERA CONSIDÉRÉE COMME UNE ADMISSION QUE LES CONCEPTIONS PRÉCÉDENTES ÉTAIENT DÉFECTUEUSES.

WEBER-STEPHEN PRODUCTS LLC

Centre de service clientèle
2900 Golf Road
Rolling Meadows, IL 60008
U.S.A.

GENERALITES

- Les présentes instructions vous fourniront les exigences minimales pour l'assemblage de votre barbecue à gaz Weber®. Veuillez lire ces instructions avec attention avant d'utiliser votre barbecue à gaz Weber®. Un assemblage incorrect peut se révéler dangereux.
- Ne convient pas pour une utilisation par des enfants.
- L'installation doit être en conformité par rapport aux codes régionaux ou, en l'absence de codes régionaux, avec le Code national sur le gaz combustible, ANSI Z223.1/NFPA 54, Stockage et manipulation du gaz pétrole liquide, ANSI/NFPA 58 ; ou CSA B149.1, Code des installations au gaz naturel et propane.
- Le régulateur de pression fourni avec le barbecue à gaz Weber® doit être utilisé. Ce régulateur est réglé pour 11 pouces de colonne d'eau (pression).
- Ce barbecue à gaz Weber® est conçu pour une utilisation avec du gaz propane liquide (PL) uniquement. Ne l'utilisez pas avec du gaz naturel (gaz de ville). Les valves, les orifices, le tuyau et le régulateur sont conçus pour le gaz PL uniquement.
- Cet appareil n'est pas conçu pour une utilisation commerciale.
- Les zones situées autour de la bouteille de PL doivent être dégagées et ne comporter aucun débris.
- Les régulateurs de pression et des assemblages de tuyaux de recharge doivent être ceux spécifiés par le fabricant de l'appareil de cuisson en extérieur.
- Placez les bouchons de protection contre la poussière sur les sorties de la valve de la bouteille lorsque vous n'utilisez pas la bouteille.
- Déconnecter le cylindre si : 1) il est vide; 2) le barbecue est entreposé dans un garage ou un autre endroit fermé; 3) on transporte le barbecue; 4) le barbecue n'est pas utilisé.

- ⚠ **Ne déplacez pas l'appareil pendant son utilisation. Laissez le grill refroidir avant de le déplacer.**
- ⚠ **Cet appareil n'est pas conçu pour et ne devrait jamais être utilisé en tant qu'appareil de chauffage.**
- ⚠ **Lorsque vous cuisinez, l'appareil doit se trouver sur une surface plane et stable dans une zone dégagée de tout matériau inflammable.**

INFORMATION IMPORTANTE CONCERNANT LA BOUTEILLE

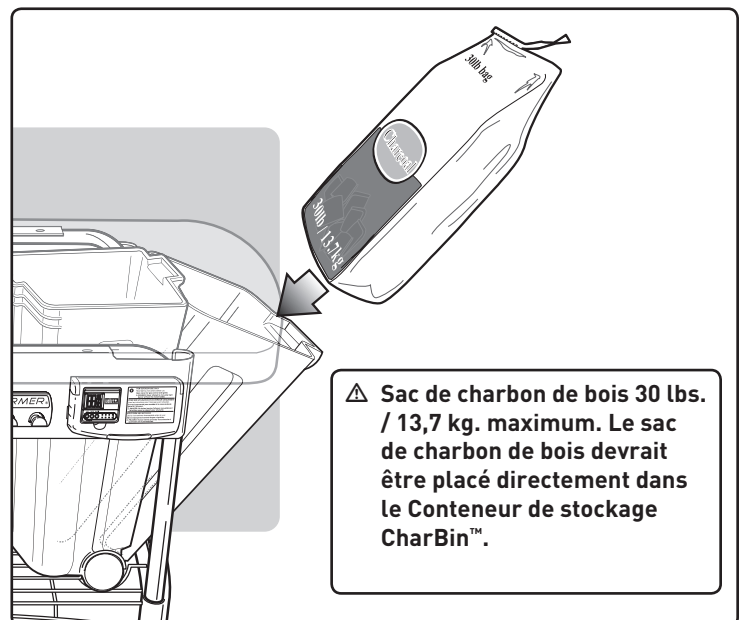
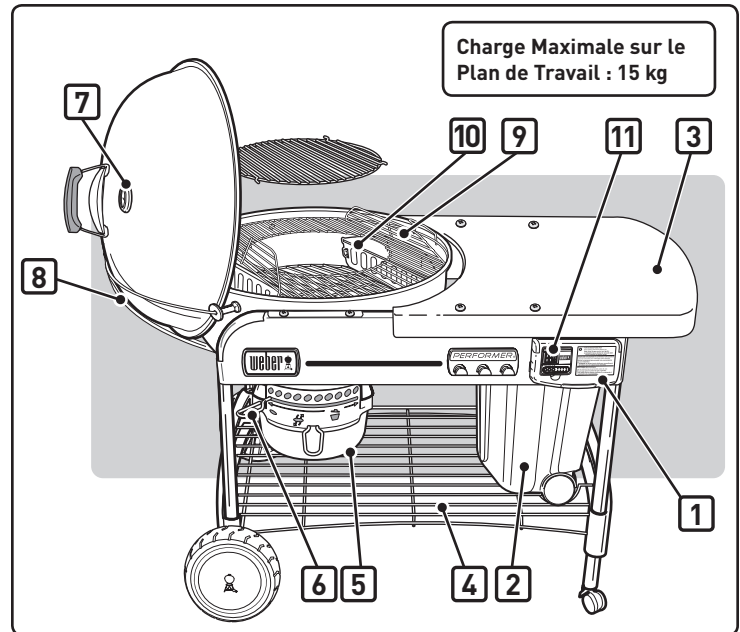
- ⚠ **Ne rangez JAMAIS une Bouteille de PL de recharge sous ou à proximité de ce barbecue.**

Remarque : Votre grille à gaz Weber® est équipé pour un système d'alimentation par bouteille de gaz conçu pour l'élimination des émanations.

- La bouteille d'alimentation PL qui doit être utilisée doit être fabriquée et marquée conformément aux spécifications pour les bouteilles de gaz PL du ministère des Transports des Etats-Unis (Department of Transportation - D.O.T.) ou de la Norme nationale pour le Canada, CAN/CSA-B339, Bouteilles, sphères et tubes pour le transport des matières dangereuses.

CARACTÉRISTIQUES :

- A) Système exclusif de mise à feu Touch-N-Go™ à gaz qui libère des tracas liés à l'allumage des briquettes de charbon (1). Il vous suffit d'appuyer sur le bouton et de le relâcher pour que le brûleur à gaz du système s'allume et amorce le charbon de bois pour vous. Aucun liquide d'allumage dangereux à utiliser ou à stocker, et plus aucun arrière-goût lié à ces liquides.
- B) Le conteneur de stockage CharBin™ peut contenir un sac de charbon de bois d'un poids maximal de 30 lb/13,7 kg (2). Le sac de charbon de bois doit être placé directement dans le conteneur de stockage CharBin™.
- C) La surface métallique constitue un plan de travail idéal et recouvre le conteneur de stockage CharBin™, afin de maintenir les briquettes au sec (3).
- D) Grille de rangement très pratique en bas du barbecue (4).
- E) Une fois bien en place, le réceptacle à cendres de grande capacité évite que les cendres s'envolent (5).
- F) Le système de nettoyage One-Touch™ permet de se débarrasser des cendres ou d'ouvrir et fermer les événements très facilement (6).
- G) Le thermomètre surveille la température de cuisson à l'intérieur du barbecue (7).
- H) Le couvercle Tuck-Away™ coulisse vers l'arrière dans le support de couvercle en acier inoxydable et agit comme écran de protection contre le vent lors de l'allumage des briquettes (8).
- I) La grille de cuisson à charnières Weber Original™ Gourmet BBQ System™ (GBS™), (9), et les volets d'accès rabattables sur la grille de cuisson permettent le rajout aisé de briquettes ou de copeaux de bois pendant la cuisson. Comprend un insert pour un usage quotidien. S'adapte à toute la gamme d'accessoires Gourmet BBQ System™.
- J) Les réceptacles à combustible pour charbon de bois Char-Basket™ permettent une souplesse de cuisson indirecte et concentrée directe au bois ou au charbon de bois (10).
- K) Minuteur numérique de cuisson (11).



FIXEZ LA BOUTEILLE DE PROPANE

Utilisez des bouteilles de propane jetable avec une contenance de 14,1 oz. ou 16,4 oz. équipées d'un raccord CGA N° 600.

⚠ ATTENTION : Utilisez des bouteilles portant la mention "Combustible propane" uniquement.

Enfoncez la bouteille de propane dans le régulateur et tournez dans le sens des aiguilles d'une montre jusqu'à ce que cela soit serré.

⚠ MISE EN GARDE : Serrez à la main uniquement. L'utilisation d'une force excessive pourrait détériorer le couplage du régulateur et pourrait provoquer une fuite.

DETECTEZ LES FUITES DE GAZ :

⚠ DANGER

N'utilisez pas une flamme nue pour détecter les fuites de gaz. Assurez-vous de l'absence d'étincelles ou de flammes nues dans la zone où vous détectez les fuites. Des étincelles ou des flammes provoqueraient un incendie ou une explosion susceptible de provoquer des blessures graves voire un décès ainsi que des dégâts matériels.

A) Raccord entre le régulateur et la bouteille de propane.

⚠ MISE EN GARDE : En cas de fuite au niveau du raccord (1), retirez la bouteille de propane en tournant dans le sens inverse des aiguilles d'une montre. N'utilisez pas le grill. Utilisez une bouteille de propane différente puis détectez à nouveau les fuites à l'aide d'une solution d'eau savonneuse. Si une fuite persiste une fois que vous avez resserré la bouteille de propane, fermez le gaz (OFF). N'UTILISEZ PAS LE GRILL. Contactez le Représentant du service clientèle de votre région à l'aide des coordonnées à votre disposition sur notre site Internet. Connectez-vous sur www.weber.com®.

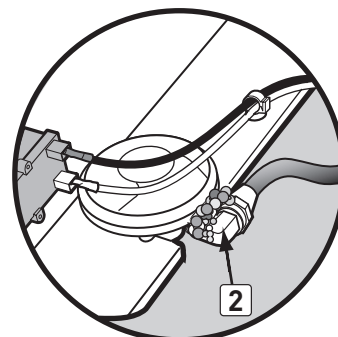
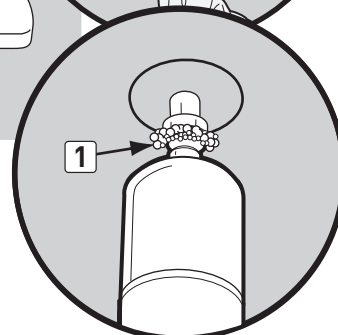
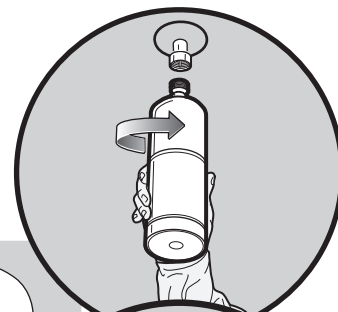
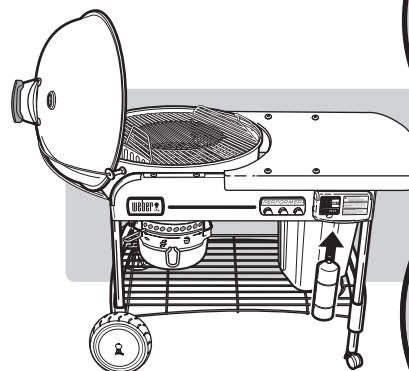
B) Raccords entre le régulateur et le tuyau.

⚠ MISE EN GARDE : En cas de fuite au niveau du raccord (2) fermez le gaz (OFF). N'UTILISEZ PAS LE GRILL. Contactez le Représentant du Service clientèle de votre région à l'aide des coordonnées à votre disposition sur notre site Internet. Connectez-vous sur www.weber.com®.

Une fois que vous avez terminé la détection des fuites, fermez l'arrivée de gaz (OFF) à la source puis rincez les raccords à l'eau.

⚠ DANGER

Ne rangez pas une bouteille de gaz PL de rechange au-dessous ou à proximité de cet appareil.



ALLUMAGE

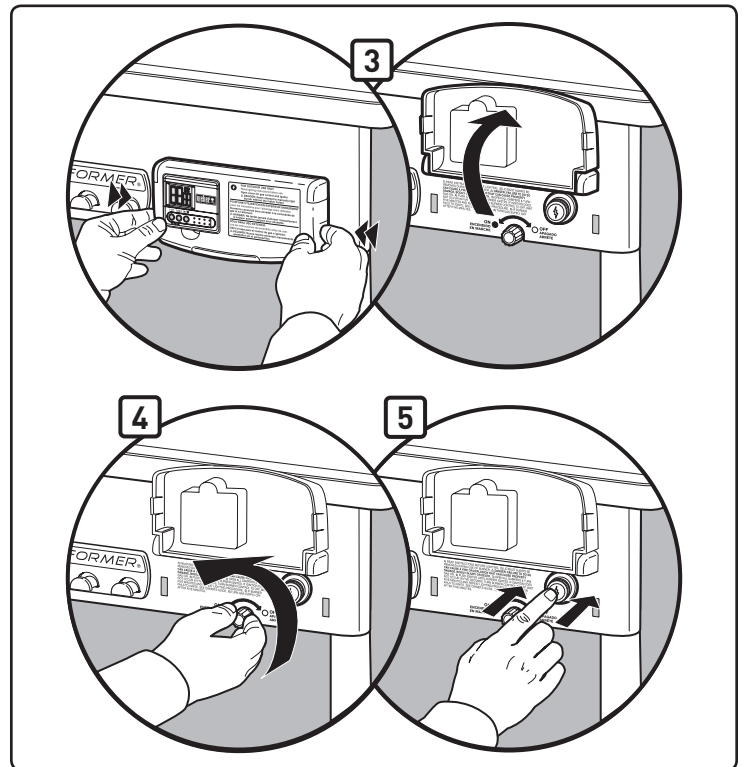
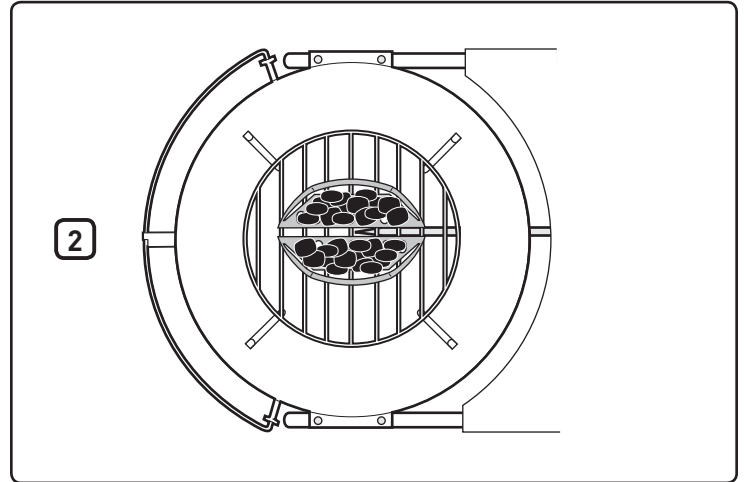
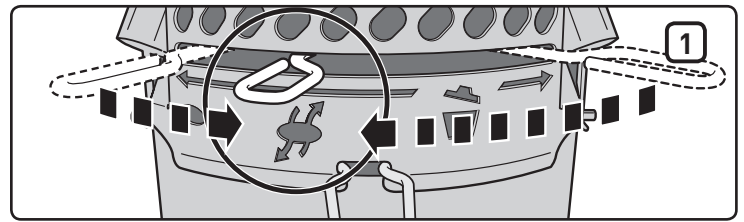
⚠ DANGER

Ouvrez le couvercle avant de procéder à l'allumage. N'utilisez aucun liquide inflammable comme du fluide de démarrage, de l'essence, de l'alcool ou toute forme de charbon de bois qui s'allume tout seul à aucun moment, y compris pendant l'allumage manuel. Le non respect de cette consigne risque de provoquer des blessures graves voire la mort.

- A) Retirez le couvercle du grill avant d'utiliser la fonctionnalité gaz.
- ⚠ **DANGER : Le non respect de cette consigne peut provoquer une accumulation de gaz susceptible d'entraîner un incendie ou une explosion qui pourraient provoquer des blessures ou un décès, ou des dégâts matériels.**
- B) Ouvrez les registres au fond de la cuve (1).
- C) Positionnez les paniers Char-Baskets™ au-dessus du brûleur (2).
- D) Enfoncez les languettes sur le couvercle de la commande du gaz (3) et soulevez pour l'ouvrir.
- E) Ouvrez l'arrivée de gaz (sens inverse des aiguilles d'une montre) au moins un tour complet (4).
- ⚠ **MISE EN GARDE : Ne vous penchez pas au-dessus d'un barbecue ouvert pendant que vous l'allumez.**
- F) Maintenez le bouton d'allumage enfoncé jusqu'à ce que le brûleur s'allume (5).
- ⚠ **ATTENTION : Il peut être difficile de voir la flamme par une journée ensoleillée.**
- G) Une fois que le charbon de bois est allumé (après environ 5 minutes), positionnez la commande de gaz sur OFF (sens des aiguilles d'une montre) jusqu'à ce que la valve soit fermée.
- ⚠ **ATTENTION : Assurez-vous que le couvercle est fermé complètement.**
- Remarque - Une durée d'utilisation de la bouteille prolongée diminue la durée de vie de la bouteille de gaz.*
- H) Vous pouvez commencer à cuisiner lorsque les briquettes sont légèrement couvertes de cendres grises (environ 25-30 minutes).

POUR ÉTEINDRE

Tournez le bouton de commande du gaz sur OFF (sens des aiguilles d'une montre) jusqu'à ce que la valve soit fermée.



ALLUMAGE MANUEL

⚠ **MISE EN GARDE** : Ne tentez pas de procéder à un allumage manuel sans utiliser le porte-allumette.

⚠ DANGER

Ouvrez le couvercle avant de procéder à l'allumage. N'utilisez aucun liquide inflammable comme du fluide de démarrage, du pétrole, de l'alcool ou toute autre forme de charbon de bois qui s'allume tout seul à aucun moment, notamment pendant l'allumage manuel. Le non respect de cette consigne risquerait de provoquer des blessures graves voire un décès.

A) Retirez le couvercle du grill avant d'utiliser la fonctionnalité d'allumage au gaz.

⚠ **DANGER** : Le non respect de cette consigne risque de provoquer une accumulation de gaz susceptible de provoquer un incendie ou une explosion qui pourraient provoquer des blessures graves voire un décès, ou des dégâts matériels.

B) Ouvrez les registres en bas de la cuve (1).

C) Eloignez les paniers Char-Baskets™ du brûleur (2).

D) Enfoncez les languettes sur le couvercle de la commande du gaz (3) et soulevez pour l'ouvrir.

E) Placez une allumette dans le porte-allumette. Allumez l'allumette.

F) Ouvrez l'arrivée de gaz (sens inverse des aiguilles d'une montre) en faisant au moins un tour complet (4).

G) Positionnez la flamme de l'allumette à l'arrière de la fente du brûleur (5).

⚠ **MISE EN GARDE** : Ne tenez pas la main directement au-dessus du brûleur pendant l'allumage manuel.

⚠ **MISE EN GARDE** : Ne vous penchez pas au-dessus d'un barbecue ouvert pendant que vous l'allumez.

⚠ **ATTENTION** : Il peut être difficile de voir la flamme par une journée ensoleillée.

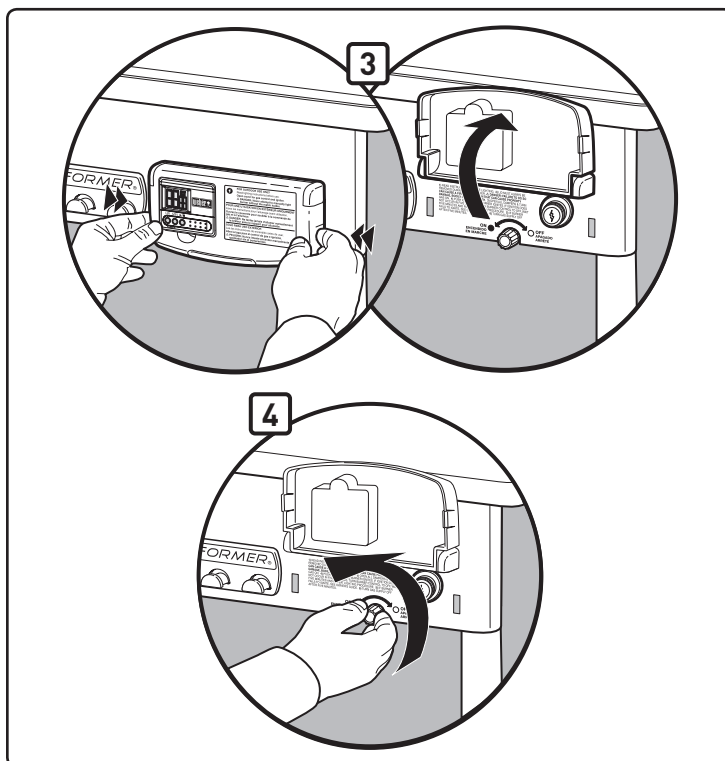
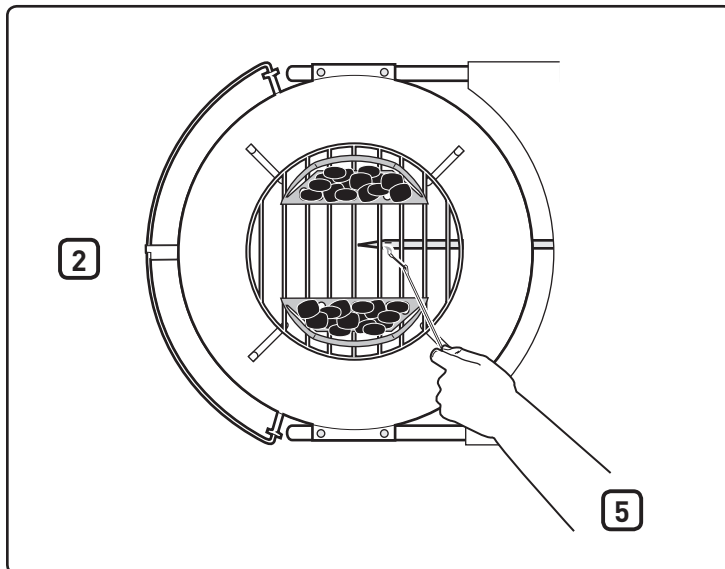
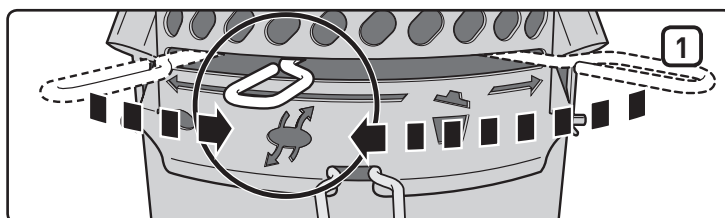
H) Portez des gants pour barbecue et utilisez des pinces pour repositionner les paniers Char-Baskets™ sur le brûleur.

I) Une fois que le charbon de bois est allumé, (environ 5 minutes), positionnez la commande de gaz sur OFF (sens des aiguilles d'une montre) jusqu'à ce que le gaz soit fermé.

J) Vous pouvez commencer à cuisiner lorsque les briquettes sont légèrement recouvertes de cendres grises (environ 25-30 minutes).

POUR ÉTEINDRE

Positionnez le bouton de commande du gaz sur OFF (sens des aiguilles d'une montre) jusqu'à ce que la valve soit fermée.



FONCTIONNEMENT DU MINUTEUR

Ce minuteur numérique de cuisson résiste à l'eau et permet d'effectuer un compte progressif et à rebours en heures, minutes et secondes.

Pour définir un compte à rebours :

- Appuyez sur le bouton **Start/Stop (Marche/Arrêt)**: ► / ■ pour activer le rétroéclairage.
- Appuyez sur le bouton **HR (1)** pour définir le nombre d'heures. Maintenez le bouton enfoncé pour accélérer le défilement des chiffres (réglage maximal : 99 heures) (4).
- Appuyez sur le bouton **MIN (2)** pour définir le nombre de minutes. Maintenez le bouton enfoncé pour accélérer le défilement des chiffres (réglage maximal : 59 minutes) (5).
- Une fois la durée définie, appuyez sur le bouton **Start/Stop (Marche/Arrêt)**: ► / ■ (3) pour démarrer le compte à rebours.
- Une fois le temps écoulé, l'alarme retentit pendant 30 secondes et redémarre automatiquement le compte à rebours à partir du réglage précédemment défini.

IMPORTANT

Lorsque le temps restant au compte à rebours est supérieur à une heure, les indications H et M (heures et minutes) se mettent à clignoter; le décompte des chiffres s'effectue toutes les minutes. Lorsque le temps restant au compte à rebours est inférieur à une heure, les indications H et M se transforment en M et S (minutes et secondes) et le décompte des secondes démarre; le décompte des chiffres s'effectue toutes les secondes.

Pour effacer la durée :

- Appuyez sur le bouton **Start/Stop (Marche/Arrêt)**: ► / ■ pour activer le rétroéclairage.
- Appuyez sur le bouton **HR** et le bouton **MIN**: ↻ simultanément (1)(2).

Pour définir un compte progressif :

- Appuyez sur le bouton **Start/Stop (Marche/Arrêt)**: ► / ■ pour activer le rétroéclairage.
- Appuyez sur le bouton **Start/Stop (Marche/Arrêt)**: ► / ■ à nouveau pour démarrer le compte progressif. Pendant ce compte progressif, l'affichage apparaît aux formats heure/minute et minute/seconde.
- Appuyez sur le bouton **Start/Stop (Marche/Arrêt)**: ► / ■ deux fois pour arrêter le minuteur. Le compte progressif s'arrête au bout de 99 heures (4), 59 minutes (5).

Arrêt automatique :

- Pour préserver la durée de vie des piles, le rétroéclairage s'éteint au bout de 10 secondes. Le minuteur s'éteint complètement au bout de 10 minutes d'inactivité.

Remarque : si vous utilisez le minuteur dans un environnement qui le soumet à des décharges électrostatiques (électricité statique), il se peut que vous perdiez la durée programmée. Si cela se produit, réinitialisez le minuteur.

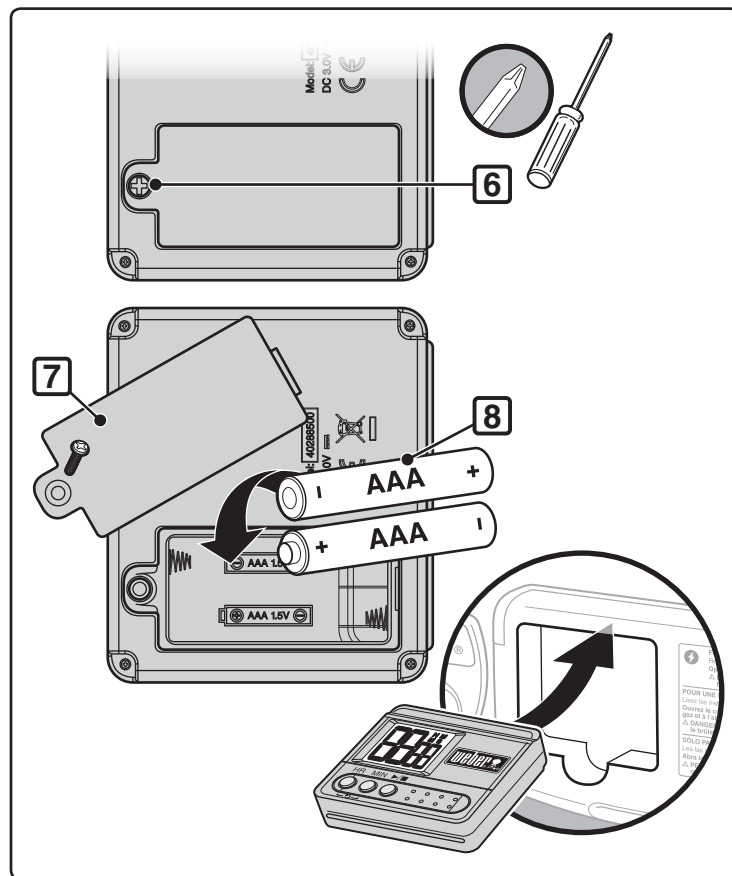
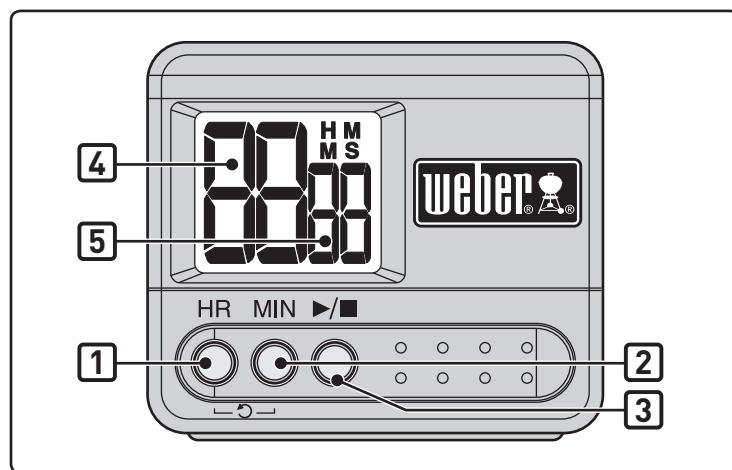
Installation de la pile :

- Utilisez un tournevis cruciforme pour ouvrir le compartiment des piles situé à l'arrière du minuteur (6) en tournant la vis dans le sens des aiguilles d'une montre.
- Retirez le couvercle du compartiment à piles à l'arrière du minuteur (7).
- Installez ou remplacez les piles AAA (8).
- Remettez en place le couvercle du compartiment à piles.
- Bloquez le couvercle du compartiment à piles en tournant la vis dans le sens inverse des aiguilles d'une montre à l'aide d'un tournevis cruciforme.
- Une fois les piles en place, l'indication (0000) s'affiche sur l'écran ACL.

Entretien :

- Ne nettoyez pas le minuteur avec un composé abrasif ou corrosif. Cela risquerait de le rayer ou d'oxyder les circuits électroniques.
- Ne soumettez pas le minuteur à des forces excessives, à des chocs, à la poussière ou à des températures/taux d'humidité trop élevés. Cela risquerait de causer des dysfonctionnements, de raccourcir la durée de vie des circuits électroniques, d'endommager les piles ou de déformer certaines pièces.
- N'altérez pas les composants internes du minuteur. Cela risquerait d'annuler la garantie et de causer des dommages inutiles aux piles ainsi qu'aux pièces internes.
- N'exposez pas le minuteur à la lumière directe du soleil ou à de fortes pluies.
- N'immergez pas le minuteur dans l'eau.

Pour un rendement optimal, nous vous conseillons de ranger le minuteur à l'intérieur lorsqu'il n'est pas en service.



DEPANNAGE

VERIFICATION	PROBLEME	SOLUTION
Le brûleur brûle avec une flamme jaune ou orange, associée à une odeur de gaz.	Inspectez le brûleur pour détecter toute obstruction potentielle.	Nettoyez le brûleur. (Voir la Section "Maintenance")
Le brûleur ne s'allume pas ou la flamme est faible.	La bouteille de PL est-elle pleine ou vide ?	Remplacez la bouteille de PL.
	Le tuyau de combustible est-il plié ou pincé ?	Redressez le tuyau de combustible.
	Le brûleur s'allume-t-il à l'aide d'une allumette ?	Si vous pouvez allumer le brûleur à l'aide d'une allumette, alors vérifiez le système d'allumage.
	Le raccord tuyau-brûleur est-il correctement fixé ?	Connectez le tuyau de gaz au tube du brûleur à l'aide de la pince de retenue en métal fournie. ⚠ DANGER : N'utilisez pas la fonction d'allumage du gaz si la pince de retenue est manquante. Une pince de retenue manquante peut entraîner des blessures graves voire un décès ainsi que des dégâts matériels. Veuillez contacter le Service clientèle pour vous procurer une pince de retenue de rechange.
L'aspect de la flamme du brûleur est irrégulier.	Le brûleur est-il propre ?	Nettoyez le brûleur. (Voir la Section "Maintenance")
Le brûleur ne s'allume pas lorsque vous enfoncez le bouton d'allumage.	Assurez-vous que du gaz circule vers les brûleurs en tentant d'allumer vos brûleurs à l'aide d'une allumette. Voir "ALLUMAGE MANUEL."	Si l'allumage à l'aide d'une allumette réussit, le problème réside dans le système d'allumage. Voir "UTILISATION DU SYSTÈME D'ALLUMAGE ÉLECTRONIQUE."
	Une pile neuve a-t-elle été mise en place ?	Vérifiez que la pile est en bon état et qu'elle est installée correctement. Voir "INSPECTION DE L'ALLUMAGE ÉLECTRONIQUE."
	Les câbles sont-ils correctement raccordés au module d'allumage ?	Assurez-vous que les câbles sont correctement insérés dans les terminaux du module d'allumage. Voir "UTILISATION DU SYSTÈME D'ALLUMAGE ÉLECTRONIQUE."
	La pile est-elle emballée dans du plastique ?	Retirez l'emballage plastique.
Le minuteur ne fonctionne pas.	Les batteries en place sont-elles en bon état?	Vérifiez que les batteries sont en bon état et correctement installées. Consultez la section « FONCTIONNEMENT DE LA MINUTERIE ».
L'intérieur du couvercle semble "s'écailler." (Ressemble à des éclats de peinture.)	Ce que vous voyez est une accumulation de matière grasse carbonisée qui s'écaille. CE N'EST PAS UN DÉFAUT.	Nettoyez de manière approfondie. (Voir la Section "Nettoyage")

Si les problèmes ne peuvent pas être corrigés à l'aide de ces méthodes, veuillez contacter le représentant du Service clientèle le plus proche à l'aide des coordonnées à votre disposition sur notre site Internet. Connectez-vous sur www.weber.com®.

MAINTENANCE

Après une période d'inutilisation, nous vous recommandons d'effectuer les procédures de maintenance suivantes pour votre sécurité.

- Vérifiez le tuyau avant chaque utilisation du barbecue afin de détecter les entailles, les fissures, les abrasions ou les coupures. Si le tuyau ne s'avère pas réparable, n'utilisez pas le barbecue. Remplacez les pièces uniquement par des pièces de rechange homologuées par Weber®. **Contactez le Représentant du Service clientèle de votre région grâce aux coordonnées à votre disposition sur notre site Internet. Connectez-vous sur www.weber.com.**

⚠ ATTENTION : Si le tuyau à gaz du barbecue est détérioré de toute manière ou s'il fuit, n'utilisez pas le barbecue.

- Inspectez le brûleur pour vérifier si l'aspect de la flamme est correct (voir le section Aspect de la flamme du brûleur). Nettoyez, si nécessaire, conformément aux procédures présentées dans cette section.
- Vérifiez tous les raccords de gaz afin de détecter les fuites. voir la section "Détectez les fuites de gaz".

NETTOYAGE PERIODIQUE

Pour retirer les cendres de la cuve, déplacez la tige de contrôle (1) d'un côté à l'autre de manière que les lames du registre balaient les cendres à travers les aérations de la cuve vers l'attrape-cendres.

⚠ ATTENTION : Assurez-vous que le brûleur est éteint (OFF) et que le barbecue a refroidi avant de le nettoyer.

N'élargissez pas les fentes du brûleur pendant que vous le nettoyez.

Pour nettoyer le brûleur :

- Brossez l'extérieur du tube du brûleur (2) et la section des fentes du brûleur (3) avec une brosse métallique.

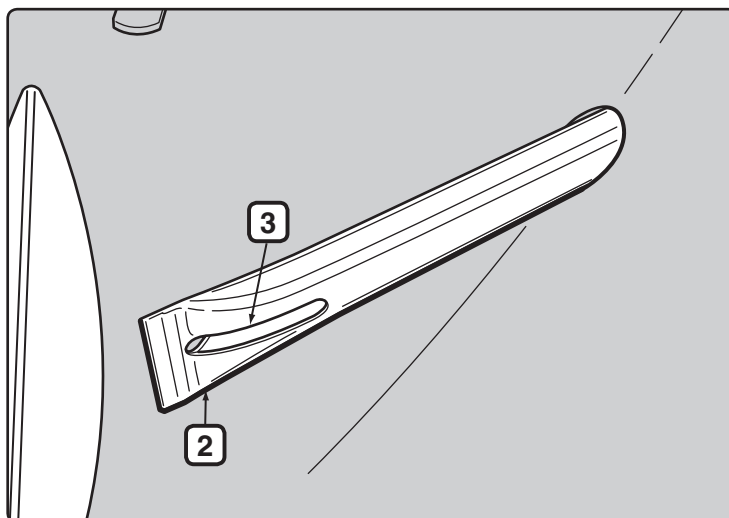
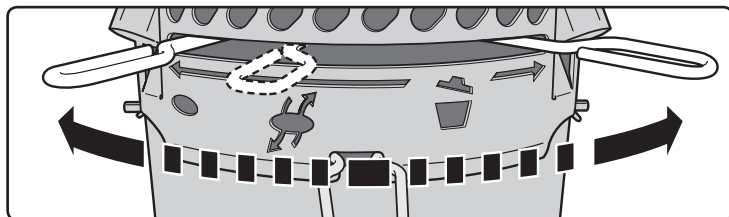
⚠ ATTENTION : N'élargissez pas les fentes du brûleur ou l'orifice du gaz pendant que vous nettoyez.

Pour nettoyer la cuve :

- Pendant que le couvercle est chaud, essuyez l'intérieur avec une serviette en papier pour empêcher les accumulations de graisses.
- Pour les surfaces extérieures, utilisez une solution d'eau savonneuse chaude et rincez bien à l'eau claire.

Pour un nettoyage plus approfondi (à faire au moins une fois par an) :

- Retirez les cendres une fois que les braises sont complètement éteintes.
- Retirez les grilles et les paniers Char-Baskets™.
- Essuyez avec des serviettes en papier. Lavez à l'aide d'un détergent doux. Rincez bien à l'eau claire et essuyez pour sécher.



STOCKAGE

- Lorsque le Grill Performer est stocké à l'intérieur, l'arrivée de gaz doit être déconnectée et la bouteille de PL rangée à l'extérieur dans un espace bien ventilé.
- Les bouteilles de PL doivent être stockées dehors dans une zone bien ventilée hors de portée des enfants et elles ne doivent pas être stockées dans un bâtiment, un garage ou toute autre zone confinée.
- Après une période de stockage et/ou d'inutilisation, le barbecue devrait faire l'objet d'une vérification afin de détecter les fuites de gaz et toute obstruction à la circulation de l'air ou du gaz dans le tube du brûleur avant utilisation (voir la section "Maintenance").
- Vérifiez que les zones situées autour de la bouteille, du tuyau et de l'assemblage du brûleur ne comportent aucun débris susceptibles de faire obstruction à la circulation du gaz ou de l'air avant utilisation.

ALERTE CONTRE LES INSECTES

Votre Grill Performer, comme tout appareil à gaz d'extérieur, est une cible pour les araignées et les insectes. Ils peuvent nicher dans la section des aérations (1) du tube du brûleur provoquant le reflux du gaz par les aérations.

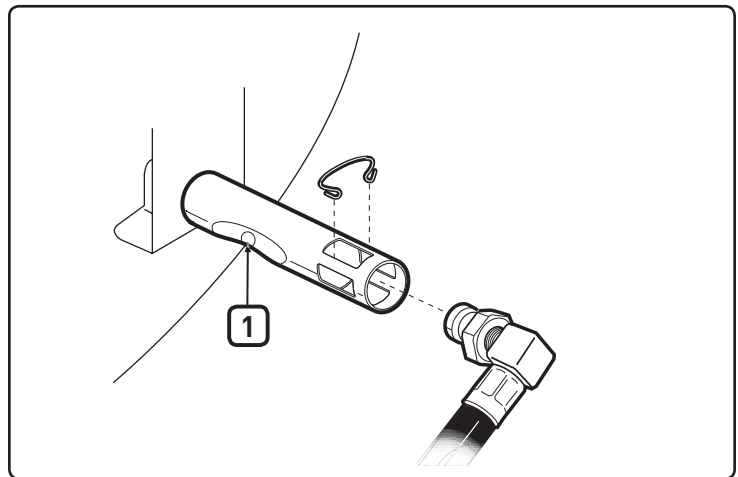
Ceci pourrait provoquer un incendie dans et autour du tube du brûleur au-dessous du panneau de la cuve. Cela peut détériorer gravement votre barbecue, rendant ainsi son utilisation dangereuse.

Nous vous recommandons fortement d'inspecter et de nettoyer le tube du brûleur au moins une fois par an, ou si vous remarquer l'un des symptômes suivants :

- A) Une odeur de gaz en même temps que les flammes semblent très jaunes et peu fournies.
- B) Le brûleur émet des bruits.

⚠ DANGER

Le fait de ne pas corriger ces symptômes pourrait provoquer un incendie susceptible de provoquer des blessures graves voire un décès ainsi que des dégâts matériels.



INSPECTION ET NETTOYAGE DU BRULEUR

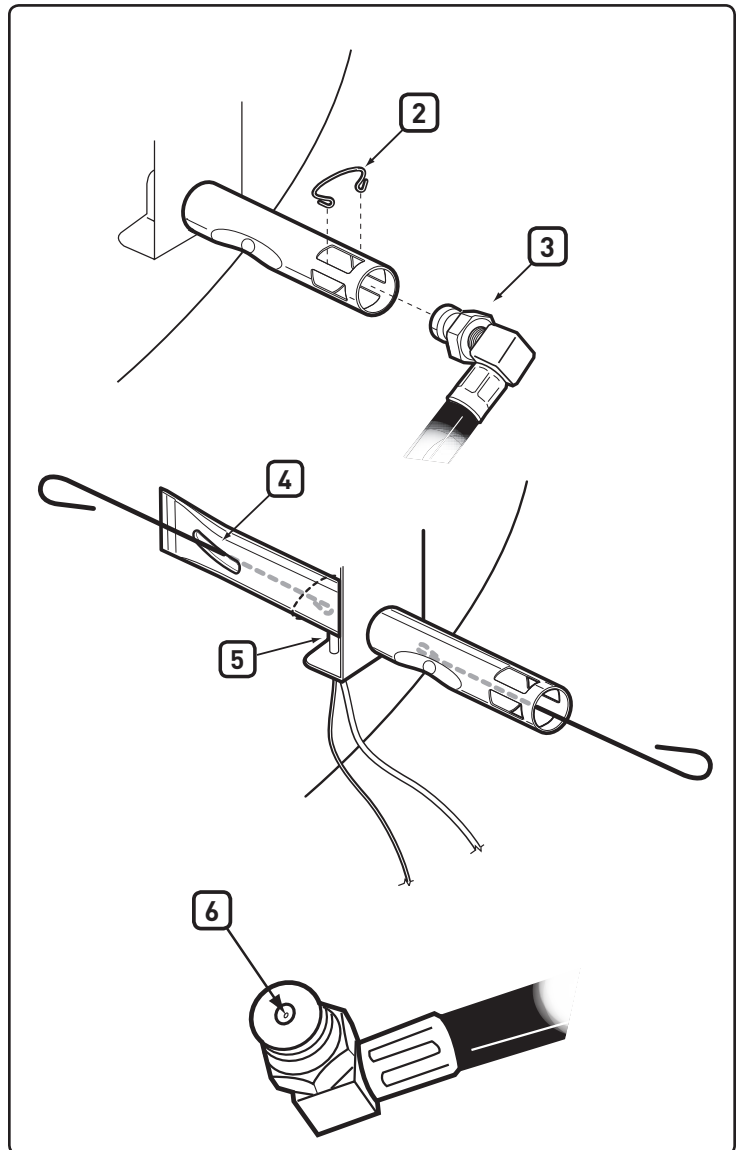
- A) Positionnez le gaz sur OFF.
- B) Retirez le Récipient de stockage CharBin™.
- C) Retirez la pince de l'orifice (2) et le raccord du tuyau (3) du brûleur.
- D) Regardez à l'intérieur du brûleur à l'aide d'une lampe torche.
- E) Nettoyez l'intérieur du brûleur à l'aide du support du porte-allumette en fil de fer (fourni).

Utilisez le fil de fer pour nettoyer la zone des aérations, la section d'aération venturi et les fentes du brûleur (4) sur l'intérieur de la cuve. Faites attention lorsque vous insérez l'outil de nettoyage du brûleur afin de ne pas détériorer l'électrode de l'allumeur (5).

- F) Vérifiez à nouveau à l'aide de la lampe torche pour vérifier qu'il n'y a pas d'obstruction.
- G) Si nécessaire, la surface du raccord du tuyau peut être nettoyée à l'aide d'une brosse de cuivre. L'orifice (6) peut être nettoyé à l'aide d'une petite épingle.

⚠ ATTENTION : N'élargissez pas l'orifice lorsque vous nettoyez.

- H) Remontez l'ensemble en inversant les étapes B et C.

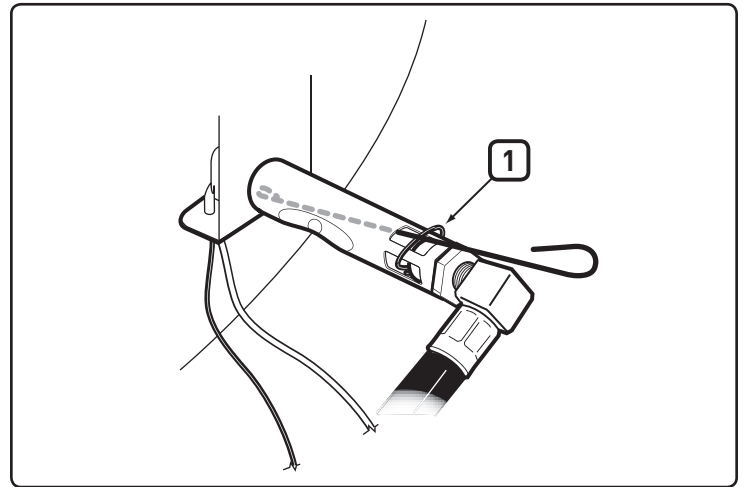


NETTOYAGE RAPIDE PERIODIQUE

Nous vous recommandons de brosser régulièrement l'extérieur des fentes du brûleur à l'aide d'une brosse métallique et de nettoyer le tube du brûleur à travers l'aération de passage de l'air nécessaire à la combustion à l'aide du porte-allumette que nous vous avons fourni.

Localisez les aérations de passage de l'air nécessaire à la combustion **(1)** sous le support de la cuve puis insérez le porte-allumette à travers chaque aération de passage de l'air nécessaire à la combustion, en faisant pivoter l'ustensile. Veillez à ne pas détériorer l'électrode de l'allumeur lorsque vous insérez le porte-allumette.

⚠ ATTENTION : Il est important d'augmenter la fréquence de cette procédure de nettoyage pendant les mois de printemps et d'été.



INSPECTION DE L'ALLUMAGE ÉLECTRONIQUE

Si le Système d'allumage électronique ne s'allume pas, assurez-vous qu'il y a bien du débit de gaz en essayant d'allumer vos brûleurs avec une allumette. Voir "ALLUMAGE MANUEL." Si l'allumage à l'aide d'une allumette réussit, le problème réside dans l'allumage électronique.

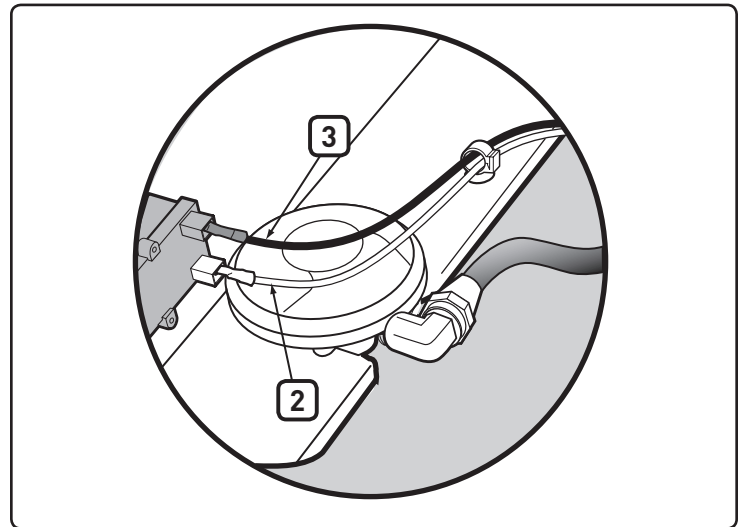
⚠ MISE EN GARDE : La commande de gaz et la valve d'alimentation devraient être positionnées sur OFF.

- Vérifiez que la pile AAA (alcaline uniquement) est en bon état et qu'elle est correctement installée **(1)**. Certaines piles sont emballées dans un plastique de protection. Ce plastique doit être retiré. Ne confondez pas ce plastique avec l'étiquette de la pile.
- Vérifiez que les câbles d'allumage blanc **(2)** et noir **(3)** sont correctement fixés.
- Vérifiez si le bouton d'Allumage électronique fonctionne en écoutant et en faisant un contrôle visuel afin de détecter toute étincelle au nouveau du brûleur.
- Vérifiez pour voir si l'allumeur a du jeu à l'intérieur du châssis. Serrez si nécessaire ; voir "ASSEMBLAGE" pour la procédure correcte.

Remplacez la Pile si Nécessaire

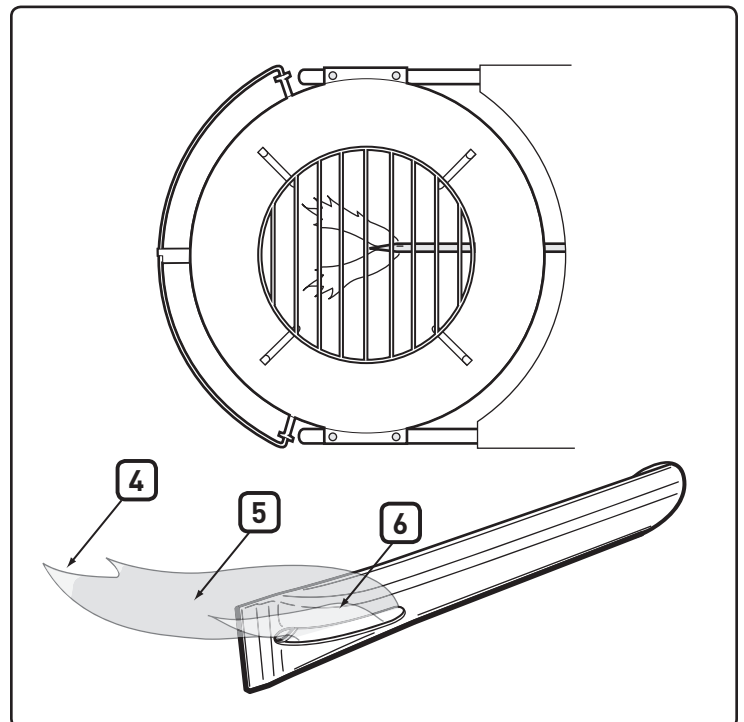
Pile alcaline AAA uniquement.

Si le Système d'allumage électronique ne s'allume toujours pas, contactez le Représentant du service clientèle de votre région à l'aide des coordonnées à votre disposition sur notre site Internet. Connectez-vous sur www.weber.com. ♦



ASPECT DE LA FLAMME DU BRULEUR

Le brûleur a été réglé en usine pour obtenir le mélange correct d'air et de gaz. L'aspect correct de la flamme devrait présenter des extrémités plutôt jaunes **(4)** du bleu foncé au milieu **(5)**, et du bleu clair au niveau du tube du brûleur **(6)**. Si les flammes n'apparaissent pas comme indiqué, ou si des bruits de "pop" sont émis, suivez les procédures de nettoyage du brûleur.





WEBER-STEPHEN PRODUCTS LLC
www.weber.com[®]

© 2014 Designed and engineered by Weber-Stephen Products LLC,
200 East Daniels Road, Palatine, Illinois 60067 U.S.A.

Free Manuals Download Website

<http://myh66.com>

<http://usermanuals.us>

<http://www.somanuals.com>

<http://www.4manuals.cc>

<http://www.manual-lib.com>

<http://www.404manual.com>

<http://www.luxmanual.com>

<http://aubethermostatmanual.com>

Golf course search by state

<http://golfingnear.com>

Email search by domain

<http://emailbydomain.com>

Auto manuals search

<http://auto.somanuals.com>

TV manuals search

<http://tv.somanuals.com>