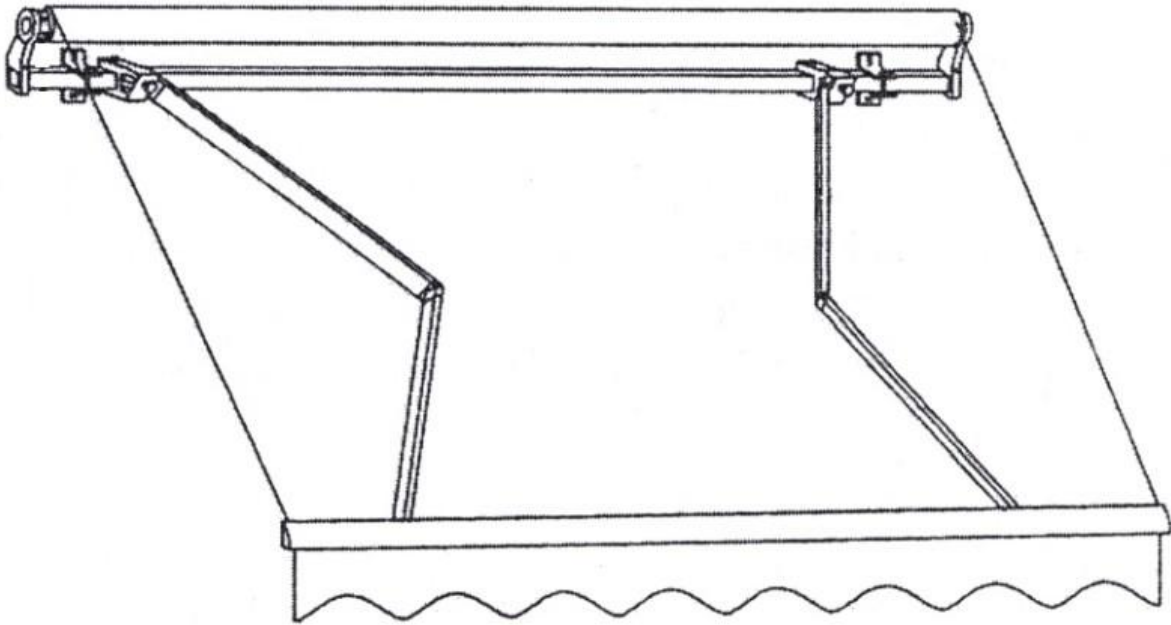


ALEKO®

INSTRUCTION MANUAL
for
ALEKO® RETRACTABLE AWNING



www.ALEKOPRODUCTS.com

WARNING:
FAILURE TO FOLLOW THESE INSTRUCTIONS
COULD RESULT IN PERSONAL INJURY!

Important safety instructions

WARNING NOTE: FOR PERSONAL SAFETY, IT IS IMPORTANT TO FOLLOW THESE INSTRUCTIONS, PLEASE KEEP THESE INSTRUCTIONS IN SAFE PLACE



This warning triangle calls attention to hazards that can lead to death or to serious injuries.



This sign identifies important notes



Read these instructions carefully before you Begin with the assembly or operate the awning.



Awning is intended primarily as protection against the sun. If a wind starts up or it begins to rain heavily (formation of water pockets) or snow begins to fall, it should be retracted immediately. Operating the awning in winter conditions can result in damage of awning.



WARNING: DO NOT REMOVE THE SAFETY SLEEVES FROM THE ARMS UNTIL INSTRUCTED TO DO SO.



Before assembly please check whether the Delivered assembly brackets agree in type And amount with the order and whether the Mounting base specification provided in the order coincide with the actual conditions.



Required Tools:
(may be vary, depend of installation conditions)
Drill;
Masonry drill bit, 16mm (Metric size);
Wrench: 14mm,17mm,19mm (Metric size);
Phillips screwdriver;
Needle-nose pliers;
Level, Measuring tape, Chalk line, Pencil;
Step ladder.



When extended, various forces, including wind and rain will affect an awning, These sometimes substantial forces must be absorbed by the awning and transferred to the assembled structure via its mounting brackets. under extreme loads, excessive attractive force can be exerted on the anchor bolts.



Note:
Sheeting was used to protect the paint
This must be removed afterwards.



WARNING: The awning is heavy. A minimum of two persons is required to attach the awning to the wall brackets.



WARNING: DO NOT ALLOW CHILDREN TO PLAY IN THE WORK AREA DURING ASSEMBLY AND ADJUSTMENTS.



WARNING: DO NOT TRY to attach the awning alone.
If the awning falls, it may cause serious injuries and get damaged.

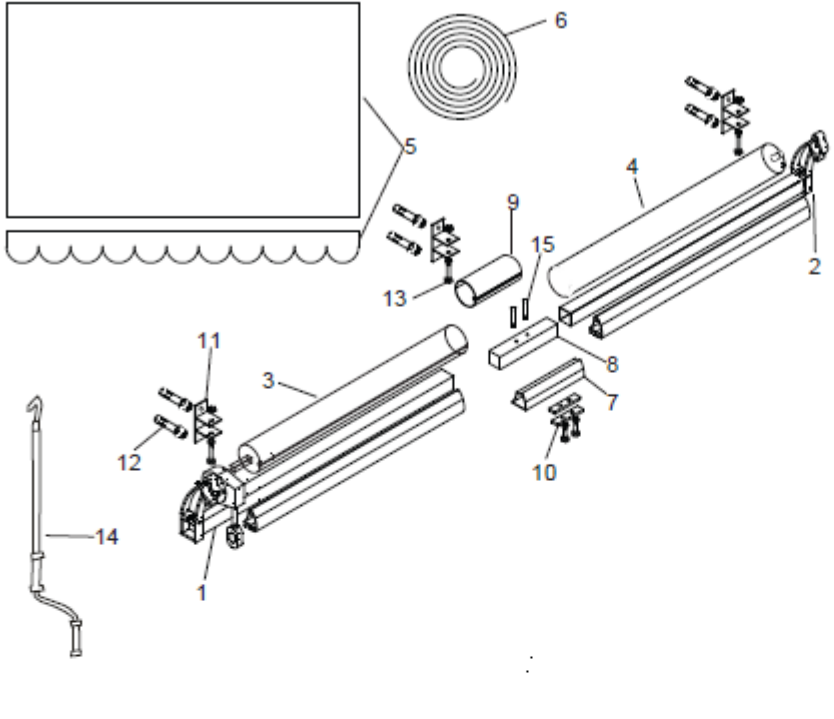




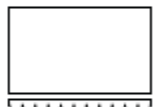




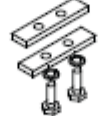
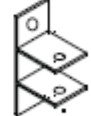







Please make sure that your hands are clean at the time of the assembly, otherwise you may soil or stain the awning fabric and frame.



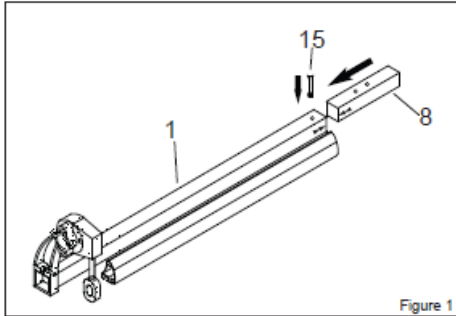
Therefore, before starting assembly, check the load bearing capacity of the mounting base and if necessary take corresponding measures to ensure stable installation of the brackets. If the mounting base is unstable, you may want to consult a specialist in your area.

PARTS LISTS

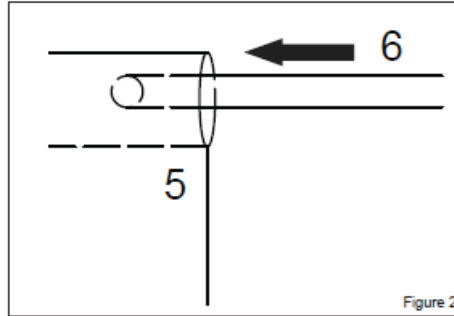
			 <p>1.Awning frame A (with gear box) X 1set</p>
			 <p>2.Awning frame B X 1set</p>
			 <p>3.Fabric tube A (with square idler) X 1pcs</p>
			 <p>4.Fabric tube B (with round idler) X 1pcs</p>
			 <p>5. Fabric X 1 set</p>
 <p>6.Plastic piping X 3pcs</p>	 <p>7.Front bar connector X 1pcs</p>	 <p>8.Square bar connector X 1pcs</p>	
 <p>9.Fabric tube connector X 1pcs</p>	 <p>10.Front bar fastener X 1set</p>	 <p>11.Wall bracket X 3pcs</p>	
 <p>12. Expansion bolt X 6pcs</p>	 <p>13. Safety bolt X 3sets</p>	 <p>14.Hand-crank X 1pcs</p>	
 <p>15.Square bar connection bolt x 2 pcs</p>	 <p>16.Manual</p>		

Awning assembly steps

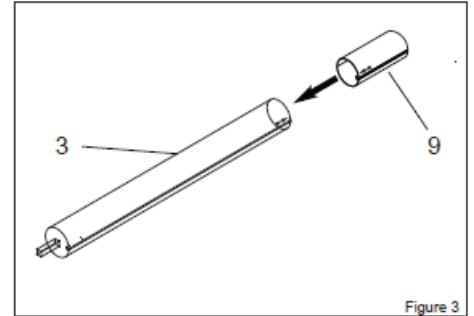
WARNING: DO NOT REMOVE THE SAFETY SLEEVES FROM THE ARMS UNTIL INSTRUCTED TO DO SO.



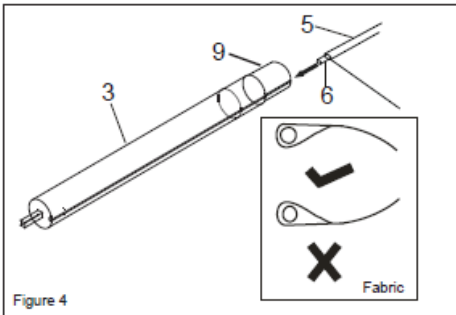
Step 1: Insert the square bar connector(8) into the square bar on awning frame A (with gear box)(1), fasten them with one Square bar connection bolt(15)



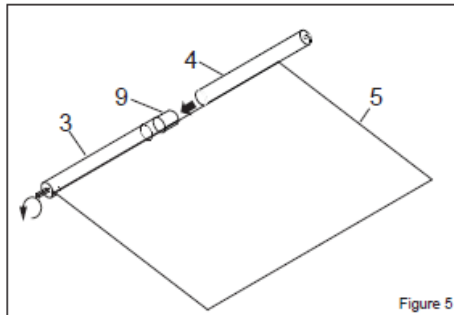
Step 2: Put the plastic pipings (6) into the two tunnels on each side of fabric (5).



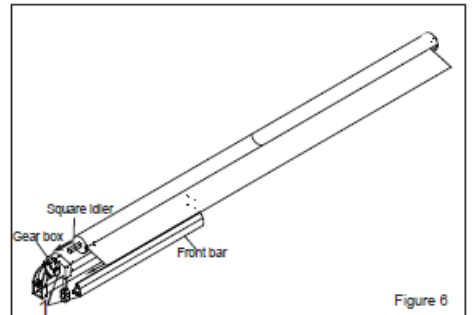
Step 3: Put fabric tube connector (9) into Fabric tube A (with square idler) (3).



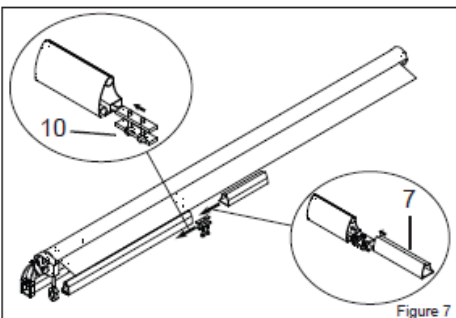
Step 4: Insert one side of fabric into the fabric tube A (with square idler)(3). Please notice the fabric side as picture showed.



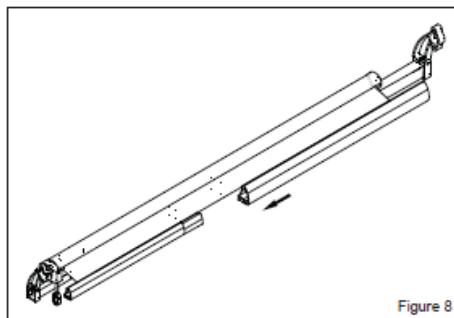
Step 5: Insert the left fabric into Fabric tube B (with round idler)(4), then connect Fabric tube B (with round idler) with fabric tube connector(4&9). After that roll counterclockwise the fabric tightly



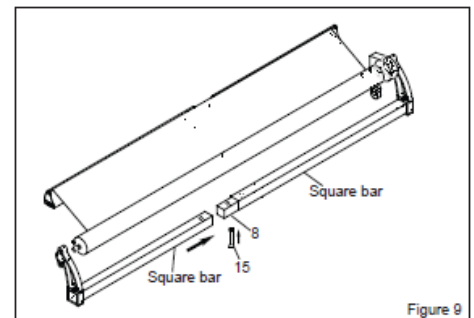
Step 6: Insert another side of the fabric bar on Awning frame A (with gear box)(1), put the square idler (3) into gear box.



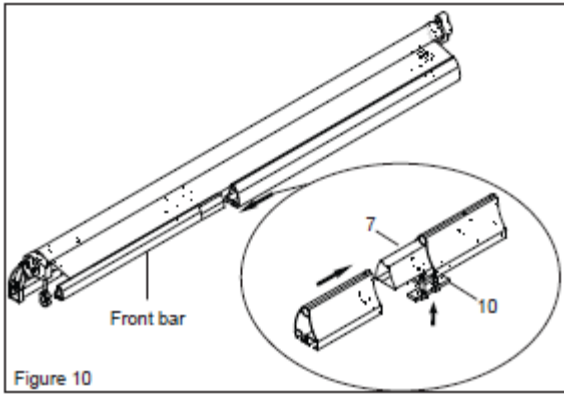
Step 7: Put the front bar fastener(10) into the tunnel of front bar on Awning frame A (with gear box)(1). Put the front bar connector (7) into front bar.



Step 8: Insert the left fabric into another part of front Bar.



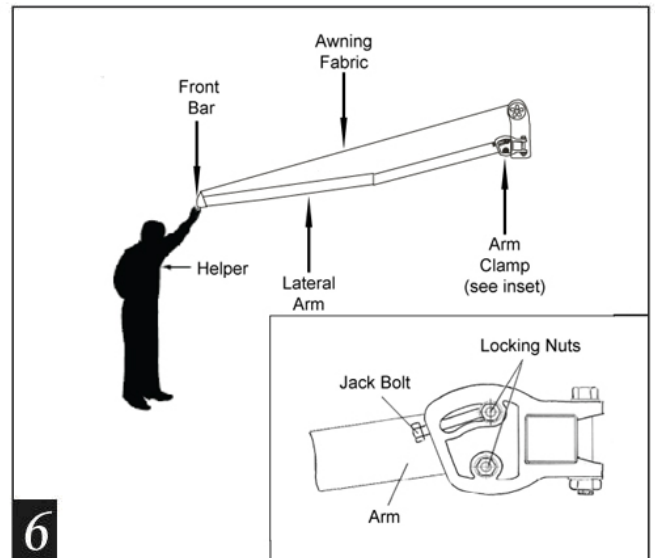
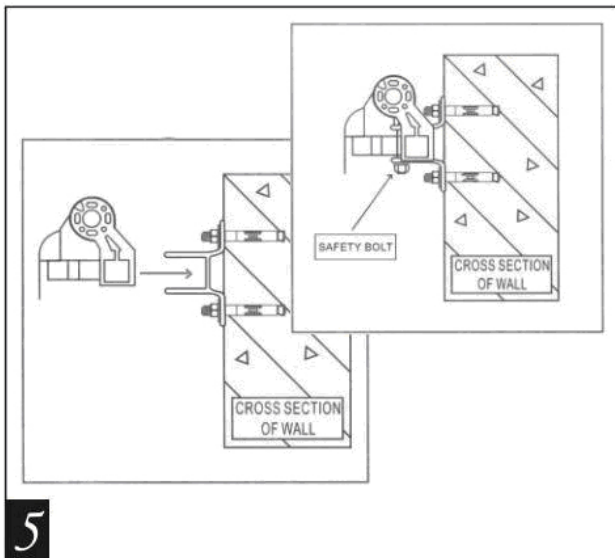
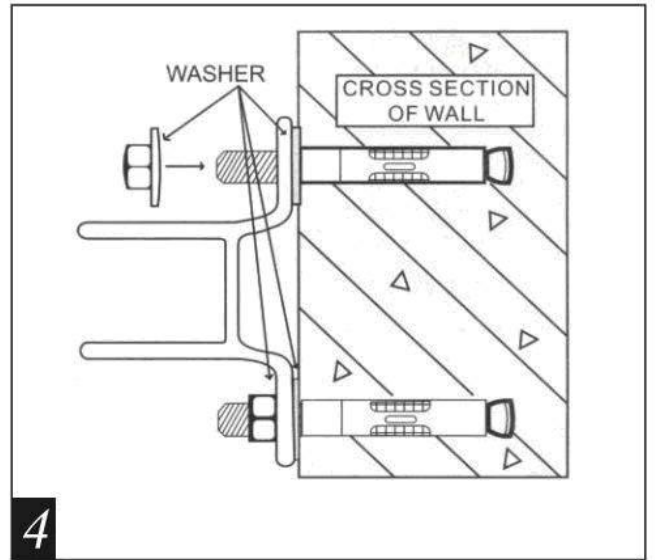
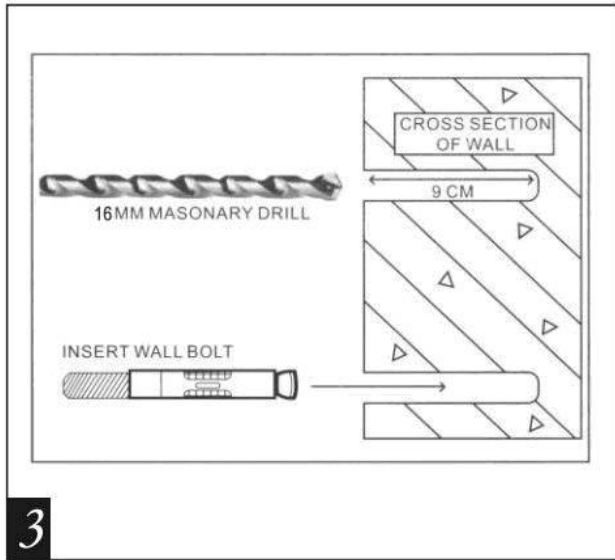
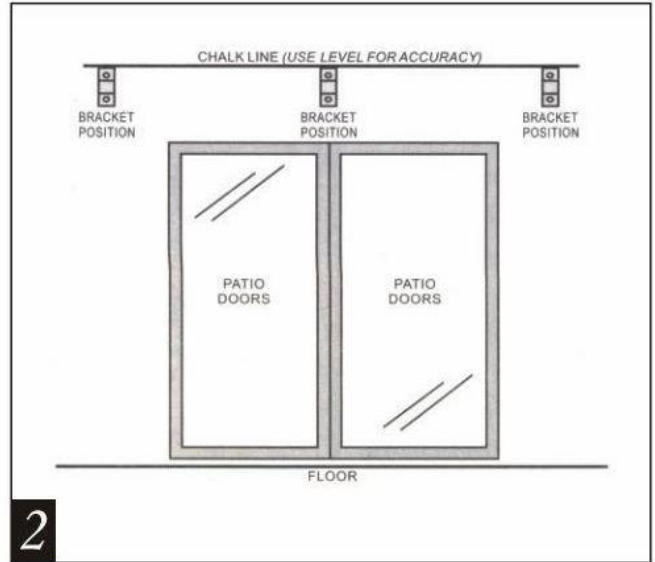
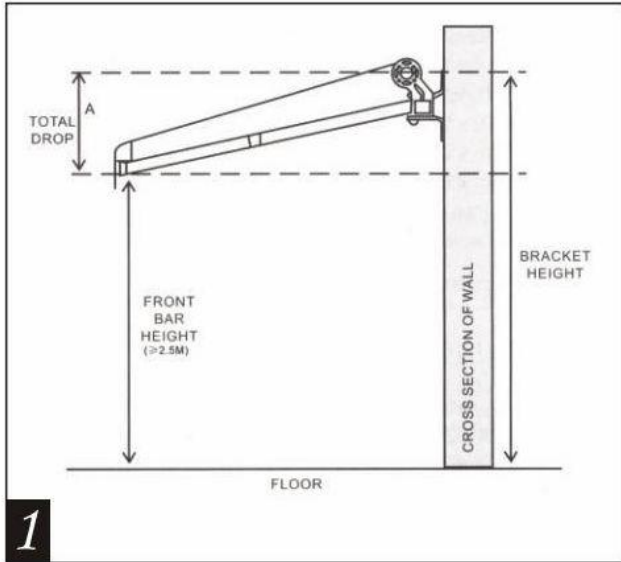
Step 9: Connect the two square bars with the square bar connector (8) and fasten them with another Square bar connection bolt (15).



Step 10: Tighten the front bar with the fastener.

Note: You could adjust the position of the two locking screws on two sides according to the fabric size, make sure they are closing to fabric ends, to prevent the fabric moving.

INSTALLATION



Step 1: Unboxing.

Carefully remove the awning from the box and remove the styrofoam protectors from the awning, remove the plastic bags and plastic guards from the awning and carefully place the awning aside to avoid having it damaged by scratches or otherwise damaged or soiled during assembly.

Think about how you will be securing the awning to the wall ahead of time. In case you would like to mount it above a patio door, you should leave a space of at least 8 inches (20cm) above the door frame. If there is enough space available above the door frame.

The approximate total drop area of the awning varies depending on the type:

Bracket Height	10~16 Ft 3~5 meters	15~19 4.5~6 meters
A(Total Drop)	1 Ft 30cm	2 Ft 50 cm

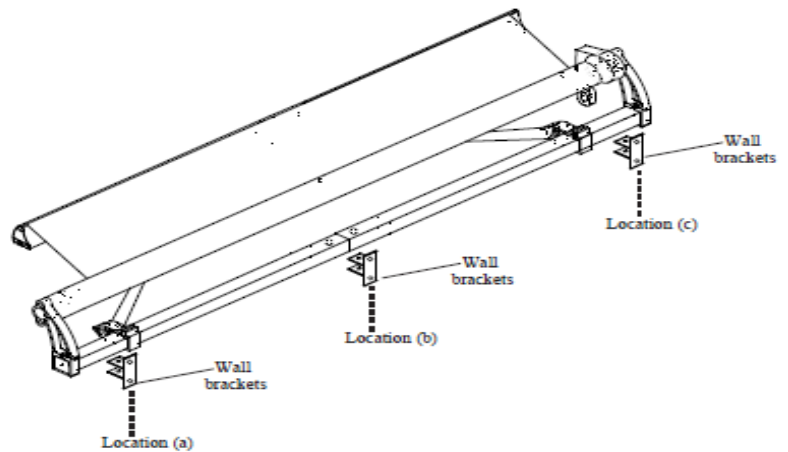
Ensure that you also take this drop height into account in your decision on where to install the awning.

The drop angle can and may only be changed minimally.

Picture **1**: it shows the drop still be changed after assembly. The ideal drop angle, however, has already been set in the factory of the awning when it is fully extended. (Total drop, height of front bar more than 8 Feet (≥ 2.5 meters), cross section of the wall, bracket height).

Step 2: Location of the wall brackets

- Location (a) - Between the right end of the awning and the right Arm. (facing the awning) on the fabric tube.
- Location (b) - In the middle of the square bar, cover the seam of the connection.
- Location (c) - Between the left end of the awning and the left Arm.



Measure the width of the awning with a ruler and note the positions of wall brackets.


Picture **2**: Draw a horizontal line at the height of the required areas as illustrated in the image and use a long ruler, a level and chalk for this purpose. Mark the corresponding places on the wall by running a pencil through the holes at the bottom of the brackets.

CAUTION: PROPER LOCATION OF THE BRACKETS IS THE MOST IMPORTANT ASPECT OF THE AWNING INSTALLATION. IT IS CRITICAL THAT YOU FASTEN ALL THE MOUNTING BRACKETS TO STUDS, JOISTS, HEADERS OR OTHER MAJOR STRUCTURAL COMPONENTS.

WARNING: FAILURE TO SECURELY FASTEN ALL THE BRACKETS TO THE WALL COULD RESULT IN THE COLLAPSE OF THE AWNING AND CAUSE PERSONAL INJURY OR DEATH..

Step 3: Drill the holes.

Use a 16 mm masonry drill bit to drill the holes for the brackets at the appropriate marks on the wall.


Picture  : The holes should be 4 inches (9cm) deep in the wall and must be drilled through solid brick or concrete. Do not drill through mortar because this does not offer the support that is required for the awning.

Installation on timber houses and sheds:

The awning can also be installed on timber houses if their walls can carry the weight of the awning. In this case, ensure the brackets are firmly secured to the outside of solid wooden beams.

The anchor bolts from the delivered package are not suitable for mounting the awning to wooden beams. Instead buy carriage bolts of adequate length and of an appropriate diameter and secure the awning with them.

Step 4: Attachment brackets for wall:


Picture  : After inserting the wall bolt, add the washers and then the wall brackets. Now place the washers on the bolt head and firmly tighten the 19mm nuts.



Note:

1. It may be necessary to drive the anchor bolts in with a wooden mallet because they do not go in easily. Do not use a metal hammer for this purpose because this could damage the threads on the top of the bolts.
2. If the bolts need to be driven into the wall with a hammer, we recommend initially placing the nut on the screw loosely (only placing it loosely on the bolt) because this avoids damaging to the bolt threads.
3. Firmly tighten the bolts with a 19mm hex key: it is best to use a hex key with a closed end rather than an open end because this will avoid damaging to the nut if it should slip.
4. As soon as they are fully inserted, the brackets must sit firmly in the wall. If they are still moving in some direction you must further tighten it.
5. Do not try to secure the wall brackets to loose wall stones or any surfaces that are not absolutely firm.
6. Ensure that the wall brackets are screwed firmly to the wall, so that they can in no case tear out when the awning is being installed.

Step 5: Now your awning can be secured to the wall brackets.

Picture : At least two ladders or chairs are required to install the awning in order to obtain the required height. Ensure that the ladders or chairs are firmly stay on the ground so that you can't fall.

Use ladders that are suitable for such assembly work.



Note:

In case the pole(wall bar) can't be inserted into the wall brackets, you should slightly loosen the wall brackets screws and then try it again.

This time, move the awning slightly forward and backward until the pole slips into the brackets.

Then immediately insert the safety bolts on the front side of the wall brackets and tighten the nuts with a 19mm hex key. Ensure that the safety bolts for the wall brackets have been tightly secured.



Note: Now you could remove the safety sleeves from the arms.

Step 6: CHANGING THE PITCH

There is one final adjustment you might need to make. It is setting the pitch or angle of your awning. Fully open the awning.

Are you happy with the height and level of the front bar? If so, great!

You are done with the installation. Relax, and enjoy your awning.

If not, you can adjust the pitch or angle of each arm separately.

1. Fully open the awning using your crank or remote transmitter on motorized awning, unplug the power cord from the outlet after opening the awning.
2. Using 17mm wrench to loosen the two locking nuts on the side, then use 14mm wrench to loose the jack bolt on the arm shoulder.

--See figure 6

WARNING: RAISING THE FRONT BAR WILL REDUCE THE PITCH (ANGLE) OF THE FABRIC THUS INCREASING THE RISK OF RAIN WATER POOLING ON THE FABRIC.

TO PREVENT THE AWNING FROM COLLAPSING DUE TO RAIN WATER LOAD, YOU MUST RETRACT THE AWNING WHEN UNATTENDED. FAILURE TO DO SO COULD RESULT IN PERSONAL INJURY.

If you have any questions about installation or if you require spare parts, please contact your dealer.



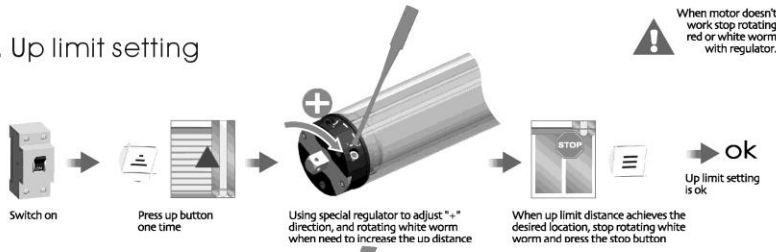
BE SURE TO NOTE.

The awning's gear box does not have stop limits of the roller revolutions. Therefore, to avoid damaging of the fabric, it must always be properly roller up. The fabric should be stretched tightly.

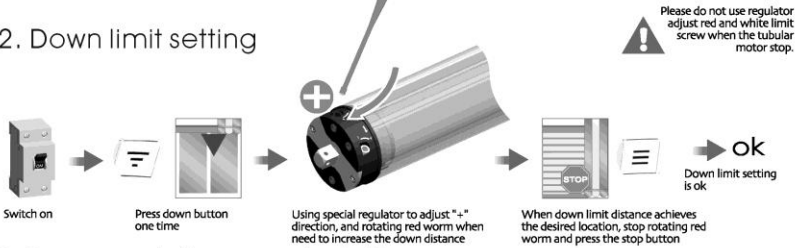
**ANY QUESTION OF MOTORIZED OPERATION OR WIND-SUN SENSOR,
PLEASE REFER TO THE INSTRUCTION BELOW.**

Ac Tubular Motor

1. Up limit setting



2. Down limit setting

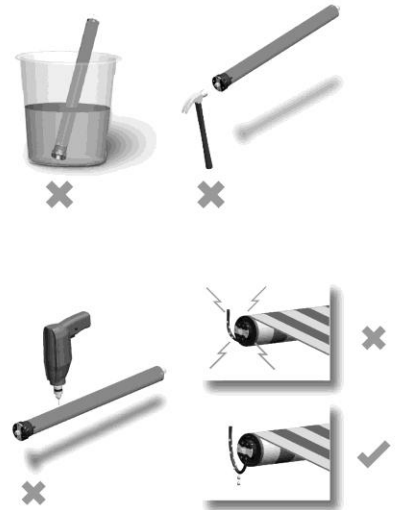


3. Common failures and solutions

	Fail-phenomena	Failure causes	solutions failure recovery
1	Switch on, the drive adapter runs in one-way operation	Inside limit switch of motor doesn't open	Turn running one circle in the opposite direction of the drive adapter, then it works
2	motor starts slowly or not work after connect power	a. Power voltage is slow b. Wiring error c. Overload d. Improper installation	a. Adjust power to rated data b. Check circuit and correct wiring connecting c. Rated torque associated with the installation of the load d. Re-install the motor
3	Motor stops suddenly after running	Motor stops suddenly after running	Motor will automatically resume work after 20 minutes cooling
4	Abnormal sound during roller blinds in operation	Outer tube is too long, led the rolling shutter connects with both sides of bracket too tightly	If idler is active, properly make the tube shorter to avoid too tight status.

Attention

1. Motor working temperature: $-10^{\circ}\text{C} \sim 50^{\circ}\text{C}$
2. Motor working 110V~120V



DC116 Button specification

Power connection

A Matchable R/E/ED Tubular Motor Set up

The interval of different button Must within 6 seconds for all Setting otherwise the system will restore the original state

One receiver store 20 emitters channels At most, one channel of emitter can control 20 receivers at most

A Wind-sun sensor grade adjusting reference

Wind grade reference	
0/1 grade	15km/h
2 grade	30km/h
3 grade	45km/h

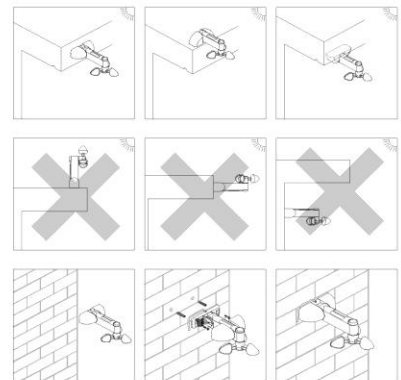
The above grades equal to
 1: When the grade is "0", "1", the wind reaches over 15km/h, the awning will fold, LED flashing
 2: When the grade is "2", the wind reaches Over 30km/h, the awning will fold, LED flashing
 3: When the grade is "3", the wind reaches over 45km/h, the awning will fold, LED flashing

Light grade reference	
0 grade	CLOSE
1 grade	15KLUX
2 grade	30KLUX
3 grade	45KLUX
4 grade	60KLUX

The above grades equal to
 1: When the grade is "0", the light will close
 2: When the grade is "1", the light reaches over 15 KLUX, the awning will open, LED flashing
 3: When the grade is "2", the light reaches over 30 KLUX, the awning will open, LED flashing
 4: When the grade is "3", the light reaches over 45 KLUX, the awning will open, LED flashing
 5: When the grade is "4", the light reaches over 60KLUX, the awning will open, LED flashing

Installation

For proper operation, keep in mind that the sensor must be positioned in an area that is fully exposed to the sun, wind and rain. To proceed with the installation, refer to the following figures.



Notice:

1. Above sensor signals, there will be 10 seconds to 20 seconds delay before the signal is actually operated.
2. If users want to change the signal's OPEN or CLOSE position, just need to reverse the motor's direction wires.
3. For proper operation, keep in mind that the sensor must be positioned in an area that is fully exposed to the wind, sun and rain

Repair Manual for Usual Malfunction

No.	CASE OF MALFUNCTION	REASON	REPAIR METHOD
1	The awning does not work when operated by remote control	①No power supply	①Check the plug to see whether its properly connected
		②The residual current automatic circuit breaker is at “off” position	②Call on the professionals to inspect
		③The voltage is too low	③Call on the professionals to inspect the voltage whether it accords with the requests
2	When operated by remote control, the awning does not work although the received signal from remote receiver can be heard	①Remote receiver and motor are switched or wire from motor disconnected with pin	①Check two placed: fasten pins and screws.
		②The motor switched off due to overheat protection	②The more will automatically resume operation after approx 20 minutes interval
3	Fabric s lax though the awning is extended entirely	Path length is incorrectly adjusted	Readjust path length according to the direction of the motor.
4	The cassette can't be close completely	Connecting position between front bar and front beam moved	Adjust position of the front beam till the cassette entirely shuttered
5	Unwanted noise when operating	Screw loosened	Check all screws come ine view and fasten the loosened
6	When operated by remote control, the indicative lamp does not work and no signal from receiver.	①Cell exhausted	①Changed a new cell
		②Cell disconnected	②Reset the cell

For more information, parts and accessories

Please visit our web site

www.ALEKOPRODUCTS.com

Free Manuals Download Website

<http://myh66.com>

<http://usermanuals.us>

<http://www.somanuals.com>

<http://www.4manuals.cc>

<http://www.manual-lib.com>

<http://www.404manual.com>

<http://www.luxmanual.com>

<http://aubethermostatmanual.com>

Golf course search by state

<http://golfingnear.com>

Email search by domain

<http://emailbydomain.com>

Auto manuals search

<http://auto.somanuals.com>

TV manuals search

<http://tv.somanuals.com>