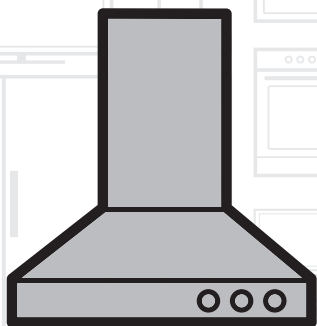


# Hood

## User Manual



HNU51311SH | HNU71311S  
HNU51311S | HNU51312S  
HNU71410S

EN	DE	FR	PL	CS	SK
ET	LV	LT	RO	ES	PT
RU					

**beko**

## CONTENTS

<b>ENGLISH</b>	<b>04-17</b>
<b>DEUTSCH</b>	<b>18-35</b>
<b>FRANÇAIS</b>	<b>36-53</b>
<b>POLSKI</b>	<b>54-73</b>
<b>ČESKY</b>	<b>74-89</b>
<b>SLOVENSKÝ</b>	<b>90-106</b>
<b>EESTI</b>	<b>107-120</b>
<b>LATVISKI</b>	<b>121-134</b>
<b>LIETUVA</b>	<b>135-150</b>
<b>ROMÂNĂ</b>	<b>151-167</b>
<b>ESPAÑOL</b>	<b>168-185</b>
<b>PORTUGUÊS</b>	<b>186-203</b>
<b>RUSSIAN</b>	<b>204-224</b>

01M-8808823200-2020-03  
01M-8808833200-2020-03  
01M-8808843200-2020-03  
01M-8808853200-2020-03  
01M-8894943200-2020-03

# Please read this user manual first!

Dear Valued Customer,

Thank you for preferring this Beko appliance. We hope that you get the best results from your appliance which has been manufactured with high quality and state-of-the-art technology. For this reason, please read this entire user manual and all other accompanying documents carefully before using the appliance and keep it as a reference for future use. If you handover the appliance to someone else, give the user manual as well. Follow the instructions by paying attention to all the information and warnings in the user manual.

Remember that this user manual may also apply to other models. Differences between models are explicitly described in the manual.

## Meanings of the Symbols

Following symbols are used in various sections of this user manual:



Important information and useful hints about usage.



**WARNING:** Warnings against dangerous situations concerning the security of life and property.



Warning for danger of fire.



Warning for electric shock.



This appliance has been manufactured in environmentally friendly modern plants without giving any harm to the nature.

Complies with the WEEE regulation.



It does not contain PCB.

# 1 Important safety and environmental instructions

## 1.1 General Safety

Important Safety Instructions Read Carefully And Keep For Future Reference This section contains safety instructions that will help protect from risk of fire, electric shock, exposure to leak microwave energy, personal injury or property damage. Failure to follow these instructions shall void any warranty.

- Beko products comply with the applicable safety standards; therefore, in case of any damage on the appliance or power cable, it should be repaired or replaced by the dealer, service center or a specialist and authorized service alike to avoid any danger. Faulty or unqualified repair work may be dangerous and cause risk to the user.
- This appliance is intended to be used in household and similar applications such as:
  - Staff kitchen areas in shops, offices and other working environments;
  - Farm houses
  - By clients in hotels, and other residential type environments;
  - Bed and Breakfast type environments.
- Operate the appliance for its intended purpose only as described in this manual.
- The manufacturer cannot be held liable for damages resulting from improper installation or misuse of the product.
- This appliance can be used by children aged from 8 years and above and persons with reduced physical, sensory or mental capabilities or lack of experience and knowledge if they have been given supervision or instruction concerning use of the appliance in a safe way and understand the hazards involved.
- Children shall not be allowed play with the appliance. Cleaning and user maintenance shall not be made by children without supervision.
- The minimum distance between the supporting surface for the cooking vessels on the hob and the lowest part of your product must be at least 65 cm.
- If the instructions for installation for the gas hob specify a greater distance, this has to be taken into account.
- Make sure that your mains



# 1 Important safety and environmental instructions

power supply complies with the information supplied on the rating plate of the appliance.

- Never use the appliance if the power cable or the appliance itself is damaged.
- Prevent damage to the power cable by not squeezing, bending, or rubbing it on sharp edges. Keep the power cable away from hot surfaces and naked flame.
- Use the appliance with a grounded outlet only.

**WARNING:** Do not connect the appliance to the mains until the installation is fully complete.

- Place the appliance in a way so that the plug is always accessible.
- Do not touch the lamps if they have operated for a long time. They can burn your hands since they will be hot.
- Follow the regulations set out by competent authorities on discharge of the exhaust air (this warning is not applicable for use without flue).
- Operate your appliance after putting a pot, pan etc. on the hob. Otherwise, high heat may cause deformation in some parts of your product.

- Turn off the hob before taking the pot, pan etc. from it.
- Do not leave hot oil on the hob. Pans with hot oil may cause self combustion.
- Pay attention to your curtains and covers since oil may catch fire while cooking food such as fries.
- Grease filter must be replaced at least monthly. Carbon filter must be replaced at least every 3 months.
- Product shall be cleaned accordance with user manual. If cleaning was not carried out in accordance with user manual, there may be fire risk.
- Do not use non-fire-resistant filtering materials instead of the current filter.
- Only use the original parts or parts recommended by the manufacturer.
- Do not operate the product without the filter and do not remove the filters while the product is running.
- In the event of be started any flame, de-energize your product and cooking appliances.
- In the event of be started any flame, cover the flame and never

# 1 Important safety and environmental instructions

use water to extinguish.

- Unplug the appliance before each cleaning and when the appliance is not in use.
- The negative pressure in the environment should not exceed 4 Pa (4 x 10 bar) while the hood for electric hob and appliances running on another type of energy but electricity operate simultaneously.
- In the environment where the appliance is being used, the exhaust of devices running on fuel oil or gas, such as room heater must be absolutely isolated or device must be hermetical type.
- When connecting the flue, use pipes with a diameter of 120 or 150 mm. Pipe connection must be as short as possible and have as few elbows as possible.

**Danger of choking!** Keep all the packaging materials away from children.

**CAUTION:** Accessible parts may become hot when used with cooking appliances.

- The product outlet must not be connected to air channels that include other smoke.
- The ventilation in the room may

be insufficient when the hood for electric hob is used simultaneously with the devices operating on gas or other fuels (this may not apply to appliances that only discharge the air back into the room).

- Objects placed on the product may fall. Do not place any objects on the product.
- Do not flambe under the your product.

**WARNING:** Before installing the Hood, remove the protective films.

- Never leave high naked flames under the hood when it is in operation
- Deep fat fryers must be continuously monitored during use; overheated oil can burst into flames.

## 1.2 Compliance with the WEEE Directive and Disposing of the Waste Product:

This product complies with EU WEEE Directive (2012/19/EU). This product bears a classification symbol for waste electrical and electronic equipment (WEEE).



This symbol indicates that this product shall not be disposed with other

# 1 Important safety and environmental instructions

household wastes at the end of its service life. Used device must be returned to official collection point for recycling of electrical and electronic devices. To find these collection systems please contact to your local authorities or retailer where the product was purchased. Each household performs important role

in recovering and recycling of old appliance. Appropriate disposal of used appliance helps prevent potential negative consequences for the environment and human health.

## 1.3 Compliance with RoHS Directive

The product you have purchased complies with EU RoHS Directive (2011/65/EU). It does not contain harmful and prohibited materials specified in the Directive.

## 1.4 Package Information



Packaging materials of the product are manufactured from recyclable materials in accordance with our National

Environment Regulations. Do not dispose of the packaging materials together with the domestic or

other wastes. Take them to the packaging material collection points designated by the local authorities.

## 1.5 Vital Risk Poisoning Risk



Pic. 1: Poisoning Risk



Pic. 2: Poisoning Risk



### **DANGER!** **Warning - Risk of Suffocation**

Package materials are risky for children. Do not allow children to tamper with the packing materials.

# 1 Important safety and environmental instructions



## **DANGER!** **Warning - Danger of Death**

Vital risk, poisoning risk occurs due to the reabsorbed combustion gases. For use with an air outlet, do not use the appliance simultaneously with objects that expel poisonous gases, such as stoves with air circulation, which operates with gas, oil, wood or charcoal, bath stoves, water heaters, etc., unless sufficient air is supplied. Pic. 3

Objects with air circulation (e.g. stoves that are operated with gas, oil, wood or charcoal, bath stoves, water heaters) retrieves the air from the installation place and expel the waste gas by means of a waste gas system (e.g. flue). Air is absorbed by the appliance during operation from the kitchen and neighboring rooms. Vacuuming occurs if sufficient amount of air is not supplied. In this case, poisonous gases are absorbed backed from the flue and waste gas duct and return into the home. Pic. 1

For this reason, it should be ensured that the clean air is always supplied sufficiently. Pic. 2



## **WARNING!** **Danger of fire!**

Oil sludge on the oil filter may catch fire. Clean the oil filter at least once every month. Do not operate the appliance without the oil filter. change the charcoal filter at least once every three months.

Oil sludge on the oil filter may catch fire. Never work with flame near the appliance (e.g. flambé) It is only allowed to install the appliance near a heating equipment that is heated via solid fuel (e.g. wood or coal) provided that a closed cover that is not removable is available. There should be no sparks caused.

Hot vegetable oils and fat catch fire easily. Attention should always be paid to hot vegetable oils and fats. Do not try to put out the fire with water.

Turn off the hob. Carefully cover the flame with a lid, fire blanket or a similar object.

# 1 Important safety and environmental instructions



Gas hobs that have no cooking utensils on them generate high heat during operation. A ventilation device placed on the hob may therefore get damaged or burn. Operate gas hobs only when there is a cooking utensil on them.

Operating more than one gas hob simultaneously causes high heat. A ventilation device placed on the hob may therefore get damaged or burn. Do not operate two gas hobs at a high flame setting for more than 15 minutes. A burner with over 5kW (Wok) power is equal to the burner with two gas levels.

## **WARNING!** **Risk of electric shock!**

A faulty appliance may cause electric shock. Do not operate any faulty appliance. Unplug it or shut down the fuse from the fuse box. Call the customer service centre.



Repairs that do not comply with the instructions pose a threat. Repairs and change of faulty electric cables should only be performed by a customer services technician trained by our company. If the appliance is faulty, unplug it or shut down the fuse from the fuse box. Call the customer service centre.

Water leaking into the appliance may cause electric shock. High pressure or steam cleaners must not be used.



## **DANGER!** **Risk of injury!**

There is a risk of injury during installation due to the sharp edges. Always use protective gloves during installation of the appliance.

All safety bolts and safety covers should be installed as stated in the user manual due to the risk of falling of the appliance.

The objects on the appliance may fall down. Do not put any objects on the appliance.

The LED light is too bright and may harm your eyes (hazard group 1). Do not directly look at the LED light for more than 100 seconds.



## **CAUTION**

Accessible parts may get hot when used with the cooking equipment.

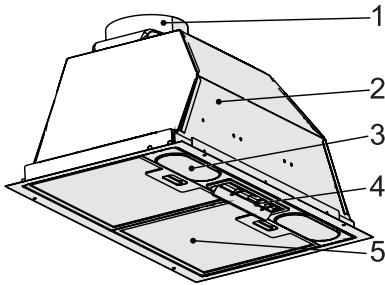


In case of repair procedures that have not been performed appropriately or according to the rules, please shut down the fuse or unplug the appliance. Repair works may only be carried out by the authorised service or authorised skilled personnel.

In case of repair procedures that have not been performed appropriately or according to the rules, please shut down the fuse or unplug the appliance. Repair works may only be carried out by the authorised service or authorised qualified personnel.

## 2 General appearance

### 2.1 Overview



1. Air Exhaust Flue
2. Body
3. Hob Lighting
4. Control Panel
5. Aluminum Oil Filter

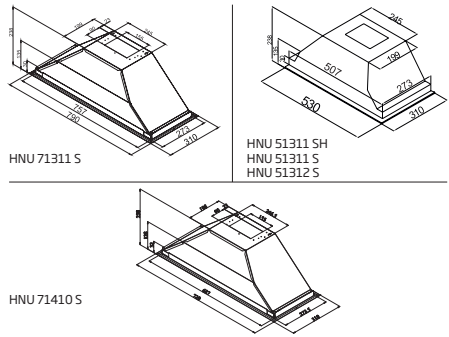
### 2.2 Technical Data

**CE** This appliance complies with the European CE Directive numbered 2014/30/EU (Electromagnetic Compatibility Directive) and 2014/35/EU (Low Voltage Directive (LVD)).

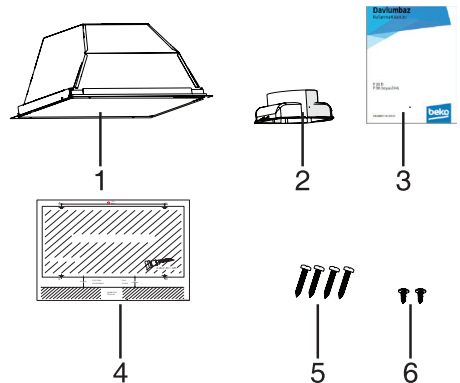
Supply Voltage	220-240V 50 Hz.
Lamp Power (W)	2x3 W
Motor Power (W)	1x185 W
Motor Insulation Class	F
Insulation Class	CLASS I

Technical and design modifications are reserved. The dimensions presented in the technical drawings are in mm. This image is only provided to inform about the parts of the appliance. Parts may vary according to the model of the appliance. Pictures are provided in a representative manner.

### 2.3 Scaled Technical Drawing



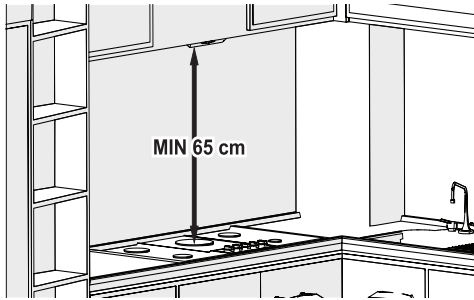
### 2.4 Package Content



1. Hood
2. Ø120 mm Plastic Flue
3. User Manual
4. Installation Draft
5. 4 X 3,9 X 32 Screw  
(Used for Installation of Hood)
6. 3,5 x 9,5 Screw  
(Used for Installation of Plastic Flue)

## 3 Installation and Use of the Appliance

### 3.1 Position of the Appliance



- Attention should be paid to the distance between the hob and hood before installation. This distance should be 65 cm.
- The measure must be taken from the grill surface on gas hobs and from the glass surface on electric hobs.



Your new appliance is especially energy efficient. You will find here some advises on how to save more energy while using the appliance, and required to destroy the appliance in a proper way.

### 3.2 Things to do for energy saving;

- Ensure sufficient air intake to make the hood operate efficiently and with low operation noise during cooking.
- Set the fan level according to the density of steam in kitchen. Use the high level only when needed. A lower fan level means less energy consumption.
- If dense smoke is expected in the kitchen, select a higher level of fan in advance. It is required to operate the hood much longer to remove the smoke already spread all over kitchen.
- Turn off the hood when not in use.
- Clean or replace the filter at intervals stated,

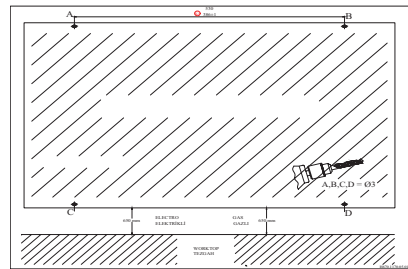
thus, the efficiency of the ventilation is increased and the risk of fire is eliminated.

### 3.3 Installation of the Appliance



#### CAUTION

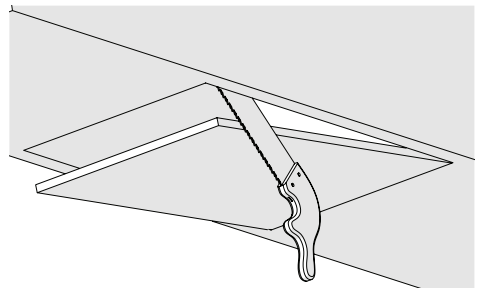
Use protective gloves and glasses while performing drilling and cutting operations.



Pic. 6

### 3.4 Drilling Mounting Holes

- Adhere the installation template provided with the appliance onto the surface on which the installation will be carried out.
- Drill the holes indicated on the installation draft with A, B, C, D using a  $\text{Ø}4$  mm drill bit. Pic. 6

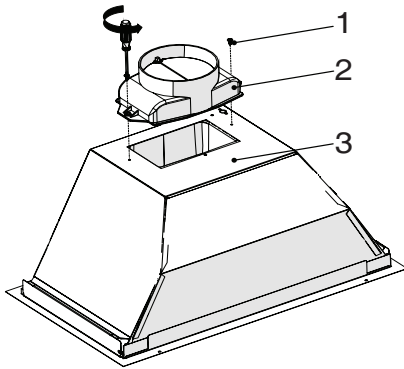


Pic. 7

- Cut the lower surface of the cabinet where the hood will be installed in the dimensions speci-

## 3 Installation and Use of the Appliance

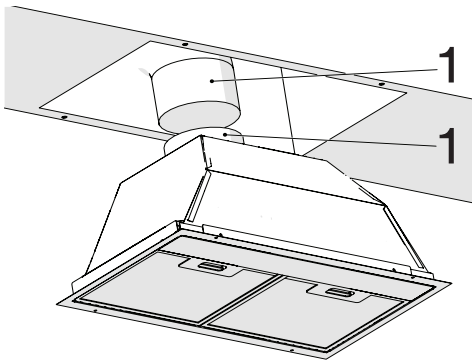
fied in the technical drawing (Pic. 7).



Pic. 8

1. 3.5 x 9.5 Screw
2. Ø 120 mm Plastic Flue
3. BodyValve Pin Socket

- Attach the plastic flue contained in the package to the body of the appliance using 2 screws 3,5 x 9,5. (Pic. 8) Do not rub it against the surface. Pic. 8



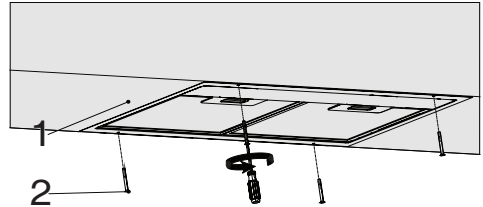
Pic. 9

1. Air discharge pipe
  2. Air exhaust flue of the hood
- Attach the air discharge pipe to the air exhaust flue and fasten via clamp (Pic. 9).



### CAUTION

As the bends and elbows in the aluminum pipe will cause decrease in the air suction power, using these must be avoided as much as possible.

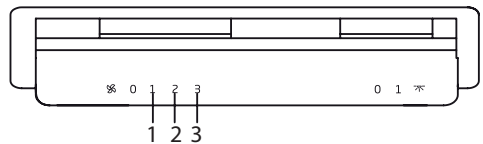


Pic. 10

1. Kitchen cabinet bottom view
  2. 4 X 3,9 X 32 hood installation screw
- Place the hood into the kitchen cabinet and attach the hood to 4 installation holes drilled before (Pic. 10).

## 3.5 Use of the Appliance

### 3.5.1 Use of the Rocker Switch



- Bring the lamp switch to position '0' to turn off the lamp.
- Bring the lamp switch to position '1' to turn on the lamp.
- Bring the motor switch to position '0' to turn off the motor.
- You can operate the motor in the 1st speed level minimum and in the 3rd speed level maximum according to the density of cooking steam.



## 3 Installation and Use of the Appliance

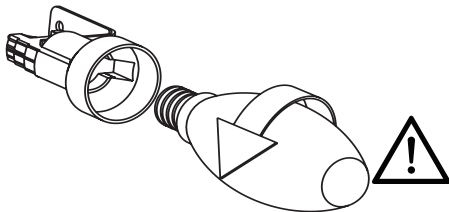
### 3.6 Lamp Replacement

#### 3.6.1 Candle Bulb Replacement



#### WARNING

Cut the power supply of the hood. Lamps may burn your hands while hot, so wait for them to cool down.



Pic. 11: Candle Bulb Replacement

- Remove the aluminum cartridge filter. Remove the faulty lamp and replace it with the one having the same value. Pic. 11



#### NOTE:

If the appliance breaks down or gets damaged, shut down the fuse or unplug the appliance and call the authorised service agent.



#### NOTE:

If the supply cable is damaged, it must be replaced by the manufacturer, its service agent or similarly qualified personnel to avoid any danger.



#### NOTE:

Shut down the fuse or unplug the appliance in case of breakdown of the lamps of the appliance. Replace immediately the faulty lamps in order to prevent other lamps from being overloaded (wait for the lamps to cool down first).

## 4 Cleaning and Maintenance

### **DANGER!** **Risk of burning, risk of electric shock!**

Wait for the appliance to cool down before cleaning or maintenance works. Shut down the fuse or unplug the appliance.

Risk of damage occurs due to the humidity intrusion into the electronics. Never clean the controllers with a wet cloth.

Surface may be damaged due to improper cleaning. Clean the stainless steel surfaces only in the direction of brushing. Do not use stainless steel cleaner for controllers.

The surface may be damaged due to abrasive or rubbing cleaning agents. Never use abrasive or rubbing cleaning agents.



### **CAUTION**

Risk of damage due to the corrosion damage. Always operate the appliance while cooking in order to prevent condensate formation. Condensate may cause corrosion damage. Replace immediately the faulty lamps in order to prevent other lamps from being overloaded. The risk of damage occurs due to the humidity intrusion to the electronics. Never clean the controllers with a wet cloth. Surface may be damaged due to improper cleaning. Clean the stainless steel surfaces only in the direction of brushing. Do not use stainless steel cleaner for controllers. The surface may be damaged due to abrasive or rubbing cleaning agents. Never use abrasive or rubbing cleaning agents. There is the risk of damage due to backflow of condensate. Install the air outlet duct with a slope of 1°, slightly downwards the appliance.



### **CAUTION**

You can use this appliance in waste air mode and in air circulation mode.



### Waste air mode

Absorbed air is cleaned by oil filters and expelled by means of a piping system. (Pic. 3) If you want to transfer the waste air to a disabled smoke or waste gas flue, you have to obtain permission from an authorised flue cleaning specialist. If the waste air is expelled over the external wall, a telescopic wall frame should be used.



## 4 Cleaning and Maintenance



Absorbed air is cleaned by oil filters and an active carbon filter and retransferred to the kitchen. Pic. 4



### NOTE!

The waste air should not be transferred to a smoke or waste gas flue, nor to a flue used for ventilation of the places where heating sources are installed.



To seal the materials causing odour in the circulating air mode, you should install an active carbon filter. Consult your authorised dealer to learn different opportunities for operating the appliance in the circulating air mode. You can buy accessories necessary for this procedure from relevant points of sale, authorised service agents or online sales centre.

The appliance you have purchased is suitable for use with carbon filter. To attach the carbon filter; 1- Place the carbon filter into its housing. Pic. 15/1 2- Turn the carbon filter clockwise to make sure that it is tightly inserted. Pic. 15/2



Res.13



Res.14



Res.15



If the carbon filter is not properly attached, it can fall and damage your product.



### CAUTION

Never wash the carbon filters. Keep the carbon filters away from children.



### CAUTION

Cleaning and user maintenance should not be performed by children without supervision.

- The surface may be damaged due to abrasive or rubbing cleaning agents. Never use abrasive and rubbing cleaning agents. Acquire the cleaning agents and protective materials suitable for your appliance from your authorised service. The surface of the appliance and the controllers are sensitive to scratching.
- Clean the surfaces with a soft and damp cloth, dishwashing liquid or a soft glass cleaning agent. Soften the dried and adhered dirt with a damp cloth. Do not scratch out!
- Dry cloths, sponges that may scratch, materials that require rubbing, sand and the other effective cleaning agents containing mineral water, acid or chloride are not suitable.
- Clean the stainless steel surfaces only in the direction of grinding.
- Do not use stainless steel cleaning agent or wet cloths for control units. Cleaning the metal oil filters Used metallic oil filters hold the humidity generated in the kitchen and the oily particles contained within the steam. In case of regular use (1 to 2 hours per day), clean the metal oil filters about once every 3 months.
- Do not use over-effective, acidified or corrosive cleaning agents.
- For the cleaning of the metal oil filters, use a damp cloth to clean holding parts of metal oil filters inside the appliance.
- You can clean the metal oil filters in the dishwasher or by hand.
- Do not apply spray cleaning agents directly on the appliance.
- Do not put flammable and/or heavy decorative items on the appliance.

### 4.1 Washing in the Dishwasher

- In case of washing in the dishwasher, slight discoloration may occur. This does not affect the function of the metal oil filter.
- Do not wash heavily soiled metal oil filters together with the dishes.

## 4 Cleaning and Maintenance

- Place the metal oil filters in the dishwasher loosely or freely. Metal oil filters should be placed in the dishwasher without being jammed.

### 4.2 Washing By Hand

- You can use a special oil dissolving agent for stubborn dirt. You can get this agent from the authorised sales center.
- Soften the metal oil filter in hot water containing dishwashing liquid.
- Use a brush for cleaning and wait for the liquid on the metal oil filter to be drained well. Rinse the filters well after cleaning.
- Technical specifications and this manual may be changed without prior notice.
- This appliance complies with the Regulation for Supervision of the Waste Electric and Electronic Equipment.
- This hood is designed to be used over the hob. Make sure that the wall can bear the weight of the hood. Cost of crushing, cutting and similar procedures to be carried out on the wall or cabinet during installation should be covered by the consumer. The hood may be used with a flue system that discharges the air, or without a flue (by attaching the carbon filter). Pay attention to the matters that may be encountered before or during the installation. Installation should be performed by the authorised service agent. Installation should be carried out by an authorised specialist who has knowledge of ventilation. Service life of the appliance identified by the Ministry of Industry (period of availability for the spare parts required for the performance of functions of the appliance) is 10 (ten) years.
- Your appliance must be kept in its original packaging to avoid damage to its components during handling and transportation.
- Keep the appliance in its normal position during handling.
- Do not drop the appliance and protect it against damage during transportation. Warranty does not cover the faults and damages occurred during transportation after delivery of the appliance to the customer.

## 5 Troubleshooting

<b>Troubleshooting</b>	<b>Reason</b>	<b>Help</b>
The product does not work.	Check your fuse.	Your fuse might be closed, make it work.
The product does not work.	Check the electrical connection.	The mains voltage should be between 220-240 V.
The product does not work.	Check the electrical connection.	Check if the other products in your kitchen are working or not.
The lighting lamp does not work.	Check the electrical connection.	The mains voltage should be between 220-240 V.
The lighting lamp does not work.	Check the lamp switch.	The lamp switch should be in the "on" position.
The lighting lamp does not work.	Check the lamps.	The lamps of the product should not be faulty.
The air intake of the product is poor.	Check the aluminum filter.	The aluminum oil filter should be cleaned at least once a month under normal conditions.
The air intake of the product is poor.	Check the air vent flue.	The air vent flue should be in the "on" position.
The air intake of the product is poor.	Check the carbon filter.	For products with carbon filters, the filter should normally be changed every 3 months.





# Bitte lesen Sie zunächst diese Anleitung!

Sehr geehrte Kundin, sehr geehrter Kunde,  
Vielen Dank, dass Sie sich für dieses Gerät der Marke Beko entschieden haben. Wir hoffen, dass Sie mit diesem Gerät, das mit den höchsten Qualitätsanforderungen und modernster Technologie hergestellt wurde, beste Ergebnisse erzielen. Bitte lesen Sie die gesamte Bedienungsanleitung und alle anderen Begleitdokumente aufmerksam, bevor Sie das Gerät verwenden; bewahren Sie sie zum künftigen Nachschlagen sicher auf. Wenn Sie das Gerät an jemanden weitergeben, händigen Sie ihm bitte auch diese Anleitung aus. Befolgen Sie die Anweisungen, indem Sie alle Informationen und Warnhinweise in der Bedienungsanleitung beachten.

Bitte denken Sie daran, dass diese Bedienungsanleitung eventuell für mehrere Modelle geschrieben wurde. Unterschiede zwischen den Modellen werden in der Anleitung klar und deutlich beschrieben.

## Bedeutung der Symbole

Folgende Symbole werden in den verschiedenen Abschnitten dieser Anleitung verwendet:

	Wichtige Informationen und nützliche Tipps zur Verwendung.
	<b>WARNUNG:</b> Warnhinweise zu gefährlichen Situationen im Hinblick auf die Sicherheit von Leib, Leben und Eigentum.
	Warnung vor Brandgefahr.
	Warnung vor Stromschlägen.



Dieses Gerät wurde in umweltfreundlichen, modernen Einrichtungen ohne schädliche Auswirkungen auf die Natur hergestellt.

# 1 Wichtige Hinweise zu Sicherheit und Umwelt

## 1.1 Allgemeine Sicherheit

Wichtige Sicherheitsanweisungen sorgfältig lesen und zum künftigen Nachschlagen aufbewahren

Dieser Abschnitt enthält Sicherheitsanweisungen, die beim Schutz vor Personen- und Sachschäden, Bränden, Stromschlägen und dem Austreten von Mikrowellenenergie helfen. Bei Nichtbeachtung dieser Anweisungen erlischt die Gewährleistung.

- Beko-Produkte stimmen mit geltenden Sicherheitsstandards überein; daher sollten Gerät oder Netzkabel zur Vermeidung von Gefahren im Falle von Schäden durch den Händler, ein Kundencenter oder einen spezialisierten, autorisierten Serviceanbieter repariert oder ersetzt werden. Fehlerhafte oder unqualifizierte Reparaturen können Gefahren und Risiken für den Benutzer verursachen.
- Dieses Gerät ist für den Einsatz in Haushalten und ähnlichen Bereichen vorgesehen, wie:
  - In Betriebsküchen, Läden, Büros und anderen Arbeitsumgebungen;
  - Bauernhöfen;
  - Von Gästen in Hotels und anderen Wohnumgebungen;

- Pensionen und Jugendherbergen.

- Das Gerät darf nur für seinen in dieser Anleitung beschriebenen vorgesehenen Zweck verwendet werden.
- Der Hersteller haftet nicht für Schäden, die auf unsachgemäße Installation oder fehlerhaften Gebrauch zurückzuführen sind.
- Das Gerät darf nur dann von Kindern ab 8 Jahren und Personen mit körperlichen oder geistigen Einschränkungen genutzt werden, wenn diese beaufsichtigt werden oder gründlich über den richtigen und sicheren Umgang mit dem Gerät aufgeklärt wurden und sich sämtlicher möglicher Gefahren bewusst sind.
- Kinder dürfen nicht mit dem Gerät spielen. Reinigungs- und Wartungsarbeiten dürfen nicht unbeaufsichtigt von Kindern ausgeführt werden.
- Der Abstand zwischen der Stützfläche für Kochgeschirr auf dem Kochfeld und dem niedrigsten Teil der Abzugshaube muss mindestens 65 cm betragen.
- Falls die Anweisungen zur Installation eines Gasherdes einen größeren Abstand angeben, ist dieser

# 1 Wichtige Hinweise zu Sicherheit und Umwelt

einzuhalten.

- Stellen Sie sicher, dass Ihre Stromversorgung mit den Angaben am Typenschild des Gerätes übereinstimmt.
  - Benutzen Sie das Gerät niemals, wenn das Netzkabel oder das Gerät selbst beschädigt ist.
  - Vermeiden Sie Schäden am Netzkabel, indem Sie es nicht quetschen, knicken oder über scharfe Kanten ziehen. Halten Sie das Netzkabel von heißen Oberflächen und offener Flamme fern.
  - Verwenden Sie das Gerät nur mit einer geerdeten Steckdose.
- WARNUNG:** Schließen Sie das Gerät erst nach vollständig abgeschlossener Installation an das Stromnetz an.
- Stellen Sie das Gerät so auf, dass der Netzstecker immer zugänglich ist.
  - Berühren Sie die Lampen nicht, falls sie lange Zeit in Betrieb waren. Sie könnten sich die Finger verbrennen, da die Lampen heiß werden.
  - Befolgen Sie die von zuständigen Behörden festgelegten Richtlinien zum Abführen von Abluft (diese Warnung ist bei Einsatz ohne Abzug nicht zutreffend).
  - Nehmen Sie Ihr Gerät erst in Betrieb, nachdem Sie ein Kochgeschirr auf das Kochfeld gestellt haben. Andernfalls könnte hohe Hitze zur Verformung von Teilen Ihres Geräts führen.
  - Schalten Sie die Kochfelder ab, bevor Sie das Kochgeschirr herunternehmen.
  - Lassen Sie kein heißes Öl auf das Kochfeld gelangen. Kochgeschirr mit heißem Öl kann sich selbst entzünden.
  - Achten Sie auf Vorhänge und Abdeckungen, da Öl beim Zubereiten von Lebensmitteln, wie Pommes frites, Feuer fangen kann.
  - Der Fettfilter muss mindestens einmal im Monat ersetzt werden. Der Kohlefilter muss mindestens alle 3 Monate ersetzt werden.
  - Das Produkt muss entsprechend der Bedienungsanleitung gereinigt werden. Falls die Reinigung nicht entsprechend der Bedienungsanleitung durchgeführt wird, besteht Brandgefahr.
  - Verwenden Sie kein nicht feuerbeständiges Filtermaterial anstelle des aktuellen Filters.
  - Verwenden Sie nur Originalteile



# 1 Wichtige Hinweise zu Sicherheit und Umwelt

und vom Hersteller empfohlene Teile.

- Verwenden Sie das Gerät nicht ohne Filter. Entfernen Sie die Filter nicht, während das Gerät läuft.
- Sollte sich etwas entzünden, unterbrechen Sie als erstes sofort die Energieversorgung.
- Ersticken Sie ein Feuer mit einer geeigneten Decke oder ähnlich, verwenden Sie zum Löschen niemals Wasser.
- Trennen Sie das Gerät vor jeder Reinigung und bei Nichtbenutzung von der Stromversorgung.
- Der Unterdruck in der Umgebung darf 4 Pa (4 x 10 bar) nicht überschreiten, während die Dunstabzugshaube für das elektrische Kochfeld und Geräte mit einer anderen Energiequelle als Strom gleichzeitig laufen.
- Falls sich ein mit Heizöl oder Brenngasen betriebenes Gerät, z. B. Heizungen, in der Nähe der Dunstabzugshaube befindet, muss die Abluft dieses Gerätes vollständig getrennt abgeführt werden oder es muss hermetisch sein.
- Verwenden Sie zum Anschluss des Abzugs Rohre mit einem Durch-

messer von 120 oder 150 mm. Der Rohranschluss muss möglichst kurz sein und sollte möglichst wenige Biegungen aufweisen.

**Verschluckungsgefahr!** Halten Sie alle Verpackungsmaterialien von Kindern fern.

**ACHTUNG:** Zugängliche Teile können bei Verwendung mit Kochgeräten heiß werden.

- Der Auslass des Produktes darf nicht an Luftkanäle angeschlossen werden, die auch andere Abluft abführen.
  - Die Belüftung im Raum reicht möglicherweise nicht aus, wenn die Abzugshaube für das elektrische Kochfeld gemeinsam mit Geräten, die mit Gas oder anderen Kraftstoffen laufen, betrieben wird (dies trifft möglicherweise nicht auf Geräte zu, die Luft zurück in den Raum abgeben).
  - Auf dem Produkt platzierte Gegenstände könnten herunterfallen. Stellen Sie keine Gegenstände auf das Produkt.
  - Flambieren Sie nicht unter dem Gerät.
- WARNUNG:** Entfernen Sie vor Installation der Dunstabzugshaube die Schutzfolien.

# 1 Wichtige Hinweise zu Sicherheit und Umwelt

- Achten Sie darauf, dass niemals hohe offene Flammen unter der Dunstabzugshaube entstehen, wenn diese in Betrieb ist.
- Fritteusen müssen während der Benutzung kontinuierlich überwacht werden; überhitztes Öl kann Feuer fangen.

## 1.2 Konformität mit der WEEE-Richtlinie und Entsorgung von Altgeräten

Dieses Gerät erfüllt die europäische WEEE-Richtlinie (2012/19/EU). Dieses Produkt trägt ein Klassifizierungssymbol für elektrische und elektronische Altgeräte (WEEE).



Dieses Symbol weist darauf hin, dass dieses Gerät am Ende seiner Lebensdauer nicht zusammen mit anderen Haushaltsabfällen entsorgt werden darf. Altgeräte müssen an eine offizielle Sammelstelle zum Recycling von elektrischen und elektronischen Geräten übergeben werden. Nähere Angaben zu diesen Sammelstellen erhalten Sie von Ihrer Stadtverwaltung oder dem Händler, bei dem Sie das Gerät erworben haben. Jeder Haushalt spielt eine wichtige Rolle

bei der Wiederverwertung und dem Recycling von Altgeräten.

Die sachgemäße Entsorgung von Altgeräten trägt dazu bei, mögliche negative Auswirkungen auf die Umwelt und die menschliche Gesundheit zu vermeiden.

## 1.3 Konformität mit der RoHS-Richtlinie

Das von Ihnen erworbene Gerät erfüllt die europäische RoHS-Richtlinie (2011/65/EU). Es enthält keine in der Richtlinie angegebenen gefährlichen und verbotenen Materialien.

## 1.4 Hinweise zur Verpackung



Die Verpackungsmaterialien des Produktes sind aus recyclingfähigen Materialien entsprechend unseren nationalen Umweltschutzbestimmungen hergestellt. Entsorgen Sie die Verpackungsmaterialien nicht mit dem Hausmüll oder anderem Müll. Bringen Sie sie zu einer von der Stadtverwaltung bereitgestellten Sammelstelle für Verpackungsmaterial.

# 1 Wichtige Hinweise zu Sicherheit und Umwelt

## 1.5 Lebensgefahr Vergiftungsgefahr



Abb. 1: Vergiftungsgefahr



Abb. 2: Vergiftungsgefahr



### **Gefahr!** **Warnung -** **Erstickungsgefahr**

Verpackungsmaterialien sind für Kinder gefährlich. Lassen Sie Kinder nicht mit den Verpackungsmaterialien spielen.

### **Gefahr!** **Warnung - Lebensgefahr**

Lebensgefahr, Vergiftungsgefahr durch Einatmen von Verbrennungsgasen. Verwenden Sie das Gerät beim Einsatz mit einem Luftauslass nicht gemeinsam mit Gegenständen, die giftige Gase ausstoßen, wie z. B. Öfen mit Luftzirkulation, Badezimmeröfen, Warmwasserbereitern usw., die mit Gas, Öl, Holz oder Kohle betrieben werden, sofern keine angemessene Versorgung mit Frischluft gewährleistet ist. Abb. 3



Gegenstände mit Luftzirkulation (z. B. mit Gas, Öl, Holz oder Kohle betriebene Öfen, Badezimmeröfen, Warmwasserbereiter) verbrauchen die Luft am Installationsort und stoßen über ein Abgassystem (z. B. Abzug) Abgase aus. Während des Betriebs saugt das Gerät Luft aus der Küche und benachbarten Räumen ab. Ein Vakuum entsteht, wenn die Umgebung nicht mit genügend frischer Luft versorgt wird. In diesem Fall könnte giftiges Gas aus Abzug und Abgassystem zurück in den Raum und in die Wohnumgebung strömen. Abb. 1

Aus diesem Grund muss immer eine angemessene Versorgung mit sauberer Luft gewährleistet sein. Abb. 2

# 1 Wichtige Hinweise zu Sicherheit und Umwelt



## Warnung! Brandgefahr!

Ölschlamm am Ölfilter kann Feuer fangen. Reinigen Sie den Ölfilter mindestens einmal alle eine Monat. Betreiben Sie das Gerät nie ohne Ölfilter. Reinigen Sie den Kohlefilter mindestens einmal alle drei Monate.

Ölschlamm am Ölfilter kann Feuer fangen. Arbeiten Sie in der Nähe des Gerätes niemals mit offenen Flammen (z. B. zum Flambieren). Das Gerät darf nur dann in der Nähe eines mit Festbrennstoff (z. B. Holz oder Kohle) betriebenen Heizgerätes installiert werden, wenn dieses über eine geschlossene, nicht abnehmbare Abdeckung verfügt. Es dürfen keine Funken verursacht werden.

Heißes Pflanzenöl und Fett fangen leicht Feuer. Seien Sie bei heißen Pflanzenölen und Fetten immer vorsichtig. Versuchen Sie niemals, ein Fett- oder Ölfeuer mit Wasser zu löschen.

Schalten Sie zuerst das Kochfeld aus. Decken Sie die Flamme mit einem Deckel, einer Feuerlöschdecke oder einem ähnlichen Gegenstand ab.



Gasherde, auf denen sich keine Kochutensilien befinden, erzeugen während des Betriebs große Hitze. Daher kann eine darüber installierte Abzugshaube beschädigt werden oder Feuer fangen. Betreiben Sie Gasherde nur, wenn sich ein Kochutensil darauf befindet.

Wenn gleichzeitig mehr als ein Gaskochfeld in Betrieb ist, entsteht große Hitze. Daher kann eine darüber installierte Abzugshaube beschädigt werden oder Feuer fangen. Lassen Sie zwei Gaskochfelder nicht länger als 15 Minuten bei hoher Flammenstufe arbeiten. Ein Brenner mit mehr als 5 kW Leistung (Wok) entspricht einem Brenner mit zwei Gasstufen.

# 1 Wichtige Hinweise zu Sicherheit und Umwelt

## Warnung! Gefahr von Stromschlägen!

Ein fehlerhaftes Gerät kann Stromschläge verursachen. Nehmen Sie ein fehlerhaftes Gerät nicht in Betrieb. Trennen Sie den Netzstecker oder deaktivieren Sie die Sicherung im Sicherungskasten. Wenden Sie sich an den Kundendienst.

Nicht mit den Anweisungen übereinstimmende Reparaturen bergen Gefahren. Ein defektes Netzkabel darf nur von einem Kundendienstmitarbeiter, der von unserem Unternehmen geschult wurde, repariert oder gewechselt werden. Trennen Sie den Netzstecker oder deaktivieren Sie die Sicherung im Sicherungskasten, falls das Gerät defekt ist. Wenden Sie sich an den Kundendienst.

Wenn Wasser in das Gerät gelangt, besteht Stromschlaggefahr. Hochdruck- oder Dampfreiniger dürfen nicht daran verwendet werden.



## Achtung

Zugängliche Teile können bei Verwendung mit Kochgeräten heiß werden.



Wurde eine Reparatur unsachgemäß oder vorschriftswidrig ausgeführt, schalten Sie die Gerätesicherung ab oder ziehen Sie den Gerätestecker heraus. Reparaturarbeiten dürfen nur von autorisiertem Servicepersonal durchgeführt werden.



Wurde eine Reparatur unsachgemäß oder vorschriftswidrig ausgeführt, schalten Sie die Gerätesicherung ab oder ziehen Sie den Gerätestecker heraus. Reparaturarbeiten dürfen nur von autorisiertem Servicepersonal durchgeführt werden.

# 1 Wichtige Hinweise zu Sicherheit und Umwelt



## **Gefahr!** **Verbrennungsgefahr,** **Stromschlaggefahr!**

Warten Sie, bis sich das Gerät abgekühlt hat, bevor Sie Reinigungs- oder Wartungsarbeiten durchführen. Deaktivieren Sie vorher die Sicherung oder ziehen Sie den Netzstecker.

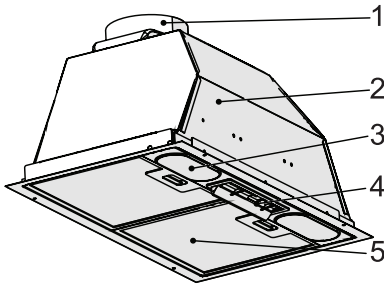
Wenn Feuchtigkeit in Elektronik eindringt, können Schäden auftreten. Reinigen Sie die Bedienelemente niemals mit einem nassen Tuch.

Die Oberflächen können aufgrund unsachgemäßer Reinigung beschädigt werden. Reinigen Sie Edelstahlfächen nur in Bürstrichtung. Verwenden Sie für die Bedienelemente keine Edelstahlreiniger.

Die Oberfläche könnte aufgrund scheuernder oder reibender Reinigungsmittel beschädigt werden. Verwenden Sie niemals scheuernde oder reibende Reinigungsmittel.

## 2 Aufbau

### 2.1 Übersicht



1. Abluftkanal
2. Gehäuse
3. Kochfeldbeleuchtung
4. Bedienfeld
5. Aluminium-ÖlfILTER

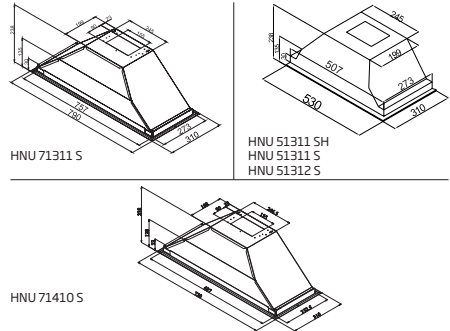
### 2.2 Technische Daten

**CE** Dieses Gerät erfüllt die europäischen CE-Richtlinien 2014/30/EU (Richtlinie über elektromagnetische Verträglichkeit) und 2014/35/EU (Niederspannungsrichtlinie).

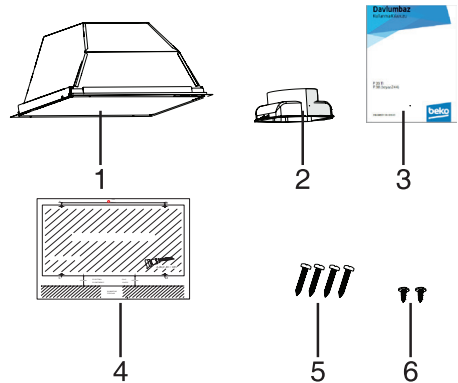
Versorgungsspannung	220 - 240 V, 50 Hz.
Lampenleistung (W)	2 x 3 W
Motorleistung (W)	1 x 185 W
Motor-Isolationsklasse	F
Isolationsklasse	Klasse I

Technische und optische Änderungen vorbehalten. Die in den technischen Zeichnungen angegebenen Abmessungen sind in mm. Die Abbildung dient nur dazu, über die Teile des Gerätes zu informieren. Teile können je nach Gerätemodell variieren. Die Abbildungen dienen nur der Veranschaulichung.

### 2.3 Maßstabgetreue technische Zeichnung



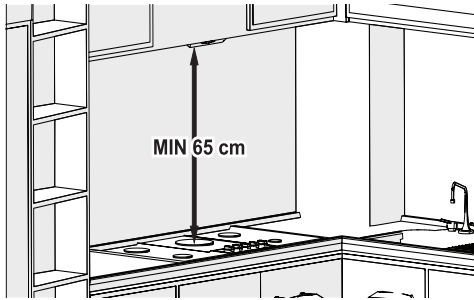
### 2.4 Lieferumfang



1. Dunstabzugshaube
2. Kunststoffabzug (Ø 120 mm)
3. Bedienungsanleitung
4. Installationsentwurf
5. Schrauben 4 X 3,9 X 32 (zur Installation der Abzugshaube)
6. Schrauben 3,5 x 9,5 (zur Installation des Kunststoffabzugs)

# 3 Installation und Verwendung des Geräts

## 3.1 Gerät positionieren



- Achten Sie vor der Installation auf den Abstand zwischen Kochfeld und Abzugshaube. Der Abstand sollte 65 cm betragen.
- Messen Sie dazu ab der Gitterfläche von Gaskochfeldern bzw. ab der Glasfläche von elektrischen Kochfeldern.



Ihr neues Gerät ist besonders energieeffizient. Hier finden Sie einige Hinweise, wie Sie bei Verwendung des Gerätes zusätzliche Energie sparen können. Außerdem erfahren Sie hier mehr über die sachgemäße Außerbetriebnahme des Gerätes.

## 3.2 Hinweise zum Energiesparen

- Gewährleisten Sie eine angemessene Luftzufuhr, damit die Abzugshaube effizient und möglichst leise arbeiten kann.
- Stellen Sie die Gebläsestufe entsprechend der Dichte der Küchenabgase ein. Verwenden Sie eine hohe Stufe nur im Bedarfsfall. Eine geringere Gebläsestufe bedeutet geringeren Stromverbrauch.
- Falls dichter Rauch in der Küche zu erwarten ist, sollten Sie vorab eine höhere Gebläsestufe einstellen. Zur Entfernung von weit in der Küche verteiltem Rauch muss die Abzugshaube deutlich länger arbeiten.

- Schalten Sie die Dunstabzugshaube aus, wenn nicht gekocht wird.
- Reinigen oder wechseln Sie den Filter in den angegebenen Intervallen. Dies erhöht die Belüftungseffizienz und eliminiert die Brandgefahr.

## 3.3 Montage des Geräts



### Achtung

Tragen Sie beim Bohren und Schneiden immer Sicherheitshandschuhe und eine Schutzbrille.

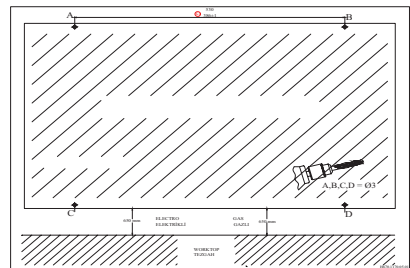


Abb. 6

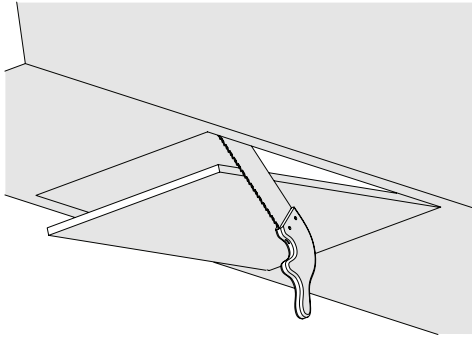
## 3.4 Montagelöcher bohren

- Heften Sie die mitgelieferte Installationsschablone auf die Fläche, an der die Installation ausgeführt werden soll.
- Bohren Sie mit einem 4 mm-Bohrer Löcher in die mit A, B, C, und D an der Installationsschablone gekennzeichneten Stellen. Abb. 6



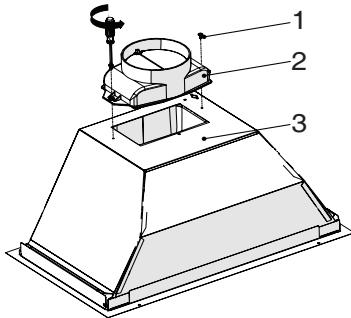
### 3 Installation und Verwendung des Geräts

Abb. 7



- Schneiden Sie die Bodenfläche des Schrankes aus, in der die Abzugshaube installiert werden soll. Beachten Sie die Abmessungen in der technischen Zeichnung (Abb. 7).

Abb. 8



1. Schrauben 3,5 x 9,5
  2. Kunststoffabzug (Ø 120 mm)
  3. Gehäuseventilhalter
- Bringen Sie den mitgelieferten Kunststoffabzug mit 2 Schrauben (3,5 x 9,5) am Gehäuse des Geräts an. (Abb. 8) Reiben Sie nicht fest über seine Oberflächen. Abb. 8

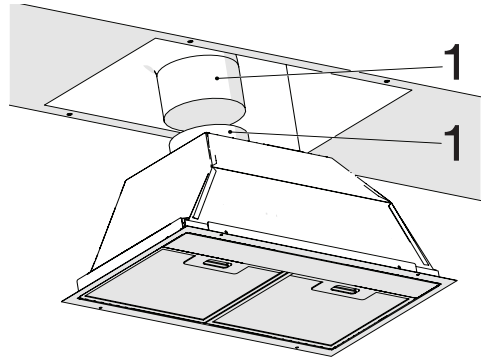


Abb. 9

1. Abluftrohr
  2. Abluftkanal der Abzugshaube
- Bringen Sie das Abluftrohr am Abluftkanal an und befestigen Sie es mit der Klemme (Abb. 9)

#### Achtung



Da Knicke und Biegungen im Aluminiumrohr die Luftsaugleistung verringern, sollten sie nach Möglichkeit vermieden werden.

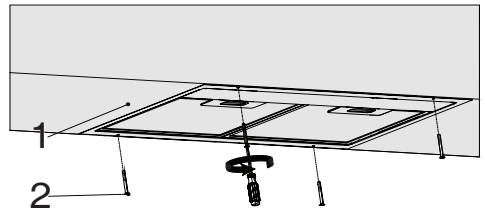


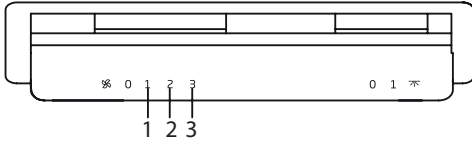
Abb. 10

1. Unteransicht Küchenschrank
  2. Schrauben zur Installation der Abzugshaube (4 X 3,9 X 32)
- Platzieren Sie die Abzugshaube im Küchenschrank und bringen Sie sie in den 4 vorgebohrten Installationslöchern (Abb. 10).

# 3 Installation und Verwendung des Geräts

## 3.5 Verwendung des Geräts

### 3.5.1 Nutzung des Kippschalters



- Bringen Sie den Lampenschalter zum Abschalten der Lampe in die Position „0“.
- Bringen Sie den Lampenschalter zum Einschalten der Lampe in die Position „1“.
- Bringen Sie den Motorschalter zum Abschalten des Motors in die Position „0“.
- Sie können den Motor je nach Dichte der Küchendämpfe bei minimaler bis maximaler Geschwindigkeitsstufe (3 Stufen) arbeiten lassen.

## 3.6 Auswechseln der Leuchtmittel

### 3.6.1 Kerzenlampe ersetzen



#### Warnung

Unterbrechen Sie vorher die Stromversorgung der Abzugshaube. Heiße Lampen können Verbrennungen verursachen. Lassen Sie sie daher erst abkühlen, bevor Sie sie berühren.

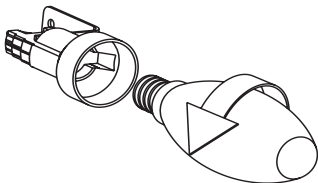


Abb. 11: Kerzenlampe ersetzen

- Entfernen Sie den Aluminium-Kerzenfilter. Entfernen Sie die defekte Lampe und setzen Sie eine Lampe mit den gleichen Werten ein. Abb. 11

#### Hinweis:

Deaktivieren Sie die Sicherung oder ziehen Sie den Netzstecker und wenden Sie sich an den Kundendienst, falls das Gerät beschädigt wird oder nicht richtig funktioniert.



#### Hinweis:

Falls das Netzkabel beschädigt ist, muss es zur Vermeidung von Gefahren vom Hersteller, seinem Kundencenter oder vergleichbar qualifizierten Personen ersetzt werden



#### Hinweis:

Deaktivieren Sie die Sicherung oder ziehen Sie den Netzstecker, falls Lampen des Gerätes ausfallen. Ersetzen Sie defekte Lampen immer sofort, damit andere Lampen nicht überlastet werden (warten Sie jedoch zunächst, bis sie sich abgekühlt haben).



## 3 Installation und Verwendung des Geräts

### **Gefahr!** **Verletzungsgefahr!**

Aufgrund scharfer Kanten besteht während der Installation Verletzungsgefahr. Tragen Sie während der Installation des Geräts immer Sicherheitshandschuhe.

Alle Sicherungsbolzen und Schutzabdeckungen müssen entsprechend den Anweisungen in der Bedienungsanleitung montiert werden, damit das Gerät nicht herunterfällt.

Geräte auf dem Gerät könnten herunterfallen. Stellen Sie keine Gegenstände auf dem Gerät ab.

Das LED-Licht ist sehr hell und könnte Ihren Augen schaden (Gefahrengruppe 1). Blicken Sie nicht länger als 100 Sekunden direkt in das LED-Licht.



### **Achtung**

Zugängliche Teile können bei Verwendung mit Kochgeräten heiß werden.



Wurde eine Reparatur unsachgemäß oder vorschriftswidrig ausgeführt, schalten Sie die Gerätesicherung ab oder ziehen Sie den Gerätestecker heraus. Reparaturarbeiten dürfen nur von autorisiertem Servicepersonal durchgeführt werden.



Wurde eine Reparatur unsachgemäß oder vorschriftswidrig ausgeführt, schalten Sie die Gerätesicherung ab oder ziehen Sie den Gerätestecker heraus. Reparaturarbeiten dürfen nur von autorisiertem Servicepersonal durchgeführt werden.

## 4 Reinigen und pflegen

### **Gefahr!** **Verbrennungsgefahr,** **Stromschlaggefahr!**

Warten Sie, bis sich das Gerät abgekühlt hat, bevor Sie Reinigungs- oder Wartungsarbeiten durchführen. Deaktivieren Sie vorher die Sicherung oder ziehen Sie den Netzstecker.

Wenn Feuchtigkeit in Elektronik eindringt, können Schäden auftreten. Reinigen Sie die Bedienelemente niemals mit einem nassen Tuch.

Die Oberflächen können aufgrund unsachgemäßer Reinigung beschädigt werden. Reinigen Sie Edelstahlflächen nur in Bürstrichtung. Verwenden Sie für die Bedienelemente keine Edelstahlreiniger.

Die Oberfläche könnte aufgrund scheuernder oder reibender Reinigungsmittel beschädigt werden. Verwenden Sie niemals scheuernde oder reibende Reinigungsmittel.



### **Achtung**

Gefahr von Schäden aufgrund von Korrosion. Nehmen Sie das Gerät beim Nutzen des Herds immer in Betrieb, damit sich kein Kondensat ansammelt. Kondensat kann Korrosionsschaden verursachen. Ersetzen Sie defekte Lampen immer sofort, damit andere Lampen nicht überlastet werden. Wenn Feuchtigkeit in Elektronik eindringt, können Schäden auftreten. Reinigen Sie die Bedienelemente niemals mit einem nassen Tuch. Die Oberflächen können aufgrund unsachgemäßer Reinigung beschädigt werden. Reinigen Sie Edelstahlflächen nur in Bürstrichtung. Verwenden Sie für die Bedienelemente keine Edelstahlreiniger. Die Oberfläche könnte aufgrund scheuernder oder reibender Reinigungsmittel beschädigt werden. Verwenden Sie niemals scheuernde oder reibende Reinigungsmittel. Wenn Kondensat zurückfließt, können Schäden auftreten. Installieren Sie den Luftaustrittskanal mit einem ab dem Gerät um 1° geneigten Gefälle.



### **Achtung**

Sie können das Gerät im Abluft- oder Zirkulationsmodus betreiben.



## 4 Reinigen und pflegen

### Abluftmodus

Die angesaugte Luft wird durch Ölfilter gereinigt und durch ein Abluftrohrsystem ausgestoßen. (Abb. 3) Falls Sie die Abluft in einen außer Betrieb genommenen Kamin oder Abluftkanal leiten möchten, müssen Sie eine Genehmigung von einem zugelassenen Schornsteinfeger einholen. Falls die Abluft über die Außenwand ausgestoßen wird, sollte ein Teleskopwandrahmen verwendet werden.



Die abgesaugte Luft wird durch Ölfilter und einen Aktivkohlefilter gereinigt und wieder in die Küche ausgestoßen. Abb. 4



### Hinweis!

Die Abluft sollte weder in einen Kamin oder Abluftkanal noch zu einem zur Belüftung von Orten mit installierten Heizquellen verwendeten Abzug geleitet werden.



Installieren Sie einen Aktivkohlefilter, damit die Luft im Zirkulationsmodus von Gerüchen befreit wird. Erkundigen Sie sich bei Ihrem autorisierten Händler nach den verschiedenen Möglichkeiten, das Gerät im Zirkulationsmodus zu betreiben. Sie können das für dieses Verfahren benötigte Zubehör bei qualifizierten Verkaufsstellen, autorisierten Servicevertretern oder im Online-Handel erwerben.



Das von Ihnen erworbene Gerät eignet sich für den Einsatz mit einem Aktivkohlefilter. Aktivkohlefilter einsetzen:

1. Setzen Sie den Aktivkohlefilter in sein Gehäuse ein. Abb. 15/1
2. Drehen Sie den Kohlefilter zur Sicherung seines Sitzes im Uhrzeigersinn. Abb. 15/2



Res.13



Res.14



Res.15



Falls der Kohlefilter nicht richtig angebracht ist, könnte er herunterfallen und Ihr Gerät beschädigen.



### Achtung

Versuchen Sie niemals, Kohlefilter zu reinigen. Halten Sie Kohlefilter immer von Kindern fern.



### Achtung

Reinigung und Wartung dürfen nicht von Kindern durchgeführt werden, sofern sie nicht beaufsichtigt werden.

- Die Oberfläche könnte aufgrund scheuernder oder reibender Reinigungsmittel beschädigt werden. Verwenden Sie niemals scheuernde oder reibende Reinigungsmittel. Erwerben Sie für Ihr Gerät geeignete Reinigungsmittel und Schutzmaterialien beim autorisierten Kundendienst. Die Oberfläche von Gerät und Bedienelementen ist anfällig für Kratzer.
- Reinigen Sie Oberflächen mit einem weichen, feuchten Tuch mit etwas und Spülmittel oder einem milden Glasreiniger. Weichen Sie getrockneten, anhaftenden Schmutz mit einem feuchten Tuch auf. Kratzen Sie ihn nicht ab!
- Trockene Tücher oder Schwämme, die Kratzer verursachen können, reibende oder scheuernde Reinigungsmaterialien sowie Reinigungsmittel mit Säure oder Chlorid sind nicht geeignet.
- Reinigen Sie Edelstahlflächen nur in Bürstichtung.

## 4 Reinigen und pflegen

- Verzichten Sie an den Bedienelementen auf Edelstahlreiniger und feuchte Tücher. Metallölfilter reinigen Die metallischen Ölfilter absorbieren die in der Küche erzeugte Feuchtigkeit und die Fettpartikel im Dampf. Reinigen Sie die metallischen Ölfilter bei regelmäßiger Benutzung (1 bis 2 Stunden pro Tag) einmal alle 3 Monate.
- Verwenden Sie keine übermäßig starken, säurehaltigen oder korrosiven Reinigungsmittel.
- Reinigen Sie die Befestigungsteile der metallischen Ölfilter im Gerät mit einem feuchten Tuch.
- Sie können die metallischen Ölfilter im Geschirrspüler oder von Hand spülen.
- Tragen Sie Sprühreiniger nicht direkt auf das Gerät auf.
- Stellen Sie keine entflammaren und/oder schweren Gegenstände auf dem Gerät ab.

### 4.1 Reinigung im Geschirrspüler

- Beim Reinigen im Geschirrspüler kann es zu einer geringfügigen Verfärbung des Filters kommen. Dies wirkt sich nicht auf die Funktion der metallischen Ölfilter aus.
- Spülen Sie stark verschmutzte Ölfilter nicht gemeinsam mit Geschirr.
- Positionieren Sie metallische Ölfilter lose im Geschirrspüler. Metallische Ölfilter sollten so im Geschirrspüler platziert sein, dass sie nichts blockieren.

### 4.2 Von Hand spülen

- Verwenden Sie bei hartnäckigem Schmutz ein spezielles Mittel zum Auflösen von Öl. Sie erhalten ein solches Mittel bei autorisierten Verkaufsstellen.
- Lassen Sie metallische Ölfilter in mit etwas Spülmittel versetztem heißem Wasser einweichen.
- Verwenden Sie zur Reinigung eine Bürste und lassen Sie die Reinigungsflüssigkeit lang genug einwirken. Spülen Sie die Filter nach der Reinigung gründlich ab.
- Technische Daten sowie diese Anleitung können ohne Vorankündigung geändert werden.
- Dieses Gerät erfüllt die Richtlinie zur Überwachung elektrischer und elektronischer Altgeräte.
- Diese Abzugshaube ist zur Montage über einem Kochfeld ausgelegt. Achten Sie darauf, dass die Wand das Gewicht der Abzugshaube tragen kann. Kosten für Arbeiten, die während der Installation an der Wand oder am Schrank ausgeführt werden müssen, werden dem Kunden berechnet. Die Abzugshaube kann mit einem Abluftsystem verwendet werden, das die Luft ableitet. Sie funktioniert aber auch ohne Abzug (durch Anbringung eines Kohlefilters). Beachten Sie erforderliche Maßnahmen vor oder während der Installation. Die Installation sollte vom autorisierten Kundendienst durchgeführt werden. Die Installation sollte von einem autorisierten Experten mit Kenntnissen zum Thema Belüftung durchgeführt werden. Die vom Industrieministerium ausgewiesene Servicelebensdauer des Gerätes (Dauer der Verfügbarkeit von für die Funktionsfähigkeit des Gerätes erforderlichen Ersatzteilen) beträgt 10 (zehn) Jahre.
- Packen Sie Ihr Gerät beim Transportieren zum Schutz seiner Komponenten in seine Originalverpackung ein.
- Halten Sie das Gerät während des Transports in seiner normalen Position.
- Lassen Sie das Gerät nicht fallen. Schützen Sie es während des Transports vor Schäden. Die Garantie deckt keine Mängel oder Schäden ab, die während eines weiteren Transports nach Auslieferung des Gerätes an den Kunden auftreten.

## 5 Troubleshooting

<b>Troubleshooting</b>	<b>Reason</b>	<b>Help</b>
The product does not work.	Check your fuse.	Your fuse might be closed, make it work.
The product does not work.	Check the electrical connection.	The mains voltage should be between 220-240 V.
The product does not work.	Check the electrical connection.	Check if the other products in your kitchen are working or not.
The lighting lamp does not work.	Check the electrical connection.	The mains voltage should be between 220-240 V.
The lighting lamp does not work.	Check the lamp switch.	The lamp switch should be in the "on" position.
The lighting lamp does not work.	Check the lamps.	The lamps of the product should not be faulty.
The air intake of the product is poor.	Check the aluminum filter.	The aluminum oil filter should be cleaned at least once a month under normal conditions.
The air intake of the product is poor.	Check the air vent flue.	The air vent flue should be in the "on" position.
The air intake of the product is poor.	Check the carbon filter.	For products with carbon filters, the filter should normally be changed every 3 months.

## Garantiebedingungen

### **Anschrift:**

Beko Deutschland GmbH  
Thomas-Edison-Platz 3  
D-63263 Neu-Isenburg

Kundendienst-Tel.: 06102-86 86 891

Fax: 01805-414 400 \*

E-Mail: Kundendienst@beko.com

Ersatzteile-Tel.: 01805-242 515 \*

Fax: 01805-345 001\*

E-Mail: ersatzteile@beko.com

Sehr geehrte Kundin, sehr geehrter Kunde,

wir gratulieren Ihnen zum neuen Gerät der Marke Beko und wünschen Ihnen viel Freude daran. Sollten Sie dennoch einmal einen Grund zu einer Reklamation erkennen, dann wenden Sie sich bitte an unseren Kundendienst. Geben Sie im Falle einer Störung Ihre genaue Anschrift, Telefonnummer und den GERÄTETYP (vom Typenschild des Gerätes) an.

### **Hinweis für Kühl- und Gefriergeräte, Achtung!**

Um voll funktionsfähig zu sein, benötigt Ihr Gerät nach dem Transport ca. 24 Stunden, in denen sich das Kühlmittel stabilisiert. Sofern es nicht vermeidbar ist und Sie das Gerät sofort nach Aufstellung mit Gefriergut bestücken wollen, müssen Sie damit rechnen, dass die rote Lampe bis zur Stabilisierung des Kühlkreislaufs aufleuchtet. Die Kühlleistung beginnt jedoch vom Augenblick des Anschlusses an sich auf zu bauen.

### **Die Garantiezeit beträgt 24 Monate ab Kaufdatum.**

#### **Bedingungen:**

Dieses Gerät wurde nach den modernsten Methoden hergestellt und geprüft. Der Hersteller leistet unabhängig von der gesetzlichen Gewährleistungsverpflichtung des Verkäufers / Händlers für die Dauer von 24 Monaten, gerechnet vom Tag des Kaufes, Garantie für einwandfreies Material und fehlerfreie Fertigung.

Der Garantieanspruch erlischt bei Eingriffen durch den Käufer oder durch Dritte, die vom Hersteller nicht für den Service autorisiert sind oder wenn das Gerät zu gewerblichen Zwecken eingesetzt wird. Schäden die durch unsachgemäße Behandlung oder Bedienung, durch falsches Aufstellen oder Aufbewahren, durch unsachgemäßen Anschluss, oder fehlerhafte Installationen sowie durch höhere Gewalt oder sonstige äußere Einflüsse entstehen, fallen nicht unter die Gewährleistung.

#### **Abhilfemöglichkeiten:**

Wir behalten uns vor, bei Reklamationen die defekten Teile auszubessern oder zu ersetzen oder das Gerät auszutauschen. Ausgetauschte Teile oder ausgetauschte Geräte gehen in unser Eigentum über. Nur wenn durch Nachbesserung(en) oder Umtausch des Gerätes die herstellereitig vorgesehene Nutzung endgültig nicht zu erreichen sein sollte, kann der Käufer aus Gewährleistung innerhalb von 24 Monaten, gerechnet vom Tag des Kaufes, Herabsetzung des Kaufpreises oder Aufhebung des Kaufvertrages verlangen. Nachbesserungen verlängern nicht die Gewährleistungszeit. Schadenersatzansprüche, auch hinsichtlich Folgeschäden, sind, soweit sie nicht auf Vorsatz oder grober Fahrlässigkeit beruhen, ausgeschlossen.

Bei unnötiger oder unberechtigter Beanspruchung des Kundendienstes berechnet dieser Zeit- und Wegeentgelt. Reklamationen sind unmittelbar nach Feststellung zu melden. Der Garantieanspruch ist vom Käufer, durch Vorlage der Kaufquittung, nachzuweisen. Bei Nicht-vorlage ist die Reparatur kostenpflichtig. Eine Rückerstattung – nach späterer Einsendung der Kaufquittung – kann nur innerhalb von einem Monat nach Rechnungsdatum gewährt werden.

**Diese Garantiezusage ist gültig innerhalb der Bundesrepublik Deutschland  
) 0,14 EUR/Min. aus dem Festnetz der T-Com; Mobilfunk max. 0,42 EUR/Min. (nur für Deutschland)**



# Avant toute chose, veuillez lire ce manuel d'utilisation !

Chère cliente, cher client,

Merci d'avoir choisi cet appareil Beko. Nous espérons que cet appareil, fabriqué dans des installations modernes et soumis à un processus de contrôle qualité rigoureux, vous offre les meilleures performances possible. C'est pourquoi nous vous recommandons, avant d'utiliser l'appareil, de lire attentivement et complètement ce manuel d'utilisation ainsi que tous les autres documents fournis et de les conserver soigneusement pour utilisation future. Si vous cédez l'appareil à quelqu'un d'autre, remettez-lui également le manuel d'utilisation. Suivez les instructions en accordant une attention particulière à toutes les informations et les avertissements contenus dans le manuel d'utilisation.

Notez que ce manuel d'utilisation peut également s'appliquer à d'autres modèles. Les différences entre les modèles sont clairement décrites dans le manuel.

## Signification des symboles

Les pictogrammes suivants sont repris tout au long de ce manuel :

 Informations importantes et conseils utiles concernant l'utilisation de l'appareil.

 **AVERTISSEMENT :** Avertissement sur les situations dangereuses concernant la sécurité des biens et des personnes.

 Avertissement contre le risque d'incendie.

 Avertissement contre le risque d'électrocution.



Cet appareil a été fabriqué dans des usines modernes respectueuses de l'environnement et sans causer des dommages à la nature.

# 1 Instructions importantes en matière de sécurité et d'environnement

## 1.1 Consignes générales de sécurité

Consignes de sécurité importantes  
- Lire attentivement et conserver pour référence ultérieure

Cette section contient les consignes de sécurité qui aident à se prémunir contre les risques d'incendie, d'électrocution, d'exposition aux fuites d'énergie à micro-ondes, de dommages corporels ou de dégâts matériels. Le non-respect de ces instructions entraînera l'annulation de toute garantie.

- Les produits Beko sont conformes aux normes de sécurité applicables. Par conséquent, en cas de dommage sur l'appareil ou son câble d'alimentation, le faire réparer ou remplacer par le revendeur, le centre SAV, un spécialiste ou des services habilités afin de prévenir tout danger. Des réparations défectueuses et non professionnelles peuvent être sources de danger et de risque pour l'utilisateur.
- Cet appareil est conçu pour un usage domestique et des utilisations similaires comme :
  - dans les coins cuisine du personnel dans les magasins, bureaux, et

autres environnements de travail ;

- les fermes

- Par les clients des hôtels et autres types d'environnements résidentiels ;

- et dans les chambres d'hôte.

- Utiliser l'appareil uniquement aux fins pour lesquelles il a été conçu, comme décrit dans les présentes instructions.
- Le fabricant n'est pas responsable des dommages résultant d'une mauvaise installation ou d'une mauvaise utilisation du produit.
- Cet appareil peut être utilisé par des enfants de 8 ans minimum, des personnes à capacités physiques, sensorielles ou mentales réduites et des personnes manquant d'expérience ou de connaissances suffisantes en la matière, à condition qu'elles aient été préparées à un maniement sécurisé de l'appareil et qu'elles aient pleinement conscience des risques encourus.
- Les enfants n'ont pas le droit de jouer avec l'appareil. Le nettoyage et l'entretien de l'appareil ne doivent pas être effectués par des enfants laissés sans surveillance.

# 1 Instructions importantes en matière de sécurité et d'environnement

- La distance minimale entre la surface d'appui des récipients de cuisson sur la plaque de cuisson et la partie la plus basse de votre produit doit être d'au moins 65 cm.
  - Si des instructions relatives à l'installation de la plaque à gaz exigent plus de distance, prenez-les en compte.
  - S'assurer que la source d'alimentation électrique est conforme aux informations spécifiées sur la plaque signalétique de l'appareil.
  - Ne jamais utiliser l'appareil si le câble d'alimentation ou l'appareil lui-même est endommagé.
  - Pour éviter d'endommager le câble d'alimentation, éviter de l'aplatir, de le plier ou même de le frotter contre des bords coupants. Éloigner le câble d'alimentation de toute surface brûlante et des flammes.
  - Utilisez l'appareil uniquement avec une prise de terre.
- AVERTISSEMENT :** Ne branchez pas l'appareil sur le secteur avant la fin de l'installation.
- Placer l'appareil de sorte que la prise soit toujours accessible.
  - Ne touchez pas les lampes si elles ont été utilisées pendant une longue période. Elles sont chaudes et risqueraient donc de provoquer des brûlures aux mains.
  - Respectez la réglementation des autorités compétentes en matière d'évacuation de l'air évacué (cette mise en garde ne s'applique pas à l'utilisation sans conduit).
  - Faites fonctionner votre appareil après avoir posé une casserole, une poêle, etc. sur la plaque de cuisson. Autrement, la température élevée peut provoquer la déformation de certaines pièces de votre produit.
  - Éteignez la plaque de cuisson avant d'en retirer la casserole, la poêle, etc.
  - Ne laissez pas d'huile chaude sur la plaque de cuisson. Les casseroles contenant de l'huile chaude peuvent s'enflammer.
  - Faites attention à vos rideaux et à vos couvertures, car l'huile peut prendre feu pendant la cuisson de certains aliments, comme les frites.
  - Le filtre à graisse doit être remplacé au moins une fois par mois. Le filtre à charbon doit être remplacé au moins tous les 3 mois.

# 1 Instructions importantes en matière de sécurité et d'environnement

- Le produit doit être nettoyé conformément au manuel d'utilisation. Si le nettoyage n'a pas été effectué conformément au manuel d'utilisation, il peut y avoir un risque d'incendie.
  - N'utilisez pas de matériaux filtres ignifuges à la place des filtres actuels.
  - Utilisez uniquement des pièces d'origine ou pièces recommandées par le fabricant.
  - N'utilisez jamais l'appareil sans le filtre et ne retirez pas les filtres lorsque l'appareil est en marche.
  - En cas d'apparition d'une flamme, éteignez votre produit et vos appareils de cuisson.
  - En cas d'apparition d'une flamme, couvrez la flamme et n'utilisez jamais d'eau pour l'éteindre.
  - Débranchez l'appareil avant chaque nettoyage et lorsque l'appareil n'est pas en cours d'utilisation.
  - La pression négative dans l'environnement ne doit pas dépasser 4 Pa (4 x 10 bars) lorsque la hotte de la table de cuisson électrique et les appareils fonctionnant avec un autre type d'énergie que l'électricité fonctionnent simultanément.
  - Dans l'environnement dans lequel l'appareil est utilisé, les gaz résiduels des appareils fonctionnant au fioul ou au gaz, tels que le chauffage de la pièce, doivent être totalement isolés ou l'appareil doit être de type étanche.
  - Pour le raccordement du conduit, utilisez des tuyaux d'un diamètre de 120 ou 150 mm. Le raccordement du tuyau doit être aussi court que possible et avoir le minimum de coudes que possible.
- Risque d'étranglement !**  
Conservez tous les emballages hors de portée des enfants.
- ATTENTION :** Les pièces accessibles peuvent devenir chaudes lorsqu'elles sont utilisées avec des appareils de cuisson.
- Ne connectez pas la prise du produit aux canaux d'air qui contiennent d'autres fumées.
  - La ventilation de la pièce peut être insuffisante lorsque la hotte de la table de cuisson électrique est utilisée en même temps que les appareils fonctionnant au gaz ou avec d'autres combustibles (ceci peut ne pas s'appliquer aux appareils qui rejettent uniquement l'air dans la pièce).

# 1 Instructions importantes en matière de sécurité et d'environnement

- Les objets placés sur le produit peuvent tomber. Ne posez aucun objet sur le produit.
- Ne brûlez rien sous votre produit.

**AVERTISSEMENT :** Retirez les films protecteurs avant d'installer la hotte.

- Ne laissez jamais des grandes flammes nues sous la hotte lorsqu'elle est en fonctionnement.
- Gardez les friteuses en permanence sous surveillance pendant l'utilisation : de l'huile surchauffée peut prendre feu.

## 1.2 Conformité avec la Directive DEEE et Mise au rebut des appareils usagés :

Cet appareil est conforme à la directive DEEE. (2012/19/UE). Cet appareil porte le symbole de classification pour les déchets des équipements électriques et électroniques (DEEE).



Ce symbole indique que ce produit ne doit pas être jeté avec les déchets ménagers à la fin de sa vie utile. Les appareils usagés doivent être retournés au point de collecte officiel pour le recyclage des appareils électriques et électroniques. Pour trou-

ver ces systèmes de collecte, veuillez contacter les autorités locales ou le détaillant auprès duquel vous avez acheté le produit. Chaque ménage joue un rôle important dans la récupération et le recyclage des appareils ménagers usagés.

L'élimination appropriée des appareils usagés aide à prévenir les conséquences négatives potentielles pour l'environnement et la santé humaine.

## 1.3 Conformité avec la directive RoHS

L'appareil que vous avez acheté est conforme à la Directive RoHS de l'UE (2011/65/UE). Il ne contient pas de matières dangereuses et interdites spécifiées dans la directive.

## 1.4 Informations concernant l'emballage



Les matériaux d'emballage du produit sont fabriqués à partir de matériaux recyclables conformément à notre réglementation nationale sur la protection de l'environnement. Ne jetez pas les matériaux d'emballage avec les déchets domestiques et autres déchets. Déposez-les dans l'un des points de collecte de matériaux

# 1 Instructions importantes en matière de sécurité et d'environnement

d'emballage prévus par l'autorité locale.

## 1.5 Risque vital Risque d'empoisonnement



Fig. 1 : Risque d'empoisonnement



Fig. 2 : Risque d'empoisonnement



### **DANGER!** **Avertissement - Risque d'étouffement**

Les matériaux d'emballage sont dangereux pour les enfants. Ne laissez pas les enfants manipuler les matériaux d'emballage.



### **DANGER!** **Avertissements - Risque de mort !**

Risques vitaux et risques d'empoisonnement dus aux gaz de combustion réabsorbés. Pour une utilisation avec une sortie d'air, n'utilisez pas l'appareil en même temps que des objets qui expulsent des gaz toxiques, tels que des cuisinières à circulation d'air, qui fonctionnent au gaz, à l'huile, au bois ou au charbon de bois, des poêles de bain, des chauffe-eau, etc. à moins que l'air fourni soit suffisant. Pic. 3

Les objets à circulation d'air (p. ex. cuisinières fonctionnant au gaz, au fioul, au bois ou au charbon de bois, poêles de salle de bain, chauffe-eau) récupèrent l'air du lieu d'installation et évacuent les gaz résiduels à l'aide d'un système d'évacuation (p. ex. conduit). L'air de la cuisine et des pièces voisines est absorbé par l'appareil pendant son fonctionnement. L'aspiration se produit si la quantité d'air fournie n'est pas suffisante. Dans ce cas, les gaz toxiques contenus dans le conduit de cheminée et dans le conduit d'évacuation des gaz résiduels sont réabsorbés et réintroduits dans la maison. Pic. 1

C'est pourquoi il faut veiller à ce qu'une quantité suffisante d'air pur soit fournie en permanence. Pic. 2

# 1 Instructions importantes en matière de sécurité et d'environnement

## AVERTISSEMENT ! Danger d'incendie !

Les boues huileuses sur le filtre à huile peuvent prendre feu. Nettoyez le filtre à huile au moins une fois tous les un mois. Ne faites jamais fonctionner l'appareil sans le filtre à huile. Nettoyer le filtre à charbon au moins une fois tous les trois mois.

Les boues huileuses sur le filtre à huile peuvent prendre feu. Assurez-vous qu'il n'y a jamais de flamme à proximité de l'appareil lorsque vous cuisinez (ex. flambé). Il n'est permis d'installer l'appareil à proximité d'un appareil de chauffage chauffé par un combustible solide (par ex. bois ou charbon) que s'il est équipé d'un couvercle fermé et non amovible. Il ne doit y avoir aucune source d'étincelles à proximité de l'appareil.

Les huiles végétales chaudes et les graisses s'enflamment facilement. Faites toujours très attention aux huiles et graisses végétales chaudes. N'essayez pas d'éteindre le feu avec de l'eau.

Éteignez la table de cuisson. Couvrez soigneusement la flamme avec un couvercle, une couverture anti-feu ou un objet similaire.



Les tables de cuisson à gaz en fonctionnement sans ustensiles de cuisson génèrent une chaleur élevée. Un appareil de ventilation placé sur la table de cuisson peut donc être endommagé ou brûlé. Ne faites fonctionner les tables de cuisson à gaz que lorsqu'un ustensile de cuisson est placé sur le feu. L'utilisation simultanée de plus d'une plaque de cuisson au gaz provoque une chaleur élevée. Un appareil de ventilation placé sur la table de cuisson peut donc être endommagé ou brûlé. Ne faites pas fonctionner simultanément deux tables de cuisson à gaz à un niveau de flamme élevé pendant plus de 15 minutes. Un brûleur d'une puissance supérieure à 5 kW (Wok) est égal au brûleur à deux niveaux de gaz.

# 1 Instructions importantes en matière de sécurité et d'environnement

## AVERTISSEMENT !

### Risque d'électrocution !

Un appareil défectueux peut provoquer une électrocution. Ne faites jamais fonctionner un appareil défectueux. Débranchez-le ou éteignez le fusible dans la boîte à fusibles. Appelez le centre de service à la clientèle.

Les réparations qui ne sont pas conformes aux instructions constituent un danger. Les réparations et le remplacement des câbles électriques défectueux ne doivent être effectués que par un technicien du service après-vente formé par notre société. Si l'appareil est endommagé, débranchez-le ou éteignez le fusible dans la boîte à fusibles. Appelez le centre de service à la clientèle.

Si de l'eau s'écoule dans l'appareil, cela peut provoquer une électrocution. Les nettoyeurs à haute pression ou à vapeur ne doivent pas être utilisés avec cet appareil.



## DANGER ! Risque de blessure!

Les bords tranchants de l'appareil peuvent causer des blessures pendant l'installation. Utilisez toujours des gants de protection lors de l'installation de l'appareil.

Tous les boulons de sécurité et les couvercles de sécurité doivent être installés comme indiqué dans le manuel d'utilisation en raison du risque de chute de l'appareil.

Les objets posés sur l'appareil peuvent tomber. Ne posez aucun objet sur l'appareil.

Le voyant LED est très lumineux et peut endommager vos yeux (groupe de danger 1). Ne regardez pas directement la lumière LED pendant plus de 100 secondes.



## MISE EN GARDE

Les pièces accessibles peuvent devenir chaudes si elles sont utilisées avec l'équipement de cuisson.





# 1 Instructions importantes en matière de sécurité et d'environnement

## **DANGER ! Risque de brûlure et d'électrocution !**

Attendez que l'appareil refroidisse avant de procéder au nettoyage ou à l'entretien. Éteignez le fusible ou débranchez l'appareil.

Risque de dommages dû à la pénétration d'humidité dans les éléments électroniques. Ne nettoyez jamais les éléments de contrôle avec un chiffon humide.

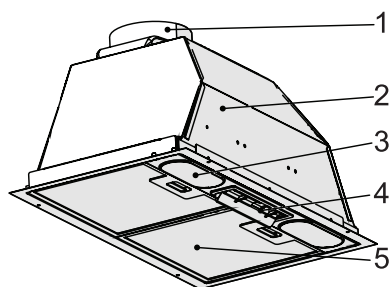
La surface peut être endommagée en raison d'un nettoyage incorrect. Nettoyez les surfaces en acier inoxydable uniquement dans le sens du brossage. N'utilisez pas de nettoyeurs en acier inoxydable sur les éléments de contrôle.

La surface peut être endommagée par des produits de nettoyage abrasifs ou corrosifs. N'utilisez jamais de produits de nettoyage abrasifs ou corrosifs.



## 2 Aspect général

### 2.1 Aperçu



1. Conduit d'évacuation d'air
2. Corps
3. Éclairage de la table de cuisson
4. Panneau de commande
5. Filtre à huile en aluminium

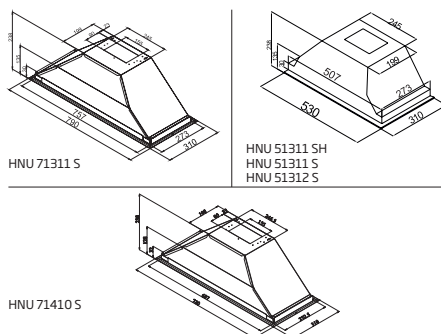
### 2.2 Caractéristiques techniques

**CE** Cet appareil est conforme aux directives européennes CE 2014/30/UE (Directive relative à la compatibilité électromagnétique) et 2014/35/UE (Directive Basse Tension).

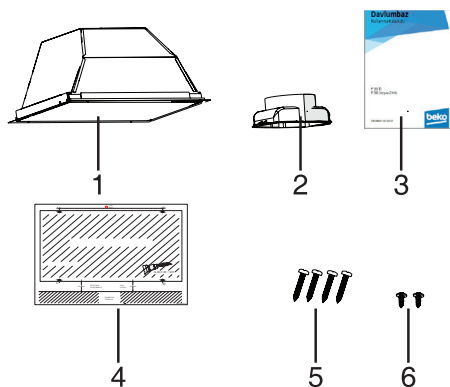
Tension d'alimentation	220-240 V 50 Hz
Puissance de la lampe (W)	2x3 W
Puissance du moteur (W)	1x185 W
Classe d'isolation du moteur	F
Classe d'isolation	CLASSE I

Droits de modifications techniques ou de conception réservés. Les dimensions présentées dans les dessins techniques sont en mm. Cette image n'est fournie qu'à titre d'information sur les pièces de l'appareil. Les pièces peuvent varier selon le modèle de l'appareil. Les photos sont fournies de façon représentative.

### 2.3 Dessin technique à l'échelle



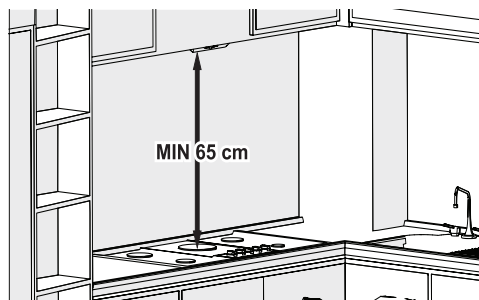
### 2.4 Contenu de l'emballage



1. Hotte
2. Conduit de cheminée en plastique de 120 mm de diamètre
3. Manuel d'utilisation
4. Modèle d'installation
5. Vis 4 X 3,9 X 32 (utilisées pour l'installation de la hotte)
6. Vis 3,5 x 9,5 (utilisées pour l'installation du conduit de cheminée en plastique)

## 3 Installation et utilisation de l'appareil

### 3.1 Position de l'appareil



- Faites attention à la distance entre la table de cuisson et la hotte avant l'installation. Cette distance doit être de 65 cm.
- La mesure doit être prise à partir de la surface du gril sur les plaques de cuisson à gaz et à partir de la surface en verre sur les plaques de cuisson électriques.



Votre nouvel appareil est particulièrement économe en énergie. Vous trouverez ici quelques conseils pour économiser plus d'énergie lors de l'utilisation de l'appareil et pour mettre l'appareil au rebut de manière appropriée.

### 3.2 Astuces pour économiser de l'énergie

- Veillez à ce que l'entrée d'air soit suffisante pour que la hotte fonctionne efficacement et avec un faible bruit de fonctionnement pendant la cuisson.
- Réglez le niveau d'aspiration en fonction de la densité de vapeur dans la cuisine. N'utilisez le niveau élevé qu'en cas de besoin. Un niveau d'aspiration plus bas signifie une consommation d'énergie moindre.
- Si vous savez qu'une fumée dense va se propager dans la cuisine, choisissez à l'avance un ni-

veau plus élevé d'aspiration. Il est nécessaire de faire fonctionner la hotte beaucoup plus longtemps pour éliminer la fumée déjà répandue dans toute la cuisine.

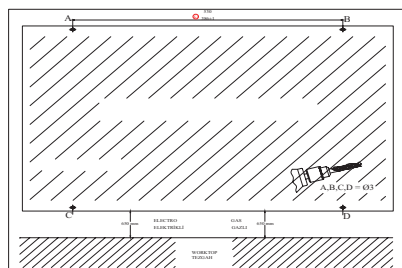
- Éteignez la hotte lorsque vous ne l'utilisez pas.
- Nettoyez ou remplacez le filtre à intervalles réguliers afin d'augmenter l'efficacité de la ventilation et d'éliminer le risque d'incendie.

### 3.3 Installation de l'appareil



#### MISE EN GARDE

Utilisez des gants et des lunettes de protection lors des opérations de perçage et de coupe.



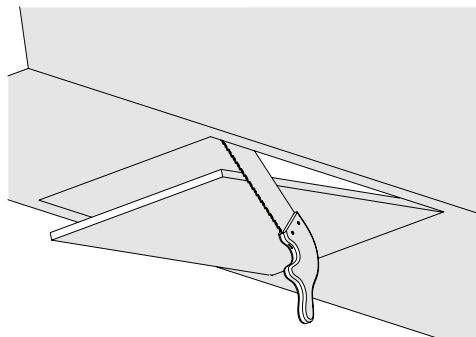
Pic. 6

### 3.4 Perçage des trous de montage

- Conformez-vous au modèle d'installation fourni avec l'appareil sur la surface sur laquelle l'installation sera effectuée.
- Percez les trous A, B, C, D indiqués sur le modèle d'installation à l'aide d'un foret de 4 mm de diamètre. Pic. 6

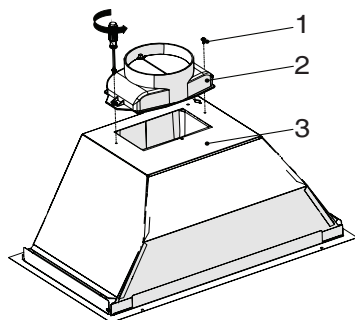
## 3 Installation et utilisation de l'appareil

Pic. 7

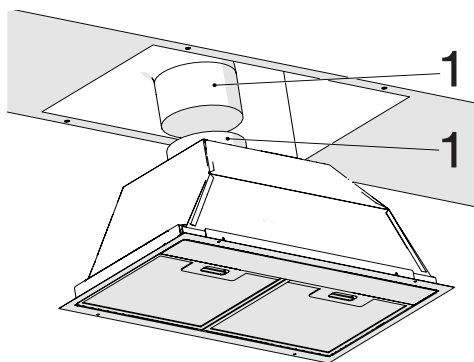


- Découpez la surface inférieure du meuble de cuisine dans lequel la hotte sera installée conformément aux dimensions spécifiées dans le dessin technique (Pic. 7).

Pic. 8



1. Vis 3,5 x 9,5
  2. Conduit de cheminée en plastique de 120 mm de diamètre
  3. Prise de goupille de BodyValve
- Fixez le conduit en plastique contenu dans l'emballage au corps de l'appareil à l'aide de 2 vis 3,5 x 9,5. (Pic. 8) Ne le frottez pas contre la surface. Pic. 8



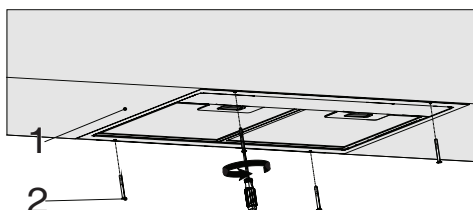
Pic. 9

1. Tuyau d'évacuation d'air
  2. Conduit d'évacuation d'air de la hotte
- Fixez le tuyau d'évacuation d'air au conduit d'évacuation d'air et serrez-le à l'aide d'un collier de serrage (fig. 9).

### MISE EN GARDE



Les pliures et les coudes dans le tuyau d'aluminium entraînent une diminution de la puissance d'aspiration de l'air, évitez donc leur présence autant que possible.



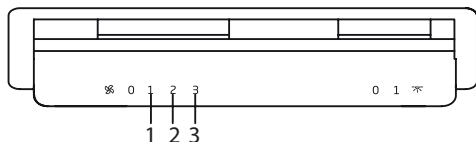
Pic. 10

1. Vue du bas du meuble de cuisine
  2. Vis d'installation de la hotte 4 X 3,9 X 32
- Placez la hotte dans le meuble de cuisine et fixez la hotte grâce aux 4 trous d'installation percés au préalable (fig. 10).

# 3 Installation et utilisation de l'appareil

## 3.5 Utilisation de l'appareil

### 3.5.1 Utilisation de l'interrupteur à bascule



- Placez l'interrupteur de la lampe en position « 0 » pour éteindre la lampe.
- Placez l'interrupteur de la lampe en position « 1 » pour allumer la lampe.
- Placez l'interrupteur du moteur en position « 0 » pour éteindre le moteur.
- Vous pouvez faire fonctionner le moteur au minimum au 1<sup>er</sup> niveau de vitesse et au maximum au 3<sup>e</sup> niveau de vitesse en fonction de la densité de la vapeur de cuisson.

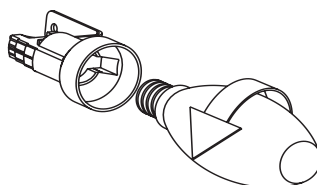
## 3.6 Remplacement de la lampe

### 3.6.1 Remplacement de l'ampoule

#### AVERTISSEMENT



Coupez l'alimentation électrique de la hotte. Les lampes peuvent provoquer des brûlures aux mains lorsqu'elles sont chaudes, attendez donc qu'elles refroidissent avant de les manipuler.



Pic. 11 : Remplacement d'une ampoule

- Retirez le filtre à cartouche en aluminium. Retirez la lampe défectueuse et remplacez-la par une lampe de même puissance. Pic. 11

### 3 Installation et utilisation de l'appareil



**REMARQUE :**

Si l'appareil tombe en panne ou est endommagé, éteignez le fusible ou débranchez l'appareil et appelez le service après-vente agréé.



**REMARQUE :**

Si le cordon d'alimentation est endommagé, il doit être remplacé par le fabricant, son réparateur agréé ou une personne qualifiée afin d'éviter tout risque.



**REMARQUE :**

Éteignez le fusible ou débranchez l'appareil en cas de panne des lampes de l'appareil. Remplacez immédiatement les lampes défectueuses afin d'éviter que les autres lampes ne soient trop sollicitées (attendez d'abord que les lampes refroidissent).


## 4 Nettoyage et entretien



En cas de réparation non conforme ou non conforme aux règles, éteignez le fusible ou débranchez l'appareil. Les travaux de réparation ne doivent être effectués que par le service après-vente agréé ou un personnel compétent autorisé.

En cas de réparation non conforme ou non conforme aux règles, éteignez le fusible ou débranchez l'appareil. Les travaux de réparation ne doivent être effectués que par le service après-vente agréé ou un personnel qualifié autorisé.

### MISE EN GARDE



Risque de dommages dû à la corrosion. Toujours faire fonctionner l'appareil pendant la cuisson afin d'éviter la formation de condensat. Le condensat peut causer des dommages liés à la corrosion. Remplacez immédiatement les lampes défectueuses afin d'éviter que les autres lampes ne soient trop sollicitées. Il existe un risque de dommages dû à la pénétration d'humidité dans les éléments électroniques. Ne nettoyez jamais les éléments de contrôle avec un chiffon humide. La surface peut être endommagée en raison d'un nettoyage incorrect. Nettoyez les surfaces en acier inoxydable uniquement dans le sens du brossage. N'utilisez pas de nettoyants en acier inoxydable sur les éléments de contrôle. La surface peut être endommagée par des produits de nettoyage abrasifs ou corrosifs. N'utilisez jamais de produits de nettoyage abrasifs ou corrosifs. Il existe un risque de dommages dus au refoulement du condensat. Installez le conduit de sortie d'air avec une pente de 1°, légèrement vers le bas de l'appareil.



### MISE EN GARDE

Vous pouvez utiliser cet appareil en mode air vicié et en mode circulation d'air.

## 4 Nettoyage et entretien

### Mode air vicié

L'air absorbé est nettoyé par des filtres à huile et expulsé au moyen d'un système de conduits. (Pic. 3) Si vous souhaitez transférer l'air vicié dans un conduit de fumée ou de gaz résiduaire désactivé, vous devez obtenir l'autorisation d'un spécialiste agréé du nettoyage des conduits de cheminée. Si l'air vicié est expulsé par-dessus la paroi extérieure, un cadre mural télescopique doit être utilisé.



L'air absorbé est nettoyé par des filtres à huile et un filtre à charbon actif et retransféré dans la cuisine. Pic. 4



### REMARQUE !

L'air évacué ne doit pas être transféré dans un conduit de fumée ou de gaz résiduaire ni dans un conduit utilisé pour la ventilation des endroits où des sources de chauffage sont installées.



Pour étanchéifier les matériaux qui causent des odeurs dans le mode de circulation d'air, vous devez installer un filtre à charbon actif. Consultez votre revendeur agréé pour connaître les différentes possibilités de fonctionnement de l'appareil en mode circulation d'air. Vous pouvez acheter les accessoires nécessaires à cette procédure auprès des points de vente concernés, des agents de service agréés ou du centre de vente en ligne.



L'appareil que vous avez acheté peut être utilisé avec un filtre à charbon. Pour installer le filtre à charbon ;

1- Placez le filtre à charbon dans son emplacement. Pic. 15/1

2- Tournez le filtre à charbon dans le sens des aiguilles d'une montre pour vous assurer qu'il est bien placé. Pic. 15/2



Res.13



Res.14



Res.15



Si le filtre à charbon n'est pas correctement fixé, il peut tomber et endommager votre produit.



### MISE EN GARDE

Ne lavez jamais les filtres à charbon. Conservez les filtres à charbon hors de la portée des enfants.



### MISE EN GARDE

Assurez-vous que le nettoyage et l'entretien ne soient pas effectués par des enfants sans surveillance.

- La surface peut être endommagée par des produits de nettoyage abrasifs ou corrosifs. N'utilisez jamais de produits de nettoyage abrasifs ou corrosifs. Procurez-vous les produits de nettoyage et de protection adaptés à votre appareil auprès de votre service après-vente agréé. La surface de l'appareil et les contrôleurs sont sensibles aux rayures.
- Nettoyez les surfaces à l'aide d'un chiffon humide et doux, d'un liquide vaisselle ou d'un produit de nettoyage pour verre doux. Ramollir la saleté séchée et collée à l'aide d'un chiffon humide. Ne grattez pas !
- Les chiffons secs, les éponges qui peuvent ca-



## 4 Nettoyage et entretien

user des rayures, les matériaux qui nécessitent un frottement, le sable et autres agents nettoyants efficaces contenant de l'eau minérale, de l'acide ou du chlorure ne doivent pas être utilisés avec cet appareil.

- Nettoyez les surfaces en acier inoxydable uniquement dans le sens de l'affutage.
- N'utilisez pas d'agents nettoyants pour acier inoxydable et des chiffons humides pour les éléments de commande. Nettoyage des filtres à huile métalliques Les filtres à huile métalliques usagés retiennent l'humidité générée dans la cuisine et les particules huileuses contenues dans la vapeur. Dans le cadre d'une utilisation normale (1 à 2 heures par jour), nettoyez les filtres à huile métalliques environ une fois tous les 3 mois.
- N'utilisez pas de produits de nettoyage trop efficaces, acidifiés ou corrosifs.
- Pour le nettoyage des filtres à huile métalliques, utilisez un chiffon humide pour nettoyer les pièces des filtres à huile métalliques à l'intérieur de l'appareil.
- Vous pouvez nettoyer les filtres à huile métalliques dans le lave-vaisselle ou à la main.
- N'appliquez pas de produits nettoyants en aérosol directement sur l'appareil.
- Ne posez pas d'objets de décoration inflammables et/ou lourds sur l'appareil.

### 4.1 Lavage au lave-vaisselle

- En cas de lavage au lave-vaisselle, une légère décoloration peut apparaître. Cela n'affecte pas le fonctionnement du filtre à huile métallique.
- Évitez de laver les filtres à huile métalliques très sales avec les plats.
- Placez les filtres à huile métalliques dans le lave-vaisselle sans les serrer. Placez les filtres à huile métalliques dans le lave-vaisselle sans les comprimer.

### 4.2 Lavage à la main

- Pour les saletés tenaces, vous pouvez utiliser un produit spécial qui dissout l'huile. Vous pouvez vous procurer cet agent auprès du centre de vente agréé.

- Ramollissez le filtre à huile métallique dans de l'eau chaude contenant du liquide vaisselle.
- Utilisez une brosse pour le nettoyage et attendez que le liquide du filtre à huile métallique soit bien drainé. Rincez correctement les filtres après le nettoyage.
- Les caractéristiques techniques et ce manuel peuvent être modifiés sans préavis.
- Cet appareil est conforme au Règlement sur la surveillance des déchets d'équipements électriques et électroniques.
- Cette hotte est conçue pour être utilisée au-dessus d'une table de cuisson. Assurez-vous que le mur peut supporter le poids de la hotte. Les frais d'abattement, de découpe et autres opérations similaires à effectuer sur le mur ou le meuble pendant l'installation doivent être pris en charge par le client. La hotte peut être utilisée avec un système de conduit de cheminée qui évacue l'air ou sans conduit (en ajoutant un filtre à charbon). Faites attention aux problèmes qui peuvent survenir avant ou pendant l'installation. L'installation doit être effectuée par un technicien agréé. L'installation doit être effectuée par un spécialiste agréé ayant des connaissances en ventilation. La durée de vie de l'appareil déterminée par le Ministère de l'Industrie (période de disponibilité des pièces de rechange nécessaires à l'exécution des fonctions de l'appareil) est de 10 (dix) ans.
- Votre appareil doit être conservé dans son emballage d'origine afin d'éviter d'endommager ses composants pendant la manutention et le transport.
- Maintenez l'appareil dans sa position normale pendant la manipulation.
- Ne faites pas tomber l'appareil et ne le protégez pas contre les dommages pendant le transport. La garantie ne couvre pas les défauts et dommages survenus pendant le transport après la livraison de l'appareil au client.

## 5 Dépannage

Dépannage	Problème	Solution
L'appareil ne fonctionne pas.	Vérifiez le fusible.	Il se peut que votre fusible soit coupé ; remettez-le en marche.
L'appareil ne fonctionne pas.	Vérifiez le branchement.	La tension du secteur doit être comprise entre 220 et 240 V.
L'appareil ne fonctionne pas.	Vérifiez le branchement.	Vérifiez si les autres appareils de votre cuisine fonctionnent ou pas.
L'ampoule ne fonctionne pas.	Vérifiez le branchement.	La tension du secteur doit être comprise entre 220 et 240 V.
L'ampoule ne fonctionne pas.	Vérifiez l'interrupteur de l'ampoule.	L'interrupteur de l'ampoule doit être en position « Allumé ».
L'ampoule ne fonctionne pas.	Vérifiez les ampoules.	Les ampoules de l'appareil ne doivent pas être défectueuses.
L'appareil n'aspire pas l'air correctement.	Vérifiez le filtre en aluminium.	L'aluminium du filtre doit être nettoyé au moins une fois par mois en conditions d'utilisation normales.
L'appareil n'aspire pas l'air correctement.	Vérifiez l'évent d'aération.	L'évent d'aération doit être en position « Marche ».
L'appareil n'aspire pas l'air correctement.	Vérifiez le filtre à charbon.	Pour les appareils dotés d'un filtre à charbon, celui-ci doit normalement être remplacé tous les 3 mois.

# Proszę najpierw przeczytać tę instrukcję obsługi!

Szanowny Kliencie,

dziękujemy za wybranie urządzenia marki Beko. Mamy nadzieję, że zakupione urządzenie, wyprodukowane z zapewnieniem wysokiej jakości przy użyciu najnowszych technologii, okaże się w pełni zadowalające. Z tego powodu przed użyciem urządzenia należy uważnie przeczytać całą instrukcję obsługi oraz towarzyszące jej dokumenty i zachować je do wglądu na przyszłość. Przekazując urządzenie innemu użytkownikowi, należy dołączyć również niniejszą instrukcję. Należy postępować zgodnie z instrukcjami, zwracając uwagę na wszystkie informacje i ostrzeżenia zamieszczone w niniejszym dokumencie.

Należy pamiętać, że niniejsza instrukcja może odnosić się także do innych modeli. Różnice pomiędzy modelami są wyraźnie opisane w instrukcji.

## Znaczenie symboli

W różnych częściach niniejszej instrukcji obsługi stosowane są następujące symbole:



Ważne informacje i przydatne wskazówki dotyczące użytkowania.



**OSTRZEŻENIE:** Ostrzeżenia przed niebezpiecznymi sytuacjami zagrażającymi życiu i mieniu.



Niebezpieczeństwo pożaru.



Ostrzeżenie przed porażeniem prądem.



Urządzenie zostało wyprodukowane w przyjaznym środowisku, nowoczesnych zakładach bez negatywnego wpływu na природę.

Wyrób zgodny z Dyrektywą WEEE.



Nie zawiera polichlorowanych bifenyli (PCB).

# 1 Ważne instrukcje dotyczące bezpieczeństwa i ochrony środowiska

## 1.1 Ogólne zasady dotyczące bezpieczeństwa

Ważne zasady dotyczące bezpieczeństwa. Przeczytaj je uważnie i zachowaj na przyszłość. Rozdział ten zawiera instrukcje zachowania bezpieczeństwa, które pomogą chronić się przed ryzykiem pożaru, porażenia prądem elektrycznym, wycieku mikrofal, obrażeniami ciała lub uszkodzami w mieniu. Nieprzestrzeganie tych instrukcji spowoduje unieważnienie gwarancji.

- Produkty firmy Beko spełniają wszystkie wymogi stosownych norm bezpieczeństwa. W przypadku jakiegokolwiek uszkodzenia urządzenia lub przewodu zasilającego, aby uniknąć wszelkich zagrożeń, należy oddać je do naprawy lub wymiany przez sprzedawcę, punkt serwisowy lub specjalistę albo autoryzowany serwis. Błędna lub niefachowa naprawa może być niebezpieczna i powodować zagrożenie dla użytkowników.
- To urządzenie jest przeznaczone do użytku domowego i podobnych zastosowań, na przykład:
  - na zapleczu kuchennym przez personel sklepów, biur i innych miejsc pracy;

- w gospodarstwach rolnych;
- do użytku przez klientów hoteli i innych obiektów noclegowych;
- w pensjonatach.
- Urządzenie należy stosować tylko zgodnie z jego przeznaczeniem, w sposób opisany w niniejszej instrukcji.
- Producent nie ponosi odpowiedzialności za szkody powstałe w wyniku nieprawidłowej instalacji lub niewłaściwego stosowania produktu.
- Urządzenie może być obsługiwane przez dzieci w wieku 8 lat i starsze, osoby o ograniczonych możliwościach fizycznych, postrzegania lub umysłowych, a także osoby bez doświadczenia lub wiedzy w zakresie obsługi urządzenia, o ile będą one pod nadzorem lub zostaną szczegółowo poinstruowane o bezpiecznym korzystaniu z urządzenia i zrozumieją potencjalne zagrożenia.
- Nie należy pozwalać dzieciom bawić się urządzeniem. Dzieci nie mogą czyścić ani konserwować urządzenia bez nadzoru.
- Minimalna odległość pomiędzy powierzchniami podpór garnków znajdującymi się na szczytce ku-

# 1 Ważne instrukcje dotyczące bezpieczeństwa i ochrony środowiska

chenki a najniższą częścią produktu musi wynosić co najmniej 65 cm.

- Jeżeli w instrukcji instalacji gazowej płyty kuchennej podano odległość większą, wówczas należy zastosować wskazaną wartość.
- Zasilanie z domowej sieci elektrycznej musi być zgodne z informacjami podanymi na tabliczce znamionowej urządzenia.
- Urządzenia nie wolno nigdy używać, jeśli przewód zasilający lub samo urządzenie są uszkodzone.
- Aby zapobiec uszkodzeniu przewodu zasilającego, nie wolno dopuścić do jego ściskania, zginania lub ocierania o ostre krawędzie. Trzymaj przewód zasilający z dala od gorących powierzchni i otwartego ognia.
- Urządzenia można używać tylko wtedy, gdy jest podłączone do gniazda ściennego z uziemieniem.
- **OSTRZEŻENIE:** Podłącz urządzenie do zasilania dopiero po całkowitym zakończeniu montażu.
- Urządzenie ustaw tak, aby zawsze był możliwy dostęp do wtyczki.
- Nie należy dotykać lamp, jeśli były włączone przez długi czas. Grozi to poparzeniem dłoni gorącą za-

rówką.

- Należy stosować się do wymagań dotyczących odprowadzania powietrza wywiewanego (to ostrzeżenie nie dotyczy sytuacji korzystania z okapu bez przewodu spalinowego).
- Okap należy uruchamiać po ustawieniu garnka, patelni itp. na płycie grzewczej. W przeciwnym wypadku wysoka temperatura może doprowadzić do zniekształcenia niektórych części produktu.
- Okap należy wyłączać przed zdjęciem garnka, patelni itp. z płyty grzewczej.
- Nie pozostawiać rozgrzanego oleju na płycie grzewczej. Garnki z gorącym olejem mogą się zapalić samoczynnie.
- Należy uważać na zasłony i inne elementy osłaniające okna, ponieważ olej może zapalić się samoczynnie podczas smażenia np. frytek.
- Filtr tłuszczu należy wymieniać co najmniej raz w miesiącu. Filtr węglowy należy wymieniać co najmniej raz na 3 miesiące.
- Produkt należy czyścić zgodnie z instrukcją obsługi. Czyszczenie w sposób niezgodny z instrukcją ob-

# 1 Ważne instrukcje dotyczące bezpieczeństwa i ochrony środowiska

ślugi może prowadzić do ryzyka pożaru.

- Zabrania się stosowania materiałów filtracyjnych nieodpornych na ogień zamiast właściwych filtrów.
- Należy stosować wyłącznie oryginalne lub zalecane przez producenta części zamienne.
- Nie uruchamiać produktu bez zamontowanego filtra ani nie wyjmować filtrów z pracującego okapu.
- W razie pojawienia się płomieni odłączyć produkt oraz urządzenia kuchenne od zasilania.
- W razie pojawienia się płomieni przykryć płomień i w żadnym wypadku nie gasić go wodą.
- Przed każdym czyszczeniem urządzenia i gdy nie jest ono używane należy wyjąć wtyczkę z gniazdka ściennego.
- Podciśnienie w otoczeniu nie może przekraczać 4 Pa ( $4 \times 10$  barów) przy równoczesnym działaniu okapu nad elektryczną płytą grzewczą i urządzeń AGD zasilanych elektrycznie prądem o innych parametrach.
- Jeśli w pomieszczeniu, w którym działa okap, są wykorzystywane urządzenia zasilane olejem opałowym

lub gazem, jak np. ogrzewacze pomieszczeń, to wylot spalin z takich urządzeń musi być całkowicie odizolowany lub takie urządzenia muszą być hermetyczne.

- Jako przewody spalinowe należy stosować rury o średnicy 120 lub 150 mm. Rura łącząca musi być możliwie jak najkrótsza i mieć jak najmniej kolanek.

**Niebezpieczeństwo zadławienia!** Wszystkie materiały opakowaniowe należy trzymać z dala od dzieci.

**OSTRZEŻENIE:** Jeśli jest to okap nad kuchnią, jego wystające części mogą się nagrzewać.

- Wylotu produktu nie wolno przyłączać do kanałów powietrznych, które odprowadzają inny dym.
- Wentylacja w pomieszczeniu może być niewystarczająca w przypadku równoczesnego korzystania z okapu nad elektryczną płytą grzewczą oraz urządzeń zasilanych gazem lub innymi paliwami (niniejsze ostrzeżenie może nie dotyczyć urządzeń, które odprowadzają powietrze z powrotem do pomieszczenia).
- Przedmioty znajdujące się na produkcji mogą spaść. Nie stawiać

# 1 Ważne instrukcje dotyczące bezpieczeństwa i ochrony środowiska

żadnych przedmiotów na produkcie.

- Nie flambiować bezpośrednio nad urządzeniem.

**OSTRZEŻENIE:** Przed zamontowaniem okapu usunąć folię ochronną.

- Nie wolno pozostawiać otwartego ognia pod działającym okapem
- Frytkownice trzeba stale obserwować w trakcie użytkowania; przegrzany olej może zająć się płomieniem.

## 1.2 Zgodność z dyrektywą WEEE i pozbywanie się zużytych wyrobów:

Wyrób ten jest zgodny z dyrektywą Unii Europejskiej w sprawie zużytego sprzętu elektrycznego i elektronicznego (WEEE) (2012/19/UE). Wyrób opatrzony jest symbolem klasyfikacyjnym dla zużytego sprzętu elektrycznego i elektronicznego (WEEE).



Symbol ten oznacza, że produktu nie należy utylizować z innymi domowymi śmieciami po zakończeniu okresu użytkowania. Zużyte urządzenie należy oddać do oficjalnego

punktu odbioru zajmującego się recyklingiem urządzeń elektrycznych i elektronicznych. Aby odnaleźć tego typu miejsce, należy skontaktować się z lokalnymi władzami lub sprzedawcą, u którego zakupiono produkt. Każde gospodarstwo domowe odgrywa ważną rolę w odzyskiwaniu i recyklingu starych urządzeń.

Odpowiednia utylizacja zużytego urządzenia pomaga zapobiegać potencjalnie negatywnym konsekwencjom dla środowiska i zdrowia ludzi.

## 1.3 Zgodność z dyrektywą RoHS

Zakupiony wyrób jest zgodny z dyrektywą RoHS Unii Europejskiej (2011/65/UE). Nie zawiera szkodliwych ani zakazanych materiałów wyszczególnionych w tej Dyrektywie.

## 1.4 Informacje o opakowaniu



Materiały, w które opakowanie jest wykonane, zostały wyprodukowane z surowców uzyskanych w procesie recyklingu zgodnie z krajowymi przepisami z zakresu ochrony środowiska. Nie należy utylizować materiałów opakowaniowych wraz z

# 1 Ważne instrukcje dotyczące bezpieczeństwa i ochrony środowiska

innymi odpadami domowymi. Należy oddać je w jednym z punktów zbiórki materiałów opakowaniowych wyznaczonych przez władze lokalne.

## 1.5 Najważniejsze zagrożenia Ryzyko zatrucia



Rys. 1: Ryzyko zatrucia



Rys. 2: Ryzyko zatrucia



### **NIEBEZPIECZEŃSTWO!** **Ostrzeżenie - ryzyko** **uduszenia**

Materiały opakowaniowe stanowią zagrożenie dla dzieci. Nie wolno pozwalać dzieciom bawić się materiałami opakowaniowymi.

### **NIEBEZPIECZEŃSTWO!** **Ostrzeżenie - niebezpieczeństwo śmierci**

Groźne dla życia ryzyko zatrucia występuje z powodu cofania się gazów spalinowych. Aby używać urządzenia z wylotem powietrza, nie należy korzystać równocześnie z urządzeń wytwarzających trujące gazy, jak kuchenki z obiegiem powietrza na gaz, olej, drewno lub węgiel, piecyki, podgrzewacze wody itp., o ile nie ma zapewnionej wystarczającej ilości powietrza. Rys. 3



Urządzenia z obiegiem powietrza (np. kuchenki na gaz, olej, drewno lub węgiel, piecyki, podgrzewacze wody) pobierają gorące powietrze z miejsca instalacji i odprowadzają spaliny poprzez system odprowadzania spalin (np. przewody kominowe). Powietrze jest pobierane przez urządzenie z kuchni i sąsiednich pomieszczeń. W przypadku niewystarczającej ilości powietrza pojawia się próżnia. W takiej sytuacji trujące gazy są pobierane z przewodu kominowego i przewodu spalinowego i cofają się do mieszkania. Rys. 1

Z tego powodu należy zawsze dbać o zapewnienie wystarczającej ilości świeżego powietrza. Rys. 2



## Ważne instrukcje dotyczące bezpieczeństwa i ochrony środowiska

### **OSTRZEŻENIE!** **Niebezpieczeństwo pożaru!**

Osad z oleju na filtrze grozi pożarem. Filtr oleju należy czyścić co najmniej raz w miesiącu. Nie używać urządzenia bez zamontowanego filtra oleju. Filtr węglowy należy czyścić co najmniej raz w kwartał

Osad z oleju obecny na filtrze grozi pożarem. W pobliżu urządzenia nie wolno gotować przy użyciu otwartego płomienia, np. stosować flambrowania. Opiswany produkt można montować w pobliżu urządzeń grzewczych na paliwo stałe, np. drewno lub węgiel, pod warunkiem że są one wyposażone w zamykaną osłonę zamontowaną na stałe. Powstawanie isker jest niedopuszczalne.

Gorące oleje roślinne i tłuszcze zwierzęce są łatwopalne. Dlatego należy zawsze zachować ostrożność w obecności gorących olejów roślinnych i tłuszczów zwierzęcych. Nie wolno gasić ognia wodą.

Wyłączyć płytę grzewczą. Przykryć płomień pokrywką, kocem gaśniczym lub podobnym przedmiotem.



Płyty grzewcze podczas pracy bez garnków wytwarzają dużo ciepła. Dlatego urządzenie wentylacyjne postawione na płycie grzewczej może ulec uszkodzeniu lub spłonąć. Gazowe płyty grzewcze należy włączać tylko, gdy stoją na nich garnki.

Uruchomienie wielu gazowych pól grzewczych równocześnie powoduje wytwarzanie dużej ilości ciepła. Dlatego urządzenie wentylacyjne postawione na płycie grzewczej może ulec uszkodzeniu lub spłonąć. Nie należy korzystać z dwóch gazowych płyt grzewczych ustawionych na dużą moc przez ponad 15 minut. Palnik o mocy powyżej 5 kW (Wok) dysponuje mocą równą palnikowi o dwóch poziomach mocy gazu.

# Ważne instrukcje dotyczące bezpieczeństwa i ochrony środowiska

## OSTRZEŻENIE!

### Ryzyko porażenia prądem!

Uszkodzone urządzenie grozi porażeniem prądem. Nie wolno korzystać z uszkodzonego urządzenia. Należy odłączyć przewód zasilający urządzenia lub wyłączyć bezpiecznik w skrzynce bezpiecznikowej. Zadzwoń do działu obsługi klienta.

Naprawy wykonywane w sposób niezgodny z instrukcjami stanowią niebezpieczeństwo. Naprawy i wymianę uszkodzonych przewodów elektrycznych można zlecać wyłącznie serwisantom przeszkolonym przez producenta. Po stwierdzeniu awarii należy odłączyć przewód zasilający urządzenia lub wyłączyć bezpiecznik w skrzynce bezpiecznikowej. Zadzwoń do działu obsługi klienta.

Przeciekanie wody do wnętrza urządzenia grozi porażeniem prądem. Stosowanie myjek ciśnieniowych lub parowych urządzeń czyszczących jest zabronione.



## PRZESTROGA

Jeśli okap znajduje się nad urządzeniami kuchennymi, jego wystające części mogą się nagrzewać.



W przypadku napraw wykonanych nieprawidłowo lub niezgodnie z przepisami należy wyłączyć bezpiecznik lub odłączyć przewód zasilający urządzenia. Naprawy mogą wykonywać wyłącznie autoryzowani serwisanci lub upoważniony personel o odpowiednich umiejętnościach.

W przypadku napraw wykonanych nieprawidłowo lub niezgodnie z przepisami należy wyłączyć bezpiecznik lub odłączyć przewód zasilający urządzenia. Naprawy mogą wykonywać wyłącznie autoryzowani serwisanci lub upoważniony, wykwalifikowany personel.



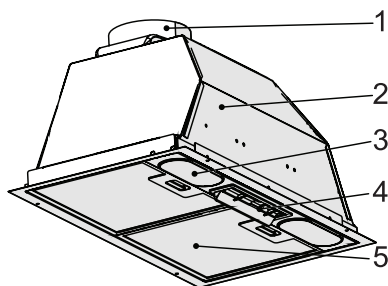
W przypadku napraw wykonanych nieprawidłowo lub niezgodnie z przepisami należy wyłączyć bezpiecznik lub odłączyć przewód zasilający urządzenia. Naprawy mogą wykonywać wyłącznie autoryzowani serwisanci lub upoważniony personel o odpowiednich umiejętnościach.

W przypadku napraw wykonanych nieprawidłowo lub niezgodnie z przepisami należy wyłączyć bezpiecznik lub odłączyć przewód zasilający urządzenia. Naprawy mogą wykonywać wyłącznie autoryzowani serwisanci lub upoważniony, wykwalifikowany personel.



## 2 Wygląd urządzenia

### 2.1 Opis ogólny



1. Przewód kominowy
2. Obudowa
3. Oświetlenie płyty grzewczej
4. Panel sterowania
5. Aluminiowy filtr oleju

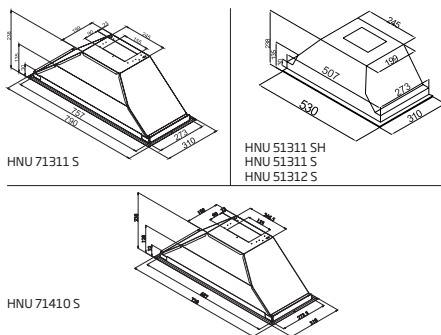
### 2.2 Dane techniczne

**CE** Niniejsze urządzenie jest zgodne z dyrektywą WE 2014/30/UE (dyrektywa kompatybilności elektromagnetycznej) i 2014/35/UE (dyrektywa niskonapięciowa [LVD]).

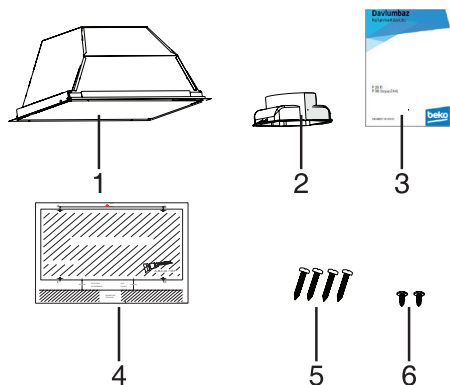
Napięcie zasilania	220-240 V 50 Hz
Moc lampki (W)	2 × 3 W
Moc silnika (W)	1 × 185 W
Klasa izolacji silnika	F
Klasa izolacji	KLASA I

Zastrzega się prawo do modyfikacji konstrukcji i parametrów technicznych. Wymiary na rysunkach technicznych podano w mm. Ilustracje wykonano wyłącznie w celu przedstawienia elementów urządzenia. Wygląd poszczególnych części może się różnić w zależności od modelu urządzenia. Zamieszczone rysunki mają charakter poglądowy.

### 2.3 Rysunek techniczny w skali



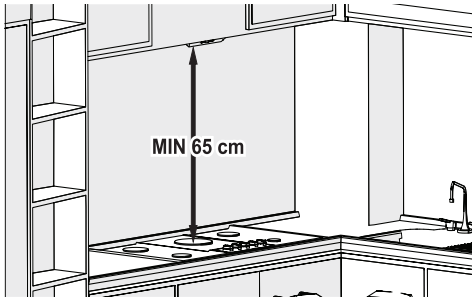
### 2.4 Zawartość opakowania



1. Okap
2. Plastikowy przewód kominowy  $\varnothing 120$  mm
3. Instrukcja obsługi
4. Rysunek instalacyjny
5. 4 wkręty 3,9 × 32 (do montażu okapu)
6. Wkręt 3,5 × 9,5 (do montażu plastikowego przewodu kominowego)

# 3 Montaż i korzystanie z urządzenia

## 3.1 Pozycja urządzenia



- Należy pamiętać o zachowaniu odpowiedniej odległości pomiędzy płytą grzejącą a okapem. Zalecana odległość to 65 cm.
- Odległość należy mierzyć od rusztu w przypadku płyt gazowych lub od powierzchni szkła w przypadku płyt elektrycznych.



Nowe urządzenie cechuje się wyjątkową wydajnością energetyczną. W tym miejscu podano porady dotyczące oszczędzania energii podczas korzystania z urządzenia, a także wskazówki dotyczące prawidłowego pozbywania się zużytego urządzenia.

## 3.2 Oszczędzanie energii

- Do prawidłowej pracy okapu, a także w celu uzyskania niskiego poziomu hałasu podczas gotowania, niezbędny jest odpowiedni dopływ powietrza.
- Poziom mocy wentylatora należy ustawić odpowiednio do ilości pary w kuchni. Najwyższego ustawienia należy używać wyłącznie w razie potrzeby. Niższy poziom mocy oznacza niższe zużycie energii.
- Jeśli przewiduje się gęsty dym w kuchni podczas gotowania, to należy wcześniej ustawić wyższy poziom mocy. Rozproszenie silnego zadymienia

już obecnego w pomieszczeniu wymaga dużo dłuższej pracy okapu.

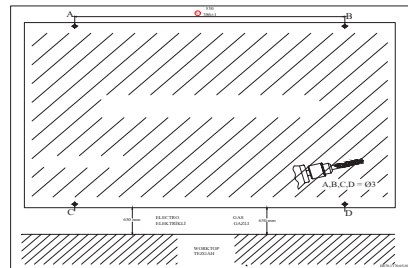
- Należy wyłączyć okap, jeśli nie jest już wykorzystywany.
- Filtr należy czyścić i wymieniać zgodnie z zalecanym harmonogramem, aby zwiększać skuteczność wentylacji i wyeliminować ryzyko pożaru.

## 3.3 Montaż urządzenia



### PRZESTROGA

Podczas wiercenia i cięcia należy stosować rękawice i okulary ochronne.



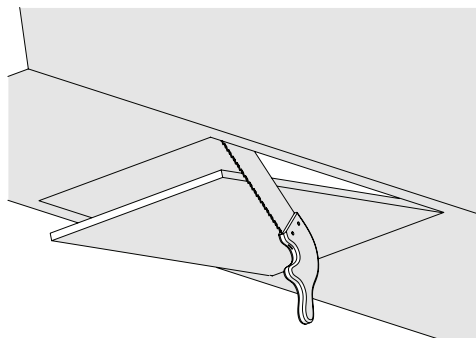
Rys. 6

## 3.4 Wiercenie otworów montażowych

- Nakleić szablon montażowy dołączony do urządzenia w miejscu montażu.
- Wywiercić otwory wskazane na szablonie montażowym jako A, B, C, D, stosując wiertło Ø4 mm. Rys. 6

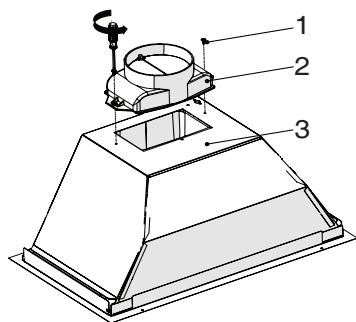
### 3 Montaż i korzystanie z urządzenia

Rys. 7

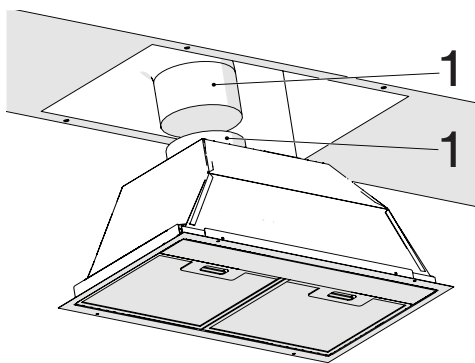


- Wyciąć otwór w dolnej części szafki, w miejscu przeznaczonym do montażu okapu, uwzględniając wymiary z rysunku technicznego (rys. 7).

Rys. 8



1. Wkręt 3,5 × 9,5
  2. Plastikowy przewód kominowy Ø120 mm
  3. KorpusGniazdo zaworu
- Zamontować plastikowy przewód kominowy dołączony do zestawu do korpusu urządzenia za pomocą 2 wkrętów 3,5 × 9,5. (Rys. 8) Nie pocierać powierzchni. Rys. 8



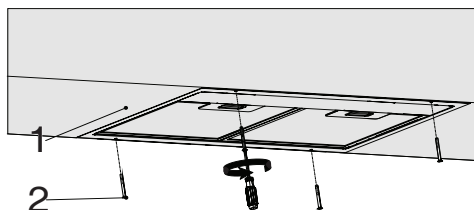
Rys. 9

1. Rura odprowadzająca powietrze
  2. Przewód kominowy okapu
- Włożyć rurę odprowadzającą powietrze w przewód kominowy i przymocować zaciskiem (rys. 9).

#### PRZESTROGA



Ponieważ łuki i kolanka w aluminiowym przewodzie spalinowym osłabiają ciąg powietrza, należy ich w miarę możliwości unikać.



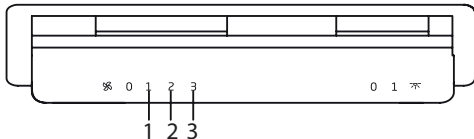
Rys. 10

1. Widok szafki kuchennej z dołu
  2. Wkręt montażowy 4 X 3,9 X 32 do okapu
- Włożyć okap w przygotowane miejsce pod szafką i zamocować go, korzystając z 4 wstępnie nawierzonych otworów (rys. 10).

## 3 Montaż i korzystanie z urządzenia

### 3.5 Korzystanie z urządzenia

#### 3.5.1 Korzystanie z przełącznika



- Przesławić przełącznik lampy w położenie „0”, aby wyłączyć lampę.
- Przesławić przełącznik lampy w położenie „1”, aby zapalić lampę.
- Przesławić przełącznik silnika w położenie „0”, aby wyłączyć silnik.
- Silnik umożliwia korzystanie z trzech poziomów mocy odpowiednio do ilości pary podczas gotowania: 1 oznacza minimalną moc, a 3 oznacza maksymalną moc.

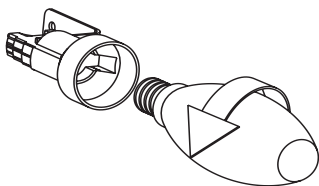
### 3.6 Wymiana żarówki

#### 3.6.1 Wymiana żarówki



##### **OSTRZEŻENIE**

Odłączyć zasilanie od okapu. Można poparzyć dłonie gorącymi żarówkami, należy więc poczekać, aż ostygną.



Rys. 11: Wymiana żarówki

- Wyjąć aluminiowy filtr nabożowy. Wyjąć zużytą żarówkę i wymienić na żarówkę o tych samych parametrach. Rys. 11

##### **UWAGA:**



W razie awarii lub uszkodzenia urządzenia należy odłączyć je z zasilania za pomocą bezpiecznika lub poprzez wyjęcie przewodu zasilającego, a następnie wezwać autoryzowanego serwisanta.

##### **UWAGA:**



W razie uszkodzenia kabla zasilającego należy go wymienić u producenta, korzystając z usług serwisanta lub osoby o analogicznych kwalifikacjach, aby uniknąć niebezpieczeństwa.

## 4 Czyszczenie i konserwacja



### UWAGA:

W razie awarii lampek zainstalowanych w urządzeniu należy odłączyć je z zasilania za pomocą bezpiecznika lub poprzez odłączenie przewodu. Niezwłocznie wymieniać przepalone żarówki, ponieważ dalsze korzystanie z oświetlenia grozi przeciążeniem pozostałych lamp (należy odczekać, aż żarówka ostygnie).



### PRZESTROGA

Jeśli okap znajduje się nad urządzeniami kuchennymi, jego wystające części mogą się nagrzewać.



### NIEBEZPIECZEŃSTWO!

#### Ryzyko odniesienia obrażeń!

Istnieje ryzyko odniesienia obrażeń podczas montażu ze względu na ostre krawędzie. Podczas montażu urządzenia należy zawsze stosować rękawice ochronne.

Wszystkie śruby i osłony zabezpieczające należy montować w sposób podany w instrukcji obsługi, ponieważ chronią przed upadkiem urządzenia.

Przedmioty umieszczane na urządzeniu mogą spaść. Nie należy umieszczać żadnych przedmiotów na urządzeniu.

Dioda LED świeci bardzo jasnym światłem i może powodować uszkodzenie oczu (grupa zagrożeń 1). Nie patrzeć bezpośrednio na świecącą diodę LED dłużej niż przez 100 s.

## 4 Czyszczenie i konserwacja

### **NIEBEZPIECZEŃSTWO!**

#### **Ryzyko oparzenia, ryzyko porażenia prądem elektrycznym!**

Przed czyszczeniem lub pracami konserwacyjnymi zaczekać, aż urządzenie całkiem ostygnie. Wyłączyć bezpiecznik lub wyjąć z gniazdka wtyczkę przewodu zasilającego urządzenia.

Ryzyko uszkodzenia występuje z powodu przedostania się wilgoci do układów elektronicznych. Nie wolno czyścić elementów sterujących mokrą ściereczką.

Nieprawidłowe czyszczenie może spowodować uszkodzenie powierzchni. Powierzchnie ze stali nierdzewnej należy czyścić wyłącznie w kierunku szczotkowania. Nie używać środka do stali nierdzewnej do czyszczenia elementów sterujących.

Czyszczenie żrącymi lub ściernymi środkami czyszczącymi grozi uszkodzeniem powierzchni. Nigdy nie używać ściernych ani żrących środków czyszczących.



### **PRZESTROGA**

Zagrożenie uszkodzeniem z powodu korozji. Należy zawsze uruchamiać urządzenie podczas gotowania, aby zapobiegać powstawaniu skroplin. Skropliny mogą być przyczyną korozji. Niezwłocznie wymieniać przepalone żarówki, ponieważ dalsze korzystanie z oświetlenia grozi przeciążeniem pozostałych lamp. Ryzyko uszkodzenia występuje z powodu dostania się wilgoci do układów elektronicznych. Nie wolno czyścić elementów sterujących mokrą ściereczką. Nieprawidłowe czyszczenie może spowodować uszkodzenie powierzchni. Powierzchnie ze stali nierdzewnej należy czyścić wyłącznie w kierunku szczotkowania. Nie używać środka do stali nierdzewnej do czyszczenia elementów sterujących. Czyszczenie żrącymi lub ściernymi środkami czyszczącymi grozi uszkodzeniem powierzchni. Nigdy nie używać ściernych ani żrących środków czyszczących. Ryzyko uszkodzenia z powodu cofania się kondensatu. Należy zainstalować przewód wylotowy powietrza ze spadkiem 1° pod urządzeniem.



### **PRZESTROGA**

Urządzenia można używać w trybie zanieczyszczonego powietrza i trybie cyrkulacji powietrza.





## 4 Czyszczenie i konserwacja



Tryb zanieczyszczonego powietrza  
Pobrane powietrze jest czystsze przez filtry oleju i odprowadzane przez system rur. (Rys. 3). Jeśli zanieczyszczone powietrze ma być odprowadzane do nieczynnego przewodu kominowego lub spalinowego, należy otrzymać zezwolenie od specjalisty w dziedzinie oczyszczania powietrza. Jeśli zanieczyszczone powietrze jest odprowadzane przez ścianę zewnętrzną, należy użyć stelaża podtynkowego.



Pobrane powietrze jest oczyszczone przez filtry oleju oraz filtr z węglem aktywnym i odprowadzane z powrotem do kuchni. Rys. 4



### UWAGA!

Zanieczyszczone powietrze nie powinno być kierowane do przewodu kominowego ani spalinowego, ani też do przewodu używanego do wentylacji pomieszczeń, w których zainstalowano źródła ogrzewania.



Aby zatrzymać materiały emitujące nieprzyjemne zapachy podczas trybu cyrkulacji powietrza, należy zamontować filtr z węglem aktywnym. Aby uzyskać więcej informacji na temat sposobów korzystania z urządzenia w trybie cyrkulacji powietrza, należy skonsultować się z autoryzowanym dealerem. Akcesoria potrzebne do przeprowadzenia tej procedury można kupić w odpowiednich punktach sprzedaży, od autoryzowanych agentów serwisowych lub w sklepie internetowym.

Zakupione urządzenie nadaje się do użytku z filtrem węglowym. Aby zamontować filtr węglowy:

1 - Umieścić filtr węglowy w obudowie. Rys. 15/1

2 - Obrócić filtr węglowy w kierunku zgodnym z ruchem wskazówek zegara, aby upewnić się, że jest odpowiednio zamontowany. Rys. 15/2



Res.13



Res.14



Res.15



Jeśli filtr węglowy nie jest prawidłowo zamocowany, może wypaść i uszkodzić urządzenie.



### PRZESTROGA

Nigdy nie myć filtrów węglowych. Chronić filtry węglowe przed dziećmi.



### PRZESTROGA

Dzieci nie mogą czyścić produktu ani przeprowadzać konserwacji bez nadzoru.

- Czyszczenie żrącymi lub ściernymi środkami czyszczącymi grozi uszkodzeniem powierzchni. Nigdy nie używać ściernych ani żrących środków czyszczących. Środki czyszczące i materiały zabezpieczające odpowiednio do użytku z urządzeniem można uzyskać w autoryzowanym serwisie. Powierzchnia urządzenia i elementy sterujące są podatne na zarysowania.
- Czyścić powierzchnie miękką ściereczką zwilżoną płynem do zmywania lub płynem do mycia szyb. Zasznięte i przyklejone zabrudzenia zmiękczyć wilgotną ściereczką. Nie zdrapywać!
- Suche ściereczki, drapiące gąbki, materiały wymagające pocierania, piasek i inne silnie działające środki czyszczące zawierające wodę mineralną, kwas lub chlor nie są odpowiednie.
- Powierzchnie ze stali nierdzewnej czyścić wyłącznie w kierunku szczotkowania.

## 4 Czyszczenie i konserwacja

- Nie używać środków czyszczących do stali nierdzewnej ani mokrych ściereczek do czyszczenia elementów sterujących. Czyszczenie metalowych filtrów oleju. Używane metalowe filtry oleju zatrzymują pojawiającą się w kuchni wilgoć oraz cząsteczki oleju zawarte w parze. W przypadku regularnego korzystania (od 1 do 2 godzin dziennie) czyścić metalowe filtry oleju co około 3 miesiące.
- Nie czyścić silnie działającymi środkami czyszczącymi, zawierającymi kwas ani powodującymi rdzewienie.
- Do czyszczenia metalowych filtrów oleju używać mokrej ściereczki, aby wyczyścić części wychytujące filtra wewnątrz urządzenia.
- Metalowe filtry oleju można myć w zmywarce lub ręcznie.
- Nie rozpryskiwać środków czyszczących bezpośrednio na urządzenie.
- Nie stawiać przedmiotów palnych ani ciężkich ozdób na urządzeniu.

### 4.1 Mycie w zmywarce

- W przypadku mycia w zmywarce może się pojawić lekkie przebarwienie. Nie wpływa to na działanie metalowego filtra oleju.
- Nie myć mocno zabrudzonych metalowych filtrów oleju razem z naczyniami.
- Rozmieścić metalowe filtry oleju w zmywarce z zachowaniem wyraźnych odstępów. Metalowe filtry oleju nie powinny być ściśnięte w zmywarce.

### 4.2 Mycie ręczne

- W przypadku uporczywych zabrudzeń użyć specjalnego środka do rozpuszczania oleju. Można go nabyć w autoryzowanych centrach sprzedaży.
- Namoczyć metalowy filtr oleju w gorącej wodzie z dodatkiem płynu do zmywania.
- Do czyszczenia używać szczotki i poczekać, aż płyn dobrze wsiąknie w metalowy filtr oleju. Po czyszczeniu dokładnie wyplukać filtr.
- Zmiany w danych technicznych produktu oraz treści instrukcji obsługi mogą być wprowadzane bez powiadomienia.

- Opiswane urządzenie jest zgodne z rozporządzeniem w sprawie zużytego sprzętu elektrycznego i elektronicznego (WEEE).
- Okap jest przeznaczony do użytku nad płytą grzewczą. Należy się upewnić, że nośność ściany jest odpowiednia do zainstalowania okapu. Wszelkie koszty związane z wyburzeniem, cięciem i podobnymi pracami wymaganymi w celu montażu urządzenia ponosi klient. Z okapu można korzystać z przewodem odprowadzającym spaliny do atmosfery lub bez takiego przewodu (po zamontowaniu filtra węglowego). Należy brać pod uwagę wszystkie aspekty, które można napotkać przed rozpoczęciem i w trakcie instalacji. Instalacja powinna być wykonana przez wykwalifikowanych serwisantów. Instalację może wykonywać wyłącznie upoważniony specjalista znający się na wentylacji. Okres żywotności urządzenia określony przez Ministerstwo przemysłu (okres dostępności części zamiennych potrzebnych do prawidłowego działania funkcji urządzenia) wynosi 10 (dziesięć) lat.
- Podczas przenoszenia i transportu urządzenia należy umieścić je w oryginalnym opakowaniu, aby zapobiec uszkodzeniom podzespołów.
- Urządzenie podczas przenoszenia musi znajdować się w położeniu takim samym jak do pracy.
- Należy uważać, aby nie upuścić urządzenia, a także zabezpieczyć je przed uszkodzeniem podczas transportu. Gwarancja nie dotyczy usterek i uszkodzeń powstałych podczas transportu po dostarczeniu urządzenia do klienta.

## 5 Rozwiązywanie problemów

Rozwiązywanie problemów	Problem	Pomoc
Produkt nie działa.	Sprawdź bezpiecznik.	Bezpiecznik może być zablokowany, napraw to.
Produkt nie działa.	Sprawdź połączenie elektryczne.	Napięcie sieciowe powinno wynosić między 220-240 V.
Produkt nie działa.	Sprawdź połączenie elektryczne.	Sprawdź, czy inne przedmioty w Twojej kuchni działają, czy nie.
Oświetlenie nie działa.	Sprawdź połączenie elektryczne.	Napięcie sieciowe powinno wynosić między 220-240 V.
Oświetlenie nie działa.	Sprawdź włącznik oświetlenia.	Powinien się znajdować w pozycji „ON”
Oświetlenie nie działa.	Sprawdź lampy.	Lampy nie powinny być uszkodzone.
Pobór powietrza jest słaby.	Sprawdź filtr przeciw tłuszczowy.	Aluminiowy filtr przeciw tłuszczowy należy czyścić co najmniej raz w miesiącu przy normalnym użytkowaniu.
Pobór powietrza jest słaby.	Sprawdź kanał wentylacyjny.	Powinien się znajdować w pozycji „ON”
Pobór powietrza jest słaby.	Sprawdź filtr węglowy.	W przypadku produktów z filtrami węglowymi filtr należy wymieniać co 3 miesiące.

Drodzy Klienci,

Dziękujemy za zakup naszych produktów. Jesteśmy przekonani, że nasze urządzenia będą służyć przez lata. Każdy produkt firmy Beko jest objęty 2-letniem okresem gwarancji.

## **Warunki gwarancji Beko S.A. (małe urządzenia AGD)**

BEKO spółka akcyjna z siedzibą w Warszawie (02-819), przy ulicy Puławskiej 366, wpisana do rejestru przedsiębiorców prowadzonego przez Sąd Rejonowy dla m.st. Warszawy w Warszawie, XIII Wydział Gospodarczy Krajowego Rejestru Sądowego, pod numerem: 0000078147 (dalej: „BEKO”) udziela gwarancji jakości (dalej: „Gwarancja”) na wprowadzone przez BEKO do obrotu na terenie Polski produkty marki BEKO (dalej: „Urządzenia”) osobom, które nabyły te produkty („Użytkownik”) na następujących warunkach:

### **I. ZAKRES OCHRONY.**

BEKO gwarantuje, że Urządzenie zakupione przez Użytkownika jest wolne od wad produkcyjnych lub materiałowych, powstałych z przyczyn tkwiących w tym Urządzeniu (dalej: „Wada”), które ujawnią się w ciągu terminu określonego w części II. niniejszych Warunków Gwarancji (dalej: „Okres Gwarancyjny”).

W razie ujawnienia się Wady Produktu w trakcie Okresu Gwarancyjnego, zostanie ona usunięta na koszt BEKO w sposób uzależniony od właściwości wady, na zasadach i w zakresie określonym w niniejszych Warunkach Gwarancji.

BEKO zobowiązuje się do usunięcia Wady poprzez dokonanie nieodpłatnej naprawy lub wymiany Urządzenia, bądź też reklamacja zgłoszona na podstawie niniejszych Warunków Gwarancji zostanie rozpatrzona w inny sposób uzgodniony przez BEKO i Użytkownika.

Udzielona gwarancja jest ważna na terytorium Rzeczypospolitej Polskiej.

### **II. CZAS TRWANIA GWARANCJI.**

Okres Gwarancyjny wynosi 24 miesiące licząc od daty zakupu Urządzenia przez pierwszego Użytkownika.

### **III. PROCEDURA ZGŁOSZENIA REKLAMACYJNEGO.**

Wady Urządzenia ujawnione w Okresie Gwarancyjnym będą usuwane pod warunkiem przedstawienia przez Użytkownika dowodu zakupu tego Urządzenia zawierającego oznaczenia niezbędne do jego identyfikacji (model,

datę zakupu).

Uprawnienia wynikające z niniejszych Warunków Gwarancji mogą być zrealizowane przez Użytkownika wyłącznie w Autoryzowanych Punktach Serwisowych BEKO (dalej: „Serwis”) po uprzednim dokonaniu zgłoszenia na Infolinii BEKO pod numerem telefonu: 22 250 14 14. Urządzenie powinno być odpowiednio zapakowane i zabezpieczone przez Użytkownika na czas transportu do punktu serwisowego BEKO. Wady Urządzenia będą usunięte w terminie 14 dni od daty zgłoszenia Wady na Infolinii BEKO.

Jeżeli część zamienna wymieniana w ramach uprawnień wynikających z niniejszych Warunków Gwarancji Urządzenia jest sprowadzana z zagranicy, termin naprawy, o którym mowa w punkcie 5 powyżej, może ulec wydłużeniu jednak, nie więcej niż do 30 dni licząc odpowiednio od daty zgłoszenia Wady na Infolinii BEKO. Informacje o spodziewanych terminach napraw dostępne są na Infolinii BEKO pod numerem 22 250 14 14. Po usunięciu Wady, Urządzenie zostanie dostarczone Użytkownikowi na koszt BEKO.

#### **IV. WYŁĄCZENIA.**

Warunkiem skorzystania z niniejszych Warunków Gwarancji jest:

- użytkowanie Urządzenia zgodnie z Instrukcją Obsługi dołączoną do tego Urządzenia i jego przeznaczeniem, jak również odpowiednie czyszczenie i konserwacje Urządzenia;
- użytkowanie w warunkach indywidualnego gospodarstwa domowego. Urządzenie nie jest używane do celów prowadzenia działalności gospodarczej lub w zastosowaniach eksploatacji masowej, w szczególności w gastronomicznej działalności hoteli, restauracji i innych obiektów turystyczno-rekreacyjnych lub zbiorowego żywienia. Stosowanie osprzętu zalecanego przez producenta; brak ingerencji w Urządzenie przez osoby do tego nieupoważnione; brak ingerencji w tabliczkę znamionową z numerem seryjnym Urządzenia.

Udzielona przez Beko Gwarancja nie obejmuje:

- wad powstałych z przyczyn innych niż tkwiące w Urządzeniu;
- normalnego zużycia elementów eksploatacyjnych tj. akumulatory, baterie, noże, filtry, żarówki, szczotki, itp.;
- czynności przewidzianych w Instrukcji Obsługi, do wykonania których zobowiązany jest Użytkownik Urządzenia we własnym zakresie i na swój koszt, w tym: instruktażu dotyczącego obsługi Urządzenia, instalacji oraz regulacji urządzenia.
- usterek powstałych w wyniku nieprawidłowego lub niewłaściwego użytkowania, niedbalstwa, przypadkowego uszkodzenia Urządzenia, nieodpowiedniego napięcia prądu lub dokonania jakichkolwiek zmian, które mają wpływ na niewłaściwe działanie Urządzenia, i które naprawiane były przez osoby nieupoważnione, używania instalacji niezgodnych

z odpowiednimi Polskimi Normami i innymi niż wymienione w Instrukcji Obsługi Urządzenia;  
uszkodzeń mechanicznych, termicznych, chemicznych, korozji, innych uszkodzeń spowodowanych działaniem lub zaniedbaniem Użytkownika lub powstałych na skutek działania sił zewnętrznych (do których zalicza się w szczególności wyładowania atmosferyczne, skoki napięcia, wszystkiego rodzaju awarie domowej instalacji wodno-kanalizacyjnej, itp.), a także powstałych na skutek przedostania się zanieczyszczeń lub ciał obcych do Urządzenia, zakamienienia (proces odkamieniania musi być przeprowadzany zgodnie z instrukcją obsługi z użyciem odpowiednich środków czyszczących) elementów ze szkła, plastiku oraz porcelany; odbarwień Urządzenia lub poszczególnych jego części;  
- usterek powstałych na skutek przechowywania i użytkowania Urządzenia w warunkach, które są niezgodne z normalnymi warunkami domowymi określonymi wymaganiami powszechnie obowiązujących przepisów prawa i odpowiednich Polskich Norm;

## **V. POZOSTAŁE POSTANOWIENIA.**

Niniejsze warunki gwarancji mają zastosowanie do Urządzeń zakupionych od dnia 01.03.2019 r. Gwarant oświadcza, że niniejsza Gwarancja jest udzielana Użytkownikowi dodatkowo i nie wyłącza, nie ogranicza ani nie zawiesza uprawnień Użytkownika wynikających z przepisów o rękojmi za wady rzeczy sprzedanej na podstawie Kodeksu cywilnego.

# Nejprve si přečtěte tento návod k použití!

Vážený zákazníku,

Děkujeme, že jste si vybrali tento produkt značky Beko. Doufáme, že s tímto spotřebičem, který byl vyroben s využitím vysoce kvalitní a moderní technologie, dosáhnete těch nejlepších výsledků. Z tohoto důvodu si před použitím spotřebiče pečlivě přečtěte celý návod k použití a jakékoli doplňující dokumenty a uchovejte je pro budoucí použití. Pokud spotřebič předáte další osobě, rovněž jí předejte návod k použití. Dodržujte pokyny a věnujte pozornost všem informacím a varováním uvedeným v návodu k použití.

Nezapomeňte, že se tento návod může vztahovat i k několika jiným modelům. Rozdíly mezi modely jsou v návodu výslovně popsány.

## Význam symbolů

V různých částech tohoto návodu k použití jsou použity následující symboly:



Důležité informace a užitečné tipy k použití.



**VAROVÁNÍ:** Upozornění na nebezpečné situace týkající se ohrožení života a majetku.



Varování před nebezpečím požáru.



Varování před úrazem elektrickým proudem.



Tento spotřebič byl vyroben v ekologicky šetrných a moderních zařízeních bez negativního dopadu na životní prostředí.

# 1 Důležité pokyny z hlediska bezpečnosti a životního prostředí

## 1.1 Obecné bezpečnostní pokyny

Důležité bezpečnostní pokyny, přečtěte si je pozorně a uchovejte pro pozdější použití

Tento oddíl obsahuje bezpečnostní pokyny, které vám pomohou ochránit před vznikem požáru, zásahem elektrickým proudem, následky unikající mikrovlnné energie, zraněním osob nebo poškozením majetku. Nedodržení těchto pokynů zruší platnost záruky.

- Výrobky značky Beko splňují platné bezpečnostní normy; proto v případě jakéhokoli poškození spotřebiče nebo napájecího kabelu musí být provedena oprava nebo výměna prodejcem, servisním centrem nebo odborníkem z autorizovaného servisu, aby se předešlo nebezpečí. Chybná nebo neodborná oprava může být nebezpečná pro uživatele.
- Toto zařízení je určeno pouze pro domácí a podobné použití, například:
  - v prostorách kuchyňského personálu v obchodech, kancelářích a dalších pracovních prostředích;
  - na farmách;
  - klienty v hotelech a dalších ty-

pech obytného prostředí;

- v prostředí typu Bed and Breakfast.

- Spotřebič používejte pouze k určenému účelu, jak je popsáno v tomto návodu.
- Výrobce nenese odpovědnost za žádné škody plynoucí z nesprávné instalace či nevhodného způsobu použití spotřebiče.
- Tento spotřebič mohou používat děti starší 8 let a osoby s omezenými tělesnými, smyslovými nebo mentálními schopnostmi anebo osoby bez příslušných znalostí a zkušeností, pokud jsou pod dozorem nebo byly poučeny o bezpečném užívání tohoto přístroje a chápou související nebezpečí.
- Děti si se spotřebičem nesmí hrát. Čištění a údržba nesmí být prováděny dětmi bez dohledu dospělé osoby.
- Minimální vzdálenost mezi nosnými plochami varných nádob na varné desce a nejnižší stranou výrobku musí být nejméně 65 cm.
- Pokud v návodu k instalaci plynové desky najdete větší vzdálenost, je nutno postupovat podle toho.
- Zkontrolujte, zda vaše napájení



# 1 Důležité pokyny z hlediska bezpečnosti a životního prostředí

odpovídá informacím uvedeným na štítku spotřebiče.

- Nikdy nepoužívejte spotřebič, pokud je poškozen napájecí kabel nebo spotřebič.
- Předejděte poškození napájecího kabelu zabráněním jeho zmáčknutí, ohnutí nebo odírání o ostré hrany. Napájecí kabel udržujte mimo horké povrchy a otevřený oheň.
- Spotřebič zapojte pouze do uzemněné zásuvky.

**VAROVÁNÍ:** Nezapojujte spotřebič do sítě, dokud není instalace zcela dokončena.

- Spotřebič umístěte tak, aby byla zástrčka vždy přístupná.
- Nedotýkejte se žárovek, pokud jsou v provozu delší dobu. Mohou spálit ruce, protože budou horké.
- Dodržujte předpisy stanovené příslušnými úřady o vypouštění odpadního vzduchu (toto upozornění se nevztahuje na použití bez kouřovodu).
- Spusťte spotřebič po umístění hrnce, pánve apod. na varnou desku. V opačném případě může vysoká teplota způsobit deformaci některých částí výrobku.

- Před sejmutím hrnce, pánve apod. vypněte varnou desku.
- Nenechávejte na varné desce horký olej. Nádoby s horkým olejem mohou způsobit samovznícení.
- Dávejte pozor na záclony a závěsy, protože olej se může při smažení některých potravin, jako jsou hranolky, vznítit.
- Tukový filtr musí být vyměněn nejméně jednou měsíčně. Uhlíkový filtr musí být vyměněn nejméně každé 3 měsíce.
- Spotřebič musí být čištěn v souladu s návodem k použití. Pokud čištění nebylo provedeno v souladu s návodem k použití, může hrozit nebezpečí požáru.
- Namísto stávajícího filtru nepoužívejte filtrační materiály neodolné proti ohni.
- Používejte pouze originální části doporučené výrobcem.
- Neprovozujte spotřebič bez filtru a neodstraňujte filtry, když je spotřebič spuštěn.
- V případě, že dojde k zapálení plamene, vypněte napájení spotřebiče a vařičů.
- V případě, že dojde k zapálení pla-

# 1 Důležité pokyny z hlediska bezpečnosti a životního prostředí

mene, plamen zakryjte a nikdy k jeho hašení nepoužívejte vodu.

- Spotřebič odpojte před každým čištěním a v případě, že jej nepoužíváte.
- Podtlak v místnosti nesmí překročit 4 Pa (4 x 10 bar), zatímco digestoř pro elektrickou varnou desku a spotřebiče pracující na jiném typu energie, než je elektřina, pracují současně.
- V prostředí, kde je spotřebič používán, musí být odvětrávání zařízení běžících na topném oleji nebo plynu, jako je teplovzdušný ventilátor, naprosto izolováno nebo zařízení musí být hermetického typu.
- Při připojování kouřovodu použijte trubky o průměru 120 nebo 150 mm. Připojení trubek musí být co nejkratší a mít co nejméně záhybů.

**Riziko zadušení!** Všechny obaly uchovejte mimo dosah dětí.

**UPOZORNĚNÍ:** Přístupné součástky se mohou zahřát při použití s vařiči.

- Vývod spotřebiče nesmí být připojen ke vzduchovodům, do kterých je vyveden jiný kouř.
- Ventilace v místnosti může být nedostatečná, pokud je digestoř

pro elektrickou varnou desku používána současně se zařízeními na plyn nebo jiná paliva (to neplatí pro spotřebiče, které vypouštějí vzduch zpět do místnosti).

- Předměty umístěné na spotřebiči mohou spadnout. Na spotřebiči neumísťujte žádné předměty.
- Pod spotřebičem nikdy neřezávejte.

**VAROVÁNÍ:** Před instalací digestoře odstraňte ochranné fólie.

- Nikdy nenechávejte obnažený plamen pod digestoří, která je zapnutá.
- Pánve na smažení je nutno během používání stále sledovat: přehřátý olej může vzplanout.

## 1.2 Shoda se směrnicí OEEZ a likvidace výrobku:

Tento výrobek splňuje požadavky směrnice EU OEEZ (2012/19/EU). Tento výrobek je označen symbolem pro třídění elektrického a elektronického odpadu (OEEZ).



Tento symbol znamená, že příslušný výrobek na konci jeho životnosti nesmí být likvidován spolu s jiným domácím odpadem. Použité zařízení musíte odnést do oficiální sběrný

# 1 Důležité pokyny z hlediska bezpečnosti a životního prostředí

pro recyklaci elektrických a elektronických zařízení. Obráťte se na místní úřady nebo na prodejce, u kterého jste si zařízení zakoupili, a informujte se o umístění sběrných zařízení. Každá domácnost hraje důležitou roli ve sběru a recyklaci starých zařízení.

Správná likvidace starého zařízení pomáhá předejít možným negativním následkům pro životní prostředí a lidské zdraví.

## 1.3 Dodržování směrnice RoHS

Výrobek, který jste zakoupili, splňuje požadavky směrnice EU RoHS (2011/65/EU). Neobsahuje škodlivé ani zakázané materiály specifikované ve směrnici.

## 1.4 Informace o balení



Obalové materiály produktu jsou vyrobeny z recyklovatelných materiálů v souladu s naší národní legislativou na ochranu životního prostředí. Obalové materiály nelikvidujte společně s domácím nebo jiným druhem odpadu. Odveďte je na sběrné místo obalových materiálů určené místními úřady.

## 1.5 Život ohrožující riziko Riziko otravy



Obr. 1: Riziko otravy



Obr. 2: Riziko otravy



### **NEBEZPEČÍ!** **Varování - Riziko udušení**

Obalové materiály jsou pro děti nebezpečné. Nedovolte dětem manipulovat s obalovými materiály.

# 1 Důležité pokyny z hlediska bezpečnosti a životního prostředí

## NEBEZPEČÍ!

### Varování - Nebezpečí smrti

Život ohrožující riziko, riziko otravy je způsobeno znovu absorbovanými spalovacími plyny. Pro použití s výstupem vzduchu nepoužívejte spotřebič současně se zařízeními, které vylučují jedovaté plyny, jako jsou kamna s cirkulací vzduchu provozována s plynem, olejem, dřevem nebo dřevěným uhlím, lázeňská kamna, ohřívače vody atd., pokud není zajištěn dostatečný přívod vzduchu. Obr. 3



Zařízení s cirkulací vzduchu (např. kamna, která jsou provozována s plynem, olejem, dřevem nebo dřevěným uhlím, lázeňská kamna, ohřívače vody) odebírají vzduch z instalačního místa a vypouštějí odpadní plyn prostřednictvím systému odpadních plynů (např. kouřovodu). Spotřebič během provozu absorbuje vzduch z kuchyně a sousedních místností. Pokud není dodáno dostatečné množství vzduchu, může docházet k tvoření vakua. V tomto případě se jedovaté plyny absorbují zpět z kouřovodu a potrubí na odpadní plyny a vracejí se zpět do místnosti. Obr. 1

Z tohoto důvodu je třeba zajistit, aby bylo vždy dodáváno dostatečné množství čistého vzduchu. Obr. 2

## VAROVÁNÍ!

### Nebezpečí požáru!

Olejový kal na olejovém filtru se může vznítit. Olejový filtr vyčistěte nejméně jednou měsíčně. Nikdy spotřebič nepoužívejte bez olejového filtru. Filtr na uhlí vyčistěte nejméně jednou každé tři měsíce.

Olejový kal na olejovém filtru se může vznítit. Nikdy nepracujte s plamenem v blízkosti spotřebiče (např. flambování). Spotřebič smí být instalován pouze v blízkosti topného zařízení, které je ohříváno pevným palivem (např. dřevem nebo uhlím) za předpokladu, že je k dispozici uzavřený kryt, který není odnímatelný. Nesmí být způsobeny žádné jiskry.

Horké rostlinné oleje a tuk se snadno vznítí. Pozornost by měla být vždy věnována horkým rostlinným olejům a tukům. Nesnažte se uhasit oheň vodou.

Vypněte varnou desku. Plamen opatrně přikryjte víkem, nehořlavou dekou nebo podobným předmětem.



# 1 Důležité pokyny z hlediska bezpečnosti a životního prostředí



Plynové varné desky, které na nich nemají žádné kuchyňské nádoby, vytvářejí během provozu vysoké teplo. Větrací zařízení umístěné na varné desce se proto může poškodit nebo shořet. Plynové varné desky používejte pouze v případě, že je na nich nádoby na vaření.

Provoz více než jedné plynové varné desky současně způsobuje vysoké teplo. Větrací zařízení umístěné na varné desce se proto může poškodit nebo shořet. Nepoužívejte dvě plynové varné desky s vysokým plamenem déle než 15 minut. Hořák s výkonem nad 5kW (Wok) je roven hořáku se dvěma hladinami plynu.

## VAROVÁNÍ!

### Nebezpečí úrazu elektrickým proudem!

Vadný spotřebič může způsobit úraz elektrickým proudem. Nepoužívejte vadný spotřebič. Odpojte ho nebo vyjměte pojistku z pojistkové skříňky. Kontaktujte zákaznické centrum.

opravy, které nejsou v souladu s pokyny, představují hrozbu. Opravy a výměny vadných elektrických kabelů smí provádět pouze servisní technik vyškolený naší firmou. Pokud je spotřebič vadný, odpojte ho nebo vyjměte pojistku z pojistkové skříňky. Kontaktujte zákaznické centrum.

Voda unikající do spotřebiče může způsobit úraz elektrickým proudem. Nesmí se používat vysokotlaké nebo parní čističe.



## NEBEZPEČÍ!

### Nebezpečí zranění!

Hrozí nebezpečí poranění během instalace v důsledku ostrých hran. Při instalaci spotřebiče vždy použijte ochranné rukavice.

Všechny bezpečnostní šrouby a bezpečnostní kryty musí být instalovány tak, jak je uvedeno v návodu k použití z důvodu nebezpečí pádu spotřebiče.

Objekty na spotřebiči mohou spadnout. Nepokládejte na spotřebič žádné předměty.

Světlo LED je příliš ostré a může poškodit vaše oči (skupina nebezpečí 1). Nedívejte se přímo na světlo LED déle než 100 sekund.



## UPOZORNĚNÍ

Přístupné součástky se mohou zahřát při použití s vařiči.



V případě oprav, které nebyly provedeny řádně nebo v souladu s pravidly, vypněte pojistku nebo odpojte spotřebič ze zásuvky. Opravy smí provádět pouze autorizovaný servis nebo autorizovaný odborný personál.

V případě oprav, které nebyly provedeny řádně nebo v souladu s pravidly, vypněte pojistku nebo odpojte spotřebič ze zásuvky. Opravy smí provádět pouze autorizovaný servis nebo autorizovaný kvalifikovaný personál.

# 1 Důležité pokyny z hlediska bezpečnosti a životního prostředí

## **NEBEZPEČÍ!** **Nebezpečí popálení, nebezpečí úrazu elektrickým proudem!**

Před čištěním nebo údržbou vyčkejte, až spotřebič vychladne. Vypněte pojistku nebo odpojte spotřebič.

Nebezpečí poškození v důsledku pronikání vlhkosti do elektroniky. Regulátory nikdy nečistěte mokrým hadříkem.

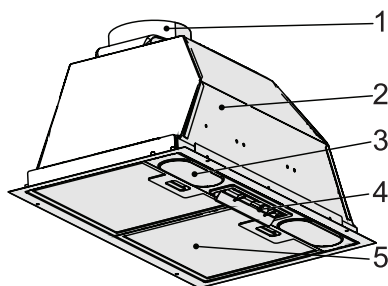
Při nesprávném čištění může dojít k poškození povrchu. Povrchy z nerezové ocele čistěte pouze ve směru kartáčování. Pro regulátory nepoužívejte čistič na nerezovou ocel.

Povrch může být poškozen abrazivními nebo třecími čisticími prostředky. Nikdy nepoužívejte abrazivní čisticí prostředky.



## 2 Celkový vzhled

### 2.1 Přehled



1. Kouřovod
2. Tělo
3. Osvětlení varné desky
4. Ovládací panel
5. Hliníkový olejový filtr

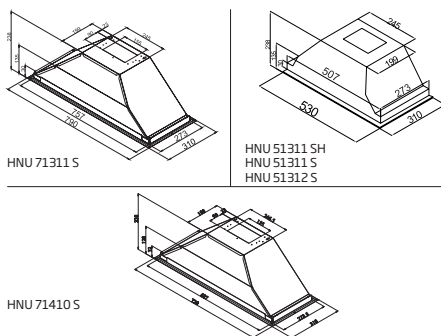
### 2.2 Technické údaje

**CE** Tento spotřebič splňuje evropskou směrnici CE 2014/30/EU (směrnice o elektromagnetické kompatibilitě) a 2014/35/EU (směrnice o nízkém napětí (LVD)).

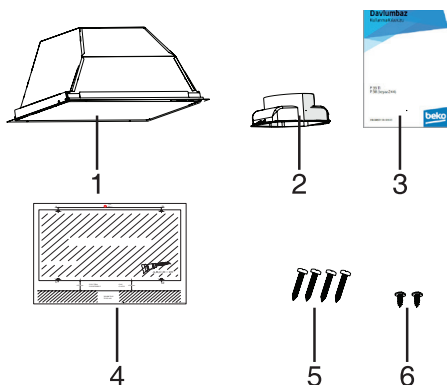
Napájecí napětí	220 - 240V 50 Hz.
Výkon žárovky (W)	2x3 W
Výkon motoru (W)	1x185 W
Izolační třída motoru	F
Izolační třída	I

Technické a vzhledové změny vyhrazeny. Rozměry uvedené v technických výkresech jsou v mm. Tento obrázek je uveden pouze pro informaci o částech spotřebiče. Části se mohou lišit podle modelu spotřebiče. Obrázky jsou poskytovány reprezentativním způsobem.

### 2.3 Technický výkres



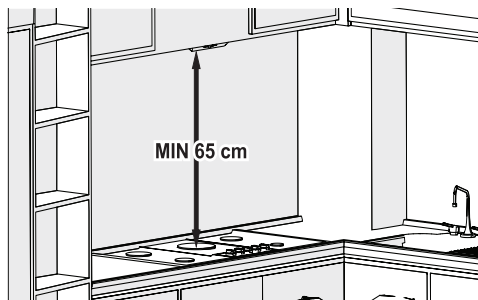
### 2.4 Obsah balení



1. Digestoř
2. Plastový kouřovod Ø120 mm
3. Návod k použití
4. Instalační nákras
5. 4x Šroub 3,9 x 32 (pro instalaci digestoře)
6. Šroub 3,5 x 9,5 (pro montáž plastového kouřovodu)

# 3 Instalace a použití spotřebiče

## 3.1 Umístění spotřebiče



- Před instalací je třeba věnovat pozornost vzdálenosti mezi varnou deskou a digestoří. Tato vzdálenost musí být 65 cm.
- Měření musí být provedeno od mřížky na plynových varných deskách a od skla na elektrických varných deskách.



Váš nový spotřebič je obzvláště energeticky účinný. Najdete zde několik rad, jak ušetřit více energie při používání spotřebiče, a zda je nutné řádně spotřebič likvidovat.

## 3.2 Co je třeba udělat pro úsporu energie;

- Zajistěte dostatečný přívod vzduchu, aby byla digestoř schopna pracovat efektivně a s nízkým provozním hlukem během vaření.
- Nastavte úroveň ventilátoru podle hustoty páry v kuchyni. Použijte vysokou úroveň pouze v případě potřeby. Nižší úroveň ventilátoru znamená nižší spotřebu energie.
- Pokud se v kuchyni očekává hustý kouř, vyberte vyšší úroveň ventilátoru předem. Pro odstranění kouře, který je již rozšířený po celé kuchyni, je nutné používat digestoř mnohem déle.
- Pokud digestoř nepoužíváte, vypněte ji.

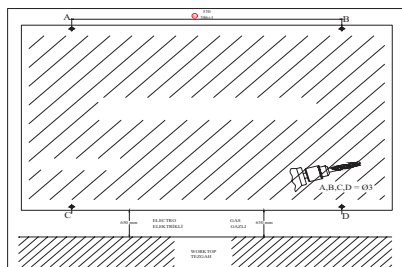
- V uvedených intervalech vyčistěte nebo vyměňte filtr, čímž se zvýší účinnost větrání a vyloučí se nebezpečí požáru.

## 3.3 Instalace spotřebiče



### UPOZORNĚNÍ

Při vrtání a řezání používejte ochranné rukavice a brýle.

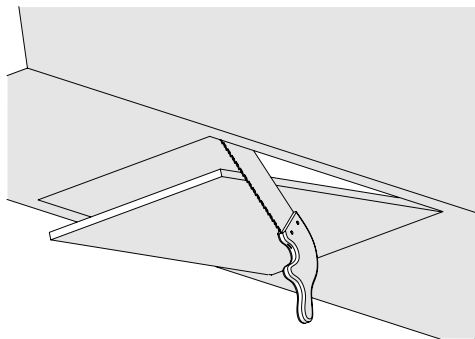


Obr. 6

## 3.4 Vrtání montážních otvorů

- Použijte montážní šablonu dodanou s přístrojem na povrch, na kterém bude instalace provedena.
- Vyvrtejte otvory označené na instalační šabloně písmeny A, B, C, D vrtákem s  $\varnothing$  4 mm. Obr. 6

Obr. 7

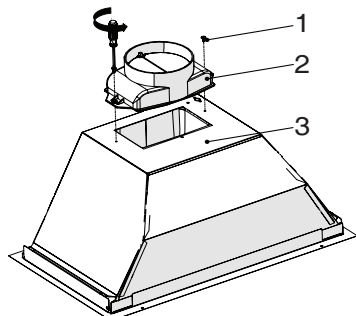




## 3 Instalace a použití spotřebiče

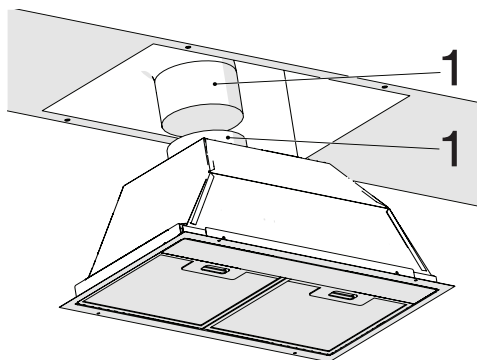
- Odřízněte spodní povrch skříně, kde bude instalována digestoř, v rozměrech specifikovaných v technickém výkresu (Obr. 7).

Obr. 8



1. Šroub 3,5 x 9,5
2. Plastový kouřovod Ø 120 mm
3. Zásuvka tělesa ventilu

- Pomocí 2 šroubů 3,5 x 9,5 připevněte k tělesu spotřebiče plastový kouřovod dodávaný se spotřebičem. (Obr. 8) Neotírejte je o povrch. Obr. 8



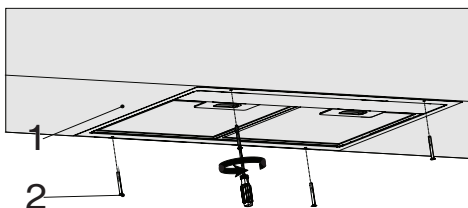
Obr. 9

1. Potrubí vývodu vzduchu
  2. Kouřovod digestoře
- Připojte potrubí vývodu vzduchu ke kouřovodu a upevněte pomocí svorky (Obr. 9).



### UPOZORNĚNÍ

Jelikož ohyby a kolena na hliníkovém kouřovodu způsobí pokles sacího výkonu, používejte je co možná nejméně.

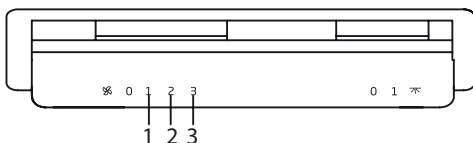


Obr. 10

1. Pohled zdola kuchyňské linky
2. Montážní šroub 4 X 3,9 X 32 Digestoř umístěte do kuchyňské skřínky a namontujte na 4 instalační otvory, které byly předtím vyvrtány (Obr. 10).

## 3.5 Použití spotřebiče

### 3.5.1 Použití kolébkového spínače



- Přepněte spínač světla do polohy „0“, abyste světlo vypnuli.
- Přepněte spínač světla do polohy „1“, abyste světlo zapnuli.
- Přepněte spínač motoru do polohy „0“ a motor se vypne.
- Motor můžete ovládat v 1. stupni minimální rychlosti a ve 3. stupni maximální rychlosti podle hustoty páry.

## 3 Instalace a použití spotřebiče

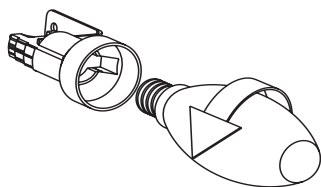
### 3.6 Výměna žárovky

#### 3.6.1 Výměna svíčkové žárovky



#### VAROVÁNÍ

Odpojte napájení digestoře. Horké žárovky mohou popálit vaše ruce, tak počkejte až vychladnou.



Obr. 11: Výměna svíčkové žárovky

- Vyměňte hliníkový vložkový filtr. Vyměňte vadnou žárovku a vyměňte ji za novou se stejnými hodnotami. Obr. 11



#### POZNÁMKA:

Pokud se spotřebič porouchá nebo poškodí, vypněte pojistku nebo odpojte spotřebič a zavolejte autorizovaného servisního technika.



#### POZNÁMKA:

Pokud je poškozen napájecí kabel, musí jej vyměnit výrobce, servisní středisko nebo podobně kvalifikovaná osoba, aby se předešlo nebezpečí.



#### POZNÁMKA:

V případě poruchy žárovky spotřebiče vypněte pojistku nebo odpojte spotřebič. Vadné žárovky ihned vyměňte, abyste zabránili přetížení dalších žárovek (počkejte, než žárovky vychladnou).

## 4 Čištění a údržba



### UPOZORNĚNÍ

Nikdy uhlíkové filtry neumývejte. Udržujte uhlíkové filtry mimo dosah dětí.



### UPOZORNĚNÍ

Čištění a údržbu nesmí děti provádět bez dohledu dospělé osoby.

- Povrch může být poškozen abrazivními nebo třecími čistícími prostředky. Nikdy nepoužívejte abrazivní nebo třecí čistící prostředky. Z autorizovaného servisu si obstarajte čistící prostředky a ochranné materiály vhodné pro váš spotřebič. Povrch spotřebiče a regulátory jsou citlivé na poškrábání.
- Povrch čistěte měkkým a vlhkým hadříkem, mycím prostředkem nebo jemným čistícím prostředkem na sklo. Suchou a ulpělou nečistotu změkčete vlhkým hadříkem. Neseškrabujte!
- Suché hadry, houby, které mohou poškrábat, materiály, které vyžadují tření, písek a další účinné čistící prostředky obsahující minerální vodu, kyselinu nebo chlorid, nejsou vhodné.
- Povrchy z nerezové ocele čistěte pouze ve směru broušení.
- Pro řídicí jednotky nepoužívejte čistící prostředek na nerezové ocele ani mokré hadry. Čištění kovových olejových filtrů Použité kovové olejové filtry zadržují vlhkost vytvářenou v kuchyni a olejové částice obsažené v páře. V případě pravidelného používání (1 až 2 hodiny denně) vyčistěte kovové olejové filtry přibližně jednou za 3 měsíce.
- Nepoužívejte příliš účinné, okyselené nebo korozivní čistící prostředky.
- Pro čištění kovových olejových filtrů použijte vlhký hadřík k čištění přídržných částí kovových olejových filtrů uvnitř spotřebiče.
- Kovové olejové filtry můžete mýt v myčce nebo ručně.



### UPOZORNĚNÍ

Tento spotřebič můžete používat v režimu odpadního vzduchu a v režimu cirkulace vzduchu.



### Režim odpadního vzduchu

Absorbovaný vzduch je čištěn olejovými filtry a vypouštěn potrubním systémem. (Obr. 3) Chcete-li odvádět odpadní vzduch do vyrazeného kouřovodu, musíte získat povolení od autorizovaného odborníka na čištění kouřovodu. Pokud je odpadní vzduch vypouštěn přes vnější stěnu, je třeba použít teleskopický rám.



Absorbovaný vzduch je čištěn olejovými filtry a filtrem s aktivním uhlím a vypouštěn do kuchyně. Obr. 4



### POZNÁMKA!

Odpadní vzduch nesmí být přenášen do kouřového nebo spalínového kouřovodu, ani do kouřovodů používaných pro větrání míst, kde jsou instalovány zdroje tepla.



Pro utěsnění materiálů způsobujících zápach v režimu cirkulujícího vzduchu byste měli nainstalovat filtr s aktivním uhlím. Poradte se s autorizovaným prodejcem, abyste zjistili různé možnosti provozu spotřebiče v režimu cirkulace vzduchu. Příslušenství potřebné pro tento postup můžete zakoupit na příslušných prodejních místech, u autorizovaných servisních agentů nebo online.

## 4 Čištění a údržba

### UPOZORNĚNÍ

Nebezpečí poškození v důsledku poškození korozí. Spotřebič používejte vždy při vaření, aby se zabránilo tvorbě kondenzátu. Kondenzát může způsobit poškození korozí. Vadné žárovky ihned vyměňte, abyste zabránili přetížení dalších žárovek. Nebezpečí poškození v důsledku pronikání vlhkosti do elektroniky. Regulátory nikdy nečistěte mokrým hadříkem. Při nesprávném čištění může dojít k poškození povrchu. Povrchy z nerezové ocele čistěte pouze ve směru kartáčování. Pro regulátory nepoužívejte čistič na nerezovou ocel. Povrch může být poškozen abrazivními nebo třecími čisticími prostředky. Nikdy nepoužívejte abrazivní čisticí prostředky. Nebezpečí poškození v důsledku zpětného proudění kondenzátu. Nainstalujte vývod vzduchu se sklonem 1°, směrem dolů od spotřebiče.



- Neaplikujte čisticí prostředky ve spreji přímo na spotřebič.
- Nepokládejte na spotřebič hořlavé a/nebo těžké dekorativní předměty.

### 4.1 Mytí v myčce na nádobí

- V případě mytí v myčce může dojít k mírnému zabarvení. To nemá vliv na funkci kovového olejového filtru.
- Vysoce znečištěné kovové olejové filtry neumývejte spolu s nádobím.
- Kovové olejové filtry umístěte volně do myčky. Kovové olejové filtry musí být vloženy do myčky tak, aby nebyly zaseknuté.

### 4.2 Ruční mytí

- Pro odolné nečistoty můžete použít speciální prostředek na rozpouštění oleje. Tento prostředek je k dostání v autorizovaném prodejním centru.
- Kovový olejový filtr odmočte v horké vodě s mycím prostředkem.
- K čištění použijte kartáč a počkejte, až se kapalina na kovovém olejovém filtru dobře vyčistí. Po vyčištění filtry dobře opláchněte.

Zakoupený spotřebič je vhodný pro použití s uhlíkovým filtrem. Připojení uhlíkového filtru;

1- Vložte uhlíkový filtr do jeho krytu. Obr. 15/1

2- Otočte uhlíkový filtr ve směru hodinových ručiček, abyste se ujistili, že je pevně zasunutý. Obr. 15/2



Res.13



Res.14



Res.15



Pokud není uhlíkový filtr správně připojen, může dojít k jeho pádu a poškození spotřebiče.

- Technické specifikace a tento návod mohou být změněny bez předchozího upozornění.
- Tento spotřebič je v souladu s Nařízením o doзору nad elektrickým a elektronickým odpadem.
- Tato digestoř je určena k použití nad varnou deskou. Ujistěte se, že stěna unese váhu digestoře. Náklady za rozbítí, řezání a podobné postupy prováděné na stěně nebo skříni během instalace musí hradit spotřebitel. Digestoř může být použita se systémem kouřovodu, který vypouští vzduch, nebo bez kouřovodu (připojením uhlíkového filtru). Věnujte pozornost situacím, se kterými se můžete setkat před nebo během instalace. Instalaci musí provést autorizovaný servis. Montáž musí provádět autorizovaný odborník, který má znalosti o ventilaci. Životnost spotřebiče identifikovaná ministerstvem průmyslu (doba dostupnosti náhradních dílů

## 4 Čištění a údržba

potřebných pro výkon funkcí spotřebiče) je 10 (deset) let.

- Spotřebič musí být uchováván v původním obalu, aby nedošlo k jeho poškození při manipulaci a přepravě.
- Během manipulace udržujte spotřebič v normální poloze.
- Spotřebič nenechávejte spadnout a chraňte jej před poškozením během přepravy. Záruka se nevztahuje na vady a škody vzniklé během přepravy po dodání spotřebiče zákazníkovi.

## 5 Řešení problémů

Řešení problémů	Důvod	Pomoc
Produkt nefunguje.	Zkontrolujte pojistky.	Vaše pojistka může být vybitá, zprovozněte ji.
Produkt nefunguje.	Zkontrolujte elektrické připojení.	Síťové napětí má být mezi 220-240 V.
Produkt nefunguje.	Zkontrolujte elektrické připojení.	Zkontrolujte, zda fungují ostatní výrobky v kuchyni.
Lampa osvětlení nefunguje.	Zkontrolujte elektrické připojení.	Síťové napětí má být mezi 220-240 V.
Lampa osvětlení nefunguje.	Zkontrolujte spínač lampy.	Spínač lampy musí být v poloze "zapnuto".
Lampa osvětlení nefunguje.	Zkontrolujte lampu.	Lampy produktu nesmí být vadné.
Přívod vzduchu do výrobku je slabý.	Zkontrolujte hliníkový filtr.	Hliníkový filtr na olej za obvyklého používání je třeba vyčistit alespoň jednou za měsíc.
Přívod vzduchu do výrobku je slabý.	Zkontrolujte kryt vzduchovodu.	Vzduchovod musí být v poloze "zapnuto".
Přívod vzduchu do výrobku je slabý.	Zkontrolujte uhlíkový filtr.	U výrobků s uhlíkovými filtry filtr obvykle vyměňujete každé 3 měsíce.

# Najskôr si prečítajte túto používateľskú príručku!

Vážený zákazník,

ďakujeme vám, že ste si vybrali tento spotrebič značky Beko. Dúfame, že s týmto spotrebičom, ktorý bol vyrobený vo vysokej kvalite a s najmodernejšími technológiami, dosiahnete tie najlepšie výsledky. Z tohto dôvodu si pred použitím spotrebiča pozorne prečítajte celú túto používateľskú príručku a všetky ostatné sprievodné dokumenty a uschovajte ich pre prípad potreby do budúcnosti. Ak dáte spotrebič niekomu inému, dajte mu tiež používateľskú príručku. Postupujte podľa pokynov a venujte pozornosť všetkým informáciám a varovaniam v používateľskej príručke.

Pamätajte, že táto používateľská príručka sa môže vzťahovať aj na iné modely. Rozdiely medzi modelmi budú v príručke výslovne popísané.

## Význam symbolov

V rôznych častiach tejto používateľskej príručky sú použité nasledujúce symboly:



Dôležité informácie o užitočných tipoch na použitie.



**VAROVANIE:** Upozornenie na nebezpečné situácie týkajúce sa ohrozenia života a majetku.



Upozornenia na nebezpečenstvo požiaru.



Varovanie pred zásahom elektrickým prúdom.



Tento spotrebič bol vyrobený v modernom závode šetrnom voči životnému prostrediu bez škodlivého dopadu na prírodu.

# 1. Dôležité bezpečnostné pokyny a pokyny týkajúce sa životného prostredia

## 1.1 Všeobecná bezpečnosť

Dôležité bezpečnostné pokyny: Dôležite si ich prečítajte a uschovajte pre nahliadnutie v budúcnosti

Táto časť obsahuje bezpečnostné pokyny, ktoré pomôžu ochrániť pred zranením osôb, poškodením majetku, vznikom požiaru alebo pred zásahom elektrickým prúdom. Nedodržanie týchto pokynov zruší platnosť akejkoľvek záruky.

- Produkty Beko spĺňajú platné bezpečnostné štandardy. V prípade akéhokoľvek poškodenia spotrebiča alebo napájacieho kábla musí byť oprava alebo výmena vykonaná predajcom, servisným centrom alebo odborníkom z autorizovaného servisu, aby sa predišlo akémukoľvek nebezpečenstvu. Chybná alebo neodborná oprava môže pre užívateľa predstavovať nebezpečenstvo a riziko.
- Tento spotrebič je určený len na použitie v domácnostiach a podobných prostrediach, ako sú napríklad:
  - kuchynky pre zamestnancov v obchodoch, kanceláriách a iných pracovných prostrediach,
  - budovy na farmách,

- priestory pre klientov v hoteloch, motelloch a ďalších obytných prostrediach,

- prostredia ubytovania typu Bed and Breakfast.

- Spotrebič používajte iba na určený účel, ako je popísané v tomto návode.
- Výrobca nenesie žiadnu zodpovednosť za žiadne škody spôsobené nesprávnou alebo nevhodnou inštaláciou alebo nevhodným používaním produktu.
- Tento spotrebič môžu používať deti staršie ako 8 rokov a osoby so zníženými fyzickými, vnemovými alebo mentálnymi schopnosťami, prípadne nedostatkom skúseností a vedomostí, pokiaľ sú počas prevádzky spotrebiča pod náležitým dozorom alebo sú im dané inštrukcie o bezpečnom používaní spotrebiča a sú si vedomí sprievodných rizík.
- Deťom nesmie byť dovolené hrať sa so spotrebičom. Deti bez dozoru nesmú vykonávať čistenie ani používateľskú údržbu.
- Minimálna vzdialenosť medzi varnými plochami sporáka a najnižšou časťou odsávača musí byť najmenej 65 cm.



# 1. Dôležité bezpečnostné pokyny a pokyny týkajúce sa životného prostredia

- Ak sa v pokynoch pre plynový sporák uvádza väčšia vzdialenosť, musíte ju zohľadniť.
- Skontrolujte, či vaše napájanie zodpovedá informáciám uvedeným na štítku spotrebiča.
- Nikdy nepoužívajte spotrebič, ak je napájací kábel alebo samotný spotrebič poškodený.
- Zabráňte poškodeniu napájacieho kábla tým, že zabránite jeho pritlačeniu, ohýbaniu alebo odieraniam sa o ostré hrany. Napájací kábel udržiajte mimo horúcich povrchov a otvoreného ohňa.
- Spotrebič zapájajte iba do uzemnenej zásuvky.  
**VAROVANIE:** Spotrebič nepripájajte k elektrickej sieti, kým úplne nedokončíte inštaláciu.
- Spotrebič umiestnite tak, aby bola zástrčka vždy prístupná.
- Nedotýkajte sa lúčov, ak boli v prevádzke po dlhý čas. Keďže sú horúce, mohli by ste si popáliť ruky.
- Dodržiavajte predpisy vydané kompetentnými úradmi týkajúce sa vypúšťania odsávaného vzduchu (toto neplatí pre použitie bez dymovodu).
- Váš spotrebič spustite len vtedy, ak je na varnej doske hrniec, panvica atď. V opačnom prípade môže teplo spôsobiť deformáciu niektorých častí vášho spotrebiča.
- Varnú dosku vypnite pred tým, ako z nej zložíte hrniec, panvicu a pod.
- Na varnej doske nenechávajte horúci olej. Panvice s horúcim olejom môžu zapríčiniť samovznietenie.
- Dávajte pozor na závesy a prikrývky, keďže by olej pri tepelnej úprave mohol vzblknúť, napr. pri smažení.
- Filter mastnoty sa musí vymieňať aspoň raz mesačne. Uhlíkový filter sa musí vymieňať aspoň každé 3 mesiace.
- Spotrebič musí byť čistený v súlade s používateľskou príručkou. Ak čistenie nebolo vykonané v súlade s používateľskou príručkou, môže hroziť nebezpečenstvo požiaru.
- Súčasné filtre nenahrádzajte materiálmi, ktoré nie sú ohňovzdorné.
- Používajte len originálne časti odporúčané výrobcom.
- Spotrebič nespúšťajte bez filtra a filtre nevyberajte počas prevádzky spotrebiča.
- V prípade, ak sa na spotrebiči ob-

# 1. Dôležité bezpečnostné pokyny a pokyny týkajúce sa životného prostredia

javia plamene, odpojte spotrebič aj zariadenia určené na varenie od elektrickej siete.

- V prípade vzniku ohňa zakryte plamene a nikdy nepoužívajte vodné hasiace prístroje.
- Spotrebič odpojte pred každým čistením a v prípade, že ho nepoužívate.
- Negatívny tlak prostredia by nemal presiahnuť 4 Pa (4 x 10 bar), pokiaľ je digestor pre elektrickú varnú dosku v prevádzke súčasne so spotrebičmi fungujúcimi na inom type energie.
- V prostredí, kde je tento spotrebič používaný, musia byť výfuky zariadení fungujúcich na palivách, ako je olej alebo plyn, napr. izbové vykurovacie telesá, úplne oddelené alebo tieto zariadenia musia byť hermetického typu.
- Pri montáži dymovodu použite potrubie s priemerom 120 mm alebo 150 mm. Pripojenie cez potrubie musí byť čo najkratšie a mať čo najmenej kolien.

## **Nebezpečenstvo udusení!**

Všetky obaly uchovajte mimo dosahu detí.

**VÝSTRAHA:** Prístupné časti sa

počas súčasného používania so spotrebičmi na varenie môžu zahriať.

- Výfuk spotrebiča nesmie byť napojený na vzduchové potrubia, ktoré obsahujú iný dym.
  - Vetranie miestnosti môže byť nedostatočné, ak sa digestor pre elektrické varné dosky používa súčasne so zariadeniami využívajúcimi plyn alebo iné palivá (toto sa nevzťahuje na zariadenia, ktoré vypúšťajú vzduch späť do tej istej miestnosti).
  - Predmety položené na spotrebič môžu spadnúť. Na spotrebič nekladte žiadne predmety.
  - Pod spotrebičom neflambujte.
- VAROVANIE:** Pred inštaláciou digestora odstráňte ochranné fólie.
- Počas prevádzky pod digestorom nikdy nenechávajte vysoké priame plamene.
  - Fritézy sa musia počas používania nepretržite monitorovať: prehriaty olej môže vzplanúť.

# 1. Dôležité bezpečnostné pokyny a pokyny týkajúce sa životného prostredia

## 1.2 Súlad so smernicou o OEEZ a likvidácia vyradeného produktu:

Tento výrobok je v súlade so smernicou o OEEZ. (2012/19/EU). Tento výrobok je označený klasifikačným symbolom pre odpad z elektrických a elektronických zariadení (OEEZ).



Tento symbol znamená to, že tento výrobok sa na konci jeho životnosti nesmie likvidovať spolu s iným

domácim odpadom. Použité spotrebiče sa musia odovzdať na oficiálnych zberných miestach na recykláciu elektrických a elektronických zariadení. Obráťte sa na miestne úrady alebo na predajcu, u ktorého ste si výrobok zakúpili, a informujte sa o umiestnení zberných zariadení. Každá domácnosť zohráva dôležitú úlohu v obnove a recyklácii starých spotrebičov.

Správna likvidácia starého spotrebiča pomáha predísť možným negatívnym následkom pre životné prostredie a ľudské zdravie.

## 1.3 Súlad so smernicou RoHS

Výrobok, ktorý ste si zakúpili, vyhovuje smernici EÚ RoHS (2011/65/EÚ). Neobsahuje škodlivé ani zakázané materiály špecifikované v tej-

to smernici.

## 1.4 Informácie o balení



Obalové materiály tohto výrobku sú vyrobené z recyklovateľných materiálov v súlade s našimi Národnými environmentálnymi predpismi. Baliaci materiál nelikvidujte spolu s domovým odpadom alebo inými druhmi odpadu. Odnesť ich na zberné miesto baliaceho materiálu, určené miestnymi úradmi.

## 1.5 Ohrozenie života Riziko otrávenia



Obr. 1: Riziko otrávenia



Obr. 2: Riziko otrávenia

# 1. Dôležité bezpečnostné pokyny a pokyny týkajúce sa životného prostredia



## **NEBEZPEČENSTVO!** **Varovanie - riziko udusenía.**

Obalové materiály sú pre deti nebezpečné. Nedovoľte deťom hrať sa s obalovými materiálmi.



## **NEBEZPEČENSTVO!** **Varovanie - nebezpečenstvo smrti.**

Ohrozenie života otrávením z dôvodu opätovnej absorpcie spaľovaných plynov. Pri použití s výfukom vzduchu nepoužívajte spotrebič súčasne s objektmi, ktoré vyfukujú jedovaté plyny ako sporáky s cirkuláciou vzduchu, ktoré fungujú na základe plynu, oleja, dreva, uhlia, vaňové ohrievače, ohrievače vody atď., kým nie je zabezpečený dostatočný prísun vzduchu. Obr. 3

Objekty s cirkuláciou vzduchu (napr. sporáky spaľujúce plyn, olej, drevo alebo uhlie, vaňové ohrievač, ohrievače vody) získavajú vzduch z miesta inštalácie a vypúšťajú odpadový plyn prostredníctvom systému odpadového plynu (napr. dymovodom). Tento vzduch môže byť spotrebičom absorbovaný z kuchyne alebo zo susediacich miestností. Ak nie je dostatočný prísun vzduchu, vzniká podtlak. V takomto prípade sú jedovaté plyny späťne absorbované z dymovodov a odpadových plynových potrubí a vracajú sa späť do domácnosti. Obr. 1

Z tohto dôvodu by vždy mal byť zabezpečený dostatočný prísun čistého vzduchu. Obr. 2



## **VAROVANIE!** **Nebezpečenstvo požiaru!**

Olejová usadenina na filtri sa môže vznietiť. Olejový filter vyčistite aspoň raz za mesiac. Neprevádzkujte spotrebič bez olejového filtra. Filter s aktívnym uhlím vyčistite aspoň raz za tri mesiace.

Olejová usadenina na filtri sa môže vznietiť. V blízkosti spotrebiča nikdy nepracujte s otvoreným ohňom (napr. flambovanie). Inštalovať spotrebič v blízkosti zariadení, ktoré sú ohrievané pevným palivom (napr. drevo alebo uhlie) je povolené len v prípade, že sú vybavené uzavretým krytom, ktorý sa nedá odstrániť. Nemali by vznikaf žiadne iskry.

Horúce rastlinné oleje a tuky sa ľahko vznietia. Vždy dávajte pozor na horúce zeleninové oleje a tuky. Nepokúšajte sa oheň uhasiť vodou.

Vypnite varnú dosku. Opatrne prikryte plameň pokrievkou, ohňovzdornou dekou alebo podobným predmetom.

# 1. Dôležité bezpečnostné pokyny a pokyny týkajúce sa životného prostredia



Plynové varné dosky, na ktorých sa nenachádza žiadny kuchynský riad, produkujú počas prevádzky vysoké teplo. Vetracie zariadenie umiestnené na varnej doske môže byť kvôli tomu poškodené alebo zhorieť. Plynové variče spúšťajte len vtedy, keď sa na nich nachádza kuchynský riad.

Použitie viac ako jedného plynového horáku súčasne produkuje veľmi vysoké teplo. Vetracie zariadenie umiestnené na varnej doske môže byť kvôli tomu poškodené alebo zhorieť. Nepoužívajte dva plynové horáky pri nastavení na silný plameň po dobu viac ako 15 minút. Výkon horáku nad 5 kW (wok) sa rovná dvom plynovým horákom.



## **VAROVANIE!**

### **Nebezpečenstvo úrazu elektrickým prúdom!**

Chybný spotrebič môže spôsobiť úraz elektrickým prúdom. Nepoužívajte chybný spotrebič. Odpojte ho alebo vyberte poistku zo skrinky poistky. Zavolajte na centrum služieb zákazníkom.

Opravy, ktoré nie sú v súlade s pokynmi, predstavujú hrozbu. Opravy a výmeny chybných elektrických káblov by mal vykonávať iba technik zákazníckeho servisu vyškolený našou spoločnosťou. Ak je spotrebič chybný, odpojte ho alebo vyberte poistku zo skrinky poistky. Zavolajte na centrum služieb zákazníkom.

Vniknutie vody do spotrebiča môže spôsobiť úraz elektrickým prúdom. Na čistenie sa nesmú používať vysokotlakové ani parné čističe.

# 1. Dôležité bezpečnostné pokyny a pokyny týkajúce sa životného prostredia



V prípade opráv, ktoré neboli vykonané správne podľa pravidiel, odpojte poistku alebo odpojte spotrebič od siete. Opravy môžu byť vykonané len autorizovaným servisom alebo autorizovanou zručnou osobou.

V prípade opráv, ktoré neboli vykonané správne podľa pravidiel, odpojte poistku alebo odpojte spotrebič od siete. Opravy môžu byť vykonané len autorizovaným servisom alebo autorizovanou kvalifikovanou osobou.



## **NEBEZPEČENSTVO!** **Hrozí riziko popálenia** **alebo zásahu** **elektrickým prúdom!**

Počkajte, kým sa spotrebič ochladí, predtým než budete vykonávať čistenie alebo údržbu. Vyradte poistku alebo odpojte spotrebič od siete.

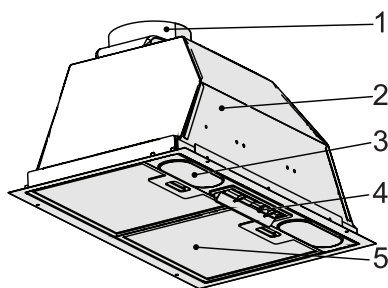
Pri vniknutí vlhkosti do elektroniky hrozí riziko poškodenia. Ovládače nikdy nečistite vlhkou látkou.

Povrch by sa mohol nevhodným čistením poškodiť. Povrchy z nehrdzavejúcej ocele čistite len v smere kefovania. Čistič na nehrdzavejúcu oceľ nepoužívajte na čistenie ovládačov.

Abrazívne a zrnité čistiace prostriedky môžu poškodiť povrch. Nikdy nepoužívajte abrazívne ani zrnité čistiace prostriedky.

## 2. Celkový vzhľad

### 2.1. Prehľad



1. Výfukový dymovod vzduchu
2. Telo
3. Osvetlenie
4. Ovládací panel
5. Hliníkový olejový filter

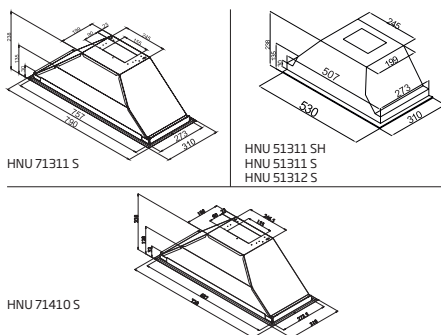
### 2.2. Technické údaje

**CE** Tento spotrebič zodpovedá nariadeniu EU 2014/30/EU (Smernica o elektromagnetickej kompatibilite) a 2014/35/EU (o zariadeniach používaných v rámci určitých limitov napätia (LVD))

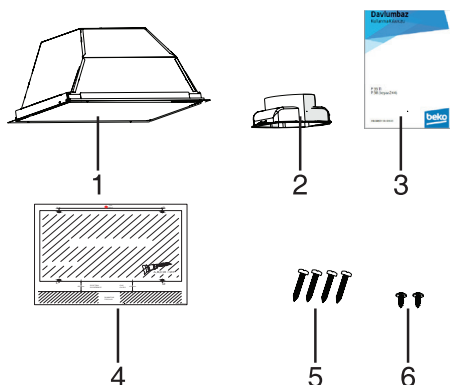
Napájacie napätie	220 - 240 V 50 Hz.
Výkon lampy (W)	2 x 3 W
Výkon motora (W)	1 x 185 W
Izolačná trieda motora	F
Izolačná trieda	TRIEDA I

Technické zmeny a zmeny vzhľadu sú vyhradené. Rozmery v technických náčrsoch sú uvádzané v mm. Tento obrázok slúži iba na informáciu o súčiastiach spotrebiča. Jednotlivé časti sa môžu líšiť podľa typu spotrebiča. Obrázky majú len reprezentatívny charakter.

### 2.3. Technický náčres



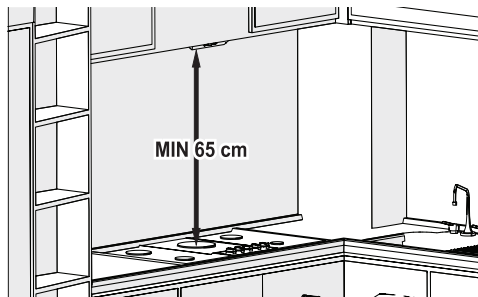
### 2.4. Obsah balenia



1. Digestor
2. Ø120 mm plastový dymovod
3. Používateľská príručka
4. Montážna šablóna
5. Skrutky 4 X 3,9 X 32 (určené na inštaláciu digestora)
6. Skrutka 3,5 x 9,5 (určená na inštaláciu plastového dymovodu)

## 3. Inštalácia a používanie spotrebiča

### 3.1. Umiestnenie spotrebiča



- Pred inštaláciou venujte pozornosť vzdialenosti medzi varnou doskou a digestorom. Táto vzdialenosť by mala byť 65 cm.
- Meranie by malo byť vykonané od povrchu roštu na plynovom sporáku a od skleneného povrchu na elektrických doskách.



Váš nový spotrebič má vysokú energetickú účinnosť. Tu nájdete niekoľko návodov, ako pri používaní spotrebiča ušetriť ešte viac energie, a požadované postupy likvidácie spotrebiča správnym spôsobom.

### 3.2. Veci potrebné pre úsporu energie:

- Zabezpečte dostatočný prívod vzduchu, aby digestor mohol fungovať účinne a pri nízkom prevádzkovom hluku počas varenia.
- Úroveň ventilátora nastavte podľa hustoty pary v kuchyni. Vysokú úroveň nastavte len vtedy, keď je to naozaj potrebné. Nižšie úrovne ventilátora znamenajú menšiu spotrebu energie.
- Ak sa v kuchyni očakáva viac pary, zvolte vyššiu úroveň ventilátora už vopred. Odstránenie výparov, ktoré sú v kuchyni už prítomné si vyžaduje oveľa dlhší čas prevádzky.
- Digestor vypnite, ak ho nepoužívate.

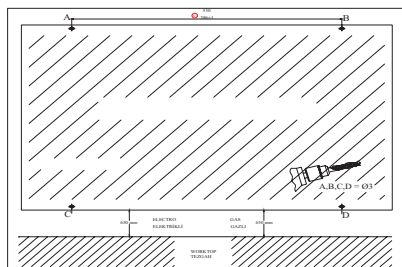
- Filtre čistite alebo vymieňajte v stanovených intervaloch. Takto zvýšite účinnosť ventilácie a znížite riziko požiaru.

### 3.3. Inštalácia spotrebiča



#### VÝSTRAHA

Pri vŕtaní a rezaní používajte ochranné rukavice a okuliare.

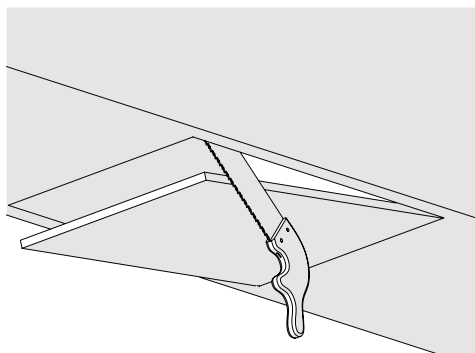


Obr. 6

### 3.4 Vŕtanie montážnych dier

- Na povrch, na ktorý chcete digestor pripevniť, priložte šablónu dodanú so spotrebičom.
- Vyvŕtajte diery označené na šablóne A, B, C, D použitím vŕtáku Ø4 mm. Obr. 6

Obr. 7



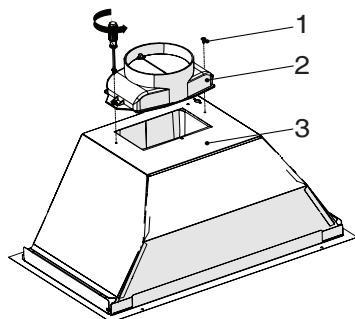
- Vyrežte spodnú plochu skrinky, do ktorej má byť



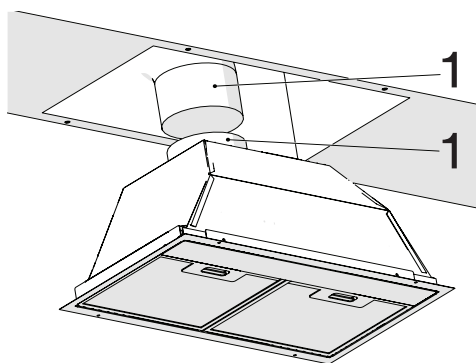
## 3. Inštalácia a používanie spotrebiča

digestor osadený podľa rozmerov uvedených v technickej nákrese (obr. 7).

Obr. 8



1. Skrutka 3,5 x 9,5.
  2. Plastový dymovod Ø 120 mm
  3. Obruč s kolíkmi
- Pripevnite plastový dymovod dodaný v balení k telu spotrebiča použitím 2 skrutiek 3,5 x 9,5. (Obr. 8) Nešúchajte po povrchu. Obr. 8



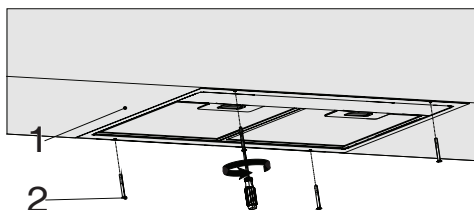
Obr. 9

1. Potrubie na odvádzanie vzduchu
  2. Výfukový dymovod digestora
- Pripevnite potrubie na odvádzanie vzduchu k výfukovému dymovodu pomocou spony (obr. 9).



### VÝSTRAHA

Keďže ohyby a kolená hliníkového potrubia spôsobujú zníženie sacieho výkonu, treba sa v maximálnej miere vyhnúť ich použitiu.

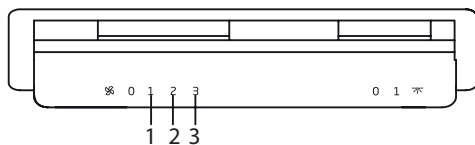


Obr. 10

1. Spodný pohľad na kuchynskú skrinku.
  2. Montážne skrutky digestora 4 X 3,9 X 32
- Vložte digestor do kuchynskej skrinky a pripevnite ho do 4 montážnych dier, ktoré ste predtým vyvrtali (obr. 10).

### 3.5 Použitie spotrebiča

#### 3.5.1 Použitie kyvného prepínača



- Prepnutím prepínača do polohy „0“ vypnete lampu.
- Prepnutím prepínača do polohy „1“ zapnete lampu.
- Prepnutím prepínača motora do polohy „0“ vypnete motor.
- Motor môžete používať na 1. minimálnom stupni rýchlosti a na 3. maximálnom stupni rýchlosti podľa hustoty pary z varenia.

## 3. Inštalácia a používanie spotrebiča

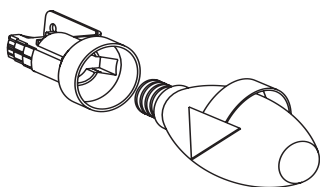
### 3.6 Výmena lampy

#### 3.6.1 Výmena žiarovky



#### VAROVANIE

Odpojte digestor od elektrickej siete. Lampy môžu spôsobiť popálenie rúk. Počkajte, kým ochladnú.



Obr. 11: Výmena žiarovky

- Odstráňte hliníkový kryt vložky. Vyberte nefunkčnú žiarovku a nahraďte ju novou s rovnakými hodnotami. Obr. 11



#### POZNÁMKA:

Ak sa spotrebič pokazí alebo poškodí, vyradte poistku alebo odpojte spotrebič od siete a zavolajte zástupcu autorizovaného servisu.



#### POZNÁMKA:

Ak je napájací kábel poškodený, musí ho vymeniť výrobca, jeho servisný pracovník alebo iná náležite kvalifikovaná osoba, aby sa predišlo riziku.



#### POZNÁMKA:

Vyradte poistku alebo odpojte spotrebič od siete aj v prípade prasknutia lampy. Chybné lampy vymeňte ihneď, aby ste predišli preťaženiu iných lúč (najprv počkajte, kým lampy ochladnú).

## 4. Čistenie a údržba

### **NEBEZPEČENSTVO!**

#### **Riziko poranenia.**

Pri montáži hrozí kvôli ostrým hranám riziko poranenia. Pri montáži spotrebiča vždy používajte ochranné rukavice.

Všetky bezpečnostné skrutky a kryty by mali byť nainštalované tak, ako je uvedené v používateľskej príručke, aby sa vyhol riziku spadnutia spotrebiča.

Predmety umiestnené na spotrebiči by mohli spadnúť. Na spotrebič neklad'te žiadne predmety.

LED svetlo spotrebiča je príliš jasné a môže spôsobiť poškodenie zraku (skupina nebezpečnosti 1). Nepozerajte sa priamo do LED svetla po dobu viac ako 100 sekúnd.



### **VÝSTRAHA**

Prístupné časti sa počas používania s vybavením na varenie môžu zahriať.



V prípade opráv, ktoré neboli vykonané správne podľa pravidiel, odpojte poistku alebo odpojte spotrebič od siete. Opravy môžu byť vykonané len autorizovaným servisom alebo autorizovanou zručnou osobou.

V prípade opráv, ktoré neboli vykonané správne podľa pravidiel, odpojte poistku alebo odpojte spotrebič od siete. Opravy môžu byť vykonané len autorizovaným servisom alebo autorizovanou kvalifikovanou osobou.

### **NEBEZPEČENSTVO!**

#### **Hrozí riziko popálenia alebo zásahu elektrickým prúdom!**

Počkajte, kým sa spotrebič ochladí, predtým než budete vykonávať čistenie alebo údržbu. Vyrad'te poistku alebo odpojte spotrebič od siete.

Pri vniknutí vlhkosti do elektroniky hrozí riziko poškodenia. Ovládače nikdy nečistite vlhkou látkou.

Povrch by sa mohol nevhodným čistením poškodiť. Povrchy z nehrdzavejúcej ocele čistite len v smere kefovania. Čistič na nehrdzavejúcu ocel' nepoužívajte na čistenie ovládačov.

Abrazívne a zrnité čistiace prostriedky môžu poškodiť povrch. Nikdy nepoužívajte abrazívne ani zrnité čistiace prostriedky.



## 4. Čistenie a údržba

### VÝSTRAHA

Riziko poškodenia z dôvodu korózie. Spotrebič používajte vždy počas varenia, aby ste predišli tvorbe kondenzácie. Kondenzácia môže spôsobiť poškodenie koróziou. Chybné lampy vymeňte ihneď, aby ste predišli preťaženiu iných lúčok. Pri vniknutí vlhkosti do elektroniky hrozí riziko poškodenia. Ovládače nikdy nečistite vlhkou látkou. Povrch by sa mohol nevhodným čistením poškodiť. Povrchy z nehrdzavejúcej ocele čistite len v smere kefovania. Čistíť na nehrdzavejúcu oceľ nepoužívajte na čistenie ovládačov. Abrazívne a zrnité čistiace prostriedky môžu poškodiť povrch. Nikdy nepoužívajte abrazívne ani zrnité čistiace prostriedky. Hrozí riziko poškodenia z dôvodu spätného prúdenia kondenzátov. Potrubie výpustu vzduchu nainštalujte so sklonom 1° mierne smerom dolu spotrebičom.



### VÝSTRAHA

Tento spotrebič môžete používať v režime odpadového vzduchu a v režime cirkulácie vzduchu.



### Režim odpadového vzduchu

Absorbovaný vzduch je čistený cez olejové filtre a vypustený systémom potrubí. (Obr. 3). Ak chcete nasmerovať odpadový vzduch do uzavretého dymového alebo plynového dymovodu, potrebujete získať povolenie autorizovaným odborníkom pre daný dymovod. Ak je odpadový vzduch odvádzaný cez obvodovú stenu mal by byť na to použitý teleskopický stenový rám.



Absorbovaný olej je čistený cez olejové filtre a cez aktívny uhlíkový filter a odvedený späť do kuchyne. Obr. 4

### POZNÁMKA!



Odpadový vzduch by nemal byť odvádzaný do dymového alebo plynového dymovodu ani do dymovodu používaného na vetranie priestorov, v ktorých sa nachádzajú zdroje tepla.



Pre elimináciu materiálov spôsobujúcich zápachy v režime cirkulácie vzduchu by ste mali mať nainštalovaný aktívny uhlíkový filter. O rôznych možnostiach použitia spotrebiča v režime cirkulácie vzduchu sa poraďte s autorizovaným dodávateľom. Potrebné príslušenstvo si môžete zakúpiť na predajných miestach, u zástupcov autorizovaného servisu alebo na online predajných centrách.

Spotrebič, ktorý ste si kúpili je vhodný na použitie s uhlíkovým filtrom. Pri montáži uhlíkového filtra:

1. Umiestnite uhlíkový filter do krytu. Obr. 15/1
2. Otočte uhlíkový filter v smere hodinových ručičiek, aby ste zabezpečili jeho pevné uchytenie. Obr. 15/2



Res.13



Res.14



Res.15



Ak uhlíkový filter nie je správne uchytený, môže vypadnúť a poškodiť spotrebič.

## 4. Čistenie a údržba



### VÝSTRAHA

Uhlíkové filtre nikdy neumývajte. Uhlíkové filtre uchovávajte mimo dosahu detí.



### VÝSTRAHA

Deti bez dozoru nesmú vykonávať čistenie ani používateľskú údržbu.

- Abrázívne a zrnité čistiace prostriedky môžu poškodiť povrch. Nikdy nepoužívajte abra- zívne a zrnité čistiace prostriedky. Čistiace a ochranné prostriedky vhodné pre váš spotre- bič si môžete zabezpečiť od vášho autorizova- ného servisu. Povrch spotrebiča a ovládače sú citlivé na poškrabanie.
- Tieto povrchy čistíte vlhkou látkou s tekutým saponátom na riad alebo jemným čističom na sklo. Zasušenú a lepkavú nečistotu zmäkčíte vlhkou látkou. Nezoškrabujte!
- Suché látky, špongie, ktoré by mohli spôsobiť poškrabanie, materiály vyžadujúce trenie, pie- sok alebo iné účinné čistiace prostriedky obsa- hujúce minerálnu vodu, kyseliny alebo chloridy nie sú vhodné.
- Povrchy z nehrdzavejúcej ocele čistíte len v smere brúsenia.
- Čistiace prostriedky na nehrdzavejúcu oceľ a vlhké látky nepoužívajte na čistenie ovláda- cích jednotiek. Čistenie kovových olejových fil- trov Použitie kovové olejové filtre zadržávajú vlhkosť produkovanú v kuchyni a olejové čias- točky obsiahnuté v pare. V prípade pravidel- ného používania (1 - 2 hodiny denne) čistíte kovové olejové filtre približne raz za 3 mesiace.
- Nepoužívajte vysoko účinné, kyselinové alebo korozívne čistiace prostriedky.
- Na čistenie kovových olejových filtrov vo vnútri spotrebiča použite vlhku látku.
- Olejové filtre môžete čistiť ručne alebo v umý- vačke riadu.
- Nepoužívajte sprejové čistiace prostriedky priamo na spotrebič.

- Na spotrebič nekladte ťažké dekoratívne a/ alebo horľavé predmety.

### 4.1. Umývanie v umývačke riadu

- Pri umývaní v umývačke sa môže objaviť mierna zmena farebnosti. Toto nemá vplyv na funkčnosť kovových olejových filtrov.
- Silne znečistené olejové filtre neumývajte spolu s riadom.
- Kovové olejové filtre umiestnite v umývačke riadu voľne. Kovové olejové filtre by mali byť v umývačke umiestnené bez zaseknutia.

### 4.2. Ručné umývanie

- Na odolné nečistoty môžete použiť špeciálny prostriedok na čistenie od oleja. Tento pro- striedok môžete získať od autorizovaného predajného centra.
- Nečistoty kovového olejového filtra zmäkčíte horúcou vodou s obsahom tekutého čistiaceho prostriedku na riad.
- Na čistenie použite kefu a počkajte na dosta- točný odtok tekutiny z kovového olejového fil- tra. Filter po čistení dôkladne opláchnite.
- Technické špecifikácie a táto používateľská príručka sa môžu zmeniť bez predchádzajú- ceho upozornenia.
- Tento spotrebič zodpovedá predpisom o od- pade z elektrických a elektronických zariadení.
- Tento digestor je určený na použitie nad var- nou doskou. Uistite sa, že predmetná stena dokáže uniesť hmotnosť digestora. Náklady na búranie, vyrezávanie a podobné postupy, ktoré by mohli byť potrebné vykonať na stene alebo skrinke pri inštalácii spotrebiča znáša zákazník. Tento digestor môže byť použitý so systémom potrubia, ktoré odvádza vzduch, alebo bez neho (s použitím uhlíkového fil- tra). Venujte pozornosť problémom, ktoré by sa mohli vyskytnúť pred inštaláciou alebo počas nej. Inštaláciu by mal vykonávať len zá- stupca autorizovaného servisu. Inštaláciu by mal vykonávať autorizovaný odborník, ktorý má poznatky z oblasti vetrania. Prevádzková životnosť spotrebiča určená Ministerstvom

## 4. Čistenie a údržba

priemyslu (doba dostupnosti náhradných častí potrebných pre funkčnosť tohto spotrebiča) je 10 (desať) rokov.

- Počas zaobchádzania so spotrebičom a pri jeho prevoze musí byť spotrebič uchovávaný v pôvodnom balení aby sa vyhlo poškodeniu jeho súčastí.
- Počas zaobchádzania so spotrebičom ho udržiujte v normálnej polohe.
- Spotrebič nezhadzujte a počas prepravy ho chráňte pred poškodením. Záruka sa nevzťahuje na chyby a poškodenia spôsobené počas prepravy po doručení spotrebiča zákazníčkovi.

## 5 Riešenie problémov

Riešenie problémov	Dôvod	Pomoc
Produkt nefunguje.	Skontrolujte poistky.	Vaša poistka môže byť vybitá, sfunkčnite ju.
Produkt nefunguje.	Skontrolujte elektrické pripojenie.	Sieťové napätie má byť medzi 220-240 V.
Produkt nefunguje.	Skontrolujte elektrické pripojenie.	Skontrolujte, či fungujú ostatné výrobky v kuchyni.
Lampa osvetlenia nefunguje.	Skontrolujte elektrické pripojenie.	Sieťové napätie má byť medzi 220-240 V.
Lampa osvetlenia nefunguje.	Skontrolujte spínač lampy.	Spínač lampy musí byť v polohe "zapnuté".
Lampa osvetlenia nefunguje.	Skontrolujte lampu.	Lampy produktu nesmú byť chybné.
Prívod vzduchu do výrobku je slabý.	Skontrolujte hliníkový filter.	Hliníkový filter na olej za obvyklého používania je potrebné vyčistiť aspoň raz za mesiac.
Prívod vzduchu do výrobku je slabý.	Skontrolujte kryt vzduchovodu.	Vzduchovod musí byť v polohe "zapnuté".
Prívod vzduchu do výrobku je slabý.	Skontrolujte uhlíkový filter.	Pri výrobkoch s uhlíkovými filterami filter obvykle vymieňajte každé 3 mesiace.

# Palun lugege esmalt kasutusjuhendit!

Hea klient!

Täname, et valisite Beko toote! Loodetavasti jääte selle nüüdisaegse tehnoloogia järgi valmistatud kvaliteetse toote tööga rahule. Selleks tutvuge enne toote kasutamist hoolikalt kasutusjuhendi ja kõigi kaasasolevate dokumentidega ja hoidke need alles. Kui annate toote üle uuele omanikule, pange kaasa ka kasutusjuhend. Järgige juhiseid, pöörates tähelepanu kasutusjuhendis toodud kogu teabele ja kõikidele hoiatustele.

Pidage meeles, et see kasutusjuhend võib kehtida ka teiste mudelite kohta. Mudelite vahelisi erinevusi on kasutusjuhendis selgelt kirjeldatud.

## Sümbolite tähendused

Käesoleva juhendi erinevates jaotistes kasutatakse järgmisi tähiseid:



Oluline teave ja kasulikud nõuanded.



**HOIATUS!** Hoiatused elule ja varale ohtlike olukordade kohta.



Hoiatus tulekahju ohu kohta.



Hoiatus elektrilöögi kohta.



Toode on valmistatud keskkonnasõbralikes nüüdisaegsetes tehastes loodust kahjustamata.



# 1 Olulised ohutus - ja keskkonnavalused juhised

## 1.1 Üldine ohutus

Olulised ohutusjuhised Lugege juhised hoolikalt läbi ja hoidke hilisemaks kasutamiseks alles

See jaotis sisaldab ohutusjuhiseid, mis aitavad teil vältida tuleohtu, elektrilööke, kokkupuutumist lekinud mikrolaineenergiaga, kehavigastusi ja varalist kahju. Nende juhiste eiramisel garantii tühistatakse.

- Beko tooted vastavad kehtivatele ohutusstandarditele, seepärast tuleb ohu vältimiseks lasta edasimüüjal, teeninduskeskusel, spetsialistil või volitatud hoolduskeskusel seade alati parandada või välja vahetada, kui seadmel või selle toitejuhtmel on kahjustusi. Puudulikud või oskamatud parandustööd võivad olla ohtlikud ja põhjustada kasutajale ohtu.
- Seade on mõeldud kasutamiseks kodumajapidamistes ja järgmistes sarnastes kohtades, nt:
  - töötajate köögid poodides, kontorites ja teistes töökohtades;
  - maamajapidamised;
  - klientidele hotellides ja teistes majutusasutustes;
  - hommikusöögiga ööbimiskohtades.

- Kasutage seadet ainult ettenähtud eesmärkidel ja selle juhendi kohaselt.
- Tootja ei vastuta väärust paigaldamisest või toote valest kasutamisest tingitud kahju eest.
- Seda seadet tohivad kasutada vähemalt 8-aastased lapsed ning piiratud füüsiliste, sensoorsete või vaimsete võimetega või kogemuste ja teadmisteta isikud, kui neid on juhendatud seadet ohutult kasutama või nad teevad seda järelevalve all ja mõistavad seadme kasutamisega seotud ohte.
- Lapsed ei tohi seadmega mängida. Lapsed ei tohi seadet puhastada ja hooldada ilma järelevalveta.
- Minimaalne kaugus keedualal olevate keedunõude restide ja õhupuhasti madalaima osa vahel peab olema vähemalt 65 cm.
- Kui gaasipliidi paigaldamise juhistes on märgitud ülalnimetatust suurem vahekaugus, tuleb seda arvesse võtta.
- Veenduge, et teie toiteallikas vastaks seadme andmesildil toodud andmetele.
- Ärge kasutage seadet, kui toitejuhe või seade on kahjustatud.
- Toitejuhtme kahjustumise välti-

# 1 Olulised ohutus - ja keskkonnaalased juhised

miseks hoiduge selle pigistamisest, murdmisest või hõõrumisest vastu teravaid servi. Hoidke toitejuhe eemal kuumadest pindadest ja lahtisest tulest.

- Kasutage seadet ainult koos maandatud pistikupesaga.

**HOIATUS!** Ärge ühendage seadet toitevõrku enne, kui paigaldus on täielikult lõpetatud.

- Paigutage seade nii, et pistikule oleks alati võimalik ligi pääseda.
- Ärge puudutage lampe, kui need on pikemat aega põlenud. Võite oma käsi põletada, sest lambid on kuumad.
- Järgige pädevate asutuste eeskirju õhu väljatõmbe kohta (see hoiatus ei kehti ilma lõõrita kasutamise korral).
- Lülitage seade tööle kohe pärast poti, panni jms asetamist pliidile. Muidu võivad seadme osad kuumuse tõttu deformeeruda.
- Enne poti, panni vms võtmist pliidilt lülitage see välja.
- Ärge jätke kuuma õli pliidile. Kuuma õliga pannid võivad süttida.
- Pöörake tähelepanu kardinatele ja katetele, sest näiteks friikartulite valmistamisel võib õli põlema minna.

- Rasvafiltrit tuleb vahetada vähemalt kord kuus. Sööfiltrit tuleb vahetada vähemalt kord kolme kuu jooksul.
- Toodet tuleb puhastada kasutusjuhendi kohaselt. Kui seadet ei puhastata kasutusjuhendi kohaselt, tekib süttimisohu.
- Ärge kasutage originaalfiltri asemel materjale, mis ei ole tulekindlad.
- Kasutage ainult originaal- või valmistaja soovitatud osi.
- Ärge kasutage toodet ilma filtrita ja ärge eemaldage filtreid, kui toode töötab.
- Tule süttimise korral katkestage toote ja küpsetusseadme toide.
- Tule süttimise korral katke leek, aga ärge mingil juhul kasutage kustutamiseks vett.
- Enne igat puhastamist ja ajal, kui seadet ei kasutata, eemaldage toitejuhe vooluvõrgust.
- Negatiivne surve keskkonnas ei tohi ületada 4 Pa (4 × 10 baari), kui kasutate ühel ajal elektripliidi õhupuhastit ja seadmeid, millel on muu toiteallikas kui elekter.
- Seadme kasutuskeskkonnas peab õli- või gaasiseadmete, nagu

# 1 Olulised ohutus - ja keskkonnaalased juhised

ruumi soojendi väljatõmme olema täielikult isoleeritud või seade peab olema hermeetilist tüüpi.

- Kasutage lõõri ühendamiseks 120-150 mm läbimõõduga torusid. Toruühendus peab olema võimalikult lühike ja sellel peab olema minimaalselt torupõlvi.

**Lämbumisoht!** Hoidke pakkematerjalid väljaspool laste käeulatus.

**ETTEVAATUST!** Seadme ligipääsetavad osad võivad koos küpsetusseadmetega kasutamisel kuumeneda.

- Toote äratõmmet ei tohi ühendada õhukanalitega, milles on suitsu.
- Tagage ruumi piisav ventilatsioon, kui elektripliidi õhupuhastit kasutatakse koos seadmetega, mis kasutavad gaasi või muid kütuseid (see ei kehti seadmete kohta, mis tõmbavad ainult õhku ruumi tagasi).
- Tootele asetatud esemed võivad kukkuda. Ärge asetage tootele esemeid.
- Ärge flambeerige toote all.  
**HOIATUS!** Enne õhupuhasti paigaldamist eemaldage kaitsekiled.
- Töötava õhupuhasti all ei tohi kunagi olla lahtist kõrget leeki.
- Fritüüre tuleb küpsetamise ajal pi-

devalt jälgida: ülekuumenenud õli võib leegiga põlema süttida.

## 1.2 WEEE-direktiivi täitmine ja kasutuskõlbmatute toodete kõrvaldamine

Toode vastab Euroopa Liidu elektri- ja elektroonikaseadmete jäätmete (WEEE) direktiivile (2012/19/EU). Sellel tootel on klassifitseerimise sümbol elektri- ja elektroonikaseadmete (WEEE) kohta.



See sümbol näitab, et seda toodet ei tohi pärast kasutuse lõppu kõrvaldada koos muu olmeprügiga.

Kasutatud seade tuleb saata

elektri- ja elektroonikaseadmete ametlikku kogumispunkti. Selliste kogumissüsteemide leidmiseks pöörduge kohaliku omavalitsuse või toote müünud jaemüüja poole. Igal majapidamisel on oluline osa vana seadme taastamisel ja ringlusse andmisel. Kasutatud seadme korrektne käitlemine aitab ära hoida negatiivseid tagajärgi keskkonnale ja tervisele.

## 1.3 Vastavus RoHS-direktiivile

Toode vastab Euroopa Liidu RoHS-direktiivile (2011/65/EL). See ei sisalda direktiivis mainitud kahjulikke ja keelatud materjale.

# 1 Olulised ohutus - ja keskkonnaalased juhised

## 1.4 Teave pakendi kohta



Toote pakkematerjalid on valmistatud ringluse võetavatest materjalidest riiklike keskkonnanäeskirjade kohaselt. Ärge visake pakkematerjale tavalise olmeprügi või muude jäätmete hulka. Viige need kohaliku omavalitsuse määratud pakendikogumispunkti.

## 1.5 Oht elule Mürgistusohu



Pilt. 1: Mürgistus oht



Pilt. 2: Mürgistus oht



### **OHT!** **Hoiatus! Lämmumisoht!**

Pakkematerjalid on lastele ohtlikud. Ärge lubage lastel pakkematerjalidega mängida.



### **OHT!** **Hoiatus! Eluohutlik!**

Hajutatud põlemisgaasid võivad põhjustada mürgistuse. Kasutamiseks koos õhu väljalaskeavaga ärge kasutage seadet samaaegselt seadmetega, mis väljutavad mürgiseid gaase (nagu õhuringlusega ahjud, mis töötavad gaasi, õli, puidu või kivisöega, vanniahjud, veesoojendid jms), välja arvatud juhul, kui on tagatud piisav õhuvool. Pilt 3

Õhuringlusega seadmed (nt seadmed, mida kasutatakse gaasi, õli, puidu või kivisöega, vanniahjud, veesoojendid) tõmbavad paigalduskohast õhku välja ja väljastavad heitgaase läbi heitgaasisüsteemi (nt lõõr). Seade tõmbab kasutamise ajal õhku sisse köögist ja kõrvalruumidest. Kui õhku pole piisavalt, võib tekkida vaakum. Sel juhul tõmmatakse mürgised gaasid lõõrist ja heitgaasitorust tagasi teie kodumajapidamise ruumidesse. Pilt 1

Seetõttu tuleb alati tagada piisav puhta õhu juurdevool. Pilt 2

# 1 Olulised ohutus - ja keskkonnavalused juhised

## HOIATUS! Tulekahju oht!

Õlifiltrisse kogunenud õli võib süttida. Puhastage õlifiltrit vähemalt kord kuus. Ärge kasutage seadet ilma õlifiltrita. Puhastage söefiltrit vähemalt iga kolme kuu tagant.

Õlifiltrisse kogunenud õli võib süttida. Ärge kasutage seadme lähedal lahtist tuld (nt flambeerimine vms). Seadme tohib paigaldada ainult tahke küttega (nt puit või süsi) küttekeha lähedale, tingimusel, et sellel on olemas suletav kate, mida ei saa eemaldada. Küttekeha ei tohi põhjustada sädemete teket.

Köögiviljade praadimisel õlis või rasvas võib kergesti tekkida tulekahju. Sel juhul tuleb olla eriti tähelepanelik. Ärge proovige tulekahju veega kustutada.

Lülitage pliit välja. Katke leegid ettevaatlikult kaane, tulekustutusteki või sarnase esemega.



Gaasipliidid, millel ei ole keedunõusid, lähuvad töötamise ajal väga kuumaks. Seetõttu võib pliidi kohale paigaldatud ventilatsiooniseade saada kahjustada või põlema minna. Kasutage gaasipliiti ainult koos keedunõudega.

Üheaegselt rohkem kui ühe gaasipliidi kasutamise korral tekib suur kuumus. Seetõttu võib pliidi kohale paigaldatud ventilatsiooniseade saada kahjustada või põlema minna. Ärge kasutage üheaegselt kaht gaasipliiti suurel leegiseadistusel kauem kui 15 minutit. Üle 5 kW võimsusega põleti (Wok) on võrdväärne kahe gaasitaselega põletiga.

## HOIATUS! Elektrilöögi oht!

Rikkis seade võib põhjustada elektrilöögi. Ärge kasutage rikkis seadet. Tõmmake selle pistik pesast välja või lülitage kaitse kaitsmekapist välja. Helistage klienditeenindusse.

Juhiseid eirates tehtud remont on ohtlik. Seadet tohib remontida ja katkiseid elektrijuhtmeid tohib vahetada ainult meie ettevõtte klienditeeninduskeskuste tehnik. Tõmmake seadme pistik pesast välja või lülitage kaitse kaitsmekapist välja. Helistage klienditeenindusse.

Seadmesse sattuv vesi võib põhjustada elektrilöögi. Ärge kasutage kõrgsurve- või aurupuhastusseadmeid.



# 1 Olulised ohutus - ja keskkonnavalused juhised



## **OHT! Vigastusoht!**

Paigaldamise ajal võivad teravad servad põhjustada vigastuse. Kasutage seadme paigaldamise ajal alati kaitsekindaid.

Kõik transpordipoldid ja turvakatted tuleb paigaldada vastavalt kasutusjuhendis toodud juhistele, et vältida seadme ümberkukkumist.

Seadmele asetatud esemed võivad alla kukkuda. Ärge asetage midagi seadme peale.

LED-tuli on väga ere ja võib kahjustada silmi (ohuklass 1). Ärge vaadake otse sisselülitatud LED-tule poole kauem kui 100 sekundit.



## **ETTEVAATUST!**

Seadme juurdepääsetavad osad võivad pliidi kasutamise ajal kuumaks minna.



Kui seadme remontimisel ei ole järgitud kehtivaid juhiseid, lülitage kaitse välja või tõmmake seadme pistik pesast välja. Seadet tohib remontida ainult volitatud klientideeninduses või volitatud edasimüüjate juures.

Kui seadme remontimisel ei ole järgitud kehtivaid juhiseid, lülitage kaitse välja või tõmmake seadme pistik pesast välja. Seadet tohib remontida ainult volitatud klientideeninduses või volitatud edasimüüjate juures.



## **OHT! Põletusoht! Elektrilöögi oht!**

Enne puhastamist ja hooldustöid laske seadmel jahtuda. Lülitage kaitse välja või tõmmake seadme pistik pesast välja.

Niiskuse sattumisel seadme elektroonilistesse komponentidesse võib seade saada kahjustada. Ärge puhastage juhtnuppe niiske lapiga!

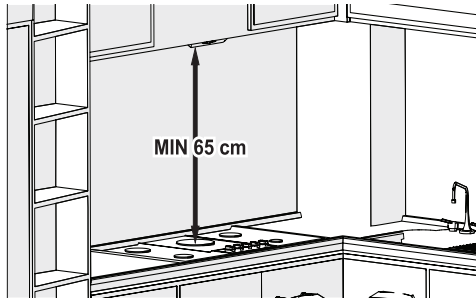
Valest puhastamisest tulenev pinda kahjustamise oht. Puhastage roostevabast terasest pindu ainult harjamise suunas. Ärge kasutage roostevabast terasest pindade puhastamiseks mõeldud vahendit juhtnuppude puhastamiseks.

Abrasiivsed või kummist puhastusvahendid võivad pinda kahjustada. Ärge kunagi kasutage abrasiivseid või kummist puhastusvahendeid.



## 3 Seadme paigaldamine ja kasutamine

### 3.1 Seadme paigutamine



- Enne paigaldamist tuleks tähelepanu pöörata pliidi ja õhupuhasti vahemaale. See peaks olema 65 cm.
- Mõõtmine tuleb teha gaaspliitide grillipinnalt ja elektripliitide klaaspinnalt.



Seade on eriti energiasäästlik. Siit leiame mõned nõuanded, kuidas seadme kasutamise ajal rohkem energiat säästa ja kuidas seadet nõuetekohaselt kasutusele kõrvaldada.

### 3.2 Energia säästmise;

- Tagage piisav õhu sissevõtmine, et seade töötaks tulemuslikult ja vähese müraga.
- Seadistage ventilaatori tase vastavalt aurutihedusele köögis. Kasutage kõige kõrgemat taset ainult vajaduse korral. Madalama ventilaatoritase korral on energiakulu väiksem.
- Kui eeldatakse, et kööki tekib tihe suits, valige juba eelnevalt kõrgem ventilaatoritase. Köögis juba levinud suitsu eemaldamiseks on vaja õhupuhasti pikemaks ajaks tööle lülitada.
- Kui te seadet enam ei kasuta, siis lülitage see välja.
- Puhastage või vahetage filtrit kasutusjuhendis toodud vahemiku tagant, sest nii on ventilatsi-

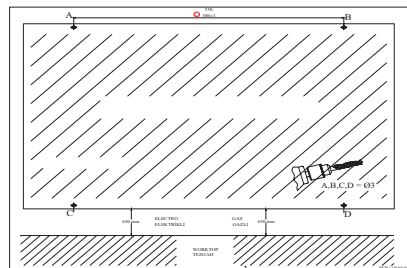
oon tulemuslikum ja tulekahju oht kõrvaldatud.

### 3.3 Seadme paigaldamine



#### ETTEVAATUST!

Kasutage aukude puurimise ja lõikamistööde ajal kaitsekindaid ja -prille.

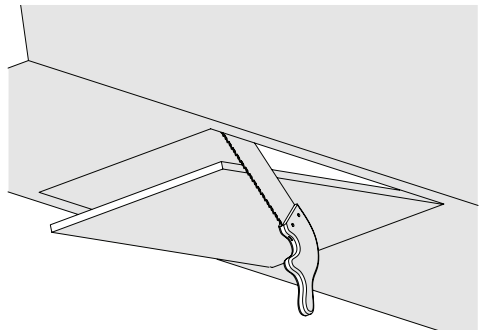


Pilt 6

### 3.4 Kinnitusavade puurimine

- Asetage seadmega kaasas olev paigaldusšabloon pinnale, kuhu katsete seadme paigaldada.
- Puurige paigaldusšablooni A, B, C ja D tähistuste juurde augud, kasutades selleks Ø4 mm puuriotsakut. Pilt 6

Pilt 7

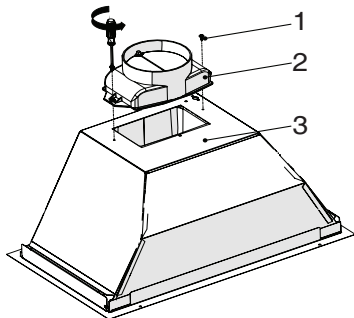




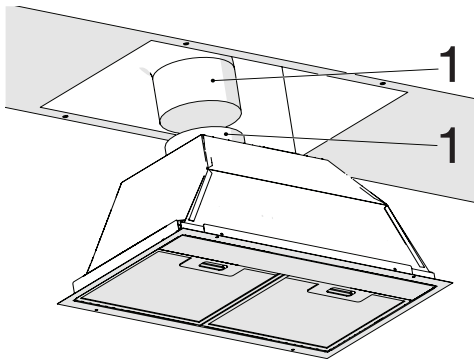
## 3 Seadme paigaldamine ja kasutamine

- Lõigake köögikapi alumine pind, kuhu õhupuhasti paigaldatakse, tehnilisel joonisel täpsustatud mõõtmetesse (pilt 7).

Pilt 8



1. 3,5 x 9,5 kruvi
  2. Ø 120 mm plastlõõr
  3. KorpusKlapp Varras Pesa
- Kinnitage pakendis olev plastlõõr seadme korpuse külge, kasutades selleks kaht kruvi (3,5 x 9,5). (Pilt 8) Ärge hõõruge seda vastu pinda. Pilt 8



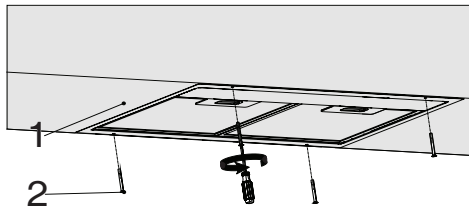
Pilt 9

1. Õhu väljatõmbetoru
  2. Õhupuhasti õhu väljatõmbelõõr
- Kinnitage õhu väljatõmbetoru õhu väljatõmbelõõri külge, kasutades selleks klambrit (pilt 9).

### ETTEVAATUST!



Alumiiniumtoru pöörangud ja põlved põhjustavad õhu väljatõmbevõimsuse vähenemise ning seetõttu tuleb nende kasutamist vältida.

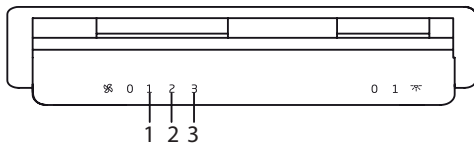


Pilt 10

1. Köögikapi altvaade
  2. 4 X 3,9 X 32 õhupuhasti paigaldamise kruvi
- Asetage õhupuhasti köögikapi ja kinnitage see nelja eelnevalt puuritud kinnitusavasse (pilt 10).

## 3.5 Seadme kasutamine

### 3.5.1 Päästiklüliti kasutamine



- Lambi väljalülitamiseks viige lambi lüliti asendisse '0'.
- Lambi sisselülitamiseks viige lambi lüliti asendisse '1'.
- Mootori väljalülitamiseks viige mootori lüliti asendisse '0'.
- Mootorit saab kasutada kiirusel 1-3 vastavalt köögis oleva auru hulgale.

## 3 Seadme paigaldamine ja kasutamine

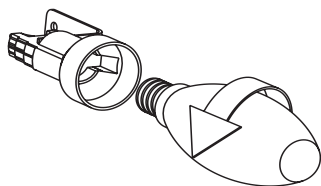
### 3.6 Lambi vahetamine

#### 3.6.1 Lambipirni vahetamine



#### HOIATUS!

Tõmmake seadme pistik pesast välja. Kuumad lambid võivad käsi põletada, seega oodake, kuni lambid on jahtunud.



Pilt 11: Lambipirni vahetamine

- Eemaldage alumiiniumist filtrikassett. Eemaldage rikkis lamp ja asendage see samaväärsega. Pilt 11



#### MÄRKUS:

Kui seade läheb rikki või saab kahjustada, lülitage kaitse välja või tõmmake pistik pesast välja ja helistage klienditeenindusse.



#### MÄRKUS:

Kahjustada saanud toitejuhtme peab ohu vältimiseks välja vahetama tootja, klienditeeninduskeskus või vastava väljaõppe saanud tehnik.



#### MÄRKUS:

Kui seadme lambid on defektsed, lülitage kaitse välja või tõmmake pistik pesast välja. Vahetage rikkis lambid kohe, et vältida ülejäänud lampide ülekuumenemist (enne vahetamist oodake, kuni lambid on jahtunud).

## 4 Puhastamine ja hooldustööd

### ETTEVAATUST!

Roostekahjustuse oht. Kondensatsioonivee tekkimise vältimiseks lülitage seade alati enne toiduvalmistamist tööle. Kondensatsioonivesi võib põhjustada roostekahjustusi. Vahetage rikkis lambid kohe, et vältida ülejäänud lampide ülekuumenemist. Niiskuse sattumisel seadme elektroonilistesse komponentidesse võib seade saada kahjustada. Ärge puhastage juhtnuppe niiske lapiga! Valest puhastamisest tulenev pinna kahjustamise oht. Puhastage roostevabast terasest pindu ainult harjamise suunas. Ärge kasutage roostevabast terasest pindade puhastamiseks mõeldud vahendit juhtnuppude puhastamiseks. Abrasiivsed või kummist puhastusvahendid võivad pinda kahjustada. Ärge kunagi kasutage abrasiivseid või kummist puhastusvahendeid. Kondensatsioonivee tagasivool võib seadet kahjustada. Paigaldage õhu väljalaskelõõr 1° kallakuga, veldi seadme poole kaldu.



### ETTEVAATUST!

Seadet saab kasutada õhu väljatõmberežiimis ja õhuringlusrežiimis.



### Õhu väljatõmberežiim

Seadmesse tõmmatud õhk puhastatakse õlifiltrites ja väljutatakse torude kaudu. (Pilt 3) Kui soovite, et heitõhk tõmmataks suitsu- või heitgaasi lõõri, peate selleks saama volitatud lõõripuhastusspetsialisti loa. Heitõhu suunamisel läbi välisseina tuleb kasutada teleskoopseinaseadet.



Seadmesse tõmmatud õhk puhastatakse õlifiltrites ja aktiivsöefiltris ning suunatakse kööki tagasi. Pilt 4

### MÄRKUS!

Heitõhku ei tohiks tõmmata suitsu- ega heitgaasi lõõri ega lõõri, mida kasutatakse muude ruumide ventileerimiseks, kuhu on paigaldatud küttekehad.



Lõhna tekitavate materjalide neutraliseerimiseks õhuringlusrežiimis peaksite paigaldama aktiivsöefiltri. Pidage nõu volitatud edasimüüjaga, et saada teada erinevate võimaluste kohta seadme kasutamiseks õhuringlusrežiimis. Vajalikke tarvikuid saate osta kauplustest, volitatud teenindusosatajate käest või veebipoest.



Seade sobib kasutamiseks süsinikfiltriga. Süsinikfiltri paigaldamiseks;

- 1- Asetage süsinikfilter oma korpusesse. Pilt 15/1
- 2- Keerake süsinikfiltrit päripäeva veendumaks, et see on tihedalt sisestatud. Pilt 15/2



Res.13



Res.14



Res.15



Valesti paigaldatud süsinikfilter võib alla kukkuda ja seadet kahjustada.

### ETTEVAATUST!

Süsinikfiltreid ei tohi pesta. Hoidke süsinikfiltrid lastele kättesaamatult.



## 4 Puhastamine ja hooldustööd



### ETTEVAATUST!

Lapsed tohivad seadet puhastada ja hooldustööd teha ainult järelevalve all.

- Abrasiivsed või kummist puhastusvahendid võivad pinda kahjustada. Ärge kunagi kasutage abrasiivseid või kummist puhastusvahendeid. Ostke sobivaid puhastusvahendeid ja kaitsematerjale vaid volitatud klienditeeninduskeskustest. Seadme ja juhtnuppude pind on kriimustustele tundlik.
- Puhastage seadme pealispindu pehme niiske lapi, nõudepesuvahendi või õrnatoimelise aknapuhastusvahendiga. Kuivanud mustust saab eemaldada niiske lapiga pehmendades. Ärge kriimustage pinda!
- Ei sobi kuivad lapid, kriimustavad nuustikud, hõõrutavad materjalid, liiv ja muud efektiivsed mineraalvett, hapet või kloori sisaldavad puhastusvahendid.
- Puhastage roostevabast terasest pindu ainult lihvimise suunas.
- Ärge kasutage roostevaba terase puhastamiseks mõeldud vahendit või märgi lappe juhtnuppude puhastamiseks. Metallist õlifiltri puhastamine Kasutatud metallist õlifiltrid on endasse salvestanud köögis tekkinud niiskuse ja aurus olevad õliosakesed. Regulaarse kasutamise korral (1-2 tundi päevas), puhastage metallist õlifiltreid iga kolme kuu tagant.
- Ärge kasutage kõrvalmõjudega, happelisi ega korrosiivseid puhastusvahendeid.
- Metallist õlifiltri puhastamiseks kasutage niisket lappi, et puhastada metallist õlifiltri kinnituseadised seadme sees.
- Metallist õlifiltreid võib pesta nõudepesumasinas või käsitsi.
- Ärge kandke pihustatavaid puhastusvahendeid vahetult seadmele.
- Ärge asetage seadme peale tuleohtlikke ega raskeid dekoratiivsemeid.

### 4.1 Pesemine nõudepesumasinas

- Nõudepesumasinas pesemise korral võib seadme värv veidi muutuda. See ei mõjuta metallist õlifiltri töömoodusi.

- Ärge peske väga saastunud metallist õlifiltreid koos söögiriistadega.
- Asetage metallist õlifiltrid nõudepesumasinas nii, et need saavad vabalt liikuda. Metallist õlifiltrid tuleb asetada nõudepesumasinas nii, et need ei kiiluks kinni.

### 4.2 Käsitsipesu

- Rasketieemaldatava mustuse korral kasutage spetsiaalset õlieemaldusvahendit. Sellist vahendit saate osta volitatud müügikohast.
- Pehmendage metallist õlifiltrit sooja vees, millele on lisatud nõudepesuvahendit.
- Kasutage puhastamiseks harja ja oodake, kuni metallist õlifiltri olev vedelik on ära nõrgunud. Loputage filtreid pärast puhastamist hoolikalt.
- Tehnilisi spetsifikatsioone ja seda kasutusjuhendit võidakse etteteatamata muuta.
- Seade vastab elektri- ja elektroonikaseadmete jäätmete direktiivi järelevalvet käsitlevatele eeskirjadele.
- See õhupuhasi on mõeldud kasutamiseks pliidi kohal. Veenduge, et sein talub seadme kaalu. Seina või köögikapi purustamise, lõikamise ja sarnaste toimingutega seonduvad kulud peaks katma tarbija. Köögiõhupuhasi võib kasutada lõõrisüsteemiga, mis tõmbab õhu välja, või ilma lõõrita (paigaldades süsinikfiltri). Pöörake tähelepanu küsimustele, mis võivad tekkida enne paigaldamist ja paigaldamise ajal. Seadme peab paigaldama volitatud klienditeenindaja. Sellisel klienditeenindajal on ka teadmised ventilatsioonisüsteemist. Seadme eluiga on 10 (kümme) aastat (selle aja jooksul on saadaval seadme tööks vajalikud varuosad).
- Kahjustuste vältimiseks tuleb seadet hoida transportimise ajal originaalpakendis.
- Hoidke seadet käsitlemise ajal tavaasendis.
- Ärge laske seadmel maha kukkuda ja kaitske seda transportimise ajal niiskuse eest. Garantii ei kata rikkeid ega kahjustusi, mis on tekkinud seadme transportimise ajal kliendini.

## 5 Tõrkeotsing

Tõrkeotsing	Põhjus	Abi
Toode ei tööta	Kontrollige kaitselüliti.	Kaitselüliti võib olla väljas, lülitage see sisse.
Toode ei tööta	Kontrollige elektriühendust.	Võrgupinge peaks olema vahemikus 220–240 V.
Toode ei tööta	Kontrollige elektriühendust.	Kontrollige, kas muud tooted Teie köögis töötavad või mitte.
Valgustus ei tööta.	Kontrollige elektriühendust.	Võrgupinge peaks olema vahemikus 220–240 V.
Valgustus ei tööta.	Kontrollige valgustuse lüliti.	Lüliti peaks olema asendis „sees”.
Valgustus ei tööta.	Kontrollige lampe.	Toote lambid ei tohiks olla rikkis.
Toote õhuvõtt on halb.	Kontrollige alumiiniumifiltrit.	Alumiiniumist õlifiltrit tuleks normaaltingimustes puhastada vähemalt kord kuus.
Toote õhuvõtt on halb.	Kontrollige õhuava lõõri.	Lõõr peaks olema asendis „sees”.
Toote õhuvõtt on halb.	Kontrollige söefiltrit.	Söefiltritega toodete puhul tuleks filtrit tavaliselt vahetada iga 3 kuu tagant.

# Lūdzu, vispirms izlasiet šo lietotāja rokasgrāmatu.

Godātais klient!

Paldies, ka izvēlējāties šo "Beko" ierīci. Mēs ceram, ka šis produkts, kas ražots ar jaunāko augstas kvalitātes tehnoloģiju, jums sniegs vislabākos rezultātus. Tādēļ, pirms sākat to lietot, rūpīgi izlasiet visu lietotāja rokasgrāmatu un pārējo dokumentāciju un saglabājiet to lietošanai turpmāk. Ja jūs nododat izstrādājumu citai personai, kopā ar to nododiet arī šo lietotāja rokasgrāmatu. Rīkojieties atbilstoši norādījumiem, ņemot vērā visu lietotāja rokasgrāmatā sniegto informāciju un brīdinājumus.

Atcerieties, ka lietotāja rokasgrāmata var attiekties arī uz citiem modeļiem. Rokasgrāmatā ir skaidri aprakstītas modeļu atšķirības.

## Simbolu nozīme

Dažādās šīs rokasgrāmatas nodaļās tiek izmantoti šie simboli:



Svarīga informācija un noderīgi padomi par lietošanu.



**UZMANĪBU:** Brīdinājumi par bīstamām situācijām, kas saistītas ar apdraudējumu dzīvībai un īpašumam.



Brīdinājums par ugunsbīstamību.



Brīdinājums par elektrošoku.



Šis izstrādājums ir ražots videi draudzīgās, mēsdienu ražotnēs, neradot kaitējumu dabai.

# 1 Svarīgi drošības un vides norādījumi

## 1.1. Vispārēja drošība

Svarīgi drošības norādījumi – rūpīgi izlasiet un uzglabājiet, lai lietu nākotnē Šajā nodaļā doti drošības norādījumi, kas palīdzēs izvairīties no ugunsgrēka, elektrošoka, saskares ar mikroviļņu starojuma noplūdi, savainojumu un īpašuma bojājumu riska. Šo norādījumu neievērošana anulēs preces garantiju.

- „Beko” izstrādājumi atbilst piemērojamajiem drošības standartiem; tāpēc, lai novērstu jebkādas draudus, ierīces vai elektrības vada bojājuma gadījumā remonta vai aizvietošanas darbs ir jāveic izplatītājam, servisa centram vai speciālistam un apstiprinātam pakalpojumu sniedzējam. Kļūdainis vai nekvalificēts remonts var būt bīstams un lietotājam riskants.
- Šo ierīci ir paredzēts izmantot mājāsaimniecībā un tai līdzīgos apstākļos, piemēram:
  - darbinieku virtuvēs veikalos, birojos un citos darba vides apstākļos;
  - lauku mājās;
  - viesnīcas viesu vajadzībām un citās dzīvojamās vidēs;
  - B&B tipa apstākļos.
- Lietojiet ierīci tikai tai šajā rokas-

grāmatā aprakstītajam nolūkam.

- Ražotājs nav atbildīgs par zaudējumiem, kas radušies nepareizas produkta uzstādīšanas vai nepareizas lietošanas dēļ.
- Šo ierīci drīkst lietot bērni no 8 gadu vecuma un personas ar ierobežotām fiziskām, uztveres vai garīgajām spējām, kā arī personas bez atbilstošas pieredzes un zināšanām, pie nosacījuma, ka tiek uzraudzītas vai informētas par ierīces drošu lietošanu un ar to saistītajiem riskiem.
- Neļaujiet bērniem spēlēt ar ierīci. Bērni nedrīkst bez uzraudzības veikt ierīces apkopi un tīrīt to.
- Minimālajam attālumam starp plīts gatavošanas trauku atbalsta virsmu un izstrādājuma zemāko daļu jābūt vismaz 65 cm.
- Ja gāzes plīts uzstādīšanas norādījumos ir norādīts lielāks attālums, tas ir jāņem vērā.
- Pārliedzinieties, vai jūsu elektrības padeve atbilst informācijai, kas sniegta ierīces nominālo parametru plāksnītē.
- Nekādā gadījumā neizmantojiet ierīci, ja elektrības vads vai pati ierīce ir bojāta.
- Lai nepieļautu bojājumus, ne-

# 1 Svarīgi drošības un vides norādījumi

spiediet, nelokiet un nerīvējiet elektrības vadu pret asām malām. Pārliedzieties, ka elektrības vads neatrodas tuvu karstām virsmām vai atklātai liesmai.

- Izmantojiet ierīci tikai ar saņemtu kontaktligzdu.

**UZMANĪBU:** Nepievienojiet ierīci elektrotīklam, kamēr nav pabeigti uzstādīšanas darbi.

- Novietojiet ierīci tā, lai kontaktdakša būtu vienmēr pieejama.
- Nepieskarieties lampām, ja tās ir degušas ilgu laiku. Tās var apdedzināt jūsu rokas, jo ir ļoti karstas.
- Rīkojieties atbilstoši kompetento iestāžu noteikumiem par izplūdes gaisa izvadīšanu (šis brīdinājums neattiecas, ja ierīci izmanto bez dūmvada).
- Ierīci iedarbiniet pēc tam, kad uz plīts uzlikts katliņš, panna utt. Citādi lielais karstums var deformēt dažas jūsu ierīces daļas.
- Pirms no plīts noņemat katlu, pannu utt., izslēdziet plīti.
- Neatstājiet uz plīts karstu eļļu. Pannas ar karstu eļļu var izraisīt pašaiizdeģšanu.
- Uzmaniet aizkarus un pārsegus, jo eļļa ēdiena, piemēram, eļļā vārītu kartupeļu, gatavošanas laikā var

aizdegties.

- Tauku filtrs jāmaina vismaz reizi mēnesī. Ogleš filtrs jāmaina vismaz reizi 3 mēnešos.
- Ierīce ir jātīra saskaņā ar lietotāja rokasgrāmatu. Ja tīrīšana nav veikta saskaņā ar lietotāja rokasgrāmatu, pastāv aizdegšanās risks.
- Nelietojiet ugunsnedrošus filtra materiālus esošā filtra vietā.
- Lietojiet tikai oriģinālās vai ražotāja ieteiktās rezerves daļas.
- Nedarbiniet ierīci bez filtra, neizņemiet filtrus, kamēr ierīce darbojas.
- Aizdeģšanās gadījumā, atslēdziet savu ierīci un gatavošanas ierīces no elektrotīkla.
- Aizdeģšanās gadījumā, pārklājiet liesmas, bet nedzēsiet to ar ūdeni.
- Atvienojiet ierīci no kontaktligzdas, kad tā netiek lietota un pirms katras tīrīšanas.
- Darbinot tvaiku nosūcēju vienlaikus ar elektrisko plīti un ierīcēm ar citu enerģijas avotu, telpas negatīvajam spiedienam nevajadzētu pārsniegt 4 Pa (4 x 10 bar).
- Telpā, kurā izmanto ierīci, ierīcēm, kuras darbina ar degvielu vai gāzi, piemēram, sildītājiem, jābūt absolūti izolētiem, vai ierīcei jābūt her-



# 1 Svarīgi drošības un vides norādījumi

mētiskai.

- Pievienojot dūmvadam, izmantojiet 120 vai 150 mm diametra caurules. Caurules savienojumam ir jābūt pēc iespējas īsākam ar iespējami mazāko līkumu skaitu.

**Nosmakšanas risks!** Iepakojuma materiālus glabājiēt bērniem nepieejamā vietā.

**UZMANĪBU:** Aizsniedzamās daļas var sakarst, kad darbina kopā ar gatavošanas ierīcēm.

- Ierīces izvadu nedrīkst pievienot gaisa kanāliem, pa kuriem plūst citi dūmi.
- Ja elektriskās plīts tvaika nosūcēju (tas neattiecas uz ierīcēm, kuras gaisu izvada atpakaļ telpā) lieto vienlaikus ar iekārtām, kuras darbina ar gāzi vai citiem kurināmajiem, telpā var nebūt pietiekama ventilācija.
- Priekšmeti, kas novietoti uz ierīces, var nokrist. Nelieciēt uz ierīces nekādus priekšmetus.
- Nededziniēt alkoholu zem ierīces.  
**UZMANĪBU:** Pirms tvaika nosūcēja uzstādīšanas noņemiet aizsargplēvi.
- Tvaika nosūcēja darbības laikā zem tā nenovietojiet atklātu liesmu
- Izmantojot dzilās cepšanas ierīces,

tās ir nepārtraukti jāuzrauga: pārkarsēta eļļa var aizdegties.

## 1.2 Atbilstība EIEA direktīvai un izstrādājuma apsaimniekošanas noteikumiem:

Šis izstrādājums atbilst ES EIEA direktīvai (2012/19/EU). Šim izstrādājumam ir klasifikācijas simbols, kas norāda uz elektrisko un elektronisko iekārtu atkritumiem (EIEA).



Šis simbols norāda uz to, ka šo produktu pēc tā kalpošanas beigām nedrīkst izmest kopā ar mājsaimniecības atkritumiem. Nolietoto ierīci ir jānodod oficiālā savākšanas punktā, kurā pārstrādei pieņem elektriskās un elektroniskās ierīces. Lai atrastu šīs atkritumu savākšanas sistēmas, lūdzu, sazinieties ar vietējām iestādēm vai mazumtirgotāju, pie kura iegādājāties izstrādājumu. Katrai mājsaimniecībai ir būtiska loma vecu sadzīves iekārtu nodošanā un pārstrādē.

Pareiza sadzīves iekārtu utilizācija palīdz novērst potenciāli negatīvu ietekmi uz apkārtējo vidi un cilvēku veselību.

## 1.3 Atbilstība RoHS direktīvai

Produkts, ko jūs iegādājāties, atbilst ES RoHS direktīvai (2011/65/EU).

# 1 Svarīgi drošības un vides norādījumi

Tas nesatur kaitīgos un aizliegtos materiālus, kas minēti direktīvā.

## 1.4 Informācija par iepakojumu



Iepakojuma materiāli ir ražoti no pārstrādātiem materiāliem saskaņā ar mūsu nacionālajām vides regulām. Neizmetiet iepakojuma materiālus kopā ar sadzīves vai citiem atkritumiem. Nogādājiet tos uz vietējo iestāžu noteiktajiem iepakojuma materiālu savākšanas punktiem.

## 1.5 Draudi dzīvībai Risks saindēties



att. 1: Risks saindēties



att. 2: Risks saindēties



### **BĪSTAMI!** **Brīdinājums - nosmakšanas risks**

Iepakojuma materiāli ir bīstami bērniem. Neļaujiet bērniem spēlēt ar iepakojuma materiāliem.



### **BĪSTAMI!** **Brīdinājums - bīstami dzīvībai**

Ieelpojot sadegšanas gāzes, rodas apdraudējums dzīvībai - risks saindēties. Gaisa izvadu nelietojiet ierīci vienlaikus ar iekārtām, kuras izdala indīgas gāzes, piemēram, krāsnis ar gaisa cirkulāciju, kuras darbina ar gāzi, petroleju, malku vai kokoglēm, vannu krāsnīm, ūdens sildītājiem utt., ja netiek pievadīts pietiekami daudz gaisa. Att. 3

Iekārtas ar gaisa cirkulāciju (piem., krāsnis, kuras darbina ar gāzi, petroleju, malku vai kokoglēm, vannas krāsnis, ūdens sildītāji) patērē gaisu no uzstādīšanas telpas un izvada dūmgāzes izvad sistēmā (piem., dūmvadā). Darbināšanas laikā ierīce iesūc gaisu no virtuves un līdzās esošajām telpām. Vakuums veidojas tad, ja netiek pievadīts pietiekami daudz gaisa. Tādā gadījumā indīgās gāzes tiek iesūktas atpakaļ no dūmvada un izplūdes gaisa kanāla, un atgriežas atpakaļ mājoklī. Att. 1.

Šī iemesla dēļ vienmēr jānodrošina tas, ka tīrs gaiss vienmēr tiek pievadīts pietiekamā daudzumā. Att. 2

# 1 Svarīgi drošības un vides norādījumi

## BRĪDINĀJUMS! Aizdegšanās risks!

Tauku nosēdumi eļļas filtrā var aizdegties. Tīriet eļļas filtru vismaz vienreiz mēnesī. Nedarbiniet ierīci bez tauku filtra. Tīriet ogļu filtru vismaz vienreiz trijos mēnešos.

Tauku nosēdumi eļļas filtrā var aizdegties. Ierīces tuvumā nekad nedarbojieties ar atklātu liesmu (piem., flambējot), ierīci ir atļauts uzstādīt līdzās tādai apkures iekārtai, kuru kurina ar cieto kurināmo (piem., malku vai akmeņoglēm), ja virs ierīces ir noslēgts pārsegs, kuru nevar noņemt. Nevajadzētu radīt dzirksteles.

Karsta augu eļļa un tauki var viegli aizdegties. Karsta augu eļļa un tauki vienmēr jāuzmana. Nemēģiniet liesmas nodzēst ar ūdens palīdzību.

Izslēdziet plīti. Uzmanīgi nosedziet liesmas ar vāku, ugunsdzēsības segu vai līdzīgu priekšmetu.



Gāzes plītis, uz kurām nav gatavošanas trauku, darbības laikā rada lielu karstumu. Tādēļ virs plīts novietota ventilēšanas ierīce var sabojāties vai apdegt. Gāzes plīti iedeziet tikai tad, ja uz tās ir gatavošanas trauks.

Darbinot vienlaikus vairāk par vienu gāzes degli, rodas liels karstums. Tādēļ virs plīts novietota ventilēšanas ierīce var sabojāties vai apdegt. Nedarbiniet divus gāzes degļus ar lielu liesmu ilgāk par 15 minūtēm. Degļa, kura jauda pārsniedz 5 kW (Vok), jauda atbilst deglim ar diviem gāzes gredzeniem.

## BRĪDINĀJUMS! Elektriskās strāvas trieciena risks!

Bojāta ierīce var izraisīt elektriskās strāvas triecienu. Nelietojiet bojātu ierīci. Atvienojiet to no strāvas vai izslēdziet drošinātāju drošinātāju kārbā. Izsauciet klientu apkalpošanas dienestu.

Remonts, kas netiek veikts saskaņā ar instrukciju, rada apdraudējumu. Remontu un bojātu elektrības vadu nomaiņu vajadzētu veikt tikai klientu apkalpošanas dienesta speciālistam, kurš apmācīts mūsu uzņēmumā. Ja ierīce ir bojāta, atvienojiet to no strāvas vai izslēdziet drošinātāju drošinātāju kārbā. Izsauciet klientu apkalpošanas dienestu.

Ierīcē ieplūdis ūdens var izraisīt elektriskās strāvas triecienu. Nedrīkst izmantot augstspiediena vai tvaika tīrītājus.



# 1 Svarīgi drošības un vides norādījumi



## **BĪSTAMI!** **Risks savainoties!**

Uzstādīšanas laikā pastāv risks savainoties, jo ierīcei ir asas malas. Uzstādot ierīci, vienmēr lietojiet aizsargcimdus.

Visas drošības skrūves un drošības pārsegi jāuzstāda atbilstoši norādījumiem lietotāja rokasgrāmātā, citādi pastāv risks, ka ierīce nokritīs.

Uz ierīces novietoti priekšmeti var nokrist. Nelieciet nekādus priekšmetus uz ierīces.

LED apgaismojums ir pārāk spožs. Tas var kaitēt jūsu acīm (1. bīstamības grupa) Neskatieties tieši ieslēgtā LED lampā ilgāk par 100 sekundēm.



## **UZMANĪBU!**

Aizsniedzamās daļas var sakarst, kad darbina gatavošanas aprīkojumu.



Ja remonts nav veikts pareizi vai ir veikts neatbilstoši noteikumiem, lūdzu, izslēdziet drošinātāju vai atvienojiet ierīces kontaktdakšīņu no strāvas. Remontu drīkst veikt tikai pilnvarots tehniskās apkopes darbinieks vai pilnvarots pieredzējis speciālists.

Ja remonts nav veikts pareizi vai ir veikts neatbilstoši noteikumiem, lūdzu, izslēdziet drošinātāju vai atvienojiet ierīces kontaktdakšīņu no strāvas. Remontu drīkst veikt tikai pilnvarots tehniskās apkopes darbinieks vai pilnvarots pieredzējis speciālists.



## **BĪSTAMI!** **Risks apdedzināties, elektriskās strāvas trieciena risks!**

Pagaidiet, līdz ierīce atdziest, pirms veicat tīrīšanu vai apkopi. Izslēdziet drošinātāju vai atvienojiet ierīces kontaktdakšīņu no strāvas.

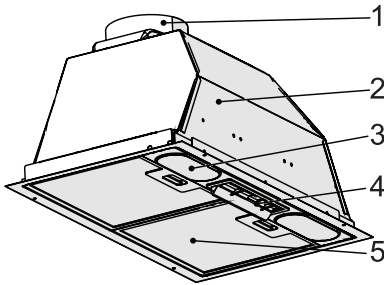
Ja mitrums iekļūst elektronikas daļā, rodas risks sabojāt ierīci. Nekad netīriet vadības pogas ar slapju lupatu.

Nepareizi tīrot, virsmu var sabojāt. Nerūsējošā tērauda virsmas tīriet tikai šķiedras virzienā. Vadības pogām nelietojiet līdzekļus nerūsējošā tērauda kopšanai.

Virsmu var sabojāt ar abrazīviem vai skrāpējošiem tīrīšanas līdzekļiem. Nekad nelietojiet abrazīvus vai skrāpējošus tīrīšanas līdzekļus.

## 2 Vispārīgs izskats

### 2.1. Pārskats



1. Gaisa izplūdes dūmvads
2. Korpuss
3. Tvaika nosūcēja apgaismojums
4. Vadības panelis
5. Alumīnija tauku filtrs

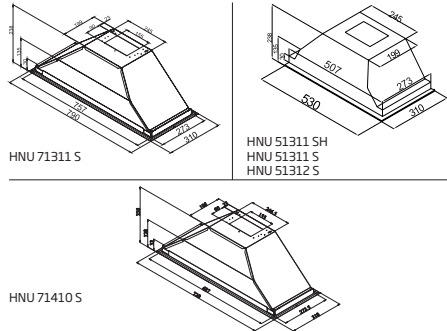
### 2.2. Tehniskie dati

**CE** Šī ierīce atbilst Eiropas Parlamenta un Padomes Direktīvu 2014/30/ES (Direktīva par elektromagnētisko savietojamību) un 2014/35/ES (Direktīva par elektroiekārtām, kas paredzētas lietošanai noteiktās sprieguma robežās) prasībām.

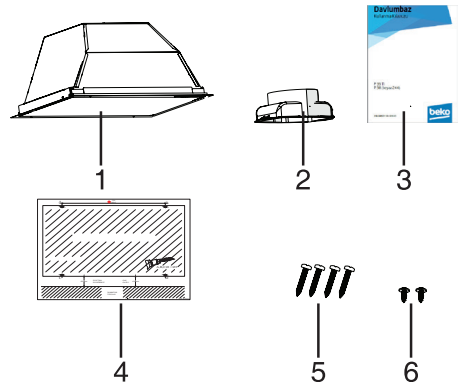
Strāvas spriegums	220-240V~50 Hz
Spuldžu jauda	2x3 W
Motora jauda	1x185 W
Dzinēja izolācijas klase	F
Izolācijas klase	IKLASE

Paturam tiesības veikt tehniskus un dizaina pārveidojumus. Tehniskajos rasējumos izmēri norādīti mm. Šis attēls tikai iepazīstina ar ierīces daļām. Detāļas var atšķirties atkarībā no ierīces modeļa. Attēliem ir ilustratīva nozīme.

### 2.3. Tehniskais rasējums mērogā



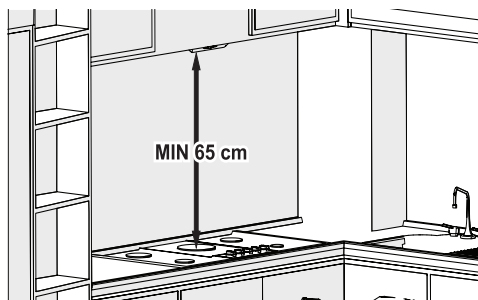
### 2.4. Iepakojuma saturs



1. Tvaika nosūcējs
2. Plastmasas gaisa izplūdes caurule, diametrs 120 mm, 1 gab.
3. Lietotāja rokasgrāmata
4. Uzstādīšanas skice
5. 4 X 3,9 X 32 Skrūves (izmanto tvaiku nosūcēja uzstādīšanai)
6. 3,5 x 9,5 Skrūves (izmanto plastmasas dūmvada uzstādīšanai)

## 3 Ierīces uzstādīšana un lietošana

### 3.1. Ierīces novietojums



- Pirms uzstādīšanas jāpievērš uzmanība attālumam starp plīti un tvaiku nosūcēju. Attālumam jābūt 65 cm.
- Mērījums jāveic no gāzes plīts restu virsmas vai elektriskās plīts stikla virsmas.



Jūsu jaunā ierīce enerģiju izmanto īpaši efektīvi. Šeit atradīsiet dažus padomus par to, kā, lietojot ierīci, ietaupīt vairāk enerģijas, un par to, kā ierīci pareizi izjaukt.

### 3.2. Norādījumi enerģijas taupīšanai;

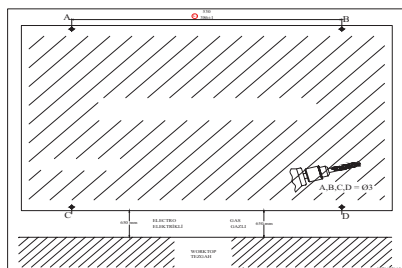
- Lai tvaiku nosūcējs darbotos efektīvi un klusi, nodrošiniet pietiekami daudz pievadītā gaisa.
- Ventilatora ātrumu iestatiet atbilstoši tvaiku daudzumam virtuvē. Augstāko pakāpi izmantojiet tikai tad, kad tas nepieciešams. Izmantojot zemāku ventilatora ātrumu, ir mazāks enerģijas patēriņš.
- Ja paredzams, ka virtuvē būs daudz dūmu, jau iepriekš ieslēdziet lielāku ventilatora ātrumu. Tvaika nosūcējs jādarbina daudz ilgāk, lai atbrīvotos no dūmiem, kuri jau izplatījušies par visu virtuvi.
- Izslēdziet tvaiku nosūcēju, ja to nelietojat.
- Filtrs jātīra vai jānomaina pēc norādītajiem intervāliem, tādējādi paaugstinot ventilācijas efektivitāti un samazinot aizdegšanās risku.

### 3.3. Ierīces uzstādīšana



#### UZMANĪBU!

Veicot urbšanas un zāgēšanas darbus, lietojiet aizsargcimdus un aizsargbrilles.

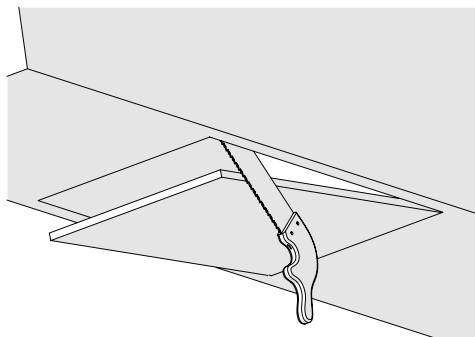


Att. 6

### 3.4 Stiprināšanas caurumu urbšana

- Ierīces komplektam pievienoto uzstādīšanas šablonu uzlīmējiet uz virsmas, pie kuras ierīce tiks uzstādīta.
- Ar Ø4 mm urbja uzgali izurbiet uzstādīšanas skicē norādītos caurumus A, B, C, D. Att. 6

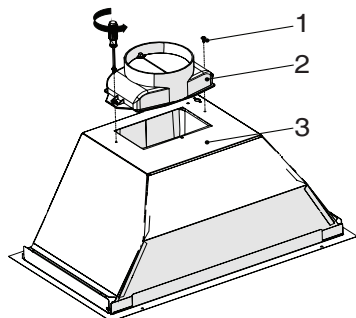
att. 7



## 3 Ierīces uzstādīšana un lietošana

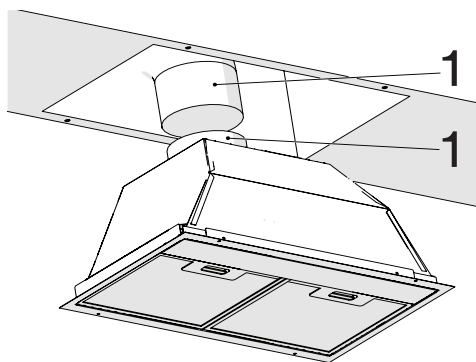
- Veiciet izžāģējumu skapīša, kurā tiks uzstādīts tvaika nosūcējs, apakšējā virsmā atbilstoši tehniskajā rasējumā norādītajiem izmēriem. 7

Att. 8



1. 3,5 x 9,5 skrūve
2. Ø120 mm Plastmasas dūmvads
3. KorpusVārsts Tapas līgзда

- Komplektam pievienoto plastmasas dūmvadu piestipriniet ierīces korpusam ar 2 3,5 x 9,5 skrūvēm. (att. 8) nesaskrāpējiet ar to ierīces virsmu. Att. 8



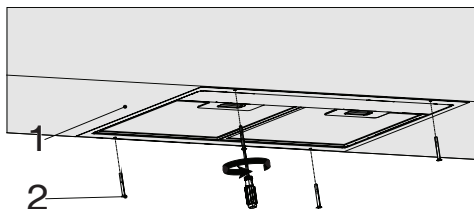
Att. 9

1. Gaisa izplūdes caurule
  2. Tvaika nosūcēja gaisa izplūdes dūmvads
- Gaisa izplūdes cauruli piestipriniet gaisa izplūdes dūmvadam un nostipriniet ar spaili (att. 9).



### UZMANĪBU!

Alumīnija caurules līkumi un pagriezieni izraisa gaisa iesūkšanas jaudas samazināšanos, tādēļ pēc iespējas no tiem jāizvairās.



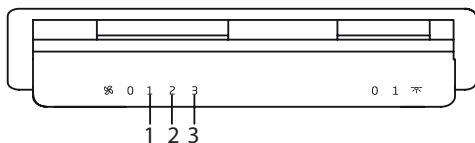
Att. 10

1. Skats uz virtuves skapīti no augšas
2. 4 X 3,9 X 32 skrūve tvaika nosūcēja uzstādīšanai

- Ievietojiet nosūcēju virtuves skapītī un ieskrūvējiet nosūcēja stiprināšanas skrūves iepriekš izurbtajos 4 uzstādīšanas caurumos. (Att. 10).

### 3.5. Ierīces lietošana

#### 3.5.1. Pārslēdža lietošana



- Lai izslēgtu lampu, pārslēdziet slēdzi pozīcijā "0".
- Lai ieslēgtu lampu, pārslēdziet slēdzi pozīcijā "1".
- Lai izslēgtu dzinēju, pārslēdziet dzinēja slēdzi pozīcijā "0".
- Atkarībā no tvaiku daudzuma dzinēju var darbināt ar zemāko pirmo ātruma pakāpi vai augstāko trešo ātruma pakāpi.

## 3 Ierīces uzstādīšana un lietošana

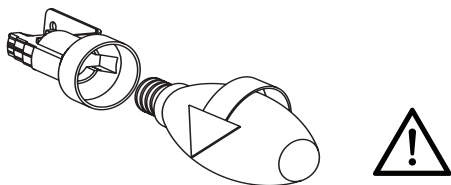
### 3.6. Spuldzes nomaiņa

#### 3.6.1. Spuldzes nomaiņa



#### **BRĪDINĀJUMS!**

Atvienojiet tvaika nosūcēju no strāvas. Karstas spuldzes var jums apdedzināt rokas, tādēļ pagaidiet, līdz tās atdziest.



Att. 11: Spuldzes nomaiņa

- Noņemiet alumīnija filtra kasetni. Izņemiet izdegušo spuldzi un to nomainiet pret spuldzi ar tādiem pašiem parametriem. Att. 11



#### **PIEZĪME.**

Ja ierīce salūzt vai tiek bojāta, izslēdziet drošinātāju vai atvienojiet ierīces kontaktdakšīņu no strāvas un izsauciet pilnvarotu tehniskās apkopes pārstāvi.



#### **PIEZĪME.**

Ja elektrības padeves vads ir bojāts, tā aizvietošana ir jāveic ražotājam, tā pārstāvim vai līdzīgi kvalificētai personai, lai novērstu bīstamības risku.




#### **PIEZĪME.**

Izslēdziet drošinātāju vai atvienojiet ierīces kontaktdakšīņu no strāvas, ja saplīsušas ierīces spuldzes. Nekavējoties nomainiet izdegušas spuldzes, lai citām spuldzēm nebūtu pārslodzes (vispirms apgaidiet, lai spuldzes atdziest).




## 4. Tīrīšana un apkope

### UZMANĪBU!




Rūšas izraisīta bojājuma risks. Gatavošanas laikā vienmēr darbiniet ierīci, lai novērstu kondensāta veidošanos. Kondensāts var izraisīt rūšēšanu. Nekavējoties nomainiet izdegušas spuldzes, lai citām spuldzēm nebūtu pārslodzes. Ja mitrums iekļūst elektronikā daļā, rodas risks sabojāt ierīci. Nekad netīriet vadības pogas ar slapju lupatu. Nepareizi tīrot, virsmu var sabojāt. Nerūsējošā tērauda virsmas tīriet tikai šķiedras virzienā. Vadības pogām nelietojiet līdzekļus nerūsējošā tērauda kopšanai. Virsmu var sabojāt ar abrazīviem vai skrāpējošiem tīrīšanas līdzekļiem. Nekad nelietojiet abrazīvus vai skrāpējošus tīrīšanas līdzekļus. Kondensāta ieplūšana atpakaļ rada risku sabojāt ierīci. Gaisa izplūdes kanālu ierīkojiet 1° leņķī, mazliet uz leju no ierīces.

### UZMANĪBU!



Šo ierīci var izmantot gaisa izpūšanas režīmā vai gaisa cirkulācijas režīmā.

### Gaisa izpūšanas režīms



Iesūkto gaisu attīra tauku filtrs un izvada caur caurulvadu sistēmu. (att. 3) ja vēlaties izplūdes gaisu ievadīt nelietotā dūmgāzu vai izplūdes gāzu dūmvadā, jums jāsaņem atļauja no pilnvarota skursteņslaucītāja. Ja izplūstošo gaisu izvada caur āršieni, jāizmanto teleskopiskā sienas kārba.



Iesūkto gaisu attīra tauku filtrs un aktīvās ogles filtrs, un tad tas tiek no jauna ievadīts virtuvē. Att. 4



### PIEZĪME.

Izplūdes gaisu nedrīkst ievadīt dūmgāzu vai izplūdes gāzu kanālā vai skurstenī, kuru izmanto tādu telpu ventilēšanai, kurās ir apkures iekārtas.



Lai saistītu vielas, kuras cirkulācijas režīmā gaisā rada smakas, jāuzstāda aktīvās ogles filtrs. Jautājiet pilnvarotajam izplatītājam par dažādām iespējām darbināt ierīci gaisa cirkulācijas režīmā. Šim procesam nepieciešamos piederumus varat iegādāties specializētajos veikalos, no pilnvarotajiem tehniskās apkopes pārstāvjiem vai tiešsaistes veikalā.

Ierīce, kuru iegādājāties, var darboties ar ogles filtru. Ogles filtra uzlikšana

1. Ievietojiet ogles filtru filtra korpusā. Att. 15/1

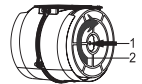
2.- Pagrieziet ogles filtru pulkstenrādītāju kustības virzienā, lai pārliecinātos, ka tas ir cieši iestiprināts. Att. 15/2



Res.13



Res.14



Res.15



Ja ogles filtrs nav kārtīgi iestiprināts, tas var izkrist un sabojāt jūsu ierīci.



### UZMANĪBU!

Nekad nemazgājiet ogles filtrus. Ogles filtrus glabājiet bērniem nepieejamā vietā.

## 4. Tīršana un apkope



### UZMANĪBU!

Bērni nedrīkst bez uzraudzības veikt ierīces apkopi un tīrīt to.

- Virsmu var sabojāt ar abrazīviem vai skrāpējošiem tīrīšanas līdzekļiem. Nekad nelietojiet abrazīvus vai skrāpējošus tīrīšanas līdzekļus. Pilnvarotā tehniskās apkopes dienestā iegādājieties tīrīšanas līdzekļus un aizsargmateriālus, kuri ir piemēroti jūsu ierīcei. Ierīces un vadības pogu virsma ir jutīga pret skrāpējumiem.
- Šis virsmas tīriet ar mīkstu, mitru drānu, izmantojot trauku mazgāšanas līdzekli vai maigu stikla tīrīšanas līdzekli. Piekaltušus un pielipušus netīrumus atmieķšķijiet ar mitru drānu. Neskrāpējiet tos nost!
- Tīrīšanai nav piemērotas sausas drānas, sūkļi, kuri var skrāpēt, materiāli, ar kuriem jāberz, jāslīpē, kā arī citi spēcīgi tīrīšanas līdzekļi, kuru sastāvā ir minerālūdens, skābes vai hlors.
- Nerūsējošā tērauda virsmas tīriet tikai šķiedras virzienā.
- Vadības iekārtas tīrīšanai neizmantojiet nerūsējošā tērauda tīrīšanas līdzekli vai slapju drānu. Metāla tauku filtru tīrīšana. Lietotos metāla tauku filtrus ir sakrājiet virtuves mitrums un gaisa plūsmas nestās tauku daļiņas. Ja nosūcēju lietojat regulāri (1-2 stundas dienā), metāla tauku filtru jātīra ik pēc 3 mēnešiem.
- Neizmantojiet ļoti spēcīgus, skābi saturošus vai kodīgus tīrīšanas līdzekļus.
- Metāla tauku filtru tīrīšanai lietojiet mitru drānu, noslaukot metāla tauku filtru balstošās daļas ierīces iekšpusē.
- Metāla tauku filtrus var mazgāt trauku mazgājamā mašīnā vai ar rokām.
- Nelietojiet izsmidzināmos tīrīšanas līdzekļus tieši uz ierīces.
- Nenovietojiet viegli uzliesmojošus un / vai smagus dekoratīvos elementus uz ierīces.

### 4.1. Mazgāšana trauku mazgājamā mašīnā

- Mazgājot trauku mazgājamā mašīnā, var rasties nelielas krāsas izmaiņas. Tas neietekmē metāla

tauku filtra funkcijas.

- Stipri netīrus metāla tauku filtrus nemazgājiet kopā ar traukiem.
- Metāla tauku filtru trauku mazgājamā mašīnā jāievieto vajīgi vai brīvi. Metāla tauku filtru trauku mazgājamā mašīnā jāievieto neiespīlējot.

### 4.2. Mazgāšana ar rokām

- Grūti notīrāmu netīrumu tīrīšanai varat izmantot speciālu līdzekli tauku šķīdināšanai. Šādu līdzekli varat iegādāties pilnvarotā pārdošanas vietā.
- Atmieķšķijiet metāla tauku filtru karstā trauku mazgāšanas līdzekļa šķīdumā.
- Mazgāšanai lietojiet suku, pagaidiet, līdz šķidrums kārtīgi notek no metāla tauku filtra. Pēc mazgāšanas filtrus rūpīgi izskalojiet.
- Tehniskās specifikācijas un šī rokasgrāmata var tikt mainīta bez iepriekšēja paziņojuma.
- Uz šo ierīci attiecas Elektrisko un elektronisko iekārtu atkritumu pārraudzības noteikumi.
- Šis tvaiku nosūcējs ir paredzēts izmantošanai virs plīts. Pārliedcinieties, ka siena iztur tvaiku nosūcēja svaru. Iesīšanas, izzāģēšanas vai līdzīgas darbības, kuras, uzstādot ierīci, jāveic sienā vai skapī, izmaksas sedz patērētājs. Tvaika nosūcēju var izmantot ar dūmvadu sistēmu, kura izvada gaisu, vai bez dūmvada (ievietojot ogles filtru). Pievērsiet uzmanību vielām, ar kurām ierīce var saskarties pirms uzstādīšanas vai tās laikā. Uzstādīšanu veic autorizēts servisa personāls. Uzstādīšanu drīkst veikt pilnvarots speciālists, kuram ir zināšanas par ventilāciju. Rūpniecības ministrijas noteiktais ierīces kalpošanas ilgums (laiks, kurā ir pieejamas rezerves daļas ierīces funkciju nodrošināšanai) ir 10 (desmit) gadi.
- Jūsu ierīce transportēšanas laikā ir jāglabā oriģinālajā iepakojumā, lai to nesabojātu.
- Ierīci glabāšanas un transportēšanas laikā glabājiet normālā pozīcijā.
- Nenometiet ierīci zemē un sargājiet to no bojājumiem transportēšanas laikā. Garantija neattiecas uz darbības traucējumiem un bojājumiem, kuri radušies transportēšanas laikā pēc ierīces nogādāšanas klientam.

## 5 Traucējumu meklēšana

Traucējumu meklēšana	Iemesls	Risinajums
Izstrādājums nedarbojas.	Pārbaudiet drošinātāju.	Drošinātājs var būt izslēgts, ieslēdziet to.
Izstrādājums nedarbojas.	Pārbaudiet elektrisko savienojumu.	Elektriskā tīkla spriegumam ir jābūt 220-240 V.
Izstrādājums nedarbojas.	Pārbaudiet elektrisko savienojumu.	Pārbaudiet, vai parējās ierīces virtuvē darbojas.
Apgaismojuma spuldze nedarbojas.	Pārbaudiet elektrisko savienojumu.	Elektriskā tīkla spriegumam ir jābūt 220-240 V.
Apgaismojuma spuldze nedarbojas.	Pārbaudiet spuldzes slēdzi.	Spuldzes slēdzim ir jābūt stāvoklī "iesl."
Apgaismojuma spuldze nedarbojas.	Pārbaudiet spuldzes.	Izstrādājuma spuldzēm ir jābūt darba kārtībā.
Izstrādājums nenodrošina efektīvu gaisa nosūci.	Pārbaudiet alumīnija filtru.	Normālos lietošanas apstākļos alumīnija filtrs ir jātīra ik mēnesi.
Izstrādājums nenodrošina efektīvu gaisa nosūci.	Pārbaudiet ventilācijas caurules aizbīdņi.	Ventilācijas caurules aizbīdņim ir jābūt stāvoklī "iesl."
Izstrādājums nenodrošina efektīvu gaisa nosūci.	Pārbaudiet oglekļa filtru.	Normālos lietošanas apstākļos izstrādājumos, kas ir aprīkoti ar oglekļa filtru, filtrs ir jāmaina ik pēc 3 mēnešiem.

# Pirmiausia perskaitykite šią naudojimo instrukciją!

Brangus kliente,

Dėkojame, kad pasirinkote šį „Beko“ prietaisą. Tikimės, kad šiuo prietaisu, kuris buvo pagamintas naudojant aukščiausios kokybės moderniausią technologiją, liksite patenkinti. Dėl to, prieš pradėdami naudoti šį prietaisą, perskaitykite visą šią naudojimo instrukciją bei prie jos pridėjusius dokumentus ir juos pasilikite, jei prireiktų ateityje. Jeigu atiduotumėte šį prietaisą kam nors kitam, kartu atiduokite ir šią naudojimo instrukciją. Laikykitės naudojimo instrukcijoje pateiktų nurodymų, atkreipkite dėmesį į visą informaciją ir įspėjimus.

Atkreipkite dėmesį, kad ši naudojimo instrukcija gali būti taikoma ir kitiems modeliams. Modelių skirtumai yra aiškiai aprašyti šioje instrukcijoje.

## Ženklų reikšmės

Įvairiuose šios naudojimo instrukcijos skyriuose naudojami šie simboliai:



Svarbi informacija ir naudingi patarimai, kaip naudoti prietaisą.



**ĮSPĖJIMAS:** Įspėjimai apie pavojingas situacijas, keliančias pavojų gyvybei ir turtui.



Įspėjimas dėl gaisro pavojaus.



Įspėjimas dėl elektros smūgio.



Šis prietaisas pagamintas moderniose ekologiškose gamyklose,  
nedarant žalos gamtai.

# 1 Svarbios saugos ir aplinkos apsaugos taisyklės

## 1.1 Bendrieji saugos reikalavimai

Svarbios saugos instrukcijos Atidžiai perskaitykite ir pasilikite ateičiai Šiame skyriuje pateikiama saugos informacija, kuri padės išvengti gaisro, elektros smūgio, mikrobangų krosnelės spinduliuojamos energijos poveikio pavojaus, susižeidimų ar materialinės žalos. Jei nesilaikysite šių instrukcijų, nebus taikoma garantija.

- „Beko“ gaminiai atitinka galiojančius saugos standartus, todėl, jeigu prietaisas arba jo maitinimo laidas būtų pažeistas, jį privalo paleisti platintojas, aptarnavimo centras ar specialistas arba bet kuris kitas įgaliotasis atstovas, kad būtų išvengta bet kokių pavojų. Klaidingi arba netinkami remonto darbai gali kelti pavojų ir riziką vartotojui.
- Šis įrenginys yra skirtas naudoti buitiniams ir panašiems tikslams, pvz.:
  - darbuotojų valgomuosiuose, pavyzdžiui, parduotuvėse, biuruose ir kitoje darbo aplinkoje;
  - ūkininkų gyvenamuosiuose namuose;
  - klientams viešbučiuose ir kitoje

gyvenamojo aplinkoje;

- viešbučiuose, kuriose siūloma nakvynė su pusryčiais.

- Prietaisą naudokite tik pagal paskirtį, aprašytą šiose naudojimo instrukcijose.
- Gamintojas neatsako už žalą, patirtą dėl netinkamo gaminio įrengimo ar naudojimo.
- Šį prietaisą leidžiama naudoti vaikams nuo 8 metų amžiaus ir asmenims, turintiems fizinių, jutimo ar psichinių negalių, arba neturintiems patirties ir žinių, kaip naudoti šį prietaisą, su sąlyga, kad jie bus prižiūrimi arba išmokyti, kaip saugiai naudoti šį prietaisą, ir supras atitinkamus pavojus.
- Neleiskite vaikams žaisti su šiuo prietaisu. Neprižiūrimi vaikai negali atlikti valymo ir naudotojo atliekamų techninės priežiūros darbų.
- Mažiausias atstumas tarp kaitlentės virimo indų atraminio paviršiaus ir žemiausios gaminio dalies turi būti bent 65 cm.
- Jei dujinės kaitlentės montavimo instrukcijose nurodytas didesnis atstumas, reikia jį atsižvelgti.
- Pasirūpinkite, kad jūsų elektros tinklo duomenys atitiktų prietaiso

# 1 Svarbios saugos ir aplinkos apsaugos taisyklės

kategorijos plokštelėje nurodytus duomenis.

- Niekada nenaudokite prietaiso, jeigu šis yra sugadintas arba pažeistas jo maitinimo laidas.
- Saugokite maitinimo laidą, kad jis nebūtų suspaustas, užlenktas arba trinamas į aštirus kraštus. Saugokite maitinimo kabelį nuo įkaitusių paviršių ir atviros ugnies.
- Prietaisąjunkite tik prie įžeminto elektros lizdo.

**ĮSPĖJIMAS:** Nejunkite prietaiso prie elektros tinklo, kol jis nėra visiškai sumontuotas.

- Prietaisą pastatykite taip, kad elektros kištukas visada būtų pasiekiamas.
- Nelieskite lempučių, jeigu jos ilgai švietė. Jos bus karštos, dėl to galite nusideginti rankas.
- Laikykitės kompetentingų valdžios institucijų nustatytų taisyklių dėl ištraukiamojo oro išleidimo (šis įspėjimas netaikomas, jeigu prietaisas naudojamas be dūmtraukio).
- Įjunkite prietaisą po to, kai pastatysite ant kaitvietės puodą, keptuvę ir t.t. Priešingu atveju dėl didelio karščio kai kurios jūsų gaminių dalys gali deformuotis.

- Išjunkite kaitvietę prieš nuimdami nuo jos puodą, keptuvę ir t.t.
- Nepalikite ant kaitvietės karšto aliejaus. Keptuvės su karštu aliejumi gali tapti užsidegimo priežastimi.
- Atkreipkite dėmesį į užuolaidas ir uždangalus, nes kepant, pvz., bulvių šiaudelius, aliejus gali užsiliepsnoti.
- Riebalų filtrą reikia keisti bent kartą per mėnesį. Anglies filtrą reikia keisti bent kartą per 3 mėnesius.
- Gaminys turi būti valomas pagal naudojimo instrukciją. Jei valymas atliktas ne pagal naudojimo instrukciją, gali kilti gaisro pavojus.
- Vietoje dabartinio filtro nenaudokite ugniai neatsparių filtravimo medžiagų.
- Naudokite tik originalias arba gamintojo rekomenduojamas dalis.
- Nenaudokite prietaiso be filtro ir neišimkite filtrų iš veikiančio prietaiso.
- Atsiradus liepsnai, išjunkite gaminį ir maisto gaminių prietaisus.
- Atsiradus liepsnai, ją uždenkite ir jokiū būdu negesinkite vandeniū.
- Jeigu prietaiso nenaudojate arba prieš jį valydami, atjunkite jį nuo

# 1 Svarbios saugos ir aplinkos apsaugos taisyklės

elektros tinklo.

- Patalpoje, kurioje vienu metu veikia virš elektrinės kaitlentės montuojamas garų rinktuvas ir kiti, ne elektra maitinami prietaisai, negiamas slėgis neturi viršyti 4 Pa (4 x 10 bar).
- Patalpoje, kurioje naudojamas prietaisas, mazutu arba dujomis kūrenamų prietaisų, pvz., šildytuvo, išmetamos dujos privalo būti visiškai izoliuotos arba tokie prietaisai privalo būti hermetiški.
- Dūmtraukiui prijungti naudokite 120 mm arba 150 mm skersmens vamzdžius. Vamzdžio jungtis turi būti kuo trumpesnė, o alkūnių skaičius – minimalus.

**Pavojus uždusti!** Visas pakuotės dalis laikykite vaikams nepasiekiamoje vietoje.

**ATSARGIAI!** Naudojant su maisto gaminimo prietaisais, liečiamos prietaiso dalys gali įkaisti.

- Gaminio išleidimo vamzdžio negalima jungti prie ortakių, kuriuose yra kitų dūmų.
- Vienu metu patalpoje naudojant virš elektrinės kaitlentės montuojamą garų rinktuvą ir dujomis arba kitu kuru kūrenamus prietaisus ventilacija gali būti nepakankama

(ši nuostata gali būti netaikoma prietaisams, kurie orą išleidžia tik atgal į patalpą).

- Ant gaminio sudėti daiktai gali nukristi. Nedėkite jokių daiktų ant gaminio.
- Neuždeginėkite po gaminiu.

**ĮSPĖJIMAS:** Prieš montuodami garų rinktuvą, nuimkite apsaugines plėveles.

- Niekada nepalikite atviros liepsnos po veikiančiu garų rinktuvu.
- Naudojant gruzdintuves, jas reikia nuolat prižiūrėti: per daug įkaitęs aliejus gali užsiliepsnoti.

## 1.2 Atitiktis EEJA direktyvai ir atitarnavusio gaminio sutvarkymas:

Šis gaminys atitinka ES EEJA direktyvą (2012/19/ES). Šis gaminys žymimas elektros ir elektroninės įrangos atliekų (EEJA) simboliu.



Šis simbolis reiškia, kad, kai produktas tampa nebenaudojamas, jo negalima šalinti kartu su kitomis buitinėmis

atliekomis. Panaudotą prietaisą būtina pristatyti į elektros ir elektroninių prietaisų surinkimo ir perdirbimo punktą. Norėdami sužinoti, apie surinkimo ir perdirbimo punktus

# 1 Svarbios saugos ir aplinkos apsaugos taisyklės

- susisieki su vietos institucijomis arba pardavėju. Kiekvienas atliekame svarbų vaidmenį saugodami gamtą ir perdirbdami senus buitinius prietaisus.

Atitinkamas panaudotų buitinių prietaisų šalinimas padeda išvengti neigiamos žalos gamtai ir žmogaus sveikatai.

## 1.3 Atitiktis RoHS direktyvai

Jūsų įsigytas gaminys atitinka ES RoHS direktyvą (2011/65/ES). Jame nėra direktyvoje nurodytų kenksmingų ar draudžiamų medžiagų.

## 1.4 Informacija apie pakuotę



Šio gaminio pakavimo medžiagos pagamintos iš pakartotinai panaudojamų medžiagų, atsižvelgiant į mūsų nacionalinius aplinkosaugos reglamentus. Neišmeskite pakavimo medžiagų kartu su buitinėmis atliekomis arba kitomis šiukšlėmis. Jas atiduokite į vietinių valdžios institucijų nurodytus pakavimo medžiagų surinkimo punktus.

## 1.5 Esminis pavojus Apsinuodijimo pavojus



Pav. 1: Apsinuodijimo pavojus



Pav. 2: Apsinuodijimo pavojus



### **PAVOJUS!** **Įspėjimas - pavojus** **uždusti**

Pakavimo medžiagos kelia pavojų vaikams. Neleiskite vaikams žaisti su pakavimo medžiagomis.



# 1 Svarbios saugos ir aplinkos apsaugos taisyklės

## **PAVOJUS!** **Įspėjimas - mirtinas pavojus**

Dėl pakartotinai įtrauktų degimo dujų kyla gyvybei pavojingo apsinuodijimo pavojus. Prietaiso su oro išleidimo anga negalima naudoti kartu su dujomis, mazutu, malkomis arba medžio anglimis kūrenamais nuodingas dujas išskiriančiais prietaisais, pavyzdžiui, oro cirkuliacinėmis krosnimis, šildytuvais, vandens šildytuvais ir t.t., nebent būtų užtikrintas pakankamas oro tiekimas. Pav. 3



Oro cirkuliaciniai įrenginiai (pvz., dujomis, mazutu, malkomis arba medžio anglimis kūrenamos krosnys, šildytuvai, vandens šildytuvai) iš vietos, kurioje yra pastatyti, traukia orą ir per dujų išmetimo sistemą (pvz., ortakį) išleidžia dujas. Dirbdamas prietaisas traukia orą iš virtuvės ir kaimyninių kambarių. Jeigu neužtikrinamas pakankamas oro tiekimas, susidaro vakuumas. Tokiu atveju iš ortakio ir dūmtraukio yra pradedamos traukti nuodingos dujos, kurios patenka atgal į patalpą. Pav. 1

Dėl šios priežasties derėtų pasirūpinti, kad visada būtų tiekiamas pakankamai šviežio oro. Pav. 2

## **ĮSPĖJIMAS!** **Gaisro pavojus!**

Alyvos nuosėdos ant alyvos filtro gali užsidegti. Valykite alyvos filtrą bent kartą per mėnesį. Nenaudokite prietaiso be alyvos filtro. Valykite medžio anglies filtrą bent kartą per tris mėnesius.

Ant alyvos filtro susikaupusi alyva gali užsidegti. Arti prietaiso niekada nenaudokite atviros liepsnos (pvz., negaminkite spiritu apipilamų ir uždegamų patiekalų) Prietaisą montuoti arti kietuoju kuru (pvz., malkomis arba anglimi) kūrenamų šildymo įrenginių galima tik tuo atveju, jeigu toks įrenginys turi nenuimamą uždara gaubtą. Neturi būti keliama jokių kibirkščių.

Įkaitęs augalinis aliejus ir riebalai lengvai užsiliepsnoja. Įkaitusį augalinį aliejų ir riebalus būtina nuolat atidžiai stebėti. Nebandykite gesinti liepsnos vandeniu.

Išjunkite kaitlentę. Atsargiai uždenkite liepsną dangčiu, priešgaisrine antklode arba panašiu daiktu.



# 1 Svarbios saugos ir aplinkos apsaugos taisyklės



Jungtos dujinės viryklės, jeigu ant jų nėra virtuvinių indų, skleidžia didelę šilumą. Dėl to virš tokios viryklės sumontuotas ventiliacijos prietaisas gali būti sugadintas arba užsidegti. Dujines virykles naudokite tik tada, kai ant jų yra virtuviniai indai.

Vienu metu degant daugiau nei vienam dujų degikliui išskiriama didelė šiluma. Dėl to virš tokios viryklės sumontuotas ventiliacijos prietaisas gali būti sugadintas arba užsidegti. Nustatę didelę liepsną nenaudokite dviejų dujinės viryklės degiklių ilgiau kaip 15 minučių. Didesnės nei 5kW galios degiklis prilygsta dviejų lygių degikliui.



## ĮSPĖJIMAS!

### Elektros smūgio pavojus!

Netvarkingas prietaisas gali nutrenkti elektra. Nesinaudokite netvarkingu prietaisu. Išjunkite jį iš elektros lizdo arba ištraukite saugiklį iš saugiklių dėžutės. Paskambinkite į klientų aptarnavimo centrą.

Nesilaikant instrukcijų atliktas remontas kelia grėsmę. Remonto ir sugadintų elektros kabelių keitimo darbus turi atlikti tik kvalifikuotas mūsų įmonės klientų aptarnavimo tarnybos darbuotojas. Jeigu prietaisas sugedo, išjunkite jį iš elektros lizdo arba ištraukite saugiklį iš saugiklių dėžutės. Paskambinkite į klientų aptarnavimo centrą.

Į prietaisą patekęs vanduo gali sukelti elektros smūgį. Draudžiama valyti aukšto slėgio arba gariniais valymo prietaisais.

# 1 Svarbios saugos ir aplinkos apsaugos taisyklės

## **PAVOJUS!**

### **Sužalojimų pavojus!**

Montuojant yra pavojus susižaloti į aštrias briaunas. Montuodami prietaisą visada mūvėkite apsaugines pirštines.

Kad būtų išvengta prietaiso nukritimo pavojaus, visi varžtai ir apsauginiai gaubtai turi būti sumontuoti taip, kaip nurodyta naudojimo instrukcijoje.

Ant prietaiso sudėti daiktai gali nukristi. Nedėkite ant prietaiso jokių daiktų.

Šviesos diodas yra itin ryškus ir gali sužaloti akis (1 pavojingumo grupė). Nežiūrėkite tiesiai į šviesos diodą ilgiau nei 100 sekundžių.



## **ATSARGIAI**

Naudojant su maisto gaminimo įranga liečiamos prietaiso dalys gali įkaisti.



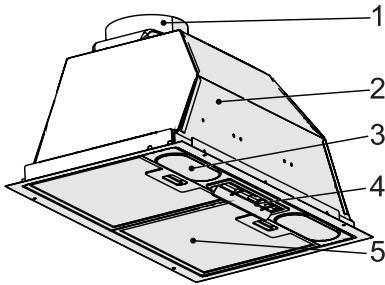
Išjunkite prietaiso saugiklį arba ištraukite prietaiso kištuką iš elektros lizdo, jeigu jis buvo remontuojamas netinkamai arba nesilaikant taisyklių. Remonto darbus gali atlikti tik įgalioto serviso darbuotojai arba įgalioti kvalifikuoti specialistai.

Išjunkite prietaiso saugiklį arba ištraukite prietaiso kištuką iš elektros lizdo, jeigu jis buvo remontuojamas netinkamai arba nesilaikant taisyklių. Remonto darbus gali atlikti tik įgalioto serviso darbuotojai arba įgalioti kvalifikuoti darbuotojai.



## 2 Bendra išvaizda

### 2.1 Apžvalga



1. Oro ištraukimo ortakis
2. Korpusas
3. Kaitlentės apšvietimas
4. Valdymo skydelis
5. Aliuminio folijos filtras

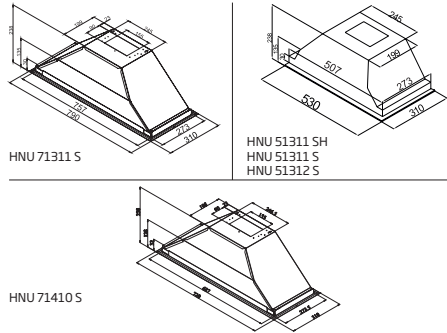
### 2.2 Techniniai duomenys

**CE** Šis prietaisas atitinka Europos direktyvą Nr. 2014/30/ES (elektromagnetinio suderinamumo direktyva) ir direktyvą Nr. 2014/35/ES (žemos įtampos direktyva (ŽID)).

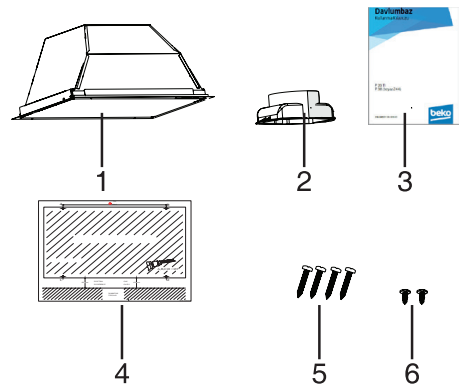
Maitinimo įtampa	220-240V 50 Hz.
Lemputės galia (W)	2x3 W
Variklio galia (W)	1x185 W
Variklio izoliavimo klasė	F
Izoliavimo klasė	IKLASĖ

Pasilikame teisę keisti techninius duomenis ir dizainą. Matmenys techniniuose brėžiniuose nurodyti mm. Šis paveikslėlis yra skirtas tik suteikti informaciją apie prietaiso dalis. Dalys gali skirtis priklausomai nuo prietaiso modelio. Paveikslėliai yra pateikti reprezentatyviai.

### 2.3 Techninis brėžinys su masteliu



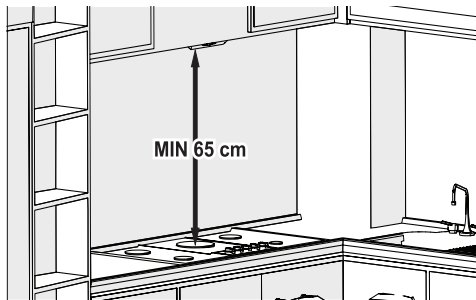
### 2.4 Pakuotės turinys



1. Garų rinktuvas
2. 120 mm skersmens plastikinis ortakis
3. Naudojimo instrukcija
4. Montavimo brėžinys
5. 4 X 3,9 X 32 varžtas (Skirtas garų rinktuvui montuoti)
6. 3,5 x 9,5 varžtas (Skirtas plastikiniam ortakiui montuoti)

## 3 Prietaiso montavimas ir naudojimas

### 3.1 Prietaiso pastatymo vieta



- Prieš montuojant reikia atkreipti dėmesį į atstumą tarp garų rinktuvo ir kaitlentės. Šis atstumas turėtų būti 65 cm.
- Dujinėms viryklėms atstumą reikia matuoti nuo grotelių, o elektrinėms kaitlentėms - nuo stiklinio paviršiaus.



Jūsų naujasis prietaisas energiją naudoja itin taupiai. Šiame dokumente rasite patarimų, kaip naudojant prietaisą sutaupyti daugiau energijos ir kaip deramai sutvarkyti nebetinkamą naudoti prietaisą.

### 3.2 Ką derėtų daryti norint taupyti energiją;

- Kad gaminant valgį garų rinktuvas veiktų efektyviai ir tyliai, užtikrinkite pakankamą oro įsiurbimą.
- Ventilatoriaus greitį nustatykite atsižvelgdami į garų kiekį virtuvėje. Didelį greitį naudokite tik tada, kai yra būtina. Mažesniu greičiu veikiantis ventilatorius naudoja mažiau energijos.
- Iš anksto nustatykite didesnę ventilatoriaus greitį, jeigu žinote, kad virtuvėje kils tiršti dūmai. Garų rinktuvas turi dirbti kur kas ilgiau, kad ištrauktų po visą virtuvę pasklidusius dūmus.
- Išjunkite garų rinktuvą, kai jo nenaudojate.
- Valykite arba keiskite filtrą nurodytais intervalais, tokiu būdu padidinsite ventilacijos

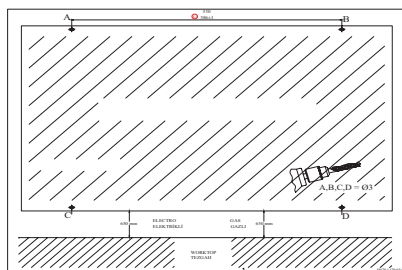
efektyvumą ir neleisite kilti galimo gaisro pavojui.

### 3.3 Prietaiso montavimas



#### ATSARGIAI

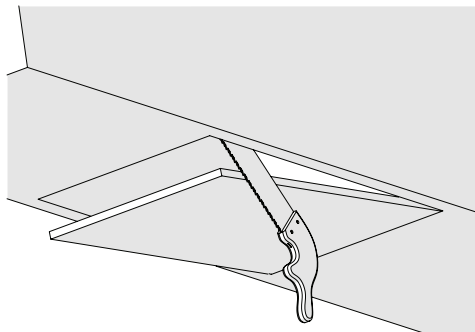
Atlikdami gręžimo ir pjovimo darbus mūvėkite apsaugines pirštines ir būkite užsidėję apsauginius akinius.



Pav. 6

### 3.4 Tvirtinimo skylių gręžimas

- Priklijuokite kartu su prietaisu tiekiamą montavimo šabloną prie paviršiaus, ant kurio montuosite.
- 4 mm skersmens grąžtu išgręžkite skylės ant šablono raidėmis A, B, C, D pažymėtose vietose. Pav. 6

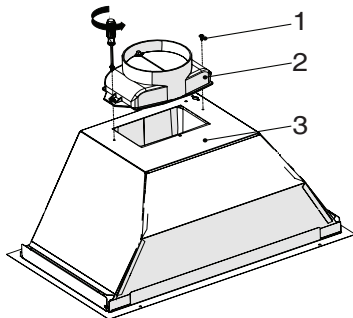


Pav. 7

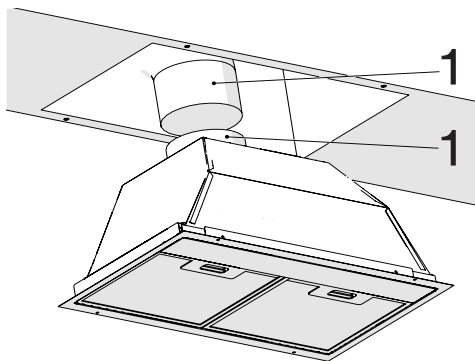
## 3 Prietaiso montavimas ir naudojimas

- Spintelės, kurioje bus montuojamas garų rinktuvas, apačioje išpjaukite techniniame brėžinyje nurodyto dydžio angą (Pav. 7).

Pav. 8



1. 3,5 x 9,5 varžtas
  2. 120 mm skersmens plastikinis ortakis
  3. Korpusas/Vožtuvas Kaištis Lizdas
- Dviem 3,5 x 9,5 varžtais pritvirtinkite plastikinį ortakį prie prietaiso korpuso. (Pav. 8) Neįtrinkite jo į paviršių. Pav. 8



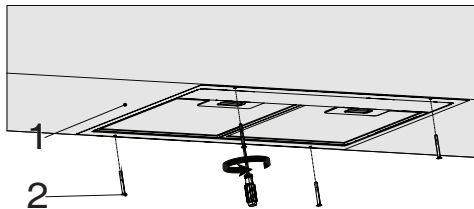
Pav. 9

1. Oro išleidimo vamzdis
  2. Garų rinktuvo oro ištraukimo ortakis
- Pritvirtinkite oro išleidimo vamzdį prie oro ištraukimo ortakio ir užfiksuokite veržikliu (Pav. 9).



### ATSARGIAI

Aliuminio vamzdžio išlinkimai ir alkūnės mažina oro siurbimo galią, dėl to jų skaičių reikėtų stengtis sumažinti iki minimumo.

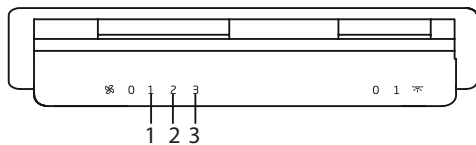


Pav. 10

1. Virtuvės spintelės vaizdas iš apačios
  2. 4 X 3,9 X 32 garų rinktuvo montavimo varžtas
- Įstatykite garų rinktuvą į virtuvės spintelę ir pritvirtinkite jį prie anksčiau išgręžtų 4 montavimo skylių (Pav. 10).

## 3.5 Prietaiso naudojimas

### 3.5.1 Jungiklio naudojimas



- Lemputės jungiklį nustatykite į padėtį „0“, kad išjungtumėte lempuotę.
- Lemputės jungiklį nustatykite į padėtį „1“, kad įjungtumėte lempuotę.
- Variklio jungiklį nustatykite į padėtį „0“, kad išjungtumėte variklį.
- Variklio greitį galima keisti atsižvelgiant į gaminant maistą kylančių garų tirštumą nuo 1 (mažiausio) greičio iki 3 (didžiausio) greičio.

## 3 Prietaiso montavimas ir naudojimas

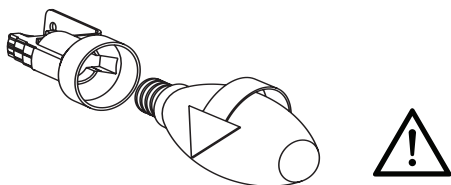
### 3.6 Lemputės keitimas

#### 3.6.1 Lemputės-žvakutės keitimas



#### **ĮSPĖJIMAS**

Išjunkite garų rinktuvo maitinimą. Įkaitusios lempučių gali nudeginti rankas, todėl palaukite, kol šios atvės.



Pav. 11: Lemputės-žvakutės keitimas

- Nuimkite aliuminį kasetinį filtrą. Išimkite perdegusią lempučių ir pakeiskite nauja tokio paties galingumo lempučių. Pav. 11



#### **PASTABA:**

Jeigu prietaisas sugestų arba būtų pažeistas, išjunkite saugiklį arba ištraukite prietaiso kištuką iš elektros lizdo ir iškvieskite įgaliotąjį priežiūros atstovą.



#### **PASTABA:**

Jei maitinimo kabelis yra pažeistas, jį privalo pakeisti gamintojas arba jo techninės priežiūros atstovas arba kitas kvalifikuotas asmuo, kad nekiltų pavojaus.



#### **PASTABA:**

Jeigu prietaiso lempučių perdegtų, išjunkite saugiklį arba ištraukite prietaiso kištuką iš elektros lizdo. Nedelsdami pakeiskite perdegusias lempučių, kad kitos lempučių nebūtų perkraunamos (prieš tai palaukite, kol lempučių atvės).

## 4 Valymas ir priežiūra

### ATSARGIAI

Pažeidimų dėl korozijos pavojus. Kad nesusidarytų kondensatas, gamindami maistą visada naudokite prietaisą. Dėl kondensato gali atsirasti korozijos pažeidimai. Nedelsdami pakeiskite perdegusias lemputes, kad kitos lemputės nebūtų perkraunamos. Į vidų prasiskverbusi drėgmė gali pažeisti elektroniką. Niekada nevalykite valdiklių šlapia šluoste. Netinkamai valant galima pažeisti paviršių. Nerūdijančiojo plieno paviršius valykite tik braukdami šepetį pagal plauką. Nevalykite valdiklių nerūdijančiojo plieno valikliu. Sveičiamosios arba trinamos valymo priemonės gali pažeisti paviršių. Niekada nenaudokite šveičiamųjų arba trinamųjų valymo priemonių. Yra pavojus, kad atgal tekantis kondensatas gali sugadinti prietaisą. Oro išleidimo iš prietaiso kanalą sumontuokite taip, kad jis būtų nukreiptas 1° žemyn nuo prietaiso.



### ATSARGIAI

Šį prietaisą galima naudoti oro ištraukimo ir oro cirkuliacijos režimu.



### Oro ištraukimo režimas

Ištrauktas oras yra išvalomas alyvos filtrais ir išleidžiamas per vamzdyną. (Pav. 3) Norint nukreipti nešvarų orą į nenaudojamą dūmtraukį arba išmetamųjų dujų dūmatakį, būtina gauti įgalioto dūmtakių valymo specialisto leidimą. Norint išleisti nešvarų orą per išorinę sieną, derėtų naudoti teleskopinį perėjimą per sieną.



Ištrauktas oras yra išvalomas alyvos filtrais ir aktyviosios anglies filtru ir yra išleidžiamas atgal į virtuvę. Pav. 4



### PASTABA!

Nešvaraus oro negalima nukreipti nei į dūmtraukį arba išmetamųjų dujų dūmatakį, nei į patalpų, kuriose sumontuoti šildymo įrenginiai, ventiliacinius ortakius.



Norint sulaikyti kvapą sukeliančias medžiagas, kai prietaisas naudojamas cirkuliacijos režimu, reikia sumontuoti aktyviosios anglies filtrą. Informacijos apie skirtingas galimybes naudoti prietaisą oro cirkuliacijos režimu, teiraukitės įgaliotojo atstovo. Tokiam naudojimui būtinus priedus galima įsigyti atitinkamose pardavimo vietose, iš įgaliotųjų priežiūros atstovų arba internetinėje parduotuvėje.

Jūsų įsigytą prietaisą galima naudoti su anglies filtru. Anglies filtro uždėjimas;

1- Įstatykite anglies filtrą į jo korpusą. Pav. 15/1

2- Pasukite anglies filtrą pagal laikrodžio rodyklę, kad įsitikintumėte, ar šis yra tvirtai įstatytas. Pav. 15/2



Res.13



Res.14



Res.15



Deramai nepritvirtintas anglies filtras gali nukristi ir sugadinti jūsų gaminį.



## 4 Valymas ir priežiūra



### ATSARGIAI

Niekada neplaukite anglies filtrų. Anglies filtrus laikykite vaikams nepasiekiamoje vietoje.



### ATSARGIAI

Nepriziūrimi vaikai negali atlikti valymo ir naudotojo atliekamų techninės priežiūros darbų.

- Šveičiamosios arba trinamos valymo priemonės gali pažeisti paviršių. Niekada nenaudokite šveičiamųjų ir trinamųjų valymo priemonių. Jūsų prietaisui tinkančias valymo priemones ir apsaugines medžiagas įsigykite iš įgaliotojo serviso. Prietaiso ir valdiklių paviršius yra neatsparus braižymui.
- Paviršius valykite švelnia ir drėgna šluoste, indų plovimo skysčiu arba švelnia stiklo plovimo priemone. Pridžiuvusius ir prikibusius nešvarumus suminkštinkite drėgna šluoste. Negramdykite!
- Sausos šluostės, subraižyti galinės kempinės, priemonės, kurias reikia trinti, smėlis ir kitos efektyvios valymo priemonės, kurių sudėtyje yra mineralinio vandens, rūgšties arba chlorido, valymui netinka.
- Nerūdijančiojo plieno paviršius valykite tik paviršiaus nušlifavimo kryptimi.
- Valdymo bloką nevalykite nerūdijančiojo plieno valymo priemonėmis arba šlapiomis šluostėmis. Metalinių alyvos filtrų valymas Senuose metaliniuose alyvos filtruose kaupiasi virtuvėje susidaranti drėgmė ir garuose esančios riebalų dalelės. Reguliariai naudojant prietaisą (nuo 1 iki 2 valandų per dieną), metalinius alyvos filtrus reikia valyti maždaug kartą per 3 mėnesius.
- Nenaudokite pernelyg efektyvių, rūgščių arba šerdinančių valymo priemonių.
- Metalinių alyvos filtrų valymui naudokite drėgną šluostę, ja nuvalykite šiuos filtrus prietaise laikinčias dalis.
- Metalinius alyvos filtrus galima plauti indaplovėje arba rankomis.
- Nepurškite valymo priemonių tiesiai ant prietaiso.
- Nestatykite ant prietaiso degių ir (arba) sunkių

dekoracijų.

### 4.1 Plovimas indaplovėje

- Plauçant indaplovėje spalva gali šiek tiek pasikeisti. Tai neturi įtakos metalinio alyvos filtro veikimui.
- Išin nešvarių metalinių alyvos filtrų neplaukite kartu su indais.
- Metalinius alyvos filtrus galima į indaplovę sudėkite laisvai. Į indaplovę dedamų metalinių alyvos filtrų nederėtų sugrūsti.

### 4.2 Plovimas rankomis

- Sunkiai pašalinamiems nešvarumams nuvalyti galima naudoti specialią riebalus tirpdančią priemonę. Šią priemonę galima įsigyti iš įgalioto prekybos centro.
- Pamerkite metalinį alyvos filtrą į karštą vandenį su indų plovimo skysčiu.
- Nuvalykite šepetiu ir palaukite, kol skystis gerai nuvarvės nuo metalinio alyvos filtro. Nuvalytus filtrus gerai išskalaukite.
- Techninės specifikacijos ir ši instrukcija gali būti keičiamos iš anksto neįspėjus.
- Šis prietaisas atitinka Elektros ir elektroninės įrangos atliekų išmetimo kontrolės reglamentą.
- Šis garų rinktuvas yra skirtas naudoti virš kaitlentės. Įsitikinkite, kad siena yra pakankamai tvirta, jog atlaikytų garų rinktuvo svorį. Sienos griovimo arba spintelės pjaustymo ir panašių darbų, kuriuos reikia atlikti norint sumontuoti prietaisą, kaštus turi padengti klientas. Garų rinktuvą galima prijungti prie ortakio, kuriuo įtrauktas oras būtų pašalinamas, arba naudoti atskirai (su anglies filtru). Atkreipkite dėmesį į sunkumus, su kuriais galima susidurti prieš pradėdamontuoti arba montavimo metu. Montavimą turėtų atlikti įgaliotas aptarnavimo atstovas. Montavimo darbus turėtų atlikti ventiliacijos sistemas išmanantis įgaliotas specialistas. Pramonės ministerijos nustatytas prietaiso eksploatavimo laikas (laikotarpis, kurio metu yra tiekiamas tinkamam prietaiso veikimui užtikrinti reikalingos atsarginės dalys) yra 10 (dešimt) metų.

## 4 Valymas ir priežiūra

- Kad pernešimo ir pervežimo metu prietaisas ir jo dalys nebūtų pažeistos, prietaisą būtina laikyti originalioje pakuotėje.
- Pernešimo metu prietaisą laikykite įprastoje padėtyje.
- Nenumeskite prietaiso ir saugokite jį nuo pažeidimų transportavimo metu. Gedimams ir pažeidimams, kurie atsirado transportavimo metu po to, kai prietaisas buvo pristatytas klientui, garantija netaikoma.

## 5 Trikčių šalinimas

<b>Trikčių šalinimas</b>	<b>Priežastis</b>	<b>Pagalba</b>
Gaminys neveikia.	Patikrinkite saugiklį.	Saugiklis gali būti uždarytas, atidarykite jį.
Gaminys neveikia.	Patikrinkite elektros jungtį.	Tinklo įtampa turėtų būti 220 - 240 V.
Gaminys neveikia.	Patikrinkite elektros jungtį.	Patikrinkite, ar kiti jūsų virtuvės gaminiai veikia.
Apšvietimo lemputė neveikia.	Patikrinkite elektros jungtį.	Tinklo įtampa turėtų būti 220 - 240 V.
Apšvietimo lemputė neveikia.	Patikrinkite lemputės jungiklį.	Lemputės jungiklis turėtų būti įjungtas.
Apšvietimo lemputė neveikia.	Patikrinkite lemputes.	Gaminio lemputės neturėtų būti sugedusios.
Gaminio oro įsiurbimas prastas.	Patikrinkite aliuminio filtrą.	Aliuminio alyvos filtrą normaliomis sąlygomis reikia valyti bent kartą per mėnesį.
Gaminio oro įsiurbimas prastas.	Patikrinkite oro išleidimo angą.	Oro išleidimo dūmtakis turėtų būti „įjungtas“ padėtyje.
Gaminio oro įsiurbimas prastas.	Patikrinkite anglies filtrą.	Gaminiams su anglies filtrais paprastai filtrus reikia keisti kas 3 mėnesius.

# Vă rugăm să citiți mai întâi acest manual de utilizare!

Stimate client,

Vă mulțumim pentru că ați ales un produs Beko. Sperăm să obțineți cele mai bune rezultate de la aparatul dumneavoastră, care a fost fabricat la o calitate înaltă și cu tehnologie performantă. Din acest motiv, vă rugăm să citiți cu atenție și în întregime acest manual de utilizare și toate celelalte documente adiționale înainte de a utiliza aparatul, și să le păstrați pentru consultări ulterioare. Dacă transmiteți produsul altei persoane, oferiți-i și manualul de utilizare. Urmați instrucțiunile și acordați atenție tuturor informațiilor și avertismentelor din manualul de utilizare.

Nu uitați că acest manual de utilizare poate fi aplicat și altor modele. Diferențele dintre modele sunt descrise în manual în mod explicit.

## Semnificația simbolurilor

Următoarele simboluri sunt utilizate în diverse părți ale acestui manual de utilizare:



Informații importante și sugestii utile cu privire la utilizare.



**AVERTISMENT:** Avertismente pentru situații periculoase referitoare la siguranța vieții și bunurilor.



Avertisment pentru pericol de incendiu.



Avertisment privind electrocutarea.



Acest produs a fost fabricat în fabrici ecologice moderne, fără a dăuna naturii.

În conformitate cu Directiva DEEE.



Nu conține PCB.

# 1 Instrucțiuni importante referitoare la siguranță și mediul înconjurător

## 1.1 Siguranță generală

Instrucțiuni importante cu privire la siguranță Citiți cu atenție și păstrați-le pentru consultare ulterioară Această secțiune conține instrucțiuni privind siguranța, care vă vor proteja împotriva riscului de incendiu, electrocutare, expunere la scurgeri de microunde, vătămare corporală și pagube materiale. Nerespectarea acestor instrucțiuni atrage anularea garanțiilor acordate.

- Produsele de la Beko sunt conforme standardelor de siguranță aplicabile; din acest motiv, în caz de defectiune a produsului sau a cablului de alimentare, acestea trebuie reparate sau înlocuite de distribuitor, un centru de service sau un service similar specializat și autorizat, pentru evitarea oricărui pericol. Lucrările de reparații greșite sau efectuate de persoane necalificate pot cauza pericole sau riscuri utilizatorului.
- Acest aparat este destinat pentru a fi utilizat în scop casnic și aplicații similare cum ar fi:
  - Bucătării pentru personalul din magazine, birouri sau alte medii de lucru;
  - Ferme
  - De către clienți în hoteluri, moteluri sau alte medii de tip rezidențial;
  - Medii de tip pensiune.
- Utilizați acest produs doar pentru uzul desemnat, așa cum este descris în acest manual.
- Producătorul nu își asumă răspunderea pentru daunele provocate de instalarea incorectă sau utilizarea greșită a produsului.
- Acest aparat poate fi utilizat de către copii cu vârsta minimă de 8 ani și de către persoanele cu capacități fizice, senzoriale sau mentale reduse sau lipsite de experiență și de cunoștințe, dacă aceștia au fost supravegheați sau instruiți cu privire la utilizarea produsului într-un mod sigur și dacă înțeleg pericolele implicate.
- Copiii nu trebuie să se joace cu aparatul. Operațiunile de curățare și întreținere nu trebuie să fie efectuate de către copii fără supraveghere.
- Distanța minimă dintre suprafețele de susținere pentru vasele de gătit de pe plită și partea cea mai joasă a hotei trebuie să fie de 65

# 1 Instrucțiuni importante referitoare la siguranță și mediul înconjurător

cm.

- Dacă instrucțiunile de instalare a plitei cu gaz specifică distanțe mai mari decât cele de mai sus, se vor respecta instrucțiunile respective.
  - Asigurați-vă că tensiunea de alimentare corespunde cu informațiile furnizate pe plăcuța cu date tehnice a produsului.
  - Nu utilizați aparatul atunci când cablul de alimentare sau aparatul în sine este avariata.
  - Nu strângeți, nu îndoiți și nu frecăți cablul de alimentare de margini tăioase, pentru a preveni avariata acestuia. Feriți cablul de alimentare de suprafețele fierbinți și focul deschis.
  - Utilizați produsul doar cu o priză cu împământare.
- AVERTISMENT:** Nu conectați produsul la priza de alimentare înainte de finalizarea instalării.
- Amplasați aparatul astfel încât ștecherul să fie întotdeauna accesibil.
  - Nu atingeți lămpile dacă au funcționat mult timp. Vă pot arde mâinile, deoarece vor fi fierbinți.
  - Respectați reglementările stabilite de autoritățile competente

privind evacuarea aerului rezidual (acest avertisment nu este valabil la utilizarea fără coșul de fum).

- Folosiți produsul după ce ați pus o oală, o tigaie etc. pe plită. În caz contrar, căldura ridicată poate cauza deformări în unele părți ale produsului.
- Opriti plita înainte de a lua oala, tigaia etc. de pe aceasta.
- Nu lăsați ulei fierbinte pe plită. Tigaiele cu ulei fierbinte pot provoca auto-combustia.
- Fiți atenți la perdele și huse, deoarece uleiul poate lua foc în timp ce gătiți alimente cum ar fi cartofi prăjiți.
- Filtrul de grăsime trebuie înlocuit cel puțin lunar. Filtrul de carbon trebuie înlocuit cel puțin o dată la 3 luni.
- Produsul trebuie curățat conform manualului de utilizare. În cazul în care curățarea nu a fost efectuată conform manualului de utilizare, există risc de incendiu.
- Nu folosiți materiale de filtrare care nu sunt rezistente la foc, în locul filtrului actual.
- Utilizați doar componentele originale sau componentele recoman-

# 1 Instrucțiuni importante referitoare la siguranță și mediul înconjurător

date de către producător.

- Nu folosiți produsul fără filtru și nu scoateți filtrele în timp ce produsul funcționează.
- În cazul în care se produce o flacără, opriți alimentarea produsului și aparatele de gătit.
- În cazul în care se produce o flacără, acoperiți flacăra și nu utilizați apă pentru stingere.
- Înainte de fiecare curățare și atunci când produsul nu este folosit, scoateți-l din priză.
- Presiunea negativă în mediu nu trebuie să depășească 4 Pa (4 x 10 bari), în timp ce hota pentru plita electrică și aparatele care funcționează cu un alt tip de energie decât electricitatea funcționează simultan.
- În mediul în care este folosit produsul, evacuarea dispozitivelor care funcționează pe combustibil lichid sau motorină, cum ar fi radiatorul, trebuie să fie complet izolată sau dispozitivul trebuie să fie de tip ermetic.
- La conectarea coșului de evacuare, folosiți țevi cu diametrul de 120 sau 150 mm. Racordul țevelor trebuie să fie cât mai scurt posibil

și să aibă cât mai puține coturi.

**Pericol de sufocare!** Păstrați materialele de ambalare la loc inaccessibil copiilor.

**ATENȚIE:** În timpul utilizării cu aparate de gătit, piesele accesibile se pot încinge.

- Evacuarea hotei nu trebuie să fie conectată la canalele de aer care includ alte tipuri de fum.
- Ventilația în cameră poate fi insuficientă atunci când hota pentru plita electrică este folosită simultan cu dispozitive care funcționează cu gaz sau alți combustibili (nu se aplică neapărat în cazul aparatelor care doar evacuează aerul înapoi în cameră).
- Obiectele plasate pe produs pot să cadă. Nu amplasați nici un obiect pe aparat.
- Nu flambați alimente sub produs.  
**AVERTISMENT:** Îndepărtați foliile de protecție înainte de a instala hota.
- Nu lăsați niciodată focul deschis la intensitate mare sub hotă când aceasta funcționează.
- Friteuzele trebuie supravegheate permanent în timpul folosirii: uleiul supraîncălzit se poate aprinde.

# 1 Instrucțiuni importante referitoare la siguranță și mediul înconjurător

## 1.2 Conformitate cu Directiva DEEE și eliminarea deșeurilor:

Acest produs este conform cu Directiva DEEE a UE (2012/19/EU). Acest produs poartă un simbol

pentru deșuri de echipamente electrice (DEEE).



Acest simbol indică faptul că acest produs nu trebuie eliminat împreună cu alte deșuri menajere la sfârșitul duratei sale de utilizare.

Dispozitivul uzat trebuie returnat către un punct oficial de colectare pentru reciclarea dispozitivelor electrice și electronice. Pentru a găsi aceste sisteme de colectare contactați autoritățile locale sau distribuitorul de la care a fost achiziționat produsul. Fiecare gospodărie are un rol important în recuperarea și reciclarea electrocasnicelor vechi. Eliminarea corespunzătoare a electrocasnicelor uzate ajută la prevenirea posibilelor consecințe negative pentru mediu și sănătatea umană.

## 1.3 Conformitatea cu Directiva RoHS

Produsul pe care l-ați achiziționat este conform cu Directiva RoHS UE (2011/65/UE). Produsul nu conține materiale dăunătoare sau interzise specificate în Directivă.

## 1.4 Informații despre ambalaj



Ambalajul produsului este fabricat din materiale reciclabile, în conformitate cu reglementările naționale de mediu. Nu eliminați ambalajul împreună cu deșeurile menajere sau de alt tip. Transportați-le la punctele de colectare a ambalajelor desemnate

de către autoritățile locale.

## 1.5 Pericol Vital Pericol de otrăvire



Imagine 1: Pericol de otrăvire



Imagine 2: Pericol de otrăvire



# 1 Instrucțiuni importante referitoare la siguranță și mediul înconjurător



## **PERICOL!** **Avertisment - Risc de sufocare.**

Materialele ambalajului sunt periculoase pentru copii. Nu permiteți copiilor să se joace cu ambalajele.



## **PERICOL!** **Avertisment - Pericol de moarte**

Pericol vital, pericol de otrăvire din cauza gazelor de la combustie reabsorbite. La folosirea unui orificiu de evacuare a aerului, nu utilizați aparatul simultan cu obiecte care elimină gaze otrăvitoare, cum ar fi sobe cu circulație a aerului, care funcționează cu gaz, benzină, lemn sau cărbune, sobe de baie, încălzitoare de apă etc., decât dacă e suficient aer. Imagine 3

Obiectele cu circulație a aerului (de ex. sobe care funcționează cu gaz, benzină, lemn sau cărbune, sobe de baie, încălzitoare de apă) extrag aerul din locul de instalare și elimină gazele reziduale prin intermediul unui sistem de gaze reziduale (de ex. coș de fum). Aerul este absorbit de produs în timpul funcționării din bucătărie și camerele vecine. Aspirarea are loc dacă nu este furnizată o cantitate suficientă de aer. În acest caz, gazele otrăvitoare sunt reabsorbite din coșul de fum și conducta de gaze reziduale și revin în casă. Imagine 1

Din acest motiv, trebuie să vă asigurați că există întotdeauna suficient aer curat. Imagine 2

## **AVERTISMENT!** **Pericol de incendiu!**

Reziduurile de ulei din filtrul de ulei pot lua foc. Curățați filtrul de ulei cel puțin o dată pe lună. Produsul nu trebuie folosit fără filtrul de ulei. Schimbați filtrul de cărbune cel puțin o dată la trei luni.

Reziduurile de ulei din filtrul de ulei pot lua foc. Nu lucrați niciodată cu flacăra lângă produs (de ex. flambă). Este permisă instalarea aparatului lângă un echipament de încălzire care este încălzit cu combustibil solid (de ex. lemn sau cărbune) cu condiția să fie închis cu capac care să nu fie detașabil. Nu trebuie să se provoace scântei.

Uleiurile vegetale și grăsimile fierbinți se aprind ușor. Aveți întotdeauna grijă la uleiurile și grăsimile vegetale fierbinți. Nu încercați să stingeți incendiul cu apă.

Opriiți plita. Acoperiți cu atenție flacăra cu un capac, o pătură ignifugă sau un obiect similar.



# 1 Instrucțiuni importante referitoare la siguranță și mediul înconjurător



Plitele cu gaz care nu au ustensile de gătit pe ele generează căldură mare în timpul funcționării. De aceea, un dispozitiv de ventilație pus pe plită se poate strica sau arde. Folosiți plitele cu gaz doar atunci când este o ustensilă de gătit pe ele.

Dacă folosiți mai multe plite de gaz simultan, se produce o căldură foarte mare. De aceea, un dispozitiv de ventilație pus pe plită se poate strica sau arde. Nu folosiți două plite cu gaz la flacăra mare mai mult de 15 minute. Un arzător cu o putere mai mare de 5kW (Wok) este echivalentul unui arzător cu două nivele de gaz.

## **AVERTISMENT!** **Pericol de electrocutare!**

Un produs defect poate produce electrocutarea! Nu folosiți niciun produs defect. Scoateți-l din priză sau scoateți siguranța din cutia de siguranțe. Sunați centrul de asistență clienți.

Reparațiile care nu respectă instrucțiunile reprezintă o amenințare. Reparațiile și schimbarea cablurilor electrice defecte trebuie să se facă doar un tehnician de la servicii pentru clienți instruit de compania noastră. Dacă produsul este defect, scoateți-l din priză sau scoateți siguranța din cutia de siguranțe. Sunați centrul de asistență clienți.

Apa care se scurge în produs poate produce electrocutarea! Nu folosiți aparate de curățare cu presiune mare sau cu aburi.



## **PERICOL!** **Pericol de rănire!**

Există pericolul de rănire în timpul instalării din cauza marginilor ascuțite. Folosiți întotdeauna mănuși de protecție în timpul instalării produsului.

Toate șuruburile și capacele de siguranță trebuie instalate conform instrucțiunilor din manual, din cauza riscului de cădere a produsului.

Obiectele de pe produs pot cădea. Nu puneți obiecte pe produs.

Lumina LED este prea puternică și vă poate vătăma ochii (grupa de pericol 1). Nu priviți direct în lumina LED mai mult de 100 de secunde.



## **ATENȚIE**

În timpul utilizării echipamentului de gătit, piesele accesibile se pot înfierbânta.



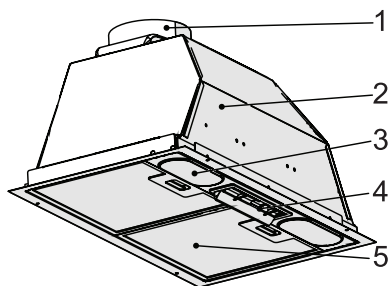
În cazul procedurilor de reparație care nu au fost efectuate în mod corespunzător sau în conformitate cu normele, opriți siguranța sau scoateți produsul din priză. Lucrările de reparații pot fi făcute doar de serviciul autorizat sau personalul calificat autorizat.

În cazul procedurilor de reparație care nu au fost efectuate în mod corespunzător sau în conformitate cu normele, opriți siguranța sau scoateți produsul din priză. Lucrările de reparații pot fi făcute doar de service-ul autorizat sau personalul calificat autorizat.



## 2 Aspect general

### 2.1 Privire de ansamblu



1. Evacuarea aerului.
2. Corpul aparatului
3. Iluminare plită
4. Panou de comandă
5. Filtru de ulei din aluminiu

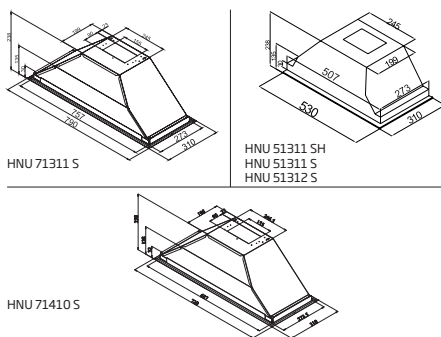
### 2.2 Date tehnice

**CE** Acest produs respectă Directiva Europeană CE 2014/30/UE (Directiva privind Compatibilitatea Electromagnetică) și 2014/35/UE (Directiva privind tensiunea joasă (LVD)).

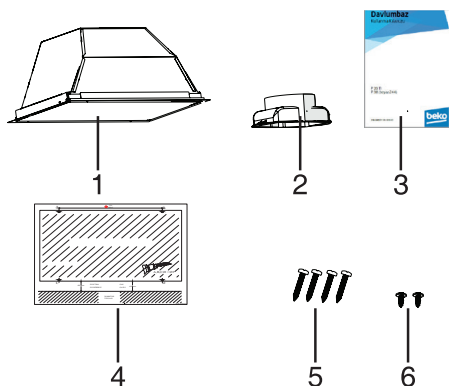
Tensiune de alimentare	220-240V 50 Hz.
Putere lampă (W)	2x3 W
Putere motor (W)	1x185 W
Clasă de izolare motor	F
Clasă de izolare	CLASA I

Modificările tehnice și de proiectare sunt rezervate. Dimensiunile prezentate în desenele tehnice sunt exprimate în mm. Această imagine este furnizată doar pentru informare cu privire la piesele produsului. Piesele pot varia în funcție de modelul produsului. Fotografii sunt doar ilustrative.

### 2.3 Desen tehnic la scară



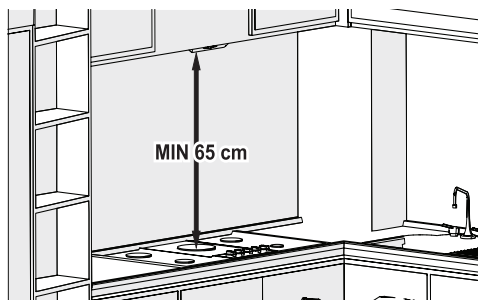
### 2.4 Conținut ambalaj



1. Hotă
2. evacuare din plastic Ø120 mm
3. Manual de utilizare
4. Draft de instalare
5. Șurub 4 X 3,9 X 32 (Folosit pentru instalarea hotei)
6. Șurub 3.5 x 9.5 (Folosit pentru instalarea evacuării din plastic)

## 3 Instalarea și utilizarea produsului

### 3.1 Poziția produsului



- Trebuie să aveți grijă să păstrați distanța dintre plită și hotă înainte de instalare. Distanța trebuie să fie de 65 de cm.
- Trebuie să se măsoare de la suprafața grătarului pe plitele cu gaz și de la suprafața de sticlă pe plitele electrice.



Noul dvs. produs este deosebit de eficient din punct de vedere energetic. Mai jos sunt câteva recomandări despre cum să economisiți mai multă energie în timpul utilizării produsului și cum să distrugeți aparatul într-un mod adecvat.

### 3.2 Acțiuni pentru economisirea energiei;

- Asigurați suficientă admisie a aerului pentru a face hota să funcționeze eficient și cu zgomot redus de funcționare în timpul gătitului.
- Setați nivelul ventilatorului în funcție de densitatea aburului din bucătărie. Folosiți nivelul ridicat doar atunci când este necesar. Un nivel inferior al ventilatorului înseamnă un consum redus de energie.
- Dacă știți că se va face mult fum în bucătărie, selectați dinainte un nivel mai înalt al ventilatorului. Este necesar să lăsați hota să funcționeze mult mai mult timp pentru a elimina fumul deja răspândit în bucătărie.

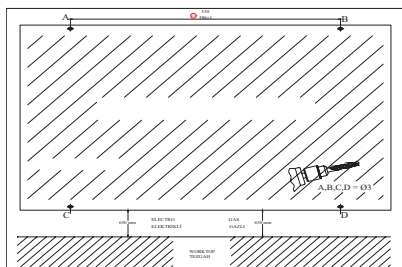
- Oprii hota atunci când nu o folosiți.
- Curățați sau înlocuiți filtrul la intervalele indicate, pentru ca eficiența ventilației să crească, iar pericolul de incendiu să fie eliminat.

### 3.3 Instalarea produsului



#### ATENȚIE

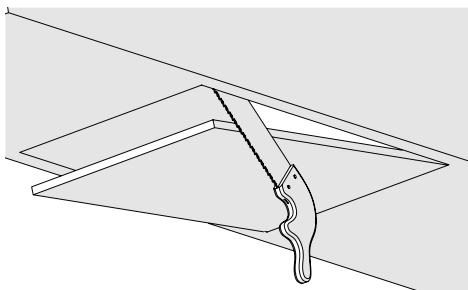
Folosiți mănuși și ochelari de protecție în timpul operațiunilor de găurire și tăiere.



Imagine 6

### 3.4 Efectuarea orificiilor pentru montare.

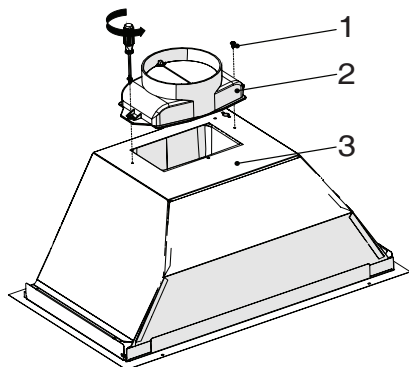
- Fixați șablonul de instalare prevăzut pe suprafața unde se va face instalarea.
- Efectuați orificiile indicate pe șablonul de instalare cu A, B, C, D cu ajutorul unui bit de găurire cu diametrul de 4 mm. Imagine 6



Imagine 7

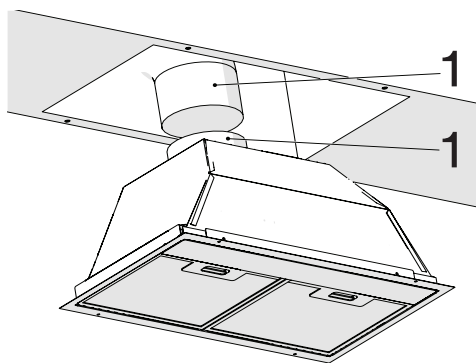
## 3 Instalarea și utilizarea produsului

- Tăiați suprafața inferioară a dulapului unde va fi instalată hota la dimensiunile specificate în desenul tehnic ( Imagine 7).



Imagine 8

1. Șurub 3,5 x 9,5
  2. Evacuare de plastic Ø120 mm
  3. Locașulștiftului vanei principale
- Atașați evacuarea din plastic pe care o găsiți în pachet la corpul aparatului folosind 2 șuruburi 3,5 x 9,5. (Imagine 8) Imagine 8



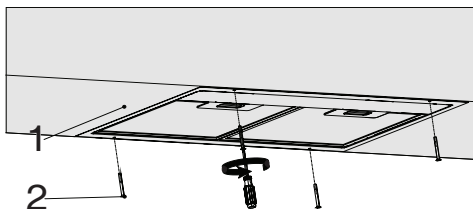
Imagine 9

1. Conductă de eliminare a aerului
  2. Evacuarea aerului a hotei
- Atașați conducta de eliminare a aerului la evacuarea aerului și fixați cu ajutorul clemei (Imagine 9).



### ATENȚIE

Întrucât cotelile evacuării din aluminiu vor cauza scăderea puterii de absorbție a aerului, utilizarea acestora trebuie evitată pe cât posibil.

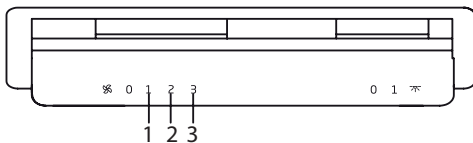


Imagine 10

1. Partea inferioară a dulapului de bucătărie
  2. Șurub pentru instalarea hotei 4 X 3,9 X 32
- Așezați hota în dulapul de bucătărie și atașați hota de cele 4 orificii de montare efectuate înainte ( imaginea 10)

## 3.5 Utilizarea aparatului

### 3.5.1 Utilizarea comutatorului basculant



- Mutați comutatorul în poziția '0' pentru a opri lampa.
- Mutați comutatorul în poziția '1' pentru a porni lampa.
- Mutați comutatorul în poziția '0' pentru a opri motorul.
- Puteți acționa motorul la minim primul nivel de viteză și maxim al treilea nivel de viteză în funcție de densitatea aburului.

## 3 Instalarea și utilizarea produsului

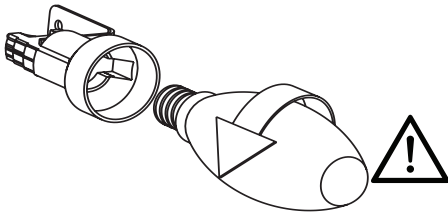
### 3.6 Înlocuirea lămpii

#### 3.6.1 Înlocuirea becului tip lumânare



#### AVERTISMENT

Opriiți sursa de alimentare a hotei. Lămpile vă pot arde mâinile când sunt încă fierbinți, prin urmare, așteptați să se răcească.



Imagine 11: Înlocuirea becului tip lumânare

- Scoateți filtrul din aluminiu al cartușului. Scoateți lampa defectă și înlocuiți-o cu una care are aceeași valoare. Imagine 11



#### REȚINEȚI:

Dacă produsul se strică sau se deteriorează, opriți siguranța sau scoateți aparatul din priză și sunați agentul de service autorizat.



#### REȚINEȚI:

În cazul în care cablul de alimentare este avariât, acesta trebuie să fie înlocuit de către producător, un agent service sau o persoană calificată pentru prevenirea pericolelor.



#### REȚINEȚI:

Închideți siguranța sau scoateți produsul din priză, dacă se strică lămpile produsului. Înlocuiți imediat lămpile stricate pentru a preveni suprasolicitarea lămpilor funcționale (așteptați mai întâi să se răcească).

## 4 Curățare și mentenanță

### PERICOL!

#### Pericol de ardere, pericol de electrocutare!

Așteptați ca produsul să se răcească, înainte de lucrările de curățare sau mentenanță. Oprii siguranța sau scoateți produsul din priză.

Pericolul de deteriorare apare din cauza pătrunderii umidității în părțile electronice. Nu curățați niciodată controlerele cu o cârpă umedă.

Suprafața se poate deteriora din cauza curățării incorecte. Curățați suprafețele din oțel inoxidabil doar în direcția de periaj. Nu folosiți produsele de curățare a oțelului inoxidabil pentru controlere.

Suprafața se poate deteriora din cauza agenților de curățare abrazivi sau de frecare. Nu folosiți niciodată agenți de curățare abrazivi sau de frecare.



### ATENȚIE

Pericol de deteriorare din cauza coroziunii. Produsul trebuie folosit continuu în timp ce gătiți, pentru a preveni formarea condensului. Condensul poate cauza deteriorarea prin coroziune. Înlocuiți imediat lămpile stricate pentru a preveni suprasolicitarea lămpilor funcționale. Pericolul de deteriorare apare din cauza pătrunderii umidității în părțile electronice. Nu curățați niciodată controlerele cu o cârpă umedă. Suprafața se poate deteriora din cauza curățării incorecte. Curățați suprafețele din oțel inoxidabil doar în direcția de periaj. Nu folosiți produsele de curățare a oțelului inoxidabil pentru controlere. Suprafața se poate deteriora din cauza agenților de curățare abrazivi sau de frecare. Nu folosiți niciodată agenți de curățare abrazivi sau de frecare. Există pericolul de deteriorare din cauza refluxului condensului. Instalați conducta de evacuare a aerului cu o pantă de 1°, ușor în josul produsului.



### ATENȚIE

Puteți utiliza acest produs în modul de evacuare a aerului rezidual și în modul de aer recirculat.



### Mod aer rezidual

Aerul absorbit este curățat de filtrele de ulei și expulzat prin intermediul unui sistem de conducte. (Imagine 3) Dacă doriți să transferați aerul rezidual într-un coș de fum sau gaz rezidual dezactivat, trebuie să obțineți permisiunea unui specialist autorizat pentru curățarea coșului de fum. Dacă aerul rezidual este eliminat prin peretele extern, trebuie folosit un cadru de perete telescopic.



## 4 Curățare și mentenanță



Aerul absorbit este curățat de filtrele de ulei și un filtru de carbon activ și retransferat în bucătărie. Imagine 4



### ATENȚIE

Nu spălați niciodată filtrele de carbon. Nu țineți filtrele de carbon la îndemâna copiilor.



### NOTĂ!

Aerul rezidual nu trebuie transferat într-un coș de fum sau gaz sau către un coș folosit pentru ventilarea locurilor unde sunt instalate surse de încălzire.



### ATENȚIE

Copii nu au voie să facă lucrări de curățare sau întreținere fără supraveghere.



Pentru a sigila materialele care provoacă miros în modul de aer recirculat, trebuie să instalați un filtru de carbon activ. Consultați distribuitorul autorizat pentru a afla oportunități diferite de utilizare a produsului în modul de aer recirculat. Puteți cumpăra accesoriile necesare pentru această procedură de la punctele de vânzare relevante, agenții de service autorizați sau centrul de vânzări online.

Produsul pe care l-ați cumpărat este adecvat pentru utilizarea cu filtru de carbon. Pentru a atașa filtrul de carbon;

1- Puneți filtrul de carbon în carcasa sa. Imagine 15/1

2 - Rotiți filtrul de carbon în sensul acelor de ceasornic pentru a vă asigura că este strâns bine. Imagine 15/2



Res.13



Res.14



Res.15



Dacă filtrul de carbon nu este atașat corespunzător, poate cădea și poate deteriora produsul.

- Suprafața se poate deteriora din cauza agenților de curățare abrazivi sau de frecare. Nu folosiți niciodată agenți de curățare abrazivi și de frecare. Cumpărați agenți de curățare și materialele de protecție potrivite pentru produsul dvs. de la serviciul dvs. autorizat. Suprafața produsului și controlerele sunt sensibile la zgâriere.
- Curățați suprafețele cu o cârpă moale și umedă, lichid de spălat vase sau un agent slab de curățare geamuri. Înmuiați murdăria uscată și aderentă cu o cârpă umedă. Nu zgâriați!
- Câpele uscate, bureții care pot zgâria, materialele care necesită frecare, nisipul și alți agenți eficienți de curățare care conțin apă minerală, acid sau clorură nu sunt adecvați.
- Curățați suprafețele din oțel inoxidabil doar în direcția de șlefuire.
- Nu folosiți un agent de curățare oțel inoxidabil sau cârpe ude pentru unitățile de comandă. Curățarea filtrelor de ulei metalice Filtrele de ulei metalice uzate rețin umiditatea generată în bucătărie și particulele oleoase generată în buclă și particulele oleoase din abur. În cazul utilizării regulate (1 - 2 ore pe zi), curățați filtrele de ulei de metal aproximativ o dată la 3 luni.
- Nu folosiți agenți de curățare extrem de eficienți, acidulați sau corozivi.
- Pentru curățarea filtrelor de ulei metalic, folosiți o cârpă umedă pentru a curăța părțile componente ale filtrelor de ulei din interiorul produsului.
- Puteți curăța filtrele de ulei din metal în mașina de spălat vase sau manual.
- Nu aplicați agenți de curățare cu pulverizator direct pe aparat.



## 4 Curățare și mentenanță

- Nu așezați obiecte inflamabile și/sau grele pe aparat.

### 4.1 Spălare în mașina de spălat

- În cazul spălării în mașina de spălat vase, poate apărea o ușoară decolorare. Acest lucru nu afectează funcția filtrului de ulei din metal.
- Nu spălați filtrele de ulei din metal foarte murdare împreună cu vasele.
- Așezați filtrele de ulei din metal în mașina de spălat vase la întâmplare sau liber. Filtrele de ulei din metal trebuie așezate în mașina de spălat vase fără a fi înghesuite.

### 4.2 Spălare manuală

- Puteți folosi un agent special de dizolvare a uleiului pentru murdăria uscată care rezistă. Găsiți acest agent la centrul de vânzări autorizat.
- Înmuiați filtrul de ulei metalic în apă fierbinte care conține lichid de spălat vase.
- Folosiți o perie pentru curățare și așteptați ca lichidul de pe filtrul de ulei din metal să fie bine golit. Clătiți bine filtrele după curățare.
- Specificațiile tehnice și acest manual pot fi modificate fără o notificare prealabilă.
- Acest produs respectă Regulamentul privind supravegherea echipamentelor electrice și electronice uzate.
- Această hotă este concepută pentru a fi utilizată deasupra plitei. Asigurați-vă că peretele poate suporta greutatea hotă. Costurile de strivire, tăiere și proceduri similare care trebuie efectuate pe perete sau în dulap în timpul instalării trebuie să fie suportate de consumator. Hota poate fi utilizată cu coș de evacuare, care evacuează aerul sau fără coș (prin atașarea filtrului de carbon). Fiți atenți la problemele care pot apărea înainte sau în timpul instalării. Instalarea trebuie efectuată de un agent de service autorizat. Instalarea trebuie efectuată de un specialist autorizat care se pricepe la ventilație. Durata de viață a produsului identificată de Ministerul Industriei (perioada de disponibilitate pentru piesele de schimb necesare pentru realizarea funcțiilor produsului) este de 10 (zece) ani.

- Produsul dvs. trebuie păstrat în ambalajul său original pentru a evita deteriorarea componentelor acestuia în timpul manipulării și transportului.
- Păstrați produsul în poziția normală în timpul manipulării.
- Nu scăpați produsul pe jos și protejați-l împotriva deteriorării în timpul transportului. Garanția nu acoperă defectiunile și daunele produse în timpul transportului după livrarea produsului la client.

## 5 Depanarea

Problemă	Cauză	Soluție
Produsul nu funcționează.	Verificați siguranța dvs.	Dacă siguranța dvs. este închisă, deschideți-o.
Produsul nu funcționează.	Verificați conexiunea electrică.	Tensiunea rețelei trebuie să fie între 220 și 240 V.
Produsul nu funcționează.	Verificați conexiunea electrică.	Verificați dacă și celelalte aparate din bucătărie funcționează.
Lampa de iluminare nu funcționează.	Verificați conexiunea electrică.	Tensiunea rețelei trebuie să fie între 220 și 240 V.
Lampa de iluminare nu funcționează.	Verificați comutatorul lămpii.	Comutatorul pentru lampă trebuie să fie în poziția „on” (pornit).
Lampa de iluminare nu funcționează.	Verificați becurile.	Becurile produsului nu trebuie să fie defecte.
Admisia de aer a produsului este slabă.	Verificați filtrul de aluminiu.	În condiții normale de funcționare, filtrul de ulei din aluminiu trebuie curățat cel puțin o dată pe lună.
Admisia de aer a produsului este slabă.	Verificați tubul de evacuare a aerului.	Tubul de evacuare a aerului trebuie să fie în poziția „on” (pornit).
Admisia de aer a produsului este slabă.	Verificați filtrul de carbon.	Pentru produsele cu filtre de carbon, filtrul trebuie schimbat în mod normal la fiecare 3 luni.



# CERTIFICAT DE GARANȚIE

Tensiune de alimentare/frecvență: 220-240V~, 50-60Hz

Importator: ARCTIC S.A., Găești, Dâmbovița, str. 13 Decembrie nr. 210, email: office@arctic.ro

TIP:  Aragaz  Cuptor încorporabil  Plită încorporabilă  Hotă

Model / Serie: .....

## VÂNZĂTOR

Nr. factură: ..... Data: .....

Vânzător (firma, localitatea): .....

## CUMPĂRĂTOR

Nume ..... Localitatea .....

Str. .... Nr. .... Bloc ..... Sc. .... Et ..... Ap. ....

Județ ..... Telefon ..... E-mail .....

S-a efectuat proba de funcționare a aparatului, s-a prezentat modul de folosire, s-au predat instrucțiunile de utilizare și toate accesoriile. Am primit aparatul în perfectă stare de funcționare.

Stimați clienți,

La cumpărare vă recomandăm să solicitați efectuarea probei de funcționare și să verificați existența instrucțiunilor de utilizare și a accesoriilor.

Pentru a putea beneficia de toate avantajele produselor și serviciilor noastre vă rugăm:

- să citiți cu atenție și să respectați recomandările prezentate în "Instrucțiunile de utilizare".
- să păstrați cu grijă acest certificat pentru a-l putea prezenta (împună cu documentul fiscal de achiziție), personalului SERVICE, la orice sesizare efectuată în perioada de garanție.

Vă mulțumim că ați optat pentru cumpărarea unui produs Beko!

**Durata medie de utilizare a produsului este de 10 ani!**

**Perioada de garanție legală de conformitate este de 2 ani de la intrarea produsului în posesia consumatorului.**

Art. 22, alin. 3-6, din L449/2003, modificata de OG 9/2016:

- (3) Timpul de nefuncționare din cauza lipsei de conformitate apărute în cadrul termenului de garanție prelungește termenul de garanție legală de conformitate și cel al garanției comerciale și curge, după caz, din momentul la care a fost adusă la cunoștința vânzătorului lipsa de conformitate a produsului sau din momentul prezentării produsului la vânzător/unitatea service până la aducerea produsului în stare de utilizare normală și, respectiv, al notificării în scris în vederea ridicării produsului sau predării efective a produsului către consumator.

- (4) Produsele de folosință îndelungată care înlocuiesc produsele defecte în cadrul termenului de garanție vor beneficia de un nou termen de garanție care curge de la data preschimbării produsului.

- (5) Produsele de folosință îndelungată defectate în termenul de garanție legală de conformitate, atunci când nu pot fi reparate sau când durata cumulată de nefuncționare din cauza deficiențelor apărute în termenul de garanție legală de conformitate depășește 10% din durata acestui termen, la cererea consumatorului, vor fi înlocuite de vânzător sau acesta va restitui consumatorului contravaloarea produsului respectiv.

- (6) Termenul de garanție curge de la data intrării bunului respectiv în posesia consumatorului, inclusiv pentru bunurile noi de folosință îndelungată, obținute prin tragere la sorți la tombole, câștigate la concursuri și similare sau acordate cu reducere de preț ori gratuit de către operatorii economici.

Garanția oferită de producător nu exclude garanția de viciu ascuns, conform OG 21/1992 (R2) privind protecția consumatorului și Codul Civil.



Service-ul acestui produs este asigurat de ARCTIC S.A. cu sediul în Găești, Dâmbovița, str. 13 Decembrie nr. 210. • \*9010 • www.arctic.ro • www.beko.ro • e-mail: service@beko.ro  
Program Call Center: Luni - Vineri 08:30 - 20:00; Sâmbătă 08:30 - 17:00

## UNITĂȚILE SERVICE ALE ARCTIC S.A. EXECUTĂ REPARAȚII ÎN TERMENUL DE GARANȚIE ȘI ÎN AFARA ACESTUIA

Nr. crt.	Data Reclamației	Data primirii în reparație	Reparat			Reparația curentă și/sau componenta înlocuită	Prelungirea termenului de garanție	Efectuarea verificării	
			Programat	Data ridicării aparatului	Cauza întârzierii			SERVICE	CLIENT

### **CONDITII DE GARANȚIE LEGALĂ DE CONFORMITATE ȘI GARANȚIE COMERCIALĂ:**

Pentru orice defecțiune apărută în perioada de garanție sau post-garanție, apălați la magazinul de unde a fost achiziționat produsul sau direct la Call Center Arctic.

Prelungirea termenului de garanție se va înscris în certificatul de garanție de către unitatea SERVICE care a efectuat reparația.

Garanția acoperă repararea și/sau înlocuirea pieselor constatate ca defecte (necauzate de consumator) de către tehnicienii Service.

Termenul de realizare a operațiilor de reparare, înlocuire sau întreținere este de 15 zile calendaristice de la data la care cumpărătorul a sesizat defecțiunea la magazinul de unde a achiziționat produsul sau direct la Call Center Arctic.

### **Reclamațiile referitoare la aspectele prevăzute mai jos, se rezolvă numai contra cost:**

- a) nefuncționarea lămpilor de iluminare;
- b) accesoriile care nu au defecte ascunse de material constatate de tehnicienii Service;
- c) piesele și accesoriile care prezintă lovituri, zgărieturi, spărturi sau deformări.

### **PRODUSUL NU BENEFICIAZĂ DE GARANȚIE LEGALĂ DE CONFORMITATE ȘI DE GARANȚIE COMERCIALĂ ÎN URMĂTOARELE CAZURI:**

1. Nu au fost respectate instrucțiunile de transport, manipulare, instalare, utilizare și întreținere prescrite.
2. Subansamblurile și accesoriile casabile care se deteriorează în timpul transportului vor fi înlocuite de vânzător (în cazul în care asigură transportul).
3. Garanția nu se acordă subsansamblelor și accesoriilor casabile ale produselor care suferă deteriorări din vina consumatorului.
4. Tensiunea de alimentare are valori care nu se încadrează în limitele prevăzute de standarde (SREN 50160).
5. Instalația electrică a utilizatorului prezintă improvizații sau neconformități.
6. Produsul a fost folosit în alte scopuri decât cel pentru care a fost proiectat.
7. Produsul a suportat intervenții (reparații, modificări) din partea unor persoane neautorizate de producător.

**Drepturile consumatorului sunt cele prevăzute în Legea 449/2003 (republicată) și OG 21/1992 (republicată).**

# ¡Lea el manual de usuario antes de utilizar el aparato!

Estimado cliente:

Gracias por elegir un aparato Beko. Esperamos que obtenga los mejores resultados de su aparato, ya que ha sido fabricado con gran calidad y con tecnología de última generación. Por esta razón, le aconsejamos que lea este manual de usuario y todos los demás documentos adjuntos con atención antes de utilizar el aparato y que los guarde para futuras consultas. Si entrega este aparato a otra persona, proporcionele también el manual de usuario. Siga las instrucciones prestando especial atención a toda la información y advertencias incluidas en el manual de usuario.

Recuerde que este manual de usuario también puede servir para otros modelos. En el manual se describen las diferencias entre los modelos explícitamente.

## Significado de los símbolos

Los siguientes símbolos se usan en las diversas secciones del presente manual de usuario:



Información importante y consejos útiles sobre su uso.



**ADVERTENCIA:** Advertencias de situaciones peligrosas sobre la seguridad de las personas y la propiedad.



Advertencia de peligro de incendio.



Advertencia sobre posibles descargas eléctricas.



Este aparato se ha fabricado en plantas de fabricación modernas y que hacen uso de procesos respetuosos con el medio ambiente.

## 1.1 Seguridad general

Lea las instrucciones importantes de seguridad y guárdelas para su futura consulta

Esta sección contiene instrucciones de seguridad que ayudarán a la protección contra los riesgos de incendio, descargas eléctricas, exposición a la energía de microondas, lesiones personales o daño a la propiedad. El incumplimiento de estas instrucciones anulará cualquier tipo de garantía.

- Los productos Beko cumplen con todas las normas de seguridad aplicables; por ello, si el cable o el aparato presentan daños, deberán ser reparados o sustituidos por el distribuidor, un servicio técnico o una persona cualificada y autorizada para evitar cualquier peligro. Los trabajos de reparación deficientes o realizados por personal no cualificado puede ser peligrosos y entrañar riesgos para el usuario.
- Este aparato está destinado al uso doméstico y aplicaciones parecidas, como por ejemplo:
  - Cocinas para uso del personal de tiendas, oficinas y otros entornos laborales;
  - Casa rurales;
  - Por clientes en hoteles o cualquier otro tipo de entorno residencial;
  - Entornos de tipo «Habitación y desayuno» (Bed and Breakfast).
- Utilice este aparato únicamente para su uso previsto, tal como se describe en este manual.
- El fabricante no se hace responsable de los daños provocados por una instalación incorrecta o un uso inapropiado del producto.
- Este aparato puede ser utilizado por niños mayores de 8 años y por personas con capacidades físicas, sensoriales o mentales reducidas o con falta de experiencia y conocimientos, siempre que estén bajo supervisión o hayan recibido instrucciones pertinentes sobre el uso del aparato de manera segura y comprendan los peligros que conlleva.
- No deje que los niños jueguen con el aparato. La limpieza y mantenimiento del usuario no deben ser realizados por niños sin supervisión.
- La distancia mínima entre la superficie de soporte de los

recipientes para cocinar en los fogones y la parte más baja de su aparato debe ser de al menos 65 cm.

- Si en las instrucciones de instalación de la placa de gas se indica una distancia superior, deberá tenerse en cuenta este hecho.
  - Asegúrese de que la fuente de alimentación cumpla con la información que se indica en la placa de datos del aparato.
  - Nunca utilice el aparato si está dañado el cable de alimentación o el mismo aparato.
  - Evite daños al cable procurando que no sufra tirones, no se doble y no roce con bordes afilados para evitar dañarlo. Mantenga el cable de corriente alejado de superficies calientes y llamas descubiertas.
  - Use el aparato únicamente con un enchufe con toma a tierra.
- ADVERTENCIA:** No conecte el aparato a la red eléctrica antes de que la instalación se haya realizado por completo.
- Coloque siempre el aparato de forma que el enchufe quede a mano.
  - No toque las lámparas si han estado en funcionamiento durante mucho tiempo. Pueden ocasionar quemaduras en las manos ya que estarán calientes.
  - Siga las normas establecidas por las autoridades competentes para la descarga del aire de salida (esta advertencia no es aplicable sin la conexión de la chimenea).
  - Encienda el aparato después de colocar una olla, una sartén, etc., en los fogones. De lo contrario, las altas temperaturas pueden provocar deformaciones en algunas partes del aparato.
  - Apague los fogones antes de retirar las ollas, los sartenes, etc.
  - No deje aceite caliente en los fogones. Las sartenes con aceite caliente pueden ocasionar autocombustión.
  - Preste atención a las cortinas y los estores, ya que, al cocinar platos como patatas fritas, el aceite puede originar un incendio.
  - El filtro antigrasa se debe reemplazar por lo menos una vez al mes. El filtro de carbón se debe reemplazar por lo menos cada 3 meses.
  - El producto se debe limpiar siguiendo las instrucciones del

manual de usuario. Si la limpieza no se ha llevado a cabo siguiendo el manual de usuario, puede haber riesgo de incendio.

- No use materiales filtrantes que no resistan el fuego en vez del filtro actual.
- Utilice únicamente accesorios originales o bien los que recomiende el fabricante.
- No use el aparato sin el filtro y no retire los filtros mientras el aparato esté en funcionamiento.
- En caso de fuego, desactive su producto y los aparatos de cocina.
- En caso de fuego, cubra la llama y nunca utilice agua para apagarlo.
- Desenchufe el aparato antes de cada limpieza y cuando no esté en uso.
- La presión negativa de la estancia no debe superar los 4 Pa (4 x 10 bar) cuando la campana para una placa eléctrica funcione simultáneamente con dispositivos de otro tipo de energía excepto la electricidad.
- En la estancia en donde se encuentra el aparato, el escape de equipos de combustible o gas, como calefactores, deben ser herméticos o estar absolutamente

aislados.

- Para la conexión de la chimenea, use tuberías de 120 o 150 mm de diámetro. La conexión de las tuberías debe ser lo más corta posible y tener la menor cantidad de codos de tubería.

### **¡Peligro de descarga eléctrica!**

Mantenga todos los materiales de embalaje alejados de los niños.

**PRECAUCIÓN:** Las partes accesibles pueden alcanzar temperaturas elevadas al usarse con cocinas.

- El canal de salida del aparato no debe estar conectado a canales de aire por los que pasan humo.
- La ventilación de la estancia puede ser insuficiente cuando la campana extractora para placas eléctricas se utiliza al mismo tiempo que los aparatos que funcionan con gas u otros combustibles (esto puede no ser aplicable a los aparatos que solamente descargan el aire de nuevo en la estancia).
- Los objetos colocados encima del producto pueden caerse. No coloque ningún objeto encima del aparato.
- No flambear debajo del aparato.

**ADVERTENCIA:** Antes de instalar



# 1 Instrucciones importantes para la seguridad y el medio ambiente

la campana, retire las películas protectoras.

- No dejar llamas altas descubiertas debajo de la campana extractora cuando está en funcionamiento
- Las freidoras se deberán vigilar continuamente durante su utilización: el aceite sobrecalentado es inflamable.

## 1.2 De conformidad con la Directiva RAEE y eliminación del producto al final de su vida útil:

Este producto cumple con la Directiva RAEE de la UE (2012/19/UE). Este producto lleva un símbolo de clasificación de residuos de aparatos eléctricos y electrónicos (RAEE).



Este símbolo indica que este producto no debe eliminarse con otros residuos domésticos al final de su vida útil. El aparato usado debe ser devuelto al punto de recogida oficial para el reciclaje de aparatos eléctricos y electrónicos. Para encontrar estos sistemas de recogida, por favor, póngase en contacto con las autoridades locales o con el distribuidor donde se compró el producto. Cada hogar desempeña un papel importante

en la recuperación y el reciclaje de los aparatos viejos.

La eliminación adecuada de los aparatos usados ayuda a prevenir las posibles consecuencias negativas para el medio ambiente y la salud humana.

## 1.3 Conformidad con la Directiva RoHS

El producto que ha adquirido cumple con la Directiva RoHS de la UE (2011/65/UE). No contiene materiales peligrosos ni prohibidos especificados en la Directiva.

## 1.4 Información sobre el embalaje



Los materiales de embalaje del producto están fabricados con materiales reciclables de acuerdo con nuestra Normativa Medioambiental Nacional. No deseche los materiales de embalaje junto con los residuos domésticos o de otro tipo. Llévelos a los puntos de recogida de material de embalaje designados por las autoridades locales.

# 1 Instrucciones importantes para la seguridad y el medio ambiente

## 1.5 Riesgo vital peligro de intoxicación



Fig. 1: Peligro de intoxicación



Fig. 2: Peligro de intoxicación

Objetos con circulación de aire (por ej., estufas a gas, petróleo, leña o carbón calderas) recuperan el aire del lugar donde se encuentran y expulsan los gases residuales a través de un sistema de gases residuales (por ej., una chimenea). Durante su uso, el aparato absorbe el aire de la cocina y de las estancias cercanas. La extracción ocurre si no hay suficiente cantidad de aire. En este caso, los gases tóxicos son absorbidos por el conducto de humos y gases residuales y regresan al hogar. Fig. 1

Por esta razón, debe asegurarse de que el aire limpio se suministre siempre en cantidad suficiente. Fig. 2



### **¡PELIGRO!** **Advertencia - Peligro de asfixia**

Los materiales de embalaje son peligrosos para los niños. No permita que los niños jueguen con el material de embalaje.



### **¡PELIGRO!** **Advertencia - Peligro de muerte**

Riesgo vital, el peligro de intoxicación se produce debido a la reabsorción de los gases de combustión. Para su uso con salida de aire, no encienda el aparato al mismo tiempo que se utilizan objetos que expulsan gases tóxicos, como estufas con circulación de aire a gas, aceite, madera o carbón, estufas de baño, calentadores de agua, etc., a menos que se suministre suficiente aire. Fig. 3



**¡ADVERTENCIA!**  
**¡Peligro de incendio!**

Los sedimentos de aceite en el filtro de aceite pueden provocar un incendio. Limpie el filtro de aceite al menos una vez al mes. No utilice el aparato sin el filtro de aceite. Cambie el filtro de carbón al menos una vez cada tres meses.

Los sedimentos de aceite en el filtro de aceite pueden provocar un incendio. Nunca trabaje con fuego cerca del aparato (por ej., flambeado). Solamente está permitido instalar el aparato cerca de un calentador para combustible sólido (leña o carbón) siempre que tenga una cubierta cerrada no desmontable. No deben saltar chispas.

Los aceites y grasas vegetales calientes se inflaman fácilmente. Siempre se debe prestar atención a los aceites y grasas vegetales calientes. No intente apagar el fuego con agua.

Apague la zona de cocción. Cubra cuidadosamente el fuego con una tapa, una manta contra incendios o un objeto similar.



Los fogones a gas que no tienen encima ningún elemento de cocina generan mucho calor durante el funcionamiento. Por eso, un dispositivo de ventilación colocado encima de la zona de cocción puede dañarse o quemarse. Utilice fogones a gas únicamente con recipientes de cocina encima.

El uso de más de un fogón a gas genera mucho calor. Por eso, un dispositivo de ventilación colocado encima de la zona de cocción puede dañarse o quemarse. No utilice dos fogones a gas a fuego máximo por más de 15 segundos. Un quemador con más de 5 kW (wok) de potencia equivale a un quemador con dos niveles de gas.



**¡ADVERTENCIA!**  
**¡Peligro de descarga eléctrica!**

Un aparato defectuoso puede ocasionar una descarga eléctrica. No utilice ningún aparato defectuoso. Desenchúfelo o apague el fusible de la caja de fusibles. Llame al centro de atención al cliente.

Las reparaciones que no cumplan con las instrucciones pueden ser peligrosas. Las reparaciones y los cambios de los cables eléctricos defectuosos deben realizarse únicamente por nuestros técnicos capacitados de atención al cliente. Si el aparato está dañado, desenchúfelo o apague el fusible desde la caja de fusibles. Llame al centro de atención al cliente.

Una fuga de agua dentro del aparato puede ocasionar una descarga eléctrica. No se deben utilizar limpiadores de alta presión o a vapor.



**¡PELIGRO!**  
**¡Peligro de lesiones!**

Existe peligro de lesiones durante la instalación debido a los bordes afilados. Use siempre guantes protectores durante la instalación del aparato.

Se deben instalar todos los pernos y cubiertas de seguridad descritos en el manual de usuario para evitar la caída del aparato.

Los objetos colocados sobre del aparato puede caerse. No coloque ningún objeto sobre el aparato.

Las luces LED son muy luminosas y pueden dañar los ojos (grupo de riesgo 1). No mire directamente a las luces LED durante más de 100 segundos.



**CUIDADO**

Los mangos y las asas de los elementos de cocina pueden alcanzar temperaturas elevadas al usarse.



En caso de que las reparaciones no se hayan hecho correctamente o sin seguir las instrucciones, por favor apague fusible o desenchufe el aparato. Los trabajos de reparación solo pueden realizarse por el servicio autorizado o por personal cualificado y autorizado.

En caso de que las reparaciones no se hayan hecho correctamente o sin seguir las instrucciones, por favor apague fusible o desenchufe el aparato. Los trabajos de reparación solo pueden ser realizados por el servicio técnico autorizado o por personal cualificado autorizado.



**¡PELIGRO!**  
**¡Peligro de quemaduras,**  
**peligro de descargas**  
**eléctricas!**

Espere a que el aparato se enfríe antes de realizar trabajos de mantenimiento o de limpieza. Apague el fusible o desenchufe el aparato.

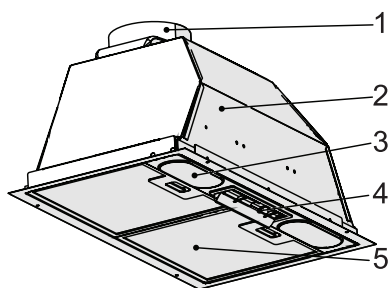
Riesgo de daños por humedad dentro del sistema electrónico. Nunca limpie los controles con un trapo húmedo.

La limpieza inadecuada puede dañar la superficie. Limpie las áreas de acero inoxidable siempre en la misma dirección. No use productos para acero inoxidable para limpiar los controles.

La superficie puede dañarse al usar productos de limpieza abrasivos o corrosivos. Nunca use productos de limpieza abrasivos o corrosivos.

## 2 Apariencia general

### 2.1 Información general



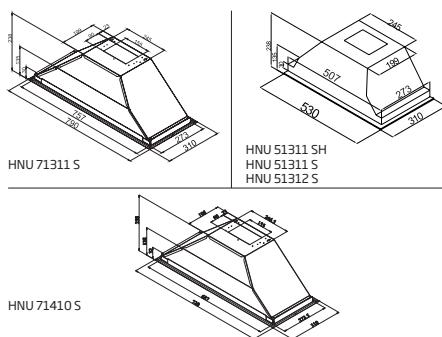
### 2.2 Datos técnicos

**CE** Este aparato cumple con las directivas europeas 2014/30/EU (Directiva de Compatibilidad Electromagnética) y 2014/35/EU Directiva de Baja Tensión (LVD).

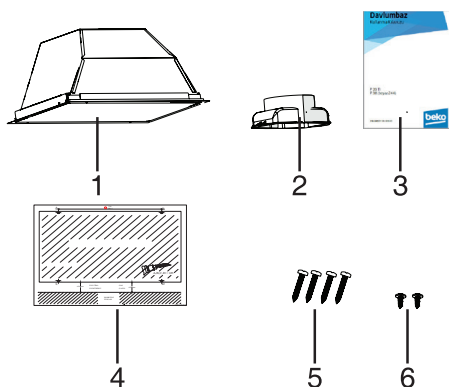
Tensión de alimentación	220-240 V 50 Hz.
Potencia de la iluminación (W)	2 x 3 W
Potencia del motor (W)	1 x 185 W
Clase de aislamiento del motor	F
Clase de aislamiento	CLASE 1

Queda reservado el derecho a modificaciones técnicas y de diseño. Las dimensiones indicadas en los planos técnicos están expresadas en mm, esta imagen se proporciona únicamente para informar sobre las partes del aparato. Las partes pueden variar de acuerdo al modelo del aparato. Las figuras se proporcionan de manera representativa.

### 2.3 Dibujo técnico a escala



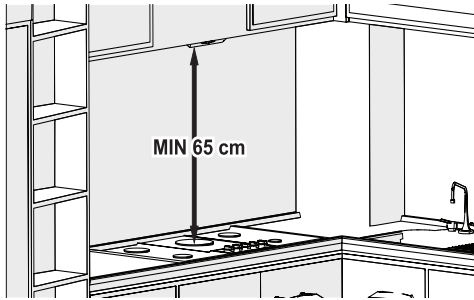
### 2.4 Contenido del paquete



1. Campana extractora
2. Chimenea de plástico de  $\varnothing 120$  mm
3. Manual de usuario
4. Esquema de instalación
5. Tornillo 4 X 3,9 X 32  
(Utilizado para la instalación de la campana extractora)
6. Tornillo 3,5 x 9,5 (Utilizado para la instalación de la chimenea de plástico)

## 3 Instalación y uso del aparato

### 3.1 Posición del aparato



- Se debe prestar atención a la distancia entre la placa de cocción y la campana antes de la instalación. La distancia debe ser de 65 cm.
- La medida debe tomarse desde la superficie de la zona de cocción a gas y desde la superficie de cristal en las placas de cocción eléctricas



Su nuevo producto tiene una alta eficiencia energética. Aquí encontrará algunos consejos sobre cómo ahorrar más energía al utilizar el aparato y cómo destruirlo de forma adecuada.

### 3.2 Cómo ahorrar energía;

- Asegúrese de que la entrada de aire sea suficiente para que la campana funcione eficientemente y con bajo nivel de ruido durante la cocción.
- Ajuste el nivel de ventilación de acuerdo a la cantidad de vapor producido en la cocina. Use el nivel más alto solo cuando sea necesario. Un nivel de ventilación más bajo supone un menor consumo de energía.
- Si se espera un humo denso en la cocina, seleccione un nivel más alto de ventilación con antelación. Es necesario que la campana quede en funcionamiento por más tiempo para eliminar el humo que haya quedado en la cocina.
- Apague la campana cuando no esté en uso.

- Limpie o reemplace el filtro de acuerdo a lo indicado para aumentar la eficiencia de la ventilación y evitar el peligro de incendio.

### 3.3 Instalación del aparato



#### CUIDADO

Use guantes y gafas de protección mientras se realicen tareas de recorte o perforación.

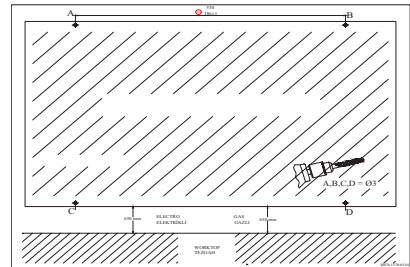


Fig. 6

### 3.4 Perforación de agujeros de montaje

- Pegue la plantilla de instalación suministrada con el aparato sobre la superficie en la que se va a realizar la instalación.
- Perfore los agujeros A, B, C y D indicados en el esquema de instalación utilizando una broca  $\varnothing 4$  mm. Fig. 6

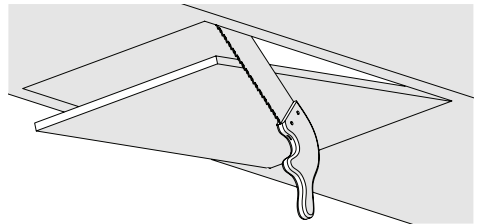


Fig. 7

- Corte la superficie inferior del cuerpo donde se

## 3 Instalación y uso del aparato

instalará la campana en las dimensiones especificadas en el dibujo técnico (Fig. 7).

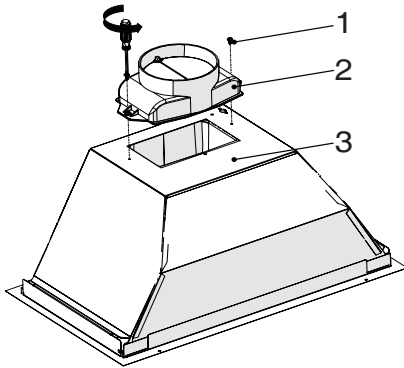


Fig. 8

1. Tornillo 3,5 x 9,5
  2. Chimenea de plástico de Ø120 mm
  3. Cuerpo Enchufe de la campana
- Fije la chimenea de plástico contenida en el paquete al cuerpo del aparato mediante 2 tornillos de 3,5 x 9,5. (Fig. 8) No rozar contra la superficie. Fig. 8

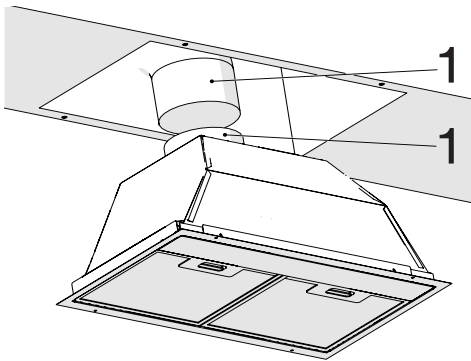


Fig. 9

1. Tubería de salida de aire
  2. Tubería de escape de aire de chimenea de la campana
- Acoplar la tubería de salida de aire a la salida de aire de chimenea y sujetarla con una abrazadera (Fig. 9).



### CUIDADO

Evite doblar la tubería de aluminio o poner codos de tubería tanto como sea posible, ya que esto provocará una disminución de la potencia de succión de aire.

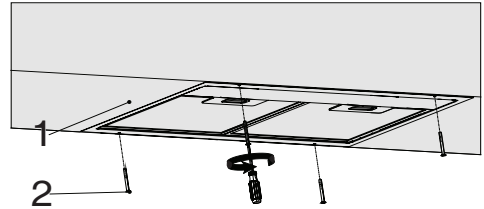
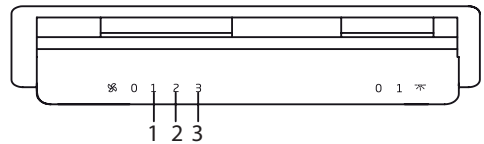


Fig. 10

4. Vista inferior del mueble de cocina
  5. Tornillo de montaje de la campana de 4 X 3,9 X 32
- Coloque la campana en el mueble de la cocina y sujétela a los 4 agujeros de instalación previamente realizados (Fig. 10).

## 3.5 Uso del aparato

### 3.5.1 Uso del interruptor oscilante



- Coloque el interruptor de la lámpara en la posición "0" para apagar la lámpara.
- Coloque el interruptor de la lámpara en la posición "1" para encender la lámpara.
- Coloque el interruptor del motor en la posición "0" para apagar el motor.
- Puede accionar el motor en el primer nivel de velocidad (mínimo) y en el tercer nivel de velocidad (máximo) dependiendo de la densidad del vapor de la cocina.



## 3 Instalación y uso del aparato

### 3.6 Reemplazo de la lámpara

#### 3.6.1 Reemplazo de la bombilla



#### ADVERTENCIA

Corte el suministro de electricidad de la campana. Las lámparas pueden causar quemaduras en las manos mientras estén calientes, así que espere a que se enfríen.

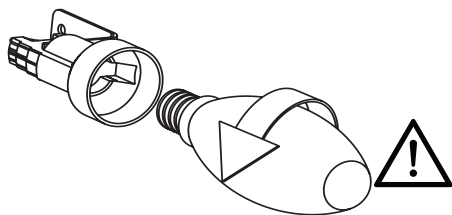


Fig. 11: Reemplazo de la bombilla

- Retire el filtro de cartucho de aluminio. Retire la lámpara defectuosa y reemplácela por una nueva del mismo valor. Fig. 11



#### NOTA:

Si el aparato se rompe o se daña, apague el fusible o desenchufe el aparato y llame al servicio técnico autorizado.



#### NOTA:

Si el cable de alimentación presenta daños, deberá ser sustituido por el fabricante, su agente del servicio técnico o por personal cualificado para evitar cualquier peligro.



#### NOTA:

Apague el fusible o desenchufe el aparato en caso de avería de las lámparas del aparato. Reemplace de inmediato las lámparas defectuosas para evitar que otras lámparas se sobrecarguen (espere a que las lámparas se enfríen primero).

## 4 Limpieza y mantenimiento

### ⚠ CUIDADO

Peligro de daños por corrosión. Encienda el aparato siempre que se esté cocinando para evitar la formación de condensación. La condensación puede provocar daños por corrosión. Reemplace de inmediato las lámparas defectuosas para evitar que otras lámparas se sobrecarguen. El riesgo de daños se produce debido a la infiltración de humedad en la parte electrónica. Nunca limpie los controles con un trapo húmedo. La limpieza inadecuada puede dañar la superficie. Limpie las áreas de acero inoxidable siempre en la misma dirección. No use productos para acero inoxidable para limpiar los controles. La superficie puede dañarse al usar productos de limpieza abrasivos o corrosivos. Nunca use productos de limpieza abrasivos o corrosivos. Existe el riesgo de daños debido al reflujo de condensado. Instale el conducto de salida de aire con una pequeña inclinación hacia abajo (1° de desnivel).



### ⚠ CUIDADO

Este aparato puede utilizarse en modo de aire residual y en modo de recirculación de aire.



### ⚠ Modo de aire residual

El aire aspirado es limpiado por los filtros de aceite y expulsado a través de un sistema de tuberías. (Fig. 3) Si desea transferir el aire residual a un conducto de humos o de gases residuales inhabilitado, deberá obtener el permiso de un especialista autorizado en limpieza de humos. Si el aire residual se expulsa a través de una pared exterior, se debe colocar un soporte de pared retráctil.



El aire aspirado es limpiado por los filtros de aceite y por un filtro de carbón activo y reenviado a la cocina. Fig. 4



### ¡NOTA!

El aire residual no debe pasar por los sistemas de salida de gas residual o de humo, ni tampoco por las tuberías de ventilación de los lugares en donde se encuentran instaladas fuentes de calefacción.



Para neutralizar los olores durante la recirculación de aire, debe instalarse un filtro de carbón activo. Para conocer las diferentes maneras de funcionamiento del aparato en el modo de circulación de aire, consulte a su distribuidor autorizado. Puede comprar los accesorios necesarios para este procedimiento en los puntos de venta correspondientes, agentes de servicio autorizados o centros de venta en línea.

El aparato adquirido es apto para el uso con filtro de carbón. Para montar el filtro de carbono

1- Coloque el filtro de carbón en su compartimento. Fig. 15/1

2- Gire el filtro de carbono en el sentido de las agujas del reloj para asegurarse de que está bien ajustado. Fig. 15/2



Fig. 13



Fig. 14



Fig. 15



Si el filtro de carbón no está instalado correctamente, puede caerse y dañar el producto.

## 4 Limpieza y mantenimiento



### CUIDADADO

Nunca lave los filtros de carbón. Mantenga los filtros de carbón fuera del alcance de los niños.



### CUIDADADO

Los niños no deben realizar tareas de limpieza y mantenimiento sin supervisión.

- La superficie puede dañarse al usar productos de limpieza abrasivos o corrosivos. Nunca use productos de limpieza abrasivos o corrosivos. Compre los productos de limpieza y los materiales de protección adecuados para su aparato a través de su servicio técnico autorizado. La superficie y los controles del aparato se rayan fácilmente.
- Limpie las superficies con un trapo suave y húmedo, detergente líquido o limpiacristales. Elimine la suciedad seca y adherida con un trapo húmedo. ¡No rasque la superficie!
- No son aptos para la limpieza del aparato los trapos secos, estropajos u otros elementos que rayan, productos de limpieza que contengan agua mineral, ácido o cloruro.
- Limpie las superficies de acero inoxidable siempre en la misma dirección.
- No use productos de limpieza para acero inoxidable o trapos húmedos para las unidades de control. Limpieza de los filtros de aceite metálicos - Los filtros de aceite metálicos usados retienen la humedad generada en la cocina y las partículas aceitosas contenidas en el vapor. En caso de uso regular (de 1 a 2 horas al día), limpie los filtros de aceite metálicos aproximadamente una vez cada 3 meses.
- No use agentes de limpieza demasiado eficientes, a base de ácidos o corrosivos.
- Para la limpieza de los filtros de aceite metálicos, use un paño húmedo para limpiar las partes que sostienen los filtros de aceite metálicos dentro del aparato.
- Puede limpiar los filtros de aceite metálicos en el lavavajillas o a mano.
- No rocíe el aparato directamente con productos

de limpieza en spray.

- No coloque artículos decorativos inflamables y/o pesados sobre el aparato.

### 4.1 Lavado en el lavavajillas

- En caso de lavado en el lavavajillas, puede producirse una leve decoloración. Esto no afecta el funcionamiento del filtro de aceite metálico.
- No lave los filtros de aceite metálicos que están muy sucios junto con los platos.
- Coloque los filtros de aceite metálicos en el lavavajillas de forma suelta, sin apretar. Los filtros de aceite metálicos deben colocarse en el lavavajillas sin que estén bloqueados.

### 4.2 Lavado a mano

- Puede utilizar un producto especial que disuelva el aceite para la suciedad incrustada. Este producto puede conseguirse en los centros de venta autorizados.
- Ponga a remojo los filtros de aceite metálicos en agua caliente con detergente para lavavajillas.
- Utilice un cepillo para la limpieza y espere a que el líquido del filtro de aceite metálico se drene bien. Enjuague bien los filtros después de la limpieza.
- Las especificaciones técnicas y este manual pueden modificarse sin previo aviso.
- Este aparato cumple con la Directiva para la Supervisión de Residuos de Aparatos Eléctricos y Electrónicos.
- Esta campana extractora está diseñada para ser utilizada sobre la zona de cocción. Asegúrese de que la pared pueda soportar el peso de la campana. Los costes de la fijación o de acciones similares realizados en la pared o el armario durante la instalación corren por cuenta del cliente. La campana se puede utilizar con un sistema de chimenea que expulsa el aire, o sin chimenea (mediante la fijación del filtro de carbono). Preste atención a las cuestiones que puedan surgir antes o durante la instalación. La instalación debe ser realizada por el servicio técnico autorizado. La instalación debe ser rea-

## 4 Limpieza y mantenimiento

lizada por un especialista autorizado que tenga conocimientos de ventilación. La vida útil del aparato establecida por el Ministerio de Industria (tiempo de disponibilidad de las partes de repuesto necesarios para el funcionamiento del aparato) es de 10 (diez) años.

- El aparato debe guardarse en su embalaje original para evitar que sus componentes se dañen durante su manipulación y transporte.
- Mantenga el aparato en su posición normal durante su manipulación.
- No deje caer el aparato y protéjalo contra daños durante el transporte. La garantía no cubre los desperfectos y daños producidos durante el transporte después de la entrega del aparato al cliente.

## 5 Resolución de problemas

Resolución de problemas	Razón	Ayuda
El producto no funciona.	Revise los fusibles.	Los fusibles podrían estar desconectados, conéctelos.
El producto no funciona.	Revise la conexión eléctrica.	El voltaje de la red eléctrica debe ser entre 220-240 V.
El producto no funciona.	Revise la conexión eléctrica.	Compruebe si otros aparatos de su cocina funcionan.
La lámpara de iluminación no funciona.	Revise la conexión eléctrica.	El voltaje de la red eléctrica debe ser entre 220-240 V.
La lámpara de iluminación no funciona.	Revise el interruptor de la lámpara.	El interruptor de la lámpara debería estar en la posición "on".
La lámpara de iluminación no funciona.	Revise las lámparas.	Las lámparas del producto no deben estar defectuosas.
La entrada de aire del producto es baja.	Revise el filtro de aluminio.	El filtro de aceite de aluminio debe ser limpiado al menos una vez al mes en condiciones normales de uso.
La entrada de aire del producto es baja.	Revise el conducto de ventilación.	El conducto de ventilación debería estar en la posición de encendido "on" .
La entrada de aire del producto es baja.	Revise el filtro de carbón.	En los productos que usen filtros de carbón, el filtro debe cambiarse normalmente cada 3 meses.



**Contacto para asistencia técnica:  
902 877 665/ 932 992 581**

### **CONDICIONES DE GARANTIA - ESPAÑA**

El presente certificado cubre la garantía de reparación de su electrodoméstico durante dos años, a partir de la fecha de venta, contra todo defecto de funcionamiento proveniente de fabricación o materiales; o de sustitución del aparato, salvo que una de estas opciones resulte imposible o desproporcionada respecto de la otra. Cuando usted detecte un defecto o anomalía en el aparato contacte de forma inmediata con nosotros, un plazo de dos meses es el límite para informarnos de la falta de conformidad. El cargo de desplazamiento está incluido en la reparación, excepto para pequeños electrodomésticos que pueden ser transportados al taller del servicio oficial de la marca. En caso de sustitución, el plazo de garantía se suspende y el nuevo aparato mantendrá el periodo de vigencia del aparato sustituido, y como mínimo 6 meses de garantía.

La presente garantía sólo será válida si se presenta factura, ticket de compra o el albarán de entrega del producto correspondiente si éste fuera posterior a la fecha de factura. La presente garantía es válida en el territorio español y portugués para los aparatos distribuidos por Beko Electronics España S.L.. La garantía sólo tendrá validez sobre el primer comprador o adquirente del producto. La garantía será válida para aparatos adecuados a las condiciones climáticas y medioambientales en que estén ubicados.

### **EXCLUSIONES DE LA GARANTIA**

El coste de la reparación será a cargo del usuario en los siguientes casos:

- Los aparatos utilizados para uso profesional o no exclusivamente doméstico, en establecimientos públicos, industriales o comerciales.
- Los aparatos desmontados o manipulados por personas ajenas a los servicios técnicos expresamente autorizados.
- Las instalaciones, transporte, sustitución de aparatos, puestas en marcha, cambio de sentido de puertas.
- Intervenciones de mantenimiento o de información sobre el uso de los aparatos.
- Cambio de inyectoros en aparatos de gas.
- Las averías provocadas por falta de mantenimiento o limpieza o aquellas provocadas por un uso indebido, sobrecarga, abandono o de manera no conforme a las instrucciones de uso o de instalación de los aparatos.
- Las averías producidas por causas fortuitas, siniestros de fuerza mayor o derivados de instalación incorrecta y en general, averías por causas ajenas al propio aparato.
- Las averías provocadas por conexiones que puedan presentar fluctuaciones, irregularidades o falta de uniformidad en el suministro, por ejemplo: suministro de agua impulsado por grupos de presión, energía solar, energía eólica, generadores eléctricos, u otro tipo de suministro no normalizado.
- Los materiales rotos o deteriorados por desgaste o uso normal del aparato tales como juntas, plásticos, gomas, correas, cristales, escobillas, bombillas, asas, tiradores, tapas de quemadores, filtros, rejillas, etc.
- Los aparatos que presenten oxidación, o daños por corrosión en esmaltes o pinturas, que puedan ser provocados por efectos químicos o electroquímicos del agua o cualquier otra sustancia, o aceleradas por circunstancias ambientales o climáticas no propicias.
- Defectos estéticos en serigrafía o pintura.
- Los daños de transporte o manipulación, golpes, etc.
- Los aparatos deben instalarse de forma accesible para su reparación, debiendo asumir el usuario los costes necesarios para el acceso al aparato para su reparación y sustitución.

La presente garantía no afecta a los derechos de que dispone el consumidor conforme a lo previsto en el Real Decreto 1/2007, de 16 de noviembre, por el que se aprueba el texto refundido de la Ley General para la Defensa de los Consumidores y Usuarios y otras leyes complementarias, y la Ley 3/2014 que la modifica.

El Servicio Oficial de Asistencia Técnica resolverá cualquier incidencia que pudiera precisarse su electrodoméstico siempre que el aparato esté instalado de forma accesible.

Para asegurarse que su electrodoméstico va a ser intervenido por un técnico oficial autorizado, rogamos solicite el carnet avalado por ANFEL (Asociación Nacional de Fabricantes de Electrodomésticos) a nuestros técnicos.

Las marcas BEKO, ALTUS, ARDEM, BLOMBERG, NORTLINE y GRUNDIG se distribuyen por Beko Electronics España S.L.

### **DATOS APARATO** (a rellenar por el Distribuidor):

Titular:		Sello Establecimiento:
Modelo:	Núm. serie:	
Establecimiento:	Fecha de compra:	

**El garante e importador de su electrodoméstico es: BEKO ELECTRONICS ESPAÑA S.L. Calle Provenza nº 388 3º Barcelona 08025, España. El producto ha sido fabricado por ARÇELIK A.S (Arçelik A.S.Sütluce Karaağaç Cad. No:2-6 34445 Beyoğlu, Istanbul, Turkey).**

**Conózanos mejor en nuestra página: [www.beko.es](http://www.beko.es). Conserve este documento, es importante para usted.**

# Por favor, leia este manual do utilizador em primeiro lugar!

Prezado Cliente,

Obrigado por preferir este aparelho da Beko. Esperamos que obtenha os melhores resultados com o nosso aparelho que foi fabricado com tecnologia avançada e de alta qualidade. Como tal, leia com atenção todo este manual do utilizador e os outros documentos que o acompanham antes de utilizar o aparelho e guarde-o como referência para uso futuro. Se passar o aparelho para outra pessoa, dê-lhe também este manual do utilizador. Siga as instruções estando atento às informações e avisos no manual do utilizador.

Lembre-se que este manual do utilizador também pode aplicar-se a outros modelos. As diferenças entre modelos são explicitamente descritas no manual.

## Significados dos símbolos

Os seguintes símbolos são usados em várias secções deste manual:



Informações importantes ou dicas úteis sobre a utilização.



**AVISO:** Avisos para situações perigosas relativas à segurança de pessoas e bens.



Aviso sobre perigo de incêndio.



Aviso de choque elétrico.



Este aparelho foi fabricado em instalações modernas e amigas do ambiente sem causar quaisquer danos à natureza.

# 1 Instruções importantes sobre a segurança e ambiente

## 1.1 Segurança geral

Instruções importantes sobre a segurança, leia com cuidado e mantenha para a referência futura. Esta secção contém instruções de segurança que ajudarão a protegê-lo(a) contra o risco de incêndio, exposição a energia de micro-ondas liberada acidentalmente, ferimentos pessoais ou danos à propriedade. O não cumprimento destas instruções invalida a garantia concedida.

- Os produtos Beko estão em conformidade com as normas de segurança aplicáveis; portanto, em caso de qualquer dano no aparelho ou cabo de alimentação, deve ser reparado ou substituído pelo revendedor, centro de assistência ou por uma assistência especializada e autorizada para evitar qualquer perigo. Reparações defeituosas ou não qualificadas podem ser perigosas e constituir riscos para o utilizador.
- Este aparelho destina-se à utilização doméstica e aplicações semelhantes, como por exemplo:
  - Áreas da cozinha dos funcionários em lojas, escritórios e outros ambientes de trabalho;
  - Casas de turismo rural;
- Por clientes em hotéis, pensões e outros tipos de ambientes residenciais;
- Alojamentos do tipo cama e pequeno-almoço.
- Use este aparelho apenas para os fins a que se destina e tal como descrito neste manual.
- O fabricante não se responsabiliza por quaisquer danos resultantes de uma instalação incorreta ou imprópria.
- Este equipamento pode ser usado por crianças com idade de 8 anos ou mais e por pessoas com capacidades físicas, sensoriais ou mentais reduzidas ou com falta de experiência e conhecimento se forem supervisionadas ou que lhes tenha sido dada instrução a respeito da utilização do equipamento de um modo seguro e que compreendam os perigos envolvidos.
- As crianças não devem brincar com o aparelho. A limpeza e a manutenção do utilizador não devem ser realizadas por crianças sem serem supervisionadas.
- A distância mínima entre a superfície de apoio para os recipientes na placa de cozinha e a parte infe-



# 1 Instruções importantes sobre a segurança e ambiente

rior do produto deve ser de 65 cm, no mínimo.

- Se as instruções de instalação para a placa de cozinha a gás especificarem uma distância maior, esta deve ser tida em consideração.
  - Certifique-se de que a alimentação elétrica está em conformidade com as informações fornecidas na placa de dados do aparelho.
  - Nunca utilize o aparelho se o cabo de alimentação ou o próprio aparelho estiverem danificados.
  - Evite danos ao cabo de alimentação, evitando apertá-lo, dobrá-lo ou arrastá-lo sobre extremidades pontiagudas. Mantenha o cabo de alimentação afastado de superfícies quentes e chamas vivas.
  - Apenas utilize o aparelho numa tomada com ligação à terra.
- AVISO:** Não ligue o aparelho à corrente até que a instalação esteja concluída.
- Coloque o aparelho de modo a que a ficha esteja sempre acessível.
  - Não toque nas lâmpadas caso tenham estado acesas durante muito tempo. Estas podem queimar as suas mãos, dado que ficam quentes.
  - Siga os regulamentos estabelecidos pelas autoridades competentes relativos ao ar de exaustão (este aviso não se aplica se o aparelho for utilizado sem chaminé).
  - Utilize o aparelho apenas depois de colocar um tacho, uma frigideira, etc. na placa de cozinha. Caso contrário, o calor excessivo pode deformar algumas partes do aparelho.
  - Desligue a placa de cozinha antes de retirar o tacho, a frigideira, etc.
  - Não deixe óleo quente na placa de cozinha. As frigideiras com óleo quente podem entrar em combustão espontânea.
  - Preste atenção às cortinas e tapas, pois o óleo pode incendiar-se enquanto se cozinha, por exemplo, batatas fritas.
  - O filtro de gordura deve ser substituído, no mínimo, mensalmente. O filtro de carbono deve ser substituído, no mínimo, a cada 3 meses.
  - O aparelho deve ser limpo de acordo com as instruções do manual do utilizador. Pode existir perigo de incêndio caso a limpeza não seja realizada de acordo com as instruções do manual do utilizador.

# 1 Instruções importantes sobre a segurança e ambiente

- Não utilize materiais de filtração que não sejam resistentes ao fogo além do filtro atual.
  - Utilize apenas as peças originais ou peças recomendadas pelo fabricante.
  - Não utilize o aparelho sem o filtro e não retire os filtros durante o funcionamento do aparelho.
  - No caso de deflagrar uma chama, corte a alimentação elétrica do aparelho e dos eletrodomésticos.
  - No caso de deflagrar uma chama, cubra-a e nunca use água para extingui-la.
  - Desligue o aparelho antes de cada limpeza e quando este não estiver a ser utilizado.
  - A pressão negativa no ambiente não deverá exceder 4 Pa (4 x 10 bar) enquanto o exaustor para a placa de cozinha elétrica e os aparelhos alimentados por outro tipo de energia além da eletricidade estiverem a funcionar em simultâneo.
  - No ambiente em que o aparelho está a ser utilizado, a exaustão dos dispositivos que funcionam a óleo combustível ou gás, como é o caso dos aquecedores, deverá ficar totalmente isolada. Caso contrário, o aparelho terá de ser de tipo herético.
  - Ao fazer a ligação à chaminé, utilize tubos com 120 ou 150 mm de diâmetro. A ligação do tubo deve ser o mais curta possível e ter o menor número de curvas possível.
- Perigo de asfixia!** Mantenha todos os materiais da embalagem afastados das crianças.
- ATENÇÃO:** Partes acessíveis podem ficar quentes quando utilizadas com aparelhos de cozinha.
- A saída do exaustor não pode estar ligada aos canais de ar que incluem outros fumos.
  - A ventilação na divisão poderá ser insuficiente quando se utilizar o exaustor para a placa de cozinha elétrica simultaneamente com os dispositivos que funcionam a gás ou outros combustíveis (isto poderá não se aplicar aos aparelhos que apenas fazem o retorno do ar para a divisão).
  - Os objetos colocados em cima do aparelho podem cair. Não coloque quaisquer objetos em cima do aparelho.
  - Não flambeie debaixo do aparelho.
- AVISO:** Remova as películas protetoras antes de instalar a Placa

# 1 Instruções importantes sobre a segurança e ambiente

de cozinha.

- Nunca deixe chamas vivas altas sob o exaustor quando este estiver em funcionamento
- Mantenha as fritadeiras sob controlo durante a utilização: o óleo sobreaquecido pode inflamar-se.

## 1.2 Conformidade com a Diretiva REEE e eliminação do produto residual:

Este produto está em conformidade com a Diretiva REEE da UE (2012/19/UE). Este produto traz um símbolo de classificação para reciclagem de equipamentos elétricos e eletrónicos (REEE).



Este símbolo indica que o produto não deve ser eliminado juntamente com o lixo doméstico no fim da sua vida útil. Os aparelhos usados devem ser levados para um ponto de recolha oficial para a reciclagem de aparelhos elétricos e eletrónicos. Para encontrar estes sistemas de recolha, entre em contacto com as autoridades locais ou com o revendedor através do qual adquiriu o produto. Cada domicílio desempenha um papel fundamental na recolha e reciclagem de aparelhos antigos. A eliminação correta de

aparelhos usados ajuda a prevenir potenciais efeitos negativos ao meio ambiente e à saúde humana.

## 1.3 Conformidade com a Diretiva RoHS

O produto adquirido está em conformidade com a Diretiva RoHS da UE (2011/65/UE). Não contém materiais prejudiciais ou proibidos especificados na Diretiva.

## 1.4 Informação de embalagem



Os materiais para embalagem do produto são fabricados a partir de materiais recicláveis, em conformidade com a nossa Regulamentação

Nacional do Ambiente. Não elimine os materiais da embalagem juntamente com os resíduos domésticos ou outros tipos de resíduos. Leve-os para os pontos de recolha de materiais de embalagem designados pelas autoridades locais.

# 1 Instruções importantes sobre a segurança e ambiente

## 1.5 Risco de morte risco de envenenamento



Fig. 1: Risco de envenenamento



Fig. 2: Risco de envenenamento

Os equipamentos com circulação de ar (por exemplo, fogões que funcionam a gás, óleo, madeira ou carvão, caldeiras, aquecedores de água) recuperam o ar do local de instalação e libertam o gás residual através de um sistema de gás residual (por exemplo, chaminé). O ar é absorvido pelo aparelho durante o funcionamento da cozinha e das divisões contíguas. Ocorre aspiração se não for fornecida uma quantidade de ar suficiente. Neste caso, os gases tóxicos são reabsorvidos da chaminé e da conduta de gás residual e regressam ao local de origem. Fig. 1

Por este motivo, deve garantir-se que se fornece sempre ar limpo suficiente. Fig. 2



### **PERIGO!**

#### **Aviso - Risco de asfixia**

Os materiais de embalagem representam um risco para as crianças. Não deixe que as crianças mexam nos materiais de embalagem.



### **PERIGO!**

#### **Aviso - Perigo de morte!**

Existe o risco de morte e o risco de envenenamento devido à reabsorção dos gases de combustão. Se utilizar o aparelho com uma saída de ar, não o utilize simultaneamente com equipamentos que libertam gases tóxicos, tais como fogões com circulação de ar, que funcionam a gás, óleo, madeira ou carvão, caldeiras, aquecedores de água, etc. exceto se se fornecer ar suficiente. Fig. 3

**AVISO!****Perigo de incêndio!**

Os resíduos de óleo no filtro de óleo podem incendiar-se. Limpe o filtro de óleo pelo menos mensalmente. Não utilize o aparelho sem o filtro de óleo. Mude o filtro de carvão pelo menos trimestralmente.

Os resíduos de óleo no filtro de óleo podem incendiar-se. Nunca cozinhe com chamas perto do aparelho, por exemplo, utilizar a técnica de flamejar. Só é permitido instalar o aparelho perto de um equipamento de aquecimento que seja aquecido através de um combustível sólido (por exemplo, madeira ou carvão) desde que tenha uma tampa fechada que não se possa retirar. Não deverá ocorrer a produção de faíscas.

Os óleos e as gorduras vegetais quentes poderão incendiar-se facilmente. Deve ter-se sempre cuidado com os óleos e as gorduras vegetais quentes. Não apague um incêndio com água.

Desligue a placa de cozinha. Cubra a chama cuidadosamente com uma tampa, uma manta ignífuga ou um objeto semelhante.



As placas a gás que não têm utensílios de cozinha sobre elas geram muito calor durante o funcionamento. Qualquer dispositivo que seja colocado na placa poderá, assim, ficar danificado ou queimar. Utilize placas a gás apenas quando existir um utensílio de cozinha sobre elas.

A utilização de mais do que uma placa a gás ao mesmo tempo gera muito calor. Qualquer dispositivo que seja colocado na placa poderá, assim, ficar danificado ou queimar. Não utilize duas placas a gás com uma chama grande durante mais de 15 minutos. Um queimador com mais de 5 kW (Wok) de potência é equivalente a um queimador com dois níveis de gás.

**AVISO!****Risco de choque elétrico!**

Um aparelho com falhas pode provocar um choque elétrico. Não utilize um aparelho com falhas. Retire a ficha da tomada ou desligue o fusível da caixa de fusíveis. Contacte o centro de assistência técnica ao cliente.

As reparações que não seguem as instruções representam uma ameaça. As reparações e a substituição de cabos elétricos danificados devem apenas ser realizadas por técnicos dos serviços ao cliente com a devida formação dada pela nossa empresa. Se o aparelho tiver falhas, retire a ficha da tomada ou desligue o fusível da caixa de fusíveis. Contacte o centro de assistência técnica ao cliente.

A existência de uma infiltração de água no aparelho pode provocar um choque elétrico. Não podem ser utilizados sistemas de limpeza a vapor ou a alta pressão.

**PERIGO!****Risco de ferimento!**

Existe risco de ferimento durante a instalação devido à presença de extremidades afiadas. Use sempre luvas de proteção durante a instalação do aparelho.

Todos os parafusos e tampas de segurança devem ser instalados de acordo com as indicações fornecidas no manual do utilizador devido ao risco de queda do aparelho.

Os objetos no aparelho poderão cair. Não coloque nenhum objeto sobre o aparelho.

A luz LED é muito forte e poderá ser prejudicial para os olhos (grupo de perigo 1). Não olhe diretamente para a luz LED durante mais de 100 segundos.

**ATENÇÃO!**

As partes acessíveis podem ficar quentes quando utilizadas com equipamentos de cozinha.



No caso de as reparações não terem sido realizadas corretamente ou de acordo com as regras, desligue o fusível ou retire da tomada a ficha do aparelho. Os trabalhos de reparação só poderão ser realizados pela assistência técnica autorizada ou por uma pessoa qualificada devidamente autorizada.

No caso de as reparações não terem sido realizadas corretamente ou de acordo com as regras, desligue o fusível ou retire da tomada a ficha do aparelho. Os trabalhos de reparação só poderão ser realizados pela assistência técnica autorizada ou por uma pessoa qualificada devidamente autorizada.



## **PERIGO!**

### **Risco de queimadura e risco de choque elétrico!**

Aguarde que o aparelho arrefeça antes de o limpar ou de fazer a sua manutenção. Desligue o fusível ou retire da tomada a ficha do aparelho.

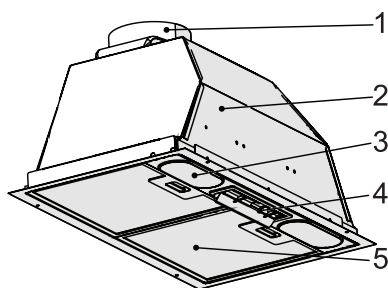
Existe risco de danos devido à entrada de humidade nas partes eletrónicas. Nunca limpe os controladores com um pano molhado.

A superfície poderá ficar danificada se for limpa incorretamente. Limpe as superfícies de aço inoxidável apenas na direção de escovação. Não utilize produtos de limpeza de aço inoxidável nos controladores.

A superfície poderá ficar danificada devido à utilização de agentes de limpeza abrasivos ou de polimento. Nunca utilize agentes de limpeza abrasivos ou de polimento.

## 2 Aparência geral

### 2.1 Visão geral



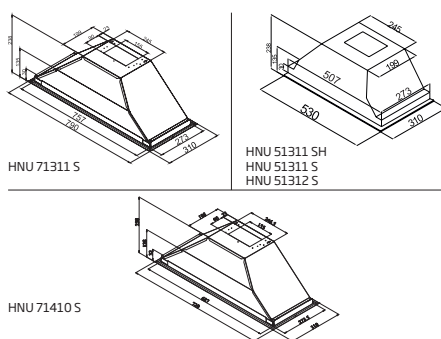
### 2.2 Dados técnicos

**CE** Este aparelho está em conformidade com a Diretiva CE n.º 2014/30/UE (Diretiva relativa à Compatibilidade Eletromagnética) e com a Diretiva 2014/35/UE (Diretiva de Baixa Tensão (LVD)).

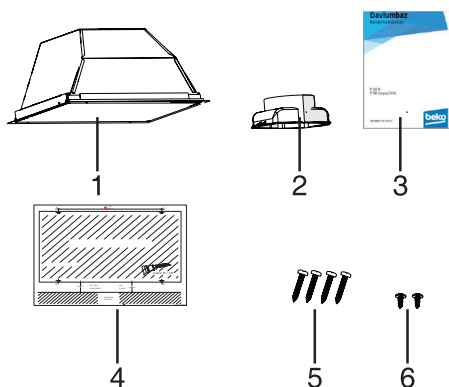
Tensão de alimentação	220-240V 50 Hz.
Potência da lâmpada (W)	2x3 W
Potência do motor (W)	1x185 W
Classe de isolamento do motor	F
Classe de isolamento	CLASSE I

Estão reservadas as modificações técnicas e de design. As dimensões apresentadas nos desenhos técnicos são indicadas em milímetros. Esta imagem apenas é fornecida para apresentar as peças do aparelho. As peças podem variar consoante o modelo do aparelho. As figuras são apresentadas para fins meramente ilustrativos.

### 2.3 Desenho técnico à escala



### 2.4 Conteúdo da embalagem

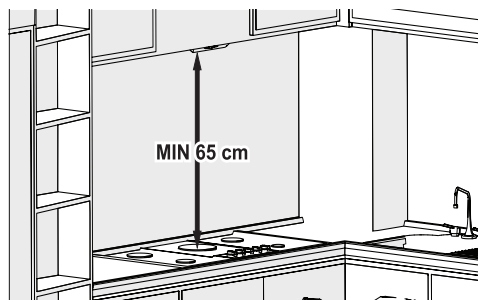


1. Exaustor
2. Chaminé de plástico de  $\varnothing 120$  mm
3. Manual do utilizador
4. Projeto de instalação
5. Parafuso 4 X 3,9 X 32  
(utilizado para instalação do exaustor)
6. Parafuso 3,5 X 9,5  
(utilizado para instalação da chaminé de plástico)



## 3 Instalação e utilização do aparelho

### 3.1 Posição do aparelho



- Deve prestar-se atenção à distância entre a placa elétrica e o exaustor antes da instalação. A distância deve ser de 65 cm.
- Deve medir-se desde a superfície de grelhar das placas elétricas a gás e desde a superfície de vidro das placas elétricas.



O seu novo aparelho é eficiente em termos energéticos. Vai encontrar aqui alguns conselhos sobre como poupar mais energia enquanto utiliza o aparelho e como destruir o aparelho da forma correta.

### 3.2 O que fazer para poupar energia;

- Certifique-se de que existe entrada de ar suficiente para que o exaustor funcione de forma eficiente e com um baixo nível de ruído enquanto cozinha.
- Defina o nível do ventilador de acordo com a densidade de vapor na cozinha. Defina para um nível elevado apenas quando for necessário. Se definir o ventilador para um nível mais baixo, o consumo de energia é menor.
- Se se esperar fumo denso na cozinha, seleccione antecipadamente um nível mais elevado do ventilador. É necessário que o exaustor funcione durante muito mais tempo para remover o fumo já espalhado pela cozinha.

- Desligue o exaustor quando não o estiver a utilizar.
- Limpe ou substitua o filtro de acordo com os intervalos indicados. Desta forma, a eficiência da ventilação aumenta e elimina-se o risco de incêndio.

### 3.3 Instalação do aparelho



#### ATENÇÃO!

Use luvas e óculos de proteção durante as operações de perfuração e corte.

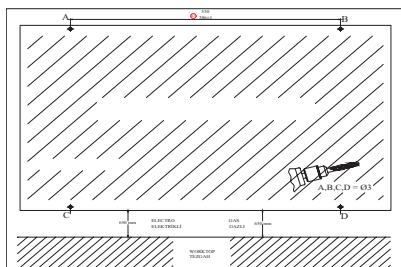


Fig. 6

### 3.4 Fazer furos para a montagem

- Siga o modelo de instalação fornecido com o aparelho na superfície onde vai ser feita a instalação.
- Faça os furos indicados no projeto de instalação com A, B, C e D e utilize brocas de 4 mm de diâmetro. Fig. 6

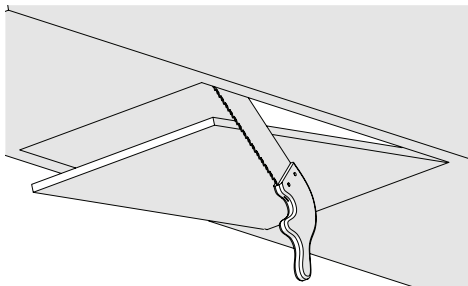


Fig. 7

## 3 Instalação e utilização do aparelho

- Corte a parte inferior do armário onde será instalado o exaustor, com as dimensões especificadas no desenho técnico (Fig. 7).

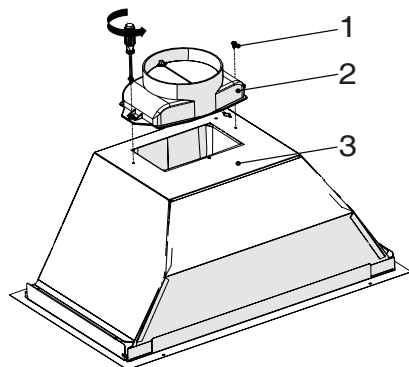


Fig. 8

1. Parafuso 3,5 X 9,5
  2. Chaminé de plástico de Ø120 mm
  3. Conector de pinos da válvulo do corpo
- Encaixe a chaminé de plástico contida na embalagem ao corpo do aparelho utilizando 2 parafusos 3,5 X 9,5. (Fig. 8) Não fricção contra a superfície. Fig. 8

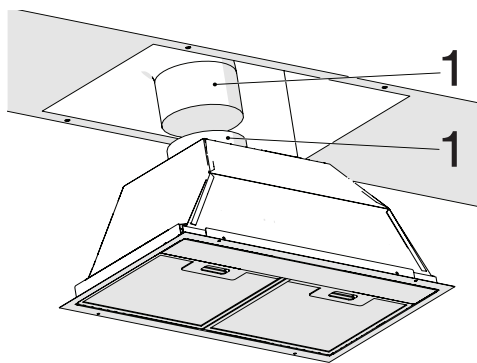


Fig. 9

1. Tubo de saída de ar
  2. Chaminé da saída de ar do exaustor
- Encaixe o tubo de saída de ar à chaminé da saída de ar e aperte com uma braçadeira (Fig. 9).



### ATENÇÃO!

Como as curvas e os cotovelos no tubo de alumínio vão diminuir o poder de sucção do ar, deve evitar-se utilizá-los o máximo possível.

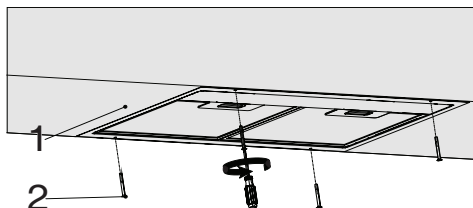
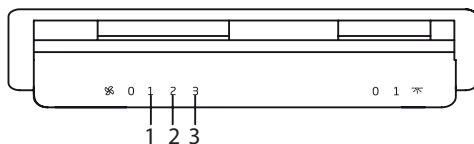


Fig. 10

1. Vista de baixo do armário de cozinha
  2. Parafuso de instalação do exaustor 4 X 3,9 X 32
- Coloque o exaustor no armário de cozinha e encaixe o exaustor nos 4 orifícios de instalação perfurados anteriormente (Fig. 10).

## 3.5 Utilização do aparelho

### 3.5.1 Utilização do interruptor basculante



- Coloque o interruptor de luz na posição "0" para desligar a lâmpada.
- Coloque o interruptor de luz na posição "1" para ligar a lâmpada.
- Coloque o interruptor de luz na posição "0" para desligar o motor.
- Pode utilizar o motor no mínimo no nível de velocidade 1 e no máximo no nível de velocidade 3 de acordo com a densidade do vapor do cozinhado.

## 3 Instalação e utilização do aparelho

### 3.6 Substituição da lâmpada

#### 3.5.1 Substituição das velas



#### AVISO

Corte a alimentação do exaustor. As lâmpadas podem queimar as suas mãos se estiverem quentes, por isso, aguarde que arrefeçam.

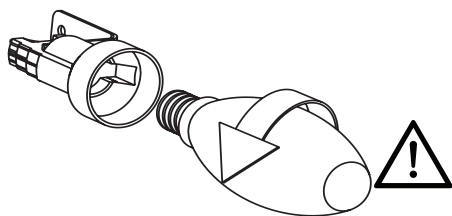


Fig. 11: Substituição das velas

- Remova o filtro do cartucho de alumínio. Remova a lâmpada fundida e substitua-a por uma com o mesmo valor. Fig. 11



#### NOTA:

Se o aparelho se partir ou ficar danificado, desligue o fusível ou retire da tomada a ficha do aparelho e contacte o agente de serviço autorizado.



#### NOTA:

Se o cabo de alimentação estiver danificado, tem de ser substituído pelo fabricante, pelo agente de serviço ou por uma pessoa igualmente qualificada para evitar perigos.



#### NOTA:

Desligue o fusível ou retire da tomada a ficha do aparelho no caso de as lâmpadas do aparelho se partirem. Substitua imediatamente as lâmpadas fundidas para evitar a sobrecarga de outras lâmpadas (aguarde primeiro que as lâmpadas arrefeçam).

## 4 Limpeza e manutenção

### ATENÇÃO!

Risco de danos devido a corrosão. Utilize sempre o aparelho enquanto estiver a cozinhar para evitar a formação de condensação. A condensação pode provocar corrosão. Substitua imediatamente as lâmpadas fundidas para evitar a sobrecarga de outras lâmpadas. Existe risco de danos devido à entrada de humidade nas partes eletrónicas. Nunca limpe os controladores com um pano molhado. A superfície poderá ficar danificada se for limpa incorretamente. Limpe as superfícies de aço inoxidável apenas na direção de escovação. Não utilize produtos de limpeza de aço inoxidável nos controladores. A superfície poderá ficar danificada devido à utilização de agentes de limpeza abrasivos ou de polimento. Nunca utilize agentes de limpeza abrasivos ou de polimento. Existe risco de danos devido ao refluxo da condensação. Instale a conduta da saída de ar com uma inclinação ligeiramente descendente (1°) em relação ao aparelho.



### ATENÇÃO!

Pode utilizar este aparelho no modo de ar residual e no modo de circulação de ar.



### Modo de ar residual

O ar absorvido é limpo através de filtros de óleo e libertado através de um sistema de tubagem. (Fig. 3) Se pretender transferir o ar residual para uma chaminé desativada de extração de fumos ou gás residual, tem de pedir a um especialista de limpeza de chaminés autorizado. Se o ar residual for libertado sobre a parede exterior, deve utilizar-se uma estrutura de parede telescópica.



O ar absorvido é limpo através dos filtros de óleo e de um filtro de carvão ativado, sendo depois transferido novamente para a cozinha. Fig. 4



### NOTA!

O ar residual não deve ser transferido para uma chaminé de extração de fumos ou de gás residual, nem para uma chaminé utilizada para a ventilação dos espaços onde estão instaladas fontes de aquecimento.



Para vedar os materiais que geram maus odores no modo de ar circulante, deve instalar um filtro de carvão ativado. Contacte um revendedor autorizado para ficar a conhecer as várias possibilidades de utilizar o aparelho no modo de ar circulante. Pode comprar os acessórios necessários para a realização deste procedimento através de pontos de venda relevantes, de agentes de serviço autorizados ou do centro de vendas online.

O aparelho que adquiriu é adequado para ser utilizado com um filtro de carvão. Para instalar o filtro de carvão:

1 - Coloque o filtro de carvão no respetivo alojamento. Fig. 15/1

2 - Rode o filtro de carvão para no sentido dos ponteiros do relógio para garantir que ficou bem encaixado. Fig. 15/2



Fig. 13



Fig. 14



Fig. 15

## 4 Limpeza e manutenção



Se o filtro de carvão não for instalado corretamente, pode cair e danificar o seu aparelho.



### ATENÇÃO!

Nunca lave os filtros de carvão. Mantenha os filtros de carvão afastados das crianças.



### ATENÇÃO!

A limpeza e a manutenção não devem ser realizadas por crianças sem serem supervisionadas.

- A superfície poderá ficar danificada devido à utilização de agentes de limpeza abrasivos ou de polimento. Nunca utilize agentes de limpeza abrasivos e de polimento. Adquirir os agentes de limpeza e materiais de proteção adequados ao seu aparelho através do serviço autorizado. A superfície do aparelho e os controladores ficam facilmente riscados.
- Limpe as superfícies com um pano macio humedecido, com um detergente da louça ou com um limpavidros suave. Amoleça a sujidade seca e incrustada com um pano humedecido. Não raspe!
- Não se devem utilizar panos secos, esponjas que possam riscar, produtos que tenham de ser esfregados, lixas ou outros agentes de limpeza eficazes que contêm água mineral, ácido ou cloratos.
- Limpe as superfícies de aço inoxidável apenas na direção de polimento.
- Não use agentes de limpeza de aço inoxidável ou panos molhados nas unidades de controlo. Limpeza dos filtros de óleo metálicos Os filtros de óleo metálicos usados conservam a humidade gerada na cozinha e as partículas oleosas contidas nos vapores. No caso de uma utilização regular (1 a 2 horas por dia), limpe os filtros de óleo metálicos cerca de uma vez a cada 3 meses.
- Não utilize agentes de limpeza demasiado eficazes, acidificados ou corrosivos.
- Para a limpeza dos filtros de óleo metálicos, uti-

lize um pano humedecido para limpar as partes de fixação dos filtros de óleo metálicos no interior do aparelho.

- Pode limpar os filtros de óleo metálicos na máquina de lavar louça ou à mão.
- Não pulverize agentes de limpeza diretamente sobre o aparelho.
- Não coloque artigos inflamáveis e/ou decorativos pesados no aparelho.

### 4.1 Lavagem na máquina de lavar louça

- No caso de lavagem na máquina de lavar louça, poderá ocorrer uma ligeira descoloração. Contudo, isto não afeta a função do filtro de óleo metálico.
- Não lave filtros de óleo metálicos muito sujos juntamente com os pratos.
- Coloque os filtros de óleo metálicos na máquina de lavar louça separados. Os filtros de óleo metálicos devem ser colocados na máquina de lavar louça sem ficarem comprimidos.

### 4.2 Lavagem à mão

- Pode usar um agente especial dissolvente de óleo para a sujidade difícil de remover. Pode adquirir este agente ao centro de vendas autorizado.
- Amoleça o filtro de óleo metálico em água quente com detergente da louça.
- Utilize uma escova para limpar e aguarde que o líquido no filtro de óleo metálico escorra bem. Enxague bem os filtros depois de limpar.
- As especificações técnicas e este manual poderão sofrer alterações sem aviso prévio.
- Este aparelho está em conformidade com o Regulamento para a Gestão dos Resíduos de Equipamentos Elétricos e Eletrónicos.
- Este exaustor destina-se a ser utilizado sobre a placa elétrica. Certifique-se de que a parede consegue suportar o peso do exaustor. O consumidor deverá suportar os custos de partir e abrir a parede ou o armário, bem como suportar o custo de outros procedimentos semelhantes, durante a instalação. O exaustor poderá ser utilizado com um sistema de chaminé que

## 4 Limpeza e manutenção

liberta o ar ou sem chaminé (através da instalação do filtro de carvão). Preste atenção aos problemas que poderão surgir antes ou durante a instalação. A instalação deverá ser realizada pelo agente de serviço autorizado. A instalação deverá ser realizada por um especialista autorizado com conhecimentos sobre ventilação. A vida útil do aparelho identificado pelo Ministério da Indústria (período de disponibilidade das peças sobresselentes necessárias para o desempenho das funções do aparelho) é de 10 (dez) anos.

- Deve manter o aparelho na sua embalagem original para evitar danos nos componentes durante o manuseamento e o transporte.
- Mantenha o aparelho na sua posição normal durante o manuseamento.
- Não deixe o aparelho cair e proteja-o contra danos durante o transporte. A garantia não cobre falhas nem danos ocorridos durante o transporte após a entrega do aparelho ao cliente.

## 5 Resolução de problemas

Resolução de problemas	Razão	Ajuda
O produto não funciona.	Verificar os fusíveis.	O fusível pode estar desativado, ative-o.
O produto não funciona.	Verificar a instalação elétrica.	A tensão de rede deve ser entre 220 e 240 V.
O produto não funciona.	Verificar a instalação elétrica.	Verificar se outros produtos na cozinha estão a funcionar ou não.
A lâmpada de iluminação não funciona.	Verificar a instalação elétrica.	A tensão de rede deve ser entre 220 e 240 V.
A lâmpada de iluminação não funciona.	Verificar o interruptor da lâmpada.	O interruptor da lâmpada deve estar na posição "ligado".
A lâmpada de iluminação não funciona.	Verificar as lâmpadas.	As lâmpadas do produto não devem estar avariadas.
A entrada de ar do produto é fraca.	Verificar o filtro de alumínio.	O filtro de óleo de alumínio deve ser limpo pelo menos uma vez por mês em condições normais.
A entrada de ar do produto é fraca.	Verificar a conduta de saída de ar.	O interruptor da conduta de saída de ar deve estar na posição "ligado".
A entrada de ar do produto é fraca.	Verificar o filtro de carvão.	Para produtos com filtros de carvão, normalmente o filtro deve ser trocado a cada 3 meses.



**Contacte a assistência técnica:  
00351 225191300/  
00351 225191309**

#### **CONDIÇÕES DE GARANTIA - PORTUGAL**

Este certificado cobre a garantia de reparação do seu eletrodoméstico por dois anos a contar da data de compra, contra defeitos de funcionamento provenientes do fabrico ou dos materiais; ou de substituição do dispositivo, a menos que uma dessas opções seja impossível ou desproporcionada em relação à outra. Quando detetar um defeito ou anomalia no aparelho entre imediatamente em contacto connosco, existe um prazo limite de dois meses para nos informar sobre a falta de conformidade. O valor da deslocação está incluído na reparação, com exceção de pequenos aparelhos que podem ser transportados para a oficina do serviço oficial da marca. Em caso de substituição, o período de garantia fica suspenso e o aparelho irá manter o prazo de validade do aparelho substituído e no mínimo 6 meses de garantia.

Esta garantia só será válida se a fatura, recibo de venda ou a entrega do produto em questão for posterior à data da fatura. Esta garantia é válida em território espanhol e português para aparelhos distribuído pela Beko Electronics Espanha S.L. A garantia só é válida para o primeiro comprador ou adquirente do produto. A garantia é válida para dispositivos adaptados às condições climáticas e ambientais em que se situam.

#### **EXCLUSÕES DA GARANTIA**

O custo da reparação será pago pelo utilizador nos seguintes casos:

- Aparelhos utilizados para uso profissional ou não exclusivamente doméstico, em estabelecimentos comerciais, industriais ou públicos.
- O equipamento desmontado ou adulterado por alguém que não seja expressamente autorizado pelos serviços técnicos.
- A instalação, transporte, substituição de equipamento, colocação em funcionamento, alteração do sentido das portas.
- Intervenções de manutenção ou informações sobre a utilização dos aparelhos.
- Alteração de injetores em aparelhos a gás.
- As avarias causadas pela falta de manutenção ou limpeza, ou aquelas causadas por um uso inadequado, sobrecarga, abandono ou de forma a não respeitar as instruções de uso ou instalação dos aparelhos.
- As avarias provocadas por causas acidentais, sinistros de força maior ou resultantes de instalação inadequada e em geral, avarias por razões não relacionadas com o produto.
- As avarias causadas por ligações que podem apresentar flutuações, irregularidades ou falta de uniformidade no fornecimento, por exemplo: abastecimento de água, impulsionado por pressão, energia solar, energia eólica, geradores de energia elétrica ou outro tipo de fornecimento não-padrão.
- Os materiais quebrados ou danificados por desgaste ou uso normal do aparelho tais como juntas, plásticos, borracha, correias, vidros, pincéis, lâmpadas, asas, puxadores, tampas de queimadores, filtros, grades, etc.
- Os aparelhos que apresentem oxidação, ou danos por corrosão em esmaltes ou tintas, que possam ter sido causados por efeitos químicos ou eletroquímicos da água ou de qualquer outra substância, ou aceleradas por circunstâncias ambientais ou climáticas não propícias.
- Defeitos estéticos em serigrafia ou pintura.
- Os danos causados por transporte ou manuseio, colisões, etc.
- Os aparelhos devem ser instalados de forma acessível em caso de reparação e o utilizador deve assumir os custos necessários para aceder ao aparelho para reparação e substituição.

As marcas BEKO, ALTUS, ARDEM, BLOMBERG, NORTLINE e GRUNDIG são distribuídas por Beko Electronics Espanha S.L.

#### **DADOS DO APARELHO (a ser preenchido pelo Distribuidor):**

Detentor:		Carimbo do estabelecimento:
Modelo:	N.º série:	
Estabelecimento:	Data de compra:	

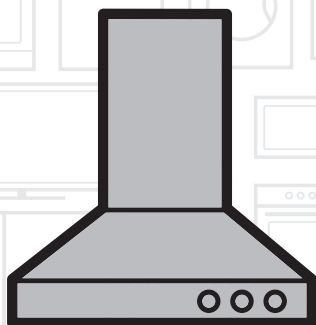
**O fiador e o importador do seu eletrodoméstico é: BEKO ELECTRONICS ESPAÑA S.L. Calle Provenza nº 388 3º Barcelona 08025, Espana. O produto foi fabricado por ARÇELIK A.S (Arçelik A.S.Sütluce Karaağaç Cad. No:2-6 34445 Beyoğlu, Istanbul, Turquia).**

**Conheça-nos melhor na nossa página: [www.beko.es](http://www.beko.es). Conserve este documento, é importante para si.**



# Бытовая кухонная вытяжка

## Инструкция по эксплуатации



HNU51311SH HNU71311S  
HNU51311S HNU51312S  
HNU71410S

**RU** |

01M-8808823200-2020-03  
01M-8808833200-2020-03  
01M-8808843200-2020-03  
01M-8808853200-2020-03  
01M-8894943200-2020-03

**beko**

# Ознакомьтесь с этим руководством перед началом эксплуатации!

Уважаемый покупатель!

Благодарим вас за выбор этого изделия компании Веко. Мы надеемся, что продукция, изготовленная на современном оборудовании и имеющая высокий уровень качества, будет служить вам наилучшим образом. Для этого перед началом эксплуатации внимательно прочитайте данное руководство и все прочие сопроводительные документы и используйте их в дальнейшем в справочных целях. При передаче устройства другому лицу необходимо также передать эту инструкцию. Соблюдайте указания, которые даны в этой инструкции по эксплуатации, и обращайтесь особое внимание на справочные пометки и предупреждения.

Имейте в виду, что данная инструкция по эксплуатации может также распространяться на другие модели. Различия между моделями четко описаны в инструкции.

## Условные обозначения

В разных разделах данного руководства по эксплуатации используются следующие символы:



Важная информация и полезные советы по эксплуатации.



**ПРЕДУПРЕЖДЕНИЕ:** Предупреждения об опасности травмирования или повреждения имущества.



Предупреждение об опасности возникновения пожара.



Предупреждение об опасности поражения электрическим током.



Данный прибор был изготовлен на экологически чистых современных заводах без нанесения вреда природе.

Соответствует нормам ЕС об утилизации электрического и электронного оборудования.



Устройство не содержит ПХБ.

# 1. Важные инструкции по технике безопасности и защите окружающей среды

## 1.1. Общие правила техники безопасности

Важные инструкции по технике безопасности: внимательно ознакомьтесь и сохраните для дальнейшего использования. В этом разделе содержатся правила техники безопасности, соблюдение которых позволит исключить риск возникновения пожара, поражения электрическим током, воздействия утечек микроволнового излучения, получения иных травм или причинения материального ущерба. При несоблюдении этих правил все гарантийные обязательства аннулируются.

- Изделия торговой марки Веко соответствуют действующим стандартам безопасности. В случае повреждения электроприбора или шнура питания, во избежание опасных ситуаций, ремонт или замена должны производиться дилером, сервисным центром, специалистом или авторизованной службой. Неправильно или непрофессионально выполненные ремонтные работы могут привести к опасным для пользователя ситуациям.

- Этот прибор предназначен только для бытового и сходного с ним применения, а именно:
  - - в кухонных зонах для персонала в магазинах, офисах и других рабочих помещениях;
  - - на фермах;
  - - в номерах гостиниц, мотелей и т. п.;
  - - в помещениях, предоставляемых для проживания на условиях полупансиона.
- Используйте данный электроприбор только по его прямому назначению, как описано в данном руководстве.
- Производитель не несет ответственности за любые повреждения, возникшие в результате неправильного использования или неправильной установки изделия.
- Дети старше 8 лет, а также лица с ограниченными физическими, сенсорными и умственными способностями или без соответствующих навыков и опыта могут использовать данный прибор только под присмотром или после получения инструкций по

# 1. Важные инструкции по технике безопасности и защите окружающей среды

поводу безопасного использования прибора и осознания связанных с этим опасностей.

- Не позволяйте детям играть с прибором. Не позволяйте детям самостоятельно выполнять очистку и обслуживание прибора.
- Минимальное расстояние между опорной поверхностью емкостей для приготовления пищи на варочной панели и самой нижней частью изделия должно быть не менее 65 см.
- Если в инструкции по установке газовой плиты указано большее расстояние, это следует принять во внимание.
- Напряжение сети питания должно соответствовать номинальным характеристикам, указанным на паспортной табличке электроприбора.
- Ни в коем случае не пользуйтесь электроприбором, если шнур питания или электроприбор повреждены.
- Во избежание повреждения шнура питания не допускайте его сдавливания, перегиба или контакта с острыми кромками.

Не допускайте соприкосновения шнура питания с горячими поверхностями или открытым пламенем.

- Включайте прибор только в розетку с заземляющим контактом.

**ВНИМАНИЕ:** Не подключайте прибор к электросети до полного завершения работ по установке.

- Электроприбор следует располагать таким образом, чтобы штепсельная вилка была легкодоступна.
- Не прикасайтесь к лампам, если они работали в течение длительного времени. Это может вызвать ожог рук, поскольку лампы очень горячие.
- Следуйте инструкциям, установленным компетентными органами относительно выпуска отработанного воздуха (данное предупреждение касается вентиляционных труб).
- Включите прибор после того, как поставите кастрюлю, сковороду и т. д. на варочную панель. В противном случае высокая температура может привести к

## 1. Важные инструкции по технике безопасности и защите окружающей среды

деформации некоторых частей изделия.

- Отключайте варочную панель перед тем, как убрать с нее кастрюлю, сковороду и т.д.
- Не оставляйте горячее масло на варочной панели. Сковорода с горячим маслом может стать причиной самовозгорания.
- Следите за шторами и занавесками, поскольку при приготовлении таких блюд, как картофель фри масло может загореться.
- Замену жироулавливателя следует осуществлять, как минимум, раз в месяц. Замену угольного фильтра осуществлять, как минимум, раз в 3 месяца.
- Чистку изделия необходимо выполнять в соответствии с инструкциями руководства пользователя. Если чистка изделия не осуществляется в соответствии с указаниями руководства пользователя, существует риск возникновения пожара.
- Не используйте неогнеупорные фильтрующие материалы вместо текущего фильтра.
- Используйте только оригинальные детали или же рекомендованные производителем детали.
- Не эксплуатируйте изделие без фильтра и не снимайте фильтры во время работы изделия.
- В случае возникновения пожара, отключите питание изделия и кухонной плиты.
- В случае возникновения пожара, накройте источник огня. Применение воды для тушения не допускается.
- Отключайте прибор от электросети перед чисткой, а также когда он не используется.
- Отрицательное давление окружающей среды не должно превышать 4 Па (4 x 10 бар) во время одновременной работы вытяжки для электрической варочной панели и приборов, работающих от другого источника энергии.
- В среде, где используется прибор, выхлопные газы устройств, работающих на жидком топливе или газе, таких как комнатный обогреватель, должны быть полностью изолированы, или

# 1. Важные инструкции по технике безопасности и защите окружающей среды

должны быть герметичными.

- При подсоединении к вытяжной трубе, используйте трубы диаметром 120 или 150 мм. Соединения труб должны быть как можно более короткими и иметь минимальное количество колен.

**Существует опасность удушья!** Храните упаковочные материалы в недоступном для детей месте.

**ОСТОРОЖНО:** Доступные детали прибора могут нагреваться во время использования кухонных плит.

- Выход вытяжки нельзя подключать в воздуховодам, которые заняты отводом других отработанных воздушных масс.
- Вентиляция в помещении может быть недостаточной в случае, если вытяжка для электрической варочной панели используется одновременно с устройствами, работающими на газе или других видах топлива (это не относится к приборам, которые только выпускают воздух обратно в помещение).
- Находящиеся на изделии пред-

меты могут упасть. Не следует класть посторонние предметы на вытяжку.

- Фламбирование блюд под изделием не допускается.

**ВНИМАНИЕ:** Перед началом работ по установке вытяжки удалите защитную пленку.

- Никогда не оставляйте открытым высокое пламя под работающей вытяжкой.
- Во время использования фритюрниц их необходимо держать под постоянным присмотром: сильно нагретое масло может загореться.

## 1.2 Соответствие Директиве по утилизации отходов электрического и электронного оборудования и утилизация продукта:

Данное изделие соответствует требованиям Директивы по утилизации отходов электрического и электронного оборудования (2012/19/EC). На изделие нанесено условное обозначение для отходов электрического электронного оборудования (WEEE).



Этот символ означает, что по истечении срока службы данного прибора,

# 1.

## Важные инструкции по технике безопасности и защите окружающей среды

он не должен утилизироваться вместе с другими бытовыми отходами. Бывшее в употреблении устройство необходимо сдать в официальный пункт сбора для утилизации электрического и электронного оборудования. Для получения информации о таких пунктах сбора, пожалуйста, свяжитесь с местными органами власти или розничной торговли, по месту покупки настоящего прибора. В вопросах восстановления и утилизации бывших в употреблении приборов каждый конкретный владелец играет важную роль. Надлежащая утилизация использованного бывшего в употреблении прибора помогает предотвратить потенциальные негативные последствия для окружающей среды и здоровья человека.

### 1.3 Соответствие Директиве ЕС по ограничению использования вредных веществ

Приобретенное вами изделие соответствует требованиям Директивы ЕС по ограничению использования вредных веществ (2011/65/ЕС). Устройство не содержит указанных в Директиве вредных веществ и запрещенных

материалов.

### 1.4. Информация об упаковке



Упаковочные материалы изделия изготовлены из вторичного сырья, в соответствии с государственными законами об охране окружающей среды. Не выбрасывайте упаковочные материалы вместе с бытовыми или другими отходами. Отнесите их в пункты приема упаковочных материалов, организованные местными органами власти.

### 1.5 Основной риск, риск отравления



Рис . 1: Риск отравления



Рис . 2: Риск отравления

# 1. Важные инструкции по технике безопасности и защите окружающей среды



## **ОПАСНОСТЬ!** **Внимание - Возможна угроза удушья!**

Упаковочные материалы опасны для детей. Не позволяйте детям играть с упаковочными материалами.



## **ОПАСНОСТЬ!** **Внимание – Смертельная опасность**

Основной риск, риск отравления возникает из-за реабсорбции продуктов сгорания. При использовании отводного воздуховода не используйте прибор одновременно с устройствами, которые выделяют токсичные газы, такими как печи с циркуляцией воздуха, работающие на газе, масле, дровах или древесном угле, водогрейные колонки, водонагреватели и т.д., если не подается достаточное количество воздуха. Рис. 3

Устройства с циркуляцией воздуха (например, печи, работающие на газе, масле, дровах или древесном угле, водогрейные колонки, водонагреватели) забирают воздух из места установки и удаляют отработанный газ с помощью системы очистки отработанных газов (воздуховод). Во время работы прибор забирает воздух из кухни и соседних комнат. При отсутствии достаточного количества воздуха происходит вакуумирование. В этом случае токсичные газы всасываются обратно из вытяжной трубы и трубопровода отработанного газа и возвращаются в помещение. Рис. 1

По этой причине необходимо обеспечить подачу чистого воздуха в достаточном объеме.  
Рис. 2



## **ВНИМАНИЕ!** **Опасность возгорания!**

Отложение жира на жирулавливающем фильтре может привести к возгоранию. Очищайте жирулавливающий фильтр каждый месяц. Не используйте прибор без жирулавливающего фильтра. Очищайте жирулавливающий фильтр каждый месяц.

Отложение жира на жирулавливающем фильтре может привести к возгоранию. Никогда не работайте с огнем вблизи прибора (например, при фламбировании). Разрешается устанавливать прибор только рядом с нагревательным оборудованием, которое работает на твердом топливе (например, древесина или уголь), при условии наличия закрытой несъемной крышки. Не должно возникать искрения.

Горячие растительные масла и жир легко воспламеняются. Будьте осторожны с горячими растительными маслами и жирами. Тушение огня водой запрещается.

Выключите плиту. Осторожно накройте пламя крышкой, противопожарным полотном или подобным предметом.



**1.**

## Важные инструкции по технике безопасности и защите окружающей среды



Газовые варочные панели при работе выделяют большое количество, если на них нет посуды. Поэтому размещенное на варочной панели вентиляционное устройство может быть повреждено или может сгореть. Включайте газовые варочные панели только при наличии на них посуды.

Одновременное использование нескольких газовых варочных панелей приводит к чрезмерному выделению тепла. Поэтому размещенное на варочной панели вентиляционное устройство может быть повреждено или может сгореть. Не включайте две газовые варочные панели при сильном огне более чем на 15 минут. Горелка мощностью более 5 кВт (Вок) приравнивается к двойной горелке.



### **ВНИМАНИЕ!**

#### **Риск поражения электрическим током!**

Неисправный прибор может привести к поражению электрическим током. Не используйте неисправный прибор. Вытащите его из розетки или отсоедините предохранитель от блока предохранителей. Обратитесь в центр обслуживания клиентов.

Ремонт, который выполняется не по инструкциям, представляет угрозу. Ремонт и замена неисправных электрических кабелей должны выполняться только специалистами по обслуживанию клиентов, прошедшими обучение в нашей компании. Если прибор неисправен, вытащите его из розетки или отсоедините предохранитель от блока предохранителей. Обратитесь в центр обслуживания клиентов.

Попадание воды в прибор может привести к поражению электрическим током. Очиститель высокого давления или парочиститель.

# 1.

## Важные инструкции по технике безопасности и защите окружающей среды

### **ОПАСНОСТЬ!**

#### **Риск получения травм!**

При установке существует риск получения травмы из-за острых краев прибора. При установке прибора всегда надевайте защитные перчатки.

Все предохранительные болты и защитные крышки должны быть установлены в соответствии с указаниями в руководстве пользователя, так как есть риск падения прибора.

Предметы, которые находятся на приборе могут упасть. Не кладите на прибор никаких предметов.

Светодиодная лампочка светит слишком ярко и может вызвать повреждение глаза (класс опасности 1). Не смотрите прямо на светодиодную лампу более 100 секунд.



### **ОСТОРОЖНО:**

Доступные части прибора могут нагреваться при использовании с кухонным оборудованием.



В случае если ремонтные работы не были выполнены надлежащим образом или не в соответствии с правилами, выключите предохранитель или отключите прибор от электросети. Ремонтные работы могут выполнять только авторизованный сервис или квалифицированный персонал.

В случае если ремонтные работы не были выполнены надлежащим образом или не в соответствии с правилами, выключите предохранитель или отключите прибор от электросети. Ремонтные работы могут выполнять только работники авторизованной сервисной службы или квалифицированный персонал.

### **ОПАСНОСТЬ!** **Риск получения ожогов, риск поражения электрическим током!**

Перед чисткой или техническим обслуживанием прибора дождитесь его охлаждения. Выключите предохранитель или отключите прибор от электросети.

Из-за попадания влаги в электронные компоненты возникает риск его повреждения. Никогда не очищайте контроллеры влажной тканью.

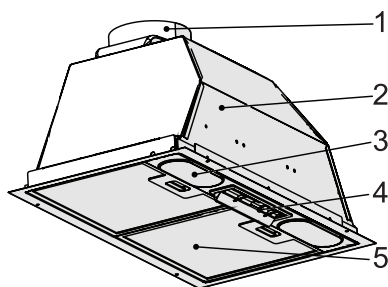
Из-за неправильного очищения может повредиться поверхность прибора. Очищайте поверхности из нержавеющей стали только вдоль зерна. Не используйте очиститель для нержавеющей стали для чистки контроллеров.

Поверхность можно поцарапать при использовании абразивных или полирующих чистящих средств. Никогда не используйте абразивные или полирующие чистящие средства.



## 2. Общий внешний вид

### 2.1 Обзор



1. Вытяжная вентиляционная труба
2. Корпус
3. Освещение варочной панели
4. Панель управления
5. Алюминиевый жирославливающий фильтр

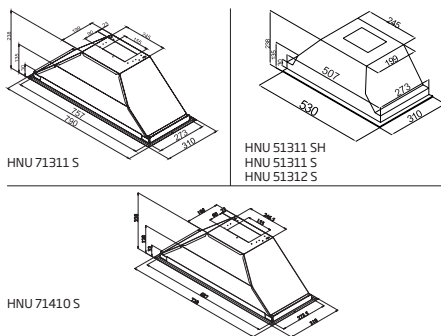
### 2.2 Технические характеристики

**CE** Данный прибор соответствует требованиям Директивы ЕС 2014/30/EU (Директива о электромагнитной совместимости) и Директивы 2014/35/EU (Директива по низковольтному оборудованию (LVD)).

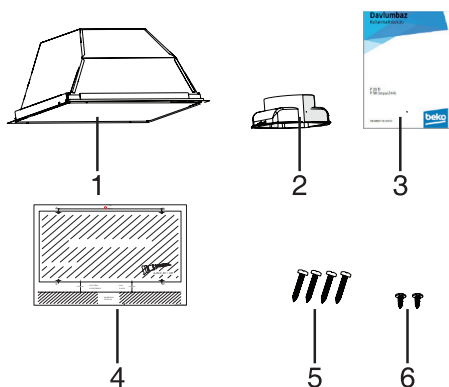
Напряжение сети	220-240В 50 Гц
Мощность ламп освещения (Вт)	2x3 Вт
Мощность двигателя (Вт)	1x185 Вт
Класс изоляции двигателя	F
Класс изоляции	КЛАСС 1

Производитель оставляет за собой право на изменение технических характеристик и конструкции изделия. Размеры, представленные на технических чертежах, указаны в мм. Данное изображение предназначено только для справки о деталях прибора. Детали могут отличаться в зависимости от модели прибора. Рисунки приведены для наглядного представления.

### 2.3 Технический чертёж в масштабе



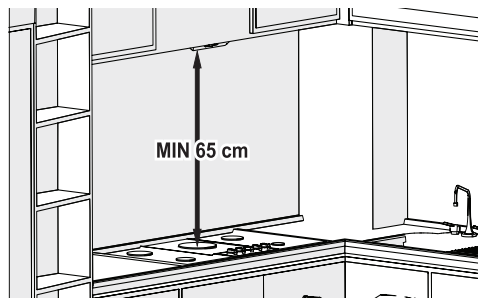
### 2.4 Содержимое упаковки



1. Вытяжка
2. Пластиковая труба 1 x Ø 120 мм
3. Руководство пользователя
4. Установочный чертёж
5. Винт 4 X 3,9 X 32  
(Используется для установки вытяжки)
6. Винт 3.5 x 9.5  
(Используется для пластикового воздуховода)

## 3. Установка и использование прибора

### 3.1 Положение прибора



- Перед установкой необходимо учесть расстояние между варочной панелью и вытяжкой. Это расстояние должно составлять 65 см.
- Измерять расстояние необходимо от поверхности решетки на варочной панели и от стеклянной поверхности электрической плиты.



Ваш новый прибор отличается особенной эффективностью энергопотребления. В этом разделе вы найдёте ряд рекомендаций, как при эксплуатации прибора сэкономить ещё больше энергии и как правильно утилизировать прибор.

### 3.2 Рекомендации по экономии электроэнергии:

- Во время приготовления позаботьтесь о достаточном притоке воздуха, чтобы обеспечить эффективную и бесшумную работу вытяжки.
- Настройте режим работы вентилятора в зависимости от интенсивности испарений. Включайте интенсивный режим только при необходимости. Пониженный режим работы вытяжки способствует снижению расхода электроэнергии.
- При высокой интенсивности испарений заранее выбирайте повышенный режим работы вытяжки. При значительном скоплении испарений на кухне потребуются более длительное использование вытяжки.
- Выключите вытяжку, если не предполагается её дальнейшее использование.
- Следует очищать и менять фильтр с указанной периодичностью в целях повышения эффективности работы системы вентиляции и предотвращения опасности возникновения пожара.



## 3. Установка и использование прибора



### ОСТОРОЖНО:

Поскольку изгибы и колена вызывают снижение мощности всасывания воздуха, их использования по мере возможности следует избегать.

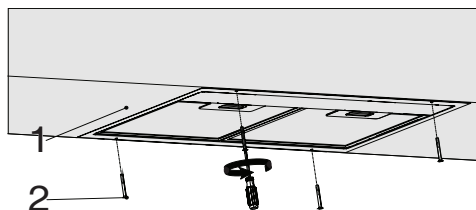
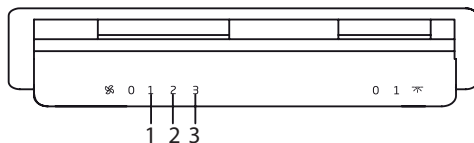


Рис. 10

1. Кухонный шкаф, вид снизу
  2. Винт 4 X 3,9 X 32 для установки вытяжки
- Установите вытяжку в кухонный шкаф и прикрутите вытяжку к 4 просверленным ранее монтажным отверстиям (Рис. 10).

## 3.5 Использование прибора

### 3.5.1 Использование кулисного переключателя



- Переведите переключатель лампы в положение "0", чтобы выключить лампу.
- Переведите переключатель лампы в положение "1", чтобы включить лампу.
- Переведите переключатель двигателя в положение "0", чтобы выключить двигатель.
- Двигатель может работать на 1-й скорости минимум и на 3-й скорости максимум в зависимости от интенсивности пара на кухне.

## 3. Установка и использование прибора

### 3.6 Замена лампы

#### 3.6.1 Замена свечеобразной лампы накаливания



#### ВНИМАНИЕ

Отключите вытяжку от источника питания. Лампы сильно нагреваются и можно обжечь руки, поэтому дождитесь, пока они остынут.

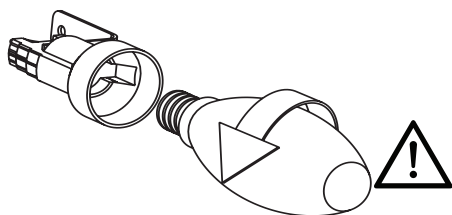


Рис. 11: Замена свечеобразной лампы накаливания

- Снимите алюминиевый картриджный фильтр. Открутите неисправную лампу и замените ее аналогичной лампой. Рис. 11



#### ПРИМЕЧАНИЕ:

Если прибор сломался или поврежден, выключите предохранитель или отключите прибор от электросети и обратитесь в авторизованный сервисный центр.



#### ПРИМЕЧАНИЕ:

В случае повреждения шнура питания его замена должна производиться производителем, представителем сервисного центра или мастером, имеющим аналогичную квалификацию.



#### ПРИМЕЧАНИЕ:

Выключите предохранитель или отключите прибор от электросети в случае поломки ламп прибора. Немедленно замените неисправные лампы, чтобы предотвратить перегрузку других ламп (дождитесь, пока они остынут).

**ОСТОРОЖНО:**

Риск повреждения в результате коррозии. Во избежание образования конденсата всегда включайте прибор при приготовлении пищи. Конденсат ожет стать причиной повреждения, вызванного коррозией. Немедленно замените неисправные лампы, чтобы предотвратить перегрузку других ламп. Из-за попадания влаги в электронные компоненты возникает риск их повреждения. Никогда не очищайте контроллеры влажной тканью. Из-за неправильного очищения может повредиться поверхность прибора. Очищайте поверхности из нержавеющей стали только вдоль зерна. Не используйте очиститель для нержавеющей стали для чистки контроллеров. Поверхность можно поцарапать при использовании абразивных или полирующих чистящих средств. Никогда не используйте абразивные или полирующие чистящие средства. Существует риск повреждения вследствие возврата конденсата. Установите канал для отвода воздуха чуть ниже прибора (уклон 1°).

**ОСТОРОЖНО:**

Прибор можно использовать в режиме отвода воздуха и в режиме рециркуляции воздуха.



## Режим удаления воздуха

Всасываемый воздух очищается при помощи жирулавливающих фильтров и выводится с помощью системы трубопроводов. (Рис. 3) Если вытяжной воздух выходит в неиспользуемую дымовую трубу, необходимо получить разрешение у компетентного лица, ответственного за эксплуатацию и очистку труб. Если вытяжной воздух отводится через наружную стену, следует использовать телескопический блок вкладки.



Всасываемый воздух проходит через жирулавливающие фильтры и фильтр на основе активированного угля и очищенным выводится обратно в кухню. Рис. 4

**ПРИМЕЧАНИЕ!**

Вытяжной воздух не должен выходить ни через дымовую трубу, ни в шахту, служащую для вытяжной вентиляции помещений, в которых находится источник пламени.



Для устранения неприятных запахов в режиме рециркуляции необходим фильтр на основе активированного угля. Информацию о различных вариантах использования прибора в режиме рециркуляции можно получить у дилера. Необходимые для этого принадлежности можно приобрести в специализированном магазине, сервисной службе или интернет-магазине.



Приобретенный прибор поддерживает использование фильтра на основе активированного



## 4 Чистка и техническое обслуживание

угля. Для установки угольного фильтра:

1- Поместите угольный фильтр в его корпус.  
Рис. 15/1

2- Поверните угольный фильтр по часовой стрелке, чтобы убедиться, что он плотно вставлен. Рис. 15/2



Res.13



Res.14



Res.15



Если угольный фильтр установлен неправильно, он может выпасть и повредить изделие.



### ОСТОРОЖНО:

Никогда не мойте угольные фильтры. Храните угольные фильтры в недоступном для детей месте.



### ОСТОРОЖНО:

Не позволяйте детям самостоятельно выполнять очистку и обслуживание прибора.

- Поверхность можно поцарапать при использовании абразивных или полирующих чистящих средств. Не используйте абразивные или полирующие чистящие средства. Приобретайте чистящие средства и защитные материалы для вашего прибора, в авторизованном сервисном центре. Поверхность прибора и контроллеров чувствительна к царапинам. Очищайте поверхности при помощи мягкой и влажной ткани с использованием средства для мытья посуды или не едкого средства для мытья стекол. Размягчите высохшую и прилипшую грязь влажной тканью. Не выскребайте грязь!
- Сухие ткани, губки, которые могут поцарапать поверхность, материалы, которые требуют натирания, песок и другие эффек-

тивные чистящие средства, содержащие минеральную воду, кислоту или хлорид, не подходят.

- Очищать поверхности из нержавеющей стали только вдоль зерна.
- Для очистки блоков управления не используйте чистящее средство для нержавеющей сталей или влажную ткань. Чистка металлических жироулавливающих фильтров. И использованные металлические жироулавливающие фильтры удерживают влагу, образующуюся на кухне, и частицы жира, содержащиеся в паре. При регулярном использовании (от 1 до 2 часов в день) очищайте металлические жироулавливающие фильтры каждые 3 месяца.
- Не используйте слишком эффективные, кислородсодержащие или агрессивные чистящие средства.
- При очистке металлических жироулавливающих фильтров используйте влажную ткань, чтобы очистить внутренние части металлических жироулавливающих фильтров.
- Металлические жироулавливающие фильтры мыть в посудомоечной машине или вручную
- Не наносите распыляющие чистящие средства непосредственно на прибор.
- Не кладите на прибор легковоспламеняющиеся и/или тяжелые декоративные предметы.

### 4.1 В посудомоечной машине:

При очистке в посудомоечной машине возможно незначительное изменение цвета. Изменение цвета не влияет на работу металлических жироулавливающих фильтров.

- Не мойте сильно загрязнённые металлические жироулавливающие фильтры вместе с обычной посудой.
- Размещайте металлические жироулавливающие фильтры в посудомоечной машине так, чтобы они были расположены свободно. Размещайте металлические жироулавливающие фильтры в посудомоечной машине так, чтобы

они не были зажаты другими предметами.

## 4.2 Очистка вручную

- При наличии стойких загрязнений можно использовать специальный растворитель жиров. Его можно заказать в интернет-магазине.
- Замочите металлические жироулавливающие фильтры в горячем мыльном растворе.
- Почистите фильтры щёткой и дождитесь пока не стечет жидкость. Затем тщательно прополощите фильтры.
- Технические характеристики и данное руководство могут быть изменены без предварительного уведомления.
- Данный прибор соответствует нормам контроля отходов электрического и электронного оборудования.
- Данная вытяжка предназначена для использования над варочной панелью. Убедитесь, что стена выдержит вес вытяжки. Расходы на дробление, резку и аналогичные процедуры, выполняемые на стене или в шкафу во время установки вытяжки, должны покрываться потребителем. Вытяжка может использоваться вместе с системой дымовой трубы, которая выпускает воздух, или без нее (путем установки угольного фильтра). Обратите внимание на проблемы, которые могут возникнуть до или во время установки. Установку должен выполнять сертифицированный сервисный агент. Установку должен выполнять сертифицированный специалист, обладающим знаниями в сфере вентиляции. Срок службы прибора, установленный Министерством промышленности (срок наличия запасных частей, необходимых для работы прибора), составляет 10 (десять) лет.
- Во избежание повреждения компонентов прибора во время перегрузки и транспортировки его необходимо хранить в оригинальной упаковке.
- Во время работы держите прибор в

правильном положении.

- Не роняйте прибор и не допускайте его повреждения во время транспортировки. Гарантия не распространяется на неисправности и повреждения, возникшие во время транспортировки после доставки прибора клиенту.

Производитель: "Arçelik A.S."

Karaağaç Caddesi No: 2-6 Sütlüce, 34445, Turkey

(Franke Mutfak ve Banyo Sistemleri Sanayi Ticaret A.Ş. ТУРЦИЯ,

Manisa - Muradiye Karayolu 7.km Muradiye / MANİSA / TURKEY)

Импортер на территории РФ: ООО «БЕКО»

Юридический адрес: 601021 Россия, Владимирская обл., Киржачский р-н, дер. Федоровское, ул. Сельская, д. 49

Дата производства включена в серийный номер продукта, указанный на этикетке, расположенной на продукте, а именно:

первые две цифры серийного номера обозначают год производства, а последние две – месяц.

Например, «10-100001-05» обозначает, что продукт произведен в мае 2010 года.

Действует только на территории РФ / Valid for Russian Federation only

# beiko

## ГАРАНТИЯ 2 ГОДА

Адрес: 109004, Россия, Москва, ул. Станиславского, д21, стр 1. <http://www.beiko.ru>  
Телефон горячей линии 8-800-200-23-56 (Звонок бесплатный на всей территории России)

### Гарантийный талон серия RUS № [ ]

Модель ..... Серийный номер .....

Дата продажи .....	Дата установки .....
Компания .....	Компания .....
Подпись продавца .....	Подпись мастера .....
ПЕЧАТЬ	ПЕЧАТЬ

Покупатель ..... Телефон .....

*Фамилия, Имя, Отчество*

Изделие получено в полной комплектации,  
проверялось в присутствии покупателя.

Покупатель с условиями гарантии ознакомлен. ....

*Подпись Покупателя*



Отрывные купоны гарантийного талона являются средством отчетности о выполнении сервисным центром гарантийных работ. Купон изымается из гарантийного талона после удовлетворения Ваших претензий.

 серия RUS № [ ] Дата продажи ..... ПЕЧАТЬ МАГАЗИНА <b>3</b> ГАРАНТИЯ 2 ГОДА	 серия RUS № [ ] Дата продажи ..... ПЕЧАТЬ МАГАЗИНА <b>2</b> ГАРАНТИЯ 2 ГОДА	 серия RUS № [ ] Дата продажи ..... ПЕЧАТЬ МАГАЗИНА <b>1</b> ГАРАНТИЯ 2 ГОДА
------------------------------------------------------------------------------------------------	------------------------------------------------------------------------------------------------	------------------------------------------------------------------------------------------------

Место для наклейки кода изделия



Arçelik A.Ş. Karaağaç Caddesi No:2-6,  
34445, Sütlüce / İSTANBUL

## Free Manuals Download Website

<http://myh66.com>

<http://usermanuals.us>

<http://www.somanuals.com>

<http://www.4manuals.cc>

<http://www.manual-lib.com>

<http://www.404manual.com>

<http://www.luxmanual.com>

<http://aubethermostatmanual.com>

Golf course search by state

<http://golfingnear.com>

Email search by domain

<http://emailbydomain.com>

Auto manuals search

<http://auto.somanuals.com>

TV manuals search

<http://tv.somanuals.com>