

# Microwave Oven

## User Manual



MOC20200R | MOC20200M  
MOC20200C | MOC20200B

EN

01M-8802783200-2918-01

**beko**




# Please read this manual first!

Dear Customer,

Thank you for purchasing a Beko product. We hope that you get the best results from your product which has been manufactured with high quality and state-of-the-art technology. Therefore, please read this entire user manual and all other accompanying documents carefully before using the product and keep it as a reference for future use. If you handover the product to someone else, give the user manual as well. Follow all warnings and information in the user manual.

## Meanings of the symbols

Following symbols are used in the various section of this user manual:

	Important information and useful hints about usage.
	Warnings for dangerous situations concerning the safety of life and property.
	Warning for hot surfaces.



This product has been manufactured in environmental friendly modern plants without giving any harm to the nature.

This appliance conforms to the WEEE regulation.



# CONTENTS

## **1 Important safety and environmental instructions 4**

1.1 General safety.....	4
1.1.1 Electrical safety.....	6
1.1.2 Product safety.....	7
1.2 Intended use.....	8
1.3 Children's safety.....	9
1.4 Compliance with the WEEE Directive and disposal of waste products.....	10
1.5 Package information.....	10
1.6 Plug Wiring.....	10

## **2 Your microwave oven 11**

2.1 Overview.....	11
2.2 Technical data.....	12

## **3 Installation 13**

## **4 Operation 14**

4.1 Control panel.....	14
4.2 Before cooking.....	14
4.3 Auto cooking/ time.Weight knob.....	14
4.4 Pause/cancel.....	14
4.5 Auto reminder.....	14
4.6 Clock setting.....	14
4.7 Microwave cooking.....	15
4.8 Express cooking.....	16
4.9 Defrost.....	16
4.10 Auto cooking.....	16
4.11 Automatic starting (delayed function).....	17
4.12 Multi-sequence cooking.....	18
4.13 Child lock function.....	18

## **5 Cooking tips 19**

## **6 Cleaning 20**

6.1 Microwave oven care.....	20
6.2 Tips for cleaning.....	20
6.3 Storage.....	20

## **7 Utensils guideline 21**

01M-8802793200-2918-01  
01M-8802803200-2918-01  
01M-8802813200-2918-01

## Important Safety Instructions Read Carefully And Keep For Future Reference

This section contains safety instructions that will help protect from risk of fire, electric shock, exposure to leak microwave energy, personal injury or property damage. Failure to follow these instructions shall void any warranty.

### 1.1 General safety

- The microwave oven is intended for heating food and beverages. Drying of food or clothing and heating of warming pads, slippers, sponges, damp cloth and similar may lead to risk of injury, ignition or fire.
- This appliance is intended to be used in domestic household applications.
- Do not attempt to start the oven when its door is open; otherwise you may be exposed to harmful microwave energy. Safety locks should not be disabled or tampered with.
- Do not place any object between the front side and the door of the oven. Do not allow dirt or cleaning agent remnants built-up on the closure surfaces.
- Any service works involving removal of the cover that provides protection against exposure to microwave energy must be performed by authorized persons/service. Any other approach is dangerous.
- Your product is intended for cooking, heating and defrost food at home. It must not be used for commercial purposes. Manufacturer shall not be held liable for damages that have arisen from misuse.
- Do not use this appliance outdoors, in bathrooms, humid environments or in places where the it can get wet.
- No responsibility or warranty claim shall be assumed for damages arising from misuse or improper handling of the appliance.
- Never attempt to dismantle the appliance. No warranty claims are accepted for damage caused by improper handling.

# 1

## Important safety and environmental instructions

- Only use the original parts or parts recommended by the manufacturer.
- Do not leave this appliance unattended while it is in use.
- Always use the appliance on a stable, flat, clean dry, and non-slip surface.
- The appliance should not be operated with an external clock timer or separate remote control system.
- Before using the appliance for the first time, clean all parts. Please see the details given in the "Cleaning and Maintenance" section.
- Operate the appliance for its intended purpose only as described in this manual. Do not use abrasive chemicals or steam on this appliance. This oven is particularly intended for heating and cooking the food.  
It is not intended for industrial or laboratory use.
- Do not use your appliance to dry clothes or kitchen towels.
- Appliance becomes very hot while it is in use. Pay attention not to touch the hot parts inside the oven.
- Your oven is not designed to dry any living being.
- Do not operate the oven empty.
- Only use utensils that are suitable for use in microwave ovens.
- Cooking utensil may get hot due to the heat transferred from the heated food to the utensil. You may need oven gloves to hold the utensil.
- Utensils shall be checked to ensure that they are suitable for use in microwave ovens.
- Do not place the oven on stoves or other heat generating appliances. Otherwise, it may be damaged and the warranty becomes void.
- Microwave oven must not be placed in a cabinet that is not in compliance with the installation instructions.
- Steam may come out while opening the covers or the foil after cooking the food.
- Use gloves while taking any kind of heated food out.
- The appliance and its accessible surfaces may be very hot when the appliance is in use.
- Door and outer glass may be very hot when the appliance is in use.

## 1.1.1 Electrical safety

- If the supply cord is damaged, it must be replaced by the manufacturer or its service agent or a similarly qualified person in order to avoid a hazard.
- Beko Microwave Ovens comply with the applicable safety standards; therefore, in case of any damage on the appliance or power cable, it should be repaired or replaced by the dealer, service center or a specialist and authorized service alike to avoid any danger. Faulty or unqualified repair work may be dangerous and cause risk to the user.
- Make sure that your mains power supply complies with the information supplied on the rating plate of the appliance.  
The only way to disconnect the appliance from the power supply is to remove the power plug from the power outlet.
- Use the appliance with a grounded outlet only.
- Never use the appliance if the power cable or the appliance itself is damaged.
- Do not use this appliance with an extension cord.
- Never touch the appliance or its plug with damp or wet hands.
- Place the appliance in a way so that the plug is always accessible.
- Prevent damage to the power cable by not squeezing, bending, or rubbing it on sharp edges. Keep the power cable away from hot surfaces and naked flame.
- Make sure that there is no danger that the power cable could be accidentally pulled or that someone could trip over it when the appliance is in use.
- Unplug the appliance before each cleaning and when the appliance is not in use.
- Do not pull the power cable of the appliance to disconnect it from its power supply and never wrap its power cable around the appliance.
- Do not immerse the appliance, power cable, or power plug in water or any other liquids. Do not hold it under running water.
- When heating food in plastic or paper containers, keep an eye on the oven due to the possibility of ignition.
- Remove the wire strings and/or metal handles of paper or plastic

# 1

## Important safety and environmental instructions

bags before placing bags suitable for use in microwave oven to the oven.

- If smoke is observed, switch off or unplug the appliance and keep the door closed in order to stifle any flames.
- Do not use inside of the oven to store something. Do not leave paper items, cooking material or food inside the oven when it is not being used.
- The contents of feeding bottles and baby food jars shall be stirred or shaken and the temperature shall be checked before consumption, in order to avoid burns.
- This appliance is a Group 2 Class B ISM equipment. Group 2 contains all ISM (Industrial, Scientific and Medical) equipment in which radio-frequency energy is intentionally generated and/or used in the form of electromagnetic radiation for the treatment of material, and spark erosion equipment.
- Class B equipment is suitable for use in domestic establishments and establishments directly connected to a low voltage power supply network.
- Door or outer surface of the appliance may become hot when it is in use.

### 1.1.2 Product safety

- Heating the beverages with microwave may cause them to boil by splashing around after they have been taken out of the oven; so be careful when you are holding the containers.
- Do not roast anything in the oven. Hot oil may damage the components and materials of the oven, and it may even cause skin burns.
- Pierce food with thick crust such as potatoes, zucchinis, apples and chestnuts.

# Important safety and environmental instructions

- Appliance must be placed so that the rear side is facing the wall.
- Before moving the appliance, please secure the turntable to prevent damage to it.
- Eggs in their shell and whole hard-boiled eggs must not be heated in microwave ovens since they may explode, even after microwave heating has ended.
- Never remove the parts at the rear and sides of the appliance, which protect the minimum distances between the cabinet walls and the appliance in order to allow for the required air circulation.
- **WARNING:** If the door or door seals are damaged, the oven must not be operated until it has been repaired by a competent person.
- **WARNING:** It is hazardous for anyone other than a competent person to carry out any service or repair operation which involves the removal of a cover which gives protection against exposure to microwave energy.
- **WARNING:** Liquids and other foods must not be heated in sealed containers since they are liable to explode.

## 1.2 Intended use

- The oven should be cleaned regularly and any food deposits removed.
- Failure to maintain the oven in a clean condition could lead to deterioration of the surface that could adversely affect the life of the appliance and possibly result in a hazardous situation.
- Cleaning the door seals and adjacent parts: Use hot soapy water. Clean with a dish cloth, do not scour. Do not use a metal or glass scraper for cleaning.
- Microwave oven is intended for built-in use only.
- Do not use the appliance for anything other than its intended use.
- Do not use the appliance as a heat source.
- Microwave oven is intended to thaw, cook and stew food only.
- Do not over-cook foods; otherwise, you may cause a fire.
- Do not use steam assisted cleaners to clean the appliance.



## 1.3 Children's safety

- Extreme caution is advised when being used near children and persons who are restricted in their physical, sensory or mental abilities.
- This appliance can be used by the children who are at the age of 8 or over and by the people who have limited physical, sensory or mental capacity or who do not have knowledge and experience, as long as they are supervised with regard to safe use of the product or they are instructed accordingly or understand the risks of using the product. Children should not play with the appliance. Cleaning and user maintenance procedures should not be performed by children unless they are controlled by their elders.
- Danger of choking! Keep all the packaging materials away from children.
- Only allow children to use the oven without supervision when adequate instructions have been given so that the child is able to use the microwave oven in a safe way and understands the hazards of improper use.
- Due to excessive heat that arises in grill and combination modes, children should only be allowed to use these modes under supervision of an adult.
- Keep the product and its power cable so that they are inaccessible by children under 8 years old.
- The appliance and its accessible surfaces may be very hot when the appliance is in use. Keep children away.
- The appliance is not intended for use by persons (including children) with reduced physical, sensory or mental capabilities, or lack of experience and knowledge, unless they have been given supervised or instruction concerning use of the appliance by a responsible person for their safety.
- Young children should be supervised to ensure that they do not play with the appliance.
- **WARNING:** Only allow children to use the oven without supervision when adequate instructions have been given so that the child is able to use the oven in a safe way and understands the hazards of improper use.

## 1.4 Compliance with the WEEE Directive and disposal of waste products



This product does not include harmful and prohibited materials specified in the "Regulation for Supervision of the

Waste Electric and Electronic Appliances" issued by the Ministry of

Environment and Urban Planning. Complies with the WEEE Directive. This product has been manufactured with high quality parts and materials which can be reused and are suitable for recycling.

Therefore, do not dispose the product with normal domestic waste at the end of its service life. Take it to a collection point for the recycling of electrical and electronic equipment. Ask the local authority in your area for these collection points. Help protect the environment and natural resources by recycling used products.

## 1.5 Package information



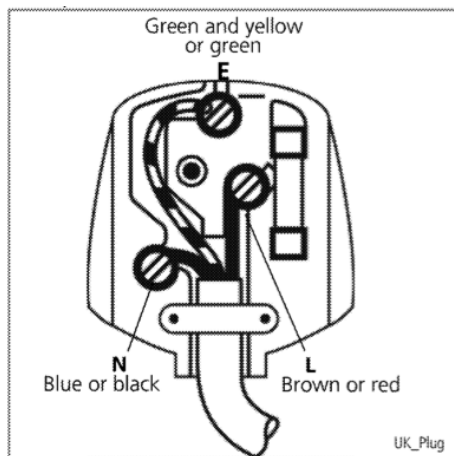
Package of the product is made of recyclable materials in accordance with our National Legislation. Do not dispose of the packaging materials together with the domestic or other wastes. Take them to the packaging material collection points designated by the local authorities.

## 1.6 Plug Wiring

The moulded plug on this appliance incorporates a 13 A fuse. Should the fuse need to be replaced an ASTA approved BS1362 fuse of the same rating must be used. Do not forget to refit the fuse cover. In the event of losing the fuse cover, the plug must not to be used until a replacement fuse cover has been fitted. Colour of the replacement fuse cover must be the same colour as that visible on the pin face of the plug. Fuse covers are available from any good electrical store.

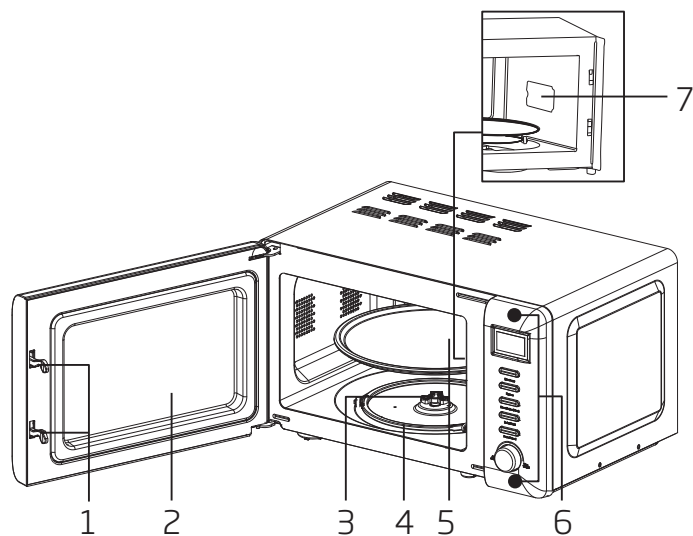
### • Fiting a different plug

- As the colours of the wires in the mains lead of this appliance may not correspond with the coloured markings identifying the terminals on your plug, proceed as follows:
- Brown cable = L (Live)
- Blue cable = N (Neutral)
- Green/yellow cable must be connected to ground (E)  $\equiv$  line
- With the alternative plugs a 13 A fuse must be fitted either in the plug or adaptor or in the main fuse box. If in doubt contact a qualified electrician.



## 2 Your microwave oven

### 2.1 Overview



1. Door lock
2. Viewing window
3. Rotating axis
4. Rotating ring
5. Turntable
6. Control panel
7. Waveguide cover

Markings on the product or the values stated in other documents supplied with the product are values obtained under laboratory conditions as per relevant standards. These values may vary according to the usage of the appliance and ambient conditions. Power values are tested at 230V.

## 2 Your microwave oven

### 1. Door lock

Microwave oven door must be properly closed in order for it to operate

### 2. Viewing window

Allow user to see the cooking status

### 3. Rotating axis

The glass turntable sits on the axis; the motor underneath it drives the turntable to rotate

### 4. Rotating ring

The glass turntable sits on its wheels; it supports the turntable and helps it to balance when rotating

### 5. Turntable

The food sits on the turntable, its rotation during operation helps to cook food evenly



- Place the rotating ring first
- Fit the turntable onto the rotating axis and make sure that it is geared in properly

### 6. Control panel

See below in details (the control panel is subject to change without prior notice)

### 7. Waveguide cover

It is inside the microwave oven, next to the wall of control panel.



Never remove the waveguide cover

## 2.2 Technical data

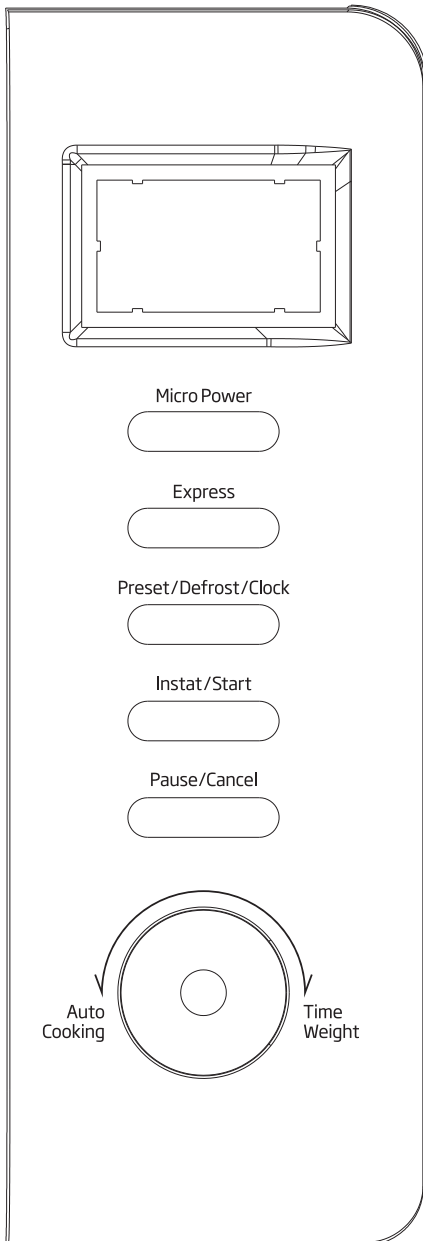
<b>Model</b>	MOC 20200 R MOC 20200 M MOC 20200 C MOC 20200 B
<b>Voltage / Frequency</b>	230V~, 50Hz
<b>Power Input - Microwave</b>	1280W
<b>Power Output - Microwave</b>	800W
<b>Microwave Frequency</b>	2450MHz
<b>Turntable diameter</b>	
<b>External dimensions</b>	455*350*255 mm
<b>Oven cavity dimensions</b>	
<b>Oven Capacity</b>	20L
<b>Net weight</b>	10.6 kg

## 3 Installation

1. Take out all the packing. If there is a safe film over the oven, tear it off before Use. Check carefully for damage. If any, immediately notify dealer or send to the manufacturer's service center.
2. Microwave ovens must be placed under dry and non-corrosiveness environments, kept away from heat and humidity, such as gas burner or water tank.
3. To ensure sufficient ventilation, the distance of the back of microwave to the wall should be at least 10 cm, the side to the wall should be at least 5 cm, the free distance above the top surface at least 20 cm. the distance of the microwave to the ground should be at least 85 cm.
4. The position of the oven shall be such that it is far from the TV, Radio or antenna as picture disturbance. The distance should be more than 5m.
5. The appliance must be positioned so that the plug is accessible, and must ensure a good grounding in case leakage, ground loop can be formed to avoid electric shock.
6. The microwave oven must be operated with the door closed.
7. The microwave oven must not be placed in a cabinet. The microwave oven is intended to be used freestanding.
8. As there is manufacturing residue or oil remained on the oven cavity or heat element, it usually would smell the odor, even a slight smoke, It is normal case and would not occur after several times use, keep the door or window open to ensure good ventilation. So it is strongly recommended to place a cup of water in the turntable, setting at high power and operate for several times.

## 4 Operation

### 4.1 Control panel



### 4.2 Before cooking

The LED flashes 3 times when plugged in power supply. Then it flashes ":", prompting you to input the cooking menu and time.

### 4.3 Auto cooking/ time. Weight knob

You can increase or decrease cooking time, weight or choose the auto cooking menu during operation by turning Auto cooking /Time.Weight knob.

### 4.4 Pause/cancel

At the initial or input stage: press once to cancel input programs and resume initial stage.

**During cooking:** press once to stop oven operation, press twice to cancel cooking programs.

### 4.5 Auto reminder

When your preset cooking procedure have finished, the LED display will show End and three beeps sound will be heard to prompt you to take out food. If you do not press Pause/Cancel button once or open the door, the beep will be sounded at an interval of 3 minutes.

### 4.6 Clock setting

Clock button make it available for you to input current or preset time when ":" flashes onto LED display after plugged in, or try to skip it over to continue if unnecessary.



On standby state, press and hold Preset/Defrost/Clock button about 3 seconds, the oven will enter clock state; if press Preset/Defrost/Clock button once, the oven will enter setting defrost menu automatically.

## 4 Operation



After setting the current time, set the desired cooking menu and cooking time, then press and hold Preset/Defrost/Clock button about 3 seconds, the oven will enter pre-set state.

### Example: to set 12:30

	Steps	Display
1	After power-up, the colon flashes	:
2	Press Preset/Defrost/Clock button for 3 seconds	00:00
3	Turn Auto Cooking/ Time. Weight knob to set exact hours.	12:00
4	Press Preset/Defrost/Clock button once again.	12:00
5	Turn Auto Cooking/ Time. Weight knob to set exact minutes.	12:30
6	Press Preset/Defrost/Clock button once again or wait for 5 seconds, and the numbers will go steadily.	

### 4.7 Microwave cooking

This function is used to cooking and heating food. Pressing Micro Power button, LED cycles to show 100P – 80P – 60P – 40P – 20P.

<b>High power</b>	100% microwave power. Applicable for quick and thorough cooking
<b>Medium High power</b>	80% microwave power. Applicable for medium express cooking
<b>Medium power</b>	60% microwave power. Applicable for steaming food
<b>Medium Low power</b>	40% microwave power. Applicable for defrosting food
<b>Low power</b>	20% microwave power. Applicable for keeping warm



- The max time which can be set is 60 minutes
- Never operate the oven empty.
- If you turn the food during operation, press the Instant/Start button once and the preset cooking procedure will continue.
- If you intend to remove the food before the preset time, you must press Pause/Cancel button once to clear the preset procedure to avoid unintended operation of next time use.
- At the maximum microwave power, the oven will automatically lower the power after a certain time of cooking to lengthen the service life.

### Example: To cook at P80 for 10 minutes.

	Steps	Display
1	After power-up, the colon flashes	:
2	Select the desired microwave power by pressing Micro Power button consecutively	80P
3	Set cooking time by turning Auto Cooking/ Time. Weight knob	10:00
4		

## 4 Operation

### 4.8 Express cooking

Press Express button LED display will cycle to show 0:30, 1:00, 1:30.

This function will allow you to heat a cup of water or beverage conveniently, omitting the steps of setting time. Choose the proper time depending on the beverage capacity.

Example: To cook with express for 1 minute		
	Steps	Display
1	After power-up, the colon flashes	:
2	Press Express button consecutively to select desired menu	80P
3	Start cooking by pressing Instant/Start button	1:00

### 4.9 Defrost

This function use for defrost food. Press the Preset/Defrost/Clock button and the LED display will cycle to show d.1-d.2-d.3.

d.1	For defrosting meat, the weight range from 0.1 to 2.0 kg.
d.2	For defrosting poultry, the weight range from 0.2 to 3.0kg.
d.3	For defrosting seafood, the weight range from 0.1 to 0.9kg.



- It is necessary to turn over the food during operation to obtain uniform effect.
- Usually defrosting will need longer time than that of cooking the food.
- If the food can be cut by knife, the defrosting process can be considered completed.
- Microwave penetrates around 4cm into most food
- Defrosted food should be consumed as soon as possible, it is not advised to put back to fridge and freeze again.

#### Example: To defrost 0.4kg poultry

	Steps	Display
1	After power-up, the colon flashes	:
2	Press Preset/Defrost/Clock button to set the food kind.	d.2
3	Turn Auto Cooking/ Time. Weight knob to set the defrost weight	0.4
4	Start cooking by pressing Instant/Start	
5	In half way during defrosting beep sounds will be heard to prompt you turn over the food. Open the door and turn over the food. Then close the door. Press Instant/start button again to continue defrosting.	

### 4.10 Auto cooking

The oven has default cooking menu for simple operation. When the LED flash colon, turn the Auto Cooking knob and LED will cycle to show A.1, A.2 ..... A.8

Choose the appropriate menu according to the food type and weight and strictly observe the directions in below table, otherwise the cooking effect will be largely influenced.



## 4 Operation

Display	Kind	Method
A.1	Popcorn	Suitable for popping a bag of corn, which is available in the market, weighted 85g. Popcorn prior to completing, if the popping speed has been decreased to 1 time per 1-2 seconds you should press Pause/Cancel button to stop the popping process
A.2	Popcorn	Same as A.1 except 100g weight
A.3	Pizza	Warm a piece of chilled pizza of 0.15kg
A.4	Beverage	Heating a cup of 250 ml liquid. The liquid temperature is about 5-10 °C. Use a big mouth cup and do not seal
A.5	Beverage	Heating a cup of 500 ml liquid. The liquid temperature is about 5-10 °C. Use a big mouth cup and do not seal
A.6	Potato	Cooking the potato strips, cut into 5mm width and height, length. Total weight is about 0.45kg. Place the strips on a large dish and cover the dish with a thin film to prevent water loss
A.7	Potato	Same as A.6 except the weight of potato strips is about 0.65kg
A.8	Fish	Suitable for steaming a fish of 0.45kg. After the fish washed and scales removed, make a slits on the skin of fish. Put the fish on a shallow dish of 22-27cm diameter sprinkle lightly with some ingredient and cover the dish with a thin film to prevent water loss. After cooking, stand for 2 minutes.



- The temperature of food before cooking would be 20-25 °C. Higher or lower temperature of the food before cooking would require increase or decrease of cooking time.
- The temperature, weight and shape of food will largely influence the cooking effect. If any deviation has been found to the factor noted on above menu, you can adjust the cooking time for best result.

### Example: Steam 0.45kg fish

	Steps	Display
<b>1</b>	After power-up, the colon flashes	:
<b>2</b>	Turn Auto Cooking/ Time. Weight knob to set the cooking menu	A.8
<b>3</b>	Start cooking by pressing Instant/ Start button and LED will count down to show running time.	

### 4.11 Automatic starting (delayed function)

If you do not want the menu be started immediately, you can preset the cooking menu and time and the preset menu will be automatically started at your set time. The setting will consist of 2 steps:

1. Setting the current clock;
2. Setting the cooking menu and time.

## 4 Operation

**Example: Now it is 12:30 clock, if you hope that the microwave oven will automatically start cooking with 100P microwave power for 9 minutes and 30 seconds at 14:20**

	Steps	Display
<b>1</b>	After power-up, the colon flashes	:
<b>1.1</b>	Press Preset/Defrost/Clock button for 3 seconds	00:00
<b>1.2</b>	Set hours by turning Auto Cooking/ Time. Weight knob	12:00
<b>1.3</b>	Press Preset/Defrost/Clock button again to confirm hours	12:00
<b>1.4</b>	Set minutes by turning Auto Cooking/ Time. Weight knob	12:30
<b>1.5</b>	Press Preset/Defrost/Clock button once or waiting for 5 seconds, and the numbers will go steady.	12:30
<b>2</b>	Set the cooking menu and time	
<b>2.1</b>	Select cooking power by pressing Micro Power button	100P
<b>2.2</b>	Turn Auto Cooking/ Time. Weight knob to set cooking time	9:30
<b>2.3</b>	Press and hold Preset/Defrost/Clock button for 3 seconds to enter preset state.	
<b>3</b>	Set the time you expect to start. Repeat the steps of 1.2, 1.3, 1.4	
<b>4</b>	Press Preset/Defrost/Clock button to confirm the delayed menu. Now the program has been activated. And the menu will be started at 14:20.	
<b>5</b>	You may check the preset starting time by pressing Preset/Defrost/Clock button.	

### 4.12 Multi-sequence cooking

To obtain best cooking result, some recipes call for different cook mode and time. You may program your personalized menu as follow:

**Example: You want cook food with 100P microwave for 3 minutes then 20P for 9 minutes. This is 2 sequence setting.**

	Steps	Display
<b>1</b>	100P microwave for 3min	
<b>1.1</b>	Press Micro Power button to select power level.	100P
<b>1.2</b>	Turn Auto Cooking/ Time. Weight knob to set cooking time.	3:00
<b>2</b>	20P for 9min	
<b>2.1</b>	Press Micro Power button to select desired menu	20P
<b>2.2</b>	Turn Auto Cooking/ Time. Weight knob to set cooking time.	9:00
<b>3</b>	Start cooking by pressing Instant/Start	



- When microwave 100 power cooking is finished, microwave oven will begin next operation automatically.
- Max 4 sequences can be set per time, repeat the steps

### 4.13 Child lock function

Use this feature to lock the control panel when you are cleaning or so that children can not use the oven unsupervised. All the buttons are rendered inoperable in this mode.

- 1. Set lock:** Hold Pause/Cancel button about 3 seconds.
- 2. Cancel lock:** Hold Pause/Cancel button about 3 seconds.

## 5 Cooking tips

The following factors may affect the cooking result:

### Food arrangement

Place thicker areas towards outside of dish, the thinner part towards the centre and spread it evenly. Do not overlap if possible.

### Cooking time length

Start cooking with a short time setting, evaluate it after it times out and extend it according to the actual need. Over cooking may result in smoke and burns.

### Cooking food evenly

Food such as chicken, hamburger or steak should be turned once during cooking.

Depending on the type of food, if applicable, stir it from outside to centre of dish once or twice during cooking

### Allow standing time

After cooking times out, leave the food in the oven for an adequate length of time, this allows it to complete its cooking cycle and cooling it down in a gradual manner

### Whether the food is done

Color and hardness of food help to determine if it is done, these include:

- Steam coming out from all parts of food, not just the edge
- Joints of poultry can be moved easily
- Pork or poultry shows no signs of blood
- Fish is opaque and can be sliced easily with a fork

### Browning dish

When using a browning dish or self-heating container, always place a heat-resistant insulator such as a porcelain plate under it to prevent damage to the turntable and rotating ring.

### Microwave safe plastic wrap

When cooking food with high fat content, do not allow the plastic wrap come into contact with food as it may melt

### Microwave safe plastic cookware

Some microwave safe plastic cookware might not be suitable for cooking foods with high fat and sugar content. Also, the preheating time specified in the dish instruction manual must not be exceeded.

### 6.1 Microwave oven care



The oven should be cleaned regularly and any food deposits removed.

#### **WARNING:**

1. Remove the power cord from the wall outlet before cleaning. Don't immerse the appliance in water or other fluids when cleaning.
2. Failure to maintain the oven in a clean condition could lead to deterioration of the surface that could adversely affect the life of the appliance and possibly result in a hazardous situation
3. Never use hard detergent, gasoline, abrasive powder or metal brush to clean any part of the appliance
4. Do not remove the waveguide cover
5. When the microwave oven has been used for a long time, there may be some strange odors exist in oven, Following 3 methods can get rid of them:
  - Place several lemon slices in a cup, then heat with high Micro Power for 2-3 min.
  - Place a cup of red tea in oven, then heat with high micro power.
  - Put some orange peel into oven, and then heat them with high Micro Power for 1 minute.



**WARNING:** Only allow children to use the oven without supervision when adequate instructions have been given so that the child is able to use the oven in a safe way and understands the hazards of improper use;

### 6.2 Tips for cleaning

Details for cleaning door seals, cavity and adjacent parts:

#### **Exterior:**

- Wipe the enclosure with a dampened soft cloth

#### **Door:**

- Using a dampened soft cloth, wipe clean the door and window
- Wipe the door seals and adjacent parts to remove any spill or spatter
- Wipe the control panel with a slightly dampened soft cloth

#### **Interior walls:**

- Wipe clean the cavity with a dampened soft cloth
- Wipe clean the waveguide cover to remove any food splashed

#### **Turntable/ Rotation ring/ Rotation axis:**

- Wash with mild soap water
- Rinse with clean water and allow drying thoroughly

### 6.3 Storage

- If you do not intend to use the appliance for a long time, please store it carefully.
- Please make sure that the appliance is unplugged, cooled down and totally dry.
- Store the appliance in a cool and dry place.
- Keep the appliance out of the reach of children.

## 7 Utensils guideline

It is strongly recommended to use the containers which are suitable and safe for microwave cooking. Generally speaking, the containers which are made of heat-resistant ceramic, glass or plastic are suitable for microwave cooking. Never use the metal containers for microwave cooking and combination cooking as spark is likely to occur. You can take the reference of below table.

Material of container	Microwave	Notes
Heat-resistant ceramic	Yes	Never use the ceramics which are decorated with metal rim or glazed
Heat-resistant plastic	Yes	Can not be used for long time microwave cooking
Heat-resistant glass	Yes	
Plastic film	Yes	It should not be used when cooking meat or chops as the over-temperature may do damage to the film
Grill rack	No	
Metal container	No	It should not be used in microwave oven. Microwave can not penetrate through metal
Lacquer	No	Poor heat-resistant. Can not be used for high-temperature cooking
Bamboo wood and paper	No	Poor heat-resistant. Can not be used for high-temperature cooking



## Product Guarantee

### 12 months breakdown and repair guarantee

Guarantor: **Beko plc, 1 Greenhill Crescent, Watford, Hertfordshire. WD18 8UF**

The guarantee does not in any way diminish your statutory or legal rights.

Your **microwave** has the benefit of our manufacturer's guarantee which covers the product for 12 months from the date of original purchase.

This gives you reassurance that if within that time, your **microwave** is proven to be defective because of either workmanship or materials, we will at our discretion either repair or replace your **microwave**.

The **microwave** must be correctly installed, located and operated in accordance with the instructions contained in the user manual. The guarantor disclaims any liability for accidental or consequential damage.

The Guarantee is subject to the following conditions:

- Documentary proof of the original purchase date is provided.
- The microwave has been installed and operated correctly and in accordance with our operating and maintenance instructions.
- The microwave is used only on the electricity supply on the rating plate.
- The microwave has only been used for normal domestic purposes.
- The microwave has not been altered, serviced, dismantled or otherwise interfered with by any person.
- The microwave is used in the United Kingdom or Republic of Ireland.
- Any parts removed during repair work or any product that has been replaced becomes our property.
- The guarantee is not transferrable if the product is resold.

The Guarantee does not cover:

- Transit, installation or delivery damage.
- Accidental damage.
- Misuse or abuse.
- Replacement of any consumable item or accessories. These include but are not limited to: plugs, cables, light bulbs, knobs, filters and flaps.
- Repairs or replacements required as a result of unauthorised repairs or inexpert installation that fails to meet the requirements contained in the user guide or instruction book.
- Repairs to products used in commercial or non-residential household premises.

### How to obtain after sales service, help or general advice

**Please keep your purchase receipt or other proof of purchase in a safe place as you will need to show us this document if your product requires attention within the guarantee period.**

Please also record your product details below, which will allow you to access our services more quickly and help us identify your product. The model number is printed on the front of the user guide and the serial and model number is shown on your products rating plate.

Model number	Serial number	Purchased from	Date of purchase

Please call our UK based Customer Service department if you need help or advice from us:

United Kingdom and Northern Ireland: **0333 207 9710**

Republic of Ireland: **01 862 3411**

You can also contact us through our website: **[www.beko.co.uk](http://www.beko.co.uk)**



Arçelik A.Ş.

Karaağaç Cad. No: 2-6, Söğütözü, 34445

İstanbul, Türkiye

[www.beko.co.uk](http://www.beko.co.uk)



## Free Manuals Download Website

<http://myh66.com>

<http://usermanuals.us>

<http://www.somanuals.com>

<http://www.4manuals.cc>

<http://www.manual-lib.com>

<http://www.404manual.com>

<http://www.luxmanual.com>

<http://aubethermostatmanual.com>

Golf course search by state

<http://golfingnear.com>

Email search by domain

<http://emailbydomain.com>

Auto manuals search

<http://auto.somanuals.com>

TV manuals search

<http://tv.somanuals.com>