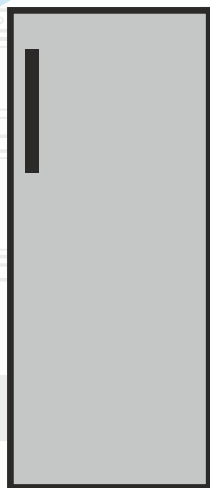


**Refrigerator**  
**Réfrigérateur**  
**Køleskab**  
**Kylskåp**  
**Kjøleskap**  
**Jääkaappi**  
**Refrigerador**  
**Frigorifero**

Instruction of use  
Notice d'utilisation  
Brugsvejledning  
Instruktionsmanual  
Bruksanvisning  
Käyttöohjekirja  
Instrucciones para el uso  
Istruzioni per l'uso



**RSSA315K21W**

**EN | FR | DA | SV | NO | FI | ES | IT**

**beko**



## Please read this user manual first

Dear Customer,

We hope that your product, which has been produced in modern plants and checked under the most meticulous quality control procedures, will provide you an effective service.

Therefore, read this entire user manual carefully before using the product and keep it as a reference. If you handover the product to someone else, give the user manual as well.




## The user manual will help you use the product in a fast and safe way.

- Read the manual before installing and operating the product.
- Make sure you read the safety instructions.
- Keep the manual in an easily accessible place as you may need it later.
- Read the other documents given with the product.

Remember that this user manual is also applicable for several other models. Differences between models will be identified in the manual.

## Explanation of symbols

Throughout this user manual the following symbols are used:

-  Important information or useful tips.
-  Warning against dangerous conditions for life and property.
-  Warning against electric voltage.



### **WARNING!**

In order to ensure a normal operation of your refrigerating appliance, which uses a completely environmentally friendly refrigerant the R600a (flammable only under certain conditions) you must observe the following rules:

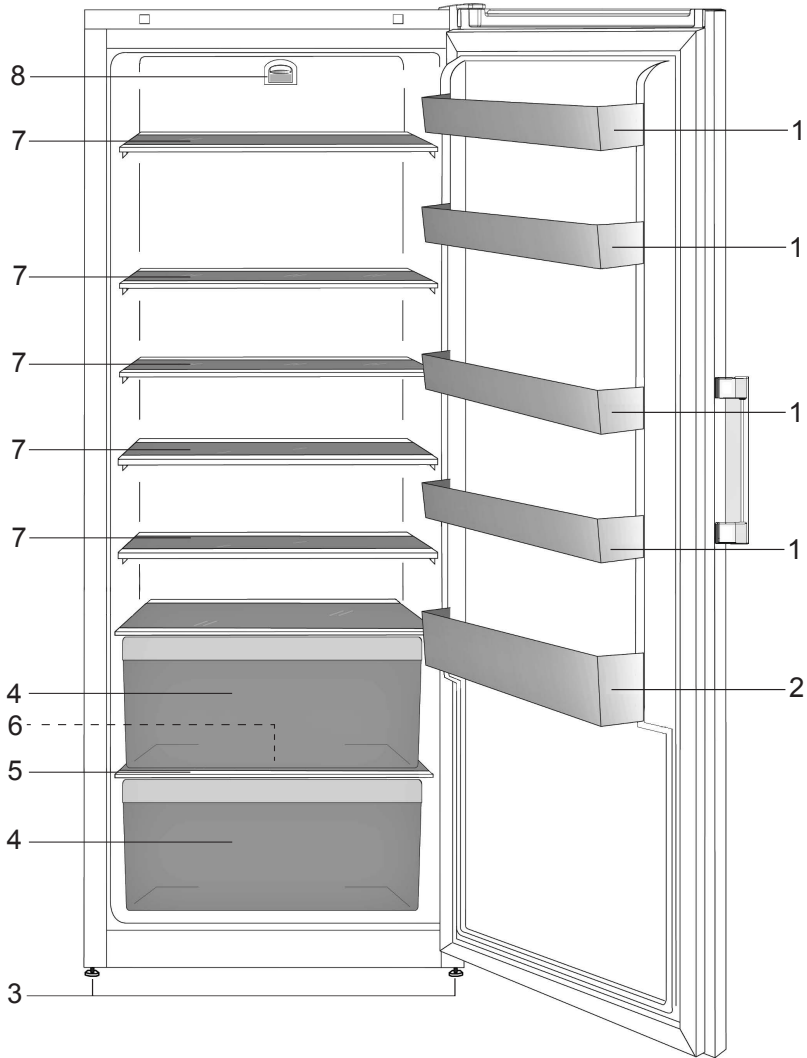
- Do not hinder the free circulation of the air around the appliance.
- Do not use mechanical devices in order to accelerate the defrosting, others than the ones recommended by the manufacturer.
- Do not destroy the refrigerating circuit.
- Do not use electric appliances inside the food keeping compartment, other than those that might have been recommended by the manufacturer.

# CONTENTS

---

<b>1 Your refrigerator</b>	<b>3</b>	<b>4 Preparation</b>	<b>10</b>
<b>2 Important Safety Warnings</b>	<b>4</b>	<b>5 Using your refrigerator</b>	<b>11</b>
Intended use .....	4	Setting the operating temperature ...	11
General safety .....	4	Using interior compartments.....	11
For products with a water dispenser...	5	Cooling.....	11
Child safety.....	5	Defrost .....	12
Compliance with the WEEE Regulation and Disposing of the Waste Product..	6	Stopping your product.....	12
Package information.....	6	<b>6 Maintenance and cleaning</b>	<b>13</b>
HCA warning.....	6	Protection of plastic surfaces .....	13
Things to be done for energy saving ..	6	<b>7 Troubleshooting</b>	<b>14</b>
<b>3 Installation</b>	<b>7</b>		
Points to be paid attention to when the relocation of the refrigerator.....	7		
Before you start the refrigerator .....	7		
Electrical connection.....	7		
Disposing of the packaging .....	8		
Disposing of your old refrigerator .....	8		
Placing and Installation .....	8		
Replacing the interior lamp.....	8		
Reversing the doors .....	9		

# 1 Your refrigerator



- 1. Adjustable door shelves
- 2. Bottle shelf
- 3. Adjustable front feet
- 4. Crisper
- 5. Crisper cover
- 6. Defrost water collection channel - drain tube
- 7. Movable shelves
- 8. Light bulb and thermostat box

**i** Figures that take place in this instruction manual are schematic and may not correspond exactly with your product. If the subject parts are not included in the product you have purchased, then it is valid for other models.

## 2 Important Safety Warnings

Please review the following information. Failure to observe this information may cause injuries or material damage. Otherwise, all warranty and reliability commitments will become invalid.

Original Spare parts will be provided for 10 years, following the product purchasing date.

### Intended use

This product is intended to be used:

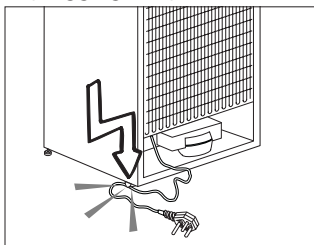
- indoors and in closed areas such as homes;
- in closed working environments such as stores and offices;
- in closed accommodation areas such as farm houses, hotels, pensions.
- It should not be used outdoors.

### General safety

- When you want to dispose/scrap the product, we recommend you to consult the authorized service in order to learn the required information and authorized bodies.
- Consult your authorized service for all your questions and problems related to the refrigerator. Do not intervene or let someone intervene to the refrigerator without notifying the authorised services.
- For products with a freezer compartment; Do not eat cone ice cream and ice cubes immediately after you take them out of the freezer compartment! (This may cause frostbite in your mouth.)
- For products with a freezer compartment; Do not put bottled and canned liquid beverages in the freezer compartment. Otherwise, these may burst.
- Do not touch frozen food by hand; they may stick to your hand.
- Unplug your refrigerator before cleaning or defrosting.

- Vapor and vaporized cleaning materials should never be used in cleaning and defrosting processes of your refrigerator. In such cases, the vapor may get in contact with the electrical parts and cause short circuit or electric shock.
- Never use the parts on your refrigerator such as the door as a means of support or step.
- Do not use electrical devices inside the refrigerator.
- Do not damage the parts, where the refrigerant is circulating, with drilling or cutting tools. The refrigerant that might blow out when the gas channels of the evaporator, pipe extensions or surface coatings are punctured causes skin irritations and eye injuries.
- Do not cover or block the ventilation holes on your refrigerator with any material.
- Electrical devices must be repaired by only authorised persons. Repairs performed by incompetent persons create a risk for the user.
- In case of any failure or during a maintenance or repair work, disconnect your refrigerator's mains supply by either turning off the relevant fuse or unplugging your appliance.
- Do not pull by the cable when pulling off the plug.
- Place the beverage with higher proofs tightly closed and vertically.
- Never store spray cans containing flammable and explosive substances in the refrigerator.
- Do not use mechanical devices or other means to accelerate the defrosting process, other than those recommended by the manufacturer.
- This product is not intended to be used by persons with physical, sensory or mental disorders or unlearned or inexperienced people (including children) unless they are attended by a person who will be responsible for their safety or who will instruct them accordingly for use of the product.

- Do not operate a damaged refrigerator. Consult with the service agent if you have any concerns.
- Electrical safety of your refrigerator shall be guaranteed only if the earth system in your house complies with standards.
- Exposing the product to rain, snow, sun and wind is dangerous with respect to electrical safety.
- Contact authorized service when there is a power cable damage to avoid danger.
- Never plug the refrigerator into the wall outlet during installation. Otherwise, risk of death or serious injury may arise.
- This refrigerator is intended for only storing food items. It must not be used for any other purpose.
- Label of technical specifications is located on the left wall inside the refrigerator.
- Never connect your refrigerator to electricity-saving systems; they may damage the refrigerator.
- If there is a blue light on the refrigerator do not look at the blue light with optical tools.
- For manually controlled cooler/freezers, wait for at least 5 minutes to start the refrigerator after power failure.
- This operation manual should be handed in to the new owner of the product when it is given to others.
- Avoid causing damage on power cable when transporting the refrigerator. Bending cable may cause fire. Never place heavy objects on power cable.
- Do not touch the plug with wet hands when plugging the product.
- Do not spray substances containing inflammable gases such as propane gas near the refrigerator to avoid fire and explosion risk.
- Never place containers filled with water on top of the refrigerator; in the event of spillages, this may cause electric shock or fire.
- Do not overload the refrigerator with food. If overloaded, the food items may fall down and hurt you and damage refrigerator when you open the door.
- Never place objects on top of the refrigerator; otherwise, these objects may fall down when you open or close the refrigerator's door.
- As they require a precise temperature, vaccines, heat-sensitive medicine and scientific materials and etc. should not be kept in the refrigerator.
- If not to be used for a long time, refrigerator should be unplugged. A possible problem in power cable may cause fire.
- The plug's tip should be cleaned regularly with a dry cloth; otherwise, it may cause fire.
- Refrigerator may move if adjustable legs are not properly secured on the floor. Properly securing adjustable legs on the floor can prevent the refrigerator to move.
- When carrying the refrigerator, do not hold it from door handle. Otherwise, it may be snapped.
- When you have to place your product next to another refrigerator or freezer, the distance between devices should be at least 8 cm. Otherwise, adjacent side walls may be humidified.



- Do not plug the refrigerator if the wall outlet is loose.
- Water should not be sprayed on inner or outer parts of the product for safety purposes.

### **For products with a water dispenser;**

Pressure of water mains should be minimum 1 bar. Pressure of water mains should be maximum 8 bars.

- Use only potable water.

### **Child safety**

- If the door has a lock, the key should be kept away from reach of children.
- Children must be supervised to prevent them from tampering with the product.

## Compliance with the WEEE Regulation and Disposing of the Waste Product

This product does not contain harmful and forbidden materials described in the "Regulation on the Control of the Waste Electrical and Electronic Equipment" issued by the T.R. Ministry of Environment and City Planning. Complies with the WEEE Regulation.



This product has been manufactured with high quality parts and materials which can be reused and are suitable for recycling. Therefore,

do not dispose the product with normal domestic waste at the end of its service life. Take it to a collection point for the recycling of electrical and electronic equipment. Please consult your local authorities to learn the nearest collection point. Help protect the environment and natural resources by recycling used products. For children's safety, cut the power cable and break the locking mechanism of the door, if any, so that it will be non-functional before disposing of the product.

## Package information

Packaging materials of the product are manufactured from recyclable materials in accordance with our National Environment Regulations. Do not dispose of the packaging materials together with the domestic or other wastes. Take them to the packaging material collection points designated by the local authorities.

### Do not forget...

Any recycled substance is an indispensable matter for nature and our national asset wealth. If you want to contribute to the reevaluation of the packaging materials, you can consult to your environmentalist organizations or the municipalities where you are located.

## HCA warning If your product's cooling system contains R600a:

This gas is flammable. Therefore, pay attention to not damaging the cooling system and piping during usage and transportation. In the event of damage, keep your product away from potential fire sources that can cause the product catch a fire and ventilate the room in which the unit is placed.

### Ignore this warning if your product's cooling system contains R134a.

Type of gas used in the product is stated in the type label which is on the left wall inside the refrigerator. Never throw the product in fire for disposal.

## Things to be done for energy saving

- Do not leave the doors of your refrigerator open for a long time.
- Do not put hot food or drinks in your refrigerator.
- Do not overload your refrigerator so that the air circulation inside of it is not prevented.
- Do not install your refrigerator under direct sunlight or near heat emitting appliances such as ovens, dishwashers or radiators. Keep your refrigerator at least 30 cm away from heat emitting sources and at least 5 cm from electrical ovens.
- Pay attention to keep your food in closed containers.
- For products with a freezer compartment; You can store maximum amount of food items in the freezer when you remove the shelf or drawer of the freezer. Energy consumption value stated for your refrigerator has been determined by removing freezer shelf or drawer and under maximum load. There is no harm to use a shelf or drawer according to the shapes and size of food to be frozen.
- Thawing frozen food in fridge compartment will both provide energy saving and preserve the food quality.



### 3 Installation

⚠ In case the information which are given in the user manual are not taken into account, manufacturer will not assume any liability for this.

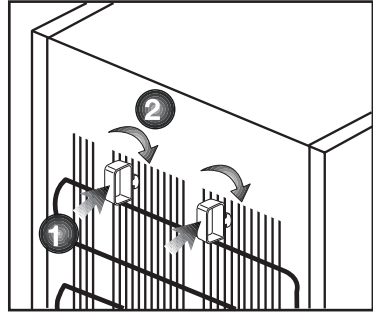
#### Points to be paid attention to when the relocation of the refrigerator

1. Your refrigerator should be unplugged. Before transportation of your refrigerator, it should be emptied and cleaned.
2. Before it is re-packaged, shelves, accessories, crisper, etc. inside your refrigerator should be fixed with adhesive tape and secured against impacts. Package should be bound with a thick tape or sound ropes and the transportation rules on the package should be strictly observed.
3. Original packaging and foam materials should be kept for future transportations or moving.

#### Before you start the refrigerator,

Check the following before you start to use your refrigerator:

1. Is the interior of the refrigerator dry, and can the air circulate freely in the rear of it?
2. Attach 2 plastic wedges as illustrated below. Plastic wedges are intended to keep the distance which will ensure the air circulation between your refrigerator and the wall. (The picture is drawn up as a representation and it is not identical with your product.)



3. Clean the interior of the refrigerator as recommended in the “Maintenance and cleaning” section.
4. Connect the plug of the refrigerator to the wall socket. When the fridge door is opened, fridge internal lamp will turn on.
5. When the compressor starts to operate, a sound will be heard. The liquid and gases sealed within the refrigeration system may also give rise to noise, even if the compressor is not running and this is quite normal.
6. Front edges of the refrigerator may feel warm. This is normal. These areas are designed to be warm to avoid condensation.

#### Electrical connection

Connect your product to a grounded socket which is being protected by a fuse with the appropriate capacity.

Important:

The connection must be in compliance with national regulations.

- The power plug must be easily accessible after installation.
- Electrical safety of your refrigerator shall be guaranteed only if the earth system in your house complies with standards.
- The voltage stated on the label located at left inner side of your product should be equal to your network voltage.
- **Extension cables and multi plugs must not be used for connection.**

- ⚠ A damaged power cable must be replaced by a qualified electrician.
- ⚠ Product must not be operated before it is repaired! There is the risk of electric shock!

## Disposing of the packaging

The packing materials may be dangerous for children. Keep the packing materials out of the reach of children or dispose of them by classifying them in accordance with the waste instructions stated by your local authorities. Do not throw away with regular house waste, throw away on packaging pick up spots designated by the local authorities. The packing of your refrigerator is produced from recyclable materials.

## Disposing of your old refrigerator

Dispose of your old refrigerator without giving any harm to the environment.

- You may consult your authorized dealer or waste collection center of your municipality about the disposal of your refrigerator.

Before disposing of your refrigerator, cut out the electric plug and, if there are any locks on the door, make them inoperable in order to protect children against any danger.

## Placing and Installation

⚠ If the entrance door of the room where the refrigerator will be installed is not wide enough for the refrigerator to pass through, then call the authorized service to have them remove the doors of your refrigerator and pass it sideways through the door.

1. Install your refrigerator to a place that allows ease of use.
2. Keep your refrigerator away from heat sources, humid places and direct sunlight.
3. There must be appropriate air ventilation around your refrigerator in order to achieve an efficient operation. If the refrigerator is to be placed in a recess in the wall, there must be at least 5 cm distance with the ceiling and at least 5 cm with the wall. Do not place your product on the materials such as rug or carpet.
4. Place your refrigerator on an even floor surface to prevent jolts.
5. Do not keep your refrigerator in ambient temperatures under 10°C.

## Replacing the interior lamp

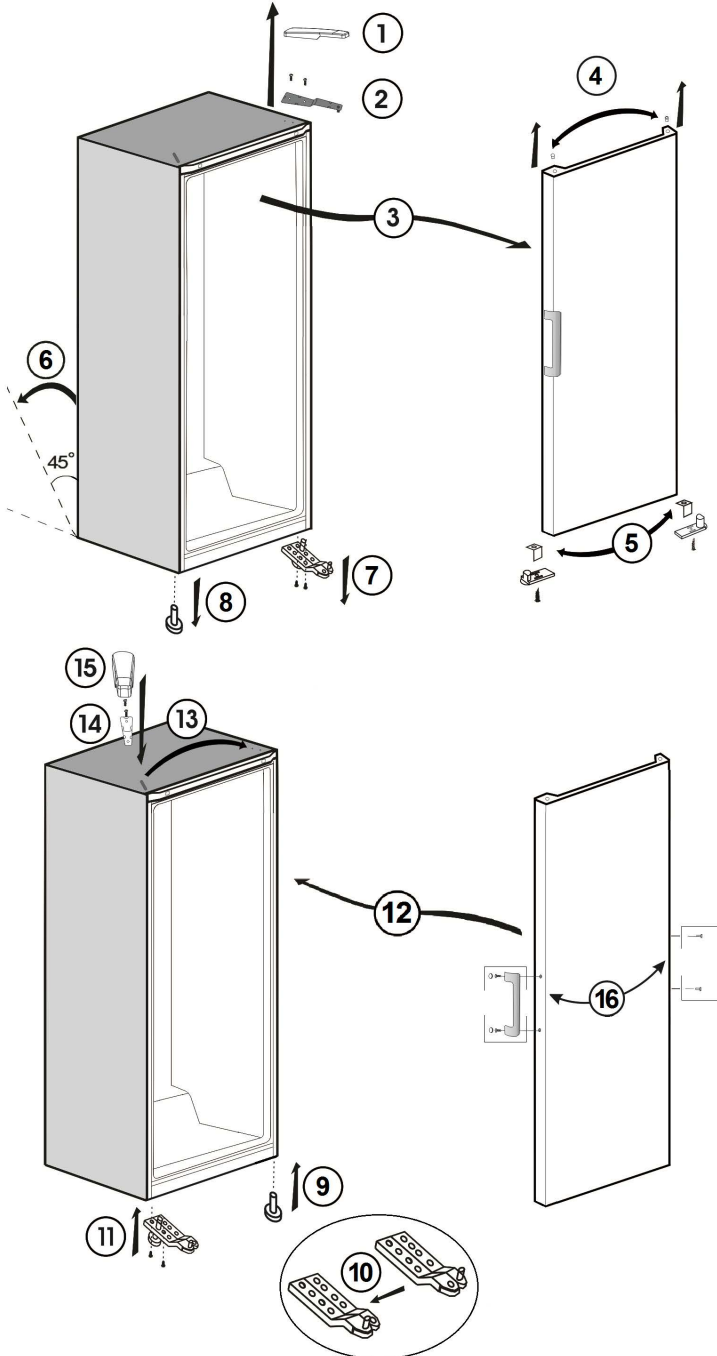
To change the Bulb/LED used for illumination of your refrigerator, call your Authorised Service.

The lamp (s) used in this appliance is not suitable for household room illumination. The intended purpose of this lamp is to assist the user to place foodstuffs in the refrigerator/freezer in a safe and comfortable way.

The lamps used in this appliance have to withstand extreme physical conditions such as temperatures below -20°C.

# Reversing the doors

Proceed in numerical order.



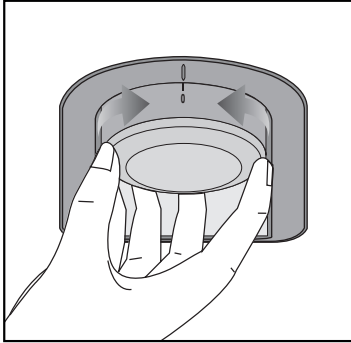
## 4 Preparation

---

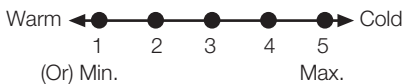
- Your refrigerator should be installed at least 30 cm away from heat sources such as hobs, ovens, central heater and stoves and at least 5 cm away from electrical ovens and should not be located under direct sunlight.
- The ambient temperature of the room where you install your refrigerator should at least be 10°C. Operating your refrigerator under cooler conditions is not recommended with regard to its efficiency.
- Please make sure that the interior of your refrigerator is cleaned thoroughly.
- If two cooler/freezers are to be installed side by side, there should be at least 2 cm distance between them.
- When you operate your refrigerator for the first time, please observe the following instructions during the initial six hours.
- The door should not be opened frequently.
- It must be operated empty without any food in it.
- Do not unplug your refrigerator. If a power failure occurs out of your control, please see the warnings in the **“Troubleshooting”** section.
- Original packaging and foam materials should be kept for future transportations or moving.

## 5 Using your refrigerator

### Setting the operating temperature



The operating temperature is regulated by the temperature control.



**1 = Lowest cooling setting (Warmest setting)**

**5 = Highest cooling setting (Coldest setting)**

(Or)

**Min. = Lowest cooling setting (Warmest setting)**

**Max. = Highest cooling setting (Coldest setting)**

The average temperature inside the fridge should be around +5°C.

Please choose the setting according to the desired temperature.

Please note that there will be different temperatures in the cooling area. The coldest region is immediately above the vegetable compartment.

The interior temperature also depends on ambient temperature, the frequency with which the door is opened and the amount of foods kept inside.

Frequently opening the door causes the interior temperature to rise. For this reason, it is recommended to close the door again as soon as possible after use.

### Using interior compartments

**Movable shelves:** Distance between the shelves can be adjusted when necessary.

**Vegetable drawer:** Vegetables and fruits can be stored in this compartment for long periods without decaying.

**Bottle shelf:** Bottles, jars and tins can be placed in these shelves.

### Cooling

#### Food storage

The fridge compartment is for the short-term storage of fresh food and drinks.

Store milk products in the intended compartment in the refrigerator.

Bottles can be stored in the bottle holder or in the bottle shelf of the door.

Raw meat is best kept in a polyethylene bag in the compartment at the very bottom of the refrigerator.

Allow hot foods and beverages to cool to room temperature prior to placing them in the refrigerator.

- Attention

Store concentrated alcohol only standing upright and tightly closed.

- Attention

Do not store explosive substances or containers with flammable propellant gases (canned cream, spray cans etc.) in the device. There is a danger of explosion.

## Defrost

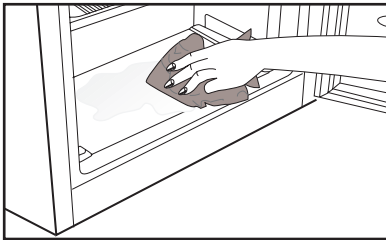
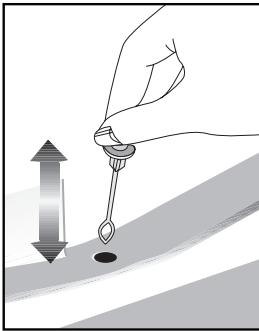
The fridge compartment defrosts automatically.

The thawing water flows through the drain channel into a collection container at the rear of the device.

During defrosting, water droplets form at the back of the fridge due to the evaporator.

If not all of the drops run down, they may freeze again after defrosting remove them with a cloth soaked in warm water, but never with a hard or sharp object.

Check the flow of the thawed water from time to time. It may become plugged occasionally.



## Stopping your product

If your thermostat is equipped with “0” position:

- Your product will stop operating when you turn the thermostat button to “0” (zero) position. Your product will not start unless to you turn the thermostat button to position “1” or one of the other positions again.

If your thermostat is equipped with “min” position:

- Unplug your product to stop it.

## 6 Maintenance and cleaning

---

- ⚠ Never use gasoline, benzene or similar substances for cleaning purposes.
- ⚠ We recommend that you unplug the appliance before cleaning.
- ⚠ Never use any sharp abrasive instrument, soap, household cleaner, detergent and wax polish for cleaning.
- ℹ Use lukewarm water to clean the cabinet of your refrigerator and wipe it dry.
- ℹ Use a damp cloth wrung out in a solution of one teaspoon of bicarbonate of soda to one pint of water to clean the interior and wipe it dry.
- ⚠ Make sure that no water enters the lamp housing and other electrical items.
- ⚠ If your refrigerator is not going to be used for a long period of time, unplug the power cable, remove all food, clean it and leave the door ajar.
- ℹ Check door seals regularly to ensure they are clean and free from food particles.
- ⚠ To remove door racks, remove all the contents and then simply push the door rack upwards from the base.
- ⚠ Never use cleaning agents or water that contain chlorine to clean the outer surfaces and chromium coated parts of the product. Chlorine causes corrosion on such metal surfaces.

### Protection of plastic surfaces

- ℹ Do not put the liquid oils or oil-cooked meals in your refrigerator in unsealed containers as they damage the plastic surfaces of your refrigerator. In case of spilling or smearing oil on the plastic surfaces, clean and rinse the relevant part of the surface at once with warm water.

## 7 Troubleshooting

Please review this list before calling the service. It will save your time and money. This list includes frequent complaints that are not arising from defective workmanship or material usage. Some of the features described here may not exist in your product.

### The refrigerator does not operate.

- The plug is not inserted into the socket correctly. >>>Insert the plug into the socket securely.
- The fuse of the socket which your refrigerator is connected to or the main fuse have blown out. >>>Check the fuse.

### Condensation on the side wall of the fridge compartment (MULTIZONE, COOL CONTROL and FLEXI ZONE).

- Ambient is very cold. >>>Do not install the refrigerator in places where the temperature falls below 10°C.
- Door has been opened frequently. >>>Do not open and close the door of refrigerator frequently.
- Ambient is very humid. >>>Do not install your refrigerator into highly humid places.
- Food containing liquid is stored in open containers. >>>Do not store food with liquid content in open containers.
- Door of the refrigerator is left ajar. >>>Close the door of the refrigerator.
- Thermostat is set to a very cold level. >>>Set the thermostat to a suitable level.

### Compressor is not running.

- Protective thermic of the compressor will blow out during sudden power failures or plug-out plug-ins as the refrigerant pressure in the cooling system of the refrigerator has not been balanced yet. The refrigerator will start running approximately after 6 minutes. Please call the service if the refrigerator does not startup at the end of this period.
- The fridge is in defrost cycle. >>>This is normal for a full-automatically defrosting refrigerator. Defrosting cycle occurs periodically.
- The refrigerator is not plugged into the socket. >>>Make sure that the plug is fit in o the socket.
- Temperature settings are not made correctly. >>>Select the suitable temperature value.
- There is a power outage. >>> Refrigerator returns to normal operation when the power restores.



The operation noise increases when the refrigerator is running.
<ul style="list-style-type: none"> <li>The operating performance of the refrigerator may change due to the changes in the ambient temperature. It is normal and not a fault.</li> </ul>
The refrigerator is running frequently or for a long time.
<ul style="list-style-type: none"> <li>New product may be wider than the previous one. Larger cooler/freezers operate for a longer period of time.</li> <li>The room temperature may be high. &gt;&gt;&gt;It is normal that the product operates for longer periods in hot ambient.</li> <li>The refrigerator might be plugged in recently or might be loaded with food. &gt;&gt;&gt;When the refrigerator is plugged in or loaded with food recently, it will take longer for it to attain the set temperature. This is normal.</li> <li>Large amounts of hot food might be put in the refrigerator recently. &gt;&gt;&gt;Do not put hot food into the refrigerator.</li> <li>Doors might be opened frequently or left ajar for a long time. &gt;&gt;&gt;The warm air that has entered into the refrigerator causes the refrigerator to run for longer periods. Do not open the doors frequently.</li> <li>Freezer or fridge compartment door might be left ajar. &gt;&gt;&gt;Check if the doors are closed completely.</li> <li>The refrigerator is adjusted to a very low temperature. &gt;&gt;&gt;Adjust the refrigerator temperature to a warmer degree and wait until the temperature is achieved.</li> <li>Door seal of the fridge or freezer may be soiled, worn out, broken or not properly seated. &gt;&gt;&gt;Clean or replace the seal. Damaged/broken seal causes the refrigerator to run for a longer period of time in order to maintain the current temperature.</li> </ul>
Freezer temperature is very low while the fridge temperature is sufficient.
<ul style="list-style-type: none"> <li>The freezer temperature is adjusted to a very low value. &gt;&gt;&gt;Adjust the freezer temperature to a warmer degree and check.</li> </ul>
Fridge temperature is very low while the freezer temperature is sufficient.
<ul style="list-style-type: none"> <li>The fridge temperature is adjusted to a very low value. &gt;&gt;&gt;Adjust the fridge temperature to a warmer degree and check.</li> </ul>
Food kept in the fridge compartment drawers is frozen.
<ul style="list-style-type: none"> <li>The fridge temperature is adjusted to a very high value. &gt;&gt;&gt;Adjust the fridge temperature to a lower value and check.</li> </ul>

Temperature in the fridge or freezer is very high.
<ul style="list-style-type: none"> <li>• The fridge temperature is adjusted to a very high value. &gt;&gt;&gt;Fridge compartment temperature setting has an effect on the temperature of the freezer. Change the temperatures of the fridge or freezer and wait until the relevant compartments attain a sufficient temperature.</li> <li>• Doors are opened frequently or left ajar for a long time. &gt;&gt;&gt;Do not open the doors frequently.</li> <li>• Door is ajar. &gt;&gt;&gt;Close the door completely.</li> <li>• The refrigerator is plugged in or loaded with food recently. &gt;&gt;&gt;This is normal. When the refrigerator is plugged in or loaded with food recently, it will take longer for it to attain the set temperature.</li> <li>• Large amounts of hot food might be put in the refrigerator recently. &gt;&gt;&gt;Do not put hot food into the refrigerator.</li> </ul>
Vibrations or noise.
<ul style="list-style-type: none"> <li>• The floor is not level or stable. &gt;&gt;&gt; If the refrigerator rocks when moved slowly, balance it by adjusting its feet. Also make sure that the floor is strong enough to carry the refrigerator, and level.</li> <li>• The items put onto the refrigerator may cause noise. &gt;&gt;&gt;Remove the items on top of the refrigerator.</li> </ul>
There are noises coming from the refrigerator like liquid flowing, spraying, etc.
<ul style="list-style-type: none"> <li>• Liquid and gas flows occur in accordance with the operating principles of your refrigerator. It is normal and not a fault.</li> </ul>
Whistle comes from the refrigerator.
<ul style="list-style-type: none"> <li>• Fans are used in order to cool the refrigerator. It is normal and not a fault.</li> </ul>
Condensation on the inner walls of refrigerator.
<ul style="list-style-type: none"> <li>• Hot and humid weather increases icing and condensation. It is normal and not a fault.</li> <li>• Doors are opened frequently or left ajar for a long time. &gt;&gt;&gt;Do not open the doors frequently. Close them if they are open.</li> <li>• Door is ajar. &gt;&gt;&gt;Close the door completely.</li> </ul>
Humidity occurs on the outside of the refrigerator or between the doors.
<ul style="list-style-type: none"> <li>• There might be humidity in the air; this is quite normal in humid weather. When the humidity is less, condensation will disappear.</li> </ul>
Bad odour inside the refrigerator.
<ul style="list-style-type: none"> <li>• No regular cleaning is performed. &gt;&gt;&gt;Clean the inside of the refrigerator regularly with a sponge, lukewarm water or carbonate dissolved in water.</li> <li>• Some containers or package materials may cause the smell. &gt;&gt;&gt;Use a different container or different brand packaging material.</li> <li>• Food is put into the refrigerator in uncovered containers. &gt;&gt;&gt;Keep the food in closed containers. Microorganisms spreading out from uncovered containers can cause unpleasant odours.</li> <li>• Remove the foods that have expired best before dates and spoiled from the refrigerator.</li> </ul>
The door is not closing.
<ul style="list-style-type: none"> <li>• Food packages are preventing the door from closing. &gt;&gt;&gt;Replace the packages that are obstructing the door.</li> <li>• The refrigerator is not completely even on the floor. &gt;&gt;&gt;Adjust the feet to balance the refrigerator.</li> <li>• The floor is not level or strong. &gt;&gt;&gt;Make sure that the floor is level and capable to carry the refrigerator.</li> </ul>
Crispers are stuck.
<ul style="list-style-type: none"> <li>• The food is touching the ceiling of the drawer. &gt;&gt;&gt;Rearrange food in the drawer.</li> </ul>

## **Veillez d'abord lire la notice d'utilisation !**

Chère cliente, cher client,

Nous espérons que votre produit, qui a été fabriqué dans des usines modernes et vérifié au terme des procédures de contrôle de qualité les plus méticuleuses, vous rendra satisfaction.




Pour cette raison, nous vous conseillons de lire attentivement tout le manuel d'utilisation de votre produit avant de vous en servir, et de le conserver ensuite pour une utilisation ultérieure.

### **Le présent manuel**

- Vous aidera à utiliser votre produit avec rapidité et sécurité.
  - Lisez le manuel avant d'installer et de faire fonctionner votre produit.
  - Respectez les instructions, notamment celles relatives à la sécurité.
  - Conservez ce manuel dans un endroit facilement accessible car vous pouvez en avoir besoin ultérieurement.
  - En plus, lisez également les autres documents fournis avec votre produit.
- Veillez noter que ce manuel peut également être valide pour d'autres modèles.

### **Symboles et descriptions**

Vous retrouverez les symboles suivants dans le présent manuel:

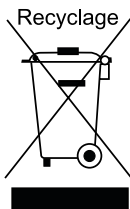
-  Informations importantes ou astuces.
-  Avertissement relatif aux conditions dangereuses pour la vie et la propriété.
-  Avertissement relatif à la tension électrique.



### **ATTENTION!**

Pour assurer un fonctionnement normal de votre appareil qui utilise un agent frigorigère écologique, R600a (inflammable seulement sous certaines conditions) vous devez respecter les règles suivantes:

- N'empêchez pas la libre circulation de l'air autour de l'appareil.
- N'utilisez pas des dispositifs mécaniques pour accélérer le dégivrage, autres que ceux recommandés par le fabricant.
- Ne détruisez pas le circuit frigorigère.
- N'utilisez pas des appareils électriques à l'intérieur du compartiment pour conserver les aliments, hormis celles qui sont éventuellement recommandés par le fabricant.



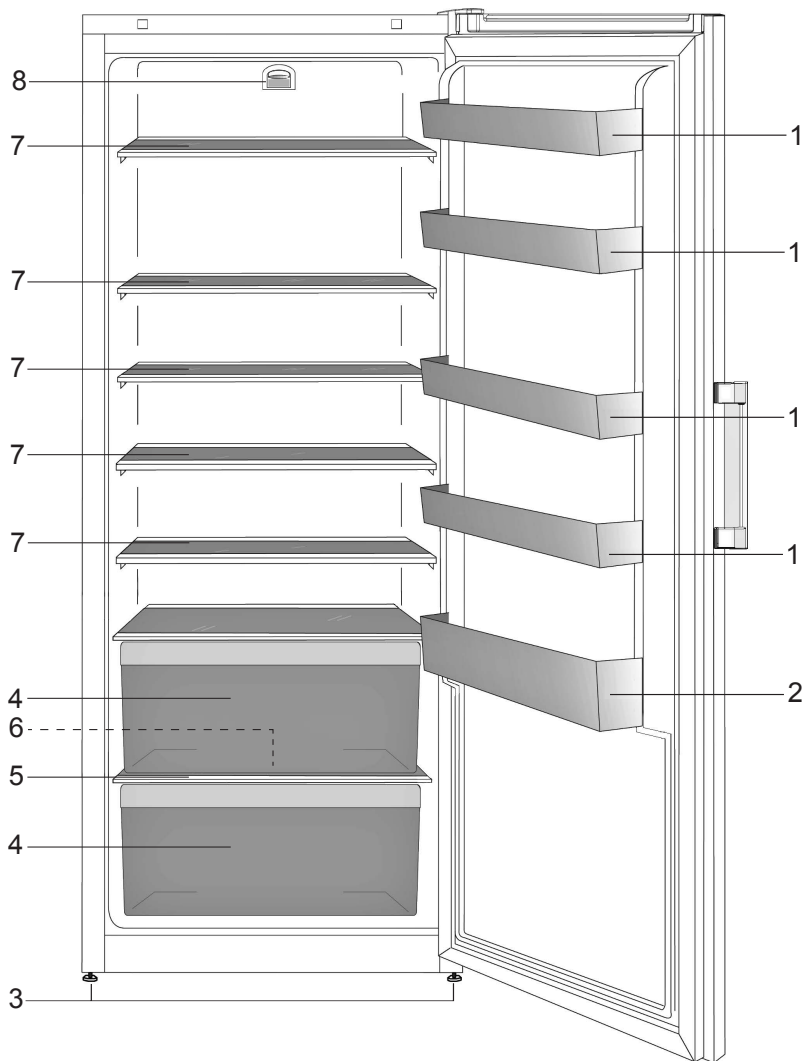
Ce produit est marqué du symbole du tri sélectif, relatif aux déchets d'équipements électriques et électroniques. Cela signifie que ce produit doit être pris en charge par un système de collecte sélectif conformément à la directive européenne 2002/96/CE, afin de pouvoir être recyclé ou démantelé dans le but de réduire tout impact sur l'environnement. Attention les produits électroniques n'ayant pas fait l'objet d'un tri sélectif sont potentiellement dangereux pour l'environnement et la santé humaine en raison de la présence potentielle de substances dangereuses.

## TABLE DES MATIÈRES

---

<b>1 Votre réfrigérateur</b>	<b>3</b>	<b>4 Préparation</b>	<b>10</b>
<b>2 Précautions de sécurité importantes</b>	<b>4</b>	<b>5 Utilisation du réfrigérateur</b>	<b>11</b>
Utilisation préconisée.....	4	Réglage de la température de fonctionnement .....	11
Sécurité générale.....	4	Utilisation des compartiments intérieurs.....	11
Pour les appareils dotés d'une fontaine à eau reliée à l'eau courante.....	6	Réfrigération .....	11
Sécurité enfants.....	6	Décongélation .....	12
Avertissement sur l'usage des fluides frigorigènes .....	6	Eteindre le produit .....	12
Mesures d'économie d'énergie.....	6	<b>6 Entretien et nettoyage</b>	<b>13</b>
<b>3 Installation</b>	<b>7</b>	Protection des surfaces en plastique. ....	13
Éléments à prendre en considération lors du déménagement de votre réfrigérateur .....	7	<b>7 Solutions recommandées aux problèmes</b>	<b>14</b>
Avant de mettre votre réfrigérateur en marche,.....	7		
Branchement électrique.....	7		
Mise au rebut de l'emballage .....	8		
Mise au rebut de votre ancien réfrigérateur .....	8		
Disposition et Installation .....	8		
Remplacement de l'ampoule intérieure .....	8		
Réversibilité des portes.....	9		

# 1 Votre réfrigérateur



- |                               |  |
|-------------------------------|--|
| 1. Balconnets réglables       | 6. Convoyeur d'eau de dégivrage et tube d'évacuation |
| 2. Balconnet range-bouteilles | 7. Clayettes en verre                                |
| 3. Pieds avant réglables      | 8. Ampoule et boîtier de thermostat                  |
| 4. Bac à légumes              |  |
| 5. Couvercle du bac à légumes |  |

**i** Les illustrations présentées dans cette notice d'utilisation sont schématiques et peuvent ne pas correspondre exactement à votre produit. Si des pièces présentées ne sont pas comprises dans le produit que vous avez acheté, elles sont valables pour d'autres modèles.

## 2 Précautions de sécurité importantes

Veillez examiner les informations suivantes: Le non respect de ces consignes peut entraîner des blessures ou dommages matériels. Sinon, tout engagement lié à la garantie et à la fiabilité du produit devient invalide.

Les pièces détachées d'origine sont disponibles pendant 10 ans, à compter de la date d'achat du produit.

### Utilisation préconisée

Ce produit est prévu pour une utilisation:

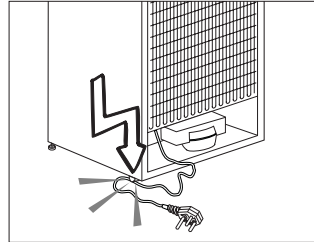
- en intérieur et dans des zones fermées telles que les maisons;
- dans les environnements de travail fermés, tels que les magasins et les bureaux;
- dans les lieux d'hébergement fermés, tels que les fermes, hôtels, pensions.
- Il ne doit pas être utilisé en extérieur.

### Sécurité générale

- Avant de vous débarrasser de votre appareil, veuillez consulter les autorités locales ou votre revendeur pour connaître le mode opératoire et les organismes de collecte agréés.
- Consultez le service après-vente agréé concernant toutes questions ou problèmes relatifs au réfrigérateur. N'intervenez pas ou ne laissez personne intervenir sur le réfrigérateur sans le communiquer au service après-vente agréé.
- Pour les produits équipés d'un compartiment congélateur: ne mangez pas de cônes de crème glacée ou des glaçons immédiatement après les avoir sortis du compartiment de congélation! (Cela pourrait provoquer des engelures dans votre bouche).
- Pour les produits équipés d'un compartiment congélateur: ne placez pas de boissons en bouteille ou en cannette dans le compartiment de congélation. Cela peut entraîner leur éclatement.

- Ne touchez pas des produits congelés avec les mains, ils pourraient se coller à celles-ci.
- Débranchez votre réfrigérateur avant de le nettoyer ou de le dégivrer.
- La vapeur et des matériaux de nettoyage pulvérisés ne doivent jamais être utilisés pour les processus de nettoyage ou de dégivrage de votre réfrigérateur. La vapeur pourrait pénétrer dans les pièces électriques et provoquer des courts-circuits ou des électrocutions.
- Ne jamais utiliser les pièces de votre réfrigérateur telles que la porte, comme un support ou une marche.
- N'utilisez pas d'appareils électriques à l'intérieur du réfrigérateur.
- N'endommagez pas les pièces où circule le liquide réfrigérant avec des outils de forage ou coupants. Le liquide réfrigérant qui pourrait s'échapper si les canalisations de gaz de l'évaporateur, les rallonges de tuyau ou les revêtements de surface étaient percés, peut irriter la peau et provoquer des blessures aux yeux.
- Ne pas couvrir ou obstruer les orifices de ventilation du réfrigérateur.
- Les appareils électriques peuvent être réparés seulement par des personnes autorisées. Les réparations réalisées par des personnes ne présentant pas les compétences requises peuvent présenter un risque pour l'utilisateur.
- En cas de dysfonctionnement ou lors d'opérations d'entretien ou de réparation, débranchez l'alimentation électrique du réfrigérateur soit en désactivant le fusible correspondant, soit en débranchant l'appareil.
- Ne tirez pas sur le câble lorsque vous débranchez la prise.
- Placez les boissons alcoolisées verticalement, dans des récipients convenablement fermés.
- Ne conservez jamais des aérosols contenant des substances inflammables et explosives dans le réfrigérateur.

- N'utilisez pas d'outils mécaniques ou autres dispositifs pour accélérer le processus de décongélation autres que ceux qui sont recommandés par le fabricant.
- Ce produit n'est pas conçu pour être utilisé par des personnes (enfants compris) souffrant de déficience physique, sensorielle, mentale, ou inexpérimentées, à moins d'avoir obtenu une autorisation auprès des personnes responsables de leur sécurité.
- Ne faites pas fonctionner un réfrigérateur endommagé. Consultez le service agréé en cas de problème.
- La sécurité électrique du réfrigérateur n'est assurée que si le système de mise à la terre de votre domicile est conforme aux normes en vigueur.
- L'exposition du produit à la pluie, la neige, au soleil ou au vent présente des risques concernant la sécurité électrique.
- Contactez le service agréé quand un câble d'alimentation est endommagé pour éviter tout danger.
- Ne branchez jamais le réfrigérateur à la prise murale au cours de l'installation. Vous vous exposeriez à un risque de mort ou à de blessures graves.
- Ce réfrigérateur est conçu seulement pour conserver des aliments. Par conséquent, il ne doit pas être utilisé à d'autres fins.
- L'étiquette avec les caractéristiques techniques est située sur le mur gauche à l'intérieur du réfrigérateur.
- Ne branchez jamais votre réfrigérateur à des systèmes d'économie d'énergie, cela peut l'endommager.
- S'il y a une lumière bleue sur le réfrigérateur, ne la regardez pas avec des outils optiques.
- Pour les réfrigérateurs contrôlés manuellement, attendez au moins 5 minutes pour allumer le réfrigérateur après une coupure de courant.
- Si cet appareil venait à changer de propriétaire, n'oubliez pas de remettre la présente notice d'utilisation au nouveau bénéficiaire.
- Évitez d'endommager le câble d'alimentation quand vous transportez le réfrigérateur. Tordre le câble peut entraîner un incendie. Ne placez jamais d'objets lourds sur le câble d'alimentation.
- Évitez de toucher à la prise avec des mains mouillées au moment de brancher l'appareil.



- Évitez de brancher le réfrigérateur lorsque la prise de courant électrique a lâché.
- Pour des raisons de sécurité, évitez de pulvériser directement de l'eau sur les parties externes et internes du réfrigérateur.
- Ne pulvériser pas de substances contenant des gaz inflammables comme du propane près du réfrigérateur pour éviter tout risque d'incendie et d'explosion.
- Ne placez jamais de récipients contenant de l'eau sur votre réfrigérateur, ils pourraient causer des chocs électriques ou un incendie.
- Évitez de surcharger le réfrigérateur avec une quantité excessive d'aliments. S'il est surchargé, les aliments peuvent tomber, vous blesser et endommager le réfrigérateur quand vous ouvrez la porte.
- Ne placez jamais d'objets au-dessus du réfrigérateur, ils pourraient tomber quand vous ouvrez ou fermez la porte du réfrigérateur.
- Les produits qui nécessitent un contrôle de température précis (vaccin, médicament sensible à la chaleur, matériels scientifiques, etc.) ne doivent pas être conservés dans le réfrigérateur.

- Si le réfrigérateur n'est pas utilisé pendant longtemps, il doit être débranché. Un problème avec le câble d'alimentation pourrait causer un incendie.
- Le bout de la prise électrique doit être nettoyé régulièrement à l'aide d'un chiffon sec, sinon il peut provoquer un incendie.
- Le réfrigérateur peut bouger si ses pieds réglables ne sont pas bien fixés sur le sol. Bien fixer les pieds réglables sur le sol peut empêcher le réfrigérateur de bouger.
- Quand vous transportez le réfrigérateur, ne le tenez pas par la poignée de la porte. Cela peut l'endommager.
- Quand vous devez placer votre produit près d'un autre réfrigérateur ou congélateur, la distance entre les appareils doit être d'au moins 8 cm. Sinon, les murs adjacents peuvent être humidifiés.

## **Pour les appareils dotés d'une fontaine à eau;**

- La pression de l'alimentation en eau doit être comprise entre 1 et 8 bars.
- Utilisez uniquement de l'eau potable.

## **Sécurité enfants**

- Si la porte a un verrouillage, la clé doit rester hors de portée des enfants.
- Les enfants doivent être surveillés et empêchés de s'amuser avec le produit.

## **Avertissement sur l'usage des fluides frigorigènes**

### **Si le système de refroidissement de votre appareil contient R600a:**

Ce gaz est inflammable. Par conséquent, veuillez prendre garde à ne pas endommager le système de refroidissement et les tuyauteries lors de son utilisation ou de son transport. En cas de dommages, éloignez votre produit de toute source potentielle de flammes susceptible de provoquer l'incendie de l'appareil. De même, placez le produit dans une pièce aérée.

### **Ne tenez pas compte de cet avertissement si le système de refroidissement de votre appareil contient R134a.**

Le type de gaz utilisé dans l'appareil est mentionné sur la plaque signalétique située sur la paroi gauche de l'intérieur du réfrigérateur.

Ne jetez jamais l'appareil au feu pour vous en débarrasser.

## **Mesures d'économie d'énergie**

- Ne laissez pas les portes du réfrigérateur ouvertes pendant une durée prolongée.
- N'introduisez pas de aliments ou de boissons chaudes dans le réfrigérateur.
- Ne surchargez pas le réfrigérateur pour ne pas obstruer pas la circulation d'air à l'intérieur.
- N'installez pas le réfrigérateur à la lumière directe du soleil ou près d'appareil émettant de la chaleur tels qu'un four, un lave-vaisselle ou un radiateur. Maintenez une distance d'au moins 30 cm entre votre réfrigérateur et toute source de chaleur, et à une distance de 5 cm d'un four électrique.
- Veillez à conserver vos aliments dans des récipients fermés.
- Pour les produits équipés d'un compartiment congélateur: vous pouvez conserver une quantité maximale d'aliments dans le congélateur quand vous enlevez l'étagère ou le tiroir du congélateur. La consommation d'énergie précisée pour votre réfrigérateur a été déterminée en enlevant l'étagère ou le tiroir du congélateur et avec la charge maximale. Il n'y a aucun risque à utiliser une étagère ou un tiroir en fonction des formes et tailles des aliments à congeler.
- La décongélation des aliments dans le compartiment réfrigérateur permet de faire des économies d'énergie et de préserver la qualité des aliments.



### 3 Installation

⚠ Dans l'hypothèse ou l'information contenue dans ce manuel n'a pas été prise en compte par l'utilisateur, le fabricant ne sera aucunement responsable en cas de problèmes.

#### Éléments à prendre en considération lors du déménagement de votre réfrigérateur

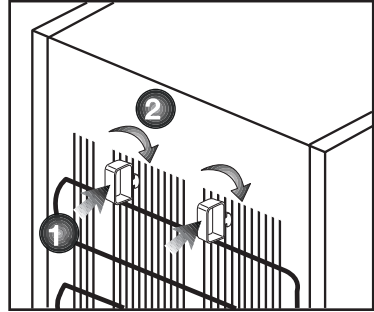
1. Votre réfrigérateur doit être débranché.
2. Avant le transport de votre réfrigérateur, vous devez le vider et le nettoyer. Avant d'emballer votre réfrigérateur, vous devez fixer ses étagères, bac, accessoires, etc., avec du ruban adhésif afin de les protéger contre les chocs.
3. L'emballage doit être solidement attaché avec du ruban adhésif épais ou avec un cordage solide. La réglementation en matière de transport et de marquage de l'emballage doit être strictement respectée.
4. L'emballage et les matériaux de protection d'emballage doivent être conservés pour les éventuels transports ou déplacements à venir.

#### Avant de mettre votre réfrigérateur en marche,

Vérifiez les points suivants avant de commencer à utiliser votre réfrigérateur

1. L'intérieur du réfrigérateur est sec et l'air peut circuler librement à l'arrière?

2. Fixez les câbles en plastique tel qu'indiqué sur le schéma ci-dessous. Les câbles en plastique servent à maintenir une distance permettant la circulation de l'air entre le réfrigérateur et le mur. (Cette image n'est donnée qu'à titre indicatif; elle n'est pas identique à votre produit.)



3. Nettoyez l'intérieur du réfrigérateur tel qu'indiqué dans la section « **Entretien et nettoyage** ».

4. Insérez la prise du réfrigérateur dans la prise murale. Lorsque la porte du réfrigérateur est ouverte, la lampe interne du réfrigérateur s'éclaire.

5. Lorsque le compresseur commence à fonctionner, il émettra un son. Le liquide et les gaz intégrés au système du réfrigérateur peuvent également faire du bruit, que le compresseur soit en marche ou non. Ceci est tout à fait normal.

6. Les parties antérieures du réfrigérateur peuvent chauffer. Ce phénomène est normal. Ces zones doivent en principe être chaudes pour éviter tout risque de condensation.

#### Branchement électrique

Branchez votre réfrigérateur à une prise électrique protégée par un fusible ayant une capacité appropriée.

Important:

- Le branchement doit être conforme aux normes en vigueur sur le territoire national.
- La fiche du câble d'alimentation doit être facilement accessible après installation.
- La sécurité électrique du réfrigérateur n'est assurée que si le système de mise à la terre de votre domicile est conforme aux normes en vigueur.

- La tension indiquée sur l'étiquette située sur la paroi gauche interne de votre produit doit correspondre à celle fournie par votre réseau électrique.

- **Les rallonges et multiprises ne doivent pas être utilisés pour brancher l'appareil.**

⚠ Un câble d'alimentation endommagé doit être remplacé par un électricien qualifié.

⚠ L'appareil ne doit pas être mis en service avant d'être réparé ! Cette précaution permet d'éviter tout risque de choc électrique!

## Mise au rebut de l'emballage

Les matériaux d'emballage peuvent être dangereux pour les enfants. Tenez les matériaux d'emballage hors de portée des enfants ou jetez-les conformément aux consignes établies par les autorités locales en matière de déchets. Ne les jetez pas avec les déchets domestiques, déposez-les dans les centres de collecte désignés par les autorités locales.

L'emballage de votre appareil est produit à partir de matériaux recyclables.

## Mise au rebut de votre ancien réfrigérateur

Débarassez-vous de votre ancien réfrigérateur sans nuire à l'environnement.

- Vous pouvez consulter le service après-vente agréé ou le centre chargé de la mise au rebut dans votre municipalité pour en savoir plus sur la mise au rebut de votre produit.

Avant de procéder à la mise au rebut de votre machine, coupez la prise électrique et, le cas échéant, tout verrouillage susceptible de se trouver sur la porte. Rendez-les inopérants afin de ne pas exposer les enfants à d'éventuels dangers.

## Disposition et Installation

⚠ Si la porte d'entrée de la pièce où sera installé le réfrigérateur n'est pas assez large pour laisser passer le réfrigérateur, appelez le service après-vente qui retirera les portes du réfrigérateur et le fera entrer latéralement dans la pièce.

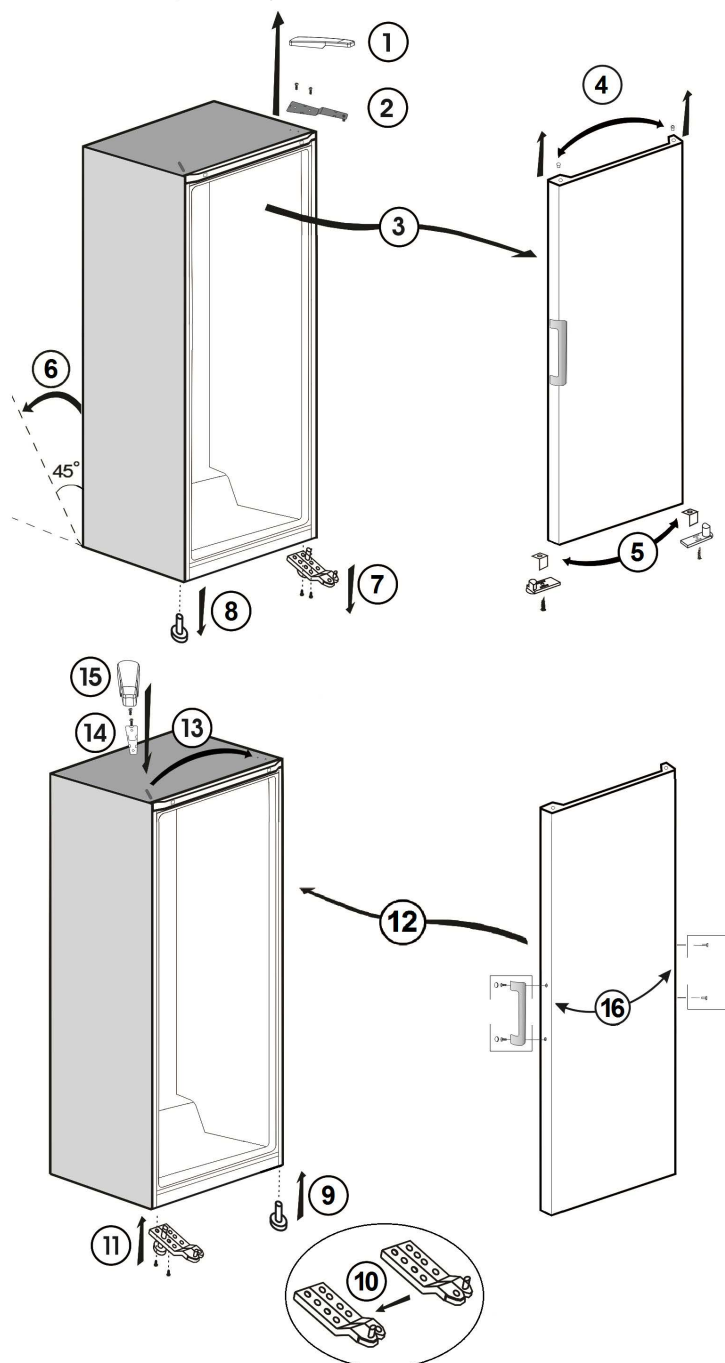
1. Installez le réfrigérateur dans un emplacement qui permette une utilisation pratique.
2. Maintenez le réfrigérateur éloigné de toutes sources de chaleur, des endroits humides et de la lumière directe du soleil.
3. Une ventilation d'air autour du réfrigérateur doit être aménagée pour obtenir un fonctionnement efficace. Si le réfrigérateur est placé dans un enfoncement du mur, il doit y avoir un espace d'au moins 5 cm avec le plafond et d'au moins 5 cm avec le mur. Ne placez pas l'appareil sur des revêtements tels qu'un tapis ou de la moquette.
4. Placez le réfrigérateur sur une surface plane afin qu'il soit stable.
5. N'exposez pas le réfrigérateur à des températures ambiantes inférieures à 10°C.

## Remplacement de l'ampoule intérieure

Pour remplacer l'ampoule LED du réfrigérateur, veuillez contacter le service après-vente agréé. L'ampoule (s) utilisé dans cet appareil ne convient pas pour l'éclairage de la cuisine. Le but visé par cette lampe est d'aider à l'utilisateur de placer les aliments dans le réfrigérateur /congélateur d'une manière sûre et confortable. Les voyants utilisés dans cet appareil doivent résister aux conditions physiques extrêmes telles que des températures inférieures à -20°C.

# Réversibilité des portes

Procédez dans l'ordre numérique.



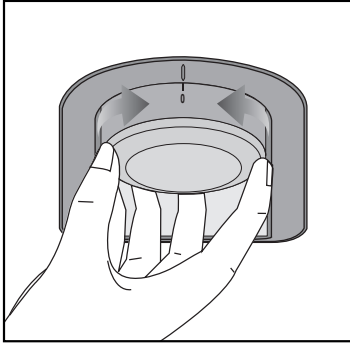
## 4 Préparation

---

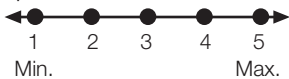
- i** Votre réfrigérateur doit être installé à au moins 30 cm des sources de chaleur telles que les plaques de cuisson, les fours, appareils de chauffage ou cuisinières, et à au moins 5 cm des fours électriques. De même, il ne doit pas être exposé à la lumière directe du soleil.
- i** La température ambiante de la pièce où vous installez le réfrigérateur doit être d'au moins 10°C. Faire fonctionner l'appareil sous des températures inférieures n'est pas recommandé et pourrait nuire à son efficacité.
- i** Veuillez vous assurer que l'intérieur de votre appareil est soigneusement nettoyé.
- i** Si deux réfrigérateurs sont installés côte à côte, ils doivent être séparés par au moins 2 cm.
- i** Lorsque vous faites fonctionner le réfrigérateur pour la première fois, assurez-vous de suivre les instructions suivantes pendant les six premières heures.
  - La porte ne doit pas être ouverte fréquemment.
  - Le réfrigérateur doit être mis en marche à vide, sans aliments à l'intérieur.
  - Ne débranchez pas le réfrigérateur. Si une panne de courant se produit, veuillez vous reporter aux avertissements dans la section « **Solutions recommandées aux problèmes** ».
- i** L'emballage et les matériaux de protection d'emballage doivent être conservés pour les éventuels transports ou déplacements à venir.

## 5 Utilisation du réfrigérateur

### Réglage de la température de fonctionnement



La température de fonctionnement est réglée à l'aide de la commande de température.



**1 = Réglage de réfrigération le plus faible (Réglage le moins froid)**  
**5 = Réglage de réfrigération le plus fort (Réglage le plus froid)**

(Ou)

**Min. = Réglage de réfrigération le plus faible (Réglage le moins froid)**  
**Max. = Réglage de réfrigération le plus fort (Réglage le plus froid)**

La température médiane à l'intérieur du réfrigérateur doit être proche de +5°C. Veuillez choisir le réglage en fonction de la température désirée.

Vous remarquerez qu'il y a plusieurs températures différentes dans la zone de réfrigération.

La zone la plus froide est située directement au-dessous du bac à légumes.

La température intérieure est également fonction de la température ambiante, la fréquence d'ouverture de la porte et la quantité de aliments stockés à l'intérieur.

Si la porte est ouverte fréquemment, la température intérieure monte.

Pour cette raison, il est recommandé de refermer la porte aussitôt que possible après utilisation.

### Utilisation des compartiments intérieurs

Clayettes en verre: L'écart entre les étagères peut être réglé si nécessaire.

Bac à légumes: Les fruits et légumes peuvent être conservés dans ce compartiment pendant de longues périodes sans se détériorer.

Clayette range-bouteilles: Les bouteilles, bocaux et les canettes peuvent être placés dans ces étagères.

### Réfrigération

#### Conservation des aliments

Le compartiment réfrigérateur est destiné à la conservation à court terme d'aliments frais et de boissons.

Conservez les produits laitiers dans le compartiment prévu à cet effet dans le réfrigérateur.

Les bouteilles peuvent être stockées sur la clayette support bouteilles ou dans le balconnet range bouteilles de la porte.

La viande crue sera conservée de manière optimale dans un sac en polyéthylène dans le compartiment situé tout en bas du réfrigérateur.

Laisser refroidir les aliments et boissons à la température ambiante avant de les mettre dans le réfrigérateur.

- Attention

Conservez l'alcool à forte concentration debout et bien fermé uniquement.

- Attention

Ne conservez pas de substances explosives ni de récipients à gaz propulseurs inflammables (crème en bombe, bombes aérosols etc.) Un risque d'explosion existe.

## Décongélation

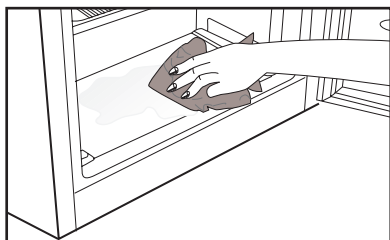
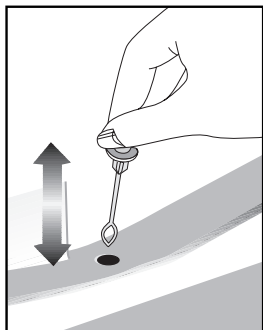
Le compartiment réfrigérateur dégivre automatiquement.

L'eau de dégivrage s'écoule dans la voie d'écoulement et se déverse dans le bac de récupération à l'arrière de l'appareil.

Pendant le dégivrage, des gouttelettes d'eau se forment à l'arrière du réfrigérateur à cause de l'évaporateur.

Si toutes les gouttes ne s'écoulent pas, elles peuvent geler de nouveau après le dégivrage. Enlevez-les à l'aide d'un chiffon mouillé à l'eau tiède, et jamais au moyen d'un objet dur ou tranchant.

Vérifiez l'écoulement de l'eau de dégivrage de temps en temps. L'orifice peut parfois s'obstruer.



## Eteindre le produit

Si la position « 0 » se trouve sur votre thermostat:

- Votre appareil cessera de fonctionner lorsque vous mettrez le bouton du thermostat à la position « 0 » (zéro). Votre appareil ne démarrera pas à moins que vous mettiez le bouton du thermostat sur la position « 1 » ou sur l'une des autres positions.

Si la position « min » se trouve sur votre thermostat:

- Débranchez votre appareil pour l'arrêter.

## 6 Entretien et nettoyage

- ⚠ N'utilisez jamais d'essence, de benzène ou de matériaux similaires pour le nettoyage.
- ⚠ Nous vous recommandons de débrancher l'appareil avant de procéder au nettoyage.
- ℹ N'utilisez jamais d'ustensiles tranchants, savon, produit de nettoyage domestique, détergent et cirage pour le nettoyage.
- ℹ Utilisez de l'eau tiède pour nettoyer la carrosserie du congélateur / réfrigérateur et séchez-la soigneusement à l'aide d'un chiffon.
- ℹ Utilisez un chiffon humide imbibé d'une solution composée d'une cuillère à café de bicarbonate de soude pour un demi litre d'eau pour nettoyer l'intérieur et séchez soigneusement.
- ⚠ Prenez soin de ne pas faire couler d'eau dans le logement de la lampe et dans d'autres éléments électriques.
- ⚠ En cas de non utilisation de votre congélateur / réfrigérateur pendant une période prolongée, débranchez le câble d'alimentation, sortez toutes les aliments, nettoyez-le et laissez la porte entrouverte.
- ℹ Inspectez les joints de porte régulièrement pour vérifier qu'ils sont propres et qu'il n'y a pas de résidus de nourriture.
- ℹ Pour retirer les balconnets de portes, sortez tout son contenu puis poussez simplement le balconnet vers le haut à partir de la base.

- ℹ Ne jamais utiliser des produits nettoyants ou de l'eau contenant du chlore pour le nettoyage des surfaces externes et des pièces chromées du produit. Le chlore entraîne la corrosion de ces surfaces métalliques.

### Protection des surfaces en plastique

- Ne placez pas d'huiles ou de plats huileux dans le congélateur / réfrigérateur dans des récipients non fermés, car les graisses peuvent endommager les surfaces en plastique du congélateur / réfrigérateur. Si vous versez ou éclaboussez de l'huile sur les surfaces en plastique, nettoyez et lavez les parties souillées avec de l'eau chaude immédiatement.

## 7 Solutions recommandées aux problèmes

Veillez vérifier la liste suivante avant d'appeler le service après-vente. Cela peut vous faire économiser du temps et de l'argent. Cette liste regroupe les problèmes les plus fréquents ne provenant pas d'un défaut de fabrication ou d'utilisation du matériel. Il se peut que certaines des fonctions décrites ne soient pas présentes sur votre produit.

### Le réfrigérateur ne fonctionne pas.

- Le réfrigérateur est-il correctement branché ? Insérez la prise dans la prise murale.
- Est-ce que le fusible ou la douille de raccord du réfrigérateur sont connectés ou est-ce que le fusible principal a sauté ? Vérifiez le fusible.

### Condensation sur la paroi intérieure du compartiment réfrigérateur. (MULTIZONE, COOL CONTROL et FLEXI ZONE).

- Température ambiante très basse. Ouvertures et fermetures fréquentes de la porte. Humidité ambiante très élevée. Conservation de aliments liquides dans des récipients ouverts. Porte laissée entrouverte. Réglez le thermostat à un niveau de froid supérieur.
- Réduisez les temps d'ouverture de la porte ou utilisez-la moins fréquemment.
- Couvrez les aliments dans des récipients ouverts à l'aide d'un matériau adapté.
- Essayez la condensation à l'aide d'un tissu sec et vérifiez si elle persiste.

### Le compresseur ne fonctionne pas.

- Le dispositif de protection thermique du compresseur sautera en cas de coupures soudaines du courant ou de débranchement intempestif, en effet la pression du liquide réfrigérant du système de refroidissement ne sera pas équilibrée. Le réfrigérateur recommencera à fonctionner normalement après 6 minutes environ. Veuillez contacter le service après-vente si le réfrigérateur ne redémarre pas après cette période.
- Le réfrigérateur est en mode de dégivrage. Cela est normal pour un réfrigérateur à dégivrage semi-automatique. Le cycle de dégivrage se déclenche régulièrement.
- Le réfrigérateur n'est pas branché à la prise. Assurez-vous que la prise est branchée à la prise murale.
- Les réglages de température sont-ils corrects ?
- Il se peut qu'il y ait une panne d'électricité.



Le réfrigérateur fonctionne fréquemment ou pendant de longues périodes.

- Votre nouveau réfrigérateur est peut être plus large que l'ancien. Ceci est tout à fait normal. Les grands réfrigérateurs fonctionnent pendant une période de temps plus longue.
- La température ambiante de la salle peut être élevée. Ceci est tout à fait normal.
- Le réfrigérateur pourrait y avoir été branché tout récemment ou pourrait avoir été chargé de aliments alimentaires. Le refroidissement complet du réfrigérateur peut durer quelques heures de plus.
- D'importantes quantités de aliments chaudes ont peut être été introduites dans le réfrigérateur récemment. Les aliments chauds provoquent un fonctionnement prolongé du réfrigérateur avant d'atteindre le niveau de température de conservation raisonnable.
- Les portes ont peut être été ouvertes fréquemment ou laissées entrouvertes pendant une durée prolongée. L'air chaud qui entre dans le réfrigérateur le fait fonctionner pendant de plus longues périodes. Ouvrez les portes moins souvent.
- La porte du réfrigérateur ou du congélateur ont peut être été laissées entrouvertes. Vérifiez que les portes sont bien fermées.
- Le réfrigérateur est réglé à une température très basse. Réglez la température du réfrigérateur à un degré supérieur et attendez jusqu'à ce que la température soit bonne.
- Le joint de la porte du réfrigérateur ou du congélateur peut être sale, déchiré, rompu ou mal en place. Nettoyez ou remplacez le joint. Tout joint endommagé/déchiré fait fonctionner le réfrigérateur pendant une période de temps plus longue afin de conserver la température actuelle.

La température du congélateur est très basse alors que celle du réfrigérateur est correcte.

- La température du congélateur est réglée à une température très basse. Réglez la température du congélateur à un degré supérieur et vérifiez.

La température du réfrigérateur est très basse alors que celle du congélateur est correcte.

- Il se peut que la température du réfrigérateur a réglée à une température très basse. Réglez la température du réfrigérateur à un degré supérieur et vérifiez.

Les aliments conservés dans les tiroirs du compartiment de réfrigération congelent.

- Il se peut que la température du réfrigérateur a réglée à une température très basse. Réglez la température du réfrigérateur à un degré supérieur et vérifiez.

<b>La température dans le réfrigérateur ou le congélateur est très élevée.</b>
<ul style="list-style-type: none"> <li>• La température du réfrigérateur a peut être été réglée à un degré très élevé. Le réglage du réfrigérateur a un effet sur la température du congélateur. Modifiez la température du réfrigérateur ou du congélateur jusqu'à ce qu'elles atteignent un niveau correct.</li> <li>• Les portes ont peut être été ouvertes fréquemment ou laissées entrouvertes pendant une durée prolongée; ouvrez-les moins fréquemment.</li> <li>• La porte est peut être restée ouverte; refermez complètement la porte.</li> <li>• D'importantes quantités de aliments chaudes ont peut être été introduites dans le réfrigérateur récemment. Attendez que le réfrigérateur ou le congélateur atteigne la bonne température.</li> <li>• Le réfrigérateur y a peut être été branché récemment. Le refroidissement complet du réfrigérateur nécessite du temps.</li> </ul>
<b>Le niveau sonore augmente lorsque le réfrigérateur est en marche.</b>
<ul style="list-style-type: none"> <li>• Les caractéristiques de performance du réfrigérateur peuvent changer en raison des variations de la température ambiante. Cela est normal et n'est pas un défaut.</li> </ul>
<b>Vibrations ou bruits.</b>
<ul style="list-style-type: none"> <li>• Le sol n'est pas plat ou n'est pas solide. Le réfrigérateur oscille lorsqu'on le bouge lentement. Assurez-vous que le sol est plat et suffisamment solide pour supporter le réfrigérateur.</li> <li>• Les bruits peuvent être produits par les objets placés sur le réfrigérateur. Enlevez tout ce qu'il y a au-dessus du réfrigérateur.</li> </ul>
<b>Le réfrigérateur produit des bruits semblables à de l'eau qui coule ou à la pulvérisation d'un liquide.</b>
<ul style="list-style-type: none"> <li>• Des écoulements de gaz et de liquides se produisent dans le réfrigérateur, de par ses principes de fonctionnement. Cela est normal et n'est pas un défaut.</li> </ul>
<b>Le réfrigérateur produit des bruits semblables à du vent.</b>
<ul style="list-style-type: none"> <li>• Les ventilateurs sont utilisés pour refroidir le réfrigérateur. Cela est normal et n'est pas un défaut.</li> </ul>
<b>Condensation sur les parois intérieures du réfrigérateur.</b>
<ul style="list-style-type: none"> <li>• Un temps chaud et humide augmente la formation de givre et de condensation. Cela est normal et n'est pas un défaut.</li> <li>• La porte est peut être restée ouverte; assurez-vous que les portes sont complètement fermées.</li> <li>• Les portes ont peut être été ouvertes fréquemment ou laissées entrouvertes pendant une durée prolongée; ouvrez-les moins fréquemment.</li> </ul>
<b>De l'humidité est présente à l'extérieur ou entre les portes du réfrigérateur.</b>
<ul style="list-style-type: none"> <li>• Il y a peut être de l'humidité dans l'air; ceci est tout à fait normal par un temps humide. Lorsque l'humidité est faible, la condensation disparaîtra.</li> </ul>
<b>Présence d'une mauvaise odeur dans le réfrigérateur.</b>
<ul style="list-style-type: none"> <li>• L'intérieur du réfrigérateur doit être nettoyé. Nettoyez l'intérieur du réfrigérateur avec une éponge, de l'eau tiède ou de l'eau gazeuse.</li> <li>• Certains récipients ou matériaux d'emballage peuvent provoquer ces odeurs. Utilisez un autre récipient ou changez de marque de matériau d'emballage.</li> </ul>
<b>La porte ne se ferme pas.</b>
<ul style="list-style-type: none"> <li>• Des récipients peuvent empêcher la fermeture de la porte. Remplacez les emballages qui obstruent la porte.</li> <li>• Le réfrigérateur n'est pas complètement vertical et peut balancer lorsqu'on le bouge légèrement. Réglez les vis de levage.</li> <li>• Le sol n'est pas plat ou solide. Assurez-vous que le sol est plat et qu'il peut supporter le réfrigérateur.</li> </ul>
<b>Les bacs à légumes sont coincés.</b>
<ul style="list-style-type: none"> <li>• Il se peut que les aliments touchent le plafond du tiroir. Disposez à nouveau les aliments dans le tiroir.</li> </ul>

## Læs venligst denne vejledning inden du tager køleskabet i brug.

Kære kunde,

Vi håber, at dit produkt, der er produceret i moderne produktionsanlæg og kontrolleret under de grundigste kvalitetskontrolprocedurer, vil give dig en effektiv service.




Vi anbefaler, at denne brugsvejledning læses grundigt inden køleskabet tages i brug og opbevares til fremtidig reference.

### Denne brugsvejledning

- Hjælper dig til at bruge dit apparat på en hurtig og sikker måde.
  - Læs venligst vejledningen, før du installerer og bruger produktet.
  - Følg venligst instruktionerne, særligt dem, der omhandler sikkerhed.
  - Opbevar vejledningen et sted, hvor du nemt kan komme til den, da du kan få brug for den senere.
  - Læs venligst også de andre dokumenter, der følger med produktet.
- Bemærk, at denne brugsvejledning også kan være gyldig for andre modeller.

### Symboler og deres beskrivelse

Denne brugsvejledning indeholder følgende symboler:

-  Vigtige informationer eller brugbare tips.
-  Advarsel mod farlige forhold for liv og ejendom.
-  Advarsel mod strømspænding.



### **ADVARSEL!**

For at sikre køleapparatets normale funktion, som i øvrigt bruger den miljøvenlige kølevæske R600a (kun brandbar under visse omstændigheder), skal følgende forholdsregler følges:

- Bloker ikke den fri luftcirkulation omkring apparatet.
- Brug ikke andet mekanisk udstyr, end det der er anbefalet af fabrikanten for at accelerere afisningsprocessen.
- Ødelæg ikke kølekredsløbet.
- Brug ikke elektriske apparater inde i skabets opbevaringsafsnit, med mindre de er af en type, der er anbefalet af fabrikanten.

### Genvinding



Dette produkt er udstyret med symbolet for selektiv sortering af affald fra elektrisk og elektronisk udstyr (WEEE).

Det betyder, at dette produkt skal håndteres i henhold til det Europæiske Direktiv 2002/96/EC for at blive genanvendt eller afmonteret for at minimere påvirkningen af miljøet. For yderligere information bedes du kontakte de lokale myndigheder.

Elektroniske produkter, der ikke er omfattet af den selektive sorteringsproces, er potentielt farlige for miljøet og menneskets sundhed pga. af tilstedeværelsen af farlige substanser.

## INDHOLD

---

### **1 Køleskabet** **3**      **4 Forberedelse** **10**

---

### **2 Vigtige sikkerhedsadvarsler** **4**      **5 Anvendelse af køleskabet** **11**

---

Tilsigtet brug.....	4
Generelle sikkerhedsregler.....	4
For produkter med en vanddispenser....	6
Børnesikkerhed .....	6
HCA Advarsel.....	6
Energibesparende foranstaltninger.....	6

### **3 Installation** **7**

---

Punkter, der skal tages hensyn til, hvis køleskabet skal transporteres igen.....	7
Inden køleskabet betjenes .....	7
Elektrisk tilslutning .....	7
Bortskaffelse af emballagen .....	8
Bortskaffelse af det gamle køleskab...	8
Placering og installation .....	8
Udskiftning af den indvendige lyspære .....	8
Vende dørene .....	9

Indstilling af driftstemperaturen .....	11
Anvendelse af de indvendige rum ....	11
Køling .....	11
Afrimning .....	12
Slukning af køleskabet.....	12

### **6 Vedligeholdelse og rengøring** **13**

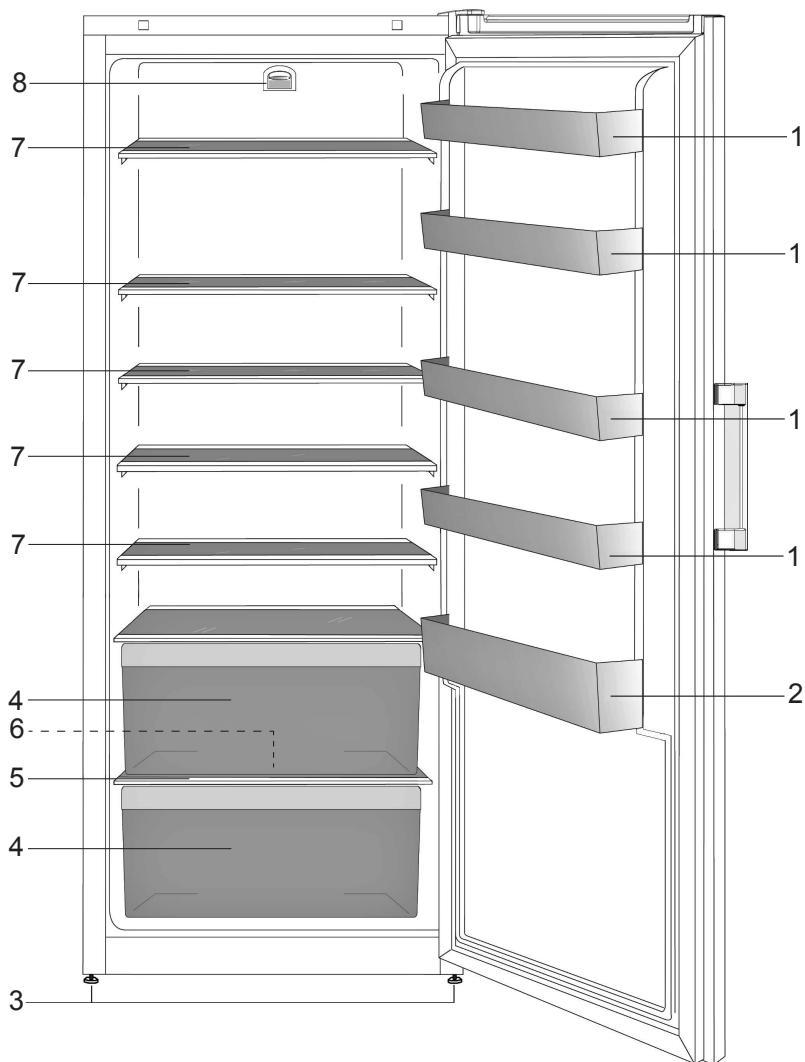
---

Beskyttelse af plastikoverflader .....	13
--	----

### **7 Anbefalede løsninger på problemerne** **14**

---

# 1 Køleskabet



1. Justerbare hylder i lågen
2. Flaskehylde
3. Justerbare forreste fødder
4. Grøntsagsskuffe
5. Låg til grøntsager

6. Vandopsamler
7. Flytbare hylder
8. Pære og termostatboks

**!** Tallene i denne manual er skematiske og svarer måske ikke helt til dit produkt. Hvis delene ikke er indeholdt i det produkt, du har købt, findes de i andre modeller.

## 2 Vigtige sikkerhedsadvarsler

Gennemgå følgende informationer. Hvis ovenstående informationer ikke læses, kan det medføre beskadigelse eller materiel skade. Ellers vil alle garantier og løfter om driftssikkerhed blive ugyldige.

### Tilsigtet brug

Dette produkt er beregnet til brug:

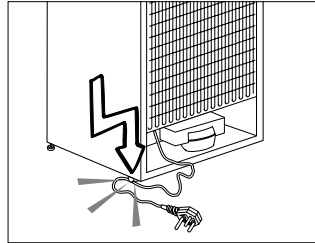
- indendørs og i lukkede områder, såsom huse og lejligheder;
- i lukkede arbejdsmiljøer, såsom butikker og kontorer;
- i lukkede overnatningsområder, såsom gårde, hoteller, pensioner.
  - Dette produkt er ikke beregnet til udendørs brug.

### Generelle sikkerhedsregler

- Når du vil bortkaste/skrotte produktet, anbefaler vi, at du rådfører dig med den autoriserede service for at tilegne dig de krævede informationer samt med de autoriserede myndigheder.
- Kontakt den autoriserede forhandler for at få svar på spørgsmål og problemer omkring køleskabet. Undlad at foretage indgreb eller lade andre foretage indgreb på køleskabet uden at informere den autoriserede forhandler.
- For produkter med en fryseafdeling; Undlad at spise vaffelis eller isterninger lige efter, du har taget dem ud af fryseren! (Det kan forårsage forfrysninger i munden.)
- For produkter med fryseafdeling; Læg ikke drikkevarer i flaske eller på dåse i fryseren. De kan eksplodere.
- Rør ikke frosne madvarer med hænderne, da de kan hænge fast i din hånd.
- Tag stikket ud af kontakten inden rengøring eller afrimning.
- Damp og fordampede rengøringsmaterialer skal aldrig bruges ved rengøring og afrimning af køleskabet. Hvis det sker, kan dampen komme i kontakt med de elektriske dele og forårsage kortslutning eller elektrisk stød.
- Brug aldrig delene på køleskabet, som f.eks. lågen til at støtte dig på eller stå på.
- Brug ikke elektriske apparater inde i køleskabet.
- Undlad at beskadige de dele, som kølemidlet cirkulerer omkring, med bore- eller skæreværktøjer. Kølemidlet, som kan blæse ud, når fordamperens gaskanaler, forlængerrørene eller overfladebelæggningerne punkteres, kan forårsage hudirritationer og øjenskader.
- Undlad med nogen form for materiale at tildække eller blokere ventilationshullerne på køleskabet.
- Elektriske apparater må kun repareres af autoriserede personer. Reparationer, der er udført af inkompetente personer, kan skabe en risiko for brugeren.
- I tilfælde af fejlfunktion under vedligeholdelses- eller reparationsarbejde skal køleskabets forsyningsnet afbrydes ved enten at slukke for den relevante sikring eller ved at tage apparatets stik ud af kontakten.
- Træk ikke i ledningen, når stikket skal tages ud.
- Placer de drikkevarer, der indeholder højere alkoholprocent, stramt lukket og lodret.

- Opbevar aldrig produkter, der indeholder en brandfarlig drivgas og eksplosive stoffer i køleskabet.
- Der må ikke anvendes mekanisk udstyr eller andre midler, ud over de af producenten anbefalede, for at fremskynde afrimningsprocessen.
- Dette produkt er ikke beregnet til brug af personer med fysiske handicap, føleforstyrrelser og psykiske lidelser eller personer, som ikke har modtaget instruktion (herunder børn), medmindre de er ledsaget af en person, der er ansvarlig for deres sikkerhed eller som instruerer dem i brug af produktet.
- Lad ikke et beskadiget køleskab køre. Rådfør dig med serviceagenten, hvis du har nogen bekymringer.
- Der kan kun garanteres for køleskabets strømsikkerhed, hvis jordingsystemet i dit hjem opfylder standarderne.
- At udsætte produkterne for regn, sne, sol og vind er farligt hvad angår el-sikkerheden.
- Kontakt autoriseret service, hvis der er beskadiget en strømledning for at undgå fare.
- Sæt aldrig køleskabet ind i stikkontakten under installationen. Hvis det sker, kan der opstå risiko for dødsfald eller alvorlig skade.
- Dette køleskab er kun beregnet til opbevaring af madvarer. Det bør ikke bruges til andre formål.
- Mærkat med tekniske specifikationer findes på indersiden af køleskabets venstre side.
- Køleskabet må aldrig sluttes til strømbesparende systemer; de kan ødelægge køleskabet.
- Hvis der er et blåt lys i køleskabet, må du ikke kigge på det med optiske værktøjer.
- For manuelt kontrollerede køleskabe, vent mindst 5 minutter før du starter køleskabet efter strømsvigt.

- Denne brugermanual skal afleveres til den nye ejer når det skifter ejermand.
- Undgå at forårsage skade på ledningen under transport af køleskabet. Bøjlet ledning kan forårsage brand. Placér aldrig tunge genstande på strømledningen. Rør ikke ved stikket med våde hænder, når du tager stikket ud.



- Tilslut ikke køleskabet, hvis vægstikket er løst.
- Vand bør ikke blive sprøjet direkte på indre og ydre dele af produktet af sikkerhedsmæssige årsager.
- Sprøjt ikke stoffer, der indeholder brændbare drivgasser, såsom propan, i nærheden af køleskabet for at undgå brand og eksplosionsfare.
- Anbring aldrig objekter fyldt med vand oven på køleskabet, da de kan forårsage elektrisk stød eller brand.
- Overfyld ikke køleskabet med for meget mad. Hvis køleskabet er overfyldt, kan madvarer falde ned når døren åbnes og skade dig og køleskabet. Anbring ikke objekter oven på køleskabsdøren åbnes eller lukkes.
- Produkter, der har brug for præcis temperaturkontrol, såsom vacciner, varmefølsomme medikamenter, videnskabelige materialer osv., bør ikke opbevares i køleskabet.
- Hvis køleskabet ikke bruges i længere periode, skal stikket tages ud af stikkontakten. Et muligt problem med strømledning kan forårsage brand.

- Spidsen af stikket bør rengøres jævnligt da det ellers kan forårsage brand.
- Stikkets ende bør jævnligt rengøres med en tør klud, da den ellers kan starte en brand.
- Køleskabet kan flytte sig, hvis de justerbare fødder ikke er justeret til gulvet. Korrekt sikring af justerbare fødder på gulvet kan forhindre køleskabet i at flytte.
- Du skal ikke trække i dørhåndtag for at flytte køleskabet. Hvis det sker, vil den brække.
- Når du skal placere køleskabet ved siden af et andet køleskab eller fryser, skal afstanden mellem apparaterne være på mindst 8 cm. Ellers kan der opstå kondens på sidevægge.

## For produkter med en vanddispenser;

Vandledningstrykket skal være minimum 1 bar. Vandledningstrykket skal være maksimum 8 bar.

- Brug kun rent vand.

## Børnesikkerhed

- Hvis døren har en lås, bør nøglen opbevares uden for børns rækkevidde.
- Børn skal være under opsyn for at hindre dem fra at pille ved produktet.

## HCA Advarsel

### Hvis dit produkts kølesystem indeholder R600a:

Denne gas er brændbar. Du skal derfor være opmærksom på at ødelægge kølesystemet under brug og transport. I tilfælde af beskadigelse, skal produktet holdes væk fra mulige brandkilder, der kan forårsage, at produktet går i brand og du skal sørge for at lufte ud i rummet, hvor produktet er placeret.

## Se bort fra advarslen hvis dit produkts kølesystem indeholder R134a.

Gastypen anvendt i produktet er beskrevet på typepladen, der findes på indersiden af køleskabets venstre væg. Anbring aldrig produktet i ild for bortskaffelse.

## Energibesparende foranstaltninger

- Undlad at lade lågerne i køleskabet stå åbne i lang tid.
- Put ikke varm mad eller drikke i køleskabet.
- Overfyld ikke køleskabet, så luftcirkulationen bliver forhindret.
- Placer ikke dit køleskab under direkte sollys eller tæt på varmeudstrålende apparater, som f.eks. ovne, opvaskemaskiner eller radiatorer.
- Vær omhyggelig med at opbevare maden i lukkede beholdere.
- For produkter med et fryserum; Du kan opbevare den maksimale mængde af madvarer i fryseren, hvis du fjerner hylden eller skuffen fra den. Det anførte energiforbrug for dit køleskab blev fastsat når fryserummets hylde eller skuffe var fjernet og med den maksimale mængde madvarer. Der er ingen risiko ved at bruge en hylde eller skuffe, der passer i form og størrelse til de madvarer der skal fryses.
- Optøning af frosne fødevarer i køleafsnit vil både give energibesparelser og bevare fødevarerens kvalitet.



### 3 Installation

⚠ Husk, at producenten ikke holdes ansvarlig, hvis oplysningerne givet i brugsanvisningen ikke er overholdt.

#### Punkter, der skal tages hensyn til, hvis køleskabet skal transporteres igen

1. Køleskabet skal tømmes og rengøres inden transport.
2. Hylde, tilbehør, grøntsagsskuffer osv. i køleskabet skal fastgøres sikkert for at modvirke stød, inden produktets pakkes igen.
3. Emballagen skal fastgøres med tykt tape og stærke reb, og reglerne for transport, der er trykt på pakken, skal følges.

#### Glem ikke, at...

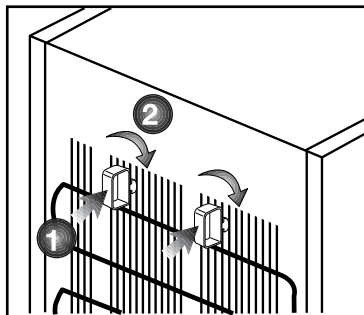
Alt genbrugsmateriale er en uundværlig kilde for naturen og for vore nationale ressourcer.

Hvis du ønsker at medvirke til at genbruge emballagen, kan du få yderligere informationer hos miljøorganisationerne eller de lokale myndigheder.

#### Inden køleskabet betjenes

Inden du begynder at bruge køleskabet, skal du kontrollere følgende:

1. Er køleskabet tørt indvendigt og kan luften cirkulere frit bagved det?
2. Du kan installere de 2 plastikkiler som vist på figuren. Plastickilerne vil give den krævede afstand mellem dit køleskab og væggen, så der bliver plads til luftcirkulation. (Den illustrerede tegning er kun et eksempel og passer ikke præcist med dit produkt.)



3. Rengør køleskabet indvendigt som anbefalet i afsnittet “Vedligeholdelse og rengøring”.
4. Sæt køleskabets stik i kontakten. Når køleskabsdøren åbnes, vil køleskabets indvendige lys tændes.
5. Der vil kunne høres en lyd, når kompressoren starter. Kølevæsken og luftarterne, der findes i kølesystemet, kan også støje lidt, selv om kompressoren ikke kører, hvilket er helt normalt.
6. Køleskabets forreste kanter kan føles varme. Dette er helt normalt. Disse områder er beregnet til at være varme for at undgå kondensering.

#### Elektrisk tilslutning

Tilslut produktet til en jordet kontakt, der er beskyttet af en sikring med passende kapacitet.

Vigtigt:

- Tilslutningen skal være i overensstemmelse med de nationale regulativer.
- Strømskiftet skal være nemt tilgængeligt efter installationen.
- Den angivne spænding skal være lig med spændingen på dit el-net.

- Mellemkabler og stikdåser med flere stik skal ikke bruges til tilslutningen.
- ⚠ Et ødelagt strømkabel skal udskiftes af en autoriseret elektriker.
- ⚠ Produktet må ikke betjenes, før det er repareret! Der er fare for elektrisk stød!

## Bortskaffelse af emballagen

Emballagen kan være farlig for børn. Hold emballagen væk fra børns rækkevidde eller bortskaf den, idet du skal klassificere den i henhold til affaldsinstruktionerne. Smid dem ikke væk sammen med det øvrige husholdningsaffald.

Køleskabets emballage er produceret af genanvendelige materialer.

## Bortskaffelse af det gamle køleskab

Bortskaf det gamle køleskab uden at skade miljøet.

- Du kan spørge din forhandler eller genbrugsstationen i din kommune angående bortskaffelse af køleskabet.
- Inden køleskabet bortskaffes, skal du skære elstikket af, og hvis der er låse i lågen, skal du gøre dem ubrugelige for at beskytte børn mod fare.

## Placering og installation

⚠ Hvis indgangsdøren til rummet, hvor køleskabet skal installeres, ikke er bred nok til køleskabet at komme igennem, skal du kontakte autoriseret serviceagent for at fjerne køleskabsdøre og så bære køleskabet sidelæns igennem døren.

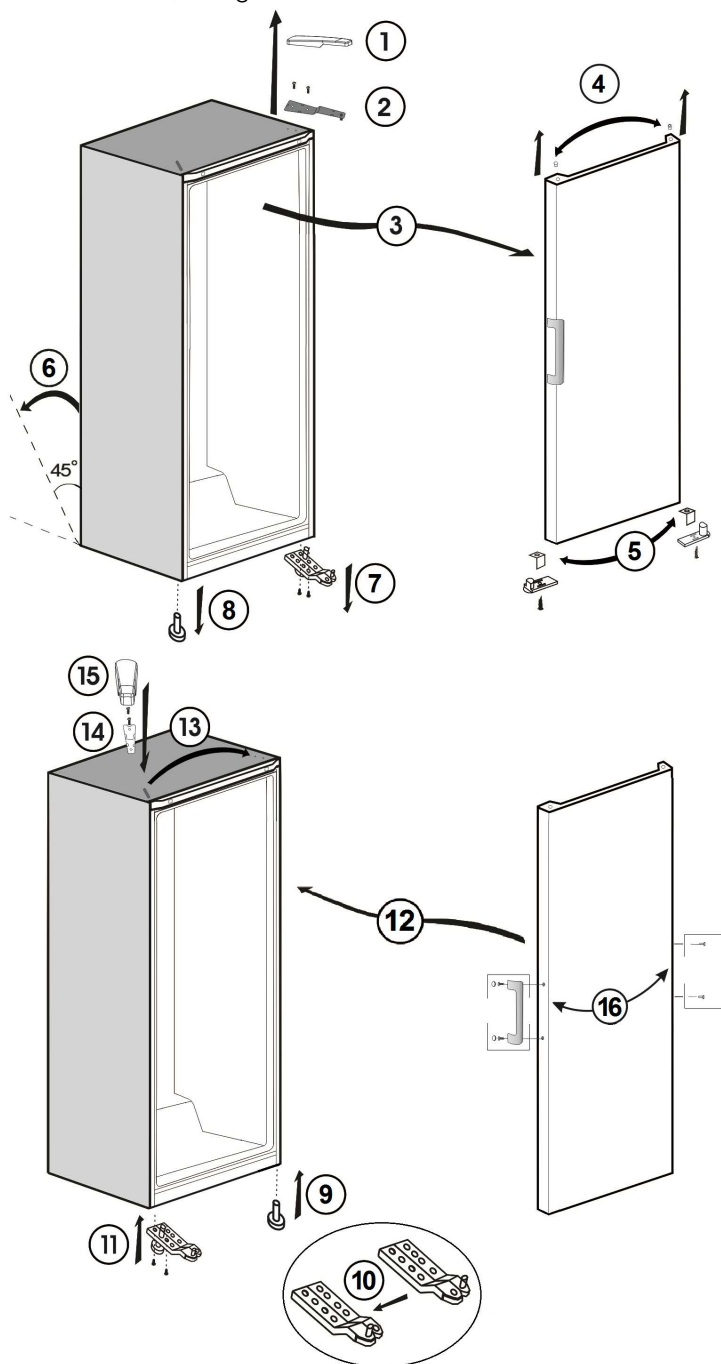
1. Installér køleskabet på et sted, hvor det er nemt at bruge.
2. Hold køleskabet væk fra varmekilder, fugtige steder og direkte sollys.
3. Der skal være tilstrækkelig ventilation rundt om køleskabet for at opnå en effektiv funktion. Hvis køleskabet skal placeres i en fordybning i væggen, skal der være mindst 5 cm afstand fra loft og væg. Hvis gulvet er belagt med tæppe, skal produktet hæves 2,5 cm fra gulvet.
4. Placer køleskabet på en jævn gulvoverflade for at undgå rystebevægelser.
5. Stil ikke køleskabet på et sted, hvor de omgivende temperaturer er under 10°C.

## Udskiftning af den indvendige lyspære

For at skifte lampen, der belyser køleskabet, bedes du ringe til den autoriserede service. Pærene for dette husholdningsapparat er ikke egnet til belysningsformål. Det tiltænkte formål med denne pære er at gøre det muligt for brugeren at placere levnedsmidler i køleskabet/fryseren på en sikker og bekvem måde. De pærer der anvendes i enheden, skal kunne modstå ekstreme fysiske forhold som eksempelvis temperaturer under -20°C.

# Vende dørene

Fortsæt i numerisk rækkefølge.



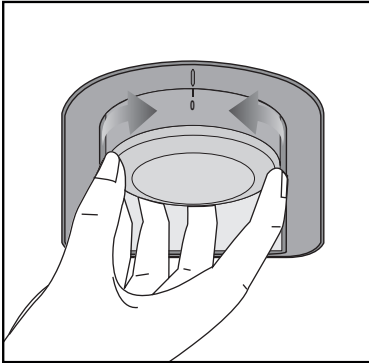
## 4 Forberedelse

---

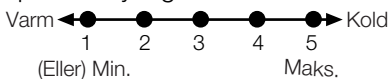
- i** Køleskabet skal installeres mindst 30 cm væk fra varmekilder, som f.eks. kogeplader, ovne, radiatorer og brændeovne, og mindst 5 cm væk fra elektriske ovne, og det bør ikke placeres i direkte sollys.
- i** Den omgivende rumtemperatur bør være mindst 10°C. Betjening af køleskabet under køligere forhold end dette anbefales ikke med hensyn til apparatets ydeevne.
- i** Sørg for at rengøre køleskabet indvendigt meget grundigt.
- i** Hvis der skal installeres to køleskabe ved siden af hinanden, bør afstanden mellem dem være mindst 2 cm.
- i** Når du betjener køleskabet første gang, skal du være opmærksom på følgende i de første seks timer.
  - Lågen bør ikke åbnes ofte.
  - Det skal køre tomt uden nogen form for mad i det.
  - Tag ikke køleskabet ud af stikkontakten. Hvis der forekommer strømudfald uden for din kontrol, så læs advarslerne under afsnittet "**Anbefalede løsninger på problemerne**".
- i** Original indpakningsmateriale bør opbevares for fremtidig brug under transport eller flytning.

## 5 Anvendelse af køleskabet

### Indstilling af driftstemperaturen



Driftstemperaturen reguleres ved temperaturstyringen.



**1 = Laveste indstilling til køl (varmeste indstilling)**

**5 = Højeste indstilling til køl (koldeste indstilling)**

(Eller)

**Min. = Laveste indstilling til køl (Varmeste indstilling)**

**Maks. = Højeste indstilling til køl (Koldeste indstilling)**

Gennemsnitstemperaturen inde i køleskabet bør være omkring  $+5^{\circ}\text{C}$

Vælg indstilling efter ønsket temperatur.

Bemærk venligst, at der er forskellige temperaturer i køleområdet.

Det koldeste område er umiddelbart over grøntsagsrummet.

Den indvendige temperatur afhænger også af rumtemperaturen, hvor ofte lågen åbnes, og mængden af madvarer, der opbevares i køleskabet.

Hvis lågen åbnes ofte, får det den indvendige temperatur til at stige.

Det anbefales derfor at lukke lågen så hurtigt som muligt efter brug.

### Anvendelse af de indvendige rum

Flytbare hylder: Afstanden mellem hylderne kan justeres efter behov.

Grøntsagsskuffe: Grøntsager og frugt kan opbevares i denne afdeling i lange perioder uden at forrådnede.

Flaskehylde: Flasker, krukker og dåser kan placeres på disse hylder.

### Køling

#### Opbevaring af mad

Køleskabssektionen er beregnet til kortvarig opbevaring af friske mad- og drikkevarer.

Opbevar mælkeprodukter i den tilsigtede sektion i køleskabet.

Flasker kan opbevares i flaskeholderen eller i lågens flaskehylde.

Råt kød opbevares bedst i en plasticpose allernederst i køleskabet.

Lad varme mad- og drikkevarer afkøle i rumtemperatur, inden de sættes ind i køleskabet.

- Bemærk

Opbevar kun koncentreret alkohol opretstående og stramt lukket.

- Bemærk

Opbevar ikke ekspositive stoffer eller beholdere med brændbare drivgasser (flødeskum på dåse, spraydåser osv.) i køleskabet. Der er fare for eksplosion.

## Afrimning

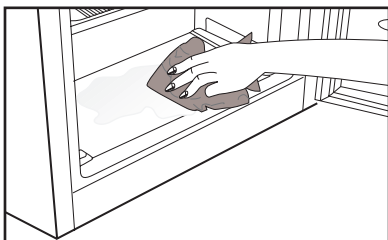
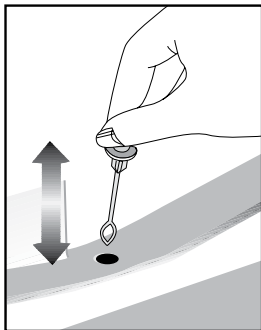
Køleskabsafdelingen afrimer automatisk.

Det optøede vand flyder gennem afløbskanalen ned i en opsamlingsbakke på apparatets bagside.

Under afrimningen dannes der mikroskopiske vanddråber bag på køleskabet som følge af fordampningen.

Hvis alle dråberne ikke løber ned, kan de fryse igen efter optøning. Fjern dem med en klud vredet op i varmt vand, men brug aldrig en hård eller skarp genstand.

Kontrollér fra tid til anden strømmen af optøet vand. Det kan blive tilstoppet en gang imellem.



## Slukning af køleskabet

Hvis termostaten er udstyret med "0" -position:

- Køleskabet vil stoppe driften, når du drejer termostatknappen til "0" (nul) -position. Køleskabet starter først, når du drejer termostatknappen til position "1" eller til en af andre positioner.

Hvis termostaten er udstyret med "min" -position:

- Tag stikket ud af stikkontakten for at stoppe køleskabets drift.

## 6 Vedligeholdelse og rengøring

---

- ⚠ Brug aldrig benzin, benzen eller lignende stoffer til rengøring.
- ⚠ Vi anbefaler, at apparatet tages ud af stikkontakten inden rengøring.
- ⚠ Anvend aldrig skarpe, slibende redskaber, sæbe, rengøringsmidler, detergenter og pudsemidler med voks til rengøring.
- 📌 Vask køleskabskabinettet i lunkent vand og tør det med en klud.
- 📌 Anvend en fugtig klud vredet op i en opløsning af én teskefuld natriumbikarbonat (tvekulsurt natron) til 1/2 liter vand til rengøring af indersiderne, og tør efter med en klud.
- ⚠ Sørg for, at ingen vand kommer i kontakt med lampen og andre elektriske dele.
- ⚠ Hvis køleskabet ikke skal benyttes i længere tid: Tag stikket ud, fjern alle madvarer, rengør det, og lad døren stå på klem.
- 📌 Kontroller gummilisterne jævnligt for sikre, at de er rene og fri for madpartikler.
- 📌 For at fjerne dørhylder tømmes indholdet ud, hvorefter dørhylden ganske enkelt løftes op fra sin plads.

### Beskyttelse af plastikoverflader

- 📌 Put ikke flydende olier eller olie-tilberedte måltider i køleskabet i åbne beholdere, da de ødelægger køleskabets plastikoverflader. Hvis der spildes eller smøres olie på plasticoverfladerne, skal den relevante del af overfladen renses og skylles med det samme med varmt vand.

## 7 Anbefalede løsninger på problemerne

Læs denne liste igennem, inden du ringer efter service. Det kan spare dig for tid og penge. Denne liste indeholder ofte forekommende reklamationer, der ikke opstår af defekt udførelse eller materialebrug. Det er muligt, at nogle af de her beskrevne funktioner ikke findes i dit produkt.

### Køleskabet virker ikke

- Er køleskabet sat rigtigt i stikkontakten? Sæt stikket i kontakten i væggen.
- Er sikringen, som køleskabet er tilsluttet, eller hovedsikringen sprunget? Kontrollér sikringen.

### Kondens på siden af køleskabet (MULTIZONE, KØLEKONTROL og FLEXIZONE).

- Meget kolde omgivelser. Hyppig åbning og lukning af lågen. Højt fugtindhold i omgivelserne. Opbevaring af mad, der indeholder væske, i åbne beholdere. Lågen står på klem. Sæt termostaten på koldere grader.
- Reducér tiden, hvor lågen står åben, eller brug den mindre ofte.
- Dæk maden, der opbevares i åbne beholdere, til med passende materiale.
- Tør kondensvandet af vha. en tør klud og kontroller, om det vedvarer.

### Kompressoren kører ikke.

- Beskyttelsestermo fra kompressoren vil blæse ud under pludselig strømudfald eller tilkoblinger frakoblinger, da kølemiddeltrykket i køleskabets kølesystem ikke er bragt i balance endnu. Køleskabet vil starte med at køre efter ca. 6 minutter. Ring efter service, hvis køleskabet ikke starter efter denne periode.
- Køleskabet er ved at afrime. Dette er normalt for et køleskab med fuldautomatisk afrimning. Afrimning foregår med jævne mellemrum.
- Køleskabsstikket er ikke sat i kontakten. Sørg for, at stikket er sat ordentligt i kontakten.
- Er temperaturindstillingerne foretaget rigtigt?
- Strømmen kan være afbrudt.



#### Køleskabet kører ofte eller i lang tid.

- Det nye køleskab kan være bredere end det foregående. Dette er helt normalt. Store køleskabe arbejder i længere perioder.
- Den omgivende rumtemperatur kan være høj. Dette er helt normalt.
- Køleskabet kan have været sat til for nylig eller have været fyldt op med mad. Komplet nedkøling af køleskabet kan vare et par timer længere.
- Store mængder varm mad kan være blevet sat ind i køleskabet fornylig. Varm mad medfører, at køleskabet skal køre i længere tid, indtil maden når den ønskede temperatur.
- Lågerne kan have været åbnet jævnligt eller have stået på klem i lang tid. Den varme luft, der er kommet ind i køleskabet, får køleskabet til at køre i længere perioder. Undlad at åbne lågen så ofte.
- Fryserens eller køleskabets dør kan have stået på klem. Kontrollér om lågerne er lukket tæt.
- Køleskabet er indstillet meget koldt. Indstil køleskabstemperaturen højere, indtil temperaturen er tilpas.
- Køleskabets eller fryserens lågepakning kan være snavset, slidt, ødelagt eller ikke sat ordentligt på. Rengør eller udskift pakningen. Beskadiget/knækket pakning forårsager, at køleskabet kører i længere perioder for at vedligeholde den aktuelle temperatur.

#### Frysertemperaturen er meget lav, mens køleskabstemperaturen er tilpas.

- Frysertemperaturen er indstillet meget koldt. Justér frysertemperaturen varmere og kontrollér.

#### Køleskabstemperaturen er meget lav, mens frysertemperaturen er tilpas.

- Køleskabstemperaturen er indstillet til en meget lav temperatur. Justér køleskabstemperaturen varmere og kontrollér.

#### Mad, der opbevares i køleskabet, fryser.

- Køleskabstemperaturen er indstillet til en meget lav temperatur. Justér køleskabstemperaturen varmere og kontrollér.

#### Temperaturen i køleskab eller fryser er meget høj.

- Køleskabstemperaturen er indstillet til en meget lav temperatur. Køleskabsindstillingen har virkning på fryserens temperatur. Skift køleskabets eller fryserens temperatur, indtil køleskabs- eller frysertemperatur når et tilpas niveau.
- Lågerne kan have været åbnet jævnligt eller have stået på klem i lang tid.
- Døren kan have stået på klem, luk døren helt.
- Store mængder varm mad kan være blevet sat ind i køleskabet fornylig. Vent til køleskabet eller fryseren når den ønskede temperatur.
- Køleskabet kan være taget ud af kontakten fornylig. Komplet nedkøling af køleskabet tager tid.

Funktionslyden øges, når køleskabet kører.
<ul style="list-style-type: none"> <li>Egenskaberne for køleskabets driftsydelse kan ændre sig alt efter ændringerne i den omgivende temperatur. Det er normalt og ikke en fejl.</li> </ul>
Vibrationer eller støj.
<ul style="list-style-type: none"> <li>Gulvet er ikke lige, eller det er svagt. Køleskabet vipper, når det flyttes langsomt. Sørg for, at gulvet er lige, stærkt og kapabelt til at bære køleskabet.</li> <li>Støjen kan være forårsaget af de genstande, der er lagt i køleskabet. Ting oven på køleskabet skal fjernes.</li> </ul>
Der er støj som væske, der løber over eller sprøjter.
<ul style="list-style-type: none"> <li>Væske- og gasstrømning sker i henhold til køleskabets driftsprincipper. Det er normalt og ikke en fejl.</li> </ul>
Der er en støj som en vind, der blæser.
<ul style="list-style-type: none"> <li>Ventilatorer bruges til at køle køleskabet. Det er normalt og ikke en fejl.</li> </ul>
Kondensvand på køleskabets indervægge.
<ul style="list-style-type: none"> <li>Varmt og fugtigt vejr øger isdannelse og udsvedning. Det er normalt og ikke en fejl.</li> <li>Dørene kan have stået på klem, sørg for de er helt lukkede.</li> <li>Lågerne kan have været åbnet jævnligt eller have stået på klem i lang tid.</li> </ul>
Der opstår fugt på ydersiden af køleskabet eller mellem lågerne.
<ul style="list-style-type: none"> <li>Der kan være fugtighed i luften hvilket er normalt i fugtigt vejr. Når fugtigheden er mindre, vil kondensen forsvinde.</li> </ul>
Dårlig lugt inde i køleskabet.
<ul style="list-style-type: none"> <li>Køleskabets skal rengøres indvendigt. Rengør køleskabet indvendigt med en svamp, varmt vand eller kulstofholdigt vand.</li> <li>Nogle beholdere eller emballeringsmaterialer kan forårsage lugten. Brug en anden beholder eller et andet mærke indpakningsmateriale.</li> </ul>
Døren lukker ikke.
<ul style="list-style-type: none"> <li>Madbeholdere forhindrer lågen i at lukke. Omplacér pakkerne, der blokerer lågen.</li> <li>Køleskabet står ikke helt lodret på gulvet og vipper når det flyttes lidt. Justér højdeskruerne.</li> <li>Gulvet er ikke lige eller stærkt. Sørg for, at gulvet er lige, stærkt og kapabelt til at bære køleskabet.</li> </ul>
Grøntsagsskuffer sidder fast.
<ul style="list-style-type: none"> <li>Maden berører måske skuffens top. Omarrangér maden i skuffen.</li> </ul>

## Läs den här bruksanvisningen först!

Kära kund!

Vi hoppas att produkten, som har tillverkats på en modern anläggning och genomgått de allra noggrannaste kvalitetsprocesser, kommer att erbjuda effektiv service.

Vi rekommenderar därför att du läser igenom hela bruksanvisningen noggrant innan du använder den och att du förvarar den nära till hands för framtida referens.

## Den här bruksanvisningen


- Hjälper dig använda enheten på ett snabbt och säkert sätt.
  - Läs bruksanvisningen innan du installerar och använder produkten.
  - Följ instruktionerna, speciellt säkerhetsanvisningarna.
  - Förvara bruksanvisningen på en lättåtkomlig plats där du kan hämta den senare.
  - Läs även övriga dokument som tillhandahålls tillsammans med produkten.
- Observera att den här bruksanvisningen även kan gälla för andra modeller.

## Symboler och beskrivningar för dem

Den här bruksanvisningen innehåller följande symboler:

 Viktig information eller användbara tips.

 Varning för risker för liv och egendom.

 Varning för elektrisk spänning.

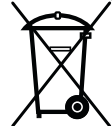


### **VARNING!**

För att försäkra dig om en normal drift av din kylningsenhet, som använder ett miljövänligt kylmedel R600a (endast flambart under vissa förhållanden) måste du beakta följande regler:

- Förhindra inte att luften cirkulerar fritt runt enheten.
- Använd inte mekaniska enheter för att snabba på avfrostningsprocessen, förutom det som rekommenderas av tillverkaren.
- Skada inte kylningskretsen.
- Använd inte elektriska apparater inuti förvarningsfacket, förutom de som rekommenderas av tillverkaren.

### Återvinning



Den här produkten är försedd med symbolen för källsortering av elektriskt och elektroniskt material (WEEE).

Detta innebär att produkten måste hanteras i enlighet med EU-direktivet 2002/96/EC för att återvinnas eller återanvändas och därmed minimera påverkan på miljön. För ytterligare information, kontakta din lokala kommun.

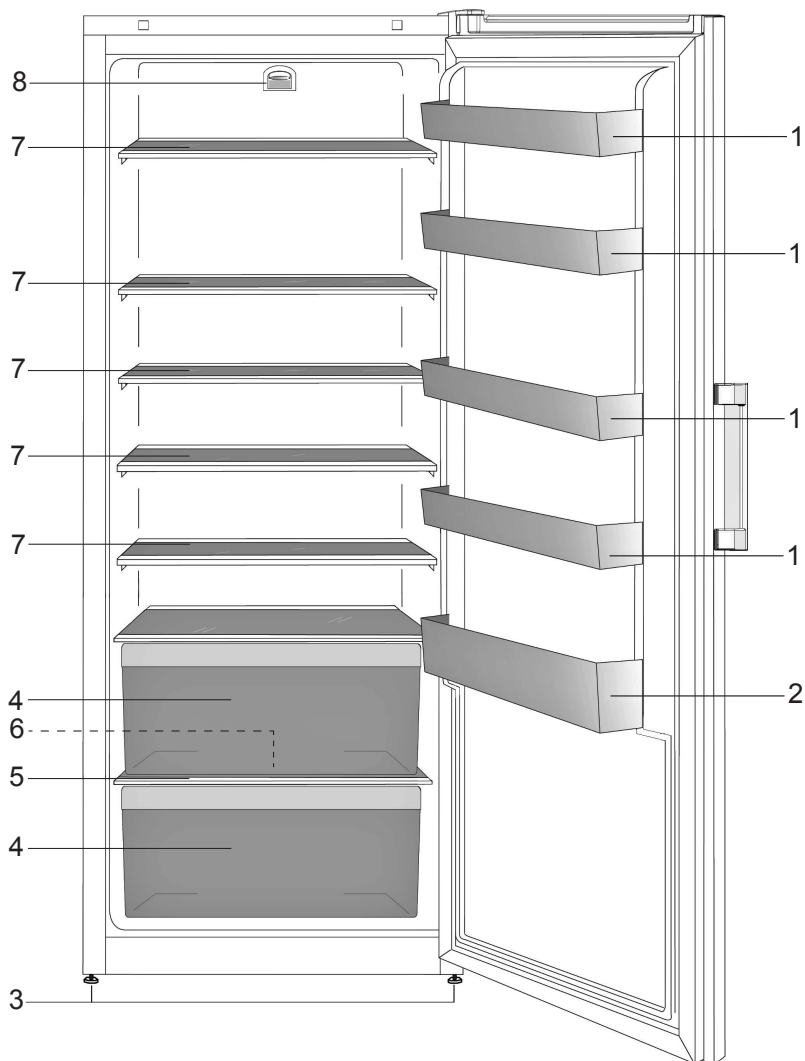
Elektroniska produkter som inte inkluderas i källsortering är potentiellt farliga för miljön och den personliga hälsan, på grund av farliga substanser.

## INNEHÅLL

---

<b>1 Kylskåpet</b>	<b>3</b>	<b>4 Förberedelse</b>	<b>10</b>
<b>2 Viktiga säkerhetsvarningar</b>	<b>4</b>	<b>5 Använda kylskåpet</b>	<b>11</b>
Avsedd användning .....	4	Ställ in driftstemperaturen .....	11
Allmän säkerhet .....	4	Använda de invändiga facken .....	11
För produkter med vattenbehållare; ...	6	Kylning .....	11
Barnsäkerhet .....	6	Avfrostning .....	12
HCA-Varning .....	6	Stoppa produkten .....	12
Saker att göra för att spara energi .....	6	<b>6 Underhåll och rengöring</b>	<b>13</b>
<b>3 Installation</b>	<b>7</b>	Skydd av plastytor .....	13
Saker att tänka på vid transport av kylskåpet .....	7	<b>7 Rekommenderade lösningar på problem</b>	<b>14</b>
Innan du använder kylskåpet .....	7		
Elektrisk anslutning .....	7		
Kassering av förpackningen .....	8		
Kassering av ditt gamla kylskåp .....	8		
Placering och installation .....	8		
Byte av innerbelysningens glödlampa .....	8		
Byte av dörrar .....	9		

# 1 Kylskåpet



- |                           |                            |
|---------------------------|----------------------------|
| 1. Justerbara dörrhyllor  | 6. Vattenbehållare         |
| 2. Flaskställ             | 7. Flyttbara hyllor        |
| 3. Justerbara frontfötter | 8. Glödlampa och termostat |
| 4. Grönsakslåda           |                            |
| 5. Lock till grönsakslåda |                            |

**i** Bilder som förekommer i den här bruksanvisningen är exempel och överensstämmer inte exakt med din produkt. Om delar inte medföljer produkten du har köpt så gäller det för andra modeller.

## 2 Viktiga säkerhetsvarningar

---

Läs följande information. Om du underlåter att följa den här informationen kan det orsaka person- och materialskador. Annars blir alla garanti - och tillförlitlighetsåtaganden ogiltiga.

### Avsedd användning

- Den här produkten är avsedd för följande användning:
- inomhus och i stängda rum, exempelvis i hemmet;
  - i stängda miljöer, såsom butiker och kontor;
  - i stängda inkvarteringsområden, såsom bondgårdar, hotell, pensionat.
  - Denna produkt ska inte användas utomhus.

### Allmän säkerhet

- När du vill avyttra produkten rekommenderar vi att du rådgör med auktoriserad kundtjänst för att få den information som krävs, samt auktoriserade organ.
- Rådfråga auktoriserad service när det gäller alla frågor och problem som är relaterade till kylskåpet. Modifiera inte kylskåpet utan att meddela auktoriserad kundtjänst.
- För produkter med frysfack; Ät inte glass och iskuber direkt efter att du har tagit ut dem ur frysfacket! (Det kan leda till köldskador i munnen.)
- För produkter med frysfack; Placera inte flaskprodukter och konserverade drycker i frysfacket. De kan explodera.
- Rör inte vid fryst mat med händerna; de kan fastna.
- Koppla ur kylskåpet före rengöring och avfrostning.
- Lättflyktiga material skall aldrig användas vid avfrostning av kylskåpet. Det kan leda till att ångan kommer i kontakt med elektriska delar och orsaka kortslutning eller elektriska stötar.
- Använd aldrig delar på din produkt såsom en dörr som stöd eller trappsteg.
- Använd inte elektriska enheter inne i kylskåpet.
- Skada inte delarna med borr eller vassa verktyg, när kylskåpet cirkulerar. Kylmedlet som kan läcka ut om rör eller ytor punkteras kan orsaka hudirritation och ögonskador.
- Täck inte över eller blockera ventilationshålen på kylskåpet med något material.
- Elektriska enheter måste repareras av behöriga fackmän. Reparationer som utförs av personer utan rätt kunskap kan orsaka risk för användaren.
- Vid eventuella fel eller felfunktion under service eller reparationsarbete, skall du koppla ur strömkällan till kylskåpet genom att antingen vrida ur motsvarande säkring eller dra ur sladden.
- Drag inte i kabeln – drag i kontakten.
- Placera drycker i kylskåpet ordentligt stängda och upprätt.
- Förvara aldrig spraymedel som innehåller antändbara och explosiva ämnen i kylskåpet.
- Använd inte mekaniska enheter eller andra sätt för att snabba på avfrostningsprocessen, förutom det som rekommenderas av tillverkaren.

- Den här produkten är inte avsedd att användas av personer med nedsatt fysisk, psykisk eller mental förmåga eller oerfarna personer (inklusive barn) om de inte övervakas av en person som ansvarar för deras säkerhet eller instruerar dem i användningen av produkter.

- Använd inte ett skadat kylskåp. Kontakta serviceombudet om du har några frågor.
- Elsäkerheten för kylskåpet garanteras endast om jordningssystemet i huset uppfyller de krav som gäller.

- Det är farligt att utsätta produkten för regn, snö, sol och vind med tanke på elsäkerheten.

- Kontakta auktoriserad service om strömkabeln skadas för att undvika fara.

- Koppla aldrig in kylskåpet i vägguttaget under installationen. Det ökar risken för allvarlig skada eller dödsfall.

- Det här kylskåpet är endast avsett för förvaring av livsmedel. Det får inte användas för något annat ändamål.

- Etiketten med tekniska specifikationer sitter på vänster insida i kylskåpet.

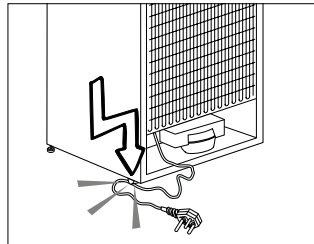
- Koppla aldrig in kylskåpet till energibesparande system; de kan skada kylskåpet.

- Om det finns en blå lampa på kylskåpet ska du inte titta in i den blå lampan med optiska verktyg.

- För manuellt kontrollerade kylskåp, vänta i minst 5 minuter för att starta kylskåpet efter strömavbrottet.

- Den här bruksanvisningen ska lämnas till den nya ägaren av produkten när den lämnas till andra.

- Undvik att orsaka skada på strömkabeln vid transport av kylskåpet. Om du böjer kabeln kan det orsaka brand. Placera aldrig tunga föremål på strömkabeln. Rör inte vid kontakten med våta händer när du kopplar in produkten.



- Anslut inte kylskåpet till ett eluttag som sitter löst.

- Vatten får av säkerhetsskäl inte sprayas direkt på de inre eller yttre delarna av produkten.

- Spraya inte ämnen som innehåller antändbara gaser, såsom propangas, nära kylskåpet för att undvika brand och explosionsrisk.

- Placera aldrig behållare som är fyllda med vatten på kylskåpet, eftersom det kan orsaka elektrisk kortslutning eller brand.

- Överbelasta inte kylskåpet med för stora mängder mat. Om det överbelastas kan mat falla ned och skada dig och kylskåpet när du öppnar dörren. Placera aldrig föremål på kylskåpet; annars kan de falla ned när du öppnar eller stänger kylskåpsdörren.

- Produkter som behöver en exakt temperaturkontroll (vaccin, värmekänslig medicin, vetenskapliga material etc.) får inte förvaras i kylan.

- Om kylskåpet inte används under en längre tid ska det kopplas från strömkällan. Ett möjligt problem i strömkabeln kan orsaka brand.

- Kontaktens stift ska rengöras regelbundet; annars kan det leda till brandrisk.
- Kontaktens stift ska rengöras regelbundet med en torr trasa; annars kan det leda till brandrisk.
- Kylskåpet kan flytta på sig om de justerbara benen inte sitter fast ordentligt i golvet. Om du förankrar de justerbara benen ordentligt i golvet kan det förhindra att kylskåpet flyttar på sig.
- När du bär på kylskåpet ska du inte hålla i dörrhandtaget. Annars kan det släppa.
- Om du har placerat produkten intill ett annat kylskåp eller en frys ska avståndet mellan enheterna vara minst 8 cm. Annars kan de angränsande väggarna bli fuktiga.

## För produkter med vattenbehållare;

Vattentrycket ska vara minst 1 bar.  
Vattentrycket ska vara max 8 bar.

- Använd bara drickbart vatten.

## Barnsäkerhet

- Om dörren har ett lås ska nyckeln hållas borta från barn.
- Barn ska övervakas för att hindra att de pillar på produkten.

## HCA-Varning

### Om produktens kylsystem innehåller R600a:

Den här gasen är lättantändlig. Var därför noggrann så att du inte skadar kylsystemet och rören under användning och transport. Om det skulle uppstå någon skada skall produkten hållas borta från potentiella eldkällor som kan göra att produkten fattar eld och du ska ventilerat rummet där enheten är placerad.

## Du kan bortse från den här varningen om produktens kylsystem innehåller R134a.

Typen av gas som används i produkten anges på märkplåten som sitter på kylskåpets vänstra insida.

Kasta aldrig produkten i eld när den ska kasseras.

## Saker att göra för att spara energi

- Låt inte dörrarna till kylskåpet stå öppna under en längre tid.
- Placera inte varm mat eller varma drycker i kylskåpet.
- Överbelasta inte kylskåpet så att luftcirkulationen invändigt hindras.
- Installera inte kylskåpet i direkt solljus eller nära värmeavsöndrande enheter såsom ugn, diskmaskin eller element.
- Observera att mat ska förvaras i tillslutna behållare.
- För produkter med frysack; Du kan lagra maximal mängd mat i frysen när du tar bort hyllan eller lådan till frysen. Energiförbrukningen som anges på kylskåpet har fastställts genom att ta bort fryshyllan eller lådan och ha maximal belastning. Det finns ingen risk i att använda en hylla eller låda enligt formerna och storlekarna på maten som ska frysas.
- Upptining av fryst mat i kylfacket sparar både energi och håller matens kvalitet.



### 3 Installation

⚠ Kom ihåg att tillverkaren inte skall hållas ansvarig om användaren underlåter att observerar något i den här bruksanvisningen.

#### Saker att tänka på vid transport av kylskåpet

1. Kylskåpet måste vara tomt och rent före transport.
2. Hyllor, tillbehör, grönsakslåda etc. i kylskåpet måste spännas fast ordentligt med självhäftande tejp före ompaketering.
3. Förpackningen måste fästas ihop med tjock tejp och starka rep och de transportregler som anges på förpackningen måste följas.

#### Glöm inte...

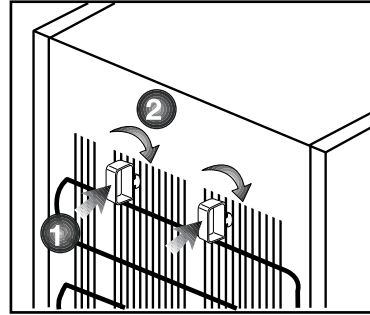
Varje återvunnet material är en ovärderlig källa för naturen och för våra nationella resurser.

Om du vill bidra till återvinningen av förpackningsmaterial kan du hämta ytterligare information från våra miljöorgan eller lokala myndigheter.

#### Innan du använder kylskåpet

Kontrollera följande innan du startar kylskåpet:

1. Är kylskåpets insida torr och kan luften cirkulera fritt bakom det?
2. Du kan installera de 2 plastklämmorna så som visas på bilden. Plastklämmorna ger rätt avstånd mellan kylskåpet och väggen för att tillåta luften att cirkulera. (Bilden som visas är bara ett exempel och överensstämmer inte exakt med din produkt.)



3. Rengör kylskåpets insida enligt rekommendationerna i avsnittet "**Underhåll och rengöring**".
4. Koppla in kylskåpet i vägguttaget. När kylskåpsdörren öppnas kommer den invändiga belysningen att tändas.
5. Du kommer att höra ett bullrande ljud när kompressorn startar. Vätska och gas inne i produkten kan också ge upphov till ljud, även om kompressorn inte körs och detta är helt normalt.
6. De främre kanterna på kylskåpet kan kännas varma. Detta är normalt. De här områdena är utformade för att bli varma och därmed undvika kondens

#### Elektrisk anslutning

Anslut produkten till ett jordat uttag som skyddas av en säkring med lämplig kapacitet.

Viktigt:

- Anslutningen måste ske i enlighet med nationell lagstiftning.
- Strömkabelns kontakt måste vara lätt att komma åt efter installationen.
- Den angivna spänningen måste överensstämma med strömkällans spänning.

- Förlängningskablar och grenkontakter får inte användas för anslutningen.
- ⚠ En skadad strömkabel måste bytas av en behörig elektriker.
- ⚠ Produkten får inte användas innan den reparerats! Det finns risk för kortslutning!

## Kassering av förpackningen

Förpackningsmaterial kan vara farligt för barn. Förvara förpackningsmaterialen utom räckhåll för barn eller kassera dem i enlighet med gällande avfallsregler. Kassera dem inte med hushållsavfallet.

Förpackningsmaterialet för ditt kylskåp produceras av återvinningsbara material.

## Kassering av ditt gamla kylskåp

Kassera ditt gamla kylskåp utan att skada miljön.

- Du kan kontakta en auktoriserad återförsäljare eller ett återvinningscenter angående avyttring av ditt kylskåp.
- Innan du kasserar kylskåpet ska du dra ur strömkontakten och, om det finns några lås på dörren, göra dem obrukbara för att förhindra att barn skadar sig.

## Placering och installation

⚠ Om entrén till rummet där kylskåpet skall installeras är inte bred nog för att kylskåpet skall kunna passera skall du ringa till auktoriserad fackman så att de avlägsnar dörrarna på kylskåpet och tar in det i sidled genom dörren.

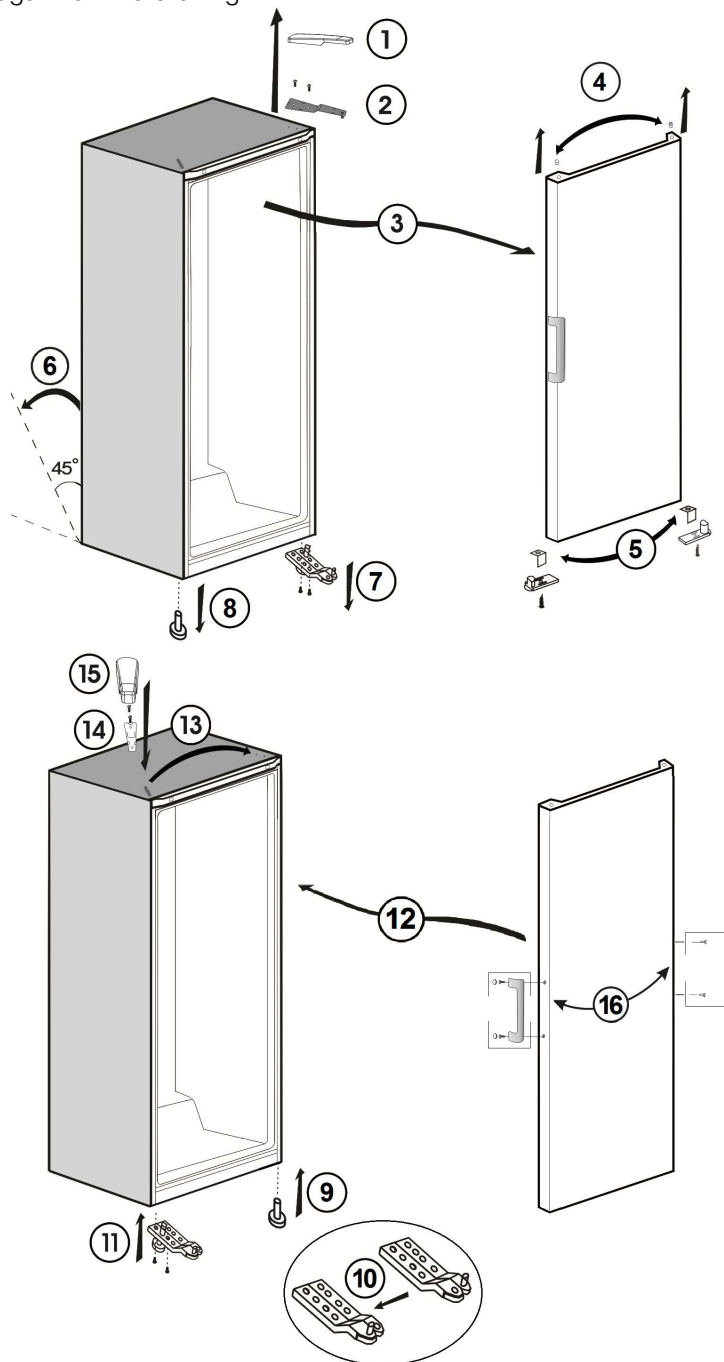
1. Installera kylskåpet på en plats där det är lättåtkomligt.
2. Håll kylskåpet borta från värmekällor, fuktiga platser och direkt solljus.
3. Det måste finnas tillräcklig ventilation runt kylskåpet för att uppnå effektiv användning. Om kylskåpet placeras i en hållighet i väggen måste det vara ett avstånd på minst 5 cm till taket och 5 cm till väggen. Om golvet täcks med en matta måste produkten ha ett mellanrum på 2,5 cm till golvet
4. Placera kylskåpet på en jämn och plan golvyta för att förhindra lutningar.
5. Låt inte kylskåpet stå i en omgivande temperatur som understiger 10°C.

## Byte av innerbelysningens glödlampa

Ring auktoriserad service när du vill byta lampa. Lamporna som används i utrustningen är inte anpassade som rumsbelysning. Det avsedda ändamålet för lamporna är att hjälpa användaren placera mat i kylskåpet/frysen på ett säkert och bekvämt sätt. Lamporna i apparaten måste kunna tåla extrema fysiska förhållanden såsom temperaturer under -20°C.

# Byte av dörrar

Gå tillväga i nummerordning.



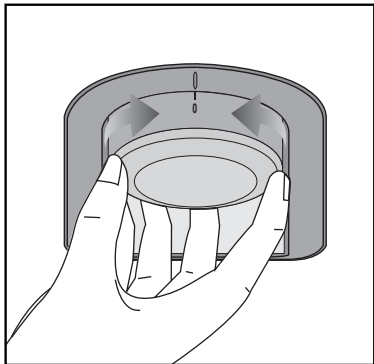
## 4 Förberedelse

---

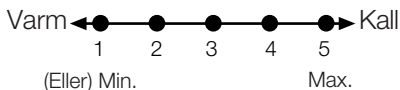
- i** Kylskåpet skall installeras minst 30 cm från värmekällor, såsom spis, ugn och centralvärme och minst 5 cm från elektriska ugnar och får inte placeras i direkt solljus.
- i** Den omgivande temperaturen i rummet där du installerar kylskåpet skall vara minst 10°C. Användning i kallare miljöer rekommenderas inte och kan minska effektiviteten.
- i** Se till att kylskåpet är ordentligt rengjort invändigt.
- i** Om två kylskåp skall installeras intill varandra skall det vara ett avstånd på minst 2 cm mellan dem.
- i** Vid användning av kylskåpet för första gången skall du observera följande anvisningar under de första sex timmarna.
  - Dörren får inte öppnas för ofta.
  - Det måste köras tomt utan mat.
  - Dra inte ur sladden till kylskåpet. Om det inträffar ett strömavbrott som ligger utanför din kontroll, se varningarna i avsnittet "**Rekommenderade lösningar på problem**".
- i** Originalförpackning och skumplastmaterial skall sparas för framtida transport.

## 5 Använda kylskåpet

### Ställ in driftstemperaturen



Drifttemperaturen regleras med temperaturreglaget.



**1 = Lägsta kylinställning (Varmaste inställning)**

**5 = Högsta kylinställning (Kallaste inställning)**

(Eller)

**Min. = Lägsta kylinställning**

(Varmaste inställning)

**Max. = Högsta kallaste inställning**

(Kallaste inställning)

Medeltemperaturen inuti kylskåpet bör ligga runt +5°C.

Välj inställning enligt önskad temperatur.

Observera att det förekommer olika temperaturer i kylområdet.

Det kallaste området är placerat precis ovanför grönsakshyllan.

Den invändiga temperaturen beror också på den omgivande temperaturen, hur ofta dörren öppnas och hur mycket mat som förvaras i kylskåpet.

Frekvent öppnande av dörren gör att den invändiga temperaturen stiger.

Av denna anledning bör man stänga dörren så fort som möjligt efter användning.

### Använda de invändiga facken

Flyttbara hyllor: Avståndet mellan hyllplanen kan justeras vid behov.

Grönsakslåda: Grönsaker och frukt kan lagras i det här facket under längre perioder utan att förstöras.

Flaskställ: Flaskor och burkar kan placeras på de här fyllorna.

### Kylning

#### Matförvaring

Kylen är till för kortvarig förvaring av färsk mat och dryck.

Förvara mjölkprodukter på avsedd hylla i kylskåpet.

Flaskor kan förvaras i flaskhållaren eller på flaskyllan i dörren.

Rått kött förvaras bäst i en plastpåse på hyllan i kylskåpets nedersta del.

Låt varm mat och varma drycker svalna till rumstemperatur innan de placeras i kylskåpet.

- Observera

Förvara koncentrerad alkohol i upprätt position i tätt försluten behållare.

- Observera

Förvara inte explosiva ämnen eller behållare med lättantändliga drivmedel (grädde i sprayform, sprayburkar etc.) i enheten. Detta kan orsaka explosion.

## Avfrostning

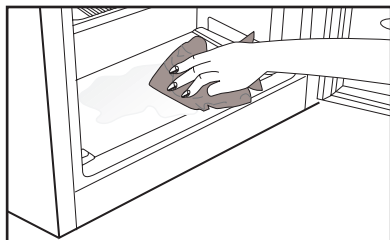
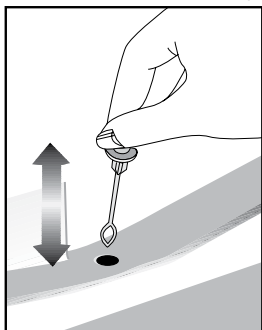
Kylen avfrostas automatiskt.

Avfrostningsvattnet rinner till dräneringsröret via en uppsamlingsbehållare på enhetens baksida.

Under avfrostning formas droppar på baksidan av frysen p.g.a. avdunstningsapparaten.

Om inte alla droppar rinner ner, kan de frysa på nytt efter avfrostning. Avlägsna dessa med en varm, fuktig trasa, men aldrig med ett hårt eller vasst föremål.

Kontrollera flödet med tinat vatten då och då. Det kan ibland täppas till.



## Stoppa produkten

Om termostaten är utrustad med positionen "0":

- Produkten slutar arbeta när du vrider termostaten till position "0" (noll). Din produkt startar inte om du inte vrider termostavredet till position "1" eller en av de andra positionerna igen.

Om termostaten är utrustad med positionen "min":

- Koppla ur produkten för att stoppa den.

## 6 Underhåll och rengöring

---

- ⚠ Använd aldrig bensin, bensen eller liknande ämnen för rengöring.
- ⚠ Vi rekommenderar att du kopplar ur utrustningen före rengöring.
- ⚠ Använd aldrig vassa instrument eller slipande medel, tvål, rengöringsmedel, tvättmedel eller polish för rengöring.
- ℹ Använd ljummet vatten för rengöring av enhetens skåp och torka det torrt.
- ℹ Använd en fuktig trasa urvriden i en lösning av en tesked bikarbonatsoda till en halv liter vatten, torka ur interiören och torka sedan torrt.
- ⚠ Se till att inget vatten tränger in i lampkåpan och i andra elektriska tillbehör.
- ⚠ Om enheten inte kommer att användas under en längre tid, stäng då av den, plocka ur all mat, rengör den och lämna dörren på glänt.
- ℹ Kontrollera dörrens tätningslist regelbundet så att den är ren och fri från matrester.
- ⚠ För att ta bort ett dörrfack tar du först ur allt innehåll och trycker sedan enkelt upp det från sitt fäste.

### Skydd av plastytor

- ℹ Förvara inte rinnande olja eller mat som har tillagats i olja utan att vara tillslutna i kylskåpet, eftersom det kan skada kylskåpets plastytor. Om du spiller olja på plasten, rengör och skölj ytan direkt med varmvatten.

## 7 Rekommenderade lösningar på problem

Titta igenom listan innan du tillkallar service. Det kan spara både tid och pengar. Den här listan inkluderar vanliga klagomål som inte uppstår till följd av defekter i tillverkningen eller materialanvändningen. Vissa av funktionerna som beskrivs här kanske inte finns på din produkt.

### Kylen fungerar inte.

- Är kylskåpet korrekt inkopplat? Sätt i vägguttaget.
- Har säkringen som är ansluten till kylskåpet gått? Kontrollera säkringen.

### Kondens på kylskåpets sidoväggar (MULTIZON, KYLKONTROLL och FLEXIZON).

- Mycket kalla omgivande förhållanden. Dörren öppnas och stängs ofta. Hög luftfuktighet i den omgivande luften. Lagring av mat med vätska i öppna behållare. Dörren har lämnats öppen. Vrid termostaten till ett kallare läge.
- Minska tiden som dörren lämnas öppen eller öppna inte så ofta.
- Täck över mat som lagras i öppna behållare med ett lämpligt material.
- Torka av kondens med en torr trasa och kontrollera om den kvarstår.

### Kompressorn går inte.

- Det termiska skyddet i kompressorn kommer att lösas ut vid plötsliga strömavbrott då kylskåpets tryck i kylsystemet inte har balanserats. Ditt kylskåp startar efter omkring 6 minuter. Tillkalla service om kylskåpet inte startar i slutet av den här perioden.
- Frysens är i avfrostningsläge. Det här är normalt för en helautomatiskt avfrostande kyl. Avfrostningscykeln inträffar regelbundet.
- Kylskåpet är inte inkopplat i strömkällan. Kontrollera att kontakten sitter ordentligt i uttaget.
- Är temperaturinställningen korrekt?
- Strömmen kan kapas.



#### Kylskåpet körs ofta eller under en längre tid.

- Din nya produkt kan vara bredare än det gamla. Detta är helt normalt. Stora kylskåp arbetar under en längre tidsperiod.
- Den omgivande rumstemperaturen kan vara hög. Detta är helt normalt.
- Kylskåpet kan ha varit inkopplat nyligen eller ha fyllts på med mat. Det kan ta flera timmar innan kylskåpet har kylts ned helt.
- Stora mängder mat kanske har placerats i kylskåpet nyligen. Varm mat gör att kylskåpet arbetar längre för att uppnå önskad temperatur.
- Dörren kanske har öppnats ofta eller lämnats öppen under en längre tid. Den varma luften som har kommit in i kylskåpet gör att kylskåpet arbetar under längre perioder. Öppna inte dörrarna så ofta.
- Frysens eller kylfacket dörren kanske har lämnats öppen. Kontrollera om dörren är ordentligt stängd.
- Kylskåpet är inställt på en mycket kall nivå. Justera kylskåpstemperaturen till en högre nivå tills temperaturen är enligt önskemål.
- Dörrens tätning på kyl eller frys kan vara slitna, smutsiga eller trasiga. Rengör eller byt tätningen. Skadade tätningar kan göra att kylskåpet körs under en längre tid för att bibehålla den aktuella temperaturen.

#### Frystemperaturen är mycket låg när kyltemperaturen är normal.

- Frysens temperatur är inställd på en mycket kall nivå. Justera frystemperaturen till en högre nivå och kontrollera.

#### Kyltemperaturen är mycket låg när frystemperaturen är normal.

- Kylens temperatur kanske är inställd på en mycket låg temperatur. Justera kyltemperaturen till en högre nivå.

#### Mat som förvaras i kylskåpsfacken fryser.

- Kylens temperatur kanske är inställd på en mycket låg temperatur. Justera kyltemperaturen till en högre nivå.

#### Temperaturen i kylan eller frysen är mycket hög.

- Kylens temperatur kanske är inställd på en mycket hög temperatur. Kylinställningen påverkar frysens temperatur. Sänk temperaturen för kyl eller frys tills den ligger på acceptabel nivå.
- Dörren kanske har öppnats ofta eller lämnats öppen under en längre tid.
- Kylskåpsdörren kan ha lämnats öppen; stäng dörren direkt.
- Stora mängder mat kanske har placerats i kylskåpet nyligen. Vänta tills kylan eller frysen uppnår önskad temperatur.
- Kylskåpet kanske nyligen har kopplats in. Nedkylningen kan ta tid.

Kylskåpet dånar när det går.
<ul style="list-style-type: none"> <li>Egenskaperna hos kylskåpet kan ändras enligt den omgivande temperaturen. Detta är normalt och inte något fel.</li> </ul>
Vibrationer eller felbalans.
<ul style="list-style-type: none"> <li>Golvet är ojämnt eller svagt. Kylskåpet skakar när det rör sig långsamt. Säkerställ att golvet är rakt, kraftigt och att det klarar tyngden från kylskåpet.</li> <li>Ljudet kan orsakas av saker som ligger ovanpå kylan. Föremål på kylskåpet ska tas bort.</li> </ul>
Det förekommer ljud från kylskåpet som låter som dropp eller sprutning.
<ul style="list-style-type: none"> <li>Vätske- och gasflöden sker i enlighet med användningsprinciperna för ditt kylskåp. Detta är normalt och inte något fel.</li> </ul>
Det förekommer ljud som låter som vind.
<ul style="list-style-type: none"> <li>Fläktar används för att kyla ned kylskåpet. Detta är normalt och inte något fel.</li> </ul>
Kondens på innerväggarna i kylskåpet.
<ul style="list-style-type: none"> <li>Varmt och fuktigt väder ökar isbildning och kondens. Detta är normalt och inte något fel.</li> <li>Dörrarna kan ha lämnats öppna; se till att stänga dörrarna ordentligt.</li> <li>Dörren kanske har öppnats ofta eller lämnats öppen under en längre tid.</li> </ul>
Fukt bildas på kylskåpets utsida eller mellan dörrarna.
<ul style="list-style-type: none"> <li>Det kan finnas fukt i luften; detta är normalt vid fuktig väderlek. När fuktnivån är lägre försvinner kondensen.</li> </ul>
Dålig lukt inne i kylan.
<ul style="list-style-type: none"> <li>Kylskåpets insida måste rengöras. Rengör kylskåpets insida med en svamp och varmt vatten.</li> <li>Vissa behållare eller förpackningsmaterial kan orsaka lukt. Använd en annan behållare eller olika förpackningsmaterial.</li> </ul>
Dörren stängs inte.
<ul style="list-style-type: none"> <li>Matpaket kan vara i vägen. Byt ut förpackningarna som ligger ivägen för dörren.</li> <li>Kylskåpet står inte helt rakt på golvet och svajar lätt när det förflyttas. Justera lyftskruvarna.</li> <li>Golvet är inte helt plant eller tillräckligt starkt. Säkerställ att golvet är rakt, kraftigt och att det klarar tyngden från kylskåpet.</li> </ul>
Grönsaker fastnar.
<ul style="list-style-type: none"> <li>Maten kanske vidrör taket i lådan. Sortera om maten i facket.</li> </ul>

## Vennligst les denne veiledningen først!

Kjære kunde,

Vi håper at produktet ditt, som er produsert ved moderne fabrikker og som har gått igjennom strenge kvalitetskontrollprosedyrer, fullt ut vil dekke dine behov.




Derfor ber vi deg lese nøye gjennom denne veiledningen før du bruker produktet, og beholde denne for fremtidig bruk.

## Bruksanvisningen

- Vil hjelpe deg til å bruke apparatet på en hurtig og sikker måte.
  - Vennligst les bruksanvisningen før du installerer og bruker produktet.
  - Følg instruksjonene, spesielt de som angår sikkerheten.
  - Hold veiledningen lett tilgjengelig, siden du kan ha behov for den senere.
  - Les også de andre dokumentene som ble levert sammen med produktet.
- Vennligst merk at denne bruksanvisningen kan gjelde for flere andre modeller.

## Symboler og beskrivelser av disse

Denne veiledningen inneholder følgende symboler:

-  Viktig informasjon eller nyttige tips om bruk.
-  Advarsel om farlige omstendigheter for liv og eiendom.
-  Advarsel om elektrisk spenning.



### **ADVARSEL!**

For å sikre normal drift av kjøleapparatet, som bruker den miljøvennlige kjølevæskan R600a (brennbar bare under spesielle vilkår), må du følge disse reglene:

- Det må alltid være fri sirkulasjon av luft rundt apparatet.
- Bruk ikke andre mekaniske gjenstander for å gjøre avisingen raskere enn dem som anbefales av produsenten.
- Ødelegg ikke kjølekretsen.
- Bruk ikke andre elektriske apparater inne i apparatet enn dem som eventuelt anbefales av produsenten.

### **Resirkulering**



Dette produktet har utvalgt sorteringssymbol for avfall elektrisk og elektronisk utstyr (WEEE).

Dette betyr at dette produktet må håndteres etter EU-direktivet 2002/96/EC for å resirkuleres eller demonteres for å redusere virkningen på miljøet. For ytterligere informasjon, vennligst ta kontakt med lokale eller regionale myndigheter.

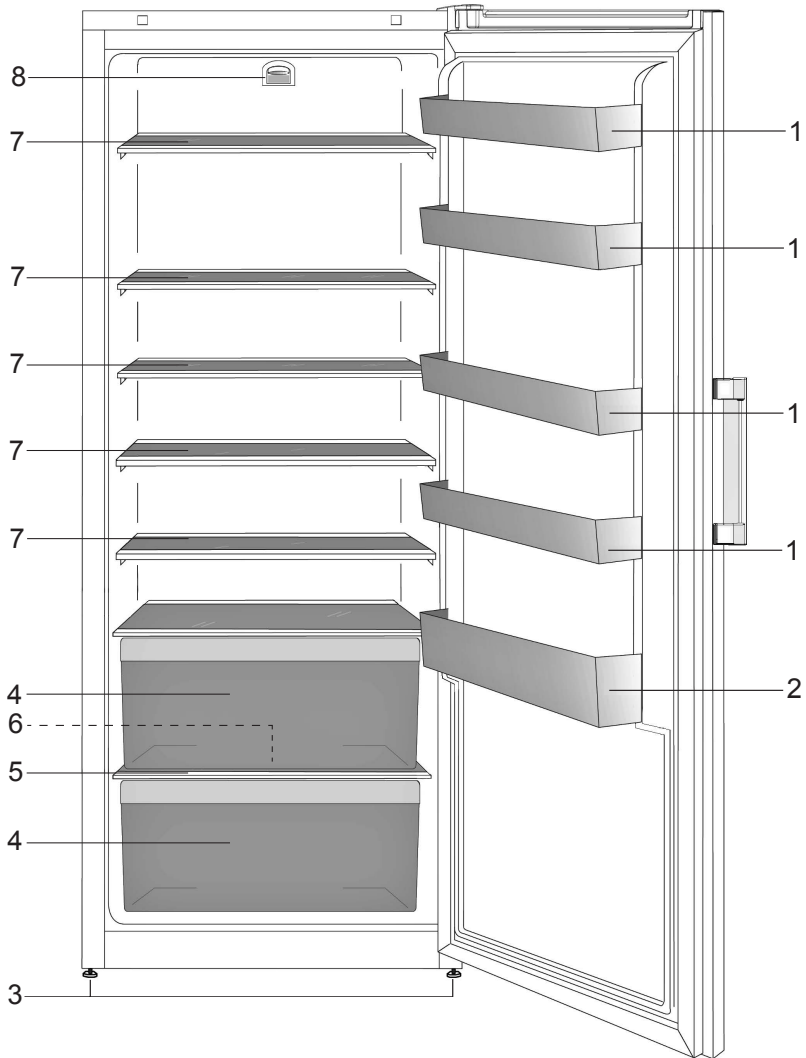
Elektroniske produkter som ikke er inkludert i utvalgt sorteringsprosess er potensielt farlige for miljøet og menneskers helse pga. tilstedeværelse av farlige substanser.

## INNHOLD

---

<b>1 Kjøleskapet</b>	<b>3</b>	<b>4 Forberedelse</b>	<b>10</b>
<b>2 Viktige sikkerhetsadvarsler</b>	<b>4</b>	<b>5 Bruk av kjøleskapet</b>	<b>11</b>
Beregnet bruk.....	4	Stille driftstemperaturen .....	11
Generell sikkerhet .....	4	Bruke de indre oppbevaringsdelene... 11	
For produkter med en vanndispenser....	6	Nedkjøling .....	11
Barnesikring .....	6	Tining .....	12
HCA-advarsel .....	6	Stoppe produktet .....	12
Hva du må gjøre for å spare energi ....	6	<b>6 Vedlikehold og rengjøring</b>	<b>13</b>
<b>3 Montering</b>	<b>7</b>	Beskyttelse av plastoverflater .....	13
Punkter som er viktige ved ytterligere transportering av kjøleskapet .....	7	<b>7 Anbefalte løsninger på problemer</b>	<b>14</b>
Før du bruker kjøleskapet .....	7		
Elektrisk tilkobling .....	7		
Avfallshåndtering av emballasje.....	8		
Avfallshåndtering av det gamle kjøleskapet .....	8		
Plassering og montering .....	8		
Utskifting av lyspæren inne i skapet....	8		
Omhengsling av dørene.....	9		

# 1 Kjøleskapet



- 1. Justerbare hyller i døren
- 2. Flaskehylle
- 3. Justerbare frambein
- 4. Grønnsaksskuff
- 5. Grønnsaksskuffe lokk

- 6. Smeltevanns oppsamlings kanal - avløpsrør
- 7. Flyttbare hyller
- 8. Lyspære og termostatboks

**i** Illustrasjonene i denne veiledningen er skjematiske og kan derfor være litt forskjellige fra ditt produkt. Hvis noen deler ikke medfølger produktet du har kjøpt, gjelder den for andre modeller.

## 2 Viktige sikkerhetsadvarsler

Vennligst les følgende informasjon. Hvis denne informasjonen ikke overholdes, kan det forårsake personskader eller materielle skader. Videre vil garanti og pålitelighetsforpliktelser regnes ugyldige.

### Beregnet bruk

Dette produktet er beregnet til bruk:

- Innendørs og på lukkede områder, slik som hjem.
- I lukkede arbeidsmiljøer, slik som butikker og kontorer.
- I lukkede husområder, slik som gårder, hoteller, pensjonater.
  - Dette produktet skal ikke brukes utendørs.

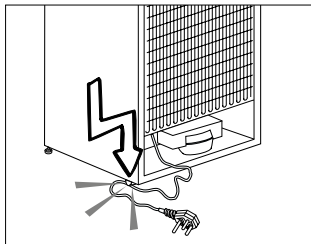
### Generell sikkerhet

- Når du ønsker å kaste/skrote produktet, anbefaler vi at du forhører deg med noen som er autorisert, slik at du får den nødvendige informasjonen og får rådført deg med autoriserte etater.
- Forhør deg med autoriserte personer ved spørsmål og problemer relatert til kjøleskapet. Ikke foreta endringer eller la noen andre foreta endringer på kjøleskapet uten å varsle noen som er autorisert.
- For produkter med fryserdel: Ikke spis is krem med kjeks eller isbiter like etter at du har tatt dem ut av fryseren! (Dette kan forårsake frostbitt i munnen.)
- For produkter med fryserdel: Ikke putt drikkevarer på flaske eller bokser i fryseren. Det kan føre til at de sprekker.
- Ikke rør frossen mat med hendene, da disse kan feste seg til hånden.
- Trekk ut støpselet før rengjøring eller avising.
- Damp og damprengjøringsmidler skal aldri brukes i rengjørings- og avtiningsprosesser for kjøleskapet. I slike tilfeller kan dampen komme i kontakt med de elektriske delene og forårsake kortslutning eller elektrisk sjokk.
- Bruk aldri delene på kjøleskapet, slik som døren, som støtte eller trinn.
- Ikke bruk elektriske innretninger på innsiden av kjøleskapet.
- Ikke ødelegg delene der kjølevæsken sirkulerer med drill eller kutteverktøy. Kjølevæsken som kan strømme ut når gasskanaler til fordampere, rørforlengelser eller overflatebelegg punkteres, kan forårsake hudirritasjon og øyeskader.
- Ikke dekk til eller blokker ventilasjonsåpningene på kjøleskapet med noe materiale.
- Elektriske enheter må kun repareres av autoriserte personer. Reparasjoner som utføres av person som ikke er kompetente, kan forårsake fare for brukeren.
- I tilfelle feil under vedlikehold eller reparasjonsarbeid, kople fra kjøleskapets strømforsyning ved å slå av tilhørende sikring eller trekke ut støpselet.
- Ikke dra i selve ledningen når du trekker ut støpslet.
- Plasser drikkebeholdere godt lukket og stående.
- Lagre aldri spraybokser som inneholder antennelig og eksplosive stoffer i kjøleskapet.
- Ikke bruk mekanisk utstyr eller andre midler for å akselerere avisingprosessen annet enn slikt utstyr som produsenten anbefaler.

- Dette produktet bør ikke brukes av personer med fysiske, sensoriske eller mentale forstyrrelser, eller personer som ikke er opplært eller ikke har noen erfaring (inkludert barn), med mindre de holdes under oppsyn av noen som er ansvarlige for deres sikkerhet, eller som kan vise dem hvordan produktet skal brukes.

- Ikke bruk et ødelagt kjøleskap. Forhør deg med et serviceverksted hvis du har spørsmål.
- Den elektrisk sikkerheten til kjøleskapet kan kun garanteres hvis jordingen i hjemmet oppfyller standardene.
- Det er farlig å utsette produktet for regn, snø, sol og vind pga. elektrisk sikkerhet.
- Ta kontakt med noen som er autorisert hvis en strømkabel skades, slik at du unngår fare.
- Plugg aldri kjøleskapet inn i vegguttaket under monteringen. Dette kan medføre død eller alvorlig skade.
- Dette kjøleskapet er kun beregnet til oppbevaring av mat. Det skal ikke brukes til noen andre formål.
- Merket med tekniske spesifikasjoner befinner seg på venstre side inne i kjøleskapet.
- Koble aldri kjøleskapet til strømsparesystemer, de kan skade kjøleskapet.
- Hvis det finnes et blått lys på kjøleskapet, ikke se på det blå lyset med optiske verktøy.
- For kjøleskap som styres manuelt vent i minst 5 minutter før du slår på kjøleskapet etter et strømbrytning.
- Denne brukerhåndboken skal overleveres til neste eier av produktet hvis det skifter eier.

- Unngå å skade strømkabelen ved transport av kjøleskapet. Bøying av kabelen kan forårsake brann. Plasser aldri tunge gjenstander på strømlinjen. Ikke berør støpselet med våte hender når du kobler til produktet.



- Ikke koble til kjøleskapet hvis vegguttaket er løst.
- Ikke sprut vann direkte på de ytre eller indre delene av produktet av sikkerhetsmessige grunner.
- Ikke spray stoffer som inneholder antennelige gasser, slik som propangass i nærheten av kjøleskapet for å unngå brann- og eksplosjonsfare.
- Ikke plasser gjenstander som er fyllt med vann oppå kjøleskapet, da det kan føre til elektrisk støt eller brann.
- Ikke overbelast kjøleskapet med for mye mat. Hvis det overlastes, kan maten falle ned og skade deg og kjøleskapet når du åpner døren. Ikke plasser gjenstander oppe på kjøleskapet, da disse kan falle ned når du åpner eller lukker kjøleskapsdøren.
- Produkter som trenger en nøyaktig temperaturkontroll (vaksiner, varmesensitive medisiner, forskningsmaterialer osv.), skal ikke oppbevares i kjøleskapet.
- Hvis det ikke skal brukes på lang tid, skal kjøleskapet kobles fra strømuttaket. Et problem i den elektriske kabelen kan føre til brann.
- Tuppen på den elektriske pluggen skal rengjøres regelmessig, ellers kan det oppstå brann.

- Tuppen på pluggen skal rengjøres regelmessig med en tørr klut, ellers kan det oppstå brann.
- Kjøleskapet kan flytte seg hvis de justerbare beina ikke er riktig sikret på gulvet. Riktig sikring av justerbare bein på gulvet kan forhindre at kjøleskapet flytter seg.
- Når du bærer kjøleskapet, ikke hold det etter dørhåndtaket. Da kan det knekke av.
- Hvis du må plassere produktet ved siden av et annet kjøleskap eller fryser, skal avstanden mellom enheten være minst 8 cm. Ellers kan sideveggene som grenser til hverandre bli fuktige.

### **For produkter med en vandispenser**

Vanntrykket skal være minst 1 bar.

Vanntrykket skal være maks. 8 bar.

- Bruk kun drikkevann.

### **Barnesikring**

- Hvis du har en lås på døren, skal nøkkelen oppbevares utilgjengelig for barn.
- Barn må passes på slik at de ikke tukler med produktet.

### **HCA-advarsel**

#### **Hvis produktets kjølesystem inneholder R600a:**

Denne gassen er brennbar. Derfor vær forsiktig så kjølesystemet og rørene ikke ødelegges under bruk og transport. For å unngå skader skal produktet holdes på avstand fra potensielle brannkilder som kan forårsake at produktet begynner å brenne, sørg også for god ventilasjon i rommet der apparatet er plassert.

### **Ignorer denne advarselen hvis produktets kjølesystem inneholder R134a:**

Typen gass som brukes i produktet er oppgitt på typeskiltet som finnes på venstre side inne i kjøleskapet.

Kast aldri produktet inn i flammer ved avhending.

### **Hva du må gjøre for å spare energi**

- Ikke hold dørene til kjøleskapet åpne over lang tid.
- Ikke putt varm mat eller drikke i kjøleskapet.
- Ikke overlast kjøleskapet slik at luftsirkulasjonen inne i kjøleskapet forhindres.
- Ikke plasser kjøleskapet i direkte sollys eller i nærheten av varmeutstrålende apparater, slik som ovn, oppvaskmaskin eller radiator.
- Sørg for å holde maten i lukkede beholdere.
- For produkter med en fryserdel: Du kan lagre maksimale mengder mat i fryseren hvis du fjerner hyllen eller skuffen i fryseren. Energiforbruksnivået til kjøleskapet er blitt fastslått ved å fjerne fryserhyllen eller skuffen og ved å ha maksimal last. Det er ingen fare ved bruk av hyllene eller skuffen i henhold til form og størrelse på maten som skal fryses.
- Opptining av frossenmat i kjøleskapsdelen vil både være energisparende og bevare matkvaliteten.



### 3 Montering

⚠ Vennligst husk at produsenten ikke skal holdes ansvarlig hvis informasjonen som gis i bruksanvisningen ikke overholdes.

#### Punkter som er viktige ved ytterligere transportering av kjøleskapet

1. Kjøleskapet må være tomt og rengjort før all transport.
2. Hyller, tilbehør, grønnsaksoppbevaringsbokser o.a. i kjøleskapet må være festet trygt ved hjelp av selvklebende tape mot allslags støt før ompakking.
3. Emballasjen må være surret ved hjelp av tykk tape og kraftige tau og de reglene for transport som er påtrykt emballasjen må følges.

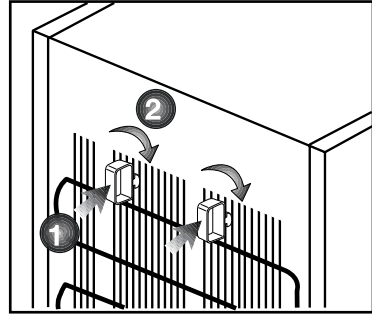
#### Vennligst ikke glem...

All resirkulert materiale er en uunnværlig kilde for naturen og for våre nasjonale ressurser. Hvis du ønsker å bidra med resirkulering av innpakkingsmaterialer, kan du få mer informasjon fra miljøorganisasjoner eller lokale myndigheter.

#### Før du bruker kjøleskapet

Før du begynner å bruke kjøleskapet, må du kontrollere følgende:

1. Er kjøleskapets indre tørt og kan luften sirkulere fritt bak i kjøleskapet?
2. Sett inn de to plastkilene slik det er illustrert på figuren. Plastkiler sørger for en riktig avstand mellom kjøleskap og vegg, slik at det blir en godluftsirkulasjon. (Den illustrerte figuren er kun et eksempel og samsvarer ikke helt med ditt produkt.)



3. Rengjør kjøleskapets indre slik det er anbefalt i "**Vedlikehold og rengjørings**"-seksjonen.
4. Koble kjøleskapet til stikkkontakten i vegg. Når kjøleskapsdøren er åpen, vil kjøleskapsavdelingens innerlys bli slått på.
5. Du vil få høre en bråkende lyd så snart kompressoren starter opp. Væsken og gassene som er forseglet inne i kjølesystemet kan også avgi lyd selv om kompressoren ikke går, noe som for øvrig er helt normalt.
6. Kjøleskapets kanter framme vil kunne føles varme. Dette er normalt. Disse delene av kjøleskapet er laget for å være varme for å unngå kondensering.

#### Elektrisk tilkobling

Tilkoble produktet til et jordet uttak som er beskyttet av en sikring med riktig kapasitet.

Viktig:

- Tilkoblingen skal være i overensstemmelse med nasjonale forskrifter.
- Strømlednings støpsel skal være lett tilgjengelig etter monteringen.

- Oppgitt spenning må være lik spenningen til strømnettet.
  - Skjøtekabler og flerveisplugger skal ikke brukes for tilkobling.
- ⚠ En ødelagt strømledning skal skiftes ut av en kvalifisert elektriker.
- ⚠ Produktet får ikke settes i drift før det er reparert! Det er fare for elektrisk støt!

## **Avfallshåndtering av emballasje**

Innpakningsmaterialer kan være farlige for barn. Oppbevar emballasjematerialet utilgjengelig for barn eller kast det idet du klassifiserer dem i tråd med instruksjonene ang. avfall. Kast det ikke sammen med det alminnelige husholdningsavfallet.

Emballasjen til kjøleskapet er produsert av resirkulerbare materialer.

## **Avfallshåndtering av det gamle kjøleskapet**

Bortskaff det gamle kjøleskapet uten å skade miljøet.

- Du kan rådføre deg med din autoriserte forhandler eller kommunens avfallsinnsamlingsanlegg ang. hvordan du kan kaste kjøleskapet.
- Kutt av støpselet før du kaster kjøleskapet, og hvis det er lås på døren, må du sørge for at den ikke lenger kan brukes, slik at barn beskyttes mot enhver farlig situasjon.

## **Plassering og montering**

⚠ Dersom inngangsdøren til det rommet der kjøleskapet skal plasseres ikke er bredt nok til at kjøleskapet kan komme gjennom, vennligst ring autorisert service for å få dem til å ta av kjøleskapsdørene og ta det sideveis inn gjennom døråpningen.

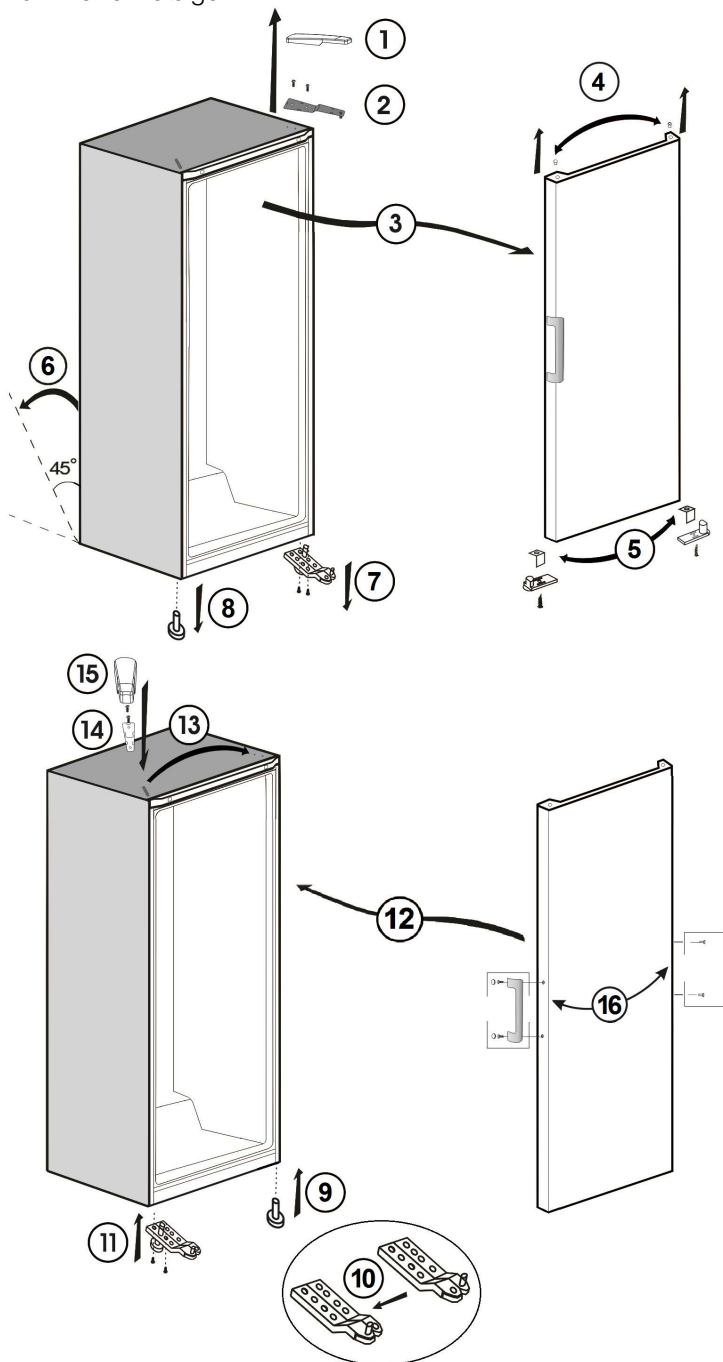
1. Plasser kjøleskapet på et sted det er enkelt å bruke det.
2. Hold kjøleskapet på avstand fra varmekilder, fuktige steder og direkte sollys.
3. Det skal være tilstrekkelig luftventilasjon rundt kjøleskapet for å oppnå en effektiv drift. Hvis kjøleskapet skal plasseres i en innbygging i veggen, må det være minst 5 cm avstand fra taket og 5 cm fra veggen. Hvis gulvet er dekket med et teppe, skal apparatet heves 2,5 cm fra gulvet.
4. Plasser kjøleskapet på et plant gulv for å unngå risting.
5. Ikke oppbevar kjøleskapet i omgivelser med temperaturer under 10°C.

## **Utskifting av lyspæren inne i skapet**

For å skifte lampen for belysning av kjøleskapet, vennligst ring autorisert service. Lampen(e) som brukes i denne enheten er ikke egnet for belysning i hjem. Formålet for denne lampen er å hjelpe brukeren til å plassere matvarer i kjøleskapet/fryseren på en trygg og komfortabel måte. De lampen die in dit apparaat worden gebruikt moeten bestendig zijn tegen extreme fysieke omstandigheden, zoals temperaturen beneden de -20°C.

# Omhengsling av dørene

Gå frem i nummerrekkefølge.



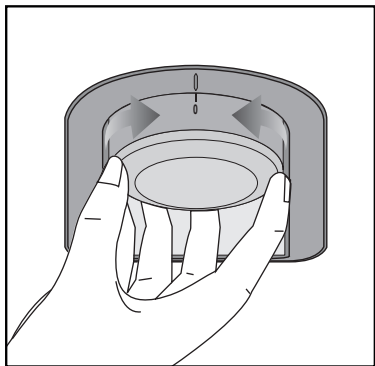
## 4 Forberedelse

---

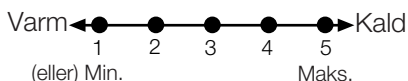
- i** Kjøleskapet skal installeres minst 30 cm på avstand fra varmekilder, slik som f.eks. komfyrer, ovner, sentralvarme og kokeplater, samt minst 5 cm borte fra elektriske ovner og skal ikke plasseres i direkte sollys.
- i** Omgivelsestemperaturen i det rommet der kjøleskapet plasseres skal være minst 10°C. Bruk av kjøleskapet under kaldere forhold enn dette anbefales ikke pga. effektiviteten.
- i** Vennligst se til at de indre delene av kjøleskapet rengjøres grundig.
- i** Hvis to kjøleskap skal installeres ved siden av hverandre, skal det være en avstand på minst 2 cm mellom dem.
- i** Når du bruker kjøleskapet for første gang, vennligst følg instruksene rundt de første seks timene.
  - Døren skal ikke åpnes ofte.
  - Det skal kun brukes tomt uten mat.
  - Ikke trekk ut støpselet for kjøleskapet. Hvis et strømbrudd oppstår som du ikke kan kontrollere, vennligst se advarsler i avsnittet "**Anbefalte løsninger på problemer**".
- i** Originalinnpakningen og skummaterialer skal beholdes for fremtidig transport eller flytting.

## 5 Bruk av kjøleskapet

### Stille driftstemperaturen



Driftstemperaturen justeres med temperaturkontrollen.



**1 = Laveste kjøleinnstilling**  
**(Varmeste innstilling)**

**5 = Høyeste kjøleinnstilling**  
**(Kaldeste innstilling)**

(eller)

**Min. = Laveste kjøleinnstilling**  
**(Varmeste innstilling)**

**Maks. = Høyeste kjøleinnstilling**  
**(Kaldeste innstilling)**

Gjennomsnittstemperaturen inne i kjøleskapet bør ligge på om lag +5°C.

Vennligst velg innstilling etter ønsket temperatur.

Vennligst merk at det vil være ulike temperaturer i kjøleområder.

Det kaldeste området er rett ovenfor grønnsaksområdet.

Interiørtemperaturen avhenger også av omgivelsestemperaturen, hvor ofte døren åpnes og mengde mat som oppbevares på inne i skapet.

Hvis døren åpnes ofte, kan temperaturen inne i kjøleskapet øke.

Av denne grunn anbefales det å lukke døren igjen så snart som mulig etter bruk.

### Bruke de indre oppbevaringsdelene

Flyttbare hyller: Avstanden mellom hyllene kan justeres ved behov.

Grønnsaksskuff: Grønnsaker og frukt kan lagres i denne delen over lengre tid uten å råtne.

Nederste hylle: Flasker, glass og hermetikk kan plasseres i disse hyllene.

### Nedkjøling

#### Oppbevaring av mat

Kjøleskapsdelen brukes for kortvarig oppbevaring av ferske matvarer og drikkevarer.

Lagre melkeprodukter i tiltenkt del i kjøleskapet.

Flasker kan oppbevares i flaskeholderen eller i flaskehyllen i døren.

Rått kjøtt oppbevares best i polyetylenpose i delen helt på bunnen av kjøleskapet.

La varm mat og drikke kjøle seg ned i romtemperatur før de plasseres i kjøleskapet.

- OBS

Lagre konsentrert alkohol kun stående og godt lukket.

- OBS

Lagre aldri eksplosive stoffer eller beholdere med brennbar drivgass (trykkbeholder for krem, sprayflasker og liknende) i kjøleskapet. Det er fare for eksplosjon.

## Tining

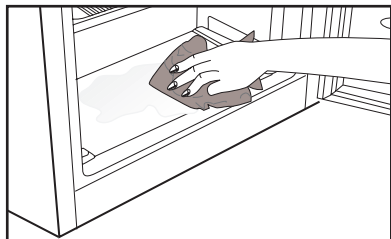
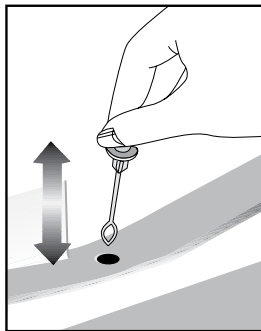
Kjøleskapsdelen ises av automatisk.

Avisingsvannet renner ned avløpsrøret via et samlekar på baksiden av kjøleskapet.

Under avising vil det danne seg vanndråper bakerst i kjøleskapet der det er skjult en evaporator.

Hvis ikke alle dråpene renner ned, kan de fryse igjen etter avising. Fjern dem med en klut med varmtvann, men aldri med en hard eller skarp gjenstand.

Kontroller flyten på smeltevannet av og til. Det hender at det kan tilstoppes.



## Stoppe produktet

Hvis termostaten er utstyrt med en "0"-posisjon:

- Produktet vil stoppe driften når du stiller termostatknappen til "0" (null). Produktet vil ikke starte med mindre du stiller termostatknappen til "1" eller en av de andre posisjonene igjen.

Hvis termostaten er utstyrt med en "min"-posisjon:

- Koble fra produktet for å stoppe det.

## 6 Vedlikehold og rengjøring

---

- ⚠️ Bruk aldri bensin, benzen eller lignende stoffer til rengjøring.
- ⚠️ Vi anbefaler at du trekker ut støpselet på apparatet før rengjøring.
- ⚠️ Bruk aldri noen skarpe redskaper eller rengjøringsmidler med skureeffekt, såpe, rengjøringsmidler for hjemmebruk eller voks til rengjøringen.
- ℹ️ Bruk lunkent vann for å vaske skapet og tørk det tørt.
- ℹ️ Bruk en fuktig klut vridd opp i en oppløsning av en teskje bikarbonatsoda til ca. ½ liter vann for å rengjøre innsiden av skapet og tørk det tørt.
- ⚠️ Pass på at det ikke kommer vann inn i pærehuset eller andre elektriske gjenstander.
- ⚠️ Hvis kjøleskapet ikke skal brukes over en lengre periode, må du trekke ut støpselet, ta ut alle matvarer, rengjøre det og sette døren på klem.
- ℹ️ Kontroller pakningene til dørene jevnlig for å sikre at de er rene og fri for matrester.
- ⚠️ For å demontere dørstativene tar du først ut alt innholdet og så skyver du ganske enkelt dørstativet opp fra bunnen.

### Beskyttelse av plastoverflater

- ℹ️ Ikke putt flytende oljer eller oljekokte måltider i kjøleskapet i uforseglede beholdere, da disse kan ødelegge plastoverflatene i kjøleskapet. Ved søling eller smøring av olje på plastoverflater, rengjør og rens denne delen av overflaten med en gang med varmt vann.

## 7 Anbefalte løsninger på problemer

Gå igjennom følgende liste før du ringer etter service. Det kan spare deg tid og penger. Denne listen inkluderer hyppige klager som ikke oppstår fra defekt utføring eller materialbruk. Noen av funksjonene som beskrives her finnes kanskje ikke i ditt produkt.

### Kjøleskapet virker ikke.

- Er kjøleskapet plugget inn? Sett støpselet inn i strømuttaket.
- Har sikringen til uttaket kjøleskapet er tilknyttet eller hovedsikringen gått? Kontroller sikringen.

### Kondens på sideveggen av kjøleskapet (MULTIZONE, COOL CONTROL og FLEXI ZONE).

- Svært kalde omgivelser. Hyppig åpning eller lukking av døren. Svært fuktige omgivelser. Lagring av mat som inneholder væske i åpne beholdere. Døren står på gløtt. Still termostaten til en kaldere grad.
- Reduser tiden døren står åpen eller bruk mindre hyppig.
- Dekk til mat som lagres i åpne beholdere med egnet materiale.
- Tørk av kondensen med en tørr klut og kontroller om problemet fortsetter.

### Kompressoren går ikke.

- Termovern for kompressoren vil koples ut under plutselig strømbrudd eller utplugging og innplugging hvis kjølevæsketrykket i kjølesystemet til kjøleskapet ikke er balansert. Kjøleskapet vil starte etter ca. 6 minutter. Vennligst ring service hvis kjøleskapet ikke starter etter utløpet av denne tiden.
- Kjøleskapet er i defrostsyklus. Dette er normalt for et helautomatisk avisningskjøleskap. Avisningssyklusen gjennomføres regelmessig.
- Kjøleskapet er ikke tilkoplest strømuttaket. Se til at støpselet passer godt inn i uttaket.
- Er temperaturinnstillingene foretatt riktig?
- Strømtilførselen kan være brutt.



#### Kjøleskapet går hyppig eller over lang tid.

- Det nye produktet kan være bredere enn det gamle. Dette er helt normalt. Store kjøleskap arbeider over lengre tidsperioder.
- Omgivelsestemperaturen kan være høy. Dette er helt normalt.
- Kjøleskapet kan ha vært plagget inn nylig eller blitt lastet med mat. Fullstendig nedkjøling av kjøleskapet kan ta et par timer lenger.
- Store mengder varm mat har blitt lagt inn i kjøleskapet nylig. Varm mat forårsaker lengre drift av kjøleskapet inntil den oppnår sikker oppbevaringstemperatur.
- Dørene kan ha vært åpnet hyppig eller stått på gløtt i lang tid. Varm luft som har kommet inn i kjøleskapet gjør at kjøleskapet kjører over lang tid. Åpne dørene mindre hyppig.
- Fryser- eller kjøleskapsdør kan ha stått på gløtt. Kontroller om dørene er godt lukket.
- Kjøleskapet er justert til svært kald temperatur. Juster kjøleskapets temperatur til høyere grad og vent inntil temperaturen er oppnådd.
- Dørtetningen til kjøleskapet eller fryseren kan være tilsmusset, utslitt, ødelagt eller ikke på plass. Rengjør eller skift ut tetningen. Skadet/ødelagt tetning gjør at kjøleskapet går over lang tid for å opprettholde aktuell temperatur.

#### Frysertemperaturen er svært lav, mens kjøleskapstemperaturen er tilstrekkelig.

- Fryserens temperatur er justert til en svært lav temperatur. Juster fryserens temperatur til en høyere grad og kontroller.

#### Kjøleskapstemperaturen er svært lav, mens frysertemperaturen er tilstrekkelig.

- Kjøleskapets temperatur kan ha blitt justert til svært lav temperatur. Juster kjøleskapets temperatur til en høyere grad og kontroller.

#### Mat som oppbevares i skuffene fryser.

- Kjøleskapets temperatur kan ha blitt justert til svært lav temperatur. Juster kjøleskapets temperatur til en høyere grad og kontroller.

#### Temperaturen i kjøleskapet eller fryseren er svært høy.

- Kjøleskapets temperatur kan ha blitt justert til svært høy temperatur. Kjøleskapsjusteringen har virkning på temperaturen til fryseren. Endre temperaturen i kjøleskapet eller fryseren inntil kjøleskapets eller fryserens temperatur når et tilstrekkelig nivå.
- Dørene kan ha vært åpnet hyppig eller stått på gløtt i lang tid - åpne dem mindre hyppig.
- Døren kan ha blitt stående åpen - lukk døren helt.
- Store mengder varm mat har blitt lagt inn i kjøleskapet nylig. Vent inntil kjøleskap eller fryser når ønsket temperatur.
- Kjøleskapet kan ha vært tilkoplek nylig. Fullstendig nedkjøling av kjøleskapet tar tid.

Driftslyden øker når kjøleskapet går.
<ul style="list-style-type: none"> <li>• Ytelsen til kjøleskapet kan endres etter endringene i omgivelsestemperaturen. Dette er helt normalt og er ingen feil.</li> </ul>
Vibrasjon eller klapping.
<ul style="list-style-type: none"> <li>• Gulvet er ikke jevnt eller er svakt. Kjøleskapet vugger når det flyttes sakte. Se til at gulvet er sterkt nok til å bære kjøleskapet og at det er flatt.</li> <li>• Støyen kan forårsakes av gjenstandene som legges inn i kjøleskapet. Gjenstander oppå kjøleskapet skal fjernes.</li> </ul>
Det kommer lyder fra kjøleskapet som ligner væskesøl eller spraying.
<ul style="list-style-type: none"> <li>• Væske- og gasstrømninger skjer etter virkeprinsippene til kjøleskapet. Dette er helt normalt og er ingen feil.</li> </ul>
Det høres støy som om det blåser vind.
<ul style="list-style-type: none"> <li>• Det brukes vifter for å kjøle ned kjøleskapet. Dette er helt normalt og er ingen feil.</li> </ul>
Kondens på de indre veggene på kjøleskapet.
<ul style="list-style-type: none"> <li>• Varmt og fuktig vær øker ising og kondens. Dette er helt normalt og er ingen feil.</li> <li>• Døren kan ha blitt stående åpen - se til at dørene lukkes helt.</li> <li>• Dørene kan ha vært åpnet hyppig eller stått på gløtt i lang tid - åpne dem mindre hyppig.</li> </ul>
Fuktighet oppstår på utsiden av kjøleskapet eller mellom dørene.
<ul style="list-style-type: none"> <li>• Det kan være fuktighet i luften - dette er helt normalt ved fuktig vær. Når fuktigheten er lavere, vil kondensen forsvinne.</li> </ul>
Dårlig lukt inni kjøleskapet.
<ul style="list-style-type: none"> <li>• Det må rengjøres inni kjøleskapet. Rengjør innsiden av kjøleskapet med en svamp, lunkent vann eller karbonert vann.</li> <li>• Noen beholdere eller innpakkingsmaterialer kan forårsake lukten. Bruk en annen beholder eller annet merke på innpakkingsmaterialet.</li> </ul>
Døren lukkes ikke.
<ul style="list-style-type: none"> <li>• Matpakninger forhindrer lukking av døren. Flytt pakninger som forhindrer lukking av døren.</li> <li>• Kjøleskapet er ikke plassert helt vertikalt på gulvet og kan vugge når det beveges forsiktig. Juster høydeskruene.</li> <li>• Gulvet er ikke jevnt eller sterkt. Se til at gulvet er jevnt og har evne til å bære kjøleskapet.</li> </ul>
Grønnsaksoppbevaringsboksene sitter fast.
<ul style="list-style-type: none"> <li>• Mat kan berøre taket i skuffen. Omplasser maten i skuffen.</li> </ul>

## Lue tämä käyttöopas ensin!

Hyvä asiakas,

toivomme, että nykyaikaisissa tuotantolaitoksissa valmistamamme ja erittäin huolellisella laadunvalvonnalla tarkastettu tuote toimii käytössäsi mahdollisimman tehokkaasti.




Tämän varmistamiseksi toivomme, että luet huolellisesti koko käyttöoppaan ennen jääkaapin käyttöön ottoa, ja säilytät sitä helposti saatavilla tulevaa käyttöä varten.

## Tämä käyttöopas

- Auttaa käyttämään laitetta nopeasti ja turvallisesti.
  - Lue käyttöopas ennen laitteen asennusta ja käyttöä.
  - Noudata ohjeita, erityisesti turvallisuutta koskevia.
  - Säilytä käyttöopas helposti saatavilla olevassa paikassa, sillä voit tarvita sitä myöhemmin.
  - Lue myös muut tuotteen mukana tulleet asiakirjat.
- Huomaa, että tämä käyttöopas voi soveltua myös muihin malleihin.

## Symbolit ja niiden kuvaus

Tässä käyttöoppaassa käytetään seuraavia symboleja:

-  Tärkeitä tietoja tai hyödyllisiä käyttövihjeitä.
-  Varoitus hengelle ja omaisuudelle vaarallisista olosuhteista.
-  Varoitus sähköjännitteestä.



## **VAROITUS!**

Jäähdytyslaitteen, joka käyttää täysin ympäristöystävällistä jäähdytysainetta R600a (syttyy vain tietyissä olosuhteissa), normaalin toiminnan varmistamiseksi on noudatettava seuraavia ohjeita:

- Älä estää ilman vapaata kiertoa laitteen ympärillä.
- Älä käytä mekaanisia tai muita keinoja, joita valmistaja ei suosittele, sulatusprosessin nopeuttamiseen.
- Älä vahingoita jäähdytys virtapiiriä.
- Älä käytä ruokalokeroissa laitteen sisällä sähkölaitteita, paitsi niitä joita valmistaja mahdollisesti on suositellut.

## **Kierrätys**



Tässä tuotteessa on sähköisten ja elektronisten laitteiden jätteiden (WEEE) valikoivan lajittelun symbolimerkintä.

Tämä tarkoittaa, että tätä tuotetta pitää käsitellä Euroopan parlamentin ja neuvoston direktiivin 2002/96/EY:n mukaisesti, jotta sitä voidaan kierrättää ja purkaa minimoiden ympäristövaikutukset. Saat lisätietoja paikallisilta tai alueellisilta viranomaisilta.

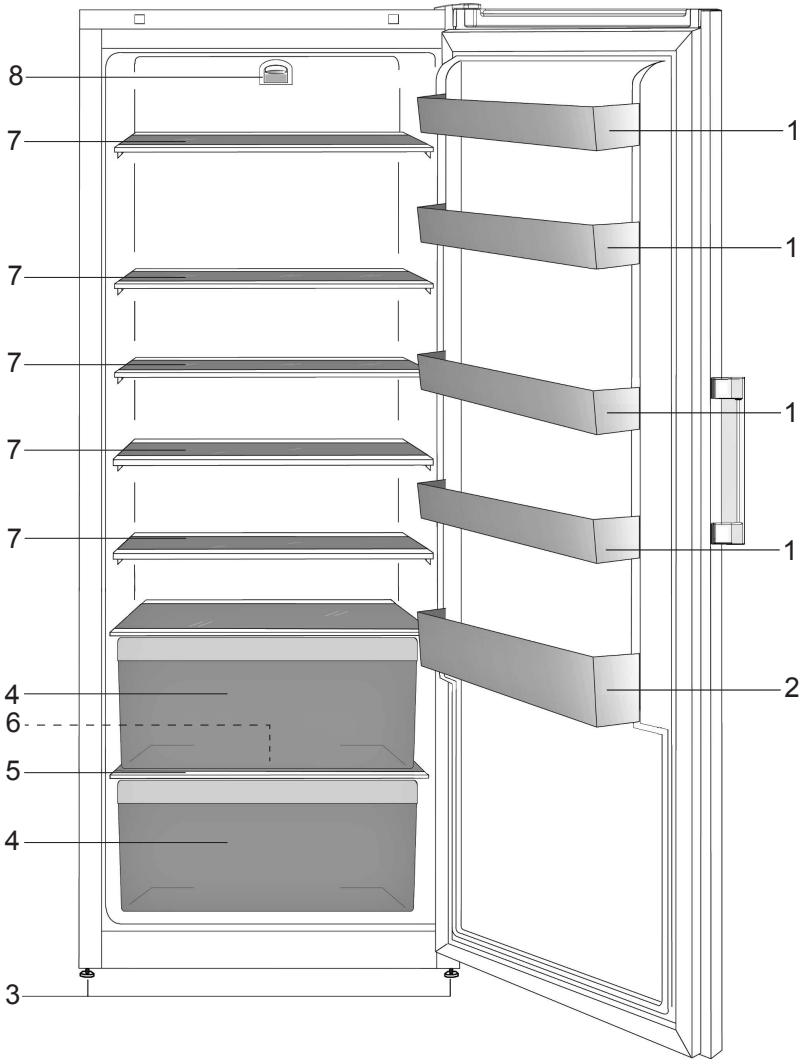
Elektroniset laitteet, jotka eivät ole mukana valikoivassa lajittelussa ovat potentiaalisesti vaarallisia ympäristölle ja ihmisen terveydelle, koska ne sisältävät vaarallisia aineita.

# SISÄLTÖ

---

<b>1 Jääkaappi</b>	<b>3</b>	<b>4 Valmistelu</b>	<b>10</b>
<b>2 Tärkeitä turvallisuusvaroituksia</b>	<b>4</b>	<b>5 Jääkaapin käyttäminen</b>	<b>11</b>
Käyttötarkoitus .....	4	Käyttölämpötilan asettaminen .....	11
Yleinen turvallisuus .....	4	Sisälokeroiden käyttäminen .....	11
Laitteet, joissa on vesiautomaatti .....	6	Jäähdytys .....	11
Lasten turvallisuus .....	6	Sulatus .....	12
HCA-varoitus .....	6	Laitteen pysäyttäminen .....	12
Energian säästötoimet .....	6	<b>6 Ylläpito ja puhdistus</b>	<b>13</b>
<b>3 Asennus</b>	<b>7</b>	Muoviosien suojelu .....	13
Jääkaapin kuljetuksessa huomioitavat asiat .....	7	<b>7 Suositellut ongelmanratkaisut</b>	<b>14</b>
Ennen jääkaapin käyttöä .....	7		
Sähköliitännät .....	7		
Pakkauksen hävittäminen .....	8		
Vanhan jääkaapin hävittäminen .....	8		
Sijoittaminen ja asennus .....	8		
Sisälampun vaihtaminen .....	8		
Ovien uudelleen sijoitus .....	9		

# 1 Jääkaappi



1. Säädettävät ovihyllyt

2. Pullohyllyt

3. Säädettävät etujalat

4. Vihanneslokero

5. Vihanneslokeron kansi

6. Sulatusveden keräyskanava

- kuivatusputki

7. Irrotettavat hyllyt

8. Lamppu ja termostaattikotelo

**!** Tämän ohjekirjan kuvitus on kaavakuviin perustuvaa eikä se ehkä vastaa täysin todellista tuotetta. Jos jokin osa puuttuu ostamastasi tuotteesta, kuvaus koskee muita malleja.

## 2 Tärkeitä turvallisuusvaroituksia

Tutustu seuraaviin ohjeisiin. Näiden ohjeiden noudattamatta jättäminen saattaa aiheuttaa loukkaantumisen tai aineellisia vahinkoja. Muuten kaikki takuu- ja käyttövarmuusvastuut mitätöityvät.

### Käyttötarkoitus

Tämä tuote on suunniteltu:

- sisätiloihin ja suljettuihin tiloihin kuten koteihin,
- suljettuihin työskentely-ympäristöihin, kuten myymälöihin ja toimistoihin,
- suljettuihin majoitustiloihin kuten maataloille, hotelleihin ja pensioaatteihin.
- Tuotetta ei saa käyttää ulkona.

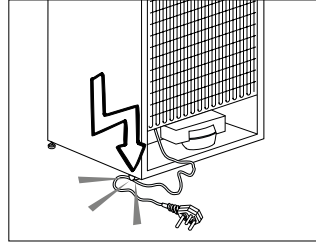
### Yleinen turvallisuus

- Kun haluat hävittää/romuttaa laitteen, suosittelemme ottamaan yhteyttä valtuutettuun huoltoon vaadittavien tietojen ja valtuutettujen tahojen selville saamiseksi.
- Ota yhteys valtuutettuun huoltoon kaikissa jääkaappiin liittyvissä kysymyksissä ja ongelmassa. Älä puutu tai anna kenenkään muun puuttua jääkaapin huoltoon ilmoittamatta valtuutettuun huoltoon.
- Tuotteet joissa on pakastusosasto: Älä laita jäätelöä tai jääkuutioita suuhusi heti otettuasi ne pakastinosastosta! (Se voi aiheuttaa suuhun paleltuman.)
- Tuotteet joissa on pakastusosasto: Älä laita pullotettuja tai tölkitettyjä nesteitä pakastinosastoon. Ne voivat pakastettaessa särkyä.
- Älä kosketa käsin pakastettua ruokaa, se voi tarttua käteesi.
- Irrota jääkaappi verkkovirrasta ennen puhdistamista tai sulattamista.

- Höyryä ja höyrystyviä puhdistusaineita ei saa koskaan käyttää jääkaapin puhdistuksessa ja sulatuksessa. Höyry voi tässä tapauksessa päästä kosketuksiin sähköosien kanssa ja aiheuttaa oikosulun tai sähköiskun.
- Älä koskaan käytä jääkaapin osia, kuten ovea, tukena tai askelmana.
- Älä käytä sähkölaitteita jääkaapin sisällä.
- Älä vahingoita poraamalla tai leikkaamalla osia, joissa jäähdytysaine kiertää. Jäähdytysainetta voi suihkuta ulos, kun haihduttimen kaasukanava, johdon jatke tai pinnoite puhkaistaan, ja se voi aiheuttaa ihon ärsytystä ja silmävahinkoja.
- Älä peitä tai tuki millään materiaalilla jääkaapin tuuletusaukkoja.
- Vain valtuutetut henkilöt saavat korjata sähkölaitteita. Epäpätevän henkilön tekemät korjaukset voivat aiheuttaa vaaran käyttäjälle.
- Vian ilmetessä tai jääkaappia huollettaessa tai korjattaessa sammuta virta joko kääntämällä sulake pois päältä tai irrottamalla virtajohto.
- Älä vedä johdosta irrottaessasi pistokkeen.
- Säilytä väkevät alkoholijuomat tiukasti suljettuna pystyasennossa.
- Älä säilytä jääkaapissa suihkepulloja, jotka sisältävät syttyviä ja räjähtäviä aineita.
- Älä käytä sulatusprosessin nopeuttamiseen mekaanisia tai muita keinoja, joita valmistaja ei suosittele.

- Tätä laitetta ei ole tarkoitettu sellaisten henkilöiden (lapset mukaan lukien) käytettäväksi, joilla on heikentyneet fyysiset, aistimelliset tai henkiset kyvyt tai joilta puuttuu kokemusta ja tietoa, jollei heidän turvallisuudestaan vastaava henkilö valvo heitä ja opasta heitä laitteen käytössä.
- Älä käytä rikkoutunutta jääkaappia. Jos epäilet vikaa, ota yhteys huoltoedustajaan.
- Jääkaapin sähköturvallisuus taataan vain, jos kodin maadoitusjärjestelmä on standardien mukainen.
- Laitteen altistaminen sateelle, lumelle, auringolle ja tuulelle on vaarallista sähköturvallisuuden kannalta.
- Ota yhteys valtuutettuun huoltoon, jos sähköjohto on vahingoittunut, jotta vältetään vaarat.
- Älä koskaan liitä jääkaappia pistorasiaan asennuksen aikana. Se voi aiheuttaa vaaran, joka voi johtaa kuolemaan tai vakavaan vammaan.
- Tämä jääkaappi on tarkoitettu pelkästään elintarvikkeiden säilytykseen. Sitä ei saa käyttää mihinkään muihin tarkoituksiin.
- Tekniset tiedot sisältävä tyyppikilpi sijaitsee jääkaapin sisällä vasemmalla seinällä.
- Älä liitä jääkaappia sähkönsäästöjärjestelmiin. Ne voivat vahingoittaa jääkaappia.
- Jos jääkaapissa palaa sininen valo, älä katso sitä optisilla laitteilla.
- Odota käsin ohjattavan jääkaapin kohdalla vähintään 5 minuuttia ennen jääkaapin käynnistämistä sähkökatkon jälkeen.
- Tämä käyttöopas tulee luovuttaa uudelle omistajalle tuotteen mukana, jos tuote vaihtaa omistajaa.

- Vältä vahingoittamasta virtajohtoa, kun siirrät jääkaappia. Johdon taivuttaminen saattaa aiheuttaa tulipalon. Älä sijoita painavia esineitä sähköjohdon päälle. Älä kosketa pistoketta märin käsin, kun liität tuotteen.



- Älä kytke jääkaappia pistorasiaan, jos sähköliitäntä on löysä.
- Vettä ei saa turvallisuuden vuoksi koskaan suihkuttaa suoraan tuotteen sisä- tai ulko-osiin.
- Älä suihkuta lähellä jääkaappia syttyviä aineita, kuten propanikaasua, sillä se aiheuttaa tulipalo- ja räjähdysvaaran.
- Älä aseta vettä sisältäviä astioita jääkaapin päälle, sillä sellainen voi aiheuttaa sähköiskun tai tulipalon.
- Älä täytä jääkaappia liian suurella elintarvikemäärällä. Jos jääkaappi on ylikuormitettu, se saattaa kaatua ja vahingoittaa sinua, ja rikkoa jääkaapin ovea avattaessa. Älä aseta esineitä jääkaapin päälle, sillä ne saattavat pudota jääkaapin ovea avatessa tai sulkiessa.
- Sellaisia tuotteita, jotka vaativat tarkan lämpötilan säädön (esim. rokotteet, lämpöherkät lääkkeet, tieteellinen materiaali jne.), ei tule säilyttää jääkaapissa.
- Jos jääkaappia ei käytetä pitkään aikaan, se on irrotettava verkkovirrasta. Mahdollinen ongelma sähköjohdossa saattaa aiheuttaa tulipalon.
- Sähköpistokkeen kärki on puhdistettava säännöllisesti. Se voi muuten aiheuttaa tulipalon.

- Sähkötulpan kärki on puhdistettava säännöllisesti kuivalla liinalla. Se voi muuten aiheuttaa tulipalon.
- Jääkaappi saattaa siirtyä, jos säädettäviä jalkoja ei ole kiinnitetty oikein lattiaan. Säädettävien jalkojen kiinnittäminen lattiaan oikein voi estää jääkaappia siirtymästä.
- Kun kannat jääkaappia, älä pidä kiinni sen ovenkahvasta. Se saattaa silloin särkyä.
- Kun laite täytyy sijoittaa toisen jääkaapin tai pakastimen viereen, laitteiden välisen etäisyyden tulee olla vähintään 8 cm. Muuten vastakkaiset seinät saattavat härmistyä.

## Laitteet, joissa on vesiautomaatti

Vesijohdon paineen tulee olla vähintään 1 bar. Vesijohdon paineen tulee olla enintään 8 bar.

- Käytä vain juomavettä.

## Lasten turvallisuus

- Jos ovesa on lukko, avain tulee pitää lasten ulottumattomissa.
- Lapsia tulee valvoa, jotta he eivät pääse leikkimään laitteella.

## HCA-varoitus

### Jos laite on varustettu jäähdytysjärjestelmällä, joka sisältää R600a-kylmäainetta:

Tämä kaasu on syttyvää. Varo siksi vahingoittamasta jäähdytysjärjestelmää ja putkistoa käytön ja kuljetuksen aikana. Pidä laite erossa mahdollisista tulenlähteistä, jotka saattavat sytyttää sen tuleen. Tuuleta huone, johon laite on sijoitettu.

### Ohita tämä varoitus, jos laitteen kylmäjärjestelmä sisältää R134a-kylmäainetta.

Laitteessa käytetyn kaasun tyyppi on ilmoitettu jääkaapin sisäpuolella vasemmalla seinällä olevassa tyyppikilvessä. Älä hävitä laitetta polttamalla.

## Energian säästötoimet

- Älä jätä jääkaapin ovea auki pitkäksi aikaa.
- Älä laita lämpimiä ruokia tai juomia jääkaappiin.
- Älä ylikuormita jääkaappia niin, että ilman kierto kaapin sisällä estyy.
- Älä asenna jääkaappia suoraan auringonpaisteeseen tai lähelle lämmönlähteitä, kuten uunit, astianpesukoneet tai lämpöpatterit.
- Pidä huoli, että säilytät elintarvikkeita suljetuissa astioissa.
- Tuotteet joissa on pakastusosasto: voit säilyttää pakastimessa mahdollisimman paljon elintarvikkeita, kun irrotat pakastimen hyllyn tai lokeron. Jääkaapissa ilmoitetut energiankulutusarvot on määritetty maksimitäytöllä irrottamalla jääkaapin hylly tai lokero. Vaaraa ei ole käytettäessä hyllyä tai vetolaatikkoa pakastettavien elintarvikkeiden mukaan.
- Pakastetun ruoan sulattaminen jääkaappiosastossa säästää sekä energiaa että säilyttää ruoan laadun.



### 3 Asennus

⚠ Muista, että valmistaja ei ole vastuussa, jos käyttöoppaassa annettuja tietoja ei noudateta.

#### Jääkaapin kuljetuksessa huomioitavat asiat

1. Jääkaappi on aina tyhjennettävä ja puhdistettava ennen kuljetusta.
2. Jääkaapin hyllyt, lisävarusteet, vihanneslokerot jne., on kiinnitettävä paikoilleen kunnolla teipillä niiden suojaamiseksi tärinältä ennen uudelleenpakkausta.
3. Pakkaus on sidottava vahvoilla teipeillä ja naruilla ja pakkaukseen painettuja kuljetusohjeita on noudatettava.

#### Älä unohda...

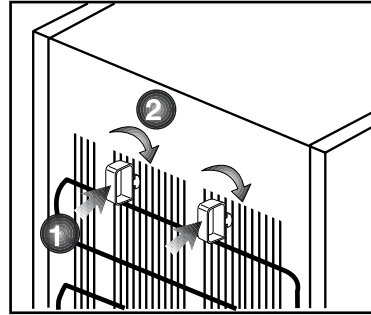
Kaikki kierrätetyt materiaalit ovat korvaamaton lähde luonnolle ja kansallisille resursseille.

Jos haluat osallistua pakkausmateriaalien kierrätykseen, saat lisätietoja ympäristöosastoilta tai paikallisilta viranomaisilta.

#### Ennen jääkaapin käyttöä

Tarkista seuraava ennen kuin alat käyttää jääkaappia:

1. Ovatko jääkaapin sisäpinnat kuivia ja kiertääkö ilma vapaasti jääkaapin takana?
2. Voit asentaa 2 muovikiilaa kuvassa esitetyllä tavalla. Muovikiilat varmistavat vaadittavan etäisyyden jääkaapin ja seinän välillä ilman kierron takaamiseksi. (Kuva on vain esimerkki eikä vastaa tuotetta täsmällisesti.)



3. Puhdista jääkaapin sisäpinnat, kuten on suositeltu osassa "**Ylläpito ja puhdistus**".
4. Liitä jääkaapin virtajohto pistorasiaan. Kun jääkaapin ovi avataan, jääkaapin sisätilan valo syttyy.
5. Kuulet ääntä, kun kompressori käynnistyy. Jäähdytysjärjestelmään suljetut nesteet ja kaasut voivat myös aiheuttaa jonkin verran ääntä silloinkin, kun kompressori ei ole käynnissä. Se on aivan normaalia.
6. Jääkaapin etureunat voivat tuntua lämpimiltä. Tämä on normaalia. Näiden alueiden on suunniteltu olevan lämpimiä kondensaation estämiseksi

#### Sähköliitännät

Liitä jääkaappi maadoitettuun pistorasiaan, joka on suojattu riittävän tehokkaalla sulakkeella.

Tärkeää:

- Liitännän on oltava kansallisten säädösten mukainen.
- Virtakaapelin pistokkeen on oltava helposti saatavilla asennuksen jälkeen.
- Määritetyn jännitteen on oltava sama kuin sähköverkolla.
- Liitäntään ei saa käyttää jatkokaapeleita tai haaroitusrasioita.

⚠ Vahingoittunut virtakaapeli on jätettävä pätevän sähkötekniikon vaihdettavaksi.

⚠ Tuotetta ei saa käyttää ennen kuin se on korjattu! Se aiheuttaa sähköiskun vaaran!

## Pakkauksen hävittäminen

Pakkausmateriaali voi olla lapsille vaarallista. Pidä pakkausmateriaali lasten ulottumattomissa tai hävitä ne lajittelemalla jätteidenhävitysohjeiden mukaisesti. Älä hävitä pakkausmateriaalia kotitalousjätteen mukana.

Jääkaapin pakkaus on valmistettu kierrätettävistä materiaaleista.

## Vanhan jääkaapin hävittäminen

Hävitä vanha jääkaappi aiheuttamatta vahinkoa ympäristölle.

- Voit ottaa yhteyden valtuutettuun jälleenmyyjään tai kunnalliseen jätehuoltokeskukseen saadaksesi ohjeet jääkaapin hävittämisestä.
- Ennen kuin hävität jääkaapin, leikkaa virtapistoke irti, ja jos ovesta on lukitus, tee siitä toimintakyvytön, jottei siitä koidu vaaraa lapsille.

## Sijoittaminen ja asennus

⚠ Jos oviaukko jääkaapin asennushuoneeseen ei ole tarpeeksi leveä, soita valtuutettuun huoltoon ja pyydä heitä irrottamaan jääkaapin ovet, jolloin se saattaa mahtua ovesta sivuttain.

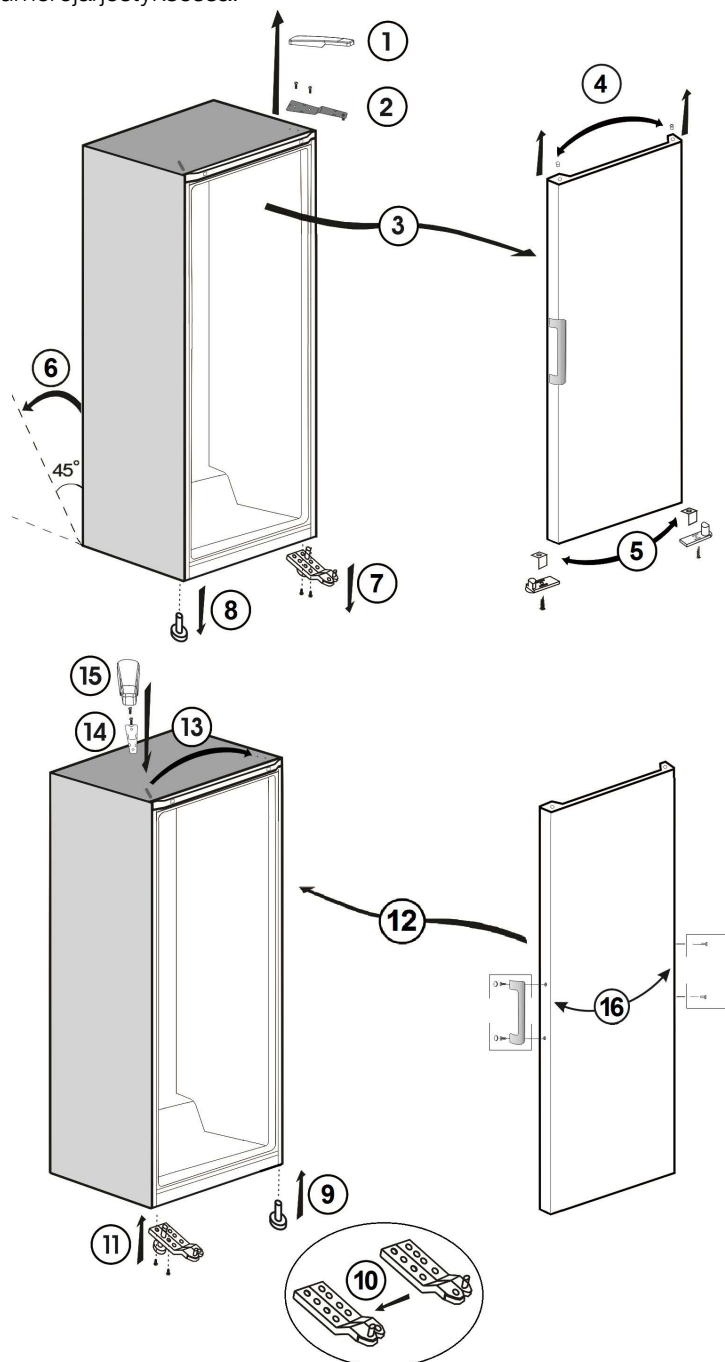
1. Asenna jääkaappi paikkaan, jossa sitä on helppo käyttää.
2. Pidä jääkaappi etäällä lämmönlähteistä, kosteista paikoista ja suoralta auringonpaisteelta.
3. Jääkaapin ympärillä on oltavaa tilaa kunnolliselle tuuletukselle, jotta se toimisi tehokkaasti. Jos jääkaappi asetetaan seinän syvennykseen, väliä kattoon ja seiniin on jäätävä vähintään 5 cm. Jos lattia on päällystetty matolla, jääkaapin on oltava koholla lattiasta vähintään 2,5 cm.
4. Aseta jääkaappi tasaisella lattiapinnalle tärinän ehkäisemiseksi.
5. Älä säilytä jääkaappia tilassa, jonka lämpötila on alle 10°C.

## Sisälampun vaihtaminen

Ota yhteyttä valtuutettuun huoltoon, kun jääkaapin lamppu on vaihdettava. Tämän kodinkoneen valaisin/valaisimet eivät sovellu huoneen valaisemiseen. Valaisimen tarkoitus on auttaa käyttäjää sijoittamaan elintarvikkeet jääkaappiin/pakastimeen on turvallisella ja mukavalla tavalla. Tässä laitteessa käytettävien lamppujen tulee kestää äärimmäisiä olosuhteita kuten alle -20°C lämpötiloja.

# Ovien uudelleen sijoitus

Etene numerojärjestyksessä.



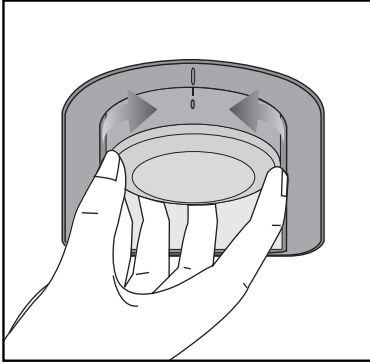
## 4 Valmistelu

---

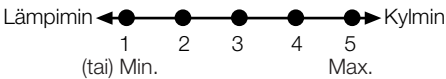
- i** Jääkaappi on asennettava vähintään 30 cm:n etäisyydelle lämmönlähteistä, kuten keittotaso, liesi, keskuslämmitin ja uuni sekä vähintään 5 cm:n etäisyydelle sähköliedestä, eikä sitä saa sijoittaa suoraan auringonpaisteeseen.
- i** Jääkaapin sijoitushuoneen lämpötilan on oltava vähintään 10°C. Jääkaapin käyttöä kylmemmissä olosuhteissa ei suositella, sillä sen tehokkuus kärsii.
- i** Varmista, että jääkaapin sisäpinta on puhdistettu huolellisesti.
- i** Jos kaksi jääkaappia asennetaan rinnakkain, niiden väliin on jätettävä tilaa vähintään 2 cm.
- i** Kun käytät jääkaappia ensimmäistä kertaa, huomioi seuraavat ohjeet ensimmäisten kuuden tunnin aikana.
  - Ovea ei saa avata jatkuvasti.
  - Laitetta on käytettävä tyhjänä ilman elintarvikkeita.
  - Älä irrota jääkaappia verkkovirrasta. Jos ilmenee itsestäsi riippumaton virtakatkos, katso varoitukset osassa "**Suosittelut ongelmanratkaisut**".
- i** Alkuperäiset pakkaus- ja vaahtomuovimateriaalit kannattaa säilyttää tulevaa kuljetusta tai siirtoa varten.

## 5 Jääkaapin käyttäminen

### Käyttölämpötilan asettaminen



Käyttölämpötilaa säädetään lämpötilasäätimellä.



**1 = Pienin jäähdytysasetus (Lämpimin asetus)**

**5 = Suurin jäähdytysasetus (Kylmin asetus)**

(tai)

**Min. = Pienin jäähdytysasetus (Lämpimin asetus)**

**Max. = Suurin jäähdytysasetus (Kylmin asetus)**

Jääkaapin keskilämpötilan tulee olla noin +5°C.

Aseta asetus halutun lämpötilan mukaan.

Huomaa, että jäähdytysalueella on eri lämpötiloja.

Kylmin alue on välittömästi vihanneslokero yläpuolella.

Sisälämpötila riippuu myös ympäröivästä lämpötilasta, oven avaamistiheydestä ja laitteessa olevien ruokien määrästä.

Oven jatkuva avaaminen aiheuttaa sisälämpötilan nousun.

Tästä syystä suositellaan, että ovi suljetaan välittömästi käytön jälkeen.

### Sisälokeroiden käyttäminen

Irrotettavat hyllyt: Hyllyjen välistä etäisyyttä voidaan tarvittaessa säätää.

Vihanneslokeri: Kasviksia ja hedelmiä voidaan säilyttää tässä lokerossa pidempiä aikoja niiden pilaantumatta.

Pullohylly: Pullot, tölkit ja purkit voidaan sijoittaa näille hyllyille.

### Jäähdytys

#### Ruokien säilytys

Jääkaappiosasto on tarkoitettu tuoreiden ruokien ja juomien lyhytaikaiseen säilytykseen.

Säilytä maitotuotteet niille tarkoitettussa osassa jääkaappia.

Pullot voidaan säilyttää pullonpidikkeissä tai oven pullohyllyllä.

Raaka liha säilyy parhaiten muovikätreessä aivan jääkaapin alaosassa.

Anna kuumien ruokien ja juomien jäähtyä huonelämpötilassa, ennen kuin laitat ne jääkaappiin.

- Huomio

Säilytä alkoholijuomia ainoastaan pystyasennossa ja tiukasti suljettuna.

- Huomio

Älä koskaan säilytä laitteessa tuotteita, jotka sisältävät syttyviä ponnekaasuja (spraypurkit, kermasprayt jne.). Ne aiheuttavat räjähdysvaaran.

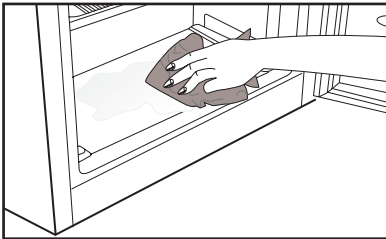
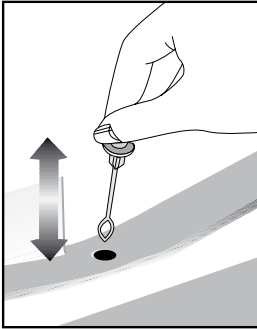
## Sulatus

Jääkaappiosasto sulattaa itsensä automaattisesti. Sulatusvesi poistuu poistoputkea pitkin laitteen takana olevaan keräysastiaan.

Haihduttimen vuoksi jääkaapin takaosaan voi kertyä vesipisaroita sulatuksen aikana.

Jos kaikki vesi ei valu keräysastiaan, se saattaa jäätyä. Pyyhi vesipisarat sulatuksen jälkeen lämpimään veteen kastetulla liinalla, ei kovalla tai terävällä esineellä.

Tarkasta sulatusveden kulku ajoittain. Se saattaa joskus tukkeutua.



## Laitteen pysäyttäminen

Jos termostaatti on varustettu 0-asennolla:

- Laite lopettaa toiminnan, kun käännät termostaattipainikkeen 0 (nolla) -asentoon. Laite ei käynnisty, jolle käännä termostaattipainikettä 1-asentoon tai johonkin muuhun asentoon.

Jos termostaatti on varustettu min-asennolla:

- Pysäytä laite irrottamalla pistoke.

## 6 Ylläpito ja puhdistus

- ⚠ Älä koskaan käytä puhdistamiseen bensiiniä, bentseeniä tai vastaavia aineita.
- ⚠ Suosittelemme, että irrotat laitteen verkkovirrasta ennen puhdistusta.
- ⚠ Älä koskaan käytä puhdistamiseen teräviä, hankaavia välineitä, saippuaa, puhdistusainetta, pesuainetta ja vahaa.
- ℹ Käytä jääkaapin sisätilojen puhdistukseen haaleaa vettä ja pyyhi kuivaksi.
- ℹ Käytä sisätilojen puhdistukseen liinaa, joka on kostutettu 1 tl ruokasoodaa ja 1/2 litraa vettä sisältävässä liuoksessa ja puristettu kuivaksi, kuivaa lopuksi.
- ⚠ Varmista, ettei vettä pääse lamppukoteloon ja muihin sähköosiin.
- ⚠ Jos jääkaappia ei käytetä pitkään aikaan, irrota virtajohto pistorasiasta, poista kaikki ruoat, puhdista jääkaappi ja jätä ovi raolleen.
- ℹ Tarkista oven eristeet säännöllisesti varmistaaksesi, että ne ovat puhtaita ja vapaita ruoantähteistä.
- ⚠ Ovitelineiden irrottamiseksi poista niistä kaikki sisältö ja työnnä sitten ovitelinettä pohjasta ylöspäin.

## Muoviosien suojele

- ℹ Älä laita nestemäistä öljyä tai öljyssä keitettyjä elintarvikkeita jääkaappiin avoimissa astioissa, sillä ne vahingoittavat jääkaapin muovipintoja. Jos öljyä vuotaa tai tarttuu muovipinnoille, puhdista ja huuhtele kohta heti lämpimällä vedellä.

## 7 Suositellut ongelmanratkaisut

Tarkista tämä luettelo, ennen kuin soitat huoltoon. Se voi säästää aikaa ja rahaa. Tämä luettelo sisältää useita valituksia, jotka eivät johdu virheellisestä työstä tai käytetystä materiaalista. Joitain tässä kuvatuista ominaisuuksista ei ehkä ole laitteessasi.

### Jääkaappi ei toimi.

- Onko jääkaapin virtajohto kunnolla kiinni pistorasiassa? Aseta pistoke seinäpistorasiaan.
- Onko jääkaapin pistorasian sulake tai pääsulake palanut? Tarkista sulake.

### Kondensaatiota jääkaappiosaston sivuseinässä (MONIALUE, JÄÄHDYTYKSEN OHJAUS ja JOUSTAVA ALUE).

- Hyvin kylmä ympäristö. Oven jatkuva avaaminen ja sulkeminen. Hyvin kostea ympäristö. Nestepitoisten ruokien säilytys avoimessa astiassa. Oven jättäminen raolleen. Termostaatin kytkeminen kylmemmälle.
- Oven avoinna oloajan lyhentäminen tai käyttämällä sitä harvemmin.
- Avoimissa astioissa säilytettyjen ruokien peittäminen sopivalla materiaalilla.
- Pyyhi kondensoitunut vesi kuivalla liinalla ja tarkista tuleeko sitä lisää.

### Kompressor ei käy.

- Kompressorin lämpövastus työntyy ulos äkillisen virtakatkoksen sattuessa tai kun virta sammuu ja syttyy uudelleen, kun jääkaapin jäähdytysjärjestelmän jäähdytysaineenpaine ei ole vielä tasapainossa. Jääkaappi käynnistyy noin 6 minuutin kuluttua. Soita huoltoon, jos jääkaappi ei käynnisty tässä ajassa.
- Jääkaapin sulatusjakso on käynnissä. Tämä on normaalia täysautomaattisesti itsesulattavassa jääkaapissa. Sulatuskierto tapahtuu tietyin väliajoin.
- Jääkaappia ei ole kytketty pistorasiaan. Varmista, että pistoke on asetettu kunnolla pistorasiaan.
- Onko lämpötila-asetukset tehty oikein?
- Kyse voi olla virtakatkoksesta.



### Jääkaappi käy alituisen tai pitkän ajan.

- Uusi tuotteesi voi olla leveämpi kuin edellinen. Tämä on aivan normaalia. Suuret jääkaapit käyvät kauemmin.
- Huonelämpötila voi olla liian korkea. Tämä on aivan normaalia.
- Jääkaappi on voitu kytkeä päälle äskettäin tai siihen on säilöty äskettäin ruokaa. Jääkaapin jäähtyminen oikeaan lämpötilaan voi kestää muutamia tunteja kauemmin.
- Suuri määrä ruokaa on voitu säilöä jääkaappiin äskettäin. Lämmin ruoka aiheuttaa jääkaapin käymisen pitempään, kunnes se saavuttaa turvallisen säilytyslämpötilan.
- Ovet on voitu avata äskettäin tai jätetty raolleen pitkäksi aikaa. Jääkaappiin päässyt lämmin ilma aiheuttaa jääkaapin käymisen pitemmän aikaa. Avaa ovia harvemmin.
- Pakastin- tai jääkaappiosaston ovi on voitu jättää raolleen. Tarkista onko ovet suljettu tiukasti.
- Jääkaappi on säädetty hyvin alhaiselle lämpötilalle. Säädä jääkaapin lämpötila lämpimämmäksi ja odota, kunnes haluttu lämpötila on saavutettu.
- Jääkaapin tai pakastimen oven tiiviste voi olla likainen, kulunut, rikkoutunut tai huonosti paikallaan. Puhdista tai vaihda tiiviste. Vahingoittunut, rikkoutunut tiiviste aiheuttaa jääkaapin käymisen pitempiä aikoja nykyisen lämpötilan ylläpitämiseksi.

### Pakastimen lämpötila on hyvin alhainen, kun jääkaapin lämpötila on sopiva.

- Pakastin on säädetty hyvin alhaiselle lämpötilalle. Säädä pakastimen lämpötila lämpimämmäksi ja tarkista.

### Jääkaapin lämpötila on hyvin alhainen, kun pakastimen lämpötila on sopiva.

- Jääkaappi on voitu säätää hyvin alhaiselle lämpötilalle. Säädä jääkaapin lämpötila lämpimämmäksi ja tarkista.

### Jääkaappiosaston vetolaatikoissa säilytetty ruoka jäätyy.

- Jääkaappi on voitu säätää hyvin alhaiselle lämpötilalle. Säädä jääkaapin lämpötila lämpimämmäksi ja tarkista.

### Jääkaapin tai pakastimen lämpötila on hyvin korkea.

- Jääkaapin lämpötila on voitu säätää hyvin korkealle lämpötilalle. Jääkaapin säädöt vaikuttavat pakastimen lämpötilaan. Muuta jääkaapin tai pakastimen lämpötilaa, kunnes jääkaappi tai pakastin saavuttaa riittävän tason.
- Ovet on voitu avata äskettäin tai jätetty raolleen pitkäksi aikaa. Avaa niitä harvemmin.
- Ovi on voitu jättää raolleen. Sulje ovi kokonaan.
- Suuri määrä lämmintä ruokaa on voitu säilöä jääkaappiin äskettäin. Odota, kunnes jääkaappi tai pakastin saavuttaa halutun lämpötilan.
- Jääkaapin virtajohto on voitu liittää pistorasiaan äskettäin. Jääkaapin kokonaan jäähtyminen kestää oman aikansa.

Käyntiääni voimistuu, kun jääkaappi käy.
<ul style="list-style-type: none"> <li>Jääkaapin käyttöteho saattaa muuttua ympäristön lämpötilan muutosten mukaan. Se on normaalia eikä ole vika.</li> </ul>
Tärinä tai käyntiääni.
<ul style="list-style-type: none"> <li>Lattia ei ole tasainen tai se on heikko. Jääkaappi huojuu, kun sitä siirretään hitaasti. Varmista, että lattia kestää jääkaapin painon ja että se on tasainen.</li> <li>Melu saattaa johtua jääkaappiin laitetuista kohteista. Jääkaapin päällä olevat esineet on poistettava.</li> </ul>
Jääkaapista kuuluu nesteen vuotamisen tai suihkuamisen kaltaisia ääniä.
<ul style="list-style-type: none"> <li>Neste- ja kaasuvuotoja ilmenee jääkaapin käyttöperiaatteiden mukaisesti. Se on normaalia eikä ole vika.</li> </ul>
Kuuluu tuulen huminan kaltaista ääntä.
<ul style="list-style-type: none"> <li>Jääkaapin jäähdyttämiseen käytetään tuulettimia. Se on normaalia eikä ole vika.</li> </ul>
Kondensaatio jääkaapin sisäseinissä.
<ul style="list-style-type: none"> <li>Kuuma ja kostea sää lisää jäätymistä ja kondensaatiota. Se on normaalia eikä ole vika.</li> <li>Ovet on voitu jättää raolleen. Varmista, että ovet on suljettu kokonaan.</li> <li>Ovet on voitu avata äskettäin tai jätetty raolleen pitkäksi aikaa. Avaa niitä harvemmin.</li> </ul>
Kosteutta esiintyy jääkaapin ulkopinnoilla tai ovien välissä.
<ul style="list-style-type: none"> <li>Ilma saattaa olla kosteaa. Tämä on normaalia kostealla säällä. Kun kosteutta on vähemmän, kondensaatio häviää.</li> </ul>
Paha haju jääkaapin sisällä.
<ul style="list-style-type: none"> <li>Jääkaapin sisäpuoli on puhdistettava. Puhdista jääkaapin sisäpuoli sienellä, haalealla vedellä tai hiilihapollisella vedellä.</li> <li>Jotkut astiat tai pakkausmateriaalit voivat olla hajun aiheuttajia. Käytä erilaista säilytysastiaa tai erimerkkistä pakkausmateriaalia.</li> </ul>
Ovi ei sulkeudu.
<ul style="list-style-type: none"> <li>Elintarvikepakkaukset voivat estää oven sulkeutumisen. Poista pakkaukset, jotka ovat oven esteenä.</li> <li>Jääkaappi ei ole täysin suorassa lattialla ja se keinuu vähän liikuttaessa. Säädä nostoruuveja.</li> <li>Lattia ei ole tasainen tai kestävä. Varmista, että lattia on tasainen, ja että se kestää jääkaapin painon.</li> </ul>
Lokerot ovat juuttuneet.
<ul style="list-style-type: none"> <li>Elintarvikkeet voivat olla kosketuksissa lokeron katon kanssa. Järjestä ruoat uudelleen vetolaatikossa.</li> </ul>

## Lea este manual antes de utilizar el frigorífico.

Estimado cliente:

Esperamos que este aparato, que ha sido fabricado en plantas dotadas de la más avanzada tecnología y sometido a los más estrictos procedimientos de control de calidad, le preste un servicio eficaz.




Para ello, le recomendamos que lea atentamente el presente manual antes de utilizar el aparato, y que lo tenga a mano para futuras consultas.

### Este manual

- Le ayudará a usar el electrodoméstico de manera rápida y segura.
  - Lea el manual antes de instalar y poner en funcionamiento el aparato.
  - Siga las instrucciones, en particular las relacionadas con la seguridad.
  - Conserve el manual en un sitio de fácil acceso, ya que podría necesitarlo en el futuro.
  - Lea también los demás documentos suministrados junto con el aparato.
- Tenga en cuenta que este manual también podría ser válido para otros modelos.

### Símbolos y sus descripciones

El presente manual de instrucciones emplea los siguientes símbolos:

-  Información importante o consejos útiles sobre el funcionamiento.
-  Advertencia sobre situaciones peligrosas para la vida y la propiedad.
-  Advertencia acerca de la tensión eléctrica.



### **ADVERTENCIA!**

Para asegurarse del funcionamiento normal de vuestro refrigerador, conteniendo el refrigerante R600a que contribuye a la protección del ámbito (inflamable sólo en ciertas condiciones), le conviene a respetar las reglas siguientes:

- No impide la circulación del aire alrededor del aparato.
- No utilice utensilios mecánicos o otros dispositivos para acelerar el proceso de descongelación otros de los recomendados por el fabricante.
- No cause daño al circuito refrigerante.
- No utilice aparatos eléctricos en el interior de los compartimentos de la conservación de los alimentos, si estos no están conformes con el tipo de aparato recomendado por el fabricante.

### El Recycling



Este producto incorpora el símbolo de recogida selectiva de residuos de equipos eléctricos y electrónicos. Ello significa que este producto debe ser manipulado teniendo en cuenta la Directiva Europea 2002/96/EC, en orden de ser reciclado o recuperado para minimizar su impacto en el medio ambiente. Para más información rogamos contacte con las autoridades locales o regionales más próximas a su domicilio.

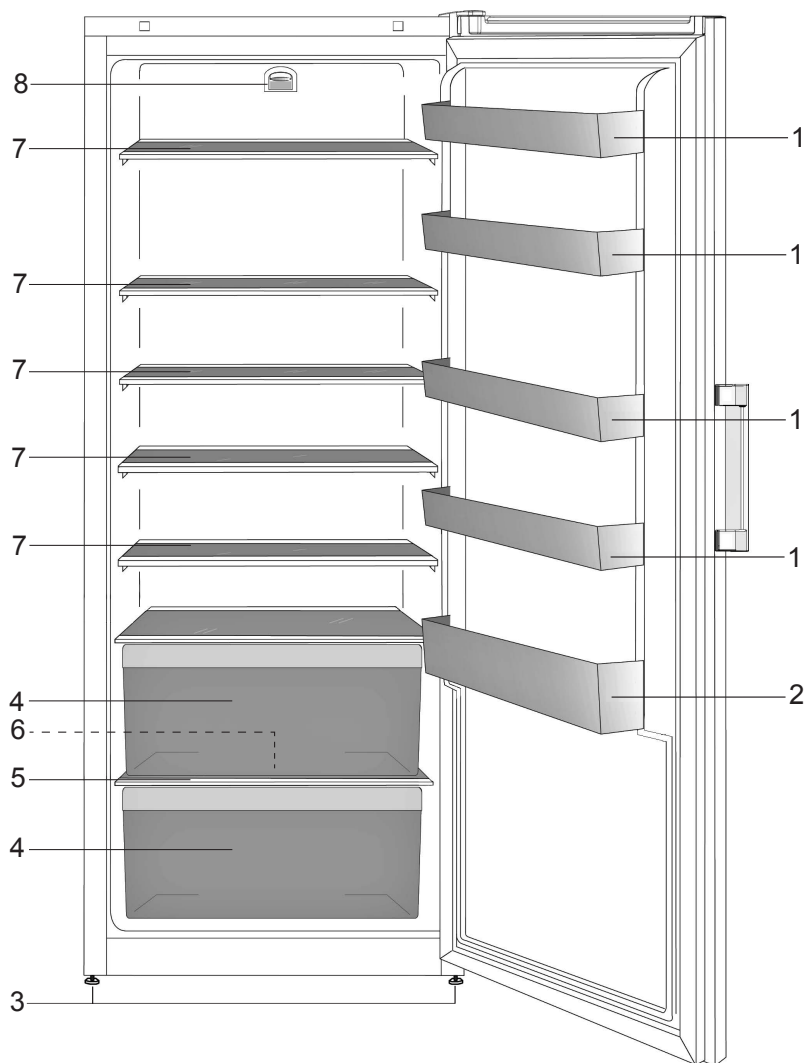
Los productos electrónicos no incluidos en el proceso de recogida selectiva son potencialmente peligrosos para el medio ambiente y la salud humana debido a la presencia de ciertas sustancias.

## ÍNDICE

---

<b>1 Su frigorífico</b>	<b>3</b>	<b>4 Preparación</b>	<b>10</b>
<b>2 Avisos importantes sobre la seguridad</b>	<b>4</b>	<b>5 Uso del frigorífico</b>	<b>11</b>
Finalidad prevista.....	4	Ajuste de la temperatura de funcionamiento.....	11
Seguridad general.....	4	Uso de los compartimentos interiores.....	11
Productos equipados con dispensador de agua:.....	6	Refrigeración.....	11
Seguridad infantil.....	6	Deshielo.....	12
Advertencia sobre la seguridad de la salud.....	6	Parada del aparato.....	12
Consejos para el ahorro de energía...6		<b>6 Mantenimiento y limpieza</b>	<b>13</b>
<b>3 Instalación</b>	<b>7</b>	Protección de las superficies de plástico.....	13
Cuestiones a considerar a la hora de transportar el frigorífico.....	7	<b>7 Sugerencias para la solución de problemas</b>	<b>14</b>
Antes de usar el frigorífico.....	7		
Conexiones eléctricas.....	7		
Eliminación del embalaje.....	8		
Eliminación de su viejo frigorífico.....	8		
Colocación e instalación.....	8		
Sustitución de la bombilla interior.....	8		
Inversión de las puertas.....	9		

# 1 Su frigorífico



1. Estantes de la puerta ajustables
2. Estante para botellas
3. Pie ajustable
4. Cajón de frutas y verduras
5. Tapa del cajón de frutas y verduras

6. Canal de recogida del agua de deshielo - conducto de drenaje
7. Estantes móviles
8. Bombilla y termostato

**i** Las ilustraciones incluidas en el presente manual de instrucciones son esquemáticas y puede que no se adecúen a su aparato con exactitud. Si alguno de los elementos reflejados no se corresponde con el aparato que usted ha adquirido, entonces será válido para otros modelos.

## 2 Avisos importantes sobre la seguridad

---

Lea con atención la siguiente información. No tener en cuenta dicha información podría acarrear lesiones daños materiales. En tal caso, las garantías y los compromisos de fiabilidad quedarían anulados.

Se proporcionarán piezas de recambio originales durante 10 años, después de la fecha de compra del producto.

### Finalidad prevista

Este aparato está diseñado para usarse en los siguientes entornos:

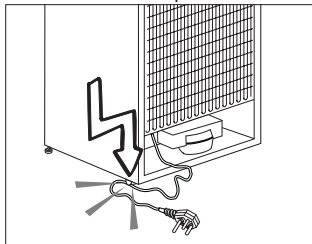
- interiores y entornos cerrados tales como domicilios particulares;
- Este aparato no se debe usar al aire libre.

### Seguridad general

- Cuando desee deshacerse del aparato, le recomendamos que solicite a su servicio técnico autorizado la información necesaria a este respecto, así como la relación de entidades locales a las que puede dirigirse.
- En caso de dudas o problemas, diríjase a su servicio técnico autorizado. No intente reparar el frigorífico sin consultar con el servicio técnico, ni deje que nadie lo haga.
- Para aparatos equipados con un compartimento congelador: no consuma los helados o cubitos de hielo inmediatamente después de sacarlos del compartimento congelador, ya que podría sufrir daños en su boca a causa del frío.
- Para aparatos equipados con un compartimento congelador: no deposite bebidas embotelladas o enlatadas en el compartimento congelador, ya que podrían estallar.
- No toque con la mano los alimentos congelados, ya que podrían adherirse a ella.
- Desenchufe su frigorífico antes de proceder a su limpieza o deshielo.
- No utilice nunca materiales de limpieza que usen vapor para limpiar o descongelar el frigorífico. El vapor podría entrar en contacto con los elementos eléctricos y causar cortocircuitos o descargas eléctricas.
- No utilice nunca elementos del frigorífico tales como la puerta como medio de sujeción o como escalón.
- No utilice aparatos eléctricos en el interior del frigorífico.
- Evite dañar el circuito del refrigerante con herramientas cortantes o de perforación. El refrigerante que puede liberarse si se perforan los canales de gas del evaporador, los conductos o los recubrimientos de las superficies causa irritaciones en la piel y lesiones en los ojos.
- No cubra ni bloquee los orificios de ventilación de su frigorífico con ningún material.
- Deje la reparación de los aparatos eléctricos únicamente en manos de personal autorizado. Las reparaciones realizadas por personas incompetentes generan riesgos para el usuario.
- En caso de fallo o cuando vaya a realizar cualquier operación de reparación o mantenimiento, desconecte el frigorífico de la corriente apagando el fusible correspondiente o bien desenchufando el aparato.
- No desenchufe el aparato de la toma de corriente tirando del cable.
- Coloque las bebidas de mayor graduación alcohólica juntas y en posición vertical.
- No almacene en el frigorífico aerosoles que contengan sustancias inflamables o explosivas.

- No utilice dispositivos mecánicos u otros medios para acelerar el proceso de deshielo distintos de los recomendados por el fabricante.
- Este aparato no debe ser utilizado por niños o por personas con sus facultades físicas, sensoriales o mentales reducidas o bien que carezcan de la experiencia y los conocimientos necesarios, a menos que lo hagan bajo la supervisión de personas responsables de su seguridad o bien tras haber recibido instrucciones de uso por parte de dichas personas.
- No utilice un frigorífico que haya sufrido daños. Consulte con el servicio de atención al cliente en caso de duda.
- La seguridad eléctrica de su frigorífico sólo estará garantizada si el sistema de toma de tierra de su domicilio se ajusta a los estándares.
- Desde el punto de vista de la seguridad eléctrica, es peligroso exponer el aparato a la lluvia, la nieve o el viento.
- Póngase en contacto con el servicio técnico autorizado en caso de que el cable de alimentación principal se dañe, para evitar cualquier peligro.
- Nunca enchufe el frigorífico en la toma de corriente durante su instalación. Existe peligro de lesiones graves e incluso de muerte.
- Este frigorífico está únicamente diseñado para almacenar alimentos. No debe utilizarse para ningún otro propósito.
- La etiqueta que contiene los datos técnicos del frigorífico se encuentra en la parte interior izquierda del mismo.
- Jamás conecte el frigorífico a sistemas de ahorro de electricidad, ya que podría dañarlo.
- Si el frigorífico está equipado con una luz azul, no la mire a través de dispositivos ópticos.
- En los frigoríficos de control manual, si se produce un corte del fluido eléctrico espere al menos 5 minutos antes de volver a ponerlo en marcha.
- Cuando entregue este aparato a un nuevo propietario, asegúrese de entregar también este manual de instrucciones.

- Tenga cuidado de no dañar el cable de alimentación al transportar el frigorífico. Doblar el cable podría causar un incendio. Nunca deposite objetos pesados encima del cable de alimentación. No toque el enchufe con las manos mojadas para conectar el aparato.



- No enchufe el frigorífico si el enchufe no encaja con firmeza en la toma de corriente de la pared.
- Por razones de seguridad, no pulverice agua directamente en las partes interiores o exteriores de este aparato.
- No rocíe cerca del frigorífico sustancias que contengan gases inflamables tales como gas propano para evitar riesgos de incendio y explosiones.
- Nunca coloque recipientes con agua sobre el frigorífico, ya que podría provocar una descarga eléctrica o un incendio.
- No deposite cantidades excesivas de alimentos en el frigorífico. Si lo hace, al abrir la puerta del frigorífico los alimentos podrían caerse y provocar lesiones personales o dañar el frigorífico. Nunca coloque objetos sobre el frigorífico, ya que podrían caer al abrir o cerrar la puerta.
- No guarde en el frigorífico productos que necesiten un control preciso de la temperatura tales como vacunas, medicamentos sensibles al calor, materiales científicos, etc.
- Desenchufe el frigorífico si no lo va a utilizar durante un periodo prolongado de tiempo. Un problema en el cable de alimentación podría causar un incendio.
- Limpie regularmente la punta del enchufe, ya que de lo contrario puede provocar un incendio.

- Limpie regularmente la punta del enchufe con un paño seco; de lo contrario podría provocarse un incendio.
- El frigorífico podría moverse si los pies no están adecuadamente asentados en el suelo. Fijar adecuadamente los pies del frigorífico en el suelo puede ayudar a evitar que se mueva.
- Cuando transporte el frigorífico, no lo aferre del asa de la puerta. De lo contrario, podría romperla.
- Cuando tenga que colocar el frigorífico cerca de otro frigorífico o congelador, deberá dejar un espacio entre ambos aparatos de 8 cm como mínimo. De lo contrario, podría formarse humedad en las paredes adyacentes.

### **Productos equipados con dispensador de agua:**

La presión de la red de suministro de agua debe ser de un mínimo de 1 bar. La presión de la red de suministro de agua debe ser de 8 bares como máximo.

- Use agua potable únicamente.

### **Seguridad infantil**

- Si la puerta tiene cerradura, mantenga la llave fuera del alcance de los niños.
- Vigile a los niños para evitar que manipulen el aparato.

### **Advertencia sobre la seguridad de la salud**

#### **Si el sistema de refrigeración de su aparato contiene R600a:**

Este gas es inflamable. Por lo tanto, procure no dañar el sistema de enfriamiento ni sus conductos durante el uso o el transporte del aparato. En caso de daños, mantenga el aparato alejado de fuentes potenciales de ignición que puedan provocar que éste sufra un incendio, y ventile la estancia en la que se encuentre el aparato.

### **Ignore esta advertencia si el sistema de refrigeración de su aparato contiene R134a.**

El tipo de gas utilizado en el aparato se indica en la placa de datos ubicada en la pared interior izquierda del frigorífico.

Jamás arroje el aparato al fuego.

### **Consejos para el ahorro de energía**

- No deje las puertas del frigorífico abiertas durante periodos largos de tiempo.
- No introduzca alimentos o bebidas calientes en el frigorífico.
- No sobrecargue el frigorífico, ya que entorpecería la circulación del aire en su interior.
- No instale el frigorífico de forma que quede expuesto a la luz solar directa o cerca de aparatos que irradian calor tales como hornos, lavavajillas o radiadores.
- Procure depositar los alimentos en recipientes cerrados.
- Productos equipados con compartimento congelador: puede disponer del máximo volumen para el depósito de alimentos retirando el estante o el cajón del congelador. El consumo energético que se indica para su frigorífico se ha calculado retirando el estante o el cajón del congelador y en condiciones de máxima carga. No existe ningún riesgo en la utilización de un estante o cajón según las formas o tamaños de los alimentos que se van a congelar.
- Descongele los alimentos congelados en el compartimento frigorífico; ahorrará energía y preservará la calidad de los alimentos.



### 3 Instalación

⚠ Recuerde que el fabricante declina toda responsabilidad en caso de incumplimiento de las instrucciones de este manual.

#### Cuestiones a considerar a la hora de transportar el frigorífico

1. El frigorífico debe estar vacío y limpio antes de proceder a su transporte.
2. Los estantes, accesorios, el cajón de frutas y verduras, etc., deben sujetarse con cinta adhesiva antes de embalar el frigorífico para evitar que se muevan.
3. Encinte el frigorífico una vez embalado con cinta gruesa y fíjelo con cuerdas resistentes. Siga las reglas de transporte que encontrará impresas en el propio embalaje.

#### No olvide que:

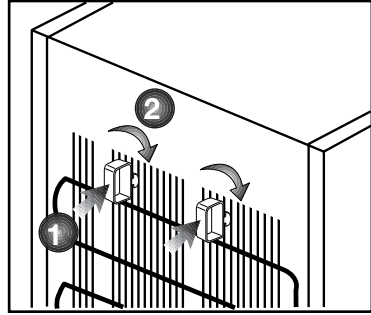
El reciclaje de materiales es un asunto de vital importancia para la naturaleza y para los recursos del país.

Si desea contribuir al reciclaje de los materiales de embalaje, solicite más información a los responsables medioambientales de su zona o a las autoridades locales.

#### Antes de usar el frigorífico

Antes de empezar a usar el frigorífico, verifique lo siguiente:

1. El interior del frigorífico está seco y el aire puede circular con libertad por su parte posterior.
2. Introduzca 2 cuñas plásticas en la ventilación trasera, como se muestra en la figura siguiente. Las cuñas de plástico proporcionarán la distancia requerida entre su frigorífico y la pared para una correcta circulación del aire.



3. Limpie el interior del frigorífico de la forma recomendada en la sección “Mantenimiento y Limpieza”.
4. Enchufe el frigorífico a la toma de corriente. Al abrir la puerta del frigorífico, la luz interior del compartimento frigorífico se enciende.
5. Se oye un ruido cada vez que el compresor se pone en funcionamiento. El líquido y los gases contenidos en el sistema de refrigeración pueden también generar ruidos, incluso aunque el compresor no esté funcionando, lo cual es normal.
6. Es posible que las aristas delanteras del aparato se noten calientes al tacto, cosa que es perfectamente normal. Estas zonas deben permanecer calientes para evitar la condensación.

#### Conexiones eléctricas

Conecte el frigorífico a una toma de corriente provista de toma de tierra y protegida por un fusible de la capacidad adecuada.

Importante:

- La conexión debe cumplir con las normativas nacionales.
- El enchufe de alimentación debe ser fácilmente accesible tras la instalación.
- La tensión especificada debe corresponder a la tensión de la red eléctrica.
- No use cables de extensión ni enchufes múltiples para conectar la unidad.

- ⚠ Todo cable de alimentación dañado debe ser reemplazado por un electricista cualificado.
- ⚠ ¡No ponga en funcionamiento el aparato hasta que esté reparado, ya que existe peligro de cortocircuito.

## Eliminación del embalaje

Los materiales de empaque pueden ser peligrosos para los niños.

Manténgalos fuera de su alcance o deshágase de ellos clasificándolos según las instrucciones para la eliminación de residuos. No los tire junto con los residuos domésticos normales.

El embalaje del frigorífico se ha fabricado con materiales reciclables.

## Eliminación de su viejo frigorífico

Deshágase de su viejo frigorífico de manera respetuosa con el medio ambiente.

- Consulte las posibles alternativas a un distribuidor autorizado o al centro de recogida de residuos de su municipio.

Antes de proceder a la eliminación del frigorífico, corte el enchufe y, si las puertas tuvieran cierres, destrúyalos para evitar que los niños corran riesgos.

## Colocación e instalación

⚠ Si la puerta de entrada a la estancia donde va a instalar el frigorífico no es lo suficientemente ancha como para permitir su paso, solicite al servicio técnico que retire las puertas del frigorífico y lo pase de lado a través de la puerta.

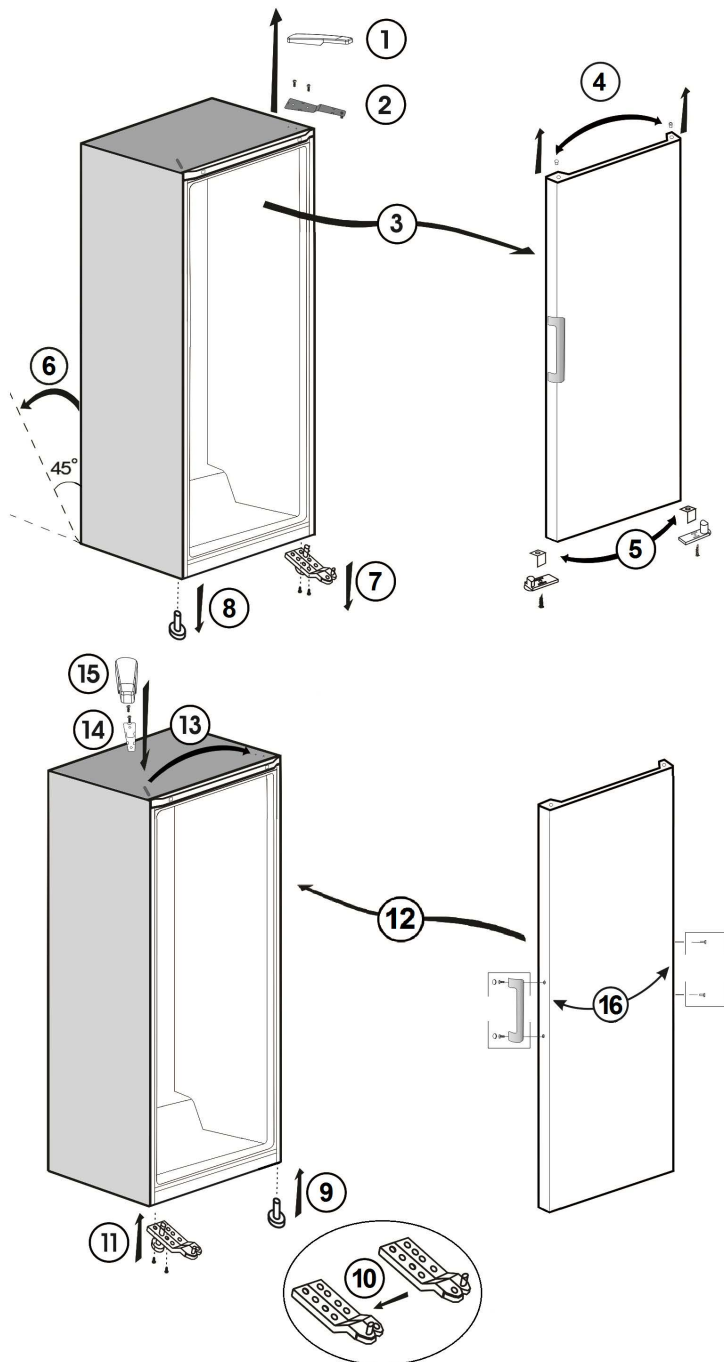
1. Instale el frigorífico en un lugar en el que pueda utilizarse con comodidad.
2. Mantenga el frigorífico alejado de fuentes de calor y lugares húmedos y evite su exposición directa a la luz solar.
3. Para que el frigorífico funcione con la máxima eficacia, debe instalarse en una zona que disponga de una ventilación adecuada.  
Si el frigorífico va a instalarse en un hueco de la pared, debe dejarse un mínimo de 5 cm de separación con el techo y de 5 cm con las paredes.  
Si el suelo está cubierto con una alfombra, deberá elevar el frigorífico 2,5 cm del suelo.
4. Coloque el frigorífico sobre una superficie lisa para evitar sacudidas.
5. No instale el frigorífico en estancias cuya temperatura ambiente sea inferior a 10°C.

## Sustitución de la bombilla interior

Para cambiar la bombilla utilizada para iluminar el frigorífico, póngase en contacto con el servicio técnico autorizado. Las bombillas de este electrodoméstico no sirven para la iluminación en el hogar. Su propósito es el de ayudar al usuario a colocar los alimentos en el frigorífico o congelador de forma cómoda y segura. Las lámparas utilizadas en este electrodoméstico deben soportar unas condiciones físicas extremas como temperaturas inferiores a -20°C.

# Inversión de las puertas

Proceder en orden numérico.



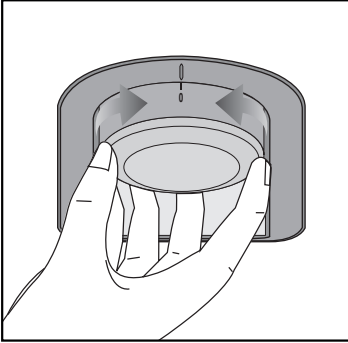
## 4 Preparación

---

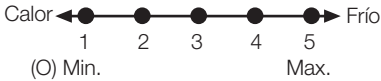
- El frigorífico debe instalarse dejando una separación no inferior a 30 cm respecto a fuentes de calor tales como quemadores, hornos, calefacciones o estufas y no inferior a 5 cm con respecto a hornos eléctricos, evitando asimismo su exposición directa a la luz solar.
- La temperatura ambiente de la estancia donde instale el frigorífico no debe ser inferior a 10°C. A temperaturas inferiores, el frigorífico puede ver reducida su eficacia.
- Asegúrese de limpiar meticulosamente el interior del frigorífico.
- En caso de que vaya a instalar dos frigoríficos uno al lado del otro, debe dejar una separación no inferior a 2 cm entre ellos.
- Al utilizar el frigorífico por primera vez, siga las siguientes instrucciones referentes a las primeras seis horas.
- No abra la puerta con frecuencia.
- No deposite alimentos en el interior.
- No desenchufe el frigorífico. En caso de corte del suministro eléctrico ajeno a su voluntad, consulte las advertencias de la sección "**Sugerencias para la solución de problemas**".
- Guarde el embalaje original para futuros traslados.

## 5 Uso del frigorífico

### Ajuste de la temperatura de funcionamiento



La temperatura de funcionamiento se regula mediante el mando de control de temperatura.



**1 = Nivel mínimo de refrigeración**  
(Posición de máximo calor)

**5 = Nivel máximo de refrigeración**  
(Posición de máximo frío)

(O)

**Mín. = Nivel mínimo de refrigeración**  
(Posición de máximo calor)

**Máx. = Nivel máximo de refrigeración**  
(Posición de máximo frío)

La temperatura media en el interior del frigorífico debería ser de unos +5°C.

Seleccione el ajuste en función de la temperatura deseada.

Tenga en cuenta que habrá diferentes temperaturas en el área de refrigeración.

La zona más fría se encuentra situada justo encima del compartimento de las verduras.

La temperatura interior depende asimismo de la temperatura ambiente, la frecuencia de apertura de la puerta y la cantidad de alimentos almacenados. Una apertura frecuente de la puerta provoca una subida de la temperatura del interior.

Por este motivo, se recomienda cerrar la puerta lo antes posible después de cada uso.

### Uso de los compartimentos interiores

Estantes móviles: la distancia entre los estantes puede ajustarse en caso necesario.

Cajón de frutas y verduras: permite almacenar frutas y verduras en perfecto estado durante largos periodos.

Estante para botellas: apto para colocar botellas, tarros y latas.

### Refrigeración

#### Almacenamiento de los alimentos

El compartimento frigorífico está destinado al almacenamiento de alimentos frescos y bebidas por un periodo de tiempo breve.

Almacene los productos lácteos en el compartimento destinado a tal efecto.

Las botellas pueden guardarse en el porta botellas o en el estante para botellas de la puerta.

La carne cruda se conserva mejor en bolsas de polietileno dentro del compartimento inferior del refrigerador.

Deje enfriar los alimentos y las bebidas calientes antes de introducirlos en el frigorífico.

- Atención

El alcohol concentrado debe depositarse únicamente en posición vertical y firmemente cerrado.

- Atención

No guardar en el frigorífico sustancias explosivas ni productos que contengan gases inflamables (botes de nata a presión, aerosoles, etc.). Existe riesgo de explosión.

## Deshielo

El compartimento del frigorífico se deshiela de manera automática.

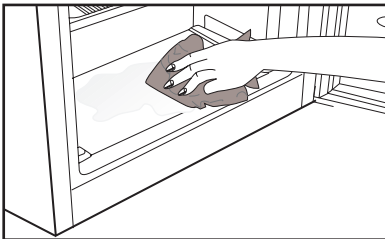
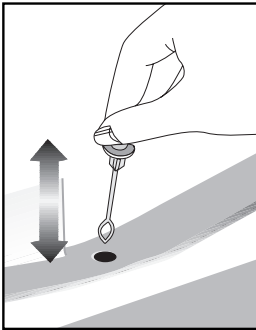
El agua del deshielo circula a través del conducto de desagüe hasta un recipiente de recogida situado en la parte trasera del frigorífico.

Durante el deshielo pueden formarse pequeñas gotas en la parte trasera del frigorífico a causa de la evaporación.

Si no se eliminan todas las gotas, éstas podrían congelarse de nuevo.

Después del deshielo, elimínelas con un trapo empapado en agua caliente, pero nunca con un objeto duro o afilado.

Compruebe la circulación del agua de deshielo de vez en cuando, ya que puede estancarse de manera ocasional.



## Parada del aparato

Si su termostato dispone de posición "0":

- Su aparato dejará de funcionar al poner el botón del termostato en la posición "0" (cero). El aparato no se pondrá en marcha hasta que no sitúe de nuevo el botón del termostato en la posición "1" o en cualquiera de las demás posiciones.

Si su termostato dispone de posición "min":

- Desenchufe el aparato para detener su funcionamiento.

## 6 Mantenimiento y limpieza

---

- ⚠ No utilice nunca gasolina, benceno o sustancias similares para la limpieza.
- ⚠ Le recomendamos desenchufar el aparato antes de proceder a su limpieza.
- ℹ No utilice nunca para la limpieza instrumentos afilados o sustancias abrasivas, jabones, limpiadores domésticos, detergentes ni ceras abrillantadoras.
- ℹ Limpie el armario del frigorífico con agua tibia y séquelo con un paño.
- ℹ Para limpiar el interior, utilice un paño humedecido en un vaso grande de agua con una cucharadita de bicarbonato sódico disuelta y séquelo con un trapo.
- ⚠ Asegúrese de que no penetre agua en el alojamiento de la lámpara ni en otros elementos eléctricos.
- ⚠ Si no va a utilizar el frigorífico durante un periodo prolongado, desenchúfelo, retire todos los alimentos, límpielo y deje la puerta entreabierta.
- ℹ Compruebe regularmente los cierres herméticos de la puerta para asegurarse de que estén limpios y sin restos de alimentos.
- ℹ Para extraer las bandejas de la puerta, retire todo su contenido y, a continuación, simplemente empuje la bandeja hacia arriba desde su base.

- ℹ Nunca use agentes de limpieza o agua que contengan cloro para limpiar las superficies exteriores y los cromados del producto, ya que el cloro corroe dichas superficies metálicas.

### Protección de las superficies de plástico

- ℹ No deposite aceites líquidos o alimentos aceitosos en recipientes no cerrados ya que dañarán las superficies de plástico de su frigorífico. En caso de derrame de aceite sobre las superficies de plástico, limpie y enjuague con agua caliente la parte afectada de inmediato.

## 7 Sugerencias para la solución de problemas

Le rogamos compruebe la siguiente lista antes de llamar al servicio técnico. Ello puede ayudarle a ahorrar tiempo y dinero. Esta lista incluye problemas frecuentes no achacables a defectos en materiales o manufactura. Es posible que algunas de las características mencionadas no estén presentes en su producto.

### El refrigerador no funciona.

- ¿Está el frigorífico correctamente enchufado? Inserte el enchufe en la toma de corriente.
- ¿Están fundidos el fusible principal o el fusible del enchufe al cual ha conectado el frigorífico? Revise los fusibles.

### Condensación en la pared lateral del compartimento refrigerador. (MULTI ZONE, COOL CONTROL y FLEXI ZONE).

- Condiciones ambientales muy frías. Frecuente apertura y cierre de la puerta. Nivel alto de humedad ambiental. Almacenamiento de alimentos que contienen líquidos en recipientes abiertos. Dejar la puerta entreabierta.
- Ponga el termostato a una temperatura más baja.
- Deje la puerta abierta durante menos tiempo o ábrala con menor frecuencia.
- Cubra los alimentos almacenados en recipientes abiertos con un material adecuado.
- Enjugue el agua condensada con un paño seco y compruebe si la condensación persiste.

### El compresor no funciona.

- El dispositivo térmico protector del compresor saltará en caso de un corte súbito de energía o de idas y venidas de la corriente, ya que la presión del refrigerante en el sistema de enfriamiento aún no se ha estabilizado.
- Su frigorífico se pondrá en marcha transcurridos unos 6 minutos. Llame al servicio técnico si su frigorífico no se pone en marcha transcurrido ese periodo.
- El frigorífico se encuentra en el ciclo de descongelación. Esto es normal en un frigorífico con descongelación automática. El ciclo de descongelación se produce de forma periódica.
- El frigorífico no está enchufado. Compruebe que el enchufe esté firmemente insertado en la toma de corriente.
- ¿Está la temperatura correctamente fijada? Hay un corte del fluido eléctrico. Llame a su electricista.



El frigorífico está en funcionamiento con frecuencia o durante periodos prolongados.

- Puede que su nuevo frigorífico sea más grande que el que tenía anteriormente. Esto es perfectamente normal. Los frigoríficos de mayor tamaño funcionan durante más tiempo.
- Es posible que la temperatura ambiente de la estancia sea más alta. Esto es perfectamente normal.
- Es posible que haya enchufado el frigorífico o bien lo haya cargado de alimentos recientemente. Puede que el frigorífico tarde unas dos horas en enfriarse por completo.
- Es posible que recientemente haya depositado grandes cantidades de alimentos en el frigorífico. Los alimentos calientes pueden ocasionar que el frigorífico trabaje durante más tiempo hasta alcanzar la temperatura de almacenamiento seguro.
- Es posible que las puertas se hayan abierto con frecuencia o que se hayan dejado entreabiertas por un tiempo prolongado. El aire caliente que ha penetrado en el frigorífico hace que éste funcione durante más tiempo. Abra las puertas con menos frecuencia.
- Es posible que la puerta del compartimento frigorífico o congelador se haya dejado entreabierta. Compruebe que las puertas estén bien cerradas.
- El frigorífico está ajustado a una temperatura muy baja. Ajuste la temperatura del frigorífico a un valor más alto y espere a que se alcance dicha temperatura.
- La junta de la puerta del compartimento frigorífico o congelador puede estar sucia, desgastada, rota o no asentada correctamente. Limpie o sustituya la junta. Una junta rota o dañada hace que el frigorífico funcione durante más tiempo con el fin de mantener la temperatura actual.

La temperatura del congelador es muy baja, mientras que la del frigorífico es correcta.

- La temperatura del congelador está ajustada a un valor muy bajo. Ajuste la temperatura del congelador a un valor más elevado y compruebe.

La temperatura del frigorífico es muy baja, mientras que la del congelador es correcta.

- La temperatura del compartimento frigorífico está ajustada a un valor muy bajo. Ajuste la temperatura del frigorífico a un valor más elevado y compruebe.

Los alimentos depositados en los cajones del compartimento frigorífico se están congelando.

- La temperatura del compartimento frigorífico está ajustada a un valor muy bajo. Ajuste la temperatura del frigorífico a un valor más elevado y compruebe.

La temperatura del congelador o el frigorífico es muy alta.
<ul style="list-style-type: none"> <li>• La temperatura del frigorífico está ajustada a un valor muy alto. El ajuste de la temperatura del frigorífico afecta a la temperatura del congelador. Cambie la temperatura del frigorífico o del congelador hasta que alcance un nivel suficiente.</li> <li>• Es posible que la puerta se haya quedado entreabierta. Cierre la puerta del todo.</li> <li>• Es posible que recientemente haya depositado grandes cantidades de alimentos en el frigorífico. Espere hasta que el frigorífico o el congelador alcance la temperatura deseada.</li> <li>• Es posible que el frigorífico haya sido enchufado recientemente. El enfriamiento completo del frigorífico lleva un tiempo debido a su tamaño.</li> </ul>
Puede escucharse un sonido parecido al tic tac de un reloj saliendo del frigorífico.
<ul style="list-style-type: none"> <li>• Este ruido procede de la electroválvula del frigorífico. La electroválvula garantiza el flujo de líquido refrigerante a través del compartimento, que puede ajustarse a temperaturas de enfriamiento o congelación así como llevar a cabo funciones de refrigeración. Esto es perfectamente normal y no es ninguna anomalía.</li> </ul>
El nivel de ruidos propios del funcionamiento se incrementa cuando el frigorífico está en marcha.
<ul style="list-style-type: none"> <li>• Las características de rendimiento del frigorífico pueden cambiar en función de las variaciones en la temperatura ambiente. Esto es perfectamente normal, no es ninguna avería.</li> </ul>
Vibraciones o ruidos.
<ul style="list-style-type: none"> <li>• El suelo no está nivelado ni es firme. El frigorífico oscila al moverlo lentamente. Compruebe que el suelo esté nivelado y sea firme y capaz de soportar el peso del frigorífico.</li> <li>• El ruido puede deberse a los elementos guardados en el frigorífico. Tales objetos deben retirarse de la parte superior del frigorífico.</li> </ul>
Pueden oírse ruidos como si un líquido se derramara o se pulverizara.
<ul style="list-style-type: none"> <li>• Los líquidos y gases fluyen de acuerdo con los principios de funcionamiento del frigorífico. Esto es perfectamente normal, no es ninguna avería.</li> </ul>
Puede oírse un ruido parecido al viento.
<ul style="list-style-type: none"> <li>• Se utilizan ventiladores con el fin de hacer que el frigorífico se enfríe con eficiencia. Esto es perfectamente normal, no es ninguna avería.</li> </ul>
Condensación en las paredes interiores del frigorífico.
<ul style="list-style-type: none"> <li>• El tiempo cálido y húmedo favorece la formación de hielo y la condensación. Esto es perfectamente normal, no es ninguna avería.</li> <li>• Las puertas están entreabiertas. Asegúrese de que las puertas estén completamente cerradas.</li> <li>• Es posible que las puertas se hayan estado abriendo con frecuencia o que se hayan dejado abiertas durante un periodo prolongado. Abra las puertas con menor frecuencia.</li> </ul>
Hay humedad en el exterior del frigorífico o entre las puertas.
<ul style="list-style-type: none"> <li>• Puede que haya humedad ambiental. Esto es perfectamente normal en climas húmedos. Cuando el grado de humedad descienda, la condensación desaparecerá.</li> </ul>
Mal olor en el interior del frigorífico.
<ul style="list-style-type: none"> <li>• El interior del frigorífico debe limpiarse. Limpie el interior del frigorífico con una esponja empapada en agua caliente o agua con gas.</li> <li>• Es posible que el olor provenga de algún recipiente o envoltorio. Utilice otro recipiente o materiales para envolver de una marca diferente.</li> </ul>
La puerta (o puertas) no se cierra.
<ul style="list-style-type: none"> <li>• Puede que los paquetes de alimentos depositados no dejen que las puertas se cierren. Recolecte los paquetes que estén obstruyendo la puerta.</li> <li>• Es probable que el frigorífico no esté en posición completamente vertical sobre el suelo y que oscile si se lo mueve ligeramente. Ajuste los tornillos de elevación.</li> <li>• El suelo no está nivelado o no es firme. Compruebe que el suelo esté nivelado y que sea capaz de soportar el peso del frigorífico.</li> </ul>
Los cajones están atascados.
<ul style="list-style-type: none"> <li>• Es posible que algún alimento toque el techo del cajón. Cambie la distribución de los alimentos en el cajón.</li> </ul>

## Leggere innanzitutto il manuale di istruzioni.

Gentile Cliente,

ci auguriamo che l'articolo da Lei scelto, prodotto in moderni stabilimenti e sottoposto ai più severi controlli di qualità, risponda interamente alle Sue esigenze.




A tal fine, La invitiamo a leggere attentamente il manuale di istruzioni del prodotto prima di procedere al suo utilizzo e di conservarlo per eventuali consultazioni future.

## Il presente manuale

- Aiuterà l'utente ad utilizzare l'apparecchio in modo rapido e sicuro.
  - Leggere le istruzioni per l'uso prima di installare e utilizzare il prodotto.
  - Seguire attentamente le istruzioni, in particolare quelle inerenti alla sicurezza.
  - Conservare il presente manuale in un luogo facilmente accessibile per eventuali future consultazioni.
  - Leggere inoltre gli altri documenti forniti assieme al prodotto.
- Il presente manuale può essere valido anche per altri modelli.

## Simboli e loro descrizione

Il manuale di istruzioni contiene i seguenti simboli:

-  Informazioni importanti o consigli utili di utilizzo.
-  Segnale di avvertimento in caso di situazioni pericolose per la persona o i beni.
-  Avvertimento in caso di problemi con il voltaggio.



## AVVERTENZA!

Per garantire il funzionamento adeguato dell'elettrodomestico, che utilizza il refrigerante R600a completamente adatto all'ambiente (infiammabile solo in determinate condizioni), è necessario attenersi alle seguenti regole:

- Non ostacolare la libera circolazione dell'aria attorno all'elettrodomestico.
- Per accelerare lo sbrinamento non utilizzare dispositivi meccanici diversi da quelli consigliati dal produttore.
- Non danneggiare il circuito refrigerante.
- Non utilizzare all'interno del comparto del cibo elettrodomestici diversi da quelli consigliati dal produttore.

## Riciclaggio



Questo prodotto riporta il simbolo di raccolta differenziata per le apparecchiature elettriche ed elettroniche di rifiuto (WEEE). Ciò significa che il prodotto deve essere gestito in conformità alla direttiva europea 2002/96/EC in modo che durante il riciclaggio e lo smontaggio sia ridotto al minimo l'impatto sull'ambiente. Per ulteriori informazioni contattare le autorità locali o regionali.

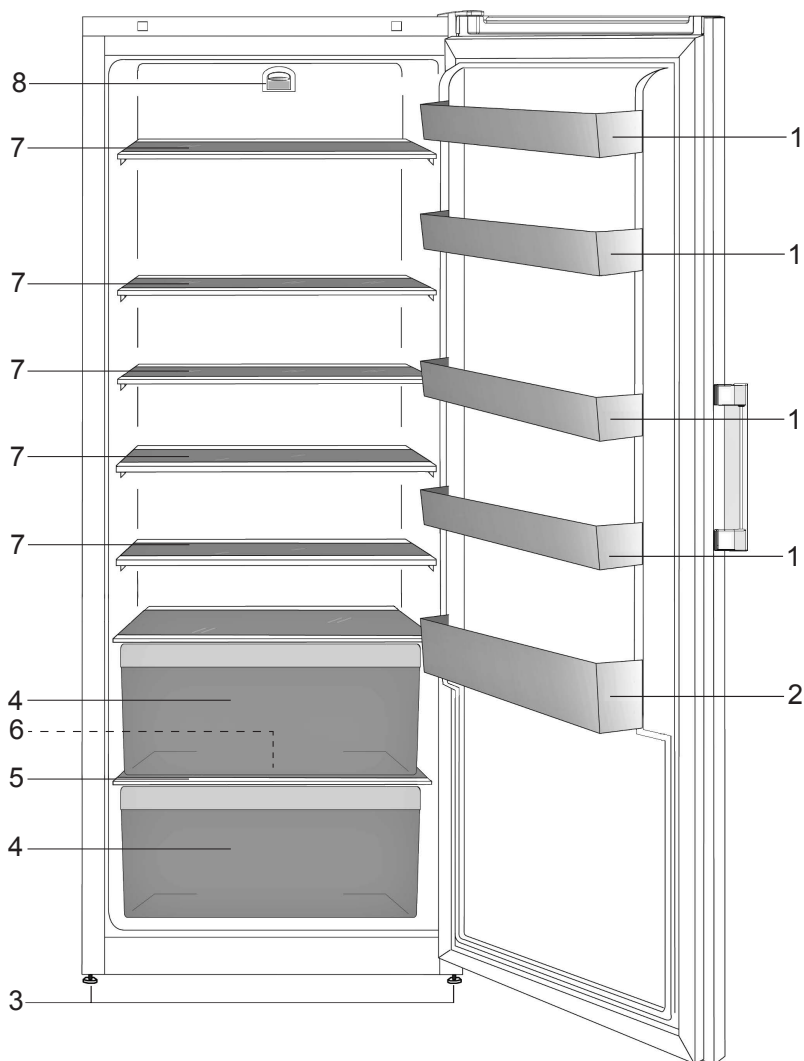
I prodotti elettronici non inclusi nel processo di raccolta differenziata sono potenzialmente pericolosi per l'ambiente e la salute umana a causa della presenza di sostanze pericolose.

## INDICE

---

<b>1 Il frigorifero</b>	<b>3</b>	<b>4 Preparazione</b>	<b>10</b>
<b>2 Importanti avvertenze per la sicurezza</b>	<b>4</b>	<b>5 Utilizzo del frigorifero</b>	<b>11</b>
Usato previsto .....	4	Impostazione della temperatura di funzionamento .....	11
Sicurezza generale .....	4	Usato degli scomparti interni .....	11
Sicurezza bambini .....	6	Raffreddamento .....	11
Avvertenza HCA .....	6	Sbrinamento .....	12
Cose da fare per risparmiare energia ....	6	Arresto del prodotto .....	12
<b>3 Installazione</b>	<b>7</b>	<b>6 Manutenzione e pulizia</b>	<b>13</b>
Punti a cui prestare attenzione quando si sposta il frigorifero .....	7	Protezione delle superfici di plastica	13
Prima di avviare il frigorifero .....	7	<b>7 Soluzioni consigliate per i problemi</b>	<b>14</b>
Collegamenti elettrici .....	7		
Smaltimento del materiale di imballaggio .....	8		
Smaltimento del vecchio frigorifero ....	8		
Posizionamento e installazione .....	8		
Sostituzione della lampadina interna...	8		
Inversione degli sportelli .....	9		

# 1 Il frigorifero



1. Mensole dello sportello regolabili
2. Ripiani bottiglie
3. Piedi anteriori regolabili
4. Scomparto frutta e verdura
5. Coperchio scomparto per frutta e verdura

6. Canale di raccolta dell'acqua di sbrinamento – tubo di drenaggio
7. Mensole amovibili
8. Lampadina e termostato

**i** Le illustrazioni contenute in questa guida sono schematiche e potrebbero non corrispondere esattamente al prodotto in uso. Se le parti in oggetto non sono incluse nel prodotto acquistato, significa che sono da intendersi per altri modelli.

## 2 Importanti avvertenze per la sicurezza

---

Prendere in esame le seguenti informazioni. La mancata osservanza di queste informazioni può provocare lesioni o danni materiali. Quindi tutte le garanzie e gli impegni sull'affidabilità diventerebbero privi di validità.

I pezzi di ricambio originali verranno forniti per 10 anni, successivamente alla data di acquisto del prodotto.

### Uso previsto

Questo apparecchio è destinato ad essere usato:

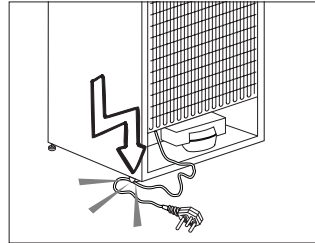
- all'interno e in aree chiuse, ad esempio in casa;
- in ambienti di lavoro chiusi, come negozi e uffici;
- in strutture chiuse di soggiorno, come agriturismi, alberghi, pensioni.
- Non deve essere usato all'esterno.

### Sicurezza generale

- Quando si vuole smaltire/eliminare l'apparecchio, è consigliabile consultare il servizio autorizzato per apprendere le informazioni necessarie e conoscere gli enti autorizzati.
- Consultare il servizio di manutenzione autorizzato per tutti i problemi relativi al frigorifero. Non intervenire far intervenire sul frigorifero senza informare il servizio manutenzione autorizzato.
- Per apparecchi dotati di scomparto freezer; non mangiare con gelato o cubetti di ghiaccio o gelati appena estratti dal freezer! (Ciò potrebbe causare sintomi di congelamento in bocca).
- Per apparecchi dotati di scomparto freezer; non mettere bottiglie e lattine di bibite liquide nello scomparto del freezer altrimenti potrebbero esplodere.
- Non toccare con le mani gli alimenti gelati; possono incollarsi ad esse.
- Scollegare il frigorifero prima della pulizia o dello sbrinamento.
- Il vapore e i materiali per la pulizia vaporizzati non devono mai essere usati per pulire e scongelare il frigorifero. In queste situazioni, il vapore può entrare in contatto con le parti elettriche e provocare corto circuito o scossa elettrica.
- Non usare mai parti del frigorifero come lo sportello come mezzo di supporto o movimento.
- Non utilizzare dispositivi elettrici all'interno del frigorifero.
- Non danneggiare le parti, in cui circola il refrigerante, con utensili perforanti o taglienti. Il refrigerante può scoppiare quando i canali del gas dell'evaporatore, le estensioni dei tubi o le pellicole superficiali vengono punti e provocano irritazioni alla pelle e lesioni agli occhi.
- Non bloccare o coprire la ventilazione dell'elettrodomestico.
- I dispositivi elettrici devono essere riparati solo da persone autorizzate. Le riparazioni eseguite da personale non competente provocano danni all'utilizzatore.
- In caso di guasto o durante lavori di riparazione e manutenzione, scollegare la fornitura d'energia principale spegnendo il fusibile principale o scollegando la presa dell'apparecchio.
- Non tirare dal cavo quando si estrae la spina.
- Posizionare le bibite più alte molto vicine e in verticale.
- Non conservare mai nel frigorifero contenitori spray che contengano sostanze infiammabili ed esplosive.
- Non utilizzare apparecchiature meccaniche o altri mezzi diversi da quelli consigliati dal produttore per accelerare il processo di sbrinamento.

- Questo apparecchio non deve essere usato da persone con disturbi fisici, sensoriali o mentali o persone non preparate o senza esperienza (compresi bambini) a meno che non ricevano la supervisione da parte di una persona responsabile della loro sicurezza che li istruirà sull'uso corretto dell'apparecchio.
- Non utilizzare frigoriferi danneggiati. Consultare l'agente per l'assistenza in caso di dubbi.
- La sicurezza elettrica del frigorifero è garantita unicamente se il sistema di messa a terra dell'apparecchiatura è conforme agli standard.
- L'esposizione dell'apparecchio a pioggia, neve, sole e vento è pericolosa per la sicurezza elettrica.
- Contattare l'assistenza autorizzata quando ci sono danni ai cavi in modo da evitare pericoli.
- Non collegare mai il frigorifero alla presa a muro durante l'installazione, per evitare il rischio di morte o lesioni gravi.
- Questo frigorifero è destinato solo alla conservazione di alimenti. Non deve essere usato per altri scopi.
- L'etichetta con le specifiche tecniche si trova sulla parete sinistra nella parte interna del frigorifero.
- Non collegare mai il frigorifero a sistemi di risparmio energetico; potrebbero danneggiare il frigorifero.
- Se c'è una luce blu sul frigorifero, non guardarla a lungo a occhio nudo o con strumenti ottici.
- Per i frigoriferi con controllo manuale, attendere almeno 5 minuti per avviare il frigorifero dopo un'assenza di elettricità.
- Questo manuale operativo deve essere dato al nuovo proprietario dell'apparecchio quando il prodotto stesso viene dato ad altri.
- Evitare di provocare danni al cavo di alimentazione quando si trasporta il frigorifero. Piegare il cavo può provocare un incendio. Non mettere mai oggetti pesanti sul cavo di alimentazione.

- Non toccare la spina con le mani bagnate quando si collega l'apparecchio alla rete elettrica.



- Non collegare il frigorifero alla rete se la presa elettrica è allentata.
- Non deve essere spruzzata acqua sulle parti interne o esterne dell'apparecchio per motivi di sicurezza.
- Non spruzzare sostanze contenenti gas infiammabili come gas propano vicino al frigorifero per evitare rischio di incendio ed esplosione.
- Non mettere mai contenitori pieni di acqua sopra al frigorifero; in caso di schizzi, questo potrebbe provocare shock elettrico o incendio.
- Non sovraccaricare il frigorifero di alimenti. In caso di sovraccarico, gli alimenti potrebbero cadere provocando lesioni alla persona e danni al frigorifero quando si apre lo sportello.
- Non mettere mai oggetti sopra al frigorifero; altrimenti questi oggetti potrebbero cadere quando si apre o si chiude lo sportello del frigorifero.
- Poiché necessitano di un controllo preciso della temperatura, vaccini, medicine sensibili al calore e materiali scientifici non devono essere conservati nel frigorifero.
- Se non sarà usato per un lungo periodo, il frigorifero deve essere scollegato. Un problema possibile nel cavo di alimentazione può provocare un incendio.
- La punta della spina deve essere pulita regolarmente con un panno asciutto; altrimenti può provocare un incendio.

- Il frigorifero potrebbe spostarsi se i piedini regolabili non sono assicurati correttamente al pavimento. Assicurare correttamente i piedini al pavimento può evitare che il frigorifero si sposti.
- Quando si trasporta il frigorifero, non tenerlo dalla maniglia dello sportello. Altrimenti si stacca.
- Quando è necessari posizionare l'apparecchio vicino ad un altro frigorifero o freezer, la distanza tra i dispositivi deve essere di almeno 8 cm. Altrimenti le pareti laterali vicine potrebbero produrre condensa.

### **Sicurezza bambini**

- Se lo sportello ha un lucchetto, la chiave deve essere tenuta lontana dalla portata dei bambini.
- I bambini devono ricevere supervisione per evitare che interferiscano con l'apparecchio.

### **Avvertenza HCA**

#### **Se il sistema di raffreddamento dell'apparecchio contiene R600a:**

Questo gas è infiammabile. Pertanto, fare attenzione a non danneggiare il sistema di raffreddamento e le tubazioni durante l'uso e il trasporto. In caso di danni, tenere l'apparecchio lontano da potenziali fonti di incendio che possono provocarne l'incendio e ventilare la stanza in cui si trova l'unità.

#### **Ignorare questa avvertenza se il sistema di raffreddamento dell'apparecchio contiene R134a.**

Il tipo di gas usato nell'apparecchio è descritto nell'etichetta con il tipo sulla parete sinistra nella parte interna del frigorifero.

Non gettare mai l'apparecchio nel fuoco per lo smaltimento.

### **Cose da fare per risparmiare energia**

- Non lasciare lo sportello del frigorifero aperto per lungo tempo.
- Non inserire alimenti caldi o bevande calde nell'elettrodomestico.
- Non sovraccaricare il frigorifero impedendo la circolazione dell'aria al suo interno.
- Non installare il frigorifero sotto la luce diretta del sole o nelle vicinanze di forni, lavastoviglie o radiatori. Tenere il frigorifero ad almeno 30 cm dalle fonti che emettono calore e ad almeno 5 cm dai forni elettrici.
- Porre attenzione nel conservare gli alimenti in contenitori chiusi.
- Per apparecchi dotati di scomparto freezer; è possibile conservare la quantità massima di alimenti nel freezer quando si rimuove il ripiano o il cassetto del freezer. Il valore di consumo energetico dichiarato per il frigorifero è stato determinato rimuovendo il ripiano del freezer o il cassetto e in condizione di carico massimo. Non c'è pericolo nell'usare un ripiano o un cassetto secondo le forme e le dimensioni degli alimenti da congelare.
- Scongelare alimenti congelati nello scomparto frigo garantisce risparmio energetico e conserva la qualità degli alimenti.



### 3 Installazione

⚠ Se le informazioni date in questo manuale utente non sono prese in considerazione, il produttore non accetta alcuna responsabilità per questo.

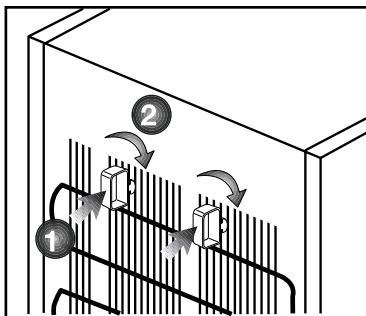
#### Punti a cui prestare attenzione quando si sposta il frigorifero

1. Il frigorifero deve essere scollegato. Prima del trasporto, il frigorifero deve essere svuotato e pulito.
2. Prima di imballarlo di nuovo, ripiani, accessori, scomparto frutta e verdura, ecc. all'interno del frigorifero devono essere fissati con nastro adesivo e assicurati contro i colpi. L'imballaggio deve essere eseguito con un nastro doppio o cavi sicuri e bisogna osservare rigorosamente le norme per il trasporto presenti sulla confezione.
3. Conservare i materiali originali di imballaggio per futuri trasporti o spostamenti.

#### Prima di avviare il frigorifero

Controllare quanto segue prima di utilizzare il frigorifero:

1. L'interno del frigorifero è asciutto e l'aria può circolare liberamente sul retro?
2. Pulire la parte interna del frigorifero come consigliato nella sezione "**Manutenzione e pulizia**".
3. Installare i 2 distanziali in plastica come illustrato in figura. I distanziali di plastica garantiranno la distanza necessaria alla circolazione dell'aria tra il frigorifero e la parete. (La figura è soltanto un esempio e non rappresenta l'esatto modello dell'apparecchio).



4. Collegare la spina del frigorifero alla presa elettrica. Quando lo sportello del frigorifero è aperto, la lampadina interna si accende.
5. Quando il compressore comincia a funzionare, si sente un rumore. I liquidi e i gas sigillati nel sistema refrigerante possono produrre dei rumori, anche se il compressore non è in funzione; questo è abbastanza normale.
6. I bordi anteriori del frigorifero possono essere tiepidi. Questo è normale. Queste zone sono progettate per essere tiepide per evitare la condensazione.

#### Collegamenti elettrici

Collegare il frigorifero ad una presa di messa a terra protetta da un fusibile della capacità appropriata. Importante:

- Il collegamento deve essere conforme ai regolamenti nazionali.
- La spina elettrica deve essere facilmente accessibile dopo l'installazione.
- La sicurezza elettrica del frigorifero è garantita unicamente se il sistema di messa a terra dell'apparecchiatura è conforme agli standard.
- La tensione dichiarata sull'etichetta che si trova nel lato interno a sinistra dell'apparecchio deve essere pari alla tensione di rete.
- **Le prolunghere e le prese multiple non devono essere usate per il collegamento.**

⚠ Un cavo di alimentazione danneggiato deve essere sostituito da un elettricista qualificato.

⚠ L'apparecchio non deve essere usato finché non viene riparato! C'è rischio di shock elettrico!

## Smaltimento del materiale di imballaggio

I materiali di imballaggio potrebbero essere dannosi per i bambini. Tenere i materiali di imballaggio fuori dalla portata dei bambini o smaltirli classificandoli secondo le istruzioni sui rifiuti comunicate dalle autorità locali. Non smaltire assieme ai normali rifiuti domestici, smaltire nei punti di raccolta appositi indicati dalle autorità locali. L'imballaggio del frigorifero è prodotto con materiali riciclabili.

## Smaltimento del vecchio frigorifero

Smaltire il vecchio frigorifero senza danni per l'ambiente.

- Bisogna consultare il rivenditore autorizzato o il centro di raccolta rifiuti della propria città per quanto riguarda lo smaltimento del frigorifero.

Prima di smaltire il frigorifero, tagliare la spina elettrica e, se ci sono blocchi allo sportello, renderli inutilizzabili per proteggere i bambini da eventuali pericoli.

## Posizionamento e installazione

⚠ Nel caso in cui la porta di ingresso della stanza in cui il frigorifero deve essere posizionato non è abbastanza grande per il passaggio del frigorifero, chiamare il servizio autorizzato per rimuovere le porte del frigorifero e per farlo passare attraverso la porta.

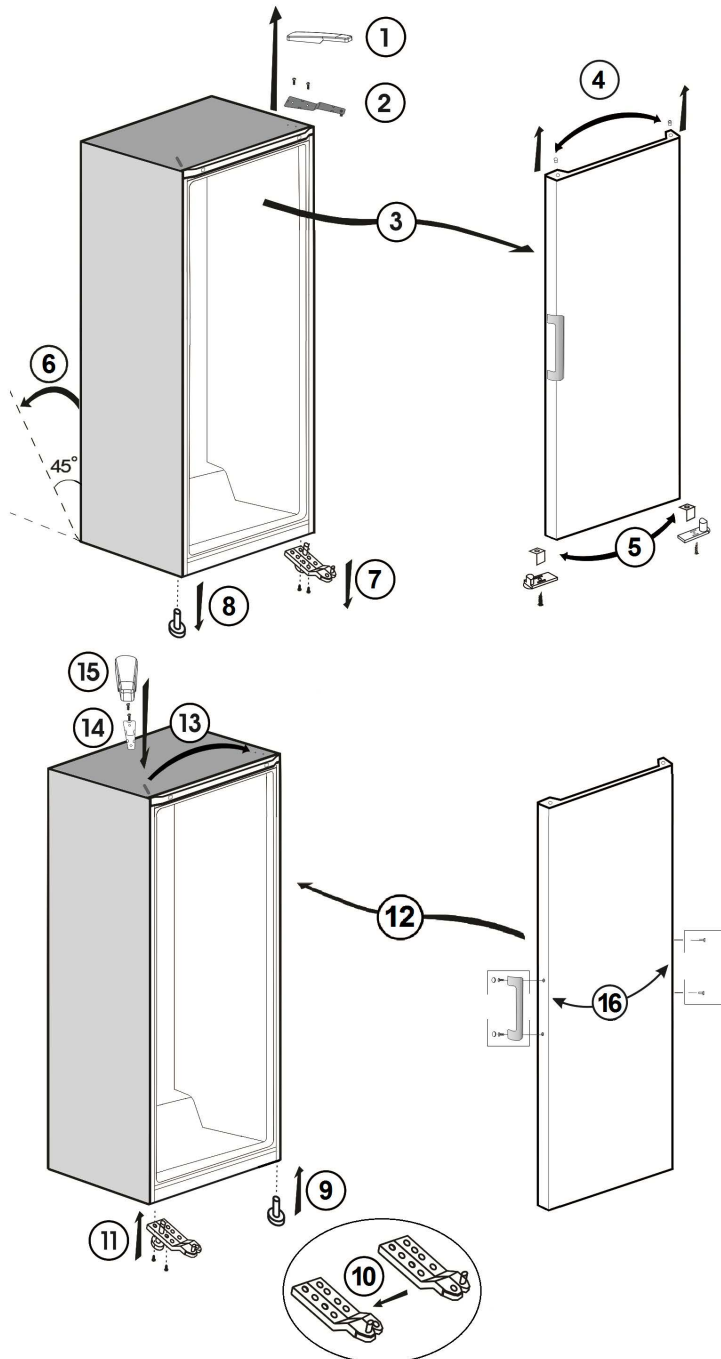
1. Installare il frigorifero in un luogo che ne permetta il facile utilizzo.
2. Tenere il frigorifero lontano da fonti di calore, luoghi umidi e luce diretta del sole.
3. Intorno al frigorifero deve esserci ventilazione appropriata per poter avere operatività efficiente. Se il frigorifero deve essere posizionato in un recesso della parete, è necessario porlo ad almeno 5 cm di distanza dal soffitto e a 5 cm dalla parete. Non posizionare l'apparecchio su materiali come tappetini o tappeti.
4. Posizionare l'elettrodomestico solo su superfici uniformi e piane per evitare dondoli.
5. Non tenere il frigorifero in ambienti con temperature inferiori ai 10°C.

## Sostituzione della lampadina interna

Per cambiare lampadina/LED utilizzati per illuminare il frigorifero, rivolgersi al Servizio Assistenza Autorizzato. La lampada (le lampade) usata (usate) nell'apparecchiatura non è (sono) adatta (adatte) per l'illuminazione domestica. L'obiettivo previsto per questa lampada è quello di assistere l'utente in fase di posizionamento degli alimenti all'interno del frigorifero / congelatore in modo sicuro e comodo. Le lampadine utilizzate in questo apparecchio devono sopportare condizioni fisiche estreme come temperature inferiori a -20°C.

# Inversione degli sportelli

Procedere in ordine numerico.



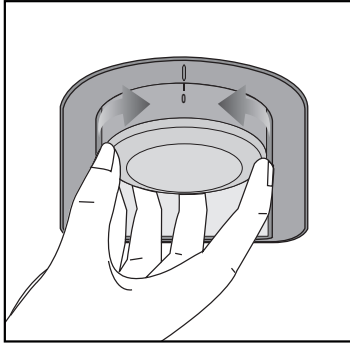
## 4 Preparazione

---

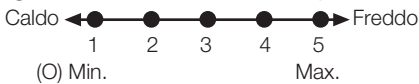
- i** Il frigorifero dovrà essere installato ad almeno 30 cm lontano da fonti di calore, come forni, riscaldamento centrale e stufe e ad almeno 5 cm da forni elettrici e non deve essere esposto alla luce diretta del sole.
- i** La temperatura ambiente della stanza in cui viene installato il frigorifero deve essere almeno 10°C . Usare il frigorifero in ambienti con temperatura inferiore non è consigliabile per motivi di efficienza.
- i** Assicurarsi che l'interno del frigorifero sia ben pulito.
- i** In caso di installazione di due frigoriferi l'uno accanto all'altro, devono esservi almeno 2 cm di distanza tra di loro.
- i** Quando il frigorifero viene messo in funzione per la prima volta, osservare le seguenti istruzioni per le prime sei ore.
  - La porta non si deve aprire frequentemente.
  - Deve funzionare vuoto senza alimenti all'interno.
  - Non staccare il frigo dalla presa di corrente. Se si verifica un calo di potenza al di là del controllo dell'utente, vedere le avvertenze nella sezione **“Soluzioni consigliate per i problemi”**.
- i** Conservare i materiali originali di imballaggio per futuri trasporti o spostamenti.

## 5 Utilizzo del frigorifero

### Impostazione della temperatura di funzionamento



La temperatura di funzionamento è regolata con il comando temperatura.



**1 = impostazione raffreddamento minimo (Impostazione più calda)**  
**5 = impostazione raffreddamento massimo (Impostazione più fredda)**  
(Oppure)

**Min. = impostazione raffreddamento minimo**  
(Impostazione più calda)

**Max. = impostazione raffreddamento massimo**  
(Impostazione più fredda)

La temperatura media all'interno del frigo dovrebbe essere intorno a +5°C.

Scegliere l'impostazione secondo la temperatura desiderata.

Si noti che ci saranno temperature diverse nell'area di raffreddamento.

La sezione più fredda è quella immediatamente sopra lo scomparto per le verdure.

La temperatura interna dipende anche dalla temperatura ambiente, dalla frequenza con cui lo sportello viene aperto e dalla quantità di cibo contenuto all'interno.

L'apertura frequente dello sportello provoca un aumento della temperatura interna.

Per questo motivo si consiglia di chiudere lo sportello subito dopo l'uso, il più velocemente possibile.

### Uso degli scomparti interni

**Mensole amovibili:** La distanza tra i ripiani può essere regolata quando necessario.

**Cassetto verdura:** Verdura e frutta possono essere conservate in questo scomparto per lunghi periodi, senza deteriorarsi.

**Ripiano bottiglie:** bottiglie, barattoli e lattine possono essere posti in questi ripiani.

### Raffreddamento

#### Conservazione alimenti

Lo scomparto frigo serve per la conservazione a breve termine di cibi freschi e bevande. Conservare i prodotti caseari nell'apposito scomparto del frigorifero.

Le bottiglie possono essere messe nel portabottiglie o nel ripiano per bottiglie dello sportello.

La carne cruda viene conservata al meglio in una busta in polietilene nello scomparto sul fondo del frigorifero.

Lasciare che i cibi e le bevande calde si raffreddino fino a temperatura ambiente prima di metterli nel frigorifero.

- **Attenzione**

Conservare l'alcol concentrato esclusivamente in posizione verticale e perfettamente chiuso.

- **Attenzione**

Non conservare sostanze esplosive o contenitori con gas propellenti infiammabili (panna in bomboletta, lattine spray, ecc.) nell'elettrodomestico. Pericolo di esplosioni.

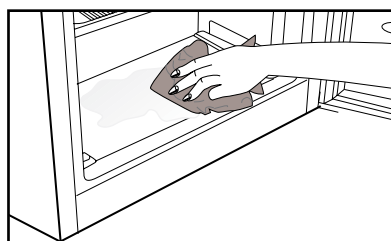
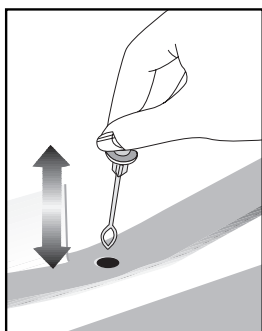
## Sbrinamento

Lo scomparto frigo si sbrina automaticamente. L'acqua di sbrinamento scorre attraverso il canale di drenaggio fino a un contenitore di raccolta sul retro dell'elettrodomestico.

Durante lo sbrinamento, si formano goccioline di acqua sul retro del frigo a causa dell'evaporatore.

Se le gocce non fluiscono tutte, potrebbero congelarsi di nuovo dopo lo sbrinamento; rimuoverle con un panno bagnato con acqua calda, ma mai con un oggetto duro o tagliente.

Controllare il flusso dell'acqua di sbrinamento di tanto in tanto: potrebbe bloccarsi.



## Arresto del prodotto

Se il termostato è dotato della posizione "0":

- Il prodotto smette di funzionare quando si porta il termostato in posizione "0" (zero). Il prodotto non si avvia a meno che non si porta di nuovo il termostato in posizione "1" o un'altra posizione.

Se il termostato è dotato della posizione "min":

- Scollegare il prodotto per arrestarlo.

## 6 Manutenzione e pulizia

---

- ⚠ Non usare mai gasolio, benzene o sostanze simili per scopi di pulizia.
- ⚠ È consigliato scollegare l'apparecchio prima della pulizia.
- ⚠ Non utilizzare mai attrezzi appuntiti o sostanze abrasive, saponi, detergenti per la casa o cere per la pulizia.
- ℹ Utilizzare acqua tiepida per pulire l'alloggiamento del frigorifero e asciugarlo.
- ℹ Utilizzare un panno umido intriso di una soluzione composta da un cucchiaino di bicarbonato di soda e da circa mezzo litro di acqua e pulire l'interno, quindi asciugare.
- ⚠ Assicurarsi che l'acqua non penetri nel quadro di comando della temperatura.
- ⚠ Se il frigorifero non viene usato per un lungo periodo di tempo, scollegare il cavo di alimentazione, rimuovere tutti gli alimenti dal suo interno, pulirlo e lasciare lo sportello aperto.
- ℹ Controllare le guarnizioni dello sportello periodicamente per garantire che siano pulite e che non siano presenti particelle di alimenti.
- ⚠ Per rimuovere le rastrelliere dello sportello, rimuovere tutto il contenuto e spingere semplicemente le rastrelliere verso l'alto.

- ⚠ Non utilizzare mai agenti di pulizia o acqua contenente cloro per pulire le superfici esterne e le parti rivestite in cromo dell'apparecchio. Il cloro provoca corrosione su tali superfici di metallo.

### Protezione delle superfici di plastica

- ℹ Non inserire oli liquidi o piatti cotti in olio nel frigorifero se in contenitori non sigillati poiché questi possono danneggiare le superfici in plastica del frigorifero. In caso di fuoriuscita di olio sulle superfici in plastica, pulire e asciugare le parti della superfici con acqua tiepida.

## 7 Soluzioni consigliate per i problemi

Prima di chiamare il servizio assistenza, rivedere la lista precedente. Si risparmierà tempo e denaro. Questa lista comprende frequenti reclami che non derivano da difetti di lavorazione o dai materiali utilizzati. Alcune delle funzioni descritte qui potrebbero non esistere nel proprio prodotto.

### Il frigorifero non funziona.

- Il frigorifero è correttamente collegato alla corrente? Inserire la spina nella presa a muro.
- Il fusibile della presa a cui è collegato il frigorifero è funzionante o il fusibile principale è saltato? Controllare il fusibile.

### Condensa sulla parete laterale dello scomparto frigo (MULTIZONE, COOL CONTROL e FLEXI ZONE).

- Ambiente in condizioni molto fredde. Apertura e chiusura frequente della porta
- Ambiente in condizioni molto umide Conservazione del cibo contenente liquidi in contenitori aperti. Porta lasciata aperta. Portare il termostato a temperatura inferiore.
- Diminuire il tempo di apertura della porta o aprirla meno frequentemente.
- Coprire il cibo contenuto in contenitori aperti con materiale adatto.
- Asciugare la condensa con un panno asciutto e controllare se continua.

### Il compressore non funziona.

- La protezione termica del compressore è inattiva in caso di mancanza di corrente o di mancato collegamento alla presa, se il sistema refrigerante non è ancora stato regolato. Il frigorifero comincerà a funzionare dopo circa 6 minuti. . Chiamare il servizio assistenza se il frigorifero non inizia a funzionare al termine di questo periodo.
- Il frigorifero è nel ciclo di sbrinamento. Si tratta di una cosa per un frigorifero con sbrinamento completamente automatico. Il ciclo di sbrinamento si verifica periodicamente.
- L'elettrodomestico non è collegato alla presa. Accertarsi che la spina sia inserita in modo corretto nella presa.
- Le regolazioni di temperatura sono eseguite correttamente?
- Potrebbe esserci un'assenza di corrente.



Il freezer funziona frequentemente o per lunghi periodi.

- Il nuovo frigorifero è più grande del precedente. Ciò è abbastanza normale. I grandi frigoriferi lavorano per lunghi periodi di tempo.
- La temperatura ambiente può essere alta. Ciò è abbastanza normale.
- Il frigorifero è stato collegato alla presa di recente o è stato riempito di cibo. Lo sbrinamento completo del frigorifero può durare un paio d'ore.
- Grandi quantità di cibo caldo sono state recentemente inserite. I cibi caldi devono essere raffreddati fino alla temperatura ambiente prima di essere riposti nel frigorifero.
- La porta del freezer rimane aperta per un lungo periodo o le porte sono state aperte di frequente. L'aria tiepida entrata nel frigorifero ne provoca il funzionamento per un periodo più lungo. Aprire le porte meno frequentemente.
- La porta del frigorifero o del freezer è stata lasciata aperta. La/e porta/e non si chiude/chiudono.
- Il frigo è regolato a temperatura molto bassa. Regolare la temperatura del frigorifero ad un livello più alto e attendere fino a che la stessa sia acquisita.
- La chiusura della porta del frigorifero o del freezer può essere usurata, rotta o non inserita in modo appropriato. Pulire o sostituire la guarnizione. Guarnizioni rotte o danneggiate provocano il funzionamento del frigo per periodi più lunghi per mantenere la temperatura corrente.

La temperatura ambiente è molto bassa mentre la temperatura del frigorifero è sufficiente.

- Il frigo è regolato a temperatura molto bassa. Regolare la temperatura ad un livello più alto e controllare.

La temperatura ambiente è molto bassa mentre la temperatura del freezer è sufficiente.

- Il frigorifero potrebbe essere stato regolato a temperatura molto bassa. Regolare la temperatura ad un livello più alto e controllare.

Il cibo che è nei cassetti dello scomparto frigo si sta congelando.

- Il frigorifero potrebbe essere stato regolato a temperatura molto bassa. Regolare la temperatura ad un livello più alto e controllare.

La temperatura del frigo o freezer è molto alta.

- Il frigorifero potrebbe essere stato regolato a temperatura molto alta. La regolazione del frigorifero provoca effetti sulla temperatura del freezer. Cambiare la temperatura di frigo o freezer fino a che essa non raggiunge un livello sufficiente.
- La porta del freezer rimane aperta per un lungo periodo o le porte sono state aperte di frequente; aprire con minore frequenza.
- La porta potrebbe essere rimasta aperta; chiudere la porta completamente.
- Grandi quantità di cibo caldo sono state recentemente inserite. Attendere fino a che il frigorifero o freezer non raggiungono la temperatura desiderata.
- Il frigorifero è stato collegato alla presa di recente. Lo sbrinamento completo del frigorifero ha bisogno di tempo.

Il rumore aumenta quando il frigorifero sta lavorando.

- La performance operativa del frigorifero può cambiare secondo i cambiamenti della temperatura ambiente. Si tratta di una cosa normale e non di un guasto.

Vibrazioni o rumore.

- Il pavimento non è orizzontale o è debole. Il frigorifero ondeggia quando si sposta lentamente. Accertarsi che il pavimento sia in piano e forte abbastanza da supportare il frigorifero.
- Il rumore potrebbe essere provocato dagli oggetti nel frigorifero. Bisogna rimuovere gli oggetti sopra al frigorifero.

Ci sono rumori che provengono dal frigorifero come gocciolamenti o spruzzo di liquidi.

- Il flusso di liquido e gas si verifica secondo i principi operativi del frigorifero. Si tratta di una cosa normale e non di un guasto.

C'è un rumore come vento che soffia.

- Le ventole sono usate per raffreddare il frigorifero. Si tratta di una cosa normale e non di un guasto.

Condensa sulla parete interna del frigorifero.

- Il clima caldo/umido aumenta il ghiaccio e la condensa. Si tratta di una cosa normale e non di un guasto.
- Le porte potrebbero essere state lasciate aperte; assicurarsi che sono completamente chiuse.
- La porta del freezer rimane aperta per un lungo periodo o le porte sono state aperte di frequente; aprire con minore frequenza.

Umidità al di fuori del frigorifero o tra le porte.

- Potrebbe esserci umidità nell'aria; questo è normale nei climi umidi. Al diminuire dell'umidità, la condensa scompare.

Odore cattivo dentro al frigorifero.

- L'interno del frigorifero deve essere pulito. Pulire l'interno con una spugna, acqua tiepida o carbonata.
- Alcuni contenitori o alcuni materiali per la confezione possono provocare odori. Usare contenitori diversi o marche diverse.

La porta non è chiusa.

- Il cibo impedisce la chiusura della porta. Sostituire le confezioni che ostruiscono la porta.
- Il frigorifero non è completamente verticale sul pavimento e rotola quando è spostato leggermente. Regolare le viti di elevazione.
- Il pavimento non è orizzontale o forte. Accertarsi che il pavimento sia in piano, forte e in grado di supportare il frigorifero.

Gli scomparti frutta e verdura sono bloccati.

- Il cibo potrebbe toccare il tetto del cassetto. Risistemare il cibo nel cassetto.





[www.beko.com](http://www.beko.com)

4578336545/AA  
EN,FR,DA,SV,NO,FI,ES,IT

## Free Manuals Download Website

<http://myh66.com>

<http://usermanuals.us>

<http://www.somanuals.com>

<http://www.4manuals.cc>

<http://www.manual-lib.com>

<http://www.404manual.com>

<http://www.luxmanual.com>

<http://aubethermostatmanual.com>

Golf course search by state

<http://golfingnear.com>

Email search by domain

<http://emailbydomain.com>

Auto manuals search

<http://auto.somanuals.com>

TV manuals search

<http://tv.somanuals.com>