

OWNER'S MANUAL

MAINTENANCE

IF THE TOOL DOES NOT RUN
First check your electric outlet by plugging in another tool or lamp. If you find that you do not have electric current, check for blown fuses. If current is present, check plugs and sockets for tight connections. If the tool still will not run, take or send it to a Black & Decker Service Center or other qualified service organization for checking and repair. Do not attempt any repair on your own.

CLEANING

Use only mild soap and a damp cloth to clean the tool. Many household cleaners contain chemicals which could seriously damage the plastic. Also, do not use gasoline, turpentine, lacquer or paint thinner, dry cleaning fluids or similar products. Never let any liquid get inside the tool; never immerse any part of the tool into a liquid.

IMPORTANT

To assure product **SAFETY** and **RELIABILITY**, repairs, maintenance and adjustment should be performed by **BLACK & DECKER** Service Centers or other qualified service organizations, always using Black & Decker replacement parts. When servicing Double-Insulated Tools, it is extremely important that **ONLY IDENTICAL REPLACEMENT PARTS BE USED** and that **REASSEMBLY OF TOOL IS IDENTICAL TO THE ORIGINAL ASSEMBLY**.

GUARANTEE

Black & Decker guarantees, for one year from date of purchase, to correct by repair or parts replacement without charge any defect due to faulty material or workmanship. Simply return the complete unit, transportation prepaid, to any Black & Decker Service Center or Authorized Service Station. Naturally, we assume no responsibility for damage caused by misuse, careless handling or where repairs have been made or attempted by others.

No other guarantees, written or verbal, are authorized by us.



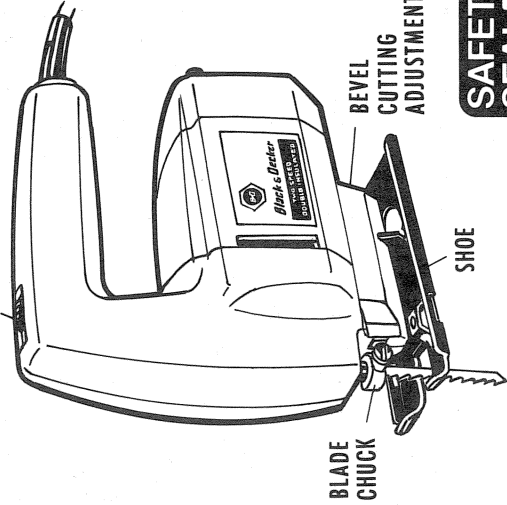
THE BLACK & DECKER MFG. CO.
Towson, Md. 21204, U.S.A.

Form No. 722066

(D7-AL) Printed in U.S.A.



TWO SPEED SWITCH



BLADE CHUCK

BEVEL CUTTING ADJUSTMENT



Your New 2-Speed Jig Saw lets you select the speed to suit the job . . . high speed for wood and composition boards and low speed for metal and plastics. Its calibrated tilting shoe helps you make bevel cuts at any angle up to 45°. **DOUBLE-INSULATION** in the tool gives added electrical safety.

For personal safety and for proper operation of the Jig Saw, please take the time to carefully read all of the safety rules and instructions in this booklet. Don't forget to send in the guarantee registration card. **THANK YOU** for buying **BLACK & DECKER!**

No. 6700 2-SPEED JIG SAW

* **DOUBLE INSULATED** *

Capacity: 1" Hardwood, 1½" Softwood
120 Volts A.C. 2.3 Amps.

2500 or 3200 Strokes per Minute

Black & Decker. JIG SAW



SAFETY RULES FOR POWER TOOLS

- KNOW YOUR POWER TOOL** — Read owner's manual carefully. Learn its applications and limitations as well as the specific potential hazards peculiar to this tool.
- KEEP GUARDS IN PLACE** and in working order.
- KEEP WORK AREA CLEAN.** Cluttered areas and benches invite accidents.
- AVOID DANGEROUS ENVIRONMENT.** Don't use power tool in damp or wet locations. And keep work area well lit.
- KEEP CHILDREN AWAY.** All visitors should be kept safe distance from work area.
- STORE IDLE TOOLS.** When not in use, tools should be stored in dry, high or locked-up place — out of reach of children.
- DON'T FORCE TOOL.** It will do the job better and safer at the rate for which it was designed.
- USE RIGHT TOOL.** Don't force small tool or attachment to do the job of a heavy duty tool.
- WEAR PROPER APPAREL.** No loose clothing or jewelry to get caught in moving parts. Rubber gloves and footwear are recommended when working outdoors.
- USE SAFETY GLASSES** with most tools. Also face or dust mask if cutting operation is dusty.
- DON'T ABUSE CORD.** Never carry tool by cord or yank it to disconnect from receptacle. Keep cord from heat, oil and sharp edges.
- SECURE WORK.** Use clamps or a vise to hold work. It's safer than using your hand and it frees both hands to operate tool.
- DON'T OVERREACH.** Keep proper footing and balance at all times.
- MAINTAIN TOOLS WITH CARE.** Keep tools sharp at all times, and clean for best and safest performance. Follow instructions for lubricating and changing accessories.
- DISCONNECT TOOLS.** When not in use, before servicing; when changing accessories such as blades, bits, cutters, etc.
- REMOVE ADJUSTING KEYS AND WRENCHES.** Form habit of checking to see that keys and adjusting wrenches are removed from tool before turning it on.
- AVOID ACCIDENTAL STARTING:** Don't carry plugged-in tool with finger on switch.

WHEN SAWING, never reach under or behind the material being cut for any reason.

MOTOR

Your Black and Decker tool is powered by a B&D-built motor. Be sure your power supply agrees with nameplate marking. **120 Volts 50/60 Hz** means **Alternating Current** (normal 120 volt, 60 cycle house current). Voltage variation of more than 10% will cause loss of power and over-heating. All B&D tools are factory-tested; if this tool does not operate, check the supply line for blown fuses; plug and receptacle for contact.

DOUBLE-INSULATION

Your tool is **DOUBLE-INSULATED** to give you added safety. This means that it is constructed throughout with **TWO** separate "layers" of electrical insulation or one **DOUBLE** thickness of insulation between you and the tool's electrical system.

Tools built with this improved insulation system are not intended to be grounded. As a result, your tool is equipped with a two-prong plug which permits you to use any conventional 120 volt electrical outlet without concern for maintaining a ground connection.

NOTE: **DOUBLE-INSULATION** does not take the place of normal safety precautions when operating this tool. The improved insulation system is for added protection against injury resulting from a possible electrical insulation failure within the tool. **CAUTION:** When servicing Double-Insulated Tools, it is extremely important that **ONLY IDENTICAL REPLACEMENT PARTS BE USED.**

EXTENSION CORD

When using the tool at a considerable distance from the power source, an extension cord of adequate size must be used for safety, and to prevent loss of power and over-heating. Use the table below to determine minimum wire size required.

Before using cords, inspect them for loose or exposed wires and damaged insulation. Make any needed repairs or replacement before using your power tool.

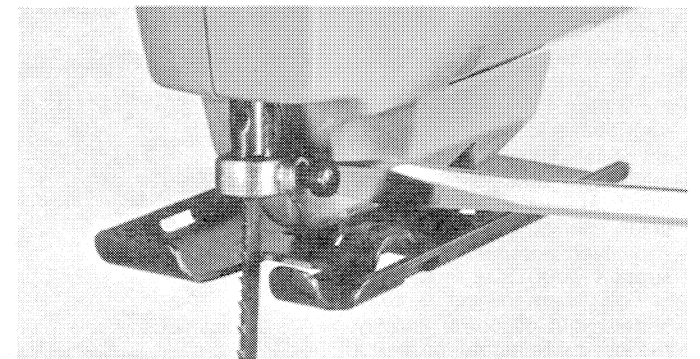
Extension Cord Length	Up to	100 Ft.	150 Ft.	
	75 Ft.	to 125 Ft.	to 200 Ft.	
Minimum	{ 120 Volt Tools	18	16	14
Wire Size*	{ 220 Volt Tools	18	18	16

* American Wire Gauge

LUBRICATION

After every 15 hours of actual running time, place 2 drops of machine oil in the oil hole located in the side of the tool near the front. It is recommended that, at least once a year, you take or send the tool to a B&D Service Center for a thorough cleaning, inspection and lubrication of the gear case.

ATTACHING BLADES



Disconnect tool from extension cord or wall receptacle. Loosen screw at side of chuck with screwdriver. Insert blade in chuck as far as it will go (about ½"). Tighten screw until it is firm against blade.

Your B&D Dealer carries a wide selection of Jig Saw Blades for cutting many kinds of materials. These include wood, metal, plastics, fiberglass, formica, asbestos, slate, etc.

Black & Decker. JIG SAW

SWITCH

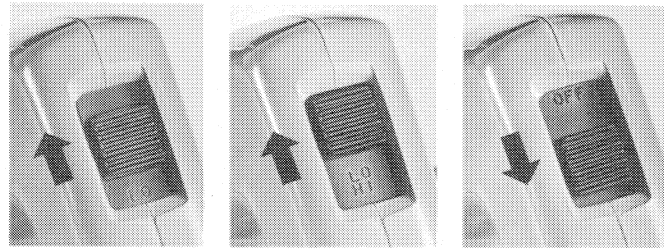


FIGURE 1

FIGURE 2

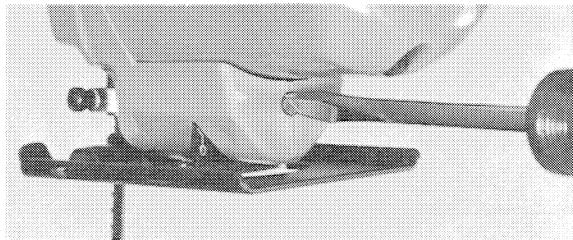
FIGURE 3

Push the Switch Button forward to turn the saw "ON". As you push the button forward it will first click into a position exposing the letters "LO" (Figure 1). This is the low speed position for cutting metals and plastics.

Pushing the button farther forward until it clicks again will expose the letters "HI" (Figure 2). This is the high speed position for cutting woods and composition boards.

Pulling the switch button all the way back turns the tool "OFF" (Figure 3).

BEVEL ADJUSTMENT



The Jig Saw Shoe may be tilted to permit bevel cutting at any angle from 0° to 45°. To change the angle of the shoe, loosen screw (see above) and tilt shoe to desired cutting angle with blade. Retighten screw. Cutting angles of 0° and 45° are indicated on the left side, raised portion of shoe when viewed from rear of saw.

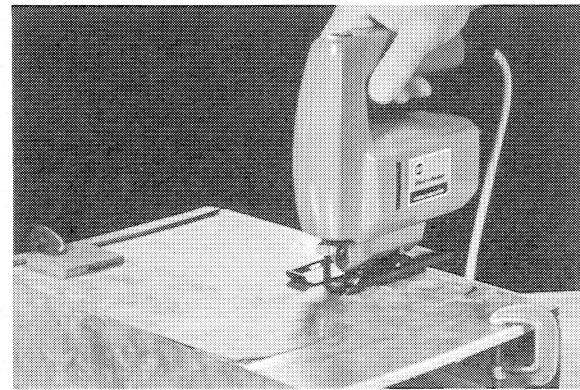
WOOD CUTTING

Be sure board is firmly positioned. Hold Jig Saw by the convenient overhead handle and operate switch to turn the unit on. Don't attempt to turn on when blade is against material to be cut. This could stall the motor. Place front of shoe on material to be cut and hold Jig Saw shoe down firmly against the wood while cutting. Don't force the tool; let the blade cut at its own speed. Whenever possible, clamp or support work close to the line of cut; when the cut is completed, shut off power and lay the saw aside before loosening the work.



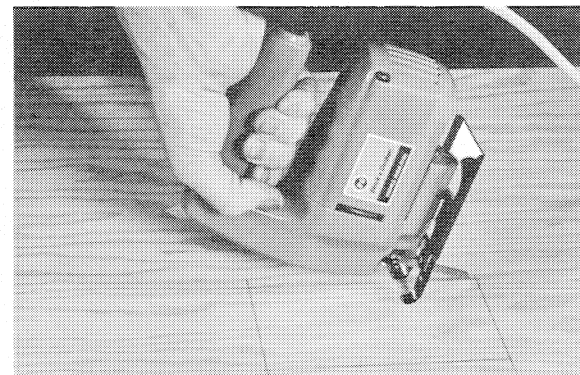
CAUTION: When sawing into walls, floors or wherever "live" electrical wires may be encountered, DO NOT TOUCH ANY METAL PARTS OF THE TOOL! Hold the Jig Saw only by its plastic handle to prevent electric shock if you saw into a "live" wire.

METAL CUTTING



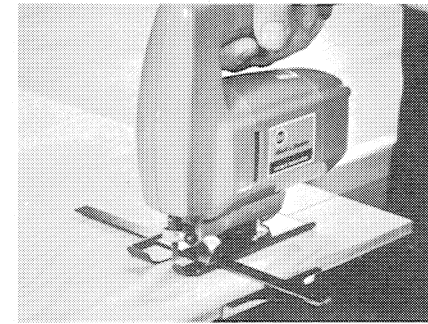
In cutting thin gage sheet metals it is best to clamp wood or plywood to bottom of metal sheet, this will insure a clean cut without the danger of vibration or tearing of metal. Always remember to use a finer blade for ferrous metals (those that have an iron content). Use a coarser blade for non-ferrous metals (those that do not have an iron content).

POCKET CUTTING



A pocket cut is an easy method of making an inside cut. The saw can be inserted directly into a panel or board without first drilling a lead or pilot hole. In pocket cutting measure the surface to be cut and mark clearly with a pencil. Next tip the saw forward until the front edge of the shoe sits firmly on the work surface. Switch the tool on and allow it to attain maximum speed. Grip the handle firmly and lower the back edge of tool until the blade cuts smoothly into material. Always be sure blade reaches its complete depth before starting to cut.

RIP & CIRCLE CUTTING

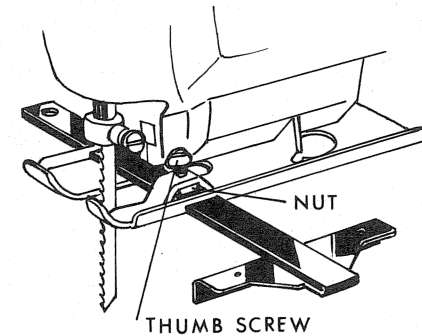


RIPPING



CIRCLE CUTTING

Ripping and circle cutting without a pencil line are easily done with the No. U-2151 Accessory Rip Fence and Circle Guide. (The attachment of this Accessory is explained in the drawing below.) When ripping; insert rip fence in either side of saw; adjust to width of cut and tighten thumb screw. When circle cutting, insert rip fence from either side with cross bar facing up; adjust rip fence so that distance from blade to hole in cross bar is the desired radius and tighten thumb screw; place saw so that center of hole in cross bar is over center of circle to be cut (make pocket cut, drill hole for blade or cut inward from edge of material to get blade into position). When saw is properly positioned, drive a small nail through hole of cross-bar into exact center of circle to be cut. Using rip fence as a pivot arm, begin cutting circle.



The Nut and Thumb Screw shown above are included with this Accessory. Hold the nut in the position shown and thread the thumb screw into it just enough to hold the nut loosely in position.

Pull up on the thumb screw and slide the Rip Fence under the nut from either side of the Saw. Set the cross bar at desired distance from blade and tighten thumb screw. For ripping the cross bar should be down as shown. For circle cutting the cross bar should be up.

JIG SAW BLADES

	Material To Be Cut	Type of Cut	Speed of Cut	Teeth Per Inch	Blade Length	B&D Cat. No.
	Soft and hard wood	Rough	Fastest	7	3"	54368
	Soft and hard wood, plywood	Medium	Medium	10	3"	54369
	Soft and hard wood, plywood	Smooth	Medium	7	3"	54370
	Soft and hard wood, plywood	Smooth	Medium	10	4 1/4"	39754
	Soft and hard wood, plywood	Smooth	Medium	6	4 1/4"	39755
	Soft and hard wood, plywood	Smooth	Medium	6	4 1/4"	39756
	Plywood and veneers	Fine	Medium	10	3"	49492
	Plywood	Medium Fine	Medium Fast	7	3"	49493
	Plywood	Medium	Fast	5	3"	49494
	Plaster, lath	Rough	Fast	9	3 3/4"	31004
	Soft and hard wood, plywood	Smooth	Medium	10	4"	39757
	Soft and hard wood, plywood	Coarse	Fast	6	4"	39758
	Soft and hard wood, plywood	Fine	Medium	10	2 1/2"	58148
	Non-ferrous metals	Fine	Slow	14	3"	49490
	Ferrous (iron) metals	Fine	Slow	32	3"	49491
	Leather, rubber, compositions	Smooth	Fast	Knife Edge	3"	31005
	Plywood, plastics	Medium	Fast	5	3"	58145
	Most wood and fiber building materials	Rough	Fast	7	3"	58146
		Medium	Medium	10	3"	58147
	Wood and plywood	Rough	Fast	7	3"	58149
	Wood, Plastics up to 4" thick	Rough	Fast	3	6"	31002
	Wood up to 4" thick	Medium	Medium	7	6"	31003

CAUTION: Recommended saw blades and accessories for your Saw are listed above and at left. The use of any other type of blade or accessory might be hazardous.

Free Manuals Download Website

<http://myh66.com>

<http://usermanuals.us>

<http://www.somanuals.com>

<http://www.4manuals.cc>

<http://www.manual-lib.com>

<http://www.404manual.com>

<http://www.luxmanual.com>

<http://aubethermostatmanual.com>

Golf course search by state

<http://golfingnear.com>

Email search by domain

<http://emailbydomain.com>

Auto manuals search

<http://auto.somanuals.com>

TV manuals search

<http://tv.somanuals.com>