



# 4-1/2 inch Angle Grinder

## INSTRUCTION MANUAL

Catalog Number 7750

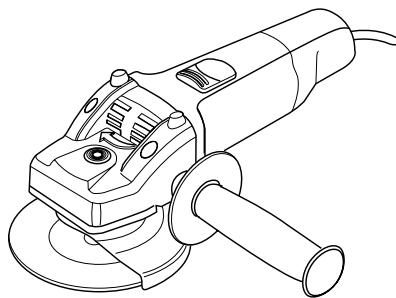
BEFORE RETURNING THIS PRODUCT FOR ANY REASON PLEASE CALL

1-800-54-HOW-TO (544-6986)

IF YOU SHOULD EXPERIENCE A PROBLEM WITH YOUR BLACK & DECKER PURCHASE, CALL 1-800-54-HOW-TO (1-800-544-6986). IN MOST CASES, A BLACK & DECKER REPRESENTATIVE CAN RESOLVE YOUR PROBLEM OVER THE PHONE. IF YOU HAVE A SUGGESTION OR COMMENT, GIVE US A CALL. YOUR FEEDBACK IS VITAL TO THE SUCCESS OF BLACK & DECKER'S QUALITY IMPROVEMENT PROGRAM.

### KEY INFORMATION YOU SHOULD KNOW:

- Wait until tool reaches full speed before applying to work. Remove from work and allow to stop before setting down.
- Hold grinder at proper angle, as shown in figures 11 and 12.



### SAVE THIS MANUAL FOR FUTURE REFERENCE.

VEA EL ESPAÑOL EN LA CONTRAPORTADA. INSTRUCTIVO DE OPERACIÓN, CENTROS DE SERVICIO Y PÓLIZA DE GARANTÍA. ADVERTENCIA: LEÁSE ESTE INSTRUCTIVO ANTES DE USAR EL PRODUCTO.

CAT. NO. 7750 FORM NO. 581596-00 PRINTED IN CHINA (MAR - 02)

### GENERAL SAFETY RULES

**WARNING:** Read and understand all instructions. Failure to follow all instructions listed below may result in electric shock, fire and/or serious personal injury.

### SAVE THESE INSTRUCTIONS

#### WORK AREA

- **Keep your work area clean and well lit.** Cluttered benches and dark areas invite accidents.
- **Do not operate power tools in explosive atmospheres, such as in the presence of flammable liquids, gases, or dust.** Power tools create sparks which may ignite the dust or fumes.
- **Keep bystanders, children, and visitors away while operating a power tool.** Distractions can cause you to lose control.

#### ELECTRICAL SAFETY

- **Double insulated tools are equipped with a polarized plug (one blade is wider than the other). This plug will fit in a polarized outlet only one way. If the plug does not fit fully in the outlet, reverse the plug. If it still does not fit, contact a qualified electrician to install a polarized outlet. Do not change the plug in any way.** Double insulation eliminates the need for the three wire grounded power cord and grounded power supply system.
- **Avoid body contact with grounded surfaces such as pipes, radiators, ranges and refrigerators.** There is an increased risk of electric shock if your body is grounded.
- **Don't expose power tools to rain or wet conditions.** Water entering a power tool will increase the risk of electric shock.
- **Do not abuse the cord. Never use the cord to carry the tools or pull the plug from an outlet. Keep cord away from heat, oil, sharp edges or moving parts. Replace damaged cords immediately.** Damaged cords increase the risk of electric shock.
- **When operating a power tool outside, use an outdoor extension cord marked "W-A" or "W".** These cords are rated for outdoor use and reduce the risk of electric shock.

#### PERSONAL SAFETY

- **Stay alert, watch what you are doing and use common sense when operating a power tool. Do not use tool while tired or under the influence of drugs, alcohol, or medication.** A moment of inattention while operating power tools may result in serious personal injury.
- **Dress properly. Do not wear loose clothing or jewelry. Contain long hair. Keep your hair, clothing, and gloves away from moving parts.** Loose clothing, jewelry, or long hair can be caught in moving parts. Air vents may cover moving parts and should be avoided.
- **Avoid accidental starting. Be sure switch is off before plugging in.** Carrying tools with your finger on the switch or plugging in tools that have the switch on invites accidents.
- **Remove adjusting keys or wrenches before turning the tool on.** A wrench or key that is left attached to a rotating part of the tool may result in personal injury.
- **Do not overreach. Keep proper footing and balance at all times.** Proper footing and balance enables better control of the tool in unexpected situations.
- **Use safety equipment. Always wear eye protection.** Dust mask, non-skid safety shoes, hard hat, or hearing protection must be used for appropriate conditions.

#### TOOL USE AND CARE

- **Use clamps or other practical way to secure and support the workpiece to a stable platform.** Holding the work by hand or against your body is unstable and may lead to loss of control.
- **Do not force tool. Use the correct tool for your application.** The correct tool will do the job better and safer at the rate for which it is designed.
- **Do not use tool if switch does not turn it on or off.** Any tool that cannot be controlled with the switch is dangerous and must be repaired.
- **Disconnect the plug from the power source before making any adjustments, changing accessories, or storing the tool.** Such preventative safety measures reduce the risk of starting the tool accidentally.
- **Store idle tools out of reach of children and other untrained persons.** Tools are dangerous in the hands of untrained users.
- **Maintain tools with care. Keep cutting tools sharp and clean.** Properly maintained tools, with sharp cutting edges are less likely to bind and are easier to control.
- **Check for misalignment or binding of moving parts, breakage of parts, and any other**

condition that may affect the tools operation. If damaged, have the tool serviced before using. Many accidents are caused by poorly maintained tools.

- **Use only accessories that are recommended by the manufacturer for your model.** Accessories that may be suitable for one tool, may become hazardous when used on another tool.

#### SERVICE

- **Tool service must be performed only by qualified repair personnel.** Service or maintenance performed by unqualified personnel could result in a risk of injury.
- **When servicing a tool, use only identical replacement parts. Follow instructions in the Maintenance section of this manual.** Use of unauthorized parts or failure to follow Maintenance Instructions may create a risk of electric shock or injury.

#### SPECIFIC SAFETY RULES

- **Always use proper guard with grinding wheel.** A guard protects operator from broken wheel fragments. Always position the guard so that as much of the exposed disc as possible is pointing away from you.
- **Accessories must be rated for at least the speed recommended on the tool warning label.** Wheels and other accessories running over rated speed can fly apart and cause injury.
- **Hold tool by insulated gripping surfaces when performing an operation where the cutting tool may contact hidden wiring or its own cord.** Contact with a "live" wire will make exposed metal parts of the tool "live" and shock the operator.

#### ADDITIONAL SAFETY RULES

- **ALWAYS WEAR EYE PROTECTION.**
- **Wear ear protection. noise level may be amplified when grinding in enclosed spaces.**
- **KEEP GUARDS IN PLACE WHEN GRINDING.**
- **Use only accessories having a maximum operating speed at least as high as the speed specified in the warning on the tool's label. NEVER use Type 11 (Flaring Cup) wheels on this tool.**
- **Before using, inspect recommended accessory for cracks or flaws. If such a crack or flaw is evident, discard the accessory. The accessory should also be inspected whenever you think the tool may have been dropped.**
- **When starting the tool (with a new or replacement wheel or brush installed) hold the tool in a well protected area and let it run for one minute. If the wheel or brush has an undetected crack or flaw, it should burst or separate in less than one minute. Never start the tool with a person in line with the accessory. This includes the operator.**
- **In operation, avoid bouncing the wheel or giving it rough treatment. If this occurs, stop the tool and inspect the wheel.**
- **ALWAYS USE GUARDS** with grinding wheels and wire cup brushes. Sanding discs and flat wire brushes may be used without guards. Always position the guard so that as much of the exposed wheel or wire brush as possible is pointing away from you.
- **Always wear eye, face and body protection when brushing.** Brush filaments may break and be thrown at operator.
- **Clean your tool out periodically.**
- **Do not use Type 1 cutting or diamond wheels. Proper guards are not available. Use conventional Type 27 depressed center (non-hubbed) wheels only.**

**CAUTION:** Use extra care when grinding into a corner as a sudden, sharp, movement of the grinder may be experienced when the wheel contacts a secondary surface.

**WARNING:** Some dust created by power sanding, sawing, grinding, drilling, and other construction activities contains chemicals known to cause cancer, birth defects or other reproductive harm. Some examples of these chemicals are:

- lead from lead-based paints,
- crystalline silica from bricks and cement and other masonry products, and
- arsenic and chromium from chemically-treated lumber. (CCA)

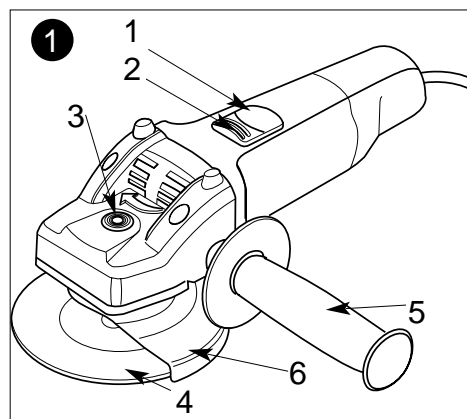
Your risk from these exposures varies, depending on how often you do this type of work. To reduce your exposure to these chemicals: work in a well ventilated area, and work with approved safety equipment, such as those dust masks that are specially designed to filter out microscopic particles.

- **Avoid prolonged contact with dust from power sanding, sawing, grinding, drilling, and other construction activities. Wear protective clothing and wash exposed areas with soap and water.** Allowing dust to get into your mouth, eyes, or lay on the skin may promote absorption of harmful chemicals.

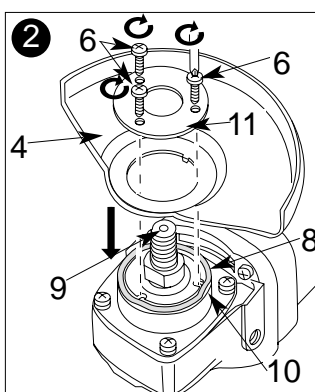
**CAUTION:** Wear appropriate hearing protection during use. Under some conditions and duration of use, noise from this product may contribute to hearing loss.

The label on your tool may include the following symbols.

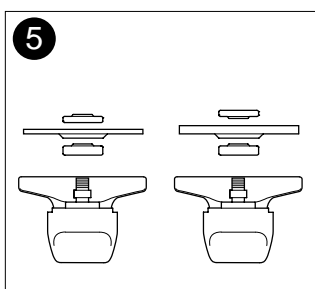
V .....	volts	A .....	amperes
Hz .....	hertz	W .....	watts
min .....	minutes	~ .....	alternating current
— .....	direct current	n <sub>o</sub> .....	no load speed
□ .....	Class II Construction	⊕ .....	earthing terminal
⚠ .....	safety alert symbol	.../min .....	revolutions or reciprocations per minute



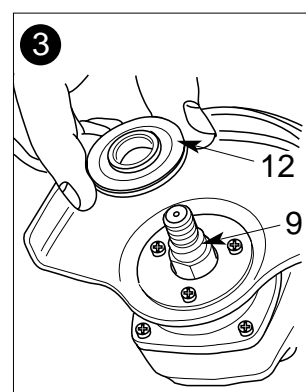
1.) ON/OFF SWITCH / INTERRUPTEUR COULISSANT / INTERRUPTOR DESLIZABLE



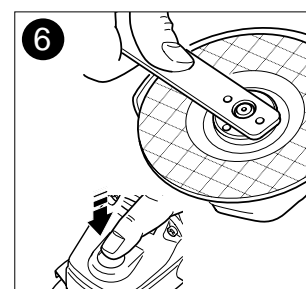
2.) LOCK-ON BUTTON / BOUTON DE VERROUILLAGE / BOTON DE ENCENDIDO PERMANENTE



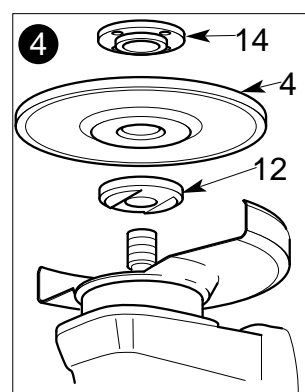
3.) SPINDLE LOCK BUTTON / BOUTON DE VERROUILLAGE D'ARBRE / BOTON DE SEGURO DE LA FLECHA



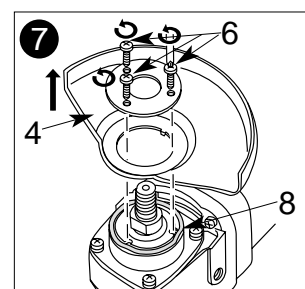
4.) ACCESSORY WHEEL / MEULE ACCESSOIRE / DISCO ACCESORIO

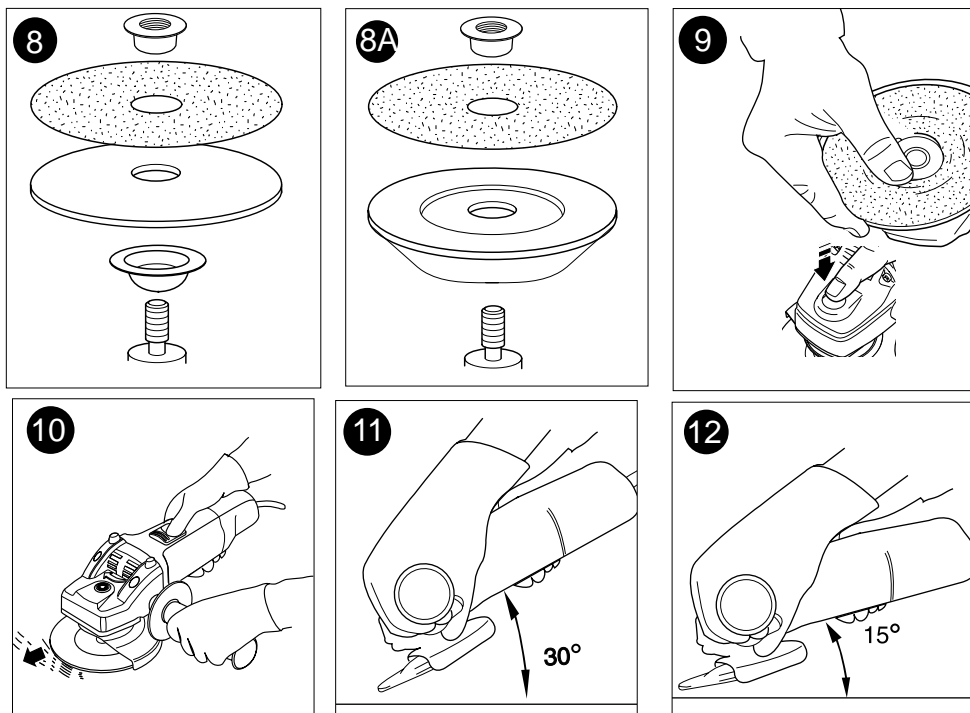


5.) AUXILIARY HANDLE / POIGNÉE AUXILIAIRE / MANGO AUXILIAR



6.) WHEEL GUARD / CARTER DE MEULE / GUARDA DEL DISCO





#### EXTENSION CORDS

When using an extension cord, be sure to use one heavy enough to carry the current your product will draw and is in good condition. An undersized cord will cause a drop in line voltage resulting in loss of power and overheating. The following table shows the correct size to use depending on cord length and nameplate ampere rating. If in doubt, use the next heavier gage. The smaller the gage number, the heavier the cord.

Volts	Minimum Gage for Cord Sets				
	Total Length of Cord in Feet				
120V	0-25	26-50	51-100	101-150	
240V	0-50	51-100	101-200	201-300	
Ampere Rating		American Wire Gage			
More Than	Not more Than				
0	- 6	18	16	16	14
6	- 10	18	16	14	12
10	- 12	16	16	14	12
12	- 16	14	12	Not Recommended	

#### MOTOR

Your Black & Decker tool is powered by a Black & Decker-built motor. Be sure your power supply agrees with nameplate marking. 120 Volts AC only means your tool will operate on standard 60 Hz household power. Do not operate AC tools on DC. A rating of 120 volts AC/DC means that you tool will operate on standard 60 Hz AC or DC power. This information is printed on the nameplate. Lower voltage will cause loss of power and can result in overheating. All Black & Decker tools are factory-tested; if this tool does not operate, check the power supply.

#### AUXILIARY HANDLE (FIG. 1)

An auxiliary handle (5) is furnished with your grinder and can be screwed into either side of the grinder housing. This handle **SHOULD BE USED AT ALL TIMES** to maintain complete control of the tool. **TIGHTEN SECURELY.**

#### STARTING AND STOPPING THE TOOL

To start the tool, slide the ON/OFF switch forward (1). For continuous operation, slide the switch (2) fully forward and press front end down. To stop the tool, release the ON/OFF switch. To stop the tool while running in continuous mode, press the rearward part of the switch.

**NOTE:** Do not switch the tool on or off while under load conditions. Allow the grinder to run up to full speed before touching the surface to be ground. Lift the tool from the surface before turning the tool off. **CAUTION:** Allow the tool to stop before setting down.

#### OVERLOAD

Overloading will cause damage to the motor of your angle grinder. This can happen if your angle grinder is subjected to heavy use for prolonged periods of time. Do not in any circumstances, attempt to exert too much pressure on your angle grinder to speed up your work. The abrasive accessories operate more efficiently when light pressure is exerted, thus avoiding a drop in the speed of your angle grinder.

## GRINDING AND WIRE BRUSHING

#### ATTACHING THE WHEEL GUARD (FIG. 2)

Turn off and unplug the tool. **NEVER GRIND OR BRUSH WITHOUT GUARD IN PLACE.**

- Place the angle grinder on a table, spindle (9) facing up.
- Placing the spring washer (8) over the spindle and locate it on the shoulder (10).
- Place the guard onto the tool as shown.
- Place the flange (11) over the spindle with the protrusions facing towards the guard. Make sure that the screws are tight and that the guard can be rotated.

#### FITTING DEPRESSED CENTER WHEELS (FIGS. 3,4,5,6)

Turn off and unplug the tool. **CAUTION:** Never use any grinding wheels without the proper guard.

- Ensure that the guard is fitted properly. Place the inner flange (12) on the spindle (9) as shown (Fig. 3). Ensure that it is located on the two flats.
- Place the grinding wheel (4) on the spindle (9) and inner flange (12) as shown Fig. 4.
- Fit the threaded outer flange (14) making sure it is facing in the correct direction for the type of wheel fitted. For thick grinding wheels Fig. 5, the flange (14) is fitted with the raised portion facing towards the wheel. For thin grinding wheels, the flange (14) is fitted with the inner portion facing away from the wheel.
- Press in the spindle lock button and rotate the spindle until it locks. Keeping the lock button pressed in, tighten the outer flange with the spanner wrench provided as shown in Fig. 6. Hubbed wheels do not require mounting flanges and may be tightened with standard wrenches.
- When using a depressed-center wheel, hold the tool so that an angle of approximately 30° exists between the wheel and the work.

**WARNING:** Check rated speed on depressed-center wheel. Never use a wheel with rated speed lower than the speed on the nameplate of the tool.

Note: Sanding flap discs are considered to be grinding wheels and must be used with guards.

#### FITTING WIRE BRUSHES

Wire cup brushes screw directly on the spindle of the machine without the use of flanges. When using wire brushes, thread firmly on spindle by hand. The guard may be removed for brushing with flat wire brushes.

#### EDGE GRINDING

Edge grinding may be done with Type 27 depressed center wheels specifically designed for this purpose. These wheels are available locally. They must not be subject to side pressure. **CAUTION:** Wheels used for edge grinding may break if they bend or twist while being used for cut-off work or deep grinding. To reduce the risk of serious injury, limit the use of these wheels to shallow cutting and notching (less than 1/2" in depth). The open side of the guard must be positioned away from the operator.

## SANDING

#### REMOVING THE WHEEL GUARD (FIG. 7 FOR SANDING AND USING FLAT WIRE BRUSHES.)

**TURN OFF AND UNPLUG THE TOOL.**

**NOTE:** To prevent loss of control, do not set tool down until accessory has completely stopped turning.

As shown in Fig. 7, place the grinder on a table, spindle up. Use a screwdriver to remove the

3 screws (6). Remove the flange (7), guard (4) and spring washer (8). Store these parts carefully.

#### PRECAUTIONS TO TAKE WHEN SANDING PAINT

- Sanding of lead based paint is **NOT RECOMMENDED** due to the difficulty of controlling the contaminated dust. The greatest danger of lead poisoning is to children and pregnant women.
- Since it is difficult to identify whether or not a paint contains lead without a chemical analysis, we recommend the following precautions when sanding any paint:

#### PERSONAL SAFETY

- No children or pregnant women should enter the work area where the paint sanding is being done until all cleanup is completed.
- A dustmask or respirator should be worn by all persons entering the work area. The filter should be replaced daily or whenever the wearer has difficulty breathing.

**NOTE: ONLY THOSE DUSTMASKS SUITABLE FOR WORKING WITH LEAD PAINT DUST AND FUMES SHOULD BE USED. ORDINARY PAINTING MASKS DO NOT OFFER THIS PROTECTION. SEE YOUR LOCAL HARDWARE DEALER FOR THE NIOSH APPROVED PROPER MASK.**

#### ENVIRONMENTAL SAFETY

- Paint should be removed in such a manner as to minimize the amount of dust generated.
- Areas where paint removal is occurring should be sealed with plastic sheeting of 4 mils thickness.
- Sanding should be done in a manner to reduce tracking of paint dust outside the work area.

#### FITTING ABRASIVE DISCS

**TURN OFF AND UNPLUG THE TOOL.**

Use an abrasive disc with a backing pad for sanding with your angle grinder.

- Remove the guard.
- Place the flange, (backing pad and abrasive disc sold separately) and outer flange on the spindle as shown in Figure 8. Figure 8A shows how to attach an abrasive disc with a rubber backing pad.
- Tighten the abrasive disc as shown in Figure 9 by depressing the spindle lock button and turning the abrasive disc by hand.

## GENERAL INFORMATION

#### HELPFUL HINTS

- Hold your angle grinder with one hand on the body and the other hand firmly around the side handle as shown in Figure 10.
- Always position the guard so that as much of the exposed disc as possible is pointing away from you.
- Be prepared for a stream of sparks when the disc touches the metal. Direct away from people and flammable materials.
- Maintain an angle between the disc and work surface (Fig. 11) of approximately 30° when grinding and 10°-15° when sanding ( Fig. 12) for best tool control, material removal, and minimal loading.

**WARNING:** Always wear eye protection while operating this power tool including face and body protection when brushing.

#### TOOL MAINTENANCE

**CLEANING:** Blowing dust and grit out of the motor housing using compressed air is a necessary maintenance procedure. Dust and grit containing particles from metal grinding often accumulate on interior surfaces and could create an electrical shock hazard if not cleaned out. Never use solvents or harsh chemicals, use only mild soap and damp cloth to clean the tool. Never let any liquid get inside the tool; never immerse any part of the tool into a liquid.

#### LUBRICATION

Black & Decker tools are properly lubricated at the factory and are ready for use. Tools should be lubricated regularly every year depending on usage. (Tools used on heavy duty jobs and tools exposed to heat may require more frequent lubrication.) This lubrication should be attempted only by trained power tool repairperson's such as those at Black & Decker service centers or in other qualified service personnel.

#### IMPORTANT

To assure product **SAFETY** and **RELIABILITY**, repairs, maintenance and adjustments should be performed by Black & Decker service centers or other qualified service personnel, always using Black & Decker replacement parts.

#### ACCESSORIES

Recommended accessories for use with your tool are available from your local dealer or authorized service center. If you need assistance regarding accessories, please call:

**1-800-54-HOW TO (1-800-544-6986).**

**WARNING:** The use of any accessory not recommended for use with this tool could be hazardous.

#### SERVICE INFORMATION

Black & Decker offers a full network of company-owned and authorized service locations throughout North America. All Black & Decker Service Centers are staffed with trained personnel to provide customers with efficient and reliable power tool service. Whether you need technical advice, repair, or genuine factory replacement parts, contact the Black & Decker location nearest you. To find your local service location, refer to the yellow page directory under "Tools—Electric" or call: **1-800-54-HOW-TO (1-800-544-6986).**

#### FULL TWO-YEAR HOME USE WARRANTY

Black & Decker (U.S.) Inc. warrants this product for two years against any defects in material or workmanship. The defective product will be replaced or repaired at no charge in either of two ways.

The first, which will result in exchanges only, is to return the product to the retailer from whom it was purchased (provided that the store is a participating retailer). Returns should be made within the time period of the retailer's policy for exchanges (usually 30 to 90 days after the sale). Proof of purchase may be required. Please check with the retailer for their specific return policy regarding returns that are beyond the time set for exchanges.

The second option is to take or send the product (prepaid) to a Black & Decker owned or authorized Service Center for repair or replacement at our option. Proof of purchase may be required. Black & Decker owned and authorized Service Centers are listed under "Tools—Electric" in the yellow pages of the phone directory.

This warranty does not apply to accessories. This warranty gives you specific legal rights and you may have other rights which vary from state to state. Should you have any questions, contact the manager of your nearest Black & Decker Service Center. This product is not intended for commercial use.

**FREE WARNING LABEL REPLACEMENT:** If your warning labels become illegible or are missing, call 1-800-544-6986 for a free replacement.

Black & Decker (U.S.) Inc.,  
701 E. Joppa Rd.  
Towson, MD 21286 U.S.A.



See "Tools-Electric"  
- Yellow Pages -  
for Service & Sales



**AVANT DE RETOURNER LE PRODUIT, PEU IMPORTE LA RAISON PRIERE DE COMPOSER 1 800 544-6986**

#### RENSEIGNEMENTS IMPORTANTS

- Attendre que la meule atteigne sa vitesse maximale avant de la poser sur l'ouvrage.
- Tenir la meuleuse à l'angle approprié, tel qu'illustré à la fig.11, fig. 12.

#### AVERTISSEMENT : IMPORTANTES MESURES DE SÉCURITÉ

**AVERTISSEMENT!** Vous devez lire et comprendre toutes les instructions. Le non-respect, même partiel, des instructions ci-après entraîne un risque de choc électrique, d'incendie et/ou de blessures graves.

**CONSERVEZ CES INSTRUCTIONS.**

## ZONE DE TRAVAIL

- S'assurer que la zone de travail est propre et bien éclairée.** Des établis encombrés et des endroits sombres présentent des risques d'accidents.
- Ne pas utiliser des outils électriques en présence de vapeurs explosives (comme celles dégagées par des liquides, des gaz ou des poussières inflammables).** Les étincelles générées par le moteur des outils électriques peuvent enflammer les poussières ou les vapeurs.
- Éloigner les curieux, les enfants et les visiteurs de la zone de travail lorsqu'on utilise un outil électrique.** Une distraction peut entraîner la perte de maîtrise de l'outil.

## MESURES DE SÉCURITÉ RELATIVES À L'ÉLECTRICITÉ

- Les outils à double isolation comportent une fiche polarisée (une lame plus large que l'autre). La fiche n'entre que d'une façon dans une prise polarisée. Lorsque la fiche n'entre pas à fond dans la prise, essayer de nouveau après avoir inversé les broches de la fiche. Si la fiche n'entre toujours pas dans la prise, communiquer avec un électricien certifié afin de faire installer une prise polarisée. Ne modifier en aucune façon la fiche.** La double isolation  ▣ élimine le besoin d'un cordon trifilaire mis à la terre et d'un système d'alimentation mis à la terre. **Valable seulement pour les outils de classe II (à double isolation).**
- Éviter de toucher à des surfaces mises à la terre comme des tuyaux, des radiateurs, des cuisinières et des réfrigérateurs.** Les risques de secousses électriques sont plus élevés si le corps de l'utilisateur est mis à la terre.
- Protéger les outils électriques de la pluie ou des conditions mouillées.** Une infiltration d'eau dans l'outil augmente les risques de secousses électriques.
- Manipuler le cordon avec soin. Ne jamais se servir du cordon afin de transporter l'outil ni tirer sur le cordon pour débrancher l'outil. Éloigner le cordon des sources de chaleur, des flaqes d'huile, des arêtes tranchantes et des pièces mobiles. Remplacer immédiatement les cordons endommagés.** Les cordons endommagés augmentent les risques de secousses électriques.
- Lorsqu'on utilise un outil électrique à l'extérieur, se servir d'un cordon de rallonge prévu pour l'extérieur, portant la mention «W-A» ou «W».** Ces cordons sont conçus pour servir à l'extérieur et minimisent les risques de secousses électriques. Lorsqu'on se sert d'un cordon de rallonge, s'assurer qu'il est de calibre approprié pour la tension nécessaire au fonctionnement de l'outil. L'utilisation d'un cordon de calibre inférieur occasionne une baisse de tension entraînant une perte de puissance et la surchauffe. Le tableau suivant indique le calibre approprié selon la longueur du cordon et les mentions de la plaque signalétique de l'outil. En cas de doute, utiliser un cordon de calibre supérieur. Le chiffre indiquant le calibre est inversement proportionnel au calibre du cordon.

## SÉCURITÉ PERSONNELLE

- Demeurer vigilant, prendre soin et faire preuve de jugement lorsqu'on utilise un outil électrique. Ne pas s'en servir lorsqu'on est fatigué ou affaibli par des drogues, de l'alcool ou des médicaments.** De graves blessures peuvent résulter d'un moment d'inattention lors de l'utilisation d'un outil électrique.
- Porter des vêtements appropriés. Éviter de porter des vêtements amples ou des bijoux. Recouvrir la chevelure si elle est longue. Éloigner les cheveux, les vêtements et les gants des pièces en mouvement** qui peuvent les happer.
- Éviter les démarrages accidentels. S'assurer que l'interrupteur est en position hors tension avant de brancher l'outil.** Afin d'éviter les risques de blessures, ne pas transporter l'outil avec le doigt sur l'interrupteur ni brancher un outil dont l'interrupteur est en position sous tension.
- Enlever les clés de réglage avant de mettre l'outil sous tension.** Une clé qui est laissée sur une pièce rotative de l'outil présente des risques de blessures.
- Ne pas dépasser sa portée. Garder son équilibre en tout temps.** On s'assure d'une meilleure maîtrise de l'outil dans des situations imprévues grâce à une position stable et un bon équilibre.
- Porter de l'équipement de sécurité. Toujours porter des lunettes de sécurité.** Dans certaines conditions, il faut porter des masques respiratoires, des chaussures antidérapantes, un casque de sécurité ou des protège-tympan.

## UTILISATION ET ENTRETIEN DE L'OUTIL

- Utiliser des pinces de serrage ou de tout autre moyen pratique afin de fixer et de soutenir la pièce à ouvrir sur une plate-forme stable.** La pièce est instable lorsqu'elle est retenue par la main ou le corps de l'utilisateur. Cela présente des risques de perte de maîtrise de l'outil.
- Ne pas forcer l'outil. Utiliser l'outil approprié à la tâche.** L'outil approprié fonctionne mieux et sûrement lorsqu'on s'en sert à son rendement nominal.
- Ne pas se servir de l'outil lorsque l'interrupteur est défectueux.** Le cas échéant, l'outil est dangereux et il faut le réparer.
- Débrancher l'outil de la source d'alimentation avant de le régler, d'en remplacer les accessoires ou de le ranger.** On minimise de la sorte le risque de démarrage accidentel de l'outil.
- Ranger l'outil hors de portée des enfants et de toute autre personne qui n'en connaît pas le fonctionnement.** L'outil est dangereux entre les mains de ces personnes.
- Prendre soin des outils. S'assurer que les outils de coupe sont tranchants et propres.** Des outils bien entretenus à arêtes tranchantes ont moins tendance à se coincer et ils se maîtrisent mieux.
- Vérifier l'alignement et les attaches des pièces mobiles, le degré d'usure des pièces ainsi que tout autre facteur susceptible de nuire au bon fonctionnement de l'outil. Faire réparer un outil endommagé avant de s'en servir.** Des outils mal entretenus sont la cause de nombreux accidents.
- Utiliser seulement les accessoires recommandés par le fabricant.** Des accessoires qui conviennent à un outil peuvent présenter des risques avec un autre outil

## ENTRETIEN

- Confier l'entretien de l'outil seulement à du personnel qualifié.** Le non-respect de la présente directive présente des risques de blessures.
- Lors de l'entretien de l'outil, utiliser seulement des pièces de rechange identiques. Respecter les consignes relatives à l'entretien du présent guide d'utilisation.** Il y a risque de secousses électriques ou de blessures lorsqu'on utilise des pièces non autorisées ou lorsqu'on ne respecte pas les consignes relatives à l'entretien.

## RÈGLES DE SÉCURITÉ PARTICULIÈRES

- Toujours utiliser le dispositif de protection qui convient à la meule afin de protéger l'opérateur des fragments pouvant être projetés par une meule brisée.
- La vitesse des accessoires doit correspondre à la vitesse minimale recommandée indiquée sur l'étiquette d'avertissement de l'outil, car les meules et les accessoires qui sont réglées à une vitesse trop élevée peuvent se briser et occasionner des blessures lorsque des fragments de métal sont projetés en l'air.
- Tenir l'outil par les surfaces isolées prévues à cette fin lorsqu'il risque d'entrer en contact avec des fils cachés ou son propre cordon, car de tels contacts peuvent mettre les pièces métalliques de l'outil sous tension, engendrant des risques de choc électrique.

## RÈGLES DE SÉCURITÉ ADDITIONNELLES

- TOUJOURS PORTER DES LUNETTES DE PROTECTION.**
- TOUJOURS LAISSER LE DISPOSITIF DE PROTECTION EN PLACE.**
- N'utiliser que des meules ayant une vitesse de fonctionnement maximale équivalant au moins à la vitesse de rotation à vide (No Load RPM) marquée sur la plaque signalétique de l'outil.
  - Avant d'utiliser un accessoire recommandé, le vérifier afin de s'assurer qu'il n'y ait ni bris ni fissure. Si on y trouve de tels défauts, mettre l'accessoire au rebut. Inspecter également l'accessoire chaque fois qu'il subit une chute.
  - Lorsqu'on démarre l'outil (après y avoir installé une meule neuve ou de rechange), se tenir dans un endroit bien protégé et le faire fonctionner pendant une minute, car si l'outil est fissuré ou brisé, il devrait éclater en moins d'une minute. Ne jamais démarrer un outil lorsque quelqu'un, y compris l'opérateur, se tient directement devant lui.
  - Éviter de faire rebondir la meule durant son fonctionnement ou de l'utiliser de manière abusive. Si la meule subit de tels traitements, arrêter l'outil et inspecter cette dernière.
- TOUJOURS UTILISER UN DISPOSITIF DE PROTECTION** lorsqu'on se sert de meules à moyeu déporté ou de meules boisseaux coniques.
- Nettoyer l'outil périodiquement.

⚠**AVERTISSEMENT** : Certains outils, tels que les sableuses électriques, les scies, les meules, les perceuses ou certains autres outils de construction, peuvent soulever de la poussière contenant des produits chimiques susceptibles d'entraîner le cancer, des malformations congénitales ou pouvant être nocifs pour le système reproductif. Parmi ces produits chimiques, on retrouve :

- le plomb dans les peintures à base de plomb;
- la silice cristalline dans les briques et le ciment et autres produits de maçonnerie;
- l'arsenic et le chrome dans le bois de sciage ayant subi un traitement chimique.

Le risque associé à de telles expositions peut varier selon la fréquence avec laquelle on

effectue ces travaux. Pour réduire l'exposition à de tels produits, il faut travailler dans un endroit bien ventilé et utiliser l'équipement de sécurité approprié tel un masque anti-pous-sières spécialement conçu pour filtrer les particules microscopiques.

L'étiquette de l'outil peut comporter les symboles suivants:			
V .....	volts	A.....	ampères
Hz .....	hertz	W .....	watts
min .....	minutes	~ .....	courant alternatif
==== .....	courant continu	no .....	sous vide
<span>▣</span> .....	Construction de classe II	<span>ⓘ</span> .....	borne de mise à la minute
<span>⚠</span> .....	symbole d'avertissement	.../min .....	tours ou courses à la minute

## ⚠ AUTRES MESURES DE SÉCURITÉ IMPORTANTES

## CORDONS DE RALLONGE

Lorsqu'on se sert d'un cordon de rallonge, s'assurer qu'il est de calibre approprié pour la tension nécessaire au fonctionnement de l'outil. L'utilisation d'un cordon de calibre inférieur occasionne une baisse de tension entraînant une perte de puissance et la surchauffe. Le tableau suivant indique le calibre approprié selon la longueur du cordon et les mentions de la plaque signalétique de l'outil. En cas de doute, utiliser un cordon de calibre supérieur. Le chiffre indiquant le calibre est inversement proportionnel au calibre du cordon.

<b>Calibre minimal des cordons de rallonge</b>					
<b>Tension</b>	<b>Longueur totale du cordon en pieds</b>				
120 V	De 0 à25	De 26à50	De 51 à 100	De 101 à 150	
240 V	De 0 à 50	De 51à 100	De 101 à 200	De 201 à 300	
<b>Intensité (A)</b>	<b>Calibre moyen de fil</b>				
<b>Au moins</b>	<b>Au plus</b>				
0	- 6	18	16	16	14
6	- 10	18	16	14	12
10	- 12	16	16	14	12
12	- 16	14	12	Non recommandé	

## MOTEUR

Un moteur Black & Decker alimente l'outil Black & Decker. Veiller à ce que la tension d'alimentation soit conforme aux exigences de la plaque signalétique de l'outil. La mention «120 volts c.a. seulement» signifie que l'outil fonctionne s'il est branché dans une prise domestique standard de 60 Hz. Ne pas utiliser les outils à tension secteur sur du courant continu. La mention «120 volts c.a./c.c.» signifie que l'outil fonctionne sur du courant alternatif ou sur du courant continu. Ces renseignements sont imprimés sur la plaque signalétique de l'outil. Une tension inférieure entraîne une baisse de puissance et peut causer la surchauffe de l'outil. Tous les outils Black & Decker sont essayés avant de quitter l'usine. Lorsque celui-ci refuse de fonctionner, vérifier la source de courant électrique.

## POIGNÉE AUXILIAIRE (FIG. 1)

Une poignée auxiliaire à deux positions (5), livrée avec la meuleuse, peut être vissée d'un côté ou de l'autre du boîtier de l'outil. Cette poignée **DOIT ÊTRE UTILISÉE EN TOUT TEMPS** afin de garder la maîtrise totale de l'outil.

## DÉMARRAGE DE L'OUTIL

Appuyer sur l'interrupteur à gâchette vers l'avant (1) pour mettre l'outil en marche. Pour un fonctionnement continu, glisser l'interrupteur complètement vers l'avant (2). Pour arrêter l'outil, relâcher l'interrupteur marche-arrêt (ON/OFF); pour l'arrêter en mode de fonctionnement continu, appuyer sur la section arrière de l'interrupteur.

**REMARQUE** : Ne pas mettre l'outil en position de marche ou d'arrêt lorsque ce dernier est en contact avec une surface; le laisser atteindre sa vitesse maximale avant de le placer sur la surface à meuler, et le soulever complètement avant de l'arrêter.

## SURCHARGES

Les surcharges peuvent endommager le moteur des meuleuses d'angle. Elles se produisent généralement quand l'outil est utilisé à plein rendement pendant de longues périodes de temps. On ne doit jamais, sous aucun prétexte, exercer trop de pression sur l'outil dans le but d'accélérer le travail. Les disques abrasifs sont plus efficaces quand on n'appuie que légèrement sur la meuleuse, ce qui permet d'éviter de ralentir l'outil.

# MEULAGE ET BROSSAGE

## FIXATION DU DISPOSITIF DE PROTECTION (FIG. 2) ARRÊTER ET DÉBRANCHER L'OUTIL. NE JAMAIS FAIRE FONCTIONNER LA MEULEUSE SANS LE DISPOSITIF DE PROTECTION.

Mettre la meuleuse sur une surface plane, broche vers le haut. Aligner la cosse avec la fente du support. Enfoncer le dispositif et le tourner dans le sens indiqué par la flèche. **REMARQUE** : La goupille de sécurité du dispositif de protection empêche ce dernier de se desserrer.

## INSTALLATION DE MEULES À MOYEU DÉPORTÉ (FIGS. 3, 4, 5, 6)

**ARRÊTER ET DÉBRANCHER L'OUTIL.** ⚠**MISE EN GARDE** : Ne jamais utiliser la meuleuse à moyeu déporté sans le dispositif de protection approprié.

- S'assurer que le dispositif de protection est bien installé. Insérer la bride interne (a) sur la broche Fig. 3, en vérifiant qu'elle est bien appuyée sur les deux partie plates.
- Insérer le disque abrasif sur la broche et la bride interne (a) Fig. 4.
- Installer le flasque externe fileté (b) Fig. 5, en s'assurant qu'il est orienté dans le sens requis pour le type de disque utilisé. Pour les disques à meuler, le flasque (b) doit être installé de manière à ce que la face en saillie soit tournée vers le disque; pour les disques à couper, il (b) doit être placé de manière à ce que la saillie soit vers l'extérieur Fig.5.
- Enfoncer le bouton de verrouillage de l'axe et faire tourner ce dernier jusqu'à ce qu'il se bloque. En maintenant le bouton de verrouillage enfoncé, serrer le flasque externe au moyen de la clé à ergots fournie Fig. 6.
- Lorsqu'on utilise une meuleuse à moyeu déporté, il faut tenir l'outil de manière à obtenir un angle d'environ 30° entre la meuleuse et l'ouvrage.

⚠**MISE EN GARDE** : On doit vérifier les caractéristiques de la meuleuse à moyeu déporté afin d'éviter d'en utiliser une dont la vitesse nominale est inférieure à celle qui est indiquée sur la plaque signalétique de l'outil.

## INSTALLATION DE BROSSES EN FORME DE COUPELLES

La brosse en forme de coupelle se visse directement au moyeu de l'appareil sans utiliser de flasques.

# PONÇAGE

## RETRAIT DU DISPOSITIF DE PROTECTION (FIG. 7 – PONÇAGE SEULEMENT) ARRÊTER ET DÉBRANCHER L'OUTIL.

**NOTA : POUR PRÉVENIR LES PERTES DE CONTRÔLE, NE PAS DÉPOSER L'OUTIL AVANT QUE L'ACCESSOIRE AIT COMPLÈTEMENT CESSÉ DE TOURNER.**

Tel qu'illustré à la Fig. 7, mettre la meuleuse sur une surface plane, broche vers le haut. Faire tourner le dispositif de protection dans le sens indiqué par la flèche jusqu'à ce qu'il bloque. En utilisant un petit tournevis, appuyer sur la goupille de sécurité située dans la fente. En maintenant la goupille enfoncée, faire tourner le dispositif légèrement dans le sens indiqué par la flèche afin d'empêcher la goupille de remonter. Retirer le tournevis et continuer de faire tourner le dispositif jusqu'à ce qu'il se dégage.

## MESURES DE PRÉCAUTION - PONÇAGE DE LA PEINTURE

- Le ponçage de peinture à base de plomb n'est **PAS RECOMMANDÉ** car il est trop difficile de maîtriser la poussière contaminée. Les enfants et les femmes enceintes courent le plus grand risque d'intoxication par le plomb.
- Puisqu'il est difficile de savoir, sans une analyse chimique, si une peinture contient du plomb, on recommande de suivre les mesures de précaution décrites ci-après.

## SÉCURITÉ PERSONNELLE

- S'assurer qu'aucun enfant ni femme enceinte n'entre dans la zone de travail avant qu'elle ait été nettoyée à fond.
- Toute personne qui entre dans la zone de travail doit porter un masque antipoussière ou un appareil respiratoire; le filtre doit être remplacé chaque jour ou lorsque la respiration devient difficile.

**REMARQUE : SEULS LES MASQUES QUI PROTÈGENT CONTRE LES POUSSIÈRES ET LES ÉMANATIONS DE PLOMB DOIVENT ÊTRE UTILISÉS, CAR LES MASQUES ORDINAIRES N'OFFRENT PAS LA PROTECTION VOULUE. CONSULTER LE**



## QUINCAILLIER POUR OBTENIR UN MASQUE APPROUVÉ PAR LE NIOSH.

### SÉCURITÉ ENVIRONNEMENTALE

1. Enlever la peinture de manière à réduire au minimum la cantidad de polvo producida.
2. Sceller les zones où on enlève la peinture au moyen de grandes feuilles de plástico d'une épaisseur de 4 mm.
3. Poner ponçage de manière à éviter autant que possible de traîner de la polvo à l'extérieur de la zona de trabajo.

### FIXATION DES DISQUES ABRASIFS ARRÊTER ET DÉBRANCHER L'OUTIL.

Utiliser un plateau porte-disque pour poncer au moyen d'une meuleuse d'angle.

1. Retirer le dispositif de protección.
2. Insérer la bride interne, le plateau porte-disque, le disque (tous deux vendus séparément) et la bride externe sur la broche, de la manière illustrée Fig. 8. La Figure 8A illustre la manière de fixer un disque abrasif muni d'un tampon de caoutchouc.
3. Serrer le disque abrasif tel qu'illustré Fig. 9 en appuyant sur le bouton de verrouillage tout en faisant tourner à la main le disque.

## RENSEIGNEMENTS GÉNÉRAUX

### CONSEILS PRATIQUES

- Tenir la meuleuse en saisissant le boîtier d'une main et en agrippant fermement la poignée auxiliaire de l'autre, tel qu'illustré à la Fig. 10.
  - Toujours placer le dispositif de protección de manière à ce que la partie visible du disque soit le moins possible orientée vers l'utilisateur.
  - S'attendre à voir surgir une gerbe d'étincelles quand le disque entre en contact avec une surface métallique.
  - Maintenir entre le disque et la surface de travail Fig. 11 un angle d'environ 30° pour le meulage et de 10 à 15° pour le ponçage Fig. 12, ce qui assurera une meilleure maîtrise de l'outil et un retrait optimal de matériau, tout en réduisant au minimum les risques de surcharge.
- ⚠ MISE EN GARDE :** On doit toujours porter des lunettes de protección quand on utilise cet outil.

### ENTRETIEN DE L'OUTIL

**NETTOYAGE :** L'entretien périodique doit comprendre le nettoyage à l'air comprimé du carter du moteur pour éliminer la polvo et les particules métalliques ou abrasives logées à l'intérieur de celui-ci. Ces dernières tendent en effet à s'accumuler sur les surfaces internes et peuvent engendrer des risques de choc électrique si elles ne sont pas souvent nettoyées.

### LUBRIFICATION

Les outils Black & Decker sont adéquatement lubrifiés en usine et sont donc prêts à utiliser, mais ils doivent être lubrifiés tous les ans, selon l'usage qu'on en fait (les outils utilisés pour des gros travaux ou qui sont exposés à la chaleur doivent être lubrifiés plus souvent). La lubrification devrait être confiée à des techniciens qualifiés, comme ceux des centres de service Black & Decker autorisés.

### IMPORTANT

Pour garantir la SÉCURITÉ et la FIABILITÉ de ce produit, l'outil doit être réparé, entretenu et réglé par un centre de service Black & Decker autorisé ou qualifié; seules des pièces de rechange identiques doivent être utilisées.

### ACCESSOIRES

Les détaillants et le centre de service de la région vendent les accessoires recommandés pour l'outil. Pour trouver un accessoire, composer le **1 800 544-6986**.

**⚠ AVERTISSEMENT :** L'utilisation de tout accessoire non recommandé pour l'outil peut être dangereuse.

### GARANTIE COMPLÈTE DE DEUX ANS POUR UTILISATION DOMESTIQUE

Black & Decker garantit le produit pour une période de deux ans contre tout vice de matière ou de fabrication. Le produit défectueux sera réparé ou remplacé sans frais en vertu de l'alternative suivante.

Le premier choix ne donne droit qu'à un échange; il s'agit de retourner le produit chez le détaillant d'où il provient (si celui-ci participe au programme d'échange). Il faut alors retourner le produit dans le délai imparti par le détaillant (habituellement, entre 30 et 90 jours de la date d'achat). Le détaillant peut exiger une preuve d'achat. Prière de vérifier avec le détaillant quant à sa politique relative aux retours au-delà des délais accordés pour l'échange.

Le second choix consiste à retourner le produit (port payé) à un centre de service Black & Decker où il sera réparé ou remplacé, à notre gré. Une preuve d'achat peut être exigée. Les coordonnées des centres de service Black & Decker se trouvent à la rubrique «Outils électriques» des Pages jaunes.

La présente garantie ne couvre pas les accessoires. Les modalités de la présente garantie donnent des droits légaux spécifiques. L'utilisateur peut se prévaloir d'autres droits selon l'état ou la province qu'il habite. Pour obtenir de plus amples renseignements, communiquer avec le directeur du centre de service Black & Decker de la région. Le produit n'est pas conçu pour une utilisation commerciale.

### RENSEIGNEMENTS RELATIFS AU SERVICE

Black & Decker exploite un réseau complet de centres de service et d'ateliers d'entretien autorisés par toute l'Amérique du Nord. Le personnel de tous les centres de service Black & Decker a reçu la formation voulue pour assurer l'entretien efficace et fiable des outils électriques.

Pour obtenir des renseignements d'ordre technique, des conseils relatifs aux réparations ou des pièces de rechange d'origine, communiquer avec le centre de service Black & Decker de la région.

On peut trouver l'adresse du centre de service de la région dans l'annuaire des Pages Jaunes à la rubrique «Outils électriques» ou en composant le numéro suivant : **1 800 544-6986**.

Imported by / Importé par  
Black & Decker Canada Inc.  
100 Central Ave.  
Brockville (Ontario) K6V 5W6

Voir la rubrique "Outils électriques"  
des Pages Jaunes  
pour le service et les ventes.



## ANTES DE DEVOLVER ESTE PRODUCTO POR CUALQUIER RAZON POR FAVOR LLAME (Únicamente para propósitos de México) 326-7100

### INFORMACION CLAVE QUE DEBE SABER

- Espere hasta que la piedra de esmeril alcance su velocidad completa antes de aplicarla a la pieza de trabajo.

- Sujete la esmeriladora en el ángulo apropiado, como se muestra en la Fig. 11,12.

### ⚠ ADVERTENCIA: ADVERTENCIAS E INSTRUCCIONES IMPORTANTES DE SEGURIDAD


**⚠ ADVERTENCIA!** Lea y comprenda todas las instrucciones. No hacerlo puede originar riesgos de choque eléctrico, incendio y lesiones personales de gravedad.

### CONSERVE ESTAS INSTRUCCIONES

#### AREA DE TRABAJO

- **Conserve su área de trabajo limpia y bien iluminada.** Las bancas amontonadas y las zonas oscuras propician los accidentes.
- **No opere herramientas eléctricas en atmósferas explosivas, como en presencia de líquidos, gases o polvos inflamables.** Las herramientas eléctricas producen chispas que pueden originar la ignición de los polvos o los vapores.
- **Conserve a observadores, niños y visitantes alejados mientras opera una herramienta eléctrica.** Las distracciones pueden ocasionar que pierda el control.

#### SEGURIDAD ELECTRICA

- **Las herramientas con doble aislamiento están equipadas con una clavija polarizada (con una pata más ancha que la otra.) Esta clavija se acoplará únicamente en una toma de corriente polarizada de una manera. Si la clavija no se acopla al contacto, invírtala. Si aún así no se ajusta, comuníquese con un electricista calificado para que le instalen una toma de corriente polarizada apropiada.** El doble aislamiento  elimina la necesidad de cables con tres hilos y sistemas de alimentación con conexión a tierra.

- **Evite el contacto corporal con superficies aterrizadas tales como tuberías, radiadores, hornos y refrigeradores.** Hay un gran riesgo de choque eléctrico si su cuerpo hace tierra.

- **No exponga las herramientas eléctricas a la lluvia o a condiciones de mucha humedad.** El agua que se introduce en las herramientas aumenta el riesgo de descargas eléctricas.

- **No maltrate el cable. Nunca tome el cable para transportar una herramienta ni para desconectarla de la toma de corriente. Consérvelo alejado de calor aceite, bordes afilados o piezas móviles. Cambie inmediatamente los cables dañados.** Los cables dañados aumentan el riesgo de choque eléctrico.

- **Cuando opere una herramienta eléctrica a la intemperie, utilice una extensión marcada "W-A" o "W".** Estas extensiones están clasificadas para uso a la intemperie y para reducir el riesgo de choques eléctricos.

- **Cuando utilice una extensión, asegúrese de emplear una con el calibre suficiente para soportar la corriente necesaria para su herramienta.** Una extensión con calibre inadecuado causará una caída en el voltaje de la línea resultando en pérdida de potencia y sobrecalentamiento. La tabla siguiente muestra el calibre correcto para usarse, relativo a la longitud de la extensión y el amperaje mencionado en la placa de identificación. Si tiene dudas, utilice el calibre siguiente. Mientras más pequeño sea el número del calibre, mayor será su capacidad.

#### SEGURIDAD PERSONAL

- **Esté alerta concéntrese en lo que está haciendo. Recorra al sentido común cuando opere una herramienta eléctrica. No opere ninguna herramienta si se encuentra fatigado o bajo la influencia de drogas, alcohol o medicamentos.** Un momento de desatención mientras se operan herramientas eléctricas puede ocasionar lesiones graves.

- **Vístase de manera adecuada. No tenga puestas ropas o artículos de joyería flojos. Cubra su cabello si lo tiene largo. Conserve su cabello, sus ropas y guantes alejados de las piezas móviles.** Las piezas de vestir flojas, las joyas y el cabello largo pueden resultar atrapados por las piezas móviles.

- **Evite el encendido accidental. Asegúrese que el interruptor esté en posición de apagado antes de conectar.** Sostener una herramienta con el dedo en el interruptor o conectarla sin fijarse si el interruptor está en posición de encendido propicia los accidentes.

- **Retire las llaves de ajuste antes de encender la herramienta.** Una llave que se deja en una pieza giratoria puede ocasionar lesiones personales.

- **No se sobreextienda. Conserve siempre los pies bien apoyados, al igual que el equilibrio.** La posición correcta de los pies y el equilibrio permiten controlar mejor la herramienta en situaciones inesperadas.

- **Utilice equipo de seguridad. Siempre utilice protección en los ojos.** Se deben utilizar mascarillas contra polvo, zapatos antiderrapantes, casco o protectores para los oídos para tener las condiciones apropiadas.

#### USO Y CUIDADOS DE LA HERRAMIENTA

- **Utilice prensas u otros medios prácticos para asegurar y apoyar la pieza de trabajo en una plataforma estable.** Sujetar las piezas con la mano o contra su cuerpo es inestable y puede originar la pérdida de control.

- **No utilice la herramienta si el interruptor no enciende y apaga.** Cualquier herramienta que no pueda controlarse por medio del interruptores peligrosa y debe reemplazarse.

- **Desconecte la clavija de la toma de corriente antes de hacer cualquier ajuste, cambio de accesorios o de guardar la herramienta.** Tales medidas de seguridad preventivas reducirán el riesgo de que la herramienta se encienda accidentalmente.

- **Guarde las herramientas fuera del alcance de los niños y de otras personas no capacitadas.** Las herramientas son peligrosas en manos de personas no capacitadas.

- **Cuide sus herramientas. Conserve las herramientas de corte afiladas y limpias.** Las herramientas que reciben un mantenimiento adecuado, con piezas de corte afiladas, difícilmente se atascan y son más fáciles de controlar.

- **Verifique la alineación de las piezas móviles, busque fracturas en las piezas y cualesquiera otras condiciones que puedan afectar la operación de las herramientas. Si está dañada, lleve su herramienta a servicio antes de usarla de nuevo.** Muchos accidentes se deben a herramientas con mantenimiento pobre.

- **Solamente use accesorios que el fabricante recomiende para su modelo de herramienta.** Los accesorios que estén diseñados para una herramienta, pueden volverse peligrosos cuando se emplean con otra.

#### SERVICIO

- **El servicio a las herramientas lo debe efectuar únicamente personal calificado.** El servicio o mantenimiento realizado por personal no calificado puede originar riesgos de lesiones.

- **Cuando efectúe servicio a una herramienta, utilice únicamente refacciones idénticas. Siga las instrucciones de la sección de Mantenimiento de este manual.** El empleo de piezas no autorizadas o no seguir las instrucciones de mantenimiento puede originar riesgos de choque eléctrico o lesiones.

#### REGLAS DE SEGURIDAD ESPECIFICAS

- **Siempre utilice la guarda apropiada con una piedra de esmeril.** La guarda protege al operador de fragmentos de la piedra.

- **Los accesorios deben estar clasificados para al menos la velocidad recomendada en la etiqueta de advertencia de la herramienta.** Las piedras y otros accesorios que funcionan a una velocidad mayor a la de su clasificación pueden salir despedidos y ocasionar lesiones.

- **Sujete la herramienta por las superficies de agarre aislantes cuando efectúe una operación en la que la herramienta de corte pudiese hacer contacto con cableado oculto o con su propio cable.** El contacto con un cable "vivo" hará que las partes metálicas de la herramienta que estén expuestas "vivan" y descarguen al operador.

#### REGLAS DE SEGURIDAD ADICIONALES

##### UTILICE SIEMPRE PROTECCION PARA LOS OJOS

##### CONSERVE LAS GUARDAS EN SU SITIO

- Utilice exclusivamente ruedas de esmeril que tengan indicada en la etiqueta una velocidad máxima de operación de por lo menos las "RPM sin carga" (no load RPM) indicadas en la placa de identificación de la herramienta.

- Antes de usar la herramienta, revise siempre todos los accesorios en busca de cuarteaduras o defectos. ¡Descarte de inmediato la pieza si tiene un desperfecto de esta clase! Deberá revisar, del mismo modo, la rueda cuando sospeche que la unidad ha caído o se ha golpeado.

- Al accionar la herramienta (con una rueda nueva o de reemplazo instalada), sujétela bien dentro de una zona protegida adecuadamente y déjela funcionar durante un minuto. Si la rueda tiene una cuarteadura o una hendidura inadvertidas, deberá romperse en pedazos en menos de un minuto. Nunca accione una herramienta cuando haya una persona alineada con la rueda: esto incluye al propio operador.

- Evite que la rueda opere a saltos o se maltrate mientras funciona. Si sucediera así, apague y desconecte la herramienta y revise la rueda.

- **EMPLEE SIEMPRE GUARDAS** cuando utilice discos con centro hendido o piedras de copa.




- Limpie la herramienta periódicamente.

**⚠ ADVERTENCIA :** Parte del polvo creado al lijar, aserruchar, moler o perforar con máquina, así como al realizar otras actividades de la construcción, contiene sustancias químicas que se sabe producen cáncer, defectos congénitos u otras afecciones reproductivas. Algunos ejemplos de esas sustancias químicas son:

- plomo de pinturas a base de plomo,
- sílice cristalizado de ladrillos y cemento y otros productos de albañilería, y
- arsénico y cromo de la madera químicamente tratada .

El riesgo al contacto con estas sustancias varía, según la frecuencia en que se haga este tipo de trabajo. Para reducir la exposición a esas sustancias químicas: trabaje en un área bien ventilada, y trabaje con equipos de seguridad aprobados, tales como máscaras contra el polvo especialmente diseñadas para filtrar las partículas microscópicas.

La etiqueta de su herramienta puede incluir los siguientes símbolos.

V .....	volts	A .....	amperes
Hz .....	hertz	W .....	watts
min .....	minutos	~ .....	corriente alterna
==== .....	corriente directa	n <sub>o</sub> .....	velocidad sin carga
 .....	construcción clase II	 .....	terminales de conexión a tierra
 .....	símbolo de alerta seguridad	.../min .....	revoluciones o reciprocaciones por minuto

## CABLE DE EXTENSION

Cuando utilice un cordón de extensión, asegúrese de emplear uno con el calibre suficiente para soportar la corriente necesaria para su producto. Una extensión con calibre menor al necesario causará una caída en el voltaje de la línea, resultando en pérdida de potencia y sobrecalentamiento. El cuadro siguiente muestra los calibres correctos para usarse de acuerdo con la longitud de la extensión y el amperaje especificado. Si tiene dudas, utilice el calibre siguiente, más pesado. Cuanto más pequeño el número de calibre del alambre, mayor la capacidad del cable.

Calibre mínimo para cordones de extensión					
Volts	Longitud total del cordón en metros				
120V	0-7,6	7,6-15,2	15,2-30,4	30,4-45,7	
240V	0-15,2	15,2-30,4	30,4-60,9	60,9-91,4	
Amperje		Calibre del cordón AWG			
Más de	No más de				
0	-6	18	16	16	14
6	-10	18	16	14	12
10	-12	16	16	14	12
12	-16	14	12	No recomendado	

## MOTOR

Su herramienta Black & Decker funciona con un motor Black & Decker integrado. Asegúrese que su alimentación de corriente concuerde con la señalada en la placa de identificación. 120 V~ significa que su sierra funciona con corriente doméstica estándar a 60 Hz. No utilice herramientas para corriente alterna con corriente continua. Esta información está impresa en la placa de identificación. Voltajes menores causarán pérdida de potencia y pueden producir sobrecalentamiento. Todas las herramientas Black & Decker se prueban en la fábrica; si esta herramienta no funciona, revise la alimentación de corriente.

## MANGO AUXILIAR (FIG. 1)

Su esmeriladora viene acompañada de un mango auxiliar (5) de dos posiciones que puede atornillarse a cualquier lado de la caja de la esmeriladora. Este mango DEBE USARSE SIEMPRE para mantener la herramienta completamente controlada.

## ENCENDIDO DE LA HERRAMIENTA

Para encender la herramienta, deslice el interruptor de ENCENDIDO/APAGADO (ON/OFF) (1) hacia adelante. Para operar la herramienta en modo continuo, (2) deslice el interruptor completamente hacia adelante. Para apagar la herramienta, suelte el interruptor de ENCENDIDO/APAGADO (ON/OFF). Para detener la herramienta cuando esté funcionando en modo continuo, oprima la parte de atrás del interruptor.

NOTA: No encienda ni apague la herramienta cuando ésta se esté cargando. Permita que la esmeriladora alcance la velocidad máxima antes de hacer contacto con la superficie de trabajo. Levante la herramienta de la superficie antes de apagarla.

## SOBRECARGA

Las sobrecargas dañan el motor de su esmeriladora angular. Esto puede ocurrir si la esmeriladora angular se somete a usos pesados durante periodos prolongados. No ejerza nunca presión excesiva sobre su esmeriladora para acelerar su tarea. Los discos abrasivos operan de manera más eficiente con presión ligera, lo cual evita que la esmeriladora angular pierda velocidad.

## ESMERILADO Y LIMPIEZA CON CEPILLO METÁLICO

### COLOCACIÓN DE LA GUARDA PROTECTORA (FIG. 2)

APAGUE Y DESCONECTE LA HERRAMIENTA. NUNCA PULA NI LIMPIE CON EL CEPILLO METÁLICO SIN HABER COLOCADO ANTES LA GUARDA PROTECTORA.

Coloque la esmeriladora angular sobre una mesa, con la mecha hacia arriba. Haga coincidir la arandela con la ranura en la cartela. Presione la guarda hacia abajo y gírela en el mismo sentido que la flecha. NOTA: EL perno de seguridad de la guarda impide que la guarda se afloje.

### COLOCACIÓN DE LOS DISCOS CON CENTRO HUNDIDO (FIGS. 3, 4, 5, 6)

APAGUE Y DESCONECTE LA HERRAMIENTA. **ADVERTENCIA:** nunca utilice ninguno de los discos con centro hundido sin colocar antes la guarda protectora.

- Asegure que la guarda esté bien colocada. Coloque sobre la mecha la arandela interna (a) indicada en la Fig. 3. Asegure que quede colocada sobre las dos cubiertas planas.
- Coloque el disco abrasivo en la mecha y la arandela interior (a) indicada en la Fig. 4.
- Haga entrar en su sitio la arandela exterior de rosca (b) de la Fig. 5, asegurando que su cara está en la dirección correcta para el tipo de disco colocado. Cuando se utilizan los discos de pulido, la arandela (b) se coloca dejando la parte elevada con la cara volteada hacia el disco. Cuando se utilizan los discos de corte, la arandela (b) se coloca con la parte interna con la cara volteada en dirección contraria al disco.
- Presione el botón de sujeción de la mecha y gire la mecha hasta que quede fija en su sitio. Manteniendo presionado el botón de sujeción de la mecha, ajuste la arandela externa con la llave provista como se muestra en la Fig. 6.
- Cuando utilice un disco con centro hundido, sostenga la herramienta formando un ángulo de 30° entre el disco y la superficie de trabajo.

**ADVERTENCIA:** verifique la velocidad estipulada sobre el disco de centro hundido. Nunca utilice un disco de velocidad menor a la velocidad indicada sobre la placa de fabricante de la herramienta.

### COLOCACIÓN DEL CEPILLO METÁLICO ACAMPANADO

El cepillo metálico acampanado se atornilla directamente a la mecha de la herramienta, sin arandelas.ESMERILADO

### RETIRADO DE LA GUARDA PROTECTORA (FIG. 7, SÓLO PARA ESMERILADO)

APAGUE Y DESCONECTE LA HERRAMIENTA.

NOTA: PARA NO PERDER EL CONTROL DE LA HERRAMIENTA, NO LA DEJE SOBRE NINGUNA SUPERFICIE ANTES DE QUE EL ACCESORIO SE HAYA DETENIDO COMPLETAMENTE.

Como se indica en la Fig. 7, coloque la pulidora sobre una mesa, con la mecha hacia arriba. Gire la guarda en la dirección de la flecha hasta que llegue a su tope. Utilice un pequeño destornillador para aflojar el perno de seguridad en la ranura. Manteniendo presionado hacia abajo el perno con el destornillador, gire ligeramente la guarda en dirección de la flecha para mantener el perno de seguridad aflojado. Retire el destornillador y continúe girando la guarda hasta que quede libre.

### PRECAUCIONES DURANTE EL LIJADO DE PINTURA

- NO ES RECOMENDABLE lijar pinturas con base de plomo debido a la dificultad para controlar el polvo contaminado. El envenenamiento por plomo es sobre todo peligroso para los niños y las mujeres embarazadas.
- Ya que es difícil determinar si una pintura contiene plomo sin efectuar un análisis químico, recomendamos tomar las siguientes precauciones al lijar cualquier tipo de pintura:

### SEGURIDAD PERSONAL

- Los niños y las mujeres embarazadas no deben entrar al área de trabajo antes de que esta última se encuentre perfectamente limpia.
- Todas las personas que ingresen al área de trabajo deben utilizar una mascarilla contra polvo o un respirador. El filtro debe ser reemplazado a diario o siempre que el usuario tenga dificultad para respirar a través del dispositivo.

NOTA: SÓLO DEBEN UTILIZARSE MASCARILLAS ESPECÍFICAMENTE DISEÑADAS PARA PARTÍCULAS Y EMANACIONES ORIGINADAS POR PINTURAS QUE CONTIENEN PLOMO. LAS MASCARILLAS CONTRA EL POLVO DE PINTURAS CORRIENTES NO PROPORCIONAN ESE TIPO DE PROTECCIÓN. CONSULTE AL DISTRIBUIDOR DE SU LOCALIDAD PARA OBTENER UNA MÁSCARA ADECUADA.

### SEGURIDAD AMBIENTAL

- Quitar la pintura tratando de generar la menor cantidad de polvo posible.
- Sellar con hojas de plástico gruesas (mínimo 0,1 mm) los accesos a las áreas donde se esté quitando la pintura.
- Lijar tratando de reducir la salida de polvo de pintura fuera del área de trabajo.

### INSTALACIÓN DE DISCOS ABRASIVOS

APAGUE Y DESCONECTE LA HERRAMIENTA.

Utilice un disco abrasivo con almohadilla de respaldo para lijar con su esmeriladora angular.

- Retire la guarda.
- Coloque la arandela (la almohadilla de respaldo y el disco abrasivo se venden por separado) y la arandela exterior en la mecha como se indica en la Fig. 8. La Fig. 8A muestra cómo fijar un disco abrasivo con un almohadilla de respaldo de caucho.

- Apriete el disco abrasivo como se muestra en la Fig. 9, soltando el botón de seguridad de la mecha y girando con la mano el disco abrasivo.

## INFORMACIÓN GENERAL

### CONSEJOS PRÁCTICOS

- Sujete su esmeriladora angular con una mano en el cuerpo y la otra mano alrededor del mango lateral con firmeza como se muestra en la Figura 10.
  - Coloque siempre la guarda de manera que la mayor parte expuesta del disco apunte hacia el lado opuesto a usted.
  - Prepárese para las chispas que saltarán cuando el disco haga contacto con el metal.
  - Para trabajos de esmerilado, mantenga un ángulo aproximado (Fig. 11) de 30° entre el disco y la superficie de trabajo, y entre 10° y 15° para lijar (Fig. 12) para mejor control de la herramienta, eliminación de materiales y mínima sobrecarga.
- ADVERTENCIA:** Utilice siempre protección para los ojos cuando opere esta herramienta.

### MANTENIMIENTO DE LA HERRAMIENTA

**LIMPIEZA:** Un procedimiento indispensable para el mantenimiento de su unidad es eliminar a intervalos regulares el polvo y rebabas acumulados en la coraza de la herramienta, mediante sopleado con aire comprimido. A menudo se acumulan en la superficie interior de la herramienta polvo y partículas metálicas que pueden causar choques eléctricos, razón por la cual deben eliminarse con frecuencia. Solamente utilice jabón suave y un trapo húmedo para limpiar la herramienta. Nunca permita que ningún líquido se introduzca en la herramienta; nunca sumerja ninguna parte de la herramienta en ningún líquido.

### LUBRICACIÓN

Las herramientas Black & Decker vienen lubricadas de fábrica y están listas para emplearse. Deben lubricarse cada año, según la frecuencia con que se utilicen (las unidades utilizadas en trabajos pesados y expuestas al calor pueden requerir una lubricación más frecuente). Dicha lubricación debe ser realizada por el personal especializado de los centros de servicio Black & Decker u otro servicio autorizado.

**IMPORTANTE:** Para garantizar la SEGURIDAD y la CONFIABILIDAD del producto, las reparaciones, el mantenimiento y los ajustes deben ser realizados por centros de servicio autorizados u otras organizaciones de servicio calificadas, que siempre utilicen partes de repuesto idénticas.

### ACCESORIOS

Los accesorios recomendados para emplearse con su herramienta se encuentran a su disposición con su distribuidor local o en los centros de servicio autorizado. Si necesita ayuda en relación con los accesorios, por favor llame **326-7100**.

**ADVERTENCIA:** El uso de cualquier accesorio no recomendado para emplearse con esta herramienta puede ser peligroso.

### PARA REPARACION Y SERVICIO DE SUS HERRAMIENTAS ELECTRICAS FAVOR DE DIRIGIRSE AL CENTRO DE SERVICIO MAS CERCANO

CULIACAN  
Av. Nicolas Bravo #1063 Sur (91 671) 242 10

GAUDALAJARA  
Av. La Paz #1779 (91 3) 826 69 78.

MEXICO  
Eje Lázaro Cárdenas No. 18 Local D, Col. Obrera 588-9377

MERIDA  
Calle 63 #459-A (91 99) 23 54 90

MONTERREY  
Av. Francisco I. Madero Pte. 1820-A (91 83) 72 11 25

PUEBLA  
17 Norte #205 (91 22) 46 37 14

QUERETARO  
Av. Madero 139 Pte. (91 42) 14 16 60

SAN LOUIS POTOSI  
Pedro Moreno #100 Centro (91 48) 14 25 67

TORREON  
Blvd. Independencia, 96 pte. (91 17) 16 52 65

VERACRUZ  
Prolongación Diaz Miron #4280 (91 29) 21 70 16

VILLAHERMOSA  
Constitucion 516-A (91 93) 12 53 17

### PARA OTRAS LOCALIDADES LLAME AL: 326 7100

### INFORMACIÓN DE SERVICIO

Black & Decker ofrece una red completa de centros de servicio propiedad de la compañía y franquiciados a través de toda Norteamérica. Todos los centros de servicio Black & Decker cuentan con personal capacitado para proporcionar el servicio a herramientas más eficiente y confiable.

Siempre que necesite consejo técnico, reparaciones o partes de repuesto genuinas, comuníquese con el centro Black & Decker más cercano a usted.

Para encontrar su centro de servicio local, consulte la sección amarilla bajo "Herramientas eléctricas", o llame al: **326-7100**.

### GARANTÍA PARA USO DOMÉSTICO POR DOS AÑOS COMPLETOS

Black & Decker (U.S.) garantiza este producto por dos años completos contra cualquier falla originada por materiales o mano de obra defectuosos. El producto defectuoso será reemplazado o reparado sin cargo alguno en cualquiera de las siguientes dos maneras:

La primera, que resulta únicamente en cambios, es regresar el producto al vendedor al que se compró (en la suposición que es un distribuidor participante). Las devoluciones deberán hacerse dentro del tiempo estipulado por la política de cambios del distribuidor (usualmente de 30 a 90 días después de la venta). Se puede requerir prueba de compra. Por favor verifique con el vendedor las políticas específicas de devolución relacionadas a las devoluciones en tiempo posterior al estipulado para cambios.

La segunda opción es llevar o enviar el producto (con porte pagado) a los centros de servicio Black & Decker propios o autorizados, para que la reparemos o reemplacemos a nuestra opción. Se puede requerir prueba de compra. Los centros de servicio Black & Decker propios y autorizados están enlistados bajo "Herramientas eléctricas" en la sección amarilla del directorio telefónico.

Esta garantía no se aplica a los accesorios. Esta garantía le otorga derechos legales específicos, y usted puede tener otros que varíen de estado a estado. Si tiene usted cualquier pregunta, comuníquese con el gerente del centro de servicio Black & Decker más cercano.

Estos productos no están destinados a uso comercial.

### ESPECIFICACIONES

Tension de alimentación: 120V~

Potencia nominal: 201 W

Frecuencia de operación: 60 Hz

Consumo de corriente: 1.8 A

Para servicio y ventas consulte  
"HERRAMIENTAS ELECTRICAS"  
en la sección amarilla.



IMPORTADOR: BLACK & DECKER S.A. DE C.V.  
BOSQUES DE RADIATAS NO. 42  
BOSQUES DE LAS LOMAS, 05120 MEXICO,  
D.F.  
TEL 326-7100

## Free Manuals Download Website

<http://myh66.com>

<http://usermanuals.us>

<http://www.somanuals.com>

<http://www.4manuals.cc>

<http://www.manual-lib.com>

<http://www.404manual.com>

<http://www.luxmanual.com>

<http://aubethermostatmanual.com>

Golf course search by state

<http://golfingnear.com>

Email search by domain

<http://emailbydomain.com>

Auto manuals search

<http://auto.somanuals.com>

TV manuals search

<http://tv.somanuals.com>