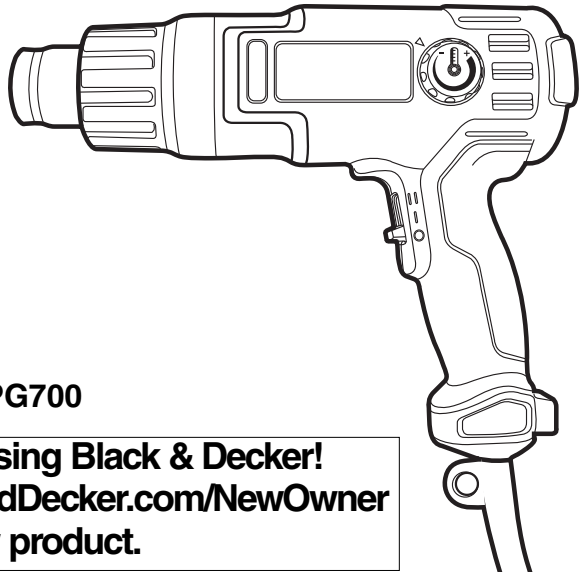




Two Speed Variable Temperature Heat Gun

INSTRUCTION MANUAL



Catalog Number BDPG700

Thank you for choosing Black & Decker!
Go to www.BlackandDecker.com/NewOwner
to register your new product.

PLEASE READ BEFORE RETURNING THIS PRODUCT FOR ANY REASON:

If you have a question or experience a problem with your Black & Decker purchase, go to
[HTTP://WWW.BLACKANDDECKER.COM/INSTANTANSWERS](http://WWW.BLACKANDDECKER.COM/INSTANTANSWERS)
for instant answers 24 hours a day.

If you can't find the answer or do not have access to the internet,
call 1-800-544-6986 from 8 a.m. to 5 p.m. EST Mon. -- Fri. to speak with an agent.
Please have the catalog number available when you call.

SAVE THIS INSTRUCTION MANUAL FOR FUTURE REFERENCE.

VEA EL ESPAÑOL EN LA CONTRAPORTADA.

INSTRUCTIVO DE OPERACIÓN, CENTROS DE SERVICIO Y PÓLIZA DE GARANTÍA.
ADVERTENCIA: LÉASE ESTE INSTRUCTIVO ANTES DE USAR EL PRODUCTO.

GENERAL SAFETY RULES

SAFETY GUIDELINES - DEFINITIONS

It is important for you to read and understand this manual. The information it contains relates to protecting YOUR SAFETY and PREVENTING PROBLEMS. The symbols below are used to help you recognize this information.

⚠ DANGER: Indicates an imminently hazardous situation which, if not avoided, will result in death or serious injury.

⚠ WARNING: Indicates a potentially hazardous situation which, if not avoided, could result in death or serious injury.

⚠ CAUTION: Indicates a potentially hazardous situation which, if not avoided, may result in minor or moderate injury.

NOTICE: Used without the safety alert symbol indicates potentially hazardous situation which, if not avoided, may result in property damage.

⚠ WARNING: Read all safety warnings and all instructions. Failure to follow the warnings and instructions may result in electric shock, fire and/or serious injury.

SAVE ALL WARNINGS AND INSTRUCTIONS FOR FUTURE REFERENCE

The term "power tool" in the warnings refers to your mains-operated (corded) power tool or battery-operated (cordless) power tool.

SAVE THESE INSTRUCTIONS

1) WORK AREA SAFETY

- **Keep work area clean and well lit.** Cluttered or dark areas invite accidents.
- **Do not operate power tools in explosive atmospheres, such as in the presence of flammable liquids, gases or dust.** Power tools create sparks which may ignite the dust or fumes.
- **Keep children and bystanders away while operating a power tool.** Distractions can cause you to lose control.

2) ELECTRICAL SAFETY

- a) **Power tool plugs must match the outlet. Never modify the plug in any way. Do not use any adapter plugs with earthed (grounded) power tools.** Unmodified plugs and matching outlets will reduce risk of electric shock.
- b) **Avoid body contact with earthed or grounded surfaces such as pipes, radiators, ranges and refrigerators.** There is an increased risk of electric shock if your body is earthed or grounded.
- c) **Do not expose power tools to rain or wet conditions.** Water entering a power tool will increase the risk of electric shock.
- d) **Do not abuse the cord. Never use the cord for carrying, pulling or unplugging the power tool. Keep cord away from heat, oil, sharp edges or moving parts.** Damaged or entangled cords increase the risk of electric shock.
- e) **When operating a power tool outdoors, use an extension cord suitable for outdoor use.** Use of a cord suitable for outdoor use reduces the risk of electric shock.
- f) **If operating a power tool in a damp location is unavoidable, use a ground fault circuit interrupter (GFCI) protected supply.** Use of a GFCI reduces the risk of electric shock.

3) PERSONAL SAFETY

- a) **Stay alert, watch what you are doing and use common sense when operating a power tool. Do not use a power tool while you are tired or under the influence of drugs, alcohol or medication.** A moment of inattention while operating power tools may result in serious personal injury.
- b) **Use personal protective equipment. Always wear eye protection.** Protective equipment such as dust mask, nonskid safety shoes, hard hat, or hearing protection used for appropriate conditions will reduce personal injuries.
- c) **Prevent unintentional starting. Ensure the switch is in the off position before connecting to power source and/ or battery pack, picking up or carrying the tool.** Carrying power tools with your finger on the switch or energizing power tools that have the switch on invites accidents.
- d) **Remove any adjusting key or wrench before turning the power tool on.** A wrench or a key left attached to a rotating part of the power tool may result in personal injury.
- e) **Do not overreach. Keep proper footing and balance at all times.** This enables better control of the power tool in unexpected situations.

- f) **Dress properly. Do not wear loose clothing or jewelry. Keep your hair, clothing and gloves away from moving parts.** *Loose clothes, jewelry or long hair can be caught in moving parts.*
- g) **If devices are provided for the connection of dust extraction and collection facilities, ensure these are connected and properly used.** *Use of dust collection can reduce dust-related hazards.*

4) POWER TOOL USE AND CARE

- a) **Do not force the power tool. Use the correct power tool for your application.** *The correct power tool will do the job better and safer at the rate for which it was designed.*
- b) **Do not use the power tool if the switch does not turn it on and off.** *Any power tool that cannot be controlled with the switch is dangerous and must be repaired.*
- c) **Disconnect the plug from the power source and/or the battery pack from the power tool before making any adjustments, changing accessories, or storing power tools.** *Such preventive safety measures reduce the risk of starting the power tool accidentally.*
- d) **Store idle power tools out of the reach of children and do not allow persons unfamiliar with the power tool or these instructions to operate the power tool.** *Power tools are dangerous in the hands of untrained users.*
- e) **Maintain power tools. Check for misalignment or binding of moving parts, breakage of parts and any other condition that may affect the power tool's operation. If damaged, have the power tool repaired before use.** *Many accidents are caused by poorly maintained power tools.*
- f) **Keep cutting tools sharp and clean.** *Properly maintained cutting tools with sharp cutting edges are less likely to bind and are easier to control.*
- g) **Use the power tool, accessories and tool bits, etc. in accordance with these instructions, taking into account the working conditions and the work to be performed.** *Use of the power tool for operations different from those intended could result in a hazardous situation.*

5) SERVICE

- a) **Have your power tool serviced by a qualified repair person using only identical replacement parts.** *This will ensure that the safety of the power tool is maintained.*

Additional Safety Instructions

IMPORTANT SAFETY INSTRUCTIONS FOR HEAT GUNS

1. Remember that hidden areas such as those behind walls, ceilings, floors, soffit boards and other panels may contain flammable materials that could be accidentally ignited when stripping paint from the panel. Such a fire would not be readily apparent, and could cause considerable damage and danger of injury. This heat gun is capable of producing temperatures in excess of 1000° F (538° C).
2. Do not use this tool as a hair dryer.
3. Always turn heat gun off, disconnect from power source and let the tool cool down for at least 30 minutes before moving or storing it. Do not lay the heat gun on flammable surfaces when operating the gun or immediately after shutting it off. Always set the gun on a flat level surface so that the nozzle tip is pointed upward when allowing to cool. For easy storage, the tool can hang from the hang hole. The heat gun should be stored indoors.
4. Always use good quality scrapers and stripping knives.
5. Never obstruct the air intake or nozzle outlet.
6. Be sure to direct the hot air blast in a safe direction; away from other people or flammable objects.
7. Keep fingers away from metal nozzle; it becomes very hot.
8. Don't touch the nozzle to any surface while running or shortly after running.
9. Avoid poking anything down inside the nozzle.
10. Know your work environment. Remember that areas behind soffit board, ceilings, and floors may contain highly flammable materials. Check these areas before applying heat.
11. Clean dry paint from the nozzle after use; it could ignite.
12. Clean your scraper blade frequently during use; it could ignite.
13. Do not use the heat gun in combination with chemical strippers.
14. Do not use accessory nozzles as scrapers.
15. Keep nozzle away from cord.
16. Do not use to cook or warm food.

17. Be constantly aware that this tool can ignite flammable materials, and soften or melt others. Regardless of the task you are performing, shield or keep away from these materials that are close to the work area.

You may occasionally notice some slight smoking of the tool after it is turned off. This is the result of heating the residual oil that was deposited on the heating element during the manufacturing process.

IMPORTANT NOTICE:

In order for this tool to be an effective paint stripper, it must produce extremely high temperatures. As a consequence, the stripper is capable of igniting paper, wood, paint and varnish residue and similar materials.

As you become more familiar with the tool and develop the proper technique, the danger of accidental ignition will be greatly reduced. In establishing the proper technique, the best thing to do is practice! Work on simple stripping projects, preferably outdoors, until you get a "feel" for how to use your stripper safely and effectively.

As you practice, observe the following procedures for safety:

1. Always be sure the tool is turned off and disconnected from power supply when unattended.
2. Clean the scraper blade often during use. Built up residue on the blade is highly flammable.
3. Experiment to find the optimum distance from the tool's nozzle to the surface being stripped. This distance (usually 1-2 inches)(25-50 mm) will vary depending on the material being removed.
4. Keep the heat gun moving ahead of the scraper blade at all times.
5. As you work, clean up loose pieces of paint as they accumulate around the work area.
6. When working indoors, keep away from curtains, papers, upholstery and similar flammable materials.
7. Above all, remember that this is a serious power tool that is capable of producing excellent results when used properly. Practice on simple projects until you feel comfortable with your stripper. Only then will you have mastered the proper technique.

⚠ WARNING: Extreme care should be taken when stripping paint. The peelings, residue and vapors of paint may contain lead, which is poisonous. Any pre-1977 paint may contain lead and paint applied to homes prior to 1950 is likely to contain lead. Once deposited on surfaces, hand to mouth contact can result in the ingestion of lead. Exposures to even low levels of lead can cause irreversible brain and nervous system damage; young and unborn children are particularly vulnerable.

Before beginning any paint removal process you should determine whether the paint you are removing contains lead. This can be done by your local health department or by a professional who uses a paint analyzer to check the lead content of the paint to be removed.

Lead based paint should only be removed by a professional and should not be removed using a heat gun.

Persons removing paint should always follow these guidelines:

1. Move the work piece outdoors. If this is not possible, keep the work area well ventilated. Open the windows and put an exhaust fan in one of them. Be sure the fan is moving the air from inside to outside.
2. Remove or cover any carpets, rugs, furniture, cooking utensils, and air ducts.
3. Place drop cloths in the work area to catch any paint chips or peelings. Wear protective clothing such as extra work shirts, overalls and hats.
4. Work in one room at a time. Furnishings should be removed or placed in the center of the room and covered. Work areas should be sealed off from the rest of the dwelling by sealing doorways with drop cloths.
5. Children, pregnant women or potentially pregnant women and nursing mothers should not be present in the work area until the work is done and all clean up is complete.
6. Wear a dust respirator mask or a dual filter (dust and fume) respirator mask which has been approved by the Occupational Safety and Health Administration (OSHA), the National Institute of Safety and Health (NIOSH), or the United States Bureau of Mines.

These masks and replaceable filters are readily available at major hardware stores. Be sure the mask fits. Beards and facial hair may keep masks from sealing properly. Change filters often. Disposable paper masks are not adequate.

7. Use caution when operating the heat gun. Keep the heat gun moving as excessive heat will generate fumes which can be inhaled by the operator.
8. Keep food and drink out of the work area. Wash hands, arms and face and rinse mouth before eating or drinking. Do not smoke or chew gum or tobacco in the work area.
9. Clean up all removed paint and dust by wet mopping the floors. Use a wet cloth to clean all walls, sills and any other surface where paint or dust is clinging. Do not sweep, dry dust or vacuum. Use a high phosphate detergent or trisodium phosphate (TSP) to wash and mop areas.
10. At the end of each work session put the paint chips and debris in a double plastic bag, close it with tape or twist ties, and dispose of properly.
11. Remove protective clothing and work shoes in the work area to avoid carrying dust into the rest of the dwelling. Wash work clothes separately. Wipe shoes off with a wet rag that is then washed with the work clothes. Wash hair and body thoroughly with soap and water.

The label on your tool may include the following symbols. The symbols and their definitions are as follows:

V	volts	A	amperes
Hz	hertz	W	watts
min	minutes	~	alternating current
===	direct current	n _o	no load speed
□	Class II Construction	⊕	earthing terminal
⚠	safety alert symbol	.../min	revolutions or reciprocations per minute

⚠ WARNING: *Some dust created by power sanding, sawing, grinding, drilling, and other construction activities contains chemicals known in the state of California to cause cancer, birth defects or other reproductive harm. Some examples of these chemicals are:*

- Lead from lead-based paints, crystalline silica from bricks and cement and other masonry products, and arsenic and chromium from chemically-treated lumber (CCA).

Your risk from these exposures varies, depending on how often you do this type of work. To reduce your exposure to these chemicals: work in a well ventilated area, and work with approved safety equipment, such as those dust masks that are specially designed to filter out microscopic particles.

- **Avoid prolonged contact with dust from power sanding, sawing, grinding, drilling, and other construction activities. Wear protective clothing and wash exposed areas with soap and water.** *Allowing dust to get into your mouth, eyes, or lay on the skin may promote absorption of harmful chemicals.*

⚠ WARNING: *Use of this tool can generate and/or disburse dust, which may cause serious and permanent respiratory or other injury. Always use NIOSH/OSHA approved respiratory protection appropriate for the dust exposure. Direct particles away from face and body. Always operate tool in well-ventilated area and provide for proper dust removal. Use dust collection system wherever possible.*

⚠ WARNING: ALWAYS USE SAFETY GLASSES. *Everyday eyeglasses are NOT safety glasses. Also use face or dust mask if cutting operation is dusty. ALWAYS wear certified safety equipment:*

- ANSI Z87.1 eye protection (CAN/CSA Z94.3).
- ANSI S12.6 (S3.19) hearing protection.
- NIOSH/OSHA respiratory protection.

USE OF EXTENSION CORDS

Make sure the extension cord is in good condition before using. Always use the proper size extension cords with the tool – that is, proper wire size for various lengths of cord and heavy enough to carry the current the tool will draw. Use of an undersized cord will cause a drop in line voltage resulting in loss of power and overheating. For proper size cords see chart below.

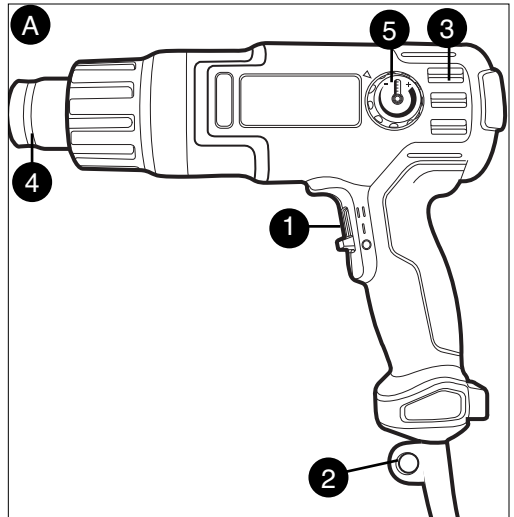
Volts	Minimum Gauge for Cord Sets				
	Total Length of Cord in Feet				
120V	0-25	26-50	51-100	101-150	
	(0-7,6m)	(7,6-15,2m)	(15,2-30,4m)	(30,4-45,7m)	
240V	0-50	51-100	101-200	201-300	
	(0-15,2m)	(15,2-30,4m)	(30,4-60,9m)	(60,9-91,4m)	
Ampere Rating		American Wire Gage			
More Than	Not more Than				
0 -	6	18	16	16	14
6 -	10	18	16	14	12
10 -	12	16	16	14	12
12 -	16	14	12	Not Recommended	

MOTOR

Be sure your power supply agrees with nameplate marking. 120 Volts AC only means your tool will operate on standard 60 Hz household power. Do not operate AC tools on DC. A rating of 120 volts AC/DC means that you tool will operate on standard 60 Hz AC or DC power. This information is printed on the nameplate. Lower voltage will cause loss of power and can result in over-heating. All Black & Decker tools are factory-tested; if this tool does not operate, check the power supply.

FUNCTIONAL DESCRIPTION

1. Two speed switch
2. Hang hole
3. Air vents
4. Hot air nozzle
5. Temperature adjustment knob

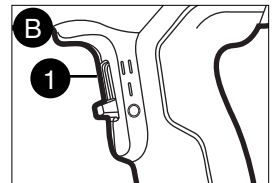


Tool Operation

SWITCH - FIGURE B

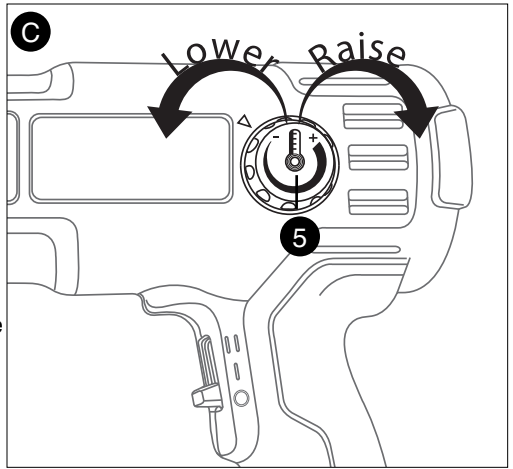
The position of the switch controls both the fan speed and the heat output of the gun. There is considerable overlap in the temperature ranges with the use of the temperature adjustment knob.

- To turn the tool on in low air speed, low heat, slide the switch (1) to the position marked "I".
- To turn the tool on in high air speed, high heat, slide the switch (1) to the position marked "II".
- To turn the tool off, slide the switch (1) to the position marked "0".



TEMPERATURE ADJUSTMENT KNOB - FIGURE C

- To raise the air temperature, turn the knob (5) clockwise.
- To lower the air temperature turn the knob (5) counterclockwise.



REMOVING PAINT - FIGURE D

Efficient paint removal requires the development of technique. Follow the guidelines in this manual and you'll find that you will have mastered the procedure after a few simple projects.

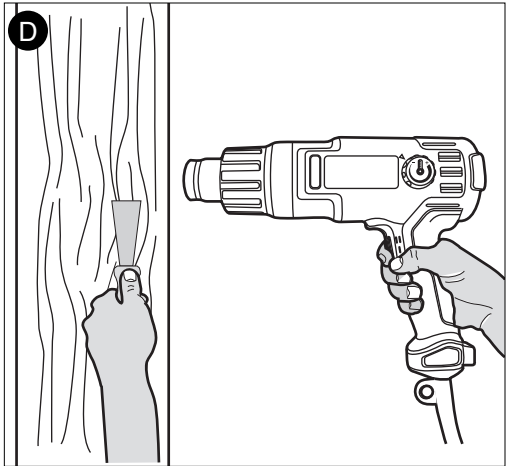
Turn on the tool and hold the nozzle about one inch (25mm) from the surface to be stripped, as shown in **figure D**. (Give the unit about 15-20 seconds running time to reach its full heat potential.)

The paint being heated will usually begin to blister when it reaches the proper temperature for stripping.

When it reaches this point begin scraping with smooth, even strokes. If the paint is sufficiently hot and the scraper is properly suited to the surface being stripped, the paint should come off in a strip equal to the full width of the scraper. Move the unit slightly ahead of the scraper to assure that the paint being stripped is softened.

Best results will be achieved if the heat gun is moved slowly, but constantly, from side to side to evenly distribute heat. Do not linger or pause in one spot.

Remember that splinters and small particles of stripped paint can be ignited and blown through holes and cracks in the surface being stripped.



HINTS ABOUT PAINT STRIPPING

A smooth, downward scraping action will give good results and will help to prevent gouging the work surface.

With some paints, prolonged heating will actually make them tougher to strip. Try a few different heating times until you develop the technique best suited to your particular application.

The heat gun is designed to remove both oil based and latex based paints.

It will not remove stains or primer coats that have impregnated the wood grain.

Scrape paint as soon as it softens, it will soon cool and harden again. Clean the edge of your scraper often to retain a clean, sharp edge. Shield areas adjacent to where you're scraping. For example: shield the door with nonflammable materials if you're stripping the door frame.

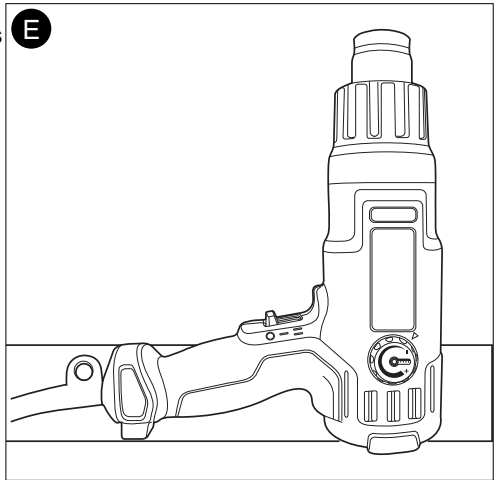
Don't concentrate the tool's heat on a window pane or other glass surface. Excessive heat may crack the glass. Use some nonflammable material to shield the glass when stripping the window frame.

OTHER USES

For hands free operation, place the heat gun on a flat surface as shown in **figure E**.

Aside from stripping paint, your heat gun has a wide array of other uses. Use it for softening linoleum and floor tile and for loosening heat sensitive adhesives. It's perfect for use with heat shrinkable tubing and anywhere you need a portable heat source. You can even use it to thaw frozen metal water pipes.

Automotive uses include reducing set up time on body fillers or drying time on paints (the product manufacturer's recommendations must be followed.) Caution must be exercised around gasoline, automotive fluids, tires, gaskets, upholstery and hoses, etc. to prevent damage or fires. Be constantly aware that this tool can ignite flammable materials and soften or melt others. Avoid overheating adjacent flammable materials such as wood, insulation, electrical wiring jackets or plastic. Thaw only those metal pipe sections that are fully exposed. Do not attempt to thaw pipes that are inside walls, floors, ceilings, or otherwise enclosed. Do not attempt to thaw pipes that are wrapped in insulation.



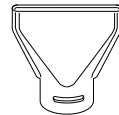
ACCESSORIES

⚠ WARNING: The use of any accessory not recommended for use with this tool could be hazardous. Always unplug the tool before attaching or removing accessories. Do not remove accessory tips until the tool has cooled to room temperature.

The following attachments are included with the BDPG700 Heat Gun.

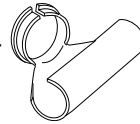
FAN NOZZLE

Wider distribution of the hot air, for working on large surfaces- floors, doors, etc.



SPOOL REFLECTOR

Evenly dispenses air around whole object. Ideal for soldering pipework, shrink sealing electrical cable.



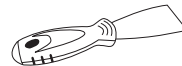
CONE NOZZLE

For precise operations- concentrates the air onto a smaller surface area.



PAINT SCRAPER

For easier paint removal from hard surfaces.



CAUTION: These nozzles remain hot after use. Use care in handling them.

TROUBLESHOOTING

PROBLEM

- Unit will not start.

POSSIBLE CAUSE

- Cord not plugged in.
- Circuit fuse is blown.

- Circuit breaker is tripped.

- Cord or switch is damaged.

POSSIBLE SOLUTION

- Plug tool into a working outlet.
- Replace circuit fuse. (If the product repeatedly causes the circuit fuse to blow, discontinue use immediately and have it serviced at a BLACK & DECKER service center or authorized servicer.)
- Reset circuit breaker. (If the product repeatedly causes the circuit breaker to trip, discontinue use immediately and have it serviced at a BLACK & DECKER service center or authorized servicer.)
- Have cord or switch replaced at a BLACK & DECKER Service Center or Authorized Servicer

For assistance with your product, visit our website www.blackanddecker.com for the location of the service center nearest you or call the BLACK & DECKER help line at **1-800-544-6986**.

ACCESSORIES

Recommended accessories for use with your tool are available from your local dealer or authorized service center. If you need assistance regarding accessories, please call: 1-800-544-6986.

⚠ WARNING: The use of any accessory not recommended for use with this tool could be hazardous.

MAINTENANCE

Use only mild soap and damp cloth to clean the tool. Never let any liquid get inside the tool; never immerse any part of the tool into a liquid.

IMPORTANT: To assure product SAFETY and RELIABILITY, repairs, maintenance and adjustment (other than those listed in this manual) should be performed by authorized service centers or other qualified service personnel, always using identical replacement parts.

SERVICE INFORMATION

All Black & Decker Service Centers are staffed with trained personnel to provide customers with efficient and reliable power tool service. Whether you need technical advice, repair, or genuine factory replacement parts, contact the Black & Decker location nearest you. To find your local service location, refer to the yellow page directory under

"Tools—Electric" or call: **1-800-544-6986** or visit www.blackanddecker.com.

FULL TWO-YEAR HOME USE WARRANTY

Black & Decker (U.S.) Inc. warrants this product for two years against any defects in material or workmanship. The defective product will be replaced or repaired at no charge in either of two ways.

The first, which will result in exchanges only, is to return the product to the retailer from whom it was purchased (provided that the store is a participating retailer). Returns should be made within the time period of the retailer's policy for exchanges (usually 30 to 90 days after the sale). Proof of purchase may be required. Please check with the retailer for their specific return policy regarding returns that are beyond the time set for exchanges.

The second option is to take or send the product (prepaid) to a Black & Decker owned or authorized Service Center for repair or replacement at our option. Proof of purchase may be required. Black & Decker owned and authorized Service Centers are listed under "Tools-Electric" in the yellow pages of the phone directory.

This warranty does not apply to accessories. This warranty gives you specific legal rights and you may have other rights which vary from state to state or province to province. Should you have any questions, contact the manager of your nearest Black & Decker Service Center. This product is not intended for commercial use.

FREE WARNING LABEL REPLACEMENT: If your warning labels become illegible or are missing, call **1-800-544-6986** for a free replacement.

LATIN AMERICA: This warranty does not apply to products sold in Latin America. For products sold in Latin America, check country specific warranty information contained in the packaging, call the local company or see the website for warranty information.

Imported by
Black & Decker (U.S.) Inc.,
701 E. Joppa Rd.
Towson, MD 21286 U.S.A.



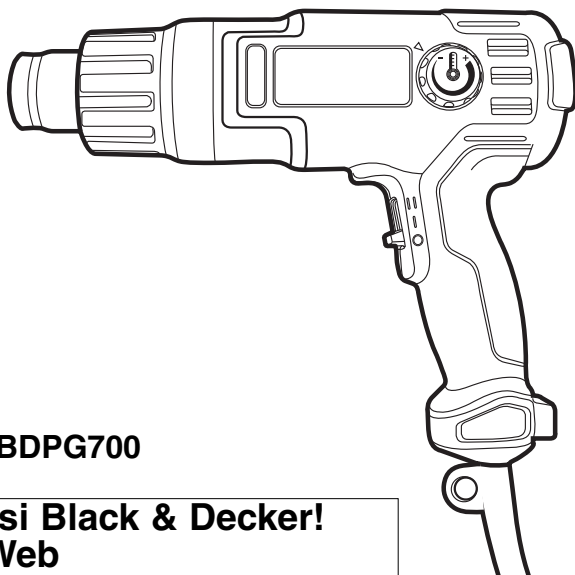
See 'Tools-
Electric'
– Yellow Pages –
for Service &
Sales





Pistolet thermique à température variable et à deux vitesses

MANUEL D'INSTRUCTIONS



N° DE CATALOGUE BDPG700

**Merci d'avoir choisi Black & Decker!
Consulter le site Web
www.BlackandDecker.com/NewOwner
pour enregistrer votre nouveau produit.**

À LIRE AVANT DE RETOURNER CE PRODUIT POUR QUELQUE RAISON QUE CE SOIT :

Si des questions ou des problèmes surgissent après l'achat d'un produit Black & Decker, consulter le site Web [HTTP://WWW.BLACKANDDECKER.COM/INSTANTANSWERS](http://WWW.BLACKANDDECKER.COM/INSTANTANSWERS) pour obtenir des réponses instantanément 24 heures par jour.

Si la réponse est introuvable ou en l'absence d'accès à Internet, composer le 1-800-544-6986 de 8 h à 17 h HNE, du lundi au vendredi, pour parler avec un agent. Prière d'avoir le numéro de catalogue sous la main lors de l'appel.

CONSERVER CE MANUEL POUR UN USAGE ULTÉRIEUR.

LIGNES DIRECTRICES EN MATIÈRE DE SÉCURITÉ - DÉFINITIONS

Il est important que vous lisiez et compreniez ce mode d'emploi. Les informations qu'il contient concernent VOTRE SÉCURITÉ et visent à ÉVITER TOUT PROBLÈME. Les symboles ci-dessous servent à vous aider à reconnaître cette information.

⚠ DANGER : Indique une situation dangereuse imminente qui, si elle n'est pas évitée, causera la mort ou des graves blessures.

⚠ AVERTISSEMENT : Indique une situation potentiellement dangereuse qui, si elle n'est pas évitée, pourrait causer la mort ou de graves blessures.

⚠ MISE EN GARDE : Indique une situation potentiellement dangereuse qui, si elle n'est pas évitée, pourrait causer des blessures mineures ou modérées.

AVIS : Utilisé sans le symbole d'alerte à la sécurité, indique une situation potentiellement dangereuse qui, si elle n'est pas évitée, peut résulter en des dommages à la propriété.

Avertissements de sécurité généraux pour les outils électriques

⚠ AVERTISSEMENT : Lire tous les avertissements de sécurité et toutes les directives. Le non-respect des avertissements et des directives pourrait se solder par un choc électrique, un incendie et/ou une blessure grave.

Conserver tous les avertissements et toutes les directives pour un usage ultérieur.

Le terme «outil électrique» cité dans les avertissements se rapporte à votre outil électrique à alimentation sur secteur (avec fil) ou par piles (sans fil).

1) Sécurité du lieu de travail

- a) **Tenir la zone de travail propre et bien éclairée.** *Les endroits sombres sont souvent des causes d'accidents.*
- b) **Ne pas faire fonctionner d'outils électriques dans un milieu déflagrant, soit en présence de liquides inflammables, de gaz ou de poussière.** *Les outils électriques produisent des étincelles qui peuvent enflammer la poussière ou les vapeurs.*
- c) **Éloigner les enfants et les curieux au moment d'utiliser un outil électrique.** *Une distraction pourrait vous en faire perdre la maîtrise.*

2) Sécurité en matière d'électricité

- a) **Les fiches des outils électriques doivent correspondre à la prise. Ne jamais modifier la fiche en aucune façon.** *Ne jamais utiliser de fiche d'adaptation avec un outil électrique mis à la terre. Le risque de choc électrique sera réduit par l'utilisation de fiches non modifiées correspondant à la prise.*
- b) **Éviter tout contact physique avec des surfaces mises à la terre comme des tuyaux, des radiateurs, des cuisinières et des réfrigérateurs.** *Le risque de choc électrique est plus élevé si votre corps est mis à la terre.*
- c) **Ne pas exposer les outils électriques à la pluie ou à d'autres conditions où il pourrait être mouillé.** *La pénétration de l'eau dans un outil électrique augmente le risque de choc électrique.*
- d) **Ne pas utiliser abusivement le cordon d'alimentation. Ne jamais utiliser le cordon pour transporter, tirer ou débrancher un outil électrique.** *Tenir le cordon éloigné de la chaleur, de l'huile, des bords tranchants ou des pièces mobiles. Les cordons endommagés ou emmêlés augmentent les risques de choc électrique.*
- e) **Pour l'utilisation d'un outil électrique à l'extérieur, se servir d'une rallonge convenant à une telle utilisation.** *L'utilisation d'une rallonge conçue pour l'extérieur réduit les risques de choc électrique.*
- f) **S'il est impossible d'éviter l'utilisation d'un outil électrique dans un endroit humide, brancher l'outil dans une prise ou sur un circuit d'alimentation dotés d'un disjoncteur de fuite à la terre (GFCI).** *L'utilisation de ce type de disjoncteur réduit les risques de choc électrique.*

3) Sécurité personnelle

- a) **Être vigilant, surveiller le travail effectué et faire preuve de jugement lorsqu'un outil électrique est utilisé. Ne pas utiliser d'outil électrique en cas de fatigue ou sous l'influence de drogues, d'alcool ou de médicaments.** *Un simple moment d'inattention en utilisant un outil électrique peut entraîner des*

blessures corporelles graves.

- b) **Utiliser des équipements de protection individuelle. Toujours porter une protection oculaire.** *L'utilisation d'équipements de protection comme un masque antipoussière, des chaussures antidérapantes, un casque de sécurité ou des protecteurs auditifs lorsque la situation le requiert réduira les risques de blessures corporelles.*
 - c) **Empêcher les démarrages intempestifs. S'assurer que l'interrupteur se trouve à la position d'arrêt avant de relier l'outil à une source d'alimentation et/ou d'insérer un bloc-piles, de ramasser ou de transporter l'outil.** *Transporter un outil électrique alors que le doigt repose sur l'interrupteur ou brancher un outil électrique dont l'interrupteur est à la position de marche risque de provoquer un accident.*
 - d) **Retirer toute clé de réglage ou clé standard avant de démarrer l'outil.** *Une clé standard ou une clé de réglage attachée à une partie pivotante peut causer des blessures.*
 - e) **Ne pas trop tendre les bras. Conserver son équilibre en tout temps.** *Cela permet de mieux maîtriser l'outil électrique dans les situations imprévues.*
 - f) **S'habiller de manière appropriée. Ne pas porter de vêtements amples ni de bijoux. Garder les cheveux, les vêtements et les gants à l'écart des pièces mobiles.** *Les vêtements amples, les bijoux ou les cheveux longs risquent de rester coincés dans les pièces mobiles.*
 - g) **Si des composants sont fournis pour le raccordement de dispositifs de dépoussiérage et de ramassage, s'assurer que ceux-ci sont bien raccordés et utilisés.** *L'utilisation d'un dispositif de dépoussiérage peut réduire les dangers engendrés par les poussières.*
- 4) **Utilisation et entretien d'un outil électrique**
- a) **Ne pas forcer un outil électrique. Utiliser l'outil électrique approprié à l'application.** *L'outil électrique approprié effectuera un meilleur travail, de façon plus sûre et à la vitesse pour laquelle il a été conçu.*
 - b) **Ne pas utiliser un outil électrique dont l'interrupteur est défectueux.** *Tout outil électrique dont l'interrupteur est défectueux est dangereux et doit être réparé.*
 - c) **Débrancher la fiche du secteur ou le bloc-piles de l'outil électrique avant de faire tout réglage ou changement d'accessoire, ou avant de ranger l'outil électrique.** *Ces mesures préventives réduisent les risques de démarrage accidentel de l'outil électrique.*
 - d) **Ranger les outils électriques hors de la portée des enfants, et ne permettre à aucune personne n'étant pas familière avec un outil électrique (ou son manuel d'instruction) d'utiliser ce dernier.** *Les outils électriques deviennent dangereux entre les mains d'utilisateurs inexpérimentés.*
 - e) **Entretenir les outils électriques. Vérifier les pièces mobiles pour s'assurer qu'elles sont bien alignées et tournent librement, qu'elles sont en bon état et ne sont affectées par aucun trouble susceptible de nuire au bon fonctionnement de l'outil électrique. En cas de dommage, faire réparer l'outil électrique avant toute nouvelle utilisation.** *Beaucoup d'accidents sont causés par des outils électriques mal entretenus.*
 - f) **S'assurer que les outils de coupe sont aiguisés et propres.** *Les outils de coupe bien entretenus et affûtés sont moins susceptibles de se coincer et sont plus faciles à contrôler.*
 - g) **Utiliser l'outil électrique, les accessoires, les forets, etc. conformément aux présentes directives en tenant compte des conditions de travail et du travail à effectuer.** *L'utilisation d'un outil électrique pour toute opération autre que celle pour laquelle il a été conçu est dangereuse.*
- 5) **Réparation**
- a) **Faire réparer l'outil électrique par un réparateur professionnel en n'utilisant que des pièces de rechange identiques.** *Cela permettra de maintenir une utilisation sécuritaire de l'outil électrique.*

Consignes supplémentaires de sécurité

CONSIGNES IMPORTANTES DE SÉCURITÉ AU SUJET DES PISTOLETS THERMIQUES

1. Se rappeler que les endroits cachés comme l'arrière des murs, des plafonds, sous les planchers, les planches de soffite et autres peuvent comporter des matériaux inflammables qui peuvent être enflammés lors du décapage de la peinture. Un tel incendie peut ne pas être facilement détecté et provoquer des dommages considérables ainsi que des blessures. La température de ce pistolet thermique peut excéder 538 °C (1 000 °F).

2. Ne pas utiliser cet outil comme séchoir à cheveux.
3. Toujours éteindre le pistolet thermique, le débrancher et le laisser refroidir durant au moins 30 minutes avant de le déplacer ou de le ranger. Ne pas déposer le pistolet thermique sur des surfaces inflammables durant son utilisation ou immédiatement après l'avoir éteint. Toujours déposer le pistolet sur une surface plane de manière à ce que le bec soit pointé vers le haut lors du refroidissement de l'appareil. Pour faciliter le rangement de l'outil, celui-ci peut être suspendu par le trou d'accrochage. Le pistolet thermique doit être rangé à l'intérieur.
4. Toujours utiliser des grattoirs et des couteaux de décapage de bonne qualité.
5. Ne jamais obstruer l'entrée d'air ou la buse de sortie.
6. S'assurer de diriger l'air chaud dans une direction sûre, éloignée des gens ou des objets inflammables.
7. Ne pas toucher à la buse métallique qui devient très chaude.
8. Ne pas toucher une surface quelconque avec la buse pendant que l'outil fonctionne ou peu après son fonctionnement.
9. Éviter d'introduire quoi que ce soit dans la buse.
10. Connaître la zone de travail. Se rappeler que les endroits situés à l'arrière des planches de soffite, des plafonds et sous les planchers peuvent comporter des matériaux très inflammables. Vérifier ces endroits avant d'appliquer la chaleur.
11. Après l'utilisation, nettoyer la peinture sèche de la buse; elle pourrait s'enflammer.
12. Nettoyer fréquemment la lame de raclage au cours de l'utilisation; elle pourrait s'enflammer.
13. Ne pas utiliser le pistolet thermique en même temps que des décapants chimiques.
14. Ne pas utiliser les buses accessoires comme grattoirs.
15. Tenir la buse éloignée du cordon d'alimentation.
16. Ne pas utiliser l'outil pour cuire des aliments ou les réchauffer.
17. Toujours être conscient que cet outil peut enflammer les matériaux inflammables et amollir ou en faire fondre d'autres. Peu importe la tâche effectuée, protéger ou se tenir éloigné de ces matériaux qui sont près de la zone de travail.

Après que l'outil est mis hors tension, on peut à l'occasion percevoir une légère fumée. Ceci provient du chauffage de l'huile résiduelle qui a été déposée sur l'élément de chauffage au cours de la fabrication.

AVIS IMPORTANT :

Pour que cet outil soit efficace comme décapant pour peinture, il doit générer des températures extrêmement élevées. Par conséquent, cet outil est en mesure d'enflammer du papier, du bois, de la peinture, des résidus du vernis ainsi que des matériaux semblables.

Le danger d'inflammabilité des matériaux diminue à mesure qu'on connaît l'outil et qu'on met au point une technique de travail appropriée. La pratique est le meilleur moyen d'établir la technique adéquate! Travailler sur des projets simples de décapage, de préférence à l'extérieur, jusqu'à ce qu'on apprenne la façon d'utiliser l'outil de manière sûre et efficace.

Observer les méthodes de sécurité suivantes lors de la pratique :

1. Toujours s'assurer que l'outil est mis hors tension et débranché lorsqu'il est sans surveillance.
2. Nettoyer souvent la lame de raclage au cours de l'utilisation. Les résidus accumulés sur la lame sont très inflammables.
3. Expérimenter pour découvrir la distance optimale de la buse de l'outil à la surface décapée. Cette distance (généralement 25-50 mm) (1-2 po) varie selon le matériau enlevé.
4. En tout temps, déplacer le pistolet thermique à l'avant de la lame de raclage.
5. Pendant le travail, nettoyer les morceaux de peinture qui s'accumulent autour de la zone de travail.
6. Lors d'un travail à l'intérieur, se tenir éloigné des rideaux, des papiers, de l'ameublement et de matériaux inflammables semblables.

7. Toujours se rappeler qu'il s'agit d'un outil électrique sérieux qui est capable de donner d'excellents résultats s'il est bien utilisé. S'exercer sur des projets simples jusqu'à ce qu'on soit à l'aise avec l'outil. Alors seulement aurez-vous maîtrisé la technique adéquate.

⚠ AVERTISSEMENT : S'assurer d'être très prudent lors du décapage de la peinture. Le pelage, les résidus et les émanations de peinture peuvent contenir du plomb qui est poison. Toute peinture antérieure à 1997 peut contenir du plomb et les peintures appliquées aux maisons avant 1950 en contiennent fort probablement. Une fois le plomb déposé sur des surfaces, le contact de la main à la bouche peut résulter en une ingestion de plomb. L'exposition à des niveaux même faibles de plomb peut provoquer des dommages irréversibles au cerveau et au système nerveux; les jeunes enfants ou les enfants à naître sont particulièrement vulnérables.

Avant de commencer à enlever la peinture, on doit déterminer si la peinture contient du plomb. Ceci peut être effectué par le bureau de santé local ou par un professionnel qui utilise un analyseur de peinture pour vérifier le contenu en plomb de la peinture à enlever. La peinture à base de plomb ne doit être enlevée que par un professionnel et ne doit pas être enlevée à l'aide d'un pistolet thermique.

Les personnes qui enlèvent de la peinture doivent toujours suivre les lignes directrices suivantes :

1. Déplacer la pièce à décapier à l'extérieur. Si cela est impossible, bien ventiler l'espace de travail. Ouvrir les fenêtres et placer un ventilateur d'extraction dans l'une de ces dernières. S'assurer que le ventilateur déplace l'air de l'intérieur vers l'extérieur.
2. Enlever ou couvrir les tapis, le mobilier, les vêtements, les ustensiles de cuisine et les conduits d'air.
3. Poser des toiles de protection dans la zone de travail pour récupérer les éclats ou les pelages de peinture. Porter des vêtements protecteurs comme des chemises de travail supplémentaires, des couvre-vêtements et des casquettes.
4. Travailler dans une pièce à la fois. L'ameublement doit être enlevé ou placé au centre de la pièce et recouvert. Les zones de travail doivent être scellées du reste de l'habitation en posant des toiles de protection dans les entrées de porte.
5. Les enfants, les femmes enceintes ou potentiellement enceintes ainsi que les mères allaitantes ne doivent pas être présents dans la zone de travail jusqu'à ce que le travail soit terminé et l'espace nettoyé complètement.
6. Porter un masque respirateur antipoussières ou un respirateur à double filtre (poussières et émanations) approuvé par le Occupational Safety and Health Administration (OSHA), le National Institute of Safety and Health (NIOSH) ou le United States Bureau of Mines. Ces masques ainsi que leurs filtres remplaçables sont facilement disponibles dans les quincailleries importantes. S'assurer que le masque est bien ajusté. Les barbes et les poils faciaux peuvent empêcher le bon ajustage du masque. Changer souvent les filtres. Les masques en papier jetables ne sont pas suffisants.
7. Prendre des précautions lors du fonctionnement du pistolet thermique. Garder le pistolet thermique en mouvement car une chaleur excessive génère des émanations qui peuvent être inhalées par l'utilisateur.
8. Conserver les aliments et les breuvages hors de la zone de travail. Se laver les mains, les bras et le visage et se rincer la bouche avant de manger ou de boire. Ne pas fumer ou mâcher de gomme ou de tabac dans la zone de travail.
9. Nettoyer toute la peinture décapée et la poussière en lavant les planchers. Utiliser un linge humide pour nettoyer les murs, les seuils et toutes autres surfaces comportant des poussières de peinture ou autres. Ne pas balayer, épousseter à sec ou utiliser un aspirateur. Utiliser un détergent à haute teneur en phosphate ou à phosphate trisodique (TSP) pour laver les endroits en question.
10. À la fin de chaque session de travail, placer les éclats de peinture et les débris dans un sac de plastique double, le fermer à l'aide de ruban ou d'attache torsadée et s'en débarrasser de manière adéquate.
11. Enlever les vêtements protecteurs ainsi que les chaussures de travail dans la zone de travail pour éviter de transporter de la poussière dans le reste de l'habitation. Laver séparément les vêtements de travail. Essuyer les chaussures à l'aide d'un chiffon humide qui est alors lavé avec les vêtements de travail. Se laver les cheveux et le corps à fond avec de l'eau et du savon.

CONSERVER CES CONSIGNES POUR USAGE ULTÉRIEUR

L'étiquette apposée sur votre outil pourrait comprendre les symboles suivants. Les symboles et leurs définitions sont indiqués ci-après :

V	volts	A	ampères
Hz	hertz	W.....	watts
min	minutes	~	courant alternatif
— — —	courant continue	non	régime à vide
☐	Construction classe II	⊖	borne de terre

⚠

.....symbole d'alerte à la	.../min	révolutions ou alternance par minute
----------------------------	---------------	--------------------------------------

sécurité

⚠ AVERTISSEMENT : certains outils électriques, tels que les sableuses, les scies, les meules, les perceuses ou certains autres outils de construction, peuvent produire de la poussière contenant des produits chimiques reconnus par l'État de la Californie comme étant susceptibles d'entraîner le cancer, des malformations congénitales ou pouvant être nocifs pour le système reproductif. Parmi ces produits chimiques, on retrouve :

- le plomb dans les peintures à base de plomb,
- la silice cristalline dans les briques et le ciment et autres produits de maçonnerie,
- l'arsenic et le chrome dans le bois de sciage ayant subi un traitement chimique.

Le risque associé à de telles expositions varie selon la fréquence avec laquelle on effectue ces travaux. Pour réduire l'exposition à de tels produits, il faut travailler dans un endroit bien aéré et utiliser le matériel de sécurité approprié, tel un masque anti-poussières spécialement conçu pour filtrer les particules microscopiques.

• **Éviter tout contact prolongé avec la poussière soulevée par cet outil ou autres outils électriques. Porter des vêtements de protection et nettoyer les parties exposées du corps avec de l'eau savonneuse.** S'assurer de bien se protéger afin d'éviter d'absorber par la bouche, les yeux ou la peau des produits chimiques nocifs.

⚠ AVERTISSEMENT : Cet outil peut produire et répandre de la poussière susceptible de causer des dommages sérieux et permanents au système respiratoire. Toujours utiliser un appareil respiratoire anti-poussières approuvé par le NIOSH ou l'OSHA. Diriger les particules dans le sens opposé du visage et du corps.

⚠ AVERTISSEMENT : TOUJOURS porter des lunettes de sécurité. Les lunettes de vue ne constituent PAS des lunettes de sécurité. Utiliser également un masque facial ou anti-poussière si l'opération de découpe génère de la poussière. TOUJOURS PORTER UN ÉQUIPEMENT DE PROTECTION HOMOLOGUÉ :

- protection oculaire conforme à la norme ANSI Z87.1 (CAN/CSA Z94.3);
- protection auditive ANSI S12.6 (S3.19);
- protection des voies respiratoires conformes aux normes NIOSH/OSHA/MSHA.

CORDONS DE RALLONGE

S'assurer que le cordon de rallonge est en bon état avant de s'en servir. Toujours utiliser un cordon de calibre approprié selon la longueur du cordon et la tension nécessaire au fonctionnement de l'outil. L'utilisation d'un cordon de calibre inférieur occasionne une baisse de tension entraînant une perte de puissance et la surchauffe. Le tableau suivant indique le calibre approprié pour les cordons.

Calibre minimal des cordons de rallonge					
Tension		Longueur totale du cordon en pieds			
120V		0-25	26-50	51-100	101-150
		(0-7,6m)	(7,6-15,2m)	(15,2-30,4m)	(30,4-45,7m)
240V		0-50	51-100	101-200	201-300
		(0-15,2m)	(15,2-30,4m)	(30,4-60,9m)	(60,9-91,4m)
Intensité (A)		Calibre moyen des fils (AWG)			
Au moins	Au plus				
0	- 6	18	16	16	14
6	- 10	18	16	14	12
10	- 12	16	16	14	12
12	- 16	14	12	Non recommandé	

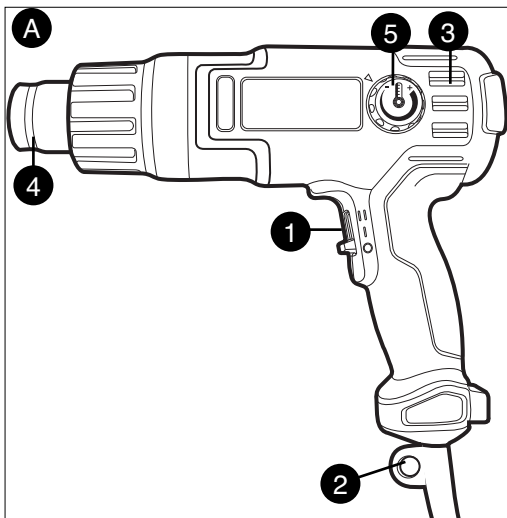
MOTEUR

Veiller à ce que la tension d'alimentation soit conforme aux exigences de la plaque signalétique de l'outil. La mention «120 volts c.a. seulement» signifie que l'outil fonctionne s'il est branché dans une prise domestique standard de 60 Hz. Ne pas utiliser les outils à tension secteur sur du courant continu. La mention «120 volts c.a./c.c.» signifie que l'outil fonctionne sur du courant alternatif ou sur du courant continu. Ces renseignements sont imprimés sur la plaque signalétique de l'outil. Une tension inférieure entraîne une baisse de puissance et peut causer la surchauffe de l'outil. Tous les outils Black & Decker sont testés en usine; si cet outil ne fonctionne pas, vérifier le bloc d'alimentation

DESCRIPTION FONCTIONNELLE

- FIGURE A

1. Interrupteur à deux vitesses
2. Trou de suspension
3. Événements
4. Buse à air chaud
5. Bouton de réglage de la température

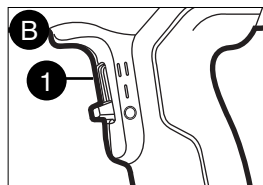


Fonctionnement de l'outil

COMMUTATEUR - FIGURE B

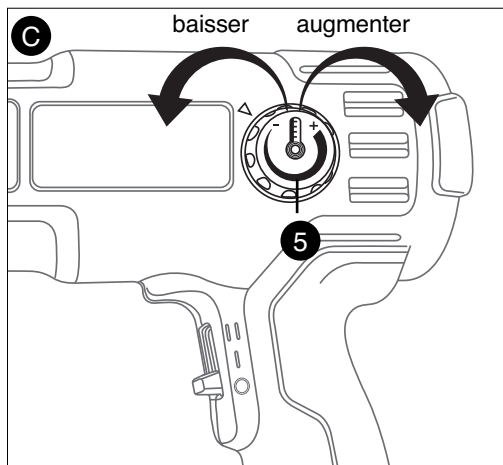
La position de l'interrupteur commande à la fois la vitesse du ventilateur et la puissance calorifique du pistolet. L'utilisation du bouton de réglage de la température entraîne un chevauchement important dans la plage des températures.

- Pour allumer l'outil de manière à être réglé aux positions de faible débit d'air et de basse température, glisser l'interrupteur (1) à la position arborant la lettre « I ».
- Pour allumer l'outil de manière à être réglé aux positions de débit d'air élevé et de température élevée, glisser l'interrupteur (1) à la position arborant les lettres « II ».
- Pour éteindre l'outil, glisser l'interrupteur (1) à la position arborant le chiffre « 0 ».



BOUTON DE RÉGLAGE DE LA TEMPÉRATURE - FIGURE C

- Pour augmenter la température de l'air, tourner le bouton (5) dans le sens horaire.
- Pour baisser la température de l'air, tourner le bouton (5) dans le sens antihoraire.



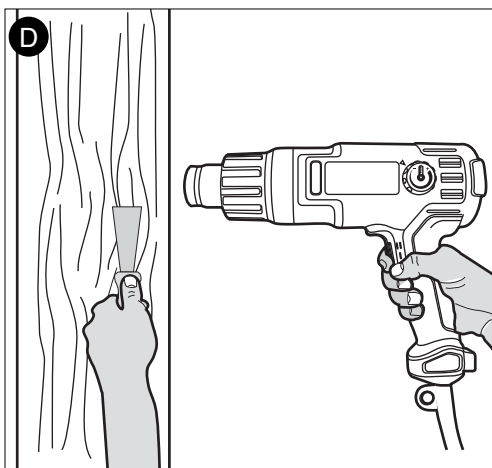
DÉCAPAGE DE LA PEINTURE

- FIGURE D

Le décapage efficace de la peinture exige la mise au point d'une technique. Suivre les lignes directrices du présent manuel. Après quelques projets simples, on en maîtrise la façon de faire.

Mettre l'outil en marche et tenir la buse à environ un pouce de la surface à décaper, comme l'illustre la **figure D**. (Laisser à l'outil de 15 à 20 secondes pour atteindre sa chaleur maximale). La peinture chauffée commence habituellement à cloquer lorsque l'outil atteint la température de décapage adéquate. Lorsque l'outil en est arrivé à ce point, commencer à racler par coups souples et uniformes. Si la peinture est suffisamment chaude et que le racloir est adéquat pour la surface à décaper, la peinture doit se détacher sur la pleine largeur du racloir. Déplacer l'outil légèrement à l'avant du racloir pour s'assurer d'amollir la peinture.

On obtient de meilleurs résultats si le pistolet thermique est déplacé lentement, mais constamment, d'un côté à l'autre pour distribuer la chaleur uniformément. Ne pas traîner ou s'arrêter en un endroit. Se rappeler que les éclats et les petites particules de peinture décapée peuvent s'enflammer et être soufflés dans des trous et des fissures de la surface décapée.



CONSEILS SUR LE DÉCAPAGE DE LA PEINTURE

Un raclage uniforme vers le bas donne de bons résultats et aide à ne pas entailler la surface de travail.

Dans le cas de certaines peintures, un chauffage prolongé les rend plus difficiles à décaper. Essayer des durées de chauffage différentes jusqu'à ce qu'on soit en mesure de mettre au point la technique la mieux adaptée à une application particulière.

Le pistolet thermique est conçu pour enlever les peintures à base d'huile et de latex. Il n'enlève pas les teintures ou les couches d'apprêt qui ont imprégné le grain du bois.

Racler la peinture aussitôt qu'elle a ramolli car elle se refroidit et se durcit rapidement de nouveau.

Nettoyer souvent le rebord du racloir pour le maintenir propre et coupant.

Protéger les zones adjacentes au décapage. Par exemple : protéger la porte à l'aide de matériaux ininflammables si on décape le cadre de porte.

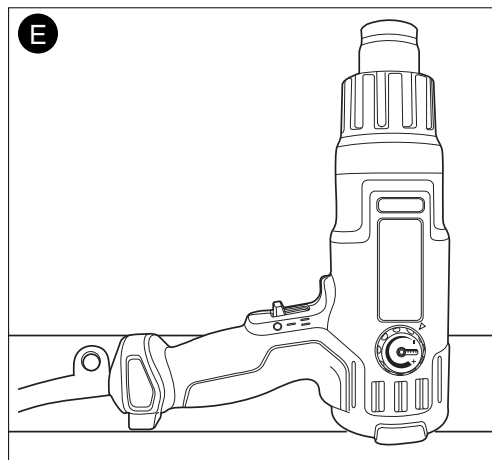
Ne pas concentrer la chaleur de l'outil sur la vitre d'une fenêtre ou sur une autre surface en verre. Une chaleur excessive peut faire éclater le verre. Utiliser un matériau ininflammable pour protéger le verre lors du décapage du cadre de fenêtre.

AUTRES UTILISATIONS

Pour une utilisation mains libres, déposer le pistolet thermique sur une surface plate comme le montre la **figure E**.

En plus de décaper la peinture, le pistolet thermique possède une vaste gamme d'utilisations. Utiliser l'outil pour amollir le linoléum et les carreaux de plancher ainsi que pour décoller les adhésifs sensibles à la chaleur. Il est d'un emploi parfait avec des tubes thermorétractibles et partout où on a besoin d'une source de chaleur portable. On peut même l'utiliser pour dégeler des tuyaux d'eau en métal.

Dans le domaine automobile, on peut l'utiliser pour réduire le temps de prise des mastics de finition ou le temps de séchage des peintures (on doit se conformer aux recommandations du fabricant du produit).



Faire preuve de prudence en présence d'essence, de liquides automobiles, de pneus, de joints d'étanchéité, de garniture souple, de flexibles, etc. afin d'éviter tout dommage ou incendie. Être conscient en tout temps que cet outil peut enflammer les matières inflammables et en ramollir ou en faire fondre d'autres. Éviter de surchauffer les matières inflammables à proximité, comme le bois, les isolants, les gaines de fils électriques ou le plastique. Dégeler uniquement les sections de tuyau métallique qui sont entièrement exposées. Ne pas dégeler les tuyaux qui se trouvent à l'intérieur des murs, des planchers, des plafonds ou dans tout endroit fermé. Ne pas dégeler les tuyaux enveloppés d'isolant.

DÉPANNAGE

Problème

- L'appareil refuse de démarrer.

Cause possible

- Cordon d'alimentation non branché.
- Le fusible du circuit est grillé.
- Le disjoncteur est déclenché.
- Le cordon d'alimentation ou la prise de courant est endommagé(e).

Solution possible

- Brancher l'outil dans une prise qui fonctionne.
- Remplacer le fusible du circuit. (Si le produit fait griller de façon répétée le fusible du circuit, arrêter immédiatement d'utiliser le produit et le faire réparer dans un centre de réparation BLACK & DECKER ou un centre de réparation autorisé.)
- Remettre le disjoncteur à zéro. (Si le produit fait déclencher de façon répétée le disjoncteur, arrêter immédiatement d'utiliser le produit et le faire réparer dans un centre de réparation BLACK & DECKER ou un centre de réparation autorisé.)
- Faire remplacer le cordon ou l'interrupteur au centre de réparation BLACK & DECKER ou à un centre de réparation autorisé.

Pour obtenir de l'aide avec l'outil, consulter notre site Web www.blackanddecker.com pour l'emplacement du centre de réparation le plus près ou communiquer avec l'assistance **BLACK & DECKER** au **1-800-544-6986**.

Accessoires

Les détaillants et le centre de service de la région vendent les accessoires recommandés pour l'outil. Pour trouver un accessoire, composer le **1 800 544-6986**.

⚠ AVERTISSEMENT : L'utilisation de tout accessoire non recommandé pour l'outil peut être dangereuse.

ENTRETIEN

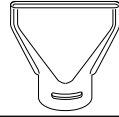
Nettoyer l'outil seulement à l'aide d'un savon doux et d'un linge humide. Ne laisser aucun liquide s'infiltrer dans l'outil et ne jamais immerger l'outil.

IMPORTANT : Pour assurer la SÉCURITÉ D'EMPLOI et la FIABILITÉ de l'outil, n'en confier la réparation, l'entretien et les rajustements qu'à un centre de service ou à un atelier d'entretien autorisé n'utilisant que des pièces de rechange identiques.

Les équipements suivants sont compris avec le pistolet thermique BDPG700.

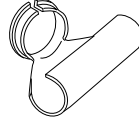
BUSE À JET ÉVENTAIL

Distribution plus large de l'air chaud pour travailler sur des surfaces larges - planchers, portes, etc..



RÉFLECTEUR EN BOBINE

Projette l'air également autour de l'objet complet. Idéal pour souder des tuyaux, thermorétrécir du câble électrique.



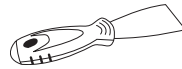
BUSE EN CÔNE

Pour travail de précision - concentre l'air sur une plus petite surface.



GRATTOIR À PEINTURE

Pour le décapage de peinture facile à partir de surfaces dures.



⚠ **MISE EN GARDE** : Ces buses demeurent chaudes après utilisation. Les manipuler avec prudence.

Information sur les réparations

Tous les centres de réparation Black & Decker sont dotés de personnel qualifié en matière d'outillage électrique; ils sont donc en mesure d'offrir à leur clientèle un service efficace et fiable. Que ce soit pour un avis technique, une réparation ou des pièces de rechange authentiques installées en usine, communiquer avec l'établissement Black & Decker le plus près de chez vous. Pour trouver l'établissement de réparation de votre région, consulter le répertoire des Pages jaunes à la rubrique « Outils électriques » ou composer le numéro suivant : **1-800-544-6986** ou consulter le site **www.blackanddecker.com**

Garantie complète de deux ans pour une utilisation domestique

Black & Decker (É.-U.) Inc. garantit ce produit pour une durée de deux ans contre tout défaut de matériau ou de fabrication. Le produit défectueux sera remplacé ou réparé sans frais de l'une des deux façons suivantes :

La première façon consiste en un simple échange chez le détaillant qui l'a vendu (pourvu qu'il s'agisse d'un détaillant participant). Tout retour doit se faire durant la période correspondant à la politique d'échange du détaillant (habituellement, de 30 à 90 jours après l'achat). Une preuve d'achat peut être requise. Vérifier auprès du détaillant pour connaître sa politique concernant les retours hors de la période définie pour les échanges.

La deuxième option est d'apporter ou d'envoyer le produit (transport payé d'avance) à un centre de réparation autorisé ou à un centre de réparation de Black & Decker pour faire réparer ou échanger le produit, à notre discrétion. Une preuve d'achat peut être requise. Les centres Black & Decker et les centres de service autorisés sont répertoriés dans les pages jaunes, sous la rubrique « Outils électriques ».

Cette garantie ne s'applique pas aux accessoires. Cette garantie vous accorde des droits légaux spécifiques et vous pourriez avoir d'autres droits qui varient d'un État ou d'une province à l'autre. Pour toute question, communiquer avec le directeur du centre de réparation Black & Decker le plus près de chez vous. Ce produit n'est pas destiné à un usage commercial.

REMPLACEMENT GRATUIT DES ÉTIQUETTES D'AVERTISSEMENT : si les étiquettes d'avertissement deviennent illisibles ou sont manquantes, composer le **1-800-544-6986** pour en obtenir le remplacement gratuit.

Imported by / Importé par
Black & Decker Canada Inc.
100 Central Ave.
Brockville (Ontario) K6V 5W6

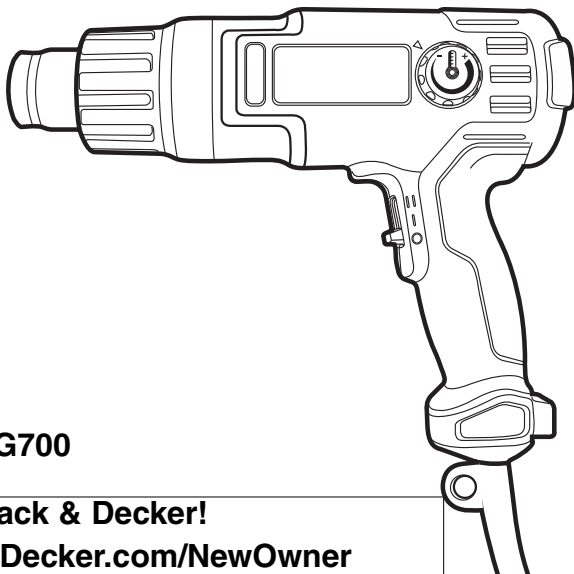
Voir la rubrique "Outils
électriques"
des Pages Jaunes
pour le service et les ventes.



BLACK&DECKER®

Pistola de calor de dos velocidades y temperatura variable

MANUAL DE INSTRUCCIONES



CATÁLOGO N° BDPG700

Gracias por elegir Black & Decker!

**Visite www.BlackandDecker.com/NewOwner
para registrar su nuevo producto.**

LEA EL MANUAL ANTES DE DEVOLVER ESTE PRODUCTO POR CUALQUIER MOTIVO:

Si tiene una consulta o algún inconveniente con su producto Black & Decker, visite
[HTTP://WWW.BLACKANDDECKER.COM/INSTANTANSWERS](http://www.blackanddecker.com/instantanswers)
para obtener respuestas instantáneas las 24 horas del día.

Si no encuentra la respuesta o no tiene acceso a Internet, llame al 1-800-544-6986 de
lunes a viernes de 8 a.m. a 5 p.m. hora del Este para hablar con un agente.

Cuando llame, tenga a mano el número de catálogo.

CONSERVE ESTE MANUAL PARA FUTURAS CONSULTAS.

PAUTAS DE SEGURIDAD/DEFINICIONES

Es importante que lea y comprenda este manual. La información que contiene se relaciona con la protección de SU SEGURIDAD y la PREVENCIÓN DE PROBLEMAS. Los símbolos que siguen se utilizan para ayudarlo a reconocer esta información.

⚠ PELIGRO: indica una situación de peligro inminente que, si no se evita, provocará la muerte o lesiones graves.

⚠ ADVERTENCIA: indica una situación de peligro potencial que, si no se evita, provocará la muerte o lesiones graves.

⚠ PRECAUCIÓN: indica una situación de peligro potencial que, si no se evita, provocará lesiones leves o moderadas.

PRECAUCIÓN: utilizado sin el símbolo de alerta de seguridad indica una situación de peligro potencial que, si no se evita, puede provocar daños en la propiedad.

Advertencias generales de seguridad para herramientas eléctricas

⚠ ADVERTENCIA: Lea todas las advertencias de seguridad e instrucciones. El incumplimiento de las advertencias e instrucciones puede provocar descargas eléctricas, incendios o lesiones graves.

Conserve todas las advertencias e instrucciones para futuras consultas.

El término “herramienta eléctrica” incluido en las advertencias hace referencia a las herramientas eléctricas operadas con corriente (con cable eléctrico) o a las herramientas eléctricas operadas con baterías (inalámbricas).

1) Seguridad en el área de trabajo

- a) Mantenga el área de trabajo limpia y bien iluminada. *Las áreas abarrotadas y oscuras propician accidentes.*
- b) No opere herramientas eléctricas en atmósferas explosivas, como ambientes donde se encuentran líquidos, gases o polvo inflamables. *Las herramientas eléctricas originan chispas que pueden encender el polvo o los vapores.*
- c) Mantenga a los niños y espectadores alejados de la herramienta eléctrica en funcionamiento. *Las distracciones pueden provocar la pérdida de control.*

2) Seguridad eléctrica

- a) Los enchufes de la herramienta eléctrica deben adaptarse al tomacorriente. Nunca modifique el enchufe de ninguna manera. No utilice ningún enchufe adaptador con herramientas eléctricas con conexión a tierra. *Los enchufes no modificados y que se adaptan a los tomacorrientes reducirán el riesgo de descarga eléctrica.*
- b) Evite el contacto corporal con superficies puestas a tierra, como por ejemplo tuberías, radiadores, rangos y refrigeradores. *Existe mayor riesgo de descarga eléctrica si su cuerpo está puesto a tierra.*
- c) No exponga las herramientas eléctricas a la lluvia o a condiciones de humedad. *Si ingresa agua a una herramienta eléctrica, aumentará el riesgo de descarga eléctrica.*
- d) No maltrate al cable. Nunca utilice el cable para transportar, tirar o desenchufar la herramienta eléctrica. Mantenga el cable lejos del calor, aceite, bordes afilados o piezas móviles. *Los cables dañados o enredados aumentan el riesgo de descarga eléctrica.*
- e) Al operar una herramienta eléctrica en el exterior, utilice un cable prolongador adecuado para tal uso. *Utilice un cable adecuado para uso en exteriores a fin de reducir el riesgo de descarga eléctrica.*
- f) Si el uso de una herramienta eléctrica en un lugar húmedo es imposible de evitar, utilice un suministro protegido con un dispositivo de corriente residual (RCD). *El uso de un RCD reduce el riesgo de descargas eléctricas.*

3) Seguridad personal

- a) Permanezca alerta, controle lo que está haciendo y utilice el sentido común cuando emplee una herramienta eléctrica. *No utilice una herramienta eléctrica si está cansado o bajo el efecto de drogas, alcohol o medicamentos. Un momento de descuido mientras se opera una herramienta eléctrica puede provocar lesiones personales graves.*

- b) **Utilice equipos de protección personal. Siempre utilice protección para los ojos.** *En las condiciones adecuadas, el uso de equipos de protección, como máscaras para polvo, calzado de seguridad antideslizante, cascos o protección auditiva, reducirá las lesiones personales.*
- c) **Evite el encendido por accidente. Asegúrese de que el interruptor esté en la posición de apagado antes de conectarlo a la fuente de energía o paquete de baterías, o antes de levantar o transportar la herramienta.** *Transportar herramientas eléctricas con el dedo apoyado en el interruptor o enchufar herramientas eléctricas con el interruptor en la posición de encendido puede propiciar accidentes.*
- d) **Retire las clavijas de ajuste o llaves de tuercas antes de encender la herramienta eléctrica.** *Una llave de tuercas o una clavija de ajuste que se deje conectada a una pieza giratoria de la herramienta eléctrica pueden provocar lesiones personales.*
- e) **No se estire. Conserve el equilibrio adecuado y manténgase parado correctamente en todo momento.** *Esto permite un mejor control de la herramienta eléctrica en situaciones inesperadas.*
- f) **Use la vestimenta adecuada. No use ropas holgadas ni joyas. Mantenga el cabello, la ropa y los guantes alejados de las piezas en movimiento.** *Las ropas holgadas, las joyas o el cabello largo pueden quedar atrapados en las piezas en movimiento.*
- g) **Si se suministran dispositivos para la conexión de accesorios con fines de recolección y extracción de polvo, asegúrese de que estén conectados y que se utilicen correctamente.** *El uso de dispositivos de recolección de polvo puede reducir los peligros relacionados con el polvo.*
- 4) Uso y mantenimiento de la herramienta eléctrica**
- a) **No fuerce la herramienta eléctrica. Utilice la herramienta eléctrica correcta para el trabajo que realizará.** *La herramienta eléctrica correcta hará el trabajo mejor y más seguro a la velocidad para la que fue diseñada.*
- b) **No utilice la herramienta eléctrica si no puede encenderla o apagarla con el interruptor.** *Toda herramienta eléctrica que no puede ser controlada mediante el interruptor es peligrosa y debe ser reparada.*
- c) **Desconecte el enchufe de la fuente de energía y/o el paquete de baterías de la herramienta eléctrica antes de realizar ajustes, cambiar accesorios o almacenar herramientas eléctricas.** *Estas medidas de seguridad preventivas reducen el riesgo de encender la herramienta eléctrica en forma accidental.*
- d) **Guarde las herramientas eléctricas que no están en uso fuera del alcance de los niños y no permite que otras personas no familiarizadas con ella o con estas instrucciones operen la herramienta.** *Las herramientas eléctricas son peligrosas en las manos de usuarios no entrenados.*
- e) **Mantenimiento de las herramientas eléctricas. Controle que no haya piezas móviles mal alineadas o trabadas, piezas rotas y toda otra situación que pueda afectar el funcionamiento de las herramientas eléctricas. Si encuentra daños, haga reparar la herramienta eléctrica antes de utilizarla.** *Se producen muchos accidentes a causa de las herramientas eléctricas que carecen de un mantenimiento adecuado.*
- f) **Mantenga las herramientas de corte afiladas y limpias.** *Las herramientas de corte con mantenimiento adecuado, con los bordes de corte afilados son menos propensas a trabarse y son más fáciles de controlar.*
- g) **Utilice la herramienta eléctrica, los accesorios y las brocas de la herramienta, etc. de acuerdo con estas instrucciones y teniendo en cuenta las condiciones de trabajo y el trabajo que debe realizarse.** *El uso de la herramienta eléctrica para operaciones diferentes de aquéllas para las que fue diseñada podría originar una situación peligrosa.*
- 5) Mantenimiento**
- a) **Haga que una persona de reparaciones calificada realice el mantenimiento de su herramienta eléctrica y utilice piezas de repuesto idénticas solamente.** *Esto garantizará la seguridad de la herramienta eléctrica.*

Instrucciones de seguridad adicionales

INSTRUCCIONES DE SEGURIDAD IMPORTANTES PARA PISTOLAS DE AIRE CALIENTE

1. Recuerde que las áreas ocultas, como las ubicadas detrás de paredes, cielorrasos, intradós y otros paneles pueden contener material inflamable que podría hacer ignición accidentalmente al quitar la pintura del panel. Este tipo de incendio no será visible de

inmediato, y podría causar considerables daños y riesgo de lesión. Estas pistolas de calor pueden producir temperaturas superiores a 538 °C (1000 °F).

2. No use esta herramienta como una secadora de pelo.
3. Siempre apague la pistola de calor, desconéctela de la fuente de energía y deje que la herramienta se enfríe durante al menos 30 minutos antes de moverla o guardarla. No apoye la pistola de calor sobre superficies inflamables mientras la utiliza ni inmediatamente después de apagarla. Siempre ubique la pistola sobre una superficie plana y nivelada de manera que la punta de la boquilla apunte hacia arriba mientras se deja enfriar. Para un fácil almacenamiento, la herramienta puede colgarse del orificio para colgar. La pistola de calor debe guardarse bajo techo.
4. Use siempre espátulas de raspado y raspadores de papeles de buena calidad.
5. Nunca obstruya la entrada de aire o salida de aire de la boquilla.
6. Asegúrese de dirigir el aire caliente en una dirección segura; alejado de otras personas y objetos inflamables.
7. Mantenga los dedos alejados de la boquilla de metal; ésta se pone muy caliente.
8. No toque ninguna superficie con la boquilla mientras la pistola funciona o por corto tiempo después de funcionar.
9. Evite meter cualquier objeto dentro de la boquilla.
10. Conozca su entorno de trabajo. Recuerde que las áreas detrás de los plafones, intradós, cielorrasos y pisos pueden contener material altamente inflamable. Verifique estas áreas antes de aplicar aire caliente.
11. Limpie la pintura seca de la boquilla después de su uso; podría hacer ignición.
12. Limpie su raspador con frecuencia; podría incendiarse.
13. No utilice la pistola de aire caliente en combinación con quitapinturas químicos.
14. No use las boquillas accesorias como raspadores.
15. Mantenga la boquilla alejada del cable.
16. No utilice la unidad para cocinar ni calentar comida.
17. Esté todo el tiempo consciente de que esta herramienta puede encender materiales inflamables y ablandar o derretir otros. Independientemente de la labor que esté desempeñando, proteja o manténgase alejado de este tipo de materiales cercanos al área de trabajo.

Usted podrá notar que la pistola humea levemente de vez en cuando después de haberla apagado. Esto proviene del calentamiento del aceite residual que se depositó sobre los elementos calefactores durante el proceso de fabricación.

AVISO IMPORTANTE:

Para que esta herramienta sea un quitapinturas efectivo, debe producir temperaturas extremadamente altas. En consecuencia, la pistola de aire caliente es capaz de encender papeles, madera, residuos de pintura y barniz, y materiales similares.

A medida que usted se familiarice con la herramienta y desarrolle la técnica apropiada, el peligro de encendido accidental se reducirá en alto grado. Al establecer la técnica apropiada, lo mejor que usted puede hacer es ¡practicar! Emprenda, al aire libre preferiblemente, sus proyectos para quitar material hasta que usted obtenga una noción satisfactoria de cómo usar la pistola de aire caliente en forma segura y efectiva.

Mientras se ejercita, siga estos procedimientos de seguridad:

1. Asegúrese siempre de que la herramienta está apagada y desconectada si la va a dejar sin supervisión.
2. Limpie la hoja del raspador frecuentemente. El residuo acumulado en la hoja es altamente inflamable.
3. Experimente hasta encontrar la distancia óptima desde la boquilla de la herramienta hasta la superficie a eliminar. Esta distancia (por lo general 1-2 pulgadas) variará dependiendo del material a quitar.

4. Mantenga siempre la pistola delante de la hoja del raspador conforme el trabajo va progresando.
5. Limpie los pedazos de pintura que se van soltando a medida que se van acumulando en el área de trabajo.
6. Cuando trabaje dentro de la casa, manténgase alejado de cortinas, papeles, objetos tapizados y material inflamable similar.
7. Sobre todo, recuerde que esta es una herramienta eléctrica respetable, capaz de producir resultados excelentes si se usa adecuadamente. Practique en proyectos sencillos hasta que se sienta confortable con su pistola de aire caliente. Sólo entonces habrá logrado la técnica apropiada.

⚠ **ADVERTENCIA:** Se debe ser cuidadoso en extremo al quitar la pintura. Las desconchaduras, residuos y vapores de la pintura pueden contener plomo, el cual es tóxico. Toda pintura que data de antes de 1977 puede contener plomo y la pintura que se utilizó en los hogares antes de 1950 muy probablemente contengan plomo. Una vez que éste se deposita en las superficies, el contacto de la mano a la boca puede resultar en ingestión de plomo. Hasta el estar expuesto a niveles bajos de plomo puede causar daños irreversibles al cerebro y sistema nervioso; los niños pequeños y en gestación son los más vulnerables.

Antes de comenzar todo proceso de eliminación de pintura usted debe determinar si la misma contiene plomo. Esto lo puede hacer el departamento de salud local o un profesional que use un analizador de pintura para verificar el contenido de plomo de la pintura a quitar.

Las pinturas a base de plomo deben ser quitadas únicamente por un profesional, y no se deben quitar mediante una pistola de aire caliente.

Toda persona que vaya a quitar la pintura siempre debe seguir estas pautas:

1. Efectúe la labor afuera. Si esto no es posible, mantenga el área de trabajo bien ventilado. Abra las ventanas y ponga un ventilador aspirante en una de ellas. Asegúrese de que el ventilador mueve al aire de adentro hacia afuera.
2. Quite o cubra todas las alfombras, muebles, vestimenta, utensilios de cocina, y conductos de aire.
3. Coloque paños protectores en el área de trabajo para atrapar todos los pedacitos o desconchaduras de pintura. Use vestimenta protectora tal como camisas de trabajo adicionales, overoles y sombreros.
4. Trabaje en un cuarto a la vez. El mobiliario, etc., deberá colocarse en el centro de la habitación y cubrirse. Las áreas de trabajo deben cerrarse por completo del resto de la vivienda con paños de protección.
5. Los niños, mujeres embarazadas o potencialmente embarazadas, así como madres que amamantan, no deben estar presentes en el área de trabajo hasta que la labor esté hecha y se haya limpiado todo por completo.
6. Use una máscara anti-polvo o una de filtro dual (polvo y vapores) que haya sido aprobada por la Administración de Salud y Seguridad Laboral (OSHA), Instituto Nacional de Seguridad y Salud (NIOSH), o el Depto. de Minas de los Estados Unidos. Estas máscaras con sus filtros reemplazables se consiguen fácilmente en todas las ferreterías principales. Verifique que la máscara quede bien ajustada. La barba y vello facial podría impedir que la máscara quede bien sellada. Cambie los filtros a menudo. Las máscaras de papel desechables no son adecuadas.
7. Sea precavido al operar la pistola de aire caliente. Manténgala en movimiento ya que el calor excesivo generará vapores que pueden ser inhalados por el operador.
8. Mantenga las comidas y bebidas alejados del área de trabajo. Lávese las manos, brazos y cara y enjuáguese la boca antes de comer o beber. No fume ni masque goma o tabaco en el área de trabajo.
9. Recoja y limpie los pisos de toda la pintura que ha sido removida con trapo o mopa húmeda. Use un paño húmedo para limpiar todas las paredes, marcos, y toda otra superficie donde el polvo se haya pegado. No barra el polvo, ni lo quite en seco ni lo aspire. Utilice un detergente alto en fosfatos o de fosfato trisódico (TSP) para lavar y trapear las áreas.
10. Al final de cada sesión de limpieza ponga los pedacitos de pintura y escombros en una bolsa de plástico doble, ciérrela con cinta adhesiva o ligaduras y deshágase de estos residuos en forma apropiada.

11. Quítese la vestimenta protectora y zapatos de trabajo en la misma área donde hace el trabajo para evitar que arrastre polvo dentro del resto de la vivienda. Lave la ropa de trabajo por separado. Limpie los zapatos con un trapo húmedo que luego se lava con la ropa de trabajo. Lávese el pelo y el cuerpo a conciencia con agua y jabón.

La etiqueta de su herramienta puede incluir los siguientes símbolos.

- | | | | |
|-------------|--------------------------|----------------------|--|
| V | voltios | A | amperios |
| Hz | hertz | W | vatios |
| min | minutos | ~ | corriente alterna |
| — — — | corriente continua | n _o | no velocidad sin carga |
| ☐ | Construcción de clase II | ⊕ | terminal a tierra |
| ⚠ | símbolo de alerta de | .../min | revoluciones o reciprocidad por minuto |

USO DE CABLES DE EXTENSIÓN

Asegúrese que el cable de extensión esté en buenas condiciones. Use siempre el tamaño adecuado de los cables de extensión con la herramienta — o sea, el tamaño de cable adecuado para los distintos largos de cable y que sea lo suficientemente “pesado” para transportar la corriente que su producto va a extraer. Un cable de tamaño insuficiente causará una caída en la línea de voltaje resultando en pérdida de energía y recalentamiento. Para el tamaño de cable correcto vea la tabla a continuación.

Calibre mínimo para cables de extensión				
Volts	Longitud total del cable en pies			
	120V	0-25 (0-7,6m)	26-50 (7,6-15,2m)	51-100 (15,2-30,4m)
240V	0-50 (0-15,2m)	51-100 (15,2-30,4m)	101-200 (30,4-60,9m)	201-300 (60,9-91,4m)
Amperaje		American Wire Gage		
Más de	No más de			
0 - 6	18	16	16	14
6 - 10	18	16	14	12
10 - 12	16	16	14	12
12 - 16	14	12	No se recomienda	

⚠ ADVERTENCIA: parte del polvo producido por las herramientas eléctricas al lijar, aserrar, esmerilar, taladrar y realizar otras actividades de la construcción, contiene productos químicos reconocidos por el Estado de California como causantes de cáncer, defectos de nacimiento u otros problemas reproductivos. Algunos de estos productos químicos son:

- el plomo de las pinturas de base plomo,
- la sílice cristalina de ladrillos, el cemento y otros productos de mampostería, y
- el arsénico y el cromo de la madera con tratamiento químico.

El riesgo derivado de estas exposiciones varía según la frecuencia con la que se realice este tipo de trabajo. Para reducir la exposición a estos productos químicos: trabaje en áreas bien ventiladas y trabaje con equipos de seguridad aprobados, como las máscaras para polvo especialmente diseñadas para filtrar las partículas microscópicas.

- Evite el contacto prolongado con el polvo proveniente del lijado, aserrado, amolado y taladrado eléctrico y otras actividades de construcción. Use vestimenta protectora y lave todas las áreas expuestas con agua y jabón. De entrar polvo en sus ojos, boca, o que este permanezca sobre su piel puede promover la absorción de químicos dañinos.

⚠ ADVERTENCIA: El uso de esta herramienta puede generar y/o dispersar el polvo, el cual puede ocasionar lesión respiratoria u otro tipo de lesión grave y permanente. Utilice siempre protección respiratoria NIOSH/OSHA apropiada para la exposición al polvo. Dirija las partículas lejos de su cara o su cuerpo.

⚠ ADVERTENCIA: USE SIEMPRE LENTES DE SEGURIDAD. Los anteojos de uso diario NO son lentes de seguridad. Utilice también máscaras faciales o para polvo si el corte produce polvillo. UTILICE SIEMPRE EQUIPOS DE SEGURIDAD CERTIFICADOS:

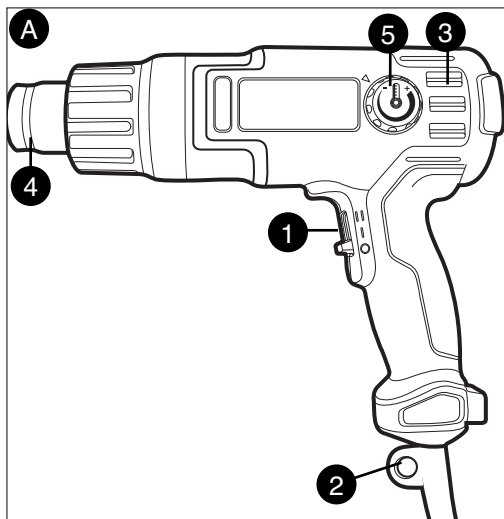
- Protección para los ojos según la norma ANSI Z87.1 (CAN/CSA Z94.3)
- Protección auditiva según la norma ANSI S12.6 (S3.19)
- Protección respiratoria según las normas NIOSH/OSHA/MSHA

MOTOR

Verifique que su suministro de corriente concuerde con el marcaje de la placa de datos. 120 Voltios de corriente alterna (AC) solo indica que su herramienta operará con corriente casera estándar de 60 Hz. No opere herramientas de corriente alterna (AC) con corriente directa (DC). Una potencia de régimen de 120 voltios AC/DC significa que su herramienta operará con corriente estándar de 60 Hz AC o DC. Esta información está impresa en la placa de datos. Un voltaje menor ocasionará pérdida de corriente y puede resultar en recalentamiento. Todas las herramientas Black & Decker se prueban en fábrica. Si esta herramienta no funciona, revise el suministro eléctrico.

DESCRIPCIÓN DE LAS FUNCIONES FIGURA A

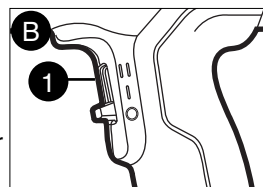
1. Interruptor de dos velocidades
2. Orificio para colgar
3. Orificios de ventilación
4. Boquilla de aire caliente
5. Perilla de ajuste de temperatura



Operación de la herramienta CONMUTADOR - FIGURA B

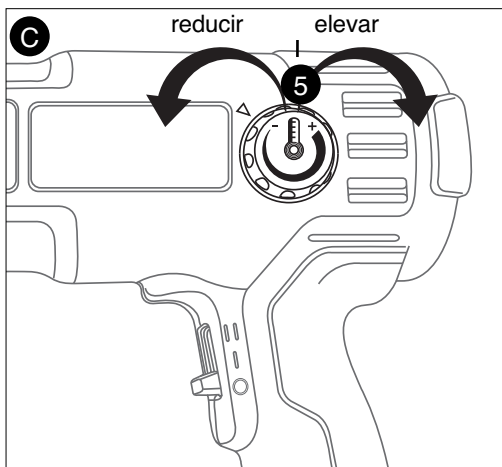
La posición del interruptor controla la velocidad del ventilador y la salida de calor de la pistola. Existe una superposición considerable de los rangos de temperatura al utilizar la perilla de ajuste de temperatura.

- Para encender la herramienta con velocidad del aire baja y calor bajo, deslice el interruptor (1) a la posición marcada con "I".
- Para encender la herramienta con velocidad del aire alta y calor alto, deslice el interruptor (1) a la posición marcada con "II".
- Para apagar la herramienta, deslice el interruptor (1) a la posición marcada con "0".



PERILLA DE AJUSTE DE TEMPERATURA: FIGURA C

- Para elevar la temperatura del aire, gire la perilla (5) hacia la derecha.
- Para reducir la temperatura del aire, gire la perilla (5) hacia la izquierda.



CÓMO QUITAR LA PINTURA - FIGURA D

Quitar la pintura eficientemente requiere desarrollar una técnica. Siga las pautas en este manual y usted verá que habrá aprendido el procedimiento después de unos proyectos sencillos.

Prenda la herramienta y mantenga la boquilla a aprox. una pulgada de la superficie a eliminar, como se ilustra en la **Figura D**. (Deje que la unidad funcione unos 15-20 segundos para que alcance su potencial de calor total.) La pintura que se está calentando comenzará por lo general a ampollarse cuando llega a la temperatura apropiada para su eliminación. Cuando alcance este punto, comience a raspar con pasadas suaves y uniformes. Si la pintura está lo suficientemente caliente y el raspador es el adecuado para eliminar este tipo de superficie, la pintura deberá levantarse en una tira igual a la anchura completa del raspador. Mueva la unidad ligeramente delante del raspador para asegurarse de que la pintura a quitar se está suavizando.

Se obtiene el mejor resultado cuando la pistola de aire caliente se desplaza de lado a lado lenta pero constantemente, para distribuir el calor uniformemente. No se detenga en un solo punto.

Recuerde que las astillas y pequeños partículas de pintura que se han quitado pueden hacer ignición y escaparse por huecos y hendidias de la superficie que se está trabajando.

SUGERENCIAS PARA QUITAR LA PINTURA

El raspado con pasadas suaves, hacia abajo, dará buenos resultados y ayudará a prevenir la formación de ranuras en la superficie de trabajo.

En algunas pinturas, el calor prolongado sobre las mismas hará que éstas sean más difíciles de quitar. Pruebe varios tiempos de calentamiento unas cuantas veces hasta que usted desarrolle la técnica más apropiada para su aplicación en particular.

La pistola de aire caliente está diseñada para quitar pinturas tanto a base de aceite como de látex.

No quitará manchas o capas de pintura de imprimación impregnadas en la fibra de la madera. Raspe la pintura tan pronto se ablanda, ya que pronto se enfriará y se endurecerá otra vez.

Limpie el borde de su raspador a menudo para mantener un borde limpio y afilado.

Proteja las áreas adyacentes a la que está raspando. Por ejemplo: proteja la puerta con materiales no inflamables si está quitando la pintura al marco de la puerta.

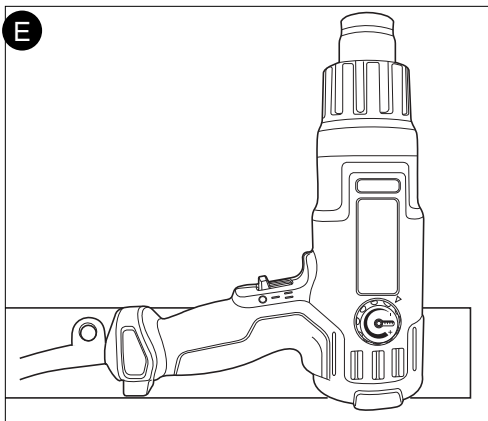
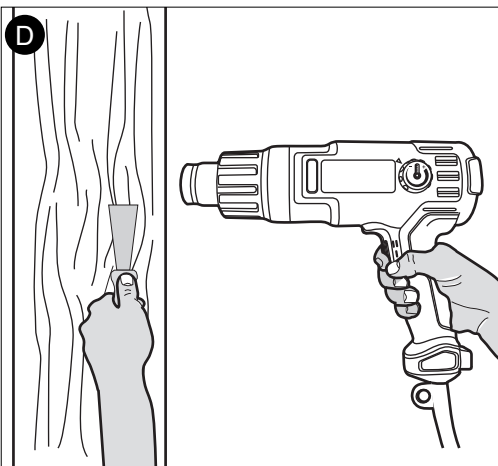
No concentre el calor de la herramienta sobre un cristal de ventana u otras superficies de vidrio. El calor excesivo puede quebrar el vidrio. Use algún material no inflamable para proteger el vidrio cuando le está quitando la pintura a un marco de ventana.

OTROS USOS

Para una operación de manos libres, coloque la pistola de calor sobre una superficie plana como se muestra en la **Figura E**.

Aparte de quitar la pintura, la pistola de aire caliente tiene muchos otros usos. Útil para suavizar el linóleo y las baldosas de piso y para aflojar adhesivos sensibles al calor. Es perfecta para usar con tubería termocontraíble y en cualquier parte donde usted necesite una fuente de calor portátil. Hasta lo puede utilizar para derretir el agua congelada en tuberías de metal.

Los usos automotores incluyen reducir el tiempo de preparación de material de relleno de carrocerías o tiempo de secado de las pinturas (se debe seguir las recomendaciones del fabricante).



Se debe tener precaución cerca de gasolina, líquidos automotores, neumáticos, juntas, tapizados, mangueras, etc. para evitar daños o incendios. Siempre tenga presente que esta herramienta puede encender materiales inflamables y ablandar o derretir otros. Evite el sobrecalentamiento de materiales inflamables adyacentes como madera, aislamiento, cubiertas de cables eléctricos o plástico. Descongele únicamente aquellas secciones de tubería metálica que estén completamente expuestas. No intente descongelar tuberías que estén dentro de muros, pisos, techos o encerradas de alguna otra forma. No intente descongelar tuberías que estén envueltas con aislamiento.

DETECCIÓN DE PROBLEMAS

Problema

• La unidad no enciende.

Causa posible

- Cable desenchufado.
- Fusible quemado.
- El interruptor automático está activado.
- Interruptor o cable dañado.

Solución posible

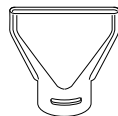
- Enchufe el cargador en un tomacorriente que funcione.
- Reemplace el fusible quemado. (Si repetidamente el producto hace que el fusible del circuito se quemé, deje de utilizarlo inmediatamente y haga que le realicen mantenimiento en un centro de mantenimiento BLACK & DECKER o en un centro de servicio autorizado.)
- Reinicie el interruptor automático. (Si repetidamente el producto hace que el fusible del circuito se quemé, deje de utilizarlo inmediatamente y haga que le realicen mantenimiento en un centro de mantenimiento BLACK & DECKER o en un centro de servicio autorizado.)
- Haga reparar el cable o el interruptor en un centro de mantenimiento BLACK & DECKER o en un centro de mantenimiento autorizado.

Para conocer la ubicación del centro de mantenimiento más cercano a fin de recibir ayuda con su producto, visite nuestro sitio Web www.blackanddecker.com o llame a la línea de ayuda de BLACK & DECKER al **(55)5326-7100**.

La pistola de aire caliente BDPG700 incluye los siguientes accesorios:

BOQUILLA DE ABANICO

Provee una distribución más amplia de aire caliente, para trabajar sobre superficies grandes, pisos, puertas, etc.



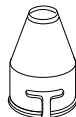
REFLECTOR DE CARRETE

Distribuye el aire uniformemente alrededor de todo el objeto. Ideal para soldar tuberías, sellar cables eléctricos por contracción.



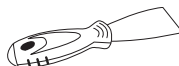
BOQUILLA CÓNICA

Para operaciones de precisión - concentra el aire sobre un área de superficie más pequeña.



RASCADOR DE PINTURA

Para la remoción de pintura fácil de las superficies duras.



⚠ PRECAUCIÓN: Estas boquillas permanecen calientes después de usarlas. Tenga cuidado al manipularlas.

MANTENIMIENTO

Utilice únicamente jabón suave y un trapo húmedo para limpiar la herramienta. Nunca permita que se introduzcan líquidos en la herramienta; nunca sumerja ninguna parte de la herramienta en ningún líquido. **IMPORTANTE:** Para garantizar la SEGURIDAD y la CONFIABILIDAD del producto, las reparaciones, el mantenimiento y los ajustes deberán efectuarse en centros de servicio autorizado u otras organizaciones de servicio calificado, que utilicen siempre refacciones idénticas.

ACCESORIOS

Los accesorios que se recomiendan para la herramienta están disponibles en su distribuidor local o en el centro de mantenimiento autorizado. Si necesita ayuda con respecto a los accesorios, llame al: **(55)5326-7100**

⚠ ADVERTENCIA: El uso de accesorios no recomendados para utilizar con esta herramienta puede resultar peligroso.

INFORMACIÓN DE MANTENIMIENTO

Todos los Centros de mantenimiento de Black & Decker cuentan con personal altamente capacitado dispuesto a brindar a todos los clientes un servicio eficiente y confiable en la reparación de herramientas eléctricas. Si necesita consejo técnico, reparaciones o piezas de repuesto originales de fábrica, póngase en contacto con el centro de mantenimiento de Black & Decker más cercano a su domicilio. Para ubicar su centro de servicio local, consulte la sección "Herramientas eléctricas" (Tools-Electric) de las páginas amarillas, llame al **(55)5326-7100** o visite nuestro sitio **www.blackanddecker.com**.

GARANTÍA COMPLETA DE DOS AÑOS PARA USO EN EL HOGAR

Black & Decker (Estados Unidos) Inc. ofrece una garantía de dos años por cualquier defecto del material o de fabricación de este producto. El producto defectuoso se reparará o reemplazará sin costo alguno de dos maneras.

La primera opción, el reemplazo, es devolver el producto al comercio donde se lo adquirió (siempre y cuando se trate de un comercio participante). Las devoluciones deben realizarse conforme a la política de devolución del comercio (generalmente, entre 30 y 90 días posteriores a la venta). Le pueden solicitar comprobante de compra. Consulte en el comercio acerca de la política especial sobre devoluciones una vez excedido el plazo establecido.

La segunda opción es llevar o enviar el producto (con flete pago) a un Centro de mantenimiento propio o autorizado de Black & Decker para su reparación o reemplazo según nuestro criterio. Le pueden solicitar el comprobante de compra. Los Centros de mantenimiento autorizados y de propiedad de Black & Decker se detallan en la sección "Herramientas eléctricas" (Tools-Electric) de las páginas amarillas de la guía telefónica. Esta garantía no se extiende a los accesorios. Esta garantía le concede derechos legales específicos; usted puede tener otros derechos que pueden variar según el estado o la provincia. Si tiene alguna pregunta, comuníquese con el gerente del Centro de mantenimiento de Black & Decker de su zona. Este producto no está diseñado para uso comercial.

Para reparación y servicio de sus herramientas eléctricas, favor de dirigirse al Centro de Servicio más cercano:

CULIACAN, SIN

Av. Nicolás Bravo #1063 Sur
(667) 7 12 42 11
Col. Industrial Bravo

GUADALAJARA, JAL

Av. La Paz #1779
(33) 3825 6978
Col. Americana Sector Juarez

MEXICO, D.F.

Eje Central Lázaro Cardenas
No. 18
(55) 5588 9377
Local D, Col. Obrera

MERIDA, YUC

Calle 63 #459-A
(999) 928 5038
Col. Centro

MONTERREY, N.L.

Av. Francisco I. Madero
No.831
(81) 8375 2313
Col. Centro

PUEBLA, PUE

17 Norte #205
(222) 246 3714
Col. Centro

QUERETARO, QRO

Av. Madero 139 Pte.
(442) 214 1660
Col. Centro

SAN LUIS POTOSI, SLP

Av. Universidad 1525
(444) 814 2383
Col. San Luis

TORREON, COAH

Bldv. Independencia, 96 Pte.
(871) 716 5265
Col. Centro

VERACRUZ, VER

Prolongación Díaz Mirón #4280
(229)921 7016
Col. Remes

VILLAHERMOSA, TAB

Constitución 516-A
(993) 312 5111
Col. Centro

PARA OTRAS LOCALIDADES LLAME AL: (55) 5326 7100

**Vea "Herramientas
eléctricas (Tools-Electric)"
- Páginas amarillas -
para Servicio y ventas**



**BLACK & DECKER S.A. DE C.V.
BOSQUES DE CIDROS ACCESO
RADIATAS NO. 42
COL. BOSQUES DE LAS LOMAS.
05120 MÉXICO, D.F.
TEL. 55-5326-7100**

Free Manuals Download Website

<http://myh66.com>

<http://usermanuals.us>

<http://www.somanuals.com>

<http://www.4manuals.cc>

<http://www.manual-lib.com>

<http://www.404manual.com>

<http://www.luxmanual.com>

<http://aubethermostatmanual.com>

Golf course search by state

<http://golfingnear.com>

Email search by domain

<http://emailbydomain.com>

Auto manuals search

<http://auto.somanuals.com>

TV manuals search

<http://tv.somanuals.com>