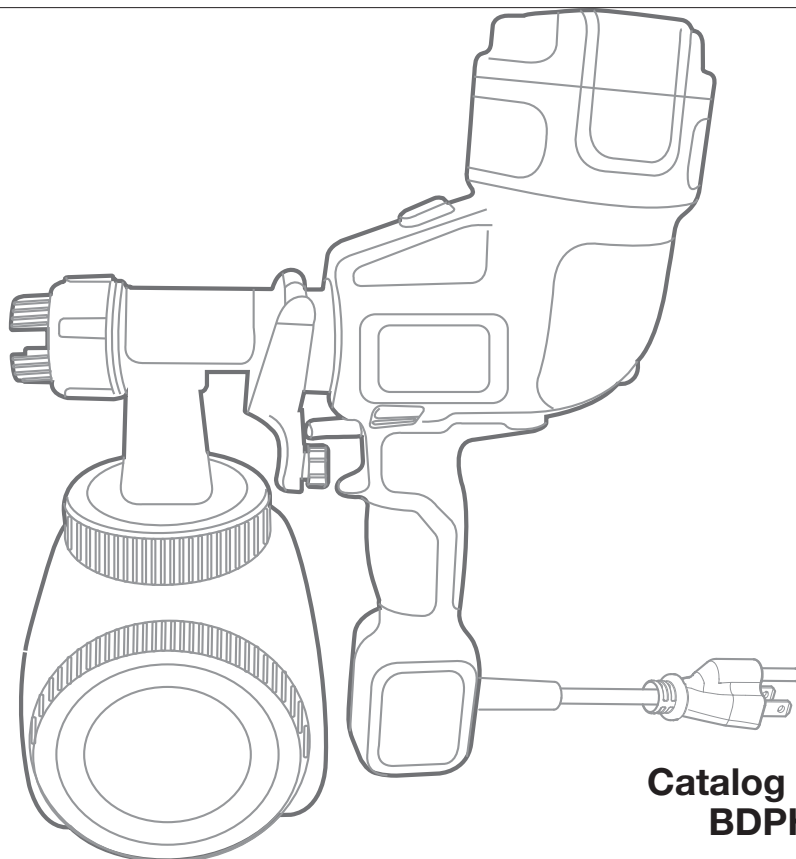




HVLP SMARTSELECT™ SPRAYER

INSTRUCTION MANUAL



**Catalog Number
BDPH200**

Thank you for choosing Black & Decker! Go to www.BlackandDecker.com/NewOwner to register your new product.

PLEASE READ BEFORE RETURNING THIS PRODUCT FOR ANY REASON:

If you have a question or experience a problem with your Black & Decker purchase, go to **WWW.BLACKANDDECKER.COM/INSTANTANSWERS** for instant answers 24 hours a day.

If you can't find the answer or do not have access to the internet, call 1-800-544-6986 from 8 a.m. to 5 p.m. EST Mon. - Fri. to speak with an agent.

Please have the catalog number available when you call.

SAVE THIS INSTRUCTION MANUAL FOR FUTURE REFERENCE.

VEA EL ESPAÑOL EN LA CONTRAPORTADA.

INSTRUCTIVO DE OPERACIÓN, CENTROS DE SERVICIO Y PÓLIZA DE GARANTÍA.
ADVERTENCIA: LEÁSE ESTE INSTRUCTIVO ANTES DE USAR EL PRODUCTO.

TABLE OF CONTENTS

Safety Guidelines - Definitions	3
Important Safety Instructions	3
General Safety Warnings	4
Grounding Instructions	4
Extension Cords	4
Components	5
Set-Up	6
Aligning Pickup Tube	6
Material Preparation	6
Thinning Table	7
Preparation Tips	7
Filling The Canister	7
Operation	7
Material Flow Adjustment	7
SmartSelect Nozzle	8
Spraying Technique	8
Cleaning	9
Maintenance / Storage	11
Accessories	11
Service Information	11
Warranty	11
Troubleshooting	12

SAFETY GUIDELINES - DEFINITIONS

It is important for you to read and understand this manual. The information it contains relates to protecting YOUR SAFETY and PREVENTING PROBLEMS. The symbols below are used to help you recognize this information.

⚠ DANGER: Indicates an imminently hazardous situation which, if not avoided, will result in death or serious injury.

⚠ WARNING: Indicates a potentially hazardous situation which, if not avoided, could result in death or serious injury.

⚠ CAUTION: Indicates a potentially hazardous situation which, if not avoided, may result in minor or moderate injury.

NOTICE: Used without the safety alert symbol indicates a potentially hazardous situation which, if not avoided, may result in property damage.

The following are explanations of important safety hazard pictorials in this manual.



1. Read and understand the instruction manual.



3. Explosion hazard.



5. Electric shock hazard.



2. Fire hazard.



4. Respiratory hazard.

IMPORTANT SAFETY INSTRUCTIONS

SAVE THESE INSTRUCTIONS - To reduce the risks of fire or explosion, electrical shock and the injury to persons, read and understand all instructions included in this manual. Be familiar with the controls and the proper usage of the equipment.

- This product is intended for household use only.



⚠ WARNING: FIRE OR EXPLOSION HAZARD. Solvent and spray material fumes can explode or ignite. Severe injury or property damage can occur.

To avoid these risks, take the following preventions:

- Exhaust and fresh air introduction must be provided to keep the air within the spray area free from accumulation of flammable vapors.
- Avoid all ignition sources such as static electricity sparks, open flames, pilot lights, hot objects, lit tobacco products, and sparks from connecting and disconnecting power cords or working light switches.
- Fire extinguishing equipment must be present and in good working order.
- Follow the material and solvent manufacturer's safety precautions and warnings.
- Do not spray flammable or combustible materials near an open flame or sources of ignition such as lit tobacco products, motors, and electrical equipment.
- Know the contents of the spray materials and their cleaning solvents. Read all Material Safety Data Sheets (MSDS) and container labels provided with the spray materials and solvents. Follow the spray material and solvent manufacturer's safety instructions.
- Do not use materials with a flashpoint higher than 60°C (140°F). Flashpoint is the temperature that a fluid can produce enough vapors to ignite (see coating supplier).



⚠ WARNING: EXPLOSION HAZARD DUE TO INCOMPATIBLE MATERIALS. Severe injury or property damage can occur.

To avoid these risks, take the following preventions:

- Do not use bleach.
- Do not use halogenated hydrocarbon solvents such as methylene chloride and 1,1,1 - trichloroethane. They are not compatible with aluminum and may cause an explosion. If you are unsure of a material's compatibility with aluminum, contact your coating supplier.



⚠ WARNING: HAZARDOUS VAPORS. Spray materials, solvents, and other materials can be harmful if inhaled or come in contact with the body. Vapors can cause severe nausea, fainting, or poisoning.

To avoid these risks, take the following preventions:

- Use a respirator or mask if vapors can be inhaled. Read all instructions supplied with the mask to be sure it will provide the necessary protection.
- Wear protective eyewear.
- Wear protective clothing as required by coating manufacturer.



⚠ WARNING: ELECTRIC SHOCK HAZARD. May cause severe injury.

To avoid these risks, take the following preventions

- Keep electrical cord plug and spray gun trigger free from spray material and other liquids. Never hold cord at plug connections to support cord. Failure to observe may result in an electrical shock.
- Never immerse electrical parts in water or any other liquid. Wipe the exterior of the sprayer with a damp cloth for cleaning. Always make sure the sprayer is unplugged before taking it apart for cleaning.
- Do not expose unit to rain or wet conditions.
- Do not abuse the cord. Never use the cord to carry the unit or pull the plug from an outlet. Keep cord away from heat, oil, sharp edges or moving parts. Replace damaged cords immediately.

GENERAL SAFETY WARNINGS

⚠ WARNING: GENERAL. Can cause severe injury or property damage.

To avoid these risks, take the following preventions:

- Do not aim the gun at, or spray any person, including self, or animal.
- Do not spray outdoors on windy days.
- Wear protective clothing to keep spray material off skin and hair.
- Follow all appropriate local, state, and national codes governing ventilation, fire prevention, and operation.
- Always use appropriate gloves, eye protection and a respirator or mask when spraying, thinning, mixing, pouring, or cleaning.
- Do not operate or spray near children. Keep children away from equipment at all times. Keep sprayer out of the reach of children.
- Do not overreach or stand on an unstable support. Keep effective footing and balance at all times.
- Stay alert and watch what you are doing.
- Do not operate the unit when fatigued or under the influence of drugs or alcohol.
- Read all instructions and safety precautions for equipment and spray material before operating any equipment.
- Hearing protection is recommended for extended use.

GROUNDING INSTRUCTIONS

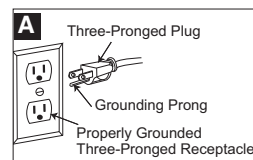
This product must be grounded. In the event of an electrical short circuit, grounding reduces the risk of electric shock by providing an escape wire for the electric current. This product is equipped with a cord having a grounding wire with an appropriate grounding plug. The plug must be plugged into an outlet that is properly installed and grounded in accordance with all local codes and ordinances.



⚠ WARNING: ELECTRIC SHOCK HAZARD. Improper installation of the grounding plug is able to result in a risk of electric shock. When repair or replacement of the cord or plug is required, do not connect the grounding wire to either flat blade terminal. The wire with insulation having an outer surface that is green with or without yellow stripes is the grounding wire.

This product is for use on a nominal 120-V circuit and has a grounding plug similar to the plug illustrated in sketch A. Only connect the product to an outlet having the same configuration as the plug. Do not use an adapter with this product.

Check with a qualified electrician or serviceman when the grounding instructions are not completely understood, or when in doubt as to whether the product is properly grounded. Do not modify the plug provided; if it does not fit the outlet, have the proper outlet installed by a qualified electrician.



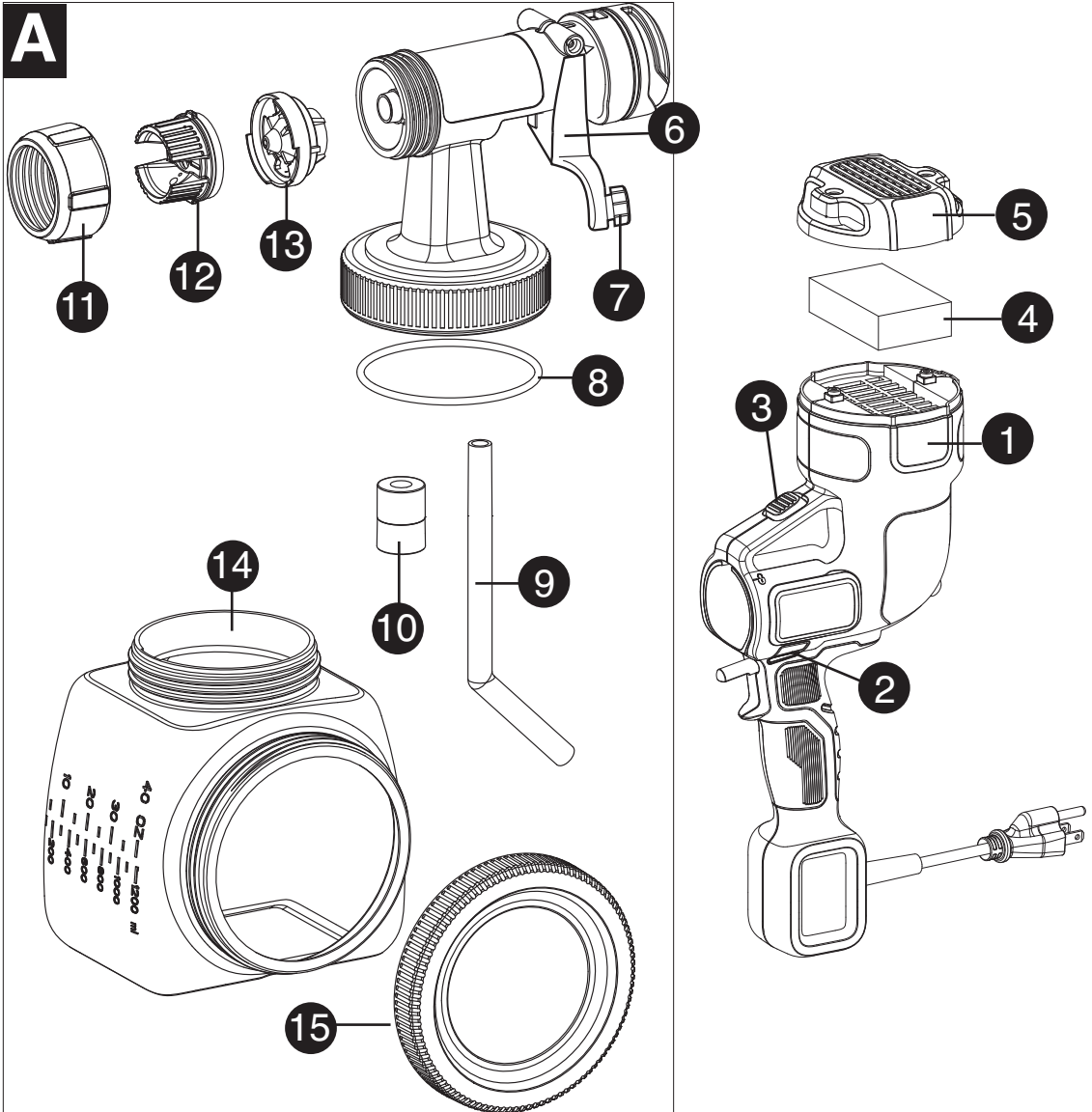
EXTENSION CORDS

Use only a 3-wire extension cord that has a 3-blade grounding plug and a 3-slot receptacle that will accept the plug on the product. Make sure your extension cord is in good condition. When using an extension cord, be sure to use one heavy enough to carry the current your product will draw. An undersized cord will cause a drop in line voltage resulting in loss of power and overheating. If an extension cord is to be used outdoors, it must be marked with the suffix W-A after the cord type designation. For example, a designation of SJTW-A would indicate that the cord would be appropriate for outdoor use. For proper size cords see chart below.

Volts	Minimum Gauge for Cord Sets Total Length of Cord in Feet			
	0-25 (0-7,6m)	26-50 (7,6-15,2m)	51-100 (15,2-30,4m)	101-150 (30,4-45,7m)
120V				
240V				
	91,4m)			
Ampere Rating		American Wire Gauge		
More Than	Not more Than			
0 -	6	18	16	16
6 -	10	18	16	14
10 -	12	16	16	14
12 -	16	14	12	Not Recommended

⚠ WARNING: Some spray materials contain chemicals known to the State of California to cause cancer, birth defects or other reproductive harm. To reduce your exposure wear appropriate safety equipment such as face masks, gloves, and other appropriate protective equipment. Please review and follow the safety precautions on the paint container.

COMPONENTS



FUNCTIONAL DESCRIPTION

- | | | |
|----------------------------|------------------------------|--------------------------------|
| 1.) Motor housing | 7.) Material adjustment knob | 13.) Spray tip |
| 2.) Flow control indicator | 8.) O-ring | 14.) Side fill canister |
| 3.) Release button | 9.) Pickup tube | 15.) Lid |
| 4.) Filter | 10.) Check valve | 16.) 2-3/4 quart mixing bucket |
| 5.) Filter cover | 11.) Tip collar | 17.) Viscosity cup |
| 6.) Trigger | 12.) Spray nozzle | 18.) Cleaning brush |

SET-UP

⚠ WARNING: Be sure to use appropriate protective gear and unplug unit.

⚠ WARNING: Make sure area is well ventilated and free of flammable vapors.

ALIGNING THE PICKUP TUBE - (FIGURES B AND B1)

The pickup tube can be aligned in the direction that you will be doing the most spraying to help minimize the amount of times that you will have to refill the canister.

- If you are spraying at an upward angle or straight on, position the pickup tube (**figure B**) toward the back of the canister.
- If you are spraying at a downward angle, position the pickup tube (**figure B1**) toward the front of the canister.

This will ensure you spray as much material as possible before you need to refill.

LIQUID MATERIAL PREPARATION - (FIGURES C, C1 AND C2)

TIP: Make sure the type of material you use can be cleaned with either mineral spirits or paint thinner (for oil-based paints) or a warm water and soap solution (for water soluble paints like latex). Use drop cloths during pouring, mixing, and viscosity testing of materials to be sprayed to protect your floors and anything else in the spraying area that you wish to remain untouched.

The liquid being sprayed may need to be thinned (diluted) before starting. When thinning, use the proper liquid thinner recommended on the container by the material manufacturer.

⚠ WARNING: Do not use materials with a flashpoint higher than 60°C (140°F) .

A 2- ³/₄ quart mixing bucket is provided to use when transferring spray material from the original container into the bucket for thinning and measuring purposes (**figure C**).

A viscosity test cup is provided to determine the “runout time” of the material being used.

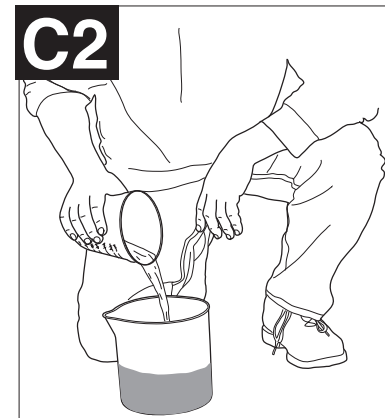
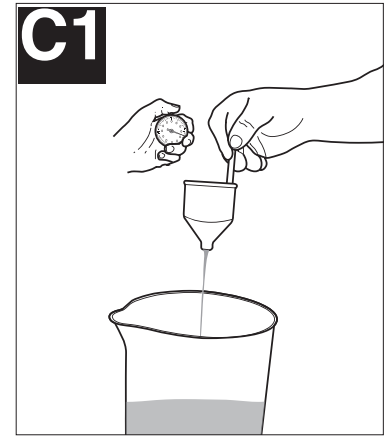
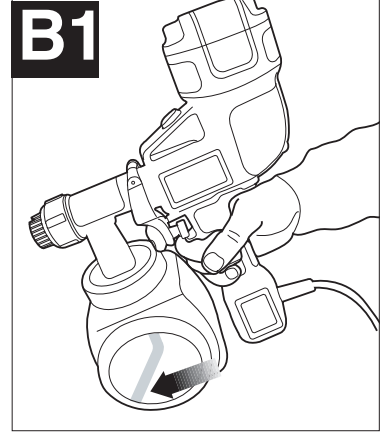
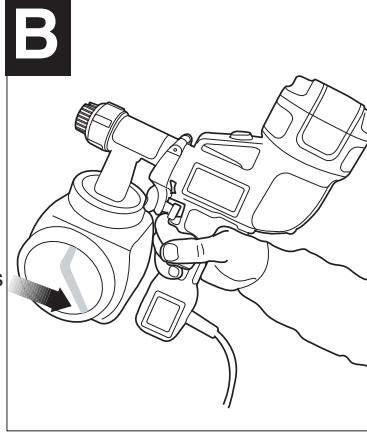
- Before measuring for the proper viscosity, stir the material thoroughly.

- Dip the viscosity cup into the material being sprayed and fill the cup completely.

• With the cup held over the material container, measure the amount of time it takes for the stream of material flowing out to “break” or stop being a constant stream out of the bottom of the cup (2 minutes or less) (**figure C1**). This is the “runout time” Refer to the thinning table for information on the thinning required for different materials.

- If material needs thinning, add the appropriate liquid thinning material recommended by the manufacturer (**figure C2**).

• It is possible to spray latex paint with this unit, however, the required thinning may exceed material manufacturer’s recommendation. Thin latex paint so that it runs through viscosity cup in under 2 minutes. The operator should consider the type of application and final location of the project when spraying a material that requires more than 2 minutes to run through the viscosity cup,



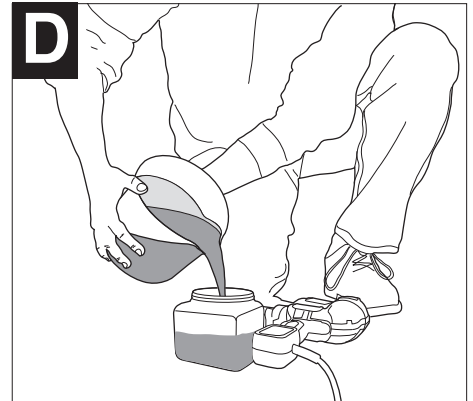
THINNING TABLE	
SPRAY MATERIAL	RUNOUT TIME
Clear and semi-transparent stains and sealers	No thinning required
Oil based primers, varnishes and polyurethane	(Less than 2 minute runout)
Solid color water based stains	May require thinning
Water based or latex paints	(More than 2 minute runout)
Note: Not recommended for textured paint	

PREPARATION TIPS

- Always stir and strain the material thoroughly before use.
- With any spraying job you should always ensure that you have properly prepared the surface to get the best finish. That is, all surfaces are free from dust, dirt, rust and grease. Lightly pressure wash decks or exterior surfaces and ensure that they are dry before spraying.
- Even though HVLP sprayers have very little overspray, it is recommended that you mask all edges and other areas and use drop cloths to protect your floors and anything else in the spraying area that you wish to remain untouched.
- Skin that forms on the top of paint can clog the sprayer. Remove skin before mixing. Strain with a funnel with a filter attached or through hosiery to remove any impurities that could clog system.
- Before starting have gloves, paper towels, rags etc. available for unexpected spills.

FILLING THE CANISTER - (FIGURE D)

- Check to make sure that the canister is completely screwed onto the sprayer.
- Lay the sprayer on its side with the canister side lid facing up.
- Unscrew the lid on the side of the canister.
- Pour the properly thinned and strained material to be sprayed into the side fill canister (**figure D**). **TIP: Use the mixing bucket provided to pour material from the original material container into the side fill canister.**
- Clean any residual liquid from the threads or sides of the canister and sprayer.
- Starting the threads evenly, screw the lid completely onto the side fill canister. Check the lid to make sure it is threaded on squarely and completely before picking up the sprayer.



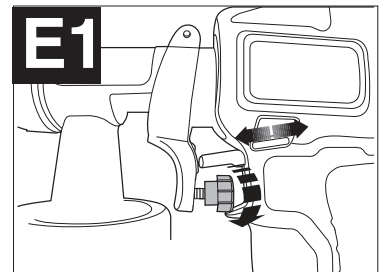
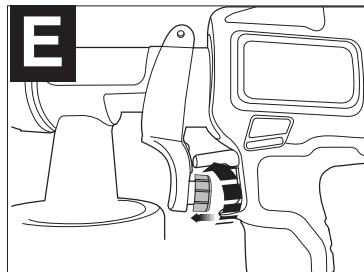
OPERATION

MATERIAL FLOW ADJUSTMENT

Set the material volume by turning the material adjustment knob on the trigger of the sprayer.

- For maximum material flow, thread knob all the way in as shown in **figure E**.
- For minimum material flow, thread knob all the way out as shown in **figure E1**.

The flow indicator on the side of the sprayer moves forward (minimal liquid flow) and backward (maximum liquid flow) as the trigger is depressed.

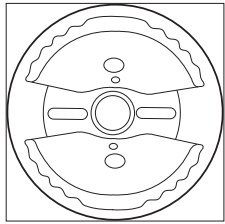


TIP: Always test the spray pattern on scrap cardboard or similar material first. Begin with the material adjustment knob on the highest flow setting (threaded all the way in). If less flow is desired, dial the material adjustment knob out. Heavier, thicker materials should be sprayed with the knob dialed farther in. Thinner materials should be sprayed with the knob dialed farther out.

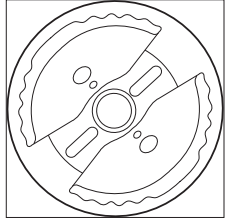
SMART SELECT NOZZLE SELECTION - (FIGURE F)

There are three spray patterns to choose from. They are marked as 1, 2 and 3 on the Smart Select label located on the top of the sprayer (**figure F**). To select pattern number 1, turn the spray nozzle and align the green indicator on the spray nozzle with the number 1 on the label (**figure F1**).

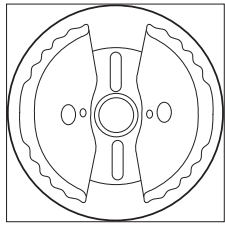
NOTE: Spray nozzle can only be assembled in one direction. Refer to figure S for proper assembly.



• Pattern number 1 - **Horizontal Flat Jet** - Apply up and down a surface.



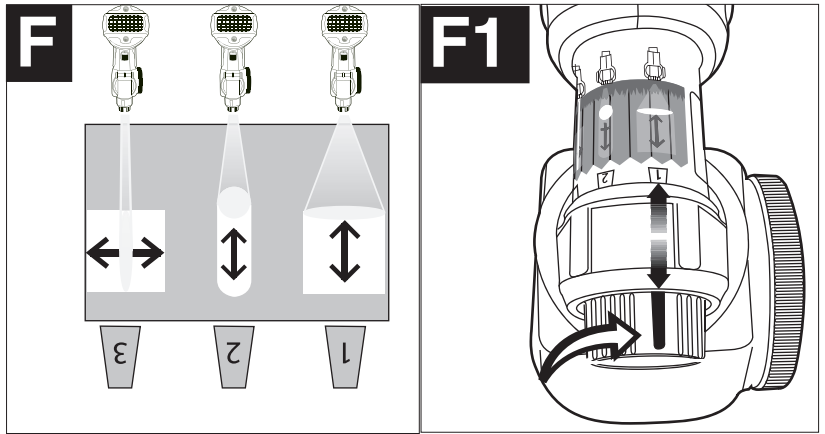
• Pattern number 2 - **Circular Jet** - for corners, edges and narrow surfaces.



TIP: Position number 2 has a detent that you can feel when you turn the spray nozzle. Make sure it locates in the detent.

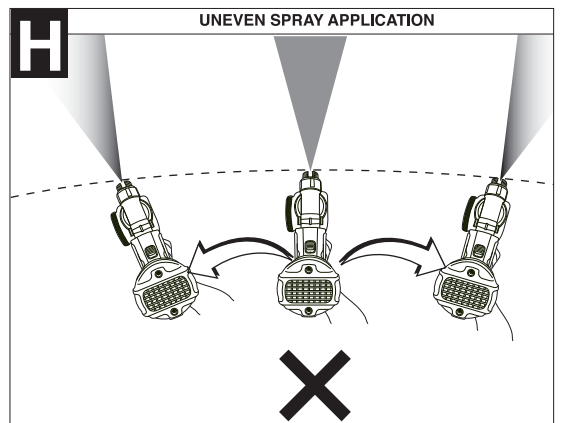
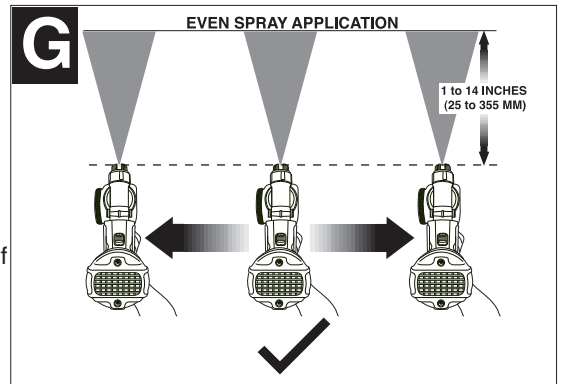
• Pattern number 3 - **Vertical Flat Jet**. Apply side to side.

⚠ WARNING: Risk of injury. Never point the sprayer at any part of the body. Never pull the trigger while adjusting the spray setting.



DEVELOPING THE PROPER SPRAYING TECHNIQUE

- Practice spraying on a piece of scrap material such as cardboard to test your spray pattern and become familiar with the flow control feature of the sprayer.
- Ensure surface to be sprayed is free of dust, dirt, and grease.
- Ensure spray area is clean and free of dust that could be blown onto newly sprayed surfaces.
- Cover any areas not intended to be sprayed.
- Always spray from a minimum of 1 inch (25mm) to a maximum of 14 inches (355mm) (**figure G**).
- A commonly used method for spraying a large surface is the “crisscross” pattern. This is done by spraying in horizontal strips and then crossing over these strips with vertical strips.
- To get an even spray distribution, always keep your arm at the same distance (**figure G**) from the surface you are spraying and avoid moving your wrist (**figure H**).
- Maintain smooth and consistent speed which will help avoid inconsistencies. Begin spraying after the pass has begun and release trigger before stopping the pass.
- Avoid spraying too heavily in any one area. Several lighter coats are better than one heavy coat which can lead to running and dripping. Remember that the flow control knob regulates the amount of liquid that can be sprayed. Turning the flow knob clockwise increases the flow of liquid. Turning the knob counterclockwise decreases the flow of liquid. If runs or drips do occur, have a dry paint brush on hand to smooth them out.
- Turn the power unit off when not spraying for any length of time.



CLEANING

⚠ WARNING: Be sure to use appropriate protective gear.

• **Use drop cloths during pouring, mixing, and viscosity testing of materials to be sprayed to protect your floors and anything else in the spraying area that you wish to remain untouched.**

• Do not use materials with a flashpoint higher than 60°C (140°F) . Flashpoint is the temperature that a fluid can produce enough vapors to ignite (see coating supplier).

- Make sure clean up area is well ventilated and free of flammable vapors.
- Always spray outdoors when spraying cleaning solution through sprayer.
- Do not submerge power unit.

To begin cleaning:

• Unplug the cord from the power source.

• Unscrew the lid from the side of the canister and pour any remaining liquid back into the original container (**figure I**).

• Pour a small amount of the appropriate cleaning solution into the canister (**figure J**).

- Warm soapy water for water based materials
- Manufacturers recommended cleaning solution for oil based materials

• Replace the lid on the canister securely and vigorously shake the sprayer.

• Unscrew the lid from the side of the canister and properly dispose of cleaning solution.

• **Refill** the canister with a small amount of new cleaning solution (**figure J**). Screw lid securely on canister.

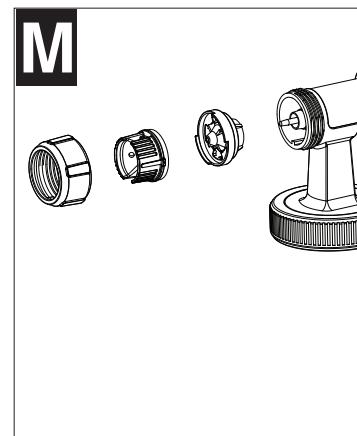
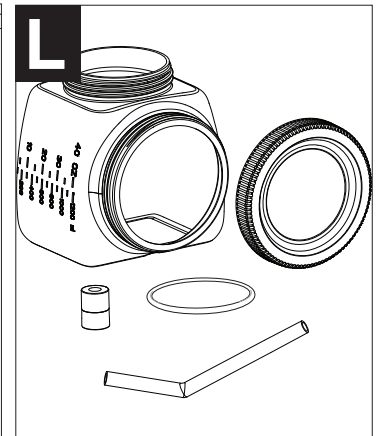
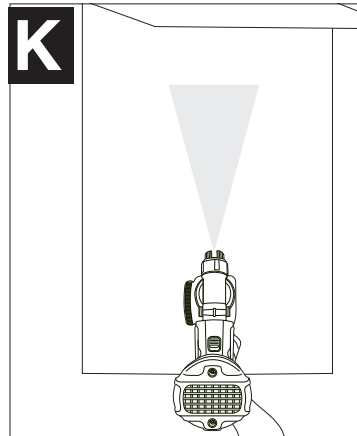
• Plug in the power cord.

• Spray the cleaning solution through the sprayer onto scrap material for 2 to 3 seconds (**figure K**).

• Unplug the cord from the power source.

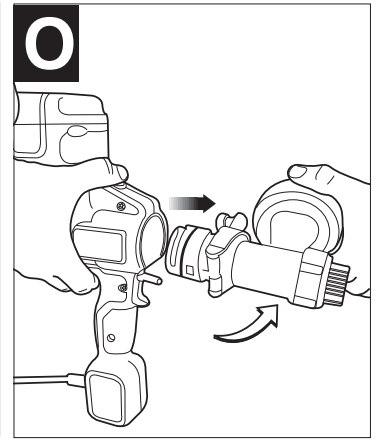
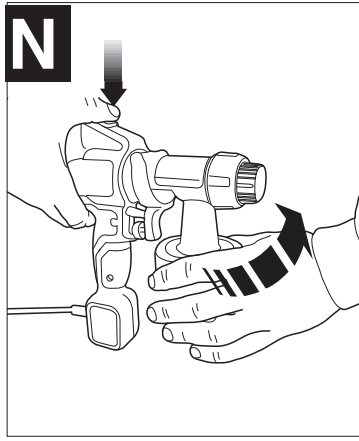
• Remove the canister and unscrew the side lid. Remove the check valve, pickup tube and o-ring from the sprayer (**figure L**). Clean the parts with the cleaning brush in the appropriate cleaning solution.

• Unscrew the tip collar and remove the spray nozzle and spray tip (**figure M**). Clean all parts with the cleaning brush in the appropriate cleaning solution.



• Separate the nozzle section from the sprayer motor by pressing the release button on the motor housing as shown in **figure N**.

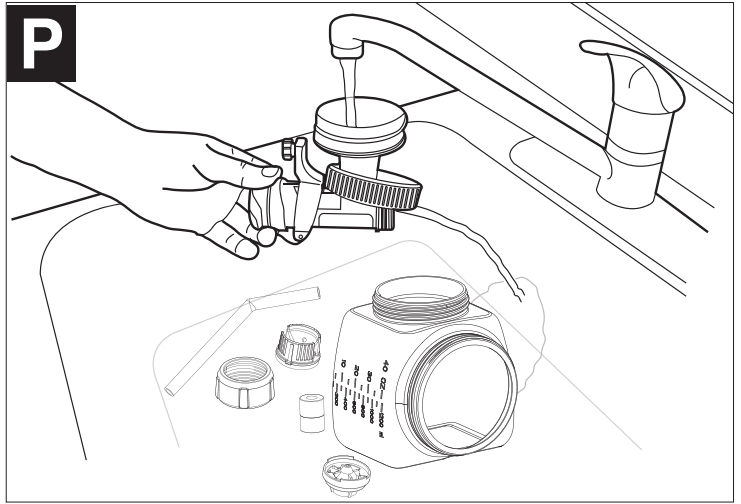
• Grasp the nozzle section and twist until it is 90 degrees to the housing, then pull straight out (**figure O**).



• If using water based material, clean the nozzle section by running water through pickup tube inlet as shown in **figure P**. If using oil based materials, clean pickup tube inlet with the appropriate cleaning solution. Repeat until sprayer is completely clean.

• Dry all parts thoroughly.

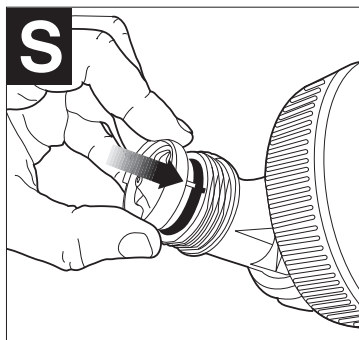
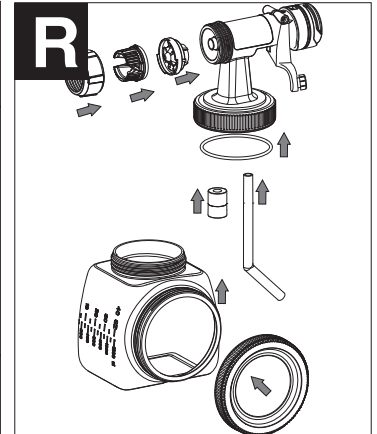
• Properly dispose of cleaning solution.



• Place a drop of household oil onto the metal ball in the check valve (**figure Q**). **IMPORTANT: Lubricating the ball in check valve, after cleanup, will help to prevent it from sticking which can clog the valve and prevent adequate flow of spray material.**

NOTE: When reassembling, place metal ball end of check valve into sprayer.

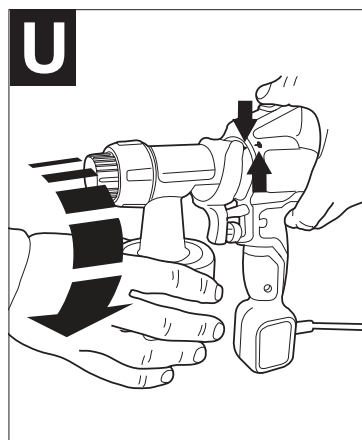
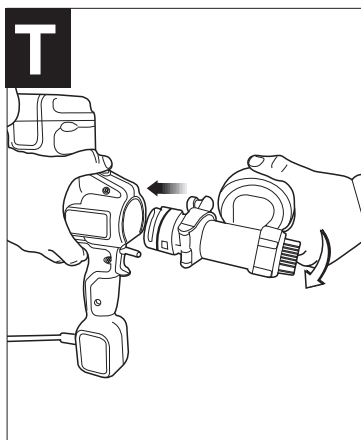
• Reassemble sprayer (**figure R**). **NOTE: The spray tip can only go in one way. The notch on the spray tip, shown in figure S must align with the recess in the threads of the sprayer.**



• Align the nozzle section 90 degrees to the motor housing and press it fully into the motor housing as shown in **figure T**.

• Grasp the nozzle section and twist it downward until the pointer on the nozzle section aligns with the lock symbol on the motor housing (**figure U**).

When properly connected, the two pieces will “snap” into place.



MAINTENANCE AND STORAGE

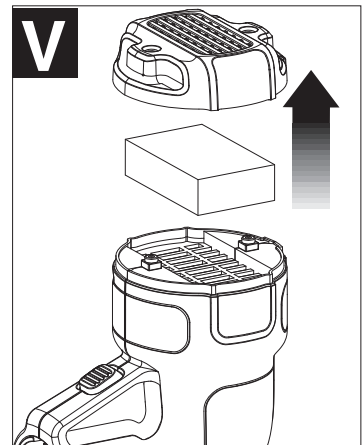
Use only mild soap and damp cloth to clean the power unit. Never let any liquid get inside the power unit; never immerse any part of the power unit into a liquid.

IMPORTANT: To assure product SAFETY and RELIABILITY, repairs, maintenance and adjustment (other than those listed in this manual) should be performed by authorized service centers or other qualified service organizations, always using identical replacement parts.

The sprayer contains a washable/reuseable filter (**figure V**). Check the filter before and after each use. If dirty, wash with warm water and allow to air dry before re-installing or replace if necessary.

• To check the filter, remove the filter cover by loosening the two screws in the cover and pulling the cover off the sprayer. Remove the filter as shown in **figure V** and inspect. Replace filter and filter cover. Snugly tighten screws. Never operate the sprayer without the filter in place. Debris could be sucked in and interfere with the function of the sprayer.

Make sure unit is clean and dry before storing. Store unit indoors in a dry location. To prevent damage, wrap the electrical cord so that it is not crimped during storage.



ACCESSORIES

Recommended accessories for use with your product are available from your local dealer or authorized service center. If you need assistance regarding accessories, please call: **1-800-544-6986**

⚠ WARNING: The use of any accessory not recommended for use with this product could be hazardous.

SERVICE INFORMATION

All Black & Decker Service Centers are staffed with trained personnel to provide customers with efficient and reliable power tool service. Whether you need technical advice, repair, or genuine factory replacement parts, contact the Black & Decker location nearest you. To find your local service location, refer to the yellow page directory under "Tools—Electric" or call: **1-800-544-6986** or visit **www.blackanddecker.com**

⚠ WARNING:: Tool service must be performed only by qualified repair personnel.

⚠ WARNING: When servicing a tool, use only identical replacement parts.

WARRANTY

Full Two-Year Home Use Warranty

Black & Decker (U.S.) Inc. warrants this product for two years against any defects in material or workmanship. The defective product will be replaced or repaired at no charge in either of two ways.

The first, which will result in exchanges only, is to return the product to the retailer from whom it was purchased (provided that the store is a participating retailer). Returns should be made within the time period of the retailer's policy for exchanges (usually 30 to 90 days after the sale). Proof of purchase may be required. Please check with the retailer for their specific return policy regarding returns that are beyond the time set for exchanges.

The second option is to take or send the product (prepaid) to a Black & Decker owned or authorized Service Center for repair or replacement at our option. Proof of purchase may be required. Black & Decker owned and authorized Service Centers are listed under "Tools-Electric" in the yellow pages of the phone directory.

This warranty does not apply to accessories. This warranty gives you specific legal rights and you may have other rights which vary from state to state or province to province. Should you have any questions, contact the manager of your nearest Black & Decker Service Center. This product is not intended for commercial use.

LATIN AMERICA: This warranty does not apply to products sold in Latin America. For products sold in Latin America, check country specific warranty information contained in the packaging, call the local company or see the website for warranty information.

FREE WARNING LABEL REPLACEMENT: If your warning labels become illegible or are missing, call **1-800-544-6986** for a free replacement.

TROUBLESHOOTING

<u>Problem</u>	<u>Possible Cause</u>	<u>Possible Solution</u>
<ul style="list-style-type: none"> • Material runs or drips. 	<ul style="list-style-type: none"> • Spraying too much material. • Spraying too slowly. • Spraying too close. • Viscosity too thin. 	<ul style="list-style-type: none"> • Reduce air flow by turning material adjustment knob. • Increase speed of application. • Increase distance from surface. • Check dilution recommendation.
<ul style="list-style-type: none"> • Too much over spray. 	<ul style="list-style-type: none"> • Sprayer too far from surface. • Too much material being sprayed. 	<ul style="list-style-type: none"> • Reduce distance to surface. • Reduce air flow by turning material adjustment knob.
<ul style="list-style-type: none"> • Little or no material being released. 	<ul style="list-style-type: none"> • Check valve ball stuck. • Spray nozzle/tip clogged. • Pickup tube loose or clogged. • Material adjustment knob setting too low. • Air inlet blocked. • Material too thick. 	<ul style="list-style-type: none"> • Remove check valve. Depress ball to loosen. Add lubricant. See figure Q. • Clean nozzles. • Check tube. • Increase setting. • Clean or change air filter. • Check viscosity recommendation.
<ul style="list-style-type: none"> • Material being sprayed is splattering. 	<ul style="list-style-type: none"> • Viscosity of material is too high. 	<ul style="list-style-type: none"> • Thin material per manufacturer recommendation.
<ul style="list-style-type: none"> • Sprayer pulsates. 	<ul style="list-style-type: none"> • Air filter clogged. • Material in canister almost empty. 	<ul style="list-style-type: none"> • Clean or change filter. • Refill canister.
<ul style="list-style-type: none"> • Liquid comes out side of canister. 	<ul style="list-style-type: none"> • Lid not on square or tight enough. • Paint on threads of canister and lid. 	<ul style="list-style-type: none"> • Remove lid and reattach squarely and evenly, then tighten lid securely. • Clean threads on top and sides of canister and lid.

For assistance with your product, visit our website www.blackanddecker.com for the location of the service center nearest you or call the BLACK & DECKER help line at 1-800-544-6986.

Imported by
Black & Decker (U.S.) Inc.,
701 E. Joppa Rd.
Towson, MD 21286 U.S.A.



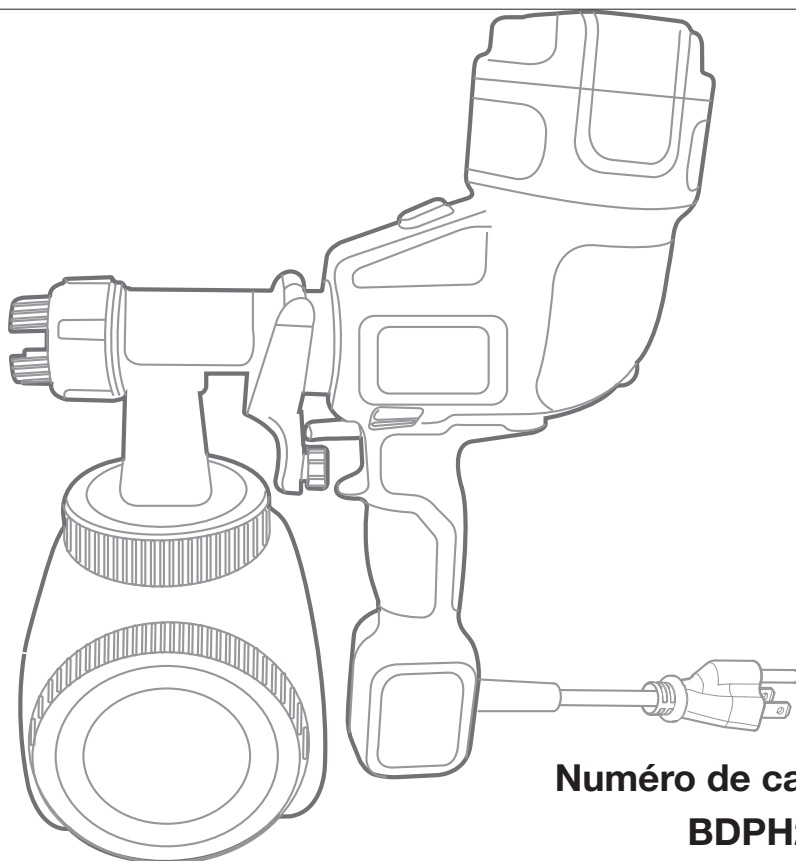
See 'Tools-Elec-
tric'
- Yellow Pages -
for Service &
Sales



BLACK & DECKER[®]

PULVÉRISATEUR HVLP SMARTSELECT^{MC}

MODE D'EMPLOI



**Numéro de catalogue :
BDPH200**

**Merci d'avoir choisi Black & Decker!
Consulter le site Web www.BlackandDecker.com/NewOwner
pour enregistrer votre nouveau produit.**

À LIRE AVANT DE RETOURNER CE PRODUIT POUR QUELQUE RAISON QUE CE SOIT :

Si des questions ou des problèmes surgissent après l'achat d'un produit
Black & Decker, consulter le site Web

WWW.BLACKANDDECKER.COM/INSTANTANSWERS

pour obtenir des réponses instantanément 24 heures par jour.

Si la réponse est introuvable ou en l'absence d'accès à l'Internet, composer le
1 800 544-6986 de 8 h à 17 h HNE, du lundi au vendredi, pour parler avec un agent.

Prière d'avoir le numéro de catalogue sous la main lors de l'appel.

CONSERVER CE MANUEL POUR UN USAGE ULTÉRIEUR.

TABLE DES MATIÈRES

Lignes directrices en matière de sécurité — définitions	15
Consignes de sécurité importantes.....	15
Avertissements de sécurité généraux	16
Directives relatives à la mise à la terre	16
Rallonges	16
Composants.....	17
Préparation	18
Alignement du tube d'aspiration	18
Préparation de la matière.....	18
Tableau de dilution	19
Conseils de préparation	19
Remplissage de la cartouche.....	19
Fonctionnement	19
Réglage du débit du produit	19
Buse Smartselect	20
Technique de pulvérisation	20
Nettoyage	21
Entretien/entreposage	23
Accessoires	23
Information sur les réparations ou l'entretien	23
Garantie	23
Dépannage	24

LIGNES DIRECTRICES EN MATIÈRE DE SÉCURITÉ - DÉFINITIONS

Il est important de lire et de comprendre ce mode d'emploi. Les informations qu'il contient concernent VOTRE SÉCURITÉ et visent à ÉVITER TOUT PROBLÈME. Les symboles ci-dessous servent à aider à reconnaître cette information.

⚠ DANGER : Indique une situation dangereuse imminente qui, si elle n'est pas évitée, causera la mort ou des graves blessures.

⚠ AVERTISSEMENT : Indique une situation potentiellement dangereuse qui, si elle n'est pas évitée, pourrait causer la mort ou de graves blessures.

⚠ MISE EN GARDE : Indique une situation potentiellement dangereuse qui, si elle n'est pas évitée, pourrait causer des blessures mineures ou modérées.

AVIS : Utilisé sans le symbole d'alerte à la sécurité, indique une situation potentiellement dangereuse qui, si elle n'est pas évitée, peut résulter en des dommages à la propriété.

Voici une explication des symboles de danger importants utilisés dans le présent manuel.



1. Lire et comprendre le mode d'emploi.



3. Risque d'explosion.



5. Risque d'électrocution.



2. Risque d'incendie.



4. Risque pour les voies respiratoires.

CONSIGNES DE SÉCURITÉ IMPORTANTES

CONSERVER CES DIRECTIVES : Pour réduire les risques d'incendie ou d'explosion, d'électrocution et de blessures, lire et comprendre toutes les directives comprises dans le présent manuel. Se familiariser avec les commandes et le bon fonctionnement de l'appareil.

• Ce produit est conçu uniquement pour une utilisation domestique.



⚠ AVERTISSEMENT : RISQUE D'INCENDIE OU D'EXPLOSION. Les vapeurs du solvant et du produit de pulvérisation risquent d'exploser ou de prendre feu. Des blessures graves ou des dommages matériels risquent de se produire.

Dans le but d'éviter ces risques, respecter les mesures de prévention suivantes :

- Évacuer l'air vicié et renouveler l'apport d'air frais dans le but de maintenir l'air de la zone de pulvérisation exempt de vapeurs inflammables.
- Éviter toutes sources d'inflammation comme les étincelles produites par l'électricité statique, les flammes nues, les veilleuses, les objets chauds, les produits du tabac allumés et les étincelles provoquées par le branchement ou le débranchement de cordons d'alimentation ou d'interrupteurs de lampes de travail.
- Toujours avoir un extincteur à portée de main et en bon état de fonctionnement.
- Respecter les précautions et les avertissements des fabricants de la matière et du solvant.
- Ne pas pulvériser de matières inflammables ou combustibles près d'une flamme nue ou de sources d'inflammation comme les produits du tabac allumés, les moteurs et les appareils électriques.
- Connaître les composants des produits de pulvérisation et des solvants nécessaires à leur nettoyage. Lire toutes les fiches signalétiques (FS) et les étiquettes de contenant fournies avec le produit de pulvérisation et les solvants. Respecter les consignes de sécurité des fabricants de produits de pulvérisation et de solvants.
- Ne pas utiliser de matières dont le point d'éclair est supérieur à 60 °C (140 °F). Il s'agit de la température à laquelle un liquide peut dégager assez de vapeurs pour prendre feu (consulter le fournisseur d'apprêt).



⚠ AVERTISSEMENT : RISQUE D'EXPLOSION EN PRÉSENCE DE MATIÈRES INCOMPATIBLES. Des blessures graves ou des dommages matériels risquent de se produire.

Dans le but d'éviter ces risques, respecter les mesures de prévention suivantes :

- Ne pas utiliser de javellisant.
- Ne pas utiliser de solvants à base d'halon notamment du chlorure de méthylène et du trichloréthane-1.1.1. Ils sont incompatibles avec l'aluminium et risquent de provoquer une explosion. En cas de doute sur la compatibilité d'une matière avec l'aluminium, communiquer avec le fournisseur de l'apprêt.



⚠ AVERTISSEMENT : VAPEURS DANGEREUSES. Les produits de pulvérisation, les solvants et d'autres matières peuvent être nocifs par inhalation ou contact avec le corps. Les vapeurs peuvent provoquer des nausées graves, des évanouissements ou un empoisonnement.

Dans le but d'éviter ces risques, respecter les mesures de prévention suivantes :

- Utiliser un respirateur ou un masque s'il y a risque d'inhalation des vapeurs. Lire toutes les directives fournies avec le masque pour s'assurer qu'il offre la protection nécessaire.
- Porter une protection oculaire.
- Porter les vêtements protecteurs exigés par le fabricant de l'apprêt.



AVERTISSEMENT : RISQUE D'ÉLECTROCUTION. Peut entraîner de graves blessures.

Dans le but d'éviter ces risques, respecter les mesures de prévention suivantes :

- Maintenir la fiche du cordon d'alimentation et la détente du pistolet pulvérisateur exempts de produit de pulvérisation et d'autres liquides. Ne jamais tenir le cordon par la fiche pour soutenir le cordon. Le non-respect de ces directives peut provoquer une décharge électrique.
- Ne jamais immerger des composants électriques dans de l'eau ou tout autre liquide. Pour nettoyer, essuyer la surface externe du pulvérisateur avec un chiffon humide. Toujours s'assurer que le pulvérisateur est débranché avant de le démonter pour le nettoyage.
- Ne pas exposer l'appareil à la pluie ou à l'humidité.
- Ne pas utiliser le cordon de façon abusive. Ne pas utiliser le cordon pour transporter l'appareil ni tirer dessus pour le débrancher de la prise de courant. Tenir le cordon éloigné de la chaleur, de l'huile, des bords tranchants et des pièces mobiles. Remplacer immédiatement tout cordon endommagé.

AVERTISSEMENTS DE SÉCURITÉ GÉNÉRAUX

AVERTISSEMENT : GÉNÉRAL. Risque de provoquer des blessures graves ou des dommages matériels.

Dans le but d'éviter ces risques, respecter les mesures de prévention suivantes :

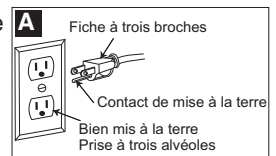
- Ne pas viser de personnes (y compris vous-même) ou d'animaux avec le pistolet ni ne pulvériser de matière sur eux.
- Ne pas pulvériser à l'extérieur les jours venteux.
- Porter des vêtements protecteurs pour protéger la peau et les cheveux du produit de pulvérisation.
- Respecter tous les codes locaux, étatiques, provinciaux, territoriaux et nationaux relatifs à la ventilation, à la prévention des incendies et au fonctionnement.
- Toujours porter des gants, une protection oculaire et un respirateur ou un masque qui conviennent au travail de pulvérisation, de dilution, de mélange, de versage ou de nettoyage.
- Ne pas utiliser ou pulvériser près d'enfants. Tenir les enfants à l'écart de l'appareil en tout temps. Conserver le pulvérisateur hors de la portée des enfants.
- Ne pas trop tendre les bras ou se tenir sur une surface instable. Bien conserver son équilibre et une position stable en tout temps.
- Être vigilant et surveiller le travail effectué.
- Ne pas utiliser l'appareil en cas de fatigue ou sous l'emprise d'alcool ou de drogues.
- Lire toutes les directives et les précautions en matière de sécurité de l'appareil et de la matière à pulvériser avant de mettre en marche l'appareil.
- Le port d'une protection auditive est recommandé lors d'utilisation prolongée.

INSTRUCTIONS DE MISE À LA TERRE

Ce produit doit être mis à la terre. En cas de court-circuit électrique, la mise à la terre réduit le risque d'électrocution en fournissant un fil d'échappement pour le courant électrique. Ce produit est muni d'un cordon ayant un fil de mise à terre avec une prise de mise à la terre adéquate. La fiche doit être branchée sur une prise de courant qui est bien installée et mise à la terre conformément à tous les codes et à toutes les ordonnances à l'échelle locale.



AVERTISSEMENT : RISQUE D'ÉLECTROCUTION. Une mauvaise installation de la fiche de mise à la terre peut entraîner une électrocution. S'il faut réparer ou remplacer le cordon électrique ou la fiche, ne pas relier le fil de mise à la terre à l'une des deux branches plates de la fiche. Le fil de mise à la terre est le conducteur avec isolation qui a une surface extérieure verte avec ou sans rayures jaunes.



Cet appareil est conçu pour une utilisation avec un circuit nominal de 120 V. Il comporte une fiche avec mise à la terre semblable à celle illustrée au schéma A. Connecter uniquement l'appareil dans une prise ayant la même configuration que la fiche. Ne pas utiliser d'adaptateur avec ce produit.

Vérifier auprès d'un électricien ou d'un réparateur professionnel si les directives de mise à la terre ne sont pas parfaitement comprises ou en cas de doute sur le fait que le produit est correctement mis à la terre ou non. Ne pas modifier la fiche fournie; si elle ne s'insère pas dans la prise de courant, faire installer une prise appropriée par un électricien professionnel.

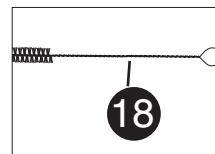
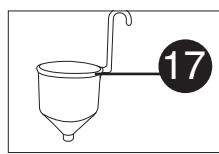
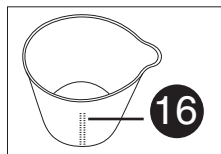
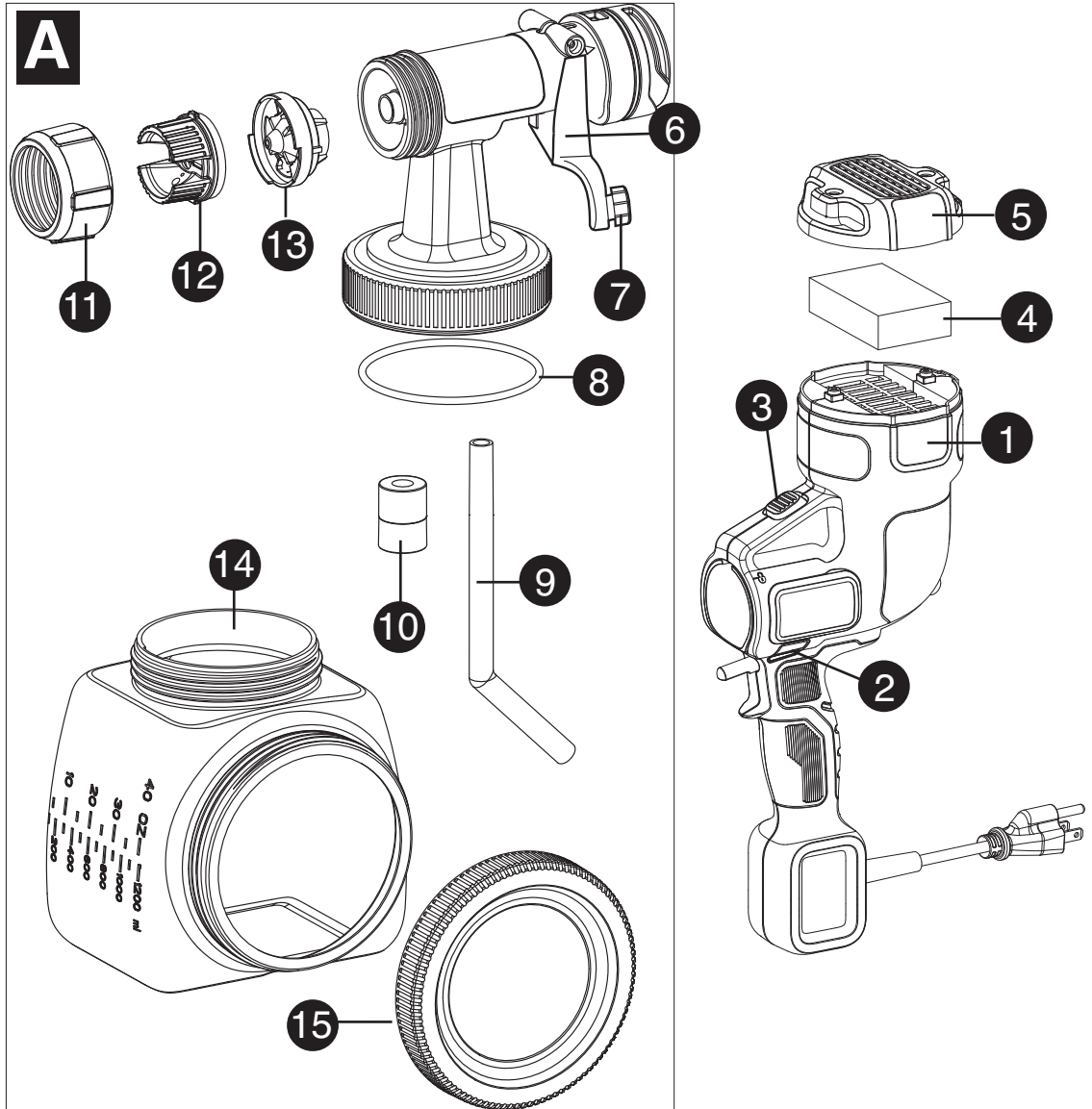
RALLONGES

Utiliser uniquement une rallonge à trois fils qui possède une fiche de mise à la terre à trois lames et une prise à trois fentes correspondant à la fiche du produit. S'assurer que la rallonge est en bon état. Lorsqu'une rallonge est utilisée, s'assurer d'utiliser un calibre suffisamment élevé pour assurer le transport du courant nécessaire au fonctionnement de l'appareil. Une rallonge de calibre inférieur causera une chute de tension de ligne et donc une perte de puissance et une surchauffe. Si la rallonge est destinée à l'usage extérieur, le suffixe W-A doit être inscrit après la classification de la rallonge. Par exemple, un code SJTW-A indiquerait un cordon d'alimentation adéquat pour un usage extérieur. Pour connaître les cordons de bon calibre à utiliser, consulter le tableau suivant.

Tension	Calibre minimal des cordons de rallonge				
	Longueur totale du cordon en pieds				
120V	0-25	26-50	51-100	101-150	
	(0-7,6m)	(7,6-15,2m)	(15,2-30,4m)	(30,4-45,7m)	
240V	0-50	51-100	101-200	201-300	
	(0-15,2m)	(15,2-30,4m)	(30,4-60,9m)	(60,9-91,4m)	
Intensité (A)		Calibre moyen des fils (AWG)			
Au moins	Au plus				
0	- 6	18	16	16	14
6	- 10	18	16	14	12
10	- 12	16	16	14	12
12	- 16	14	12	Non recommandé	

⚠ AVERTISSEMENT : Certains produits de pulvérisation renferment des produits chimiques reconnus par l'État de la Californie pour causer le cancer, des anomalies congénitales ou d'autres dangers pour la reproduction. Pour réduire l'exposition à ces produits chimiques, porter un équipement de sécurité adéquat, à savoir un masque, des gants et tout autre équipement protecteur approprié. Passer en revue et suivre les mesures de sécurité figurant sur le contenant de produit de pulvérisation.

COMPOSANTS



DESCRIPTION FONCTIONNELLE

- | | | |
|------------------------------------|----------------------------------|--|
| 1.) Carter du moteur | 7.) Bouton de réglage du produit | 14.) Cartouche à remplissage latéral |
| 2.) Indicateur du réglage de débit | 8.) Joint torique | 15.) Couvercle |
| 3.) Bouton de dégagement | 9.) Tube d'aspiration | 16.) Seau de mélange de 2,6 l (2 3/4 pintes) |
| 4.) Filtre | 10.) Clapet | 17.) Coupe consistométrique |
| 5.) Couvercle du filtre | 11.) Bague d'extrémité | 18.) Brosse de nettoyage |
| 6.) Détente | 12.) Buse de pulvérisation | |
| | 13.) Chapeau d'air | |

PRÉPARATION

⚠ AVERTISSEMENT : S'assurer d'utiliser l'équipement de protection approprié et débrancher l'appareil.

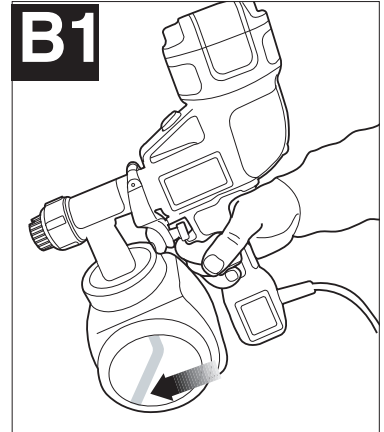
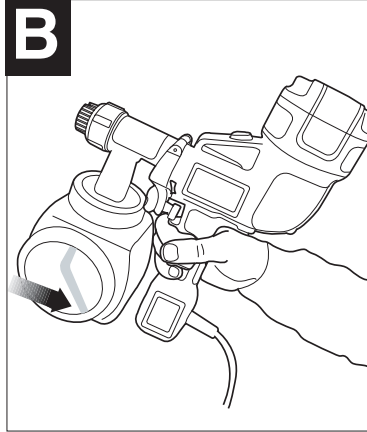
⚠ AVERTISSEMENT : S'assurer que la zone est bien ventilée et qu'elle est exempte de vapeurs inflammables.

ALIGNEMENT DU TUBE D'ASPIRATION (FIGURES B ET B1)

Il est possible d'aligner le tube d'aspiration dans la principale direction de pulvérisation pour éviter de remplir à tout moment la cartouche.

- Pour pulvériser vers le haut ou directement devant vous, positionner le tube d'aspiration (**figure B**) vers l'arrière de la cartouche.
- Pour pulvériser vers le bas, positionner le tube d'aspiration (**figure B1**) vers l'avant de la cartouche.

Ce positionnement vous permettra de pulvériser un maximum de matière avant de remplir la cartouche.





PRÉPARATION DE LA MATIÈRE LIQUIDE (FIGURES C, C1 ET C2)

CONSEIL : S'assurer que le type de matière utilisé peut être nettoyé avec de l'essence minérale ou du diluant (pour les peintures à l'huile) ou une solution d'eau chaude savonneuse (pour les peintures solubles dans l'eau comme le latex). Utiliser des toiles de protection au moment de verser et de mélanger la peinture à pulvériser et lors des essais de viscosité afin de protéger vos planchers et tout ce qui doit rester intact dans la zone de pulvérisation.

Il peut être nécessaire de diluer le liquide à pulvériser avant de commencer. Pour ce faire, utiliser le bon produit diluant recommandé sur le contenant par le fabricant de la matière.

⚠ AVERTISSEMENT : Ne pas utiliser de matières dont le point d'éclair est supérieur à 60 °C (140 °F).

 Utiliser le seau de 2,6 L (2 3/4 pintes) fourni pour transférer la matière à pulvériser du contenant original au moment de la diluer et de la mesurer (**figure C**).

 Une coupe consistométrique est fournie pour déterminer la « vitesse de vidage » de la matière à utiliser.

- Avant de mesurer la bonne viscosité, mélanger bien à fond la matière.
- Enfoncer la coupe consistométrique dans la matière à pulvériser et la remplir complètement.
- Tenant la coupe au-dessus du contenant du produit, mesurer le temps écoulé avant que le flux de liquide ne se « brise » ou ne cesse d'être un flux constant qui sort du fond de la coupe (2 minutes ou moins) (**figure C1**). C'est ce qu'on appelle la « vitesse de vidage ». Consulter le tableau de dilution pour en savoir davantage sur la dilution requise pour différentes matières.
- S'il faut diluer la matière, utiliser le bon diluant recommandé par le fabricant (**figure C2**).

• Il est possible de pulvériser une peinture au latex avec cet appareil. Il se peut toutefois que le taux de dilution nécessaire dépasse les recommandations du fabricant. Diluer la peinture au latex pour qu'elle coule du fond de la coupe consistométrique en moins de deux minutes. L'opérateur de l'appareil doit tenir compte du type d'application et de l'emplacement final du projet lors de la pulvérisation d'une matière qui exige plus de deux minutes pour s'écouler du fond de la coupe consistométrique.

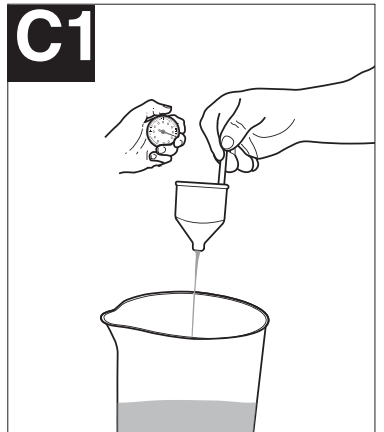


TABLEAU DE DILUTION

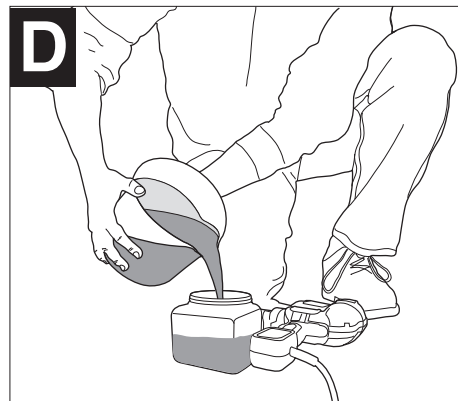
MATIÈRE À PULVÉRISER	VITESSE DE VIDAGE
Teintures et agents de scellement transparents et semi-transparentes	Aucune dilution requise
Apprêts, vernis et polyuréthane à base d'huile	(Moins de deux minutes d'écoulement)
Teintures à base d'eau de couleur unie	Peut exiger une dilution
Peintures à base d'eau ou au latex	(Plus de deux minutes d'écoulement)
Remarque : l'appareil n'est pas recommandé pour la peinture avec texture	

CONSEILS DE PRÉPARATION

- Toujours mélanger et filtrer la matière avant de l'utiliser.
- Toujours bien préparer la surface pour optimiser le fini lors de tout travail de pulvérisation. Autrement dit, toutes les surfaces doivent être exemptes de poussières, de saletés, de rouille et de graisse. Laver sous pression légère les terrasses ou les surfaces extérieures et laisser sécher avant de pulvériser.
- Quoique les pulvérisateurs HVLP provoquent très peu d'éclaboussures, il est recommandé de bien couvrir tous les coins et autres zones et d'utiliser des toiles de protection sur les planchers et tout autre objet de la zone de pulvérisation qui doivent demeurer intacts.
- La pellicule qui se forme à la surface de la peinture risque d'obstruer le pulvérisateur. Retirer la pellicule avant de mélanger. Tamiser avec un entonnoir muni d'un filtre ou à travers un bas de nylon pour retirer toutes impuretés qui risquent d'obstruer le système.
- Avant de commencer, se munir de gants, d'essuie-tout, de torchons, etc., en cas d'accidents.

REMPLEISSAGE DE LA CARTOUCHE (FIGURE D)

- S'assurer que la cartouche est complètement vissée au pulvérisateur.
- Coucher le pulvérisateur sur le côté avec le couvercle latéral de la cartouche vers le haut.
- Dévisser le couvercle sur le côté de la cartouche.
- Remplir la cartouche à remplissage latéral avec la matière bien diluée et filtrée (figure D). **CONSEIL : Utiliser le seau à mélanger pour transférer la matière de son contenant d'origine à la cartouche à remplissage latéral.**
- Nettoyer toute trace de liquide du filetage ou des côtés de la cartouche et du pulvérisateur.
- Commencer par bien engager le couvercle sur le filetage, puis le visser complètement sur la cartouche à remplissage latéral. Vérifier la bonne insertion du couvercle avant de prendre le pulvérisateur.

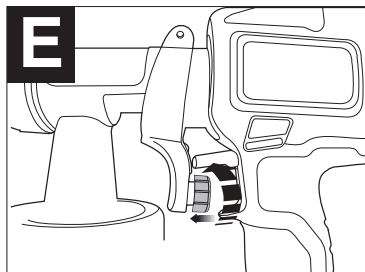


FONCTIONNEMENT

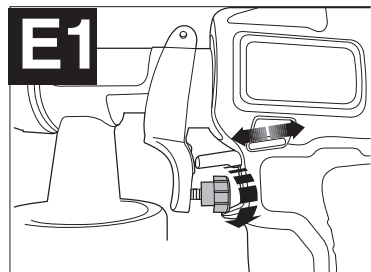
RÉGLAGE DU DÉBIT DU PRODUIT

Régler le volume du produit en tournant le bouton de réglage logé sur la détente du pulvérisateur.

- Pour obtenir un débit maximal du produit, tourner le bouton vers l'intérieur, jusqu'au bout comme le montre la figure E.



- Pour obtenir un débit minimal du produit, tourner le bouton vers l'extérieur, jusqu'au bout comme le montre la figure E1.



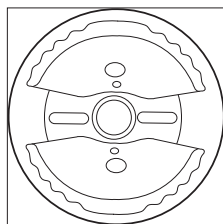
L'indicateur de débit, situé sur le côté du pulvérisateur, avance (débit minimal de liquide) et recule (débit maximal de liquide) lorsque la détente est enfoncée.

CONSEIL : Toujours vérifier d'abord la forme de dispersion du jet sur un vieux morceau de carton ou sur tout autre matériau similaire. Mettre d'abord le bouton de réglage du produit à la position de débit la plus élevée (bouton tourné complètement vers l'intérieur). Si un débit réduit est souhaité, tourner le bouton de réglage du produit vers l'extérieur. Pour la pulvérisation des produits lourds et épais, le bouton doit être réglé vers l'intérieur. Pour la pulvérisation des produits plus fluides, le bouton doit être réglé vers l'extérieur.

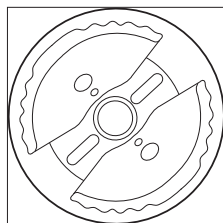
SÉLECTION DE LA BUSE SMARTSELECT (FIGURE F)

Il est possible de choisir entre trois formes de jet. Elles sont inscrites comme 1, 2 et 3 sur l'étiquette Smartselect insérée sur le dessus du pulvérisateur (**figure F**). Pour sélectionner la première forme de jet, tourner la buse et aligner l'indicateur vert de la buse avec le numéro 1 sur l'étiquette (**figure F1**).

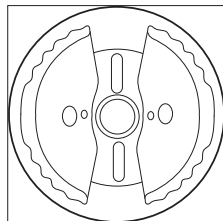
REMARQUE : La buse de pulvérisation ne s'assemble que dans une seule direction. Consulter la figure S pour connaître le bon mode d'assemblage.



• Pulvérisation no 1 : **jet horizontal plat.**
Application de haut en bas sur la surface.



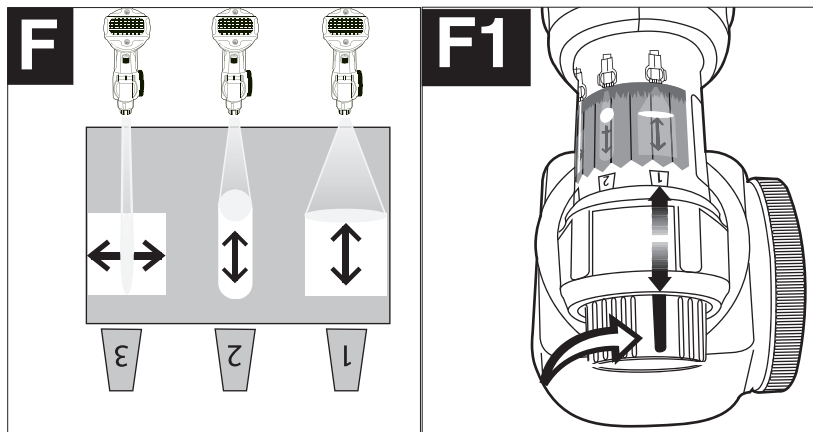
• Pulvérisation no 2 : **jet circulaire.**
Application dans les coins et sur les surfaces et les rebords étroits.



CONSEIL : La position numéro 2 comporte un cran perceptible lorsque la buse de pulvérisation est tournée. S'assurer que la buse est bien dans le cran.

• Pulvérisation no 3 : **jet vertical plat.** Application en balayage d'un côté à l'autre.

⚠ AVERTISSEMENT : Risque de blessures. Ne jamais pointer le pulvérisateur sur une partie quelconque du corps. Ne jamais appuyer sur la détente en réglant la pulvérisation.



MISE AU POINT D'UNE BONNE TECHNIQUE DE PULVÉRISATION

• Pratiquer la pulvérisation sur une matière mise au rebut, comme un morceau de carton, pour tester le jet et se familiariser avec la fonction de commande du débit de pulvérisation.

• S'assurer que la surface à pulvériser est exempte de poussière, de saleté et de graisse.

• S'assurer que la zone de pulvérisation est propre et exempte de poussières qui pourraient être soufflées sur les surfaces nouvellement peintes.

• Couvrir toutes les zones à protéger de la pulvérisation.

• Toujours pulvériser à une distance minimum de 25 mm (1 po) et à une distance maximum de 355 mm (14 po) (**figure G**).

• Une méthode courante utilisée pour pulvériser une surface importante consiste à pulvériser en croix. On commence par la pulvérisation de bandes horizontales, puis on repasse à la verticale sur ces bandes.

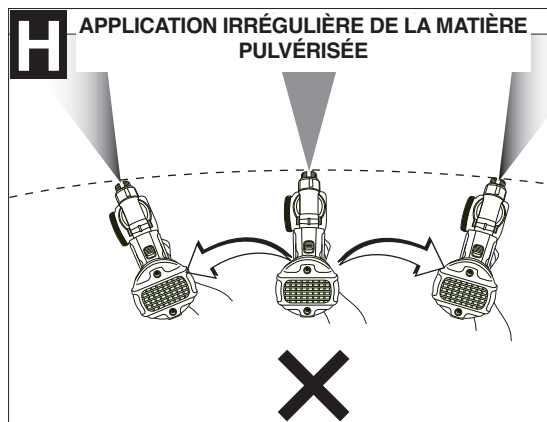
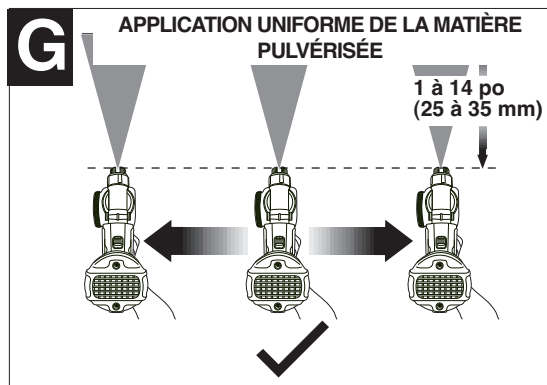
• Pour obtenir une pulvérisation uniforme, toujours maintenir votre bras à la même distance (**figure G**) de la surface à pulvériser.

Éviter de déplacer votre poignet (**figure H**).

• Maintenir une vitesse constante et régulière pour produire une couche uniforme. Commencer la pulvérisation après le début du déplacement et relâcher la détente avant la fin de la pulvérisation de la bande.

• Éviter de pulvériser une couche épaisse au même endroit. Plusieurs couches minces sont meilleures qu'une seule couche épaisse qui peut former des coulisses et des gouttes. Se rappeler que le bouton de commande de débit règle la quantité de liquide à pulvériser. Tourner le bouton de débit en sens horaire augmente le débit. Tourner le bouton en sens antihoraire réduit le débit de liquide. En cas de coulisses de peinture ou de formation de gouttes, passer un coup de pinceau sec pour les lisser.

• Éteindre le bloc d'alimentation si aucune pulvérisation n'est effectuée durant une certaine période de temps.



⚠ AVERTISSEMENT : S'assurer d'utiliser l'équipement de protection approprié.

Utiliser des toiles de protection au moment de verser et de mélanger la peinture à pulvériser et lors des essais de viscosité afin de protéger vos planchers et tout ce qui doit rester intact dans la zone de pulvérisation.

- Ne pas utiliser de matières dont le point d'éclair est supérieur à 60 °C (140 °F). Il s'agit de la température à laquelle un liquide peut dégager assez de vapeurs pour prendre feu (consulter le fournisseur d'apprêt).
- S'assurer que l'aire de nettoyage est bien ventilée et exempte de vapeurs inflammables.
- Toujours pulvériser à l'extérieur lors de l'utilisation d'une solution de nettoyage dans l'appareil.
- Ne pas immerger le bloc d'alimentation.

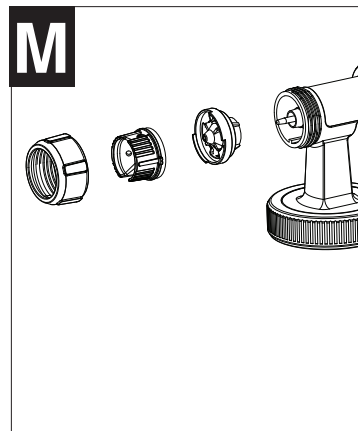
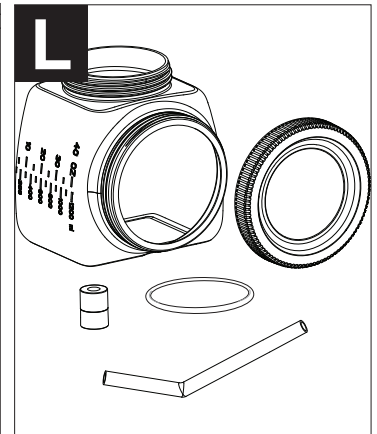
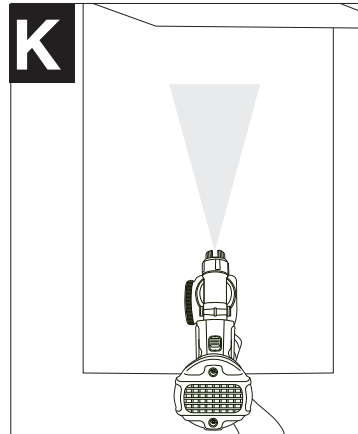
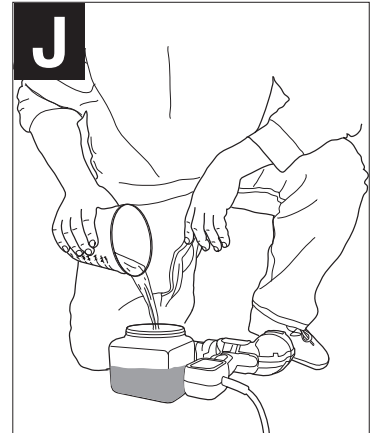
Pour amorcer le nettoyage :

- Débrancher le cordon de la source d'alimentation.
- Dévisser le couvercle sur le côté de la cartouche et verser tout liquide restant dans le contenant original (**figure I**).
- Verser une petite quantité d'une solution de nettoyage appropriée dans la cartouche (**figure J**).
 - Utiliser une eau savonneuse chaude pour les matières à base d'eau.
 - Pour les matières à base d'huile, utiliser la solution de nettoyage recommandée par les fabricants.
- Revisser solidement le couvercle sur la cartouche et secouer vigoureusement le pulvérisateur.
- Dévisser le couvercle sur le côté de la cartouche et éliminer adéquatement la solution de nettoyage.
- Remplir la cartouche avec une petite quantité de solution de nettoyage fraîche (**figure J**). Visser solidement le couvercle sur la cartouche.

Brancher le cordon d'alimentation.

- Pulvériser la solution de nettoyage dans le pulvérisateur sur une matière mise au rebut pendant 2 à 3 secondes (**figure K**).
- Débrancher le cordon de la source d'alimentation.
- Déposer la cartouche et dévisser le couvercle latéral. Déposer le clapet, le tube d'aspiration et le joint torique du pulvérisateur. Nettoyer les pièces avec la brosse de nettoyage et la bonne solution de nettoyage (**figure L**).

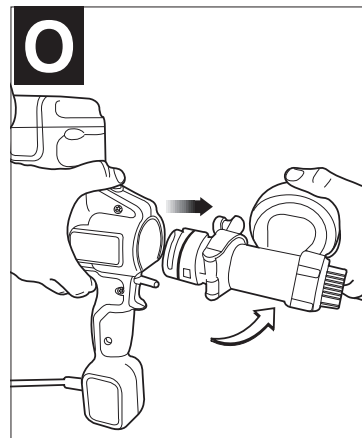
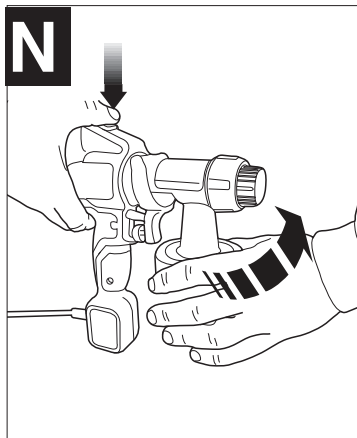
- Dévisser la bague de l'extrémité et déposer la buse et le chapeau d'air. Nettoyer toutes les pièces avec la brosse de nettoyage et la bonne solution de nettoyage (**figure M**).



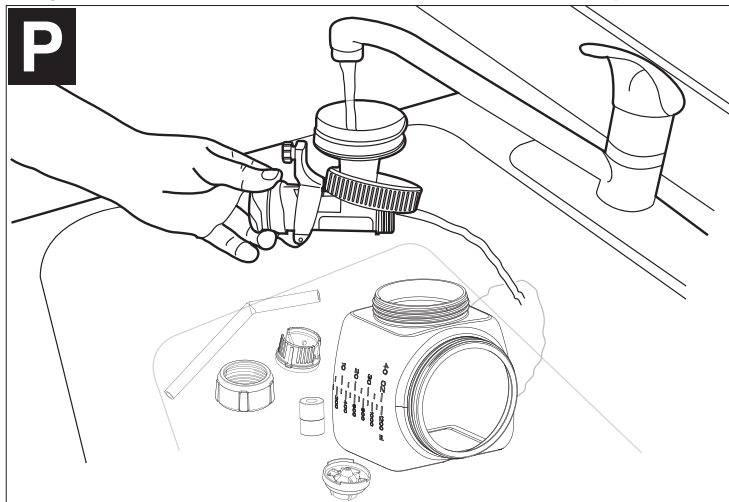
- Détacher la buse du moteur du pulvérisateur en enfonçant le bouton de dégagement, logé sur le carter du moteur, comme le montre la

figure N.

- Saisir la buse et la tourner à 90 degrés du carter, puis la dégager en tirant dessus (**figure O**).



- Si une matière à base d'eau est utilisée, nettoyer le pulvérisateur en aspirant de l'eau courante par le tube d'aspiration comme l'illustre la **figure P**. Dans le cas de matières à base d'huile, nettoyer l'entrée



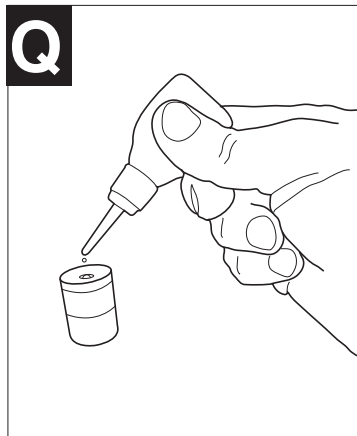
- Bien sécher toutes les pièces.

- Éliminer adéquatement la solution de nettoyage.

- Appliquer une goutte d'huile commune sur la bille métallique du clapet (**figure Q**).

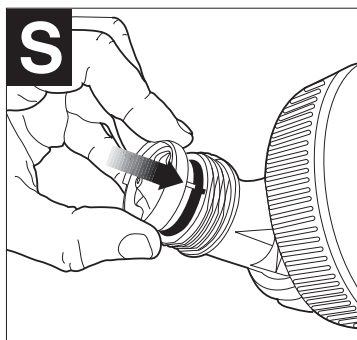
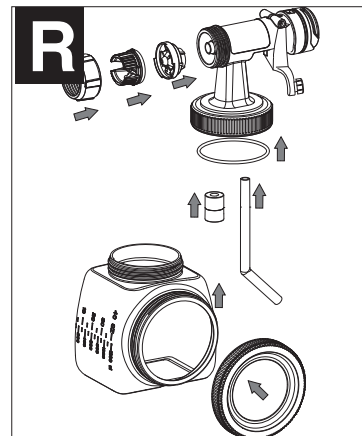
IMPORTANT : La lubrification de la bille du clapet après le nettoyage contribuera à l'empêcher de coller et d'obstruer le clapet permettant ainsi d'optimiser le débit de matière à pulvériser.

REMARQUE : Lors du remontage, placer l'extrémité de la bille métallique du clapet dans le pulvérisateur.



- Assembler de nouveau le pulvérisateur (**figure R**).

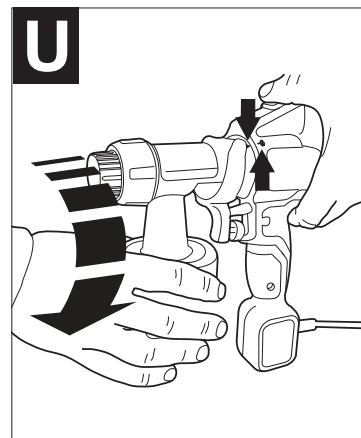
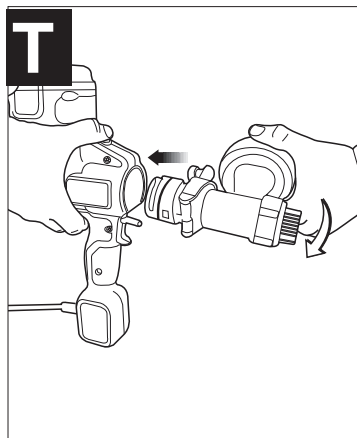
REMARQUE : Le chapeau d'air s'insère uniquement dans une direction. L'encoche du chapeau d'air montré à la figure S doit s'aligner avec la fente du filetage du pulvérisateur.



- Aligner la buse pour qu'elle soit à 90 degrés du carter de moteur, puis l'enfoncer complètement dans le carter comme le montre la **figure T**.

- Saisir la buse et la tourner vers le bas de manière à ce que le pointeur de la buse s'aligne sur le symbole de verrouillage apposé sur le carter du moteur (**figure U**).

Si elles sont bien assemblées, les deux pièces s'enclencheront en place.



ENTRETIEN ET ENTREPOSAGE

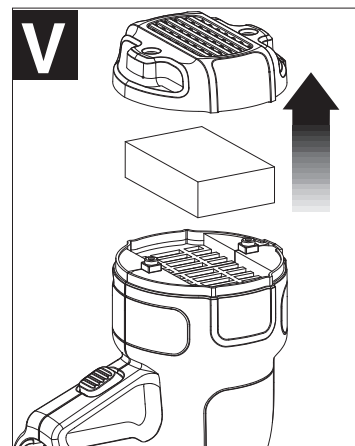
N'utiliser qu'un détergent doux et un chiffon humide pour nettoyer le bloc d'alimentation. Ne jamais laisser de liquide pénétrer dans le bloc d'alimentation et n'immerger aucune pièce du bloc d'alimentation dans un liquide.

IMPORTANT : Pour garantir la SÉCURITÉ et la FIABILITÉ du produit, les réparations, l'entretien et le réglage (autre que ceux énumérés dans ce manuel) doivent être réalisés par un centre de réparation autorisé ou tout autre centre de réparation professionnel, et des pièces de rechange identiques doivent être utilisées.

Le pulvérisateur contient un filtre réutilisable et lavable (**figure V**). Vérifier l'état du filtre avant et après chaque utilisation. S'il est sale, le nettoyer à l'eau chaude et le laisser sécher à l'air avant de le réinstaller ou de le remplacer au besoin.

- Pour vérifier le filtre, enlever le couvercle du filtre. Pour ce faire, desserrer les deux vis, puis retirer le couvercle du pulvérisateur. Déposer le filtre comme l'illustre la **figure V** et l'inspecter. Remettre le filtre et son couvercle en place. Bien serrer les vis. Ne jamais utiliser le pulvérisateur si le filtre n'est pas en place. Des débris risquent d'être aspirés et de nuire au fonctionnement du pulvérisateur.

S'assurer que l'appareil est propre et sec avant de le ranger. Conserver l'appareil à l'intérieur au sec. Pour prévenir tout dommage, bien enrouler le cordon d'alimentation pour éviter de le plier en cours d'entreposage.



ACCESSOIRES

Les accessoires recommandés pouvant être utilisés avec l'outil sont disponibles auprès de votre distributeur local ou centre de réparation autorisé. Pour tout renseignement concernant les accessoires, composer le : **1 800 544-6986**.

⚠ AVERTISSEMENT : l'utilisation de tout accessoire non recommandé avec cet outil pourrait s'avérer dangereuse.

INFORMATION SUR LES RÉPARATIONS

Tous les centres de réparation Black & Decker sont dotés de personnel qualifié en matière d'outillage électrique; ils sont donc en mesure d'offrir à leur clientèle un service efficace et fiable. Que ce soit pour un avis technique, une réparation ou des pièces de rechange authentiques installées en usine, communiquer avec l'établissement Black & Decker le plus près de chez vous. Pour trouver l'établissement de réparation de votre région, consulter le répertoire des Pages jaunes à la rubrique « Outils électriques » ou composer le numéro suivant : **1 800 544-6986** ou consulter le site www.blackanddecker.com

⚠ AVERTISSEMENT : Toute réparation ne doit être effectuée que par des réparateurs professionnels.

⚠ AVERTISSEMENT : Pour réparer un outil, n'utiliser que des pièces de rechange identiques.

GARANTIE

Garantie complète de deux ans pour une utilisation domestique

Black & Decker (É.-U.) Inc. garantit ce produit pour une durée de deux ans contre tout défaut de matériau ou de fabrication. Le produit défectueux sera remplacé ou réparé sans frais de l'une des deux façons suivantes :

La première façon consiste en un simple échange chez le détaillant qui l'a vendu (pourvu qu'il s'agisse d'un détaillant participant). Tout retour doit se faire durant la période correspondant à la politique d'échange du détaillant (habituellement, de 30 à 90 jours après l'achat). Une preuve d'achat peut être requise. Vérifier auprès du détaillant pour connaître sa politique concernant les retours hors de la période définie pour les échanges.

La deuxième option est d'apporter ou d'envoyer le produit (transport payé d'avance) à un centre de réparation autorisé ou à un centre de réparation de Black & Decker pour faire réparer ou échanger le produit, à notre discrétion. Une preuve d'achat peut être requise. Les centres Black & Decker et les centres de service autorisés sont répertoriés dans les pages jaunes, sous la rubrique « Outils électriques ».

Cette garantie ne s'applique pas aux accessoires. Cette garantie vous accorde des droits légaux spécifiques et vous pourriez avoir d'autres droits qui varient d'un État ou d'une province à l'autre. Pour toute question, communiquer avec le directeur du centre de réparation Black & Decker le plus près de chez vous. Ce produit n'est pas destiné à un usage commercial.

REPLACEMENT GRATUIT DES ÉTIQUETTES D'AVERTISSEMENT : si les étiquettes d'avertissement deviennent illisibles ou sont manquantes, composer le **1 800 544-6986** pour en obtenir le remplacement gratuit. pages of the phone directory.

DÉPANNAGE

Problème	Cause possible	Solution possible
<ul style="list-style-type: none"> • La matière coule ou dégoutte. 	<ul style="list-style-type: none"> • La couche pulvérisée est trop épaisse. • La pulvérisation est trop lente. • La pulvérisation est trop près de la surface. • La matière est trop liquide. 	<ul style="list-style-type: none"> • Réduire le débit d'air en tournant le bouton de réglage du produit. • Augmenter la vitesse d'application. • Augmenter la distance de la surface. • Vérifier les recommandations en matière de dilution.
<ul style="list-style-type: none"> • Éclaboussure excessive. 	<ul style="list-style-type: none"> • Pulvérisateur trop éloigné de la surface. • Pulvérisation excessive de matière. 	<ul style="list-style-type: none"> • Réduire la distance de la surface. • Réduire le débit d'air en tournant le bouton de réglage du produit.
<ul style="list-style-type: none"> • Trop peu de matière pulvérisée ou aucune matière pulvérisée. 	<ul style="list-style-type: none"> • La bille métallique du clapet est collée. • Buse de pulvérisation/chapeau d'air obstrué. • Tube d'aspiration lâche ou obstrué. • Bouton de réglage du produit à une position trop basse. • Entrée d'air obstruée. • Matière trop épaisse. 	<ul style="list-style-type: none"> • Déposer le clapet. Enfoncer la bille pour la dégager. Lubrifier. Consulter la figure Q. • Nettoyer les buses. • Vérifier le tube. • Mettre à une position plus élevée. • Nettoyer ou remplacer le filtre à air. • Vérifier les recommandations en matière de viscosité.
<ul style="list-style-type: none"> • La matière pulvérisée éclabousse. 	<ul style="list-style-type: none"> • La viscosité de la matière est trop élevée. 	<ul style="list-style-type: none"> • Diluer la matière selon les recommandations du fabricant.
<ul style="list-style-type: none"> • Le pulvérisateur vibre. 	<ul style="list-style-type: none"> • Le filtre à air est obstrué. • La cartouche est presque vide. 	<ul style="list-style-type: none"> • Nettoyer ou remplacer le filtre. • Remplir la cartouche.
<ul style="list-style-type: none"> • Du liquide s'échappe sur le côté de la cartouche. 	<ul style="list-style-type: none"> • Le couvercle est mal inséré ou pas assez serré. • Traces de peinture sur le filetage de la cartouche et le couvercle. 	<ul style="list-style-type: none"> • Déposer le couvercle et le réinsérer bien droit, puis le visser solidement. • Nettoyer le dessus et les côtés de la cartouche et du couvercle.

Pour de l'aide avec l'outil, consulter notre site Web www.blackanddecker.com pour l'emplacement du centre de réparation le plus près ou communiquer avec l'assistance BLACK & DECKER au **1 800 544-6986**.

Imported by / Importé par
Black & Decker Canada Inc.
100 Central Ave.
Brockville (Ontario) K6V 5W6

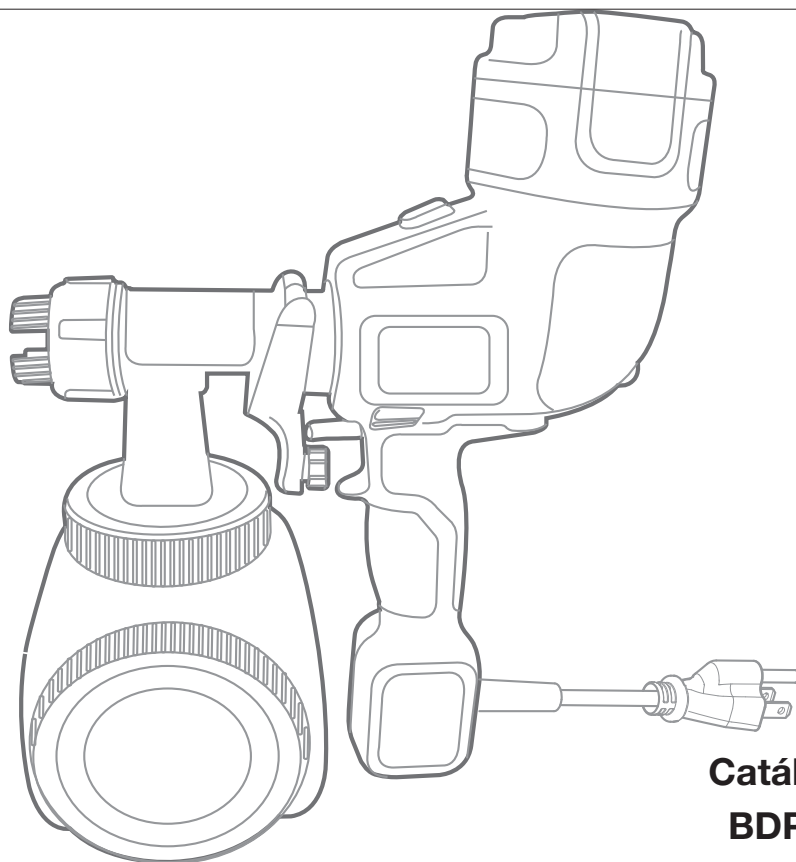
Voir la rubrique "Outils électriques"
des Pages Jaunes
pour le service et les ventes.





PULVERIZADOR SMARTSELECT™ DE ALTO VOLUMEN Y BAJA PRESIÓN (HVLP)

MANUAL DE INSTRUCCIONES



**Catálogo N°
BDPH200**

**Gracias por elegir Black & Decker!
Visite www.BlackandDecker.com/NewOwner
para registrar su nuevo producto.**

LEA EL MANUAL ANTES DE DEVOLVER ESTE PRODUCTO POR CUALQUIER MOTIVO:

Si tiene una consulta o algún inconveniente con su producto Black & Decker, visite
[HTTP://WWW.BLACKANDDECKER.COM/INSTANTANSWERS](http://WWW.BLACKANDDECKER.COM/INSTANTANSWERS)
para obtener respuestas instantáneas las 24 horas del día.

Si no encuentra la respuesta o no tiene acceso a Internet, llame al 1-800-544-6986 de
lunes a viernes de 8 a. m. a 5 p. m. hora del Este para hablar con un agente.
Cuando llame, tenga a mano el número de catálogo.

CONSERVE ESTE MANUAL PARA FUTURAS CONSULTAS.

Normas de seguridad: Definiciones	27
Instrucciones de seguridad importantes	27
Advertencias de seguridad general	28
Instrucciones de conexión a tierra	28
Cables prolongadores	28
Componentes	29
Instalación	30
Alineación del tubo de recogida	30
Preparación del material	30
Tabla de dilución	31
Consejos de preparación	31
Llenado del depósito	31
Funcionamiento	31
Ajuste de flujo del material	31
Boquilla SmartSelect	32
Técnica de pulverización	32
Limpieza	33
Mantenimiento/Almacenamiento	35
Accesorios	35
Información de mantenimiento	35
Garantía	36
Detección de problemas	36

PAUTAS DE SEGURIDAD/DEFINICIONES

Es importante que lea y comprenda este manual. La información que contiene se relaciona con la protección de SU SEGURIDAD y la PREVENCIÓN DE PROBLEMAS. Los símbolos que siguen se utilizan para ayudarlo a reconocer esta información.

- ⚠ PELIGRO:** indica una situación de peligro inminente que, si no se evita, provocará la muerte o lesiones graves.
- ⚠ ADVERTENCIA:** indica una situación de peligro potencial que, si no se evita, provocará la muerte o lesiones graves.
- ⚠ PRECAUCIÓN:** indica una situación de peligro potencial que, si no se evita, provocará lesiones leves o moderadas.
- AVISO:** utilizado sin el símbolo de alerta de seguridad indica una situación de peligro potencial que, si no se evita, puede provocar daños en la propiedad.

Las siguientes son explicaciones de importantes gráficos de los peligros para la seguridad contenidos en este manual.



1. Lea y comprenda el manual de instrucciones.



3. Peligro de explosión.



5. Peligro de descarga eléctrica.



2. Peligro de incendio.



4. Peligro para las vías respiratorias.

INSTRUCCIONES DE SEGURIDAD IMPORTANTES

CONSERVE ESTAS INSTRUCCIONES: Para reducir los peligros de incendio o explosión, descarga eléctrica y lesiones a personas, lea y comprenda todas las instrucciones incluidas en este manual. Familiarícese con los controles y con el uso adecuado del equipo.

- Este producto está diseñado únicamente para uso doméstico.



⚠ ADVERTENCIA: PELIGRO DE INCENDIO O EXPLOSIÓN. Los vapores de los solventes y los materiales pulverizados pueden explotar o encenderse. Esto puede provocar lesiones graves o daños a la propiedad.

Para evitar estos peligros, tome las precauciones siguientes:

- Se deberá evacuar el aire e introducir aire fresco para mantener el aire en el área de pulverización libre de la acumulación de vapores inflamables.
- Evite todas las fuentes de ignición como las chispas de la electricidad estática, las llamas expuestas, las llamas piloto, los objetos calientes, los productos de tabaco encendidos y las chispas producidas por la conexión y desconexión de cables de alimentación o interruptores de luz de trabajo.
- Deberá haber presentes equipos de extinción de incendios y estos deben estar en buenas condiciones.
- Respete las precauciones y advertencias de seguridad del fabricante de los materiales y los solventes.
- No pulverice materiales inflamables o combustibles cerca de una llama expuesta o de fuentes de ignición como productos de tabaco encendidos, motores y equipos eléctricos.
- Infórmese del contenido de los materiales pulverizados y de sus solventes de limpieza. Lea todas las hojas de datos de seguridad del material (HDSM) y las etiquetas de los envases que vienen con el material pulverizado y los solventes. Siga las instrucciones de seguridad del fabricante para los materiales pulverizados y los solventes.
- No utilice materiales con un punto de ignición inferior a 60 °C (140 °F). El punto de ignición es la temperatura a la que un líquido puede producir suficientes vapores para arder (consulte el proveedor del revestimiento).



⚠ ADVERTENCIA: PELIGRO DE EXPLOSIÓN DEBIDO A MATERIALES INCOMPATIBLES. Esto puede provocar lesiones graves o daños a la propiedad.

Para evitar estos peligros, tome las precauciones siguientes:

- No utilice lejía.
- No utilice solventes de hidrocarburo halogenado como el cloruro de metileno y el 1,1,1-tricloroetano. Estos no son compatibles con el aluminio y pueden provocar una explosión. Si no está seguro de la compatibilidad de un material con el aluminio, comuníquese con el proveedor del revestimiento.



⚠ ADVERTENCIA: VAPORES PELIGROSOS. Los materiales pulverizados, los solventes, los insecticidas y otros materiales pueden ser perjudiciales si se inhalan o entran en contacto con el cuerpo. Los vapores pueden provocar graves náuseas, desmayos o envenenamiento.

Para evitar estos peligros, tome las precauciones siguientes:

- Utilice un respirador o máscara si se pueden inhalar los vapores. Lea todas las instrucciones que vienen con la máscara para asegurarse de que proporcionará la protección necesaria.
- Use anteojos de protección.
- Use ropa de protección según lo requiera el fabricante del revestimiento.



⚠ ADVERTENCIA: PELIGRO DE DESCARGA ELÉCTRICA. Puede provocar lesiones graves.

Para evitar estos peligros, tome las precauciones siguientes:

- Mantenga el enchufe del cable eléctrico y el gatillo de la pistola pulverizadora libres de materiales pulverizados y de otros líquidos. Nunca sostenga el cable por las conexiones del enchufe para sujetar el mismo. El incumplimiento de esta instrucción puede provocar una descarga eléctrica.
- Nunca sumerja las piezas eléctricas en agua ni en ningún otro líquido. Pase un paño húmedo por el exterior del pulverizador para limpiarlo. Siempre asegúrese de que el pulverizador esté desenchufado antes de desarmarlo para limpiarlo.
- No esponga la unidad a la lluvia ni a condiciones de humedad.
- No maltrate al cable. Nunca use el cable para transportar la unidad ni para sacar el enchufe del tomacorriente. Mantenga el cable alejado del calor, el aceite, los bordes filosos o las piezas móviles. Reemplace los cables dañados inmediatamente.

ADVERTENCIAS DE SEGURIDAD GENERAL

⚠ ADVERTENCIA: GENERAL. Puede provocar lesiones graves o daños a la propiedad.

Para evitar estos peligros, tome las precauciones siguientes:

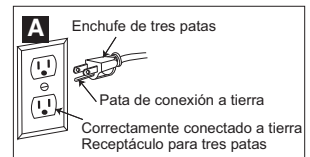
- No apunte la pistola ni pulverice con ella a ninguna persona, incluido usted mismo, ni a un animal.
- No pulverice al aire libre en días ventosos.
- Use ropa de protección para mantener el material pulverizado lejos de la piel y el cabello.
- Respete todos los códigos locales, estatales y nacionales correspondientes que rigen la ventilación, la prevención de incendios y el funcionamiento.
- Siempre use guantes, protección para los ojos y un respirador o máscara adecuados al pulverizar, diluir, mezclar, verter o limpiar.
- No opere ni pulverice cerca de niños. Mantenga a los niños alejados del equipo en todo momento. Mantenga el pulverizador fuera del alcance de los niños.
- No se estire ni se pare sobre una base inestable. Conserve el equilibrio y párese adecuadamente en todo momento.
- Manténgase alerta y fíjese en lo que está haciendo.
- No opere la unidad cuando esté cansado o bajo la influencia de alcohol o drogas.
- Lea todas las instrucciones y las precauciones de seguridad para el equipo y el material de pulverización antes de operar cualquier equipo.
- Para uso prolongado, se recomienda el uso de protección para los oídos.

INSTRUCCIONES DE CONEXIÓN A TIERRA

Este producto deberá conectarse a tierra. En el caso de un cortocircuito, la conexión a tierra reduce el riesgo de descarga eléctrica al proveer un alambre de escape para la corriente eléctrica. Este producto está equipado con un cable que tiene un alambre de conexión a tierra con un enchufe de conexión a tierra adecuado. El enchufe se deberá utilizar con un tomacorriente que esté debidamente instalado y conectado a tierra de acuerdo con todos los códigos y las ordenanzas locales.



⚠ ADVERTENCIA: PELIGRO DE DESCARGA ELÉCTRICA. La instalación incorrecta del enchufe de conexión a tierra puede dar como resultado un peligro de descarga eléctrica. Cuando se requiera la reparación o reemplazo del cable o el enchufe, no conecte el alambre de conexión a tierra a ninguno de los terminales de pata plana. El alambre con aislante que tiene una superficie exterior de color verde, con o sin bandas amarillas, es el alambre de conexión a tierra.



Este producto es para uso en un circuito con un voltaje nominal de 120 V y tiene un enchufe de conexión a tierra similar al ilustrado en el esquema A. Conecte el producto únicamente a un tomacorriente que tenga la misma configuración que el enchufe. No utilice un adaptador con este producto.

Recorra a un electricista o un encargado de mantenimiento calificado cuando las instrucciones de conexión a tierra no se entiendan por completo o cuando tenga dudas de que el producto esté debidamente conectado a tierra. No modifique el enchufe provisto; si éste no es compatible con el tomacorriente, solicite a un electricista calificado que instale el tomacorriente adecuado.

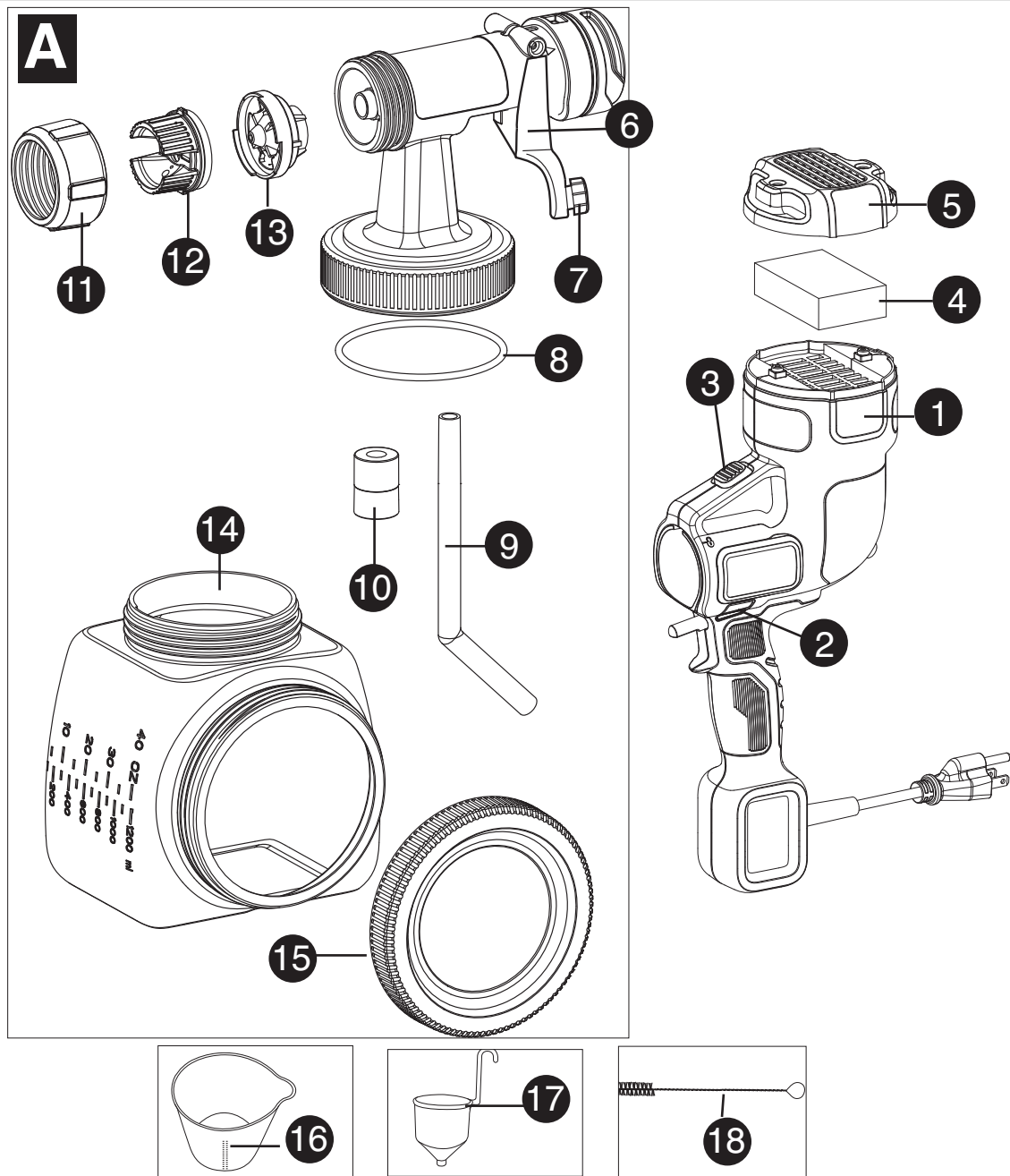
CABLES PROLONGADORES

Utilice únicamente un cable prolongador trifilar que tenga un enchufe de conexión a tierra de 3 patas y un receptáculo de 3 ranuras compatible con el enchufe del producto. Asegúrese de que el cable prolongador esté en buenas condiciones. Cuando utilice un cable prolongador, cerciórese de que tenga la capacidad para conducir la corriente que su producto exige. Un cable de menor capacidad provocará una caída en el voltaje de la línea, lo cual producirá una pérdida de potencia y sobrecalentamiento. Si va a utilizarse un cable prolongador al aire libre, éste deberá estar marcado con el sufijo W-A de acuerdo con la designación del tipo de cable. Por ejemplo, una designación SJTW-A indicaría que el cable es adecuado para uso al aire libre. Consulte la tabla a continuación para conocer los cables con la capacidad adecuada.

Calibre mínimo para cables de extensión					
Volts	Longitud total del cable en pies				
	0-25	26-50	51-100	101-150	
120V		(0-7,6m)	(7,6-15,2m)	(15,2-30,4m)	(30,4-45,7m)
	240V	0-50	51-100	101-200	201-300
		(0-15,2m)	(15,2-30,4m)	(30,4-60,9m)	(60,9-91,4m)
Amperaje		American Wire Gage			
Más de	No más de				
0	- 6	18	16	16	14
6	- 10	18	16	14	12
10	- 12	16	16	14	12
12	- 16	14	12	No se recomienda	

⚠ ADVERTENCIA: Algunos materiales pulverizados contienen sustancias químicas reconocidas por el Estado de California como causantes de cáncer, defectos de nacimiento u otros problemas reproductivos. Para reducir la exposición, use equipos de seguridad apropiados, como máscaras faciales, guantes y otros equipos de protección adecuados. Revise y respete las precauciones de seguridad que aparecen en el recipiente del material pulverizado.

COMPONENTES



DESCRIPCIÓN DE LAS FUNCIONES

- | | | |
|-----------------------------------|------------------------------------|--|
| 1.) Caja del motor | 7.) Perilla de ajuste del material | 14.) Depósito de llenado lateral |
| 2.) Indicador de control de flujo | 8.) Junta tórica | 15.) Tapa |
| 3.) Botón de liberación | 9.) Tubo de recogida | 16.) Cubo para mezcla de 2,6 l
(2-3/4 cuartos de galón) |
| 4.) Filtro | 10.) Válvula de control | 17.) Vaso de viscosidad |
| 5.) Cubierta del filtro | 11.) Collar de la punta | 18.) Cepillo de limpieza |
| 6.) Gatillo | 12.) Boquilla de pulverización | |
| | 13.) Punta de pulverización | |

INSTALACIÓN

⚠ ADVERTENCIA: Asegúrese de usar el equipo protector adecuado y desenchufe la unidad.

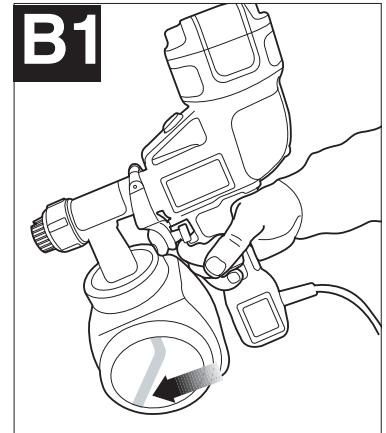
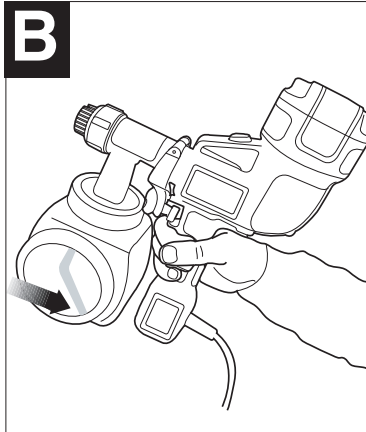
⚠ ADVERTENCIA: Asegúrese de que el área esté bien ventilada y sin vapores inflamables.

ALINEACIÓN DEL TUBO DE RECOGIDA (FIGURAS B Y B1)

El tubo de recogida se puede alinear en la dirección en la cual se realizará la mayor parte de la pulverización para ayudar a minimizar la cantidad de veces que deberá rellenar el depósito.

- Si está pulverizando en un ángulo ascendente o en forma recta, ubique el tubo de recogida (**Figura B**) hacia la parte trasera del depósito.

- Si está pulverizando en un ángulo descendente, ubique el tubo de recogida (**Figura B1**) hacia la parte delantera del depósito. Esto asegurará que pulverice tanto material como sea posible antes de que necesite rellenar.



PREPARACIÓN DE MATERIALES LÍQUIDOS (FIGURAS C, C1 Y C2)

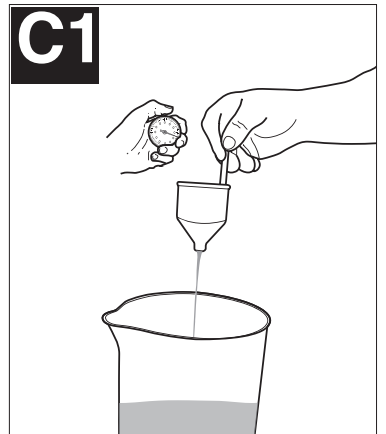
CONSEJO: Asegúrese de que el tipo de material que utiliza se pueda limpiar con alcoholes minerales o solventes (para pinturas a base de aceite) o una solución de agua tibia y jabón (para pinturas solubles en agua como el látex). Para proteger los pisos y cualquier otra cosa en el área de pulverización que desee mantener intacta, utilice paños atrapagotas al verter, mezclar y probar la viscosidad de los materiales que se van a pulverizar.

Es posible que necesite diluir el líquido que se pulveriza antes de comenzar. Al diluir, utilice el solvente líquido adecuado que el fabricante del material recomienda en el envase.

⚠ ADVERTENCIA: No utilice materiales con un punto de ignición inferior a 60 °C (140 °F).



Se proporciona un cubo para mezcla de 2,6 L (2-3/4 cuartos de galón) para su uso al transferir material de pulverización desde el envase original al cubo para fines de dilución y medición (**Figura C**).



Se proporciona un vaso de prueba de viscosidad para determinar el "tiempo de descarga" del material que se utiliza.

- Antes de medir si existe la viscosidad adecuada, revuelva bien el material.
- Sumerja el vaso de viscosidad en el material que se está pulverizando y llénelo completamente.

- Sostenga el vaso sobre el envase del material y mida la cantidad de tiempo que tarda el chorro de material que fluye, hasta que se "interrumpe" o dejar de ser un chorro constante que sale de la parte inferior del vaso (2 minutos o menos) (**Figura C1**). Este es el "tiempo de descarga". Consulte la tabla de dilución para obtener información sobre la dilución necesaria para distintos materiales.

- Si el material necesita dilución, agregue el solvente líquido adecuado recomendado por el fabricante (**Figura C2**).

- Es posible pulverizar pintura látex con esta unidad; sin embargo, la dilución requerida del material puede exceder la recomendación del fabricante. Diluya la pintura látex de manera que fluya por el vaso de viscosidad en menos de 2 minutos. El operador debe tener en cuenta el tipo de aplicación y la ubicación final del proyecto al pulverizar un material que requiera más de 2 minutos para fluir por el vaso de viscosidad.

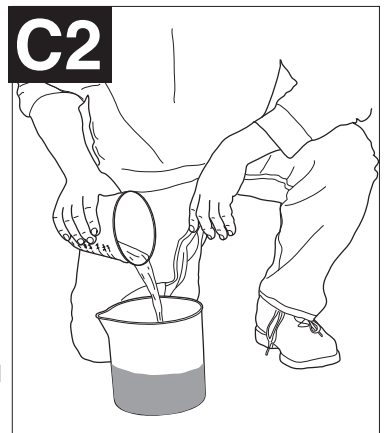


TABLA DE DILUCIÓN

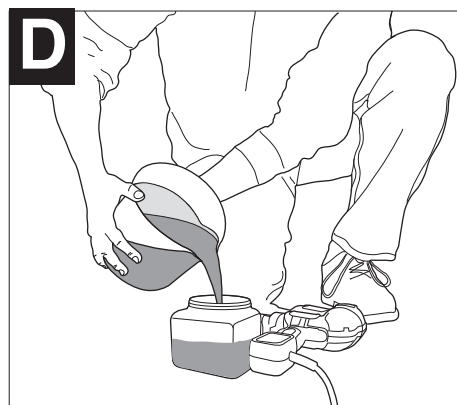
MATERIAL DE PULVERIZACIÓN	TIEMPO DE DESCARGA
Tintes y selladores transparentes y semitransparentes Imprimadores a base de aceite, barnices y poliuretano	No requieren dilución (descarga en menos de 2 minutos)
Tintes de un solo color a base de agua Pinturas látex o a base de agua	Pueden requerir dilución (descarga en más de 2 minutos)
Nota: No se recomienda para pintura granulada.	

CONSEJOS DE PREPARACIÓN

- Siempre revuelva y cuele bien el material antes del uso.
- En cada trabajo de pulverización, siempre debe asegurarse de haber preparado correctamente la superficie para obtener el mejor acabado. Es decir, que todas las superficies estén libres de polvo, suciedad, óxido y grasa. Lave las cubiertas o las superficies exteriores a presión leve y asegúrese de que estén secas antes de pulverizar.
- Aunque los pulverizadores de alto volumen y baja presión (HVLP) presentan muy poca sobrepulverización, se le recomienda cubrir todos los bordes y demás áreas, y utilizar paños atrapagotas para proteger los pisos y cualquier otra cosa en el área de pulverización que desee mantener intacta.
- La película que se forma en la parte superior de la pintura puede obstruir el pulverizador. Elimine la película antes de mezclar. Cuele utilizando un embudo con un filtro instalado o a través de calcetería para eliminar toda impureza que pudiera obstruir el sistema.
- Antes de comenzar, disponga de guantes, toallas de papel, trapos, etc. para derrames inesperados.

LLENADO DEL DEPÓSITO (FIGURA D)

- Revise para asegurarse de que el depósito esté completamente enroscado sobre el pulverizador.
- Apoye el pulverizador sobre un costado con el tapón lateral del depósito mirando hacia arriba.
- Desenrosque el tapón del costado del depósito.
- Vierta el material a pulverizar debidamente diluido y colado dentro del depósito de llenado lateral (**Figura D**). **CONSEJO: Utilice el cubo para mezcla provisto para verter el material del envase original en el depósito de llenado lateral.**
- Limpie todo residuo de líquido de las roscas o los lados del depósito y el pulverizador.
- Con las roscas bien alineadas, enrosque la tapa completamente sobre el depósito de llenado lateral. Revise la tapa para asegurarse de que esté pareja y completamente enroscada antes de levantar el pulverizador.



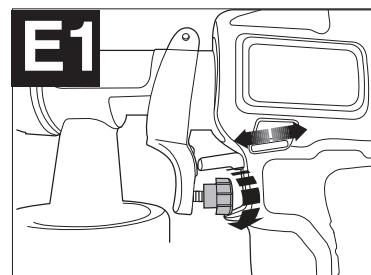
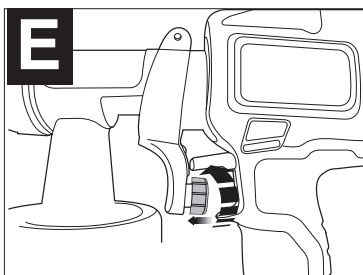
FUNCIONAMIENTO

AJUSTE DE FLUJO DEL MATERIAL

Regule el volumen del material girando la perilla de ajuste del material en el gatillo del pulverizador.

- Para un flujo máximo del material, enrosque completamente la perilla como se muestra en la **Figura E**.
- Para un flujo mínimo del material, desenrosque completamente la perilla como se muestra en la **Figura E1**.

El indicador de flujo en la parte lateral del pulverizador se mueve hacia adelante (flujo mínimo de líquido) y hacia atrás (flujo máximo de líquido) cuando se oprime el gatillo.

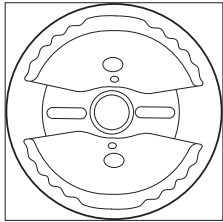


CONSEJO: Siempre pruebe el patrón de pulverización primero sobre cartón desechable o un material similar. Comience con la perilla de ajuste del material en la regulación más alta de flujo (enroscada completamente). Si se desea menor flujo, desenrosque la perilla de ajuste del material. Los materiales más pesados y espesos deben pulverizarse con la perilla más enroscada. Los materiales más diluidos deben pulverizarse con la perilla menos enroscada.

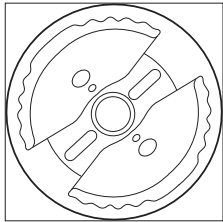
SELECCIÓN DE BOQUILLA SMARTSELECT (FIGURA F)

Existen tres patrones de pulverización entre los cuales elegir. Estos están marcados como 1, 2 y 3 en la etiqueta SmartSelect ubicada en la parte superior del pulverizador (Figura F). Para seleccionar el patrón número 1, gire la boquilla de pulverización y alinee el indicador de color verde de ésta con el número 1 de la etiqueta (Figura F1).

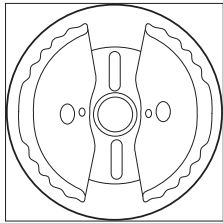
NOTA: La boquilla de pulverización puede ensamblarse en una dirección únicamente. Consulte la Figura S para conocer el ensamblaje adecuado.



• Patrón número 1: **Chorro plano vertical** para aplicar de arriba a abajo en una superficie.



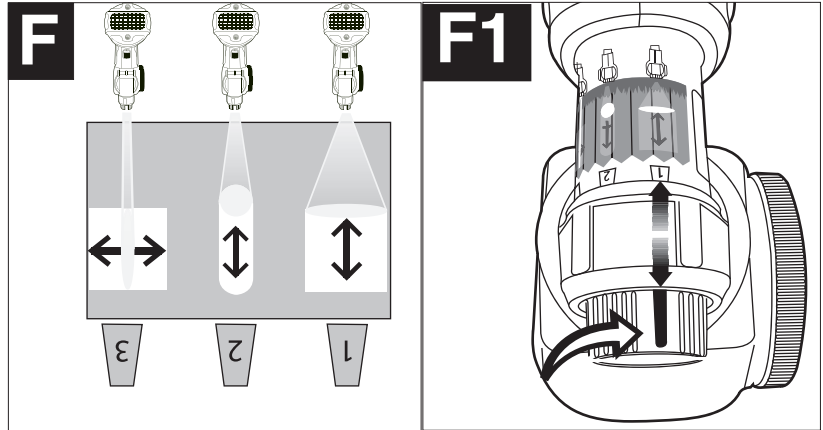
• Patrón número 2: **Chorro circular** para esquinas, bordes y superficies angostas.



• Patrón número 3: **Chorro plano horizontal** para aplicar de un lado a otro.

CONSEJO: La posición número 2 tiene un tope que puede notar al girar la boquilla de pulverización. Asegúrese de ubicarla en el tope.

⚠ ADVERTENCIA: Peligro de lesión. Nunca apunte el pulverizador a ninguna parte del cuerpo. Nunca oprima el gatillo mientras regula el ajuste de pulverización.



DESARROLLO DE LA TÉCNICA DE PULVERIZACIÓN ADECUADA

• Practique la pulverización sobre una pieza de material desechable como un cartón para probar el patrón de pulverización y familiarícese con la función de control de flujo del pulverizador.

• Asegúrese de que la superficie a pulverizar esté libre de polvo, suciedad y grasa.

• Asegúrese de que la superficie a pintar esté libre de polvo, suciedad y grasa.

• Asegúrese de que el área de pulverización esté limpia y libre de polvo que podría soplar sobre las superficies recién pintadas.

• Cubra todas las áreas que no vaya a pulverizar.

• Siempre pulverice desde una distancia mínima de 25 mm (1 pulgada) hasta una distancia máxima de 355 mm (14 pulgadas) (Figura G).

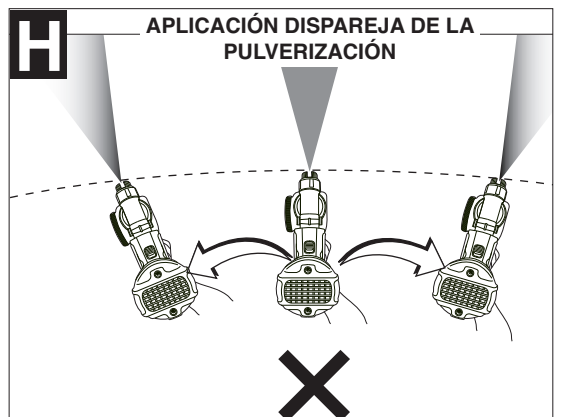
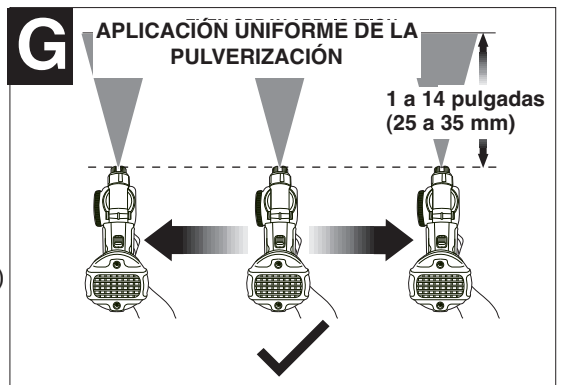
• Un método comúnmente utilizado para pulverizar una superficie grande es el patrón "entrecruzado". Esto se hace pulverizando en franjas horizontales y luego cruzando sobre éstas con franjas verticales.

• Para lograr una distribución uniforme de la pulverización, siempre mantenga su brazo a la misma distancia (Figura G) de la superficie que pulveriza y evite mover su muñeca (Figura H).

• Mantenga una velocidad suave y constante que le ayudará a evitar inconsistencias. Comience a pulverizar después de iniciar la pasada y suelte el gatillo antes de terminar la pasada.

• Evite pulverizar demasiado en una sola área. Varias capas más delgadas son mejores que una capa gruesa que puede producir escurrimiento y goteo. La perilla de control de flujo regula la cantidad de líquido que se puede pulverizar. Al girar la perilla de flujo hacia la derecha se aumenta el flujo de líquido. Al girar la perilla hacia la izquierda se reduce el flujo de líquido. Si se producen escurrimientos o goteos, tenga a mano una brocha seca para emparejarlos.

• Apague la unidad de alimentación cuando no pulverice durante cualquier cantidad de tiempo.



LIMPIEZA

⚠ ADVERTENCIA: Asegúrese de usar el equipo protector adecuado.

Para proteger los pisos y cualquier otra cosa en el área de pulverización que desee mantener intacta, utilice paños atrapagotas al verter, mezclar y probar la viscosidad de los materiales que se van a pulverizar.

- No utilice materiales con un punto de ignición inferior a 60 °C (140 °F). El punto de ignición es la temperatura a la que un líquido puede producir suficientes vapores para arder (consulte el proveedor del revestimiento).

- Asegúrese de que el área de limpieza esté bien ventilada y libre de vapores inflamables.
- Siempre pulverice al aire libre cuando expulse la solución de limpieza a través del pulverizador.

- No sumerja la unidad motriz.

Para iniciar la limpieza:

- Desenchufe el cable de la fuente de alimentación.

- Desenrosque la tapa del costado del depósito y vierta todo el líquido restante de vuelta en el envase original (**Figura I**).

- Vierta una cantidad pequeña de la solución de limpieza adecuada dentro del depósito (**Figura J**).

- Agua tibia jabonosa para materiales a base de agua.

- Solución de limpieza recomendada por el fabricante para los materiales a base de aceite.

- Vuelva a colocar firmemente la tapa en el depósito y agite vigorosamente el pulverizador.

- Desenrosque la tapa del costado del depósito y deseche adecuadamente la solución de limpieza.

- Rellene el depósito con una cantidad pequeña de solución de limpieza nueva (**Figura J**).

- Enrosque la tapa firmemente sobre el depósito.

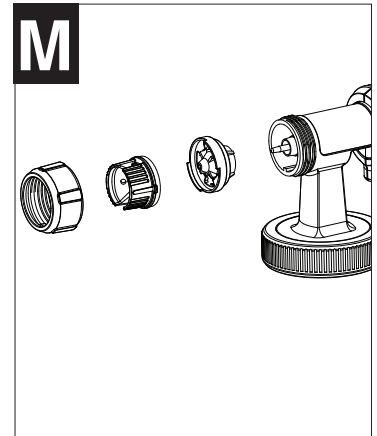
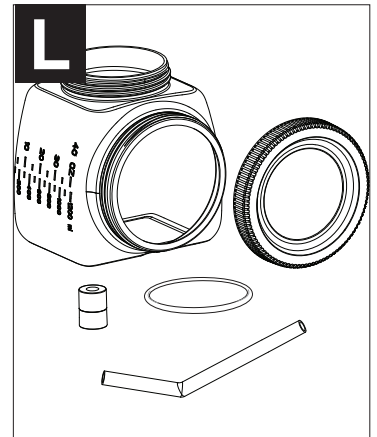
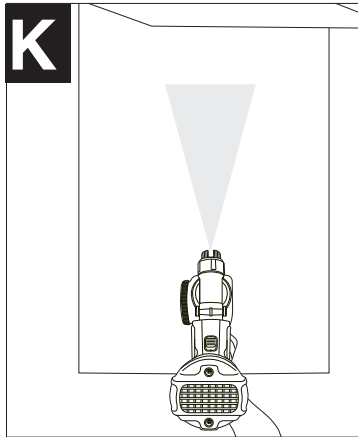
- Enchufe el cable de alimentación.

- Pulverice la solución de limpieza a través del pulverizador sobre material desechable durante 2 a 3 segundos (**Figura K**).

- Desenchufe el cable de la fuente de alimentación.

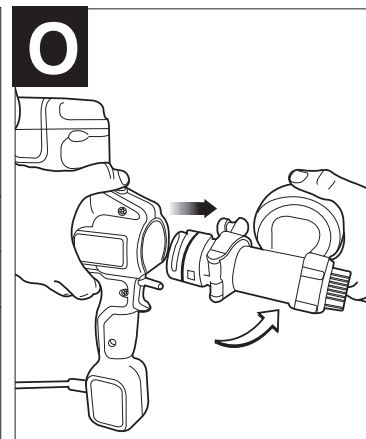
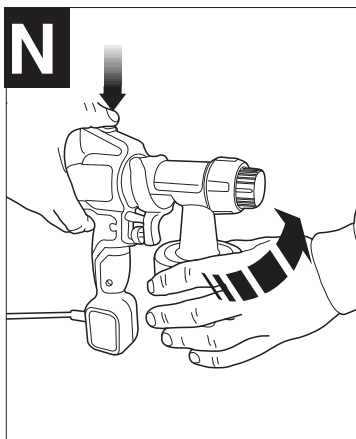
- Quite el depósito y desenrosque la tapa lateral. Quite la válvula de control, el tubo de recogida y la junta tórica del pulverizador. Limpie las piezas con el cepillo de limpieza en la solución de limpieza adecuada (**Figura L**).

- Desenrosque el anillo de la punta y quite la boquilla de pulverización y la punta de pulverización. Limpie todas las piezas con el cepillo de limpieza en la solución de limpieza adecuada (**Figura M**).



• Separe la sección de la boquilla del motor del pulverizador oprimiendo el botón de liberación de la caja del motor como se muestra en la **figura N**.

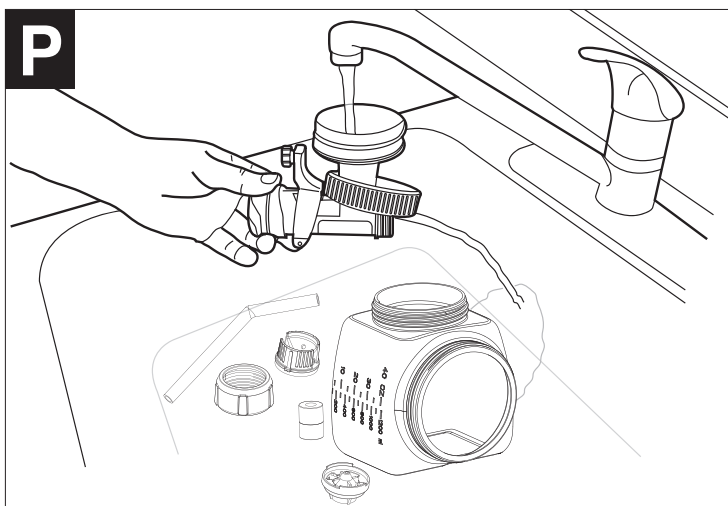
• Sujete la sección de la boquilla y gírela hasta que esté a 90 grados en relación con la caja y luego extráigala tirando hacia afuera (**Figura O**).



• Si utiliza un material a base de agua, limpie el pulverizador dejando correr agua a través de la entrada del tubo de recogida como se muestra en la **Figura P**. Si utiliza materiales a base de aceite, limpie la entrada del tubo de recogida con la solución de limpieza adecuada. Repita hasta que el pulverizador esté completamente limpio.

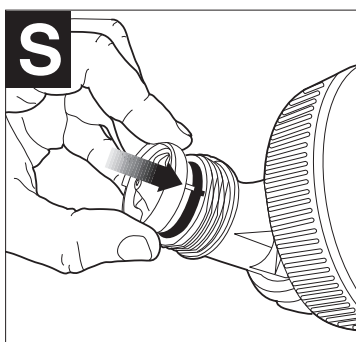
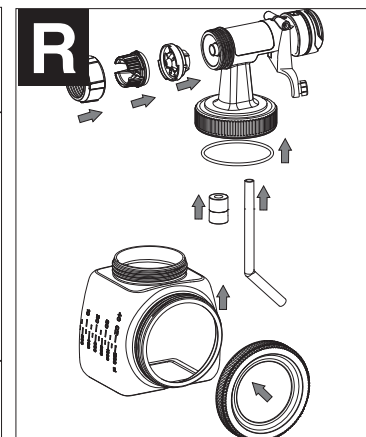
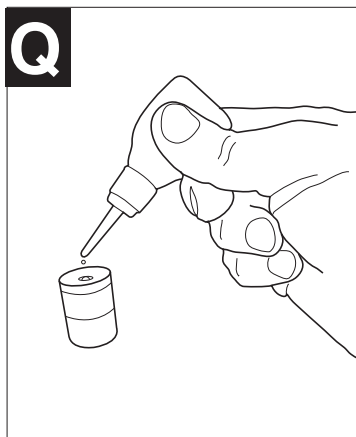
• Seque bien todas las piezas.

• Deseche debidamente la solución de limpieza.



• Ponga una gota de aceite de uso doméstico sobre la bola metálica de la válvula de control (**Figura Q**). **IMPORTANTE:** La lubricación de la bola de la válvula de control, después de la limpieza, ayudará a evitar que se pegue, ya que esto puede obstruir la válvula e impedir el flujo adecuado del material pulverizado. **NOTA:** Al reensamblar, coloque el extremo de la bola metálica de la válvula de control dentro del pulverizador.

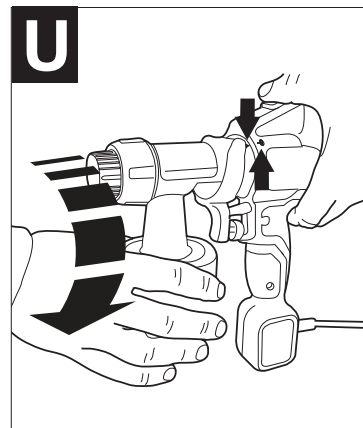
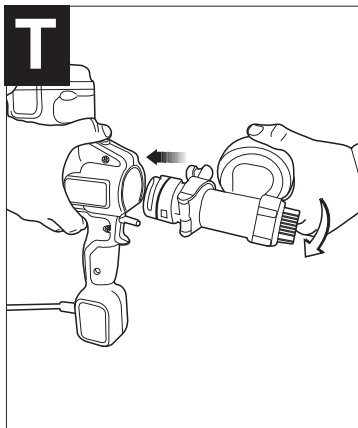
• Reensamble el pulverizador (**Figura R**). **NOTA:** La punta de pulverización puede entrar únicamente de una manera. La marca en la punta de pulverización, que se muestra en la **Figura S**, deberá alinearse con la cavidad en las roscas del pulverizador.



• Alinee la sección de la boquilla a 90 grados en relación con la caja del motor e introdúzcala completamente en ella como se muestra en la **figura T**.

• Sujete la sección de la boquilla y gírela hacia abajo hasta que el punto indicador de ésta se alinee con el símbolo de bloqueo de la caja del motor (**Figura U**).

Cuando se acoplan correctamente, ambas piezas encajarán en su lugar produciendo un chasquido.



MANTENIMIENTO Y ALMACENAMIENTO

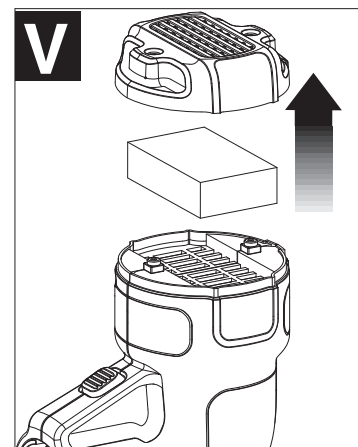
Para limpiar la unidad motriz, utilice únicamente jabón suave y un paño húmedo. Nunca permita que penetre ningún líquido dentro de la unidad motriz; nunca sumerja ninguna pieza de la unidad motriz en un líquido.

IMPORTANTE: Para garantizar la **SEGURIDAD** y **CONFIABILIDAD** del producto, las reparaciones, el mantenimiento y los ajustes (distintos de los enumerados en este manual) deben realizarse en los centros de mantenimiento autorizados o en otras organizaciones de mantenimiento calificadas, siempre utilizando piezas de repuesto idénticas.

El pulverizador contiene un filtro lavable/reutilizable (Figura V). Revise el filtro antes y después de cada uso. Si está sucio, lávelo con agua tibia y déjelo secar al aire antes de reinstalarlo o reemplácelo si es necesario.

• Para revisar el filtro, quite la cubierta del filtro soltando ambos tornillos de ésta y separándola del pulverizador. Extraiga el filtro como se muestra en la **Figura V** e inspecciónelo. Vuelva a colocar el filtro y la cubierta del filtro. Ajuste bien los tornillos. Nunca opere el pulverizador sin el filtro en su lugar. Podrían absorberse residuos e interferir con el funcionamiento del pulverizador.

Asegúrese de que la unidad esté limpia y seca antes de guardarla. Guarde la unidad bajo techo en un lugar seco. Para evitar daños, enrolle el cable eléctrico de manera que no se doble durante el almacenamiento.



ACCESORIOS

Los accesorios recomendados para uso con el producto están disponibles en su distribuidor local o centro de mantenimiento autorizado. Si necesita ayuda con respecto a los accesorios, llame al: **1-800-544-6986**.

⚠ **ADVERTENCIA:** El uso de cualquier accesorio no recomendado con este producto puede ser peligroso.

INFORMACIÓN DE MANTENIMIENTO

Todos los Centros de servicio de Black & Decker cuentan con personal altamente capacitado dispuesto a brindar a todos los clientes un servicio eficiente y confiable en la reparación de herramientas eléctricas. Si necesita consejo técnico, reparaciones o piezas de repuesto originales de fábrica, póngase en contacto con el centro de servicio de Black & Decker más cercano a su domicilio. Para ubicar su centro de servicio local, consulte la sección "Herramientas eléctricas" (Tools-Electric) de las páginas amarillas, llame al **1-800-544-6986** o visite nuestro sitio www.blackanddecker.com.

⚠ **ADVERTENCIA:** El mantenimiento de la herramienta debe ser realizado únicamente por personal de reparaciones calificado.

⚠ **ADVERTENCIA:** Al realizar el mantenimiento de una herramienta, utilice únicamente piezas de repuesto idénticas.

GARANTÍA

Garantía completa de dos años para uso en el hogar

Black & Decker (Estados Unidos) Inc. ofrece una garantía de dos años por cualquier defecto del material o de fabricación de este producto. El producto defectuoso se reparará o reemplazará sin costo alguno de dos maneras.

La primera opción, el reemplazo, es devolver el producto al comercio donde se adquirió (siempre y cuando se trate de un comercio participante). Las devoluciones deben realizarse conforme a la política de devolución del comercio (generalmente, entre 30 y 90 días posteriores a la venta). Le pueden solicitar comprobante de compra. Consulte en el comercio acerca de la política especial sobre devoluciones una vez excedido el plazo establecido.

La segunda opción es llevar o enviar el producto (con flete pago) a un Centro de servicio propio o autorizado de Black & Decker para su reparación o reemplazo según nuestro criterio. Le pueden solicitar el comprobante de compra. Los Centros de servicio autorizados y de propiedad de Black & Decker se detallan en la sección "Herramientas eléctricas" (Tools-Electric) de las páginas amarillas de la guía telefónica.

Esta garantía no se extiende a los accesorios. Esta garantía le concede derechos legales específicos; usted puede tener otros derechos que pueden variar según el estado o la provincia. Si tiene alguna pregunta, comuníquese con el gerente del Centro de servicio de Black & Decker de su zona. Este producto no está diseñado para uso comercial.

AMÉRICA LATINA: esta garantía no se aplica a los productos que se venden en América Latina. Para los productos que se venden en América Latina, debe consultar la información de la garantía específica del país que viene en el empaque, llamar a la compañía local o visitar el sitio Web a fin de obtener esa información.

DETECCIÓN DE PROBLEMAS

<u>Problema</u>	<u>Causa posible</u>	<u>Solución posible</u>
<ul style="list-style-type: none"> • El material escurre o gotea. 	<ul style="list-style-type: none"> • Se está pulverizando demasiado material. • Se está pulverizando demasiado lento. • Se está pulverizando demasiado cerca. • Viscosidad demasiado diluida. 	<ul style="list-style-type: none"> • Reduzca el flujo de aire girando la perilla de ajuste del material. • Aumente la velocidad de aplicación. • Aumente la distancia desde la superficie. • Verifique la recomendación de dilución.
<ul style="list-style-type: none"> • Demasiada sobrepulverización. 	<ul style="list-style-type: none"> • El pulverizador está demasiado lejos de la superficie. • Se está pulverizando demasiado material. 	<ul style="list-style-type: none"> • Reduzca la distancia a la superficie. • Reduzca el flujo de aire girando la perilla de ajuste del material.
<ul style="list-style-type: none"> • Se expulsa poco o nada del material. 	<ul style="list-style-type: none"> • Bola de válvula de control obstruida. • Boquilla/Punta de pulverización obstruida. • Tubo de recogida suelto u obstruido. • Regulación demasiado baja de la perilla de ajuste del material. • Entrada de aire bloqueada. • Material demasiado espeso. 	<ul style="list-style-type: none"> • Quite la válvula de control. Oprima la bola para soltarla. Agregue lubricante. Consulte la Figura Q. • Limpie las boquillas. • Revise el tubo. • Aumentar regulación. • Limpie o cambie el filtro de aire. • Verifique la recomendación de viscosidad.
<ul style="list-style-type: none"> • Material pulverizado está salpicando. 	<ul style="list-style-type: none"> • Viscosidad del material está muy alta. 	<ul style="list-style-type: none"> • Diluya el material según la recomendación del fabricante.
<ul style="list-style-type: none"> • El pulverizador vibra. 	<ul style="list-style-type: none"> • Filtro de aire obstruido. • Material en el depósito casi agotado. 	<ul style="list-style-type: none"> • Limpie o cambie el filtro. • Rellene el depósito.
<ul style="list-style-type: none"> • El líquido se sale del depósito. 	<ul style="list-style-type: none"> • La tapa no está pareja o suficientemente ajustada. • Hay pintura en las roscas del depósito y del tapón. 	<ul style="list-style-type: none"> • Quite la tapa y vuelva a colocarla en forma pareja y uniforme, luego ajuste firmemente el tapón. • Limpie las roscas en la parte superior y los lados del depósito y el tapón.

Solamente para Propósitos de México

Para conocer la ubicación del centro de servicio más cercano a fin de recibir ayuda con su producto, visite nuestro sitio Web www.blackanddecker.com.mx o llame a la línea de ayuda BLACK & DECKER al **01 800 847 2309/01 800 847 2312**

SOLAMENTE PARA PROPOSITOS DE MEXICO

Grupo Realsa en herramientas, S.A. de C.V.

Súper Manzana 69 MZ.01 Lote 30
(Av. Torcasita)
Col. Puerto Juárez
Cancún, Quintana Roo
Tel. 01 998 884 72 27

Ferre Pat de Puebla, S.A. de C.V.

16 de Septiembre No. 6149
Col. El Cerrito
Puebla, Puebla
Tel. 01 222 264 12 12

Ferre Pat de Puebla, S.A. de C.V.

Ejército Mexicano No. 15
Col. Ejido 1ro. de Mayo
Boca del Río, Veracruz
Tel. 01 229 167 89 89

Servicio de Fabrica Black & Decker, S.A. de C.V.

Lázaro Cardenas No. 18
Col. Obrera
Distrito Federal
Tel. 55 88 95 02

Representaciones Industriales Robles, S.A. de C.V.

Tezozomoc No. 89
Col. La Preciosa
Distrito Federal
Tel. 55 61 86 82

Gpo. Comercial de Htas. y Refacciones de Occidente, S.A. de C.V.

Av. La Paz No. 1779
Col. Americana, S. Juárez
Guadalajara, Jalisco
Tel. 01 33 38 25 69 78

Herramientas y Equipos Profesionales

Av. Colón 2915 Ote.
Col. Francisco I. Madero
Monterrey, Nvo. León
Tel. 01 81 83 54 60 06

Htas. Portátiles de Chihuahua, S.A. de C.V.

Av. Universidad No. 2903
Col. Fracc. Universidad
Chihuahua, Chihuahua
Tel. 01 614 413 64 04

Fernando González Armenta

Bolivia No. 605
Col. Felipe Carrillo Puerto
Cd. Madero, Tampico
Tel. 01 833 221 34 50

Perfiles y Herramientas de Morelia

Gertrudis Bocanegra No. 898
Col. Ventura Puente
Morelia, Michoacán
Tel. 01 443 313 85 50

Enrique Robles

Av. de la Solidaridad No. 12713
Col. La Pradera
Irapuato, Guanajuato
Tel. 01 462 626 67 39

Hernández Martínez Jeanette

Prolongación Corregidora Nte.
No. 1104
Col. Arboledas
Querétaro, Qro.
Tel. 01 442 245 25 80

PARA OTRAS LOCALIDADES LLAME AL 01 800 847 2309 o 01 800 847 2312.

**· GARANTÍA BLACK & DECKER · BLACK & DECKER WARRANTY
· SOLAMENTE PARA PROPOSITOS DE MEXICO**

Distributor Name · **Sello firma del distribuidor**

Date of purchase · **Fecha de compra**

Invoice No. · No. de factura

PRODUCT INFORMATION · IDENTIFICACIÓN DEL PRODUCTO

Cat. No. · **Catalogo ó Modelo**

Serial Number · No. de serie

Name · **Nombre**

Last Name · Apellido

Address · **Dirección**

City · **Ciudad**

State · Estado

Postal Code · **Código Postal**

Country · País

Telephone · **No. Teléfono**

2 AÑOS DE GARANTIA

Este producto cuenta con dos años de garantía a partir de la fecha de compra contra cualquier defecto de su funcionamiento, así como cualquier falla debido a materiales empleados para su fabricación ó mano de obra defectuosa.

Nuestra garantía incluye la reparación o reposición del producto y/o componentes sin cargo alguno para el cliente incluyendo la mano de obra, esta incluye los gastos de trasportación erogados para lograr cumplimiento de esta garantía en los domicilios diversos señalados.

Para hacer efectiva esta garantía deberá presentar su herramienta y esta póliza sellada por el establecimiento comercial donde se adquirió el producto.

Nos comprometemos a entregar el producto en un lapso no mayor a 30 días hábiles contados a partir de la fecha de recepción del mismo en nuestros talleres de servicio autorizados.

ESTA GARANTIA NO APLICA CUANDO:

El producto se hubiese utilizado en condiciones distintas a las normales.

El producto no hubiese sido operado de acuerdo con el instructivo de uso que se acompaña.

El producto hubiese sido alterado o reparado por personas no autorizadas por nosotros.

Importador: Black & Decker S.A. de .C.V

Bosque de Cidros Acceso Radiatas No.42

3ra.Seccion de Bosques de las lomas

C.P.05120, Mexico, D.F. Tel: (01 55) 5326 7100

**Vea "Herramientas
eléctricas (Tools-Electric)"
- Páginas amarillas -
para Servicio y ventas**



**BLACK & DECKER S.A. DE C.V.
BOSQUES DE CIDROS ACCESO RADIATAS NO. 42
COL. BOSQUES DE LAS LOMAS.
05120 MÉXICO, D.F
TEL. (01 55) 5326 7100
01 800 847 2309/01 800 847 2312**

Free Manuals Download Website

<http://myh66.com>

<http://usermanuals.us>

<http://www.somanuals.com>

<http://www.4manuals.cc>

<http://www.manual-lib.com>

<http://www.404manual.com>

<http://www.luxmanual.com>

<http://aubethermostatmanual.com>

Golf course search by state

<http://golfingnear.com>

Email search by domain

<http://emailbydomain.com>

Auto manuals search

<http://auto.somanuals.com>

TV manuals search

<http://tv.somanuals.com>