

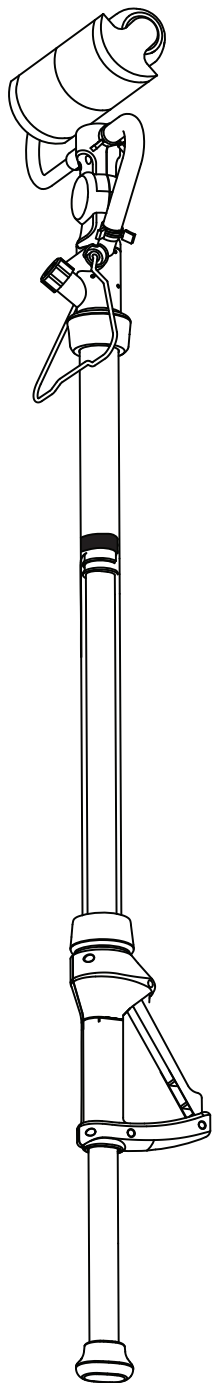


# BLACK & DECKER®

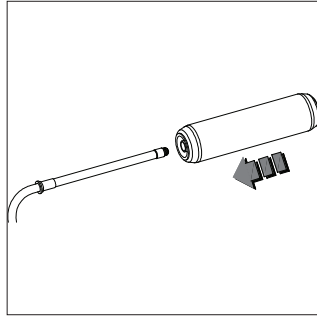
## INSTRUCTION MANUAL

**RAPIDROLLER™**

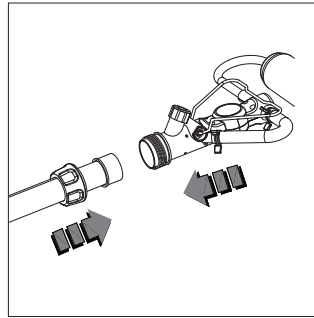
Catalog Number BDPR400



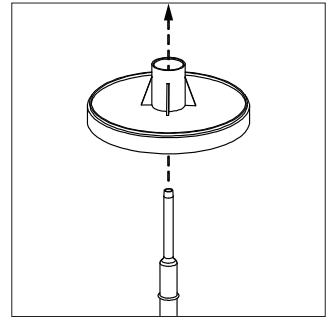
### QUICK START GUIDE



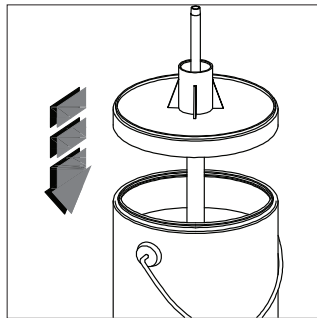
Push roller assembly over roller frame until it snaps into place.



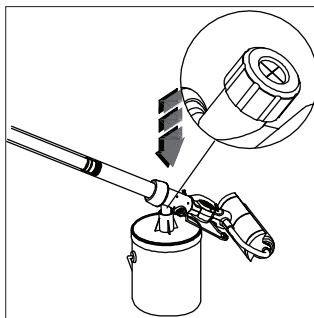
Thread handle collar on roller frame.



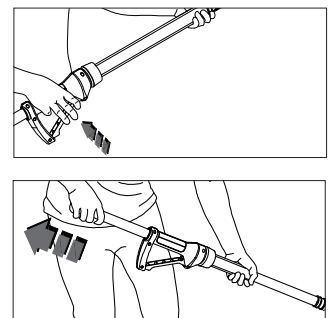
Insert fill tube into paint can cover.



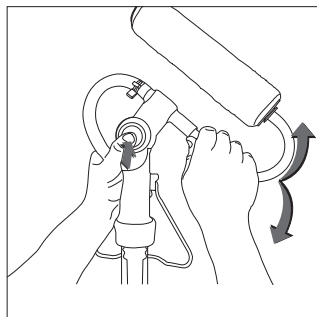
Snap paint can cover onto paint can. (See "Filling RAPIDROLLER" section if cover does not fit.)



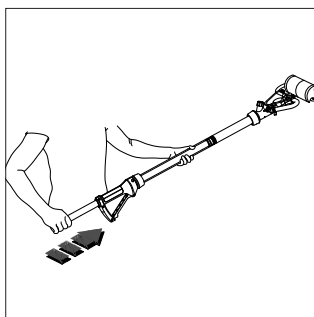
Push fill valve down over fill tube until orange cap is completely covered.



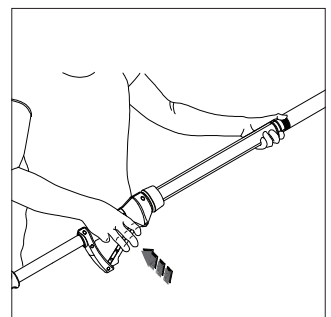
Squeeze trigger to free up the plunger. Pull back plunger to draw paint. (May take some force).



Adjust roller head to desired angle.



Begin rolling on wall and push plunger to fill head and roller with paint.



Squeeze trigger for additional paint.

**Thank you for choosing Black & Decker! Go to [www.BlackandDecker.com/NewOwner](http://www.BlackandDecker.com/NewOwner) to register your new product.**

If you have a question or experience a problem with your Black & Decker purchase, go to [HTTP://WWW.BLACKANDECKER.COM/INSTANTANSWERS](http://www.blackanddecker.com/instantanswers) for instant answers 24 hours a day. If you can't find the answer or do not have access to the internet, call 1-800-544-6986 from 8 a.m. to 5 p.m. EST Mon. -- Fri. to speak with an agent. Please have the catalog number available when you call.

**See inside this instruction manual for complete instructions.  
Lire le mode d'emploi pour connaître les directives en entier.  
Consulte el interior de este manual de instrucciones para ver las instrucciones completas.**

**⚠ WARNING:** To reduce the risk of injury, user must read and understand the instruction manual before using the RAPIDROLLER™

**⚠ WARNING:** Some paints contain chemicals known to the State of California to cause cancer, birth defects or other reproductive harm. To reduce your exposure wear appropriate safety equipment such as face masks, gloves, and other appropriate protective equipment. Please review and follow the safety precautions on the paint container.

### SAFETY GUIDELINES - DEFINITIONS

It is important for you to read and understand this manual. The information it contains relates to protecting YOUR SAFETY and PREVENTING PROBLEMS. The symbols below are used to help you recognize this information.

**⚠ DANGER:** Indicates an imminently hazardous situation which, if not avoided, will result in death or serious injury.

**⚠ WARNING:** Indicates a potentially hazardous situation which, if not avoided, could result in death or serious injury.

**⚠ CAUTION:** Indicates a potentially hazardous situation which, if not avoided, may result in minor or moderate injury.

**NOTICE:** Used without the safety alert symbol indicates a potentially hazardous situation which, if not avoided, may result in property damage.

## IMPORTANT SAFETY INSTRUCTIONS

### WARNING:

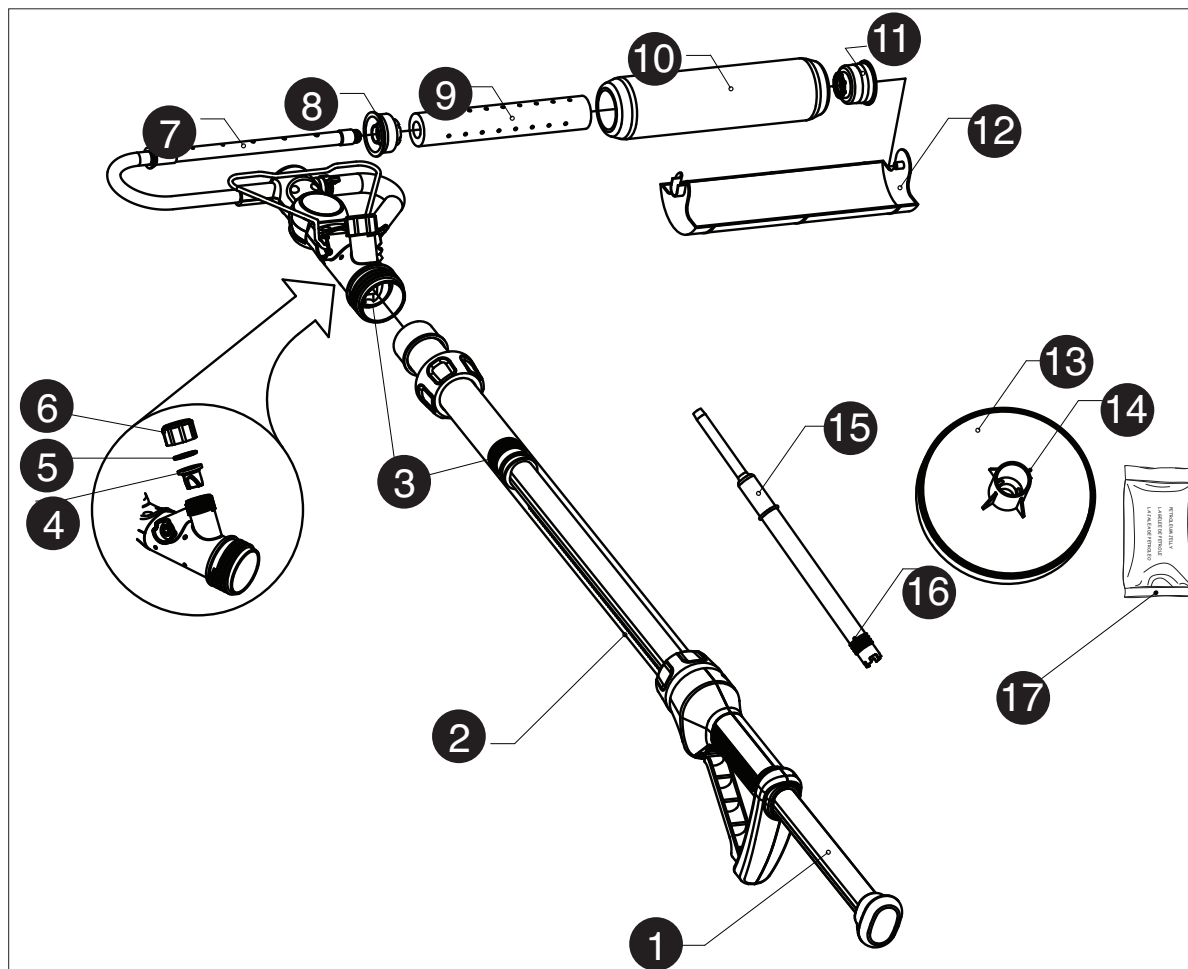
- Do not use RAPIDROLLER™ for purposes other than described in this manual. Failure to do so may result in injury to persons and or property damage.
- For use only with water soluble and most oil based paints and stains. Not for use with oil based paints and stains that require cleaning solutions stronger than mineral spirits (refer to label on original paint container). Do not use with paint removers, or the like. Liquids other than paint or stain may damage product and result in injury to persons or property damage.
- Read the label on the original paint container and follow all directions. Failure to do so may result in injury to persons or property damage.
- Use proper eye protection and other safety equipment for skin and respiratory protection when mixing the paint, and when filling, using, and cleaning the product. Paint and its fumes can cause personal injury.
- To reduce the risk of injury, use only in a well ventilated area.
- Thoroughly clean and rinse product after using with a particular paint. Mixing different paints in the product may result in property damage.
- To reduce the risk of injury, use only recommended accessories.
- When servicing, use only identical replacement parts. Failure to do so may result in personal injury.

### SAVE THESE INSTRUCTIONS

## COMPONENTS

### FUNCTIONAL DESCRIPTION

- 1.) Plunger
- 2.) Handle Assembly
- 3.) O-Rings
- 4.) Duck Bill Valve
- 5.) Wiper Seal
- 6.) Orange Fill Cap Cover
- 7.) Roller Frame
- 8.) Inner End Cap
- 9.) Roller Core
- 10.) 3/8 in. perforated roller
- 11.) Outer End Cap
- 12.) Spatter Shield
- 13.) Can Cover
- 14.) Shroud
- 15.) Fill Tube
- 16.) Hose Extension Ribbs
- 17.) Petroleum Jelly

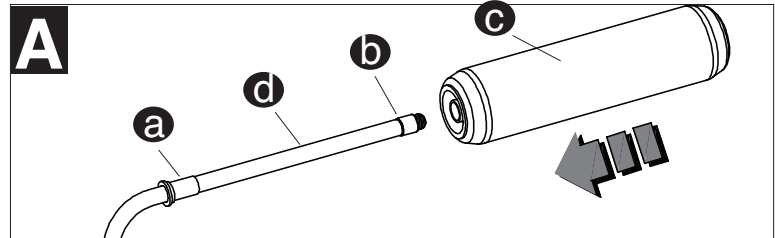


# Tips for painting with the RAPIDROLLER™

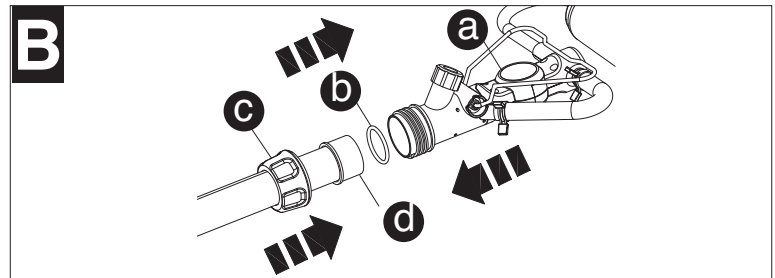
- **Only use a perforated roller cover. Standard roller covers will not work.**
- Inspect roller cover for lint before painting, if needed wash and dry before using.
- When using the RAPIDROLLER™ for the first application, it will take most of the paint in the RAPIDROLLER™ tube to saturate the roller cover. A second fill may be needed.
- Keep roller moving while pushing plunger in or squeezing trigger to prevent dripping.
- Stop pushing plunger in or squeezing trigger if the roller starts to skid, slide or drip.
- When painting in tight areas partially fill RAPIDROLLER™ or pivot the frame. This reduces its overall length.
- When leaving RAPIDROLLER™ unattended for a longer period of time, wrap roller in a plastic bag to prevent drying, removing as much air as possible from bag.
- Make sure the type of paint you use can be cleaned with either mineral spirits (for oil-based paints) or a warm water and soap solution (for water soluble paints like latex).
- Use drop cloths to protect your floors and anything else in the room that you do not want accidentally splattered with paint.
- When using kickstand, always pivot head to straight position and release pressure by pulling plunger out slightly.

## Preparing the RAPIDROLLER™ to paint

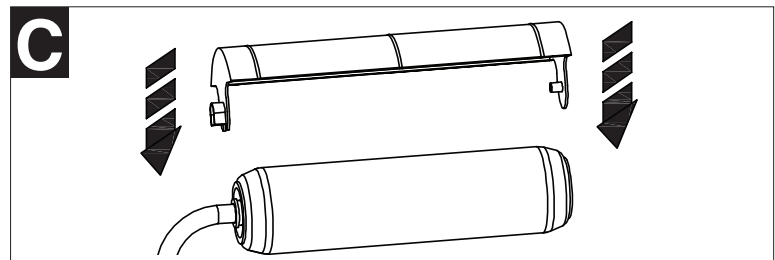
1.) Lubricate part (a) and (b) using petroleum jelly provided. Attach assembled roller (c) onto RAPIDROLLER™ frame (d). Make sure roller assembly snaps into locking clip on outer end cap.



2.) Push roller frame (a) over end of handle assembly (d) ensuring O-ring (b) is seated inside roller frame. Thread handle assembly collar (c) snugly onto threads of roller frame (a).

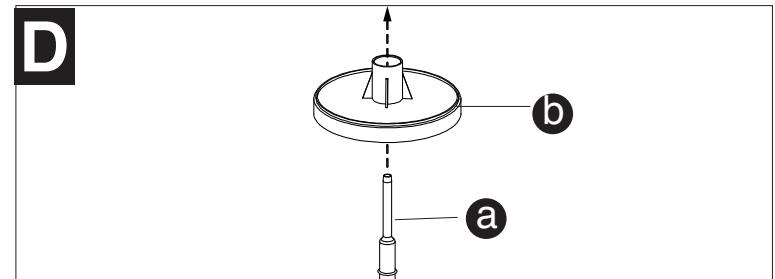


3.) The spatter shield helps reduce spatter when painting, especially on ceilings. Position the spatter shield by rotating around roller frame.  
**NOTE:** Spatter shield is also helpful to prevent dripping when RAPIDROLLER™ is resting on kickstand and is not in use. Just position spatter shield under roller.



## Filling the RAPIDROLLER™ with paint

1.) Insert the small end of the fill tube (a) through the hole in the bottom side of the paint can cover (b). Push in until tight and to the ridge of the fill tube.



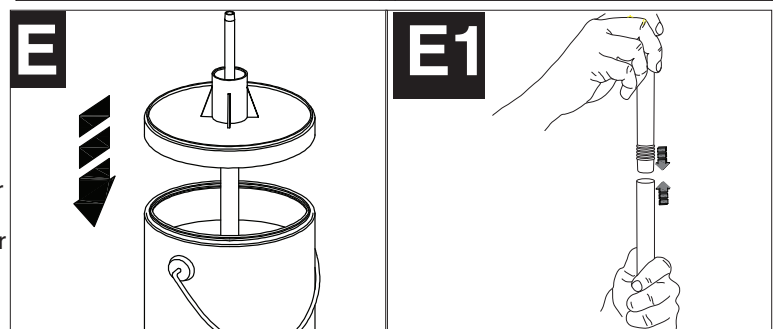
2.) Snap paint can cover onto paint can (fig. E). Lubricate top of fill tube stem with a small amount of petroleum jelly included in carton.

**NOTE:** The can cover will not fit on some paint containers. It can be stretched over larger cans or compressed slightly by squeezing to fit smaller cans.

To fill the RAPIDROLLER™ when the can cover does not fit your paint container, omit the can cover and place fill tube directly into container. Hold the fill tube with hand to stabilize as needed.

A fill tube can clip is available as an optional accessory for use with other size containers. See "Accessories".

For deeper containers like 5 gallon pails, fit a section of 3/4 inch I.D. (inner diameter) clear tubing over the ribs of the fill tube to extend it (fig. E1) and clip to side of pail with fill tube can clip. Cut bottom end of tubing at slight angle. Tubing is available at most hardware stores.

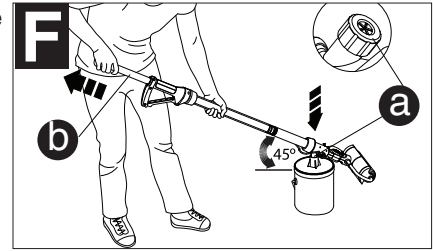


3.) Hold the RAPIDROLLER™ at a 45 degree angle and place the fill valve (a) over the fill tube. Gently push the RAPIDROLLER™ down until it bottoms on the fill tube. **MAKE SURE THE ORANGE FILL CAP COVER (a) IS COMPLETELY COVERED BY SHROUD OF CAN COVER.**

**NOTE:** Remove cardboard spacer, and squeeze trigger to free up the plunger.

Pull plunger (b) all the way back to draw paint into RAPIDROLLER™. (This may take some force.) Once tube is full you are ready to start painting. Lift RAPIDROLLER™ slowly off fill tube.

**NOTE:** If you do not receive a complete fill the first time, push plunger slowly to return paint to can and then pull back plunger making sure angle is correct and orange fill cap cover is fully seated.



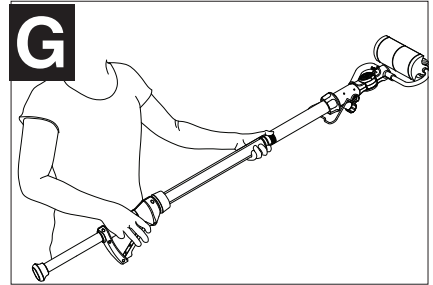
## Painting with the RAPIDROLLER™

1.) Begin rolling on wall and push plunger handle or squeeze trigger to feed paint into the roller cover.

**NOTE:** Initial saturation of the roller may require the full amount of paint from the first fill. Fill RAPIDROLLER™ as needed.

### HELPFUL HINTS

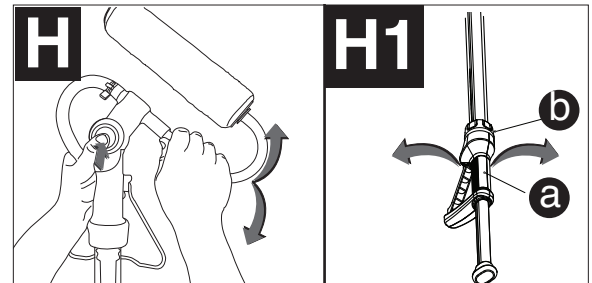
- The trigger only needs to be squeezed when paint is needed.
- If you are getting a dot pattern when painting, apply more paint.
- If the roller is sliding on the surface, apply less paint.
- You may notice petroleum jelly within the handle. This is necessary and will help in its operation and will not affect the paint.



2.) The roller head can be adjusted to three different angles. Press the orange button on the roller head to change the angle from straight to 40 or 80 degrees. Use straight on for general painting and 40 or 80 degree angles for hard to reach places or when painting close to ceiling or edging (fig. H).

**NOTE:** The handle (a) can be rotated to make it more comfortable when painting with an angled roller frame.

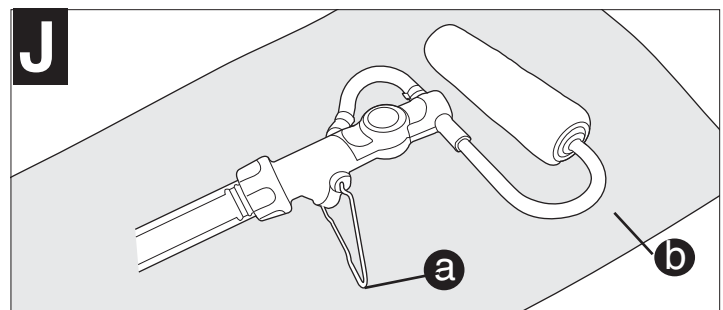
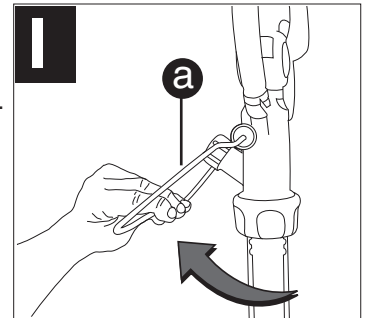
To rotate handle to desired position, loosen collar (b), adjust handle and retighten collar (fig H1).



3.) When not in use rest the RAPIDROLLER™ on the convenient kickstand (a).

- When using kickstand, RAPIDROLLER™ should always be on a drop cloth (b) or over newspaper in case of drips.
- When painting, kickstand should be pointed away from roller to avoid getting spatter on kickstand.
- Always rotate roller to the straight position before placing on kickstand.
- To prevent drips, relieve pressure on RAPIDROLLER™ by pulling plunger out slightly.

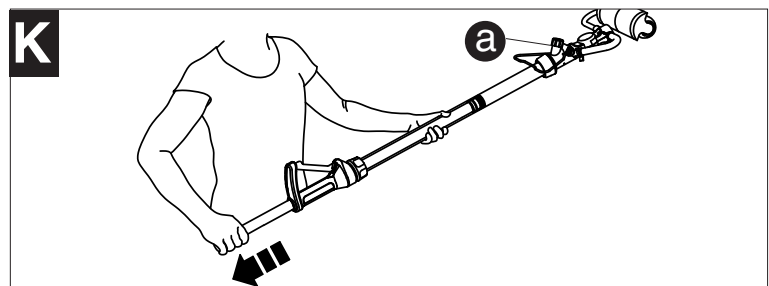
**NOTE:** Attaching the spatter guard when using the kickstand helps insure that any dripping paint is contained.



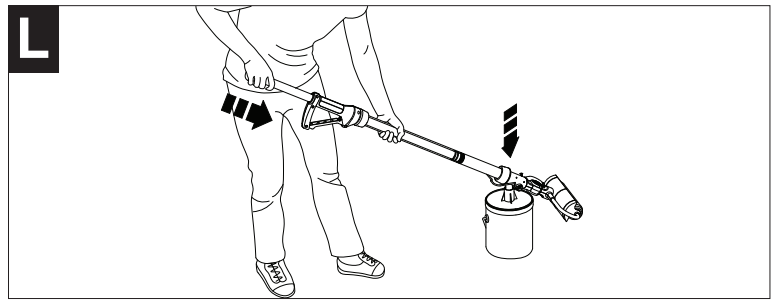
## Cleaning the RAPIDROLLER™

1.) Pull plunger back to draw excess paint from roller frame into tube.

**HINT:** Place thumb over orange fill cap cover (a) to help remove the most paint from the frame prior to pulling back plunger.

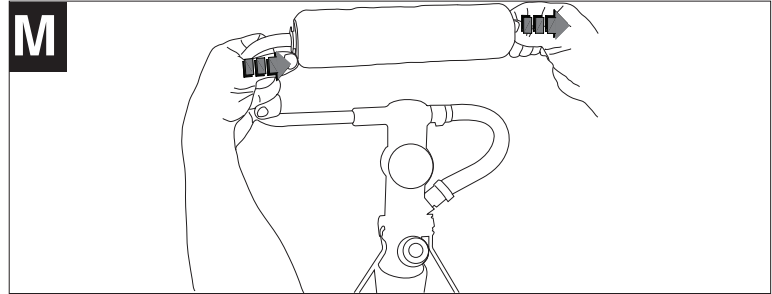


2.) Return paint from RAPIDROLLER™ to can by holding RAPIDROLLER™ at a 45 degree angle and pushing fill valve onto fill tube until it bottoms on fill tube. Make sure orange fill valve is completely covered by shroud of can lid. Push plunger in until it stops.



3.) Scrape excess paint into can from roller.

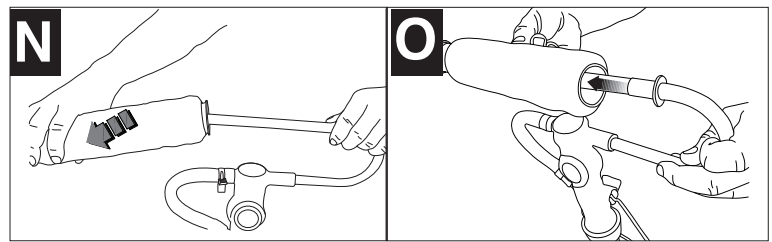
Remove the roller by grasping the outer end cap and the roller frame and using your thumb on the opposite hand to push the roller off as shown.  
**HINT:** Wear disposable gloves or use a plastic bag over roller to keep your hands clean.



4.) Remove the inner end cap by inserting the metal tube of the roller frame into the cap about 1 inch and at an angle. Pull the roller frame gently towards you (**fig. N**).

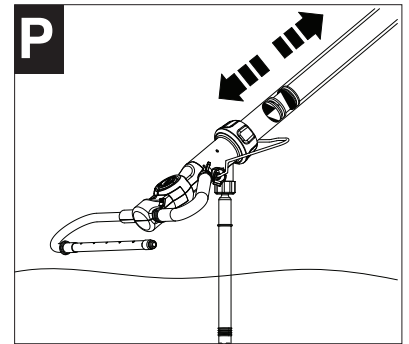
Remove the roller core. Empty any remaining paint.

Remove the outer cap by inserting the roller frame into the roller and gently pushing the cap off (**fig. O**).

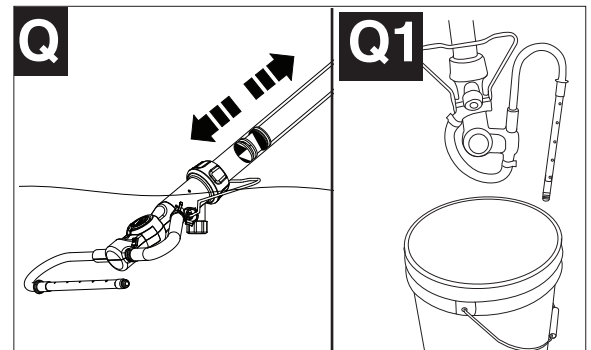


## Cleaning the RAPIDROLLER™

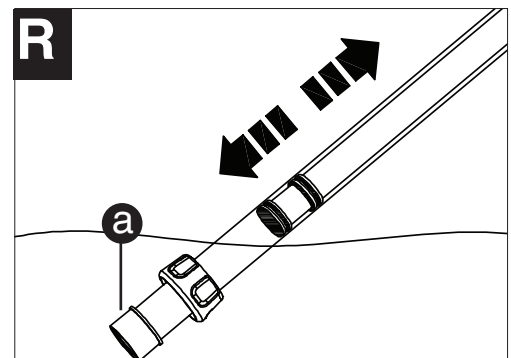
1.) Remove the fill tube from the paint can lid and push it directly into the fill valve. When cleaning water soluble paints, submerge the fill tube into warm, soapy water and pull the plunger in and out 5 or more times. When using oil based paints, instead of water, use proper cleaning solvent listed on manufacturers container and dispose of properly.  
**HINT:** Use a sink, a wash tub, or any container that will hold water to perform above flushing process. Replace water when dirty or when moving to the next step.



2.) Remove the fill tube. Then submerge the roller frame, and ensuring the fill valve is also under water, pull the plunger in and out 5 or more times (**fig. Q**).  
**HINT:** When using a small container, pivot the roller frame to the 80 degree position to fit inside container (**fig. Q1**).



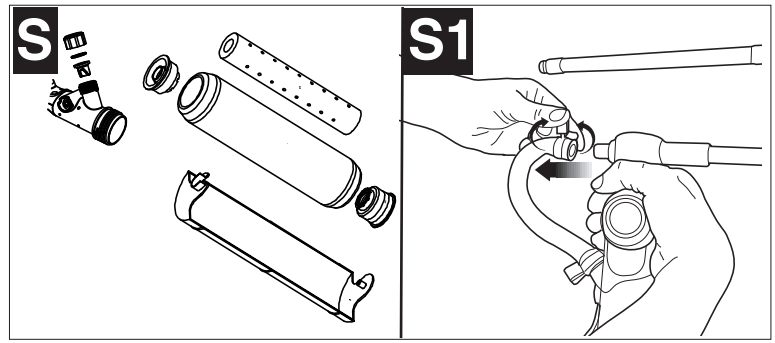
3.) Remove roller frame and continue cleaning as needed. Submerge the handle in the warm, soapy water and pull the plunger in and out 5 or more times.  
**HINT:** Wipe off remaining paint from the end of plunger (a).



4.) Unthread valve cap and remove wiper seal and duck bill valve to clean. Rinse all remaining parts and drain all fluid from the RAPIDROLLER™.

5.) Remove tubing from frame (if needed) by pinching hose clamps. Flush frame and tubing. Replace tubing and secure with hose clamps.

6.) Always purchase a perforated roller cover. A standard roller will not work.

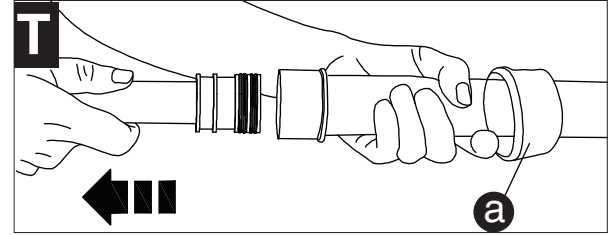


## Lubricating the RAPIDROLLER™

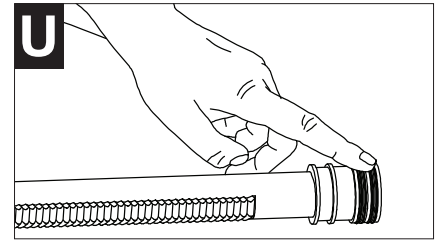
Lubrication helps with normal operation and should be done after cleaning and before each use.

1.) Turn the threaded assembly collar (a) near the trigger counterclockwise until the main tube assembly slides off.

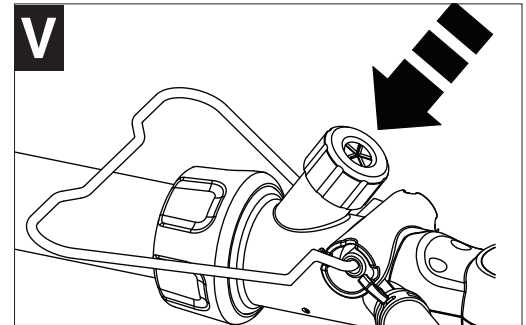
**NOTE:** When reassembling, black threaded collar (a) should be towards trigger handle.



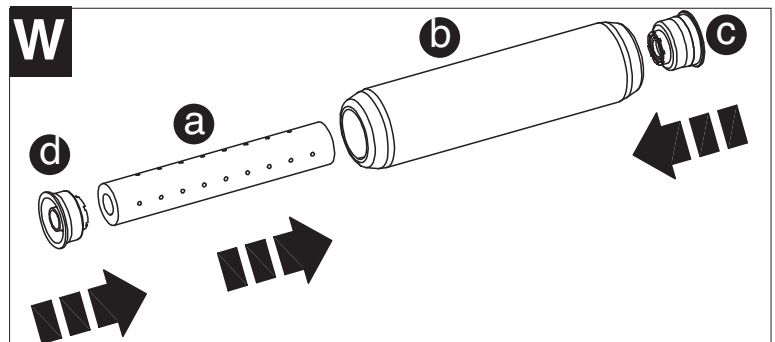
2.) Apply petroleum jelly around and in between the rubber seals shown. Reassemble making sure the rubber seals are not twisted or damaged. Tighten the locking collar.



3.) Apply petroleum jelly to the duck bill valve and wiper seal and replace within unit threading the valve cap back into place.



4.) Apply petroleum jelly to the inner seals on the end caps (c & d) then assemble the roller by placing the core (a) inside of roller cover (b) and attaching end caps and as shown.

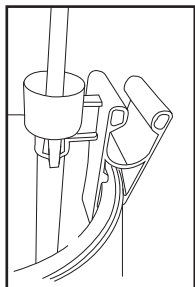




# Accessories

Recommended accessories for use with your RAPIDROLLER™ are available from your local dealer or authorized service center. If you need assistance regarding accessories, please call: **1-800-544-6986**

**⚠ WARNING:** The use of any accessory not recommended for use with this tool could be hazardous.



Fill tube can clip - for use with containers which do not fit the round can cover provided. Available through a Black & Decker Service Center.

When using larger containers such as a five gallon bucket, use the fill tube can clip with a length of 3/4 inch I.D. tubing available at most large home centers. The tubing fits over the ribbed end of the fill tube.

Perforated roller sleeves are available at hardware stores.

## Troubleshooting

### PROBLEM

Takes a long time for paint to appear on surface.

Air is drawn into handle instead of paint.

Difficult to insert or remove fill tube from valve.

Handle is difficult to move in and out.

Paint leaks out end cap.

Paint leaks out of fill valve.

### SOLUTION

See first note on "Painting with the RAPIDROLLER™". May take a second fill.

Slowly push handle in to expel air. Remove and reinsert product on fill tube. Be sure fill tube is **fully** seated in valve body. If necessary, apply petroleum jelly to fill tube which makes it easier to seat fill tube and valve body.

Make sure O-ring is in place between handle assembly and roller frame and well lubricated.

Put petroleum jelly in fill port opening and or fill tube.

Lubricate rubber seals at end of plunger, or twist plunger slightly to break seal.

Make sure both end caps are pushed snugly into and are even with the end of roller cover. If they are OK, remove end caps, clean out any old paint and relubricate with petroleum jelly.

Lubricate valve with petroleum jelly.

Make sure wiper seal is in place.

For assistance with your product, visit our website [www.blackanddecker.com](http://www.blackanddecker.com) for the location of the service center nearest you or call the BLACK & DECKER help line at 1-800-544-6986.

### Service Information

All Black & Decker Service Centers are staffed with trained personnel to provide customers with efficient and reliable power tool service. Whether you need technical advice, repair, or genuine factory replacement parts, contact the Black & Decker location nearest you. To find your local service location, refer to the yellow page directory under "Tools—Electric" or call: **1-800-544-6986** or visit [www.blackanddecker.com](http://www.blackanddecker.com)

### Warranty

#### Full Two-Year Home Use Warranty

Black & Decker (U.S.) Inc. warrants this product for two years against any defects in material or workmanship. The defective product will be replaced or repaired at no charge in either of two ways.

The first, which will result in exchanges only, is to return the product to the retailer from whom it was purchased (provided that the store is a participating retailer). Returns should be made within the time period of the retailer's policy for exchanges (usually 30 to 90 days after the sale). Proof of purchase may be required. Please check with the retailer for their specific return policy regarding returns that are beyond the time set for exchanges.

The second option is to take or send the product (prepaid) to a Black & Decker owned or authorized Service Center for repair or replacement at our option. Proof of purchase may be required. Black & Decker owned and authorized Service Centers are listed under "Tools-Electric" in the yellow pages of the phone directory.

This warranty does not apply to accessories. This warranty gives you specific legal rights and you may have other rights which vary from state to state or province to province. Should you have any questions, contact the manager of your nearest Black & Decker Service Center. This product is not intended for commercial use.

**LATIN AMERICA:** This warranty does not apply to products sold in Latin America. For products sold in Latin America, check country specific warranty information contained in the packaging, call the local company or see the website for warranty information.

**FREE WARNING LABEL REPLACEMENT:** If your warning labels become illegible or are missing, call **1-800-544-6986** for a free replacement.

Imported by  
Black & Decker (U.S.) Inc.,  
701 E. Joppa Rd.  
Towson, MD 21286 U.S.A.



See 'Tools-Electric'  
– Yellow Pages –  
for Service & Sales



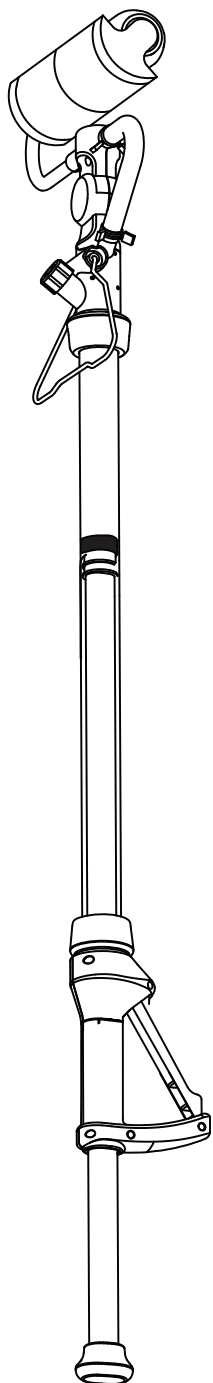


# BLACK & DECKER®

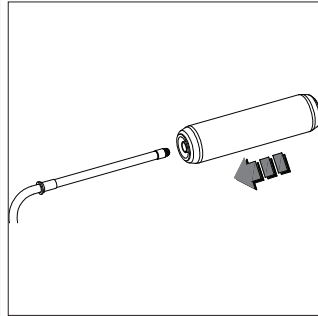
## GUIDE D'UTILISATION

**RAPIDROLLER™**

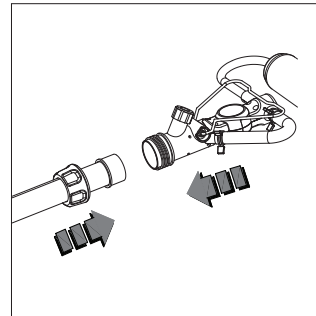
Numéro de catalogue  
**BDPR400**



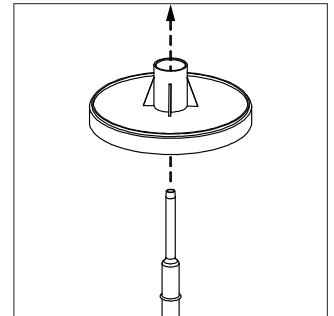
### GUIDE DE DÉMARRAGE RAPIDE



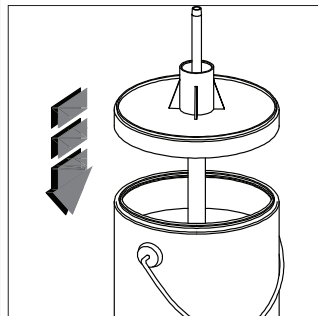
Pousser l'ensemble rouleau sur le bâti du rouleau de manière à l'enclencher en place.



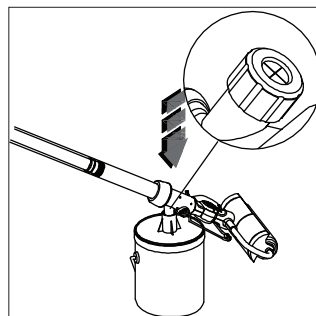
Visser la bague de la poignée sur le bâti du rouleau.



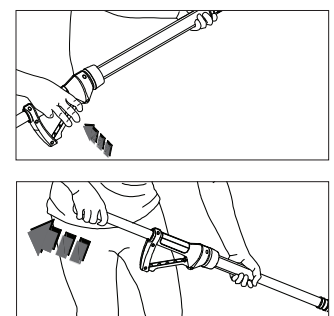
Insérer le tube de remplissage dans le couvercle du contenant de peinture.



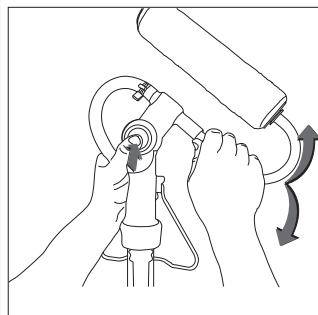
Fermer solidement le couvercle sur le contenant de peinture. (Se reporter à la section « Remplir le RAPIDROLLER » si le couvercle n'est pas compatible.)



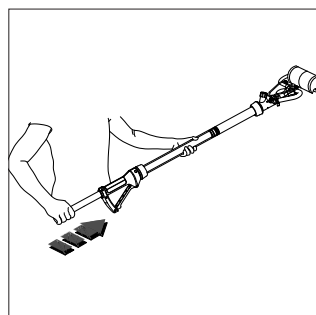
Enfoncer le robinet de remplissage sur le tube de remplissage de manière à couvrir complètement le capuchon orange.



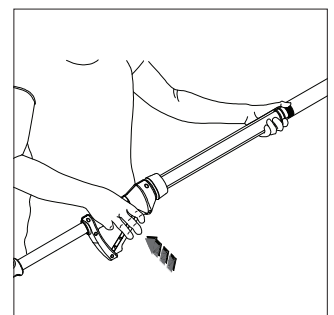
Presser la détente pour dégager le piston. Tirer sur le piston pour aspirer la peinture. (Une certaine force peut être requise.)



Régler la tête du rouleau à l'angle souhaité.



Appliquer le rouleau sur le mur et enfoncer le piston pour remplir de peinture la tête du rouleau et le rouleau.



Presser la détente pour ajouter de la peinture.

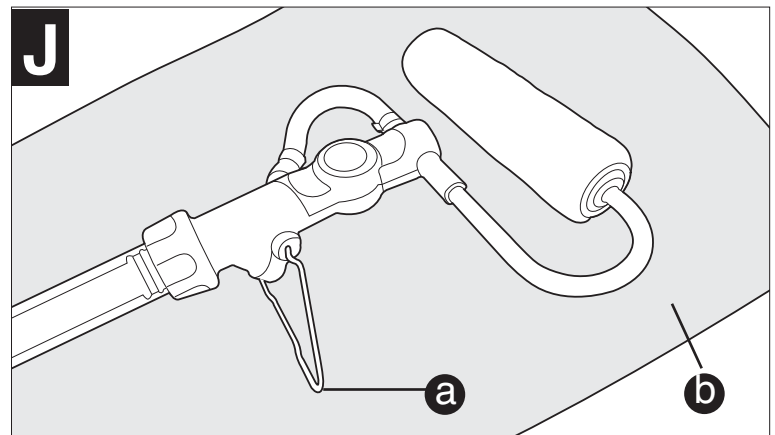
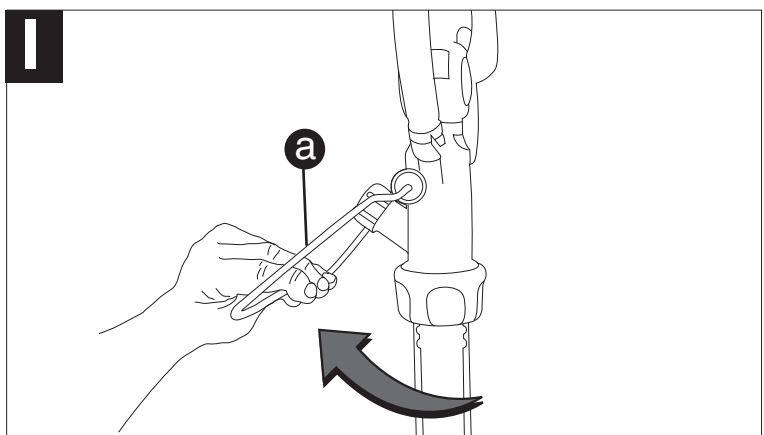
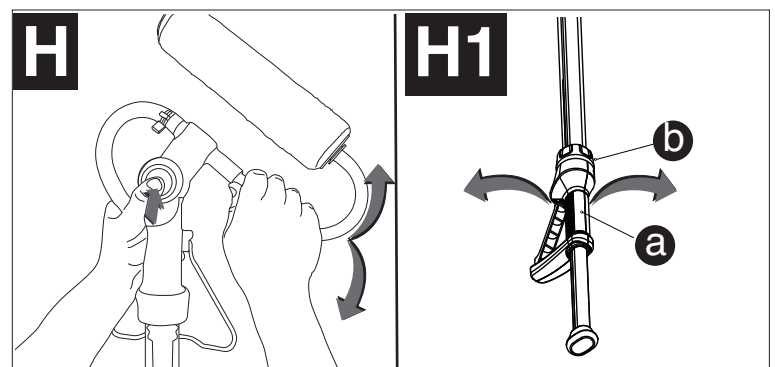
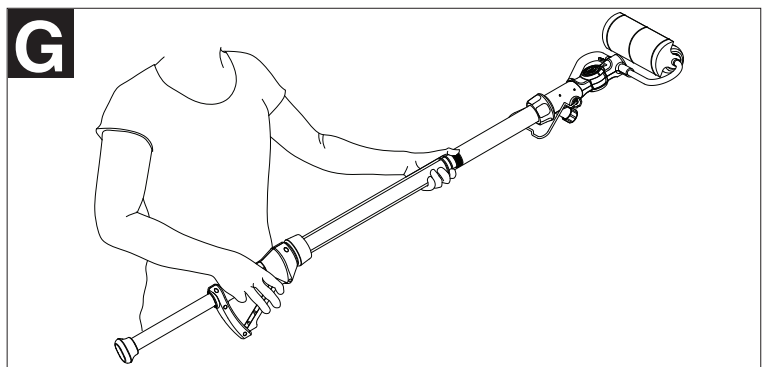
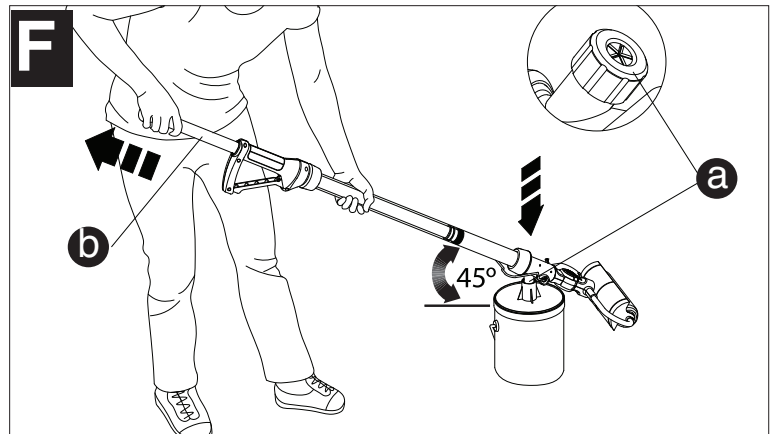
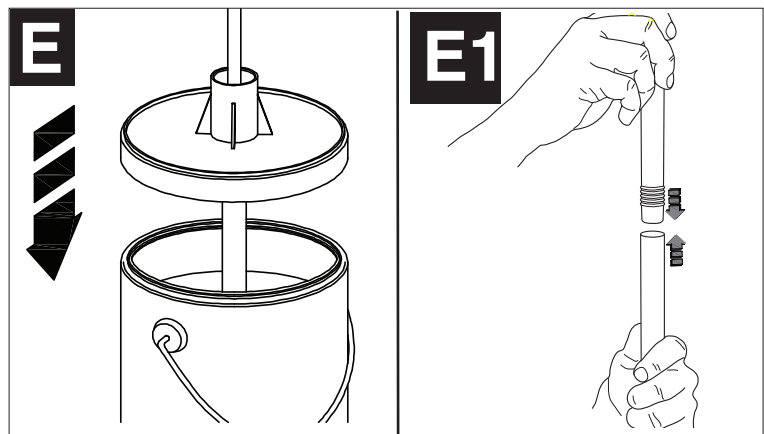
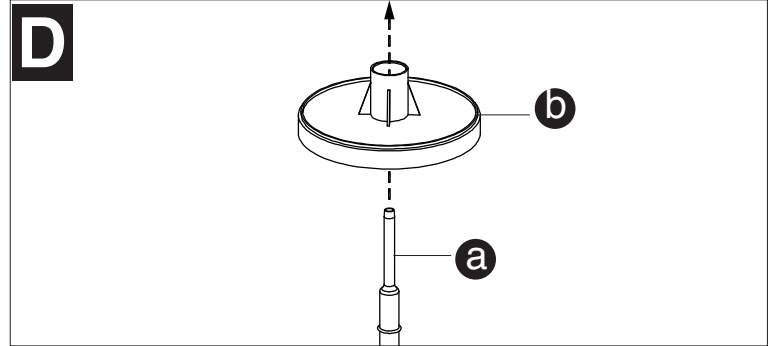
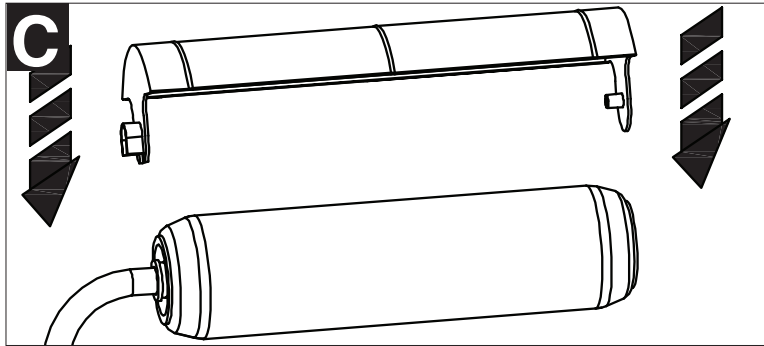
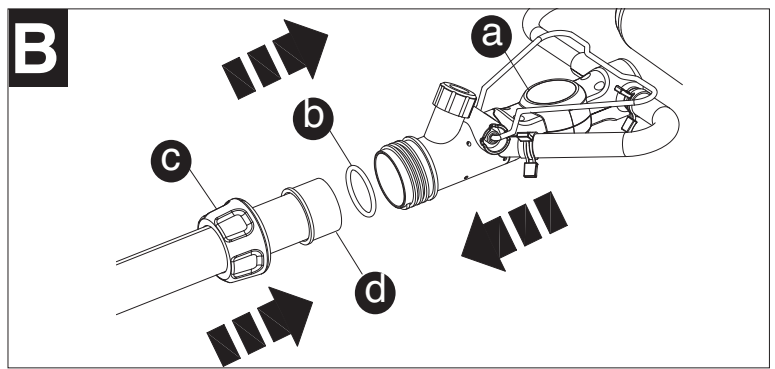
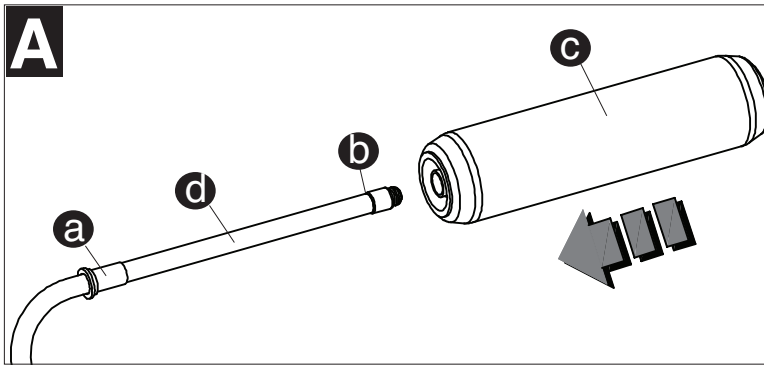
**Merci d'avoir choisi Black & Decker!**  
**Consulter le site Web [www.BlackandDecker.com/NewOwner](http://www.BlackandDecker.com/NewOwner) pour enregistrer votre nouveau produit.**

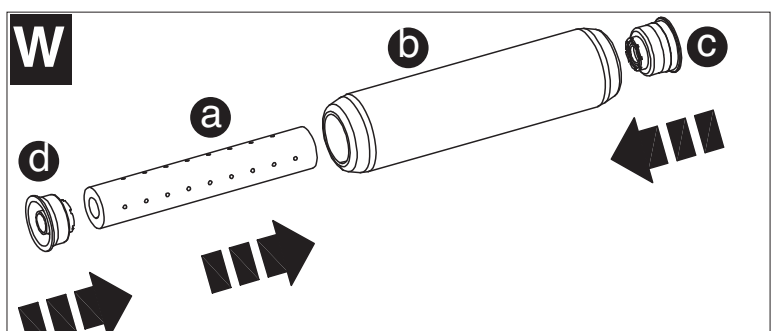
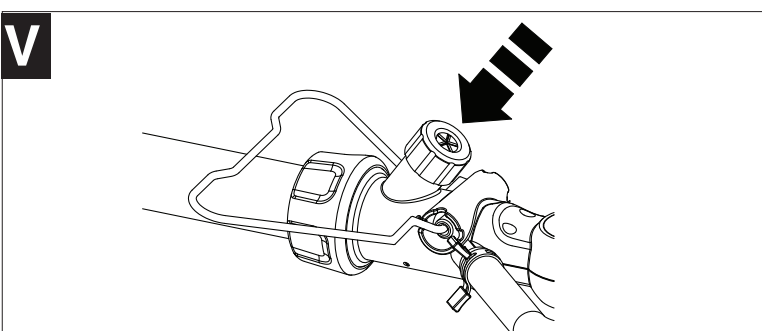
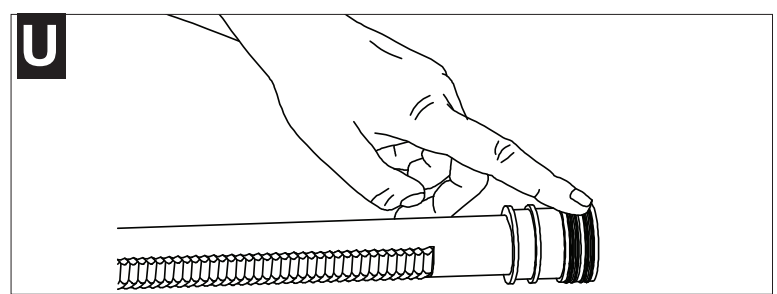
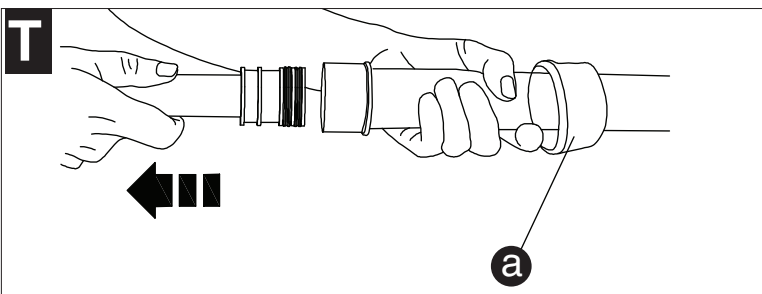
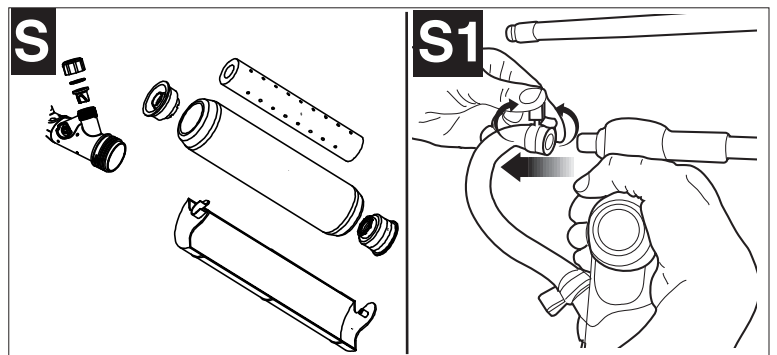
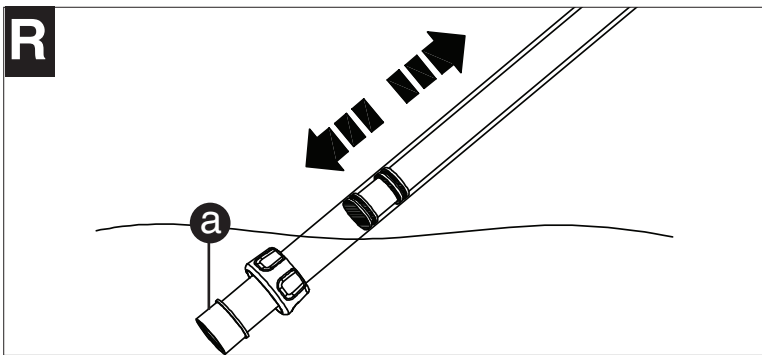
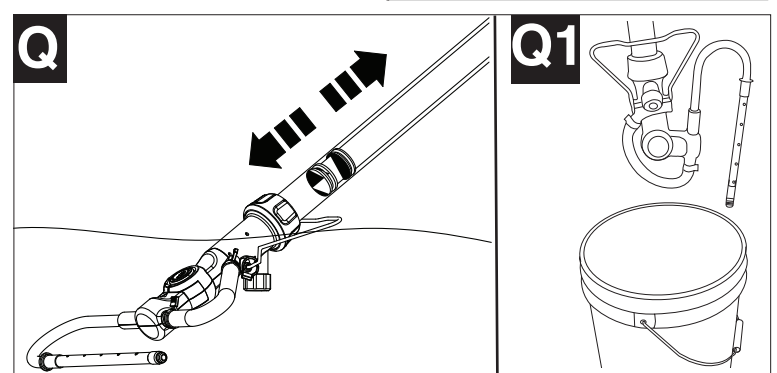
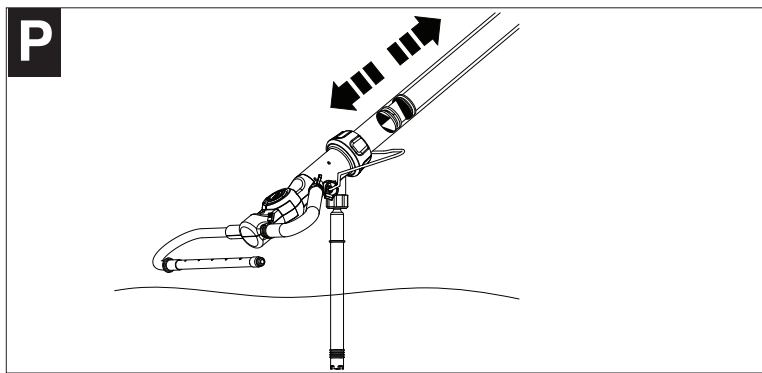
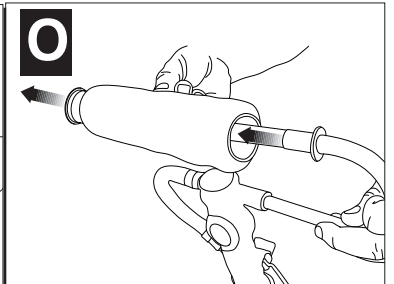
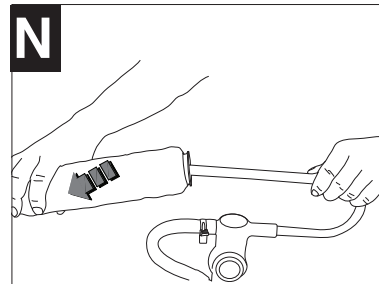
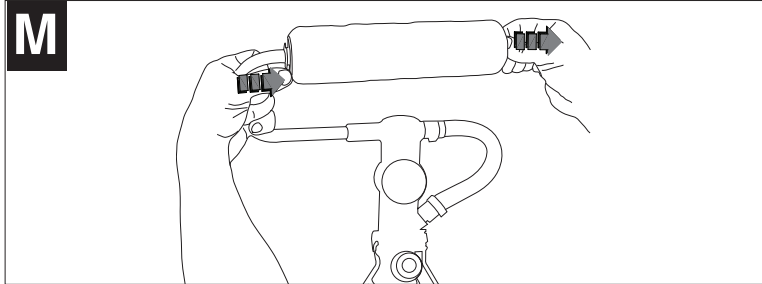
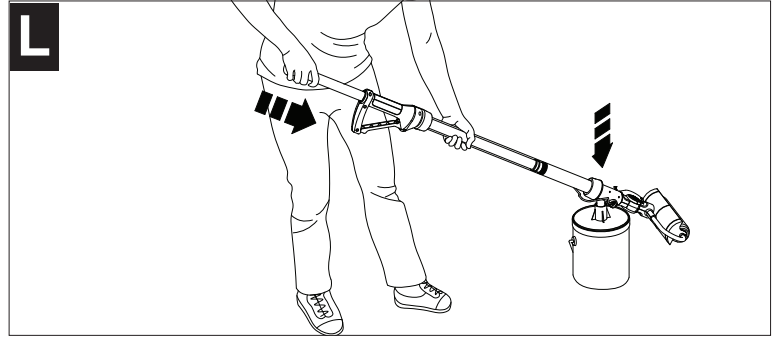
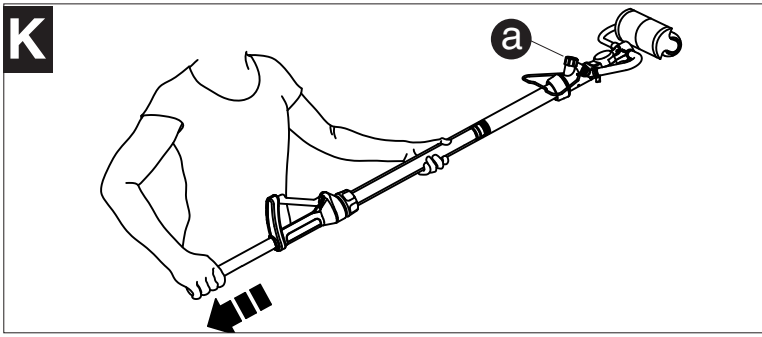
Si des questions ou des problèmes surgissent après l'achat d'un produit Black & Decker, consulter le site Web [HTTP://WWW.BLACKANDDECKER.COM/INSTANTANSWERS](http://www.BLACKANDDECKER.COM/INSTANTANSWERS) pour obtenir des réponses instantanément 24 heures par jour. Si la réponse est introuvable ou en l'absence d'accès à l'Internet, composer le 1 800 544-6986 de 8 h à 17 h HNE, du lundi au vendredi, pour parler avec un agent.

Prière d'avoir le numéro de catalogue sous la main lors de l'appel.

**Lire le mode d'emploi pour connaître les directives en entier.**







⚠ **AVERTISSEMENT** : Pour réduire le risque de blessures, l'utilisateur doit lire et comprendre le mode d'emploi avant d'utiliser le RAPIDROLLER™.

⚠ **AVERTISSEMENT** : Certaines peintures renferment des produits chimiques reconnus par l'État de la Californie pour causer le cancer, des anomalies congénitales ou d'autres dangers pour la reproduction. Passer en revue et suivre les mesures de sécurité figurant sur le contenant de peinture.

### LIGNES DIRECTRICES EN MATIÈRE DE SÉCURITÉ - DÉFINITIONS

Il est important que vous lisiez et compreniez ce mode d'emploi. Les informations qu'il contient concernent VOTRE SÉCURITÉ et visent à ÉVITER TOUT PROBLÈME. Les symboles ci-dessous servent à vous aider à reconnaître cette information.

⚠ **DANGER** : Indique une situation dangereuse imminente qui, si elle n'est pas évitée, causera la mort ou des graves blessures.

⚠ **AVERTISSEMENT** : Indique une situation potentiellement dangereuse qui, si elle n'est pas évitée, pourrait causer la mort ou de graves blessures.

⚠ **MISE EN GARDE** : Indique une situation potentiellement dangereuse qui, si elle n'est pas évitée, pourrait causer des blessures mineures ou modérées.

**AVIS** : Utilisé sans le symbole d'alerte à la sécurité, indique une situation potentiellement dangereuse qui, si elle n'est pas évitée, peut résulter en des dommages à la propriété.

## DIRECTIVES DE SÉCURITÉ IMPORTANTES

### AVERTISSEMENT :

- Ne pas utiliser RAPIDROLLER™ à d'autres fins que celles décrites dans le présent manuel. Négliger de le faire peut entraîner des blessures à des personnes ou des dommages matériels.
- À utiliser uniquement avec la plupart des peintures et des teintures solubles à l'eau et à l'huile. Ne convient pas aux peintures et aux teintures à l'huile qui requièrent une solution de nettoyage plus forte que l'essence minérale (consulter l'étiquette figurant sur le contenant de peinture initial). Ne pas utiliser avec des décapants ou autres produits semblables. Les liquides autres que la peinture ou la teinture peuvent endommager le produit et causer des blessures à des personnes ou des dommages matériels.
- Lire l'étiquette figurant sur le contenant de peinture d'origine et suivre toutes les directives. Négliger de le faire risque de causer des blessures à des personnes ou d'endommager des biens matériels.
- Utiliser une protection oculaire adéquate et tout autre équipement de sécurité pour protéger la peau et les voies respiratoires au moment de mélanger la peinture et au moment de remplir, d'utiliser et de nettoyer le produit. La peinture et ses émanations peuvent causer des blessures corporelles.
- Pour réduire le risque de blessure, utiliser le produit uniquement dans un endroit bien ventilé.
- Nettoyer le produit en profondeur et le rincer à grande eau après l'avoir utilisé avec une peinture. Mélanger différentes peintures dans le produit peut causer des dommages aux biens matériels.
- Pour réduire le risque de blessures, utiliser uniquement les accessoires recommandés.
- Pour la réparation du produit, utiliser uniquement des pièces de rechange identiques. Négliger de le faire risque de causer des blessures corporelles.

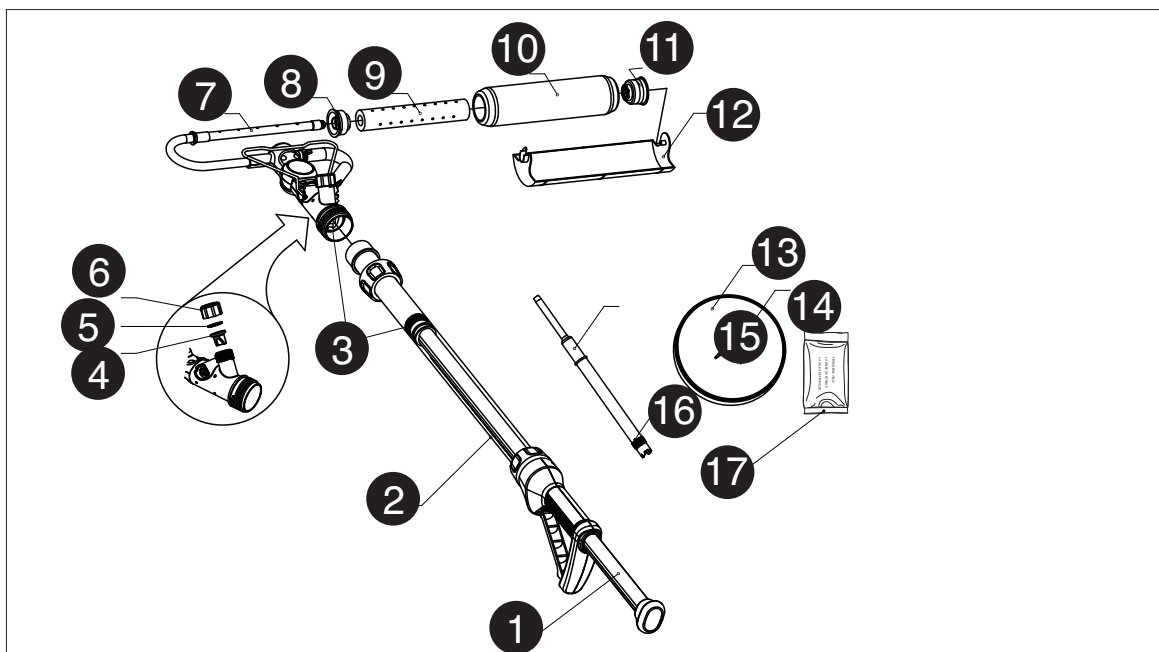
**CONSERVER CES DIRECTIVES.**

## COMPOSANTS

### DESCRIPTION

#### FONCTIONNELLE

- 1.) Piston
- 2.) Ensemble poignée
- 3.) Joints toriques
- 4.) Valve à bec de canard
- 5.) Joint racleur
- 6.) Capuchon orange pour le bouchon du tube de remplissage
- 7.) Bâti du rouleau
- 8.) Embout intérieur
- 9.) Âme de rouleau
- 10.) Rouleau perforé de 9 mm (3/8 po)
- 11.) Embout extérieur
- 12.) Écran antiéclaboussures
- 13.) Couvercle de contenant
- 14.) Déflecteur
- 15.) Tube de remplissage
- 16.) Nervures de rallonge du tube
- 17.) Gelée de pétrole



## Conseils pour peindre avec le RAPIDROLLER™

- **Utiliser uniquement un rouleau perforé. Le rouleau standard ne conviendra pas.**
- Inspecter le rouleau à la recherche de peluches avant de peindre. Le laver et l'assécher avant de l'utiliser si c'est nécessaire.
- Lors de l'utilisation du RAPIDROLLER™ pour la première application, il faudra presque toute la peinture contenue dans le tube RAPIDROLLER™ pour saturer le rouleau. Il peut falloir un deuxième remplissage.
- Ne pas maintenir le rouleau immobile au moment d'enfoncer le piston ou de presser la détente afin d'éviter tout égouttement.
- Cesser d'enfoncer le piston ou de presser la détente si le rouleau se met à déraper, à glisser ou à s'égoutter.
- Pour peindre dans des endroits restreints, remplir partiellement le RAPIDROLLER™ ou pivoter le bâti. Cela réduit sa longueur totale.
- Si le RAPIDROLLER™ est laissé sans surveillance, durant une certaine période de temps, envelopper le rouleau dans un sac en plastique, pour éviter qu'il ne sèche, et enlever tout l'air possible contenu dans le sac.
- S'assurer que le type de peinture utilisé peut être nettoyé soit avec de l'essence minérale (pour les peintures à l'huile) ou une solution d'eau chaude savonneuse (pour les peintures solubles dans l'eau comme le latex).
- Utiliser des toiles de protection pour protéger vos planchers et toute autre chose qui se trouve dans la pièce contre les éclaboussures accidentelles de peinture.
- Si la béquille est utilisée, toujours pivoter la tête à angle droit et relâcher la pression en tirant légèrement sur le piston.

# Préparer le RAPIDROLLER™ pour peindre

- 1.) Lubrifier les pièces (a) et (b) avec la gelée de pétrole fournie. Fixer le rouleau assemblé (c) sur le bâti (d) du RAPIDROLLER™. S'assurer que l'ensemble rouleau s'enclenche dans la pince d'autoblocage située sur l'embout extérieur (fig. A).
- 2.) Pousser le bâti (a) sur l'extrémité de l'ensemble poignée (d) en s'assurant que le joint torique (b) repose bien à l'intérieur du bâti du rouleau. Bien visser la bague (c) de l'ensemble poignée sur les filets du bâti du rouleau (a) (fig. B).
- 3.) L'écran antiéclaboussures permet de réduire les éclaboussures au moment de peindre, surtout dans le cas des plafonds. Positionner l'écran antiéclaboussures en le tournant autour du bâti du rouleau (fig. C).

**REMARQUE :** L'écran antiéclaboussures est aussi utile pour éviter l'égouttement lorsque le RAPIDROLLER™ repose sur la béquille et n'est pas utilisé. Il suffit de placer l'écran antiéclaboussures sous le rouleau.

# Remplir le RAPIDROLLER™ de peinture

- 1.) Insérer la petite extrémité du tube de remplissage (a) dans le trou pratiqué dans la partie inférieure du couvercle du contenant de peinture (b). Enfoncer l'extrémité jusqu'à la saillie du tube de remplissage, de manière à ce qu'elle soit serrée (fig. D).
- 2.) Fermer solidement le couvercle sur le contenant de peinture (fig. E). Lubrifier la tige supérieure du tube de remplissage avec un peu de gelée de pétrole, comprise dans la boîte.

**REMARQUE :** Le couvercle ne sera pas compatible avec certains contenants de peinture. Il peut être étiré pour convenir aux gros contenants ou être légèrement comprimé pour s'ajuster aux petits contenants.

Pour remplir le RAPIDROLLER™ lorsque le couvercle n'est pas compatible avec votre contenant de peinture, ne pas utiliser le couvercle et placer le tube de remplissage directement dans le contenant. Tenir manuellement le tube de remplissage pour stabiliser ce dernier au besoin.

Une pince à contenant pour tube de remplissage est offerte comme accessoire facultatif pouvant servir pour des contenants de taille différente. Se reporter à la section « Accessoires ».

Pour les contenants plus profonds comme les seaux de 19 litres (5 gallons), adapter une section de tube transparent, d'un diam. intérieur de 19 mm (3/4 po), aux rainures du tube de remplissage pour l'allonger (fig. E1) et fixer sur le côté du seau avec la pince à contenant pour tube de remplissage. Couper l'extrémité basse du tube, légèrement en diagonale. La tubulure est en vente dans la plupart des quincailleries.

- 3.) Tenir le RAPIDROLLER™ à un angle de 45 degrés, puis placer le robinet de remplissage (a) sur le tube de remplissage. Enfoncer doucement le RAPIDROLLER™ de manière à ce qu'il repose contre le tube de remplissage. **S'ASSURER QUE LE CAPUCHON ORANGE DU BOUCHON DU TUBE DE REMPLISSAGE (A) EST ENTIÈREMENT RECOUVERT PAR LE DÉFLECTEUR DU COUVERCLE DU CONTENANT (fig. F).**

**REMARQUE :** Enlever la cale en carton, puis presser la détente pour dégager le piston.

Tirer complètement sur le piston (b) pour aspirer la peinture dans le RAPIDROLLER™. (Une certaine force peut être requise.) Une fois le tube rempli, le produit est prêt pour peindre. Soulever lentement le RAPIDROLLER™ du tube de remplissage.

**REMARQUE :** Si le remplissage ne se fait pas complètement la première fois, pousser lentement le piston pour remettre la peinture dans le contenant, puis tirer dessus en s'assurant que l'angle est bon et que le capuchon orange pour le bouchon du tube de remplissage est bien assis.

# Peindre avec le RAPIDROLLER™

- 1.) Appliquer le rouleau sur le mur, puis enfoncer le piston ou presser la détente pour alimenter le rouleau en peinture (fig. G).
- REMARQUE :** Pour saturer le rouleau la première fois, il peut falloir toute la peinture obtenue au premier remplissage. Remplir le RAPIDROLLER™ au besoin.

## CONSEILS PRATIQUES

- La détente ne doit être pressée que lorsque de la peinture est requise.
- Si la peinture forme des points à l'application, cela signifie qu'il faut ajouter de la peinture.
- Si le rouleau glisse à la surface, appliquer moins de peinture.
- On peut constater la présence de gelée de pétrole dans la poignée.

C'est nécessaire et cela facilitera le fonctionnement du produit sans compromettre la peinture.

- 2.) La tête du rouleau peut être réglée à trois angles différents. Enfoncer le bouton orange, logé sur la tête du rouleau, pour modifier l'angle et passer d'un angle droit à un angle de 40 ou de 80 degrés. Utiliser un angle droit pour la peinture générale et les angles de 40 et de 80 degrés pour les endroits difficiles à atteindre ou lorsqu'il faut peindre près du plafond ou les bordures (fig. H).

**REMARQUE :** La poignée (a) peut être tournée pour accroître le confort au moment de peindre avec un bâti de rouleau incliné.

Pour tourner la poignée à la position souhaitée, desserrer la bague (b), régler la poignée, puis resserrer la bague (fig. H1).

- 3.) Lorsqu'il n'est pas utilisé, déposer le RAPIDROLLER™ sur la béquille (a) pratique (fig. I).
- Lorsque la béquille est utilisée, le RAPIDROLLER™ doit toujours être mis sur une toile de protection (b) ou du papier journal en cas d'égouttement (fig. J).

- Au moment de peindre, la béquille doit pointer à l'opposé du rouleau pour éviter qu'elle ne soit éclaboussée.
- Toujours tourner le rouleau à angle droit avant d'appliquer la béquille.

• Pour éviter les gouttes, enlever la pression du RAPIDROLLER™ en tirant légèrement sur le piston.

**REMARQUE :** Fixer l'écran antiéclaboussures lors de l'utilisation de la béquille permet de contenir tout égouttement de peinture.

# Nettoyer le RAPIDROLLER™

- 1.) Tirer sur le piston pour aspirer, dans le tube, la peinture en excès du bâti du rouleau (fig. K).
- CONSEIL :** mettre le pouce sur le capuchon orange pour le bouchon du tube de remplissage (a) pour mieux enlever une grande partie de la peinture du bâti avant de tirer sur le piston.
- 2.) Remettre la peinture contenue dans le RAPIDROLLER™ dans le contenant. Pour ce faire, tenir le RAPIDROLLER™ à un angle de 45 degrés et pousser le robinet de remplissage de manière à ce qu'il repose bien contre le tube de remplissage. S'assurer que le robinet de remplissage orange est complètement recouvert par le déflecteur du couvercle du contenant. Pousser le piston jusqu'à ce qu'il s'arrête (fig. L).
  - 3.) Racler la peinture en excès du rouleau, dans le contenant.
- Pour retirer le rouleau, saisir l'embout extérieur et le bâti du rouleau, et pousser sur le rouleau avec le pouce de l'autre main, comme il est illustré (fig. M).
- CONSEIL :** Porter des gants jetables ou utiliser un sac de plastique sur le rouleau pour ne pas se salir les mains.
- 4.) Retirer l'embout intérieur en insérant de biais, d'environ 25 mm (1 po), le tube métallique du bâti du rouleau dans l'embout. Tirer doucement, vers vous, le bâti du rouleau (fig. N).
- Enlever l'âme du rouleau. Vider tout restant de peinture.
- Enlever l'embout extérieur en insérant le bâti dans le rouleau et en poussant doucement sur l'embout pour le déloger (fig. O).

# Nettoyer le RAPIDROLLER™

- 1.) Retirer le tube de remplissage du couvercle du contenant de peinture, puis l'enfoncer directement dans le robinet de remplissage. Pour éliminer des peintures solubles dans l'eau, immerger le tube de remplissage dans de l'eau chaude savonneuse, puis tirer sur le piston et le pousser à au moins 5 reprises. Pour les peintures à l'huile, utiliser un solvant de dégraissage, indiqué sur le contenant du fabricant, plutôt que de l'eau et éliminer les déchets adéquatement. **CONSEIL :** Utiliser un évier, une baignoire ou tout contenant pouvant contenir l'eau pour procéder au processus de rinçage. Remplacer l'eau lorsqu'elle est sale ou au moment de passer à l'étape suivante (fig. P).



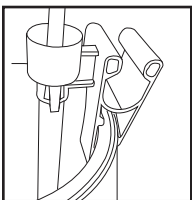
- 2.) Retirer le tube de remplissage. Puis immerger le bâti du rouleau en s'assurant que le robinet de remplissage se trouve aussi sous l'eau, puis tirer sur le piston et le pousser au moins à 5 reprises (**fig. Q**).
- CONSEIL** : Si un petit contenant est utilisé, pivoter le bâti du rouleau à un angle de 80 degrés pour l'insérer dans le contenant (**fig. Q1**).
- 3.) Enlever le bâti du rouleau et continuer le nettoyage au besoin. Immerger la poignée dans de l'eau chaude savonneuse, puis tirer sur le piston et le pousser à au moins 5 reprises (**fig. R**). **CONSEIL** : Essuyer la peinture restante couvrant l'extrémité du piston (a).
- 4.) Dévisser le bouchon du robinet, puis enlever le joint raclleur et la valve à bec de canard pour les nettoyer. Rincer les pièces restantes et drainer tout liquide du RAPIDROLLER™ (**fig. S**).
- 5.) Retirer le tube du bâti (au besoin) en pinçant les colliers de serrage de tuyau. Rincer le bâti et le tube. Remettre le tube et le fixer avec les colliers de serrage de tuyau (**fig. S1**).
- 6.) Toujours acheter un rouleau perforé. Un rouleau standard ne conviendra pas.

## Lubrifier le RAPIDROLLER™

La lubrification favorise un fonctionnement normal et doit être réalisée après le nettoyage et avant chaque utilisation du produit.

- 1.) Tourner, dans le sens antihoraire, la bague fileté de l'ensemble (a), située près de la détente, de manière à ce que l'ensemble tube principal se détache. **REMARQUE** : lors du réassemblage, le collier fileté noir (a) doit faire face à la poignée de déclenchement.
- 2.) Appliquer de la gelée de pétrole autour des joints d'étanchéité en caoutchouc illustrés et entre ceux-ci. Procéder au réassemblage en s'assurant que les joints d'étanchéité en caoutchouc ne sont pas tordus ni endommagés. Serrer la bague de blocage.
- 3.) Appliquer de la gelée de pétrole à la valve à bec de canard et au joint raclleur, puis les remettre dans l'unité et revisser le capuchon du robinet en place.
- 4.) Appliquer de la gelée de pétrole aux joints intérieurs des embouts (c et d), puis assembler le rouleau en insérant l'âme (a) dans le rouleau (b), puis en posant les embouts comme il est illustré.

## Accessoires



Les accessoires recommandés pouvant être utilisés avec le RAPIDROLLER™ sont offerts auprès du distributeur ou du centre de réparation autorisé de votre région. Pour obtenir de l'aide concernant les accessoires, composer le : 1 800 544-6986

**⚠ AVERTISSEMENT** : L'utilisation de tout accessoire non recommandé avec cet outil pourrait s'avérer dangereuse. Pince à contenant pour tube de remplissage : à utiliser avec les contenants non compatibles avec le couvercle rond fourni. Offerte dans un centre de réparation Black & Decker.

Pour les gros contenants comme les seaux de 19 litres (5 gallons), utiliser la pince à contenant pour tube de remplissage avec une section de tube, dont le diam. intérieur est de 19 mm (3/4 po), offerte dans la plupart des grands centres de rénovation. Le tube s'adapte à l'extrémité nervurée du tube de remplissage. Les manchons de rouleau perforés sont offerts dans les quincailleries.

## Dépannage

### PROBLÈME

Il faut beaucoup de temps à la peinture pour apparaître à la surface du rouleau.  
De l'air, plutôt que de la peinture, est aspiré dans la poignée.

Difficulté à insérer le tube de remplissage dans le robinet ou à l'en retirer.  
La poignée est difficile à rentrer et à sortir.

La peinture fuit par un embout.

La peinture fuit par le robinet de remplissage.

### SOLUTION

Se reporter à la première remarque « Peindre avec le RAPIDROLLER ». Il peut falloir un deuxième remplissage.

Enfoncer lentement la poignée pour expulser l'air. Retirer le produit et le réinsérer dans le tube de remplissage. S'assurer que le tube de remplissage est bien appuyé contre le corps du robinet. Le cas échéant, appliquer de la gelée de pétrole au tube de remplissage, ce qui permet d'asseoir plus facilement le tube de remplissage et le corps du robinet. S'assurer que le joint torique est en place, entre l'ensemble poignée et le bâti du rouleau, et qu'il est bien lubrifié. Mettre de la gelée de pétrole dans l'orifice de remplissage, le tube de remplissage ou les deux.

Lubrifier les joints d'étanchéité en caoutchouc, situés à l'extrémité du piston, ou tourner légèrement le piston pour briser l'adhérence.

S'assurer que les deux embouts sont bien enfoncés et qu'ils sont de niveau avec les extrémités du rouleau. S'ils sont corrects, retirer les embouts, enlever toute vieille peinture et les relubrifier avec de la gelée de pétrole.

Lubrifier le robinet avec de la gelée de pétrole. S'assurer que le joint raclleur est en place.

Pour obtenir de l'aide concernant le produit, consulter notre site Web [www.blackanddecker.com](http://www.blackanddecker.com) pour connaître l'emplacement du centre de réparation le plus près ou communiquer avec l'assistance BLACK & DECKER au 1 800 544-6986.

### Information sur les réparations

Tous les centres de réparation Black & Decker sont dotés de personnel qualifié en matière d'outillage électrique; ils sont donc en mesure d'offrir à leur clientèle un service efficace et fiable. Que ce soit pour un avis technique, une réparation ou des pièces de rechange authentiques installées en usine, communiquer avec l'établissement Black & Decker le plus près de chez vous. Pour trouver l'établissement de réparation de votre région, consulter le répertoire des Pages jaunes à la rubrique « Outils électriques » ou composer le numéro suivant : **1-800-544-6986** ou consulter le site [www.blackanddecker.com](http://www.blackanddecker.com)

### Garantie - Garantie complète de deux ans pour une utilisation domestique

Black & Decker (É.-U.) Inc. garantit ce produit pour une durée de deux ans contre tout défaut de matériau ou de fabrication. Le produit défectueux sera remplacé ou réparé sans frais de l'une des deux façons suivantes :

La première façon consiste en un simple échange chez le détaillant qui l'a vendu (pourvu qu'il s'agisse d'un détaillant participant). Tout retour doit se faire durant la période correspondant à la politique d'échange du détaillant (habituellement, de 30 à 90 jours après l'achat). Une preuve d'achat peut être requise. Vérifier auprès du détaillant pour connaître sa politique concernant les retours hors de la période définie pour les échanges.

La deuxième option est d'apporter ou d'envoyer le produit (transport payé d'avance) à un centre de réparation autorisé ou à un centre de réparation de Black & Decker pour faire réparer ou échanger le produit, à notre discrétion. Une preuve d'achat peut être requise. Les centres Black & Decker et les centres de service autorisés sont répertoriés dans les pages jaunes, sous la rubrique « Outils électriques ».

Cette garantie ne s'applique pas aux accessoires. Cette garantie vous accorde des droits légaux spécifiques et vous pourriez avoir d'autres droits qui varient d'un État ou d'une province à l'autre. Pour toute question, communiquer avec le directeur du centre de réparation Black & Decker le plus près de chez vous. Ce produit n'est pas destiné à un usage commercial.

**REPLACEMENT GRATUIT DES ÉTIQUETTES D'AVERTISSEMENT** : si les étiquettes d'avertissement deviennent illisibles ou sont manquantes, composer le **1 800 544-6986** pour en obtenir le remplacement gratuit.

Imported by / Importé par  
Black & Decker Canada Inc.  
100 Central Ave.  
Brockville (Ontario) K6V 5W6

Voir la rubrique "Outils électriques"  
des Pages Jaunes  
pour le service et les ventes.



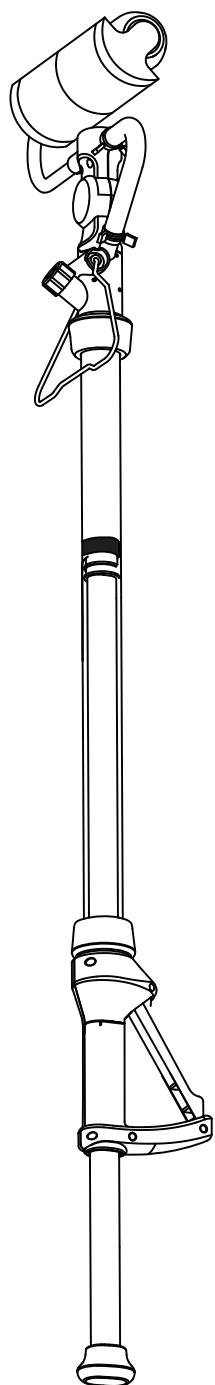


# BLACK & DECKER®

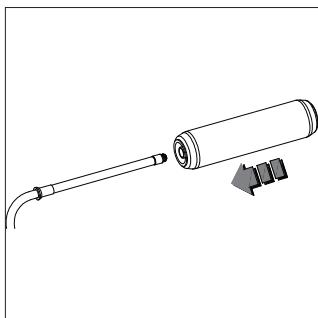
## MANUAL DE INSTRUCCIONES

RAPIDROLLER™

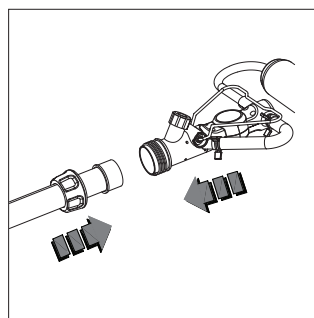
Catálogo N°BDPR400



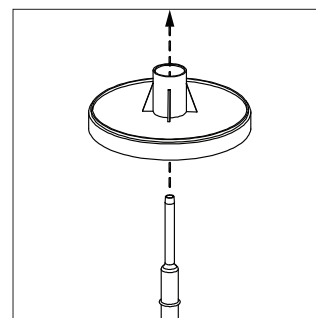
### GUÍA DE INICIO RÁPIDO



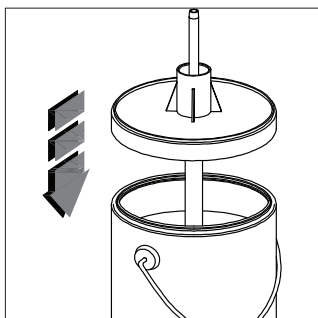
Empuje el ensamblaje del rodillo sobre el armazón del rodillo hasta que encaje en su lugar produciendo un chasquido.



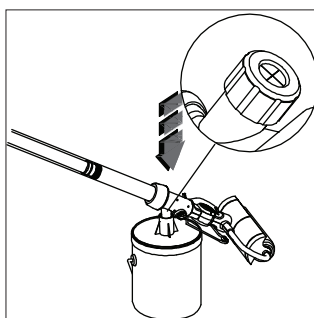
Enrosque el collar del mango en el armazón del rodillo.



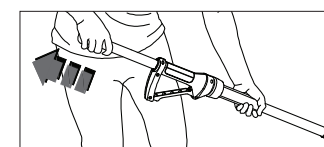
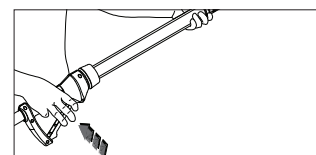
Inserte el tubo de llenado en la tapa para la lata de pintura.



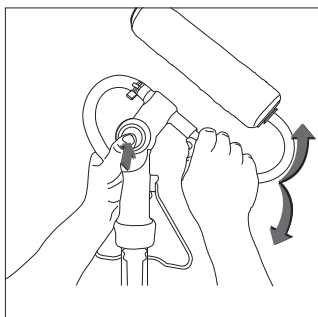
Encaje la tapa para la lata de pintura sobre la lata de pintura. (Si la cubierta no calza, consulte la sección "Llenado del rodillo RAPIDROLLER".)



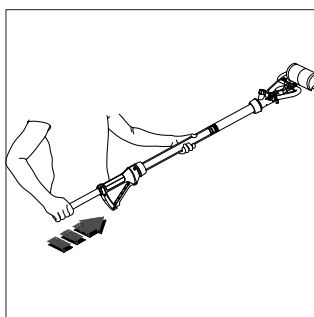
Empuje la válvula de llenado hacia abajo sobre el tubo de llenado hasta que el tapón naranja esté completamente cubierto.



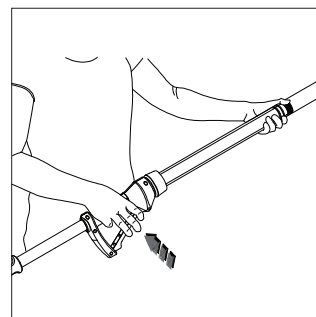
Oprima el gatillo para liberar el émbolo. Tire del émbolo hacia atrás para extraer pintura. (Es posible que sea necesario aplicar algo de fuerza para hacerlo).



Ajuste el cabezal del rodillo en el ángulo deseado.



Comience a hacerlo rodar sobre la pared y empuje el émbolo para llenar el cabezal y el rodillo con pintura.



Oprima el gatillo para cargar más pintura.

**Gracias por elegir Black & Decker!**

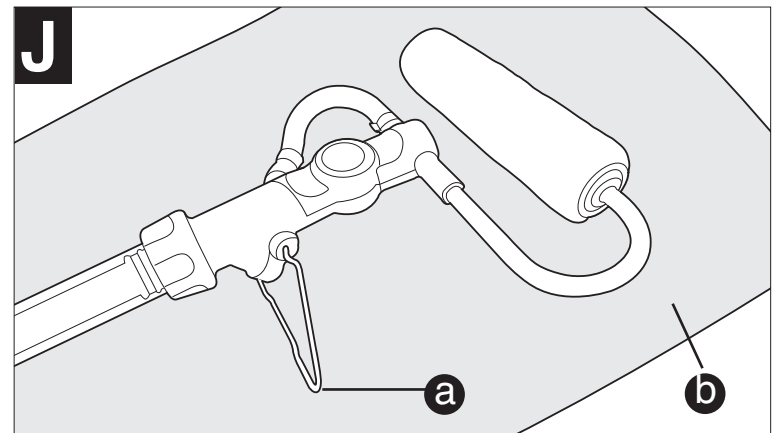
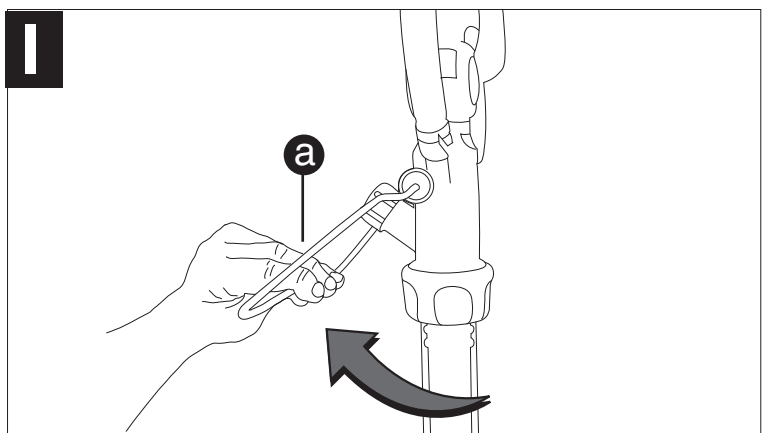
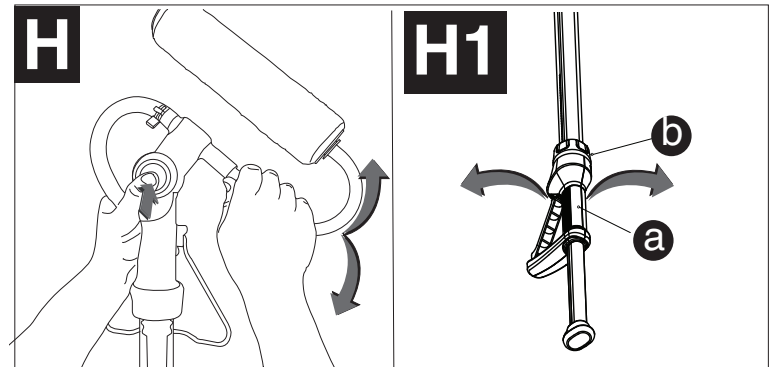
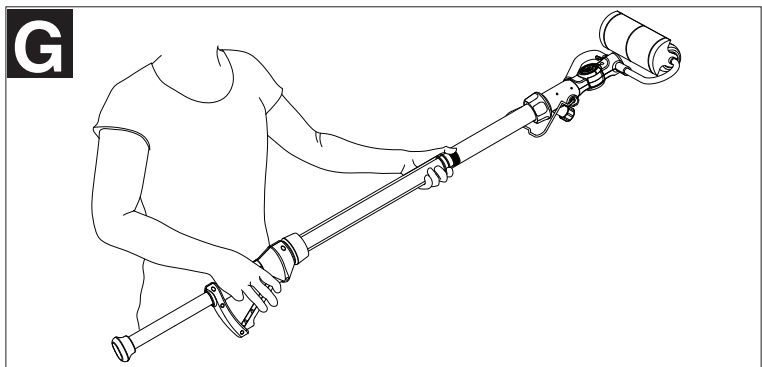
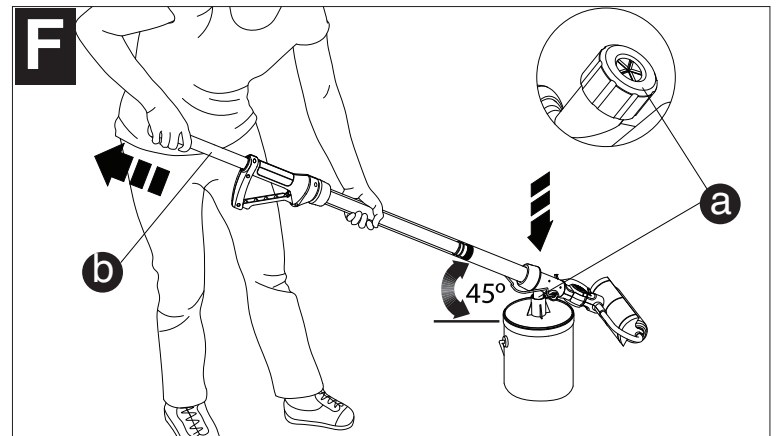
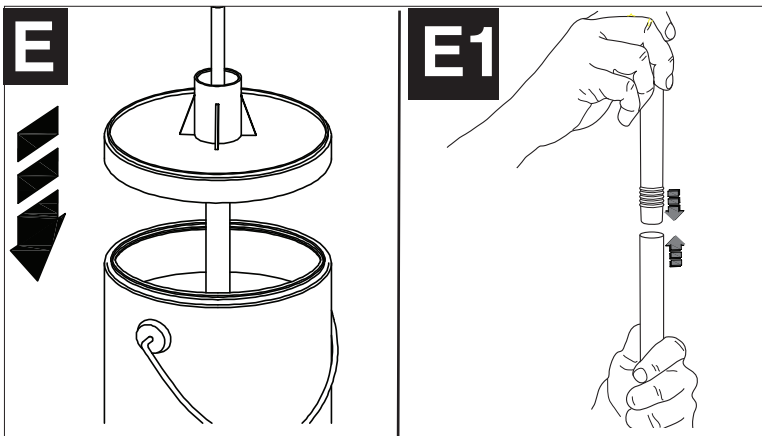
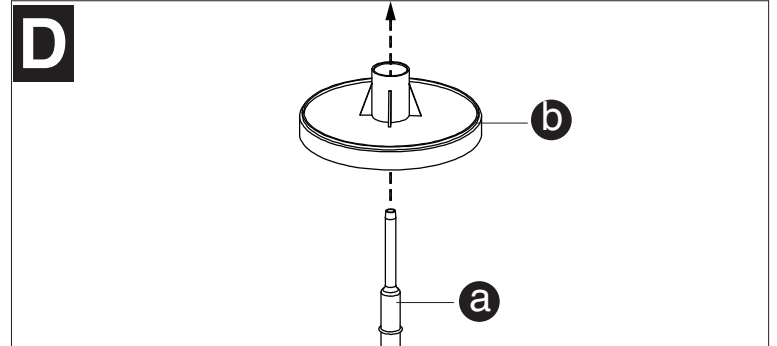
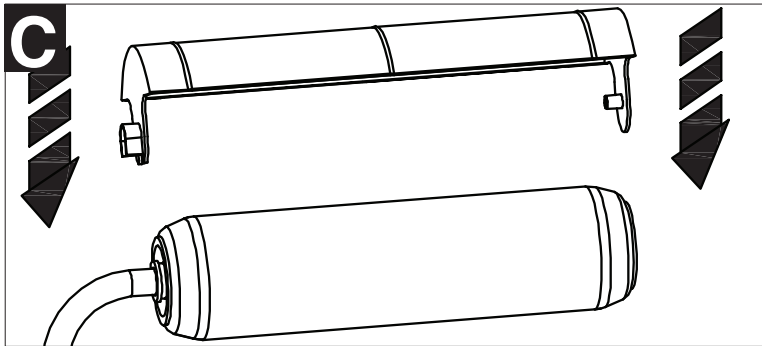
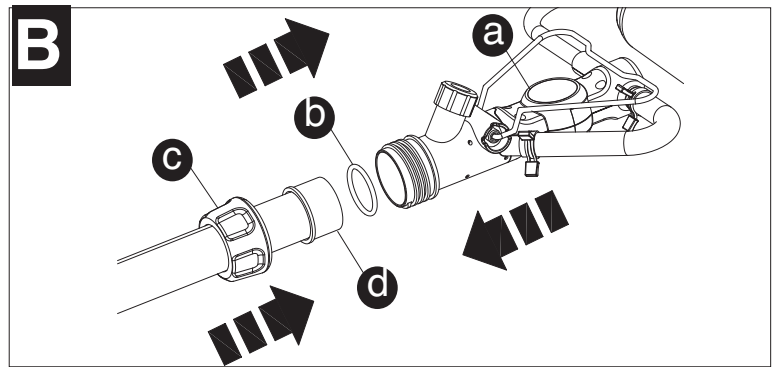
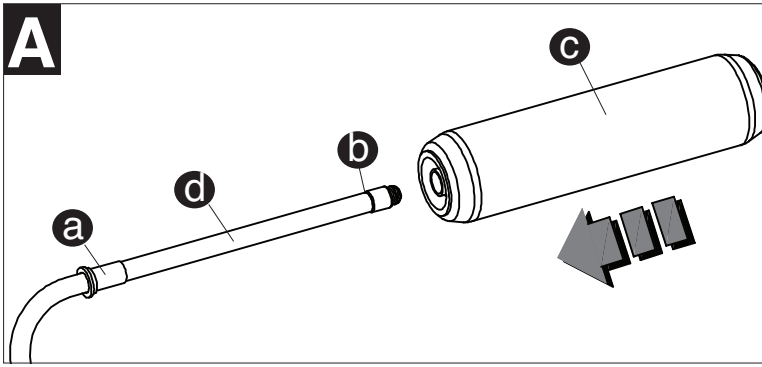
**Visite [www.BlackandDecker.com/NewOwner](http://www.BlackandDecker.com/NewOwner) para registrar su nuevo producto.**

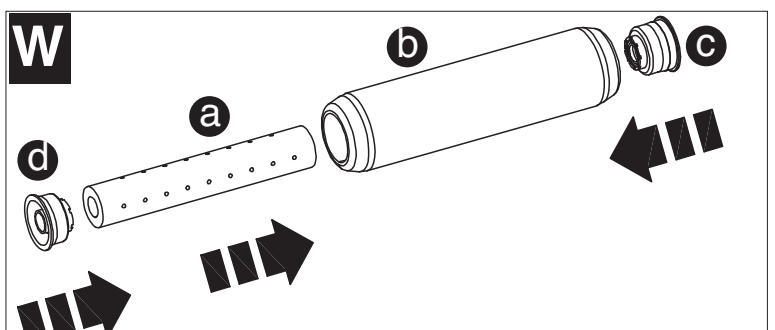
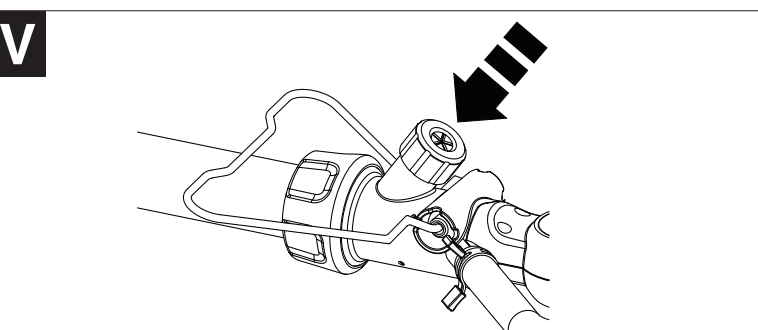
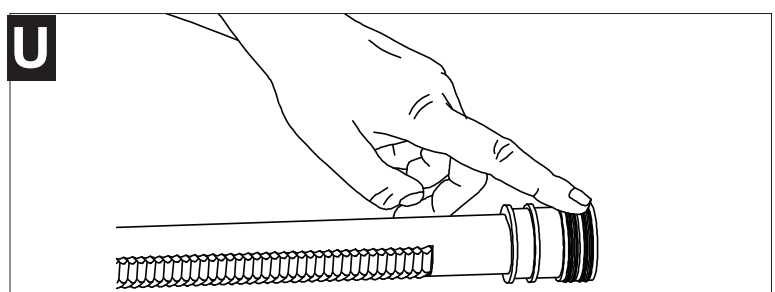
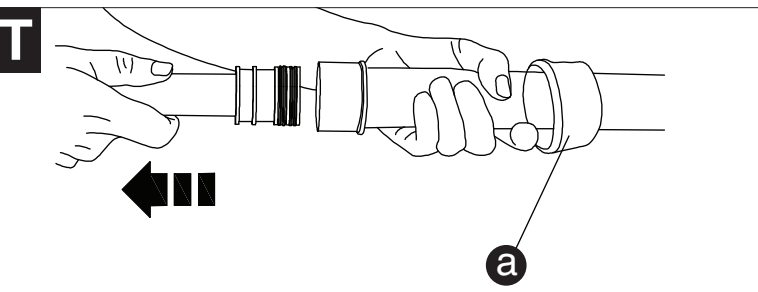
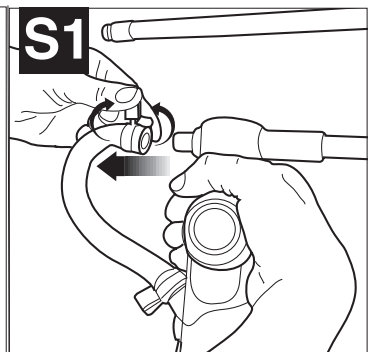
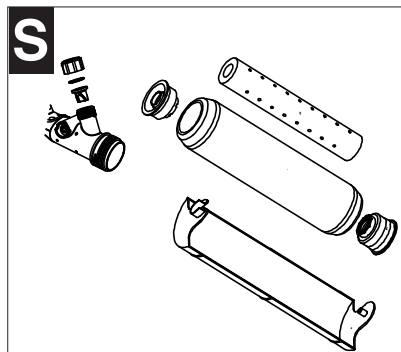
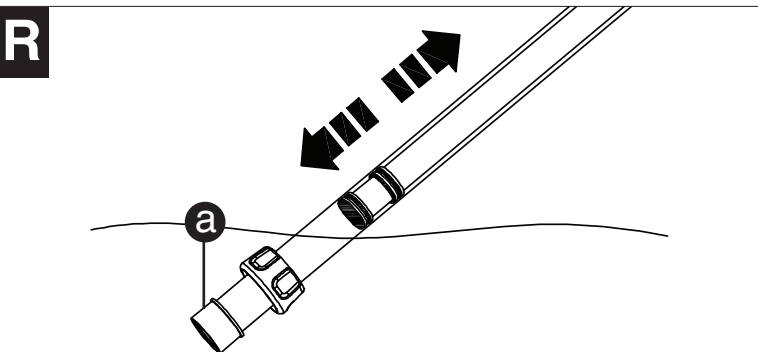
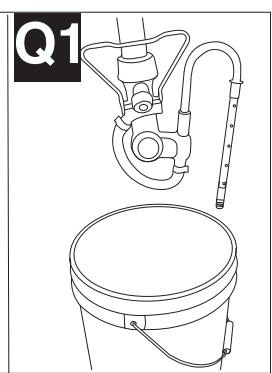
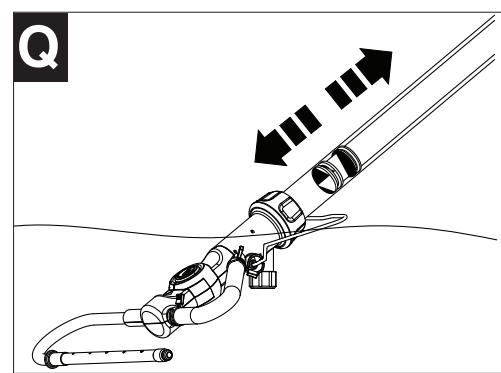
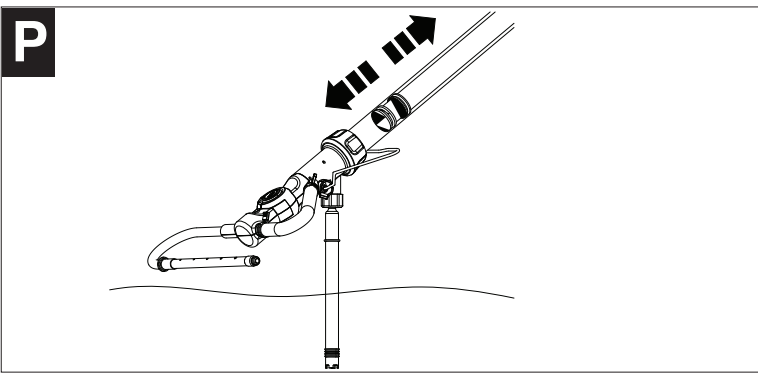
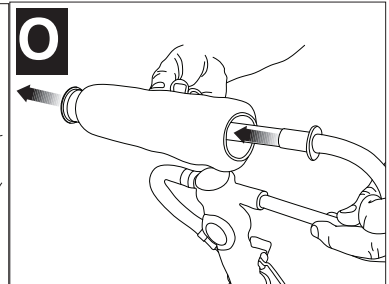
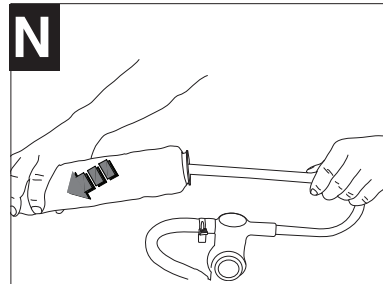
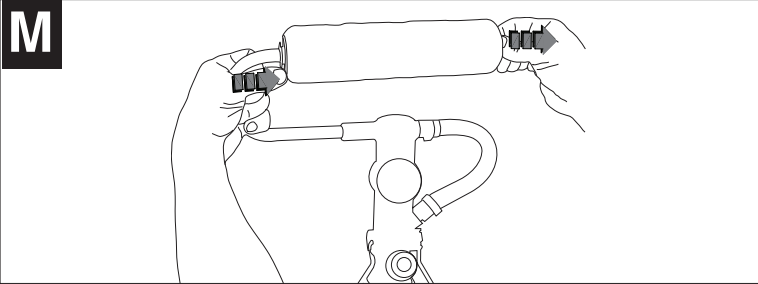
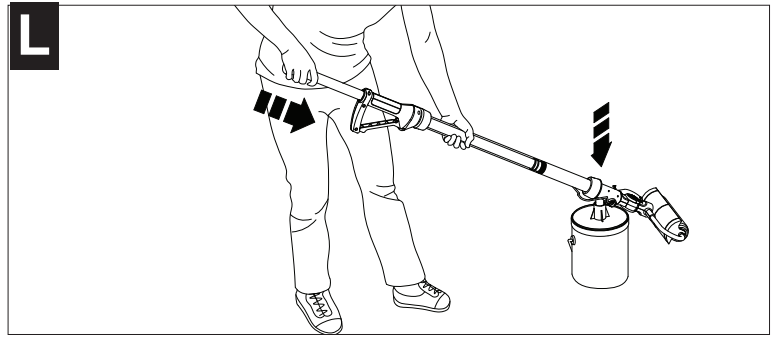
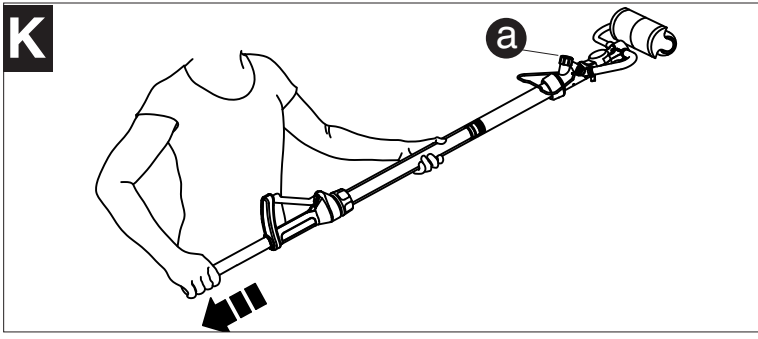
Si tiene una consulta o algún inconveniente con su producto Black & Decker, visite [HTTP://WWW.BLACKANDDECKER.COM/INSTANTANSWERS](http://www.blackanddecker.com/instantanswers) para obtener respuestas instantáneas las 24 horas del día.

Si no encuentra la respuesta o no tiene acceso a Internet, llame al 1-800-544-6986 de lunes a viernes de 8 a. m. a 5 p. m. hora del Este para hablar con un agente. Cuando llame, tenga a mano el número de catálogo.

**Consulte el interior de este manual de instrucciones para ver las instrucciones completas.**







**⚠️ ADVERTENCIA:** Para reducir el riesgo de lesiones, el usuario debe leer y comprender el manual de instrucciones antes de utilizar el rodillo RAPIDROLLER™.

**⚠️ ADVERTENCIA:** Algunas pinturas contienen sustancias químicas reconocidas por el Estado de California como causantes de cáncer, defectos de nacimiento u otros problemas reproductivos. Revise y respete las precauciones de seguridad que aparecen en el recipiente de pintura.

### PAUTAS DE SEGURIDAD/DEFINICIONES

Es importante que lea y comprenda este manual. La información que contiene se relaciona con la protección de SU SEGURIDAD y la PREVENCIÓN DE PROBLEMAS. Los símbolos que siguen se utilizan para ayudarlo a reconocer esta información.

**⚠️ PELIGRO:** indica una situación de peligro inminente que, si no se evita, provocará la muerte o lesiones graves.

**⚠️ ADVERTENCIA:** indica una situación de peligro potencial que, si no se evita, provocará la muerte o lesiones graves.

**⚠️ PRECAUCIÓN:** indica una situación de peligro potencial que, si no se evita, provocará lesiones leves o moderadas.

**AVISO:** utilizado sin el símbolo de alerta de seguridad indica una situación de peligro potencial que, si no se evita, puede provocar daños en la propiedad.

## INSTRUCCIONES DE SEGURIDAD IMPORTANTES

### ADVERTENCIA:

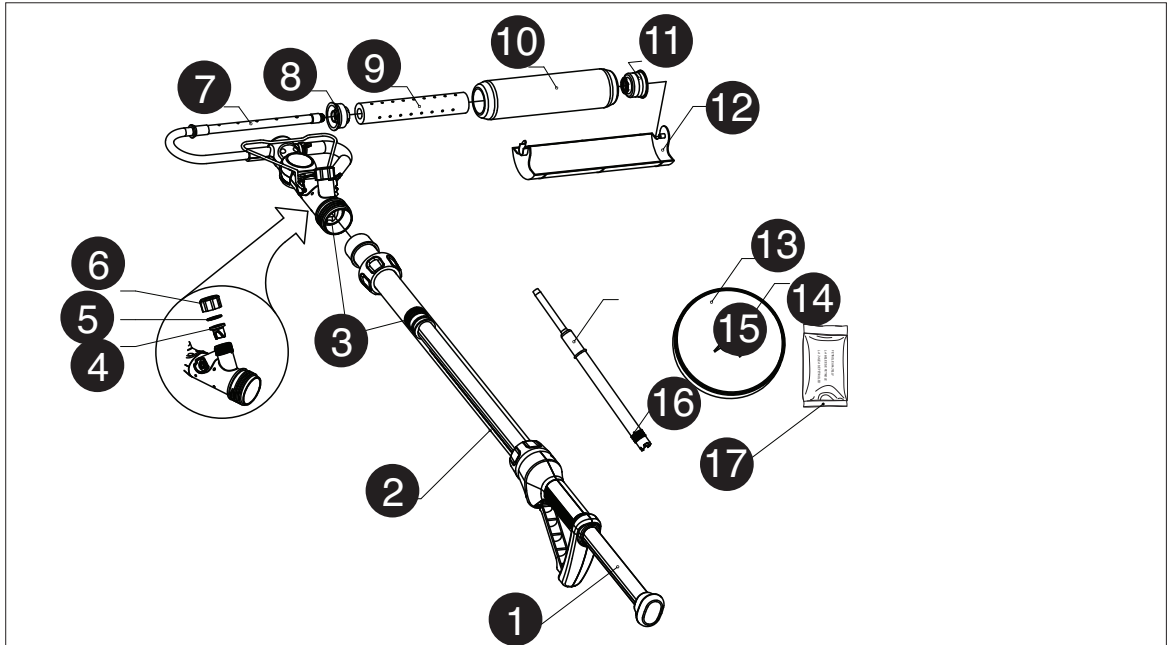
- No utilice el rodillo RAPIDROLLER™ para propósitos distintos de los descritos en este manual. Si no se cumple con esta indicación, se podrían provocar lesiones a personas y/o daños a la propiedad.
- Para uso únicamente con pinturas y tintes solubles en agua y la mayoría de las pinturas y tintes a base de aceite. No debe utilizarse con pinturas y tintes a base de aceite que requieran soluciones de limpieza más fuertes que los alcoholes minerales (consulte la etiqueta en el envase original de la pintura). No lo utilice con removedores de pintura ni similares. Los líquidos que no sean pintura o tinte pueden dañar el producto y provocar lesiones a personas o daños a la propiedad.
- Lea la etiqueta del recipiente original de la pintura y siga todas las instrucciones. El incumplimiento de estas instrucciones podría resultar en lesiones a las personas o daños a la propiedad.
- Use protección adecuada para los ojos y otros equipos de seguridad para la piel y protección para las vías respiratorias al mezclar la pintura y al llenar, utilizar y limpiar el producto. La pintura y sus vapores pueden provocar lesiones personales.
- Para reducir el riesgo de lesiones, utilícelo únicamente en un área bien ventilada.
- Limpie y enjuague el producto minuciosamente después de utilizarlo con una determinada pintura. El resultado de la mezcla de distintas pinturas en el producto podría resultar en daños a la propiedad.
- Para reducir el riesgo de lesiones, utilice únicamente los accesorios recomendados.
- Al realizar el mantenimiento, utilice únicamente piezas de repuesto idénticas. El incumplimiento de esta instrucción podría resultar en lesiones personales.

### CONSERVE ESTAS INSTRUCCIONES

## COMPONENTES

### DESCRIPCIÓN DE LAS FUNCIONES

- 1.) Émbolo
- 2.) Ensamblaje del mango
- 3.) Juntas tóricas
- 4.) Válvula pico de pato
- 5.) Sello rascador
- 6.) Cubierta anaranjada del tapón de llenado
- 7.) Armazón del rodillo
- 8.) Tapón del extremo interior
- 9.) Núcleo del rodillo
- 10.) Rodillo perforado de 9 mm (3/8 pulgada)
- 11.) Tapón del extremo exterior
- 12.) Protector contra salpicaduras
- 13.) Cubierta para la lata
- 14.) Corona
- 15.) Tubo de llenado
- 16.) Nervaduras de la extensión de manguera
- 17.) Vaselina



## Consejos para pintar con el rodillo RAPIDROLLER™

- **Utilice únicamente una cubierta para rodillo perforado. Las cubiertas para rodillos estándar no funcionarán.**
- Antes de pintar, inspeccione para detectar pelusa en la cubierta del rodillo; si es necesario, lávela y séquela antes del uso.
- Al utilizar el rodillo RAPIDROLLER™ para la primera aplicación, se necesitará la mayor parte de la pintura en el tubo del rodillo para impregnar la cubierta del rodillo. Es posible que sea necesario llenarlo nuevamente.
- Para evitar que el rodillo gotee, manténgalo en movimiento mientras empuja el émbolo hacia adentro o mientras oprime el gatillo.
- Deje de empujar el émbolo hacia adentro o de oprimir el gatillo si el rodillo comienza a patinar, resbalar o gotear.
- Al pintar en áreas estrechas, llene parcialmente el rodillo RAPIDROLLER™ o pivote el armazón. Esto reduce su longitud total.
- Al dejar el rodillo RAPIDROLLER™ sin usar durante un período prolongado, envuélvalo en una bolsa plástica para evitar que se seque y extraiga la mayor cantidad de aire posible de la misma.
- Asegúrese de que el tipo de pintura que utiliza se pueda limpiar con alcohol mineral (para pinturas a base de aceite) o una solución de agua tibia y jabón (para pinturas solubles en agua como el látex).
- Utilice una tela u otro material para proteger los pisos y cualquier otro objeto en la habitación que no desee salpicar accidentalmente con pintura.
- Al utilizar el soporte, siempre pivote el cabezal a la posición recta y libere presión tirando levemente del émbolo hacia afuera.

# Preparación del rodillo RAPIDROLLER™ para pintar

- 1.) Lubrique las piezas (a) y (b) utilizando la vaselina provista. Conecte el rodillo ensamblado (c) al armazón (d) del rodillo RAPIDROLLER™ (Fig. A) . Asegúrese de que el ensamblaje del rodillo encaje en el sujetador de bloqueo sobre el tapón del extremo exterior produciendo un chasquido.
- 2.) Empuje el armazón del rodillo (a) sobre el extremo del ensamblaje del mango (d) asegurándose de que la junta tórica (b) esté asentada dentro del armazón del rodillo. Enrosque el collar del ensamblaje del mango (c) de manera que quede bien ajustado sobre las roscas del armazón del rodillo (a) (Fig. B).
- 3.) El protector contra salpicaduras ayuda a reducir las salpicaduras al pintar, especialmente los cielos razos. Ubique el protector contra salpicaduras haciéndolo girar alrededor del armazón del rodillo (Fig. C).  
**NOTA:** El protector contra salpicaduras sirve además para evitar que el rodillo RAPIDROLLER™ gotee cuando se apoya sobre el soporte y no está en uso. Simplemente ubique el protector contra salpicaduras debajo del rodillo.

## Llenado del rodillo RAPIDROLLER™ con pintura

- 1.) Inserte el extremo pequeño del tubo de llenado (a) a través del orificio en la parte inferior de la tapa para la lata de pintura (b). Empújelo hacia adentro hasta que quede ajustado contra el borde del tubo de llenado (Fig. D).
- 2.) Encaje la tapa para la lata de pintura sobre la lata de pintura (Fig. E). Lubrique la parte superior del vástago del tubo de llenado con una cantidad pequeña de vaselina incluida en la caja.  
**NOTA:** La cubierta para la lata no calzará en algunos recipientes de pintura. Ésta se puede estirar sobre latas más grandes o comprimirse levemente para que calce con latas más pequeñas.  
Para llenar el rodillo RAPIDROLLER™ cuando la cubierta para la lata no calza con el recipiente de pintura, omita la cubierta para la lata y coloque el tubo de llenado directamente dentro del recipiente. Sostenga el tubo de llenado con la mano para estabilizarlo según se requiera. Una pinza está disponible para sujetar el tubo de llenado a la lata como un accesorio opcional para su uso con recipientes de otros tamaños. Consulte "Accesorios".  
Para recipientes más profundos, como cubos de 19 l (5 galones), ajuste un trozo de tubería transparente de 19 mm (¾ pulgada) de diámetro interno sobre los resaltes del tubo de llenado para extenderlo (Fig. E1) y use la pinza para sujetarlo al costado del cubo. Corte el extremo inferior del tubo con un pequeño ángulo. Hay tubería disponible en la mayoría de las ferreterías.
- 3.) Sostenga el rodillo RAPIDROLLER™ en un ángulo de 45 grados y coloque la válvula de llenado (a) sobre el tubo de llenado. Empuje suavemente el rodillo RAPIDROLLER™ hacia abajo hasta que llegue al fondo del tubo de llenado (Fig. F).  
**ASEGÚRESE DE QUE LA CUBIERTA ANARANJADA DEL TAPÓN DE LLENADO (a) ESTÉ COMPLETAMENTE CUBIERTO POR LA CORONA DE LA CUBIERTA PARA LA LATA.**  
**NOTA:** Retire el separador de cartón y oprima el gatillo para liberar el émbolo.  
Tire del émbolo (b) completamente hacia atrás para llevar pintura al rodillo RAPIDROLLER™ . (Es posible que sea necesario aplicar algo de fuerza para hacerlo). Una vez que el tubo esté lleno, todo está listo para comenzar a pintar. Levante el rodillo RAPIDROLLER™ lentamente para separarlo del tubo de llenado.  
**NOTA:** Si no logra un llenado completo la primera vez, empuje el émbolo lentamente para devolver algo de pintura a la lata y luego vuelva a tirar del émbolo asegurándose de que el ángulo sea el correcto y de que la cubierta anaranjada del tapón de llenado esté completamente asentada.

## Pintado con el rodillo RAPIDROLLER™

- 1.) Comience a mover el rodillo sobre la pared y empuje el mango del émbolo u oprima el gatillo para alimentar pintura hacia la cubierta del rodillo.  
**NOTA: Es posible que la impregnación inicial del rodillo requiera toda la pintura del primer llenado. Rellene el rodillo RAPIDROLLER™ según se requiera (Fig. G).**  
**CONSEJOS ÚTILES**
  - El gatillo sólo debe oprimirse cuando se requiere pintura.
  - Si se produce un patrón de puntos al pintar, aplique más pintura.
  - Si el rodillo se resbala sobre la superficie, aplique menos pintura.
  - Es posible que note la presencia de vaselina dentro del mango. Esto es necesario y ayudará al funcionamiento del mismo sin afectar la pintura.
- 2.) El cabezal del rodillo se puede ajustar en tres ángulos distintos. Oprima el botón anaranjado del cabezal del rodillo para cambiar el ángulo de recto (0 grados) a 40 u 80 grados. Utilice la posición recta para pintura en general y los ángulos de 40 u 80 grados para lugares difíciles de alcanzar o al pintar cerca de cielos razos o bordes (Fig. H).  
**NOTA:** El mango (a) se puede hacer girar para una mayor comodidad al pintar cuando el armazón del rodillo esté con un ángulo. Para hacer girar el mango a la posición deseada, afloje el collar (b), ajuste el mango y vuelva a apretar el collar (Fig. H1).
- 3.) Cuando no esté en uso, apoye el rodillo RAPIDROLLER™ sobre el cómodo soporte (a) (Fig. I).
  - Al utilizar el soporte, el rodillo RAPIDROLLER™ siempre debe estar sobre una tela protectora (b) o sobre periódicos en caso de que gotee (Fig. J).
  - Al pintar, el soporte debe apuntar en dirección opuesta al rodillo para evitar salpicaduras sobre el mismo.
  - Siempre haga girar el rodillo a la posición recta antes de apoyarlo sobre el soporte.
  - Para evitar goteos, libere la presión del rodillo RAPIDROLLER™ tirando del émbolo levemente hacia afuera.**NOTA:** La colocación del protector contra salpicaduras al utilizar el soporte ayuda a asegurar la contención de todo goteo de pintura.

## Limpieza del rodillo RAPIDROLLER™

- 1.) Tire del émbolo hacia atrás para extraer el exceso de pintura del armazón del rodillo al tubo (Fig. K).  
**CONSEJO:** Coloque un pulgar sobre la cubierta del tapón de llenado naranja (a) para ayudar a extraer la mayor cantidad de pintura posible del armazón antes de mover el émbolo hacia atrás.
- 2.) Devuelva la pintura del rodillo RAPIDROLLER™ a la lata sosteniendo el rodillo en un ángulo de 45 grados y empujando la válvula de llenado sobre el tubo de llenado hasta que llegue al fondo del tubo de llenado. Asegúrese de que la válvula anaranjada de llenado esté completamente cubierta por la corona de la tapa para la lata. Empuje el émbolo hasta que se detenga (Fig. L).
- 3.) Raspe el exceso de pintura desde el rodillo hacia la lata.  
Retire el rodillo sujetando el tapón del extremo exterior y el armazón del rodillo, y utilizando el pulgar de la otra mano para empujar el rodillo hacia afuera como se muestra (Fig. M).  
**CONSEJO:** Use guantes desechables o coloque una bolsa plástica sobre el rodillo para mantener sus manos limpias.
- 4.) Retire el tapón del extremo interior insertando el tubo metálico del armazón del rodillo dentro del tapón alrededor de 25 mm (1 pulgada) y con un ángulo pequeño. Tire del armazón del rodillo suavemente hacia usted (Fig. N).  
Retire el núcleo del rodillo. Vacíe todo remanente de pintura.  
Retire el tapón exterior insertando el armazón del rodillo dentro del rodillo y empujando el tapón suavemente hacia afuera (Fig. O).

# Limpieza del rodillo RAPIDROLLER™

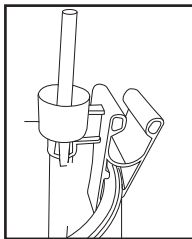
- 1.) Retire el tubo de llenado de la tapa para la lata de pintura y empújelo directamente dentro de la válvula de llenado. Al limpiar pinturas solubles en agua, sumerja el tubo de llenado dentro de agua jabonosa tibia y mueva el émbolo hacia adentro y hacia afuera 5 veces o más. Al utilizar pinturas a base de aceite, en lugar de agua utilice un solvente de limpieza adecuado según lo indicado en el recipiente del fabricante y elimínelo debidamente (**Fig. P**).  
**CONSEJO:** Utilice un lavabo, una tina de lavado o cualquier recipiente que permita contener agua para efectuar el proceso de lavado antedicho. Reemplace el agua cuando se ensucie o al ir al paso siguiente.
- 2.) Retire el tubo de llenado. Luego, sumerja el armazón del rodillo y, asegurándose de que la válvula de llenado también quede bajo el agua, mueva el émbolo hacia adentro y hacia afuera 5 veces o más (**Fig. Q**).  
**CONSEJO:** Al utilizar un recipiente pequeño, pivote el armazón del rodillo hasta la posición de 80 grados para que quepa dentro del mismo (**Fig. Q1**).
- 3.) Retire el armazón del rodillo y siga limpiando según se requiera. Sumerja el mango en el agua jabonosa tibia y mueva el émbolo hacia adentro y hacia afuera 5 veces o más (**Fig. R**).  
**CONSEJO:** Limpie los restos de pintura del extremo del émbolo (a).
- 4.) Desenrosque el tapón de la válvula y retire el sello rascador y la válvula pico de pato para limpiarlos. Enjuague todas las piezas restantes y drene todo el líquido del rodillo RAPIDROLLER™ (**Fig. S**).
- 5.) Quite la tubería del armazón (si fuera necesario) aplicando las pinzas para manguera. Lave el armazón y la tubería. Vuelva a colocar la tubería y sujétela con las pinzas para manguera (**Fig. S1**).
- 6.) Siempre compre una cubierta perforada para el rodillo. Una cubierta estándar para rodillos no funcionará.

# Lubricación del rodillo RAPIDROLLER™

La lubricación contribuye a un funcionamiento normal y debe realizarse después de la limpieza y antes de cada uso.

- 1.) Gire el collar del ensamblaje roscado hacia la izquierda (a) cerca del gatillo hasta que el ensamblaje del tubo principal se deslice hacia afuera.  
**NOTA:** Al reensamblar, el collar roscado negro (a) debe apuntar hacia el mango del gatillo.
- 2.) Aplique vaselina alrededor y entre los sellos de goma que se muestran. Vuelva a ensamblar asegurándose de que los sellos de goma no estén torcidos ni dañados. Ajuste el collar de bloqueo.
- 3.) Aplique vaselina en la válvula pico de pato y el sello rascador, y vuelva a colocarlos dentro de la unidad enroscando nuevamente el tapón de la válvula en su lugar.
- 4.) Aplique vaselina en los sellos interiores de los tapones de los extremos (c y d) y luego ensamble el rodillo colocando el núcleo (a) dentro de la cubierta del rodillo (b) y fijando los tapones de los extremos como se muestra.

# Accesorios



Los accesorios que se recomiendan para uso con el rodillo RAPIDROLLER™ están disponibles en su distribuidor local o el centro de mantenimiento autorizado. Si necesita ayuda con respecto a los accesorios, llame al: 1 800 544-6986

**⚠ ADVERTENCIA:** El empleo de cualquier accesorio no recomendado para uso con esta herramienta puede ser peligroso.  
Pinza para sujetar el tubo de llenado a la lata: para uso con recipientes que no calcen con la cubierta para lata redonda provista. Disponibles en los centros de mantenimiento de Black & Decker.  
Al utilizar recipientes más grandes, como un cubo de 19 l (5 galones), coloque la pinza para sujetar el tubo de llenado al recipiente con un trozo de tubería de 19 mm (3/4 pulgada) de D.I. disponible en la mayoría de los centros de artículos para el hogar. La tubería calza sobre el extremo del tubo de llenado con nervaduras.  
Las fundas perforadas para rodillos están disponibles en ferreterías.

# Detección de problemas

## PROBLEMA

La pintura tarda mucho en aparecer sobre la superficie.  
Se absorbe aire en lugar de pintura hacia el mango.

Dificultad para insertar o retirar el tubo de llenado de la válvula.  
Dificultad para mover el mango hacia adentro o hacia afuera.  
La pintura se sale por los tapones de los extremos.

La pintura se sale por la válvula de llenado.

## SOLUCIÓN

Consulte la primera nota de "Pintado con el rodillo RAPIDROLLER™". Es posible que se requiera un segundo llenado. Empuje el mango lentamente para expulsar el aire. Extraiga y vuelva a insertar el producto en el tubo de llenado. Asegúrese de que el tubo de llenado esté completamente asentado en el cuerpo de la válvula. Si es necesario, aplique vaselina en el tubo de llenado para facilitar que se asienten el tubo de llenado y el cuerpo de la válvula. Asegúrese de que la junta tórica esté bien lubricada y se encuentre en su lugar entre el ensamblaje del mango y el armazón del rodillo. Aplique vaselina en la entrada del orificio de llenado y/o en el tubo de llenado. Lubrique los sellos de goma en el extremo del émbolo o haga girar el émbolo levemente para romper el sello. Asegúrese de que ambos tapones de los extremos estén bien ajustados adentro y al ras con el extremo de la cubierta del rodillo. Si están bien, retire los tapones de los extremos, elimine todo resto de pintura antigua y vuelva a lubricar con vaselina. Lubrique la válvula con vaselina. Asegúrese de que el sello rascador esté en su lugar.

Para conocer la ubicación del centro de mantenimiento más cercano a fin de recibir ayuda con su producto, visite nuestro sitio Web [www.blackanddecker.com](http://www.blackanddecker.com) o llame a la línea de ayuda BLACK & DECKER al 1-800-544-6986.

## Información de mantenimiento

Todos los Centros de servicio de Black & Decker cuentan con personal altamente capacitado dispuesto a brindar a todos los clientes un servicio eficiente y confiable en la reparación de herramientas eléctricas. Si necesita consejo técnico, reparaciones o piezas de repuesto originales de fábrica, póngase en contacto con el centro de servicio de Black & Decker más cercano a su domicilio. Para ubicar su centro de servicio local, consulte la sección "Herramientas eléctricas" (Tools-Electric) de las páginas amarillas, llame al 1-800-544-6986 o visite nuestro sitio [www.blackanddecker.com](http://www.blackanddecker.com).



# Garantía

## Garantía completa de dos años para uso en el hogar

Black & Decker (Estados Unidos) Inc. ofrece una garantía de dos años por cualquier defecto del material o de fabricación de este producto. El producto defectuoso se reparará o reemplazará sin costo alguno de dos maneras.

La primera opción, el reemplazo, es devolver el producto al comercio donde se adquirió (siempre y cuando se trate de un comercio participante). Las devoluciones deben realizarse conforme a la política de devolución del comercio (generalmente, entre 30 y 90 días posteriores a la venta). Le pueden solicitar comprobante de compra. Consulte en el comercio acerca de la política especial sobre devoluciones una vez excedido el plazo establecido.

La segunda opción es llevar o enviar el producto (con flete pago) a un Centro de servicio propio o autorizado de Black & Decker para su reparación o reemplazo según nuestro criterio. Le pueden solicitar el comprobante de compra. Los Centros de servicio autorizados y de propiedad de Black & Decker se detallan en la sección "Herramientas eléctricas" (Tools-Electric) de las páginas amarillas de la guía telefónica.

Esta garantía no se extiende a los accesorios. Esta garantía le concede derechos legales específicos; usted puede tener otros derechos que pueden variar según el estado o la provincia. Si tiene alguna pregunta, comuníquese con el gerente del Centro de servicio de Black & Decker de su zona. Este producto no está diseñado para uso comercial.

**AMÉRICA LATINA:** esta garantía no se aplica a los productos que se venden en América Latina. Para los productos que se venden en América Latina, debe consultar la información de la garantía específica del país que viene en el empaque, llamar a la compañía local o visitar el sitio Web a fin de obtener esa información.

## • GARANTÍA BLACK & DECKER • BLACK & DECKER WARRANTY • SOLAMENTE PARA PROPOSITOS DE MEXICO

Distributor Name · *Sello firma del distribuidor*

Date of purchase · *Fecha de compra*

Invoice No. · *No. de factura*

### PRODUCT INFORMATION · IDENTIFICACIÓN DEL PRODUCTO

Cat. No. · *Catalogo ó Modelo*

Serial Number · *No. de serie*

Name · *Nombre*

Last Name · *Apellido*

Address · *Dirección*

City · *Ciudad*

State · *Estado*

Postal Code · *Código Postal*

Country · *País*

Telephone · *No. Teléfono*

### 2 AÑOS DE GARANTIA

Este producto cuenta con dos años de garantía a partir de la fecha de compra contra cualquier defecto de su funcionamiento, así como cualquier falla debido a materiales empleados para su fabricación ó mano de obra defectuosa.

Nuestra garantía incluye la reparación o reposición del producto y/o componentes sin cargo alguno para el cliente incluyendo la mano de obra, esta incluye los gastos de trasportación erogados para lograr cumplimiento de esta garantía en los domicilios diversos señalados.

Para hacer efectiva esta garantía deberá presentar su herramienta y esta póliza sellada por el establecimiento comercial donde se adquirió el producto.

Nos comprometemos a entregar el producto en un lapso no mayor a 30 días hábiles contados a partir de la fecha de recepción del mismo en nuestros talleres de servicio autorizados.

### ESTA GARANTIA NO APLICA CUANDO:

El producto se hubiese utilizado en condiciones distintas a las normales. El producto no hubiese sido operado de acuerdo con el instructivo de uso que se acompaña. El producto hubiese sido alterado o reparado por personas no autorizadas por nosotros.

Importador: Black & Decker S.A. de .C.V, Bosque de Cidros Acceso Radiatas No.42, 3ra. Seccion de Bosques de las lomas, C.P.05120, Mexico, D.F. Tel: (01 55) 5326 7100

### SOLAMENTE PARA PROPOSITOS DE MEXICO

#### Grupo Realsa en herramientas,

##### S.A. de C.V.

Súper Manzana 69 MZ.01 Lote 30

(Av. Torcasita)

Col. Puerto Juárez

Cancún, Quintana Roo

Tel. 01 998 884 72 27

#### Ferre Pat de Puebla, S.A. de C.V.

16 de Septiembre No. 6149

Col. El Cerrito

Puebla, Puebla

Tel. 01 222 264 12 12

#### Ferre Pat de Puebla, S.A. de C.V.

Ejército Mexicano No. 15

Col. Ejido 1ro. de Mayo

Boca del Río, Veracruz

Tel. 01 229 167 89 89

#### Servicio de Fabrica Black & Decker,

##### S.A. de C.V.

Lázaro Cardenas No. 18

Col. Obrera

Distrito Federal

Tel. 55 88 95 02

#### Representaciones Industriales

##### Robles, S.A. de C.V.

Tezozomoc No. 89

Col. La Preciosa

Distrito Federal

Tel. 55 61 86 82

#### Gpo. Comercial de Htas. y

##### Refacciones de Occidente,

##### S.A. de C.V.

Av. La Paz No. 1779

Col. Americana, S. Juaréz

Guadalajara, Jalisco

Tel. 01 33 38 25 69 78

#### Herramientas y Equipos

##### Profesionales

Av. Colón 2915 Ote.

Col. Francisco I. Madero

Monterrey, Nvo. León

Tel. 01 81 83 54 60 06

#### Htas. Portátiles de Chihuahua,

##### S.A. de C.V.

Av. Universidad No. 2903

Col. Fracc. Universidad

Chihuahua, Chihuahua

Tel. 01 614 413 64 04

#### Fernando González Armenta

Bolivia No. 605

Col. Felipe Carrillo Puerto

Cd. Madero, Tampico

Tel. 01 833 221 34 50

#### Perfiles y Herramientas de Morelia

Gertrudis Bocanegra No. 898

Col. Ventura Puente

Morelia, Michoacán

Tel. 01 443 313 85 50

#### Enrique Robles

Av. de la Solidaridad No. 12713

Col. La Pradera

Irapuato, Guanajuato

Tel. 01 462 626 67 39

#### Hernández Martínez Jeanette

Prolongación Corregidora Nte. No. 1104

Col. Arboledas

Queretaro, Qro.

Tel. 01 442 245 25 80

PARA OTRAS LOCALIDADES LLAME AL 01 800 847 2309 o 01 800 847 2312.

BLACK & DECKER S.A. DE C.V.  
BOSQUES DE CIDROS ACCESO RADIATAS NO. 42  
COL. BOSQUES DE LAS LOMAS., 05120 MÉXICO, D.F.  
TEL. (01 55) 5326 7100, 01 800 847 2309/01 800 847 2312

Vea "Herramientas  
eléctricas (Tools-Electric)"  
- Páginas amarillas -  
para Servicio y ventas





## Free Manuals Download Website

<http://myh66.com>

<http://usermanuals.us>

<http://www.somanuals.com>

<http://www.4manuals.cc>

<http://www.manual-lib.com>

<http://www.404manual.com>

<http://www.luxmanual.com>

<http://aubethermostatmanual.com>

Golf course search by state

<http://golfingnear.com>

Email search by domain

<http://emailbydomain.com>

Auto manuals search

<http://auto.somanuals.com>

TV manuals search

<http://tv.somanuals.com>