

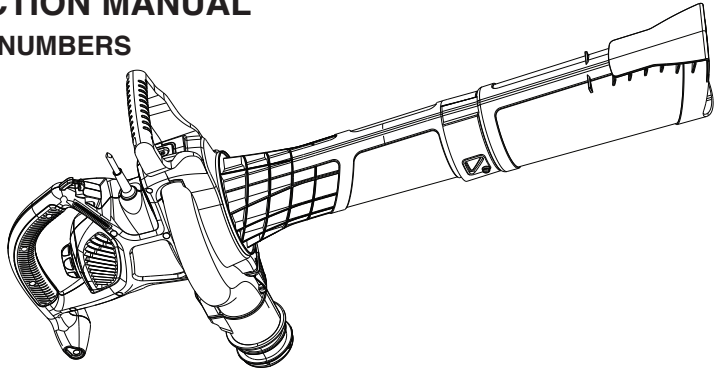
BLACK+DECKER™

BLOWER VACUUMS

INSTRUCTION MANUAL

CATALOG NUMBERS

BV5600
BV6000
BV6600



Thank you for choosing BLACK+DECKER!

PLEASE READ BEFORE RETURNING THIS PRODUCT FOR ANY REASON.

If you have a question or experience a problem with your BLACK+DECKER purchase, go to <http://www.blackanddecker.com/instantanswers>. If you can't find the answer or do not have access to the Internet, call 1-800-544-6986 from 8 a.m. to 5 p.m. EST Mon. - Fri. to speak with an agent. Please have the catalog number available when you call.

SAVE THIS MANUAL FOR FUTURE REFERENCE.

VEA EL ESPAÑOL EN LA CONTRAPORTADA.
INSTRUCTIVO DE OPERACIÓN, CENTROS DE SERVICIO Y PÓLIZA DE GARANTÍA.
ADVERTENCIA: LÉASE ESTE INSTRUCTIVO ANTES DE USAR EL PRODUCTO.

To register your new product, visit
www.BlackandDecker.com/NewOwner

SAFETY GUIDELINES - DEFINITIONS

It is important for you to read and understand this manual. The information it contains relates to protecting **YOUR SAFETY and PREVENTING PROBLEMS**. The symbols below are used to help you recognize this information.

⚠ DANGER: Indicates an imminently hazardous situation which, if not avoided, will result in death or serious injury.

⚠ WARNING: Indicates a potentially hazardous situation which, if not avoided, could result in death or serious injury.

⚠ CAUTION: Indicates a potentially hazardous situation which, if not avoided, may result in minor or moderate injury.

NOTICE: Used without the safety alert symbol indicates potentially hazardous situation which, if not avoided, may result in property damage.

IMPORTANT SAFETY WARNINGS & INSTRUCTIONS

⚠ WARNING: TO REDUCE RISK OF INJURY:

- Before any use, be sure everyone using this unit reads and understands all safety instructions and other information contained in this manual.
- Save these instructions and review frequently prior to use and in instructing others.
- Do not point unit discharge at self or bystanders.
- Keep long hair and loose clothing away from openings and moving parts.

⚠ WARNING: When using an electric tool, basic safety precautions should always be followed to reduce risk of fire, electric shock, and personal injury, including the following.

⚠ WARNING: Some dust created by this product contains chemicals known to the State of California to cause cancer, birth defects or other reproductive harm. Some examples of these chemicals are:

- compounds in fertilizers
- compounds in insecticides, herbicides and pesticides
- arsenic and chromium from chemically treated lumber

To reduce your exposure to these chemicals, wear approved safety equipment such as dust masks that are specially designed to filter out microscopic particles.

READ ALL AND UNDERSTAND ALL INSTRUCTIONS BEFORE USING.

GENERAL SAFETY WARNINGS AND INSTRUCTIONS FOR ALL TOOLS

⚠ WARNING: Read all safety warnings and all instructions. Failure to follow the warnings and instructions may result in electric shock, fire and/or serious injury.

- **ALWAYS WEAR EYE PROTECTION** – Wear safety glasses or goggles at all times when this unit is in use. Also use face or dust mask. Safety glasses are available at extra cost at your local BLACK+DECKER Service Center or authorized service facility.
- **DO NOT** place outlet of blower/vac near eyes or ears when operating.
- **STORE IDLE UNITS.** When not in use, the unit should be stored in a dry, high or locked-up place - out of reach of children.
- **DON'T OVERREACH.** Keep proper footing and balance at all times.
- **MAINTAIN UNIT WITH CARE.** Keep unit clean for best and safest performance. Follow instructions for proper maintenance.
- **DO NOT** attempt to repair the blower/vac. To assure product safety and reliability, repairs, maintenance, and adjustments should be performed by BLACK+DECKER service centers or authorized service centers, always using BLACK+DECKER replacement parts.
- **DO NOT** operate blower/vac in a gaseous or explosive atmosphere. Motors in these units normally spark, and

- the sparks might ignite fumes.
- **AVOID DANGEROUS ENVIRONMENTAL CONDITIONS** – Do not use electric units in damp or wet locations. Don't use the unit in the rain.
- **STAY ALERT** - Watch what you are doing. Use common sense. Do not operate unit when you are tired.
- **USE THE RIGHT UNIT** – Do not use this unit for any job except that for which it is intended.
- **USE EXTRA CARE** when cleaning on stairs.
- **DO NOT** allow to be used as a toy. Close attention is necessary when used by or near children. Not recommended for use by children.
- **DO NOT** attempt to clear clogs from unit without first unplugging it.
- **USE ONLY** as described in this manual. Use only manufacturer's recommended attachments.
- **DO NOT** put any objects into openings. Do not use with any opening blocked; keep free of dust, lint, hair and everything that may reduce air flow.
- **KEEP** hair, loose clothing, fingers, and all parts of body away from openings and moving parts.
- **DO NOT** immerse any part of the unit in liquid.
- **KEEP CHILDREN, BYSTANDERS AND ANIMALS AWAY** from the work area a minimum of 30 feet (10 meters) when starting or operating the unit.

- **INSPECT THE AREA** before using the unit. Remove all debris and hard objects such as rocks, glass, wire, etc. that can ricochet, be thrown, or otherwise cause injury or damage during operation.

⚠ WARNING: To reduce the risk of electrical shock; do not expose to rain, do not use on wet surfaces. Store indoors.

⚠ WARNING: Cut Hazard. Turn off and unplug unit, then wait until fan stops or at least 10 seconds before removing the blower or vacuum tube assemblies.

SAVE THESE INSTRUCTIONS.

Servicing of Double Insulated Appliances

Your Blower/Vac is double-insulated to give you added safety. In a double insulated appliance, two systems of insulation are provided instead of grounding. No grounding means is provided on a double insulated appliance, nor should a means for grounding be added to the appliance. Servicing a double insulated appliance requires extreme care and knowledge of the system and should be done only by qualified service personnel. Replacement parts for a double insulated appliance must be identical to the parts they replace. A double insulated appliance is marked with the words double insulated or "double insulation". The symbol (square within a square) may also be marked on the appliance.

⚠ Safety Rules and Instructions: Extension Cords

Double insulated tools have 2-wire cords and can be used with 2-wire or 3-wire extension cords. Only round jacketed extension cords should be used, and we recommend that they be listed by Underwriters Laboratories (U.L.) (C.S.A. in Canada). If the extension will be used outside, the cord must be suitable for outdoor use. Any cord marked as outdoor can also be used for indoor work. An extension cord must have adequate wire size (AWG or American Wire Gauge) for safety, and to prevent loss of power and overheating. The smaller the gauge number of the wire, the greater the capacity of the cable, that is 16 gauge has more capacity than 18 gauge. When using more than one extension to make up the total length, be sure each individual extension contains at least the minimum wire size. Before using an extension cord, inspect it for loose or exposed wires, damaged insulation, and defective fittings. Make any needed repairs or replace the cord if necessary.

To determine the minimum wire size required, refer to the chart:

Volts	Minimum Gauge for Cord Sets			
	Total Length of Cord in Feet			
120V	0-25 (0-7.6m)	26-50 (7.6-15.2m)	51-100 (15.2-30.4m)	101-150 (30.4-45.7m)
240V	0-50 (0-15.2m)	51-100 (15.2-30.4m)	101-200 (30.4-60.9m)	101-300 (60.9-91.4m)
Ampere Rating American Wire Gauge				
More Than	Not more Than			
0 - 6	18	16	16	14
6 - 10	18	16	14	12
10 - 12	16	16	14	12
12 - 16	14	12	Not Recommended	

⚠ Safety Rules and Instructions: Polarized Plug

To reduce the risk of electric shock, this equipment has a polarized plug (one blade is wider than the other). This equipment must be used with a suitable polarized 2 wire or 3 wire extension cord. Polarized connections will fit together only one way. Make sure that the receptacle end of the extension cord has large and small blade slot widths. If the plug does not fit fully into the extension cord, reverse the plug. If it still does not fit, obtain a suitable extension cord. If the extension cord does not fit fully into the outlet, contact a qualified electrician to install the proper outlet. Do not change the tool plug or extension cord in any way.

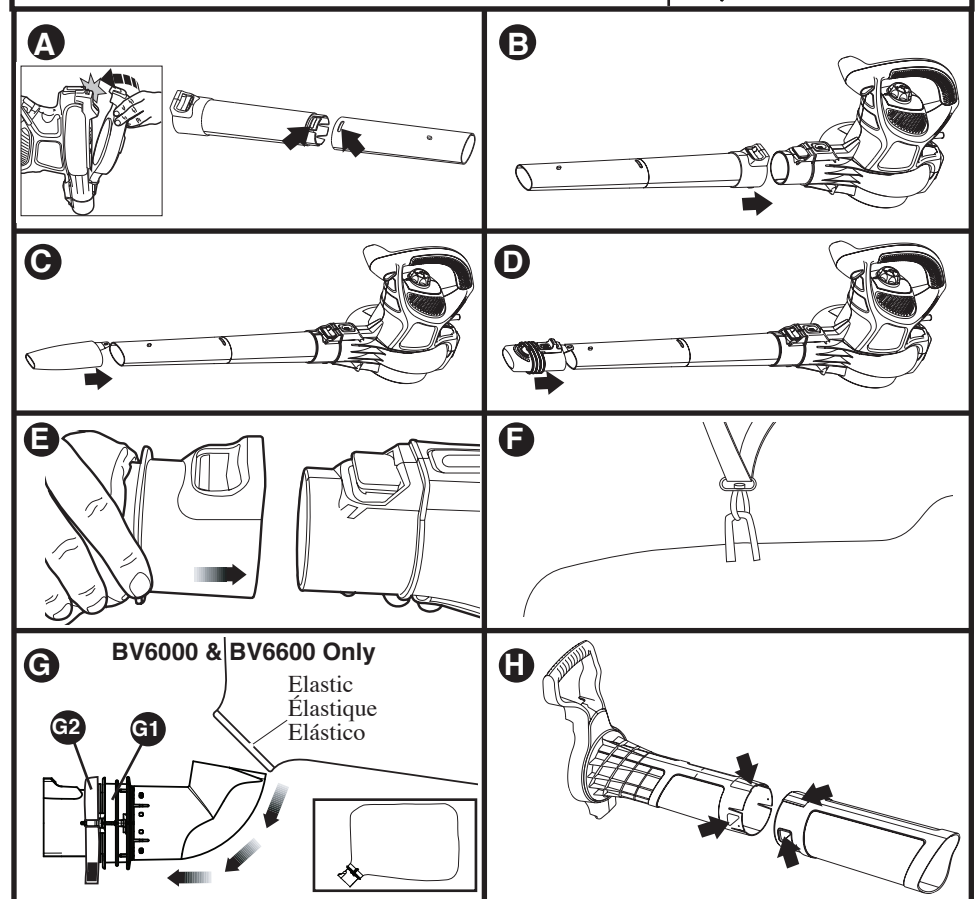
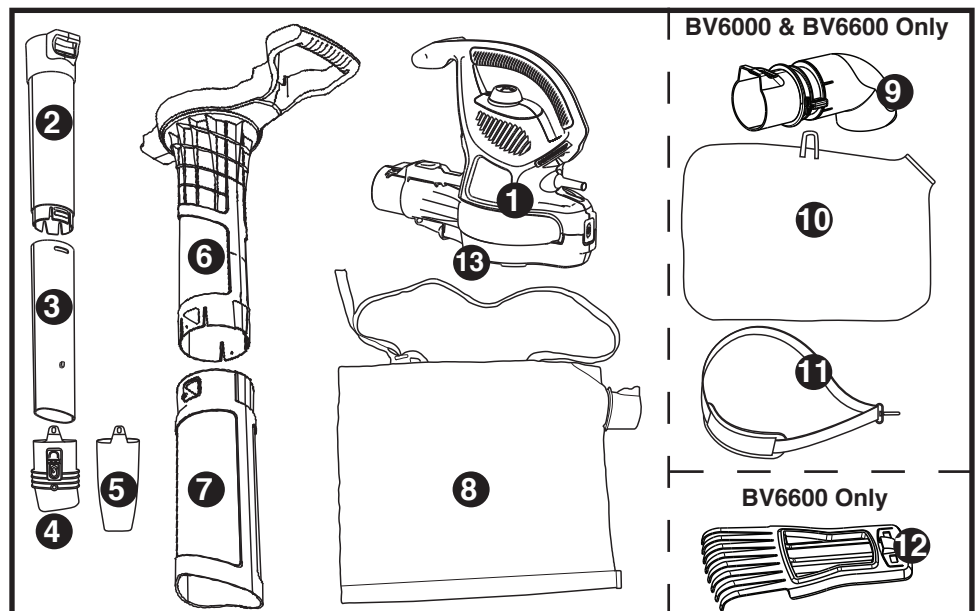
Symbols

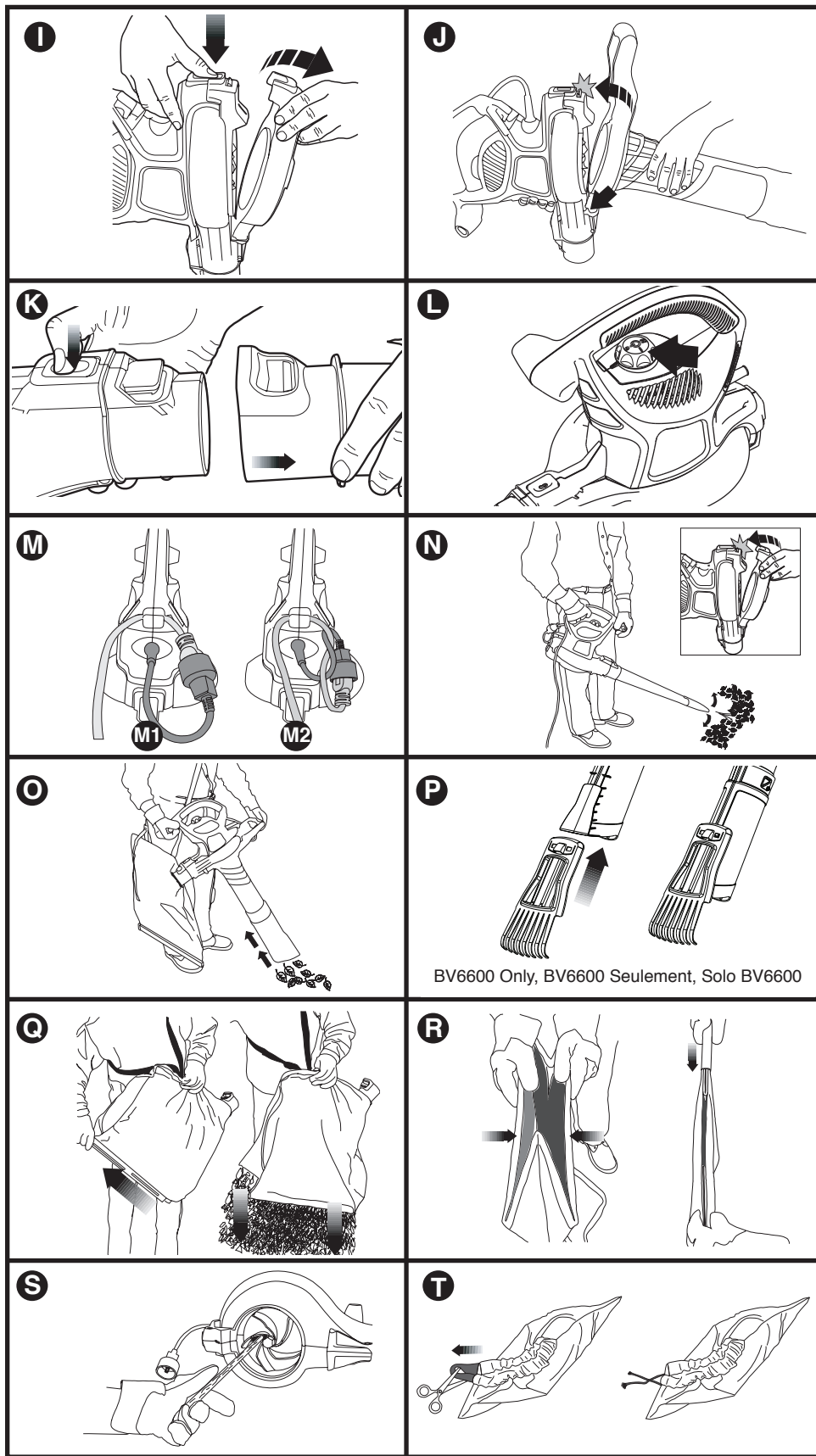
The label on your tool may include the following symbols. The symbols and their definitions are as follows:

- V.....volts
- A.....amperes
- Hz.....hertz
- W.....watts
- min.....minutes
- ~ or AC.....alternating current
- or DC...direct current
- no.....no load speed
- Ⓛ.....Class I Construction (grounded)
- Ⓜ.....earthing terminal
- ⚠.....safety alert symbol
- Ⓛ.....Class II Construction (double insulated)
- .../min or rpm...revolutions or reciprocation per minute
- 📖.....Read instruction manual before use
- 👤.....Use proper respiratory protection
- 👁.....Use proper eye protection
- 👂.....Use proper hearing protection

FUNCTIONAL DESCRIPTION

1. Power head
2. Upper blow tube
3. Lower blow tube
4. Leaf blaster attachment (BV5600)
5. Concentrator
6. Upper vac tube
7. Lower vac tube
8. Reusable collection bag
9. Diffuser (BV6000, BV6600)
10. Disposable bag (BV6000, BV6600)
11. Detachable strap (BV6000, BV6600)
12. Rake (BV6600)
13. Fan cover





ASSEMBLY

⚠ WARNING: Before attempting any of the assembly steps below, ensure product is switched off and disconnected from the power supply.

ASSEMBLY FOR BLOW MODE

BLOW TUBE ASSEMBLY (FIGURES A-D)

- Fit fan cover (13) as shown in **figure A** until audible click is heard.
- **⚠ CAUTION:** CUT HAZARD. Ensure fan cover (13) is securely seated and latched into position.
- **NOTE:** Unit will not operate in blow mode without fan cover in place. Align the upper and lower tubes as shown in **figure A**.

- Push the lower tube firmly into the upper tube, until the tubes click into place.
- Blow tubes must be assembled to the power head before use.
- Never operate without both lower and upper tubes assembled.
- In the interest of safety, it is not intended for the tubes to be separated once assembled.
- Push the tube assembly onto the power head until it is in the fully locked in position and an audible click is heard. (**figure B**).

⚠ CAUTION: CUT HAZARD. Ensure the tube assembly is securely seated and latched into position.

- Use the air concentrator attachment to target air flow to a tighter area. Add the attachment to the assembly as shown in **figure C**. Push on until hole in tab engages raised post on tube.
- Use the leaf blaster attachment to rapidly move air back and forth to remove stubborn debris from grassy areas. Add the tube to the assembly as shown in **figure D**. Push on until hole in tab engages raised post on tube. To lock the leaf blaster attachment and reduce the back and forth motion, push forward on the locking tab.

ASSEMBLY FOR VACUUM MODE

REUSABLE BAG (FIGURE E)

- Attach the shoulder collection bag to the power head as shown in **figure E**.
- If needed, attach detachable strap to bag as shown in **figure F**.
- **NOTE:** BV6000 and BV6600 are supplied with a detachable strap that can be used

with both reusable and disposable bags.

DISPOSABLE BAG (FIGURE G) - BV6000 & BV6600 ONLY

- NOTE:** Disposable bags are designed for single use only. Do not empty and reuse.
- NOTE:** Store bags in a cool, dry location, do not expose to rain or wet environments.
- Attach disposable bag to diffuser as shown in **figure G**.
 - Slide opening of the bag around the diffuser so the elastic part of the bag sits inside the grooves of the collar (**G1**).
 - Wrap the diffuser strap (**G2**) around the opening of the bag and fasten the velcro to securely attach the bag to the diffuser.
 - Attach the diffuser to the power head as shown in **figure E**.
 - Attach detachable strap to bag as shown in **figure F**.

VACUUM TUBE ASSEMBLY (FIGURES H-J)

- Vacuum tubes must be assembled together before use.
- Align the notches and the triangles on upper and lower tubes. (**figure H**)
- Push the lower tube firmly into the upper tube, until the triangles click into place. (Never operate apart).
- In the interest of safety, it is not intended for the tubes to be separated once assembled.
- Remove the fan cover (13) from the bottom of the power head by pressing the spring loaded release button (located on the back of the power head) and pulling the cover off (**figure I**).
- Attach the vacuum tube assembly to the power head (**figure J**) by locating the assembly as indicated by arrow, then pivot about this point until the locking/release catch is fully engaged.

REMOVING BLOW TUBE, VAC TUBE OR COLLECTION BAG (FIGURE I & K)

- To remove the blow tube, vac tube or shoulder collection bag, depress the release button on the power head and pull straight off (**figure I & K**).

OPERATION

USE AS A BLOWER:
ALWAYS WEAR SAFETY GLASSES. WEAR A FILTER MASK IF THE OPERATION IS DUSTY. USE OF RUBBER GLOVES AND SUBSTANTIAL FOOTWEAR IS RECOMMENDED WHEN WORKING OUTDOORS. FOR

HOUSEHOLD USE ONLY.

⚠ WARNING: CUT

HAZARD. When turning the tool off for tube installation or any other reason, wait 10 seconds for the fan to stop rotating before disassembly.

- Do not use in vacuum mode without the vacuum tubes and collection bag in place.
- Always switch off and remove the plug from the electrical supply when:
 - Changing from blower to vacuum or back.
 - The power supply cord has become damaged or entangled.
 - You leave blower/vac unattended.
 - Clearing a blockage.
 - Checking, adjusting, cleaning or working on blower/vac.
- Use blower/vac only in daylight or good artificial light.

ON/OFF SWITCH (FIGURE L) BV5600 & BV6000

Your blower/vac is fitted with a two speed switch located on the top of the power head below the handle.

- To use in low speed, rotate the knob clockwise to Position I. To use in high speed, rotate the knob clockwise to Position II.
- To turn tool OFF, rotate the knob counterclockwise to the off position (0).

CORD RETAINER (FIGURE M)

- A cord retainer is incorporated into the rear of the power head. It can be used in two different ways:
 - To use the cord retainer as shown in **figure M1**, hook the extension cord under the retainer. Then plug the cord from the power head into the extension cord.
 - To use the cord retainer as shown in **figure M2**, loop the extension cord over the power head cord and plug the two ends into each other. Then hook the extension cord under the retainer.

BV6600

Your blower/vac is fitted with a variable speed switch located on the top of the power head below the handle.

- To turn the tool ON, rotate the knob clockwise. The further the knob is rotated, the higher the air speed.
- To turn tool OFF, rotate the knob counterclockwise to the off position (0).

USE AS A BLOWER (FIGURE N)

⚠ WARNING: Ensure product is switched off and disconnected from the power supply.

- Fit fan cover (13) as shown in **figure A** until audible click is heard.

⚠ CAUTION: CUT HAZARD. Ensure fan cover (13) is securely seated and latched into position.

- Attach the blow tube assembly to the power head as shown in **figure B**.
- Connect the cord on the power head to the power supply (**figure M**).
- Hold the blow tube approximately 7 inches (180mm) above the ground, turn the blower/vac on and using a sweeping motion from side to side, advance slowly keeping the accumulated debris/leaves in front of you as shown in **figure N**.
- Once you have blown the debris/leaves into a pile, you can convert to vacuum mode to collect the debris.
- Using the air concentrator will help remove matted debris and leaves.
- Using the leaf blaster attachment will help move air back and forth to remove stubborn debris from grassy areas.

USE AS A VACUUM:

VACUUM MODE (FIGURE O)

⚠ WARNING: Ensure product is switched off and disconnected from the power supply.

To fit the leaf collection bag assembly to product:

- Remove blow tube.
- To assemble the disposable bag to the power head refer to the "Assembly" section.
- Remove the fan cover (13) from the bottom of the power head by pressing the spring loaded release button (located on the back of the power head) and pulling the cover off (**figure I**).
- Attach the vacuum tube assembly to the power head (**figure J**) by locating the assembly as indicated by arrow, then pivot about this point until the locking/release catch is fully engaged and an audible click is heard..

⚠ CAUTION: CUT HAZARD.

- Ensure the vacuum tube assembly is securely seated and latched into position.
- Connect the cord on the power head to the power supply (**figure M**).
- Position the tube slightly above the debris/leaves. Turn the blower/vac on, then using a sweeping motion the debris/leaves will be sucked up the tube, mulched and deposited into the collection bag (**figure O**).

As the bag fills the power of the suction will decrease, turn the blower/vac off and unplug from power supply.

EMPTYING REUSABLE BAG (FIGURES Q-R)

⚠ CAUTION: NEVER REMOVE THE COLLECTION BAG WITHOUT FIRST TURNING OFF AND UNPLUGGING THE VACUUM.

BV6600

• Empty the reusable leaf collection bag by sliding the retaining bar off the bottom of the bag as shown in **figure Q**.

NOTE: If the suction decreases and the bag is not full, the vacuum tube is probably clogged with debris. Turn off and unplug the blower/vac and clear the tube before continuing.

- To reattach the retaining bar, close the bottom of the shoulder bag by folding the bi-folds flat as shown in **figure R**. Slide the retaining bar over the closed bag.

BV5600 & BV6000:

As bag fills, suction power will decrease. Switch off product and unplug from power supply. Unzip reusable bag to empty and re-zip before continuing to operate.

DISPOSING OF DISPOSABLE BAG BV6000 & BV6600 (FIGURE T)

⚠ WARNING: Do Not Burn. Do Not Re-use.

NOTE: Ensure elastic is removed before disposing of bag.

- To remove the disposable bag, undo the diffuser strap and slide the bag off of the diffuser.
- Pull elastic through the hole in the neck of the bag, cut the elastic, and remove it from the bag. Tie the rope tightly to ensure the bag is sealed before disposing of it (**figure T**).
- Place another disposable bag on the diffuser before using the blower/vac again.

NOTES:

- Dispose off bag according to local regulations.
- Store in a cool, dry location, do not expose to rain or wet environments.
- Dispose of within 6 months of first use.

Disposable Bag Components:

NOTE: Disposable bag is compostable.

- Fabric 100% Polyactic Acid
- Thread 100% Cotton
- Tie 3mm Hemp Rope

RAKE (FIGURE P)

BV6600 is supplied with a rake to pull debris/leaves into piles for easier collection when using vacuum mode.

- Attach the rake accessory to the lower vac tube as shown in **figure P**.
- With the blower/vac off, use a simple raking motion to collect debris/leaves into a pile.
- Turn on unit to vacuum up the pile of debris/leaves.

MAINTENANCE

CLEANING AND STORAGE TURN OFF AND UNPLUG TOOL! (Unplug extension cord at power source.)

Use only mild soap and a damp cloth to clean the tool. Never let any liquid get inside the tool; never immerse any part of the tool into a liquid. Clean out any clippings which may have accumulated in the Blower/Vac. When used properly with dry leaves the fan chamber of your Blower/Vac should remain clean. If damp earth and debris are ingested some of the particles may build up on the inside of the fan chamber. If this happens the performance of the unit will decrease. This area can be cleaned out using a wooden stick as shown in **figure S** after disconnecting from the power source. Your Blower/Vac should be stored in a dry place.

⚠ WARNING: SHOCK HAZARD. DO NOT POUR OR SPRAY WATER ON THE TOOL IN AN ATTEMPT TO CLEAN.

Do not store the tool on or adjacent to fertilizers or chemicals. Such storage can cause rapid corrosion of the metal parts.

IMPORTANT: To assure product SAFETY and RELIABILITY, repairs, maintenance and adjustment (other than those listed in this manual) should be performed by authorized service centers or other qualified service personnel, always using identical replacement parts.

ACCESSORIES

⚠ WARNING: The use of any accessory not recommended for use with this tool could be hazardous.

Recommended accessories for use with your tool are available from your local dealer or authorized service center. If you need assistance regarding accessories, please call: **1-800-544-6986**.

SERVICE INFORMATION

All BLACK+DECKER Service Centers are staffed with trained personnel to provide customers with efficient and reliable power tool service. Whether you need technical advice, repair, or genuine factory replacement parts, contact the BLACK+DECKER location nearest you. To find your local service location, call: **1-800-544-6986** or visit www.blackanddecker.com

TWO-YEAR LIMITED WARRANTY

BLACK & DECKER (U.S.) Inc. warrants this product to be free from defects in material or workmanship for a period of two (2) years following the date of purchase, provided that the product is used in a home environment. This limited warranty does not cover failures due to abuse, accidental damage or when repairs have been made or attempted by anyone other than BLACK+DECKER and its Authorized Service Centers. A defective product meeting the warranty conditions set forth herein will be replaced or repaired at no charge in either of two ways: The first, which will result in exchanges only, is to return the product to the retailer from whom it was purchased (provided that the store is

a participating retailer). Returns should be made within the time period of the retailer's policy for exchanges. Proof of purchase may be required. Please check with the retailer for its specific return policy regarding time limits for returns or exchanges. The second option is to take or send the product (prepaid) to a BLACK+DECKER owned or authorized Service Center for repair or replacement at BLACK+DECKER's option. Proof of purchase may be required. BLACK+DECKER owned and authorized service centers online at www.blackanddecker.com. This warranty does not apply to accessories. This warranty gives you specific legal rights and you may have

other rights which vary from state to state. Should you have any questions, contact the manager of your nearest BLACK+DECKER Service Center. This product is not intended for commercial use, and accordingly, such commercial use of this product will void this warranty. All other guarantees, express or implied, are hereby disclaimed. **LATIN AMERICA:** This warranty does not apply to products sold in Latin America. For products sold in Latin America, check country specific warranty information contained in the packaging, call the local company or see the website for such information.

TROUBLESHOOTING

Problem	Possible Cause	Possible Solution
• Unit will not start.	• Fan cover or vac tube not installed. • Cord not plugged in. • Circuit fuse is blown.	• Install fan cover for blow mode or vac tube for vac mode. • Plug tool into a working outlet. • Replace circuit fuse. (If the product repeatedly causes the circuit fuse to blow, discontinue use immediately and have it serviced at a BLACK+DECKER service center or authorized servicer.)
	• Circuit breaker is tripped.	• Reset circuit breaker. (If the product repeatedly causes the circuit breaker to trip, discontinue use immediately and have it serviced at a BLACK+DECKER service center or authorized servicer.)
	• Cord or switch is damaged.	• Have cord or switch replaced at BLACK+DECKER Service Center or Authorized Servicer.
• Unit jammed or clogged.	• Debris blocking inlet/outlet or fan.	• Unplug power cord. Remove vac tube. Refer to "Cleaning and Storage Section - Maintenance".

For assistance with your product, visit our website www.blackanddecker.com for the location of the service center nearest you or call the BLACK+DECKER help line at 1-800-544-6986.

Imported by:
BLACK & DECKER (U.S.) Inc.,
701 E. Joppa Rd.
Towson, MD 21286 U.S.A.



BLACK+DECKER™

SOUFFLEUR ASPIRATEUR

MANUEL D'INSTRUCTIONS

N° DE CATALOGUE

BV5600, BV6000, BV6600

Merci d'avoir choisi BLACK+DECKER!

À LIRE AVANT DE RETOURNER CE PRODUIT POUR QUELQUE RAISON QUE CE SOIT :

Si des questions ou des problèmes surgissent après l'achat d'un produit BLACK+DECKER, consulter le site Web www.blackanddecker.com/instantanswers pour obtenir des réponses instantanément 24 heures par jour. Si la réponse est introuvable ou en l'absence d'accès à l'Internet, composer le 1 800 544-6986 de 8 h à 17 h HNE, du lundi au vendredi, pour parler avec un agent. Prière d'avoir le numéro de catalogue sous la main lors de l'appel.

Pour l'achat d'un filtre de rechange composer le 1-888-678-7278

CONSERVER CE MODE D'EMPLOI POUR UN USAGE ULTÉRIEUR.

Consulter le site Web www.BlackandDecker.com/
NewOwner pour enregistrer votre nouveau produit.

LIGNES DIRECTRICES EN MATIÈRE DE SÉCURITÉ - DÉFINITIONS

Il est important que vous lisiez et compreniez ce mode d'emploi. Les informations qu'il contient concernent VOTRE SÉCURITÉ et visent à ÉVITER TOUT PROBLÈME. Les symboles ci-dessous servent à vous aider à reconnaître cette information.

⚠ DANGER : Indique une situation dangereuse imminente qui, si elle n'est pas évitée, causera la mort ou des graves blessures.

⚠ AVERTISSEMENT : Indique une situation potentiellement dangereuse qui, si elle n'est pas évitée, pourrait causer la mort ou de graves blessures.

⚠ MISE EN GARDE : Indique une situation potentiellement dangereuse qui, si elle n'est pas évitée, pourrait causer des blessures mineures ou modérées.

AVIS : Utilisé sans le symbole d'alerte à la sécurité, indique une situation potentiellement dangereuse qui, si elle n'est pas évitée, peut résulter en des dommages à la propriété.

• Éloigner les cheveux longs et les vêtements amples des ouvertures et des pièces mobiles.

⚠ AVERTISSEMENT : Afin de réduire les risques d'incendie, de secousses électriques ou de blessures lorsqu'on utilise des outils électriques, il faut toujours respecter les mesures de sécurité suivantes.

⚠ AVERTISSEMENT : Le produit génère de la poussière qui peut renfermer des produits chimiques. Selon l'état de la Californie, ces produits chimiques peuvent causer le cancer ainsi que des malformations congénitales, et ils présentent d'autres dangers au système reproductif humain. Voici des exemples de tels produits chimiques :

- les composés d'engrais;
- les composés d'insecticides, d'herbicides et de pesticides;

- l'arsenic et le chrome provenant de bois traité.

Afin de minimiser les risques, porter de l'équipement de sécurité approuvé comme des masques antipoussières spécialement conçu pour filtrer les particules microscopiques.

BIEN LIRE ET COMPRENDRE TOUTES LES DIRECTIVES AVANT D'UTILISER L'OUTIL.

AVERTISSEMENTS ET DIRECTIVES DE SÉCURITÉ GÉNÉRALES POUR TOUS LES OUTILS

⚠ AVERTISSEMENT :

Lire tous les avertissements de sécurité et toutes les instructions. Ne pas suivre les avertissements et instructions peut entraîner un choc électrique, un incendie et / ou des blessures graves.

- **TOUJOURS PORTER DES PROTECTEURS OCULAIRES.** Porter de lunettes de sécurité en tout temps lorsque l'outil est branché. Les lunettes de sécurité sont vendues séparément aux centres de service BLACK+DECKER ou aux ateliers d'entretien autorisés.
- **NE PAS** porter l'orifice de sortie de l'outil à proximité des yeux ou des oreilles lorsque l'outil fonctionne.
- **RANGER LES OUTILS NON UTILISÉS** dans un endroit sec, situé en hauteur ou fermé à clé, hors de portée des enfants.
- **NE PAS DÉPASSER SA PORTÉE.** Toujours demeurer dans une position stable et garder son équilibre en tout temps.
- **BIEN ENTREtenir L'OUTIL.** Garder l'outil propre afin d'optimiser et de sécuriser le rendement. Suivre les directives d'entretien.
- **NE PAS** tenter de réparer l'outil. Pour garantir la sécurité et la fiabilité du produit, en confier les réparations, l'entretien et les réglages à un centre de service BLACK+DECKER ou à un atelier d'entretien autorisé utilisant uniquement des pièces de rechange BLACK+DECKER.
- **NE PAS** utiliser l'outil dans des endroits où l'atmosphère renferme des vapeurs combustibles ou explosives. Les étincelles que produit habituellement le moteur en marche pourraient enflammer ces produits.
- **ÉVITER LES CONDITIONS AMBIANTES DANGEREUSES.** Ne pas se servir d'outils électriques dans des endroits humides ou mouillés. Ne pas se servir de l'outil sous la pluie.
- **DEMEURER VIGILANT.** Travailler avec vigilance et faire preuve de bon sens. Ne pas se servir de l'outil lorsqu'on est fatigué.
- **UTILISER L'OUTIL APPROPRIÉ.** Utiliser l'outil seulement aux fins pour lesquelles il a été conçu.
- **FAIRE TRÈS ATTENTION** lorsqu'on travaille dans des escaliers.
- **IL NE S'AGIT PAS** d'un jouet. Faire particulièrement attention lorsqu'un enfant utilise l'outil ou qu'on s'en sert près d'un enfant. Il est déconseillé de laisser un enfant se servir de l'outil.
- **NE PAS** tenter de débloquent l'outil avant de le débrancher.
- **UTILISER SEULEMENT L'OUTIL** de la manière prescrite dans le présent guide. Utiliser uniquement les accessoires recommandés par le fabricant.
- **NE RIEN** insérer dans les ouvertures. Ne pas utiliser l'outil lorsqu'une ouverture est bouchée; garder les ouvertures exemptes de poussière, de charpie, de cheveux et de tout ce qui peut réduire le débit d'air.
- **ÉLOIGNER** les cheveux, les vêtements amples, les doigts et le corps des ouvertures ainsi que des pièces mobiles.
- **ÊTRE TRÈS PRUDENT** lors du nettoyage des escaliers.
- **NE PAS** manipuler le chargeur, notamment la fiche et les bornes du chargeur, avec des mains mouillées.
- **NE PAS CHARGER** l'appareil à l'extérieur.
- **NE PAS** immerger l'outil, au complet ou en partie.
- **NE PAS** manipuler la fiche ni l'outil avec les mains mouillées.
- **S'ASSURER QUE LES ENFANTS, LES OBSERVATEURS ET LES ANIMAUX SE TROUVENT À UNE DISTANCE** minimale de 10 mètres (30 pieds) de la surface de travail lorsqu'on démarre l'outil ou qu'on s'en sert.
- **EXAMINER LA ZONE** avant d'utiliser l'outil. Enlever tout débris ou objet dur (comme des pierres, du verre, des fils) qui peut ricocher, être éjecté ou provoquer des blessures ou des dommages lors de l'utilisation de l'outil.

⚠ AVERTISSEMENT :

Afin de minimiser les risques de secousses électriques, protéger de la pluie, ne pas s'enservir sur des surfaces mouillées et ranger à l'intérieur.

⚠ AVERTISSEMENT : **RISQUE DE COUPURE.** Arrêter et débrancher l'appareil. Attendre au moins 10 secondes ou jusqu'à ce que le ventilateur s'arrête complètement avant de retirer l'assemblage de la souffeuse ou du tube d'aspiration.

CONSERVER CES MESURES.

Entretien des outils à double isolation

La souffeuse-aspirateur à double isolation procure une protection supplémentaire. Dans ce type d'outil, les deux systèmes d'isolant remplacent la mise à la terre. Il n'y a aucun moyen de mettre l'outil à la terre et aucun système de mise à la terre ne doit être ajouté à l'outil. L'entretien d'un outil à double isolation exige beaucoup de soin et une excellente connaissance du système; il ne devrait être confié qu'à un technicien compétent. Les pièces de rechange de ce type d'outil doivent être identiques aux pièces d'origine. Un outil à double isolation porte l'inscription «DOUBLE INSULATED» ou «DOUBLE INSULATION». Le symbole (un carré à l'intérieur d'un carré) peut aussi figurer sur l'outil.

⚠ Mesures de sécurité : cordons de rallonge

Les outils à double isolation sont munis d'un cordon bifilaire et ils peuvent être utilisés avec un cordon de rallonge muni de 2 ou de 3 fils. Il faut seulement utiliser des cordons de rallonge à gaine ronde et ils devraient être homologués par l'organisme américain *Underwriters Laboratories* (U.L.) ou la CSA (au Canada). Lorsque le cordon de rallonge est utilisé à l'extérieur, il doit être prévu à cet effet. Tout cordon extérieur peut servir à l'intérieur. Les cordons de rallonge doivent être faits de conducteurs de calibre approprié (AWG ou calibre moyen de fil) par mesure de sécurité et afin de prévenir les pertes de puissance et les surchauffes. Le numéro de calibre du fil est inversement proportionnel à la capacité du cordon. Ainsi, un cordon de calibre 16 a une capacité supérieure à un cordon de calibre 18. Lorsqu'il est nécessaire d'utiliser plus d'un cordon de rallonge, veiller à ce que chaque cordon ait au moins le calibre minimal. Avant d'utiliser un cordon de rallonge, s'assurer qu'il n'y a pas de fils dénudés ni détachés, et que l'isolant et les raccords ne sont pas défectueux. Effectuer les réparations nécessaires ou remplacer le cordon, le cas échéant. Le tableau ci-dessous permet de déterminer le calibre minimal des cordons.

⚠ Mesures de sécurité : fiche polarisée

Afin de minimiser les risques de secousses électriques, le produit comporte une

Tension	Calibre minimum pour les jeux de cordon			
	Longueur totale du cordon en pieds			
120V	0-25 (0-7,6m)	26-50 (7,6-15,2m)	51-100 (15,2-30,4m)	101-150 (30,4-45,7m)
240V	0-50 (0-15,2m)	51-100 (15,2-30,4m)	101-200 (30,4-60,9m)	101-300 (60,9-91,4m)
Intensité (A)	Calibre moyen des fils (AWG)			
Au moins	Au plus			
0 - 6	18	16	16	14
6 - 10	18	16	14	12
10 - 12	16	16	14	12
12 - 16	14	12	non recommandé	

fiche polarisée (une lame plus large que l'autre). Il faut utiliser une rallonge polarisée appropriée, bifilaire ou trifilaire, avec ce produit. Ce genre de fiche n'entre que d'une façon dans une prise polarisée. S'assurer que la prise de la rallonge comporte des fentes de dimensions appropriées. Lorsqu'on ne peut insérer la fiche à fond dans la prise de la rallonge, il faut tenter de la faire après avoir inversé les lames de côté. Si la fiche n'entre toujours pas dans la prise, il faut se procurer une rallonge appropriée. Lorsqu'on ne peut insérer la fiche de la rallonge à fond dans la prise, il faut communiquer avec un électricien certifié. Il ne faut pas neutraliser la fiche de l'outil ni celle de la rallonge.

SYMBOLES

L'étiquette apposée sur votre outil pourrait comprendre les symboles suivants. Les symboles et leurs définitions sont indiqués ci-après :

- Vvolts
- A ampères
- Hz hertz
- W watts
- min minutes
- ~ ou AC..... courant alternatif
- == ou DC... courant continue
- non régime à vide
- ☐ Construction classe II
- ⊕ borne de terre
- ⚠ symbole d'alerte à la sécurité
- ...min/orpm.....révolutions ou alternance par minute
- 👉 Lire le mode d'emploi avant l'utilisation
- 👂 Utiliser une protection respiratoire adéquate.
- 👁 Utiliser une protection oculaire adéquate.
- 👂 Utiliser une protection auditive adéquate.

DESCRIPTION FONCTIONNELLE

1. Tête du moteur
2. Tube supérieur du souffleur
3. Tube inférieur du souffleur
4. Accessoire pulvérisateur de feuilles (BV5600)
5. Concentrateur
6. Tube supérieur de l'aspirateur
7. Tube inférieur de l'aspirateur
8. Sac collecteur réutilisable
9. Diffuseur (BV6000, BV6600)
10. Sac jetable (BV6000, BV6600)
11. Dragonne amovible (BV6000, BV6600)
12. Râteau (BV6600)
13. Capot du ventilateur

DIRECTIVES ET AVERTISSEMENTS DE SÉCURITÉ IMPORTANTS

⚠ AVERTISSEMENT : POUR RÉDUIRE LES RISQUES DE BLESSURES

- Avant tout usage, s'assurer que tout utilisateur de cet appareil lise et comprenne les directives de sécurité ainsi que l'information comprise dans le présent manuel.
- Conserver ces directives et les examiner fréquemment avant d'utiliser l'appareil ou de donner des directives aux autres.
- Ne pas diriger la zone d'évacuation de l'appareil vers soi ou des personnes à proximité.

- Le cordon d'alimentation ou la prise de courant est endommagé(e).
- Des débris bouchent l'entrée, la sortie ou le ventilateur.
- L'appareil est coincé ou bourré.

Pour obtenir de l'aide avec l'outil, consulter notre site Web www.blackanddecker.com pour l'emplacement du centre de réparation le plus près ou communiquer avec l'assistance **BLACK+DECKER** au **1-800-544-6986**.

Imported by / Importé par
BLACK & DECKER Canada Inc.
100 Central Ave., Brockville (Ontario) K6V 5W6

BLACK+DECKER™

SOPLADOR ASPIRADOR MANUAL DE INSTRUCCIONES CATÁLOGO N° BV5600, BV6000, BV6600

**GRACIAS POR ELEGIR BLACK+DECKER!
LEA EL MANUAL ANTES DE DEVOLVER ESTE PRODUCTO POR CUALQUIER MOTIVO:**

Si tiene una consulta o algún inconveniente con su producto BLACK+DECKER, visite <http://www.blackanddecker.com/instantanswers> para obtener respuestas instantáneas las 24 horas del día. Si no encuentra la respuesta o no tiene acceso a Internet, llame al 1-800-544-6986 de lunes a viernes de 8 a. m. a 5 p. m. hora del Este para hablar con un agente. Cuando llame, tenga a mano el número de catálogo.

**CONSERVE ESTE MANUAL PARA FUTURAS CONSULTAS.
SÓLO PARA USO DOMÉSTICO.**

Visite www.blackanddecker.com/newowner para registrar su nuevo producto.

PAUTAS DE SEGURIDAD/DEFINICIONES

Es importante que lea y comprenda este manual. La información que contiene se relaciona con la protección de SU SEGURIDAD y la PREVENCIÓN DE PROBLEMAS. Los símbolos que siguen se utilizan para ayudarlo a reconocer esta información.

⚠ PELIGRO: indica una situación de peligro inminente que, si no se evita, provocará la muerte o lesiones graves.

⚠ ADVERTENCIA: indica una situación de peligro potencial que, si no se evita, provocará la muerte o lesiones graves.

⚠ PRECAUCIÓN: indica una situación de peligro potencial que, si no se evita, provocará lesiones leves o moderadas.

PRECAUCIÓN: utilizado sin el símbolo de alerta de seguridad indica una situación de peligro potencial que, si no se evita, puede provocar daños en la propiedad.

ADVERTENCIAS E INSTRUCCIONES IMPORTANTES DE SEGURIDAD

⚠ ADVERTENCIA: PARA REDUCIR EL RIESGO DE LESIONES:

- Antes de todo uso, asegúrese de que todos los que utilicen esta unidad lean y comprendan todas las instrucciones de seguridad y demás información contenida en este manual.
- Conserve estas instrucciones y revíselas con frecuencia antes del uso y al instruir a otras personas.
- No apunte la descarga de la unidad hacia usted mismo o hacia personas a su alrededor.
- Mantenga el cabello largo y la ropa holgada lejos de las aberturas y las piezas en movimiento.

⚠ ADVERTENCIA: Al utilizar una herramienta eléctrica, siempre deben tomarse precauciones básicas de seguridad para reducir el riesgo de incendios, descargas eléctricas y lesiones personales, incluidas las siguientes:

⚠ ADVERTENCIA:

Parte del polvo creado por este producto contiene sustancias químicas reconocidas por el Estado de California como causantes de cáncer, defectos de nacimiento u otros problemas reproductivos. Algunos ejemplos de estas sustancias químicas son:

- compuestos en los fertilizantes
- compuestos en los insecticidas, herbicidas y pesticidas
- arsénico y cromo de la madera con tratamiento químico

Para reducir su exposición a estas sustancias químicas, use equipos de seguridad aprobados, como máscaras contra el polvo que estén diseñadas especialmente para filtrar partículas microscópicas.

LEA Y COMPRENDA TODAS LAS INSTRUCCIONES ANTES DEL USO.

réparation BLACK+DECKER ou un centre de réparation autorisé.)

• Faire remplacer le cordon ou l'interrupteur au centre de réparation BLACK+DECKER ou à un centre de réparation autorisé.

• Débrancher le cordon d'alimentation.

Retirer le tube de l'aspirateur. Se reporter à la rubrique « Nettoyage et rangement - Entretien »

utilice por niños o cerca de ellos. No se recomienda para ser usada por niños.

- **NO** intente limpiar la unidad sin antes retirar la batería.
- **ÚSESE SOLAMENTE** como se describe en este manual. Solamente utilice los dispositivos recomendados por el fabricante.
- **NO** coloque ningún objeto en las aberturas. No se use con ninguna abertura bloqueada; consérvelas libres de polvo, pelusas y cualquier objeto que pueda reducir el flujo de aire.
- **CONSERVE** cabello, ropas flojas, dedos y demás partes del cuerpo alejados de aberturas y partes móviles.
- **TENGA MUCHO CUIDADO** al limpiar en escaleras.
- **NO** manipule el cargador, incluidos el enchufe y los terminales del mismo, con las manos húmedas.
- **NO** sumerja ninguna parte de la unidad en ningún líquido.
- **NO** maneje la clavija ni otra parte de la unidad con las manos húmedas.
- **CONSERVE A LOS NIÑOS, ESPECTADORES Y ANIMALES ALEJADOS** del área de trabajo, a un mínimo de 10 metros cuando encienda u opere la unidad.
- **REVISE EL ÁREA** antes de usar la unidad. Elimine todos los objetos duros como rocas, vidrios, alambres, etc., que puedan salir despedidos y por consiguiente, causar lesiones durante la operación.

⚠ ADVERTENCIA:

Para disminuir el riesgo de choque eléctrico, no se exponga a la lluvia, no se use sobre superficies mojadas. Guárdese bajo techo.

⚠ ADVERTENCIA:

PELIGRO DE CORTE. Apague y desconecte la unidad, después, espere a que el ventilador se detenga o al menos 10 segundos antes de desmontar los subensambles de aspirado o del soplador.

CONSERVE ESTAS INSTRUCCIONES

Servicio a aparatos con doble aislamiento

Su Soplador/Aspiradora cuenta con doble aislamiento para brindarle protección añadida. En los aparatos con doble aislamiento, se cuenta con dos sistemas de aislamiento en lugar de conexión a tierra. No se proporciona ningún medio de aterrizaje en un aparato con doble aislamiento, ni se requiere añadirle ninguno. El servicio a aparatos con doble aislamiento requiere de cuidado extremo y de conocimiento del

Volts	Calibre mínimo para cables de extensión					
	Longitud total del cable en pies					
120V	0-25	26-50	51-100	101-150		
	(0-7,6m)	(7,6-15,2m)	(15,2-30,4m)	(30,4-45,7m)		
240V	0-50	51-100	101-200	101-300		
	(0-15,2m)	(15,2-30,4m)	(30,4-60,9m)	(60,9-91,4m)		
Amperaje	Más de	No más de	AWG			
6	10	18	16	14	12	0-
6	18	16	14	14	12	
6	10	18	16	14	12	
10	12	16	16	14	12	
12	16	14	12	No se recomienda		

sistema, y debe ser efectuado solamente por personal de servicio calificado. Las piezas de repuesto para aparatos con doble aislamiento deben ser idénticas a las que reemplazan. Los aparatos con doble aislamiento están marcados con las palabras "doble aislamiento". El símbolo (un cuadro dentro de otro) puede estar también marcado en el aparato.

⚠ Reglas e instrucciones de seguridad: Cables de extensión

Las herramientas con doble aislamiento tienen cables con dos líneas y pueden utilizarse con extensiones de 2 o de 3 líneas. Solamente deben usarse extensiones con cubierta cilíndrica, y le recomendamos que estén aprobadas por Underwriters Laboratories (U.L.) (NOM en México). Si la extensión se empleará a la intemperie, deberá ser adecuada para ello. Cualquier extensión destinada para uso a la intemperie se puede utilizar para trabajar bajo techo. Una extensión debe contar con el calibre adecuado (AWG o American Wire Gauge) por seguridad, y para evitar pérdida de potencia y sobrecalentamiento. Mientras menor sea el número, mayor será la capacidad del cable, por ejemplo, un cable de calibre 16 tiene mayor capacidad que uno de calibre 18. Cuando emplee más de una extensión para alcanzar la longitud total, asegúrese que cada extensión contenga por lo menos el calibre mínimo requerido. Antes de utilizar un cable de extensión, revíselo en busca de alambres flojos o expuestos, aislamiento dañado y uniones defectuosas. Haga las reparaciones necesarias o reemplace el cable en caso necesario.

Para determinar el calibre mínimo requerido para el cable, consulte la tabla que sigue:

⚠ Advertencias e instrucciones de seguridad: Clavija polarizada Este equipo cuenta con una clavija polarizada (con una pata más ancha que la otra) para reducir el riesgo de choque eléctrico. El equipo debe utilizarse con una extensión adecuada de 2 o 3 cables. Las conexiones polarizadas solamente ajustan de una manera. Asegúrese que la conexión hembra de la extensión tenga una ranura grande y una más pequeña. Si la clavija no se ajusta completamente a la extensión, inviértala. Si aún así no ajusta,

consiga una extensión adecuada. Si la extensión no se ajusta por completo a la toma de corriente comuníquese con un electricista calificado para que le instale la toma de corriente adecuada. Por ningún motivo cambie la clavija en la herramienta o en la extensión de ninguna manera.

SÍMBOLOS

La etiqueta de su herramienta puede incluir los siguientes símbolos. Los símbolos y sus definiciones son los siguientes:

- V..... voltios
- A..... amperios
- Hz..... hertz
- W..... vatios
- min..... minutos
- ~ o AC..... corriente alterna
- o DC..... corriente continua
- no..... no velocidad sin carga
- ☐..... Construcción de clase II
- ⊖..... terminal a tierra
- ⚠..... símbolo de alerta de seguridad
- .../...rpm..... revoluciones o reciprocidad por minuto
- 📖..... Lea el manual de instrucciones antes del uso
- 👉..... Use protección adecuada para las vías respiratorias
- 👁..... Use protección adecuada para los ojos
- 👂..... Use protección adecuada para los oídos

DESCRIPCIÓN FUNCIONAL

1. Cabezal de impulsión
2. Tubo de soplado superior
3. Tubo de soplado inferior
4. Accesorio soplador de hojas (BV5600)
5. Concentrador
6. Tubo de aspirado superior
7. Tubo de aspirado inferior
8. Bolsa de recolección reutilizable
9. Difusor (BV6000, BV6600)
10. Bolsa desechable (BV6000, BV6600)
11. Correa desmontable (BV6000, BV6600)
12. Rastrillo (BV6600)
13. Cubierta del ventilador

ASAMBLEA

⚠ ADVERTENCIA:

Antes de realizar cualquiera de los siguientes pasos de montaje, asegúrese de que el producto esté apagado y desconectado de la fuente de energía.

MONTAJE PARA MODO SOPLADORA

MONTAJE DEL TUBO DE SOPLADO (FIGURAS A-D)

- Coloque la cubierta del ventilador (13) como se muestra en la figura A hasta que se escuche un chasquido.

⚠ PRECAUCIÓN:

RIESGO DE CORTE. Verifique que la cubierta del ventilador (13) esté correctamente asentada y afirmada en su posición.

NOTA: La unidad no funcionará en modo de soplado sin la cubierta de la parrilla en su lugar.

Alinee los tubos superior e inferior como se muestra en la **figura A**.

- Empuje con firmeza el tubo inferior dentro del tubo superior, hasta que ambos se ajusten en su lugar.
- Los tubos de soplado deben conectarse al cabezal de impulsión antes de utilizar la herramienta.
- Nunca opere la unidad sin los tubos superior e inferior ensamblados.
- Por motivos de seguridad, los tubos no están diseñados para separarse una vez que están ensamblados.
- Empuje el ensamblaje del tubo en el cabezal de potencia hasta que esté totalmente bloqueado en su posición y se escuche un chasquido. (**figura B**).

⚠ PRECAUCIÓN:

RIESGO DE CORTE. Verifique que el ensamblaje del tubo esté correctamente asentado y afirmado en su posición.

- Utilice el accesorio concentrador de aire para dirigir el flujo de aire hacia un área más estrecha. Conecte el accesorio al conjunto, como se muestra en la **figura C**. Empuje hasta que el orificio de la ficha encaje en el poste más alto del tubo.
- Utilice el accesorio soplador de hojas para desplazar el aire hacia adelante y hacia atrás y quitar los desechos más rebeldes de las áreas con césped. Conecte el tubo al conjunto, como se muestra en la **figura D**. Empuje hasta que el orificio de la ficha encaje en el poste más alto del tubo. Para bloquear el accesorio soplador de hojas y reducir el movimiento hacia adelante y hacia atrás, empuje la ficha de bloqueo hacia adelante.

MONTAJE PARA MODO ASPIRADORA BOLSA DE RECOLECCIÓN REUTILIZABLE (FIGURA E)

- Conecte la bolsa de recolección al cabezal de impulsión, como se muestra en la **figura E**.
- Si se necesita, instale la correa desmontable en la bolsa como se muestra en la **figura F**.

NOTA: Los modelos BV6000 y BV6600 están equipados con una correa desmontable que puede utilizarse con bolsas de recolección tanto reutilizables como desechables.

BOLSA DE RECOLECCIÓN DESECHABLE (FIGURA G) (SOLO MODELOS BV6000 Y BV6600)

NOTA: Las bolsas desechables están diseñadas únicamente para un solo uso. No las vacíe y reutilice.

NOTA: Almacene las bolsas en un lugar fresco y seco, y no las exponga a la lluvia o a ambientes húmedos.

- Instale la bolsa desechable en el difusor como se muestra en la **figura G**.
- Deslice la abertura de la bolsa alrededor del difusor de manera que la parte elástica de la bolsa se sitúe dentro de las ranuras del collar (**G1**).
- Envuelva la correa (**G2**) del difusor alrededor de la abertura de la bolsa y ajuste el velcro para instalar firmemente la bolsa en el difusor.
- Instale el difusor en la unidad motriz como se muestra en la **figura E**.
- Instale la correa desmontable en la bolsa como se muestra en la **figura F**.

ENSAMBLAJE DEL TUBO DE ASPIRADO (FIGURA H-J)

- Los tubos de aspirado deben ensamblarse entre sí antes de usarse.
- Alinear las muescas y los triángulos del tubo superior e inferior. **figura H**)
- Haga coincidir las muescas y los triángulos en los tubos superior e inferior. (Nunca opere sin haberlos ensamblado.)
- En aras de la seguridad, los tubos no están hechos para separarse una vez que se han ensamblado.
- Para retirar la cubierta del ventilador de la parte inferior del cabezal de impulsión, presione el botón de liberación con resorte (ubicado en la parte posterior del cabezal de impulsión) y tire de la cubierta para extraerla (**figura I**).
- Para conectar el conjunto de tubos de aspirado al cabezal de impulsión (**figura J**), coloque el conjunto como lo indica la flecha y luego gire sobre este punto hasta que el pestillo de bloqueo y liberación encaje perfectamente.

EXTRACCIÓN DEL TUBO DE SOPLADO, EL TUBO DE ASPIRADO O LA BOLSA DE RECOLECCIÓN (FIGURA I & K)

- Para extraer el tubo de soplado, el tubo de aspirado o la bolsa de recolección, oprima el botón de liberación del cabezal de impulsión y tire hacia afuera (**figura I & K**).

FUNCIONAMIENTO

PARA UTILIZAR COMO SOPLADORA: UTILICE SIEMPRE ANTEOJOS DE SEGURIDAD. UTILICE UNA MÁSCARA CON FILTRO SI LA OPERACIÓN PRODUCE POLVILLO. SE RECOMIENDA UTILIZAR GUANTES DE GOMA Y CALZADO CERRADO DE MATERIAL RESISTENTE AL TRABAJAR AL AIRE LIBRE. PARA USO DOMÉSTICO SOLAMENTE.

⚠️ ADVERTENCIA:
PELIGRO DE CORTE. Al apagar la herramienta para instalar los tubos o por cualquier otro motivo, espere 10 segundos hasta que el ventilador deje de girar antes de desarmarla.

- No la utilice en modo aspiradora si los tubos de aspirado y la bolsa de recolección no están en su lugar.
- Apague siempre la herramienta y desenchúfela del tomacorriente cuando:
 - Cambie de modo sopladora a modo aspiradora.
 - El cable de alimentación esté dañado o enredado.
 - Deje la aspiradora/sopladora sin supervisión.
 - Elimine una obstrucción.
 - Verifique, ajuste, limpie o trabaje en la aspiradora/sopladora.
- Utilice la aspiradora/sopladora solamente con la luz del día o con una buena luz artificial.

INTERRUPTOR DE ENCENDIDO/ APAGADO (FIGURA L)

BV5600 & BV6000

Su aspiradora sopladora está equipada con un interruptor de dos velocidades ubicado en la parte superior del cabezal de impulsión, debajo del mango.

- Para utilizarla en velocidad baja, gire la perilla en sentido de las agujas del reloj hasta la posición I. Para utilizarla en velocidad alta, gire la perilla en sentido de las agujas del reloj hasta la posición II.
- Para APAGAR la herramienta, gire la perilla en sentido contrario a las agujas del reloj hasta la posición de apagado (0).

DISPOSITIVO DE RETENCIÓN DEL CABLE (FIGURA M)

- La parte posterior del cabezal de impulsión tiene un dispositivo incorporado de retención del cable. Puede utilizarse de dos maneras diferentes:
- Para utilizar el dispositivo de retención del cable como se muestra en la **figura M1**, enganche el cable prolongador debajo del dispositivo de retención. Luego conecte el cable del cabezal de impulsión al cable prolongador.
- Para utilizar el dispositivo de retención del cable como se muestra en la **figura M2**, conecte el extremo del cable prolongador con el extremo del cable del cabezal de impulsión. Luego enganche el cable prolongador debajo del dispositivo de retención.

BV6600

Su aspiradora sopladora está equipada con un interruptor de velocidad variable ubicado en la parte superior del cabezal de impulsión, debajo del mango.

- Para ENCENDER la herramienta, gire la perilla en sentido de las agujas del reloj. Cuanto más gire la perilla, mayor será la velocidad del aire.
- Para APAGAR la herramienta, gire la perilla en sentido contrario a las agujas del reloj hasta la posición de apagado (0).

MODO SOPLADORA (FIGURA N)

⚠️ ADVERTENCIA:
Asegúrese de que el producto esté apagado y desconectado de la fuente de energía.

- Coloque la cubierta del ventilador (13) como se muestra en la **figura A** hasta que se escuche un chasquido.

⚠️ PRECAUCION:
RIESGO DE CORTE. Verifique que la cubierta del ventilador (13) esté correctamente asentada y afirmada en su posición.

- Conecte el conjunto de tubos de soplado al cabezal de impulsión, como se muestra en la **figura B**.
- Conecte el cable del cabezal de impulsión a la fuente de energía (**figura M**).
- Sostenga el tubo de soplado a aproximadamente 178 mm (7 pulgadas) del piso, encienda la aspiradora/ sopladora y avance lentamente, con un movimiento de barrido de lado a lado, y mantenga los residuos y las hojas acumuladas delante suyo (**figura N**).
- Una vez que haya soplado los residuos y las hojas hasta formar una pila, podrá pasar a modo aspiradora para recoger los residuos.
- El concentrador de aire lo ayudará a quitar los residuos y las hojas enmarañados.
- El dispositivo soplador de hojas lo ayudará a desplazar el aire hacia adelante y hacia atrás para quitar los desechos más rebeldes de las áreas con césped.

PARA UTILIZAR COMO ASPIRADORA:

MODELOS CON MODO ASPIRADORA (FIGURA O)

⚠️ ADVERTENCIA:
Asegúrese de que el producto esté apagado y desconectado de la fuente de energía.

Para anexas la bolsa de recolección al producto:

- Retire el tubo de soplado.
- Para ensamblar la bolsa de recolección desechable en la unidad motriz, consulte la sección “Ensamblaje”.
- Para retirar la cubierta del ventilador de la parte inferior del cabezal de impulsión, presione el botón de liberación con resorte (ubicado en la parte posterior del cabezal de impulsión) y tire de la cubierta para extraerla (**figura I**).
- Para conectar el conjunto de tubos de aspirado al cabezal de impulsión (**figura J**), coloque el conjunto como lo indica la flecha y luego gire sobre este punto hasta que el pestillo de bloqueo y liberación encaje perfectamente y se escuche un chasquido.

⚠️ PRECAUCIÓN:
RIESGO DE CORTE. `Verifique que el ensamblaje del tubo de vacío esté correctamente asentado y afirmado en su posición.

- Conecte el cable del cabezal de impulsión a la fuente de energía (**figura M**).
- Coloque el tubo apenas por encima de los residuos y hojas. Encienda la aspiradora/sopladora, luego con un movimiento de barrido, el tubo aspirará los residuos y las hojas, los triturará y los depositará en la bolsa de recolección (**figura O**).

A medida que la bolsa se llene, la potencia de succión disminuirá; apague la aspiradora/sopladora y desenchúfela de la fuente de energía.

VACIADO DE LA BOLSA REUTILIZABLE (FIGURAS Q Y R)

⚠️ PRECAUCIÓN:
NUNCA EXTRAIGA LA BOLSA DE RECOLECCIÓN SIN APAGAR Y DESENCHUFAR LA ASPIRADORA PREVIAMENTE.

BV6600

- Para vaciar la bolsa de recolección, deslice la barra de retención de la parte inferior de la bolsa, como se muestra en la **figura Q**.

NOTA: Si la succión disminuye y la bolsa no está llena, es probable que el tubo de aspirado esté obstruido con residuos.

Apague y desenchufe la aspiradora sopladora y limpie el tubo antes de continuar.

- Para volver a colocar la barra de retención, cierre la parte inferior de la bolsa plegando la parte plana plegable, como se muestra en la **figura R**. Deslice la barra de retención sobre la bolsa cerrada.

BV5600 & BV6000

A medida que la bolsa se llene, el poder de succión disminuye. Apague el producto y desenchúfelo de la fuente de alimentación. Antes de proseguir con el uso, abra el cierre de la bolsa para vaciarla o tire a la basura la bolsa desechable e instale otra.

ELIMINACIÓN DE LAS BOLSAS - BV6000 & BV6600 (FIGURA T)

⚠️ ADVERTENCIA: No quemar. No reutilizar.

NOTA: Asegúrese de quitar el elástico antes de desechar la bolsa.

- Para sacar la bolsa desechable, suelte la correa del difusor y deslice la bolsa separándola del difusor.
 - Tire el elástico a través del orificio en el cuello de la bolsa, corte el elástico y quítelo de la bolsa. Amarre la cuerda bien apretado para asegurar que la bolsa esté sellada antes de desecharla (Figura T).
 - Coloque otra bolsa desechable en el difusor antes de volver a utilizar el soplador/ aspiradora.
- NOTAS:**
- Desechar de acuerdo con las normativas locales.
 - Almacenar en un lugar fresco y seco, y no exponer a la lluvia o a ambientes húmedos.
 - Después de su uso, desechar en un plazo de 6 meses.
- Componentes desechables Bolsa:**
- NOTA:** Bolso disponible es compostable.
- Tela 100 % ácido poliáctico
 - Hilo 100 % algodón
 - Amarra de cuerda de cáñamo de 3 mm

RASTRILLO (FIGURA P)

El modelo BV6600 está equipado con un rastrillo para formar pilas de residuos/ hojas, lo que facilita la recolección al utilizar el modo de aspirado.

- Instale el accesorio de rastrillo en el tubo inferior de la aspiradora como se muestra en la **figura P**.
- Con el soplador/aspiradora apagado, realice un movimiento simple de rastrillado para formar pilas de residuos/hojas.
- Encienda la unidad para aspirar la pila de residuos/hojas.

MANTENIMIENTO

LIMPIEZA Y GUARDADO
¡APAGUE Y DESCONECTE LA HERRAMIENTA (desconecte el cable de extensión de la toma de corriente). Utilice únicamente jabón suave y un trapo húmedo para limpiar la herramienta. Limpie todos los desechos y recortes que se hayan Acumulado en su Blower/ Vac. Cuando la unidad se utiliza apropiadamente con hojas secas, la cámara del ventilador debe permanecer limpia. Si se trabaja con tierra y desechos húmedos, algunas de las partículas se pueden acumular en el interior de la cámara del ventilador.

Si esto ocurre, el rendimiento de la unidad bajará. Esta parte puede limpiarse con una vara de madera, como se muestra en la **figura S**, luego de desconectar la unidad de la fuente de alimentación. Su soplador aspiradora Blower/Vac debe guardarse en un lugar seco.

⚠️ PRECAUCION:
RIESGO DE DESCARGA ELÉCTRICA. NO VACÍE O ROCÍE AGUA EN LA HERRAMIENTA EN UN INTENTO POR LIMPIARLA.
No guarde la herramienta sobre fertilizantes o productos químicos ni junto a ellos. Dicho almacenaje puede ocasionarle una rápida corrosión a las partes metálicas. Utilice únicamente jabón suave y un trapo húmedo para limpiar la herramienta. Nunca permita que se introduzcan líquidos en la herramienta; nunca sumerja ninguna parte de la herramienta en ningún líquido.

IMPORTANT: Para garantizar la **SEGURIDAD** y la **CONFIABILIDAD** del producto; las reparaciones, el mantenimiento y los ajustes (diferente de los mencionados en este manual) deberán ser efectuados por centros de servicio autorizado u otras organizaciones de servicio calificadas que utilicen siempre refacciones idénticas.

ACCESORIOS

⚠️ ADVERTENCIA: El uso de accesorios no recomendados para utilizar con esta herramienta puede resultar peligroso.

Los accesorios que se recomiendan para la herramienta están disponibles en su distribuidor local o en el centro de servicio autorizado. Si necesita ayuda con respecto a los accesorios, llame al: **1-800-544-6986**.

INFORMACIÓN DE MANTENIMIENTO

Todos los Centros de servicio de BLACK+DECKER cuentan con personal altamente capacitado dispuesto a brindar a todos los clientes un servicio eficiente y confiable en la reparación de herramientas eléctricas. Si necesita consejo técnico, reparaciones o piezas de repuesto originales de fábrica, póngase en contacto con el centro de servicio de BLACK+DECKER más cercano a su domicilio. Para ubicar su centro de servicio local, llame al **1-800-544-6986** o visite nuestro sitio **www.blackanddecker.com**.

GARANTÍA LIMITADA DE Dos AÑOS

BLACK & DECKER (U.S.) Inc. garantiza que este producto está libre de defectos de material o mano de obra durante un período de dos (2) años desde la fecha de compra, siempre y cuando el producto se utilice en un entorno doméstico. Esta garantía limitada no cubre contra fallas debidas a mal uso, daño accidental o cuando se han realizado o intentado reparaciones por parte de cualquier otra persona ajena a BLACK+DECKER y sus centros de mantenimiento autorizados. Un producto defectuoso que cumple con las condiciones de la garantía establecidas en el presente documento será reemplazado o reparado sin costo de una dos maneras: a primera, que únicamente dará lugar a intercambios, consiste en devolver el producto al comerciante minorista donde fue comprado (siempre y cuando la tienda sea un comerciante minorista participante). Las devoluciones deben realizarse dentro del período establecido en la política para intercambios del comerciante minorista. Es posible que se requiera el comprobante de compra. Consulte al comerciante minorista sobre su política específica de devoluciones con respecto a los límites de tiempo para devoluciones o intercambios.

La segunda opción es llevar o enviar (pagado por adelantado) el producto a un centro de mantenimiento de propiedad o con autorización de BLACK+DECKER para su reparación o remplazo a discreción de BLACK+DECKER. Es posible que se requiera un comprobante de compra. Los centros de mantenimiento de propiedad o con autorización de Black+Decker en línea en www.blackanddecker.com.

Esta garantía no se aplica a los accesorios. Esta garantía le otorga derechos legales específicos y es posible que tenga otros derechos que varían de un estado a otro. En caso de que tenga alguna pregunta, comuníquese con el gerente del centro de mantenimiento de BLACK+DECKER más cercano a usted. Este producto no está diseñado para uso comercial y, en consecuencia, dicho uso comercial de este producto anulará la garantía. Por medio del presente documento, se declina la responsabilidad de todas las demás garantías, explícitas o implícitas.

AMÉRICA LATINA: Esta garantía no se aplica a productos vendidos en América Latina. Para los productos que se venden en América Latina, consulte la información de garantía específica del país contenida en el empaque, llame a la compañía local o visite el sitio web para obtener dicha información.

DETECCIÓN DE PROBLEMAS

Problema	Causa posible	Solución posible
• La unidad no enciende.	<ul style="list-style-type: none"> • La cubierta del ventilador o el tubo de aspirado no está instalado. • Cable desenchufado. • Fusible quemado. 	<ul style="list-style-type: none"> • Instale la cubierta del ventilador para el modo sopladora o el tubo de aspirado para el modo aspiradora. • Enchufe el cargador en un tomacorriente que funcione. • Reemplace el fusible quemado. (Si repetidamente el producto hace que el fusible del circuito se queme, deje de utilizarlo inmediatamente y haga que le realicen mantenimiento en un centro de mantenimiento BLACK+DECKER o en un centro de servicio autorizado.)
	• El interruptor automático está activado.	• Reinicie el interruptor automático. (Si repetidamente el producto hace que el fusible del circuito se queme, deje de utilizarlo inmediatamente y haga que le realicen mantenimiento en un centro de mantenimiento BLACK+DECKER o en un centro de servicio autorizado.)
	• Interruptor o cable dañado.	• Haga reparar el cable o el interruptor en un centro de mantenimiento BLACK+DECKER o en un centro de mantenimiento autorizado.
• La unidad está atascada u obstruida.	• Los residuos bloquean los conductos de entrada y salida o el ventilador.	• Desenchufe el cable de alimentación. Extraiga el tubo de aspirado. Consulte la "Sección de limpieza y almacenamiento: Mantenimiento".

Para conocer la ubicación del centro de mantenimiento más cercano a fin de recibir ayuda con su producto, visite nuestro sitio Web www.blackanddecker.com o llame a la línea de ayuda BLACK+DECKER al **55-5326-7100**

• GARANTÍA BLACK+DECKER • BLACK+DECKER WARRANTY • SOLAMENTE PARA PROPOSITOS DE MEXICO

Distributor Name · *Sello firma del distribuidor*

Date of purchase · *Fecha de compra*

Invoice No. · No. de factura

PRODUCT INFORMATION · IDENTIFICACIÓN DEL PRODUCTO

Cat. No. · *Catalogo ó Modelo*

Serial Number · No. de serie

Name · *Nombre*

Last Name · Apellido

Address · *Dirección*

City · *Ciudad*

State · Estado

Postal Code · *Código Postal*

Country · País

Telephone · *No. Teléfono*

2 AÑOS LIMITADO DE GARANTIA

Este producto cuenta con dos años de garantía a partir de la fecha de compra contra cualquier defecto de su funcionamiento, así como cualquier falla debido a materiales empleados para su fabricación ó mano de obra defectuosa.

Nuestra garantía incluye la reparación o reposición del producto y/o componentes sin cargo alguno para el cliente incluyendo la mano de obra, esta incluye los gastos de trasportación erogados para lograr cumplimiento de esta garantía en los domicilios diversos señalados.

Para hacer efectiva esta garantía deberá presentar su herramienta y esta póliza sellada por el establecimiento comercial donde se adquirió el producto.

Nos comprometemos a entregar el producto en un lapso no mayor a 30 días hábiles contados a partir de la fecha de recepción del mismo en nuestros talleres de servicio autorizados.

ESTA GARANTIA NO APLICA CUANDO:

El producto se hubiese utilizado en condiciones distintas a las normales.

El producto no hubiese sido operado de acuerdo con el instructivo de uso que se acompaña. El producto hubiese sido alterado o reparado por personas no autorizadas por nosotros.

Importador: BLACK+DECKER S.A. de C.V

Bosque de Cidros Acceso Radiatas No.42

3ra. Sección de Bosques de las lomas

C.P.05120, Mexico, D.F. Tel: (01 55) 5326 7100

Grupo Realsa en herramientas, S.A. de C.V.

Súper Manzana 69 MZ.01 Lote 30
(Av. Torcasita)
Col. Puerto Juárez
Cancún, Quintana Roo
Tel. 01 998 884 72 27

Ferre Pat de Puebla, S.A. de C.V.

16 de Septiembre No. 6149
Col. El Cerrito
Puebla, Puebla
Tel. 01 222 264 12 12

Ferre Pat de Puebla, S.A. de C.V.

Ejército Mexicano No. 15
Col. Ejido 1ro. de Mayo
Boca del Río, Veracruz
Tel. 01 229 167 89 89

Servicio de Fabrica BLACK+DECKER, S.A. de C.V.

Lázaro Cardenas No. 18
Col. Obrera
Distrito Federal
Tel. 55 88 95 02

Representaciones Industriales Robles, S.A. de C.V.

Tezozomoc No. 89
Col. La Preciosa
Distrito Federal
Tel. 55 61 86 82

Gpo. Comercial de Htas. y Refacciones de Occidente, S.A. de C.V.

Av. La Paz No. 1779
Col. Americana, S. Juaréz
Guadalajara, Jalisco
Tel. 01 33 38 25 69 78

Herramientas y Equipos Profesionales

Av. Colón 2915 Ote.
Col. Francisco I. Madero
Monterrey, Nvo. León
Tel. 01 81 83 54 60 06

Htas. Portátiles de Chihuahua, S.A. de C.V.

Av. Universidad No. 2903
Col. Fracc. Universidad
Chihuahua, Chihuahua
Tel. 01 614 413 64 04

Fernando González Armenta

Bolivia No. 605
Col. Felipe Carrillo Puerto
Cd. Madero, Tampico
Tel. 01 833 221 34 50

Perfiles y Herramientas de Morelia

Gertrudis Bocanegra No. 898
Col. Ventura Puente
Morelia, Michoacán
Tel. 01 443 313 85 50

Enrique Robles

Av. de la Solidaridad No. 12713
Col. La Pradera
Irapuato, Guanajuato
Tel. 01 462 626 67 39

Hernández Martínez Jeanette

Prolongación Corregidora Nte. No. 1104
Col. Arboledas
Querétaro, Qro.
Tel. 01 442 245 25 80

**PARA OTRAS LOCALIDADES LLAME
AL 01 800 847 2309 o 01 800 847 2312.**

BLACK+DECKER S.A. DE C.V.
BOSQUES DE CIDROS ACCESO RADIATAS NO. 42
COL. BOSQUES DE LAS LOMAS.
05120 MEXICO, D.F.
TEL. (01 55) 5326 7100
01 800 847 2309/01 800 847 2312

Free Manuals Download Website

<http://myh66.com>

<http://usermanuals.us>

<http://www.somanuals.com>

<http://www.4manuals.cc>

<http://www.manual-lib.com>

<http://www.404manual.com>

<http://www.luxmanual.com>

<http://aubethermostatmanual.com>

Golf course search by state

<http://golfingnear.com>

Email search by domain

<http://emailbydomain.com>

Auto manuals search

<http://auto.somanuals.com>

TV manuals search

<http://tv.somanuals.com>