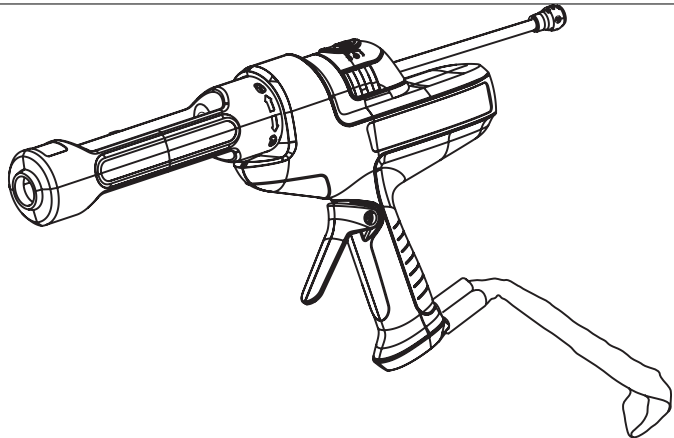


BLACK & DECKER®

CG100 - CORDLESS CAULK GUN

INSTRUCTION MANUAL



THANK YOU FOR CHOOSING BLACK & DECKER!
GO TO WWW.BLACKANDDECKER.COM/NEWOWNER
TO REGISTER YOUR NEW PRODUCT.

**BEFORE RETURNING THIS PRODUCT
FOR ANY REASON PLEASE CALL
1-800-544-6986**

BEFORE YOU CALL, HAVE THE CATALOG No. AND DATE CODE AVAILABLE. IN MOST CASES, A BLACK & DECKER REPRESENTATIVE CAN RESOLVE THE PROBLEM OVER THE PHONE. IF YOU HAVE A SUGGESTION OR COMMENT, GIVE US A CALL. YOUR FEEDBACK IS VITAL TO BLACK & DECKER.

SAVE THIS MANUAL FOR FUTURE REFERENCE. VEA EL ESPAÑOL EN LA CONTRAPORTADA.

INSTRUCTIVO DE OPERACIÓN, CENTROS DE SERVICIO Y PÓLIZA DE GARANTÍA. ADVERTENCIA: LÉASE ESTE INSTRUCTIVO ANTES DE USAR EL PRODUCTO.

Cat No. CG100 Form No. 90503222 (APR - 06) Copyright © 2006 Black & Decker Printed in China

⚠ GENERAL SAFETY RULES - FOR ALL BATTERY OPERATED TOOLS

⚠ **WARNING! READ AND UNDERSTAND ALL INSTRUCTIONS.** Failure to follow all instructions listed below, may result in electric shock, fire and/or serious personal injury.

SAVE THESE INSTRUCTIONS

Work Area

- **Keep your work area clean and well lit.** Cluttered benches and dark areas invite accidents.
- **Do not operate power tools in explosive atmospheres, such as in the presence of flammable liquids, gases, or dust.** Power tools create sparks which may ignite the dust or fumes.
- **Keep bystanders, children, and visitors away while operating a power tool.** Distractions can cause you to lose control.

Electrical Safety

- **Do not abuse the cord. Never use the cord to carry the tool. Keep cord away from heat, oil, sharp edges or moving parts. Replace damaged cords immediately.** Damaged cords may create a fire.
- **A battery operated tool with integral batteries or a separate battery pack must be recharged only with the specified charger for the battery.** A charger that may be suitable for one type of battery may create a risk of fire when used with another battery.
- **Use battery operated tool only with specifically designated battery pack.** Use of any other batteries may create a risk of fire.

Personal Safety

- **Stay alert, watch what you are doing and use common sense when operating a power tool. Do not use tool while tired or under the influence of drugs, alcohol, or medication.** A moment of inattention while operating power tools may result in serious personal injury.
- **Dress properly. Do not wear loose clothing or jewelry. Contain long hair. Keep your hair, clothing, and gloves away from moving parts.** Loose clothes, jewelry, or long hair can be caught in moving parts. Air vents cover moving parts and should be avoided.
- **Avoid accidental starting. Be sure switch is in the locked or off position before inserting battery pack.** Carrying tools with your finger on the switch or inserting the battery pack into a tool with the switch on invites accidents.
- **Remove adjusting keys or wrenches before turning the tool on.** A wrench or a key that is left attached to a rotating part of the tool may result in personal injury.
- **Do not overreach. Keep proper footing and balance at all times.** Proper footing and balance enable better control of the tool in unexpected situations.
- **Use safety equipment. Always wear eye protection.** Dust mask, non-skid safety shoes, hard hat, or hearing protection must be used for appropriate conditions.

Tool Use and Care

- **Use clamps or other practical way to secure and support the workpiece to a stable platform.** Holding the work by hand or against your body is unstable and may lead to loss of control.
- **Do not force tool. Use the correct tool for your application.** The correct tool will do the job better and safer at the rate for which it is designed.
- **Do not use tool if switch does not turn it on or off.** A tool that cannot be controlled with the switch is dangerous and must be repaired.
- **Disconnect battery pack from tool or place the switch in the locked or off position before making any adjustments, changing accessories, or storing the tool.** Such preventative safety measures reduce the risk of starting the tool accidentally.
- **Store idle tools out of reach of children and other untrained persons.** Tools are dangerous in the hands of untrained users.
- **When battery pack is not in use, keep it away from other metal objects like: paper clips, coins, keys, nails, screws or other small metal objects that can make a**

connection from one terminal to another. Shorting the battery terminals together may cause sparks, burns, or a fire.

- **Maintain tools with care. Keep cutting tools sharp and clean.** Properly maintained tools, with sharp cutting edge are less likely to bind and are easier to control.
- **Check for misalignment or binding of moving parts, breakage of parts, and any other condition that may affect the tool's operation. If damaged, have the tool serviced before using.** Many accidents are caused by poorly maintained tools.
- **Use only accessories that are recommended by the manufacturer for your model.** Accessories that may be suitable for one tool may create a risk of injury when used on another tool.

Service

- **Tool service must be performed only by qualified repair personnel.** Service or maintenance performed by unqualified personnel may result in a risk of injury.
- **When servicing a tool, use only identical replacement parts. Follow instructions in the Maintenance section of this manual.** Use of unauthorized parts or failure to follow Maintenance Instructions may create a risk of shock or injury.

⚠ Specific Safety Rules

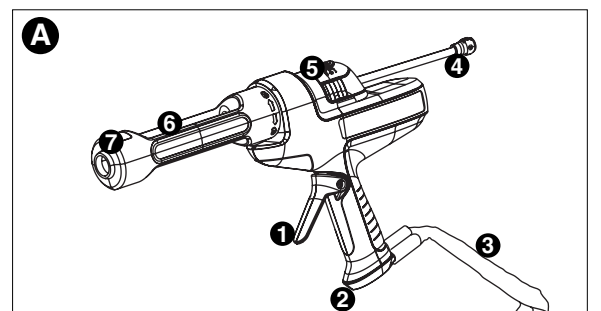
- **Hold tool by insulated gripping surfaces when performing an operation where the cutting tool may contact hidden wiring or its own cord.** Contact with a "live" wire will also make exposed metal parts of the tool "live" and shock the operator.
- **Keep hands out of the plunger and rod area of the caulk gun.** Fingers can be pinched between the tube holder and the plunger.
- **When operating caulk gun overhead, do not have plunger rod in the path of your eyes or head.** Plunger rod may slip back in direction of user. Always wear eye protection when using the caulk gun.
- **Always work in properly ventilated area and wear appropriate respiratory protection if necessary.** Fumes from some caulks and adhesives can be noxious.
- **Always read and follow the manufacturer's instructions on the caulk or adhesive tube.** Failure to do so may result in personal injury.

The label on your tool may include the following symbols.

V	volts	A	amperes
Hz	hertz	W	watts
min	minutes	~	alternating current
====	direct current	no	no load speed
□	Class II Construction	⊕	earthing terminal
⚠	safety alert symbol	.../min	revolutions or reciprocations per minute

FUNCTIONAL DESCRIPTION (FIGURE A)

1. Trigger
2. Battery Compartment
3. Lanyard
4. Plunger Rod
5. 2 Speed On/Off Switch
6. Caulk Carriage
7. Seal Poker (other side)



BATTERY INSTALLATION

Insure the on/off switch (5) is in the full off position by moving switch to "O" position. Open the battery compartment cover (2). Insert 4 fresh 1.5 volt AA batteries as shown in **figure B**, making sure to match (+) and (-) terminals correctly. Replace battery compartment cover.

⚠ **WARNING: Batteries can explode, or leak, and can cause injury or fire.** To reduce this risk:

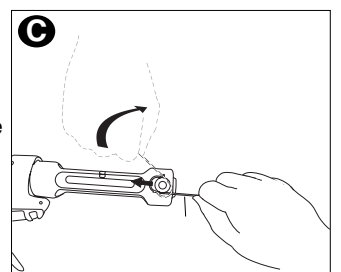
- Carefully follow all instructions and warnings on the battery label and package.
- Always insert batteries correctly with regard to polarity (+ and -), marked on the battery and the equipment.
- Do not short battery terminals.
- Do not charge batteries.
- Do not mix old and new batteries. Replace all of them at the same time with new batteries of the same brand and type.
- Remove dead batteries immediately and dispose of per local codes.
- Do not dispose of batteries in fire.
- Keep batteries out of reach of children.
- Remove batteries if the device will not be used for several months.

"Transporting batteries can possibly cause fires if the battery terminals inadvertently come in contact with conductive materials such as keys, coins, hand tools and the like. The US Department of Transportation Hazardous Material Regulations (HMR) actually prohibit transporting batteries in commerce or on airplanes (i.e. packed in suitcases and carryon luggage) UNLESS they are properly protected from short circuits. So when transporting individual batteries, make sure that the battery terminals are protected and well insulated from materials that could contact them and cause a short circuit."

ASSEMBLY

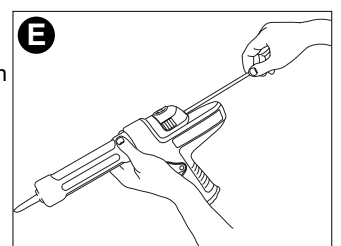
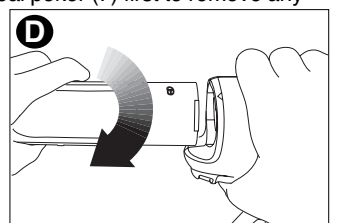
CAULK OR ADHESIVE TUBE PREPARATION

- Follow manufacturer's recommendation to suit the job. Cut the nozzle of the tube at an angle. The closer to the end of the nozzle that you make your cut, the narrower the opening will be. The smaller the opening the smaller the caulk bead.
- The seal poker (7) can be removed (or stay attached to caulk carriage) as shown in **figure C** and used to pierce the inner seal of the tube. Make sure that the seal is pierced. If not, the material may be forced out the rear of the gun. When using a partially depleted tube, insert the seal poker (7) first to remove any hardened material on the inside.



CAULK OR ADHESIVE TUBE INSTALLATION

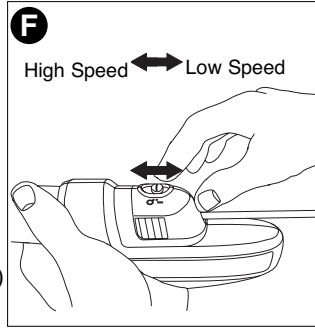
- Insure the on/off switch (5) is in the full off position by moving switch to "O" position.
- Remove the caulk carriage (6) by rotating it counterclockwise until arrow on tool is aligned with unlock image on caulk carriage. Pull caulk carriage straight out.
- Pull the plunger (4) back far enough to allow the tube to fit in the caulk carriage (6).
- Insert the caulk or adhesive tube into the caulk carriage. Make sure that the seal has been broken inside the caulk nozzle.
- Insert the caulk carriage into the main housing as shown in **figure D**. Confirm caulk carriage is aligned properly, then rotate carriage clockwise until arrow on tool is aligned with lock image on carriage.
- Push plunger rod forward until it rests against the back of the tube as shown in **figure E**.



OPERATING INSTRUCTIONS

Note: Before beginning a caulk or adhesive application, practice on a piece of scrap.

- Move switch to high speed position as shown in **figure F**.
- Pull trigger (1) to begin dispensing caulk or adhesive. Fully engage the trigger to the housing handle.
- As the caulk or adhesive begins to dispense from the tube, move the switch to low speed if more control of the material flow is desired.
- Continue to pull trigger at a consistent rate. (This is important and results in a more consistent bead of material.)
NOTE: Nozzle diameter, temperature and the type of caulk or adhesive being used will affect the flow rate.
- Release the trigger to stop dispensing caulk.
NOTE: Do not pick up caulk gun by tube carrier.



TROUBLESHOOTING

Problem	Possible Cause	Possible Solution
•Caulk is not coming out.	•Seal is not broken inside tube. •Caulk carriage not assembled properly. •Plunge rod not pushed forward. •Trigger not being pulled far enough back.	•Use seal poker on caulk gun to break seal. •Confirm that caulk carriage is aligned with lock image on gun. See section "Caulk or Adhesive Tube Installation" •Push plunge rod forward as far as it will go. •Fully engage trigger to housing handle.
•Unit will not run.	•Batteries inserted incorrectly. •Batteries need replacing. •Switch in "off" position.	•Make sure to match (+) and (-) terminals correctly. •Insert 4 fresh 1.5 volt AA batteries. •Move switch to either low speed or high speed.
•Caulk coming out too fast.	•Speed too high.	•Switch to slow speed. •For optimal performance always pull trigger at a consistent rate.
•Caulk coming out too slow.	•Speed too slow.	•Switch to high speed. •For optimal performance always pull trigger at a consistent rate.

For assistance with your product, visit our website www.blackanddecker.com for the location of the service center nearest you or call the BLACK & DECKER help line at **1-800-544-6986**.

MAINTENANCE

Use only mild soap and damp cloth to clean the tool. Never let any liquid get inside the tool; never immerse any part of the tool into a liquid.

IMPORTANT: To assure product SAFETY and RELIABILITY, repairs, maintenance and adjustment should be performed by authorized service centers or other qualified service personnel, always using identical replacement parts.

LUBRICATION

Black & Decker tools are properly lubricated at the factory and are ready for use.

ACCESSORIES

Recommended accessories for use with your tool are available from your local dealer or authorized service center. If you need assistance regarding accessories, please call:

1-800-544-6986. **CAUTION:** The use of any accessory or attachment not recommended may be hazardous.

SERVICE INFORMATION

All Black & Decker Service Centers are staffed with trained personnel to provide customers with efficient and reliable power tool service. Whether you need technical advice, repair, or genuine factory replacement parts, contact the Black & Decker location nearest you. To find your local service location, refer to the yellow page directory under "Tools—Electric" or call: **1-800-544-6986** or visit www.blackanddecker.com

FULL TWO-YEAR HOME USE WARRANTY

Black & Decker (U.S.) Inc. warrants this product for two years against any defects in material or workmanship. The defective product will be replaced or repaired at no charge in either of two ways.

The first, which will result in exchanges only, is to return the product to the retailer from whom it was purchased (provided that the store is a participating retailer). Returns should be made within the time period of the retailer's policy for exchanges (usually 30 to 90 days after the sale). Proof of purchase may be required. Please check with the retailer for their specific return policy regarding returns that are beyond the time set for exchanges.

The second option is to take or send the product (prepaid) to a Black & Decker owned or authorized Service Center for repair or replacement at our option. Proof of purchase may be required. Black & Decker owned and authorized Service Centers are listed under "Tools-Electric" in the yellow pages of the phone directory.

This warranty does not apply to accessories. This warranty gives you specific legal rights and you may have other rights which vary from state to state or province to province. Should you have any questions, contact the manager of your nearest Black & Decker Service Center. This product is not intended for commercial use.

FREE WARNING LABEL REPLACEMENT: If your warning labels become illegible or are missing, call **1-800-544-6986** for a free replacement.

Imported by
Black & Decker (U.S.) Inc.,
701 E. Joppa Rd.
Towson, MD 21286 U.S.A.



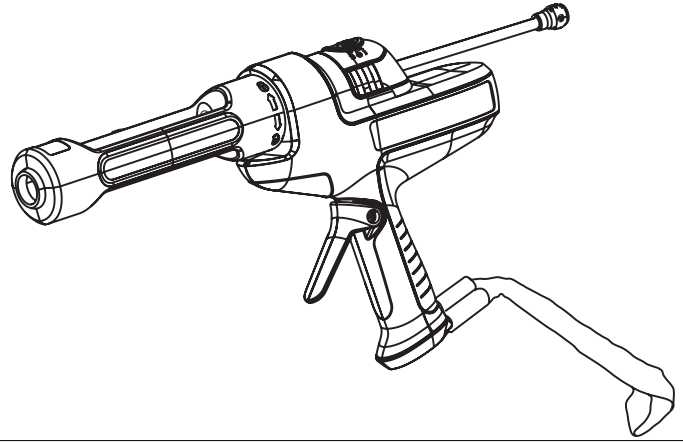
See 'Tools-Electric'
- Yellow Pages -
for Service & Sales



BLACK & DECKER®

CG100 - Pistolet à calfeutrer sans fil

MODE D'EMPLOI



MERCI D'AVOIR CHOISI BLACK & DECKER !
VISITEZ www.BLACKANDDECKER.COM/NEWOWNER
POUR ENREGISTRER VOTRE NOUVEAU PRODUIT.

AVANT DE RETOURNER CE PRODUIT POUR QUELQUE RAISON QUE CE SOIT, COMPOSER LE

1-800-544-6986

AVANT D'APPELER, AYEZ EN MAIN LE N° DE CATALOGUE ET LE CODE DE DATE. DANS LA PLUPART

DES CAS, UN REPRÉSENTANT DE BLACK & DECKER PEUT RÉSOUDRE LE PROBLÈME PAR

TÉLÉPHONE. SI VOUS AVEZ UNE SUGGESTION OU UN COMMENTAIRE, APPELÉZ-NOUS. VOS

IMPRESSIONS SONT CRUCIALES POUR BLACK & DECKER.

CONSERVER CE MANUEL POUR UN USAGE ULTÉRIEUR.

⚠ IMPORTANTES MESURES DE SÉCURITÉ - POUR TOUS LES OUTILS ALIMENTÉS PAR PILES

⚠ **AVERTISSEMENT! LIRE ET COMPRENDRE TOUTES LES DIRECTIVES.** Le non-respect de toutes les directives suivantes présente des risques de secousses électriques, d'incendie ou de blessures graves.

CONSERVER CES MESURES.

Zone de travail

- **S'assurer que la zone de travail est propre et bien éclairée.** Des établis encombrés et des endroits sombres présentent des risques d'accidents.
- **Ne pas utiliser des outils électriques en présence de vapeurs explosives (comme celles dégagées par des liquides, des gaz ou des poussières inflammables).** Les étincelles générées par le moteur des outils électriques peuvent enflammer les poussières ou les vapeurs.
- **Éloigner les curieux, les enfants et les visiteurs de la zone de travail lorsqu'on utilise un outil électrique.** Une distraction peut entraîner la perte de maîtrise de l'outil.

Mesures de sécurité relatives à l'électricité

- **Manipuler le cordon avec soin. Ne jamais se servir du cordon afin de transporter l'outil ni tirer sur le cordon pour débrancher l'outil. Éloigner le cordon des sources de chaleur, des flaques d'huile, des arêtes tranchantes et des pièces mobiles. Remplacer immédiatement les cordons endommagés.** Les cordons endommagés augmentent les risques de secousses électriques.
- **Il faut charger un outil à piles intégrées ou un ensemble de piles seulement dans le chargeur conçu à cet effet.** Un chargeur convenant pour un type de piles peut présenter un risque d'incendie lorsqu'on s'en sert avec un autre type de piles.
- **Utiliser un outil alimenté par piles seulement avec la pile appropriée.** L'utilisation de toute autre pile présente des risques d'incendie.

Sécurité personnelle

- **Demeurer vigilant, prendre soin et faire preuve de jugement lorsqu'on utilise un outil électrique. Ne pas s'en servir lorsqu'on est fatigué ou affaibli par des drogues, de l'alcool ou des médicaments.** De graves blessures peuvent résulter d'un moment d'inattention lors de l'utilisation d'un outil électrique.
- **Porter des vêtements appropriés. Éviter de porter des vêtements amples ou des bijoux. Recouvrir la chevelure si elle est longue. Éloigner les cheveux, les vêtements et les gants des pièces en mouvement qui peuvent les happer.**
- **Éviter les démarrages accidentels. S'assurer que l'interrupteur est en position hors tension avant d'insérer la pile.** Afin d'éviter les risques de blessures, ne pas transporter l'outil avec le doigt sur l'interrupteur ni insérer la pile dans un outil dont l'interrupteur est en position sous tension.
- **Enlever les clés de réglage avant de mettre l'outil sous tension.** Une clé qui est laissée sur une pièce rotative de l'outil présente des risques de blessures.
- **Ne pas dépasser sa portée. Garder son équilibre en tout temps.** On s'assure d'une meilleure maîtrise de l'outil dans des situations imprévues grâce à une position stable et un bon équilibre.
- **Porter de l'équipement de sécurité. Toujours porter des lunettes de sécurité.** Dans certaines conditions, il faut porter des masques respiratoires, des chaussures antidérapantes, un casque de sécurité ou des protège-tympans.

Utilisation et entretien de l'outil

- **Utiliser des pinces de serrage ou de tout autre moyen pratique afin de fixer et de soutenir la pièce à ouvrir sur une plate-forme stable.** La pièce est instable lorsqu'elle est retenue par la main ou le corps de l'utilisateur. Cela présente des risques de perte de maîtrise de l'outil.
- **Ne pas forcer l'outil. Utiliser l'outil approprié à la tâche.** L'outil approprié fonctionne mieux et sûrement lorsqu'on s'en sert à son rendement nominal.
- **Ne pas se servir de l'outil lorsque l'interrupteur est défectueux.** Le cas échéant, l'outil est dangereux et il faut le réparer.
- **Enlever la pile de l'outil ou placer celui-ci en position hors tension avant de le régler, d'en remplacer les accessoires ou de le ranger.** On minimise de la sorte le risque de démarrage accidentel de l'outil.
- **Ranger l'outil hors de portée des enfants et de toute autre personne qui n'en connaît pas le fonctionnement.** L'outil est dangereux entre les mains de ces personnes.

- Lorsque la pile ne sert pas, l'éloigner de tout objet métallique (comme des trombones, des pièces de monnaie, des clés, des clous, des vis ou tout autre petit objet métalliques qui peut créer une connexion d'une borne à l'autre). Lorsque les bornes sont court-circuitées, cela peut générer des étincelles, des brûlures ou un incendie.
- Prendre soin des outils. S'assurer que les outils de coupe sont tranchants et propres. Des outils bien entretenus à arêtes tranchantes ont moins tendance à se coincer et ils se maîtrisent mieux.
- Vérifier l'alignement et les attaches des pièces mobiles, le degré d'usure des pièces ainsi que tout autre facteur susceptible de nuire au bon fonctionnement de l'outil. Faire réparer un outil endommagé avant de s'en servir. Des outils mal entretenus sont la cause de nombreux accidents.
- Utiliser seulement les accessoires recommandés par le fabricant. Des accessoires qui conviennent à un outil peuvent présenter des risques avec un autre outil.

Entretien

- Confier l'entretien de l'outil seulement à du personnel qualifié. Le non-respect de la présente directive présente des risques de blessures.
- Lors de l'entretien de l'outil, utiliser seulement des pièces de rechange identiques. Respecter les consignes relatives à l'entretien du présent guide d'utilisation. Il y a un risque de secousses électriques ou de blessures lorsqu'on utilise des pièces non autorisées ou lorsqu'on ne respecte pas les consignes relatives à l'entretien.

⚠ Règles de sécurité spécifiques

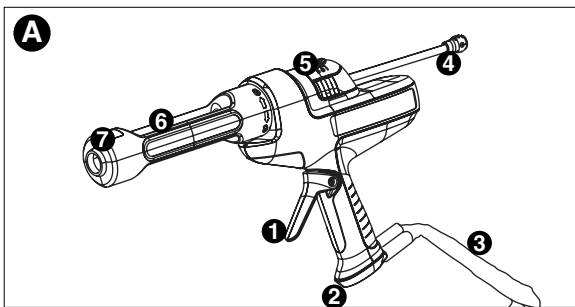
- Saisir l'outil par ses surfaces de prises isolées lorsque l'outil peut entrer en contact avec des fils cachés. En cas de contact avec un fil sous tension, les pièces métalliques de l'outil seront sous tension et l'utilisateur subira des secousses électriques.
- Éloigner vos mains de la section qui loge le piston et la tige du pistolet à calfeutrer. Les doigts risquent de se pincer entre le porte-cartouche et le piston.
- Lors de l'utilisation du pistolet à calfeutrer au-dessus de la tête, ne pas diriger la tige du piston en direction des yeux ou de la tête. La tige du piston risquerait de glisser vers l'arrière en direction de l'utilisateur. Toujours porter une protection oculaire lors de l'utilisation du pistolet à calfeutrer.
- Toujours travailler dans un endroit correctement ventilé et porter un appareil respiratoire adéquat le cas échéant. Les vapeurs qui s'échappent de certains matériaux d'étanchéité et adhésifs sont parfois nocives.
- Toujours lire et se conformer aux directives du fabricant apposées sur les cartouches de matériau d'étanchéité ou d'adhésif. Négliger de se conformer à cette mesure pourrait être la cause de blessures corporelles.

L'étiquette de l'outil peut comporter les symboles suivants.

V	volts	A	ampères
Hz	hertz	W	watts
min	minutes	~	courant alternatif
====	courant continu	n ₀	sous vide
☐	Construction de classe II	⊕	borne de mise à la minute
⚠	symbole d'avertissement	.../min	tours ou courses à la minute

Description fonctionnelle (FIGURE A)

1. Détente
2. Logement des piles
3. Cordon
4. Tige du piston
5. Commutateur Marche/Arrêt à deux vitesses
6. Porte-cartouche
7. Aiguille (de l'autre côté)



INSTALLATION DES PILES

S'assurer que l'interrupteur marche/arrêt (5) est entièrement en position d'arrêt en déplaçant l'actionneur de l'interrupteur à la position « O ». Ouvrir le couvercle (2) du logement des piles. Insérer quatre nouvelles piles AA de 1,5 volts comme indiqué à la figure B. Respecter la polarité (+, -) des bornes. Remettre le couvercle du logement des piles.

⚠ **AVERTISSEMENT** : les piles peuvent exploser ou couler et provoquer des blessures ou un incendie. Pour réduire ce risque :

- Suivre attentivement toutes les directives et avertissements figurant sur l'étiquette des piles et de l'emballage de l'appareil.
- Toujours insérer les piles selon la polarité correcte (+ et -), comme indiqué sur les piles et le matériel.
- Ne pas créer de court-circuit dans les bornes des piles.
- Ne pas charger les piles.
- Ne pas mélanger piles neuves et usagées. Les remplacer toutes en même temps par des piles neuves de la même marque et du même type.
- Retirer immédiatement les piles déchargées et les éliminer en fonction de la réglementation locale en vigueur.
- Ne pas jeter les piles dans un feu.
- Garder les piles hors de la portée des enfants.
- Retirer les piles si l'appareil n'est pas utilisé pendant plusieurs mois.

Le transport des piles peut causer un incendie si les bornes des piles entrent en contact involontairement avec des matières conductrices comme des clés, de la monnaie, des outils manuels et d'autres éléments semblables. La Hazardous Material Regulation du département américain des transports interdit en fait le transport des piles pour le commerce ou dans les avions (par ex. : piles emballées dans des valises et des bagages à main) À MOINS qu'elles soient bien protégées contre les courts-circuits. Pour le transport de piles individuelles, s'assurer que les bornes sont protégées et bien isolées contre toute matière pouvant entrer en contact avec elles et causer un court-circuit.

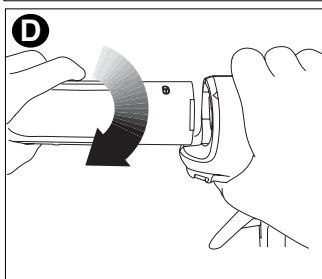
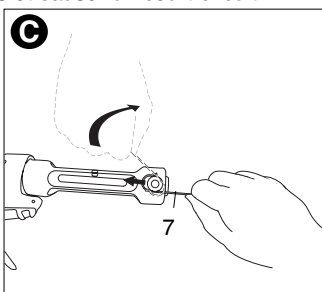
Assemblage

PRÉPARATION DE LA CARTOUCHE DE MATÉRIAU D'ÉTANCHÉITÉ OU D'ADHÉSIF

- Suivre les recommandations du fabricant pour l'application du produit approprié sur une surface adéquate. Couper le bec de la cartouche en biseau. Une coupe près de la pointe du bec produira une petite ouverture de laquelle sortira un petit trait de produit de calfeutrage.
- Il est possible d'enlever l'aiguille (7) (ou de la laisser accrochée au porte-cartouche) comme indiqué à la figure C. L'aiguille s'utilise pour percer le sceau interne de la cartouche. S'assurer que le sceau soit perforé. Sinon, le matériau risque de sortir par l'arrière du pistolet. Lors de l'utilisation d'une cartouche partiellement vide, insérer d'abord l'aiguille (7) pour retirer tout matériau durci à l'intérieur.

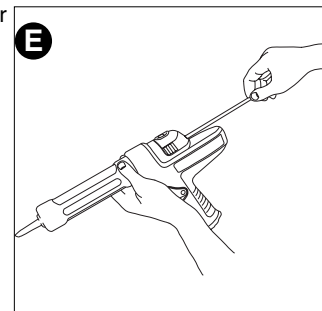
INSTALLATION DE LA CARTOUCHE DE MATÉRIAU D'ÉTANCHÉITÉ OU D'ADHÉSIF

- S'assurer que l'interrupteur marche/arrêt (5) est entièrement en position d'arrêt en déplaçant l'actionneur de l'interrupteur à la position « O ».
- Pour dégager le porte-cartouche (6), le tourner en sens antihoraire jusqu'à ce que la flèche sur l'outil s'aligne avec



l'image du verrou ouvert du porte-cartouche. Tirer droit sur ce dernier.

- Repousser le piston (4) assez loin pour introduire la cartouche dans le porte-cartouche (6).
- Insérer la cartouche de matériau de calfeutrage ou d'adhésif. S'assurer que le sceau interne de la cartouche soit perforé.
- Assembler le porte-cartouche avec le boîtier principal comme indiqué à la figure D. Vérifier que le porte-cartouche soit aligné correctement puis tourner le porte-cartouche en sens horaire jusqu'à ce que la flèche sur l'outil s'aligne avec le symbole du verrou du porte-cartouche.
- Appuyer sur la tige du piston jusqu'à ce que celui-ci repose contre l'extrémité de la cartouche comme indiqué à la figure E.

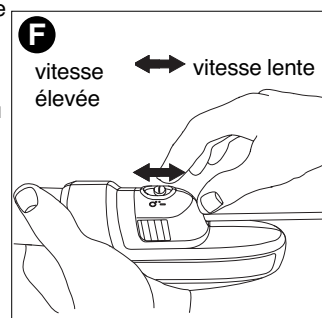


Mode d'emploi

Remarque : avant d'appliquer du matériau d'étanchéité ou de l'adhésif, pratiquer sur une pièce de chute.

- Déplacer l'interrupteur à la position de vitesse élevée comme indiqué à la figure F.
- Appuyer sur la gâchette (1) pour faire sortir un peu de pâte ou d'adhésif. Puis l'enfoncer jusqu'au boîtier de la poignée.
- Dès que le matériau sort du bec de la cartouche, déplacer l'interrupteur en position de vitesse lente pour mieux maîtriser l'écoulement de matériau.
- Appuyer toujours sur la gâchette à une pression constante (la pression constante est importante. En effet, elle permet la formation d'un trait de pâte régulier). **REMARQUE** : le diamètre du trou du bec et le type de matériau de calfeutrage ou d'adhésif utilisé influenceront l'écoulement du matériau.
- Relâcher la gâchette pour arrêter l'application de matériau.

REMARQUE : ne pas transporter le pistolet à calfeutrer par le porte-cartouche.



DÉPANNAGE

Problème	Cause possible	Solution possible
•Le matériau de calfeutrage refuse de sortir.	•Le sceau interne de la cartouche est intact. •Le porte-cartouche n'est pas correctement assemblé.	•Utiliser l'aiguille du pistolet à calfeutrer pour briser le sceau. •Vérifier si le porte-cartouche est bien aligné avec le symbole de verrou du pistolet. Consulter la rubrique « Installation de la cartouche de matériau d'étanchéité ou d'adhésif » •Enfoncer la tige du piston aussi loin que possible. •Enfoncer la gâchette complètement pour qu'elle touche le boîtier de la poignée. •S'assurer de respecter la polarité (+ et -) des bornes. •Insérer quatre nouvelles piles AA de 1,5 volts. •Déplacer l'interrupteur en position de vitesse élevée ou lente.
•L'outil refuse de démarrer.	•La tige du piston n'avance pas. •La gâchette n'est pas assez reculée.	•Enfoncer la tige du piston aussi loin que possible. •Enfoncer la gâchette complètement pour qu'elle touche le boîtier de la poignée. •S'assurer de respecter la polarité (+ et -) des bornes. •Insérer quatre nouvelles piles AA de 1,5 volts. •Déplacer l'interrupteur en position de vitesse élevée ou lente.
•Le matériau de calfeutrage sort trop rapidement.	•La vitesse est trop élevée.	•Mettre l'interrupteur en vitesse lente. •Pour optimiser l'application en foncer toujours la gâchette à pression constante.
•Le matériau de calfeutrage sort trop lentement.	•La vitesse est trop lente.	•Mettre l'interrupteur en vitesse élevée. •Pour optimiser l'application en foncer toujours la gâchette à pression constante.

Pour de l'aide avec l'outil, consulter notre site Web www.blackanddecker.com pour l'emplacement du centre de réparation le plus près ou communiquer avec l'assistance BLACK & DECKER au 1-800-544-6986.

Entretien

N'utiliser qu'un détergent doux et un chiffon humide pour nettoyer l'outil. Ne jamais laisser de liquide pénétrer dans l'outil et n'immerger aucune partie de l'outil dans un liquide.

IMPORTANT : pour assurer la SÉCURITÉ des personnes et la FIABILITÉ du produit, toute réparation, entretien ou réglage doit être réalisé par un centre de réparation autorisé ou autre personnel qualifié, et des pièces de rechange identiques doivent être utilisées.

Lubrification

Les outils Black & Decker sont correctement graissés en usine et sont prêts à l'emploi.

Accessoires

Les accessoires recommandés pouvant être utilisés avec l'outil sont disponibles auprès de votre distributeur local ou centre de réparation autorisé. Pour tout renseignement concernant les accessoires, composer le : 1-800-544-6986 ⚠ **MISE EN GARDE** : l'utilisation de tout autre accessoire ou pièce non recommandé(e) avec cet outil pourrait s'avérer dangereuse.

INFORMATION SUR LES RÉPARATIONS

Tous les centres de réparation Black & Decker sont dotés de personnel qualifié en matière d'outillage électrique; ils sont donc en mesure d'offrir à leur clientèle un service efficace et fiable. Que ce soit pour un avis technique, une réparation ou des pièces de rechange authentiques installées en usine, communiquer avec l'établissement Black & Decker le plus près de chez vous. Pour trouver l'établissement de réparation de votre région, consulter le répertoire des Pages jaunes à la rubrique « Outils électriques » ou composer le numéro suivant : 1-800-544-6986 ou consulter le site www.blackanddecker.com

GARANTIE COMPLÈTE DE DEUX ANS POUR UNE UTILISATION DOMESTIQUE

Black & Decker (É.-U.) Inc. garantit ce produit pour une durée de deux ans contre tout défaut de matériau ou de fabrication. Le produit défectueux sera remplacé ou réparé sans frais de l'une des deux façons suivantes :

La première façon consiste en un simple échange chez le détaillant qui l'a vendu (pourvu qu'il s'agisse d'un détaillant participant). Tout retour doit se faire durant la période correspondant à la politique d'échange du détaillant (habituellement, de 30 à 90 jours après l'achat). Une preuve d'achat peut être requise. Vérifier auprès du détaillant pour connaître sa politique concernant les retours hors de la période définie pour les échanges.

La deuxième option est d'apporter ou d'envoyer le produit (transport payé d'avance) à un centre de réparation autorisé ou à un centre de réparation de Black & Decker pour faire réparer ou échanger le produit, à notre discrétion. Une preuve d'achat peut être requise. Les centres Black & Decker et les centres de service autorisés sont répertoriés dans les pages jaunes, sous la rubrique « Outils électriques ».

Cette garantie ne s'applique pas aux accessoires. Cette garantie vous accorde des droits légaux spécifiques et vous pourriez avoir d'autres droits qui varient d'un État ou d'une province à l'autre. Pour toute question, communiquer avec le directeur du centre de réparation Black & Decker le plus près de chez vous. Ce produit n'est pas destiné à un usage commercial.

REPLACEMENT GRATUIT DES ÉTIQUETTES D'AVERTISSEMENT : si les étiquettes d'avertissement deviennent illisibles ou sont manquantes, composer le 1-800-544-6986 pour en obtenir le remplacement gratuit.

Imported by / Importé par
Black & Decker Canada Inc.
100 Central Ave.
Brockville (Ontario) K6V 5W6

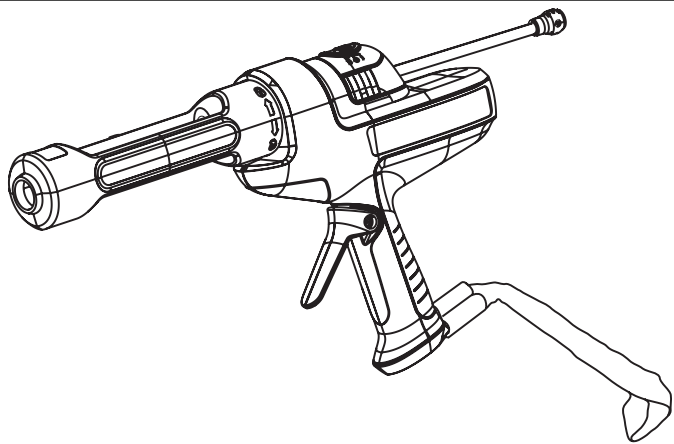
Voir la rubrique "Outils électriques"
des Pages Jaunes
pour le service et les ventes.



BLACK & DECKER®

Pistola para masilla inalámbrica - CG100

MANUAL DE INSTRUCCIONES



¡GRACIAS POR ELEGIR BLACK & DECKER!
VAYA A WWW.BLACKANDDECKER.COM/NEWOWNER
PARA REGISTRAR SU NUEVO PRODUCTO.

**ANTES DE DEVOLVER ESTE PRODUCTO POR
CUALQUIER MOTIVO, LLAME AL
(55)5326-7100**

ANTES DE LLAMAR, TENGA EL NÚMERO DE CATÁLOGO Y EL CÓDIGO DE FECHA PREPARADOS. EN LA MAYORÍA DE LOS CASOS, UN REPRESENTANTE DE BLACK & DECKER PUEDE RESOLVER EL PROBLEMA POR TELÉFONO. SI DESEA REALIZAR UNA SUGERENCIA O COMENTARIO, LLÁMENOS. SU OPINIÓN ES FUNDAMENTAL PARA BLACK & DECKER.

CONSERVE ESTE MANUAL PARA FUTURAS CONSULTAS.

- ⚠ **REGLAS GENERALES DE SEGURIDAD - PARA TODAS LAS HERRAMIENTAS OPERADAS CON BATERÍAS**
- ⚠ **¡ADVERTENCIA! LEA Y COMPRENDA TODAS LAS INSTRUCCIONES.** No hacerlo puede originar riesgos de choque eléctrico, incendio y lesiones personales de gravedad.

CONSERVE ESTAS INSTRUCCIONES

Área de trabajo

- **Conserve su área de trabajo limpia y bien iluminada.** Las bancas amontonadas y las zonas oscuras propician los accidentes.
- **No opere herramientas eléctricas en atmósferas explosivas, como en presencia de líquidos, gases o polvos inflamables.** Las herramientas eléctricas producen chispas que pueden originar la ignición de los polvos o los vapores.
- **Conserve a observadores, niños y visitantes alejados mientras opera una herramienta eléctrica.** Las distracciones pueden ocasionar que pierda el control.

Seguridad eléctrica

- **No maltrate el cable. Nunca utilice el cable para transportar la herramienta. Conserve el cable alejado de calor, aceite, bordes afilados o piezas móviles. Reemplace inmediatamente los cables dañados.** Los cables dañados pueden originar incendio.
- **Una herramienta de baterías con baterías integradas o por separado debe recargarse únicamente con el cargador especificado para esas baterías.** Un cargador que pueda adecuarse a un tipo de batería puede crear riesgos de incendio cuando se emplea con otra batería.
- **Utilice su herramienta de baterías únicamente con la batería especialmente diseñada para ella.** El empleo de otras baterías puede crear riesgos de incendio.

Seguridad personal

- **Esté alerta, concéntrese en lo que está haciendo. Recurra al sentido común cuando opere una herramienta eléctrica.** No opere ninguna herramienta si se encuentra fatigado o bajo la influencia de drogas, alcohol o medicamentos. Un momento de desatención mientras se operan herramientas eléctricas puede ocasionar lesiones graves.
- **Vístase de manera adecuada. No tenga puestas ropas o artículos de joyería flojos. Cubra su cabello si lo tiene largo.** Conserve su cabello, sus ropas y guantes alejados de las piezas móviles. Las piezas de vestir flojas, las joyas y el cabello largo pueden resultar atrapados por las piezas móviles.
- **Evite el encendido accidental.** Asegúrese que el interruptor esté en posición de apagado antes de instalar la batería. Sostener una batería con el dedo en el interruptor o conectarla sin fijarse si el interruptor está en posición de encendido propicia los accidentes.
- **Retire las llaves de ajuste antes de encender la herramienta.** Una llave que se deja en una pieza giratoria puede ocasionar lesiones personales.
- **No se sobreextienda. Conserve siempre los pies bien apoyados, al igual que el equilibrio.** La posición correcta de los pies y el equilibrio permiten controlar mejor la herramienta en situaciones inesperadas.
- **Utilice equipo de seguridad. Siempre utilice protección en los ojos.** Se deben utilizar mascarillas contra polvo, zapatos antiderrapantes, casco o protectores para los oídos para tener las condiciones apropiadas.

Uso y cuidados de la herramienta

- **Utilice prensas u otros medios prácticos para asegurar y apoyar la pieza de trabajo en una plataforma estable.** Sujetar las piezas con la mano o contra su cuerpo es inestable y puede originar la pérdida de control.
- **No fuerce la herramienta. utilice la herramienta adecuada para su aplicación.** La herramienta adecuada hará mejor el trabajo y de manera más segura bajo las especificaciones para las que se diseñó.
- **No utilice la herramienta si el interruptor no enciende y apaga.** Cualquier herramienta que no pueda controlarse por medio del interruptor es peligrosa y debe repararse.
- **Desconecte la batería de la herramienta o coloque el interruptor en posición de apagado antes de hacer cualquier ajuste, cambio de accesorios o de guardar la herramienta.** Tales medidas de seguridad preventivas reducirán el riesgo de que la herramienta se encienda accidentalmente.

- **Guarde las herramientas fuera del alcance de los niños y de otras personas no capacitadas.** Las herramientas son peligrosas en manos de personas no capacitadas.
- **Cuando no utilice la batería consérvela alejada de objetos metálicos como: clips, monedas, llaves, clavos, tornillos y otras piezas de metal que puedan establecer una conexión entre una terminal y otra.** Hacer corto en las terminales de la batería puede ocasionar chispas, quemaduras o incendios.
- **Cuide sus herramientas. Conserve las herramientas de corte afiladas y limpias.** Las herramientas que reciben un mantenimiento adecuado, con piezas de corte afiladas, difícilmente se atascan y son más fáciles de controlar.
- **Verifique la alineación de las piezas móviles, busque fracturas en las piezas y cualesquiera otras condiciones que puedan afectar la operación de las herramientas.** Si está dañada, lleve su herramienta a servicio antes de usarla de nuevo. Muchos accidentes se deben a herramientas con mantenimiento pobre.
- **Solamente use accesorios que el fabricante recomiende para su modelo de herramienta.** Los accesorios que estén diseñados para una herramienta, pueden volverse peligrosos cuando se emplean con otra.

Servicio

- **El servicio a las herramientas lo debe efectuar únicamente personal calificado.** El servicio o mantenimiento realizado por personal no calificado puede originar riesgos de lesiones.
- **Cuando efectúe servicio a una herramienta, utilice únicamente refacciones idénticas.** Siga las instrucciones de la sección de Mantenimiento de este manual. El empleo de piezas no autorizadas o no seguir las instrucciones de mantenimiento puede originar riesgos de choque eléctrico o lesiones.

⚠ Normas de seguridad específicas

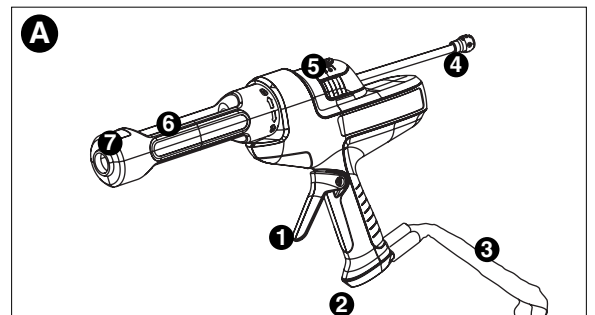
- **Sujete la herramienta por las superficies aislantes cuando realice una operación en que la herramienta pueda hacer contacto con cableados ocultos.** Al hacer contacto con un cable "vivo", las partes metálicas de la herramienta se vuelven "vivas" y pueden originar un choque al operador.
- **Mantenga las manos alejadas del área del pistón y la varilla de la pistola para masilla.** Puede pellizcar sus dedos entre el soporte del tubo y el pistón.
- **Cuando maneje la pistola para masilla por sobre la cabeza, no coloque el pistón en dirección a la cabeza o a los ojos.** La varilla del pistón puede resbalarse en dirección al usuario. Cuando use la pistola para masilla, utilice siempre protección para los ojos.
- **Siempre trabaje en un área bien ventilada y use protección respiratoria adecuada si es necesario.** Los vapores de algunas masillas y adhesivos pueden ser nocivos.
- **Siempre lea y siga las instrucciones del fabricante que aparecen en el tubo de masilla o adhesivo.** El incumplimiento de esta instrucción podría provocar daños personales.

La etiqueta de su herramienta puede incluir los siguientes símbolos.

V	volts	A	amperes
Hz	hertz	W	watts
min	minutos	~	corriente alterna
— — —	corriente directa	no	velocidad sin carga
☐	construcción clase II	⊕	terminales de conexión a tierra
⚠	símbolo de alerta seguridad	.../min	revoluciones o reciprocaciones por minuto

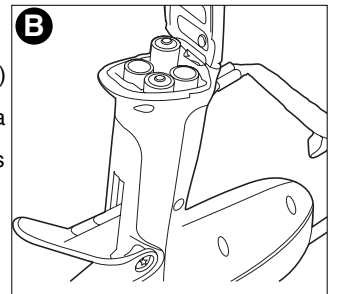
DESCRIPCIÓN FUNCIONAL (FIGURA A)

1. Disparador
2. Compartimiento para la batería
3. Cordón de seguridad
4. Varilla del pistón
5. Interruptor de encendido/apagado de dos velocidades
6. Carro para masilla
7. Obturador de sello (el otro lado)



INSTALACIÓN DE LA BATERÍA

Asegúrese de que el interruptor de encendido/apagado (5) esté en la posición de apagado moviendo el interruptor a la posición "O". Abra la cubierta del compartimiento para la batería (2). Coloque 4 baterías AA nuevas de 1,5 voltios como se muestra en la figura B, asegurándose de que los terminales (+) y (-) coincidan correctamente. Vuelva a colocar la tapa del compartimiento de las baterías.



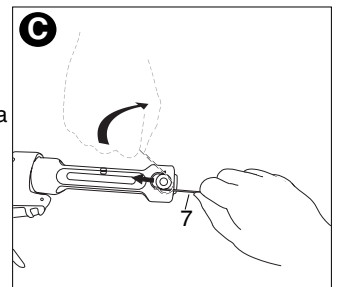
⚠ ADVERTENCIA: Las baterías pueden explotar o tener pérdidas y pueden provocar lesiones o incendios.

- Para disminuir este riesgo:
- Siga cuidadosamente todas las instrucciones y las advertencias de la etiqueta y el envase de la batería.
 - Introduzca siempre las baterías correctamente respetando la polaridad (+ y -) indicada en la batería y en el equipo.
 - No produzca un cortocircuito con los terminales de la batería.
 - No cargue las baterías.
 - No mezcle baterías nuevas y viejas. Reemplácelas todas al mismo tiempo por baterías nuevas de la misma marca y tipo.
 - Retire todas las baterías agotadas inmediatamente y elimínelas de acuerdo con los códigos locales.
 - No arroje las baterías al fuego.
 - Mantenga las baterías fuera del alcance de los niños.
 - Retire las baterías si el aparato no se va a usar durante varios meses.
- "Transportar baterías puede provocar incendios si los terminales de la batería entran en contacto accidentalmente con materiales conductores como llaves, monedas, herramientas de mano u objetos similares. Las Normas para Materiales Peligrosos del Departamento de Transporte de Estados Unidos (HMR) en realidad prohíben transportar baterías comercialmente o en aeroplanos (es decir, empacadas en valijas y equipaje de mano) A MENOS que estén protegidas correctamente de cortocircuitos. Por lo tanto, cuando transporte baterías individuales, asegúrese de que los terminales de la batería están protegidos y bien aislados de materiales que puedan hacer contacto y causar un cortocircuito".

Ensamblaje

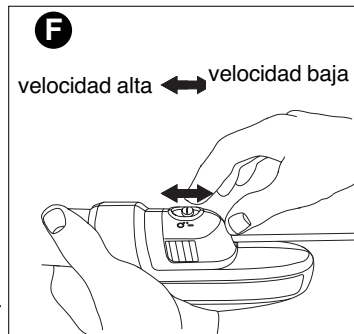
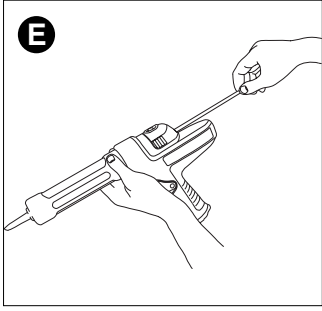
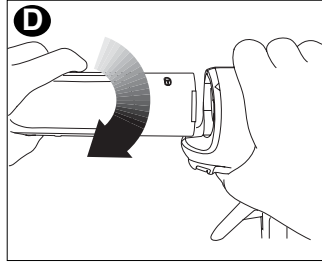
PREPARACIÓN DEL TUBO DE ADHESIVO O MASILLA

- Siga las recomendaciones del fabricante para realizar la tarea. Corte la boquilla del tubo en ángulo. Cuanto más cerca del extremo de la boquilla realice el corte, más angosto será el orificio de abertura. Cuanto más pequeña la abertura, más pequeña será la moldura de la masilla.
- El obturador de sello (7) se puede quitar (o permanecer conectado al carro para masilla), como se muestra en el figura C, y se puede utilizar para agujerear el sello interno del tubo. Asegúrese de que el sello esté perforado. De no estarlo, el material se puede escapar por la parte trasera de la pistola. Cuando use un tubo parcialmente vacío, inserte primero el obturador de sello (7) para eliminar todo resto de material endurecido en el interior.



INSTALACIÓN DEL TUBO DE ADHESIVO O MASILLA

- Asegúrese de que el interruptor de encendido/apagado (5) esté en la posición de apagado moviendo el interruptor a la posición "O".
- Retire el soporte de la masilla (6) girándolo en sentido contrario a las agujas del reloj hasta que la flecha de la herramienta se alinee con la figura de desbloqueo del soporte de la masilla. Extraiga el soporte de la masilla.
- Tire hacia atrás el pistón (4) lo suficiente como para permitir que el tubo encaje en el carro para masilla (6).
- Introduzca el tubo de adhesivo o masilla en el carro para masilla. Asegúrese de que el sello dentro de la boquilla para la masilla esté roto.
- Introduzca el carro para masilla en el armazón principal como se muestra en la **figura D**. Asegúrese de que el carro para masilla esté correctamente alineado y luego gírelo en el sentido de las agujas del reloj hasta que la flecha en la herramienta esté alineada con la imagen de bloqueo en el carro.
- Empuje la varilla del pistón hacia adelante hasta que se apoye contra la parte posterior del tubo, como se muestra en la **figura E**.



Instrucciones de operación

- Nota: Antes de realizar una aplicación de masilla o adhesivo, practique sobre una pieza de material desechable.
- Mueva el interruptor a la posición de velocidad alta, como se muestra en la figura F.
 - Presione el disparador (1) para comenzar a dispensar masilla o adhesivo. Ajuste completamente el disparador al mango de la cubierta.
 - Si desea un mayor control del flujo de material a medida que el adhesivo o la masilla comienza a dispensarse desde el tubo, mueva el interruptor a la velocidad baja.
 - Siga presionando el disparador a una velocidad constante. (Esto es importante, ya que genera una moldura del material más consistente). **NOTA:** El diámetro de la boquilla, la temperatura y el tipo de masilla o adhesivo que se utilizan afectan la velocidad del flujo.
 - Libere el disparador para dejar de dispensar masilla.

NOTA: No levante la pistola para masilla del carro del tubo.

DETECCIÓN DE PROBLEMAS

Problema	Causa posible	Solución posible
•No sale masilla.	•El sello no está roto dentro del interior del tubo. •El carro para masilla no está ensamblado correctamente.	•Use el obturador del sello en la pistola para masilla para romper el sello. •Asegúrese de que el carro para masilla esté alineado con la imagen de bloqueo en la pistola. Consulte la sección "Colocación del tubo de masilla o adhesivo"
•La unidad no funciona.	•La varilla del pistón no está alineada con la imagen de bloqueo en la pistola. •El disparador no está siendo presionado lo suficiente. •Las baterías están mal colocadas. •Las baterías deben ser reemplazadas. •El interruptor se encuentra en la posición de "apagado".	•Empuje el émbolo hacia adelante tanto como se pueda. •Empuje el disparador hacia el mango del armazón. •Asegúrese de que los terminales (+) y (-) coincidan correctamente. •Coloque 4 baterías AA nuevas de 1,5 voltios. •Mueva el interruptor a la velocidad alta o baja. •Coloque el interruptor en la velocidad baja. •Para un desempeño óptimo, empuje siempre el disparador a una velocidad variable.
•La masilla sale demasiado rápido.	•La velocidad es muy alta.	•Coloque el interruptor en la velocidad alta. •Para un desempeño óptimo, empuje siempre el disparador a una velocidad variable.
•La masilla sale muy despacio.	•La velocidad es demasiado baja.	•Coloque el interruptor en la velocidad baja. •Para un desempeño óptimo, empuje siempre el disparador a una velocidad variable.

Para recibir asistencia con su producto, visite nuestro sitio web www.blackanddecker.com para conocer la ubicación del centro de mantenimiento más cercano o llame a la línea de ayuda de BLACK & DECKER al (55)5326-7100.

Mantenimiento

Para limpiar la herramienta, sólo utilice jabón suave y un paño húmedo. Nunca permita que penetre líquido dentro de la herramienta ni sumerja ninguna de las piezas en un líquido.

IMPORTANTE: Para asegurar la SEGURIDAD y la CONFIABILIDAD del producto, las reparaciones, el mantenimiento y los ajustes se deben realizar en los centros de mantenimiento autorizados o con otro personal de mantenimiento calificado, utilizando siempre piezas de repuesto idénticas.

Lubricación

Las herramientas Black & Decker son lubricadas apropiadamente en fábrica y están listas para usar.

Accesorios

Los accesorios que se recomiendan para la herramienta están disponibles en su distribuidor local o en el centro de mantenimiento autorizado. Si necesita ayuda con respecto a los accesorios, llame al: (55)5326-7100.

⚠ **PRECAUCIÓN:** El uso de cualquier accesorio o anexo no recomendado puede ser peligroso.

Información de mantenimiento

Todos los Centros de mantenimiento de Black & Decker cuentan con personal altamente capacitado dispuesto a brindar a todos los clientes un servicio eficiente y confiable en la reparación de herramientas eléctricas. Si necesita consejo técnico, reparaciones o piezas de repuesto originales de fábrica, póngase en contacto con el centro de mantenimiento de Black & Decker más cercano a su domicilio. Para ubicar su centro de servicio local, consulte la sección "Herramientas eléctricas" (Tools-Electric) de las páginas amarillas, llame al (55)5326-7100 o visite nuestro sitio www.blackanddecker.com.

Garantía completa de dos años para uso en el hogar

Black & Decker (Estados Unidos) Inc. ofrece una garantía de dos años por cualquier defecto del material o de fabricación de este producto. El producto defectuoso se reparará o reemplazará sin costo alguno de dos maneras.

La primera opción, el reemplazo, es devolver el producto al comercio donde se lo adquirió (siempre y cuando se trate de un comercio participante). Las devoluciones deben realizarse

conforme a la política de devolución del comercio (generalmente, entre 30 y 90 días posteriores a la venta). Le pueden solicitar comprobante de compra. Consulte en el comercio acerca de la política especial sobre devoluciones una vez excedido el plazo establecido.

La segunda opción es llevar o enviar el producto (con flete pago) a un Centro de mantenimiento propio o autorizado de Black & Decker para su reparación o reemplazo según nuestro criterio. Le pueden solicitar el comprobante de compra. Los Centros de mantenimiento autorizados y de propiedad de Black & Decker se detallan en la sección "Herramientas eléctricas" (Tools-Electric) de las páginas amarillas de la guía telefónica. Esta garantía no se extiende a los accesorios. Esta garantía le concede derechos legales específicos; usted puede tener otros derechos que pueden variar según el estado o la provincia. Si tiene alguna pregunta, comuníquese con el gerente del Centro de mantenimiento de Black & Decker de su zona. Este producto no está diseñado para uso comercial.

REEMPLAZO GRATUITO DE LAS ETIQUETAS DE ADVERTENCIAS: si sus etiquetas de advertencia se tornan ilegibles o faltan, llame al (55)5326-7100 para que se le reemplacen gratuitamente.

Para reparación y servicio de sus herramientas eléctricas, favor de dirigirse al Centro de Servicio más cercano:

CULIACAN, SIN
Av. Nicolás Bravo #1063 Sur
(667) 7 12 42 11
Col. Industrial Bravo

GUADALAJARA, JAL
Av. La Paz #1779
(33) 3825 6978
Col. Americana Sector Juárez

MEXICO, D.F.
Eje Central Lázaro Cardenas
No. 18
(55) 5588 9377
Local D, Col. Obrera

MERIDA, YUC
Calle 63 #459-A
(999) 928 5038
Col. Centro

MONTERREY, N.L.
Av. Francisco I. Madero
No.831
(81) 8375 2313
Col. Centro

PUEBLA, PUE
17 Norte #205
(222) 246 3714
Col. Centro

QUERETARO, QRO
Av. Madero 139 Pte.
(442) 214 1660
Col. Centro

SAN LUIS POTOSI, SLP
Av. Universidad 1525
(444) 814 2383
Col. San Luis

TORREON, COAH
Blvd. Independencia, 96 Pte.
(871) 716 5265
Col. Centro

VERACRUZ, VER
Prolongación Díaz Mirón #4280
(229)921 7016
Col. Remes

VILLAHERMOSA, TAB
Constitución 516-A
(993) 312 5111
Col. Centro

PARA OTRAS LOCALIDADES LLAME AL: (55) 5326 7100

Vea "Herramientas eléctricas (Tools-Electric)" - Páginas amarillas - para Servicio y ventas



BLACK & DECKER S.A. DE C.V.
BOSQUES DE CIDROS ACCESO RADIATAS NO. 42
COL. BOSQUES DE LAS LOMAS.
05120 MÉXICO, D.F.
TEL. 55-5326-7100

Especificaciones

Tensión de alimentación 6V

Free Manuals Download Website

<http://myh66.com>

<http://usermanuals.us>

<http://www.somanuals.com>

<http://www.4manuals.cc>

<http://www.manual-lib.com>

<http://www.404manual.com>

<http://www.luxmanual.com>

<http://aubethermostatmanual.com>

Golf course search by state

<http://golfingnear.com>

Email search by domain

<http://emailbydomain.com>

Auto manuals search

<http://auto.somanuals.com>

TV manuals search

<http://tv.somanuals.com>