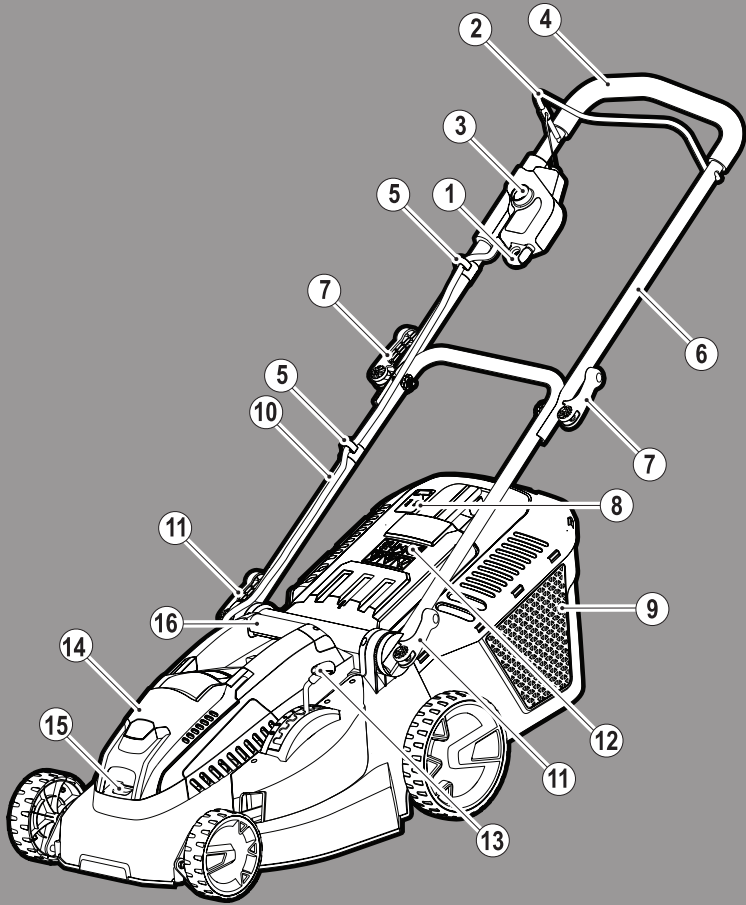




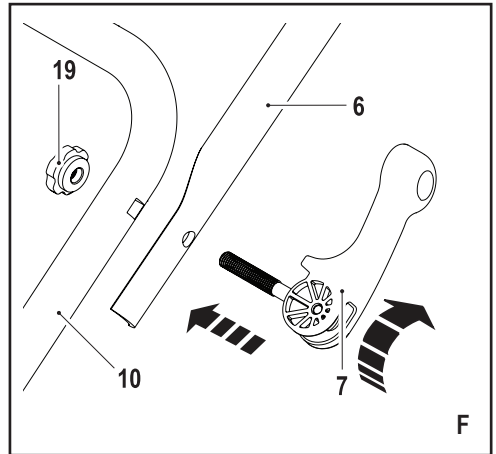
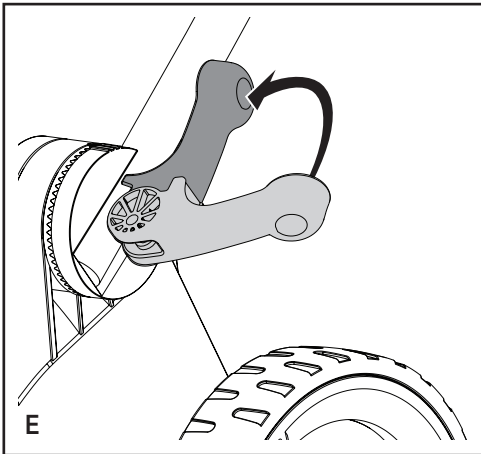
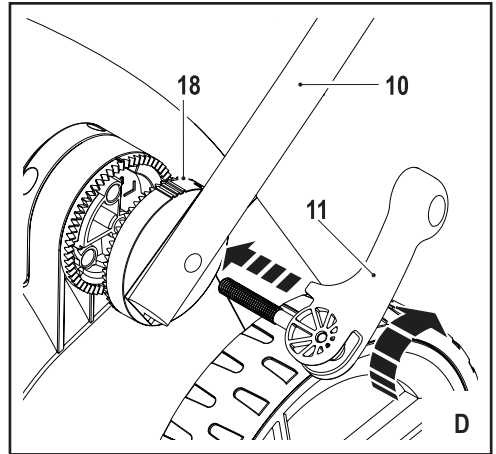
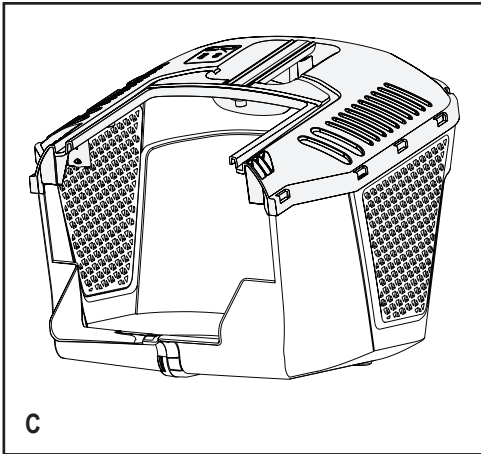
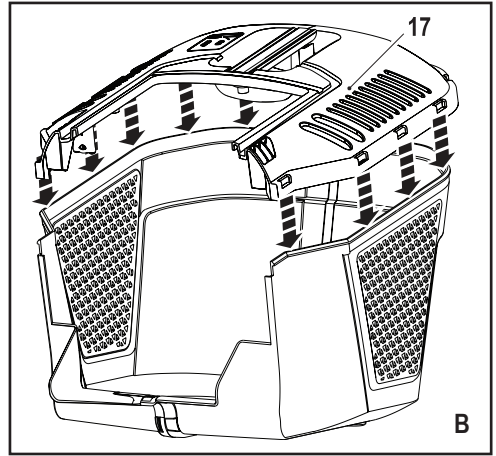
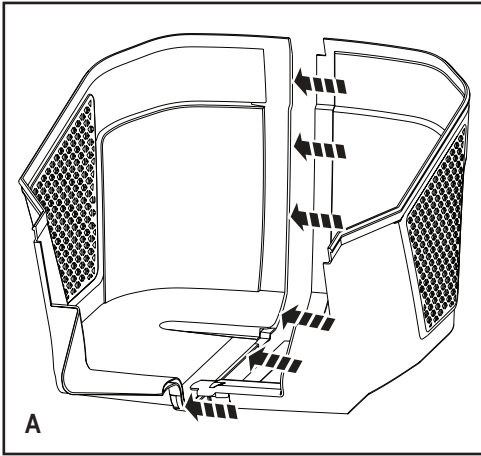
BLACK & DECKER®

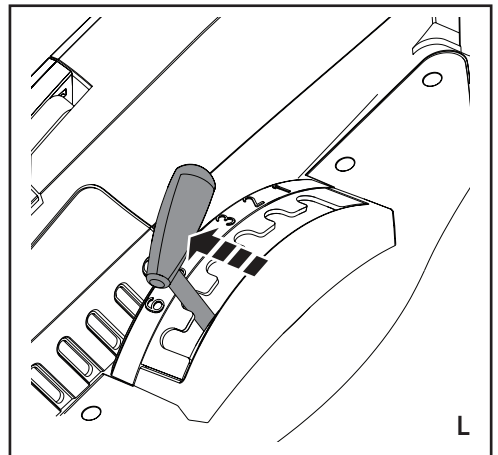
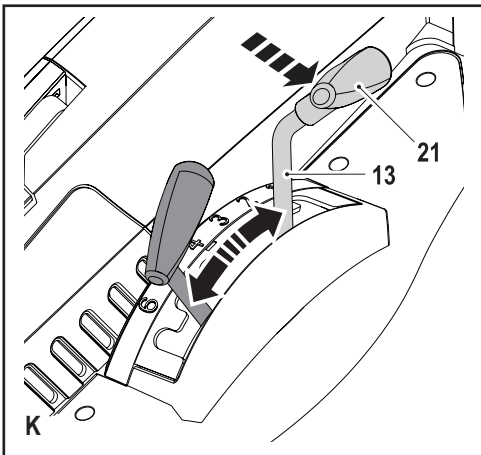
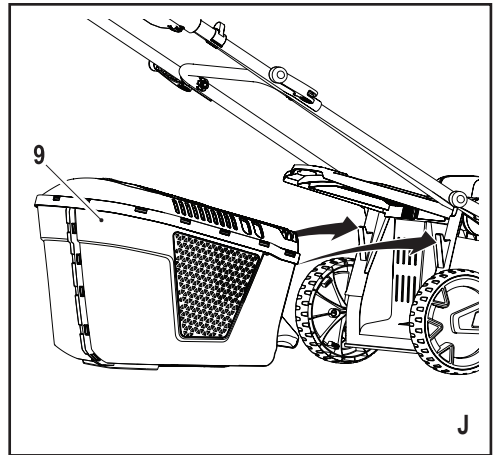
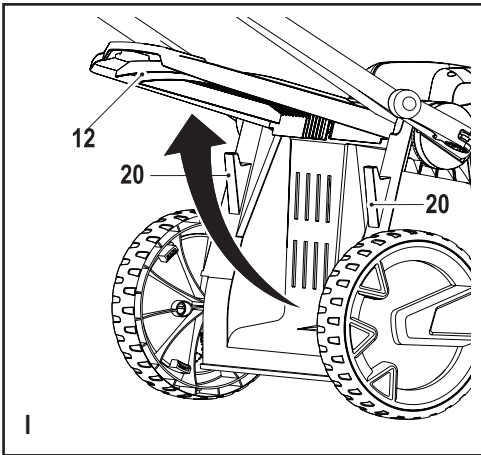
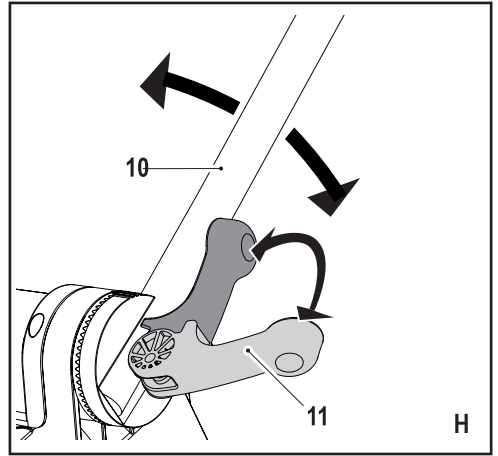
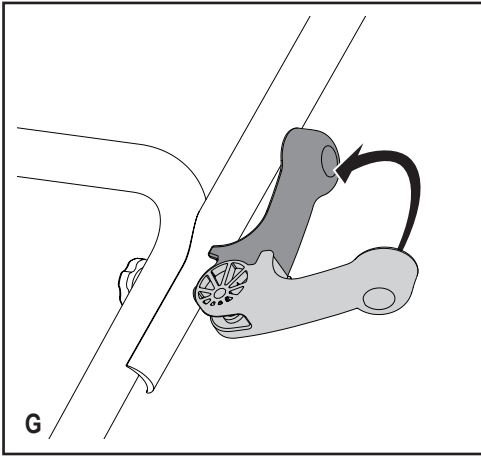
EN

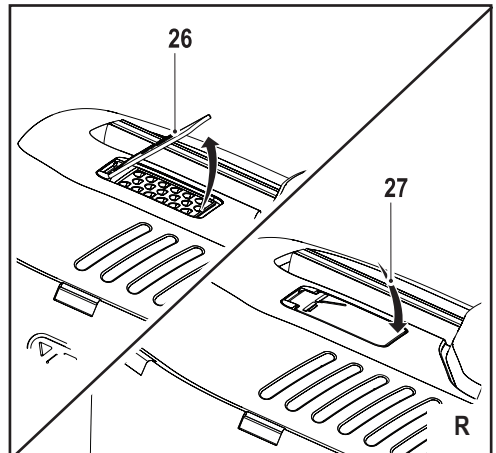
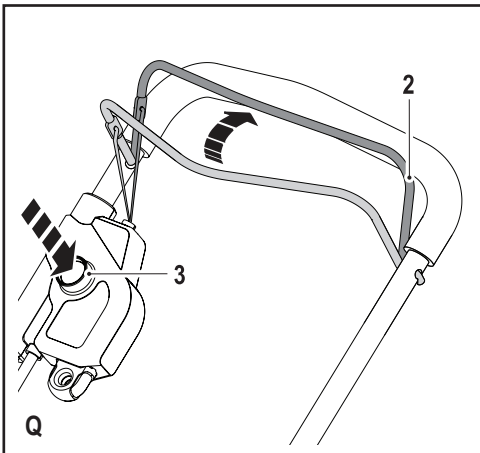
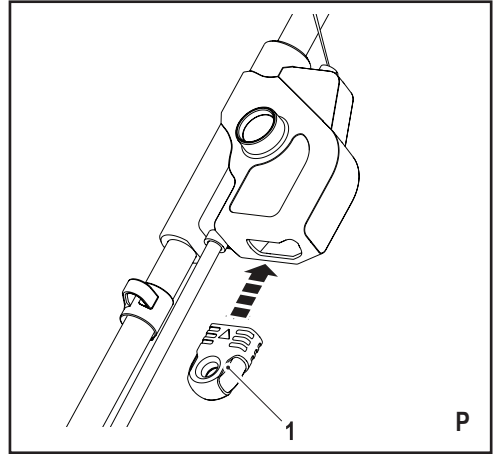
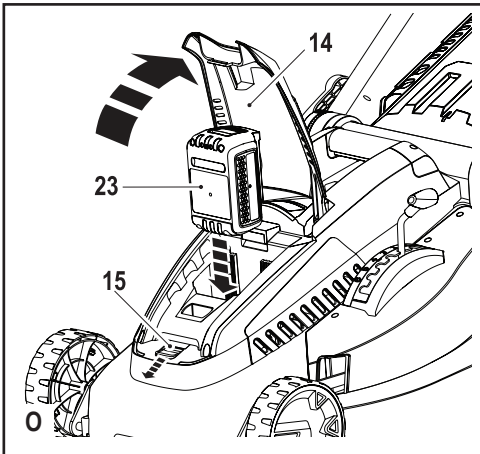
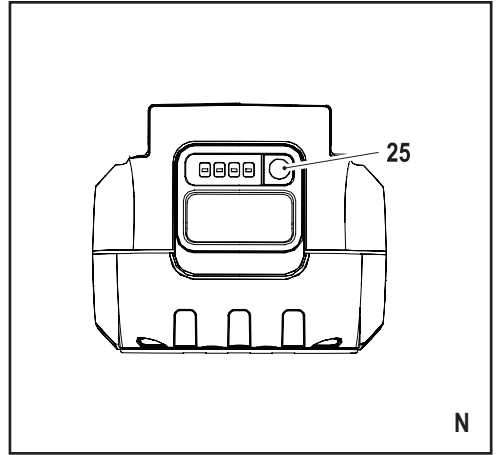
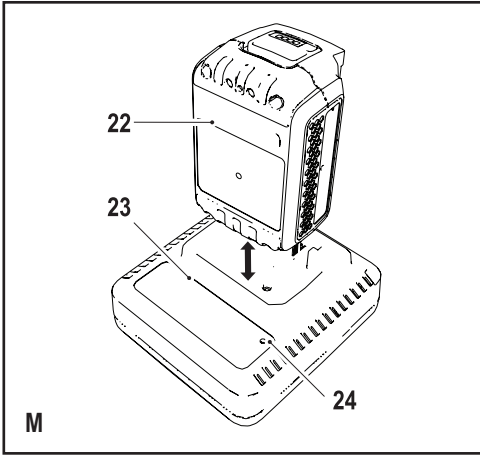


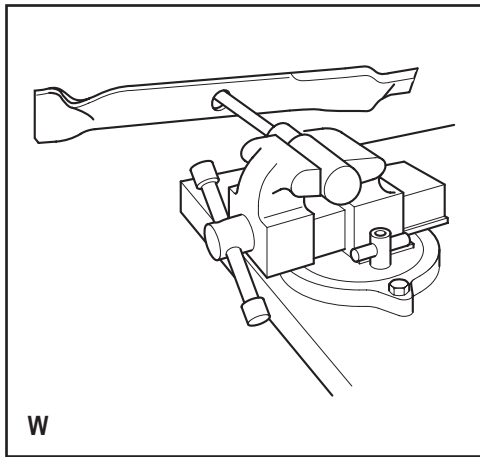
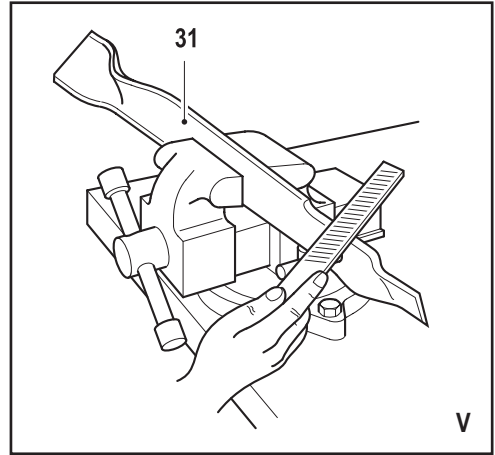
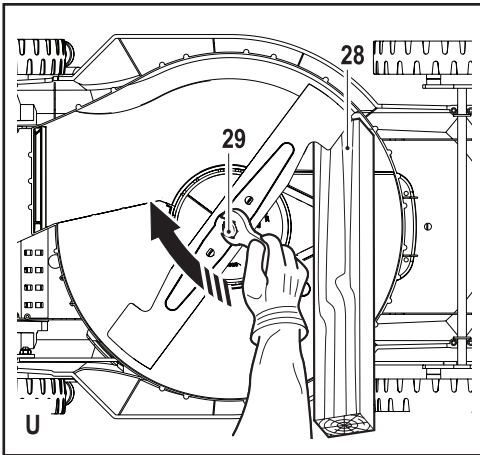
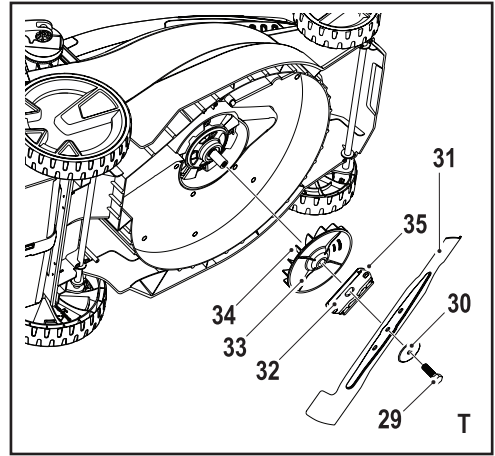
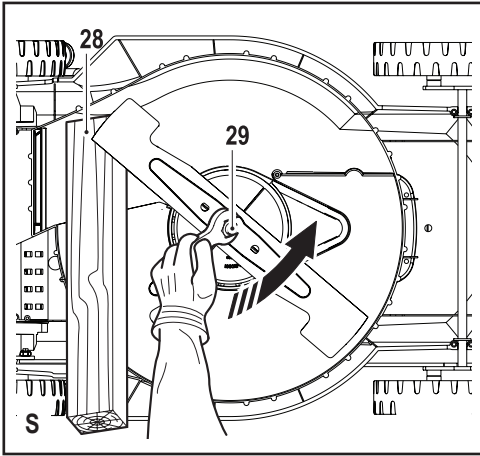
www.blackanddecker.co.uk

CLM3820









Intended use

Your Black & Decker mower has been designed for mowing grass. This appliance is intended for consumer use only.

Safety instructions

Warning! When using cordless appliances, basic safety precautions, including the following, should always be followed to reduce the risk of fire, electric shock, personal injury and material damage.

Warning! When using the machine the safety rules must be followed. For your own safety and bystanders please read these instructions before operating the machine. Please keep the instructions safe for later use.

- ◆ Read all of this manual carefully before operating the appliance.
- ◆ The intended use is described in this manual. The use of any accessory or attachment or the performance of any operation with this appliance other than those recommended in this instruction manual may present a risk of personal injury.
- ◆ Retain this manual for future reference.

Using your appliance

Always take care when using the appliance.

- ◆ This appliance is not intended for use by young or infirm persons without supervision.
- ◆ The appliance is not to be used as a toy.
- ◆ Do not allow children or animals to come near the work area or touch the appliance or power supply cord.

- ◆ Close supervision is necessary when the appliance is used near children.
- ◆ Use in a dry location only. Do not allow the appliance to become wet.
- ◆ Do not immerse the appliance in water.
- ◆ Do not open body casing. There are no userserviceable parts inside.
- ◆ Do not operate the appliance in explosive atmospheres, such as in the presence of flammable liquids, gases or dust.
- ◆ To reduce the risk of damage to plugs and cords never pull the cable to remove the plug from a socket.

After use

- ◆ When not in use, the appliance should be stored in a dry, well ventilated place out of the reach of children.
- ◆ Children should not have access to stored appliances.
- ◆ When the appliance is stored or transported in a vehicle it should be placed in the boot or restrained to prevent movement following sudden changes in speed or direction.

Inspection and repairs

- ◆ Before use, check the appliance for damaged or defective parts. Check for breakage of parts, damage to switches and any other conditions that may affect its operation.
- ◆ Do not use the appliance if any part is damaged or defective.
- ◆ Have any damaged or defective parts repaired or replaced by an authorised repair agent.

- ◆ Never attempt to remove or replace any parts other than those specified in this manual.
- ◆ Be careful during adjustment of the mower to prevent entrapment of the fingers between moving blades/parts and fixed parts of the machine.
- ◆ When servicing the blades be aware that, even though the power source is switched off, the blades can still be moved.

Additional safety instructions for lawnmowers

- ◆ Firmly grip handle with both hands when operating the lawnmower.
- ◆ If at any time it is felt necessary to tilt the lawnmower, make sure that both hands remain in the operating position while the lawnmower is tilted. Keep both hands in the operating position until the lawnmower is returned to rest correctly on the ground.
- ◆ Never wear radio or music headphones while operating the lawnmower.
- ◆ Never attempt to make a wheel height adjustment while the motor is running or while the safety key is in the switch housing.
- ◆ If the lawnmower stalls, release bail bar to turn mower off, wait for blade to stop and remove the safety key, before attempting to unclog the chute or remove anything from under the deck.
- ◆ Keep hands and feet away from cutting area.
- ◆ Keep blades sharp. Always use protective gloves when handling the lawnmower blade.
- ◆ If you are using the grass collector, check it frequently for wear and deterioration. If excessively worn, replace with a new grass collector for your safety.
- ◆ Use extreme caution when reversing or pulling the lawnmower towards you.
- ◆ Do not put hands or feet near or under the lawnmower. Keep clear of the discharger opening at all times.
- ◆ Clear the area where the lawnmower is to be used of objects such as rocks, sticks, wire, toys, bones etc., which could be thrown by the blade. Objects struck by the blade can cause severe injury to persons. Stay behind the handle when the motor is running.
- ◆ Do not operate the lawnmower barefooted or while wearing sandals. Always wear substantial footwear.
- ◆ Do not pull lawnmower backward unless absolutely necessary. Always look down and behind before and while moving backward.
- ◆ Never direct discharged material toward anyone. Avoid discharging material against a wall or obstruction. Material may ricochet back toward the operator. Release the bail bar to turn the lawnmower off and stop the blade when crossing gravel surfaces.

- ◆ Do not operate the lawnmower without the entire grass collector, discharge guard, rear guard, or other safety protective devices in place and working. Periodically check all guards and safety protective devices to ensure they are in good working order and will operate properly and perform their intended function. Replace a damaged guard or other safety device before further use.
- ◆ Never leave a running lawnmower unattended. Always remove the safety key if the lawnmower is going to be left unattended.
- ◆ Always release the bail bar to stop the motor and wait until the blade comes to a complete stop and remove the safety key before cleaning the lawnmower, removing the grass bag, unclogging the discharge guard, when leaving the lawnmower, or before making any adjustments, repairs or inspections.
- ◆ Operate lawnmower only in daylight or good artificial light when objects in the path of the blade are clearly visible from the operating area of the lawnmower.
- ◆ Do not operate the lawnmower while under the influence of alcohol or drugs, or when you are tired or ill. Always stay alert, watch what you are doing, and use common sense.
- ◆ Avoid dangerous environments. Never operate the lawnmower in damp or wet grass, never use lawnmower in the rain. Always be sure of your footing, walk, never run.
- ◆ If the lawnmower should start to vibrate abnormally, release the bail bar, wait for the blade to stop and remove the safety key, then check for the cause immediately. Vibration is generally a warning of trouble, see the troubleshooting guide for advice in the case of abnormal vibration.
- ◆ Always wear proper eye and respiratory protection when operating the lawnmower.
- ◆ The use of any accessory or attachment not recommended for use with this lawnmower could be hazardous. Only use accessories approved by Black & Decker.
- ◆ Never overreach while operating the lawnmower. Always be sure to keep proper footing and balance at all times while operating the lawnmower.
- ◆ Mow across the face of slopes, never up and down. Exercise extreme caution when changing direction on slopes.
- ◆ Watch for holes, ruts, bumps, rocks or other hidden objects. Uneven terrain could cause a slip and fall accident. Tall grass can hide obstacles.
- ◆ Do not mow on wet grass or excessively steep slopes. Poor footing could cause a slip and fall accident.

- Do not mow near drop-offs, ditches, or embankments. You could lose your footing or balance.
- Always allow the mower to cool down before storing.

Safety of others

- This appliance is not intended for use by persons (including children) with reduced physical, sensory or mental capabilities, or lack of experience and knowledge, unless they have been given supervision or instruction concerning use of the appliance by a person responsible for their safety.
- Children must be supervised to ensure that they do not play with the appliance.

Residual risks.

Additional residual risks may arise when using the tool which may not be included in the enclosed safety warnings. These risks can arise from misuse, prolonged use etc.

Even with the application of the relevant safety regulations and the implementation of safety devices, certain residual risks can not be avoided. These include:

- Injuries caused by touching any rotating/moving parts.
- Injuries caused when changing any parts, blades or accessories.
- Injuries caused by prolonged use of a tool. When using any tool for prolonged periods ensure you take regular breaks.

- Impairment of hearing.
- Health hazards caused by breathing dust developed when using your tool (example:- working with wood, especially oak, beech and MDF.)

Warning symbols

The following warning symbols are found on the appliance:



Warning! Read the manual prior to operation.



Do not expose the appliance to rain or high humidity.



Beware of sharp blades.

Always remove the safety key before cleaning the lawnmower, removing the grass bag, unclogging the discharge guard, when leaving the lawnmower, or before making any adjustments, repairs or inspections.



Beware of flying objects. Keep bystanders away from the cutting area.



Wear eye protection



The blades will continue to rotate after the machine is switched off.



Directive 2000/14/EC guaranteed sound power.

Additional safety instructions for batteries and chargers

Batteries

- Never attempt to open for any reason.
- Do not expose the battery to water.
- Do not expose the battery to heat.
- Do not store in locations where the temperature may exceed 40 °C.
- Charge only at ambient temperatures between 10 °C and 40 °C.
- Charge only using the charger provided with the appliance/tool. Using the wrong charger could result in an electric shock or overheating of the battery.
- When disposing of batteries, follow the instructions given in the section "Protecting the environment".
- Do not damage/deform the battery pack either by puncture or impact, as this may create a risk of injury and fire.
- Do not charge damaged batteries.
- Under extreme conditions, battery leakage may occur. When you notice liquid on the batteries carefully wipe the liquid off using a cloth. Avoid skin contact.
- In case of skin or eye contact, follow the instructions below.

Warning! The battery fluid may cause personal injury or damage to property. In case of skin contact, immediately rinse with water. If redness, pain or irritation occurs seek medical attention. In case of eye contact, rinse immediately with clean water and seek medical attention.



Do not attempt to charge damaged batteries.

Chargers

Your charger has been designed for a specific voltage. Always check that the mains voltage corresponds to the voltage on the rating plate.

Warning! Never attempt to replace the charger unit with a regular mains plug.

- Use your Black & Decker charger only to charge the battery in the appliance/tool with which it was supplied. Other batteries could burst, causing personal injury and damage.
- Never attempt to charge non-rechargeable batteries.
- If the supply cord is damaged, it must be replaced by the manufacturer or an authorised Black & Decker Service Centre in order to avoid a hazard.
- Do not expose the charger to water.
- Do not open the charger.
- Do not probe the charger.
- The appliance/tool/battery must be placed in a well ventilated area when charging.



The charger is intended for indoor use only.



Read the instruction manual before use.

Electrical safety



Your charger is double insulated; therefore no earth wire is required. Always check that the mains voltage corresponds to the voltage on the rating plate. Never attempt to replace the charger unit with a regular mains plug.

- ◆ If the supply cord is damaged, it must be replaced by the manufacturer or an authorised Black & Decker Service Centre in order to avoid a hazard.

Features

This appliance includes some or all of the following features.

1. Safety key
2. Bail bar
3. Lock off release
4. Handle bar
5. Cable restraint clips
6. Upper handle
7. Upper handle quick release clamp
8. Grass box full indicator
9. Grass collection box
10. Lower Handle
11. Lower handle quick release clamp
12. Spring loaded rear door
13. Height adjust handle
14. Battery cover
15. Battery cover release
16. Handle

Assembly

Warning! Before assembly, make sure that the tool is switched off and the safety key and battery have been removed.

Assembling the grass collection box (fig. A - C)

The grass box requires assembly before use and comes in 3 pieces.

- ◆ Clip the 2 sides of the grass collection box (9) together (fig.A). Make sure that all clips and guides are aligned.
- ◆ Align the lid (17) onto the assembled grass collection box. Ensure that the guides and clips are aligned.

Note: Take extra care when aligning the clips at the rear of the grass collection box.

- ◆ Push down on the lid to secure all clips. Begin at the front and work towards the back. Ensure that all clips are securely located.

Fitting the lower handle (fig. D & E)

- ◆ Remove the lower handle quick release clamps (11) from the base of the mower.
- ◆ Place the lower handle (10) around the base, making sure the three notches (18) on the lower handle (10) face toward the top.
- ◆ Screw the lower handle quick release clamps (11) through the lower handle into the mower base. With the lower handle quick release clamps screwed in half way, close the quick release clamps (fig.E) and ensure the teeth of the handle and base interlock. If the connection between the handle and quick release clamps is too tight or loose, adjust the depth of the quick release clamps and close them again until the teeth are fully closed.

Fitting the upper handle (fig. F & G)

- ◆ Fit the upper handle (6) to the lower handle (10) using the upper handle quick release clamps (7) and clamp nuts (19) as shown.
- ◆ Screw the upper handle quick release clamps (7) through the lower handle into the clamp nuts (20). With the upper handle quick release clamps screwed in half way, close the quick release clamps (fig. G). If the connection between the handle and quick release clamps is too tight or loose, adjust the depth of the quick release clamps and close them again until the teeth are fully closed.

Adjusting the height of the handle (fig. H)

- ◆ Release the lower handle quick release clamp as shown.
- ◆ Lift or lower the handle into one of the 3 marked positions next to the lower handle quick release clamps.
- ◆ Close the lower handle quick release clamps (11) and ensure the teeth of the handle and base interlock. If the connection between the handle and quick release clamps is too tight or loose, adjust the depth of the quick release clamps and close them again until the teeth are fully closed.

Securing the motor cable

The motor cable has to be fixed using the cable restraint.

- ◆ Secure the cable to the upper and lower handle by clipping it into the cable restraint clips (5)

Fitting the grass collection box (fig. I & J)

- ◆ Lift the clear grass flap (12) and place the grass collection box (9) over the lugs (20).

Wheel height adjustment (fig. K & L)

Your mower features the Black & Decker Easy - height adjustment system. This system will adjust all four wheels at the same time.

The mower has six blade height adjustment positions (30 mm to 80 mm). Refer to the scale on the side of the mower. The pointer will indicate the height setting for cutting your lawn. This setting can be a reference for the next time you want to cut your lawn to the same height.

- ◆ Release the bail bar (2) to turn the lawnmower off, wait until the blade stops and remove the safety key (1).
- ◆ To raise or lower the cutting height, place the palm of your hand on the palm rest (21) and pull the height adjustment lever (13) away from the mower body.
- ◆ Move the height adjust lever (13) into the required position then push it back in towards the mower body.

Note: Make sure that the mower is securely locked in one of the six positions.

Removing and fitting the battery (fig. O)

Before removing the battery:

- ◆ Place the mower on level ground.
- ◆ Release the bail bar (2) to turn the mower off, wait for the blade to stop and remove the safety key (1).

To remove the battery:

- ◆ Pull the battery cover release (15) towards the front of the mower body and lift the battery cover (14).
- ◆ Lift the battery (22) out of the mower.

To fit the battery

- ◆ Pull the battery cover release (15) towards the front of the mower body and lift the battery cover (14).
- ◆ Slide the battery (22) into the mower. (the battery will only fit one way.)

Use

Warning! Let the appliance work at its own pace. Do not overload.

Charging the battery (fig. M)

The battery needs to be charged before first use and whenever it fails to produce sufficient power on jobs that were easily done before. The battery may become warm while charging; this is normal and does not indicate a problem.

Warning! Do not charge the battery at ambient temperatures below 10 °C or above 40 °C. Recommended charging temperature: approx. 24 °C.

Note: The charger will not charge a battery if the cell temperature is below approximately 0 °C or above 40 °C. The battery should be left in the charger and the charger will begin to charge automatically when the cell temperature warms up or cools down.

- ◆ To charge the battery (22), insert it into the charger (23). The battery will only fit into the charger in one way. Do not force. Be sure that the battery is fully seated in the charger.
- ◆ Plug in the charger and switch on at the mains.

The charging indicator (24) will flash green continuously (slowly).

The charge is complete when the charging indicator (24) lights green continuously. The charger and the battery can be left connected indefinitely with the LED illuminated. The LED will change to flashing green (charging) state as the charger occasionally tops off the battery charge. The charging indicator (24) will be lit as long as the battery is connected to the plugged-in charger.

- ◆ Charge discharged batteries within 1 week. Battery life will be greatly diminished if stored in a discharged state.

Leaving the battery in the charger

The charger and battery pack can be left connected with the LED glowing indefinitely. The charger will keep the battery pack fresh and fully charged.

Charger diagnostics

If the charger detects a weak or damaged battery, the charging indicator (24) will flash red at a fast rate. Proceed as follows:

- ◆ Re-insert the battery (22).
- ◆ If the charging indicators continues flashing red at a fast rate, use a different battery to determine if the charging process works properly.
- ◆ If the replaced battery charges correctly, the original battery is defective and should be returned to a service centre for recycling.
- ◆ If the new battery gives the same indication as the original battery, take the charger to be tested at an authorised services centre.

Note: It may take as long as 30 minutes to determine that the battery is defective. If the battery is too hot or too cold, the LED will alternately blink red, fast and slow, one flash at each speed and repeat.

State of charge indicator (fig. N)

The battery is fitted with a state of charge indicator. This can be used to display the current level of charge in the battery during use and during charging.

- ◆ Press the state of charge indicator button (25).

Safety key (fig. P)

Remove the safety key:

- ◆ Whenever leaving the appliance unattended.
- ◆ Before cleaning a blockage.
- ◆ Before checking, cleaning or working on the appliance.
- ◆ After striking a foreign object.
- ◆ Whenever the appliance starts vibrating abnormally.

Switching on and off (fig. P & Q)

Warning! Sharp moving blade. Never attempt to override the operation of this switch and safety key system as a serious injury could result.

Switching on

- ◆ Insert the safety key (1) fully into the switch housing.
- ◆ Push the lock off release button (3) on the top of the switch housing.
- ◆ Pull the blade bail bar (2) toward the handle bar (4).

Switching off

◆ To turn the lawnmower off, release the blade bail bar (2). When the bail bar (2) has returned to the original position it will activate the automatic braking mechanism. The motor is electrically braked and the lawnmower blade will stop rotating in 3 seconds or less.

Grass box full indicator (fig. R)

The lawn mower has a device which allows you to easily see when the grass box is full and needs emptying.

- ◆ When the lawn mower is running and the grass box is empty the indicator will be in the open position (26).
- ◆ When the lawn mower is running and the grass box is full the indicator will be in the closed position position (27).

Hints for optimum use

- ◆ Lawns should first be mowed in the spring when the grass is about 63 mm to 76 mm high. Mowing too early in the season restricts the root systems of the grass which renew themselves every spring. New grass should be mowed when it is about 63 mm high.
- ◆ Do not remove too much grass blade surface at one time, never more than 1/3 of the leaf height during each cutting. Cutting too close 'shocks' sensitive grass blades, resulting in a shallow root system making it more difficult for your lawn to reach water in the soil.
- ◆ Mow your lawn when it is dry to avoid clumping of wet grass. If you have a choice, late afternoon is the ideal time for mowing, not only because the grass is dry, but also because the sensitive new cut area of the grass will not be exposed to intense sunlight.
- ◆ Keep the mowing blade sharp for a nice clean cut. This improves the mower's performance and enhances the look of your lawn. A dull blade shatters and bruises the tips of the grass. This impairs the healthy growth of your lawn and increases the susceptibility to turf diseases. If the grass tips are bruised it causes a brownish colour which gives your lawn an unhealthy appearance. A dull blade may also pull up young grass seedlings.
- ◆ Try to mow your lawn at a consistent cutting height. While there are times when you should vary the cutting height with the changing seasons, a consistent cutting height produces a healthier, lovelier lawn with generally fewer weeds. Mow more frequently during periods of fast growth. Frequent cutting ensures that the lower, less attractive portion of the grass will not show.
- ◆ If your lawn has grown too long, during a vacation for example, mow at a cutting height one or two positions higher than normal. A second pass at your usual cutting height a few days later will put your lawn back on schedule. Changing the cutting height is a simple matter with Black & Decker's One Touch Wheel Height Adjustment, which simultaneously adjusts all four wheels at once.
- ◆ During the spring and autumn, or after an interruption to the cutting schedule, the grass will be longer and thicker. If the motor continually slows down while cutting, try setting the wheels for a higher cutting height. Excessive motor loading can result in uneven cutting, quicker discharge of the battery and can cause the motor to overload which stops the motor.

- ◆ There are three good ways to enhance your lawn's appearance: Vary the mowing direction frequently; mow horizontally on hillsides; (this is also a good safety practice) and do not forget to overlap the mowing path on each pass.

Mowing tips

Note Always inspect the area where the lawnmower is to be used and remove all stones, sticks, wire, bones and other debris which could be thrown by the rotating blade.

- ◆ Mow across the face of slopes, never up-and-down. Exercise extreme caution when changing direction on slopes. Do not mow excessively steep slopes. Always maintain a good footing.
- ◆ Release the bail bar (2) to turn the lawnmower off when crossing any gravel area as stones can be thrown by the rotating blade.
- ◆ Set the lawnmower at the highest cutting height when mowing in rough ground or in tall weeds. Removing too much grass at one time may cause the motor to overload which will stop the lawnmower. Refer to the troubleshooting guide.

If the grass box (9) is used during the fast growing season, the grass may tend to clog up at the discharge opening.

- ◆ Release the bail bar (2) to turn the lawnmower off and remove the safety key (1).
- ◆ Remove the grass box (9) and shake the grass to the back of the bag.
- ◆ Clean out any grass or debris which may be packed around the discharge opening.
- ◆ Refit the grass box (9).

If the lawnmower starts to vibrate abnormally:

- ◆ Release the bail bar (2) immediately to turn the lawnmower off and remove the safety key (1) and the battery pack (22).
- ◆ Investigate the cause of the vibration. Vibration is a warning. Do not operate the lawnmower until a service check has been made. Refer to the troubleshooting guide in the manual.

Note Always release the bail bar to turn the lawnmower off and remove the safety key when leaving it unattended even for a short period of time.

The following suggestions will help you to obtain optimum run-time from your cordless mower:

- ◆ Slow down in areas where the grass is especially long or thick.
- ◆ Avoid mowing when the grass is wet.
- ◆ Cut your lawn frequently, especially during periods of high growth.

Maintenance

Your Black & Decker corded/cordless appliance/tool has been designed to operate over a long period of time with a minimum of maintenance. Continuous satisfactory operation depends upon proper tool/appliance care and regular cleaning. Your charger does not require any maintenance apart from regular cleaning.

Warning! Before performing any maintenance on corded/cordless power tools:

- ◆ Switch off and unplug the appliance/tool.

- ◆ Or switch off and remove the battery from the appliance/tool if the appliance/tool has a separate battery pack.
- ◆ Or run the battery down completely if it is integral and then switch off.
- ◆ Unplug the charger before cleaning it. Your charger does not require any maintenance apart from regular cleaning.
- ◆ Regularly clean the ventilation slots in your tool/appliance and charger using a soft brush or dry cloth.
- ◆ Regularly clean the motor housing using a damp cloth. Do not use any abrasive or solvent-based cleaner.
- ◆ Regularly use a blunt scraper to remove grass and dirt from the underneath of the guard.

Removing and installing the blade (fig. S, T & U)

Warning! Do not touch the blade before the safety key has been removed and the blades have come to a complete stop.

- ◆ Release the bail bar (2) to turn mower off, wait for the blade to stop and remove the safety key (1).
- ◆ Cut a piece of wood (approximately 50 mm x 100 mm x 600 mm long) to use to keep the blade from turning while removing the flange nut (29).
- ◆ Turn the mower on its side.

Warning! Wear gloves and proper eye protection. Be careful of the sharp edges of the blade.

- ◆ Position the wood (28) and remove the flange nut (29) with a 13 mm wrench (fig. S).
- ◆ Remove the washer (30), blade (31), square blade guide (32) and the fan (33) (fig T). Examine the blade guide (32) and fan (33) for damage and replace if necessary.

When fitting the blade, make sure that the grass side of the blade (Indicated by arrows on either end) will face the ground when the mower is returned to its normal upright position.

- ◆ Install the fan (33). Be sure to position the fan blades (34) so that they face in towards the mower.
- ◆ Install the blade guide (32). Be sure to position the 'D' shaped pegs (35) so that they face out, away from the mower.
- ◆ Be sure to align the flats on the on the fan (33) and the blade guide (32) with the flats of the shaft.
- ◆ Fit the blade (31) onto the blade guide (32) with the arrows facing outwards.
- ◆ Position the piece of wood (28) to keep the blade (31) from turning (fig. U).
- ◆ Install the washer (30) and flange nut (29) then tighten with a 13mm wrench.

Blade sharpening (fig. V)

Keep the blade sharp for best performance. A dull blade does not cut grass cleanly or mulch properly.

Warning! Always make sure that the safety key is removed.

Warning! Wear proper eye protection while removing, sharpening and installing a blade.

Sharpening the blade twice during a mowing season is usually sufficient under normal circumstances. Sand causes the blade to dull quickly. If your lawn has sandy soil more frequent sharpening may be required.

- ◆ Replace bent or damaged blades immediately.

When sharpening the blade:

- ◆ Make sure that the blade remains balanced.
- ◆ Sharpen the blade at the original cutting angle.
- ◆ Sharpen the cutting edges on both ends of the blade, removing equal amounts of material from both ends.

To sharpen a blade in a vice (fig. V)

- ◆ Release the bail bar (2) to turn the lawnmower off and wait for the blade to come to a complete stop.
- ◆ Remove the safety key (1) and the battery pack (22) and turn the lawnmower on to its side.
- ◆ Remove the blade (31) from the mower, see the instructions for removing and installing blades.

Warning! Wear proper eye protection and gloves and be careful of the sharp edges of the blade.

- ◆ Put the blade (31) in a vice.
- ◆ Carefully file the cutting edges of the blade with a fine tooth file or a sharpening stone, maintaining the original cutting edge.
- ◆ Check the balance of the blade, see the instructions for blade balancing.
- ◆ Install the blade (31) on the mower and tighten securely, see the instructions for removing and installing blades.

Blade balancing (fig. W)

- ◆ Check the balance of the blade by putting the centre hole in the blade on to a nail or a round shank screwdriver that is clamped horizontally in a vice. If either end of the blade rotates downward, file that end of the blade until the blade is balanced.

Lubrication

No lubrication is necessary. Do not oil the wheels. They have plastic bearing surfaces which require no lubrication.

Cleaning

- ◆ Release the bail bar (2) to turn the lawnmower off and wait for the blade to come to a complete stop.
- ◆ Remove the safety key (1).
- ◆ Use only mild soap and a damp cloth to clean the mower.
- ◆ Use a blunt tool to clean out any clippings which may have accumulated on the underside of the mower.
- ◆ After several uses, check all exposed fasteners for tightness.

Preventing corrosion

Fertilisers and other garden chemicals contain agents which greatly accelerate the corrosion of metals. If you mow in areas where fertilisers or chemicals have been used, the mower should be cleaned immediately afterward as follows:

- ◆ Release the bail bar (2) to turn the lawnmower off and wait for the blade to come to a complete stop.
- ◆ Remove the safety key (1).
- ◆ Wipe all exposed parts with a damp cloth.

Transporting and storage

Warning! The rotating blade can cause serious injury. Release bail bar to turn mower off and remove the safety key before lifting, transporting or storing the mower. Store in a dry place.

Note: The mower will not be as heavy to lift if the battery pack is removed first. Do not use the latch as a lift point for the mower.

Storage

In warm climates, to ensure optimal performance it is recommended that the battery is maintained on constant charge. The battery may be stored with the charger disconnected if the following conditions are met.

- ◆ The battery is fully charged before storing.
- ◆ The average temperature of the storage location is below 10°C (50°F).

Troubleshooting

If your appliance seems not to operate properly, follow the instructions below. If this does not solve the problem, please contact your local Black & Decker repair agent.

Warning! Before proceeding, release the bail bar to turn mower off, wait for the blade to stop and remove the safety key.

Problem	Possible solution
Machine fails to operate	Check to make sure the safety key has been installed and is fully seated and that the lock off button is being completely depressed before moving the bail handle.
	Release the bail handle to turn mower off. Remove the safety key and battery pack, turn the mower over and check that the blade is free to turn.
	Check that the battery cavity is free of debris and that the battery is installed properly.
	Has the battery been fully charged? Press the state of charge button. Charge the battery if required.
Motor stops while mowing.	Release the bail handle to turn mower off. Remove the safety key and battery pack, turn the mower over and check that the blade is free to turn.
	Raise the cutting height of the wheels to the highest position and start the mower.
	Check that the battery cavity is free of debris and that the battery is installed properly.
	Has the battery been fully charged? Press the state of charge button. Charge the battery if required.
	Avoid overloading the mower. Slow down the cutting pace, or raise the cut height.

Problem	Possible solution
Machine leaves ragged finish or motor labours	Has the battery been fully charged? Press the state of charge button. Charge the battery if required.
	Release the bail handle to turn the mower off. Remove the safety key and battery pack. Turn the mower over and check: Blade for sharpness - Keep the blade sharp. Deck and discharge chute for clogging.
	Wheel height adjustment may be set too low for the grass condition. Raise the cutting height.
Mower is too hard to push.	Raise the cutting height to reduce deck drag on the grass. Check each wheel for free rotation.
Mower is abnormally noisy and vibrates.	Release the bail handle to turn the mower off. Remove the safety key and battery pack. Turn the mower on its side and check the blade to ensure it has not been bent or damaged. If the blade is damaged, replace with a Black & Decker replacement blade. If the underside of the deck is damaged, return mower to a Black & Decker Authorized service center
	If there is no visible damage to the blade and the mower still vibrates: Release the bail handle to turn mower off, remove the safety key and battery pack and then remove the blade. Rotate the blade through 180 degrees and re-fit. If mower still vibrates, return the mower to an authorized Black & Decker service center.
Mower not picking up clippings.	Chute clogged. Release the bail handle to turn mower off. Remove the safety key and battery pack. Clear the chute of grass clippings.
	Too much cut grass being cut. Raise the cutting height of wheels to shorten the length of the cut.
	Bag full. Empty bag more often.

Protecting the environment



Separate collection. This product must not be disposed of with normal household waste.

Should you find one day that your Black & Decker product needs replacement, or if it is of no further use to you, do not dispose of it with household waste. Make this product available for separate collection.



Separate collection of used products and packaging allows materials to be recycled and used again. Re-use of recycled materials helps prevent environmental pollution and reduces the demand for raw materials.

Local regulations may provide for separate collection of electrical products from the household, at municipal waste sites or by the retailer when you purchase a new product.

Black & Decker provides a facility for the collection and recycling of Black & Decker products once they have reached the end of their working life. To take advantage of this service please return your product to any authorised repair agent who will collect them on our behalf.

You can check the location of your nearest authorised repair agent by contacting your local Black & Decker office at the address indicated in this manual. Alternatively, a list of authorised Black & Decker repair agents and full details of our after-sales service and contacts are available on the Internet at: www.2helpU.com

Batteries



At the end of their useful life, discard batteries with due care for our environment:

- ◆ Run the battery down completely, then remove it from the tool.
- ◆ NiCd, NiMH and Li-Ion batteries are recyclable. Place the battery(s) in a suitable packaging to ensure that the terminals cannot be short-circuited. Take them to any authorised repair agent or a local recycling station.
- ◆ Do not short-circuit the battery terminals.
- ◆ Do not dispose of the battery(s) in a fire as this may result in a risk of personal injury or an Explosion.

Technical data

		CLM3820
		H 1
Input Voltage	V _{cc}	36
No-Load Speed	min ⁻¹	3300
Weight	kg	16.2
Battery		BL2036
Voltage	V _{cc}	36
Capacity	Ah	2
Type		Li-Ion
Charger		LCS36 typ. 1
Input Voltage	V _{cc}	230
Output Voltage	V _{cc}	36
Current	mA	1300
Approx. charge time	h	1.5-2.0

Hand/arm weighted vibration value:
= < 2.5 m/s², uncertainty (K) = 1.5 m/s².

L_m (sound pressure) 80 dB(A)
uncertainty (K) = 3 dB(A)

Area of cut:

- ◆ This mower can cut up to 300m² on a single 2Ah battery pack.
- ◆ This area (300m²) is achieved on a single, fully charged, 2Ah battery pack in dry conditions with the height adjustment lever in position 6 following light growth conditions.
- ◆ In damp conditions, lower height settings or heavy growth conditions the area of cut may be less than 300m².

EC declaration of conformity
MACHINERY DIRECTIVE
OUTDOOR NOISE DIRECTIVE



CLM3820

Black & Decker declares that these products described under "technical data" are in compliance with:

2006/42/EC, EN 60335-1, EN 60335-2-77

2000/14/EC, Lawn Mower, L < 50cm, Annex VI,

DEKRA Certification B.V., Utrechtseweg 310, ED Arnhem
Netherlands
Notified Body ID No.: 0344

Level of acoustic power according to 2000/14/EC (Article 12, Annex III, L ≤ 50 cm):

L_m (measured sound power) 93 dB(A)
uncertainty (K) = 3 dB(A)

L_m (guaranteed sound power) 96 dB(A)

These products also comply with directive 2004/108/EC and 2011/65/EU. For more information, please contact Black & Decker at the following address or refer to the back of the manual.

The undersigned is responsible for compilation of the technical file and makes this declaration on behalf of Black & Decker.

Kevin Hewitt
Vice-President Global Engineering
Black & Decker Europe, 210 Bath Road, Slough,
Berkshire, SL1 3YD
United Kingdom
11/12/2013

Guarantee

Black & Decker is confident of the quality of its products and offers an outstanding guarantee. This guarantee statement is in addition to and in no way prejudices your statutory rights. The guarantee is valid within the territories of the Member States of the European Union and the European Free Trade Area.

If a Black & Decker product becomes defective due to faulty materials, workmanship or lack of conformity, within 24 months from the date of purchase, Black & Decker guarantees to replace defective parts, repair products subjected to fair wear and tear or replace such products to ensure minimum inconvenience to the customer unless:

- ◆ The product has been used for trade, professional or hire purposes;
- ◆ The product has been subjected to misuse or neglect;
- ◆ The product has sustained damage through foreign objects, substances or accidents;
- ◆ Repairs have been attempted by persons other than authorised repair agents or Black & Decker service staff.

To claim on the guarantee, you will need to submit proof of purchase to the seller or an authorised repair agent. You can check the location of your nearest authorised repair agent by contacting your local Black & Decker office at the address indicated in this manual. Alternatively, a list of authorised Black & Decker repair agents and full details of our after-sales service and contacts are available on the Internet at: www.2helpU.com

Please visit our website www.blackanddecker.co.uk to register your new Black & Decker product and to be kept up to date on new products and special offers. Further information on the Black & Decker brand and our range of products is available at www.blackanddecker.co.uk

Australia

Black & Decker (Australia) Pty. Ltd.
20 Fletcher Road, Mooroolbark,
Victoria, 3138

Tel. 03-8720 5100
Fax 03-9727 5940

New Zealand

Black & Decker
5 Te Apunga Place
Mt Wellington
Auckland 1060

Tel. +64 9 259 1133
Fax +64 9 259 1122

United Kingdom

Black & Decker
210 Bath Road
Slough, Berkshire SL1 3YD

Tel. 01753 511234
Fax 01753 551155

Free Manuals Download Website

<http://myh66.com>

<http://usermanuals.us>

<http://www.somanuals.com>

<http://www.4manuals.cc>

<http://www.manual-lib.com>

<http://www.404manual.com>

<http://www.luxmanual.com>

<http://aubethermostatmanual.com>

Golf course search by state

<http://golfingnear.com>

Email search by domain

<http://emailbydomain.com>

Auto manuals search

<http://auto.somanuals.com>

TV manuals search

<http://tv.somanuals.com>