



BLACK & DECKER®

40v Max* Lithium Cordless Mower

INSTRUCTION MANUAL

**Catalog Number
CM1640**



KEY INFORMATION YOU SHOULD KNOW:

- Do not operate mower unless handle is locked into position.
- For best cutting results, keep blade sharpened and balanced.
- Inspect and thoroughly clean your mower after each use (a deck with caked grass will degrade performance).
- Make sure mowing area is clear of other persons or pets prior to starting and during operation.

Thank you for choosing Black & Decker!

Go to www.BlackandDecker.com/NewOwner to register your new product.

PLEASE READ BEFORE RETURNING THIS PRODUCT FOR ANY REASON:

If you have a question or experience a problem with your Black & Decker purchase, go to

[HTTP://WWW.BLACKANDDECKER.COM/INSTANTANSWERS](http://www.BlackandDecker.com/InstantAnswers)

for instant answers 24 hours a day. If you can't find the answer or do not have access to the internet, call 1-800-544-6986 from 8 a.m. to 5 p.m. EST Mon. - Fri. to speak with an agent. Please have the catalog number available when you call.

For use only with LB series 36v or 40v Max* batteries.

*Maximum initial battery pack voltage (measured without a workload) is 40 volts. The nominal voltage is 36.


VEA EL ESPAÑOL EN LA CONTRAPORTADA.


INSTRUCTIVO DE OPERACIÓN, CENTROS DE SERVICIO Y PÓLIZA DE GARANTÍA. **ADVERTENCIA:** LÉASE ESTE INSTRUCTIVO ANTES DE USAR EL PRODUCTO.

SAVE THIS INSTRUCTION MANUAL FOR FUTURE REFERENCE.

SAFETY GUIDELINES - DEFINITIONS

It is important for you to read and understand this manual. The information it contains relates to protecting YOUR SAFETY and PREVENTING PROBLEMS. The symbols below are used to help you recognize this information.

 **DANGER:** Indicates an imminently hazardous situation which, if not avoided, will result in death or serious injury.

 **WARNING:** Indicates a potentially hazardous situation which, if not avoided, could result in death or serious injury.

 **CAUTION:** Indicates a potentially hazardous situation which, if not avoided, may result in minor or moderate injury.

NOTICE: Used without the safety alert symbol indicates potentially hazardous situation which, if not avoided, may result in property damage.

The following are explanations of important safety hazard pictorials on the mower.



1. User must read and understand the instruction manual.



2. To avoid the risk of serious injury do not mow up and down slopes. Always mow across slopes.



3. To avoid the risk of injury to bystanders keep all persons and pets at a safe distance from the mower while operating.




4. Rotating blades can cause serious injury. Keep hands and feet clear of mower deck and discharge opening at all times. Always be sure blade has stopped (wait for the blade to stop rotating (approximately 3 seconds) after releasing bail handle and removing the safety key) before removing and replacing grass catcher, cleaning, servicing, transporting or lifting the mower.



5. Objects struck by mower blade can cause serious injury. Stay behind the handle when the motor is running. Always ensure persons and pets are clear of the discharge from the mower while operating. Always inspect mowing area before mowing and remove objects

that could be thrown by blade. Release bail handle to turn mower off and wait for the blade to stop rotating (approximately 3 seconds) before crossing walk, roads, patio and gravel drives.

WARNING: IMPORTANT SAFETY WARNINGS AND INSTRUCTIONS

 **WARNING:** When using electric lawn mowers, basic safety precautions should always be followed to reduce the risk of fire, electric shock, and personal injury, including the following:

READ ALL INSTRUCTIONS

TO REDUCE RISK OF INJURY:

- Before any use, be sure everyone using this tool reads and understands all safety instructions and other information contained in this manual.
- Save these instructions and review frequently prior to use and in instructing others.

DANGER: IMPORTANT SAFE PRACTICES FOR WALK-BEHIND MOWERS

This mower is capable of amputating hands and feet and throwing objects. Failure to observe the following safety instructions could result in serious injury or death.

GENERAL OPERATION

1. Read, understand, and follow all instructions on the mower and in the instruction manual before starting.
2. Do not put hands or feet near or under the mower. Keep clear of the discharge opening at all times.
3. Only allow responsible adults, who are familiar with the instructions, to operate this mower.
4. Clear the area where the mower is to be used of objects such as rocks, sticks, wire, toys, bones, etc., which could be thrown by the blade. Objects struck by the blade can cause severe injury to persons. Stay behind the handle when the motor is running.
5. Be sure the area surrounding the mower is clear of bystanders before operating. All bystanders and pets should be kept at a safe distance. Stop the mower if anyone enters the area surrounding the mower.
6. Do not operate mower barefooted or while wearing sandals. Always wear substantial footwear.
7. Do not pull mower backward unless absolutely necessary. Always look down and behind before and while moving backward.
8. Never direct discharged material toward anyone. Avoid discharging material against a wall or obstruction. Material may ricochet back toward the operator. Release bail handle to turn mower off and stop the blade when crossing gravel surfaces.
9. Do not operate mower without the entire grass catcher, discharge guard, rear guard, or other safety protective devices in place and working. Periodically check all guards and safety protective devices

- to ensure they are in good working order and will operate properly and perform their intended function. Replace a damaged latch, guard or other safety device before further use.
10. Never leave a running mower unattended.
11. Always release the bail handle to stop the motor and wait until the blade comes to a complete stop and remove the safety key before cleaning the mower, removing the grass catcher, un-clogging the discharge guard, when leaving the mower, or before making any adjustments, repairs or inspections.
12. Operate mower only in daylight or good artificial light when objects in the path of the blade are clearly visible from the operating area of the mower.
13. Do not operate mower while under the influence of alcohol or drugs, or when you are tired or ill. Always stay alert, watch what you are doing, and use common sense.
14. Avoid dangerous environments. Never operate mower in damp or wet grass, never use mower in the rain. Always be sure of your footing; walk; never run.
15. Disengage the drive system, if so equipped, before starting the motor.
16. If the mower should start to vibrate abnormally, release the bail handle, wait for the blade to stop and remove the safety key and battery pack, then check for the cause immediately. Vibration is generally a warning of trouble.
17. Always wear proper eye and respiratory protection when operating the mower.
18. The use of any accessory or attachment not recommended for use with this mower could be hazardous. Only use accessories approved by Black & Decker.
19. Never overreach while operating the mower. Always be sure to keep proper footing and balance at all times while operating the mower.

SLOPE OPERATION

Slopes are a major factor related to slip and fall accidents, which can result in severe injury. Operation on all slopes requires extra caution. If you feel uneasy on a slope, do not mow it.

1. Mow across the face of slopes; never up and down. Exercise extreme caution when changing direction on slopes.
2. Watch for holes, ruts, bumps, rocks, or other hidden objects. Uneven terrain could cause a slip and fall accident. Tall grass can hide obstacles.
3. Do not mow on wet grass or excessively steep slopes. Poor footing could cause a slip and fall accident.
4. Do not mow near drop-offs, ditches, or embankments. You could lose your footing or balance.

CHILDREN

Tragic accidents can occur if the operator is not alert to the presence of children. Children are often attracted to the mower and the mowing activity. Never assume that children will remain where you last saw them.

1. Keep children out of the mowing area and under the watchful care of a responsible adult other than the operator.
2. Be alert and turn mower off if a child enters the area.
3. Never allow children to operate the mower.
4. Use extra care when approaching blind corners, shrubs, trees, or other objects that may block your view of a child.

GENERAL SERVICE

1. Never operate mower in a closed area.
2. Keep all nuts and bolts tight to be sure the equipment is in safe working condition.
3. Never tamper with safety devices. Check their proper operation regularly.
4. Keep mower free of grass, leaves, or other debris build-up. Allow mower to cool before storing.
5. If you strike a foreign object, release bail handle to turn mower off, wait for the blade to stop and remove the safety key and battery pack, then inspect the mower. Repair, any damage, before starting and operating the mower.
6. Never make any adjustments or repairs with the motor running or while the safety key is in the mower.
7. Always remove safety key and battery pack before adjusting, cleaning, repairing, inspecting, transporting, storing or leaving the mower.
8. Check grass catcher components and the discharge guard frequently and when necessary replace with Black & Decker recommended parts only.
9. Mower blades are sharp. Wrap the blade or wear gloves, and use extra caution when servicing them.
10. Maintain or replace safety and instruction labels, as necessary.

This device complies with Part 15 of the FCC Rules. Operation is subject to the following two conditions: (1) this device may not cause harmful interference, and (2) this device must accept any interference received, including interference that may cause undesired operation.

NOTE: This equipment has been tested and found to comply with the limits for Class B digital device, pursuant to part 15 of the FCC Rules. These limits are designed to provide reasonable protection against harmful interference in a residential installation. This equipment generates, uses and can radiate radio frequency energy and, if not installed and used in accordance with the instructions, may cause harmful interference to radio communications. However, there is no guarantee that interference will not occur in a particular installation. If this equipment does cause harmful interference to radio or television reception, which can be determined by turning the equipment off and on, the user is encouraged to try to correct the interference by one or more of the following measures:

- . Reorient or relocate the receiving antenna.
 - . Increase the separation between the equipment and the receiver.
 - . Connect the equipment into an outlet on a circuit different from that to which the receiver is connected.
 - . Consult the dealer or an experienced radio/TV technician for help.
- Changes or modifications to this unit not expressly approved by the party responsible for compliance could void the user's authority to operate the equipment. This Class B digital apparatus complies with Canadian ICES-003.

SAVE THESE INSTRUCTIONS

⚠ **WARNING: GENERAL SAFETY WARNINGS AND INSTRUCTIONS FOR ALL TOOLS**

- **THIS TOOL CAN BE DANGEROUS.** Follow all warnings and Safety Instructions in this manual. The operator is responsible for following warnings and instructions in this manual and on unit. Restrict use of this mower to persons who read, understand and follow warnings and instructions in this manual and on unit.
- **Avoid Dangerous Environment** – Don't use lawn mowers in damp or wet locations.
- **Don't Use In Rain.**
- **Keep Children Away** – All visitors should be kept a safe distance from work area.
- **Dress Properly** – Do not wear loose clothing or jewelry. They can be caught in moving parts. Use of rubber gloves and footwear is recommended when working outdoors.
- **Use Safety Glasses** – Always use face or dust mask if operation is dusty.
- **Use Right Appliance** – Do not use lawn mower for any job except that for which it is intended.

• **USE OF EXTENSION CORDS**

Make sure the extension cord is in good condition before using. Always use the proper size extension cords with the tool – that is, proper wire size for various lengths of cord and heavy enough to carry the current the tool will draw. Use of an undersized cord will cause a drop in line voltage resulting in loss of power and overheating. For proper size cords see chart below.

Volts	Minimum Gauge for Cord Sets				
	Total Length of Cord in Feet				
120V	0-25	26-50	51-100	101-150	
	(0-7,6m)	(7,6-15,2m)	(15,2-30,4m)	(30,4-45,7m)	
240V	0-50	51-100	101-200	201-300	
	(0-15,2m)	(15,2-30,4m)	(30,4-60,9m)	(60,9-91,4m)	
Ampere Rating		American Wire Gauge			
More Than	Not more Than				
0	- 6	18	16	16	14
6	- 10	18	16	14	12
10	- 12	16	16	14	12
12	- 16	14	12	Not Recommended	

- **CHECK FOR DAMAGED PARTS.** Before further use of the mower, a guard or other part that is damaged should be carefully checked to determine that it will operate properly and perform its intended function. Check for alignment of moving parts, binding of moving parts, breakage of parts, mounting, and any other conditions that may affect their operation. A guard or other part that is damaged should be properly repaired or replaced by an authorized service center unless otherwise indicated elsewhere in this manual.
- **REPAIRS AND SERVICE.** Repairs, maintenance and any adjustments not specified in this manual should be performed by Black & Decker authorized service centers or other qualified service organizations, always using identical replacement parts.

⚠ **DANGER: ADDITIONAL WARNINGS FOR MOWERS**

- **Don't Force Lawn Mower** – It will do the job better and safer at the rate for which it was designed.
- **Don't Overreach** – Keep proper footing and balance at all times.
- **Stay Alert** – Watch what you are doing. Use common sense. Do not operate lawn mower when you are tired.

- **Store Idle Lawn Mower Indoors** – When not in use, lawn mower should be stored in an indoor dry and locked-up place – out of reach of children.
- **Maintain Lawn Mower With Care** – Keep cutting edges sharp and clean for best and safest performance.
- **Keep guards in place and in working order.**
- **Keep blades sharp.**
- **Keep hands and feet away from cutting area.**
- **Objects struck by the lawn mower blade can cause severe injuries to persons.** The lawn should always be carefully examined and cleared of all objects prior to each mowing.
- **If lawn mower strikes a foreign object, follow these steps:**
 - . Stop lawn mower. Release the bail handle.
 - . Remove battery and safety key.
 - . Inspect for damage.
 - . Repair any damage before restarting and operating the lawn mower.

• **Use identical replacement blades only**

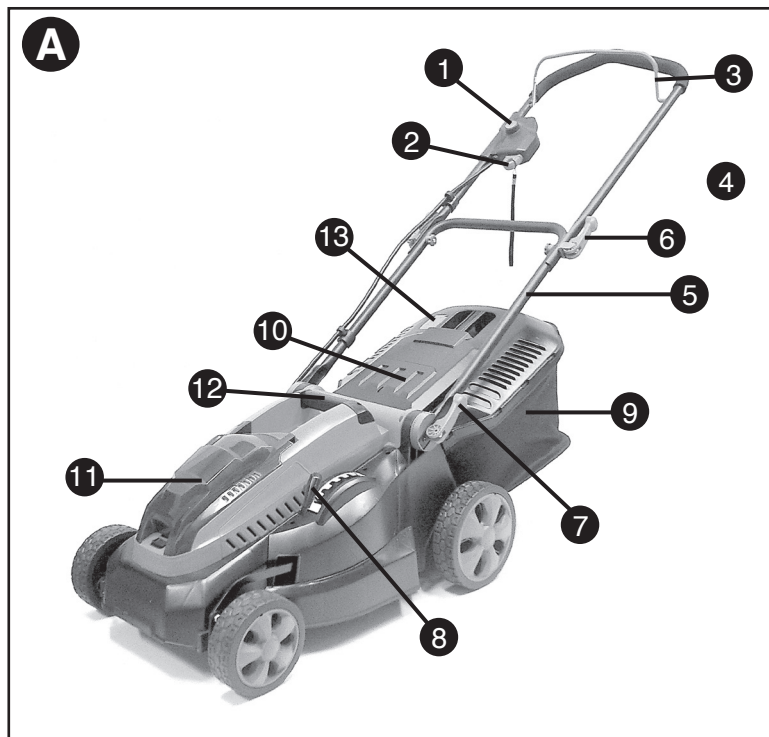
⚠ WARNING: Some dust created by this product contains chemicals known to the State of California to cause cancer, birth defects or other reproductive harm. Some examples of these chemicals are:

- . compounds in fertilizers
- . compounds in insecticides, herbicides and pesticides
- . arsenic and chromium from chemically treated lumber

To reduce your exposure to these chemicals, wear approved safety equipment such as dust masks that are specially designed to filter out microscopic particles.

FUNCTIONAL DESCRIPTION (FIG. A)

- | | |
|-----------------------------------|-----------------------------------|
| 1. Switch box | 2. Safety key |
| 3. Bail handle | 4. Upper-handle |
| 5. Lower-handle | 6. Upper-handle attachment levers |
| 7. Lower-handle attachment levers | 8. Cut height adjust lever |
| 9. Grass collection bag | 10. Rear flap |
| 11. Battery port | 12. Carrying handle |
| 13. Stop/go indicator | |



IMPORTANT SAFETY INSTRUCTIONS FOR BATTERY CHARGERS

SAVE THESE INSTRUCTIONS: This manual contains important safety instructions for battery chargers.

- Before using charger, read all instructions and cautionary markings on charger, battery pack, and product using battery pack.

⚠ WARNING: Shock hazard. Do not allow any liquid to get inside charger.

⚠ CAUTION: Burn hazard. To reduce the risk of injury, charge only designated **Black & Decker** batteries. Other types of batteries may burst causing personal injury and damage.

⚠ CAUTION: Under certain conditions, with the charger plugged in to the power supply, the charger can be shorted by foreign material. Foreign materials of a conductive nature such as, but not limited to, steel wool, aluminum foil, or any buildup of metallic particles should be kept away from charger cavities. Always unplug the charger from the power supply when there is no battery pack in the cavity. Unplug charger before attempting to clean.

⚠WARNING:

- **DO NOT attempt to charge the battery pack with any chargers other than the ones in this manual.** The charger and battery pack are specifically designed to work together.
- **These chargers are not intended for any uses other than charging designated Black & Decker rechargeable batteries.** Any other uses may result in risk of fire, electric shock or electrocution.
- **⚠WARNING: The charger supplied with this product is intended to be plugged in such that it is correctly orientated in a vertical or floor mount position.**
- **Do not expose charger to rain or snow.**
- **Pull by plug rather than cord when disconnecting charger.** This will reduce risk of damage to electric plug and cord.
- **Make sure that cord is located so that it will not be stepped on, tripped over, or otherwise subjected to damage or stress.**
- **Do not use an extension cord unless it is absolutely necessary.** Use of improper extension cord could result in risk of fire, electric shock, or electrocution.
- **Do not place any object on top of charger or place the charger on a soft surface that might block the ventilation slots and result in excessive internal heat. Place the charger in a position away from any heat source.** The charger is ventilated through slots in the top and the bottom of the housing.
- **Do not mount charger on wall or permanently affix charger to any surface.** The charger is intended to use on a flat, stable surface (i.e., table top, bench top).
- **Do not operate charger with damaged cord or plug — have them replaced immediately.**
- **Do not operate charger if it has received a sharp blow, been dropped, or otherwise damaged in any way. Take it to an authorized service center.**
- **Do not disassemble charger; take it to an authorized service center when service or repair is required.** Incorrect reassembly may result in a risk of electric shock, electrocution or fire.
- **Disconnect the charger from the outlet before attempting any cleaning.** This will reduce the risk of electric shock. Removing the battery pack will not reduce this risk.
- **NEVER attempt to connect 2 chargers together.**
- **The charger is designed to operate on standard household electrical power (120 Volts). Do not attempt to use it on any other voltage.**

IMPORTANT SAFETY INSTRUCTIONS FOR BATTERY PACKS

⚠WARNING: For safe operation, read this manual and manuals originally supplied with tool before using the charger.

The battery pack is not fully charged out of the carton. Before using the battery pack and charger, read the safety instructions below. Then follow charging procedures outlined.

READ ALL INSTRUCTIONS

- **Do not incinerate the battery pack even if it is severely damaged or is completely worn out.** The battery pack can explode in a fire. Toxic fumes and materials are created when battery packs are burned.
- **Do not charge or use battery in explosive atmospheres, such as in the presence of flammable liquids, gases or dust.** Inserting or removing the battery from the charger may ignite the dust or fumes.
- **If battery contents come into contact with the skin, immediately wash area with mild soap and water. If battery liquid gets into the eye, rinse water over the open eye for 15 minutes or until irritation ceases. If medical attention is needed, the battery electrolyte for Li-ion batteries is composed of a mixture of liquid organic carbonates and lithium salts.**
- **Contents of opened battery cells may cause respiratory irritation. Provide fresh air. If symptoms persist, seek medical attention.**

⚠WARNING: Burn hazard. Battery liquid may be flammable if exposed to spark or flame.

- **Charge the battery packs only in Black & Decker chargers.**
- **DO NOT splash or immerse in water or other liquids.** This may cause premature cell failure.
- **Do not store or use the tool and battery pack in locations where the temperature may reach or exceed 105°F (40°C) (such as outside sheds or metal buildings in summer).**

⚠WARNING: Never attempt to open the battery pack for any reason. If battery pack case is cracked or damaged, do not insert into charger. Do not crush, drop or damage battery pack. Do not use a battery pack or charger that has received a sharp blow, been dropped, run over or damaged in any way (i.e., pierced with a nail, hit with a hammer, stepped on). Damaged battery packs should be returned to service center for recycling.

⚠WARNING: Fire hazard. Do not store or carry battery so that metal objects can contact exposed battery terminals. For example, do not place battery in aprons, pockets, tool boxes, product kit boxes, drawers, etc., with loose nails, screws, keys, etc. Transporting batteries can possibly cause fires if the battery terminals inadvertently come in contact with conductive materials such as keys, coins, hand tools and the like. The US Department of Transportation Hazardous Material Regulations (HMR) actually prohibit transporting batteries in commerce or on airplanes (i.e., packed in suitcases and carry-on luggage) UNLESS they are properly protected from short circuits. So

when transporting individual batteries, make sure that the battery terminals are protected and well insulated from materials that could contact them and cause a short circuit. **NOTE: Batteries should not be put in checked baggage.**

STORAGE RECOMMENDATIONS


1. The best storage place is one that is cool and dry away from direct sunlight and excess heat or cold.
2. Long-term storage will not harm the battery pack or the charger as long as the battery is not depleted..


CHARGING PROCEDURE

Black and Decker chargers are designed to charge Black and Decker battery packs: LCS36 (2 hrs), LCS436 (6 hrs).

1. Plug the charger into an appropriate outlet before inserting the battery pack.

2. Insert the battery pack into the charger.

 3. The green LED will flash indicating that the battery is being charged.


 4. The completion of charge is indicated by the green LED remaining on continuously. The pack is fully charged and may be used at this time or left on the charger.

Recharge discharged batteries as soon as possible after use or battery life may be greatly diminished.


CHARGER DIAGNOSTICS

This charger is designed to detect certain problems that can arise with the battery packs or the power source. Problems are indicated by one LED flashing in different patterns.

BAD BATTERY

 The charger can detect a weak or damaged battery. The red LED flashes in the pattern indicated on the label. If you see this bad battery blink pattern, do not continue to charge the battery. Return it to a service center or a collection site for recycling.

HOT/COLD PACK DELAY

 When the charger detects a battery that is excessively hot or excessively cold, it automatically starts a Hot/Cold Pack Delay, suspending charging until the battery has normalized. After this happens, the charger automatically switches to the Pack Charging mode. This feature ensures maximum battery life. The red LED flashes in the pattern indicated on the label when the hot / cold pack delay is detected.

LEAVING THE BATTERY IN THE CHARGER

The charger and battery pack can be left connected with the green LED glowing indefinitely. The charger will keep the battery pack fresh and fully charged.

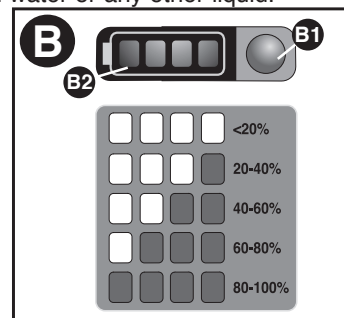
IMPORTANT CHARGING NOTES

1. Longest life and best performance can be obtained if the battery pack is charged when the air temperature is between 60°F and 80°F (16° - 27°C). **DO NOT** charge the battery pack in an air temperature below +40°F (+4.5°C), or above +105°F (+40.5°C). This is important and will prevent serious damage to the battery pack.
2. The charger and battery pack may become warm to touch while charging. This is a normal condition, and does not indicate a problem. To facilitate the cooling of the battery pack after use, avoid placing the charger or battery pack in a warm environment such as in a metal shed, or an uninsulated trailer.
3. If the battery pack does not charge properly:
 - a. Check current at receptacle by plugging in a lamp or other appliance
 - b. Check to see if receptacle is connected to a light switch which turns power off when you turn out the lights.
 - c. Move charger and battery pack to a location where the surrounding air temperature is approximately 60°F - 80°F (16° - 27°C).
 - d. If charging problems persist, take the tool, battery pack and charger to your local service center.
4. The battery pack should be recharged when it fails to produce sufficient power on jobs which were easily done previously. **DO NOT CONTINUE** to use under these conditions. Follow the charging procedure. You may also charge a partially used pack whenever you desire with no adverse affect on the battery pack.
5. Foreign materials of a conductive nature such as, but not limited to, steel wool, aluminum foil, or any buildup of metallic particles should be kept away from charger cavities. Always unplug the charger from the power supply when there is no battery pack in the cavity. Unplug charger before attempting to clean.
6. Do not freeze or immerse charger in water or any other liquid.

⚠WARNING: Shock hazard. Do not allow any liquid to get inside charger. **Never attempt to open the battery pack for any reason.** If the plastic housing of the battery pack breaks or cracks, return to a service center for recycling.

STATE OF CHARGE INDICATOR (FIGURE B)

The battery is equipped with a state of charge indicator. This can be used to display the current level of charge in the battery while in the mower and during



charging. It does not indicate tool functionality and is subject to variation based on product components, temperature and end-user application.

Checking state of charge during use:

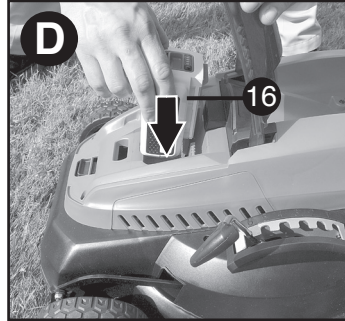
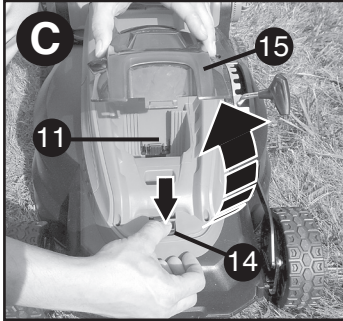
- Press the state of charge indicator button (B1).
- The four LEDs (B2) will illuminate indicating the percent of charge in the battery. See chart in **figure B**.
- If LED light does not illuminate, charge battery.

INSTALLING AND REMOVING THE BATTERY PACK

⚠WARNING: Make certain the safety key is removed to prevent actuation before removing or installing battery.

TO INSTALL BATTERY PACK:

- Depress the battery port cover release button (14) and pull the battery port cover (15) up to expose the battery port (11) as shown in **figure C**.
- Slide the battery (16) into the battery port until it is fully seated and an audible click is heard (**figure D**). Make sure battery pack is fully seated and fully latched into position.
- Close the battery port cover. Ensure the cover is fully latched before starting mower.



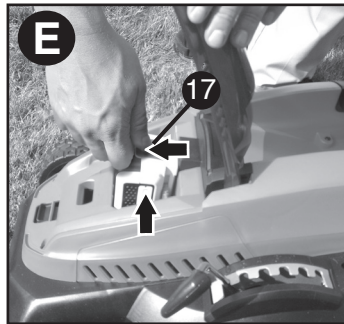
This product can accept any of the batteries and chargers listed in the chart below.

LI-ION Battery Packs and Chargers

Description	Cat. #
Batteries: LI-ION	LBX36 LBXR36 LBXR2036
Chargers: LI-ION	LCS36 LCS436

TO REMOVE BATTERY PACK:

- Open the battery port cover (15) as described above.
- Depress the battery release button (17) on the battery pack and pull battery pack out of tool as shown in **figure E**.



ASSEMBLY

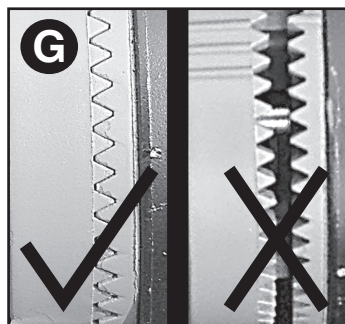
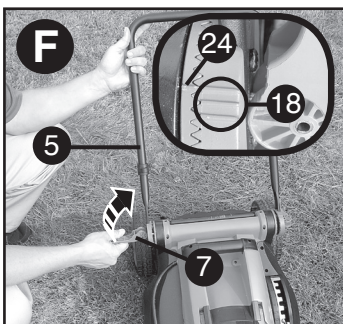
⚠WARNING: Before assembly, make sure the bail handle is released and the safety key is removed.

ATTACHING LOWER HANDLE

- Lift lower handle (5) into place making sure one of the three notches (18) on the lower handle (inset of **Figure F**) line up with the notch (24) located on the base of the mower.

NOTE: Ensure each side of the lower handle is set on the same notch.

- Close the handle height adjust levers (7) as shown in **Figure F**. As you close each, make sure the teeth are engaged as shown in **Figure G**.
- If the connection between the handle and lever is too tight or loose, open the lever and adjust the depth of the lever by turning the lever. Close it again until the teeth are fully clasped and each lever stays securely closed.



ATTACHING UPPER HANDLE (FIGURE H)

- Remove the handle attachment levers (6), nuts (19), and washers (20) from the handle.
- Line up the holes on the bottom of the upper hand (4) with the holes on the top of the lower handle (5).

NOTE: Make sure the cord is located on the front of both handles. If it is not it may result in the cord tangling and the inability to easily store the mower.

- Slide the lever through the holes.
- Slide the washer over the bolt of the lever and hand-tighten the entire assembly with the nut.
- Rotate the upper handle into its operating position.
- Close the lever. If it is too tight or too loose, open the lever and turn it to adjust the clamping. Check the levers by closing them. You should be able to collapse the upper handle when both levers are loose and the upper handle needs to be tightly held to the lower handle when the levers are closed. Adjust the lever operation by turning the nut while the lever is in the open position until the handle can move and also be secured as described above.

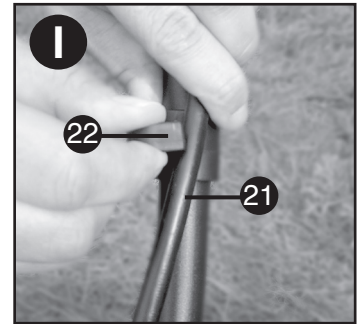
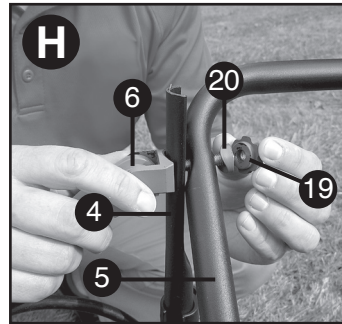
SECURING THE MOTOR CABLE (FIGURE I)

⚠CAUTION: Attach cable so that it does not become stretched or pinched in the joints of the handles during use or folding. This can cause damage to the cord.

The motor cable (21) has to be fixed to the handles using the cable restraints (22) that are already attached to the handle.

To clip the cable to the handle:

- Run the cable up the front of the lower and upper handles.
- Pull back the cable restraint.
- Slide the motor cable under the clip and ensure it is fully held in place by the restraint.

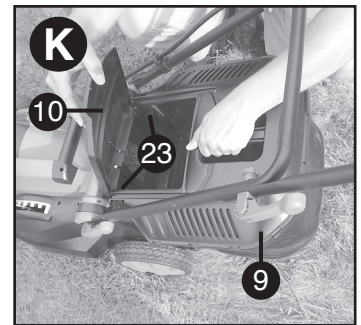
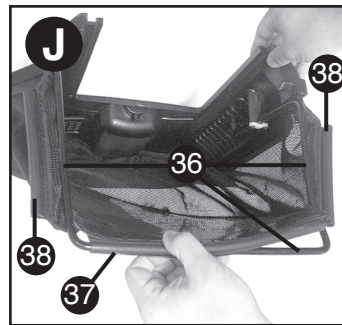


ASSEMBLING THE GRASS COLLECTION BAG (FIGURE J)

- Slide the long bag hook (37) on top of the rod (36) and snap the hook in place around the rod.
- Attach the two short bag hooks (38) on the outside of the rod.
- Ensure all three hooks are fully attached.

ATTACHING THE GRASS COLLECTION BAG (FIGURE K)

- Lift the rear flap (10) and place the grass collection bag (9) over the lugs (23) as shown in **Figure K**.



OPERATION

READ THIS INSTRUCTION MANUAL AND SAFETY RULES

BEFORE OPERATING YOUR MOWER. See “Functional Description” to familiarize yourself with the location of various controls and adjustments. Save this manual for future reference.

⚠WARNING: Sharp moving blade. Do not operate the mower if the rear door is not closed under spring tension as serious injury could result. Take your mower to the nearest service center for repair.

⚠WARNING: Sharp moving blade. Never operate the mower unless the hanger hooks on the grass catcher are seated properly on the mower and the rear discharge door rests firmly against the top of the grass catcher as serious injury could result.

⚠WARNING: Do not operate mower without collection bag (9) attached.

⚠WARNING: Let the appliance work at its own pace. Do not overload.

ADJUSTING HANDLE HEIGHT (FIGURE L)

- Open both handle height adjust levers (7).
- Adjust the handle so one of the three notches (18) on the handle line up to the notch (24) on the base of the mower. Ensure the handle is set to the same notch on both sides of the mower.
- Close both levers and ensure the handle is firmly latched.

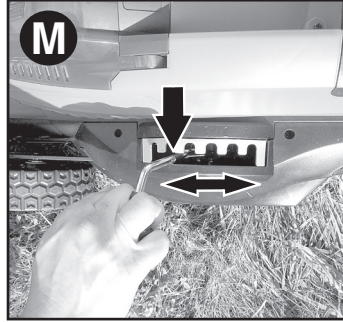
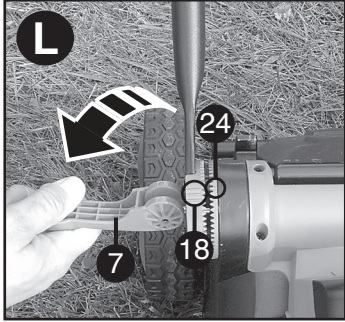
ADJUSTING MOWER HEIGHT (FIGURE M)

The height of cut is adjusted by the central height adjust mechanism, there are 6 positions to choose from.

NOTE: Begin mowing with height adjustment lever (8) in position 6 and adjust the height down as needed

To set the height of cut

- Pull the mower height adjustment lever (8) away from the body of the unit
- Move the lever towards the rear of the appliance to lower the height of cut.
- Move the lever towards the front of the appliance to raise the height of cut.
- Push the height adjustment lever into one of the 6 height locations.



SAFETY KEY

⚠ DANGER : SHARP MOVING BLADE.

In order to prevent accidental start-up or unauthorized use of your Cordless Mower, a removable safety key (2) has been incorporated into the design of your mower. The mower will be completely disabled when the safety key has been removed from the mower.

NOTE: THE SAFETY KEY HAS A HOLE IN THE CENTER TO ALLOW FOR STORAGE ON A NAIL, OUT OF THE REACH OF CHILDREN. DO NOT TETHER SAFETY KEY TO MOWER.

⚠ **DANGER: ROTATING BLADES CAN CAUSE SERIOUS INJURY. TO PREVENT SERIOUS INJURY, REMOVE SAFETY KEY WHEN UNATTENDED, OR WHEN CHARGING, CLEANING, SERVICING, TRANSPORTING, LIFTING, OR STORING MOWER.**

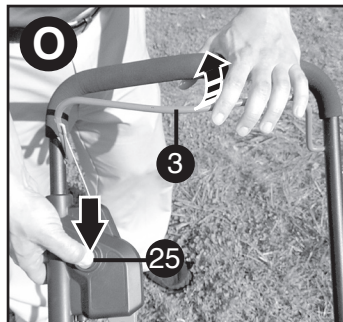
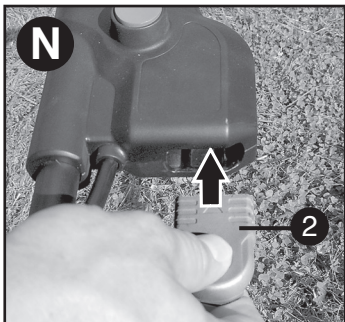
STARTING MOWER

⚠ **DANGER: SHARP MOVING BLADE. NEVER ATTEMPT TO OVERRIDE THE OPERATION OF THIS SWITCH AND SAFETY KEY SYSTEM AS SERIOUS INJURY COULD RESULT.**

- Insert safety key (2) into the switch housing until it is fully seated inside housing as shown in **Figure N**. The mower is now operational.
- Your mower is equipped with a special on-off switch box. To operate the mower, push the button (25) on the switch box, then pull the bail handle (3) to the handlebar as shown in **Figure O**.
- To turn the mower off, just release the bail handle.

⚠ **WARNING:** Never attempt to lock a switch in the on position.

NOTE: Once the bail handle has returned to the original position it will activate the “Automatic Braking Mechanism”. The motor is electrically braked and the mower blade will stop rotating in 3 seconds or less.



MOWER OVERLOAD

To prevent damage due to overload conditions, do not try to remove too much grass at one time. Slow down your cutting pace, or raise the cut height.

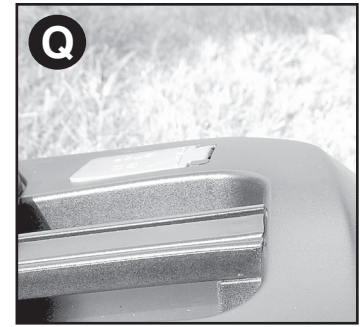
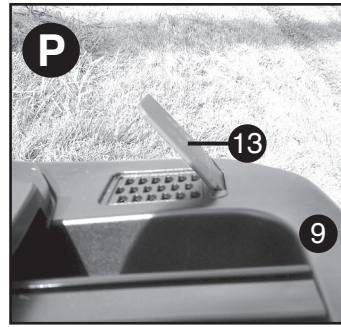
FULL-BAG INDICATOR

This mower is equipped with an indicator (13) that tells you when the grass collection bag (9) is full.

- When the bag is empty and the mower is being operated, the indica-

tor will raise as shown in **Figure P**.

- When the bag is full, air flow will be restricted and the indicator will close as shown in **Figure Q**.



STORING THE MOWER

⚠ **WARNING:** Rotating blade can cause serious injury. Release bail handle (3) to turn mower off and remove battery before lifting, transporting, or storing the mower. Store in a dry place.

⚠ **CAUTION: Pinch point.** To avoid being pinched, keep fingers away from area between handles when folding down handles.

⚠ **CAUTION:** Make sure cord does not become stretched or pinched in the joints of the handles during folding. This can cause damage to the cord.

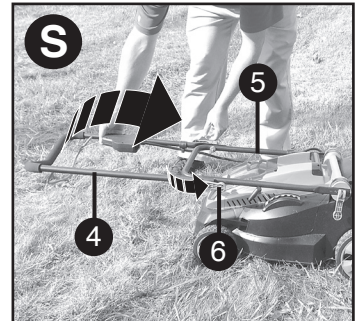
The handle of the mower can be easily folded down for quick and convenient storage.

- Holding onto the handle, open, but do not remove, the handle height adjust levers (7) and fold the handle to the front of the mower as shown in **Figure R**.
- Open, but do not remove, the handle attachment levers (6) and fold the upper handle (4) back over the lower handle (5) as shown in **Figure S**.
- The mower should be compacted down as shown in **Figure T**.

CARRYING THE MOWER

⚠ **DANGER: ROTATING BLADES CAN CAUSE SERIOUS INJURY. TO PREVENT SERIOUS INJURY, REMOVE SAFETY KEY WHEN UNATTENDED, OR WHEN CHARGING, CLEANING, SERVICING, TRANSPORTING, LIFTING, OR STORING MOWER.**

- The mower can be carried using the convenient carry handle (12) as shown in **Figure U**.



MOWING TIPS

NOTE: ALWAYS INSPECT AREA WHERE MOWER IS TO BE USED AND REMOVE ALL STONES, STICKS, WIRE, BONES, AND OTHER DEBRIS WHICH MIGHT BE THROWN BY THE ROTATING BLADE.

1. Mow across the face of slopes, never up-and-down. Exercise extreme caution when changing direction on slopes. Do not mow excessively steep slopes. Always maintain good footing.
2. Release bail handle to turn mower “OFF” when crossing any gravel area (stones can be thrown by the blade).
3. Set mower at highest cutting height when mowing in rough ground or in tall weeds. Removing too much grass at one time can cause the motor to be overloaded and to stop. Refer to troubleshooting guide.
4. If a grass catcher is used during the fast growing season, the grass

may tend to clog up at the discharge opening. Release bail handle to turn mower off and remove the safety key. Remove the catcher and shake the grass down to the back end of the bag. Also clean out any grass or debris which may be packed around the discharge opening. Replace the grass catcher.

5. If mower should start to vibrate abnormally, release bail handle to turn mower off and remove safety key. Check immediately for cause. Vibration is a warning of trouble. Do not operate mower until a service check has been made. Refer to troubleshooting guide in manual.

6. **ALWAYS RELEASE BAIL HANDLE TO TURN MOWER OFF AND REMOVE SAFETY KEY WHEN LEAVING IT UNATTENDED EVEN FOR A SHORT PERIOD OF TIME.**

THE FOLLOWING SUGGESTIONS WILL HELP YOU TO OBTAIN OPTIMUM RUN TIME FROM YOUR CORDLESS MOWER:

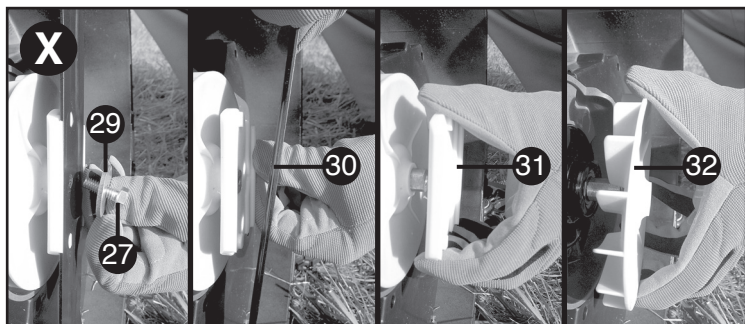
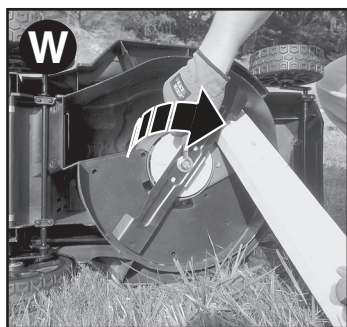
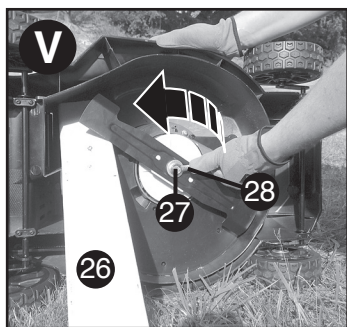
1. Slow down in areas where the grass is especially long or thick.
2. Avoid mowing when the grass is wet from rain or dew-soaked.
3. Cut your lawn frequently, especially during high growth periods.

NOTE: IT IS RECOMMENDED THAT YOUR MOWER BE RECHARGED AFTER USE TO PROLONG THE BATTERY LIFE. FREQUENT CHARGING WILL NOT HARM YOUR BATTERY, AND WILL ENSURE THAT THE BATTERY IS FULLY CHARGED AND READY FOR ITS NEXT USE. STORING BATTERY NOT FULLY CHARGED WILL SHORTEN BATTERY LIFE.

REMOVING AND INSTALLING BLADE

⚠ DANGER: RISK OF INJURY. WHEN REASSEMBLING THE BLADE SYSTEM, ENSURE EACH PART IS REINSTALLED CORRECTLY, AS DESCRIBED BELOW. IMPROPER ASSEMBLY OF THE BLADE OR OTHER PARTS OF THE BLADE SYSTEM MAY CAUSE SERIOUS INJURY.

1. **⚠ WARNING:** RELEASE BAIL HANDLE TO TURN MOWER OFF, WAIT FOR THE BLADE TO STOP, AND REMOVE SAFETY KEY AND BATTERY PACK.
2. Cut a piece of 2x4 wood (26) (about 2 feet long) (610 mm) to keep blade from turning while removing bolt (27).
3. Wear gloves and proper eye protection. Turn the mower on its side. Be careful of sharp edges of blade. Position wood and unscrew bolt with 13mm wrench (28) as shown in **Figure V**.
4. Remove bolt and washer (29). Note the orientation of each part as you remove it. Pull off blade (30), blade insulator (31), and fan (32) as shown in **Figure X**. Examine all pieces for damage and replace if necessary.
5. To reassemble, slide the fan (32) onto the mower with the blades of the fan facing the mower (far right picture in **Figure X**), then slide the blade insulator on with the D-shaped posts facing out away from the mower and fan. The blade can only be attached to the insulator in one direction. Line up the D-shaped holes of the blade with the D-shaped posts of the insulator, ensuring the writing on the blade faces out away from the mower and insulator.
6. To tighten firmly, position the piece of wood as shown in **Figure W** to keep the blade from turning. Slide the bolt and washer through all other pieces and securely tighten with the wrench.



BLADE SHARPENING

KEEP BLADE SHARP FOR BEST MOWER PERFORMANCE. A DULL BLADE DOES NOT CUT GRASS CLEANLY.

USE PROPER EYE PROTECTION WHILE REMOVING, SHARPENING, AND INSTALLING BLADE. ENSURE THAT SAFETY KEY AND BATTERY PACK IS REMOVED. Sharpening the blade twice during a mowing season is usually sufficient under normal circumstances. Sand causes the blade to dull quickly. If your lawn has sandy soil, more frequent sharpening may be required.

REPLACE BENT OR DAMAGED BLADE IMMEDIATELY.

WHEN SHARPENING THE BLADE:

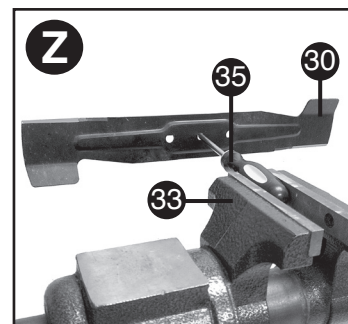
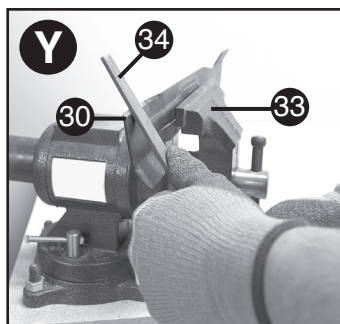
1. Make sure blade remains balanced.
2. Sharpen blade at the original cutting angle.
3. Sharpen cutting edges on both ends of blade, removing equal amounts of material from both ends.

TO SHARPEN BLADE IN A VISE: (Figure Y)

1. Be sure the bail handle is released, the blade has stopped and safety key and battery pack removed before removing the blade.
2. Remove blade from mower. See instructions for removing and installing blade.
3. Secure blade (30) in a vise (33).
4. Wear proper eye protection and gloves and be careful not to cut yourself.
5. Carefully file the cutting edges of the blade with a fine tooth file (34) or sharpening stone, maintaining the original cutting edge.
6. Check balance of blade. See instructions for blade balancing.
7. Replace blade on mower and tighten securely.

BLADE BALANCING (Figure Z)

Check balance of the blade (30) by placing center hole in the blade over a nail or round shank screwdriver (35), clamped horizontally in a vise (33). If either end of the blade rotates downward, file that end. Blade is properly balanced when neither end drops.



LUBRICATION

No lubrication is necessary. Do not oil the wheels. They have plastic bearing surfaces which require no lubrication.

CLEANING

Release bail handle (3) to turn mower off, let the blade come to a stop and then remove safety key. Use only mild soap and a damp cloth to clean the mower. Clean out any clippings which may have accumulated on the underside of the deck. After several uses, check all exposed fasteners for tightness.

PREVENTING CORROSION

Fertilizers and other garden chemicals contain agents which greatly accelerate the corrosion of metals. If you mow in areas where fertilizers or chemicals have been used, the mower should be cleaned immediately afterward as follows: (1) Release bail handle (3) to turn mower off and unplug mower. Wipe all exposed parts with a damp cloth.

⚠ CAUTION: DO NOT POUR OR SPRAY WATER ON THE MOWER IN AN ATTEMPT TO CLEAN IT. Do not store the tool on or adjacent to fertilizers or chemicals. Such storage can cause rapid corrosion.

MEETS CPSC SAFETY REQUIREMENTS

Black and Decker Mowers conform to the safety standards of the American National Standards Institute, and the U.S. Consumer Product Safety Commission. The Blade turns when the motor is running.

MAINTENANCE

IMPORTANT: To assure product SAFETY and RELIABILITY, repairs, maintenance and adjustment (including brush inspection and replacement) should be performed by BLACK & DECKER Service Centers or other qualified service organizations, always using Black & Decker replacement parts. When servicing use ONLY IDENTICAL REPLACEMENT PARTS.

ACCESSORIES

Recommended accessories for use with your mower are available from your local dealer or authorized service center. If you need assistance regarding accessories, please call: **1-800-544-6986**

⚠️ WARNING: The use of any accessory not recommended for use with this tool could be hazardous.

THE RBRC™ SEAL

The RBRC™ (Rechargeable Battery Recycling Corporation) Seal on the LI-ION battery (or battery pack) indicates that the costs to recycle the battery (or battery pack) at the end of its useful life have already been paid by **Black & Decker**.

RBRC™ in cooperation with **Black & Decker** and other battery users, has established programs in the United States to facilitate the collection of spent LI-ION batteries. Help protect our environment and conserve natural resources by returning the spent LI-ION battery to an authorized **Black & Decker** service center or to your local retailer for recycling. You may also contact your local recycling center for information on where to drop off the spent battery. RBRC™ is a registered trademark of the Rechargeable Battery Recycling Corporation.



Service Information

All Black & Decker Service Centers are staffed with trained personnel to provide customers with efficient and reliable power tool service. Whether you need technical advice, repair, or genuine factory replacement parts, contact the Black & Decker location nearest you. To find your local service location, call: **1-800-544-6986** or visit www.blackanddecker.com

Limited Two-Year Home Use Warranty

Black & Decker (U.S.) Inc. warrants this product for two years against any defects in material or workmanship. The defective product will be replaced or repaired at no charge in either of two ways.

The first, which will result in exchanges only, is to return the product to the retailer from whom it was purchased (provided that the store is a participating retailer). Returns should be made within the time period of the retailer's policy for exchanges (usually 30 to 90 days after the sale). Proof of purchase may be required. Please check with the retailer for their specific return policy regarding returns that are beyond the time set for exchanges.

The second option is to take or send the product (prepaid) to a Black & Decker owned or authorized Service Center for repair or replacement at our option. Proof of purchase may be required.

This warranty does not apply to accessories. This warranty gives you specific legal rights and you may have other rights which vary from state to state or province to province. Should you have any questions, contact the manager of your nearest Black & Decker Service Center. This product is not intended for commercial use.

FREE WARNING LABEL REPLACEMENT: If your warning labels become illegible or are missing, call **1-800-544-6986** for a free replacement.

LATIN AMERICA: This warranty does not apply to products sold in Latin America. For products sold in Latin America, check country specific warranty information contained in the packaging, call the local company or see the website for warranty information.

PROBLEM		TROUBLESHOOTING	SOLUTION
1.	Mower doesn't run when bail handle is activated.	A. Check to make sure safety key has been installed and is fully seated and that button on switch housing is being completely depressed. B. Release bail handle to turn mower off. Remove safety key and battery pack, turn mower over and check that blade is free to turn. C. Check that the battery cavity is free of debris and is connected properly. D. Has battery been fully charged? Plug in charger and wait for green light to come on.	
2.	Motor stops while mowing.	A. Release bail handle to turn mower off. Remove safety key and battery pack. Turn mower over and check that blade is free to turn. B. Raise cutting height of wheels to highest position and start mower. C. Check that the battery cavity is free of debris and is connected properly. D. Has battery been fully charged? Press state of charge button. E. Avoid overloading the mower. Slow down the cutting pace, or raise the cut height.	
3.	Mower runs but cutting performance is unsatisfactory, or does not cut entire lawn.	A. Has battery been fully charged? Press state of charge button. B. Release bail handle to turn mower off. Remove safety key key and battery pack. Turn mower over and check: Blade for sharpness - Keep blade sharp. Deck and discharge chute for clogging. C. Wheel height adjustment may be set too low for grass condition. Raise cutting height.	
4.	Mower is too hard to push.	A. Raise cutting height to reduce deck drag on grass. Check each wheel for free rotation.	
5.	Mower is abnormally noisy and vibrates.	A. Release bail handle to turn mower off. Remove safety key and battery pack. Turn mower on side and check blade to ensure it has not been bent or damaged. If blade is damaged, replace with a Black & Decker replacement blade. If the underside of the deck is damaged, return mower to a Black & Decker Authorized service center. B. If there is no visible damage to the blade and the mower still vibrates: Release bail handle to turn mower off, remove safety key and battery pack and remove blade. Rotate blade 180 degrees and retighten. If mower still vibrates, return the mower to an authorized Black & Decker service center.	
6.	Battery charger LED's not on.	A. Check plug connection. B. Replace charger.	
7.	Mower not picking up clippings with bag.	A. Chute clogged. Release bail handle to turn mower off. Remove safety key and battery pack. Clear chute of grass clippings. B. Too much cut grass. Raise cutting height of wheels to shorten length of the cut. C. Bag full. Empty bag more often.	

For assistance, visit our website www.blackanddecker.com for the location of the service center nearest you, or call the BLACK & DECKER help line at **1-800-544-6986**.

Imported by
Black & Decker (U.S.) Inc.,
701 E. Joppa Rd.
Towson, MD 21286 U.S.A.





BLACK & DECKER®

**Tondeuse sans fil avec
bloc-piles au lithium-ion de 40 V max.***

GUIDE D'UTILISATION

**Modèle
CM1640**



Merci d'avoir choisi Black & Decker! Consulter le site Web www.BlackandDecker.com/NewOwner pour enregistrer votre nouveau produit.

À LIRE AVANT DE RETOURNER CE PRODUIT POUR QUELQUE RAISON QUE CE SOIT :

Si des questions ou des problèmes surgissent après l'achat d'un produit Black & Decker, consulter le site Web [HTTP://WWW.BLACKANDDECKER.COM/INSTANTANSWERS](http://WWW.BLACKANDDECKER.COM/INSTANTANSWERS)

pour obtenir des réponses instantanément 24 heures par jour.

Si la réponse est introuvable ou en l'absence d'accès à l'Internet, composer le 1 800 544-6986 de 8 h à 17 h HNE, du lundi au vendredi, pour parler avec un agent. Prière d'avoir le numéro de catalogue sous la main lors de l'appel.

VOICI DES RENSEIGNEMENTS IMPORTANTS QU'IL VOUS FAUT CONNAÎTRE :

- Ne pas utiliser la tondeuse si la poignée n'est pas bloquée en position.
- Pour une meilleure coupe, maintenir la lame aiguisée et équilibrée.
- Examiner et nettoyer soigneusement la tondeuse après chaque utilisation (du gazon adhérent au châssis peut réduire le rendement).
- S'assurer que la surface à tondre est à l'écart de toute personne ou animal de compagnie avant de démarrer la tondeuse et en cours d'utilisation.

La tension initiale maximale du bloc-piles (mesurée sans charge de travail) est de 40 volts. La tension nominale est de 36. A utiliser uniquement avec 36v de série LB ou 40v batteries Max

CONSERVER CE MANUEL POUR UN USAGE ULTÉRIEUR.

LIGNES DIRECTRICES EN MATIÈRE DE SÉCURITÉ - DÉFINITIONS Il est important que vous lisiez et compreniez ce mode d'emploi. Les informations qu'il contient concernent VOTRE SÉCURITÉ et visent à ÉVITER TOUT PROBLÈME. Les symboles ci-dessous servent à vous aider à reconnaître cette information.

⚠ DANGER : Indique une situation dangereuse imminente qui, si elle n'est pas évitée, causera la mort ou des graves blessures.

⚠ AVERTISSEMENT : Indique une situation potentiellement dangereuse qui, si elle n'est pas évitée, pourrait causer la mort ou de graves blessures.

⚠ MISE EN GARDE : Indique une situation potentiellement dangereuse qui, si elle n'est pas évitée, pourrait causer des blessures mineures ou modérées.

AVIS : Utilisé sans le symbole d'alerte à la sécurité, indique une situation potentiellement dangereuse qui, si elle n'est pas évitée, peut résulter en des dommages à la propriété.

Voici une explication des symboles de danger importants sur la tondeuse.



1. L'utilisateur doit lire et comprendre le mode d'emploi.



2. Pour réduire le risque de blessures graves, ne pas tondre les pentes de haut en bas ou de bas en haut. Toujours tondre les pentes en diagonale.



3. Pour éviter des blessures aux personnes et aux animaux à proximité, les garder à bonne distance de la tondeuse en cours de fonctionnement.



4. Des lames en mouvement (rotation) risquent de provoquer de graves blessures. Tenir les mains et les pieds éloignés du châssis et de l'ouverture de décharge de la tondeuse. Toujours s'assurer que la lame s'est arrêtée (attendre la fin de la rotation de la lame, soit environ 3 secondes après avoir relâché l'anse et retiré la clé de sûreté) avant de retirer et de

replacer le collecteur d'herbe, de nettoyer, d'entretenir, de transporter ou de soulever la tondeuse.



5. Les objets percutés par la lame de la tondeuse peuvent provoquer de graves blessures. Se tenir derrière la poignée lorsque le moteur tourne. Toujours s'assurer que les personnes et les animaux de compagnie sont loin de la décharge de la tondeuse lors de son fonctionnement. Toujours inspecter la surface à tondre avant de commencer et retirer tout objet qui pourrait être projeté par la lame. Relâcher l'anse pour éteindre la tondeuse et attendre que la lame s'immobilise (environ 3 secondes) avant de traverser des allées, des routes, des patios et des allées gravelées.

⚠ AVERTISSEMENT : AVERTISSEMENTS DE SÉCURITÉ ET DIRECTIVES DE PREMIÈRE IMPORTANCE

⚠ AVERTISSEMENT : si des outils électriques de jardinage sont utilisés, des précautions de base en matière de sécurité doivent être suivies afin de réduire le risque d'incendie, de décharge électrique et de blessure corporelle, notamment les suivantes.

LIRE TOUTES CES DIRECTIVES RÉDUCTION DES RISQUES ET DES BLESSURES :

- Avant tout usage, veiller à ce que tout utilisateur de cet outil lise et comprenne toutes les directives de sécurité ainsi que l'information comprise dans le présent manuel.
- Conserver ces directives et les examiner fréquemment avant d'utiliser l'appareil ou de donner des directives aux autres.

⚠ DANGER : MESURES DE SÉCURITÉ IMPORTANTES POUR TONDEUSE A CONDUCTEUR ACCOMPAGNANT

Cette tondeuse peut amputer les bras et les jambes et projeter des objets. Le non-respect des directives de sécurité ci-dessous peut provoquer de sérieuses blessures ou un décès.

UTILISATION GÉNÉRALE

1. Lire, comprendre et respecter les directives figurant sur la tondeuse et dans le mode d'emploi avant de commencer.
2. Ne pas approcher les mains ou les pieds de la tondeuse ou de sa partie inférieure. Toujours se tenir à l'écart de l'ouverture d'éjection.
3. Ne permettre qu'à des adultes responsables, familiers de ces directives, d'utiliser cette tondeuse.
4. Débarrasser la zone à tondre des objets tels les pierres, les tiges, les fils, les jouets, les os, etc., qui pourraient être projetés par la lame. Les objets percutés par la lame peuvent provoquer de graves blessures corporelles. Se tenir derrière la poignée lorsque le moteur tourne.
5. S'assurer qu'il n'y a personne à proximité de la tondeuse avant l'utilisation. Tenir les curieux et les animaux à une distance sûre. Arrêter la tondeuse si quelqu'un pénètre dans la zone de tonte.
6. Ne pas utiliser l'appareil avec les pieds nus ou des sandales. Toujours mettre des chaussures épaisses.
7. Ne pas tirer la tondeuse vers l'arrière sauf en cas d'absolue néces-

sité. Regarder vers le bas et derrière soi avant et pendant tout déplacement en marche arrière.

8. Ne jamais diriger l'éjection en direction d'une personne. Éviter d'éjecter les substances contre un mur ou un obstacle. Les substances pourraient ricocher vers l'opérateur. Dégager l'anse pour éteindre la tondeuse et arrêter la lame avant de traverser une surface gravelée.
9. Ne pas utiliser la tondeuse sans installer le collecteur d'herbe, la protection de l'éjecteur, la protection arrière ou toute autre protection de sécurité en place et qui fonctionne. Vérifier régulièrement toutes les protections et tous les dispositifs de sûreté pour s'assurer qu'ils sont en bon état de fonctionnement afin d'assurer un fonctionnement adéquat selon sa fonction prévue. Remplacer tout verrou, protection ou autre dispositif de sûreté endommagé avant l'utilisation.
10. Ne jamais laisser une tondeuse en marche sans surveillance.
11. Toujours dégager l'anse pour couper le moteur, attendre que la lame s'immobilise complètement et retirer la clé de sûreté avant de nettoyer la tondeuse, d'enlever le collecteur d'herbe ou de déboucher la protection de l'éjecteur, avant de laisser la tondeuse ou avant tout réglage, dépannage ou vérification.
12. N'utiliser la tondeuse qu'à la lumière du jour ou avec un bon éclairage artificiel lorsque les objets situés dans le champ de la lame sont clairement visibles à partir du point d'opération de la tondeuse.
13. Ne pas utiliser la tondeuse sous l'emprise de l'alcool ou de drogues ou en cas de fatigue ou de maladie. Demeurer vigilant, surveiller le travail effectué, et faire preuve de jugement.
14. Éviter les conditions environnementales dangereuses. Ne jamais utiliser la tondeuse dans des endroits humides ou mouillés et ne jamais l'utiliser sous la pluie. Toujours s'assurer d'avoir le pied sûr; marcher; ne jamais courir.
15. Désengager le système d'entraînement, le cas échéant, avant de démarrer le moteur.
16. Si la tondeuse se met à vibrer de façon anormale, relâcher l'anse, attendre que la lame s'immobilise et retirer la clé de sûreté et le bloc-piles, puis en rechercher immédiatement la raison. Une vibration signale généralement un problème.
17. Toujours mettre une protection respiratoire et pour les yeux durant l'utilisation de la tondeuse.
18. L'utilisation de tout accessoire ou pièce non recommandés avec cette tondeuse s'avère dangereuse. N'utiliser que les accessoires approuvés par Black & Decker.
19. Ne jamais tondre les bras en utilisant la tondeuse. Toujours s'assurer de conserver son équilibre à tout moment au cours de l'utilisation de la tondeuse.

UTILISATION SUR UNE PENTE

Les pentes sont un facteur majeur de glissades et de chutes, qui peuvent entraîner de graves blessures. L'utilisation sur toutes les pentes demande une attention particulière. Ne pas tondre une pente sur laquelle on ne se sent pas à l'aise.

1. Tondre les pentes en diagonale, jamais de haut en bas. Être extrêmement prudent lors des virages sur les pentes.
2. Faire attention aux trous, ornières, rebonds, pierres ou autres objets cachés. Une surface inégale peut provoquer une glissade ou une chute. Une herbe haute peut cacher des obstacles.
3. Ne pas tondre une herbe mouillée ou des pentes excessivement escarpées. Un équilibre instable peut provoquer une glissade ou une chute.
4. Ne pas tondre près des falaises, des fossés ou des talus. Il y a un risque de perdre sa stabilité ou son équilibre.

ENFANTS

Des incidents tragiques peuvent survenir si l'opérateur n'est pas vigilant en présence d'enfants. Les enfants sont parfois attirés par la tondeuse et l'opération de tonte. Ne jamais supposer qu'un enfant est resté au dernier endroit où il a été vu.

1. Tenir les enfants à l'écart de la zone de tonte et sous la surveillance attentive d'un adulte responsable autre que l'opérateur.
2. Rester vigilant et arrêter la tondeuse si un enfant pénètre dans la zone.
3. Ne jamais laisser un enfant utiliser la tondeuse.
4. Être très prudent aux environs des virages, arbustes, arbres ou autres objets qui peuvent vous empêcher de voir un enfant.

RÉVISION GÉNÉRALE

1. Ne jamais utiliser la tondeuse dans un endroit clos.
2. Maintenir tous les écrous et les boulons serrés pour s'assurer que le matériel est en bon état de fonctionnement.
3. Ne jamais altérer le dispositif de sécurité. S'assurer régulièrement de son fonctionnement adéquat.
4. Éviter l'accumulation d'herbe, de feuilles et d'autres débris sur la tondeuse. Laisser la tondeuse refroidir avant de la stocker.
5. En cas de choc contre un obstacle, dégager l'anse pour éteindre la tondeuse, attendre que la lame s'immobilise puis retirer la clé de sûreté et le bloc-piles et examiner la tondeuse. Réparer tout dommage avant de démarrer et d'utiliser la tondeuse.
6. Ne jamais effectuer de réglages ou de réparations lorsque le moteur est en marche ni lorsque la tondeuse est branchée.
7. Toujours retirer la clé de sûreté et le bloc-piles avant les réglages, le nettoyage, le dépannage, l'inspection, le transport ou le stockage ou avant de laisser la tondeuse.
8. Vérifier fréquemment les composants du collecteur d'herbe et la protection de l'éjecteur et, au besoin, remplacer par les pièces recommandées par Black & Decker seulement.
9. Les lames de tondeuses sont tranchantes. Recouvrir la lame ou mettre des gants, et être très prudent lors de l'entretien.
10. Prendre soin ou remplacer les étiquettes et les directives de sécurité, au besoin.

Cet appareil est conforme aux dispositions du paragraphe 15 des règlements de la FCC. Son utilisation est sous réserve des deux conditions suivantes : (1) l'appareil ne doit provoquer aucun brouillage nuisible; (2) l'appareil doit accepter tout brouillage reçu, y compris un brouillage susceptible d'entraîner un fonctionnement indésirable.

REMARQUE : ce matériel a été testé et a été déclaré conforme aux limites en vigueur concernant les dispositifs numériques de classe B, en vertu de la partie 15 de la réglementation FCC. Ces limites visent à assurer une protection raisonnable contre tout brouillage nuisible dans une installation résidentielle. Ce matériel produit, consomme et peut émettre une énergie de radiofréquence et, s'il n'est pas installé et utilisé conformément aux directives qui l'accompagnent, il peut entraîner un brouillage nuisible des communications radio. Cependant, nous ne garantissons pas l'absence de brouillage dans tous les types d'environnement. Si, après avoir effectué une vérification en mettant l'appareil hors tension puis sous tension, l'utilisateur s'aperçoit que ce matériel provoque un brouillage nuisible à la réception des signaux de radio ou de télévision, il lui faudra essayer de corriger ce brouillage en prenant une ou plusieurs des mesures ci-dessous :

- Réorienter ou repositionner l'antenne de réception.
- Éloigner le plus possible le matériel du récepteur.
- Brancher le matériel dans une prise électrique située sur un circuit différent de celui du récepteur.
- Consulter le distributeur ou un technicien radio/télévision expérimenté pour obtenir de l'aide.

Tout changement ou toute modification à cet appareil qui n'est pas expressément approuvé par l'institution responsable de la conformité peut faire annuler le droit de l'utilisateur d'utiliser ce matériel. Cet appareil numérique de la classe B est conforme à la norme NMB-003 du Canada.

CONSERVER CES MESURES.

⚠️ AVERTISSEMENT : AVERTISSEMENTS ET DIRECTIVES DE SÉCURITÉ GÉNÉRALES POUR TOUS LES OUTILS

- **CET OUTIL PEUT ÊTRE DANGEREUX.** Respecter tous les avertissements et directives de sécurité contenues dans ce manuel. L'opérateur est responsable du respect des avertissements et directives de sécurité contenus dans ce manuel et indiqués sur la machine. Restreindre l'usage de cette tondeuse à des personnes capables de lire, de comprendre et de respecter les avertissements et directives de sécurité contenus dans ce manuel et indiqués sur la machine.
- **Éviter tout environnement dangereux.** Ne pas utiliser de tondeuse à gazon dans un endroit humide ou mouillé.
- **Ne pas utiliser sous la pluie.**
- **Tenir les enfants à l'écart.** Tous les visiteurs doivent se trouver à une distance sûre de la zone de travail.
- **S'habiller de manière appropriée.** Ne pas porter de vêtements amples ni de bijoux. Ils peuvent se prendre dans les pièces mobiles. Lors de travaux à l'extérieur, il est recommandé de porter des gants en caoutchouc et des chaussures.
- **Porter des lunettes de sécurité.** Toujours utiliser un masque protecteur ou antipoussières si le travail dégage beaucoup de poussière.
- **Utiliser le bon appareil électrique.** Ne pas utiliser une tondeuse à gazon pour une autre application que celle pour laquelle elle a été prévue.
- **UTILISATION DE RALLONGES**
S'assurer que la rallonge est en bon état avant de l'utiliser. Toujours utiliser une rallonge de calibre approprié avec l'outil, c'est-à-dire un calibre de fil approprié pour des cordons de diverses longueurs et dont l'intensité est suffisante pour transporter le courant débité par l'outil. L'utilisation d'un

cordons de calibre inférieur causera une chute de tension de ligne et donc une perte de puissance et une surchauffe. Pour connaître les cordons de bon calibre à utiliser, consulter le tableau suivant.

Tension	Calibre minimal des cordons de rallonge					
	Longueur totale du cordon en pieds					
120V	0-25	26-50	51-100	101-150		
	(0-7,6m)	(7,6-15,2m)	(15,2-30,4m)	(30,4-45,7m)		
240V	0-50	51-100	101-200	201-300		
	(0-15,2m)	(15,2-30,4m)	(30,4-60,9m)	(60,9-91,4m)		
Intensité (A)						
Au moins		Au plus		Calibre moyen des fils (AWG)		
0	-	6	18	16	16	14
6	-	10	18	16	14	12
10	-	12	16	16	14	12
12	-	16	14	12	Non recommandé	

- **VÉRIFIER QUE LES PIÈCES NE SONT PAS ENDOMMAGÉES.** Si un dispositif de protection, ou toute autre pièce, est endommagé, il faut faire examiner soigneusement l'outil, avant toute utilisation ultérieure, afin d'assurer un fonctionnement adéquat selon sa fonction prévue. Vérifier l'alignement des pièces mobiles, la présence de grippage des pièces mobiles et de rupture de pièces, l'assemblage et tout autre problème pouvant nuire au fonctionnement de l'outil. Un dispositif de protection endommagé, ou toute autre pièce endommagée, doit être réparé ou remplacé adéquatement par un centre de réparation autorisé à moins d'un avis contraire indiqué dans le présent mode d'emploi.
- **RÉPARATIONS ET ENTRETIEN.** Les réparations, l'entretien et tout réglage non précisés dans ce mode d'emploi devraient être effectués à un centre de réparation autorisé Black & Decker ou à tout autre centre de réparation professionnel. Utiliser toujours des pièces de rechange identiques.

⚠️ DANGER : AVERTISSEMENTS SUPPLÉMENTAIRES POUR TONDEUSES

- **Ne pas forcer la tondeuse à gazon.** Le travail sera mieux accompli et plus sécuritaire au rythme prévu pour l'appareil.
- **Ne pas trop tendre les bras.** Conserver son équilibre en tout temps.
- **Être vigilant.** Surveiller le travail effectué. Faire preuve de jugement. Ne pas utiliser la tondeuse à gazon si l'on est fatigué.
- **Entreposer les tondeuses à gazon inutilisées à l'intérieur.** Lorsque les tondeuses à gazon ne sont pas utilisées, elles doivent être entreposées à l'intérieur, dans un endroit sec et dans un endroit verrouillé, hors de la portée des enfants.
- **Bien entretenir la tondeuse à gazon.** S'assurer que les lames de coupe sont aiguisées et propres afin d'optimiser sécurité et performance.
- **Maintenir les pare-mains en place et en état de fonctionnement.**
- **Maintenir les lames affûtées.**
- **Tenir les mains et les pieds éloignés de la zone de coupe.**
- **Les objets percutés par la lame de tondeuse à gazon peuvent provoquer de graves blessures corporelles.** Il faut toujours inspecter soigneusement la pelouse et éliminer tous les objets avant chaque tonte.
- **Si la tondeuse à gazon rencontre un objet étranger, suivre la démarche suivante :**
 - Arrêter la tondeuse à gazon. Relâcher l'interrupteur marche/arrêt.
 - Débrancher le cordon d'alimentation.
 - Rechercher tout signe de dommage.
 - Réparer tout dommage avant de démarrer et d'utiliser la tondeuse à gazon.
- **Utiliser seulement des pièces de rechange identiques.**

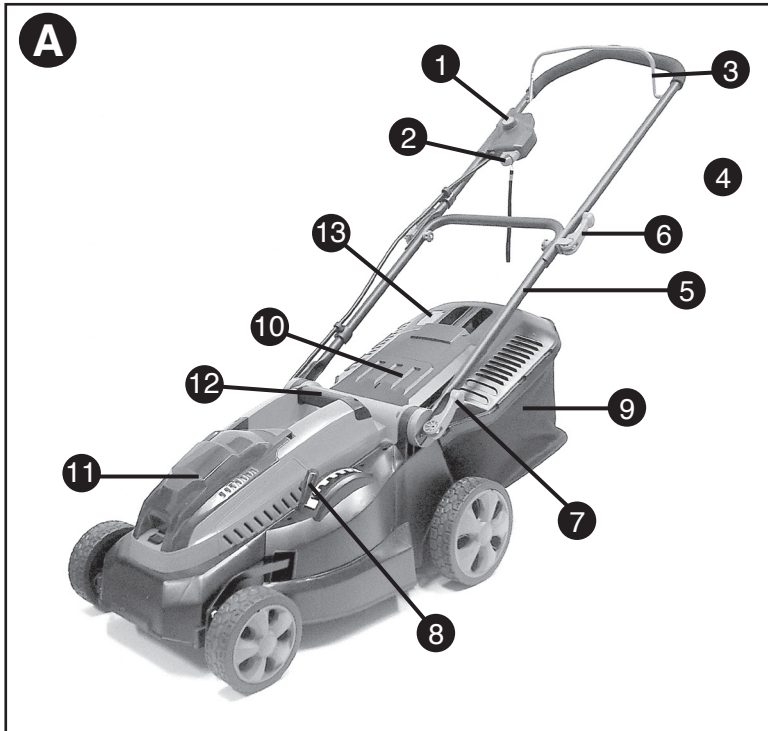
⚠️ **AVERTISSEMENT** : certaines poussières produites par ce produit contiennent des produits chimiques reconnus par l'État de la Californie comme pouvant causer le cancer, les anomalies congénitales et d'autres dangers pour la reproduction. Voici quelques exemples de ces produits chimiques :

- composés présents dans les engrais
- composés présents dans les insecticides, herbicides et pesticides
- arsenic et chrome provenant de bois traité chimiquement

Pour réduire votre exposition à ces produits chimiques, porter un équipement de sécurité approuvé comme un masque antipoussières conçu spécialement pour filtrer les particules microscopiques.

DESCRIPTION FONCTIONNELLE

1. Boîtier d'interrupteur
2. Clé de sûreté
3. Anse
4. Poignée supérieure
5. Poignée inférieure
6. Leviers de fixation de la poignée supérieure
7. Leviers de fixation de la poignée inférieure
8. Levier de réglage de la hauteur de coupe
9. Sac collecteur d'herbe
10. Volet arrière
11. Port du bloc-piles
12. Poignée de transport
13. Indicateur de marche-arrêt



DIRECTIVES DE SÉCURITÉ IMPORTANTES POUR LES CHARGEURS DE PILES

CONSERVEZ CES INSTRUCTIONS : Ce manuel contient des consignes de sécurité importantes pour les chargeurs de batterie.

- Avant d'utiliser le chargeur, lire toutes les instructions et mises en garde figurant sur le chargeur, la batterie, et le produit utilisant la batterie.

⚠ AVERTISSEMENT : risque d'électrocution. Ne jamais laisser de liquide s'infiltrer dans le chargeur.

⚠ MISE EN GARDE : risque de brûlure. Pour réduire le risque de blessures, charger les batteries Black & Decker ne désignés. D'autres types de piles peuvent exploser et causer des blessures et des dommages.

⚠ MISE EN GARDE : dans certaines circonstances, lorsque le chargeur est branché au bloc d'alimentation, le chargeur peut être court-circuité par des corps étrangers conducteurs tels que, mais sans s'y limiter, la laine d'acier, le papier d'aluminium ou toute accumulation de particules métalliques. Ils doivent être maintenus à distance des ouvertures du chargeur. Débrancher systématiquement celui-ci si aucun bloc-piles n'y est inséré. Débrancher le chargeur avant tout nettoyage.

- **NE PAS tenter de charger le bloc-piles avec autre chose qu'un chargeur de marque.** Les chargeurs et blocs-piles sont conçus spécialement pour fonctionner ensemble.
- Ces chargeurs ne sont pas destinés à être utilisés à d'autres fins que celles de charger les piles rechargeables conseillées Black & Decker. Toute autre utilisation risque de provoquer un incendie, un choc électrique ou une électrocution.
- **⚠ AVERTISSEMENT :** Le chargeur fourni avec ce produit est correctement branché s'il est orienté en position verticale ou au plancher.
- Protéger le chargeur de la pluie et de la neige.
- Tirer la fiche plutôt que le cordon pour débrancher le chargeur ou pour débrancher les cordons à l'aide de la fonction de guirlande. Cela permet de réduire le risque d'endommager la fiche ou le cordon d'alimentation.
- S'assurer que le cordon est situé en lieu sûr de manière à ce que personne ne marche ni ne trébuche dessus ou à ce qu'il ne soit pas endommagé ni soumis à une tension.
- Ne pas utiliser de rallonge à moins que cela ne soit absolument nécessaire. L'utilisation d'une rallonge inadéquate risque d'entraîner un incendie, un choc électrique ou une électrocution.

- Ne pas installer le chargeur sur un mur ni le fixer de manière permanente sur toute surface. Le chargeur est destiné à une utilisation sur une surface plane et stable (c.-à-d. un dessus de table ou d'établi).
- Ne pas faire fonctionner le chargeur si la fiche ou le cordon est endommagé; les remplacer immédiatement.
- Ne jamais se servir d'un chargeur qui a subi un choc violent, qui est tombé par terre ou qui est endommagé de quelque manière que ce soit. Le faire vérifier dans un centre de réparation autorisé.
- Ne pas démonter le chargeur; confier l'entretien ou la réparation de l'appareil à un centre de réparation autorisé. Le remontage non conforme du chargeur comporte des risques de choc électrique, d'électrocution ou d'incendie.
- Débrancher le chargeur avant de le nettoyer. Cela réduira le risque de choc électrique. Le risque ne sera pas éliminé en enlevant simplement le bloc-piles.
- NE JAMAIS relier deux chargeurs ensemble.
- Le chargeur est conçu pour être alimenté en courant domestique standard (120 V). Ne pas utiliser une tension supérieure pour le chargeur.

DIRECTIVES DE SÉCURITÉ IMPORTANTES POUR LES BLOCS-PILES

⚠ AVERTISSEMENT : Le bloc-piles n'est pas complètement chargé à la sortie de l'emballage. Avant d'utiliser le bloc-piles et le chargeur, lire les directives de sécurité ci-après. Respecter ensuite les consignes de chargement décrites.

LIRE TOUTES LES DIRECTIVES.

- Ne pas incinérer le bloc-piles, même s'il est très endommagé ou complètement usé, car il pourrait exploser au contact des flammes. Des vapeurs et des matières toxiques sont dégagées lorsque les blocs-piles sont incinérés.
- Ne pas charger ou utiliser de pile dans un milieu déflamant, en présence de liquides, de gaz ou de poussière inflammables. Insérer ou retirer la pile du chargeur peut enflammer de la poussière ou des émanations.
- Si le contenu de la pile entre en contact avec la peau, laver immédiatement la zone touchée au savon doux et à l'eau. Si le liquide de la pile entre en contact avec les yeux, rincer l'œil ouvert à l'eau pendant 15 minutes ou jusqu'à ce que l'irritation cesse. Si des soins médicaux sont nécessaires, l'électrolyte des piles au lithium-ion est composé d'un mélange de carbonates organiques liquides et de sels de lithium.
- Le contenu des éléments de pile ouverts peut provoquer une irritation respiratoire. Exposer la personne à de l'air frais. Si les symptômes persistent, obtenir des soins médicaux.

⚠ AVERTISSEMENT : Risque de brûlure. Le liquide de la pile peut s'enflammer s'il est exposé à des étincelles ou à une flamme.

- Charger uniquement les blocs-piles au moyen de chargeurs Black & Decker.
- NE PAS éclabousser le bloc-piles ni l'immerger dans l'eau ou dans tout autre liquide. Cela peut entraîner une défaillance prématurée de l'élément.
- Ne pas ranger ni utiliser l'outil et le bloc-piles dans un endroit où la température peut atteindre ou dépasser les 40 °C (105 °F) (comme dans les remises extérieures ou les bâtiments métalliques en été).

⚠ AVERTISSEMENT : Ne jamais tenter d'ouvrir le bloc-piles pour quelque raison que ce soit. Si le boîtier du bloc-piles est fissuré ou endommagé, ne pas l'insérer dans un chargeur. Ne pas écraser, laisser tomber ou endommager le bloc-piles. Ne pas utiliser un bloc-piles ou un chargeur qui a reçu un choc violent, qui est tombé, a été écrasé ou est endommagé de quelque manière que ce soit (p. ex. percé par un clou, frappé d'un coup de marteau, piétiné). Les blocs-piles endommagés doivent être envoyés au centre de réparation pour être recyclés.

⚠ AVERTISSEMENT : Risque d'incendie. Ne pas ranger ou transporter les piles de manière à ce que des objets métalliques puissent entrer en contact avec les bornes exposées des piles. Par exemple, ne pas mettre de pile dans un tablier, une poche, une boîte à outils, un boîtier de rangement, un tiroir, etc. contenant des objets tels que des clous, des vis ou des clés. Le transport des piles peut causer un incendie si les bornes des piles entrent en contact involontairement avec des matières conductrices comme des clés, de la monnaie, des outils manuels et d'autres éléments semblables. Selon le règlement HMR du DOT (US Department of Transportation Hazardous Material Regulations), il est effectivement interdit de transporter des piles pour le commerce et dans les avions (c.-à-d. dans les valises et les bagages à main) À MOINS qu'elles ne soient bien protégées contre les courts-circuits. Pour le transport de piles individuelles, on doit donc s'assurer que les bornes sont protégées et bien isolées contre toute matière pouvant entrer en contact avec elles et provoquer un court-circuit. **REMARQUE :** Il ne faut pas laisser de piles au LI-ION dans les bagages enregistrés.

RECOMMANDATIONS EN MATIÈRE DE RANGEMENT

1. Le meilleur endroit de rangement est celui qui est frais et sec, loin de toute lumière directe et protégé d'une température extrême (chaleur ou froid).

2. Le stockage de longue durée ne nuira pas au bloc-piles ou au chargeur pourvu que le bloc-piles ne soit pas épuisé.

PROCÉDURE DE CHARGE

Les chargeurs Black and Decker sont conçus pour charger les blocs-piles Black and Decker: LCS36 (2 heures), LCS436 (6 heures).

1. Brancher le chargeur dans une prise appropriée avant d'insérer le bloc-piles.

2. Insérer le bloc-piles dans le chargeur.

3. Le voyant DEL vert clignotera indiquant ainsi que la pile est en cours de charge.

4. La fin de la charge est indiquée par le voyant DEL vert qui demeure allumé.
Le bloc-piles est chargé à plein et peut être utilisé ou laissé sur le chargeur.

Recharger les piles épuisées aussitôt que possible après leur utilisation pour prolonger leur durée de vie.

FONCTIONS DE DIAGNOSTIC DU CHARGEUR

Ce chargeur est conçu pour détecter certains problèmes pouvant être associés au bloc-piles ou à la source d'alimentation. Le type de clignotement de la DEL indique les problèmes.

PILE EN MAUVAIS ÉTAT

Le chargeur est en mesure de détecter une pile faible ou endommagée. Le voyant DEL rouge clignote selon la séquence indiquée sur l'étiquette. Si la séquence code correspondant à une pile en mauvais état est en clignotement, cesser de recharger la pile. Retourner la pile à un centre de réparation ou à un site de cueillette pour le recyclage.

FONCTION DE SUSPENSION DU BLOC-PILES CHAUD/FROID

Lorsque le chargeur détecte qu'une pile est excessivement chaude ou froide, il commence automatiquement la suspension du bloc-piles chaud/froid, la charge est ainsi interrompue jusqu'à ce que l'état de la pile redevienne normal. Une fois la température revenue à la normale, le chargeur passe automatiquement au mode de recharge du bloc-piles. Cette fonction assure une durée de vie maximale des piles. La DEL rouge clignote de la manière indiquée sur l'étiquette lorsque la suspension du bloc-piles chaud/froid est détectée.

PILE LAISSÉE DANS LE CHARGEUR

Le chargeur et le bloc-piles peuvent être laissés branchés, le voyant DEL vert demeurant allumé. Le chargeur maintiendra le bloc-piles en bon état et complètement chargé.

REMARQUES IMPORTANTES SUR LE CHARGEMENT

1. Pour augmenter la durée de vie du bloc-piles et optimiser son rendement, le charger à une température située entre 16 et 27 °C (60 et 80 °F). NE PAS charger le bloc-piles à des températures inférieures à 4,5 °C (40 °F) ou supérieures à 40,5 °C (105 °F). Ces consignes sont importantes et permettent d'éviter d'endommager gravement le bloc-piles.

2. Le chargeur et le bloc-piles peuvent devenir chauds au toucher pendant la recharge. Il s'agit d'un état normal et cela n'indique pas un problème. Pour faciliter le refroidissement du bloc-piles après son utilisation, éviter de mettre le chargeur ou le bloc-piles dans un endroit chaud comme dans une remise métallique ou une remorque non isolée.

3. Si le bloc-piles ne se charge pas adéquatement, on doit :

a. Vérifier le courant à la prise en branchant une lampe ou un autre appareil électrique.

b. Vérifier si la prise est reliée à un interrupteur d'éclairage qui coupe le courant au moment d'éteindre la lumière.

c. Déplacer le chargeur et le bloc-piles à un endroit où la température ambiante est entre 16 °C et 27 °C (60 °F et 80 °F).

d. Si le problème persiste, apporter ou envoyer l'outil, le bloc-piles et le chargeur au centre de réparation de votre région.

4. Le bloc-piles doit être rechargé lorsqu'il n'arrive pas à produire suffisamment de puissance pour des travaux qui étaient facilement réalisés auparavant. NE PAS CONTINUER à utiliser le bloc-piles dans ces conditions. Suivre les procédures de charge. On peut également recharger à tout moment un bloc-piles partiellement déchargé sans affecter sa longévité.

5. Tout corps étranger conducteur, tel que notamment la laine d'acier, le papier d'aluminium ou toute accumulation de particules métalliques, doit être maintenu à distance des ouvertures du chargeur. Débrancher systématiquement celui-ci si aucun bloc-piles n'y est inséré. Débrancher le chargeur avant tout nettoyage.

6. Ne pas congeler le chargeur, l'immerger dans l'eau ou dans tout autre liquide.

AVERTISSEMENT : Risque de choc électrique. Éviter la pénétration de tout liquide dans le chargeur. Ne jamais tenter d'ouvrir le bloc-piles pour quelque raison que ce soit. Si le boîtier en plastique du bloc-piles est brisé ou fissuré, le retourner à un centre de réparation pour qu'il soit recyclé.

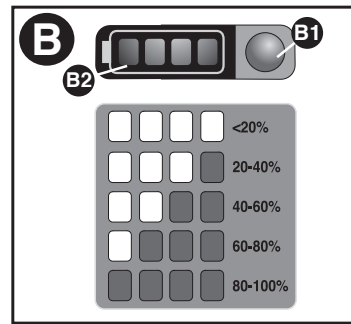
INDICATEUR DE L'ÉTAT DE CHARGE (FIGURE B)

Le bloc-piles est pourvu d'un indicateur d'état de charge. Cet indicateur peut servir à afficher le niveau actuel de charge d'un bloc-piles durant l'utilisation et durant la charge. Il ne donne aucune indication quant au fonctionnement

de l'outil. Son propre fonctionnement pourra aussi varier en fonction des composants produit, de la température et de l'application d'utilisation.

VÉRIFICATION DE L'ÉTAT DE CHARGE DURANT L'UTILISATION :

- Enfoncer le bouton de l'indicateur d'état de charge (B1).
- Les quatre voyants DEL (B2) s'allumeront pour indiquer le pourcentage de charge du bloc-piles. Consulter le tableau à la **figure B**.
- Si le voyant à DEL ne s'allume pas, charger le bloc-piles.

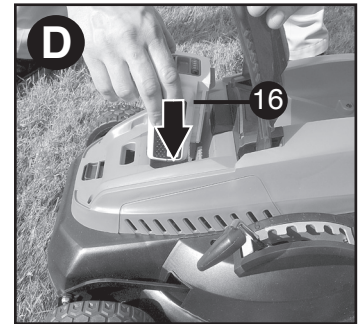
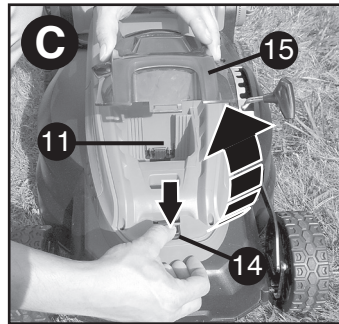


INSERTION ET RETRAIT DU BLOC-PILES

AVERTISSEMENT : S'assurer que la clé de sûreté est enlevée pour empêcher la mise en marche avant la pose ou le retrait du bloc-piles.

POSE DU BLOC-PILES :

- Enfoncer le bouton de dégagement du couvercle du compartiment du bloc-piles (14), puis soulever le couvercle (15) pour exposer le compartiment du bloc-piles (11) comme le montre la **figure C**.
- Insérer le bloc-piles (16) dans le compartiment du bloc-piles de manière à bien l'enfoncer et à entendre un déclic (**figure D**). S'assurer que le bloc-piles est bien logé et enclenché en place.
- Refermer le couvercle du compartiment du bloc-piles. S'assurer que le couvercle est bien fermé avant de démarrer la tondeuse.



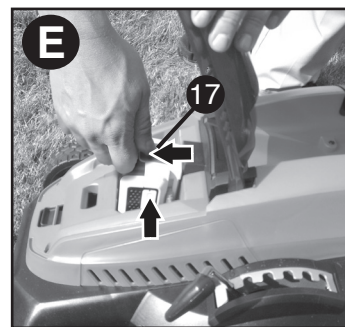
Ce produit est compatible avec tous les modèles de piles et de chargeurs énumérés dans le tableau ci-dessous.

Blocs-piles au LI-ION et chargeurs correspondants

Description	N° de cat.
Bloc-piles : LI-ION	LBX36 LBXR36 LBXR2036
Chargeur : pour piles au LI-ION	LCS36 LCS436

RETRAIT DU BLOC-PILES :

- Ouvrir le couvercle du compartiment du bloc-piles (15) de la manière décrite précédemment.
- Enfoncer le bouton de dégagement (17) sur le bloc-piles, puis retirer le bloc-piles de l'outil comme le montre la **figure E**.



ASSEMBLAGE

AVERTISSEMENT : Avant l'assemblage, s'assurer que l'anse est dégagée et que la clé de sûreté est retirée.

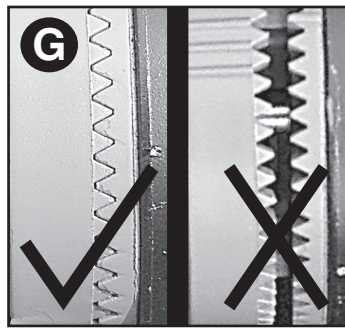
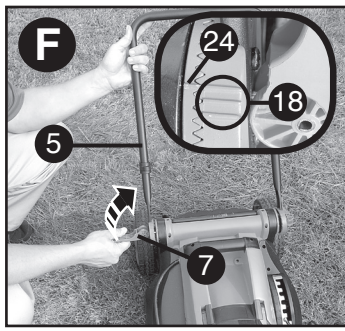
FIXATION DE LA POIGNÉE INFÉRIEURE

- Soulever la poignée inférieure (5) pour la mettre en place en s'assurant que l'une des trois encoches (18) de la poignée inférieure (en médaillon dans la **figure F**) s'aligne avec l'encoche (24) située sur la base de la tondeuse.

REMARQUE : S'assurer que chaque côté de la poignée inférieure est aligné sur la même encoche.

- Fermer les leviers de réglage de la hauteur de la poignée (7) comme le montre la **figure F**. Lors de la fermeture de chacun, veiller à ce que les dents s'engagent comme le montre la **figure G**.

- Si la connexion entre la poignée et le levier est trop serrée ou qu'elle ne l'est pas assez, il faut ouvrir le levier et en ajuster la profondeur. Le refermer jusqu'à ce que les dents soient bien emboîtées et que chaque levier reste bien fermé.



FUNCTIONNEMENT

LIRE LE MODE D'EMPLOI ET LES RÈGLES DE SÉCURITÉ AVANT DE FAIRE FONCTIONNER LA TONDEUSE. Consulter la « Description fonctionnelle » pour se familiariser avec l'emplacement des divers réglages et commandes. Conserver ce mode d'emploi pour un usage ultérieur.

⚠️ AVERTISSEMENT : Forte lame mobile. Ne pas utiliser la tondeuse si la porte arrière n'est pas fermée sous tension de ressort que résulter des blessures graves. Prenez votre tondeuse au centre de service le plus proche pour réparation.

⚠️ AVERTISSEMENT : Forte lame mobile. Ne jamais utiliser la tondeuse si les crochets de suspension sur le bac de ramassage sont correctement sur la tondeuse et la porte de sortie arrière repose fermement contre le haut de l'herbe receveur dommage grave pourrait entraîner.

⚠️ AVERTISSEMENT : Ne pas utiliser la tondeuse sans sac de collecte (9) ci-joint.

⚠️ AVERTISSEMENT : Laissez le travail de l'appareil à son propre rythme. Ne surchargez pas.

FIXATION DE LA POIGNÉE SUPÉRIEURE (FIGURE H)

- Détacher les leviers de fixation de la poignée (6), les écrous (19) et les rondelles (20) de la poignée.
- Aligner les trous dans le bas de la poignée supérieure (4) sur les trous dans le haut de la poignée inférieure (5).

REMARQUE : S'assurer que le cordon est situé à l'avant des deux poignées. Sinon, le cordon risque de s'emmêler, et la tondeuse ne sera pas facile à ranger.

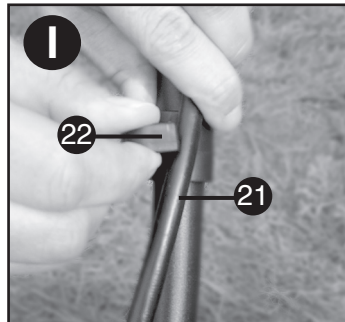
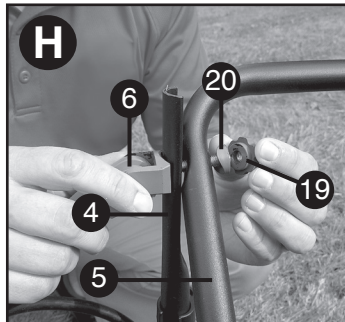
- Passer le levier dans les trous.
- Tourner la poignée supérieure dans sa position de fonctionnement.
- Fermez le levier. Si elle est trop serrée ou trop lâche, ouvrir le levier et tourner pour régler le serrage. Vérifiez les leviers en les fermant. Vous devriez être en mesure de réduire la poignée supérieure lorsque les deux leviers sont lâches et la poignée supérieure doit être bien tenue à la poignée inférieure lorsque les leviers sont fermés. Ajuster le fonctionnement du levier en tournant l'écrou lorsque le levier est dans la position ouverte jusqu'à ce que la poignée peut se déplacer et être également fixée, comme décrit ci-dessus.

FIXATION DU CÂBLE DU MOTEUR (FIGURE I)

Le câble du moteur (21) doit être fixé aux poignées avec les dispositifs de retenue (22) qui sont déjà attachés aux poignées.

Pour fixer le câble à la poignée avec la pince :

- Faire courir le câble à l'avant des poignées inférieure et supérieure.
- Tirer le dispositif de retenue du câble vers l'arrière.
- Glisser le câble du moteur sous la pince et s'assurer qu'il est bien maintenu en place par le dispositif de retenue.

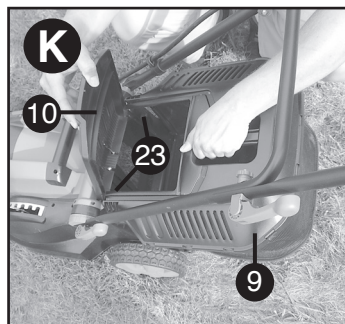
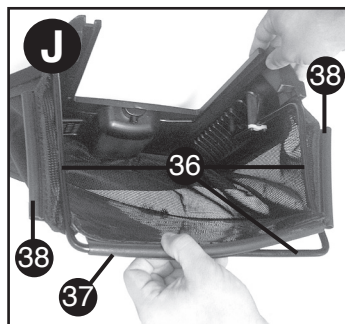


ASSEMBLAGE DU SAC COLLECTEUR D'HERBE (FIGURE J)

- Passer le crochet long du sac (37) sur le haut de la tige (36) et enclencher le crochet autour de la tige.
- Attacher les deux crochets courts du sac (38) sur l'extérieur de la tige.
- S'assurer que les trois crochets tiennent bien.

FIXATION DU SAC COLLECTEUR D'HERBE (FIGURE K)

- Soulever le volet arrière (10) et placer le sac collecteur d'herbe (9) sur les pattes (23) comme le montre la figure K.



RÉGLAGE DE LA HAUTEUR DE LA POIGNÉE (FIGURE L)

- Ouvrir les deux leviers de réglage de la hauteur de la poignée (7).
- Ajuster la poignée de façon à ce que l'une des trois encoches (18) sur la poignée s'aligne avec l'encoche (24) sur la base de la tondeuse. S'assurer que la poignée est alignée sur la même encoche des deux côtés de la tondeuse.
- Fermer les deux leviers et s'assurer que la poignée tient bien en place.

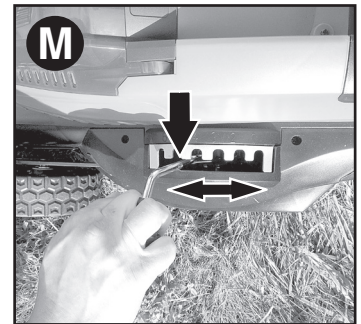
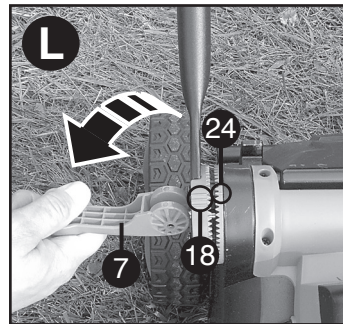
RÉGLAGE DE LA HAUTEUR DE LA TONDEUSE (FIGURE M)

La hauteur de coupe est réglée par le mécanisme central de réglage de la hauteur, qui offre un choix de six positions.

REMARQUE : Commencer à tondre avec le levier de réglage de la hauteur (8) à la position 6 et abaisser la hauteur au besoin.

Pour régler la hauteur de coupe :

- Tirer le levier de réglage de la hauteur (8) pour l'écartier du corps de la tondeuse.
- Déplacer le levier vers l'arrière de l'appareil pour réduire la hauteur de coupe.
- Déplacer le levier vers l'avant de l'appareil pour augmenter la hauteur de coupe.
- Pousser le levier de réglage de la hauteur dans l'une des six positions.



CLÉ DE SÛRETÉ

⚠️ DANGER : LAME MOBILE TRANCHANTE.

Pour prévenir tout démarrage intempestif ou une utilisation non autorisée de la tondeuse sans fil, une clé de sûreté (2) a été intégrée dans la conception de la tondeuse. La tondeuse sera complètement désactivée dès le retrait de la clé de sûreté.

REMARQUE : LA CLÉ DE SÛRETÉ COMPORTE UN TROU AU CENTRE POUR PERMETTRE SON RANGEMENT SUR UN CLOU, HORS DE LA PORTÉE DES ENFANTS. NE PAS ATTACHER LA CLÉ DE SÛRETÉ À LA TONDEUSE.

⚠️ DANGER : DES LAMES EN MOUVEMENT (ROTATION) RISQUENT DE PROVOQUER DE GRAVES BLESSURES. POUR PRÉVENIR DE GRAVES BLESSURES, RETIRER LA CLÉ DE SÛRETÉ LORSQUE LA TONDEUSE EST SANS SURVEILLANCE OU LORS DE LA CHARGE, DU NETTOYAGE, DES RÉPARATIONS, DU TRANSPORT, DU SOULÈVEMENT OU DU RANGEMENT.

DÉMARRAGE DE LA TONDEUSE

⚠️ DANGER : LAME MOBILE TRANCHANTE. NE JAMAIS ESSAYER DE NEUTRALISER LE FONCTIONNEMENT DU SYSTÈME DE CONTACT ET DE CLÉ DE SÛRETÉ. EN EFFET, UNE TELLE PRATIQUE POURRAIT SE SOLDER PAR DE GRAVES BLESSURES.

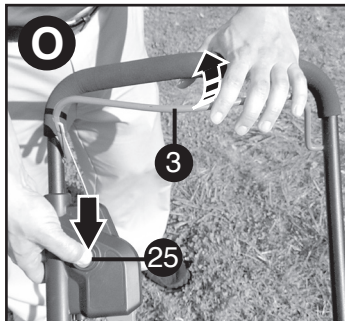
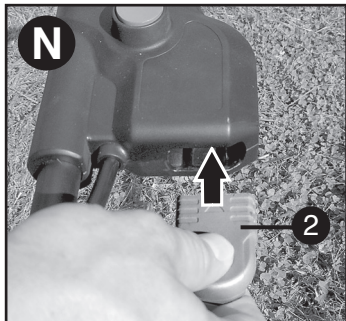
- Insérer la clé de sûreté (2) jusqu'au fond dans le logement de

l'interrupteur comme le montre la **figure N**. La tondeuse est maintenant fonctionnelle.

- La tondeuse est dotée d'un boîtier d'interrupteur de marche-arrêt spécial. Pour actionner la tondeuse, appuyer sur le bouton (25) du boîtier d'interrupteur, puis tirer l'anse (3) vers le guidon comme le montre la **figure O**.
- Pour arrêter la tondeuse, relâcher simplement l'anse.

AVERTISSEMENT : Ne tentez jamais de verrouiller un interrupteur en position sur.

REMARQUE : Une fois l'anse en position de départ, elle actionne le « mécanisme de freinage automatique ». Le moteur est alors freiné électriquement et la lame de la tondeuse s'immobilisera en trois (3) secondes ou moins.



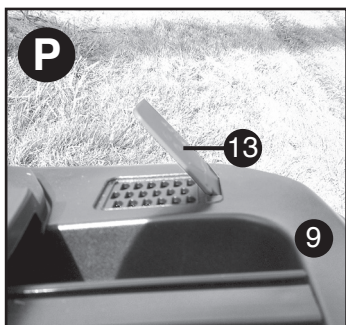
SURCHARGE DE LA TONDEUSE

Pour éviter les dommages attribuables à une surcharge, ne pas essayer de couper trop d'herbe à la fois. Ralentir la tonte ou augmenter la hauteur de coupe.

INDICATEUR DE SAC PLEIN

Cette tondeuse est munie d'un indicateur (13) qui signale à l'utilisateur que le sac collecteur d'herbe (9) est plein.

- Quand le sac est vide et que la tondeuse est cours d'utilisation, l'indicateur s'élève comme le montre la **figure P**.
- Quand le sac est plein, le débit d'air est limité, et l'indicateur se ferme comme le montre la **figure Q**.



RANGEMENT DE LA TONDEUSE

AVERTISSEMENT : Une lame rotative peut provoquer des blessures graves. Relâcher l'anse (3) pour éteindre la tondeuse et retirer le bloc-piles avant de soulever, de transporter ou de ranger la tondeuse. L'entreposer dans un endroit sec.

MISE EN GARDE : Zone de pincement. Pour éviter de se pincer en repliant les poignées, garder les doigts hors de la zone entre elles.

MISE EN GARDE : Faire attention de ne pas étirer ou pincer le cordon dans les joints des poignées lorsqu'elles sont repliées. Cela pourrait endommager le cordon.

La poignée de la tondeuse se replie facilement en vue d'un rangement commode et rapide.

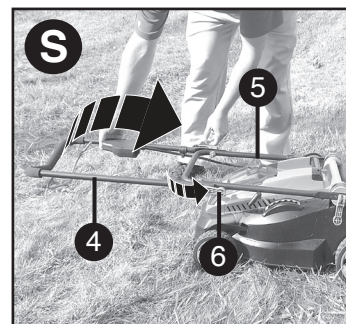
- En tenant la poignée, ouvrir les leviers de réglage de la hauteur de la poignée (7), mais sans les enlever, et replier la poignée vers l'avant de la tondeuse comme le montre la **figure R**.
- Ouvrir les leviers de fixation de la poignée (6), mais sans les enlever, et replier la poignée supérieure (4) vers l'arrière par-dessus la poignée inférieure (5) comme le montre la **figure S**.
- La tondeuse devrait alors avoir une forme compacte comme le montre la **figure T**.

TRANSPORT DE LA TONDEUSE

DANGER : DES LAMES EN MOUVEMENT (ROTATION) RISQUENT DE PROVOQUER DE GRAVES BLESSURES. POUR PRÉVENIR DE GRAVES BLESSURES, RETIRER LA CLÉ DE SÛRETÉ LORSQUE LA TONDEUSE EST SANS SURVEILLANCE

OU LORS DE LA CHARGE, DU NETTOYAGE, DES RÉPARATIONS, DU TRANSPORT, DU SOULÈVEMENT OU DU RANGEMENT.

- Transporter la tondeuse par la poignée de transport (12) commode comme le montre la figure U.



CONSEILS POUR TONDRE LA PELOUSE

REMARQUE : TOUJOURS INSPECTER LA SURFACE À TONDRE ET RETIRER TOUTE PIERRE, BÂTON, FIL, OS ET AUTRES DÉBRIS QUI POURRAIENT ÊTRE PROJÉTÉS PAR LA LAME EN ROTATION.

1. Tondre les pentes en diagonale, jamais de haut en bas. Être extrêmement prudent lors des virages sur les pentes. Ne pas tondre les pentes excessivement inclinées. Toujours maintenir un bon équilibre.
2. Relâcher l'anse pour éteindre la tondeuse avant de traverser toute surface gravelée (des pierres risquent d'être projetées par la lame).
3. Régler la tondeuse à la hauteur maximale de coupe lorsque la tondeuse est utilisée sur un sol inégal ou sur de grandes broussailles. La coupe d'une trop grande quantité d'herbe en un passage peut surcharger le moteur et l'arrêter. Se reporter au guide de dépannage.
4. Lors de l'utilisation du collecteur d'herbe en haute saison, l'herbe tend à encrasser l'ouverture de la décharge. Relâcher l'anse pour éteindre la tondeuse, puis retirer la clé de sûreté. Retirer le collecteur d'herbe et secouer l'herbe vers l'autre extrémité du bac. Nettoyer également l'herbe ou les débris qui pourraient s'accumuler autour de l'ouverture de la décharge. Remettre le collecteur d'herbe en place.
5. Si la tondeuse commence à vibrer de façon anormale, relâcher l'anse pour éteindre la tondeuse et retirer la clé de sûreté. Rechercher immédiatement la cause de cette vibration. Une vibration signale un problème. Ne pas utiliser la tondeuse sans avoir préalablement fait inspecter la tondeuse. Se reporter au guide de dépannage du mode d'emploi.
6. **TOUJOURS RELÂCHER L'ANSE POUR ÉTEINDRE LA TONDEUSE ET RETIRER LA CLÉ DE SÛRETÉ LORSQU'ELLE EST LAISSÉE SANS SURVEILLANCE MÊME POUR UNE COURTE DURÉE.**

POUR MAXIMISER LE TEMPS DE MARCHÉ DE LA TONDEUSE SANS FIL, PROCÉDER COMME SUIT :

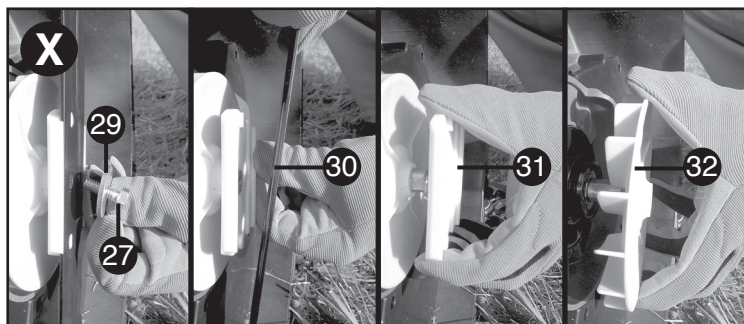
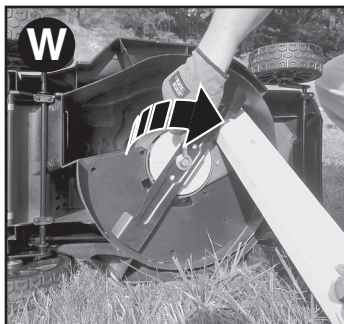
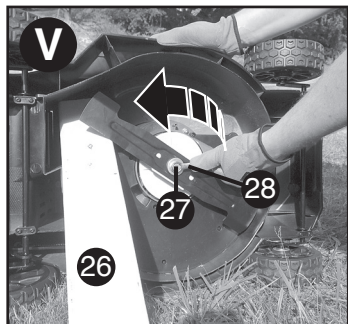
1. Ralentir dans les zones où l'herbe est particulièrement haute ou dense.
2. Éviter de tondre la pelouse lorsque l'herbe est mouillée par la pluie ou la rosée.
3. Tondre la pelouse fréquemment, particulièrement dans les périodes de forte pousse.

REMARQUE : NOUS RECOMMANDONS DE RECHARGER LA TONDEUSE APRÈS USAGE POUR PROLONGER LA DURÉE DE VIE DE LA PILE. DES CHARGES FRÉQUENTES N'ENDOMMAGERONT PAS VOTRE PILE ET GARANTIRONT UNE PILE À PLEINE CHARGE ET PRÊTE À UTILISER À LA PROCHAÎNE OCCASION. LA DURÉE DE VIE DES PILES EST ÉCOURTÉE SI ELLES NE SONT PAS RANGÉES À PLEINE CHARGE.

RETRAIT ET INSTALLATION DE LA LAME

⚠ DANGER : RISQUE DE BLESSURES. LORS DU RÉASSEMBLAGE DU SYSTÈME DE LAME, VEILLER À CE QUE CHAQUE PIÈCE SOIT RÉINSTALLÉE CORRECTEMENT, SELON LES INDICATIONS CI-DESSOUS. LE MAUVAIS ASSEMBLAGE DE LA LAME OU D'AUTRES PARTIES DU SYSTÈME DE LAME PEUT PROVOQUER DE GRAVES BLESSURES CORPORELLES.

1. **⚠ AVERTISSEMENT : RELÂCHER L'ANSE POUR ÉTEINDRE LA TONDEUSE, ATTENDRE QUE LA LAME S'IMMOBILISE ET RETIRER LA CLÉ DE SÛRETÉ ET LE BLOC-PILES.**
2. Utiliser un morceau de bois de 51 x 102 mm (2 x 4 po) (26) (d'environ 0,6 m (2 pi) de longueur) pour empêcher la lame de tourner lors du retrait du boulon (27).
3. Porter des gants et des lunettes de protection appropriées. Placer la tondeuse sur son côté. Faire attention aux arêtes tranchantes de la lame. Placer le morceau de bois et dévisser le boulon avec une clé de 13 mm (28) comme le montre la **figure V**.
4. Enlever le boulon et la rondelle (29). Enlever la lame (30), l'isolant de la lame (31) et le ventilateur (32) comme le montre la **figure X**. Examiner les défauts de toutes les pièces et les remplacer si nécessaire.
5. Pour réassembler, glisser le ventilateur (32) sur la tondeuse avec les lames du ventilateur en direction de la tondeuse (image à l'extrémité droite de la **figure X**), puis glisser l'isolant de la lame sur les tiges en D qui pointent vers l'extérieur de la tondeuse. La lame ne peut être attachée à l'isolant que dans un sens. Aligner les trous en D de la lame sur les tiges en D de l'isolant en veillant à ce que le texte sur la lame soit tourné vers l'extérieur de la tondeuse.
6. Pour serrer fermement, positionner un morceau de bois comme le montre la **figure W** pour empêcher la lame de tourner. Passer le boulon et la rondelle à travers toutes les autres pièces et bien serrer le boulon avec la clé.



AFFÛTAGE DE LA LAME

MAINTENIR LA LAME AIGUISÉE POUR OPTIMISER LE RENDEMENT DE LA TONDEUSE. UNE LAME ÉMOUSSÉE NE COUPE PAS NETTEMENT ET NE DÉCHIQUETTE PAS CORRECTEMENT.

UTILISER UNE PROTECTION OCULAIRE ADÉQUATE LORS DU RETRAIT, DE L'AFFÛTAGE ET DE L'INSTALLATION DE LA LAME, S'ASSURER QUE LA CLÉ DE SÛRETÉ ET LE BLOC-PILES SONT RETIRÉS.

Deux affûtages par saison sont normalement suffisants dans des conditions normales. Le sable émousse rapidement la lame. Si la pelouse pousse sur un sol sablonneux, des affûtages plus fréquents seront nécessaires.

REEMPLACER IMMÉDIATEMENT UNE LAME TORDUE OU ENDOMMAGÉE.

LORS DE L'AFFÛTAGE DE LA LAME :

1. S'assurer que la lame reste équilibrée.
2. Affûter la lame suivant l'angle de coupe d'origine.
3. Affûter les arêtes coupantes des deux extrémités de la lame, retirer la même quantité de matière aux deux extrémités.

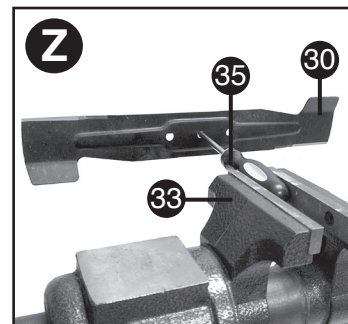
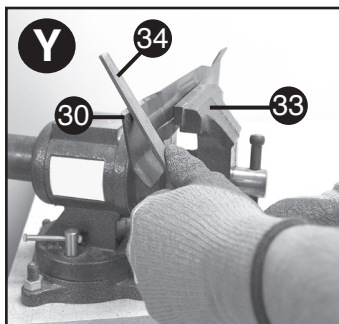
AFFÛTAGE DE LA LAME DANS UN ÉTAU : (FIGURE Y)

1. S'assurer que l'anse est dégagée et la lame complètement immobile. Retirer la clé de sûreté et le bloc-pires avant de retirer la lame.

2. Retirer la lame de la tondeuse. Consulter les instructions pour retirer et installer la lame.
3. Fixer solidement la lame (30) dans un étau (33).
4. Porter des lunettes de protection et des gants appropriés et faire attention de ne pas vous couper.
5. Limer soigneusement les arêtes coupantes de la lame avec une lime à dents fines (34) ou une pierre à affûter en conservant l'angle original de l'arête.
6. Vérifier l'équilibre de la lame. Consulter les directives pour équilibrer la lame.
7. Remettre la lame de la tondeuse et serrer solidement.

ÉQUILIBRAGE DE LA LAME (FIGURE Z)

Vérifier l'équilibre de la lame en enfilant le trou central de la lame (30) sur un clou ou un tournevis à tige ronde (35), fixé horizontalement dans un étau (33). Si l'une des extrémités de la lame pivote vers le bas, la limer. La lame est correctement en équilibre quand aucune extrémité ne penche vers le bas.



LUBRICATION

Aucun graissage n'est nécessaire. Ne pas huiler les roues. Elles comportent des surfaces d'appui en plastique qui n'exige aucun graissage.

NETTOYAGE

Relâcher l'anse pour éteindre la tondeuse, attendre que la lame s'immobilise puis retirer la clé de sûreté et le bloc-pires. Utiliser seulement un détergent doux et un chiffon humide pour nettoyer la tondeuse. Nettoyer toute trace d'herbe coupée qui se serait accumulée sous le châssis. Après plusieurs utilisations, inspecter toute la quincaillerie exposée et serrer au besoin. Bien garder le logement et les bornes de la pile de la tondeuse exempts de débris.

PRÉVENTION DE LA CORROSION

Les engrais et autres produits chimiques de jardin renferment des agents qui accélèrent la corrosion du métal. Si l'aire à tondre a reçu un épandage d'engrais ou de produits chimiques, nettoyer immédiatement la tondeuse après son utilisation comme suit : (1) relâcher l'anse pour éteindre la tondeuse et retirer la clé de sûreté et le bloc-pires. (2) Essuyer toutes les pièces exposées avec un chiffon humide.

⚠ MISE EN GARDE : NE PAS VERSER NI PULVÉRISER D'EAU SUR LA TONDEUSE POUR LA NETTOYER. Ne pas ranger l'outil sur des engrais ou des produits chimiques ou à proximité de ceux-ci. Un tel rangement risque de provoquer une corrosion rapide.

RENCONTRE CPSC EXIGENCES DE SÉCURITÉ

Black and Decker Tondeuse sont conformes aux normes de sécurité de l'American National Standards Institute, et de la commission de la sécurité des produits américains. La lame tourne lorsque le moteur est en marche.

ENTRETIEN

IMPORTANT : pour garantir la SÉCURITÉ et la FIABILITÉ du produit, les réparations, l'entretien et le réglage (y compris l'inspection et le remplacement du balai) doivent être réalisés par un centre de réparation BLACK & DECKER ou tout autre centre de réparation professionnel, et des pièces de rechange Black & Decker doivent toujours être utilisées. En cas de réparation, utiliser UNIQUEMENT DES PIÈCES DE RECHANGE IDENTIQUES.

ACCESSOIRES

Les accessoires recommandés pouvant être utilisés avec la tondeuse sont disponibles auprès de votre distributeur ou centre de réparation local autorisé. Pour tout renseignement concernant les accessoires, composer le : **1 800 544-6986**

⚠ AVERTISSEMENT : l'utilisation de tout accessoire non recommandé avec cet outil pourrait s'avérer dangereuse.

LE SCEAU SRPRC^{MC}

Le sceau SRPRC^{MC} (Société de recyclage des piles rechargeables) sur la pile au lithium-ion (ou sur le bloc-piles) indique que son coût de recyclage (ou celui du bloc-piles) à la fin de sa vie utile est déjà payé par **Black & Decker**.

La SRPRC^{MC}, en collaboration avec **Black & Decker** et d'autres utilisateurs de piles, a établi aux États-Unis des programmes facilitant le ramassage des piles au LI-ION épuisées. Aidez-nous à protéger l'environnement et à conserver nos ressources naturelles en retournant les piles LI-ION épuisées à un centre de réparation

Black & Decker ou au détaillant de votre région pour qu'elles soient recyclées. Vous pouvez aussi communiquer avec le centre de recyclage de votre région pour obtenir des informations sur l'endroit où éliminer vos piles épuisées. SRPRC^{MC} est une marque de commerce déposée de la Société de recyclage des piles rechargeables.



GARANTIE LIMITÉE DE TROIS ANS POUR UNE UTILISATION DOMESTIQUE

Black & Decker (É.-U.) Inc. garantit ce produit pour une durée de deux ans contre tout défaut de matériau ou de fabrication. Le produit défectueux sera remplacé ou réparé sans frais de l'une des deux façons suivantes : La première façon consiste en un simple échange chez le détaillant qui l'a vendu (pourvu qu'il s'agisse d'un détaillant participant). Tout retour doit se faire durant la période correspondant à la politique d'échange du détaillant (habituellement, de 30 à 90 jours après l'achat). Une preuve d'achat peut être requise. Vérifier auprès du détaillant pour connaître sa politique concernant les retours hors de la période définie pour les échanges.

La deuxième option est d'apporter ou d'envoyer le produit (transport payé d'avance) à un centre de réparation autorisé ou à un centre de réparation de Black & Decker pour faire réparer ou échanger le produit, à notre discrétion. Une preuve d'achat peut être requise. Cette garantie ne s'applique pas aux accessoires. Cette garantie vous accorde des droits légaux spécifiques et vous pourriez avoir d'autres droits qui varient d'un État ou d'une province à l'autre. Pour toute question, communiquer avec le directeur du centre de réparation Black & Decker le plus près de chez vous. Ce produit n'est pas destiné à un usage commercial.

REPLACEMENT GRATUIT DES ÉTIQUETTES

D'AVERTISSEMENT : si les étiquettes d'avertissement deviennent illisibles ou sont manquantes, composer le **1 800 544-6986** pour en obtenir le remplacement gratuit.

Garantie du châssis

Le châssis est garanti à vie seulement contre les vices de matière ou de fabrication.

INFORMATION SUR LES RÉPARATIONS

Tous les centres de réparation Black & Decker sont dotés de personnel qualifié en matière d'outillage électrique; ils sont donc en mesure d'offrir à leur clientèle un service efficace et fiable. Que ce soit pour un avis technique, une réparation ou des pièces de rechange authentiques installées en usine, communiquer avec l'établissement Black & Decker le plus près de chez vous. Pour trouver l'établissement de réparation de votre région, composer le numéro suivant : **1 800 544-6986** ou consulter le site www.blackanddecker.com

GUIDE DE DÉPANNAGE

PROBLÈME

SOLUTION

1. La tondeuse ne fonctionne pas quand l'anse est activée.	A. Vérifier que la clé de sûreté est correctement insérée et enfoncée complètement et que le bouton sur le contact est bien enfoncé. B. Relâcher l'anse pour éteindre la tondeuse. Retirer la clé de sûreté et le bloc-piles, retourner la tondeuse et vérifier que la lame tourne librement. C. Vérifier que le logement de la pile est exempt de débris et connecté correctement. D. Est-ce que la pile est à pleine charge? Brancher le chargeur et attendre que le voyant vert s'illumine.
2. Le moteur s'arrête en cours de coupe.	A. Relâcher l'anse pour éteindre la tondeuse. Retirer la clé de sûreté et le bloc-piles. Retourner la tondeuse et vérifier que la lame tourne librement. B. Relever la hauteur de coupe des roues à la position la plus élevée et commencer la tonte. C. Vérifier que le logement de la pile est exempt de débris et connecté correctement. D. Est-ce que la pile est à pleine charge? Enfoncer le bouton d'état de charge. E. Éviter de surcharger la tondeuse. Ralentir la tonte ou augmenter la hauteur de coupe.
3. La tondeuse fonctionne, mais le rendement est insatisfaisant ou la tondeuse ne coupe pas toute la pelouse.	A. Est-ce que la pile est à pleine charge? Enfoncer le bouton d'état de charge. B. Relâcher l'anse pour éteindre la tondeuse. Retirer la clé de sûreté et le bloc-piles. Retourner la tondeuse et vérifier : Le tranchant de la lame. Maintenir la lame affûtée. La présence éventuelle d'un bourrage de la goulotte de vidange ou du châssis. C. Le réglage de la hauteur des roues pourrait être trop bas pour l'état de la pelouse. Augmenter la hauteur de coupe.
4. Il est trop difficile de pousser la tondeuse.	A. Augmenter la hauteur de coupe pour réduire le frottement du châssis sur l'herbe. Vérifier que chaque roue tourne librement.
5. La tondeuse produit des sons anormaux et vibre.	A. Relâcher l'anse pour éteindre la tondeuse. Retirer la clé de sûreté et le bloc-piles. Placer la tondeuse sur le côté et vérifier que la lame n'est pas tordue ou endommagée. Si la lame est endommagée, la remplacer avec une lame de rechange Black & Decker. Si la face inférieure du châssis est endommagée, confier la réparation à un centre de réparations Black & Decker autorisé. B. Si aucun dommage visible à la lame n'est déterminé et que la tondeuse vibre toujours : relâcher l'anse pour éteindre la tondeuse, retirer la clé de sûreté et le bloc-piles et retirer la lame. Tourner la lame sur 180 degrés et la resserrer. Si la tondeuse vibre toujours, confier la réparation à un centre de réparations Black & Decker autorisé.
6. Le voyant du chargeur de piles est éteint.	A. Vérifier le branchement de la fiche. B. Remplacer le chargeur.
7. La tondeuse ne ramasse pas l'herbe coupée dans le sac.	A. La goulotte est encrassée. Relâcher l'anse pour éteindre la tondeuse. Retirer la clé de sûreté et le bloc-piles. Vider la goulotte de l'herbe coupée. B. Trop d'herbe coupée. Relever la hauteur de coupe des roues pour en couper moins. C. Le sac est plein. Vider le sac plus souvent.

Pour de l'aide avec l'outil, consulter notre site Web www.blackanddecker.com pour l'emplacement du centre de réparation le plus près ou communiquer avec l'assistance BLACK & DECKER au **1-800-544-6986**.

Importé par
Black & Decker Canada Inc.
100 Central Ave.
Brockville (Ontario) K6V 5W6



**Cortadora de césped inalámbrica
con batería de iones de litio de 40 V Max***

MANUAL DE INSTRUCCIONES

**Catálogo N°
CM1640**



Gracias por elegir Black & Decker!

Visite www.BlackandDecker.com/NewOwner para registrar su nuevo producto.

**LEA EL MANUAL ANTES DE DEVOLVER ESTE PRODUCTO
POR CUALQUIER MOTIVO:**

Si tiene una consulta o algún inconveniente con su producto Black & Decker, visite [HTTP://WWW.BLACKANDDECKER.COM/INSTANTANSWERS](http://WWW.BLACKANDDECKER.COM/INSTANTANSWERS) para obtener respuestas instantáneas las 24 horas del día.

Si no encuentra la respuesta o no tiene acceso a Internet, llame al 1-800-544-6986 de lunes a viernes de 8 a.m. a 5 p.m. hora del Este para hablar con un agente. Cuando llame, tenga a mano el número de catálogo.

INFORMACIÓN CLAVE QUE DEBE CONOCER:

- No ponga en funcionamiento la podadora sin verificar que el mango esté trabado en su posición.
- Para obtener mejores resultados en el corte, mantenga las hojas afiladas y balanceadas.
- Examine y limpie minuciosamente la podadora después de utilizarla (una plataforma cubierta de bloques de césped afectará el rendimiento de la máquina).
- Antes de comenzar la tarea, asegúrese de despejar el área de trabajo y no permita el ingreso de personas o mascotas.

*El máximo voltaje inicial del paquete de baterías (medido sin una carga de trabajo) es 20 voltios. la tensión nominal es de 18. Para uso exclusivo con 36v serie LB o 40v baterías Max *.

CONSERVE ESTE MANUAL PARA FUTURAS CONSULTAS.

PAUTAS DE SEGURIDAD/DEFINICIONES

Es importante que lea y comprenda este manual. La información que contiene se relaciona con la protección de SU SEGURIDAD y la PREVENCIÓN DE PROBLEMAS. Los símbolos que siguen se utilizan para ayudarlo a reconocer esta información.

⚠ PELIGRO: indica una situación de peligro inminente que, si no se evita, provocará la muerte o lesiones graves.

⚠ ADVERTENCIA: indica una situación de peligro potencial que, si no se evita, provocará la muerte o lesiones graves.

⚠ PRECAUCIÓN: indica una situación de peligro potencial que, si no se evita, provocará lesiones leves o moderadas.

AVISO: utilizado sin el símbolo de alerta de seguridad indica una situación de peligro potencial que, si no se evita, puede provocar daños en la propiedad.

A continuación se presentan explicaciones de las ilustraciones de importantes riesgos de seguridad correspondientes a la podadora.



1. El usuario debe leer y comprender el manual de instrucciones.



2. Para evitar el riesgo de lesiones graves no corte el césped subiéndolo y bajando pendientes. En pendientes, siempre corte el césped transversalmente.



3. Para evitar el riesgo de lesiones hacia las personas de alrededor, mantenga a todas las personas y las mascotas a una distancia segura de la podadora mientras esté en funcionamiento.



4. Las hojas giratorias pueden provocar lesiones graves. Mantenga las manos y los pies lejos de la plataforma y la abertura de descarga de la podadora en todo momento. Antes de retirar y volver a colocar el recolector de césped, limpiar, transportar, levantar o realizar el mantenimiento de la podadora, siempre asegúrese de que la hoja se haya detenido (espere hasta que la hoja deje de girar, aproximadamente 3 segundos, después de soltar la palanca del interruptor y retirar la llave de seguridad).



5. Los objetos golpeados por la hoja de la podadora pueden provocar lesiones graves. Manténgase detrás del mango cuando el motor esté en funcionamiento. Siempre asegúrese de que las personas y las mascotas estén lejos de la descarga de la podadora mientras esté en funcionamiento.

Siempre inspeccione el área de trabajo antes de cortar el césped y retire los objetos que podrían ser lanzados por la hoja. Antes de cruzar aceras, calles, patios y senderos de grava, suelte la palanca del interruptor para apagar la podadora y espere hasta que la hoja deje de girar (aproximadamente 3 segundos).

⚠ ADVERTENCIA: INSTRUCCIONES Y ADVERTENCIAS DE SEGURIDAD IMPORTANTES

⚠ ADVERTENCIA: Al utilizar herramientas eléctricas para el jardín, siempre se deben tomar precauciones básicas de seguridad para reducir el riesgo de incendios, descargas eléctricas y lesiones personales, incluidas las siguientes.

LEA TODAS LAS INSTRUCCIONES

PARA REDUCIR EL RIESGO DE LESIONES:

- Antes de cada uso, asegúrese de que todos los que utilizan esta herramienta lean y comprendan todas las instrucciones de seguridad y el resto de la información incluida en este manual.
- Conserve estas instrucciones y revíselas con frecuencia antes del uso y al instruir a otras personas.

⚠ PELIGRO: PRÁCTICAS DE SEGURIDAD IMPORTANTES PARA PODADORAS DE EMPUJAR

Esta podadora puede amputar manos y pies, y lanzar objetos. El incumplimiento de las siguientes instrucciones de seguridad puede producir lesiones graves o la muerte.

OPERACIÓN GENERAL

1. Antes de hacerla arrancar, lea, comprenda y siga todas las instrucciones en la podadora y en el manual de instrucciones.
2. No ponga las manos ni los pies cerca o debajo de la podadora. Manténgase alejado de la abertura de descarga en todo momento.
3. Sólo permita que adultos responsables, familiarizados con las instrucciones, operen esta podadora.
4. Despeje el área donde se utilizará la podadora de objetos como piedras, palos, alambre, juguetes, huesos, etc., que la hoja podría lanzar. Los objetos golpeados por la hoja pueden causar graves lesiones a las personas. Manténgase detrás del mango cuando el motor esté en funcionamiento.
5. Asegúrese de que no haya personas en el área que rodea a la podadora antes de utilizarla. Todas las personas y mascotas en los

- alrededores deben mantenerse a una distancia segura. Detenga la podadora si alguien entra en el área que la rodea.
6. No opere la podadora descalzo o con sandalias. Siempre use calzado resistente.
7. No tire de la podadora hacia atrás a menos que sea absolutamente necesario. Siempre mire hacia abajo y hacia atrás antes y durante movimientos de retroceso.
8. Nunca descargue material en forma directa en la dirección donde hay personas. No descargue material contra una pared o contra algo que provoque una obstrucción. El material puede rebotar y golpear al operador. Al cruzar superficies de grava, suelte la palanca del interruptor para apagar la podadora y detener la hoja.
9. No opere la podadora si el recolector de césped completo, el protector de la descarga, el protector posterior u otros dispositivos de seguridad no están en su lugar y funcionando. Verifique periódicamente todos los protectores y dispositivos de seguridad para asegurarse de que estén en buenas condiciones, que funcionen correctamente y que cumplan con su función correspondiente. Reemplace un seguro, protector u otro dispositivo de seguridad dañado antes de un uso posterior.
10. Nunca deje funcionando una podadora sin supervisión.
11. Antes de limpiar la podadora, retire el recolector de césped, desatascar el protector de la descarga, alejarse de la podadora o antes de realizar cualquier ajuste, reparación o inspección, siempre suelte la palanca del interruptor para detener el motor y espere hasta que la hoja se detenga por completo para retirar la llave de seguridad.
12. Opere la podadora sólo con luz diurna o buena iluminación artificial para que los objetos en el trayecto de la hoja sean visibles claramente desde el área de funcionamiento de la podadora.
13. No opere la podadora bajo la influencia del alcohol o las drogas, ni cuando esté cansado o enfermo. Siempre manténgase alerta, ponga atención a lo que hace y use el sentido común.
14. Evite los entornos peligrosos. Nunca opere la podadora sobre césped húmedo o mojado; nunca use la podadora bajo la lluvia. Siempre asegúrese de tener los pies bien apoyados; camine, nunca corra.
15. Desconecte el sistema de accionamiento, de haberlo, antes de arrancar el motor.
16. Si la podadora comienza a vibrar de manera anormal, suelte la palanca del interruptor, espere hasta que la hoja se detenga, retire la llave de seguridad y el paquete de baterías, y luego busque la causa de inmediato. La vibración por lo general es una advertencia acerca de la existencia de un problema.
17. Siempre use protección adecuada para los ojos y las vías respiratorias cuando opere la podadora.
18. El uso de accesorios o dispositivos no recomendados para utilizar con esta podadora puede ser peligroso. Sólo utilice accesorios aprobados por Black & Decker.
19. Nunca se estire demasiado mientras opera la podadora. Siempre asegúrese de tener los pies bien apoyados y de conservar el equilibrio en todo momento mientras opera la podadora.

OPERACIÓN EN PENDIENTES

Las pendientes son un factor importante en los accidentes de resbalamiento y caída, que pueden provocar lesiones graves. La operación en todas las pendientes requiere de cuidado adicional. Si se siente incómodo en una pendiente, no corte el césped en ella.

1. En las pendientes corte el césped transversalmente a la superficie; nunca subiéndolas y bajándolas. Sea extremadamente cuidadoso cuando cambie de dirección sobre pendientes.
2. Tenga cuidado con agujeros, surcos, bultos, piedras u otros objetos ocultos. Un terreno irregular puede provocar un accidente de resbalamiento y caída. El césped alto puede ocultar los obstáculos.
3. No corte el césped si éste está mojado o en pendientes demasiado pronunciadas. No tener los pies bien apoyados puede provocar un accidente de resbalamiento y caída.
4. No corte el césped cerca de barrancos, zanjas o terraplenes. Puede perder el apoyo de los pies o el equilibrio.

NIÑOS

Pueden producirse accidentes trágicos si el operador no está atento a la presencia de niños. Con frecuencia los niños se sienten atraídos por

lapodadora y la actividad de cortar el césped. Nunca dé por sentado que los niños permanecerán donde los vio por última vez.

1. Mantenga a los niños fuera del área de trabajo y bajo el cuidado atento de un adulto responsable que no sea el operador.
2. Esté atento y apague la podadora si un niño entra al área.
3. Nunca permita que los niños operen la podadora.
4. Tenga especial cuidado al acercarse a esquinas ciegas, arbustos, árboles u otros objetos que puedan bloquear su vista de un niño.

MANTENIMIENTO GENERAL

1. Nunca opere la podadora en un área cerrada.
2. Mantenga ajustados todos los pernos y tuercas para asegurarse de que el equipo esté en condiciones de trabajo seguras.
3. Nunca haga cambios indebidos en los dispositivos de seguridad. Verifique regularmente que funcionen correctamente.
4. Mantenga la podadora libre de césped, hojas u otras acumulaciones de residuos. Espere a que la podadora se enfríe antes de guardarla.
5. Si golpea un objeto extraño, suelte la palanca del interruptor para apagar la podadora, espere hasta que la hoja se detenga, retire la llave de seguridad y el paquete de baterías y luego inspeccione la podadora. Antes de arrancar y operar la podadora, repare todo daño.
6. Nunca realice ajustes o reparaciones con el motor en funcionamiento o con la llave de seguridad en la podadora.
7. Siempre retire la llave de seguridad y el paquete de baterías antes de ajustar, limpiar, reparar, inspeccionar, transportar, guardar o alejarse de la podadora.
8. Verifique frecuentemente los componentes del recolector de césped y el protector de la descarga, y cuando sea necesario reemplácelos sólo con piezas recomendadas por Black & Decker.
9. Las hojas de la podadora son filosas. Envuelva la hoja o use guantes, y tenga especial cuidado al realizar mantenimiento en ellas.
10. Cuide o reemplace las etiquetas de seguridad y de instrucciones, según sea necesario.

Este dispositivo cumple con la parte 15 de las normas de la Comisión Federal de Comunicaciones de los Estados Unidos (FCC). La operación está sujeta a las dos condiciones siguientes: (1) este dispositivo no puede causar interferencia perjudicial y (2) este mecanismo debe aceptar cualquier interferencia recibida, incluida la interferencia que puede provocar una operación no deseada.

NOTA: Este equipo ha sido probado y se encontró que cumple con los límites para dispositivo digital Clase B, según la parte 15 de las normas de la FCC. Estos límites están diseñados para brindar protección razonable contra interferencia perjudicial en una instalación residencial. Este equipo genera, usa y puede irradiar energía en frecuencia de radio y, si no se instala y se usa de acuerdo con las instrucciones, puede provocar interferencia perjudicial en las comunicaciones de radio. Sin embargo, no hay garantía de que la interferencia no ocurra en una instalación en particular. Si este equipo provoca interferencia perjudicial en la recepción de radio o televisión, lo que se puede determinar al apagar y encender el equipo, el usuario debe tratar de corregir la interferencia mediante una o más de las siguientes medidas:

- . Cambiar la orientación o la ubicación de la antena de recepción.
- . Aumentar la separación entre el equipo y el receptor.
- . Conectar el equipo a un tomacorriente sobre un circuito diferente de aquel al que está conectado el receptor.
- . Consultar al vendedor o pedir la ayuda de un técnico en radio y televisión con experiencia.

Los cambios o las modificaciones que se le realicen a esta unidad sin aprobación expresa del tercero responsable del cumplimiento pueden anular la autorización del usuario para operar el equipo. Este aparato digital de la clase B se conforma con ICES-003 canadiense.

CONSERVE ESTAS INSTRUCCIONES

⚠ **ADVERTENCIA: INSTRUCCIONES Y ADVERTENCIAS GENERALES DE SEGURIDAD PARA TODAS LAS HERRAMIENTAS**

- **ESTA HERRAMIENTA PUEDE SER PELIGROSA.** Respete todas las advertencias y las instrucciones de seguridad de este manual. El operador es responsable de respetar las advertencias e instrucciones de este manual y las que están en la unidad. Restrinja el uso de esta podadora a las personas que lean, comprendan y respeten las advertencias e instrucciones de este manual y las que están en la unidad.
- **Evite los entornos peligrosos:** No utilice podadoras de césped en lugares húmedos o mojados.
- **No utilice la unidad bajo la lluvia.**
- **Mantenga a los niños alejados:** Todos los visitantes deben mantenerse a una distancia segura del área de trabajo.
- **Use la vestimenta adecuada:** No use ropa holgada ni joyas. Pueden quedar atrapadas en las piezas móviles. Al trabajar al aire libre, se recomienda usar guantes de goma y calzado.

- **Use anteojos de seguridad:** Siempre use una careta o una máscara contra el polvo si la operación produce polvo.
- **Utilice el aparato correcto:** No utilice la podadora de césped para ningún trabajo salvo aquel para el cual se diseñó.

• **USO DE CABLES PROLONGADORES**

Antes de utilizar un cable prolongador, asegúrese de que esté en buenas condiciones. Siempre utilice cables prolongadores del tamaño adecuado para la herramienta; es decir, un tamaño de conductor adecuado para las diversas longitudes de cable y con la suficiente capacidad para conducir la corriente que utilizará la herramienta. El uso de un cable de menor capacidad provocará una caída del voltaje de línea que resultará en pérdida de potencia y sobrecalentamiento. Consulte la tabla a continuación para conocer las capacidades adecuadas de los cables.

Calibre mínimo para cables de extensión				
Volts	Longitud total del cable en pies			
120V	0-25	26-50	51-100	101-150
	(0-7,6m)	(7,6-15,2m)	(15,2-30,4m)	(30,4-45,7m)
240V	0-50	51-100	101-200	201-300
	(0-15,2m)	(15,2-30,4m)	(30,4-60,9m)	(60,9-91,4m)
Amperaje				
Más de	No más de	American Wire Gage		
0 - 6	18	16	16	14
6 - 10	18	16	14	12
10 - 12	16	16	14	12
12 - 16	14	12	No se recomienda	

- **VERIFIQUE QUE NO HAYA PIEZAS FALTANTES.** Antes de volver a usar la podadora, se debe controlar cualquier protección u otra pieza que esté averiada para determinar si funcionará correctamente y realizará la función para la que fue diseñada. Verifique la alineación de las piezas móviles o si éstas se traban, la rotura de piezas, el montaje y cualquier otra condición que pueda afectar su operación. Cualquier protección u otra pieza que esté dañada debe ser reparada correctamente o reemplazada por un centro de mantenimiento autorizado, a menos que este manual indique otra cosa.
- **MANTENIMIENTO Y REPARACIONES.** Las reparaciones, el mantenimiento y los ajustes que no estén especificados en este manual deben ser realizados por los centros de mantenimiento autorizados de Black & Decker o por otras organizaciones de mantenimiento calificadas, y siempre deben usarse piezas de repuesto idénticas.

⚠ **PELIGRO: ADVERTENCIAS ADICIONALES PARA PODADORAS**

- **No fuerce la podadora de césped:** Funcionará mejor y en forma más segura si la utiliza a la velocidad para la que fue diseñada.
- **No se estire demasiado:** Conserve la estabilidad y el equilibrio adecuados en todo momento.
- **Manténgase alerta Fíjese en lo que está haciendo.** Use el sentido común. No utilice la podadora de césped si está cansado.
- **Guarde la podadora de césped en desuso bajo techo:** Cuando no se utilice, la podadora de césped debe guardarse bajo techo en un lugar seco y bajo llave, lejos del alcance de los niños.
- **Realice el mantenimiento de la podadora de césped con cuidado:** Mantenga afilados y limpios los bordes de corte para obtener el mejor y más seguro rendimiento.
- **Mantenga los protectores en su lugar y en buenas condiciones.**
- **Mantenga afiladas las hojas.**
- **Mantenga las manos y los pies alejados del área de corte.**
- **Los objetos golpeados por la hoja de la podadora de césped pueden provocar lesiones graves a las personas.** Siempre debe examinar el césped cuidadosamente y remover todo objeto antes de cada poda.
- **Si la podadora de césped golpea un objeto extraño, siga los pasos a continuación:**
 - Detenga la podadora de césped. Suelte el interruptor.
 - Desenchufe el cable de alimentación.
 - Inspeccione si hay daños.
 - Repare cualquier daño antes de volver a arrancar y utilizar la podadora de césped.
- **Utilice únicamente hojas de repuesto idénticas.**

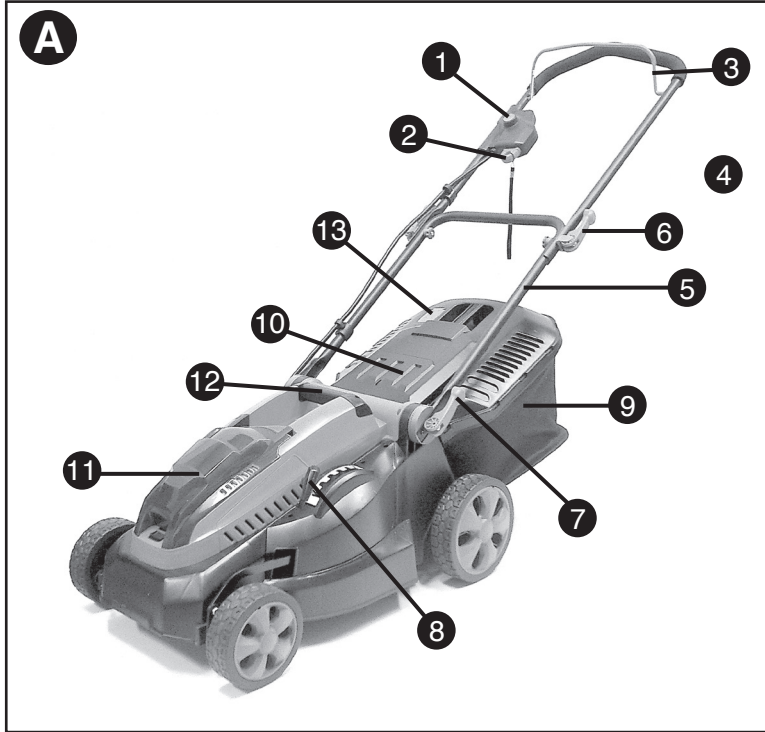
⚠ **ADVERTENCIA:** Parte del polvo generado por este producto contiene producto químicos reconocidos por el Estado de California como causantes de cáncer, defectos de nacimiento u otros problemas reproductivos. Algunos ejemplos de estos productos químicos son:

- compuestos en fertilizantes
- compuestos en insecticidas, herbicidas y pesticidas
- arsénico y cromo de madera con tratamiento químico

Para reducir su exposición a estos productos químicos, use equipo de seguridad aprobado, como máscaras para polvo que están diseñadas especialmente para filtrar las partículas microscópicas.

DESCRIPCIÓN DE LAS FUNCIONES

1. Caja del interruptor
2. Llave de seguridad
3. Mango de suspensión
4. Mango superior
5. Mango inferior
6. Palancas de fijación del mango superior
7. Palancas de fijación del mango inferior
8. Palanca de ajuste de altura de corte
9. Bolsa de recolección de césped
10. Aleta posterior
11. Puerto de la batería
12. Mango de transporte
13. Indicador de parada/avance



INSTRUCCIONES DE SEGURIDAD IMPORTANTES PARA LOS CARGADORES DE BATERÍAS

CONSERVE ESTAS INSTRUCCIONES: Este manual contiene instrucciones de seguridad importantes para los cargadores de baterías.

- Antes de utilizar el cargador, lea todas las instrucciones y las prevenciones en el cargador, en el paquete de baterías y en el producto que utiliza el paquete de baterías.

⚠ADVERTENCIA: Riesgo de descarga eléctrica. No permita que ningún líquido entre en el cargador.

⚠PRECAUCIÓN: Riesgo de quemaduras. Para reducir el riesgo de lesiones, cargue solamente baterías **Black & Decker**. Otros tipos de baterías pueden estallar y provocar daños personales y materiales.

⚠PRECAUCIÓN: En determinadas circunstancias, con el cargador enchufado en el tomacorriente, algunos materiales extraños pueden provocar un cortocircuito en el cargador. Se deben mantener lejos de las cavidades del cargador los materiales extraños de naturaleza conductora, entre los que se incluyen la lana de acero, el papel de aluminio o cualquier acumulación de partículas metálicas. Éstos son sólo algunos ejemplos y no constituyen una lista taxativa. Siempre desenchufe el cargador del tomacorriente cuando no haya un paquete de baterías en la cavidad. Desenchufe el cargador antes de intentar limpiarlo.

⚠ADVERTENCIA:

- **NO intente cargar el paquete de baterías con otros cargadores que no sean de la marca. Los cargadores y los paquetes de baterías están diseñados específicamente para trabajar juntos.**
- **Estos cargadores están diseñados para utilizarse exclusivamente con las baterías recargables Black & Decker designadas. Otros usos pueden provocar riesgo de incendio, descarga eléctrica o electrocución.**
- **⚠ADVERTENCIA: El cargador suministrado con este producto debe enchufarse de manera que quede correctamente orientado en posición de montaje vertical o en el piso.**
- **No exponga el cargador a la lluvia ni a la nieve.**
- **Para desconectar el cargador o los cables para cadena de margarita, tire del enchufe en lugar del cable. Esto reducirá el riesgo de dañar el enchufe o el cable.**
- **Asegúrese de que el cable esté ubicado de modo que no lo pise**

o se tropiece con él y que no esté sujeto a daños o tensiones de alguna otra forma.

- **No utilice un cable prolongador a menos que sea absolutamente necesario.** El uso de un cable prolongador incorrecto puede provocar riesgo de incendio, descarga eléctrica o electrocución.
- **No coloque objetos en la parte superior del cargador ni coloque el cargador en una superficie blanda que pueda bloquear las ranuras de ventilación y provocar un calor interno excesivo.** Coloque el cargador en una posición alejada de cualquier fuente de calor. El cargador se ventila a través de ranuras en la parte superior e inferior de la cubierta.
- **No monte el cargador en la pared ni lo instale en forma permanente sobre ninguna superficie.** El cargador está diseñado para ser utilizado sobre una superficie plana y estable (p. ej., un banco o una mesa).
- **No opere el cargador con cables o enchufes dañados: reemplácelos de inmediato.**
- **No opere el cargador si éste ha recibido un golpe fuerte, se ha caído, o se ha dañado de cualquier otra manera.** Llévelo a un centro de mantenimiento autorizado.
- **No desarme el cargador; llévelo a un centro de mantenimiento autorizado cuando se requiera mantenimiento o una reparación.** El armado incorrecto puede implicar un riesgo de descarga eléctrica, electrocución o incendio.
- **Antes de limpiarlo, desconecte el cargador del tomacorriente.** Esto reducirá el riesgo de descarga eléctrica. Quitar el paquete de baterías no reducirá este riesgo.
- **NUNCA intente conectar 2 cargadores juntos.**
- **El cargador está diseñado para operar con corriente eléctrica doméstica estándar (120 voltios). No intente utilizarlo con otro voltaje.**

INSTRUCCIONES IMPORTANTES DE SEGURIDAD PARA LOS PAQUETES DE BATERÍAS

⚠ADVERTENCIA: Para un funcionamiento seguro, lea éste y todos los manuales de instrucciones incluidos con la herramienta antes de usar el cargador.

El paquete de baterías incluido en la caja no está completamente cargado. Antes de utilizar el paquete de baterías y el cargador, lea las instrucciones de seguridad a continuación. Luego, siga los procedimientos de carga descritos.

LEA TODAS LAS INSTRUCCIONES

- **No incinere el paquete de baterías, aun si tiene daños importantes o está completamente desgastado.** El paquete de baterías puede explotar en el fuego. Cuando se queman los paquetes de baterías, se generan vapores y materiales tóxicos.
- **No cargue ni use la batería en atmósferas explosivas, como ambientes en los que hay líquidos, gases o polvo inflamables.** Insertar o retirar la batería del cargador puede encender el polvo o los vapores.
- **Si el contenido de las baterías entra en contacto con la piel, lave el área de inmediato con agua y jabón suave.** Si el líquido de la batería entra en contacto con los ojos, enjuague con agua manteniendo los ojos abiertos durante 15 minutos o hasta que la irritación cese. Si se necesita atención médica, el electrolito de las baterías de iones de litio contiene una mezcla de carbonatos orgánicos líquidos y sales de litio.
- **El contenido de las células de la batería abierta puede causar irritación respiratoria.** Respire aire fresco. Si los síntomas persisten, busque atención médica.

⚠ADVERTENCIA: Riesgo de quemaduras. El líquido de la batería puede encenderse si se expone a chispas o llamas.

- **Cargue los paquetes de baterías solamente en cargadores Black & Decker.**
- **NO salpique ni sumerja en agua u otros líquidos.** Esto puede causar una falla prematura de las células.
- **No almacene ni utilice la herramienta y el paquete de baterías en lugares en los que la temperatura pueda alcanzar o superar los 40 °C (105 °F) (como en toldos al aire libre o construcciones de metal en verano).**

⚠ADVERTENCIA: Nunca intente abrir el paquete de baterías por ningún motivo. Si la caja del paquete de baterías está agrietada o dañada, no la introduzca en el cargador. No comprima, deje caer ni dañe el paquete de baterías. No utilice un paquete de baterías o un cargador que haya recibido un golpe fuerte, se haya caído, esté agotado o dañado de alguna forma (por ejemplo, perforado con un clavo, golpeado con un martillo, pisado). Los paquetes de baterías dañados deben devolverse al centro de mantenimiento para su reciclado.

⚠ADVERTENCIA: Riesgo de incendio. No guarde o transporte la batería de ninguna manera que permita que los terminales expuestos de la batería entren en contacto con objetos metálicos. Por ejemplo, no coloque la batería en delantales, bolsillos, cajas de herramientas, cajas de juegos de productos, cajones, con clavos, tornillos, llaves sueltas, etc. Transportar baterías puede provocar incendios si los terminales de la batería entran en contacto accidentalmente con materiales conductores como llaves, monedas, herramientas manuales y

similares. Las Normas para Materiales Peligrosos del Departamento de Transporte de los EE.UU. (HMR) concretamente prohíben transportar baterías comercialmente o en aviones (es decir, empacadas en maletas y equipaje de mano) A MENOS que estén debidamente protegidas de cortocircuitos. Por lo tanto, cuando transporte baterías individuales, asegúrese de que los terminales de la batería estén protegidos y bien aislados de materiales que puedan hacer contacto y causar un cortocircuito. **NOTA:** Las baterías de IONES DE LITIO no deben guardarse en el equipaje que se despacha.

RECOMENDACIONES CON RESPECTO AL ALMACENAMIENTO

1. El mejor lugar de almacenamiento es uno que sea fresco y seco fuera de la luz solar directa y de un exceso de calor o frío.
2. El almacenamiento prolongado no dañará el paquete de baterías o el cargador, siempre y cuando la batería no esté completamente descargada.

PROCEDIMIENTO DE CARGA

Los cargadores Black and Decker están diseñados para cargar paquetes de baterías Black and Decker: LCS36 (2 horas), LCS436 (6 horas).

1. Enchufe el cargador en un tomacorriente adecuado antes de insertar el paquete de baterías.
2. Introduzca el paquete de baterías en el cargador.
3. El indicador LED verde destellará indicando que la batería se está cargando.
4. La batería está completamente cargada cuando el indicador LED verde permanece encendido continuamente. El paquete está completamente cargado y puede utilizarse en este momento o dejarse en el cargador.

Después del uso, recargue las baterías descargadas a la brevedad posible o de lo contrario la vida útil de las baterías podría acortarse en gran medida.

DIAGNÓSTICO DEL CARGADOR

Este cargador está diseñado para detectar ciertos problemas que pueden surgir con los paquetes de baterías o el cargador. Los problemas se indican mediante el indicador LED ámbar, que destella en diferentes patrones.

BATERÍA DAÑADA

El cargador puede detectar una batería débil o dañada. El indicador LED destellará en el patrón indicado en la etiqueta. Si observa este patrón de destello de batería dañada, no continúe cargando la batería. Devuélvala a un centro de mantenimiento o a un lugar de recolección para reciclado.

RETRASO POR PAQUETE CALIENTE/FRÍO

Cuando el cargador detecta que la batería está excesivamente caliente o fría, comienza un Retraso por paquete caliente/frío, y suspende la carga hasta que la batería se haya normalizado. Después que ocurra esto, el cargador cambia automáticamente al modo de Paquete cargando. Esta función garantiza la duración máxima de la batería. El indicador LED rojo destellará en un patrón indicado en la etiqueta cuando detecte el retraso por paquete caliente / frío.

DEJAR EL PAQUETE DE BATERÍAS EN EL CARGADOR

El cargador y el paquete de baterías se pueden dejar conectados con la luz verde encendida indefinidamente. El cargador mantendrá el paquete de baterías como nuevo y completamente cargado.

NOTAS IMPORTANTES SOBRE LA CARGA

1. Se puede obtener una mayor duración y óptimo rendimiento si se carga el paquete de baterías cuando la temperatura del aire está entre los 16°C y los 27°C (60°F y 80°F). NO cargue el paquete de batería con una temperatura ambiental por debajo de +4,5 °C (+40 °F) o por encima de +40,5 °C (+105 °F). Esto es importante y evitará daños graves en el paquete de baterías.
2. El cargador y el paquete de baterías pueden estar calientes al tacto durante la carga. Esto es una condición normal y no indica un problema. Para facilitar el enfriado del paquete de baterías después de su uso, evite colocar el cargador o el paquete de baterías en un ambiente cálido, como debajo de un toldo de metal o en un remolque sin aislamiento.
3. Si el paquete de baterías no se carga adecuadamente:
 - a. Revise el tomacorriente enchufando una lámpara u otro aparato
 - b. Verifique si el tomacorriente está conectado a un interruptor que corta la energía cuando usted apaga la luz.
 - c. Mueva el cargador y el paquete de baterías a un lugar donde la temperatura ambiental sea alrededor de 16 °C a 27 °C (60 °F a 80 °F).
 - d. Si los problemas de carga persisten, lleve la herramienta, el paquete de baterías y el cargador al centro de mantenimiento local.
4. Se debe recargar el paquete de baterías cuando no produce energía suficiente para tareas que previamente realizaba con facilidad. NO CONTINÚE

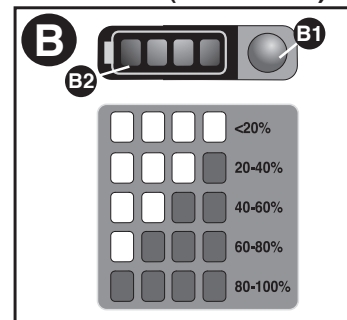
utilizando la herramienta en estas condiciones. Siga el procedimiento de carga. También se puede cargar un paquete de baterías parcialmente agotado cuando se desee, sin ningún efecto negativo sobre éstas.

5. Se deben mantener lejos de las cavidades del cargador los materiales extraños de naturaleza conductora, entre los que se incluyen la lana de acero, el papel de aluminio o cualquier acumulación de partículas metálicas. Siempre desenchufe el cargador del tomacorriente cuando no haya un paquete de baterías en la cavidad. Desenchufe el cargador antes de intentar limpiarlo.
6. No congele ni sumerja el cargador en agua ni en ningún otro líquido.

⚠️ ADVERTENCIA: Riesgo de descarga eléctrica. No permita que ningún líquido entre en el cargador. *Nunca intente abrir el paquete de baterías por ningún motivo. Si la cubierta protectora de plástico del paquete de baterías se rompe o agrieta, devuélvala a un centro de mantenimiento para su reciclado.*

INDICADOR DEL ESTADO DE LA CARGA (FIGURA B)

La batería está equipada con un indicador de estado de la carga. Esto se puede utilizar para visualizar el nivel actual de carga de la batería durante el uso y durante la carga. No indica el nivel de funcionalidad de la herramienta y puede variar de acuerdo a las piezas del producto, la temperatura y la aplicación que el usuario le dé.



Verificación del estado de carga durante el uso:

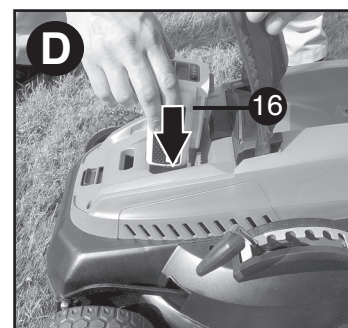
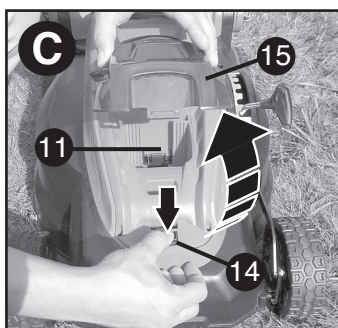
- Oprima el botón del indicador de estado de la carga (B1).
- Los cuatro LED (B2) se encenderán para indicar el porcentaje de carga de la batería. Consulte el recuadro en la **Figura B**.
- Si la luz LED no enciende, cargue la batería.

INSTALACIÓN Y EXTRACCIÓN DEL PAQUETE DE BATERÍAS

⚠️ ADVERTENCIA: Asegúrese de quitar la llave de seguridad para evitar el accionamiento antes de extraer o instalar la batería.

PARA INSTALAR EL PAQUETE DE BATERÍAS:

- Oprima el botón de liberación de la cubierta del puerto de la batería (14) y tire de la cubierta del puerto de la batería (15) para exponer el puerto de la batería (11) como se muestra en la **Figura C**.
- Deslice la batería (16) en el puerto de la batería hasta que quede bien asentado y se escuche un clic (**Figura D**). Asegúrese de que el paquete de baterías esté bien asentado y completamente asegurado en su lugar.
- Cierre la cubierta del puerto de la batería. Asegúrese de que la cubierta esté completamente asegurada antes de arrancar la cortadora de césped.



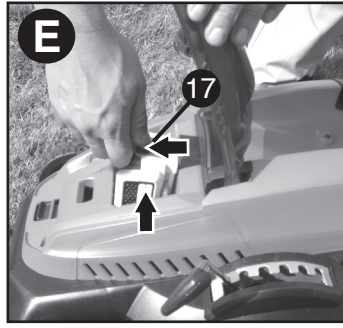
Este producto es compatible con todas las baterías y los cargadores detallados en el siguiente cuadro.

Cargadores y paquetes de baterías de LI-ION

Descripción	N.º de cat.
Batería: LI-ION	LBX36 LBXR36 LBXR2036
Cargador: LI-ION	LCS36 LCS436

PARA EXTRAER EL PAQUETE DE BATERÍAS:

- Abra la cubierta del puerto de la batería (15) como se describió antes.
- Oprima el botón de liberación de la batería (17) del paquete de baterías y tire de este para extraerlo de la herramienta como se muestra en la **Figura E**.



ENSAMBLAJE

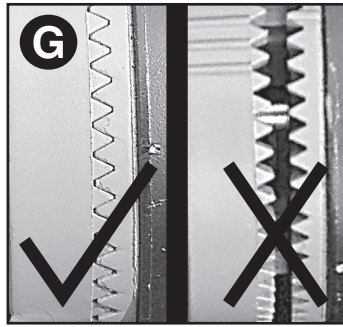
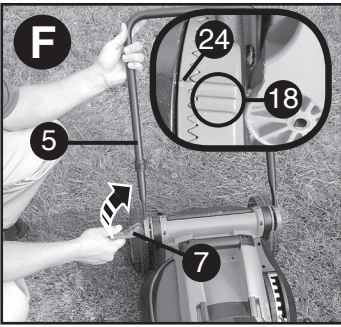
⚠ADVERTENCIA: Antes del ensamblaje, asegúrese de que el mango de suspensión esté suelto y se haya quitado la llave de seguridad.

INSTALACIÓN DEL MANGO INFERIOR

- Levante el mango inferior (5) a su posición asegurándose de que una de las tres muescas (18) del mango inferior (recuadro de la **Figura F**) esté alineada con la muesca (24) que se encuentra en la base de la cortadora de césped.

NOTA: Asegúrese de que cada lado del mango inferior esté ajustado en la misma muesca.

- Cierre las palancas de ajuste de altura del mango (7) como se muestra en la **Figura F**. Al cerrar cada una, asegúrese de que los dientes se enganchen como se muestra en la **Figura G**.
- Si la conexión entre el mango y la palanca está demasiado apretada o suelta, abra la palanca y ajuste la profundidad de esta. Ciérrala nuevamente hasta que los dientes estén completamente asegurados y cada palanca se mantenga firmemente cerrada.



INSTALACIÓN DEL MANGO SUPERIOR (FIGURA H)

- Quite las palancas de fijación del mango (6), las tuercas (19) y las arandelas (20) del mango.
- Alinee los orificios de la parte inferior del mango superior (4) con los orificios en la parte superior del mango inferior (5).

NOTA: Asegúrese de que el cable esté ubicado en el frente de ambos mangos. De no ser así, el resultado puede ser que el cable se enrede y haga imposible guardar la cortadora de césped con facilidad.

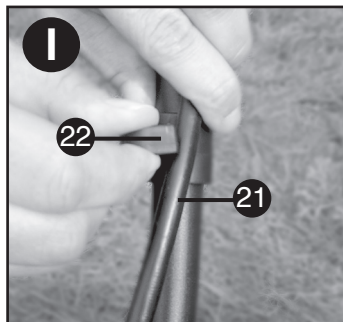
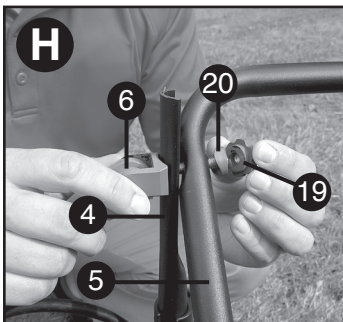
- Deslice la palanca a través de los orificios.
- Gire el mango superior hasta su posición de funcionamiento.
- Cierre la palanca. Si es demasiado apretado o demasiado flojo, abra la palanca y gírela para ajustar la sujeción. Revise las palancas cerrándolos. Usted debe ser capaz de colapsar la barra superior cuando ambas palancas están sueltas y el mango superior tiene que ser firmemente retenida a la manija inferior cuando las palancas están cerrados. Ajuste el funcionamiento de la palanca girando la tuerca, mientras que la palanca está en la posición abierta hasta que el mango se puede mover y también ser asegurado como se describió anteriormente.

FIJACIÓN DEL CABLE DEL MOTOR (FIGURA I)

El cable del motor (21) debe sujetarse a los mangos utilizando las fijaciones para cable (22) que ya se encuentran instaladas en el mango.

Para enganchar el cable en el mango:

- Extienda el cable por el frente de los mangos inferior y superior.
- Tire hacia atrás de la fijación para cable.
- Deslice el cable del motor por debajo del sujetador y asegúrese de que quede completamente sujeto en su lugar por la fijación.

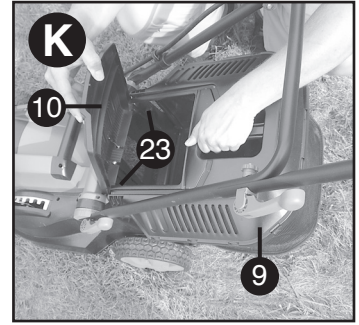
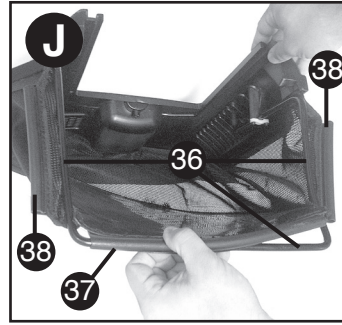


ENSAMBLAJE DE LA BOLSA DE RECOLECCIÓN DE CÉSPED (FIGURA J)

- Deslice el gancho largo de la bolsa (37) sobre la parte superior de la varilla (36) y ajústelo en su lugar alrededor de esta.
- Instale los dos ganchos cortos de la bolsa (38) sobre la parte exterior de la varilla.
- Asegúrese de que los tres ganchos estén bien instalados.

INSTALACIÓN DE LA BOLSA DE RECOLECCIÓN DE CÉSPED (FIGURA K)

- Levante la aleta posterior (10) y coloque la bolsa de recolección de césped (9) sobre las lengüetas (23) como se muestra en la **Figura K**.



OPERACIÓN

LEA ESTE MANUAL DE INSTRUCCIONES Y LAS REGLAS DE SEGURIDAD ANTES DE OPERAR SU SEGADORA. Consulte la sección "Descripción del funcionamiento" para familiarizarse con la ubicación de los diversos controles y ajustes. Guarde este manual para referencia en el futuro.

⚠ADVERTENCIA: Hoja afilada en movimiento. No opere la podadora si la puerta trasera no está cerrada bajo la tensión del muelle ya que podrían provocar lesiones graves. Tome su segadora para el centro de servicio más cercano para su reparación.

⚠ADVERTENCIA: Hoja afilada en movimiento. Nunca opere la podadora a menos que los ganchos de suspensión del colector de césped estén correctamente colocadas en la máquina y la puerta de descarga posterior descansa firmemente contra la parte superior del colector de césped se pueden ocasionar heridas graves.

⚠ADVERTENCIA: No opere la cortadora sin bolsa de recogida (9) adjunto.

⚠ADVERTENCIA: Deje que funcione el aparato a su propio ritmo. No sobrecargue.

AJUSTE DE LA ALTURA DEL MANGO (FIGURA L)

- Abra ambas palancas de ajuste de la altura del mango (7).
- Levante el mango de manera que una de las tres muescas (18) del mango esté alineada con la muesca (24) que se encuentra en la base de la cortadora de césped. Asegúrese de que el mango esté ajustado en la misma muesca a ambos lados de la cortadora de césped.
- Cierre ambas palancas y asegúrese de que el mango esté firmemente asegurado.

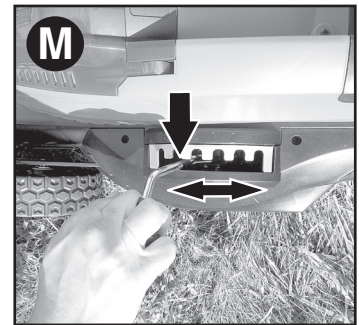
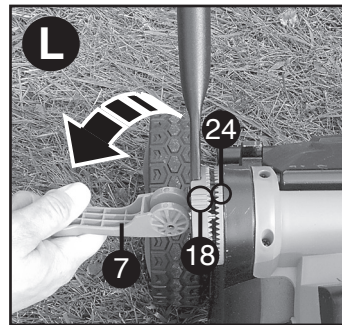
AJUSTE DE LA ALTURA DE LA CORTADORA DE CÉSPED (FIGURA M)

La altura de corte se ajusta mediante el mecanismo central de ajuste de altura y puede elegirse entre 6 posiciones distintas.

NOTA: Comience cortando con la palanca de ajuste de altura (8) en la posición 6 y redúzcala según sea necesario.

Para ajustar la altura de corte:

- Tire de la palanca de ajuste de altura (8) de la cortadora de césped separándola del cuerpo de la unidad.
- Mueva la palanca hacia la parte posterior del aparato para reducir la altura de corte.
- Mueva la palanca hacia la parte delantera del aparato para aumentar la altura de corte.
- Empuje la palanca de ajuste de altura a una de las 6 posiciones de altura.



LLAVE DE SEGURIDAD

⚠️ PELIGRO: HOJA MÓVIL FILOSA.

Con el fin de evitar un arranque accidental o un uso no autorizado de la cortadora de césped inalámbrica, se ha incorporado una llave de seguridad desmontable (2) en el diseño de esta. La cortadora de césped quedará completamente desactivada cuando se haya quitado la llave de seguridad de esta.

NOTA: LA LLAVE DE SEGURIDAD TIENE UN ORIFICIO EN EL CENTRO PARA COLGARLA DE UN CLAVO, LEJOS DEL ALCANCE DE LOS NIÑOS. NO AMARRE LA LLAVE DE SEGURIDAD A LA PODADORA.

⚠️ PELIGRO: LAS HOJAS GIRATORIAS PUEDEN PROVOCAR LESIONES GRAVES. PARA EVITAR LESIONES GRAVES, RETIRE LA LLAVE DE SEGURIDAD CUANDO DEJE LA PODADORA SIN SUPERVISIÓN O CUANDO LA CARGUE, LIMPIE, MANTENGA, TRANSPORTE, LEVANTE O GUARDE.

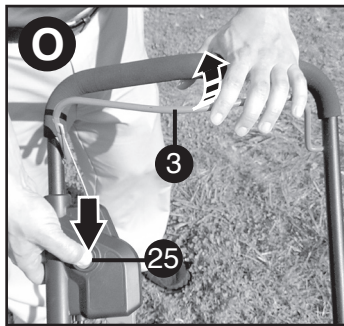
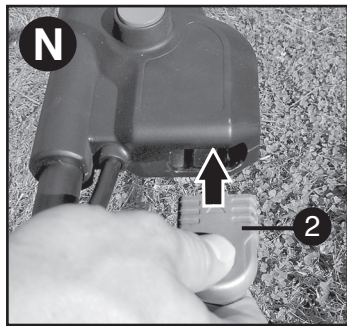
ARRANQUE DE LA CORTADORA DE CÉSPED

⚠️ PELIGRO: HOJA MÓVIL FILOSA. NUNCA INTENTE ANULAR LA OPERACIÓN DE ESTE INTERRUPTOR Y DEL SISTEMA DE LA LLAVE DE SEGURIDAD YA QUE PUEDEN PRODUCIRSE LESIONES GRAVES.

- Inserte la llave de seguridad (2) en la caja del interruptor hasta que esté completamente inserta en la caja como se muestra en la **Figura N**. Ahora, la cortadora de césped se encuentra operativa.
- La cortadora de césped está equipada con una caja del interruptor especial de encendido-apagado. Para utilizar la cortadora de césped, oprima el botón (25) en la caja del interruptor y luego tire del mango de suspensión (3) hacia la barra del mango como se muestra en la **Figura O**.
- Para apagar la cortadora de césped, simplemente suelte el mango de suspensión.

⚠️ ADVERTENCIA: No intente bloquear un interruptor en la posición de encendido.

NOTA: Una vez que el estribo de suspensión ha vuelto a su posición original, se activará el "mecanismo de frenado automático". El motor se frena eléctricamente y la cuchilla del cortacésped dejará de girar en 3 segundos o menos.



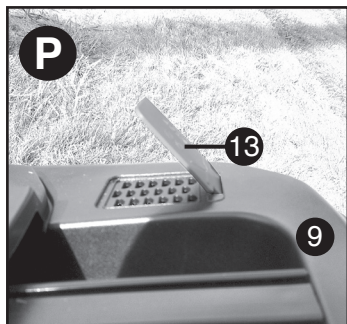
SOBRECARGA DE LA PODADORA

Para evitar daños debido a condiciones de sobrecarga, no intente extraer demasiado césped a la vez. Reduzca el ritmo de corte o eleve la altura de corte.

INDICADOR DE BOLSA LLENA

Esta cortadora de césped está equipada con un indicador (13) que le informa cuando la bolsa de recolección de césped (9) está llena.

- Cuando la bolsa está vacía y la cortadora de césped se está utilizando, el indicador se elevará como se muestra en la **Figura P**.
- Cuando la bolsa está llena, se restringirá el flujo de aire y el indicador se cerrará como se muestra en la **Figura Q**.



ALMACENAMIENTO DE LA CORTADORA DE CÉSPED

⚠️ ADVERTENCIA: Una hoja girando puede provocar lesiones graves. Suelte la palanca de suspensión (3) para apagar la cortadora de césped y quite la batería antes de levantarla, transportarla o almacenarla. Guárdela en un lugar seco.

⚠️ PRECAUCIÓN: Punto de pellizco. Para evitar pellizcos, mantenga

los dedos lejos del área entre los mangos al plegar los mangos.

⚠️ PRECAUCIÓN: Asegúrese de que el cable no se estire o pellizque en las articulaciones de los mangos durante el plegado. Esto puede provocar daños en el cable.

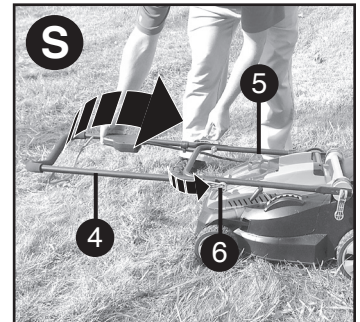
El mango de la cortadora de césped puede plegarse fácilmente para un almacenamiento rápido y cómodo.

- Mientras sostiene el mando, abra, pero no quite, las palancas de ajuste de altura del mango (7) y pliegue el mango hacia la parte delantera de la cortadora de césped como se muestra en la **Figura R**.
- Abra, pero no quite, las palancas de fijación del mango (6) y pliegue el mango superior (4) hacia atrás sobre el mango inferior (5) como se muestra en la **Figura S**.
- La cortadora de césped debe compactarse como se muestra en la **Figura T**.

TRANSPORTE DE LA CORTADORA DE CÉSPED

⚠️ PELIGRO: LAS HOJAS GIRANDO PUEDEN PROVOCAR LESIONES GRAVES. PARA EVITAR LESIONES GRAVES, quite la llave de seguridad cuando deje la cortadora de césped sin supervisión o cuando la cargue, limpie, mantenga, transporte, levante o almacene.

- La cortadora de césped puede transportarse utilizando el cómodo mango de transporte (12) como se muestra en la **Figura U**.



CONSEJOS PARA EL CORTE DE CÉSPED

NOTA: SIEMPRE INSPECCIONE EL ÁREA DONDE VA A UTILIZAR LA PODADORA Y RETIRE TODAS LAS PIEDRAS, PALOS, ALAMBRES, HUESOS Y OTROS RESIDUOS QUE PODRÍAN SER LANZADOS POR LA HOJA EN ROTACION.

1. En las pendientes corte el césped transversalmente, nunca subiéndolas y bajándolas. Sea extremadamente cuidadoso cuando cambie de dirección sobre pendientes. No corte el césped en pendientes demasiado pronunciadas. Siempre mantenga los pies bien apoyados.
2. Suelte la palanca del interruptor para apagar la podadora al cruzar cualquier área con grava (la hoja podría lanzar piedras).
3. Para cortar el césped en terreno escabrosos o con malezas altas, seleccione la máxima altura de corte. Si intenta cortar demasiada cantidad de césped de una vez, puede causar que se sobrecargue el motor y que se detenga. Consulte la guía de solución de problemas.
4. Si se utiliza un recolector de césped durante la estación de crecimiento rápido, es posible que el césped tienda a obstruirse en la abertura de descarga. Suelte la palanca del interruptor para apagar la podadora y retire la llave de seguridad. Retire el recolector y sacúdalo para que el césped caiga hacia el extremo posterior de la bolsa. Además, limpie el césped o los residuos que se hayan compactado alrededor de la abertura de descarga. Vuelva a colocar el recolector de césped.
5. Si la podadora comienza a vibrar en forma anormal, suelte la palanca del interruptor para apagarla y retire la llave de seguridad. Verifique de inmediato para encontrar la causa. La vibración indica un problema. No opere la podadora hasta que no se haya realizado una verificación de mantenimiento. Consulte la guía de solución de problemas en el manual.
6. **SIEMPRE SUELTE LA PALANCA DEL INTERRUPTOR PARA APAGAR LA PODADORA Y RETIRE LA LLAVE DE SEGURIDAD**

CUANDO LA DEJE SIN SUPERVISIÓN AUNQUE SEA DURANTE UN PERÍODO BREVE.

LAS SIGUIENTES SUGERENCIAS LE AYUDARÁN A OBTENER UN TIEMPO DE FUNCIONAMIENTO ÓPTIMO DE LA PODADORA INALÁMBRICA:

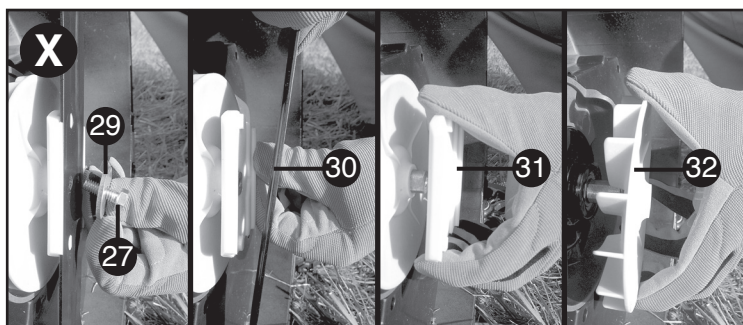
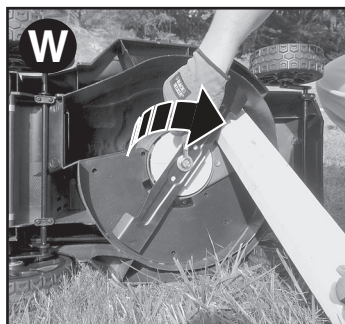
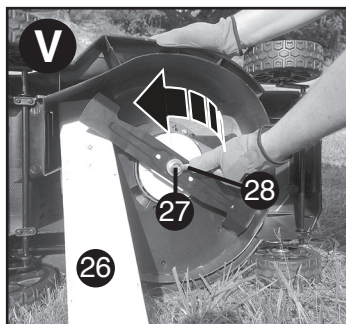
1. Reduzca la velocidad en las áreas donde el césped esté demasiado alto o sea demasiado tupido.
2. Evite cortar el césped cuando está mojado porque ha llovido o ha caído rocío.
3. Corte el césped a menudo, especialmente durante los períodos de crecimiento rápido.

NOTA: SE RECOMIENDA QUE LA PODADORA SE RECARGUE DESPUÉS DEL USO PARA PROLONGAR LA VIDA ÚTIL DE LA BATERÍA. LA CARGA FRECUENTE NO DA—A LA BATERÍA Y, DE ESTA MANERA, USTED SE ASEGURA QUE ESTÉ TOTALMENTE CARGADA PARA LA PRÓXIMA VEZ QUE DESEE UTILIZAR LA PODADORA. SI GUARDA LA BATERÍA SIN CARGARLA COMPLETAMENTE SE ACORTARÁ SU VIDA ÚTIL.

EXTRACCIÓN E INSTALACIÓN DE LA HOJA

⚠PELIGRO: RIESGO DE LESIÓN. AL VOLVER A ENSAMBLAR EL SISTEMA DE LA HOJA, ASEGÚRESE DE QUE CADA PIEZA SE REINSTALE CORRECTAMENTE, COMO SE DESCRIBE A CONTINUACIÓN. EL ENSAMBLE INCORRECTO DE LA HOJA U OTRAS PIEZAS DEL SISTEMA DE LA HOJA PUEDE PROVOCAR LESIONES GRAVES.

1. **⚠ADVERTENCIA:** SUELTE EL MANGO DE SUSPENSIÓN PARA APAGAR LA CORTADORA DE CÉSPED, ESPERE A QUE LA HOJA SE DETENGA YQuite LA LLAVE DE SEGURIDAD Y EL PAQUETE DE BATERÍAS.
2. Corte un trozo de madera de 51 x 102 mm (2 x 4 pulg.) (aproximadamente 0,6 m [2 pies] de largo) para evitar que la hoja gire al quitar el perno (27).
3. Use guantes y protección adecuada para los ojos. Gire la cortadora de césped sobre un costado. Tenga cuidado con los bordes filosos de la hoja. Coloque el trozo de madera y desenrosque el perno con la llave de 13 mm (28) como se muestra en la **Figura V**.
4. Quite el perno y la arandela (29). Extraiga la hoja (30), el aislador de la hoja (31) y el ventilador (32) como se muestra en la **Figura X**. Examine todas las piezas en busca de daños y reemplácelas si es necesario.
5. Para volver a ensamblar, deslice el ventilador (32) sobre la cortadora de césped con las aspas del ventilador mirando hacia la cortadora de césped (imagen del extremo derecho en la **Figura X**) y luego deslice encima el aislador de la hoja con las clavijas en forma de D mirando en dirección opuesta a la cortadora de césped. La hoja solo puede instalarse en el aislador en una dirección. Alinee los orificios en forma de D de la hoja con las clavijas en forma de D del aislador, asegurándose de que la inscripción sobre la hoja mire en dirección opuesta a la cortadora de césped.
6. Para un ajuste firme, coloque la pieza de madera como se muestra en la **Figura W** para evitar que la hoja gire. Deslice el perno y la arandela a través de todas las demás piezas y ajústelos firmemente con la llave.



AFILADO DE LA HOJA

MANTENGA LA HOJA AFILADA PARA OBTENER EL MEJOR RENDIMIENTO DE LA PODADORA. UNA HOJA DESAFILADA NO PRODUCE UN CORTE LIMPIO DEL CÉSPED NI CORTES ADECUADOS PARA MANTILLO.

UTILICE PROTECCIÓN ADECUADA PARA LOS OJOS MIENTRAS RETIRA, AFILA E INSTALA LA HOJA. VERIFIQUE QUE SE HAYA RETIRADO LA LLAVE DE SEGURIDAD Y EL PAQUETE DE BATERÍAS. En circunstancias normales, generalmente es suficiente afilar la hoja dos veces durante una temporada de corte del césped. La arena hace que la hoja se desafilé rápidamente. Si su césped tiene un suelo arenoso, es probable que se requiera un afilado más frecuente.

REEMPLACE DE INMEDIATO UNA HOJA DOBLADA O DANADA.

AL AFILAR LA HOJA:

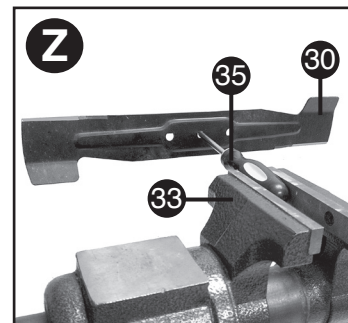
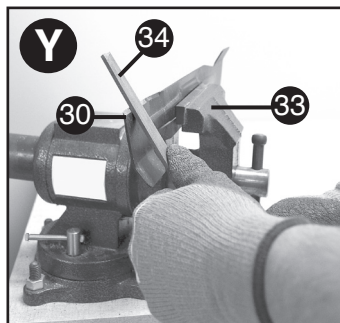
1. Asegúrese de que la hoja se mantenga simétrica.
2. Afile la hoja según el ángulo de corte original.
3. Afile los bordes de corte en ambos extremos de la hoja, retirando la misma cantidad de material en ambos extremos.

PARA AFILAR LA HOJA EN UNA PRENSA: (FIGURA Y)

1. Asegúrese de soltar la palanca del interruptor, que la hoja se haya detenido y que la llave de seguridad y el paquete de baterías se hayan retirado antes de quitar la hoja.
2. Retire la hoja de la podadora. Consulte las instrucciones para retirar e instalar la hoja.
3. Asegure la hoja (30) en una prensa (33).
4. Use guantes y protección adecuada para los ojos, y tenga cuidado de no cortarse.
5. Lime cuidadosamente los bordes de corte de la hoja con una lima de dientes finos (34) o una piedra de afilar, manteniendo el borde de corte original.
6. Verifique la simetría de la hoja. Consulte las instrucciones para simetría de la hoja.
7. Vuelva a colocar la hoja en la podadora y ajústela firmemente.

SIMETRÍA DE LA HOJA (FIGURA Z)

Verifique la simetría de la hoja colocando el agujero central de la **hoja** (30) sobre un clavo o un destornillador de vástago redondo (35), sujeto horizontalmente en una prensa (33). Si alguno de los extremos de la hoja gira hacia abajo, lime ese extremo. La hoja tiene una simetría adecuada cuando ninguno de los extremos baja.



LUBRICACIÓN

No se necesita ningún tipo de lubricación. No aceite las ruedas. Tienen superficies plásticas en los rodamientos que no requieren lubricación alguna.

LIMPIEZA

Suelte la palanca del interruptor para apagar la podadora, espere hasta que la hoja se detenga y luego retire la llave de seguridad y el paquete de baterías. Para limpiar la podadora, utilice únicamente jabón suave y un paño húmedo. Limpie todos los recortes de césped que podrían haberse acumulado por debajo de la plataforma. Después de varios usos, verifique el ajuste de todos los elementos de fijación expuestos. Asegúrese de que los terminales y el compartimiento de baterías de la podadora estén libres de residuos.

PREVENCIÓN DE LA CORROSIÓN

Los fertilizantes y otros productos químicos para el jardín contienen agentes que aceleran considerablemente la corrosión de los metales. Si corta el césped en áreas donde se han utilizado fertilizantes o productos químicos, se debe limpiar la podadora inmediatamente después del modo siguiente: (1) suelte la palanca del interruptor para apagar la podadora y retire la llave de seguridad y el paquete de baterías, (2) limpie todas las piezas expuestas con un paño húmedo.

⚠PRECAUCIÓN: NO VIERTA NI ROCÍE AGUA SOBRE LA PODADORA PARA LIMPIARLA. No guarde la herramienta sobre o junto a fertilizantes o productos químicos. Dicho almacenamiento puede provocar una rápida corrosión.

CUMPLE CON LOS REQUISITOS DE SEGURIDAD CPSC

Black and Decker Cortadoras se ajustan a las normas de seguridad del American National Standards Institute, y de la Comisión de Seguridad de Productos del Consumidor EE.UU.. La cuchilla gira cuando el motor está en marcha.

MANTENIMIENTO

IMPORTANTE: Para asegurar la SEGURIDAD y CONFIABILIDAD del producto, las reparaciones, el mantenimiento y el ajuste (incluida la inspección y reemplazo de los cepillos) deben realizarlos los centros de mantenimiento de BLACK & DECKER u otras organizaciones de mantenimiento calificadas, siempre utilizando piezas de repuesto de Black & Decker. Al realizar el mantenimiento utilice SÓLO PIEZAS DE REPUESTO IDÉNTICAS.

ACCESORIOS

Los accesorios recomendados para uso con la podadora están disponibles en su distribuidor local o centro de mantenimiento autorizado. Si necesita asistencia en relación con los accesorios, llame al: **1-800-544-6986**

⚠️ ADVERTENCIA: El uso de cualquier accesorio no recomendado para uso con esta herramienta puede resultar peligroso.

EL SELLO RBRC™

El sello RBRC™ (Corporación de reciclado de baterías recargables) que se encuentra en la batería de iones de litio (o paquete de baterías) indica que los costos de reciclar la batería (o el paquete de baterías) al final de su vida útil ya fueron pagados por **Black & Decker**.

RBRC™ en cooperación con **Black & Decker** y otros usuarios de baterías, ha establecido programas en los Estados Unidos para facilitar la recolección de baterías de iones de litio agotadas. Ayude a proteger nuestro medio ambiente y a conservar los recursos naturales: devuelva las baterías de iones de litio agotadas a un centro de mantenimiento autorizado de **Black & Decker** o a un comerciante minorista local para que se reciclen. También puede comunicarse con el centro local de reciclado para obtener información sobre dónde dejar las baterías agotadas. RBRC™ es una marca comercial registrada de la Corporación de reciclado de baterías recargables.



INFORMACIÓN DE MANTENIMIENTO

Todos los Centros de mantenimiento de Black & Decker cuentan con personal altamente capacitado dispuesto a brindar a todos los clientes un servicio eficiente y confiable en la reparación de herramientas eléctricas. Si necesita consejo técnico, reparaciones o piezas de repuesto originales de fábrica, póngase en contacto con el centro de mantenimiento de Black & Decker más cercano a su domicilio. Para ubicar su centro de servicio local, llame al **(55)5326-7100** o visite nuestro sitio www.blackanddecker.com.

GARANTÍA LIMITADO DE DOS AÑOS PARA USO EN EL HOGAR

Black & Decker (Estados Unidos) Inc. ofrece una garantía de dos años por cualquier defecto del material o de fabricación de este producto. El producto defectuoso se reparará o reemplazará sin costo alguno de dos maneras. La primera opción, el reemplazo, es devolver el producto al comercio donde se lo adquirió (siempre y cuando se trate de un comercio participante). Las devoluciones deben realizarse conforme a la política de devolución del comercio (generalmente, entre 30 y 90 días posteriores a la venta). Le pueden solicitar comprobante de compra. Consulte en el comercio acerca de la política especial sobre devoluciones una vez excedido el plazo establecido.

La segunda opción es llevar o enviar el producto (con flete pago) a un Centro de mantenimiento propio o autorizado de Black & Decker para su reparación o reemplazo según nuestro criterio. Le pueden solicitar el comprobante de compra.

Esta garantía no se extiende a los accesorios. Esta garantía le concede derechos legales específicos; usted puede tener otros derechos que pueden variar según el estado o la provincia. Si tiene alguna pregunta, comuníquese con el gerente del Centro de mantenimiento de Black & Decker de su zona. Este producto no está diseñado para uso comercial.

AMÉRICA LATINA: esta garantía no se aplica a los productos que se venden en América Latina. Para los productos que se venden en América Latina, debe consultar la información de la garantía específica del país que viene en el empaque, llamar a la compañía local o visitar el sitio Web a fin de obtener esa información.

· GARANTÍA BLACK & DECKER · BLACK & DECKER WARRANTY · SOLAMENTE PARA PROPOSITOS DE MEXICO

Distributor Name · *Sello firma del distribuidor*

Date of purchase · *Fecha de compra*

Invoice No. · *No. de factura*

PRODUCT INFORMATION · IDENTIFICACIÓN DEL PRODUCTO

Cat. No. · *Catalogo ó Modelo*

Serial Number · *No. de serie*

Name · *Nombre*

Last Name · *Apellido*

Address · *Dirección*

City · *Ciudad*

State · *Estado*

Postal Code · *Código Postal*

Country · *País*

Telephone · *No. Teléfono*

GUÍA DE SOLUCIÓN DE PROBLEMAS

PROBLEMA	SOLUCIÓN
1. La podadora no funciona al activar la palanca de seguridad.	<p>A. Verifique para asegurarse de que la llave de seguridad ha sido instalada y está completamente asentada, y que el botón del alojamiento del interruptor esté completamente oprimido.</p> <p>B. Suelte la palanca del interruptor para apagar la podadora. Retire la llave de seguridad y el paquete de baterías, voltee la podadora y verifique que la hoja pueda girar libremente.</p> <p>C. Verifique que la cavidad de la batería esté libre de residuos y correctamente conectada.</p> <p>D. ¿Se ha cargado la batería por completo? Enchufe el cargador y espere hasta que se encienda la luz verde.</p>
2. El motor se detiene mientras está cortando el césped.	<p>A. Suelte la palanca del interruptor para apagar la podadora. Retire la llave de seguridad y el paquete de baterías. Voltee la podadora y verifique que la hoja pueda girar libremente.</p> <p>B. Eleve la altura de corte de las ruedas a la posición más alta y encienda la podadora.</p> <p>C. Verifique que la cavidad de la batería esté libre de residuos y correctamente conectada.</p> <p>D. ¿Se ha cargado la batería por completo? Enchufe el cargador y espere hasta que se prenda la luz verde.</p> <p>E. Evite sobrecargar la podadora. Reduzca el ritmo de corte o eleve la altura de corte.</p>
3. La podadora funciona, pero el rendimiento de corte no es satisfactorio o no corta el césped en su totalidad.	<p>A. ¿Se ha cargado la batería por completo? Enchufe el cargador y espere hasta que se prenda la luz verde.</p> <p>B. Suelte la palanca del interruptor para apagar la podadora. Retire la llave de seguridad y el paquete de baterías. Voltee la podadora y verifique que: El filo de la hoja. Mantenga la hoja afilada. No haya obstrucciones en la plataforma o en el conducto de descarga</p> <p>C. Es posible que el ajuste de altura de las ruedas se haya fijado demasiado bajo para el estado del césped. Eleve la altura de corte.</p>
4. Cuesta mucho empujar la podadora.	<p>A. Eleve la altura de corte para reducir el rozamiento de la plataforma contra el césped. Verifique que cada rueda gire libremente.</p>
5. La podadora produce vibraciones y ruidos anormales.	<p>A. Suelte la palanca del interruptor para apagar la podadora. Retire la llave de seguridad y el paquete de baterías. Voltee la podadora sobre el costado y verifique la hoja para asegurarse de que no esté doblada o dañada. Si la hoja está dañada, reemplácela por una hoja de repuesto Black & Decker. Si la parte inferior de la plataforma está dañada, envíe la podadora a un centro de mantenimiento autorizado de Black & Decker.</p> <p>B. Si no hay daños visibles en la hoja y la podadora aún vibra: Suelte la palanca del interruptor para apagar la unidad, retire la llave de seguridad y el paquete de baterías, y retire la hoja. Haga girar la hoja 180 grados y vuelva a ajustarla. Si la podadora sigue vibrando, envíela a un centro de mantenimiento autorizado de Black & Decker.</p>
6. El LED del cargador de la batería no se enciende.	<p>A. Verifique la conexión del enchufe.</p> <p>B. Reemplace el cargador.</p>
7. La podadora no recoge los recortes de césped con la bolsa.	<p>A. El conducto está obstruido. Suelte la palanca del interruptor para apagar la podadora. Retire la llave de seguridad y el paquete de baterías. Elimine los recortes de césped del conducto.</p> <p>B. Demasiado césped cortado. Eleve la altura de corte de las ruedas para acortar la longitud del corte.</p> <p>C. La bolsa está llena. Vacíe la bolsa con mayor frecuencia.</p>

Solamente para Propósitos de México

para conocer la ubicación del centro de servicio más cercano a fin de recibir ayuda con su producto, visite nuestro sitio Web www.blackand-decker.com.mx o llame a la línea de ayuda BLACK & DECKER al 01 800 847 2309/01 800 847 2312.

2 AÑOS DE GARANTIA

Este producto cuenta con dos años de garantía a partir de la fecha de compra contra cualquier defecto de su funcionamiento, así como cualquier falla debido a materiales empleados para su fabricación ó mano de obra defectuosa. Nuestra garantía incluye la reparación o reposición del producto y/o componentes sin cargo alguno para el cliente incluyendo la mano de obra, esta incluye los gastos de trasportación erogados para lograr cumplimiento de esta garantía en los domicilios diversos señalados. Para hacer efectiva esta garantía deberá presentar su herramienta y esta póliza sellada por el establecimiento comercial donde se adquirió el producto. Nos comprometemos a entregar el producto en un lapso no mayor a 30 días hábiles contados a partir de la fecha de recepción del mismo en nuestros talleres de servicio autorizados.

ESTA GARANTIA NO APLICA CUANDO:

El producto se hubiese utilizado en condiciones distintas a las normales.
 El producto no hubiese sido operado de acuerdo con el instructivo de uso que se acompaña.
 El producto hubiese sido alterado o reparado por personas no autorizadas por nosotros.

Importador: Black & Decker S.A. de .C.V
 Bosque de Cidros Acceso Radiatas No.42
 3ra.Seccion de Bosques de las lomas
 C.P.05120, Mexico, D.F. Tel: (01 55) 5326 7100

SOLAMENTE PARA PROPOSITOS DE MEXICO

**Grupo Realsa en herramientas,
S.A. de C.V.**

Súper Manzana 69 MZ.01 Lote 30
(Av. Torcasita)
Col. Puerto Juárez
Cancún, Quintana Roo
Tel. 01 998 884 72 27

Ferre Pat de Puebla, S.A. de C.V.

16 de Septiembre No. 6149
Col. El Cerrito
Puebla, Puebla
Tel. 01 222 264 12 12

Ferre Pat de Puebla, S.A. de C.V.

Ejército Mexicano No. 15
Col. Ejido 1ro. de Mayo
Boca del Río, Veracruz
Tel. 01 229 167 89 89

**Servicio de Fabrica Black & Decker,
S.A. de C.V.**

Lázaro Cardenas No. 18
Col. Obrera
Distrito Federal
Tel. 55 88 95 02

**Representaciones Industriales Robles,
S.A. de C.V.**

Tezozomoc No. 89
Col. La Preciosa
Distrito Federal
Tel. 55 61 86 82

**Gpo. Comercial de Htas. y Refacciones
de Occidente, S.A. de C.V.**

Av. La Paz No. 1779
Col. Americana, S. Juárez
Guadalajara, Jalisco
Tel. 01 33 38 25 69 78

Herramientas y Equipos Profesionales

Av. Colón 2915 Ote.
Col. Francisco I. Madero
Monterrey, Nvo. León
Tel. 01 81 83 54 60 06

**Htas. Portátiles de Chihuahua,
S.A. de C.V.**

Av. Universidad No. 2903
Col. Fracc. Universidad
Chihuahua, Chihuahua
Tel. 01 614 413 64 04

Fernando González Armenta

Bolivia No. 605
Col. Felipe Carrillo Puerto
Cd. Madero, Tamaulipas
Tel. 01 833 221 34 50

Perfiles y Herramientas de Morelia

Gertrudis Bocanegra No. 898
Col. Ventura Puente
Morelia, Michoacán
Tel. 01 443 313 85 50

Enrique Robles

Av. de la Solidaridad No. 12713
Col. La Pradera
Irapuato, Guanajuato
Tel. 01 462 626 67 39

Hernández Martínez Jeanette

Prolongación Corregidora Nte. No. 1104
Col. Arboledas
Querétaro, Qro.
Tel. 01 442 245 25 80

PARA OTRAS LOCALIDADES LLAME AL 01 800 847 2309 o 01 800 847 2312.

BLACK & DECKER S.A. DE C.V.
BOSQUES DE CIDROS ACCESO RADIATAS NO. 42
COL. BOSQUES DE LAS LOMAS.
05120 MÉXICO, D.F.
TEL. (01 55) 5326 7100
01 800 847 2309/01 800 847 2312

Free Manuals Download Website

<http://myh66.com>

<http://usermanuals.us>

<http://www.somanuals.com>

<http://www.4manuals.cc>

<http://www.manual-lib.com>

<http://www.404manual.com>

<http://www.luxmanual.com>

<http://aubethermostatmanual.com>

Golf course search by state

<http://golfingnear.com>

Email search by domain

<http://emailbydomain.com>

Auto manuals search

<http://auto.somanuals.com>

TV manuals search

<http://tv.somanuals.com>