

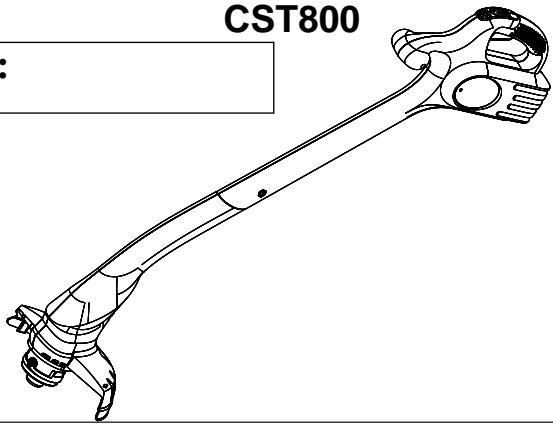
BLACK & DECKER®

Cordless 12 Volt Trimmer

INSTRUCTION MANUAL

CST800

Date Code:



BEFORE RETURNING THIS PRODUCT FOR ANY REASON PLEASE CALL

1-800-54-HOW-TO (544-6986)

IF YOU SHOULD EXPERIENCE A PROBLEM WITH YOUR BLACK & DECKER PRODUCT, CALL 1-800-54-HOW-TO (544-6986). BEFORE YOU CALL, HAVE THE FOLLOWING INFORMATION AVAILABLE, CATALOG NO., TYPE NO., AND DATE CODE. IN MOST CASES, A BLACK & DECKER REPRESENTATIVE CAN RESOLVE YOUR PROBLEM OVER THE PHONE. IF YOU HAVE A SUGGESTION OR COMMENT, GIVE US A CALL. YOUR FEEDBACK IS VITAL TO BLACK & DECKER.

KEY INFORMATION YOU SHOULD KNOW:

- Charge battery for a minimum of 24 hours before using your trimmer, using the Black and Decker 12V charger 244374.
- The guard must be installed before trimming - if not, the motor will overheat, and void your warranty.
- To operate the trimmer, the lock off button must first be pulled back, so the trigger can be activated.
- When replacing the line, **use only 0.065" diameter ROUND line** - otherwise the unit may not function properly.

SAVE THIS MANUAL FOR FUTURE REFERENCE

Cat No. CST800
Copyright © 2003 Black & Decker

Form No. 598098-00

OCT. '03
Printed in China



WARNING: IMPORTANT SAFETY WARNINGS AND INSTRUCTIONS

WARNING: When using electric gardening appliances, basic safety precautions should always be followed to reduce risk of fire, electric shock, and personal injury, including the following.

WARNING: Some dust created by this product contains chemicals known to the State of California to cause cancer, birth defects or other reproductive harm. Some examples of these chemicals are:

- compounds in fertilizers
- compounds in insecticides, herbicides and pesticides
- arsenic and chromium from chemically treated lumber

To reduce your exposure to these chemicals, wear approved safety equipment such as dust masks that are specially designed to filter out microscopic particles.

WARNING: This product contains chemicals, including lead, known to the State of California to cause cancer, and birth defects or other reproductive harm. Wash hands after handling.

CAUTION: Wear appropriate personal hearing protection during use. Under some conditions and duration of use, noise from this product may contribute to hearing loss.

READ ALL INSTRUCTIONS

TO REDUCE RISK OF INJURY:

- Before any use, be sure everyone using this tool reads and understands all safety instructions and other information contained in this manual.
- Save these instructions and review frequently prior to use and in instructing others.



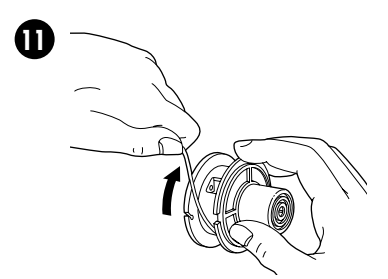
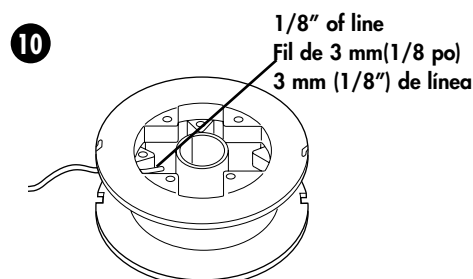
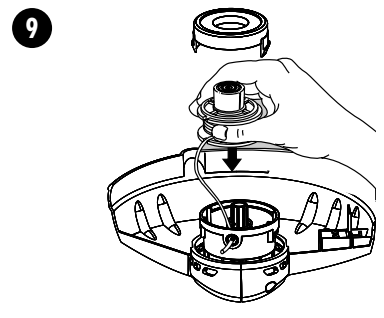
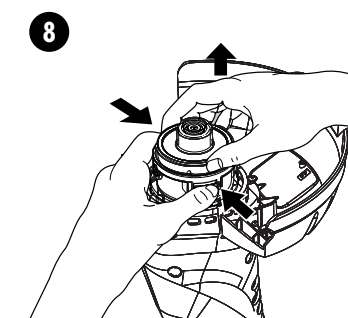
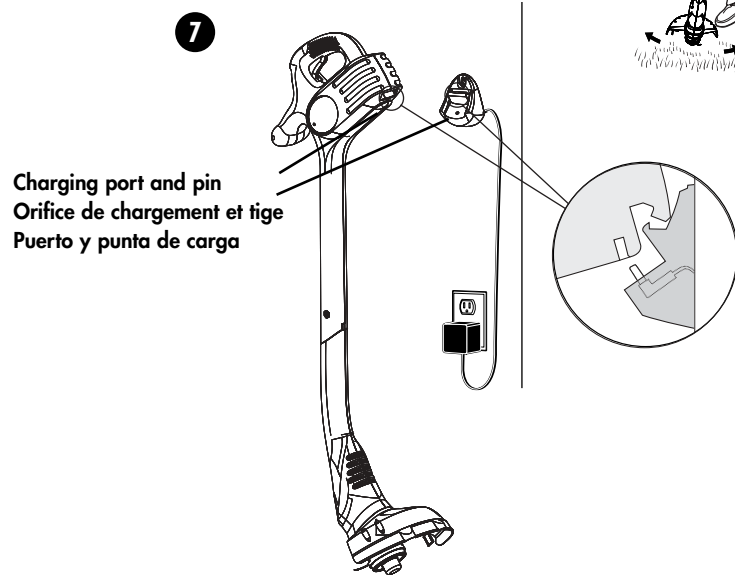
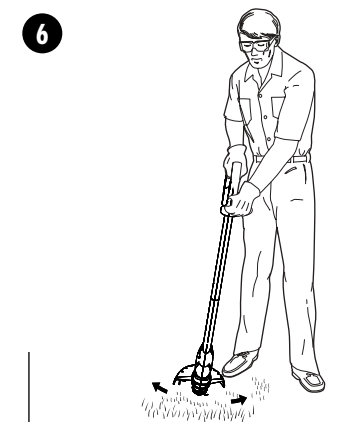
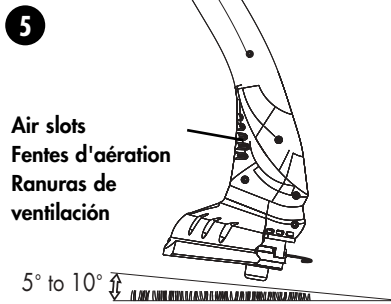
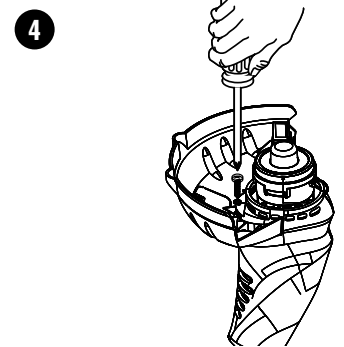
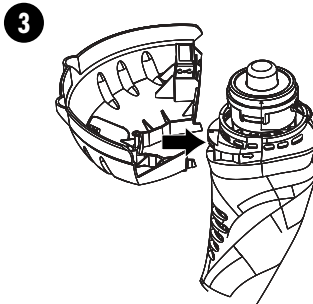
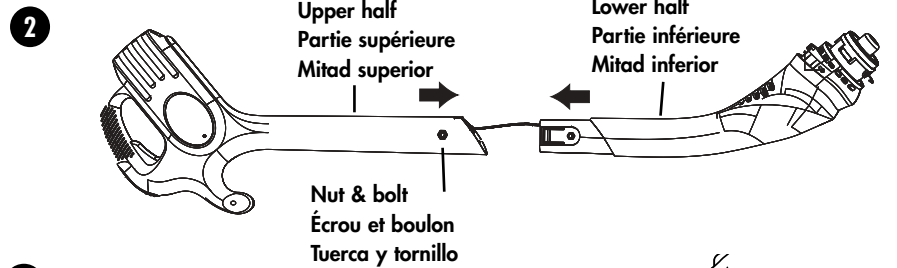
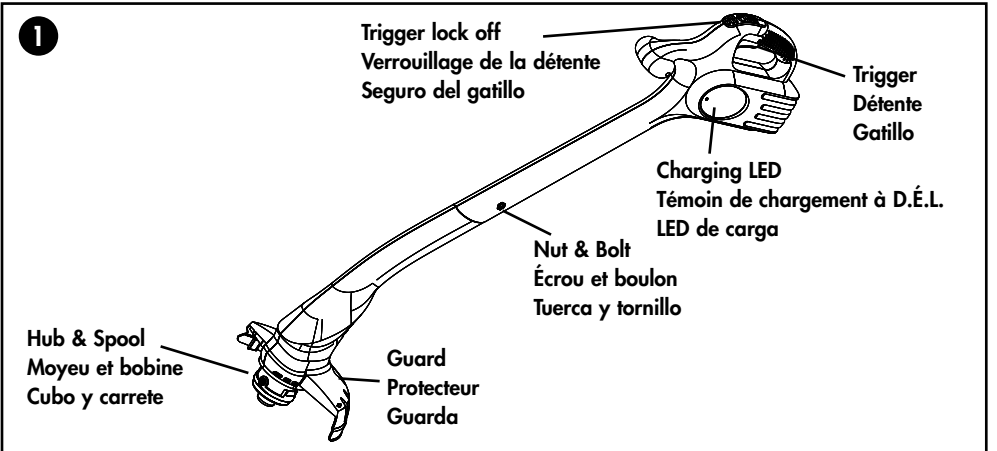
GENERAL SAFETY WARNINGS AND INSTRUCTIONS FOR ALL TOOLS

- **ALWAYS WEAR EYE PROTECTION** - Wear safety glasses or goggles at all times when this appliance is in use. Safety glasses are available at extra cost at your local Black & Decker Service Center or authorized service facility. Always use face or dust mask if operation is dusty.
- **GUARD** - Do not use this appliance without guard properly attached.
- **DRESS PROPERLY** - Do not wear loose clothing or jewelry. They can be caught in moving parts. Rubber gloves and substantial rubber soled footwear are recommended when working outdoors. Don't operate the appliance when barefoot or wearing open sandals. Wear long pants to protect your legs. Wear protective hair covering to contain long hair.
- **NYLON LINE** - Keep face, hands and feet clear of rotating cutting line at all times.
- **THE ROTATING LINE PERFORMS A CUTTING FUNCTION** - Use care when trimming around screens, fences and desirable plantings.
- **KEEP CHILDREN AWAY** - All visitors should be kept at safe distance from work area.
- **IMPORTANT WARNING** - When being used stones, pieces of metal and other objects can be thrown out at high speed by the line. The tool and guard are designed to reduce the danger. However, the following special precautions should be taken:
 - **WARNING:** Make sure that other persons and pets are at least 100 ft. (30.5m) away.
 - **WARNING:** To reduce the risk of rebound (ricochet) injury, work going away from any nearby solid object such as a wall, steps, large stone, tree, etc. Use great care when working close to solid objects, and, where necessary, do trimming by hand.
- **AVOID ACCIDENTALLY STARTING** - Don't carry appliance with finger on trigger.
- **DO NOT FORCE THE APPLIANCE** - It will do the job better and with less likelihood of a risk of injury at the rate for which it was designed.
- **USE THE RIGHT APPLIANCE** - Do not use this appliance for any job except that for which it is intended.
- **DON'T OVERREACH** - Keep proper footing and balance at all times.
- **DAMAGE TO APPLIANCE** - If you strike or become entangled with a foreign object, stop tool immediately, check for damage and have any damage repaired before further operation is attempted. Do not operate with a broken hub or spool.
- **AVOID DANGEROUS ENVIRONMENTAL CONDITIONS** - Do not use electric appliances in damp or wet locations. Don't use the appliance in the rain.
- **DO NOT OPERATE** trimmer/edgers in gaseous or explosive atmospheres. Motors in these appliances normally spark, and the sparks might ignite fumes.

- **STORE IDLE APPLIANCES INDOORS** - When not in use, appliances should be stored indoors in a dry locked-up place out of reach of children.
- **STAY ALERT** - Watch what you are doing. Use common sense. Do not operate appliance when you are tired.
- **MAINTAIN APPLIANCES WITH CARE** - Keep cutting edge sharp and clean for best performance and to reduce the risk of injury. Follow instructions for lubricating and changing accessories. Inspect appliance cord periodically, and if damaged, have it repaired by an authorized service facility. Inspect extension cords periodically and replace if damaged. Keep handles dry, clean, and free from oil and grease.
- **CHECK DAMAGED PARTS** - Check for alignment of moving parts, binding of moving parts, breakage of parts, mounting, and any other condition that may affect its operation. Before further use of the appliance, a guard or other part that is damaged should be repaired or replaced by an authorized service center unless otherwise indicated elsewhere in this manual.
- **FOR HOUSEHOLD** use only.

- **KEEP GUARDS IN PLACE AND IN WORKING ORDER.**
- **KEEP HANDS AND FEET AWAY FROM CUTTING AREA.**
- **DO NOT CHARGE APPLIANCE IN RAIN OR IN WET LOCATIONS.**

SAVE THESE INSTRUCTIONS





ADDITIONAL IMPORTANT SAFETY INSTRUCTIONS

- ⚠ **WARNING:** When using electric tools, basic safety precautions should always be followed to reduce risk of fire, electric shock, and personal injury, including the following:
 - Do not incinerate the battery even if it is severely damaged or is completely worn out. The battery can explode in a fire. Check with local codes for possible special disposal instructions.
 - If any leakage of liquid from the battery cells occurs, discontinue use immediately and return the battery to your local Black & Decker Service Center or authorized service facility.
 - Never attempt to open the battery for any reason. If the plastic housing of the battery breaks or cracks, immediately discontinue use and do not recharge.
 - Do not charge appliance in rain or in wet locations.
 - Use only the following type and size battery: Black & Decker 244373 - 12V.
 - Use only Black and Decker 12V charger 244374.
 - Exercise care in handling batteries in order not to short the battery with conducting materials such as rings, bracelets and keys. The battery or conductor may overheat and cause burns.
 - Do not open or mutilate the battery. Released electrolyte is corrosive and may cause damage to the eyes or skin. It may be toxic if swallowed.
 - If the battery case cracks due to a fall or other impact and the electrolyte gel leaks out, wipe it up with a cloth, neutralize the acid with any alkaline substance such as ammonia solution of baking soda. If the electrolyte gets on your skin, immediately flush with water and consult a doctor.
 - Do not use battery for anything other than with this product or other designated Black & Decker product.

ASSEMBLY INSTRUCTIONS

- ⚠ **WARNING:** The guard must always be on the tool to protect the user.

UNIT ASSEMBLY

Layout the unit as shown in figure 2. Remove the nut and bolt from the upper section (left portion of Figure 2). Slide the bottom portion into the upper portion as indicated. The two halves should snap together. Re-insert the nut and bolt to the upper section, and tighten bolt. The unit should now be rigidly secured.

GUARD ASSEMBLY

Remove the screw from the guard and insert the guard into the slot (marked by arrows) in the trimmer head as shown in Figure 3. Ensure the guard is fully inserted. Re-insert the screw through the trimmer head and into the guard and tighten as shown in figure 4.

NEVER OPERATE THE TOOL WITHOUT THE GUARD PROPERLY IN PLACE. Use of the unit with out having installed the guard will cause the motor to overheat, and void the warranty.

BATTERY

THE LEAD ACID BATTERY FOR YOUR TRIMMER IS ONLY PARTIALLY CHARGED AT THE FACTORY. BEFORE USING YOUR TRIMMER, THE BATTERY MUST BE CHARGED FOR A MINIMUM OF 24 HOURS.

- If the battery case cracks due to a fall or other impact and the electrolyte gel leaks out, wipe it up with a cloth, neutralize the acid with any alkaline substance such as ammonia solution or baking soda. If the electrolyte gets on your skin, immediately flush with water and consult a doctor.
- Your trimmer is equipped with a charger bracket that may be mounted firmly to a wall in your garage, shed or similar building. (Hardware for hanging the bracket is included in the plastic bag packed with the trimmer.) Charging your battery in this bracket is very convenient because it hangs the tool up, out of the way and ensures a good, solid contact between the charging terminals.

MOUNTING THE CHARGER BRACKET

- If you intend to mount, the charger bracket on a wall, follow the instructions listed below.
- Remove the two screws and plastic anchors from the plastic bag.
- Use the charger bracket to mark the locations of the holes required. Be sure to mount the bracket high enough so that the trimmer can hang freely from it; about 4 feet (1.2m) from the floor.
- Drill a .250" (6 mm) diameter hole at each marked location.
- Insert the plastic anchors into the holes and insert one of the screws in each one. Tighten the screws until the heads are above the anchors just enough so that the charger bracket will fit between the anchor and the screw head.
- Place the charger bracket on the wall (narrow end up) and make sure that the power cord is positioned in the side slot. Press the charger bracket over the screw heads and slide it down until it sits firmly on the screws.
- Firmly tighten both screws.

LED INDICATOR LIGHT

The unit is equipped with a red LED charging indicator light, located on the upper left side of the unit (Figure 1). The indicator light will come on when the unit is properly connected to the charging base and the power plug is inserted into the electrical outlet. The light will remain on, so long as the unit is properly connected to the powered charging base. It is recommended to store the unit on the charger during the growing season, with the charger plugged in, to have the battery charged for the next use.

TO CHARGE YOUR BATTERY, FOLLOW THE STEPS BELOW

- Install the trimmer onto the charger bracket by positioning the handle cavity, shown in Figure 7 over the hook of the charger bracket.
- Rotate the trimmer down, keeping the hook engaged with the handle cavity, and position the charge port over the bracket's charge pin (figure 7).
- Plug the charger into any standard 120 volt, 60Hz outlet. Charging will be automatically controlled until you remove the trimmer from the bracket.
- It is recommended that the trimmer be left on charge, during the growing season. For winter or other extended periods of storage, it is recommended that the unit be fully charged prior to storage.

OPERATING INSTRUCTIONS

- ⚠ **CAUTION: ALWAYS WEAR EYE PROTECTION.**
- ⚠ **CAUTION:** Inspect area to be trimmed and remove any wire, cord, or string-like objects which could become entangled in the rotating line or spool. Be particularly careful to avoid any wire which might be bent outwardly into the path of the tool, such as barbs at the base of a chain link fence.
 - To turn trimmer on, pull back on the lock out button, shown in Figure 1, at the same time, squeeze the trigger switch. To turn the tool off, release the trigger switch.
 - Angle unit as shown in Figure 5.
 - Slowly swing trimmer side-to-side as shown in Figure 6.

CUTTING LINE LINE FEEDING

Your trimmer only uses .065" (1.65 mm) diameter, ROUND nylon line to cut grass and weeds quickly and easily. During use, the tip of the nylon line will become frayed and worn. Gently bump the feed head of the trimmer on the ground to release a fresh length of line. Cutting line will wear faster and require more feeding if the cutting is done along sidewalks or other abrasive surfaces or heavier weeds are being cut.

CLEARING JAMS AND TANGLED LINES

From time to time, especially when cutting thick or stalky weeds, the line feeding hub may become clogged with sap or other material and the line will become jammed as a result. To clear the jam, follow the steps listed below.

- Turn the unit upside down.
- Press the release tabs on the line hub cover and remove by pulling it straight off (Figure 8).
- Lift the spool of nylon line out of the hub and clear any broken line or cutting debris from the spool area. (If you plan to replace the spool or rewind it, this is the place to do so, otherwise, move on.)
- Unwrap about one foot (30 cm) of line to ensure that it's undamaged. If it is okay, rewind it and insert the line end through the eyelet in the spool hub as shown in figure 9. Ensure the spring is in place under the spool. Pull the line through the hole to maintain tension while placing the spool down into the hub with the arrow up, as shown in figure 9.
- Press the spool down GENTLY on the spring and rotate it until you feel it drop into place. Take care to keep the line from becoming trapped under the spool.
- Snap the hub cap back on hold the tool in the trimming position, and turn the tool on. In a few seconds or less you'll hear the nylon line being cut to the proper length; if not bump the feed head gently on the ground to initiate a fresh length of line.

SPOOL OR LINE REPLACEMENT (Use 0.065" diameter ROUND line only.)

- Turn the unit upside down.
- Press the release tabs on the line hub cap, as shown in Figure 8 and remove the cap by pulling it straight off.

- Remove the spool from the tool and remove and discard all line on spool.
- Choose either **OPTION 1** or **OPTION 2** below for spool or line replacement.
- Insert the line end through the eyelet in the spool hub, as shown in figure 9. Ensure the spring is in place under the spool. Pull the line through the hole to tighten tension while placing the spool down into the hub, as shown in Figure 9.
- Press the spool down GENTLY on the spring and rotate it until you feel it drop into place. Take care to keep the line from becoming trapped under the spool.
- Snap the hub cap back on holdr the tool in the trimming position, and turn the tool on. In a few seconds or less you'll hear the nylon line being cut to the proper length; if not bump the feed head gently on the ground to release a fresh length of line.

OPTION 1: ACCESSORY REPLACEMENT SPOOL

Use replacement spool Model No. RS-136.

OPTION 2: REWINDING SPOOL USING BULK LINE

Bulk line for your trimmer is available at extra cost from your local dealer or Black & Decker Service Center. To install bulk line, follow the steps below. (Use 0.065" diameter round LINE ONLY).

- Insert one end of the bulk line into the hole in the spool as shown in Figure 10 about 1/8" (3.2mm).
- Snugly and evenly wind the bulk line onto the spool in the direction of the arrow on the spool, (figure 11), until the line builds up to the notches in the spool rim. Do not overfill spool. The spool holds about 20 feet (6 m) of line.

MAINTENANCE

CLEANING AND STORAGE

- Keep the air intake slots (Figure 5) clean to avoid overheating.
- Your trimmer line can dry out over time. To keep your line in top condition, store spare pre-wound spools or bulk line in a plastic, sealable bag with a tablespoon of water.
- Plastic parts may be cleaned by using a mild soap and a damp rag.
- DO NOT immerse tool in water or squirt it with a hose. DO NOT allow any liquid to get inside it.
- Do not store the tool on or adjacent to fertilizers, gasoline, or other chemicals.
- DO NOT clean with a pressure washer.
- The line cutter on the edge of the guard can dull over time. It is recommended you periodically touch-up the sharpness of the blade with a file.

ACCESSORIES

- Reload nylon line (either bulk or prewound replacement spool) as shown in this manual. Use Black & Decker Replacement spool, Model No. RS-136.
- USE ONLY 0.065" (1.65 mm) diameter ROUND monofilament trimmer line.** Do not use heavier gauge line, as it will overload the motor and cause overheating. The unit functions properly only with 0.065" diameter ROUND monofilament line. This line is available at your local dealer or Black & Decker Service Center.

⚠ **WARNING:** The use of any accessory not sold by Black & Decker for use with this tool could be hazardous.

IMPORTANT: To assure product SAFETY AND RELIABILITY, repairs should be performed by a Black & Decker or other qualified service organization, using only identical replacement parts.

SERVICE INFORMATION

Black & Decker offers a full network of company-owned and authorized service locations throughout North America. All Black & Decker Service Centers are staffed with trained personnel to provide customers with efficient and reliable power tool service. Whether you need technical advice, repair, or genuine factory replacement parts, contact the Black & Decker location nearest you.

To find your local service location, refer to the yellow page directory under "Tools—Electric" or call: 1-800-54-HOW-TO.

FULL TWO-YEAR HOME USE WARRANTY

Black & Decker (U.S.) Inc. warrants this product for two years against any defects in material or workmanship. The defective product will be replaced or repaired at no charge in either of two ways: The first, which will result in exchanges only, is to return the product to the retailer from whom it was purchased (provided that the store is a participating retailer). Returns should be made within the time period of the retailer's policy for exchanges (usually 30 to 90 days after the sale). Proof of purchase may be required. Please check with the retailer for their specific return policy regarding returns that are beyond the time set for exchanges.

The second option is to take or send the product (prepaid) to a Black & Decker owned or authorized service center for repair or replacement at our option. Proof of purchase may be required. Black & Decker owned and authorized service centers are listed under "Tools-Electric" in the yellow pages of the phone directory. This warranty does not apply to accessories. This warranty gives you specific legal rights and you may have other rights which vary from state to state. Should you have any questions, contact the manager of your nearest Black & Decker Service Center.

This tool is not intended for commercial use.

Imported by
Black & Decker (U.S.) Inc.,
701 E. Joppa Rd.
Towson, MD 21286 U.S.A.



See 'Tools-Electric'
- Yellow Pages -
for Service & Sales



Coupe-bordure sans fil de 12 volts

GUIDE D'UTILISATION

Modèle CST800

AVANT DE RETOURNER LE PRODUIT, PEU IMPORTE
LA RAISON, PRIÈRE DE COMPOSER LE

1 800 544-6986

RENSEIGNEMENTS IMPORTANTS

- Charger l'ensemble de piles pendant un minimum de 24 heures avant d'utiliser coupe-bordure, en se servant du chargeur de 12 volts, modèle 244374, de Black & Decker.
- Le protecteur doit être installé avant d'utiliser le coupe-bordure. Sinon, le moteur surchauffera et cela annulera la garantie.
- Pour actionner le coupe-bordure, il faut d'abord tirer le bouton de verrouillage en mode hors tension vers l'arrière afin de pouvoir activer la détente.
- Lors du remplacement du fil, **utiliser seulement du fil ROND de 1,65 mm (0,065 po) de diamètre.** Sinon, l'appareil risque de ne pas fonctionner convenablement.

CONSERVER LE PRÉSENT GUIDE À TITRE DE RÉFÉRENCE.



AVERTISSEMENT : IMPORTANTES MESURES DE SÉCURITÉ

⚠ **AVERTISSEMENT :** Lorsqu'on utilise un outil de jardinage, il faut toujours respecter certaines règles de sécurité fondamentales afin de minimiser les risques d'incendie, de secousses électriques ou de blessures, notamment les suivantes.

⚠ **AVERTISSEMENT :** Le produit génère de la poussière qui peut renfermer des produits chimiques. Selon l'état de la Californie, ces produits chimiques peuvent causer le cancer ainsi que des malformations congénitales, et ils présentent d'autres dangers au système reproductif humain. Voici des exemples de tels produits chimiques :

- les composés d'engrais;
- les composés d'insecticides, d'herbicides et de pesticides;
- l'arsenic et le chrome provenant de bois traité.

Afin de minimiser les risques, porter de l'équipement de sécurité approuvé comme des masques antipoussières spécialement conçu pour filtrer les particules microscopiques.

⚠ AVERTISSEMENT : Le produit renferme des produits chimiques, dont du plomb. Selon l’état de la Californie, ce produit chimique peut causer le cancer ainsi que des malformations congénitales, et il présente d’autres dangers au système reproductif humain. Se laver les mains après l’utilisation.

⚠ MISE EN GARDE : Porter un dispositif approprié de protection de l’ouïe lors de l’utilisation du produit. Dans certaines conditions et durées d’utilisation, le produit peut émettre un niveau de bruit provoquant la perte de l’ouïe.

LIRE TOUTES LES DIRECTIVES.

AFIN DE RÉDUIRE LES RISQUES DE BLESSURES :

- Avant toute utilisation, s’assurer que tous ceux qui se servent de l’outil lisent et comprennent toutes les mesures de sécurité et tout autre renseignement contenu dans le présent guide.
- Conserver ces mesures et les relire fréquemment avant d’utiliser l’outil et d’en expliquer le fonctionnement à d’autres personnes.

⚠ AVERTISSEMENT : IMPORTANTES MESURES DE SÉCURITÉ POUR TOUS LES OUTILS

- TOUJOURS PORTER DES LUNETTES DE SÉCURITÉ.** – Porter de lunettes de sécurité en tout temps lorsque l’outil est branché. Les lunettes de sécurité sont vendues séparément aux centres de service Black & Decker ou aux ateliers d’entretien autorisés. Toujours porter un masque respiratoire si le travail génère de la poussière.
- PROTECTEUR** – Ne pas utiliser l’outil lorsque le protecteur n’est pas en place.
- PORTER DES VÊTEMENTS APPROPRIÉS.** – Éviter de porter des vêtements amples et des bijoux qui peuvent être happés par les pièces en mouvement. Il est conseillé de porté des gants en caoutchouc et des chaussures robustes à semelle en caoutchouc lorsqu’on travaille à l’extérieur. Ne pas se servir de l’outil pieds nus ou lorsqu’on porte des sandales ouvertes. Porter des pantalons pour se protéger les jambes. Protéger la chevelure si elle longue.
- FIL DE NYLON** – Éloigner en tout temps le visage, les mains et les pieds du fil en mouvement.
- LE FIL ROTATIF SERT À COUPER.** – Manipuler l’outil avec soin autour de moustiquaires et de plantes à conserver.
- ÉLOIGNER LES ENFANTS.** – S’assurer que tous les observateurs se trouvent à une distance sûre de la zone de coupe.
- AVERTISSEMENT IMPORTANT** – Lorsque l’outil sert à tailler le rebord des pelouses, le fil peut projeter des pierres, des morceaux de métaux ou tout autre objet à grande vitesse. L’outil et le protecteur sont conçus pour minimiser ce risque. Il faut toutefois prendre les mesures de précaution suivantes.

- ⚠ AVERTISSEMENT** : S’assurer que les observateurs et les animaux domestiques se trouvent à plus de 30,5 m (100 pi) de la zone de coupe.
- ⚠ AVERTISSEMENT** : Afin de réduire les risques de blessures dues aux rebonds (ricochets), manipuler l’outil en s’éloignant de tout objet comme un mur, des marches, une grosse roche ou un arbre. Prendre garde lorsqu’on coupe près d’un tel objet et, le cas échéant, tailler la bordure à la main.
- ÉVITER LES DÉMARRAGES ACCIDENTELS.** – Ne pas transporter l’outil avec le doigt sur l’interrupteur.
- NE JAMAIS FORCER L’OUTIL.** – Utiliser l’outil à son rendement nominal afin d’obtenir un meilleur rendement à moindre risque de blessures.
- UTILISER L’OUTIL APPROPRIÉ.** – Utiliser l’outil seulement aux fins pour lesquelles il a été conçu.
- NE PAS DÉPASSER SA PORTÉE.** – Toujours demeurer dans une position stable et garder son équilibre.
- OUTIL ENDOMMAGÉ** – Lorsque l’outil frappe un corps étranger ou s’y coince, le mettre immédiatement hors tension, en vérifier l’état et le faire réparer au besoin avant de le réutiliser. Ne pas se servir de l’outil lorsque la bobine ou le moyeu sont brisés.
- ÉVITER LES CONDITIONS AMBIANTES DANGEREUSES.** – Ne pas se servir d’outils électriques dans des endroits humides ou mouillés. Ne pas se servir de l’outil sous la pluie.
- NE PAS UTILISER** des outils électriques portatifs dans des endroits renfermant des vapeurs inflammables ou explosives. Les étincelles que produit le moteur en marche pourraient enflammer ces produits.
- RANGER LES OUTILS INUTILISÉS À L’INTÉRIEUR** dans un endroit sec, fermé à clé, hors de la portée des enfants.
- DEMEURER VIGILANT.** Travailler avec vigilance et faire preuve de bon sens. Ne pas se servir de l’outil lorsqu’on est fatigué.
- PRENDRE SOIN DES OUTILS.** S’assurer que le rebord de coupe est propre et tranchant afin d’optimiser le rendement et de minimiser les risques de blessures. Respecter les consignes relatives à la lubrification et au remplacement des accessoires. Inspecter régulièrement le cordon de l’outil et le faire réparer au besoin à un atelier d’entretien autorisé. Inspecter régulièrement les cordons de rallonge et les remplacer lorsqu’ils sont endommagés. S’assurer que les poignées sont toujours propres, sèches et libres de toute tache d’huile ou de graisse.
- VÉRIFIER LES PIÈCES ENDOMMAGÉES.** Avant de continuer à utiliser l’outil, il faut vérifier si le protecteur ou toute autre pièce endommagée remplit bien la fonction pour laquelle il a été prévu. Vérifier l’alignement et les attaches des pièces mobiles, le degré d’usure des pièces et leur montage, ainsi que tout autre facteur susceptible de nuire au bon fonctionnement de l’outil. Faire réparer ou remplacer tout protecteur ou toute autre pièce endommagée dans un centre de service autorisé, sauf indication contraire dans le présent guide.
- UTILISATION DOMESTIQUE** seulement.

- S’ASSURER QUE LES PROTECTEURS SONT EN PLACE ET EN ÉTAT DE FONCTIONNEMENT.**
- ÉLOIGNER LES MAINS ET LES PIEDS DE LA ZONE DE COUPE.**
- NE PAS CHARGER L’OUTIL SOUS LA PLUIE NI DANS DES ENDROITS MOUILLÉS.**

CONSERVER CES MESURES.

⚠ IMPORTANTES MESURES DE SÉCURITÉ ADDITIONNELLES

- ⚠ AVERTISSEMENT** : Lorsqu’on utilise un outil électrique, il faut toujours respecter certaines règles de sécurité fondamentales afin de minimiser les risques d’incendie, de secousses électriques ou de blessures, notamment les suivantes.
- Ne pas incinérer l’ensemble de piles même si il est très abîmé ou complètement usé. La chaleur des flammes peut faire exploser l’ensemble de piles. Consulter les autorités locales afin de connaître les mesures de mises au rebut appropriées.
- En cas de fuite, ne plus se servir de l’ensemble de piles et le retourner au centre de service Black & Decker de la région.
- Ne jamais tenter d’ouvrir l’ensemble de piles, peu importe la raison. En cas de bris du boîtier en plastique de l’ensemble de piles, cesser immédiatement de s’en servir et ne pas le recharger.
- Ne pas charger le produit sous la pluie ou dans un endroit mouillé.
- Utiliser seulement un ensemble de piles de dimension et de type suivants : modèle 244373 de 12 volts de Black & Decker.
- Utiliser seulement le chargeur de 12 volts, modèle 244374, de Black & Decker.
- Manipuler les ensembles de piles avec soin afin de ne pas les court-circuiter avec des matériaux conducteurs comme des bagues, des bracelets et des clés. L’ensemble de piles ou le conducteur pourrait alors surchauffer et causer des brûlures.
- Ne pas ouvrir ni abîmer l’ensemble de piles. L’électrolyte qui s’en échapperait est corrosif et il présente des risques de blessures aux mains et aux yeux. En outre, ce produit peut être toxique lorsqu’on l’ingère.
- Lorsque le boîtier de l’ensemble de piles craque en raison d’une chute ou de tout autre choc et qu’il y a une fuite d’électrolyte, l’essuyer avec un chiffon, en neutraliser l’acide à l’aide d’une substance alcaline comme une solution à l’ammoniaque ou du bicarbonate de soude. En cas de contact de l’électrolyte avec la peau, il faut immédiatement la rincer à l’eau et consulter un médecin.
- Ne pas utiliser l’ensemble de piles avec un produit autre que celui-ci ou tout autre produit Black & Decker désigné.

DIRECTIVES RELATIVES AU MONTAGE

- ⚠ AVERTISSEMENT** : Le protecteur doit toujours être en place afin de protéger l’utilisateur.

MONTAGE DE L’APPAREIL

Disposer l’appareil de la façon illustrée à la figure 2. Retirer l’écrou et le boulon de la partie supérieure (section de gauche de la figure 2). Faire glisser la partie inférieure dans la partie supérieure comme illustré. Les deux parties devraient s’enclencher l’une dans l’autre. Remettre l’écrou et le boulon en place et serrer le boulon. L’appareil devrait être maintenant rigide.

MONTAGE DU PROTECTEUR

Retirer la vis du protecteur et insérer le protecteur dans la fente (indiquée par des flèches) de la tête du coupe-bordure (fig. 3). S’assurer que le protecteur est inséré à fond. Remettre la vis en place au travers de la tête et du protecteur et serrer (fig. 4).

NE JAMAIS UTILISER L’APPAREIL SANS LE PROTECTEUR EN PLACE. L’utilisation de l’appareil sans le protecteur en place entraînera une surchauffe du moteur et cela annulera la garantie.

ENSEMBLE DE PILES

L’ENSEMBLE DE PILES AU PLOMB-ACIDE DU COUPE-BORDURE EST PARTIELLEMENT CHARGÉE EN USINE. IL FAUT LE CHARGER PENDANT AU MOINS 24 HEURES AVANT D’UTILISER L’APPAREIL.

- Lorsque le boîtier de l’ensemble de piles craque en raison d’une chute ou de tout autre choc et qu’il y a une fuite d’électrolyte, l’essuyer avec un chiffon, en neutraliser l’acide à l’aide d’une substance alcaline comme une solution à l’ammoniaque ou du bicarbonate de soude. En cas de contact de l’électrolyte avec la peau, il faut immédiatement la rincer à l’eau et consulter un médecin.

- Le coupe-bordure vient avec un support de chargement qui peut être installé fermement contre le mur d’un garage ou d’une remise. (Les ferrures de montage se trouvent dans un sac en plastique.) Ce support est des plus pratiques pour charger l’appareil car il permet de ranger l’appareil à la verticale, hors de portée, et il offre un bon contact entre les bornes de chargement.

INSTALLATION DU SUPPORT DE CHARGEMENT

- Pour installer le support de chargement, faire ce qui suit.
- Retirer les deux vis et les ancrages en plastique du sac de ferrures en plastique.
- Se servir du support pour marquer l’emplacement des trous nécessaires. S’assurer d’installer le support suffisamment haut de sorte qu’on puisse y accrocher le coupe-bordure sans que le protecteur ne touche au sol; à environ 1,2 m (4 pi) du sol.
- Percer un trou d’un diamètre de 6 mm (0,25 po) à chaque emplacement marqué.
- Insérer les ancrages en plastique dans les trous et insérer une vis dans chaque ancrage. Serrer les vis jusqu’à ce que le support puisse s’insérer entre les têtes des vis et les ancrages.
- Placer le support de chargement au mur (extrémité étroite vers le haut) et s’assurer que le cordon d’alimentation se trouve dans la fente du bas. Placer le support sur les têtes des vis et le faire glisser vers le bas jusqu’à ce qu’il repose sur les vis.
- Bien serrer les deux vis.

TÉMOIN DE CHARGEMENT À D.É.L.

L’appareil comporte un témoin de chargement à D.É.L. rouge qui se trouve du côté supérieur gauche de celui-ci (fig. 1). Le témoin rouge s’allume lorsqu’on insère la fiche dans la prise et il indique le chargement. Le témoin reste allumé tant que l’appareil est bien installé dans le support de chargement. Il est conseillé de ranger l’appareil sur le support pendant la saison de coupe (avec le chargeur branché) pour que l’appareil soit prêt à servir.

FAIRE CE QUI SUIIT POUR CHARGER L’ENSEMBLE DE PILES.

- Installer le coupe-bordure dans le support de chargement en plaçant le creux de la poignée (fig. 7) sur le crochet du support de chargement.
- Faire tourner le coupe-bordure vers le bas en laissant le crochet inséré dans le creux de la poignée et placer l’orifice de chargement sur la tige du support de chargement (fig. 7).
- Brancher le cordon du chargeur dans une prise standard de 120 volts, 60 Hz. Le chargement se fait automatiquement jusqu’à ce qu’on retire le coupe-bordure du support.
- Il est conseillé de laisser l’appareil dans le support de chargement en tout temps lorsqu’il ne sert pas, pendant la saison de coupe. Par ailleurs, il est recommandé de charger à bloc l’appareil avant de le ranger pour l’hiver ou pour une longue période.

FONCTIONNEMENT

- ⚠ MISE EN GARDE : TOUJOURS PORTER DES LUNETTES DE SÉCURITÉ.**

- ⚠ MISE EN GARDE** : Inspecter le secteur et enlever tout objet (comme des cordes et des fils de fer) qui risque de se coincer dans le fil ou la bobine. Porter une attention particulière aux bouts de fil de fer (p. ex., la base d’une clôture à mailles en losange) qui pourraient être pliés et se trouver sur le passage de l’outil.
- Pour actionner le coupe-bordure, tirer sur le bouton de verrouillage (fig. 1) vers l’arrière, puis enfoncer l’interrupteur à détente. Pour arrêter l’outil, relâcher l’interrupteur à détente.
- Incliner l’appareil de la façon illustrée (fig. 5).
- Imprimer à l’outil un lent mouvement latéral de va-et-vient (fig. 6).

ALIMENTATION DU FIL

Le coupe-bordure utilise du fil de nylon ROND de 1,65 mm (0,065 po) de diamètre pour couper l’herbe et les mauvaises herbes rapidement et aisément. Pendant l’utilisation, le bout du fil s’use et s’effiloche. Frapper légèrement la tête de l’appareil contre le sol afin de l’alimenter en fil. Bien entendu, le fil s’use plus rapidement lorsqu’on taille le rebord des pelouses ou d’autres surfaces abrasives et lorsqu’on coupe des mauvaises herbes tenaces.

BLOCAGE ET FIL EMMÊLÉ

Il arrive parfois que le moyeu se bloque surtout lorsque l’herbe est haute ou imposante; cela bloque alors le fil. Pour dégager le fil et le moyeu, faire ce qui suit.

- Renverser l’appareil.**
- Enfoncer les pattes de dégagement du couvercle du moyeu (fig. 8) et retirer le couvercle en le tirant hors de l’outil.
- Retirer le moyeu et dégager tout morceau de fil cassé ou tout autre débris. (On peut également remplacer la bobine ou rembobiner le fil à ce moment.)
- Dérrouler environ 30 cm (1 pi) de fil afin de s’assurer qu’il n’est pas endommagé. Lorsque le fil est bon, l’enrouler et en insérer l’extrémité dans l’œillet du moyeu (fig. 9). S’assurer que le ressort est en place sous le moyeu. Sortir le fil du trou afin de maintenir la tension alors qu’on replace la bobine dans le moyeu avec la flèche vers le haut (fig. 9).
- Enfoncer la bobine sur le ressort et la faire tourner jusqu’à ce qu’elle s’enclenche en place. Éviter de coincer le fil sous la bobine.
- Réenclencher le couvercle du moyeu en place, et remettre l’outil sous tension. Au bout de quelques secondes, on entend la coupe automatique du fil à la longueur appropriée.

REMPLACEMENT DE LA BOBINE OU DU FIL ROND (UTILISER SEULEMENT DU FIL DE 1,65 mm (0,065 po) DE DIAMÈTRE.)

- Renverser l’appareil.
- Enfoncer les pattes de dégagement du couvercle du moyeu (fig. 8) et retirer le couvercle en le tirant hors de l’outil.
- Retirer la bobine de l’outil. Enlever et jeter tout fil qui reste dans la bobine.
- Choisir l’**OPTION 1** ou **2** plus bas pour remplacer la bobine ou le fil.
- Insérer l’extrémité dans l’œillet du moyeu (fig. 9). S’assurer que le ressort est en place sous le moyeu. Sortir le fil du trou afin de maintenir la tension alors qu’on replace la bobine dans le moyeu avec la flèche vers le haut (fig. 9).
- Enfoncer **DOUCEMENT** la bobine sur le ressort et la faire tourner jusqu’à ce qu’elle s’enclenche en place. Éviter de coincer le fil sous la bobine.
- Réenclencher le couvercle du moyeu en place, et remettre l’outil sous tension. Au bout de quelques secondes, on entend la coupe automatique du fil à la longueur appropriée.

OPTION 1 : BOBINE DE RECHANGE

Utiliser une bobine de rechange, modèle RS-136.

OPTION 2 : REBOBINAGE DE FIL EN VRAC

On peut se procurer en sus du fil en vrac chez les détaillants et au centre de service de la région. Faire ce qui suit pour installer le fil en vrac (utiliser seulement du FIL ROND de 1,65 mm (0,065 po) de diamètre).

- Insérer environ 3,2 mm (1/8 po) d’une extrémité du fil en vrac dans le trou de la bobine (fig. 10)
- Enrouler fermement et uniformément le fil dans la bobine dans le sens indiqué par la flèche (fig. 11) jusqu’à ce que la bobine soit presque pleine. Éviter de trop la remplir. La bobine renferme environ 6 m (20 pi) de fil.

ENTRETIEN

NETTOYAGE ET RANGEMENT

- S’assurer que les fentes d’aération (fig. 5) sont propres pour éviter une surchauffe.
- Le fil peut sécher à la longue. Pour éviter les contre-temps, conserver des bobines de rechange ou du fil en vrac dans des sacs en plastique scellables avec une cuillère à table d’eau.
- On peut nettoyer les pièces en plastique avec un chiffon humide et un savon doux.
- NE PAS immerger l’appareil ni arroser celui-ci. NE laisser AUCUN liquide s’infiltrer dans l’appareil.
- Ne pas ranger l’appareil sur des fertilisants, de l’essence ni tout autre produit chimique, ni le ranger près de tels produits.
- NE PAS nettoyer l’appareil avec un appareil sous pression.
- La lame pour le fil peut s’émousser à la longue. Il est conseillé de l’affûter régulièrement à l’aide d’une lime.

ACCESSOIRES

- Rembobiner le fil de nylon (en vrac ou dans une bobine chargée de rechange) de la façon indiquée dans le présent guide. Utiliser une bobine de rechange, modèle RS-136, de Black & Decker.
- UTILISER SEULEMENT DU FIL MONOFILAMENT ROND DE NYLON DE 1,65 mm (0,065 po) DE DIAMÈTRE.** On peut se procurer le fil chez les détaillants et au centre de service de la région.

- ⚠ AVERTISSEMENT** : L’utilisation de tout accessoire non recommandé pour l’outil peut être dangereuse.

IMPORTANT : Pour assurer la SÉCURITÉ D’EMPLOI et la FIABILITÉ de l’outil, n’en confier la réparation, l’entretien et les rajustements (y compris l’inspection et le remplacement des balais) qu’à un centre de service ou à un atelier d’entretien autorisé n’utilisant que des pièces de rechange identiques.

RENSEIGNEMENTS RELATIFS AU SERVICE

Black & Decker exploite un réseau complet de centres de service et d'ateliers d'entretien autorisés pour toute l'Amérique du Nord. Le personnel de tous les centres de service Black & Decker a reçu la formation voulue pour assurer l'entretien efficace et fiable des outils électriques.

Pour obtenir des renseignements d'ordre technique, des conseils relatifs aux réparations ou des pièces de rechange d'origine, communiquer avec le centre de service Black & Decker de la région. On peut trouver l'adresse du centre de service de la région dans l'annuaire des Pages Jaunes à la rubrique «Outils électriques» ou en composant le numéro suivant : **1 800 544-6986**.

GARANTIE COMPLÈTE DE DEUX ANS POUR UTILISATION DOMESTIQUE

Black & Decker garantit le produit pour une période de deux ans contre les vices de matière ou de fabrication. Le produit défectueux sera réparé ou remplacé sans frais conformément à l'une des conditions suivantes.

Pour échanger l'outil, il suffit de le retourner au détaillant (si le détaillant participe au programme d'échange rapide Black & Decker). Le retour doit être effectué dans les délais impartis par la politique de retour du détaillant (habituellement entre 30 et 90 jours suivant la date d'achat). Le détaillant peut exiger une preuve d'achat. Prière de vérifier la politique de retour du détaillant au-delà des délais impartis. On peut également retourner l'outil (port payé) à un centre de service Black & Decker ou à tout autre atelier d'entretien accrédité pour y être remplacé ou réparé, à notre gré. On peut exiger une preuve d'achat. Les adresses des centres de service Black & Decker se trouvent à la rubrique "Outils électriques" des Pages Jaunes. La présente garantie ne vaut pas pour les accessoires. Les modalités de la présente garantie donnent des droits légaux spécifiques. L'utilisateur peut également se prévaloir d'autres droits selon l'état ou la province qu'il habite. Pour obtenir de plus amples renseignements, communiquer avec le directeur du centre de service Black & Decker de la région.

Le produit n'est pas conçu pour un usage commercial.

Importé par
Black & Decker Canada Inc.
100 Central Ave.
Brockville (Ontario) K6V 5W6

Voir la rubrique "Outils électriques"
des Pages Jaunes
pour le service et les ventes.



Desbrozadora inalámbrica de 12 volts

MANUAL DE INSTRUCCIONES

CST800

ANTES DE DEVOLVER ESTE PRODUCTO POR CUALQUIER MOTIVO POR FAVOR LLAME

(55)5326-7100

INFORMACIÓN CLAVE QUE DEBE SABER:

- Cargue la batería por un periodo mínimo de 24 horas antes de usar su desbrozadora, con el cargador de 12 V Black & Decker 244374.
- La guarda debe estar instalada antes de recortar - si no, el motor se sobrecalentará e invalidará su garantía.
- Para operar la desbrozadora, debe tirar del botón del seguro de apagado primero, para poder accionar el gatillo.
- Para reemplazar la línea, **utilice únicamente línea redonda de 0,065" (1,65 mm) de diámetro** - de otra manera, la unidad puede no funcionar correctamente.

CONSERVE ESTE MANUAL PARA REFERENCIAS FUTURAS

ADVERTENCIA: ADVERTENCIAS E INSTRUCCIONES IMPORTANTES DE SEGURIDAD

- ⚠ **ADVERTENCIA:** Siempre que utilice aparatos eléctricos de jardinería debe seguir ciertas precauciones básicas de seguridad, a fin de reducir los riesgos de incendio, choque eléctrico y lesiones personales, entre las que se encuentran las siguientes.
- ⚠ **ADVERTENCIA:** Parte del polvo originado por este producto contiene químicos que en el Estado de California se consideran como causantes de cáncer, defectos congénitos u otros daños reproductivos. Algunos ejemplos de estos químicos son:
 - compuestos en fertilizantes
 - compuestos en insecticidas, herbicidas y pesticidas
 - arsénico y cromo de madera tratada químicamente

Para reducir su exposición a estos químicos, utilice equipo de seguridad aprobado como máscaras contra polvo diseñadas específicamente para filtrar partículas microscópicas.

- ⚠ **ADVERTENCIA:** Este producto contiene químicos, incluyendo plomo, que en el Estado de California se consideran como causantes de cáncer y defectos congénitos u otros daños reproductivos. Lave sus manos después de manejarlo.
- ⚠ **PRECAUCIÓN:** Emplee la protección personal y auditiva adecuada durante el uso de este producto. Bajo ciertas condiciones y duración de uso, el ruido producido por este producto puede contribuir a la pérdida auditiva.

LEA TODAS LAS INSTRUCCIONES

PARA REDUCIR EL RIESGO DE LESIONES:

- Antes de cualquier uso, asegúrese que cualquier persona que vaya a utilizar esta herramienta lea y comprenda todas las instrucciones de seguridad y la información contenida en este manual.
- Conserve estas instrucciones y repáselas con frecuencia antes de usar la herramienta e instruir a otras personas.

ADVERTENCIAS E INSTRUCCIONES GENERALES DE SEGURIDAD PARA TODAS LAS HERRAMIENTAS

- **SIEMPRE UTILICE PROTECCIÓN PARA LOS OJOS** - Utilice anteojos o gafas de seguridad siempre que utilice este aparato. Los anteojos de seguridad los encuentra a su disposición con costo extra en el centro de servicio autorizado Black & Decker de su localidad. Utilice una mascarilla contra polvo si la operación que va a realizar lo produce.
- **GUARDA** - No utilice este aparato sin tener la guarda instalada.
- **VÍSTASE APROPIADAMENTE** - No utilice prendas de vestir flojas ni artículos de joyería. Pueden quedar atrapados en las piezas móviles. Se recomienda el uso de guantes de goma y calzado de seguridad con suela de goma para el trabajo a la intemperie. No utilice el aparato con los pies descalzos o cuando calce sandalias abiertas. Vista pantalones largos para proteger sus piernas. Cúbrase el cabello si lo tiene largo.
- **LÍNEA DE NYLON** - Conserve siempre cara, manos y pies alejados de la línea giratoria.
- **LA LÍNEA GIRATORIA DESEMPEÑA UNA FUNCIÓN DE CORTE** - Tenga cuidado al podar alrededor de mallas y plantas que desee conservar.
- **CONSERVE APARTADOS A LOS NIÑOS** - Todos los visitantes deben permanecer a distancia segura del área de trabajo.
- **ADVERTENCIA IMPORTANTE** - Cuando se utilice, piedras, piezas de metal y otros objetos pueden salir despedidos de la línea de corte a gran velocidad. La herramienta y la guarda están diseñadas para reducir el peligro. Sin embargo, deben tomarse las siguientes precauciones:
 - ⚠ **ADVERTENCIA:** Asegúrese que otras personas y mascotas estén por lo menos 30 m (100 pies) de distancia.
 - ⚠ **ADVERTENCIA:** Para reducir el riesgo de lesiones por proyectiles, trabaje alejándose de objetos sólidos cercanos como muros, escalones, rocas grandes, árboles, etc. Tenga mucho cuidado al trabajar cerca de objetos sólidos y, cuando sea necesario, recorte u orille a mano.
- **EVITE EL ENCENDIDO ACCIDENTAL** - No acarree la unidad con el dedo en el gatillo.

- **NO FUERCE LA HERRAMIENTA** - Esta hará mejor su trabajo y de manera más segura a la velocidad para la que fue diseñada.
- **UTILICE LA HERRAMIENTA CORRECTA** - No utilice esta herramienta para ningún otro trabajo excepto para el que está destinada.
- **NO SE SOBREEXTIENDA** - Conserve siempre bien apoyados los pies para no perder el equilibrio.
- **DAÑOS A LA HERRAMIENTA** - Si golpea la herramienta o se enreda con un objeto extraño, apáguela de inmediato, revise en busca de daños y en caso de haberlos, hágalos reparar antes de seguir operando. No opere la herramienta con el cubo o el carrete roto.
- **EVITE CONDICIONES AMBIENTALES PELIGROSAS** - No utilice aparatos eléctricos en lugares húmedos o mojados. No se use bajo la lluvia.
- **NO OPERE** desbrozadoras/orilladoras en atmósferas gaseosas o explosivas. Los motores de estos aparatos emiten chispas en condiciones normales, que pueden originar la ignición de los vapores.
- **GUARDE SUS APARATOS BAJO TECHO** - Cuando no se usen, los aparatos deben guardarse bajo techo, con llave, fuera del alcance de los niños.
- **ESTÉ ALERTA** - Concéntrese en lo que hace. Utilice el sentido común. No opere la herramienta cuando esté cansado.
- **CUIDE SUS APARATOS** - Conserve los bordes cortantes limpios y afilados para obtener mejor rendimiento y disminuir el riesgo de lesiones. Siga las instrucciones de lubricación y cambio de accesorios. Revise el cable del aparato periódicamente y, en caso de estar dañado, hágalo reparar por una estación de servicio autorizado. Revise las extensiones periódicamente y reemplácelas si están dañadas. Conserve los mangos limpios, secos y libres de aceite y grasa.
- **REVISE LAS PARTES DAÑADAS** - Revise la alineación de las piezas móviles, sus montajes, ruptura de piezas y cualesquiera otras condiciones que pudiesen afectar la operación. Una guarda u otra parte dañada debe repararse de manera apropiada o debe reemplazarse en un centro de servicio autorizado, a menos que se indique lo contrario en este manual.
- Únicamente para **USO DOMÉSTICO**.
- **CONSERVE LAS GUARDAS EN SU LUGAR Y EN FUNCIONAMIENTO.**
- **CONSERVE MANOS Y PIES ALEJADAS DEL ÁREA DE CORTE.**
- **NO CARGUE EL APARATO BAJO LA LLUVIA NI EN LUGARES MOJADOS.**

CONSERVE ESTAS INSTRUCCIONES



INSTRUCCIONES IMPORTANTES DE SEGURIDAD ADICIONALES

- ⚠ **ADVERTENCIA:** Siempre que emplee herramientas eléctricas de jardinería, debe seguir ciertas precauciones básicas de seguridad con el fin de reducir el riesgo de incendio, choque eléctrico y lesiones personales, entre las que se encuentran las siguientes:
 - No incinere la batería aún cuando se encuentre severamente dañada o cuando esté completamente desgastada. La batería puede estallar en el fuego. Consulte los ordenamientos locales para saber si hay disposiciones especiales en cuanto al desecho de la batería.
 - Si ocurre alguna fuga de las celdas de la batería, descártela inmediatamente y llévela a l centro de servicio Black & Decker u otra estación de servicio autorizado de su localidad.
 - Nunca intente abrir la batería por ningún motivo. Si la carcaza de plástico de la batería se cuartea o se estrella, descártela inmediatamente y no la recargue.
 - No cargue el aparato bajo la lluvia ni lugares mojados.
 - Utilice únicamente el siguiente tipo y tamaño de batería: Black & Decker 244373-12V.
 - Utilice únicamente el cargador de 12 V Black & Decker 244374.
 - Tenga cuidado al manejar las baterías para no causar un corto entre la batería y materiales conductores como anillos, pulseras y llaves. La batería o el conductor pueden calentarse y causar quemaduras.
 - No abra ni mutile la batería. El electrolito liberado es corrosivo y puede causarle daños a sus ojos o a su piel. Puede ser tóxico en caso de ingestión.
 - Si la carcaza de la batería se estrella debido a una caída o a otro impacto y el gel del electrolito se fuga, límpielo con un trapo, neutralice el ácido con una sustancia alcalina como solución de amonía o bicarbonato de sodio. Si el electrolito hace contacto con su piel, enjuague inmediatamente con agua y consulte a un médico.
 - No utilice la batería para ninguna otra cosa que no sea alimentar este producto u otro producto Black & Decker designado para ella.

INSTRUCCIONES DE ENSAMBLAJE

- ⚠ **ADVERTENCIA:** La guarda siempre debe permanecer en su sitio a fin de proteger al usuario.

ENSAMBLAJE DE LA UNIDAD

Disponga la unidad como se muestra en la figura 2. Retire la tuerca y el tornillo de la sección superior (parte izquierda de la Fig. 2). Deslice la parte inferior en la parte superior como se indica. Las dos mitades deben ensamblar juntas. Inserte de nuevo el tornillo y la turca en la parte superior y apriete. La unidad quedará ahora firme y segura.

ENSAMBLAJE DE LA GUARDA

Saque el tornillo de la guarda e inserte ésta en la ranura (marcada con flechas) en la cabeza de la desbrozadora como se muestra en la figura 3. Cerciórese de haber insertado completamente la guarda. Inserte de nuevo el tornillo a través la cabeza de la desbrozadora y dentro de la guarda y apriete como se observa en la figura 4.

NUNCA OPERE LA HERRAMIENTA SIN TENER LA GUARDA COLOCADA APROPIADAMENTE EN SU SITIO. El uso de la unidad sin tener instalada la guarda ocasionará que el motor se sobrecaliente, y anulará la garantía.

BATERÍA

LA BATERÍA DE ÁCIDO DE PLOMO DE SU DESBROZADORA SOLO SE CARGA PARCIALMENTE EN LA FÁBRICA. ANTES DE USAR SU DESBROZADORA, LA BATERÍA DEBE CARGARSE POR UN PERIODO MÍNIMO DE 24 HORAS.

- Si la carcaza de la batería se cuartea debido a una caída u otro impacto y el gel del electrolito se fuga, límpielo con un trapo, neutralice el ácido con una sustancia alcalina como solución de amonía o polvo de hornear. Si el electrolito llega a su piel, enjuague de inmediato y consulte a un médico.
- Su desbrozadora está equipada con un soporte de cargador que puede montarse firmemente a un muro en su cochera, cobertizo u otra construcción similar. (Los herrajes para colgar el soporte están incluidos en la bolsa de plástico empacada con su desbrozadora.) Cargar su batería en este soporte es muy conveniente, ya que permite colgar la herramienta, fuera del camino, y asegura el contacto sólido entre las terminales de carga.

MONTAJE DEL SOPORTE DE CARGA

1. Si usted piensa colocar su base de carga en un muro, siga las instrucciones enumeradas a continuación.
2. Saque los dos tornillos y los taquetes de plástico de la bolsa de plástico.
3. Use el soporte del cargador para marcar el sitio de los orificios. Asegúrese de colocar el soporte a la altura suficiente para que la desbrozadora cuelgue libremente de éste, aproximadamente a 1,2 m (4 ft) del piso.
4. Perfore un orificio de 1/4" (6 mm) en cada lugar marcado.
5. Inserte los taquetes de plástico en los orificios e inserte un tornillo en cada uno. Apriete los tornillos hasta que las cabezas estén sobre los taquetes lo justo para que el soporte quepa entre el taquete y la cabeza del tornillo.
6. Coloque el soporte del cargador en la pared (con el extremo angosto hacia arriba) y asegúrese de que el cable pase por la ranura lateral. Oprima el soporte de carga sobre las cabezas de los tornillos y deslicela hasta que asiente sobre los tornillos.
7. Apriete con firmeza ambos tornillos.

LUZ INDICADORA LED

La unidad está equipada con un LED indicador de carga, localizado en el lado superior izquierdo de la unidad (Figura 1). La luz indicadora se encenderá cuando la unidad esté conectada apropiadamente a la base de carga y la clavija esté insertada en la toma de corriente. La luz permanecerá encendida mientras la unidad permanezca conectada a la base de carga. Se recomienda guardar la unidad en el cargador durante la temporada de crecimiento, con el cargador conectado, para tener la batería cargada para el siguiente uso.

PARA CARGAR LA BATERÍA, SIGA LOS PASOS A CONTINUACIÓN

1. Instale la desbrozadora en el soporte de carga colocando la cavidad del mango, ilustrada en la figura 7 sobre el gancho del soporte de carga.
2. Gire la desbrozadora hacia abajo, conservando el gancho enganchado con la cavidad del mango, y coloque el puerto de carga sobre la punta de carga del soporte (figura 7).
3. Conecte el cargador a cualquier toma de corriente estándar de 120 volts a 60 Hz. La carga se controlará automáticamente hasta que usted retire la desbrozadora del soporte.
4. Se recomienda dejar en carga la desbrozadora durante la temporada de crecimiento. Para el invierno u otros periodos prolongados en los que permanecerá guardada, se recomienda cargar completamente antes de guardarla.

INSTRUCCIONES DE OPERACIÓN

- ⚠️ **PRECAUCIÓN: SIEMPRE UTILICE PROTECCION PARA LOS OJOS.**
- ⚠️ **PRECAUCIÓN:** Inspeccione el área que vaya a recortar y retire cualquier alambre, cordón y otros objetos similares que pudiesen enredarse con la línea o con el carrete. Sea particularmente cuidadoso de evitar cualquier alambre que pudiera encontrarse en el camino de la herramienta, como las púas que se encuentran en la base de una cerca de eslabones de cadena.
- Para encender la desbrozadora, tire del botón del seguro, ilustrado en la figura 1, y al mismo tiempo, oprima el interruptor de gatillo. Para apagar la herramienta, libere el gatillo interruptor.
- Incline la unidad como se muestra en la Figura 5.
- Balancee lentamente la desbrozadora de lado a lado, como se observa en la figura 6.

LÍNEA DE CORTE

ALIMENTACION DE LA LÍNEA

Su desbrozadora utiliza únicamente **línea REDONDA de nylon de 0,065" (1,65 mm) de diámetro** para cortar el pasto y hierbas rápida y fácilmente. Con el tiempo, la punta de la línea de nylon se desgastará. Dé un ligero golpe a la cabeza de la desbrozadora en el suelo para refrescar con un tramo nuevo de línea. La línea de corte se desgastará más rápidamente y requerirá de más alimentación el recorte se hace a lo largo de aceras y otras superficies abrasivas, o al cortar hierbas más pesadas.

LIMPIEZA DE ATASCADURAS Y LÍNEA ENREDADA

De tiempo en tiempo, especialmente al cortar hierbas espesas, el cubo de alimentación de línea puede bloquearse con savia y otros materiales, y como resultado la línea se atorará. Para limpiar la atascadura, siga los pasos mencionados a continuación.

- Coloque la unidad de cabeza.
- Oprima las lengüetas de liberación de la tapa del cubo, como se observa en la figura 8 y quite la tapa tirando de ella hacia fuera.
- Saque el carrete de línea de nylon del cubo y limpie cualquier fragmento de línea y desecho de corte del área del carrete. (Si planea reemplazar el carrete o rebobinarlo, ahora es el momento, si no, continúe.)
- Desenrolle aproximadamente 30 cm (1 ft) de línea para asegurarse que no esté dañada. Si está bien, embobínela de nuevo e inserte el extremo por el ojillo del cubo del carrete, como se muestra en la figura 9. Asegúrese de que el muelle esté en su lugar bajo el carrete. Tire de la línea a través del orificio para conservar la tensión mientras coloca el carrete dentro del cubo con la flecha hacia arriba, como se ilustra en la figura 9.
- Presione el carrete CON CUIDADO y gírelo hasta que sienta que cae en su sitio. Tenga cuidado de evitar queque la línea quede atrapada bajo el carrete.
- Coloque la tapa del cubo de nuevo, sujete la herramienta en posición de corte y enciéndala. En unos pocos segundos usted escuchará que la línea de nylon es cortada a la longitud apropiada, si no es así, golpee con delicadeza la cabeza de la desbrozadora en el suelo para refrescar con un tramo nuevo de línea.

CAMBIO DE LÍNEA O DE CARRETE (utilice únicamente línea redonda de nylon de 1,65 mm [0,065"] de diámetro)

- Coloque la unidad de cabeza.
- Oprima las lengüetas de liberación de la tapa del cubo, como se observa en la figura 8 y quite la tapa tirando de ella hacia fuera.
- Saque el carrete de línea de nylon del cubo y limpie cualquier fragmento de línea del carrete.
- Seleccione la **OPCIÓN 1** o la **OPCIÓN 2** a continuación para el reemplazo de la línea.
- Inserte el extremo por el ojillo del cubo del carrete, como se muestra en la figura 9. Asegúrese de que el muelle esté en su lugar bajo el carrete. Tire de la línea a través del orificio para conservar la tensión mientras coloca el carrete dentro del cubo con la flecha hacia arriba, como se ilustra en la figura 9.
- Presione el carrete CON CUIDADO y gírelo hasta que sienta que cae en su sitio. Tenga cuidado de evitar queque la línea quede atrapada bajo el carrete.
- Coloque la tapa del cubo de nuevo, sujete la herramienta en posición de corte y enciéndala. En unos pocos segundos usted escuchará que la línea de nylon es cortada a la longitud apropiada, si no es así, golpee con delicadeza la cabeza de la desbrozadora en el suelo para refrescar con un tramo nuevo de línea.

OPCIÓN 1: CARRETE DE REPUESTO

Utilice el carrete de repuesto Modelo No. RS-136.

OPCIÓN 2: EMBOBINADO DEL CARRETE CON LÍNEA A GRANEL

El distribuidor o centro de servicio Black & Decker de su localidad cuentan con línea a granel para su desbrozadora. Para instalar línea a granel, siga los pasos descritos a continuación.

(Utilice únicamente línea REDONDA de 1,65 mm [0,065"] de diámetro.)

- Inserte un extremo de la línea en el orificio del carrete aproximadamente 3,2 mm (1/8"), como se observa en la figura 10.
- Embobine la línea en el carrete de manera uniforme y con firmeza en la dirección que señala la flecha hasta que llegue a las muescas del borde del carrete. No ponga línea en exceso. El carrete tiene capacidad para 6 m (20 ft) de línea.

MANTENIMIENTO

LIMPIEZA Y GUARDADO

- Conserve limpias las ranuras de ventilación (Figura 5) para evitar sobrecalentamiento.
- La línea de su desbrozadora se puede reseca con el tiempo. Para conservar la línea en óptimas condiciones guarde carretes de repuesto preembobinados o línea a granel en una bolsa de plástico sellada con una cucharadita de agua.
- Las partes de plástico se pueden limpiar con un trapo húmedo y un jabón suave.
- NO sumerja la herramienta en agua ni la rocíe con una manguera, NI permita que ningún líquido se introduzca en ella.
- No guarde la herramienta cerca de fertilizantes o productos químicos.
- NO limpie con una manguera de agua a presión.
- La cuchilla para la línea que se encuentra en el borde de la guarda puede perder el filo con el tiempo. Se le recomienda retocar el filo de la cuchilla periódicamente con una lima.

ACCESORIOS

- Cargue la línea de nylon (a granel o pre embobinada en carrete) como se señala en este manual. Utilice el carrete de repuesto Black & Decker No. RS-136.
- Utilice únicamente **línea redonda de monofilamento de nylon de 1,65 mm (0,065") de diámetro**. Línea más gruesa puede sobrecargar el motor y causar sobrecalentamiento. Esta línea la puede encontrar con el distribuidor o centro de servicio Black & Decker de su localidad.

- ⚠️ **ADVERTENCIA:** El empleo de cualquier accesorio no recomendado por Black & Decker para usarse con esta herramienta puede ser peligroso.

IMPORTANTE: Para garantizar la **SEGURIDAD** y la **CONFIABILIDAD** del producto, las reparaciones, el mantenimiento y los ajustes deben ser realizados por centros de servicio autorizados u otras organizaciones de servicio calificadas, que siempre utilicen partes de repuesto idénticas.

INFORMACIÓN DE SERVICIO

Black & Decker ofrece una red completa de centros de servicio propiedad de la compañía y franquiciados a través de toda Norteamérica. Todos los centros de servicio Black & Decker cuentan con personal capacitado para proporcionar el servicio a herramientas más eficiente y confiable.

Siempre que necesite consejo técnico, reparaciones o partes de repuesto genuinas, comuníquese con el centro Black & Decker más cercano a usted.

Para encontrar su centro de servicio local, consulte la sección amarilla bajo "Herramientas eléctricas", o llame al: **(55) 5326-7100**

GARANTÍA COMPLETA PARA USO DOMÉSTICO POR DOS AÑOS

Black & Decker (U.S.) garantiza este producto por dos años completos contra cualquier falla originada por materiales o mano de obra defectuosos. El producto defectuoso será reemplazado o reparado sin cargo alguno en cualquiera de las siguientes dos maneras:

La primera, que resulta únicamente en cambios, es regresar el producto al vendedor al que se compró (en la suposición que es un distribuidor participante). Las devoluciones deberán hacerse dentro del tiempo estipulado por la política de cambios del distribuidor (usualmente de 30 a 90 días después de la venta). Se puede requerir prueba de compra. Por favor verifique con el vendedor las políticas específicas de devolución relacionadas a las devoluciones en tiempo posterior al estipulado para cambios.

La segunda opción es llevar o enviar el producto (con porte pagado) a los centros de servicio Black & Decker propios o autorizados, para que la reparamos o reemplacemos a nuestra opción. Se puede requerir prueba de compra. Los centros de servicio Black & Decker propios y autorizados están enlistados bajo "Herramientas eléctricas" en la sección amarilla del directorio telefónico.

Este producto no está diseñado para uso comercial.

ESPECIFICACIONES
CST800 12V 9500 RPM

PARA REPARACION Y SERVICIO DE SUS HERRAMIENTAS ELECTRICAS FAVOR DE DIRIGIRSE AL CENTRO DE SERVICIO MAS CERCANO

CULIACAN	Av. Nicolas Bravo #1063 Sur	(56 77) 12 42 10
GAUDALAJARA	Av. La Paz #1770	(33 38) 26 69 78
LEON	Polara #32	(47 77) 13 14 56
MEXICO	Sonora #134 Hipodromo Condesa	(55 55) 53 99 79
MERIDA	Calle 63 #459	(99 99) 23 54 90
MONTERREY	Av. Francisco I. Madero Pte. 1820-A	(81 83) 72 11 25
PUEBLA	17 Norte #2057	(22 22) 46 90 20
QUERETARO	Av. Madero 139 Pte.	(44 22) 14 60 60
SAN LOUIS POTOSI	Pedro Moreno #408 Fracc. la Victoria	(44 48) 14 25 67
TORREON	Blvd. Independencia, 96 pte.	(87 17) 16 52 65
VERACRUZ	Prolongación Diaz Miron #4280	(29 99) 21 70 18
VILLAHERMOSA	Zaragoza #105	(99 33) 12 53 17

PARA OTRAS LOCALIDADES LLAME AL: (55) 5326-7100

Para servicio y ventas consulte
"HERRAMIENTAS ELECTRICAS"
en la sección amarilla.



IMPORTADOR: BLACK & DECKER S.A. DE C.V.
BOSQUES DE CIDROS ACCESO RADIATAS NO. 42
BOSQUES DE LAS LOMAS, 05120 MEXICO, D.F.
(55) 5326-7100

Free Manuals Download Website

<http://myh66.com>

<http://usermanuals.us>

<http://www.somanuals.com>

<http://www.4manuals.cc>

<http://www.manual-lib.com>

<http://www.404manual.com>

<http://www.luxmanual.com>

<http://aubethermostatmanual.com>

Golf course search by state

<http://golfingnear.com>

Email search by domain

<http://emailbydomain.com>

Auto manuals search

<http://auto.somanuals.com>

TV manuals search

<http://tv.somanuals.com>