

## Commercial/Industrial Use Warranty

ELU warrants this product for one year from date of purchase. We will repair without charge, any defects due to faulty material or workmanship. Please return the complete unit, transportation prepaid, to any Black & Decker Service Center or Authorized Service Station listed under "Tools Electric" in the yellow pages. This warranty does not apply to accessories or damage caused where repairs have been made or attempted by others.

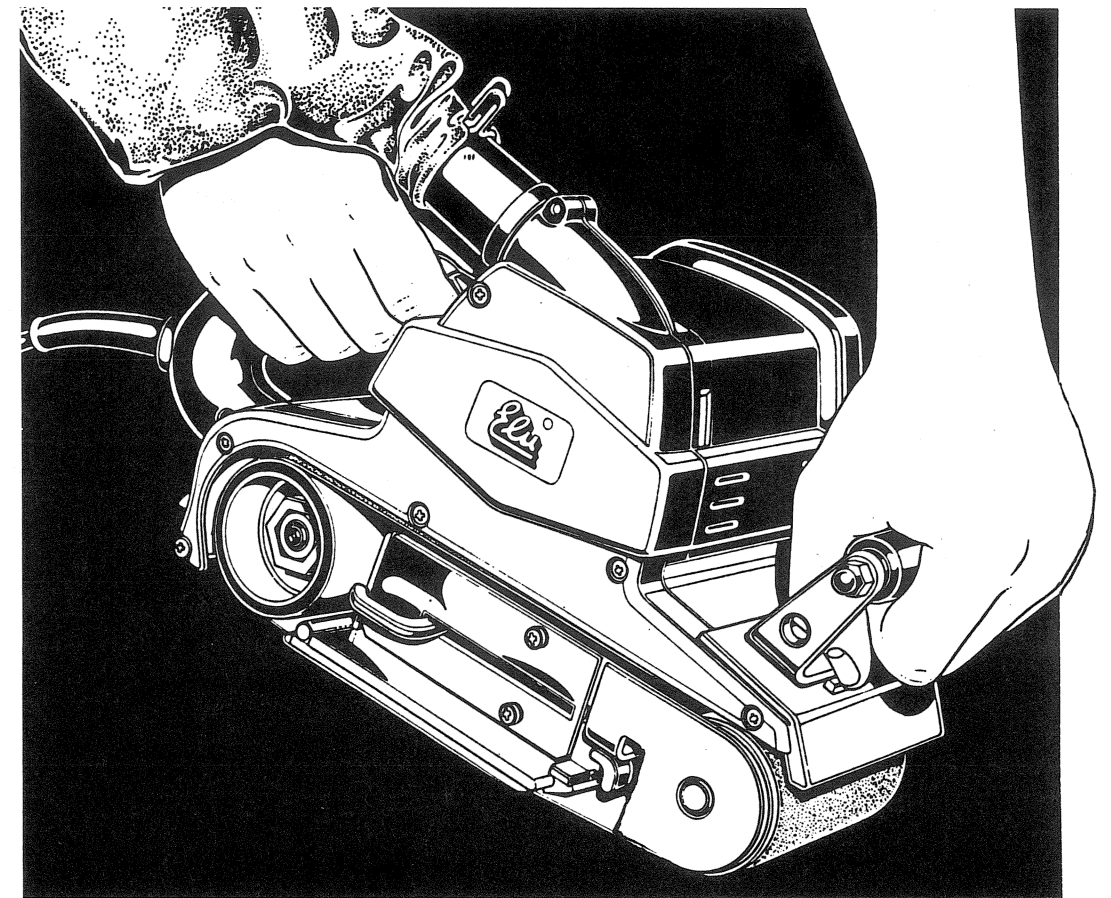
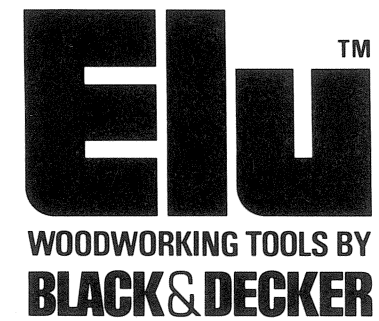
Like most Black & Decker products your tool is listed by Underwriters Laboratories to ensure that it meets stringent safety requirements.

This symbol on the nameplate means the product is listed by Underwriters Laboratories, Inc.



BLACK & DECKER (U.S.) INC., U.S. Power Tools Group, 10 North Park Drive, P.O. 798, Hunt Valley, MD 21030-0798 U.S.A.

248 315 - 02

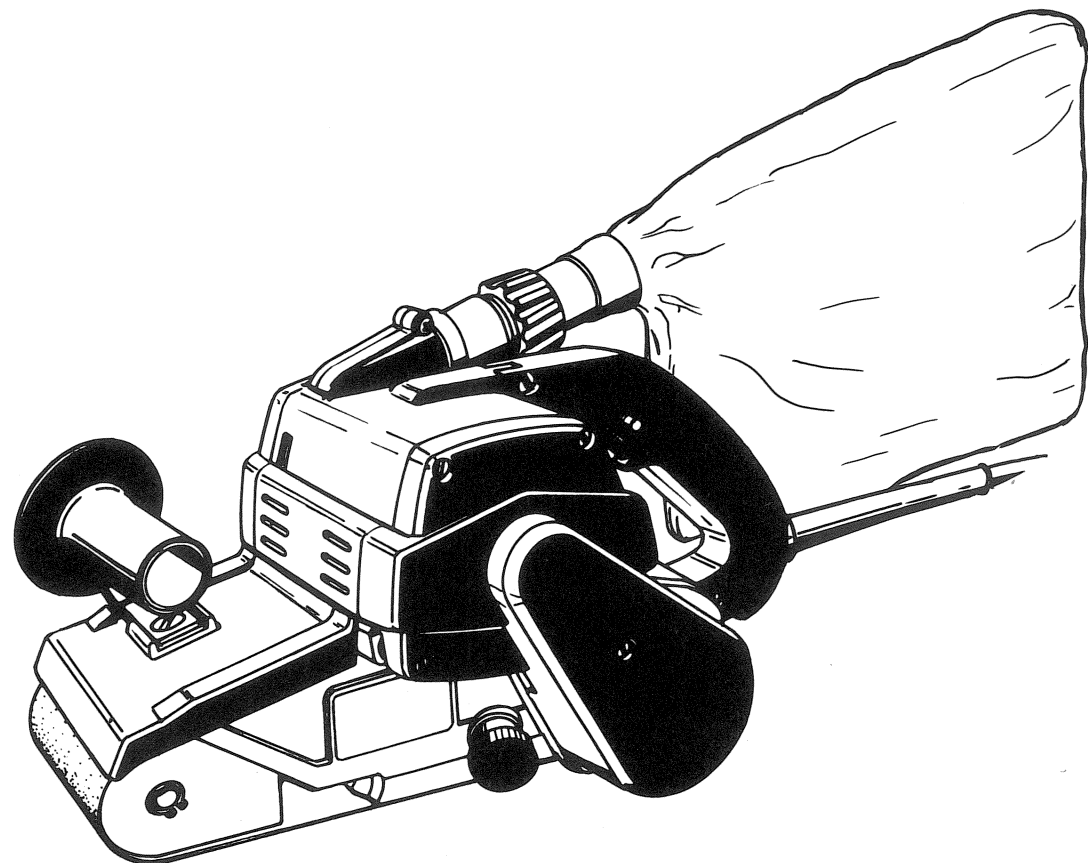


# Instruction Manual

## Belt Sander

### 4029

Form No. 741394  
(JULY87) ©1987 Printed in Switzerland



## Thanks for buying an ELU Belt Sander.

Your new ELU belt sander is the serious, heavy duty professional tool that you've been searching for. Built to Black & Decker's traditional standards for quality and toughness, your sander will deliver top performance for years to come.

It flush sands on three sides for getting into corners and includes a dust collecting system for quick cleanup. The powerful

motor and large sanding surface make short work of the toughest jobs.

Please take the time to thoroughly read this instruction manual and pay particular attention to the safety rules we've provided for your protection.

Don't forget to send in your owner's registration card.

Thanks again for buying Black & Decker!

**ELU**<sup>TM</sup>  
WOODWORKING TOOLS BY  
**BLACK & DECKER**

### Precautions To Take When Sanding Paint

1. Sanding of lead based paint is **NOT RECOMMENDED** due to the difficulty of controlling the contaminated dust. The greatest danger of lead poisoning is to children and pregnant women.
2. Since it is difficult to identify whether or not a paint contains lead without a chemical analysis, we recommend the following precautions when sanding any paint:

#### PERSONAL SAFETY:

- a. No children or pregnant women should enter the work area where the paint sanding is being done until all clean up is completed.
- b. A dust mask or respirator should be worn by all persons entering the work area. The filter should be replaced daily or whenever the wearer has difficulty breathing.
- c. **NO EATING, DRINKING or SMOKING** should be done in the work area to prevent ingesting contaminated paint particles. Workers should wash and clean up **BEFORE** eating, drinking or smoking. Articles of food, drink, or smoking should not be left in the work area where dust would settle on them.

#### ENVIRONMENTAL SAFETY:

- a. Paint should be removed in such a manner as to minimize the amount of dust generated.
- b. Areas where paint removal is occurring should be sealed with plastic sheeting of 4 mils thickness.
- c. Sanding should be done in a manner to reduce tracking of paint dust outside the work area.

#### CLEANING AND DISPOSAL:

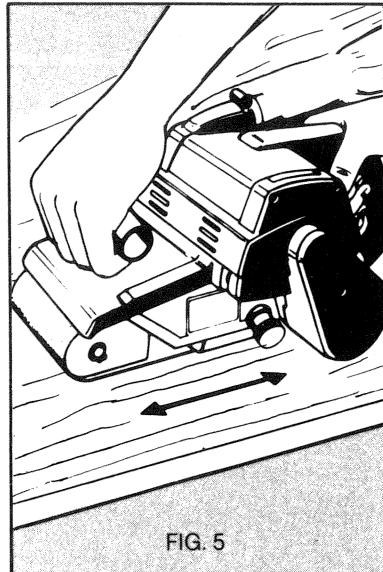
- a. All surfaces in the work area should be vacuumed and thoroughly cleaned daily for the duration of the sanding project. Vacuum filter bags should be changed frequently.
- b. Plastic drop cloths should be gathered up and disposed of along with any dust chips or other removal debris. They should be placed in sealed refuse receptacles and disposed of through regular trash pick-up procedures. During clean up, children and pregnant women should be kept away from the immediate work area.
- c. All toys, washable furniture and utensils used by children should be washed thoroughly before being used again.

### Notes

## Operation

First hold the sander off of the work and start motor. When the motor comes up to its maximum speed, lower the sander onto the work with a slight forward motion. Main handle is used to control the sander and the front auxiliary handle to guide it. Let the heel or rear drive roller touch the work first, bringing the plate into full contact as the stroke moves forward. The sander should be moved back and forth parallel to the grain of the wood (Fig. 5). Don't let the sander stay in one place or the finish will be uneven. Short overlapping strokes produce the best results. When sanding, avoid tilting the machine sideways as belt will make a deep cut into the work.

The weight of the machine itself is sufficient and extra pressure will only result in an uneven finish. Don't force tool, allow the machine to work easily. Use the coarse grit abrasive belt for fast sanding and finer grit for finishing.

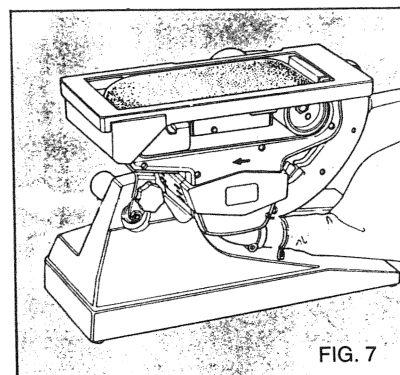
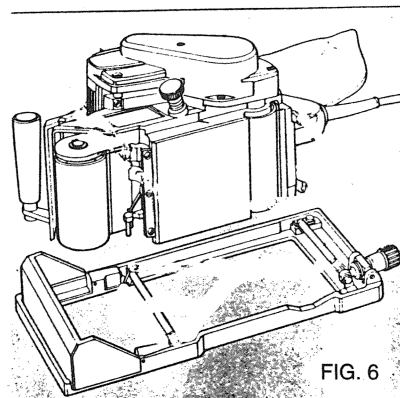


## Maintenance

### BE SURE YOUR SANDER IS DISCONNECTED FROM POWER SUPPLY.

Clean accumulated dust from your sander after each workpiece is finished.

When doing maintenance take care that oil or water doesn't come into contact with the motor.



## Accessories

Black & Decker offers a wide array of sanding belts and other accessories to enhance the versatility of your sander. Visit your local Black & Decker Service Center where recommended accessories can be purchased. (see fig. 6, 7)

If you need assistance in locating recommended accessories for your tool, contact:

Black & Decker (U.S.) Inc.  
User Services Department  
10 North Park Drive  
P.O. Box 857  
Hunt Valley, MD 21030-0857

Recommended accessories for your tool are available at extra cost from your local Black & Decker Service Center. The use of any other accessories or attachments may be hazardous. If you have any questions concerning which accessories are recommended, contact Black & Decker at the above address.

## Important

To assure product SAFETY and RELIABILITY, repairs, maintenance and adjustment, (including brush inspection and replacement) should be performed by qualified service organizations, always using ELU replacement parts.

ELU products are serviced by Black & Decker Company owned Service Centers.

## Important Safety Instructions

**WARNING:** When using Electric Tools, basic safety precautions should always be followed to reduce risk of fire, shock, and personal injury, including the following:

### READ ALL INSTRUCTIONS

1. **KEEP WORK AREA CLEAN.** Cluttered areas and benches invite injuries.
2. **CONSIDER WORK AREA ENVIRONMENT.** Don't expose power tools to rain. Don't use power tools in damp or wet locations. Keep work area well lit.
3. **GUARD AGAINST ELECTRIC SHOCK.** Prevent body contact with grounded surfaces. For example: pipes, radiators, ranges, refrigerator enclosures.
4. **KEEP CHILDREN AWAY.** All visitors should be kept away from work area. Do not let visitors contact tool or extension cord.
5. **STORE IDLE TOOLS.** When not in use, tools should be stored in dry, and high or locked-up place—out of reach of children.
6. **DON'T FORCE TOOL.** It will do the job better and safer at the rate for which it was intended.
7. **USE RIGHT TOOL.** Don't force small tool or attachment to do the job of a heavy-duty tool. Don't use tool for purpose not intended, for example, don't use circular saw for cutting tree limbs or logs.
8. **DRESS PROPERLY.** Do not wear loose clothing or jewelry. They can be caught in moving parts. Rubber gloves and non-skid footwear are recommended when working outdoors. Wear protective hair covering to contain long hair.
9. **USE SAFETY GLASSES.** Also use face or dustmask if cutting operation is dusty.
10. **DON'T ABUSE CORD.** Never carry tool by cord or yank it to disconnect from receptacle. Keep cord from heat, oil, and sharp edges.
11. **SECURE WORK.** Use clamps or a vise to hold work. It's safer than using your hand and it frees both hands to operate tool.
12. **DON'T OVERREACH.** Keep proper footing and balance at all times.
13. **MAINTAIN TOOLS WITH CARE.** Keep tools sharp and clean for better and safe performance. Follow instructions for lubricating and changing accessories. Inspect tool cords periodically and if damaged have repaired by authorized service facility. Inspect extension cords periodically and replace if damaged. Keep handles dry, clean, and free from oil and grease.
14. **DISCONNECT TOOLS.** When not in use, before servicing, and when changing accessories, such as blades, bits, cutters.
15. **REMOVE ADJUSTING KEYS AND WRENCHES.** Form habit of checking to see that keys and adjusting wrenches are removed from tool before turning it on.
16. **AVOID UNINTENTIONAL STARTING.** Don't carry plugged-in tool with finger on switch. Be sure switch is off when plugging in.
17. **OUTDOOR USE EXTENSION CORDS.** When tool is used outdoors, use only extension cords intended for use outdoors and so marked.
18. **STAY ALERT.** Watch what you are doing. Use common sense. Do not operate tool when you are tired.
19. **CHECK DAMAGED PARTS.** Before further use of the tool, a guard or other part that is damaged should be carefully checked to determine that it will operate and perform its intended function. Check for alignment of moving parts, binding of moving parts, breakage of parts, mounting, and any other conditions that may affect its operation. A guard or other part that is damaged should be properly repaired or replaced by an authorized service center unless otherwise indicated elsewhere in this instruction manual. Have defective switches replaced by authorized service center. Do not use tool if switch does not turn it on and off.
20. **DO NOT OPERATE** portable electric tools near flammable liquids or in gaseous or explosive atmospheres. Motors in these tools normally spark, and the sparks might ignite fumes.

SAVE THESE INSTRUCTIONS

## Double Insulation

DOUBLE-INSULATED tools are constructed throughout with TWO separate "layers" of electrical insulation or one DOUBLE thickness of insulation between you and the tool's electrical system.

Tools built with this insulation system are not intended to be grounded. As a result, your tool is equipped with a two-prong plug which permits you to use extension cords without concern for maintaining a ground connection.

**NOTE: DOUBLE INSULATION** does not take the place of normal safety precautions when operating this tool. The insulation system is for added protection against injury resulting from a possible electrical insulation failure within the tool.

**CAUTION:** When servicing all tools, USE ONLY IDENTICAL REPLACEMENT PARTS. Repair or replace damaged cords.

## Motor

Your ELU tool is powered by an ELU-built motor. Be sure your power supply agrees with the nameplate marking.

Volts 50/60 Hz or "AC only" means your tool must be operated only with alternating current and never with direct current.

Voltage decrease of more than 10% will cause loss of power and overheating. All ELU tools are factory tested, if this tool does not operate, check the power supply.

## Extension Cords

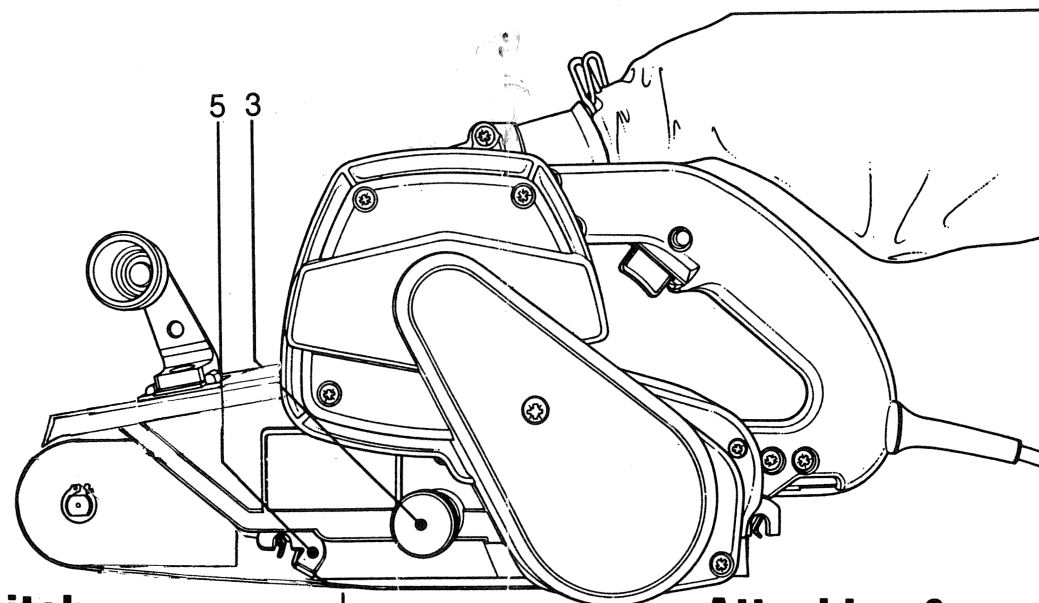
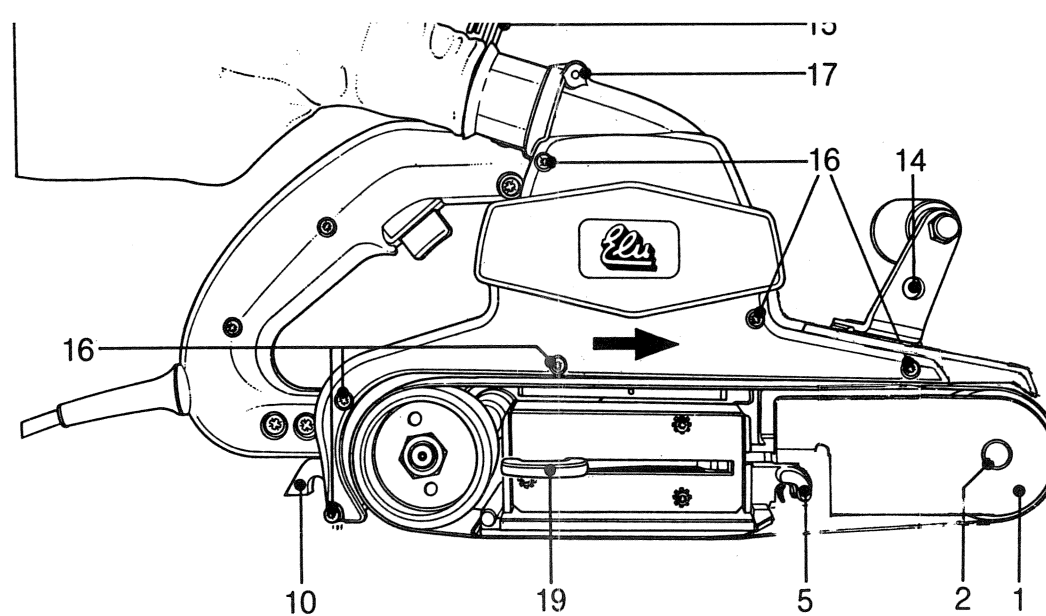
Double insulated tools have 2 wire cords, and can be used with 2 wire or 3 wire extension cords. Only round jacketed extension cords should be used, and we recommend that they be listed by Underwriters Laboratories (U.L.). If the extension will be used outside, the cord must be suitable for outdoor use. Any cord marked as outdoor can also be used for indoor work. The letters "WA" on the cord jacket indicate that the cord is suitable for outdoor use.

An extension cord must have adequate wire size (AWG or American Wire Gauge) for safety, and to prevent loss of power and overheating. The smaller the gauge number of the wire, the greater the capacity of the cable, that is 16 gauge has more capacity than 18 gauge. When using more than one extension to make up the total length, be sure each individual extension contains at least the minimum wire size.

To determine the minimum wire size required, refer to the chart below:

NAMEPLATE RATING-AMPS	CHART FOR MINIMUM WIRE SIZE (AWG) OF EXTENSION CORDS							
	TOTAL EXTENSION CORD LENGTH-FEET							
	25	50	75	100	125	150	175	200
0 - 10.0	18	18	16	16	14	14	12	12
10.1 - 13.0	16	16	14	14	14	12	12	12
13.1 - 15.0	14	14	12	12	12	12	12	—

Before using an extension cord, inspect it for loose or exposed wires, damaged insulation, and defective fittings. Make any needed repairs or replace the cord if necessary.



## Switch

Your sander starts and stops by depressing and releasing the switch. For continuous operation, press the lock button located on the side of the grip while switch is depressed. Depress switch again to release the lock. (Fig. 1)

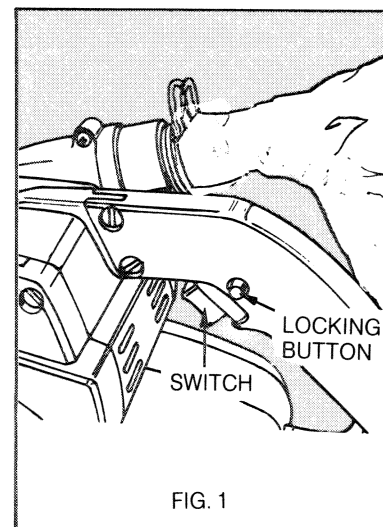


FIG. 1

## Attaching & Removing Dust Bag

BE SURE YOUR SANDER IS DISCONNECTED FROM POWER SUPPLY WHEN ATTACHING AND REMOVING DUST BAG.

The dust bag threads onto the sander with a spring clip (15). To empty the bag, it is recommended that it first be removed from the tool. Remove the bag and shake the dust out. The dust collector works best if the bag is emptied more frequently, preferably when about 1/3 full.

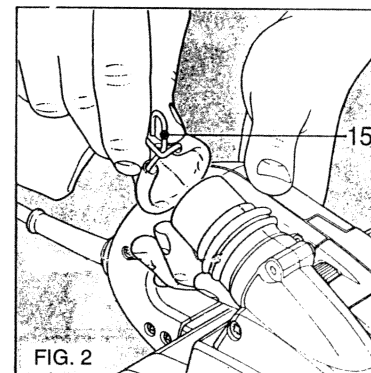


FIG. 2

## Installing and Changing Abrasive Belt

BE SURE YOUR SANDER IS DISCONNECTED FROM POWER SUPPLY WHEN INSTALLING AND CHANGING ABRASIVE BELT.

AVOID CONTACT WITH THE METAL WEAR PLATE AS IT CAN BECOME QUITE WARM AND THE EDGES CAN BECOME VERY SHARP.

Before changing the belt, switch the machine on and turn the adjusting screw (3) so that the belt projects approximately 2cm beyond the two rollers. Then remove the mains plug to prevent the belt sander from starting accidentally.

Place the machine on its side with the clamping lever (19) pointing upwards.

- Lift the clamping lever (19) upwards and release the belt.
- Pull the belt upwards and out.
- Insert a new belt over the drive roller and belt roller (1) from above, making sure that the arrow on the inside of the belt points in the same direction as the arrow on the sander.
- Clamp the belt in position by returning the clamping lever (19) to its original position.

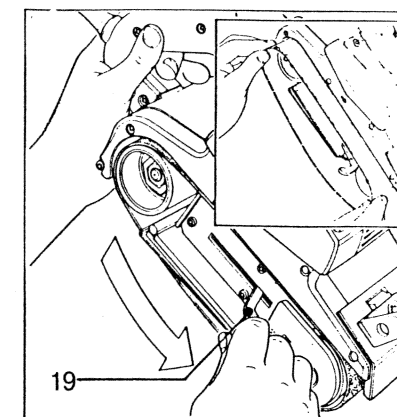


FIG. 3

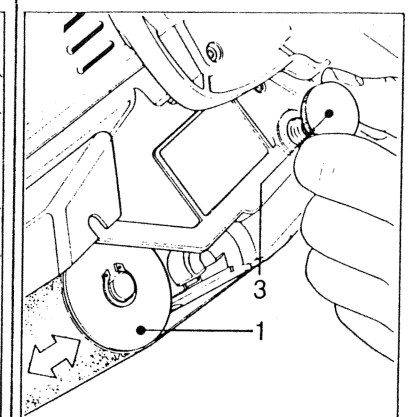


FIG. 4

## Tracking Adjustment

(Wear Eye Protection)

Turn the machine upside down, hold it firmly with one hand, start motor and release switch immediately after observing tracking of sanding belt. If abrasive belt runs outward, turn tracking adjustment screw clockwise and counterclockwise if belt runs inward (Fig. 4).

Adjust the belt until the outer edge of the belt is even with the outer edge of both front and rear rollers. Also check that the belt doesn't rub against belt guide strip.

Belt life will be greatly increased by keeping the tracking adjustment properly set.

## Free Manuals Download Website

<http://myh66.com>

<http://usermanuals.us>

<http://www.somanuals.com>

<http://www.4manuals.cc>

<http://www.manual-lib.com>

<http://www.404manual.com>

<http://www.luxmanual.com>

<http://aubethermostatmanual.com>

Golf course search by state

<http://golfingnear.com>

Email search by domain

<http://emailbydomain.com>

Auto manuals search

<http://auto.somanuals.com>

TV manuals search

<http://tv.somanuals.com>