

 **BLACK & DECKER®**

EM

EMax34i
EMax34s
EMax38i
EMax42i



www.blackanddecker.co.uk

Intended use

Your Black & Decker mower has been designed for mowing grass. This tool is intended for consumer use only.



Warning! Read all of the 'Safety, Maintenance, Service' manual carefully before operating this appliance.

Read all of this manual carefully before operating the appliance.

Features

This appliance includes some or all of the following features.

1. Switch box
2. On/off switch
3. Upper handle
4. Intelligent cable management
5. Lower handle
6. Cable storage holders
7. Height adjustment
8. Height of cut gauge
9. EdgeMax
10. Grass collection box
11. Clear grass flap
12. Carry handles

Assembly

Warning! Before assembly, make sure that the appliance is switched off and unplugged.

Assembling the grass collection box (fig. A - D)

The grass box requires assembly before use and comes in 5 pieces.

- ◆ Clip the handle (13) into the lid (14) of the grass box (fig. A). The handle will only fit one way round.
- ◆ Clip the 2 sides (15) of the grass collection box together. Make sure that all clips and guides are aligned (fig. B).
- ◆ Align the assembled sides onto the bottom (16) of the grass collection box. Ensure that the 4 guides (17) are aligned (fig. C).
- ◆ Push the 2 parts together. Apply even force around all edges of the grass collection box securing the clips into position uniformly. Check that each clip is fastened together securely.
- ◆ Align the lid (14) onto the assembled grass collection box. Ensure that the 10 guides (18) are aligned (fig. D)

Note: Take extra care when aligning the 2 clips at the rear of the grass collection box.

- ◆ Push down on the lid to secure all clips. Begin at the back and ensure that all clips are securely located.

Fitting the lower handle (fig. E)

- ◆ Insert the ends of the lower handle (5) into the corresponding holes in the mower.
- ◆ Press the handle down as far as it will go.
- ◆ Secure the handle using the screws (19).

Assembling the upper handle (fig. F)

- ◆ Fit the upper handle part (3) to the lower handle (5) using the knobs (20), washers (21) and screws (22) as shown.

Note: The upper handle can be fixed in 2 different height positions.

Securing the motor cable (fig. G)

The motor cable has to be fixed using the cable restraints.

- ◆ Clip the cable to the upper and lower handle using the restraint clips (23) as shown.

Fitting the grass collection box (fig. N)

- ◆ Lift the clear grass flap (11) and place the grass collection box (10) over the lugs (24).

Replacing the blade (fig. L)

Warning! Ensure the blade has completely stopped and disconnect the appliance from the mains.

Warning! Only use the specified replacement blade.

Warning! Use heavy-duty gloves to grip the blade.

To remove the blade:

- ◆ Turn the appliance onto its side.
- ◆ Using heavy-duty gloves, grip the blade.
- ◆ Use a 13mm spanner to loosen and remove the blade bolt (25) by turning the spanner anti-clockwise (ac).
- ◆ Remove the blade (26) and blade bolt (25).

To replace the blade:

- ◆ Offer the blade up to bolt shaft and locate the blade bolt (25) into the bolt shaft.

Note: When fitting a blade, the text on the blade must be facing the user.

- ◆ Tighten the blade bolt (25) as firmly as possible by hand.
- ◆ Using heavy-duty gloves, grip the blade.
- ◆ Use a 13mm spanner to securely tighten the blade bolt (25) by turning the spanner clockwise (c).

Use

Warning! Let the appliance work at its own pace. Do not overload.

Adjusting the height of cut (fig. M1 & M2)

The height of cut is adjusted by the central height adjust mechanism, there are 6 positions to choose from.

To set the height of cut

- ◆ Pull the height adjustment lever (7) away from the body of the unit.

- ◆ Move the lever towards the rear of the appliance to lower the height of cut.
- ◆ Move the lever towards the front of the appliance to raise the height of cut.
- ◆ Push the height adjustment lever (7) into one of the 6 height locations.

Note: The height of cut can be viewed on the height of cut gauge (8) on the side of the unit.

Switching on and off (fig. I)

Switching on

- ◆ Push in and hold the lock-off button (27).
- ◆ Pull the on/off switch (2) towards the handle.
- ◆ Release the lock-off button.

Switching off

- ◆ Release the on/off switch (2).

Warning: Never attempt to lock a switch in the on position.

Mowing (fig. P1 & P2) (EMax38i & EMax42i only)

We recommend to use your mower as outlined in this section in order to achieve optimum results and to reduce the risk of cutting the mains cable.

- ◆ Loop the mains cable through the intelligent cable management system (4) as shown (fig. H) ensure that you leave approximately 100 cm of cable between the switch-box (1) and the intelligent cable management restraint (4).
- ◆ Ensure that the cable restraint can slide freely from one handle to the other.
- ◆ Place the bulk of the mains cable on the lawn, close to the starting point (position 1 in fig. P1).
- ◆ Switch the appliance on as described above.
- ◆ Proceed as shown in fig. P1
- ◆ Move from position 1 to position 2.
- ◆ Turn right, stepping over the cable and proceed towards position 3. The cable restraint will slide from one side of the handle to the other ensuring that the cable is laid out away from the cutting blade.
- ◆ Turn left, stepping over the cable and move towards position 4. The cable restraint will slide from one side of the handle to the other ensuring that the cable is laid out away from the cutting blade.
- ◆ Repeat the above procedure as required.

Warning: Do not work towards the cable as shown in fig. P2.

Mowing (fig. P1 & P2) (EMax34s & EMax34i only)

We recommend to use your mower as outlined in this section in order to achieve optimum results and to reduce the risk of cutting the mains cable.

- ◆ Place the bulk of the mains cable on the lawn, close to the starting point (position 1 in fig. P1).

- ◆ Switch the appliance on as described above.
- ◆ Proceed as shown in fig. P1
- ◆ Move from position 1 to position 2.
- ◆ Turn right and proceed towards position 3.
- ◆ Turn left and move towards position 4.
- ◆ Repeat the above procedure as required.

Warning: Do not work towards the cable as shown in fig. P2.

EdgeMax (fig. K1 & K2)

EdgeMax allows you to cut grass right up to the edge of a wall or fence (fig K1).

EdgeMax allows you to accurately cut grass right up to the edge of your lawn (fig K2).

- ◆ With the lawnmower parallel with the edge of your lawn.
- ◆ Push the lawnmower along the edge of the lawn. Ensure that the EdgeMax (9) is slightly over the edge of your lawn (fig.K2)

Note: The roller underneath the appliance provides stability when mowing over the edge of your lawn.

Compact&Go (fig. J) (EMax34i, EMax38i & EMax42i only)

When the grass collection box is full you can compact the grass in the collection box. You can determine how full the grass collection box is by looking through the clear grass flap (11).

- ◆ Release the on/off switch (2).
- ◆ Using your right foot, press the grass compaction lever (29) all the way down until it locks into place.

Note: The grass in the collection box is now compressed into the rear of the box. You may continue mowing until the grass collection box becomes full.

Emptying the grass collection box (fig. J) (EMax34i, EMax38i & EMax42i only)

- ◆ Release the on/off switch (2).
- ◆ Remove the grass collection box (10).
- ◆ Empty the contents from the front of the box.
- ◆ Place the grass collection box on the ground and pull in and hold the grass compaction lever release button (30).
- ◆ Lift the grass compaction lever (29) into the vertical position and release the grass compaction lever release button (30).
- ◆ Empty the contents from the rear of the box.

Emptying the grass collection box (EMax34s only)

When the grass collection box is full you should empty the grass in the collection box.

- ◆ Release the on/off switch (2).
- ◆ Remove the grass collection box (10).
- ◆ Empty the contents from the box.

Cable storage (fig. O)

The cable holders (6) provide a safe and convenient way to store the cable (31) when not in use.

- ◆ Wrap the cable around the cable holders (6) in a figure of eight pattern.

Carrying the mower

Warning! Ensure the blade has completely stopped and disconnect the appliance from the mains.

- ◆ The mower can be carried using the convenient carry handles (12).

Hints for optimum use

- ◆ If the grass is longer than approximately 10 cm, make two cuts to obtain a better finish. First mow at maximum height of cut, then use a low or medium height of cut.
- ◆ In order to achieve optimum results, only mow dry grass.

Troubleshooting

If your appliance seems not to operate properly, follow the instructions below. If this does not solve the problem, please contact your local Black & Decker repair agent.

Warning! Before proceeding, remove the plug from the socket.

Problem	Possible Cause	Possible solution
Machine fails to operate	Power turned off	Turn power on
	Fuse faulty/blown	Replace fuse
	Grass too long	Increase the height of cut and move machine to shorter grass to start
	Thermal cut out activated	Allow motor to cool and increase height of cut
Machine functions intermittently	Thermal cut out activated	Allow motor to cool and increase height of cut
Machine leaves ragged finish or motor labours	Height of cut too low	Increase height of cut
	Cutting blade blunt	Replace the blade
	Underside of machine clogged	Check underneath the machine and clear out as necessary (always wear heavy duty gloves)
	Blade fitted upside down	Refit blade correctly

Technical data

		EMax34s EMax34i Type 3	EMax38i Type 3	EMax42i Type 3
Voltage	V _{AC}	230-240	230-240	230-240
Power Input	W	1400	1600	1800
No-Load Speed	min ⁻¹	3500	3500	3500
Height adjustment	mm	20-70	20-70	20-70
Blade length	mm	340	380	420
Weight	kg	12.1	13.3	13.9

Hand/arm weighted vibration value according to EN 60335:
= 3.2 m/s² , uncertainty (K) = 1.5 m/s².

EC declaration of conformityMACHINERY DIRECTIVE
OUTDOOR NOISE DIRECTIVE

EMax34s / EMax34i / EMax38i / EMax42i

Black & Decker declares that these products described under
"technical data" are in compliance with:
2006/42/EC, EN 60335-1, EN 60335-2-77

2000/14/EC, Lawn Mower, L < 50cm, Annex VI,
DEKRA Certification B.V., Utrechtseweg 310, ED Arnhem
Netherlands
Notified Body ID No.: 0344

Level of sound power according to 2000/14/EC

(Article 12, Annex III, L ≤ 50 cm):

 L_{WA} (measured sound power) 93 dB(A)
uncertainty (K) = 3 dB(A) L_{WA} (guaranteed sound power) 96 dB(A)
uncertainty (K) = 3 dB(A)

These products also comply with directive
2004/108/EC and 2011/65/EU.

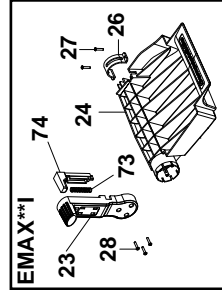
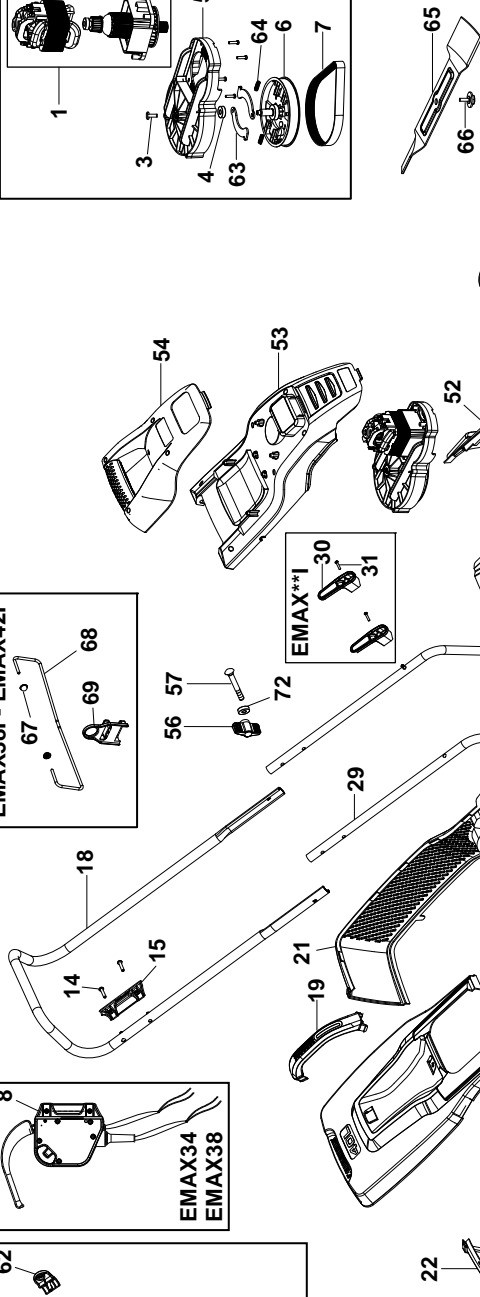
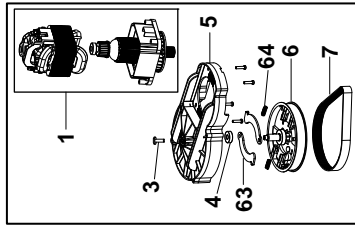
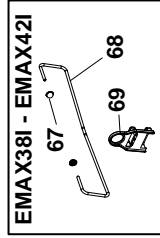
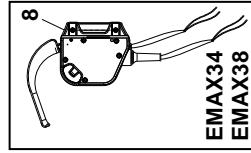
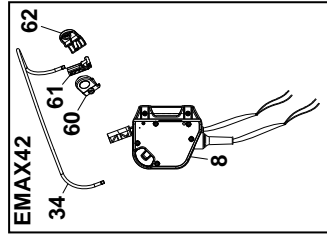
For more information, please contact Black & Decker at the
following address or refer to the back of the manual.

The undersigned is responsible for compilation of the technical
file and makes this declaration on behalf of Black & Decker.

Kevin Hewitt
Vice-President Global Engineering
Black & Decker Europe, 210 Bath Road, Slough,
Berkshire, SL1 3YD
United Kingdom
04/12/2012

EMAX34(S)(I) - EMAX38I - EMAX42(R)I

TYPE
2-3



ENGLISH

Do not forget to register your product!

www.blackanddecker.co.uk/productregistration

Register your product online at **www.blackanddecker.co.uk/productregistration** or send your name, surname and product code to Black & Decker in your country.

Australia

Black & Decker (Australia) Pty. Ltd.
20 Fletcher Road, Mooroolbark,
Victoria, 3138

Tel. 03-8720 5100
Fax 03-9727 5940

New Zealand

Black & Decker
5 Te Apunga Place
Mt Wellington
Auckland 1060

Tel. +64 9 259 1133
Fax +64 9 259 1122

United Kingdom

Black & Decker
210 Bath Road
Slough, Berkshire SL1 3YD

Tel. 01753 511234
Fax 01753 551155

Free Manuals Download Website

<http://myh66.com>

<http://usermanuals.us>

<http://www.somanuals.com>

<http://www.4manuals.cc>

<http://www.manual-lib.com>

<http://www.404manual.com>

<http://www.luxmanual.com>

<http://aubethermostatmanual.com>

Golf course search by state

<http://golfingnear.com>

Email search by domain

<http://emailbydomain.com>

Auto manuals search

<http://auto.somanuals.com>

TV manuals search

<http://tv.somanuals.com>