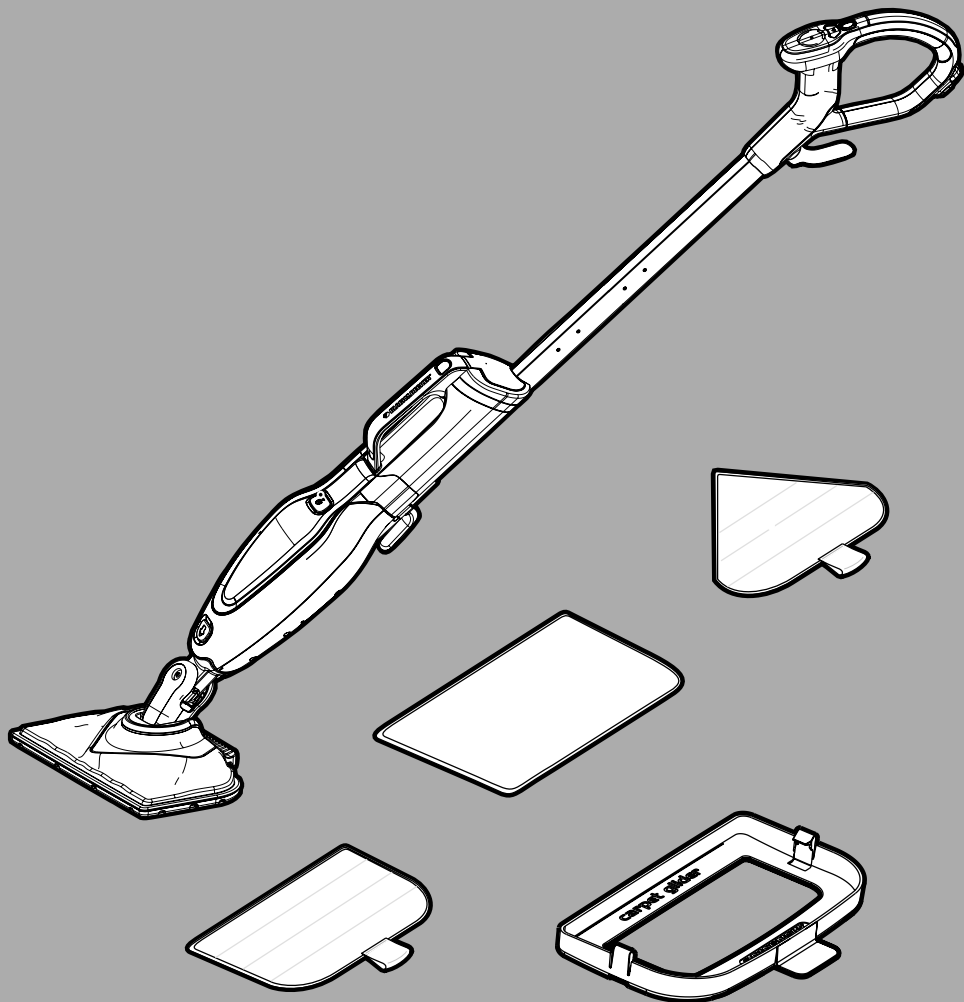
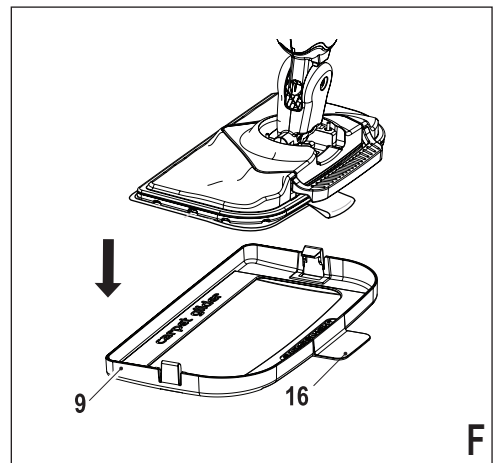
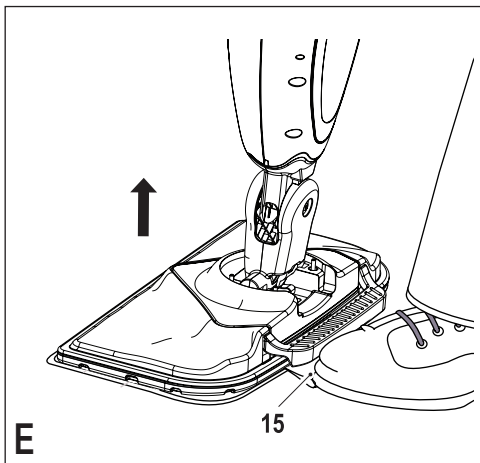
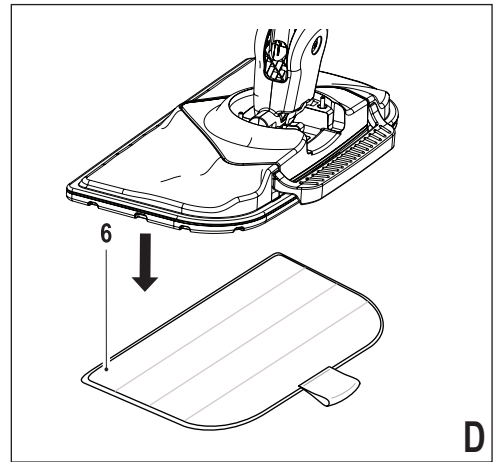
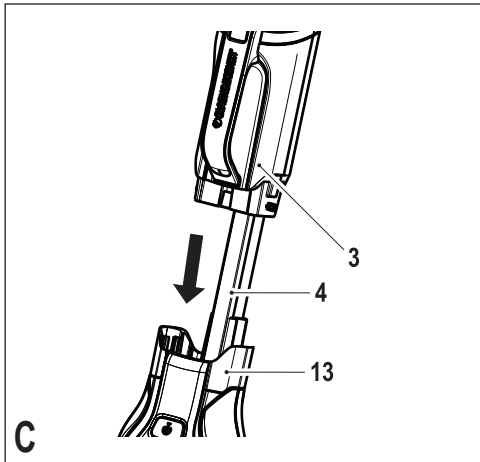
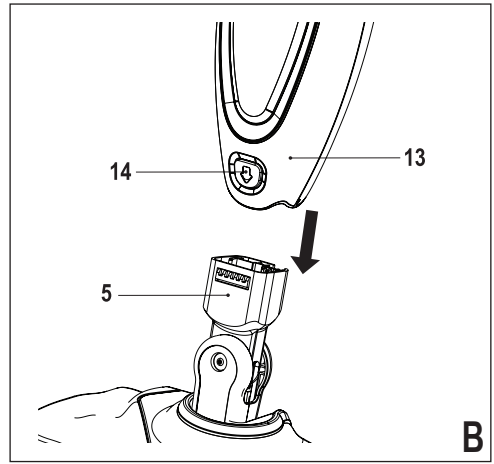
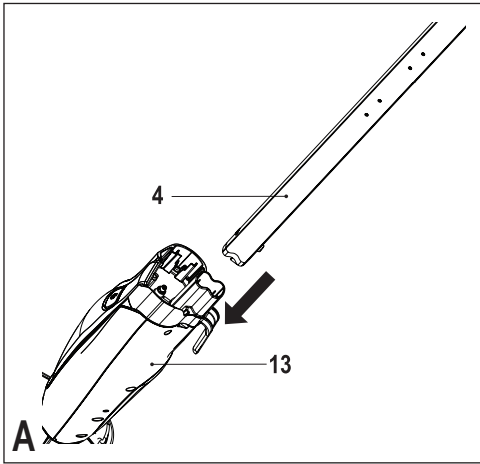


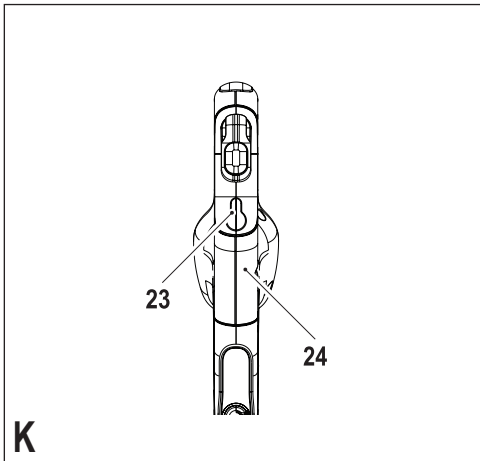
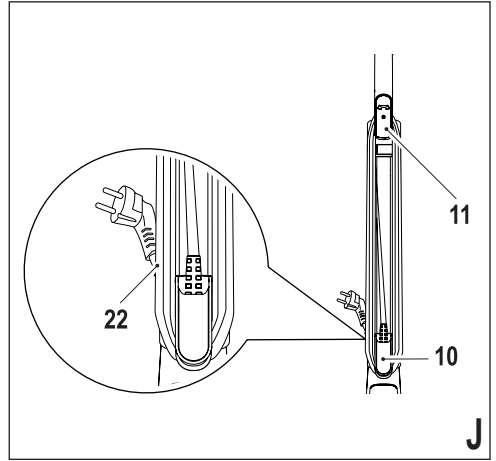
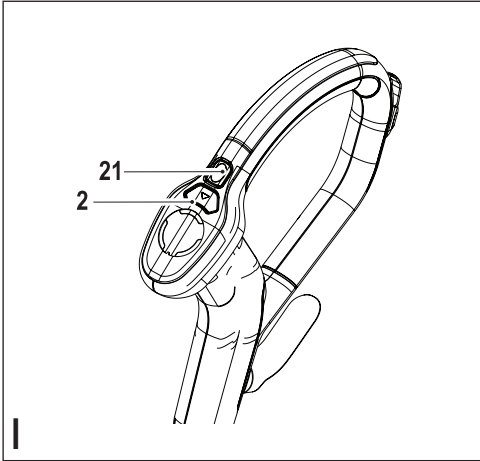
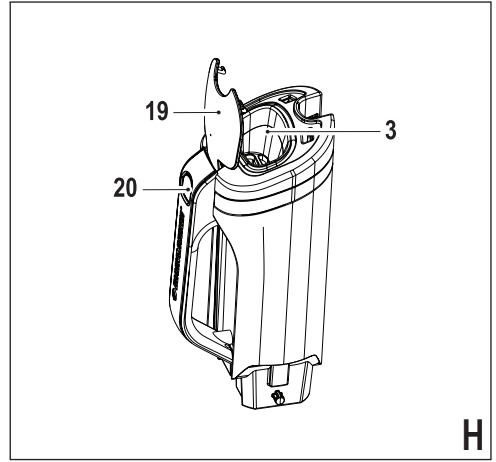
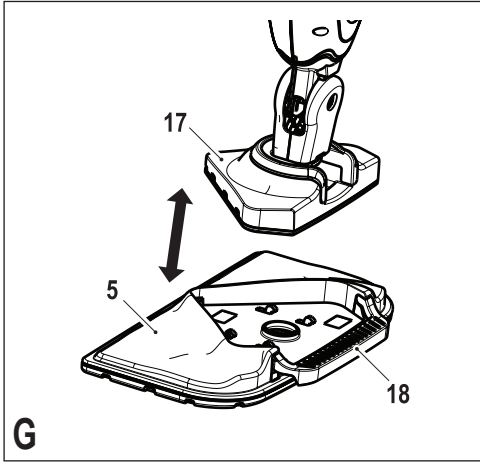
 **BLACK & DECKER®**



www.blackanddecker.ae

FSM1630





Intended use

Your Black & Decker steam mop has been designed for sanitising and cleaning sealed hardwood, sealed laminate, linoleum, vinyl, ceramic tile, stone and marble floors and for refreshing carpets. This appliance is intended for indoor household use only.

Safety instructions



Warning! Read all safety warnings and all instructions. Failure to follow the warnings and instructions listed below may result in electric shock, fire and/or serious injury.



Warning! When using mains-powered appliances, basic safety precautions, including the following, should always be followed to reduce the risk of fire, electric shock, personal injury and material damage.

- ◆ Read all of this manual carefully before using the appliance.
- ◆ The intended use is described in this manual. The use of any accessory or attachment or the performance of any operation with this appliance other than those recommended in this instruction manual may present a risk of personal injury.
- ◆ Retain this manual for future reference.

Using your appliance

- ◆ Do not direct steam at people, animals, electrical appliances or electrical outlets.
- ◆ Do not expose to rain.
- ◆ Do not immerse the appliance in water.
- ◆ Do not leave the appliance unattended.
- ◆ Do not leave the appliance connected to an electrical outlet when not in use.
- ◆ Never pull the power lead to disconnect the appliance from the socket. Keep the appliance lead away from heat, oil and sharp edges.
- ◆ Do not handle steam cleaner with wet hands.
- ◆ Do not pull or carry by cord, use cord as a handle, close door on cord, pull cord around sharp corners or expose cord to heated surfaces.
- ◆ Do not use appliance in an enclosed space filled with vapour given off by oil-base paint thinner, some moth-proofing substances, flammable dust, or other explosive or toxic vapours.
- ◆ Check the type of floor with the manufacturer.
- ◆ Do not use on leather, wax polished furniture or floors, synthetic fabrics, velvet or other delicate, steam-sensitive materials.



Warning! Do not use on unsealed wood or unsealed laminate floors. On surfaces that have been treated with wax or some no wax floors, the sheen may be removed by the heat and steam action. It is always recommended to test an isolated area of the surface to be cleaned before proceeding. We also recommend that you check the use and care instructions from the floor manufacturer.

- ◆ Never put descaling, aromatic, alcoholic or detergent products into the steam cleaner, as this may damage it or make it unsafe for use.
- ◆ If the home circuit breaker activates while using the steam function, discontinue product use immediately and contact the customer support centre. (Beware of the risk of electrical shock.)
- ◆ The appliance emits very hot steam to sanitize the area of use. This means that the steam head, cleaning pads and carpet attachment get very hot during use.
- ◆ **Caution!** Always wear suitable shoes when using your steam mop and when changing the accessories on your steam mop. Do not wear slippers or open toed footwear.
- ◆ The lid may become hot during use.
- ◆ Steam may escape from the appliance during use.
- ◆ Care should be taken when using this appliance. DO NOT touch any parts which may become hot during use.
- ◆ Switch the appliance off and return the handle to the upright position before removing the water tank.
- ◆ For floor use only; do not use the unit upside down. This appliance is intended for indoor household use only.

After use

- ◆ Unplug the appliance and allow to cool before cleaning.
- ◆ When not in use, the appliance should be stored in a dry place.
- ◆ Children should not have access to stored appliances.

Inspection and repairs

- ◆ Unplug the appliance and allow to cool before performing any maintenance or repairs.
- ◆ Before use, check the appliance for damaged or defective parts. Check for breakage of parts, damage to switches and any other conditions that may affect its operation.
- ◆ Regularly check the power lead for damage.
- ◆ Do not use the appliance if any part is damaged or defective.
- ◆ Have any damaged or defective parts repaired or replaced by an authorized repair agent.
- ◆ Never attempt to remove or replace any parts other than those specified in this manual.

Safety of others

- ◆ This appliance is not intended for use by persons (including children) with reduced physical, sensory or mental capabilities, or lack of experience and knowledge, unless they have been given supervision or instruction concerning the use of the appliance by a person responsible for their safety.
- ◆ Children should be supervised to ensure that they do not play with the appliance.

Residual risks.

Additional residual risks may arise when using the tool which may not be included in the enclosed safety warnings. These risks can arise from misuse, prolonged use etc.

Even with the application of the relevant safety regulations and the implementation of safety devices, certain residual risks can not be avoided. These include:

- ◆ Injuries caused by touching any moving parts.
- ◆ Injuries caused by touching any hot parts.
- ◆ Injuries caused when changing any parts or accessories.
- ◆ Injuries caused by prolonged use of the appliance. When using any appliance for prolonged periods ensure you take regular breaks.

Electrical safety



Warning! This product must be earthed. Always check that the power supply corresponds to the voltage on the rating plate.

Power plugs must match the outlet. Never modify the plug in any way. Unmodified plugs and matching outlets will reduce risk of electric shock.

- ◆ **If the supply cord is damaged, it must be replaced by the manufacturer or an authorised Black & Decker Service Centre in order to avoid a hazard.**

Extension cables & Class 1 product

- ◆ **A 3-core cable must be used as your appliance is earthed and of Class 1 construction.**
- ◆ **Up to 30m (100 ft) can be used without loss of power.**

Labels on the appliance

The following pictograms are shown on the tool:



Warning! To reduce the risk of injury, the user must read the instruction manual.



Warning! Danger of scalding.

Features

This appliance includes some or all of the following features.

1. ON/Off switch
2. Autoselect™ button
3. Removable water tank
4. Handle
5. Steam head
6. Steam head cleaning pad
7. Delta head cleaning pad
8. Resting mat
9. Carpet glider
10. Bottom cable tidy hook
11. Top cable tidy hook
12. Cable management clip

Assembly

Warning! Before attempting any of the following operations, make sure that the appliance is switched off and unplugged and that the appliance is cold and does not contain any water.

Attaching the handle (Fig. A)

- ◆ Slide the bottom end of the handle (4) into the top end of the steam mop body (13) until it clicks into place.

Attaching the steam head (Fig. B)

- ◆ Slide the bottom end of the steam mop body (13) onto the steam head (5) until it clicks into place.
- ◆ The steam head can be removed from the Steam mop body by pressing the steam head release button (14) and pulling the steam mop body (13) off the steam head (5).

Attaching the water jug (Fig. C)

- ◆ Clip the water jug (3) onto the handle (4).
- ◆ Slide the water jug (3) down into the Steam mop body (13), ensure that the water jug is firmly seated.

Attaching a cleaning pad (Fig. D)

Replacement cleaning pads are available from your Black & Decker dealer:- (cat. no. FSMP20-XJ).

Steam head cleaning pad - cat. no. FSMP20-XJ).

Delta head cleaning pad - cat. no. FSMP30-XJ (FSM1630 Only).

- ◆ Place a cleaning pad (6 or 7) on the floor with the 'hook & loop' side facing up.
- ◆ Lightly press the steam mop down onto the cleaning pad (6 or 7).

Caution! Always place your steam mop on the resting mat (8) with the handle (4) in the upright position when stationary and make sure the steam mop is turned off when not in use.

Removing a cleaning pad (Fig. E)

Caution! Always wear suitable shoes when changing the cleaning pad on your steam mop. Do not wear slippers or open toed footwear.

- ◆ Return the handle (4) to the upright position and turn the steam mop 'OFF'.
- ◆ Place the steam mop on the resting mat and wait until it cools down. (approximately five minutes)
- ◆ Place the front of your shoe onto the cleaning pad removal tab (15) and press down firmly.
- ◆ Lift the steam mop up off the cleaning pad.

Caution! Always place the steam mop on the resting mat (8) with the handle (4) in the upright position when stationary and make sure the steam mop is turned off when not in use.

Attaching the carpet glider (Fig. F)

- ◆ Place carpet glider on the floor.
- ◆ Lightly press the steam mop down onto the carpet glider (9) until it clicks into place.

Caution! Always place the steam mop on the resting mat (8) with the handle (4) in the upright position when stationary and make sure the steam mop is turned off when not in use.

Removing the carpet glider (Fig. F)

Caution! Always wear suitable shoes when changing the carpet glider on your steam mop. Do not wear slippers or open toed footwear.

- ◆ Return the handle (4) to the upright position and turn the steam mop 'OFF'.
- ◆ Place the steam mop on the resting mat and wait until it cools down. (approximately five minutes)
- ◆ Place the front of your shoe onto the carpet glider removal tab (16) and press down firmly.
- ◆ Lift the steam mop up off the carpet glider (9).

Caution! Always place the steam mop on the resting mat (8) with the handle (4) in the upright position when stationary and make sure the steam mop is turned off when not in use.

The Delta Head (Fig. G)

This Steam Mop incorporates a built in delta head which enables you to access into tight corners and narrow gaps.

Caution! Always wear suitable shoes when accessing the delta head on your steam mop. Do not wear slippers or open toed footwear.

- ◆ Return the handle (4) to the upright position and turn the steam mop 'OFF'.
- ◆ Place the steam mop on the resting mat and wait until it cools down. (approximately five minutes)
- ◆ Place the front of your shoe onto the steam head removal tab (18) and press down gently.
- ◆ Lift the delta head (17) up off the steam head (5).
- ◆ Fit the delta head cleaning pad to the bottom of the delta head.

Note: Remove the cleaning pad before re-fitting the delta head to the steam head.

- ◆ To refit the delta head, place the tip of the delta head into the steam head then press down firmly ensuring that the delta head clicks into place.

Caution! Always place the steam mop on the resting mat (8) with the handle (4) in the upright position when stationary and make sure the steam mop is turned off when not in use.

Filling the water tank (Fig. H)

The watertank on your steam mop is removable for convenient and easy filling.

This Steam Mop incorporates an anti-calc system to help prolong the life of the system.

Note: Fill the water tank with clean tap water.

Note: In areas of very hard water, the use of de-ionised water is recommended.

- ◆ Remove the water tank (3).
- ◆ Open the filler cap (19) by pressing the release button (20).
- ◆ Fill the water tank (3) with water.

Warning! Your water tank has a 0.5 litre capacity. Do not over fill the tank.

- ◆ Re-fit the filler cap (19).
- ◆ Re-fit the water tank (3).

Note: Ensure the filler cap is firmly secured.

Use

Important! This unit will kill 99.9% of bacteria & germs when used in accordance with this manual and with the micro fibre pad fitted and a continuous run time of 90 seconds.

Switching on and off

- ◆ To switch the appliance on, press the ON/OFF button (1). It takes approximately 15 seconds for the steam mop to heat up.

Note: When the steam mop is first turned on the water reservoir will glow red. Once the steam mop is ready to use the water reservoir will glow blue.

- ◆ To switch the appliance off, press the ON/OFF button (1).

Caution! Never leave the steam mop in one spot on any surface for any period of time. Always place the steam mop on the resting mat (8) with the handle (4) in the upright position when stationary and make sure the steam mop is turned off when not in use.

Caution! Always empty the steam mop after use.

Autoselect™ Technology (Fig. J)

This steam mop is fitted with an Autoselect™ button (2) which shows various cleaning applications. They are used to select the correct operating mode for your particular cleaning operation.

Using Autoselect™, choose from one of the following applications by pressing the autoselect button (2) until the required setting is selected:

	Wood/Laminate
	Stone/Marble
	Tiles/Vinyl

The steam mop will select the correct volume of steam required for your particular cleaning operation.

Note: Always check you are using the correct setting before using your steam mop. For convenience the steam mop will remember the last setting you chose.

Steam burst (Fig. I)

The steam mop is equipped with a steam burst button to aid in the removal of stubborn marks and stains.

- ◆ During use, press the steam burst button (21) to apply extra cleaning power.

Note: The steam burst will last for 10 seconds then the steam mop will return to the chosen setting.

Hints for optimum use

General

Caution! Never use the steam mop without first attaching a cleaning pad.

- ◆ During use you can use the cable management clip (11) to keep your cable out of the way of the work area.
- ◆ Always vacuum or sweep the floor before using the steam mop.
- ◆ The easiest way to use the machine is to tilt the handle to a 45° angle and clean slowly, covering a small area at a time.
- ◆ Do not use chemical cleaners with your steam mop. To remove stubborn stains from vinyl or linoleum floors, you can use the steam burst button to apply extra steam to the area or pre-treat with a mild detergent and some water before using the steam mop.

Steam cleaning

- ◆ Place a cleaning pad (6 or 7) on the floor with the 'hook & loop' side facing up.
- ◆ Raise the steam mop off the resting mat (8) and lightly press it down onto the cleaning pad (6 or 7).
- ◆ Place the steam mop on the resting mat.
- ◆ Connect the steam mop to the mains.
- ◆ Press the ON/OFF button (1). It takes approximately 15 seconds for the steam mop to heat up.
- ◆ Press the Autoselect™ button (2) till the required setting is reached.
- ◆ Pulling the handle (4) back will activate the steam pump. After a few seconds steam will start to come out of the steam head.
- ◆ It takes a few seconds for steam to enter the cleaning pad. The steam mop will now glide easily over the surface to be sanitised/cleaned.
- ◆ Push and pull the steam mop slowly across the floor to thoroughly steam clean each section.

Note: During use you may turn off the steam pump by returning the handle to the upright position, this convenient feature will allow you to place the steam mop on the resting mat for a short time so that you may move items of furniture, then continue cleaning without the need to switch the appliance off.

- ◆ When you have finished using the steam mop, return the handle (4) to the upright position and turn it 'OFF', place it on the resting mat (8) and wait until the steam mop cools down. (approximately five minutes)

Caution! It is important to monitor the water level in the water tank. To refill the water tank and continue to sanitise/clean, return the handle (4) to the upright position and turn the steam mop 'OFF'. Unplug the unit from the electrical wall outlet, remove and refill the water tank (3).

Caution! Never leave the steam mop in one spot on any surface for any period of time. Always place the steam mop on the resting mat (8) with the handle (4) in the upright position when stationary and make sure the steam mop is turned off when not in use.

Carpet refreshing

- ◆ Place a cleaning pad (6 or 7) on the floor with the 'hook & loop' side facing up.
- ◆ Raise the steam mop off the resting mat (8) and lightly press it down onto the cleaning pad (6 or 7).
- ◆ Place the carpet glider (9) on the floor.
- ◆ Lightly press the steam mop down onto the carpet glider (9) until it clicks into place.
- ◆ Place the steam mop on the resting mat. (8)
- ◆ Connect the steam mop to the mains.
- ◆ Press the ON/OFF button (1). It takes approximately 15 seconds for the steam mop to heat up.
- ◆ Press the Autoselect™ button (2) to the Wood/Laminate setting.

- ◆ Pulling the handle (4) back will activate the steam pump. After a few seconds steam will start to come out of the steam head.
- ◆ Push and pull the steam mop slowly across the carpet to thoroughly refresh each section.

Note: During use you may turn off the steam pump by returning the handle (4) to the upright position, this convenient feature will allow you to place the steam mop on the resting mat (8) so that you may move items of furniture without the need to switch the appliance off.

- ◆ When you have finished using the steam mop, return the handle (4) to the upright position and turn it 'OFF', place it on the resting mat (8) and wait until the steam mop cools down. (approximately five minutes)

Caution! It is important to monitor the water level in the water tank. To refill the water tank and continue to sanitise/clean, return the handle (4) to the upright position and turn the steam mop 'OFF'. Unplug the unit from the electrical wall outlet, remove and refill the water tank (3).

Caution! Never leave the steam mop in one spot on any surface for any period of time. Always place the steam mop on the resting mat (8) with the handle (4) in the upright position when stationary and make sure the steam mop is turned off when not in use.

After use (Fig. J & K)

- ◆ Return the handle (4) to the upright position and turn the steam mop 'OFF'.
- ◆ Place the steam mop on the resting mat (8) and wait until the steam mop cools down. (approximately five minutes)
- ◆ Unplug the steam mop from the electrical wall outlet.
- ◆ Empty the water tank (3).
- ◆ Remove the cleaning pad (6 or 7) and wash it ready for next use. (Take care to follow the wash care instructions printed on the cleaning pad).
- ◆ Wrap the supply cable around the cable tidy hooks (10 & 11).

Note: The top cable tidy hook (11) rotates to easily release the cable ready for next use.

- ◆ Clip the supply cable onto itself using the cable tidy clip (22) close to the plug.
- ◆ Place steam mop on the resting mat (8) for storage.

Note: With the handle (4) in the upright position, the cable neatly wrapped around the cable tidy hooks (10 & 11) and secured with the cable tidy clip (22) your steam mop will stand on its own for storage. Alternatively there is a hanging bracket (23) built into the hand grip (24) which will allow your steam mop to be hung from a suitable hook on the wall. Always ensure that your wall hook is capable of supporting the weight of the steam mop safely.

Maintenance and cleaning

Your Black & Decker corded appliance has been designed to operate over a long period of time with a minimum of maintenance. Continuous satisfactory operation depends upon proper appliance care and regular cleaning.

Warning! Before performing any maintenance or cleaning on corded appliances switch off and unplug the appliance.

- ◆ Wipe your appliance over using a soft damp cloth.
- ◆ For stubborn marks you can use a mild solution of soap and water to dampen your cloth.

Care of the cleaning pads

Wash care instructions - No fabric conditioner - Allow to dry fully before re-use.

Caution! Follow the cleaning instructions printed on the label of the cleaning pad.

Mains plug replacement (U.K. & Ireland only)

If a new mains plug needs to be fitted:

- ◆ Safely dispose of the old plug.
- ◆ Connect the brown lead to the live terminal in the new plug.
- ◆ Connect the blue lead to the neutral terminal.
- ◆ Connect the green/yellow lead to the earth terminal.

Warning! Follow the fitting instructions supplied with good quality plugs. Recommended fuse: 13A.

Protecting the environment



Separate collection. This product must not be disposed of with normal household waste.

Should you find one day that your Black & Decker product needs replacement, or if it is of no further use to you, do not dispose of it with household waste. Make this product available for separate collection.



Separate collection of used products and packaging allows materials to be recycled and used again. Re-use of recycled materials helps prevent environmental pollution and reduces the demand for raw materials.

Local regulations may provide for separate collection of electrical products from the household, at municipal waste sites or by the retailer when you purchase a new product.

Black & Decker provides a facility for the collection and recycling of Black & Decker products once they have reached the end of their working life. To take advantage of this service please return your product to any authorised repair agent who will collect them on our behalf.

You can check the location of your nearest authorised repair agent by contacting your local Black & Decker office at the address indicated in this manual. Alternatively, a list of authorised Black & Decker repair agents and full details of our after-sales service and contacts are available on the Internet at: www.2helpU.com

Please visit our website www.blackanddecker.co.uk to register your new Black & Decker product and to be kept up to date on new products and special offers. Further information on the Black & Decker brand and our range of products is available at www.blackanddecker.co.uk

Technical data

		FSM1630 (Type 1)
Voltage	V _{ac}	230
Power	W	1600
Tank capacity	ml	500
Weight	kg	2.7

Guarantee

Black & Decker is confident of the quality of its products and offers an outstanding guarantee. This guarantee statement is in addition to and in no way prejudices your statutory rights. The guarantee is valid within the territories of the Member States of the European Union and the European Free Trade Area.

If a Black & Decker product becomes defective due to faulty materials, workmanship or lack of conformity, within 24 months from the date of purchase, Black & Decker guarantees to replace defective parts, repair products subjected to fair wear and tear or replace such products to ensure minimum inconvenience to the customer unless:

- ◆ The product has been used for trade, professional or hire purposes;
- ◆ The product has been subjected to misuse or neglect;
- ◆ The product has sustained damage through foreign objects, substances or accidents;
- ◆ Repairs have been attempted by persons other than authorised repair agents or Black & Decker service staff.

To claim on the guarantee, you will need to submit proof of purchase to the seller or an authorised repair agent. You can check the location of your nearest authorised repair agent by contacting your local Black & Decker office at the address indicated in this manual. Alternatively, a list of authorised Black & Decker repair agents and full details of our after-sales service and contacts are available on the Internet at: www.2helpU.com

Utilisation

Votre balai vapeur Black & Decker a été conçu pour désinfecter et nettoyer les planchers vernis, les sols en bois lamellés vernis, en lino, en vinyle, en carrelage, en pierre et en marbre. Il convient également au rafraîchissement des moquettes. Il est destiné à une utilisation à l'intérieur et exclusivement domestique.

Consignes de sécurité



Attention ! Lisez avec attention tous les avertissements et toutes les instructions. Le non-respect de cette consigne peut entraîner une électrocution, un incendie et/ou de graves blessures.



Attention ! De simples précautions sont à prendre pour l'utilisation d'appareil branché à l'alimentation principale. Les conseils suivants doivent toujours être appliqués, ceci afin de réduire le risque d'incendie, les chocs électriques, les blessures et les dommages matériels.

- ◆ Lisez attentivement et entièrement le manuel avant d'utiliser l'appareil.
- ◆ Ce manuel décrit la manière d'utiliser cet outil. L'utilisation d'un accessoire ou d'une fixation, ou bien l'utilisation de cet appareil à d'autres fins que celles recommandées dans ce manuel d'instruction peut présenter un risque de blessures.
- ◆ Gardez ce manuel pour référence ultérieure.

Utilisation de votre appareil

- ◆ N'orientez pas la vapeur vers des personnes, des animaux, des appareils électriques ou des prises.
- ◆ Ne laissez pas l'appareil sous la pluie.
- ◆ Ne plongez pas l'appareil dans l'eau.
- ◆ Ne laissez pas l'appareil sans surveillance.
- ◆ Ne laissez pas l'appareil branché à une prise s'il ne doit pas être utilisé.
- ◆ Ne tirez jamais sur le fil électrique pour le débrancher. Maintenez le fil de l'appareil éloigné de toute source de chaleur, de zones grasses et de bords tranchants.
- ◆ N'utilisez pas le balai vapeur avec les mains humides.
- ◆ Le fil ne doit pas être tiré ou servir de poignée. Il ne doit pas être coincé par une porte, glisser sur des coins anguleux ou approcher de surfaces chaudes.
- ◆ N'utilisez pas l'appareil dans un espace restreint où se dégage de la vapeur provenant d'un diluant chimique, certaines substances antimites, de la poussière inflammable ou autres vapeurs explosives ou toxiques.
- ◆ Vérifiez le type de sol avec le fabricant.

- ◆ N'utilisez pas sur du cuir, des meubles ou des sols cirés, des tissus synthétiques, des velours ou autres tissus délicats, des matériaux ne résistant pas à la vapeur.



Attention ! N'utilisez pas sur des sols en bois ou en bois lamellé non vernis. Sur les surfaces traitées avec de la cire ou sur certains sols non cirés, la chaleur et les vapeurs peuvent faire disparaître la brillance. Il est toujours recommandé de tester sur une zone de la surface à nettoyer avant de commencer. Nous recommandons aussi de vérifier les instructions d'utilisation et de précautions du fabricant du sol.

- ◆ Ne jamais utiliser de détartrant, de produit parfumé, d'alcool ou de détergents dans le balai vapeur, ceci aurait pour effet de l'endommager, voire même d'être dangereux.
- ◆ Si le disjoncteur se déclenche pendant l'utilisation du balai vapeur, arrêtez immédiatement de l'utiliser et contactez le service client (ne pas oublier qu'il y a risque d'électrocution).
- ◆ L'appareil diffuse de la vapeur à très haute température pour désinfecter la zone d'utilisation. Cela signifie que les embouts deviennent extrêmement chauds.
- ◆ **Attention !** Portez toujours des chaussures adaptées pour utiliser le balai vapeur ainsi que pour changer d'accessoire. Ne portez pas de chaussons ou de sandalottes.
- ◆ Le couvercle peut devenir chaud pendant l'utilisation.
- ◆ La vapeur peut s'échapper de l'appareil pendant l'utilisation.
- ◆ Toutes les précautions doivent être prises pour utiliser l'appareil. NE TOUCHEZ AUCUNE PIÈCE qui pourrait devenir chaude.
- ◆ Mettez l'appareil hors tension et placez le manche en position verticale avant de retirer le réservoir d'eau.
- ◆ Ne doit être utilisé que si posé au sol ; ne pas retourner l'appareil pour l'utiliser. Il est destiné à une utilisation à l'intérieur et exclusivement domestique.

Après l'utilisation

- ◆ Débranchez l'appareil et laissez-le refroidir avant de le nettoyer.
- ◆ Quand il n'est pas utilisé, l'appareil doit être rangé dans un endroit sec.
- ◆ Les enfants ne doivent pas avoir accès aux appareils rangés.

Vérification et réparations

- ◆ Avant toutes opérations d'entretien ou réparations, débranchez l'appareil et laissez-le refroidir.

- ◆ Avant l'utilisation, vérifiez si l'appareil est en bon état ou si aucune pièce ne manque. Recherchez des pièces cassées, des boutons endommagés et d'autres anomalies susceptibles de nuire au bon fonctionnement de l'appareil.
- ◆ Vérifiez régulièrement l'état du fil électrique.
- ◆ N'utilisez pas l'appareil si une pièce est endommagée ou défectueuse.
- ◆ Faites réparer ou remplacer les pièces défectueuses ou endommagées par un réparateur agréé.
- ◆ Ne tentez jamais de retirer ou de remplacer des pièces autres que celles citées dans ce manuel.

Sécurité des personnes

- ◆ Cet appareil ne doit pas être utilisé par des personnes (y compris les enfants) ayant des déficiences physiques, mentales ou sensorielles. Cette consigne s'applique aussi aux personnes manquant d'expérience et de connaissance du matériel, à moins que celles-ci n'aient reçu les instructions appropriées ou qu'elles ne soient encadrées par une personne responsable de leur sécurité pour utiliser l'appareil.
- ◆ Ne laissez jamais les enfants sans surveillance pour éviter qu'ils ne jouent avec cet outil.

Risques résiduels.

L'utilisation d'un outil non mentionné dans les consignes de sécurité données peut entraîner des risques résiduels supplémentaires. Ces risques peuvent survenir si la machine est mal utilisée, si l'utilisation est prolongée, etc.

Malgré l'application des normes de sécurité requises et la présence de dispositifs de sécurité, certains risques résiduels ne peuvent être évités. Notamment :

- ◆ Les blessures dues au contact avec une pièce mobile.
- ◆ Les blessures dues au contact avec des pièces brûlantes.
- ◆ Les blessures survenues en changeant des pièces ou des accessoires.
- ◆ Les blessures dues à l'utilisation prolongée de l'appareil. Une utilisation prolongée de l'appareil nécessite des pauses régulières.

Sécurité électrique



Attention ! Cet appareil doit être relié à la terre. Vérifiez si l'alimentation mentionnée sur la plaque signalétique de l'outil correspond bien à la tension présente sur le lieu.

La fiche d'alimentation doit correspondre à la prise de courant. Ne modifiez en aucun cas la prise. Le respect de ces consignes réduit le risque de choc électrique.

- ◆ **Si le câble d'alimentation est endommagé, il doit être remplacé par le fabricant ou par un centre de réparation agréé Black & Decker pour éviter tout risque.**

Rallonges et produit de Classe 1

- ◆ **Un câble tripolaire doit être utilisé quand l'appareil est relié à la terre et de Classe 1.**
- ◆ **Une longueur de 30 m peut être utilisée sans perte de puissance.**

Étiquettes sur l'appareil

Les pictogrammes ci-dessous se trouvent sur l'appareil :



Attention ! Pour réduire le risque de blessures, l'utilisateur doit lire le manuel d'instructions.



Attention ! Risque de brûlures.

Éléments

Cet appareil présente la totalité ou une partie des caractéristiques suivantes :

1. Bouton marche/arrêt
2. Sélecteur Auto Select™
3. Réservoir d'eau démontable
4. Manche
5. Embout vapeur
6. Tampon de nettoyage à la vapeur
7. Tampon de nettoyage Delta
8. Support
9. Accessoire moquette
10. Crochet pour câble en bas
11. Crochet pour câble en haut
12. Dispositif de rangement de câble

Assemblage

Attention ! Avant d'exécuter ce qui suit, assurez-vous que l'appareil est éteint, débranché et que l'appareil est froid et ne contient pas d'eau.

Fixation du manche (figure A)

- ◆ Glissez l'extrémité du manche (4) en haut du boîtier du balai vapeur (13) jusqu'à ce qu'elle soit enclenchée.

Fixation de l'embout vapeur (figure B)

- ◆ Glissez l'extrémité inférieure du boîtier du balai vapeur (13) sur l'embout vapeur (5) jusqu'à ce qu'elle soit enclenchée.
- ◆ L'embout vapeur peut être retiré du boîtier du balai vapeur en appuyant sur le bouton de dégagement (14) sur le manche et en dégageant le boîtier du balai vapeur (13) de l'embout vapeur (5).

Fixation du récipient d'eau (figure C)

- ◆ Accrochez le récipient d'eau (3) sur le manche (4).
- ◆ Glissez le récipient d'eau (3) sur le boîtier du balai vapeur (13). Vérifiez l'installation.

Fixation d'un tampon nettoyeur (figure D)

Vous trouverez des tampons nettoyeurs chez votre revendeur Black & Decker (cat. n° FSMP20-XJ).

Tampon de nettoyage à la vapeur (cat. N° FSMP20-XJ).

Tampon de nettoyage Delta (cat. N° FSMP30-XJ (FSM1630 uniquement)).

- ◆ Placez un tampon nettoyeur (6 ou 7) au sol avec le système "hook & loop" vers le haut.
- ◆ Appuyez légèrement le balai vapeur sur le tampon nettoyeur (6 ou 7).

Attention ! À l'arrêt, placez toujours le balai nettoyeur sur le support (8) avec le manche (4) en position verticale et assurez-vous qu'il est éteint quand il n'est pas utilisé.

Retrait du tampon nettoyeur (figure E)

Attention ! Portez toujours des chaussures adaptées pour changer le tampon nettoyeur du balai vapeur. Ne portez pas de chaussons ou de sandalettes.

- ◆ Placez le manche (4) en position verticale et éteignez le balai vapeur.
- ◆ Placez le balai vapeur sur le support et attendez qu'il refroidisse (environ cinq minutes)
- ◆ Placez l'avant de votre chaussure sur la languette de dégagement du patin nettoyeur (15) et appuyez fermement dessus.
- ◆ Soulevez le balai vapeur pour dégager le tampon nettoyeur..

Attention ! À l'arrêt, placez toujours le balai nettoyeur sur le support (8) avec le manche (4) en position verticale et assurez-vous que le balai vapeur est éteint quand il n'est pas utilisé..

Fixation de l'accessoire moquette (figure F)

- ◆ Placez l'accessoire moquette sur le sol.
- ◆ Appuyez légèrement le balai vapeur sur l'accessoire moquette (9) jusqu'à ce qu'il soit enclenché.

Attention ! À l'arrêt, placez toujours le balai nettoyeur sur le support (8) avec le manche (4) en position verticale et assurez-vous que le balai vapeur est éteint quand il n'est pas utilisé..

Retrait de l'accessoire moquette (figure F)

Attention ! Portez toujours des chaussures adaptées pour changer l'accessoire moquette du balai vapeur. Ne portez pas de chaussons ou de sandalettes.

- ◆ Placez le manche (4) en position verticale et éteignez le balai vapeur.

- ◆ Placez le balai vapeur sur le support et attendez qu'il refroidisse (environ cinq minutes)
- ◆ Placez l'avant de votre chaussure sur la languette de dégagement de l'accessoire moquette (16) et appuyez dessus fermement.
- ◆ Soulevez le balai vapeur pour dégager l'accessoire moquette (9).

Attention ! À l'arrêt, placez toujours le balai nettoyeur sur le support (8) avec le manche (4) en position verticale et assurez-vous que le balai vapeur est éteint quand il n'est pas utilisé..

Embout Delta (figure G)

Ce balai vapeur est doté d'un embout Delta qui permet l'accès aux zones étroites et dans les coins.

Attention ! Portez toujours des chaussures adaptées pour utiliser l'embout Delta du balai vapeur. Ne portez pas de chaussons ou de sandalettes.

- ◆ Placez le manche (4) en position verticale et éteignez le balai vapeur.
- ◆ Placez le balai vapeur sur le support et attendez qu'il refroidisse (environ cinq minutes)
- ◆ Placez l'avant de votre chaussure sur la languette de dégagement de l'embout vapeur (18) et appuyez fermement dessus.
- ◆ Soulevez l'embout Delta (17) pour dégager l'embout vapeur (5).
- ◆ Installez le tampon de nettoyage Delta en bas de l'embout Delta.

Remarque : Retirez le tampon de nettoyage avant de réinstaller l'embout Delta sur l'embout vapeur..

- ◆ Pour réinstaller l'embout Delta, placez l'extrémité de l'embout Delta sur l'embout vapeur, puis appuyez fermement vers le bas pour bien enclencher l'embout Delta.

Attention ! À l'arrêt, placez toujours le balai nettoyeur sur le support (8) avec le manche (4) en position verticale et assurez-vous que le balai vapeur est éteint quand il n'est pas utilisé..

Remplissage du réservoir d'eau (figure H)

Le réservoir d'eau sur le balai à vapeur peut être retiré pour faciliter le remplissage.

Ce balai vapeur est doté d'un système anti-calcaire qui permet de prolonger la durée de vie du système.

Remarque : Remplissez le réservoir avec de l'eau du robinet.

Remarque : Dans les zones où l'eau est très calcaire, l'utilisation d'eau distillée est recommandée.

- ◆ Retirez le réservoir d'eau (3).
- ◆ Ouvrez le couvercle de remplissage (19) en appuyant sur le bouton de dégagement (20).
- ◆ Remplissez le réservoir d'eau (3) avec de l'eau.

Attention ! La capacité du réservoir d'eau est de 0.5 L. Ne remplissez pas trop le réservoir.

- ◆ Réinstallez le couvercle de remplissage (19).
- ◆ Réinstallez le réservoir d'eau (3).

Remarque : Vérifiez l'installation du couvercle de remplissage.

Utilisation

Important ! Cette unité va tuer 99,9% des bactéries et des germes lorsqu'il est utilisé conformément au présent manuel et avec le pad microfibre équipé et un fonctionnement continu de 90 secondes.

Mise en marche et arrêt

- ◆ Pour mettre l'appareil en marche, appuyez sur le bouton marche/arrêt (1). Le balai vapeur prend environ 15 secondes pour chauffer.

Remarque : Quand le balai vapeur est mis en marche, le réservoir d'eau s'allume en rouge. Quand il est prêt à être utilisé, le réservoir d'eau s'allume en bleu.

- ◆ Pour éteindre l'appareil, appuyez sur le bouton marche/arrêt (1).


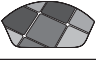

Attention ! Ne laissez jamais longtemps le balai vapeur au même endroit. À l'arrêt, placez toujours le balai nettoyeur sur le support (8) avec le manche (4) en position verticale et assurez-vous que le balai vapeur est éteint quand il n'est pas utilisé.

Attention ! Videz toujours le balai vapeur après l'utilisation.

Technologie Autoselect™ (figure J)

Ce balai vapeur est doté d'un sélecteur Autoselect™ (2) qui permet différentes applications de nettoyage. Elles permettent de sélectionner le mode de fonctionnement approprié au nettoyage que vous souhaitez.

Avec le sélecteur Autoselect™, choisissez une des applications suivantes en appuyant sur le sélecteur (2) pour obtenir le réglage approprié :

	Bois/Lamellé
	Pierre/Marbre
	Carrelage/Vinyle

Le balai vapeur sélectionne le volume de vapeur approprié au nettoyage choisi.

Remarque : Vérifiez toujours le réglage avant d'utiliser votre balai à vapeur. Le balai vapeur mémorise le dernier réglage choisi.

Jet de vapeur (figure I)

Le balai vapeur est doté d'un jet de vapeur permettant d'éliminer les tâches et les traces tenaces.

- ◆ Pendant l'utilisation, appuyez sur le bouton du jet de vapeur (21) pour appliquer plus de vapeur.

Remarque : Le jet de vapeur dure 10 secondes. Le réglage sélectionné se remet ensuite en place.

Conseils pour une utilisation optimale

Généralités

Attention ! N'utilisez jamais le balai vapeur sans avoir d'abord fixé un patin nettoyeur.

- ◆ Vous pouvez utiliser le dispositif de rangement de câble (11) pour éviter de laisser trop de câble à l'extérieur dans la zone de travail.
- ◆ Aspirez toujours ou balayez le sol avant d'utiliser le balai nettoyeur.
- ◆ Le moyen le plus simple d'utiliser l'appareil est d'incliner le manche de 45° et de nettoyer lentement par petites zones.
- ◆ N'utilisez pas de nettoyeurs chimiques avec le balai vapeur. Pour éliminer les taches qui résistent sur des sols en vinyle ou en lino, vous pouvez utiliser le jet de vapeur ou vous pouvez prétraiter avec un mélange détergent doux et eau avant d'utiliser le balai vapeur.

Nettoyage à la vapeur

- ◆ Placez un tampon nettoyeur (6 ou 7) au sol avec le système "hook & loop" vers le haut.
- ◆ Levez le balai vapeur du support (8) et installez-le sans forcer sur le patin nettoyeur (6 ou 7).
- ◆ Placez le balai vapeur sur le support.
- ◆ Branchez le balai vapeur au secteur.
- ◆ Appuyez sur le bouton marche/arrêt (1). Le balai vapeur prend environ 15 secondes pour chauffer.
- ◆ Appuyez sur le sélecteur Autoselect™ (2) pour obtenir la position désirée.
- ◆ En tirant sur le manche (4), la pompe à vapeur s'active. Après quelques secondes, la vapeur se forme et est évacuée de l'embout.
- ◆ La vapeur prend quelques secondes pour atteindre le patin nettoyeur. Le balai vapeur peut alors glisser facilement sur la surface à désinfecter/nettoyer.
- ◆ Poussez lentement d'avant en arrière le balai vapeur sur le sol pour nettoyer à fond.

Remarque : Pendant le nettoyage, vous pouvez arrêter la pompe à vapeur en replaçant le manche en position verticale. Vous pourrez ainsi placer le balai vapeur sur le support pendant un court instant afin de déplacer les meubles, puis continuer à nettoyer sans avoir à éteindre l'appareil.

- ◆ Une fois terminé, placez le manche (4) en position verticale et éteignez l'appareil. Placez-le sur le support (8) et attendez jusqu'à ce que le balai vapeur soit refroidi. (environ cinq minutes)

Attention ! Il est important de surveiller le niveau d'eau dans le réservoir. Pour remplir d'eau et continuer à nettoyer/désinfecter, placez le manche (4) en position verticale et éteignez le balai vapeur. Débranchez l'appareil de la prise, retirez le réservoir d'eau (3) pour le remplir.

Attention ! Ne laissez jamais longtemps le balai vapeur au même endroit. À l'arrêt, placez toujours le balai nettoyeur sur le support (8) avec le manche (4) en position verticale et assurez-vous que le balai vapeur est éteint quand il n'est pas utilisé.

Rafraîchissement de moquette

- ◆ Placez un tampon nettoyeur (6 ou 7) au sol avec le système "hook & loop" vers le haut.
- ◆ Levez le balai vapeur du support (8) et installez-le sans forcer sur le patin nettoyeur (6 ou 7).
- ◆ Placez l'accessoire moquette (9) sur le sol.
- ◆ Appuyez légèrement le balai vapeur sur l'accessoire moquette (9) jusqu'à ce qu'il soit enclenché.
- ◆ Placez le balai vapeur sur le support. (8)
- ◆ Branchez le balai vapeur au secteur.
- ◆ Appuyez sur le bouton marche/arrêt (1). Le balai vapeur prend environ 15 secondes pour chauffer.
- ◆ Appuyez sur le sélecteur Autoselect™ (2) pour obtenir la position Bois/Lamellé.
- ◆ En tirant sur le manche (4), la pompe à vapeur s'active. Après quelques secondes, la vapeur se forme et est évacuée de l'embout.
- ◆ Poussez et tirez lentement le balai vapeur sur la moquette pour nettoyer à fond.

Remarque : Pendant le nettoyage, vous pouvez arrêter la pompe à vapeur en replaçant le manche (4) en position verticale. Vous pourrez ainsi placer le balai vapeur sur le support (8) afin de déplacer les meubles sans avoir à éteindre l'appareil.

- ◆ Une fois terminé, placez le manche (4) en position verticale et éteignez l'appareil. Placez-le sur le support (8) et attendez jusqu'à ce que le balai vapeur soit refroidi. (environ cinq minutes)

Attention ! Il est important de surveiller le niveau d'eau dans le réservoir. Pour remplir d'eau et continuer à nettoyer/désinfecter, placez le manche (4) en position verticale et éteignez le balai vapeur. Débranchez l'appareil de la prise, retirez le réservoir d'eau (3) pour le remplir.

Attention ! Ne laissez jamais longtemps le balai vapeur au même endroit. À l'arrêt, placez toujours le balai nettoyeur sur le support (8) avec le manche (4) en position verticale et assurez-vous que le balai vapeur est éteint quand il n'est pas utilisé.

Après l'utilisation (figures J et K)

- ◆ Retournez le manche (4) en position verticale et éteignez le balai vapeur.
- ◆ Placez le balai vapeur sur le support (8) et attendez qu'il refroidisse (environ cinq minutes)
- ◆ Débranchez le balai vapeur de la prise murale.
- ◆ Videz le réservoir (3).
- ◆ Retirez le patin nettoyeur (6 ou 7) et lavez-le pour le trouver propre à la prochaine utilisation (prenez soin de suivre les instructions de nettoyage imprimées sur le patin nettoyeur).
- ◆ Entourez le fil électrique autour des crochets (10 et 11).

Remarque : Le crochet du haut (11) pivote pour dégager facilement le fil.

- ◆ Coincez le fil au niveau de la prise dans la pince (22) prêt du récipient.
- ◆ Pour le ranger, placez le balai vapeur (8) sur le support.

Remarque : Avec le manche (4) en position verticale, le fil enroulé correctement autour des crochets (10 et 11) et accroché sur la pince (22), votre balai vapeur est prêt à être rangé. Il existe aussi un crochet (23) sur la poignée (24) qui permet de suspendre le balai vapeur à un crochet mural. Vérifiez que le crochet mural peut supporter le poids du balai vapeur.

Nettoyage et entretien

Votre appareil Black & Decker a été conçu pour fonctionner pendant longtemps avec un minimum d'entretien. Un fonctionnement continu satisfaisant dépend d'un nettoyage régulier et d'un entretien approprié de l'appareil.

Attention ! Avant d'effectuer des réparations ou un nettoyage de l'appareil, éteignez-le et débranchez-le.

- ◆ Nettoyez régulièrement l'appareil à l'aide d'un chiffon doux humide.
- ◆ Pour les taches résistantes, vous pouvez utiliser un mélange d'eau et de savon imbibé sur un chiffon.

Entretien des patins nettoyeurs

Instructions – Pas d'assouplissant – Doit être parfaitement sec avant d'être réutilisé.

Attention ! Suivez les instructions de nettoyage imprimées sur l'étiquette du patin nettoyeur.

Remplacement des prises secteur (RU et Irlande uniquement)

Si une nouvelle prise secteur doit être installée :

- ◆ Mettez au rebut la vieille prise.
- ◆ Branchez le fil brun dans la borne de la nouvelle prise.
- ◆ Branchez le fil bleu à la borne neutre.
- ◆ Branchez le fil vert/jaune à la borne de terre.

Attention ! Suivez les instructions de montage fournies avec les prises de bonne qualité. Fusibles recommandés : 13 A.

Protection de l'environnement



Recyclage. Cet outil ne doit pas être jeté avec les déchets ménagers.

Si votre appareil/outil Black & Decker doit être remplacé ou si vous ne l'utilisez plus, ne le jetez pas avec les ordures ménagères. Songez à la protection de l'environnement et recyclez-le.



La collecte séparée des produits et des emballages usagés permet de recycler et de réutiliser des matériaux. La réutilisation de matériaux recyclés évite la pollution de l'environnement et réduit la demande de matières premières.

Des réglementations locales peuvent stipuler la collecte séparée des produits électriques et des produits ménagers, dans des déchetteries municipales ou par le revendeur lorsque vous achetez un nouveau produit.

Black & Decker offre une solution permettant de recycler les produits Black & Decker lorsqu'ils ont atteint la fin de leur cycle de vie. Pour pouvoir profiter de ce service, veuillez retourner votre produit à un réparateur agréé qui se chargera de le collecter pour nous.

Pour connaître l'adresse du réparateur agréé le plus proche de chez vous, contactez le bureau Black & Decker à l'adresse indiquée dans ce manuel. Vous pourrez aussi trouver une liste de réparateurs agréés Black & Decker et de plus amples détails sur notre service après-vente sur le site Internet à l'adresse suivante : www.2helpU.com

Caractéristiques techniques

		FSM1630 (Type 1)
Tension	V _{ac}	230
Puissance	W	1600
Volume du réservoir	ml	500
Poids	kg	2.7

Garantie

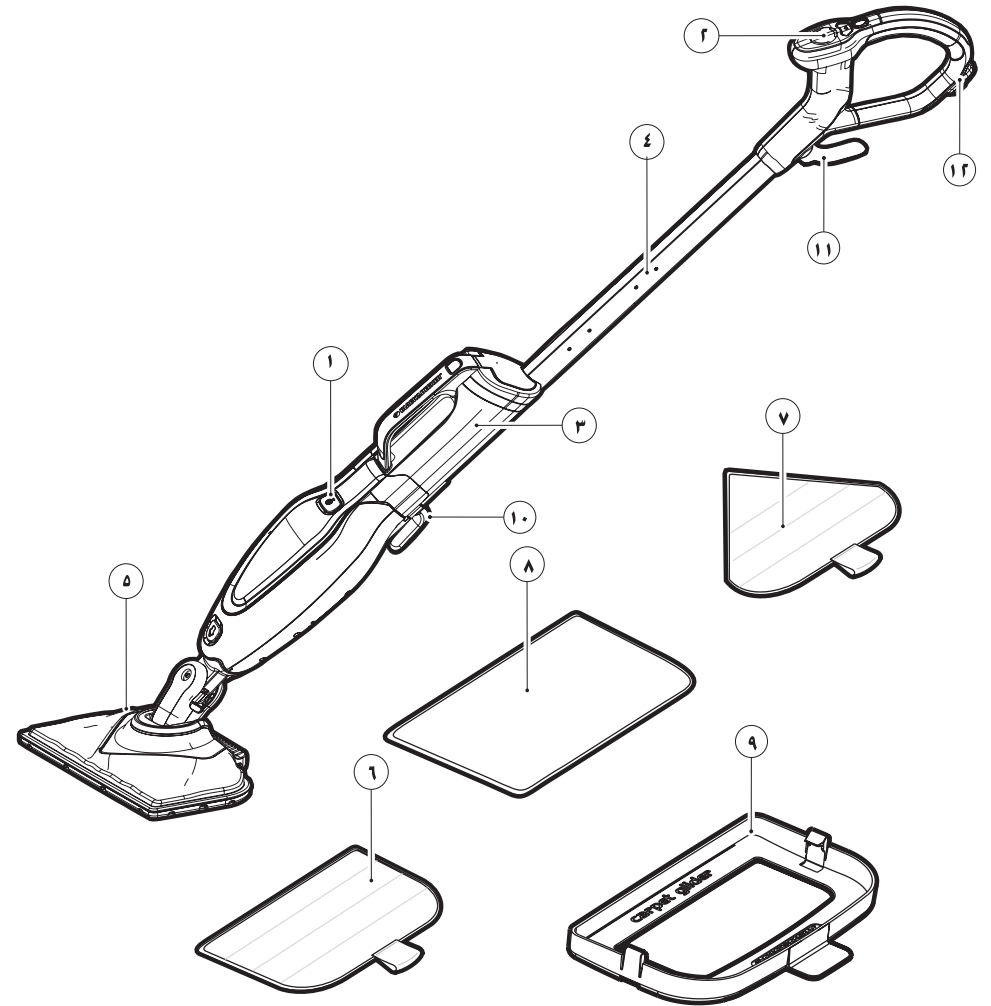
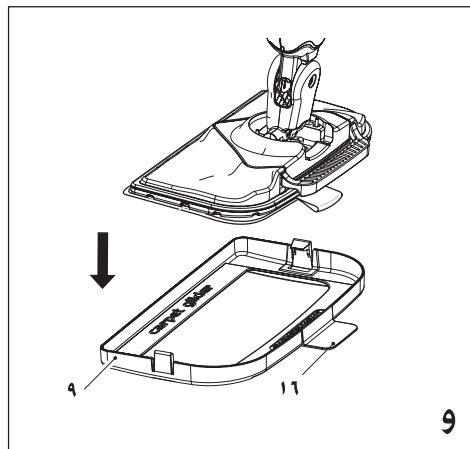
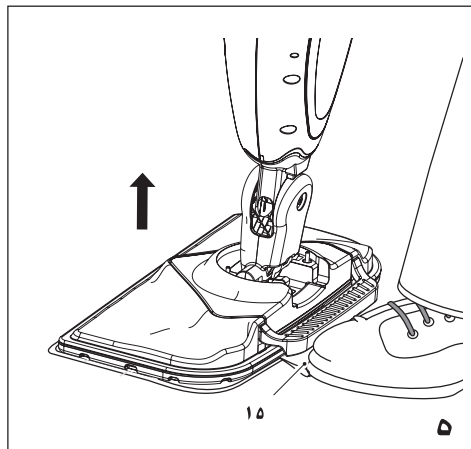
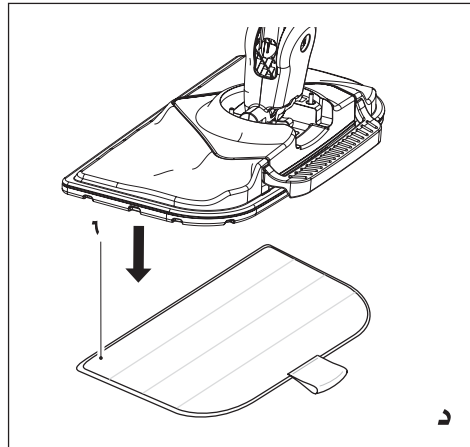
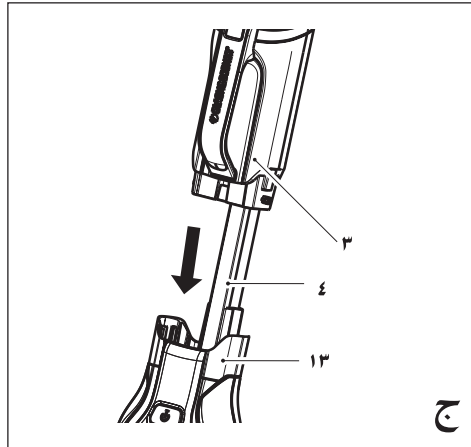
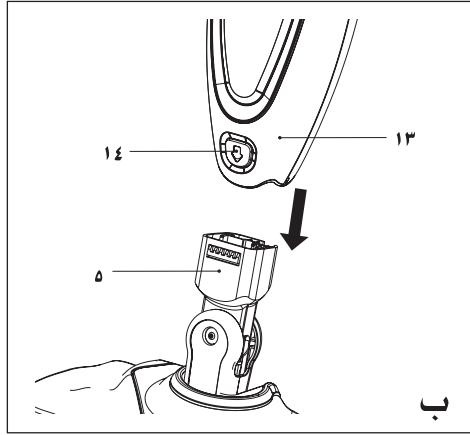
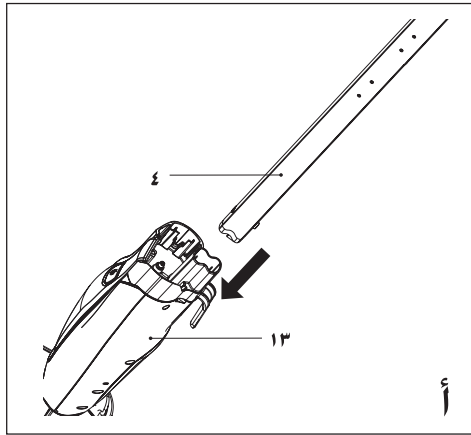
Black & Decker vous offre une garantie très élargie ainsi que des produits de qualité. Ce certificat de garantie est un document supplémentaire et ne peut en aucun cas se substituer à vos droits légaux. La garantie est valable sur tout le territoire des États Membres de l'Union Européenne et de la Zone de Libre Échange Européenne.

Si un produit Black & Decker s'avère défectueux en raison de matériaux en mauvaises conditions, d'une erreur humaine, ou d'un manque de conformité dans les 24 mois suivant la date d'achat, Black & Decker garantit le remplacement des pièces défectueuses, la réparation des produits usés ou cassés ou remplace ces produits à la convenance du client, sauf dans les circonstances suivantes :

- ◆ Le produit a été utilisé dans un but commercial, professionnel, ou a été loué;
- ◆ Le produit a été mal utilisé ou utilisé avec négligence;
- ◆ Le produit a subi des dommages à cause d'objets étrangers, de substances ou à cause d'accidents;
- ◆ Des réparations ont été tentées par des techniciens ne faisant pas partie du service technique de Black & Decker.

Pour avoir recours à la garantie, il est nécessaire de fournir une preuve d'achat au vendeur ou à un réparateur agréé. Pour connaître l'adresse du réparateur agréé le plus proche de chez vous, contactez le bureau Black & Decker à l'adresse indiquée dans ce manuel. Vous pourrez aussi trouver une liste de réparateurs agréés Black & Decker et de plus amples détails sur notre service après-vente sur le site Internet à l'adresse suivante : www.2helpU.com

Visitez notre site Web www.blackanddecker.fr pour enregistrer votre nouveau produit Black & Decker et être informé des nouveaux produits et des offres spéciales. Pour plus d'informations concernant la marque Black & Decker et notre gamme de produits, consultez notre site www.blackanddecker.fr



استخدامات الجهاز

- لا تسحب الشريط الكهربائي لفصل الجهاز عن المنفذ الكهربائي. احفظ الجهاز بعيداً عن الحرارة والزيت والحواف الحادة.
- لا تتداول فرشاة التنظيف البخارية بأيدي مبللة.
- لا تسحب الجهاز أو تحمله من شريطه الكهربائي، ولا تستخدم الشريط كمقبض، ولا تغلق الباب على الشريط، ولا تقم بسحب الشريط على الزوايا الحادة أو تضعه على الأسطح الساخنة.

إرشادات السلامة

- لا تستخدم الجهاز في الأماكن المغلقة المليئة بالبخار الناتج عن مبيعات الدهان زيتية القوام أو المواد المضادة للعث أو الغيار القابل للاشتعال أو غيرها من الأبخرة المتفجرة أو السامة.

- تحقق من نوعية الأرضية من الشركة المصنعة.

- لا تستخدم الجهاز لتنظيف المواد الجلدية أو قطع الأثاث أو الأبواب المصقولة بالشمع، أو الأنسجة الصناعية أو المخمل أو غيرها من المواد الناعمة والحساسة للبخار.

- تحذيراً! لا تستخدم الجهاز لتنظيف الخشب غير المصقول أو أرضيات الصفائح غير المصقولة. وفيما يخص الأسطح المعالجة بالشمع أو بعض الأرضيات غير الشمعية، يمكن أن يزال البريق بتأثير الحرارة وتميرير البخار عليها من الجهاز. ويوصى بشكل دائم باختبار منطقة منعزلة من السطح للتنظيف قبل إكمال العملية. كما نوصي بالتحقق من تعليمات الاستخدام والعناية من الشركة المصنعة للسطح.

- لا تضع أبداً أية مواد مزيله للترسبات أو عطرية أو كحولية أو منظفة في فرشاة التنظيف البخارية حيث يمكن أن تلحق ضرراً بالجهاز أو تجعله غير آمن للاستخدام.

- في حال تفعيل القاطع الكهربائي لدى استخدام وظيفة البخار، افصل الجهاز مباشرة عن مصدر الطاقة واتصل بمركز دعم العملاء (احذر خطر حدوث صدمة كهربائية).

تم تصميم هذه المسحة البخارية من قبل بلاك أند ديكر لتطهير وتنظيف الأسطح الخشبية الكتيمة والصفائح الكتيمة والأسطح المصنوعة من الليتولوم والفينيل والسيراميك والأرضيات المصنوعة من الحجر والرخام ولتمسيد وتنظيف السجاد. هذا الجهاز مصمم للاستخدام المنزلي فقط.

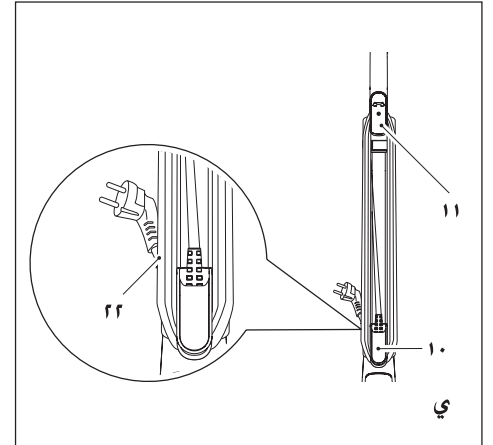
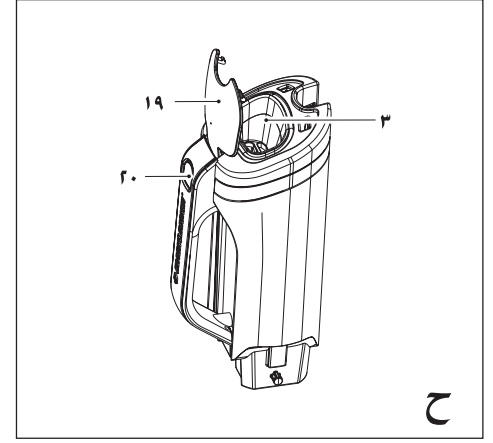
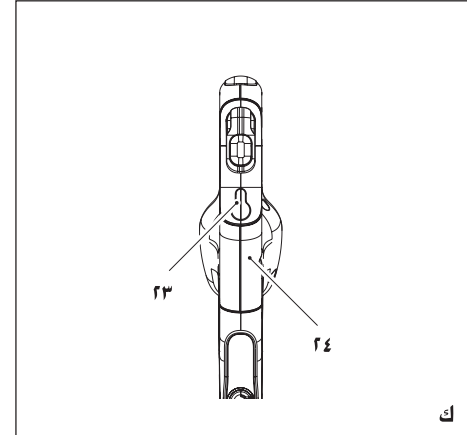
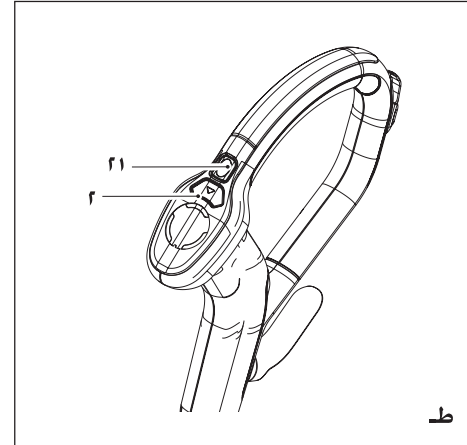
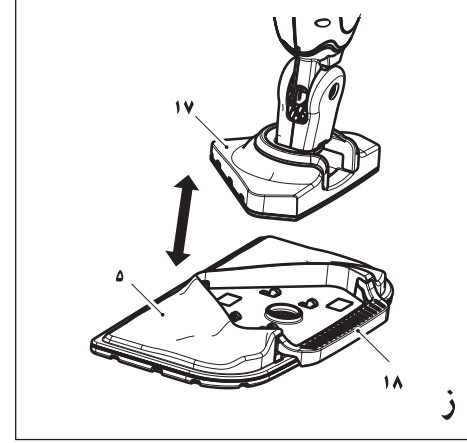
تحذيراً! يرجى قراءة جميع تحذيرات وإرشادات السلامة. يمكن أن ينجم عن عدم اتباع التحذيرات والإرشادات المذكورة أدناه حدوث صدمات كهربائية أو اندلاع النيران و/أو وقوع إصابات خطيرة.

تحذيراً! ينبغي لدى استخدام الأجهزة المتصلة بمصادر تغذية كهربائية اتخاذ جميع احتياطات السلامة الأساسية بما في ذلك المذكورة أدناه وذلك للتقليل من خطر اندلاع النيران أو حدوث صدمات كهربائية أو إصابات شخصية وأضرار مادية.

- يرجى قراءة تعليمات الدليل بعناية قبل استخدام الجهاز.
- استخدامات الجهاز مفصلة بالكامل في هذا الدليل. إن استخدام أي من ملحقات الجهاز أو إجراء أي عملية مخالفة لتلك المذكورة في دليل الإرشادات يمكن أن ينجم عنه خطر وقوع إصابات شخصية.
- احتفظ بهذا الدليل للرجوع إليه مستقبلاً.

تعليمات استخدام الجهاز

- لا توجه البخار بشكل مباشر إلى الأفراد أو الحيوانات أو الأجهزة أو منافذ الطاقة الكهربائية.
- لا تعرض الجهاز للمطر.
- لا تغمر الجهاز بالماء.
- لا تترك الجهاز دون مراقبة.
- لا تترك الجهاز موصولاً بمصدر الطاقة عند عدم استخدامه.



- ينفذ الجهاز بخاراً مرتفع الحرارة لتعقيم المنطقة التي يتم تنظيفها. وهذا يعني ارتفاع حرارة الرأس البخاري ووسائل التنظيف ووصلة تنظيف السجاد لدى استخدام الجهاز.
- تنبيه! ارتد دائماً أحذية ملائمة لدى استخدام المسحة البخارية واستبدال ملحقاتها. لا تقم بارتداء الشيشب أو أية نعال مكشوفة الأصابع لدى استبدال الوسادة.
- يمكن أن تصبح أهداب الوسائد ساخنة خلال الاستخدام.
- يمكن أن يتسرب البخار من الجهاز لدى استخدامه.
- ينبغي الانتباه لدى استخدام الجهاز. لا تلمس أية أجزاء يمكن أن تكون ساخنة لدى الاستخدام.
- أطفئ الجهاز وأبّر المقبض للوضعية العمودية قبل نزع خزان المياه.
- في حال ملاحظة وجود تسرب في البخار من هيكل فرشاة التنظيف البخارية اليدوية، أطفئ الجهاز وافصله عن وحدة التغذية الكهربائية واتركه حتى يبرد. اتصل بأقرب وكيل صيانة معتمد. أوقف استخدام الجهاز.

تعليمات ما بعد الاستخدام


- افصل الجهاز واتركه حتى يبرد.
- ينبغي تخزين الجهاز في مكان جاف عند عدم استخدامه.
- ينبغي بقاء الأطفال بعيداً عن مكان حفظ الجهاز.

الفحص والإصلاح

- افصل الجهاز عن مصدر الطاقة واتركه حتى يبرد قبل إجراء أية صيانة أو إصلاح.
- قبل استخدام الجهاز، تحقق من عدم وجود أجزاء متضررة أو معطوبة. تحقق من عدم وجود كسور في أجزائه أو أضرار في أزراره أو أية ظروف أخرى يمكن أن تؤثر في تشغيله.

- الإصابات الناجمة لدى استبدال أي من أجزاء الجهاز أو ملحقاته.
- الإصابات الناجمة عن الاستخدام المُطوّل لدى استخدام أية جهاز لمدة مُطوّلة تأكد من إيقاف استخدامه لفترات منتظمة.

السلامة الكهربائية

 تحذير! يجب تأريض هذا الجهاز. تحقق بشكل دائم من أن جهد مصدر الطاقة مطابق للجهد الكهربائي على المؤشر.

يجب أن تتلاءم الوصلات الكهربائية للجهاز مع منفذ الطاقة. لا تقم بإجراء تعديل على مأخذ الطاقة بأي حال من الأحوال. سينخفض خطر وقوع صدمة كهربائية من خلال استخدام مأخذ الطاقة غير المعدلة وصلات الطاقة المطابقة.


- في حال تضرر الوصلة الكهربائية، يجب استبدالها من قبل الشركة المصنعة أو مركز خدمات شركة بلاك أند ديكر لتفادي حصول أية مخاطر.


كابلات التوصيل ومُنْتَج الصنف الأول

- يجب استخدام كابل ثلاثي المسالك كون الجهاز مؤرّض وبنيته من الصنف الأول.
- يمكن استخدام كابل توصيل بطول ٣٠ متر (١٠٠ قدم) دون حصول فقد في الطاقة.

بطاقات تعريف الجهاز

تظهر على الجهاز الصور التوضيحية التالية:

 تحذير! لتخفيض خطر الإصابة، يجب على المستخدم قراءة دليل الإرشادات.

 تحذير! خطر الإصابة بحروق.

الخصائص

يشتمل هذا الجهاز على بعض أو جميع الخصائص التالية.

١ زر التشغيل/الإطفاء (ON/OFF)

٢ مفتاح الاختيار التلقائي (Autoselect™)

٣ خزان ماء قابل للفك والتركيب

٤ مقبض

٥ رأس بخاري

٦ وسادة تنظيف الرأس البخاري

٧ وسادة تنظيف برأس دلتا الشكل

٨ لباداة استناد

٩ وسادة تنظيف السجاد

١٠ مشبك حزم الوصلات السفلية

١١ مشبك حزم الوصلات العلوية

١٢ مشبك إدارة الوصلات الكهربائية

تجميع الجهاز

تحذير! قبل محاولة تشغيل الجهاز حسب التعليمات أدناه، تأكد من إطفائه وفصله عن مصدر الطاقة بالإضافة إلى برودته وخلوه من الماء.

طريقة توصيل المقبض (الشكل أ)

- زلّق النهاية السفلية للمقبض (٤) في النهاية العليا لهيكل المسحة البخارية (١٣) حتى يستقر المقبض في مكانه.

طريقة توصيل الرأس البخاري (الشكل ب)

- زلّق النهاية السفلية لهيكل المسحة البخارية (١٣) على الرأس البخاري (٥) حتى يستقر في مكانه.

- يمكن إزالة الرأس البخاري من هيكل الممسحة البخارية من خلال ضغط زر تحرير الرأس البخاري (١٤) ونزع هيكل الممسحة البخارية (١٣) عن الرأس البخاري (٥).

طريقة توصيل وعاء المياه (الشكل ج)

- ثبت وعاء المياه (٣) بمشبكه إلى المقبض (٤).
- رَلِّق وعاء المياه (٣) على هيكل الممسحة البخارية (١٣)، تأكد من تثبيت وعاء المياه بشكل محكم.

طريقة توصيل وسادة التنظيف (الشكل د)

- يمكن استبدال وسادات التنظيف المتوفرة لدى الوكيل المعتمد لشركة بلاك أند ديكر: - (الصفحة رقم FSMP20-XJ).

وسادة تنظيف الرأس البخاري - (الصفحة رقم FSMP20-XJ).

وسادة تنظيف برأس دلتا - (الصفحة رقم FSMP30-XJ (FSM1630).

- ضع وسادة التنظيف (٦ أو ٧) على الأرض مع استدارة جانب التثبيت نحو الأعلى.
- اضغط الممسحة البخارية بلطف باتجاه وسادة التنظيف (٦ أو ٧).

تنبيه! ضع دائماً الممسحة البخارية على لبادة الاستناد (٨) بحيث يكون المقبض (٤) بوضعية عمودية لدى الإيقاف وتأكد من إطفاء الممسحة البخارية عند عدم استخدامها.

طريقة إزالة وسادة التنظيف (الشكل هـ)

تنبيه! ارتد دائماً أحذية ملائمة لدى استبدال وسادة التنظيف على الممسحة البخارية. لا تقم بارتداء الشبشب أو أية نعال مكشوفة الأصابع لدى استبدال الوسادة.

- أعد المقبض (٤) إلى الوضعية العمودية وأطفئ الممسحة البخارية بوضعية الزر (OFF).
- ضع الممسحة البخارية على لبادة الاستناد وانتظر حتى تبرد. (حوالي ٥ دقائق)

- ضع مقدمة حذائك على مقبض إزالة وسادة التنظيف (١٥) وأصغط للأسفل بشدة.
- ارفع الممسحة البخارية عن وسادة التنظيف.

تنبيه! ضع دائماً الممسحة البخارية على لبادة الاستناد (٨) بحيث يكون المقبض (٤) بوضعية عمودية لدى الإيقاف وتأكد من إطفاء الممسحة البخارية عند عدم استخدامها.

طريقة توصيل وسادة تنظيف السجاد (الشكل و)

- ضع وسادة تنظيف السجاد على الأرضية.
- اضغط الممسحة البخارية بلطف للأسفل نحو وسادة تنظيف السجاد (٩) حتى تستقر في مكانها.

تنبيه! ضع دائماً الممسحة البخارية على لبادة الاستناد (٨) بحيث يكون المقبض (٤) بوضعية عمودية لدى الإيقاف وتأكد من إطفاء الممسحة البخارية عند عدم استخدامها.

طريقة إزالة وسادة تنظيف السجاد (الشكل و)

تنبيه! ارتد دائماً أحذية ملائمة لدى استبدال وسادة التنظيف على الممسحة البخارية. لا تقم بارتداء الشبشب أو أية نعال مكشوفة الأصابع.

- أعد المقبض (٤) إلى الوضعية العمودية وأطفئ الممسحة البخارية بوضعية الزر (OFF).
- ضع الممسحة البخارية على لبادة الاستناد وانتظر حتى تبرد. (حوالي ٥ دقائق)
- ضع مقدمة حذائك على مقبض إزالة وسادة تنظيف السجاد (١٦) وأصغط للأسفل بشدة.
- ارفع الممسحة البخارية عن وسادة تنظيف السجاد (٩).

تنبيه! ضع دائماً الممسحة البخارية على لبادة الاستناد (٨) بحيث يكون المقبض (٤) بوضعية عمودية لدى الإيقاف وتأكد من إطفاء الممسحة البخارية عند عدم استخدامها.

طريقة تركيب الرأس دلتا الشكل (الشكل ز)

- أنزع خزان الماء (٣).
- ارفع غطاء المخزن (١٩) لفتحه.
- املاً خزان الماء (٣).

تنبيه! ارتد دائماً أحذية ملائمة لدى تركيب رأس الدلتا إلى الممسحة البخارية. لا تقم بارتداء الشبشب أو أية نعال مكشوفة الأصابع.

- أعد المقبض (٤) إلى الوضعية العمودية وأطفئ الممسحة البخارية بوضعية الزر (OFF).
- ضع الممسحة البخارية على لبادة الاستناد وانتظر حتى تبرد. (حوالي ٥ دقائق)

ضع الممسحة البخارية على لبادة الاستناد وانتظر حتى تبرد. (حوالي ٥ دقائق)

ضع مقدمة حذائك على مقبض إزالة الرأس البخاري (١٨) واضغط للأسفل بشدة.

- ارفع رأس الدلتا (١٧) عن الرأس البخاري (٥).
- رَكِّب وسادة تنظيف رأس الدلتا أسفل الدلتا.

ملاحظة: قم بإزالة وسادة التنظيف قبل إعادة تركيب رأس الدلتا على الرأس البخاري.

- لإعادة تركيب رأس الدلتا، ضع طرف رأس الدلتا على الرأس البخاري ثم اضغط للأسفل بشدة للتأكد من استقرار رأس الدلتا في موضعه.

تنبيه! ضع دائماً الممسحة البخارية على لبادة الاستناد (٨) بحيث يكون المقبض (٤) بوضعية عمودية لدى الإيقاف وتأكد من إطفاء الممسحة البخارية عند عدم استخدامها.

طريقة ملء خزان الماء (الشكل ح)

خزان الماء للممسحة البخارية قابل للإزالة وذلك لتوفير سهولة ومرونة لدى تزويده بالمياه.

هذه الممسحة البخارية مزودة بنظام مانع للتكلس لإطالة عمر الجهاز.

ملاحظة: يرجى ملء خزان الماء من صنوبر مياه نظيفة.

ملاحظة: في المناطق ذات المياه عالية نسبة المعادن، يوصى باستخدام الماء المقطر.

- تحذيراً! يستوعب خزان الماء ٠,٥ لتر من الماء. لا تملأ الخزان أكثر من قدرة استيعابه.
- أعد إغلاق غطاء المخزن (١٩).
- أعد تركيب خزان الماء (٣).

ملاحظة: تحقق من إغلاق غطاء الخزان بشكل محكم.

الاستخدام

ملاحظة هامة! يقضي الجهاز على ٩٩,٩٪ من البكتريا والجراثيم لدى استخدامه وفقاً لإرشادات دليل الاستخدام واستعمال وسادة الألياف الدقيقة وتشغيله لمدة ٩٠ ثانية متواصلة.

تشغيل وإطفاء الجهاز

- لتشغيل الجهاز، اضغط زر التشغيل/الإطفاء (ON/OFF) (١)، وستسخن الممسحة البخارية خلال ١٥ ثانية.

ملاحظة: سيُضيء خزان الماء باللون الأحمر عند بداية تشغيل الممسحة البخارية. وعندما تصبح الممسحة البخارية جاهزة للاستعمال سيُضيء المخزن باللون الأزرق.

- ولإطفاء الجهاز اضغط زر الإطفاء/التشغيل (ON/OFF) (١).

تنبيه! لا تترك الممسحة البخارية في نقطة واحدة على أية سطح لأية مدة زمنية.

ضع دائماً الممسحة البخارية على لبادة الاستناد (٨) بحيث يكون المقبض (٤) بوضعية عمودية لدى الإيقاف وتأكد من إطفاء الممسحة البخارية عند عدم استخدامها.

تنبيه! أفرغ الممسحة البخارية دائماً بعد الاستخدام.

تقنية الاختيار التلقائي (™Autoselect) (الشكل ي)

هذه الممسحة البخارية مزودة بمفتاح للاختيار التلقائي (٢) يوفر تطبيق وضعيات عديدة للتنظيف. ويمكن استخدامها لاختيار نمط التشغيل الصحيح لدى إجرائكم التنظيف.

ومن خلال استخدام مفتاح الاختيار التلقائي (٢)، اختر تطبيق واحدة من الوضعيات التالية من خلال الضغط على مفتاح الاختيار التلقائي (٢) حتى يتم اختيار الإعدادات المطلوبة:



وستقوم الممسحة البخارية باختيار كمية البخار المطلوبة لوضعية التنظيف الخاصة بكم.

ملاحظة: تأكد دائماً من استخدام الإعدادات الصحيحة قبل استخدام الممسحة البخارية. ولتوفير مزيد من الراحة لكم ستحتفظ ذاكرة الممسحة البخارية بالإعدادات الأخيرة التي تم اختيارها.

طريقة استخدام زر نفث البخار (الشكل ط)

الممسحة البخارية مزودة بزر لنفث البخار للمساعدة في إزالة البقع والبقايا المستعصية.

• خلال الاستخدام، اضغط زر نفث البخار (٢١) لإضافة مزيد من قوة التنظيف.

ملاحظة: يستمر نفث البخار لمدة ١٠ ثواني ثم تعود الممسحة البخارية إلى وضعية الإعدادات التي تم اختيارها قبلاً.

إرشادات الاستخدام الأمثل للجهاز

إرشادات عامة

تنبيه! لا تستخدم الممسحة البخارية قبل توصيل وسادة التنظيف.

- خلال استخدام الممسحة البخارية يمكنك استخدام مشبك إدارة الوصلات الكهربائية (١١) لإبقاء الوصلات بعيداً عن منطقة التنظيف.
- دائماً نظف الأرضية بالمكنسة الكهربائية أو امسحها قبل استخدام الممسحة البخارية.
- الطريقة الأسهل لاستخدام الممسحة البخارية هو إمالة المقبض بزواوية ٤٥ درجة والتنظيف ببطء لمنطقة محدودة في المرة الواحدة من التنظيف.
- لا تستخدم المنظفات الكيماوية لدى استخدام الممسحة البخارية. لإزالة البقع المستعصية عن الفينيل أو أبواب اللينوليوم، يمكنك استخدام زر نفث البخار لتطبيق المزيد من البخار على المنطقة أو يمكنك استخدام مادة منظفة مخففة وقليل من الماء قبل استخدام الممسحة البخارية.

طريقة التنظيف البخاري

- ضع وسادة التنظيف (٦ أو ٧) على الأرض مع استدارة جانب التثبيت نحو الأعلى.
- ارفع الممسحة البخارية عن لباداة الاستناد (٨) واضغط بلطف على وسادة التنظيف (٦ أو ٧).
- ضع وسادة تنظيف السجاد (٩) على الأرضية.
- ضع الممسحة البخارية على لباداة الاستناد. (٨)
- قم بوصل الممسحة البخارية إلى المأخذ الكهربائي.
- اضغط زر التشغيل/الإطفاء (١). وخلال ١٥ ثانية ستسخن الممسحة البخارية.
- اضغط مفتاح الاختيار التلقائي (™Autoselect) (٢) واضبطه على وضعية الاختيار خشب/ألواح.
- يتم تشغيل مضخة البخار من خلال سحب المقبض (٤) للخلف. وبعد عدة ثواني سيبدأ البخار بالانبعاث من الرأس البخاري.
- وخلال عدة ثواني يدخل البخار إلى وسادة التنظيف. ويمكن عندها سحب الممسحة البخارية بسهولة على السطح لتنظيفه/تعقيمه.

تعليمات الغسيل المطبوعة على بطاقة المعلومات الخاصة بوسادة التنظيف).

- وصّب وصلات التغذية الكهربائية ولفها على مشابك حزم الوصلات (١٠ و ١١).

ملاحظة: دَوِّر مشبك حزم الكابلات العلوية (١١) من أجل سهولة تحريره واستخدامه في المرات القادمة.

- اشبك وصلة التغذية الكهربائية على الوصلة نفسها من خلال استخدام مشبك حزم الوصلات (٢٢) القريب من منفذ التغذية.

- ضع الممسحة البخارية على لباداة الاستناد (٨) لحفظها.

ملاحظة: مع ترك المقبض (٤) بوضعية عمودية، وكابل التوصيل الكهربائي ملتف بانتظام حول مشابك حزم الوصلات (١٠ و ١١) ومُوَمَّن بمشبك حزم الوصلات (٢٢)، تكون الممسحة البخارية جاهزة للتخزين. وكبدل عن ذلك، يتوفر حامل متدلي (٢٣) مدمج مع قبضة اليد (٢٤) يتيح تعليق الممسحة البخارية على الحائط. تأكد دائماً من أن المشبك المثبت على الجدار قادرة على تحمل وزن الممسحة البخارية بشكل آمن.

الصيانة والتنظيف

قامت شركة بلاك أند ديكر بتصميم هذا الجهاز الكهربائي ليعمل لأطول فترة من الزمن وبأقل صيانة ممكنة له. ويعتمد التشغيل المرضي والمتواصل للجهاز على العناية المناسبة به وتنظيفه بشكل منتظم.

تحذيراً! قبل إجراء أية صيانة أو تنظيف للجهاز الكهربائي، أطفئ الجهاز وافصله عن مصدر الطاقة.

- امسح الجهاز باستخدام قطعة قماش رطبة.
- لإزالة البقع المستعصية يمكن استخدام الصابون المخفف مع الماء لترطيب قطعة القماش المستعملة.

ملاحظة: خلال استخدام الممسحة البخارية، يمكن إطفاء مضخة البخار من خلال إدارة المقبض بوضعية عمودية، حيث تتيح هذه الميزة الخاصة وضع الممسحة البخارية على لباداة الاستناد لفترة قصيرة يمكن خلالها تحريك قطعة الأثاث ثم مواصلة التنظيف دون الحاجة إلى إطفاء الجهاز.

- لدى انتهائك من استخدام الممسحة البخارية، أعد المقبض (٤) إلى الوضعية العمودية وأطفئ الممسحة بوضعية الزر (OFF) ثم ضعها على لباداة الإستناد (٨) وانتظر حتى تبرد. (حوالي ٥ دقائق)

تنبيه! يجب مراقبة مستوى الماء في خزان الماء. لإعادة ملء خزان الماء ومواصلة عملية التنظيف/التعقيم، أعد المقبض (٤) إلى الوضعية العمودية وأطفئ الممسحة البخارية بوضعية زر الإطفاء (OFF). افصل الجهاز عن مصدر الطاقة الكهربائية، وأعد ملء خزان الماء (٣).

تنبيه! لا تترك الممسحة البخارية في نقطة واحدة على أية سطح لأية مدة زمنية. ضع دائماً الممسحة البخارية على لباداة الاستناد (٨) بحيث يكون المقبض (٤) بوضعية عمودية لدى الإيقاف وتأكد من إطفاء الممسحة البخارية عند عدم استخدامها.

تعليمات ما بعد الاستخدام (الشكل ي و ك)

- أعد المقبض (٤) إلى الوضعية العمودية وأطفئ الممسحة البخارية بوضعية زر الإطفاء (OFF).
- ضع الممسحة البخارية على لباداة الاستناد (٨) وانتظر حتى تبرد. (حوالي ٥ دقائق)
- افصل الممسحة البخارية عن مصدر التغذية الكهربائية.
- أفرغ خزان الماء (٣).
- أزل وسادة التنظيف (٦ أو ٧) واغسلها بحيث تكون جاهزة للاستخدام في المرة القادمة. (يرجى إتباع

الضمان

تتق بلاك أند ديكر في جودة منتجاتها وتعرض ضماناً طويلاً الأجل.

بيان الضمان هذا يكون بالإضافة إلى حقوقك التي يمنحها القانون ولا يدخل بها بأي حال من الأحوال.

يسري الضمان في أقاليم الدول الأعضاء في الاتحاد الأوروبي ومنطقة التجارة الحرة الأوروبية.

في حالة وجود خلل في منتج بلاك أند ديكر بسبب عيب في المواد أو الصناعة أو عدم التوافق مع المعايير، خلال 24 شهراً من تاريخ الشراء، تضمن بلاك أند ديكر استبدال الأجزاء المعيبة وإصلاح المنتجات مع مراعاة التآكل والبلى الطبيعي أو استبدال هذه المنتجات لضمان أقل إزعاج للعميل ما لم:

- ◀ يتم استخدام المنتج في أغراض تجارية أو مهنية أو أغراض تأجير؛
- ◀ يتعرض المنتج لسوء الاستخدام أو الإهمال؛
- ◀ يتعرض المنتج للتلف نتيجة أشياء أو مواد غريبة أو حوادث؛
- ◀ يتم محاولة إصلاح المنتج بواسطة أشخاص غير وكلاء الصيانة المعتمدين أو فريق الصيانة التابع لشركة بلاك أند ديكر.

لتقديم مطالبة بموجب الضمان، سوف تحتاج إلى تقديم دليل الشراء للبائع أو وكيل الصيانة المعتمد. ويمكنك التعرف على موقع أقرب وكيل صيانة معتمد من خلال الاتصال على مكتب بلاك أند ديكر المحلي في العنوان الموضح في هذا الدليل.

وبدلاً من ذلك، توجد قائمة بوكلاء الصيانة المعتمدين التابعين لشركة بلاك أند ديكر والتفاصيل الكاملة لخدمات ما بعد البيع ووسائل الاتصال الخاصة بنا على الإنترنت على الموقع الإلكتروني: www.2helpU.com.

حماية البيئة

الجمع المنفصل. يلزم عدم التخلص من هذا المنتج مع القمامة المنزلية العادية.



إذا لزم في يوم من الأيام استبدال منتج بلاك أند ديكر الخاص بك، أو إذا لم تعد تستخدمه، فلا تتخلص منه مع القمامة المنزلية الأخرى، بل تأكد من إتاحة هذا المنتج للجمع المنفصل.

- توفر شركة بلاك أند ديكر مرفق لإعادة تدوير منتجات بلاك أند ديكر بمجرد وصولها إلى نهاية عمرها وعدم صلاحيتها للعمل. ويتم تقديم هذه الخدمة مجاناً. للاستفادة من هذه الخدمة، يرجى إعادة المنتج إلى أي وكيل صيانة معتمد والذي سوف يتولى بدوره جمع المنتجات نيابة عنا.
- يمكنك التعرف على موقع أقرب وكيل صيانة معتمد من خلال الاتصال على مكتب بلاك أند ديكر المحلي في العنوان الموضح في هذا الدليل. وبدلاً من ذلك، توجد قائمة بوكلاء الصيانة المعتمدين التابعين لشركة بلاك أند ديكر والتفاصيل الكاملة لخدمات ما بعد البيع ووسائل الاتصال الخاصة بنا على الإنترنت على الموقع الإلكتروني: www.2helpU.com.

العناية بوسادات التنظيف

تعليمات الغسيل - بدون مُكيّف الأنسجة - تتيح التجفيف الكامل قبل إعادة الاستخدام.

تنبيه! يرجى اتباع تعليمات الغسيل المطبوعة على بطاقة المعلومات الخاصة بوسادة التنظيف.

استبدال قابس التيار الرئيسي
(للمملكة المتحدة وإيرلندا فقط)

في حال الحاجة إلى تركيب قابس جديد:

- تخلص بشكل آمن من القابس القديم.
 - قم بتوصيل السلك البني إلى الخط الموصل في القابس الجديد.
 - قم بتوصيل السلك الأزرق إلى الخط الكهربائي المحايد.
 - قم بتوصيل الخط الأخضر/الأصفر إلى الخط الأرضي.
- تحذيراً! اتبع تعليمات التوصيل المرفقة مع مأخذ الطاقة ذات الجودة. يوصى باستخدام مصهر ١٣ أمبير

البيانات الفنية

FSM1630 (النوع 1)		
الجهد	فولت	٢٢٠-٢٤٠
استهلاك الطاقة	وات	١٦٠٠
سعة خزان الماء	ميلي لتر	٥٠٠
الوزن	كجم	٢,٧

Names & Addresses for Black & Decker Service Concessionaries

ALGERIA: SARL Outillage Corporation, After Sale Service Center-08, Rue Mohamed Boudiaf - Cheraga, Algiers, Algeria, Tel: +213 21 375131, Fax: +213-0-369667. **AZERBAIJAN:** Kontakt - NN LLC, M.Qashqay 43, Baku, Azerbaijan Az1000. Tel: +994 12 4082050, Fax: +994 12 4117090. **BAHRAIN:** Alfouz Services Co. WLL., P.O. Box 26562, Tubli, Manama, Tel: +973-17783562/ 17879987, Fax: +973-17783479. Kewalram & Sons Co. WLL P.O. Box 84, Manama, Kingdom of Bahrain, Tel: +973-17213110/ 17210617/ 17210619, Fax: +973-17213211/ 17210627. **BANGLADESH:** Ultra Corporation, 8, Kushol Centre, Uttara, Dhaka 1230. Tel: +880-2-8922144, Fax: +880-2-8951339. **EGYPT:** Anasia Egypt for Trading S.A.E, P.O. Box 2443, 9, Mostafa Refaat Street, Sheraton Heliopolis 11361, Cairo, Tel: +202-22684159, Fax: +202-22684169. **ETHIOPIA:** Seif Sherif Trade PLC -Arada Sub City, Kebele 01-02, Global Insurance Bldg., 2nd Flr. Room 43, P.O.Box 2525, Addis Ababa, Ethiopia, Tel: 00-251-11-1563968/ 1563969, Fax: 00-251-11-1558009. **INDIA:** Gryphon Appliances Ltd., D-6/4, Okhla Industrial Area, Phase-I, New Delhi-110020, Tel: +91-11-46731111, Fax: +91-11-46731111. **JORDAN:** Bashiti Hardware, 93 King Abdullah 2nd St., Opp ELBA House, P.O. Box 3005, Tel: +962-6-5349098 ext.11, Fax: +962-6-5330731. **KENYA:** Leading Concepts, P.O. Box: 40877-00100, Nairobi, Kenya. Tel: +254 20 690 5000, Fax: +254 20 690 5111. **KUWAIT:** Al Omar Technical Co., P.O. Box 4062, Safat 13041, Kuwait, Tel: 00965-24848595/ 24840039, Fax: 00965-24845652. The Sultan Centre, P.O. Box 26567-13126 Safat, Kuwait, Tel: 00965-24343155 Etn. 432, Fax: 00965-24319071. **LEBANON:** Aces Service Centre, P.O. Box 90-102, Nahr El Mot, Seaside Highway, Pharaon Building, Beirut. Tel: 00961-1-898989, Fax: 00961-1-245880. **LIBYA:** Homeworld Co., Building No.5, Senidal St., Amr Ibn Elaas Road, Benghazi, Libya. Tel: 00218-61-9094183. Service Center1 - Benghazi: Tel: +218-061-3383994, Fax: +218-092-7640688, Service Center2 - Tripoli: Tel: +218-021-3606430, Fax: +218-092-6514813. **MALTA:** John G Cassar Ltd. 36-Victory Street, Qormi QRM 06, Malta. Tel: +356-21493251, Fax: +356-21483231. **MAURITIUS:** J.M. Goupille & Co. Ltd., Rogers Industrial Park 1, Riche Terre, Mauritius, Tel: +230 206 9450/ +230 207 1700, Fax: +230 206 9474/ +230 248 3188. **MOROCCO:** UATS 26 Rue Ennarjisse, Hay Erraihan, Beausejour - Hay Hassani-Casablanca, Morocco. Tel: +212 522945114, Fax: +212 522942442. **NEPAL:** Universal Electrocom, Tripureshwar, Kathmandu, Nepal. Tel: +977-1-4265191. **NIGERIA:** Dana Electronics Ltd. (Lagos) 116/ 120, Apapa Oshodi Express Way, Isolo, Lagos, Nigeria. Tel: +234-17431818/ +234-8037767774/ +234-8057445477. (Abuja) 18, A.E. Ekukinam Street, Off Obsfemi Awolowo Road, Utako, Abuja, Nigeria. Tel: +234-8032276101/ +234-8037767774. (Kano) 9A - Mai Malari Road, Bompai, Kano, Nigeria. Tel: +234-8053294947/ +234-8037767774. **OMAN:** Oman Marketing & Service Co. (Omasco), P.O. Box 2734, Behind Honda Showroom, Wattayah, Oman, Tel: +968-24560232/ 24560255, Fax: +968-24560993. Oman Marketing & Service Co. (Omasco), Al Ohi, Sohar, Oman, Tel: +968-26846379, Fax: +968-26846379. Oman Marketing & Service Co. (Omasco) - Sanaya, Salalah, Oman, Tel: 00968-23212290, Fax: +968-23210936. **PAKISTAN:** Ammar Service & Spares - 60-Bank Arcade, Serai Road, Karachi, Pakistan, Tel: 0092-21-32426905, Fax: 0092-21-32427214. **PHILIPPINES:** 476 J. P. Rizal St., cor Kakarong St. Brgy Olympia, Makati City, Tel: +632 403-5698. **QATAR:** Al Muftah Service Centre - Al Wakrah Road, P.O. Box 875, Doha, Qatar. Tel: 00974-4650880/ 4650110/ 4446868, Fax: 00974-4441415/ 4662599. **SAUDI ARABIA:** (Al Khobar) Al-Suwaiket Catering & Trading Co., P.O.Box 4228, King A.Aziz Street, Al Khobar, Tel: +966-3-8591088, Fax: +966-3-8595648. Fawaz Ebrahim Al Zayani Trading Est. P.O. Box 76026, Al Khobar #31952, Tel: +966-3-8140914, Fax: +966-3-8140824. (Jeddah) Banaja Trading Co. Ltd, P.O. Box 366, Jeddah-21411, Tel: +966-2-6511111, Fax: +966-2-6503668. (Riyadh) Banaja Trading Co. Ltd, P.O. Box 566, Riyadh-11421, Tel: 00966-1-4124444, Fax: +966-1-4033378. **SOUTH AFRICA:** Trecco Power Tool Service 14 Steenbok Street, Koedoespoort, 0186, Pretoria, South Africa, Tel: +27-86-1873826, Fax: +27-86-5001771. **SRI LANKA:** Delmege Construction Products (Pvt) Ltd., No 101 Vinayalankara Mawatha, Colombo-10, Sri Lanka, Tel: +94-11-2693361-7, Service hotline: +94-77-2211111. **TUNISIA:** Société Tunisienne De Manutention - Rue de la Physique, Nouvelle Zone Industrielle de Ben Arous-2013 Tunisie, Tel: +216-71-386102/ 380620, Fax: +216-71380412 ext 216. **UGANDA:** Anisuma Investment and Services Ltd., J R complex, Ware House No.5, Plot No 101, 3rd Street Industrial Area, Jinja Road, Kampala, Tel: +256-414237106. **UAE: (Abu Dhabi)** Light House Electrical, P.O. Box 120, Abu Dhabi, Tel: +971-2-6726131, Fax: +971-2-6720667. (Al Ain) Zillion Equipment and Spare Parts Trading LLC, P.O. Box 19740, Opp. Bin Sadal/Trimix Redymix Sanaiya, Al Ain. Tel: +971-3-7216690, Fax: +971-3-7216103 (Dubai) Black & Decker (Overseas) GmbH, P.O. Box 5420, Dubai, Tel: +971-4-8127400/ 8127406, Fax: +971-4-2822765. (Musaffah) Light House Electrical, P.O. Box 120, Abu Dhabi, Tel: +971-2-5548315, Fax: +971-2-5540461. (Sharjah) Mc Coy Middle East LLC, P.O. Box 25793, Sharjah, Tel: +971-6-5395931, Fax: +971-6-5395932. (Ras Al Khaimah) Mc Coy Middle East LLC, P.O.Box 10584, Ras Al Khaimah, Tel: +971-7-2277095, Fax: +971-7-2277096. **YEMEN:** (Aden) Muala St., Tel: +967 2 222670, Fax: +967 2 222670. (Sana'a) Middle East Trad. Co. Ltd., P.O. Box 12363, Hayel Street, Sana'a. Tel: +967-1-204201, Fax: +967-1-204204. (Taiz) Middle East Trading Co. (METCO), 5th Flr.Hayel Saeed Anam Bldg, Al-Mugamma St. Taiz, Yemen, Tel: +967-4-213455, Fax: +967-4-219869.



WARRANTY REGISTRATION CARD

YOUR NAME/ الإسم

YOUR ADDRESS العنوان

POSTCODE الرمز البريدي

DATE OF PURCHASE تاريخ الشراء

DEALER'S NAME & ADDRESS/ إسم وعنوان البائع

PRODUCT MODEL NO. FSM1630



Free Manuals Download Website

<http://myh66.com>

<http://usermanuals.us>

<http://www.somanuals.com>

<http://www.4manuals.cc>

<http://www.manual-lib.com>

<http://www.404manual.com>

<http://www.luxmanual.com>

<http://aubethermostatmanual.com>

Golf course search by state

<http://golfingnear.com>

Email search by domain

<http://emailbydomain.com>

Auto manuals search

<http://auto.somanuals.com>

TV manuals search

<http://tv.somanuals.com>