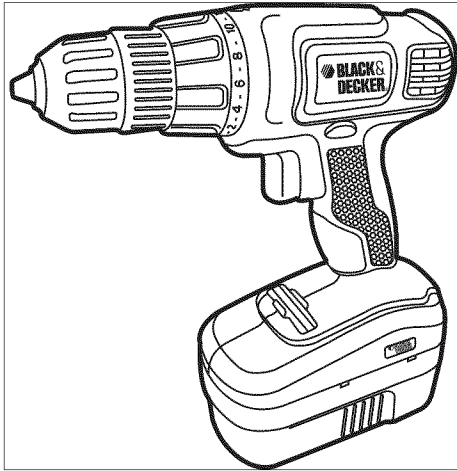


INSTRUCTION MANUAL

Catalog Numbers

GC9600 GCO9600
 GC1200 GCO1200
 GC1440 GCO1440
 GC1800 GCO1800
 GC2400 GCO2400



THANK YOU FOR CHOOSING BLACK & DECKER!
 Go to www.BlackandDecker.com/NewOwner
 TO REGISTER YOUR NEW PRODUCT.

**BEFORE RETURNING THIS PRODUCT
 FOR ANY REASON PLEASE CALL
 1-800-544-6986**

BEFORE YOU CALL, HAVE THE CATALOG No. AND DATE CODE AVAILABLE. IN MOST CASES, A BLACK & DECKER REPRESENTATIVE CAN RESOLVE THE PROBLEM OVER THE PHONE. IF YOU HAVE A SUGGESTION OR COMMENT, GIVE US A CALL. YOUR FEEDBACK IS VITAL TO BLACK & DECKER.

SAVE THIS MANUAL FOR FUTURE REFERENCE.

VEA EL ESPAÑOL EN LA CONTRAPORTADA.

INSTRUCTIVO DE OPERACIÓN, CENTROS DE SERVICIO Y PÓLIZA DE GARANTÍA. **ADVERTENCIA:** LEÁSE ESTE INSTRUCTIVO ANTES DE USAR EL PRODUCTO.

CAT. NO's. GC9600, GC1200, GC1440, GC1800, GC2400, GCO9600, GCO1200, GCO1440, GCO1800, GCO2400 Form No. 90533178 MAY '08
 Copyright © 2008 Black & Decker Printed in China

General Power Tool Safety Warnings

⚠ WARNING! Read all safety warnings and instructions. Failure to follow the warnings and instructions may result in electric shock, fire and/or serious injury.

Save all warnings and instructions for future reference.

The term "power tool" in the warnings refers to your mains-operated (corded) power tool or battery-operated (cordless) power tool.

1) Work area safety

- a) **Keep work area clean and well lit.** Cluttered or dark areas invite accidents.
- b) **Do not operate power tools in explosive atmospheres, such as in the presence of flammable liquids, gases or dust.** Power tools create sparks which may ignite the dust or fumes.
- c) **Keep children and bystanders away while operating a power tool.** Distractions can cause you to lose control.

2) Electrical safety

- a) **Power tool plugs must match the outlet. Never modify the plug in any way. Do not use any adapter plugs with earthed (grounded) power tools.** Unmodified plugs and matching outlets will reduce risk of electric shock.
- b) **Avoid body contact with earthed or grounded surfaces such as pipes, radiators, ranges and refrigerators.** There is an increased risk of electric shock if your body is earthed or grounded.
- c) **Do not expose power tools to rain or wet conditions.** Water entering a power tool will increase the risk of electric shock.
- d) **Do not abuse the cord. Never use the cord for carrying, pulling or unplugging the power tool. Keep cord away from heat, oil, sharp edges or moving parts.** Damaged or entangled cords increase the risk of electric shock.
- e) **When operating a power tool outdoors, use an extension cord suitable for outdoor use.** Use of a cord suitable for outdoor use reduces the risk of electric shock.
- f) **If operating a power tool in a damp location is unavoidable, use a ground fault circuit interrupter (GFCI) protected supply.** Use of a GFCI reduces the risk of electric shock.

3) Personal safety

- a) **Stay alert, watch what you are doing and use common sense when operating a power tool. Do not use a power tool while you are tired or under the influence of drugs, alcohol or medication.** A moment of inattention while operating power tools may result in serious personal injury.
- b) **Use personal protective equipment. Always wear eye protection. Protective equipment such as dust mask, non-skid safety shoes, hard hat, or hearing protection used for appropriate conditions will reduce personal injuries.**
- c) **Prevent unintentional starting. Ensure the switch is in the off-position before connecting to power source and/or battery pack, picking up or carrying the tool.** Carrying power tools with your finger on the switch or energising power tools that have the switch on invites accidents.
- d) **Remove any adjusting key or wrench before turning the power tool on.** A wrench or a key left attached to a rotating part of the power tool may result in personal injury.
- e) **Do not overreach. Keep proper footing and balance at all times.** This enables better control of the power tool in unexpected situations.
- f) **Dress properly. Do not wear loose clothing or jewellery. Keep your hair, clothing and gloves away from moving parts.** Loose clothes, jewellery or long hair can be caught in moving parts.
- g) **If devices are provided for the connection of dust extraction and collection facilities, ensure these are connected and properly used.** Use of dust collection can reduce dust-related hazards.

4) Power tool use and care

- a) **Do not force the power tool. Use the correct power tool for your application.** The correct power tool will do the job better and safer at the rate for which it was designed.

- b) **Do not use the power tool if the switch does not turn it on and off.** Any power tool that cannot be controlled with the switch is dangerous and must be repaired.
- c) **Disconnect the plug from the power source and/or the battery pack from the power tool before making any adjustments, changing accessories, or storing power tools.** Such preventive safety measures reduce the risk of starting the power tool accidentally.
- d) **Store idle power tools out of the reach of children and do not allow persons unfamiliar with the power tool or these instructions to operate the power tool.** Power tools are dangerous in the hands of untrained users.
- e) **Maintain power tools. Check for misalignment or binding of moving parts, breakage of parts and any other condition that may affect the power tool's operation.** If damaged, have the power tool repaired before use. Many accidents are caused by poorly maintained power tools.
- f) **Keep cutting tools sharp and clean.** Properly maintained cutting tools with sharp cutting edges are less likely to bind and are easier to control.
- g) **Use the power tool, accessories and tool bits etc., in accordance with these instructions, taking into account the working conditions and the work to be performed.** Use of the power tool for operations different from those intended could result in a hazardous situation.

5) Battery tool use and care

- a) **Recharge only with the charger specified by the manufacturer.** A charger that is suitable for one type of battery pack may create a risk of fire when used with another battery pack.
- b) **Use power tools only with specifically designated battery packs.** Use of any other battery packs may create a risk of injury and fire.
- c) **When battery pack is not in use, keep it away from other metal objects like paper clips, coins, keys, nails, screws, or other small metal objects that can make a connection from one terminal to another.** Shorting the battery terminals together may cause burns or a fire.
- d) **Under abusive conditions, liquid may be ejected from the battery, avoid contact.** If contact accidentally occurs, flush with water. If liquid contacts eyes, additionally seek medical help. Liquid ejected from the battery may cause irritation or burns.

6) Service

- a) **Have your power tool serviced by a qualified repair person using only identical replacement parts.** This will ensure that the safety of the power tool is maintained.

SPECIFIC SAFETY RULES

- **Wear ear protectors with impact drills.** Exposure to noise can cause hearing loss.
- **Use auxiliary handles supplied with the tool.** Loss of control can cause personal injury.
- **Hold power tools by insulated gripping surfaces when performing an operation where the cutting tool may contact hidden wiring or its own cord.** Contact with a "live" wire will make exposed metal parts of the tool "live" and shock the operator.
- **When working on a ladder or on scaffolding be sure to lay the tool down on its side when not in use.** Some tools with large battery packs will stand upright but may be easily knocked over.
- **Use clamps or another practical way to secure and support the work piece to a stable platform.** Holding the work by hand or against your body leaves it unstable and may lead to loss of control.
- **Keep your hair, clothing, and gloves away from air vents.** Air vents often cover moving parts in which these items can be caught.
- **Hold tool firmly with two hands.** Use auxiliary handle if provided. If auxiliary handle not provided, grip tool at bottom of handle. Loss of control can cause personal injury.

⚠ WARNING: Some dust created by power sanding, sawing, grinding, drilling, and other construction activities contains chemicals known to the State of California to cause cancer, birth defects or other reproductive harm. Some examples of these chemicals are:

- lead from lead-based paints,
- crystalline silica from bricks and cement and other masonry products, and
- arsenic and chromium from chemically-treated lumber.

Your risk from these exposures varies, depending on how often you do this type of work. To reduce your exposure to these chemicals: work in a well ventilated area, and work with approved safety equipment, such as those dust masks that are specially designed to filter out microscopic particles.

- **Avoid prolonged contact with dust from power sanding, sawing, grinding, drilling, and other construction activities. Wear protective clothing and wash exposed areas with soap and water.** Allowing dust to get into your mouth, eyes, or lay on the skin may promote absorption of harmful chemicals.

⚠ WARNING: Use of this tool can generate and/or disperse dust, which may cause serious and permanent respiratory or other injury. Always use NIOSH/OSHA approved respiratory protection appropriate for the dust exposure. Direct particles away from face and body.

SAFETY GUIDELINES - DEFINITIONS

It is important for you to read and understand this manual. The information it contains relates to protecting YOUR SAFETY and PREVENTING PROBLEMS. The symbols below are used to help you recognize this information.

⚠ DANGER: Indicates an imminently hazardous situation which, if not avoided, will result in death or serious injury.

⚠ WARNING: Indicates a potentially hazardous situation which, if not avoided, could result in death or serious injury.

⚠ CAUTION: Indicates a potentially hazardous situation which, if not avoided, may result in minor or moderate injury.

CAUTION: Used without the safety alert symbol indicates a potentially hazardous situation which, if not avoided, may result in property damage.

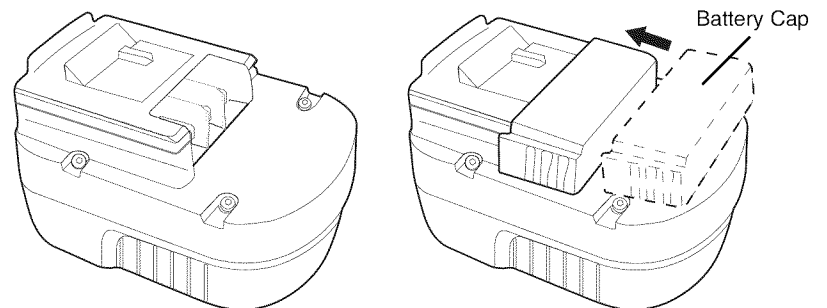
Symbols

The label on your tool may include the following symbols.

V	volts	A.....	amperes
Hz	hertz	W	watts
min	minutes	~	alternating current
—	direct current	n _o	no load speed
□	Class II Construction	⊕	earthing terminal
⚠	safety alert symbol	.../min	revolutions or reciprocations per minute

BATTERY CAP INFORMATION

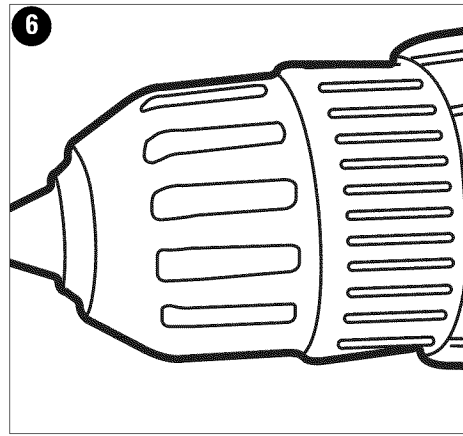
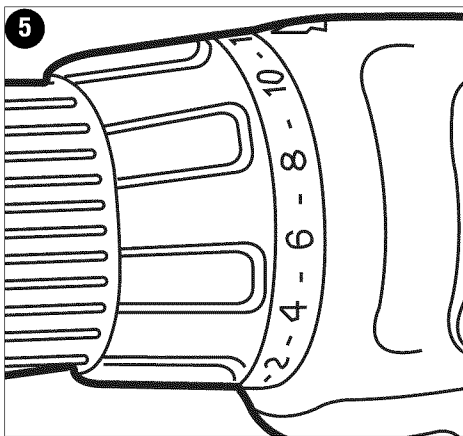
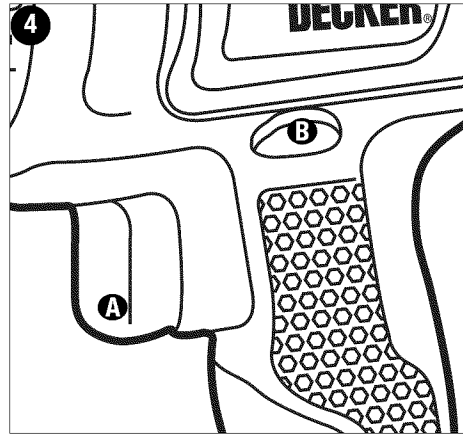
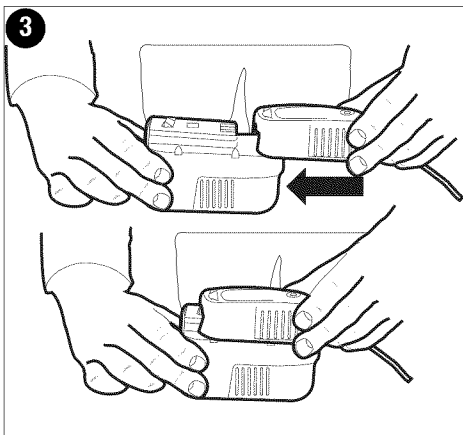
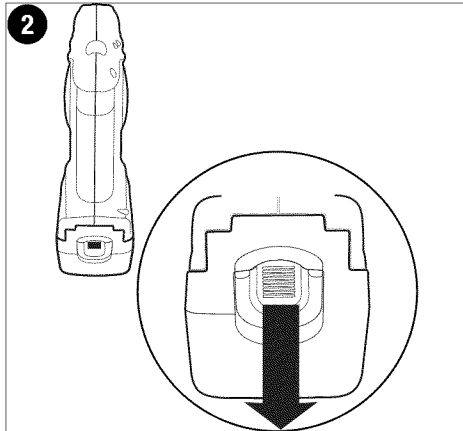
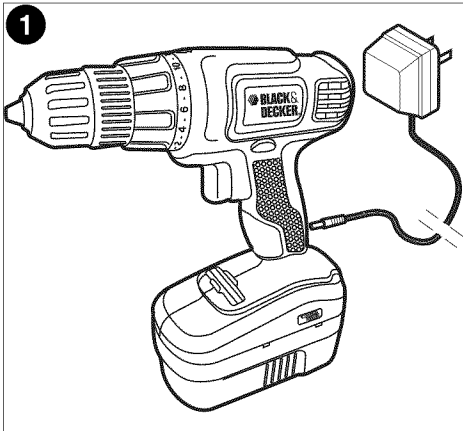
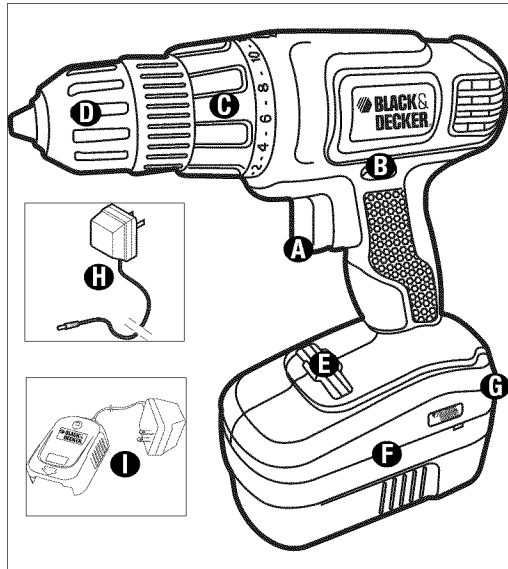
Battery storage and carrying caps are provided for use whenever the battery is out of the tool or charger. Remove cap before placing battery in charger or tool.



⚠ WARNING: Do not store or carry battery so that metal objects can contact exposed battery terminals. For example, do not place battery in aprons, pockets, tool boxes, product kit boxes, drawers, etc. with loose nails, screws, keys, etc. without battery cap. Transporting batteries can possibly cause fires if the battery terminals inadvertently come in contact with conductive materials such as keys, coins, hand tools and the like. The US Department of Transportation Hazardous Material Regulations (HMR) actually prohibit transporting batteries in commerce or on airplanes (i.e. packed in suitcases and carryon luggage) UNLESS they are properly protected from short circuits. So when transporting individual batteries, make sure that the battery terminals are protected and well insulated from materials that could contact them and cause a short circuit.

FUNCTIONAL DESCRIPTION

- A. Trigger Switch
- B. Forward/Reverse Button
- C. Torque Adjust Collar
- D. Keyless Chuck
- E. Bit Holder
- F. Battery
- G. Battery Release Button
- H. Jack Plug Charger
- I. Cup Charger



⚠ Safety Warnings and Instructions: Charging the Battery Pack

1. This manual contains important safety and operating instructions.
2. Before using battery charger, read all instructions and cautionary markings on (1) battery charger, (2) battery pack, and (3) product using battery pack.
3. ⚠ **CAUTION:** To reduce the risk of injury, charge only Black & Decker Battery Packs. Other types of batteries may burst causing personal injury and damage.
4. Do not expose charger to rain or snow.
5. Use of an attachment not recommended or sold by Black & Decker may result in a risk of fire, electric shock, or injury to persons.
6. To reduce risk of damage to electric plug and cord, pull by plug rather than cord when disconnecting charger.
7. Make sure cord is located so that it will not be stepped on, tripped over, or otherwise subjected to damage or stress.
8. An extension cord should not be used unless absolutely necessary. Use of improper extension cord could result in a risk of fire, electric shock or electrocution.
 - a. Two-wire cords can be used with 2-wire or 3-wire extension cords. Only round jacketed extension cords should be used, and we recommend that they be listed by Underwriters Laboratories (U.L.). If the extension is to be used outside, the cord must be suitable for outdoor use. Any cord marked for outdoor use can also be used for indoor work. The letters "W" or "WA" on the cord jacket indicate that the cord is suitable for outdoor use.
 - b. An extension cord must have adequate wire size (AWG or American Wire Gauge) for safety, and to prevent loss of power and overheating. The smaller the gauge number of the wire, the greater the capacity of the cable; that is, 16 gauge has more capacity than 18 gauge. When using more than one extension to make up the total length, be sure each extension contains at least the minimum wire size.

CHART FOR MINIMUM WIRE SIZE (AWG) OF EXTENSION CORDS

NAMEPLATE RATING AMPS - 0 - 10.0

Total Extension Cord Length (ft)	25	50	75	100	125	150
Wire Gauge	18	18	16	16	14	14

9. Use only the supplied charger when charging your drill. The use of any other charger could damage the drill or create a hazardous condition.
10. Use only one charger when charging.
11. Do not attempt to open the charger or the drill. There are no customer serviceable parts inside. Return to any authorized Black & Decker service center.
12. DO NOT incinerate the drill or battery packs even if they are severely damaged or completely worn out. The batteries can explode in a fire.
13. A small leakage of liquid from the battery pack cells may occur under extreme usage, charging or temperature conditions. This does not indicate a failure. However, if the outer seal is broken and this leakage gets on your skin:
 - a. Wash quickly with soap and water.
 - b. Neutralize with a mild acid such as lemon juice or vinegar.

- c. If the battery pack liquid gets in your eyes, flush them with clean water for a minimum of 10 minutes and seek immediate medical attention. **MEDICAL NOTE:** The liquid is a 25-35% solution of potassium hydroxide.

CHARGING THE BATTERY PACK

Your drill may use either a jack plug charger or a cup charger, both of which are described below. Please follow the directions for the type of charger that you have. Chargers are designed to use standard 120 volt AC, 60 Hz power. Do not use DC or any other voltage.

THE BATTERIES IN YOUR BATTERY PACK ARE NOT FULLY CHARGED AT THE FACTORY. BEFORE ATTEMPTING TO CHARGE THEM, THOROUGHLY READ ALL OF THE SAFETY INSTRUCTIONS.

INSTRUCTIONS FOR JACK PLUG CHARGERS:

1. Place the battery pack into the tool until it "clicks" into place.
 2. Insert the charger plug into the connector as shown in **figure 1**.
 3. Plug the charger into any standard 120 Volt 60 Hz electrical outlet and let the battery pack charge initially for **9 hours**. After the initial charge, under normal usage, your battery pack should be fully charged in **3 to 6 hours**.
 4. Disconnect the charger from the outlet, then disconnect the charger from the tool.
- ⚠ **WARNING:** Do not use the tool while it is connected to the charger.
NOTE: To remove the battery pack from the drill, press down on the release button on the back of the battery pack (**figure 2**) and slide out.

INSTRUCTIONS FOR CUP CHARGERS:

1. Plug the charger into any standard 120 Volt 60 Hz electrical outlet.
 2. Slide the charger onto the battery pack as shown in **figure 3** and let the battery pack charge initially for **9 hours**. After the initial charge, under normal usage, your battery pack should be fully charged in **3 to 6 hours**.
 3. Unplug charger, and remove the battery pack. Place the battery pack into the tool until it "clicks" into place.
- NOTE:** To remove the battery pack from the drill, press down on the release button on the back of the battery pack (**figure 2**) and slide out.

IMPORTANT CHARGING NOTES

1. After normal usage, your battery pack should be fully charged in 3 to 6 hours. If the battery pack is run-down completely, it may take up to 6 hours to become fully charged. Your battery pack was sent from the factory in an uncharged condition. Before attempting to use it, it must be charged for at least 9 hours.
2. DO NOT charge the battery pack in an air temperature below 40°F (4,5°C) or above 105°F (40,5°C). This is important and will prevent serious damage to the battery pack. Longest life and best performance can be obtained if battery pack is charged when air temperature is about 75°F (24°C).
3. While charging, the charger may hum and become warm to touch. This is a normal condition and does not indicate a problem.
4. If the battery pack does not charge properly—(1) Check current at receptacle by plugging in a lamp or other appliance. (2) Check to see if receptacle is connected to a light switch which turns power off when you turn out the lights. (3) Move charger and battery pack to a surrounding air temperature of 40°F (4,5°C) to 105° F (40,5°C). (4) If the receptacle and temperature are OK, and you do not get proper charging, take or send the battery pack and charger to your local Black & Decker service center. See Tools Electric in yellow pages.
5. The battery pack should be recharged when it fails to produce sufficient power on jobs which were easily done previously. **DO NOT CONTINUE** using product with its battery pack in a depleted condition.
6. To prolong battery pack life, avoid leaving the battery pack on charge for extended periods of time (over 30 days without use). Although overcharging is not a safety concern, it can significantly reduce overall battery pack life.
7. When the battery pack is inserted into the charger, the red "Charging Indicator" light will come on indicating that there is contact between the battery pack and charger. The light will stay on as long as the battery pack is in the charger and the charger is plugged into a working outlet. It **WILL NOT** flash, go out or change to a different color when the charging cycle is complete.
8. The battery pack will reach optimum performance after being cycled 5 times during normal usage. There is no need to run the batteries down completely before recharging. Normal usage is the best method of discharging and recharging the batteries.

OPERATING INSTRUCTIONS

INSTALLING AND REMOVING THE BATTERY PACK

NOTE: Make sure your battery pack is fully charged.

To install the battery pack into the tool handle, align the base of the tool with the rails inside the tool's handle and slide the battery pack firmly into the handle until you hear the lock snap into place.

To remove the battery pack from the tool, press the battery pack release button (G) and firmly pull the battery pack out of the tool handle (**figure 2**).

TRIGGER SWITCH & REVERSING BUTTON - FIGURE 4

The drill is turned ON and OFF by pulling and releasing the trigger switch (A) shown in **figure 4**. The farther the trigger is depressed, the higher the speed of the drill. A forward/reverse control button (B) determines the direction of the tool and also serves as a lock off button. To select forward rotation, release the trigger switch and depress the forward/reverse control button to the left. To select reverse, depress the forward/reverse control button to the right. The center position of the control button locks the tool in the off position. When changing the position of the control button, be sure the trigger is released.

TORQUE CONTROL - FIGURE 5

To set the tool's torque, rotate the adjustable torque collar as required. There are 24 clutch settings in all. These are indicated by numbers depicted on the torque collar. For light duty work when using small screws, set the collar to the smallest number. Each click in a counterclockwise direction means an increase in the torque produced. If the clutch slips on the lightest setting, turn the clutch collar to a higher number. The highest position is the drill mode and is indicated by a drill bit icon. In this position the clutch will not operate. This permits heavy duty drilling.

KEYLESS CHUCK - FIGURE 6

To insert a drill bit or other accessory:

1. Grasp the chuck collar with one hand and use your other hand to rotate the chuck in the counterclockwise direction, as viewed from the chuck end.
 2. Insert the bit or other accessory fully into the chuck, and tighten securely by holding the rear portion of the chuck and rotating the front portion of the chuck in the clockwise direction as viewed from the chuck end.
- ⚠ **WARNING:** Do not attempt to tighten drill bits (or any other accessory) by gripping the front part of the chuck and turning the tool on. Damage to the chuck and personal injury may occur when changing accessories.

SCREW DRIVING

For driving fasteners, the reversing button should be pushed to the left. Use reverse (button pushed to the right) for removing fasteners. When moving from forward to reverse, or vice versa, always release the trigger switch first.

DRILLING

- Use sharp drill bits only.
- Support and secure work properly, as instructed in the Safety Instructions.
- Use appropriate and required safety equipment, as instructed in the Safety Instructions.
- Secure and maintain work area, as instructed in the Safety Instructions.
- Run the drill very slowly, using light pressure, until the hole is started enough to keep the drill bit from slipping out of it.
- Apply pressure in a straight line with the bit. Use enough pressure to keep the bit biting but not so much as to stall the motor or deflect the bit.
- **Hold the drill firmly with two hands to control its twisting action.**
- **DO NOT CLICK THE TRIGGER OF A STALLED DRILL OFF AND ON IN AN ATTEMPT TO START IT. DAMAGE TO THE DRILL CAN RESULT.**
- Minimize stalling on breakthrough by reducing pressure and slowly drilling through the last part of the hole.
- Keep the motor running while pulling the bit out of a drilled hole. This will help reduce jamming.
- Use a cutting lubricant when drilling metals. The exceptions are cast iron and brass which should be drilled dry. The lubricants that work best are sulphurized cutting oil or lard oil.
- When using twist drill bits to drill holes in wood, it will be necessary to pull the bits out frequently to clear chips from the flutes.
- **Make sure switch turns drill on and off.**

DRILLING IN WOOD

Holes in wood can be made with the same twist drill bits used for metal or with spade bits. These bits should be sharp and should be pulled out frequently when drilling to clear chips from the flutes.

DRILLING IN METAL

Use a cutting lubricant when drilling metals. The exceptions are cast iron and brass which should be drilled dry. The cutting lubricants that work best are sulfurized cutting oil or lard oil.

DRILLING IN MASONRY

Use carbide tipped masonry bits. Refer to Drilling section. Keep even force on the drill but not so much that you crack the brittle material. A smooth, even flow of dust indicates the proper drilling rate.

Troubleshooting		
Problem	Possible Cause	Possible Solution
• Unit will not start.	• Battery not installed properly. • Battery not charged.	• Check battery installation. • Check battery charging requirements.
• Battery will not charge.	• Battery not inserted into charger. • Charger not plugged in. • Surrounding air temperature too hot or too cold.	• Insert battery into charger until red LED appears. • Plug charger into a working outlet. Refer to "Important Charging Notes" for more details. • Move charger and tool to a surrounding air temperature of above 40 degree F (4,5°C) or below 105 degree F (+40,5°C).

For assistance with your product, visit our website www.blackanddecker.com for the location of the service center nearest you or call the BLACK & DECKER help line at **1-800-544-6986**.

MAINTENANCE

Use only mild soap and damp cloth to clean the tool. Never let any liquid get inside the tool; never immerse any part of the tool into a liquid.

IMPORTANT: To assure product SAFETY and RELIABILITY, repairs, maintenance and adjustment (other than those listed in this manual) should be performed by authorized service centers or other qualified service organizations, always using identical replacement parts.

THE RBRC™ SEAL

The RBRC™ (Rechargeable Battery Recycling Corporation) Seal on the nickel-cadmium battery (or battery pack) indicates that the costs to recycle the battery (or battery pack) at the end of its useful life have already been paid by Black & Decker. In some areas, it is illegal to place spent nickel-cadmium batteries in the trash or municipal solid waste stream and the RBRC program provides an environmentally conscious alternative.

RBRC in cooperation with Black & Decker and other battery users, has established programs in the United States and Canada to facilitate the collection of spent nickel-cadmium batteries. Help protect our environment and conserve natural resources by returning the spent nickel-cadmium battery to an authorized Black & Decker service center or to your local retailer for recycling. You may also contact your local recycling center for information on where to drop off the spent battery, or call **1-800-8-BATTERY**.



ACCESSORIES

Recommended accessories for use with your tool are available from your local dealer or authorized service center. If you need assistance regarding accessories, please call: **1-800-54-HOW-TO (544-6986)**.

⚠ WARNING: The use of any accessory not recommended for use with this tool could be hazardous.

The following accessories should be used only in the sizes specified below:

BITS, METAL DRILLING – Up to 3/8 in. (9.5mm); **BITS, MASONRY DRILLING** – Up to 3/8 in. (9.5mm); **WOOD DRILLING** – Up to 1/2 in. (12.7mm).

SERVICE INFORMATION

All Black & Decker Service Centers are staffed with trained personnel to provide customers with efficient and reliable power tool service. Whether you need technical advice, repair, or genuine factory replacement parts, contact the Black & Decker location nearest you. To find your local service location, refer to the yellow page directory under "Tools—Electric" or call: **1-800-544-6986** or visit www.blackanddecker.com

FULL TWO-YEAR HOME USE WARRANTY

Black & Decker (U.S.) Inc. warrants this product for two years against any defects in material or workmanship. The defective product will be replaced or repaired at no charge in either of two ways.

The first, which will result in exchanges only, is to return the product to the retailer from whom it was purchased (provided that the store is a participating retailer). Returns should be made within the time period of the retailer's policy for exchanges (usually 30 to 90 days after the sale). Proof of purchase may be required. Please check with the retailer for their specific return policy regarding returns that are beyond the time set for exchanges.

The second option is to take or send the product (prepaid) to a Black & Decker owned or authorized Service Center for repair or replacement at our option. Proof of purchase may be required. Black & Decker owned and authorized Service Centers are listed under "Tools-Electric" in the yellow pages of the phone directory.

This warranty does not apply to accessories. This warranty gives you specific legal rights and you may have other rights which vary from state to state or province to province. Should you have any questions, contact the manager of your nearest Black & Decker Service Center. This product is not intended for commercial use.

FREE WARNING LABEL REPLACEMENT: If your warning labels become illegible or are missing, call **1-800-544-6986** for a free replacement.

Imported by
Black & Decker (U.S.) Inc.,
701 E. Joppa Rd.
Towson, MD 21286 U.S.A.



BlackandDecker.com
1-800-544-6986

See 'Tools-
Electric'
– Yellow Pages –
for Service &
Sales



MODE D'EMPLOI

MERCI D'AVOIR CHOISI BLACK & DECKER !
VISITEZ WWW.BLACKANDECKER.COM/NEWOWNER
POUR ENREGISTRER VOTRE NOUVEAU PRODUIT.

**AVANT DE RETOURNER CE PRODUIT POUR QUELQUE
RAISON QUE CE SOIT, COMPOSER LE
1-800-544-6986**

AVANT D'APPELER, AYEZ EN MAIN LE N° DE CATALOGUE ET LE CODE DE DATE. DANS LA PLUPART DES CAS, UN REPRÉSENTANT DE BLACK & DECKER PEUT RÉSOUDRE LE PROBLÈME PAR TÉLÉPHONE. SI VOUS AVEZ UNE SUGGESTION OU UN COMMENTAIRE, APPELÉZ-NOUS. VOS IMPRESSIONS SONT CRUCIALES POUR BLACK & DECKER.

Avertissements de sécurité généraux pour les outils électriques

⚠ AVERTISSEMENT! Lire tous les avertissements de sécurité et toutes les directives. Le non-respect des avertissements et des directives pourrait se solder par un choc électrique, un incendie et/ou une blessure grave.

Conserver tous les avertissements et toutes les directives pour un usage ultérieur.

Le terme «outil électrique» cité dans les avertissements se rapporte à votre outil électrique à alimentation sur secteur (avec fil) ou par piles (sans fil).

1) Sécurité du lieu de travail

- Tenir la zone de travail propre et bien éclairée.** Les endroits sombres sont souvent des causes d'accidents.
- Ne pas faire fonctionner d'outils électriques dans un milieu déflagrant, soit en présence de liquides inflammables, de gaz ou de poussière.** Les outils électriques produisent des étincelles qui peuvent enflammer la poussière ou les vapeurs.
- Éloigner les enfants et les curieux au moment d'utiliser un outil électrique.** Une distraction pourrait vous en faire perdre la maîtrise.

2) Sécurité en matière d'électricité

- Les fiches des outils électriques doivent correspondre à la prise. Ne jamais modifier la fiche en aucune façon.** Ne jamais utiliser de fiche d'adaptation avec un outil électrique mis à la terre. Le risque de choc électrique sera réduit par l'utilisation de fiches non modifiées correspondant à la prise.
- Éviter tout contact physique avec des surfaces mises à la terre comme des tuyaux, des radiateurs, des cuisinières et des réfrigérateurs.** Le risque de choc électrique est plus élevé si votre corps est mis à la terre.
- Ne pas exposer les outils électriques à la pluie ou à d'autres conditions où il pourrait être mouillé.** La pénétration de l'eau dans un outil électrique augmente le risque de choc électrique.
- Ne pas utiliser abusivement le cordon d'alimentation. Ne jamais utiliser le cordon pour transporter, tirer ou débrancher un outil électrique. Tenir le cordon éloigné de la chaleur, de l'huile, des bords tranchants ou des pièces mobiles.** Les cordons endommagés ou emmêlés augmentent les risques de choc électrique.
- Pour l'utilisation d'un outil électrique à l'extérieur, se servir d'une rallonge convenant à une telle utilisation.** L'utilisation d'une rallonge conçue pour l'extérieur réduit les risques de choc électrique.
- S'il est impossible d'éviter l'utilisation d'un outil électrique dans un endroit humide, brancher l'outil dans une prise ou sur un circuit d'alimentation dotés d'un disjoncteur de fuite à la terre (GFCI).** L'utilisation de ce type de disjoncteur réduit les risques de choc électrique.

3) Sécurité personnelle

- Être vigilant, surveiller le travail effectué et faire preuve de jugement lorsqu'un outil électrique est utilisé. Ne pas utiliser d'outil électrique en cas de fatigue ou sous l'influence de drogues, d'alcool ou de médicaments.** Un simple moment d'inattention en utilisant un outil électrique peut entraîner des blessures corporelles graves.
- Utiliser des équipements de protection individuelle. Toujours porter une protection oculaire.** L'utilisation d'équipements de protection comme un masque antipoussière, des chaussures antidérapantes, un casque de sécurité ou des protecteurs auditifs lorsque la situation le requiert réduira les risques de blessures corporelles.
- Empêcher les démarrages intempestifs. S'assurer que l'interrupteur se trouve à la position d'arrêt avant de relier l'outil à une source d'alimentation et/ou d'insérer un bloc-piles, de ramasser ou de transporter l'outil.** Transporter un outil électrique alors que le doigt repose sur l'interrupteur ou brancher un outil électrique dont l'interrupteur est à la position de marche risque de provoquer un accident.
- Retirer toute clé de réglage ou clé standard avant de débrancher l'outil.** Une clé standard ou une clé de réglage attachée à une partie pivotante peut causer des blessures.
- Ne pas trop tendre les bras. Conserver son équilibre en tout temps.** Cela permet de mieux maîtriser l'outil électrique dans les situations imprévues.
- S'habiller de manière appropriée. Ne pas porter de vêtements amples ni de bijoux. Garder les cheveux, les vêtements et les gants à l'écart des pièces mobiles.** Les vêtements amples, les bijoux ou les cheveux longs risquent de rester coincés dans les pièces mobiles.
- Si des composants sont fournis pour le raccordement de dispositifs de dépoussiérage et de ramassage, s'assurer que ceux-ci sont bien raccordés et utilisés.** L'utilisation d'un dispositif de dépoussiérage peut réduire les dangers engendrés par les poussières.

4) Utilisation et entretien d'un outil électrique

- Ne pas forcer un outil électrique. Utiliser l'outil électrique approprié à l'application.** L'outil électrique approprié effectuera un meilleur travail, de façon plus sûre et à la vitesse pour laquelle il a été conçu.
- Ne pas utiliser un outil électrique dont l'interrupteur est défectueux.** Tout outil électrique dont l'interrupteur est défectueux est dangereux et doit être réparé.
- Débrancher la fiche du secteur ou le bloc-piles de l'outil électrique avant de faire tout réglage ou changement d'accessoire, ou avant de ranger l'outil électrique.** Ces mesures préventives réduisent les risques de démarrage accidentel de l'outil électrique.
- Ranger les outils électriques hors de la portée des enfants, et ne permettre à aucune personne n'étant pas familière avec un outil électrique (ou son manuel d'instruction) d'utiliser ce dernier.** Les outils électriques deviennent dangereux entre les mains d'utilisateurs inexpérimentés.
- Entretenir les outils électriques. Vérifier les pièces mobiles pour s'assurer qu'elles sont bien alignées et tournent librement, qu'elles sont en bon état et ne sont affectées par aucun trouble susceptible de nuire au bon fonctionnement de l'outil électrique. En cas de dommage, faire réparer l'outil électrique avant toute nouvelle utilisation.** Beaucoup d'accidents sont causés par des outils électriques mal entretenus.
- S'assurer que les outils de coupe sont aiguisés et propres.** Les outils de coupe bien entretenus et affûtés sont moins susceptibles de se coincer et sont plus faciles à contrôler.
- Utiliser l'outil électrique, les accessoires, les forets, etc. conformément aux présentes directives en tenant compte des conditions de travail et du travail à effectuer.** L'utilisation d'un outil électrique pour toute opération autre que celle pour laquelle il a été conçu est dangereuse.

5) Utilisation et entretien du bloc-piles

- Ne recharger l'outil qu'au moyen du chargeur précisé par le fabricant.** L'utilisation d'un chargeur qui convient à un type de bloc-piles risque de provoquer un incendie s'il est utilisé avec un autre type de bloc-piles.
- Utiliser les outils électriques uniquement avec les blocs-piles conçus à cet effet.** L'utilisation de tout autre bloc-piles risque de causer des blessures ou un incendie.
- Lorsque le bloc-piles n'est pas utilisé, le tenir éloigné des objets métalliques, notamment des trombones, de la monnaie, des clés, des clous, des vis, etc., qui peuvent établir une connexion entre les deux bornes.** Le court-circuit des bornes du bloc-piles risque de provoquer des étincelles, des brûlures ou un incendie.
- En cas d'utilisation abusive, le liquide peut gicler hors du bloc-piles, éviter tout contact. Si un contact accidentel se produit, laver à grande eau. Si le liquide entre en contact avec les yeux, obtenir des soins médicaux.** Le liquide qui gicle hors du bloc-piles peut provoquer des irritations ou des brûlures.

6) Réparation

- Faire réparer l'outil électrique par un réparateur professionnel en n'utilisant que des pièces de rechange identiques.** Cela permettra de maintenir une utilisation sécuritaire de l'outil électrique.

RÈGLES DE SÉCURITÉ SPÉCIFIQUES

- Porter des protecteurs auditifs si une perceuse à percussion est utilisée.** Une exposition au bruit peut entraîner une perte auditive.
- Utiliser les poignées auxiliaires fournies avec l'outil.** Une perte de maîtrise de l'outil peut entraîner des blessures corporelles.
- Saisir l'outil électrique par ses surfaces de prises isolées lorsque l'outil peut entrer en contact avec des fils cachés ou son cordon.** En cas de contact avec un fil sous tension, les pièces métalliques de l'outil seront sous tension et l'utilisateur subira des secousses électriques.
- Lorsqu'on est installé sur une échelle ou un échafaudage pour travailler, on doit déposer l'outil sur le côté lorsqu'on ne s'en sert plus.** Bien que certains outils munis d'un gros bloc-piles puissent être placés à la verticale, dans cette position, ils peuvent facilement être renversés.
- Utiliser des brides de fixation ou un autre dispositif de fixation permettant de fixer solidement et de soutenir la pièce sur une plateforme stable.** Tenir la pièce avec la main

ou contre son corps la rend instable et risque de provoquer une perte de maîtrise de l'outil. d'inattention lors de l'utilisation d'un outil électrique.

- **Tenir les cheveux, les vêtements et les gants loin des événements.** En effet, les événements cachent souvent des pièces mobiles qui risquent de happer ces articles.
- **Tenir fermement l'outil à deux mains.** Utiliser la poignée auxiliaire si l'outil en est muni. Sinon, saisir l'outil par le bas de poignée. Une perte de maîtrise de l'outil peut entraîner des blessures.
- ⚠ **AVERTISSEMENT : certains outils électriques, tels que les sableuses, les scies, les meules, les perceuses ou certains autres outils de construction, peuvent produire de la poussière contenant des produits chimiques reconnus par l'État de la Californie comme étant susceptibles d'entraîner le cancer, des malformations congénitales ou pouvant être nocifs pour le système reproductif. Parmi ces produits chimiques, on retrouve :**

- le plomb dans les peintures à base de plomb,
- la silice cristalline dans les briques et le ciment et autres produits de maçonnerie,
- l'arsenic et le chrome dans le bois de sciage ayant subi un traitement chimique.

Le risque associé à de telles expositions varie selon la fréquence avec laquelle on effectue ces travaux. Pour réduire l'exposition à de tels produits, il faut travailler dans un endroit bien aéré et utiliser le matériel de sécurité approprié, tel un masque anti-poussières spécialement conçu pour filtrer les particules microscopiques.

- **Évitez le contact prolongé avec les poussières produites par les activités de ponçage, sciage, meulage, perçage et autres activités de construction. Portez des vêtements de protection et lavez les parties du corps exposées avec une solution d'eau et de savon.** Le fait de laisser la poussière pénétrer par la bouche et les yeux, ou de la laisser reposer sur la peau, peut promouvoir l'absorption de produits chimiques nocifs.

⚠ **AVERTISSEMENT : Cet outil peut produire et répandre de la poussière susceptible de causer des dommages sérieux et permanents au système respiratoire.** Toujours utiliser un appareil respiratoire anti-poussières approuvé par le NIOSH ou l'OSHA. Diriger les particules dans le sens opposé du visage et du corps.

LIGNES DIRECTRICES EN MATIÈRE DE SÉCURITÉ - DÉFINITIONS

Il est important que vous lisiez et compreniez ce mode d'emploi. Les informations qu'il contient concernent VOTRE SÉCURITÉ et visent à ÉVITER TOUT PROBLÈME. Les symboles ci-dessous servent à vous aider à reconnaître cette information.

⚠ **DANGER :** Indique une situation dangereuse imminente qui, si elle n'est pas évitée, causera la mort ou des graves blessures.

⚠ **AVERTISSEMENT :** Indique une situation potentiellement dangereuse qui, si elle n'est pas évitée, pourrait causer la mort ou de graves blessures.

⚠ **MISE EN GARDE :** Indique une situation potentiellement dangereuse qui, si elle n'est pas évitée, pourrait causer des blessures mineures ou modérées.

MISE EN GARDE : Utilisé sans le symbole d'alerte à la sécurité, indique une situation potentiellement dangereuse qui, si elle n'est pas évitée, peut résulter en des dommages à la propriété.

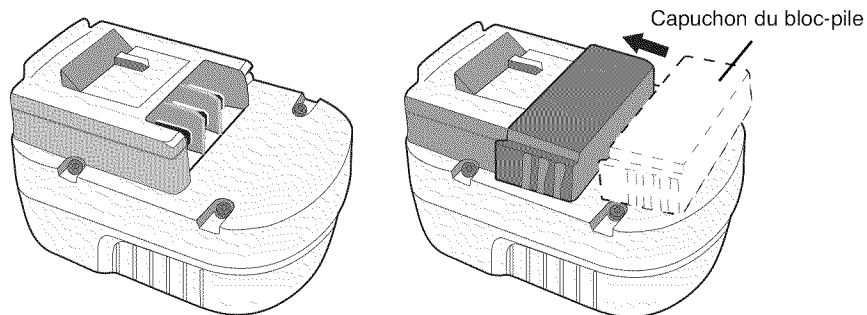
Symboles

L'étiquette de l'outil peut comporter les symboles suivants.

V	volts	A.....	ampères
Hz	hertz	W	watts
min.....	minutes	~	courant alternatif
====	courant continu	∅o	sous vide
☐	Construction de classe II	⊕	borne de mise à la minute
⚠	symbole d'avertissement	.../min	tours ou courses à la minute

INFORMATION CONCERNANT LE CAPUCHON DU BLOC-PILE

Un capuchon est fourni avec le bloc-pile en vue d'être utilisé chaque fois qu'on retire ce dernier de l'outil ou du chargeur en vue de le ranger ou de le transporter; enlever le capuchon avant de remettre le bloc-pile dans le chargeur ou dans l'outil.



⚠ **AVERTISSEMENT :** S'assurer, au moment de ranger ou de transporter un bloc-pile ou une pile, qu'aucun objet métallique n'entre en contact avec leurs bornes à découvert de celui-ci. Par exemple, il faut éviter de placer un bloc-pile ou une pile sans capuchon dans un tablier, une poche, une boîte à outils ou un tiroir (etc.) contenant des objets tels que des clous, des vis ou des clés, car tout contact entre les bornes à découvert et un objet métallique comme une clé, une pièce de monnaie, un outil à main, etc. pourrait causer un incendie. En effet, les règlements américains Hazardous Material Regulations (HMR) du US Department of Transportation interdisent le transport d'un bloc-pile ou d'une pile dans tout moyen de transport commercial ou aérien (que ce soit dans une valise ou le bagage de cabine) SAUF s'ils sont bien protégés contre les courts-circuits. On doit donc s'assurer, lorsqu'on transporte un bloc-pile ou une pile séparément, de bien protéger et isoler les bornes contre tout matériau qui risque d'entrer en contact avec eux et de causer un court-circuit.

DESCRIPTION FONCTIONNELLE

- A. Détente
- B. Bouton de marche avant/marche arrière
- C. Bague de réglage de couple
- D. Mandrin auto-serrant
- E. Porte-embout
- F. Bloc-piles
- G. Bouton de dégagement du bloc-piles
- H. Chargeur à fiche
- I. Chargeur cuvette

⚠ DIRECTIVES ET CONSIGNES DE SÉCURITÉ CONCERNANT LE CHARGEMENT BLOC-PILES

1. Le présent guide comprend d'importantes directives, dont un mode d'emploi et des consignes de sécurité.
 2. Avant d'utiliser le chargeur, lire toutes les directives et les étiquettes de mise en garde apposées sur (1) le chargeur, (2) la pile et (3) le produit utilisant la pile.
 3. ⚠ **MISE EN GARDE :** afin de réduire les risques de blessure, ne charger que des blocs-piles Black & Decker, car les autres peuvent éclater et entraîner des blessures ou des dommages matériels.
 4. Ne pas exposer le chargeur à la pluie ou à la neige.
 5. L'utilisation d'un accessoire n'étant ni recommandé ni vendu par Black & Decker peut entraîner des risques d'incendie, de choc électrique ou de blessure.
 6. Afin de réduire les risques de dommage à la fiche ou au cordon électrique, débrancher le chargeur en saisissant la fiche, non le cordon.
 7. S'assurer que le cordon est placé de manière à éviter qu'il ne subisse des dommages ou des contraintes ou que les personnes s'y prennent les pieds et trébuchent.
 8. Ne pas utiliser de rallonge à moins que cela ne soit absolument nécessaire, car l'usage d'une rallonge ayant une puissance inadéquate pourrait causer des risques d'incendie, de choc électrique ou d'électrocution.
- a) Bien qu'on puisse utiliser un cordon bifilaire avec une rallonge bifilaire ou trifilaire, on ne doit utiliser qu'une rallonge à cordon; on recommande que celle-ci soit approuvée par l'organisme américain Underwriters Laboratories (UL). Lorsqu'on utilise un outil électrique à l'extérieur, on ne doit utiliser que des rallonges conçues pour cet usage, comme celles de type W-A ou W. Toute rallonge conçue pour un usage extérieur peut aussi être employée à l'intérieur.

- b) Afin d'éviter une perte de puissance ou une surchauffe et d'assurer la sécurité de l'utilisateur, la rallonge doit être de calibre AWG approprié. Plus le calibre est petit, plus la capacité est grande; autrement dit, une rallonge de calibre 16 est plus puissante qu'une rallonge de calibre 18. Lorsqu'on utilise plusieurs rallonges pour obtenir la longueur voulue, s'assurer que chacune d'elles présente les valeurs minimales requises.

CALIBRE MINIMAL RECOMMANDÉ DES RALLONGES (INTENSITÉ NOMINALE DE 0,0 À 10,0 AMPÈRES)

Longueur totale de la rallonge (en pieds)	25	50	75	100	125	150
Calibre AWG	18	18	16	16	14	14

9. Utiliser seulement le chargeur fourni pour charger votre batterie. L'utilisation de tout autre chargeur risque d'endommager la batterie ou de créer une condition dangereuse.
 10. N'utiliser qu'un seul chargeur durant le chargement.
 11. Ne pas tenter d'ouvrir le chargeur. Aucune pièce à l'intérieur ne peut être réparée par le client. Retourner le produit à tout centre de réparation Black & Decker autorisé.
 12. N'INCINÉREZ PAS le bloc de batteries même s'il est sérieusement endommagé ou complètement usé. Les piles peuvent exploser dans un feu.
 13. Ne pas incinérer les piles, car elles peuvent exploser en présence de flammes. Les cellules peuvent subir une fuite légère par suite d'un usage extrême, du chargement ou d'une exposition à certaines températures; cela n'indique pas un problème. Cependant, si le scellant externe est percé et le liquide entre en contact avec la peau, on doit :
 - a. se laver rapidement la partie du corps touchée avec de l'eau savonneuse;
 - b. neutraliser l'effet au moyen d'un acide doux tel que du jus de citron ou du vinaigre;
 - c. si les yeux sont touchés, les rincer à fond avec de l'eau propre pendant au moins 10 minutes et consulter immédiatement un médecin.
- REMARQUE AUX FINS MÉDICALES :** ce liquide contient une solution composée de 25 à 35 % d'hydroxyde de potassium.

CHARGEMENT DU BLOC-PILES

La perceuse utilise un chargeur à fiche ou un chargeur cuvette. Les deux modèles sont décrits ci-dessous. Respecter les directives pour le type de chargeur utilisé. Ils sont conçus pour une alimentation standard à 120 V c.a., 60 Hz. Ne pas utiliser un courant continu ou toute autre tension.

LES BLOC-PILES NE SONT PAR COMPLÈTEMENT CHARGÉS À LEUR SORTIE DE L'USINE. AVANT DE LES CHARGER, LIRE ATTENTIVEMENT TOUTES LES DIRECTIVES DE SÉCURITÉ.

DIRECTIVES POUR LES CHARGEURS À FICHE :

1. Insérer le bloc-piles dans l'outil jusqu'à ce qu'il s'enclenche en position.
2. Insérer la fiche du chargeur dans le connecteur comme montré à la **figure 1**.
3. Brancher le chargeur dans toute prise électrique standard de 120 volts à 60 Hz puis laisser le bloc-piles se charger pendant **9 heures** la première fois. Après la première charge, dans le cas d'une utilisation normale, le bloc-piles devrait se charger entièrement en **3 à 6 heures**.
4. Débrancher d'abord le chargeur de la prise secteur puis dégager l'outil du chargeur.

⚠ **AVERTISSEMENT : ne pas utiliser l'outil lorsqu'il est branché au chargeur.**

REMARQUE : pour retirer le bloc-piles de la perceuse, enfoncer le bouton de dégagement au dos du bloc-piles (figure 2), puis le tirer hors de l'outil.

DIRECTIVES POUR LES CHARGEURS CUVETTES :

1. Brancher le chargeur dans une prise électrique standard de 120 volts, 60 Hz.
 2. Glisser le chargeur sur le bloc-piles comme montré à la **figure 3** puis laissez le bloc-piles se charger durant **9 heures** pour la première fois. Après la première charge, dans le cas d'une utilisation normale, le bloc-piles devrait se recharger entièrement entre **3 et 6 heures**.
 3. Débrancher le chargeur, puis enlever le bloc-piles. Insérer le bloc-piles dans l'outil jusqu'à ce qu'il s'enclenche en position.
- REMARQUE :** pour retirer le bloc-piles de la perceuse, enfoncer le bouton de dégagement au dos du bloc-piles (figure 2), puis le tirer hors de l'outil.

NOTES IMPORTANTES RELATIVES AU CHARGEMENT

1. À la suite d'une utilisation normale, le bloc-pile devrait prendre de 3 à 6 heures pour se charger complètement, et jusqu'à 9 heures s'il est complètement déchargé. Le bloc-pile n'est pas chargé au moment de quitter l'usine; on doit donc le charger pendant au moins 9 heures avant de l'utiliser.
2. Afin d'éviter d'endommager le bloc-pile, il est important de NE PAS le charger à des températures inférieures à 4,5 °C (40 °F) ou supérieures à 40,5 °C (105 °F). Pour augmenter la durée de vie du bloc-pile et optimiser son rendement, le charger à une température d'environ 24°C (75 °F).
3. Le chargeur peut émettre un bourdonnement ou devenir chaud au toucher durant le chargement. Cela est normal et n'indique pas la présence d'un problème.
4. Si le bloc-pile ne se charge pas normalement, il faut : (1) vérifier l'alimentation de la prise en y enfichant une lampe ou un appareil, (2) s'assurer que la prise n'est pas raccordée à un interrupteur qui coupe le courant lorsqu'on éteint les lumières, (3) placer le chargeur et le bloc-pile dans un endroit où la température ambiante est environ 4,5 °C (40 °F) à 40,5 °C (105 °F) ou, si le problème persiste, (4) retourner le bloc-pile et le chargeur au centre de service Black & Decker le plus près (les centres de service autorisés sont répertoriés dans les pages jaunes sous la rubrique «Outils - électriques»).
5. Le bloc-pile doit être rechargé lorsqu'il ne produit pas suffisamment de courant pour permettre à l'utilisateur de travailler normalement. On doit **CESSE**r d'utiliser la perceuse dans de telles conditions.
6. On peut prolonger la durée de vie du bloc-pile en évitant de le laisser dans le chargeur pendant de longues périodes (plus de 30 jours lorsqu'on ne l'utilise pas). Bien que la surcharge du bloc-pile ne soit pas un problème au niveau de la sécurité, cette pratique peut réduire de façon appréciable sa durée de vie.
7. Lorsqu'on insère le bloc-pile dans le chargeur, le témoin rouge s'allume pour indiquer que le contact entre le bloc-pile et le chargeur s'est établi; celui-ci reste allumé tant que le bloc-pile est dans le chargeur et que ce dernier est enfiché dans une prise sous tension. Le témoin **NE CLIGNOTERA PAS**, ne s'éteindra pas et ne changera pas de couleur une fois la période de charge terminée.
8. Le bloc-pile atteindra son rendement optimal après avoir terminé cinq cycles de charge et de décharge au cours d'une utilisation normale. Il n'est pas nécessaire de décharger complètement le bloc-pile avant de le recharger. Le meilleur moyen de charger et de décharger le bloc-pile est de l'utiliser normalement.

MODE D'EMPLOI

INSERTION ET RETRAIT DU BLOC-PILES

REMARQUE : s'assurer que le bloc-piles est entièrement chargé.

Pour l'installer dans la poignée de l'outil, aligner la base de l'outil avec les rainures situées à l'intérieur de la poignée et glisser le bloc-piles fermement dans la poignée jusqu'à ce qu'on entende un déclic indiquant qu'il est bien enclenché.

Pour retirer le bloc-piles hors de l'outil, appuyer sur le bouton de dégagement (G) du bloc-piles et le tirer fermement hors de la poignée (figure 2).

INTERRUPTEUR À GÂCHETTE ET BOUTON DE COMMANDE DE MARCHÉ ARRIÈRE – FIGURE 4

Enfoncer puis relâcher l'interrupteur à gâchette (A) (fig. 4) pour démarrer et arrêter l'outil. Plus on enfonce l'interrupteur, plus la vitesse augmente. Un bouton de commande de marche avant / arrière (B), qui sert aussi de bouton de verrouillage en position d'arrêt, détermine la direction de marche de l'outil. Pour choisir une rotation en marche avant, relâcher la détente et enfoncer le bouton de commande marche avant/marche arrière vers la gauche. Pour choisir la marche arrière, abaisser le bouton de commande marche avant/marche arrière vers la droite. La position centrale du bouton sert à verrouiller l'outil en position d'arrêt. On doit toujours relâcher la gâchette lorsqu'on change la position du bouton.

RÉGULATEUR DE COUPLE – FIGURE 5

Pour régler le correcteur de couple, faites tourner le collet ajustable du correcteur jusqu'à la position désirée. Il y a 24 réglages d'embrayage possibles. Ceux-ci sont indiqués par des chiffres insérés autour de la bague de réglage de couple. Pour un travail léger avec des petites vis, réglez la bague au nombre le moins élevé. Chaque déclic dans le sens inverse des aiguilles d'une montre indique une augmentation du couple. Si l'embrayage glisse au réglage le plus bas, tournez la bague sur un nombre plus élevé. Sa position la plus élevée est le mode perceuse. Il est indiqué par une icône représentant une perceuse. Dans cette position, l'embrayage ne fonctionnera pas. Ceci permet un perçage à grand rendement.

MANDRIN SANS CLÉ - FIGURE 6

Pour insérer une mèche ou autre accessoire :

1. Saisir la bague du mandrin d'une main. De l'autre, faire tourner le mandrin dans le sens antihoraire - si on se place à l'extrémité du mandrin.

2. Insérer à fond la mèche, ou tout autre accessoire, dans le mandrin et serrer solidement en tenant la section arrière du mandrin tout en faisant tourner la section avant du mandrin dans le sens horaire - si on se place à l'extrémité du mandrin.

⚠ AVERTISSEMENT : ne pas tenter de serrer une mèche (ou tout autre accessoire) en saisissant la partie avant du mandrin et en mettant l'outil en marche; cela pourrait endommager le mandrin ou entraîner des blessures lorsqu'on change un accessoire.

MODE TOURNEVIS

Pour enfoncer des attaches, pousser le bouton de commande de marche arrière vers la gauche; pousser le bouton vers la droite pour les retirer. On doit toujours relâcher l'interrupteur à gâchette lorsqu'on change la position du bouton de la marche avant à la marche arrière, ou vice versa.

MODE PERÇAGE

- Utiliser des mèches aiguisées seulement.
- Bien soutenir et fixer la pièce, conformément aux consignes de sécurité.
- Utiliser le matériel de sécurité approprié, conformément aux consignes de sécurité.
- Garder la zone de travail propre et sécuritaire, conformément aux consignes de sécurité.
- Faire fonctionner la perceuse très lentement en exerçant une légère pression, jusqu'à ce que le trou soit suffisamment profond pour empêcher la mèche d'en sortir.
- Appliquer une pression en ligne droite au moyen de la mèche en exerçant juste assez de pression pour permettre à la mèche de mordre dans la pièce, en évitant de caler le moteur ou de faire dévier la mèche.
- **Saisir fermement la perceuse des deux mains afin de maîtriser la torsion de cette dernière.**
- **NE PAS ENFONCER ET RELÂCHER LA GÂCHETTE À PLUSIEURS REPRISES POUR ESSAYER DE REDÉMARRER LA PERCEUSE AFIN D'ÉVITER DE L'ENDOMMAGER.**
- Réduire les risques de calage au minimum en réduisant la pression lorsque la mèche perce le matériau et en perçant lentement la dernière section du trou.
- Maintenir le moteur en marche lorsqu'on retire la mèche du trou percé afin d'éviter qu'elle reste coincée.
- Utiliser une huile de coupe pour percer des métaux, à l'exception de la fonte et du laiton, car ces derniers doivent être percés à sec. Les meilleurs lubrifiants sont l'huile sulfurée et l'huile de lard.
- Lorsqu'on utilise des mèches hélicoïdales pour percer des trous dans le bois, il faut sortir les mèches fréquemment pour enlever les copeaux restés coincés dans les cannelures.
- **S'assurer que l'interrupteur peut mettre la perceuse en position de marche ou d'arrêt.**

PERÇAGE DU BOIS

On peut percer le bois au moyen des mèches hélicoïdales qu'on utilise pour le métal ou de mèches à vrille. On doit utiliser des mèches bien aiguisées et les sortir fréquemment pour enlever les copeaux restés coincés dans les cannelures.

PERÇAGE DU MÉTAL

Utiliser une huile de coupe lorsqu'on perce des métaux, à l'exception de la fonte et du laiton, car ces derniers doivent être percés à sec. Pour cette tâche, les meilleurs lubrifiants sont l'huile sulfurée et l'huile de lard.

PERÇAGE DE LA MAÇONNERIE

Utiliser des mèches à pointe carburée (voir la section « Mode perçage »). Maintenir une pression uniforme sur la perceuse, sans trop forcer pour éviter de fissurer les matériaux plus cassants. La vitesse choisie est appropriée lorsque la poussière est soulevée uniformément et régulièrement.

Dépannage

Problème	Cause possible	Solution possible
• L'appareil refuse de démarrer.	• Mauvaise installation de la batterie. • Pile non chargée.	• Vérifier l'installation de la batterie. • Vérifier les exigences de charge pour la pile.
• La pile ne se charge pas.	• Pile non insérée dans le chargeur. • Chargeur non branché.	• Insérer la pile dans le chargeur de sorte que le voyant DEL rouge apparaisse. • Brancher le chargeur dans une prise qui fonctionne. Se reporter à la rubrique « Remarques importantes de chargement » pour plus de renseignements.
	• Température ambiante trop chaude ou froide.	• Déplacer le chargeur et l'outil à une température ambiante de plus de 4,5 °C (40 °F) ou sous les 40,5 °C (105 °F) 105 degree F (+40,5°C).

Pour de l'aide avec l'outil, consulter notre site Web www.blackanddecker.com pour l'emplacement du centre de réparation le plus près ou communiquer avec l'assistance BLACK & DECKER au **1-800-544-6986**.

ENTRETIEN

N'utiliser que du savon doux et un chiffon humide pour nettoyer l'outil; ne jamais laisser de liquide pénétrer à l'intérieur de ce dernier et ne jamais l'immerger dans un liquide quelconque.

IMPORTANT : pour assurer la SÉCURITÉ et la FIABILITÉ de cet outil, toutes les opérations de réparation, d'entretien et de réglage (autres que celles décrites aux présentes) doivent être effectuées par un centre de service autorisé ou qualifié; on ne doit utiliser que des pièces de rechange identiques.

SCEAU RBRC^{MC}

Le sceau RBRC^{MC} de la Rechargeable Battery Recycling Corporation apposé sur la pile au nickel-cadmium (ou le bloc-pile) indique que les coûts de recyclage de ce dernier à la fin de sa vie utile ont déjà été payés par Black & Decker. En certains endroits, la mise au rebut ou aux ordures municipales des piles au nickel-cadmium est illégale; le programme de «RBRC» constitue donc une solution des plus pratiques et écologiques.

La «RBRC», en collaboration avec Black & Decker et d'autres utilisateurs de piles, a mis sur pied des programmes aux États-Unis et au Canada dans le but de faciliter la collecte des piles déchargées. Black & Decker encourage ses utilisateurs à participer à son programme de protection de l'environnement et de conservation des ressources naturelles en retournant les piles usagées à un centre de service autorisé Black & Decker ou chez un dépositaire local afin qu'elles puissent être recyclées. On peut en outre se renseigner auprès d'un centre de recyclage local pour connaître d'autres sites les acceptant, ou composer le **1 800 8-228-8379** pour obtenir de l'information sur le recyclage de ces piles dans sa région.

ACCESSOIRES

Les accessoires recommandés pour chaque outil sont offerts chez les dépositaires locaux ou dans les centres de service autorisés. Pour obtenir plus d'information sur les accessoires, composer le **1 800 544-6986**.

⚠ AVERTISSEMENT : l'usage d'un accessoire non recommandé peut présenter un danger.

On ne doit utiliser que des accessoires ayant les dimensions précisées ci-dessous : MÈCHES À MÉTAL - jusqu'à 9,5 mm (3/8 po); MÈCHES À MAÇONNERIE - jusqu'à 9,5 mm (3/8 po); MÈCHES À BOIS - jusqu'à 12,7 mm (1/2 po)

RENSEIGNEMENTS RELATIFS AU SERVICE

Black & Decker exploite un réseau complet de centres de service et d'ateliers d'entretien autorisés par toute l'Amérique du Nord. Le personnel de tous les centres de service Black & Decker a reçu la formation voulue pour assurer l'entretien efficace et fiable des outils électriques.

Pour obtenir des renseignements d'ordre technique, des conseils relatifs aux réparations ou des pièces de rechange d'origine, communiquer avec le centre de service Black & Decker de la région. On peut trouver l'adresse du centre de service de la région dans l'annuaire des Pages Jaunes à la rubrique «Outils électriques» ou en composant le numéro suivant : **1 (800) 544-6986**.

GARANTIE COMPLÈTE DE DEUX ANS POUR UTILISATION DOMESTIQUE

Black & Decker garantit le produit pour une période de deux ans contre les vices de matière ou de fabrication. Le produit défectueux sera réparé ou remplacé sans frais conformément à l'une des conditions suivantes.

Pour échanger l'outil, il suffit de le retourner au détaillant (si le détaillant participe au programme d'échange rapide Black & Decker). Le retour doit être effectué dans les délais impartis par la politique de retour du détaillant (habituellement entre 30 et 90 jours suivant la date d'achat). Le détaillant peut exiger une preuve d'achat. Prière de vérifier la politique de retour du détaillant au-delà des délais impartis.

On peut également retourner l'outil (port payé) à un centre de service Black & Decker ou à tout autre atelier d'entretien accrédité pour y être remplacé ou réparé, à notre gré. On peut exiger une preuve d'achat. Les adresses des centres de service Black & Decker se trouvent à la rubrique «Outils électriques» des Pages Jaunes.

La présente garantie ne vaut pas pour les accessoires. Les modalités de la présente garantie donnent des droits légaux spécifiques. L'utilisateur peut également se prévaloir d'autres droits selon l'état ou la province qu'il habite. Pour obtenir de plus amples renseignements, communiquer avec le directeur du centre de service Black & Decker de la région. Le produit n'est pas conçu pour un usage commercial.

Remplacement gratuit des étiquettes d'avertissement : Si vos étiquettes d'avertissement deviennent illisibles ou sont manquantes, composez le **1 (800) 544-6986** pour faire remplacer gratuitement vos étiquettes.

Imported by / Importé par
Black & Decker Canada Inc.
100 Central Ave.
Brockville (Ontario) K6V 5W6

Voir la rubrique «Outils électriques»
des Pages Jaunes
pour le service et les ventes.



MANUAL DE INSTRUCCIONES

¡GRACIAS POR ELEGIR BLACK & DECKER!
VAYA A WWW.BLACKANDDECKER.COM/NEWOWNER
PARA REGISTRAR SU NUEVO PRODUCTO.

ANTES DE DEVOLVER ESTE PRODUCTO POR
CUALQUIER MOTIVO, LLAME AL

(55)5326-7100

ANTES DE LLAMAR, TENGA EL NÚMERO DE CATÁLOGO Y EL CÓDIGO DE FECHA PREPARADOS. EN LA MAYORÍA DE LOS CASOS, UN REPRESENTANTE DE BLACK & DECKER PUEDE RESOLVER EL PROBLEMA POR TELÉFONO. SI DESEA REALIZAR UNA SUGERENCIA O COMENTARIO, LLÁMENOS. SU OPINIÓN ES FUNDAMENTAL PARA BLACK & DECKER.

Advertencias generales de seguridad para herramientas eléctricas

⚠ ADVERTENCIA: Lea todas las advertencias de seguridad e instrucciones. El incumplimiento de las advertencias e instrucciones puede provocar descargas eléctricas, incendios o lesiones graves.

Conserve todas las advertencias e instrucciones para futuras consultas.

El término “herramienta eléctrica” incluido en las advertencias hace referencia a las herramientas eléctricas operadas con corriente (con cable eléctrico) o a las herramientas eléctricas operadas con baterías (inalámbricas).

1) Seguridad en el área de trabajo

- Mantenga el área de trabajo limpia y bien iluminada.** *Las áreas abarrotadas y oscuras propician accidentes.*
- No opere herramientas eléctricas en atmósferas explosivas, como ambientes donde se encuentran líquidos, gases o polvo inflamables.** *Las herramientas eléctricas originan chispas que pueden encender el polvo o los vapores.*
- Mantenga a los niños y espectadores alejados de la herramienta eléctrica en funcionamiento.** *Las distracciones pueden provocar la pérdida de control.*

2) Seguridad eléctrica

- Los enchufes de la herramienta eléctrica deben adaptarse al tomacorriente.** **Nunca modifique el enchufe de ninguna manera. No utilice ningún enchufe adaptador con herramientas eléctricas con conexión a tierra.** *Los enchufes no modificados y que se adaptan a los tomacorrientes reducirán el riesgo de descarga eléctrica.*
- Evite el contacto corporal con superficies puestas a tierra, como por ejemplo tuberías, radiadores, rangos y refrigeradores.** *Existe mayor riesgo de descarga eléctrica si su cuerpo está puesto a tierra.*
- No esponga las herramientas eléctricas a la lluvia o a condiciones de humedad.** *Si ingresa agua a una herramienta eléctrica, aumentará el riesgo de descarga eléctrica.*
- No maltrate al cable.** **Nunca utilice el cable para transportar, tirar o desenchufar la herramienta eléctrica.** **Mantenga el cable lejos del calor, aceite, bordes afilados o piezas móviles.** *Los cables dañados o enredados aumentan el riesgo de descarga eléctrica.*
- Al operar una herramienta eléctrica en el exterior, utilice un cable prolongador adecuado para tal uso.** *Utilice un cable adecuado para uso en exteriores a fin de reducir el riesgo de descarga eléctrica.*
- Si el uso de una herramienta eléctrica en un lugar húmedo es imposible de evitar, utilice un suministro protegido con un interruptor de circuito por falla a tierra (GFCI).** *El uso de un GFCI reduce el riesgo de descargas eléctricas.*

3) Seguridad personal

- Permanezca alerta, controle lo que está haciendo y utilice el sentido común cuando emplee una herramienta eléctrica.** *No utilice una herramienta eléctrica si está cansado o bajo el efecto de drogas, alcohol o medicamentos. Un momento de descuido mientras se opera una herramienta eléctrica puede provocar lesiones personales graves.*
- Utilice equipos de protección personal. Siempre utilice protección para los ojos.** *En las condiciones adecuadas, el uso de equipos de protección, como máscaras para polvo, calzado de seguridad antideslizante, cascos o protección auditiva, reducirá las lesiones personales.*
- Evite el encendido por accidente. Asegúrese de que el interruptor esté en la posición de apagado antes de conectarlo a la fuente de energía o paquete de baterías, o antes de levantar o transportar la herramienta.** *Transportar herramientas eléctricas con el dedo apoyado en el interruptor o enchufar herramientas eléctricas con el interruptor en la posición de encendido puede propiciar accidentes.*
- Retire las clavijas de ajuste o llaves de tuercas antes de encender la herramienta eléctrica.** *Una llave de tuercas o una clavija de ajuste que se deje conectada a una pieza giratoria de la herramienta eléctrica pueden provocar lesiones personales.*
- No se estire.** **Conserve el equilibrio adecuado y manténgase parado correctamente en todo momento.** *Esto permite un mejor control de la herramienta eléctrica en situaciones inesperadas.*
- Use la vestimenta adecuada. No use ropas holgadas ni joyas.** **Mantenga el cabello, la ropa y los guantes alejados de las piezas en movimiento.** *Las ropas holgadas, las joyas o el cabello largo pueden quedar atrapados en las piezas en movimiento.*
- Si se suministran dispositivos para la conexión de accesorios con fines de recolección y extracción de polvo, asegúrese de que estén conectados y que se utilicen correctamente.** *El uso de dispositivos de recolección de polvo puede reducir los peligros relacionados con el polvo.*

4) Uso y mantenimiento de la herramienta eléctrica

- No fuerce la herramienta eléctrica. Utilice la herramienta eléctrica correcta para el trabajo que realizará.** La herramienta eléctrica correcta hará el trabajo mejor y más seguro a la velocidad para la que fue diseñada.
- No utilice la herramienta eléctrica si no puede encenderla o apagarla con el interruptor.** Toda herramienta eléctrica que no puede ser controlada mediante el interruptor es peligrosa y debe ser reparada.
- Desconecte el enchufe de la fuente de energía y/o el paquete de baterías de la herramienta eléctrica antes de realizar ajustes, cambiar accesorios o almacenar herramientas eléctricas.** Estas medidas de seguridad preventivas reducen el riesgo de encender la herramienta eléctrica en forma accidental.
- Guarde las herramientas eléctricas que no están en uso fuera del alcance de los niños y no permite que otras personas no familiarizadas con ella o con estas instrucciones operen la herramienta.** Las herramientas eléctricas son peligrosas en las manos de usuarios no entrenados.
- Mantenimiento de las herramientas eléctricas.** Controle que no haya piezas móviles mal alineadas o trabadas, piezas rotas y toda otra situación que pueda afectar el funcionamiento de las herramientas eléctricas. Si encuentra daños, haga reparar la herramienta eléctrica antes de utilizarla. Se producen muchos accidentes a causa de las herramientas eléctricas que carecen de un mantenimiento adecuado.
- Mantenga las herramientas de corte afiladas y limpias.** Las herramientas de corte con mantenimiento adecuado, con los bordes de corte afilados son menos propensas a trabarse y son más fáciles de controlar.
- Utilice la herramienta eléctrica, los accesorios y las brocas de la herramienta, etc. de acuerdo con estas instrucciones y teniendo en cuenta las condiciones de trabajo y el trabajo que debe realizarse.** El uso de la herramienta eléctrica para operaciones diferentes de aquéllas para las que fue diseñada podría originar una situación peligrosa.

5) Uso y mantenimiento de la herramienta con baterías

- Recargue solamente con el cargador especificado por el fabricante.** Un cargador adecuado para un tipo de paquete de baterías puede originar riesgo de incendio si se utiliza con otro paquete de baterías.
- Utilice herramientas eléctricas sólo con paquetes de baterías específicamente diseñados.** El uso de cualquier otro paquete de baterías puede producir riesgo de incendio y lesiones.
- Cuando no utilice el paquete de baterías, manténgalo lejos de otros objetos metálicos como sujetapapeles, monedas, llaves, clavos, tornillos u otros objetos metálicos pequeños que puedan realizar una conexión desde un terminal al otro.** Los cortocircuitos en los terminales de la batería pueden provocar quemaduras o incendio.
- En condiciones abusivas, el líquido puede ser expulsado de la batería. Evite su contacto. Si entra en contacto accidentalmente, enjuague con agua. Si el líquido entra en contacto con sus ojos, busque atención médica.** El líquido expulsado de la batería puede provocar irritación o quemaduras.

6) Mantenimiento

- Haga que una persona de reparaciones calificada realice el mantenimiento de su herramienta eléctrica y utilice piezas de repuesto idénticas solamente.** Esto garantizará la seguridad de la herramienta eléctrica.

NORMAS DE SEGURIDAD ESPECÍFICAS

- Utilice protectores auditivos con los taladros de impacto.** La exposición al ruido puede ocasionar la pérdida de la audición.
 - Use los mangos auxiliares que se suministran con la herramienta.** La pérdida del control podría ocasionar lesiones personales.
 - Sujete la herramienta eléctrica por las superficies aislantes cuando realice una operación en que la herramienta pueda hacer contacto con cableados ocultos.** Al hacer contacto con un cable "vivo", las partes metálicas de la herramienta se vuelven "vivas" y pueden originar un choque al operador.
 - Cuando trabaje en una escalera o una plataforma asegúrese de dejar la herramienta de lado cuando no la use.** Algunas herramientas con baterías grandes se paran sobre su base, pero se pueden volcar fácilmente.
 - Utilice abrazaderas u otra forma práctica para asegurar y sostener la pieza de trabajo sobre una plataforma estable.** Sostener el trabajo con la mano o contra el cuerpo no brinda la estabilidad requerida y puede llevar a la pérdida del control.
 - Mantenga el cabello, la ropa y los guantes alejados de los orificios de ventilación.** Los orificios de ventilación suelen cubrir piezas móviles donde estos elementos se pueden enganchar.
 - Sostenga la herramienta firmemente con ambas manos.** Utilice el mango auxiliar, en caso de tenerlo. Si no tiene mango auxiliar, agarre la herramienta por la parte inferior de la manija. La pérdida del control podría ocasionar lesiones personales.
- ⚠ ADVERTENCIA:** parte del polvo producido por las herramientas eléctricas al lijar, aserrar, esmerilar, taladrar y realizar otras actividades de la construcción, contiene productos químicos reconocidos por el Estado de California como causantes de cáncer, defectos de nacimiento u otros problemas reproductivos. Algunos de estos productos químicos son:
- el plomo de las pinturas de base plomo,
 - la sílice cristalina de ladrillos, el cemento y otros productos de mampostería, y
 - el arsénico y el cromo de la madera con tratamiento químico.

El riesgo derivado de estas exposiciones varía según la frecuencia con la que se realice este tipo de trabajo. Para reducir la exposición a estos productos químicos: trabaje en áreas bien ventiladas y trabaje con equipos de seguridad aprobados, como las máscaras para polvo especialmente diseñadas para filtrar las partículas microscópicas.

- Evite el contacto prolongado con el polvo proveniente del lijado, aserrado, amolado y taladrado eléctrico y otras actividades de construcción. Use vestimenta protectora y lave todas las áreas expuestas con agua y jabón.** De entrar polvo en sus ojos, boca, o que este permanezca sobre su piel puede promover la absorción de químicos dañinos.
- ADVERTENCIA:** El uso de esta herramienta puede generar y/o dispersar el polvo, el cual puede ocasionar lesión respiratoria u otro tipo de lesión grave y permanente. Utilice siempre protección respiratoria NIOSH/OSHA apropiada para la exposición al polvo. Dirija las partículas lejos de su cara o su cuerpo.

PAUTAS DE SEGURIDAD/DEFINICIONES

Es importante que lea y comprenda este manual. La información que contiene se relaciona con la protección de SU SEGURIDAD y la PREVENCIÓN DE PROBLEMAS. Los símbolos que siguen se utilizan para ayudarlo a reconocer esta información.

⚠ PELIGRO: indica una situación de peligro inminente que, si no se evita, provocará la muerte o lesiones graves.

⚠ ADVERTENCIA: indica una situación de peligro potencial que, si no se evita, provocará la muerte o lesiones graves.

⚠ PRECAUCIÓN: indica una situación de peligro potencial que, si no se evita, provocará lesiones leves o moderadas.

PRECAUCIÓN: utilizado sin el símbolo de alerta de seguridad indica una situación de peligro potencial que, si no se evita, puede provocar daños en la propiedad.

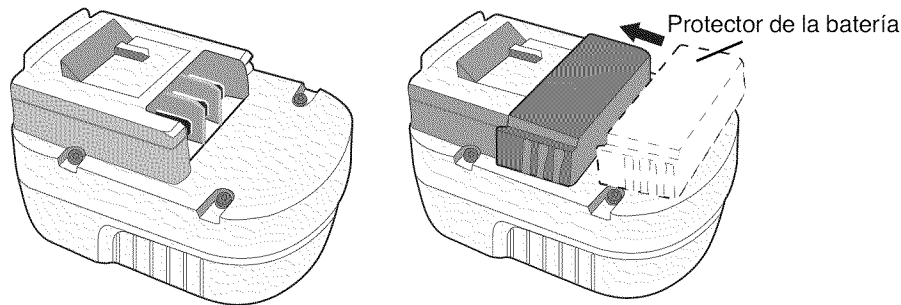
Símbolos

La etiqueta de su herramienta puede incluir los siguientes símbolos.

V	volts	A	amperes
Hz	hertz	W	watts
min	minutos	~	corriente alterna
====	corriente directa	no	velocidad sin carga
☐	construcción clase II	⊕	terminales de conexión a tierra
⚠	símbolo de alerta seguridad	.../min	revoluciones o reciprocaciones por minuto

INFORMACIÓN RESPECTO A LA TAPA PARA LA BATERÍA

Se proveen tapas para batería para uso cuando ésta se encuentre fuera de la herramienta o el cargador. Quite la tapa antes de colocar la batería en el cargador o la herramienta.



⚠ ADVERTENCIA: No guarde ni lleve baterías, unidades de alimentación o pilas en un lugar donde sus terminales pudieran entrar en contacto con algún objeto metálico. Por ejemplo, no ponga baterías, unidades de alimentación o pilas dentro de un delantal o bolsillo, una caja de herramientas o de almacenamiento del producto, un cajón, etc., junto con clavos sueltos, tornillos, llaves, etc. si no están debidamente protegidas. El transporte de baterías, unidades de alimentación o pilas puede causar un incendio si sus terminales entran en contacto sin querer con materiales conductores como llaves, monedas, herramientas de mano y otros por el estilo. De hecho, el reglamento sobre materiales peligrosos (HMR) del Ministerio de Transporte de los Estados Unidos prohíbe el transporte de baterías, unidades de alimentación o pilas en cualquier tipo de transporte terrestre o aéreo (es decir, embaladas en maletas y maletines de mano) A NO SER que estén debidamente protegidas de hacer cortocircuito. Por lo tanto, cuando transporte baterías, unidades de alimentación o pilas individuales, asegúrese que sus terminales estén protegidos y debidamente aislados de materiales que pudieran entrar en contacto con ellos y causar un cortocircuito.

DESCRIPCIÓN DE LAS FUNCIONES

- Interruptor disparador
- Botón de avance/reversa
- Anillo de ajuste de torsión
- Portabrocas sin llave
- Portabrocas
- Batería
- Botón de liberación de la batería
- Cargador para enchufe hembra
- Cargador de base

⚠ ADVERTENCIAS E INSTRUCCIONES DE SEGURIDAD: CÓMO CARGAR PAQUETE DE BATERÍAS

- Este manual contiene instrucciones de seguridad y operación importantes.
- Antes de usar el cargador de batería, lea todas las instrucciones y marcas de advertencia en (1) el cargador de la batería, (2) la batería y (3) el producto que utiliza la batería.
- ⚠ ATENCIÓN:** Para reducir el riesgo de lesión, sólo cargue unidades de alimentación Black & Decker. Otros tipos de baterías podrían reventarse y causar lesiones corporales y otros daños.
- No exponga el cargador a lluvia o nieve.
- El uso de un accesorio no recomendado o vendido por Black & Decker podría resultar en riesgo de incendio, descarga eléctrica o lesiones corporales.
- Para reducir el riesgo de daño al enchufe y cable de alimentación, jale del enchufe y no del cable cuando desconecte el cargador.
- Asegúrese que el cable no sea ubicado de manera que podría ser pisado, causar que alguien tropiece con él o ser expuesto a otro tipo de daños.
- No se debería usar un alargador a no ser que sea absolutamente necesario. El uso de un alargador incorrecto podría resultar en riesgo de incendio, descarga eléctrica o electrocución.
- Cables de dos hilos pueden ser usados con alargadores de 2 ó 3 hilos. Sólo se deben usar alargadores con revestimiento redondo y recomendados que además se encuentren en la lista de Underwriters Laboratories (U.L.). Si el alargador será utilizado en la intemperie, el cable debe ser adecuado para uso exterior. Cualquier cable marcado para uso exterior es también adecuado para uso interior. Las letras "W" o "WA" en el revestimiento del cable indican que el cable puede ser usado en la intemperie.
- Los hilos del alargador deben ser de un calibre apropiado (AWG o American Wire Gauge) para su seguridad y para evitar la pérdida de potencia y sobrecalentamiento. Mientras menor sea el calibre del hilo, mayor la capacidad del cable. Es decir, un hilo calibre 16 tiene mayor capacidad que uno de 18. Cuando se utilice más de un alargador para completar el largo total, asegúrese que los hilos de cada alargador tengan el calibre mínimo.

CALIBRE AWG MÍNIMO RECOMENDADO PARA LOS CORDONES DE EXTENSION AMPERAJE EN LA PLACA DE IDENTIFICACION - 0 - 10,0

Longitud total del cable de extensión (metros)	7,6	15,2	22,8	30,4	38,1	45,7	53,3
Calibre del alambre	18	18	16	16	14	14	12

- Utilice únicamente el cargador provisto cuando cargue su batería. El uso de cualquier otro cargador puede dañar la batería o provocar una condición de riesgo.
- Sólo use un cargador cuando lo cargue.
- No intente abrir el cargador. No contiene elementos que el cliente pueda reparar. Devuelva a cualquier centro de mantenimiento Black & Decker autorizado.
- NO incinere las baterías aunque estén muy averiadas o completamente gastadas. Las baterías pueden explotar en el fuego.
- No incinere las baterías. Pueden explotar en un incendio. Las celdas de la batería pueden tener fugas pequeñas de líquido cuando han sido usadas o cargadas durante períodos demasiado largos, o bajo ciertas condiciones de temperatura. Esto no indica una falla. Sin embargo, si el sello externo ha sido roto y su piel entra en contacto con el líquido:
 - Lave rápidamente con jabón y agua.
 - Neutralice con un ácido suave como jugo de limón o vinagre.
 - Si el líquido de la batería le entra a los ojos, lávelos con agua limpia por al menos 10 minutos y hágase ver por un médico de inmediato. **NOTA MÉDICA:** El líquido es una solución de 25-35% de hidróxido de potasio.

CARGA DEL PAQUETE DE ALIMENTACIÓN

Su taladro puede utilizar tanto un cargador para enchufe hembra como un cargador de base; ambos se describen a continuación. Siga las instrucciones para el tipo de cargador que tenga. Los cargadores están diseñados para utilizar la energía eléctrica estándar: CA de 120 voltios, 60 Hz. No utilice CC o cualquier otro voltaje.

LAS BATERÍAS EN SU PAQUETE DE ALIMENTACIÓN NO VIENEN COMPLETAMENTE CARGADAS DE FÁBRICA. ANTES DE INTENTAR CARGARLAS, LEA ATENTAMENTE TODAS LAS INSTRUCCIONES DE SEGURIDAD.

INSTRUCCIONES PARA LOS CARGADORES PARA ENCHUFES HEMBRA:

- Coloque la batería en la herramienta hasta que quede firme en su lugar.
 - Inserte el enchufe del cargador en el conector, como se muestra en la **figura 1**.
 - Enchufe el cargador en cualquier tomacorriente eléctrico estándar de 120 voltios, 60 Hz y deje que la batería se cargue inicialmente durante **9 horas**. Después de la carga inicial, en condiciones de uso normales, la unidad de alimentación debería cargarse completamente en **3 a 6 horas**.
 - Primero desenchufe el cargador del tomacorriente y luego desenchufe el cargador de la herramienta.
- ⚠ ADVERTENCIA:** No utilice la herramienta mientras esté conectada al cargador.
- NOTA:** Para retirar la batería del taladro, presione el botón de liberación en la parte posterior de la batería (**figura 2**) y deslice hacia afuera.

INSTRUCCIONES PARA CARGADORES DE BASE:

- Enchufe el cargador en cualquier tomacorriente eléctrico estándar de 120 V, 60 Hz.
- Deslice el cargador sobre la batería, como se muestra en la **figura 3** y deje que la

batería se cargue inicialmente durante **9 horas**. Después de la carga inicial, en condiciones de uso normales, su paquete de baterías debería cargarse completamente en **3 a 9 horas**.

- Desenchufe el cargador, y retire el paquete de baterías. Coloque la batería en la herramienta hasta que quede firme en su lugar.

NOTA: Para retirar la batería del taladro, presione el botón de liberación en la parte posterior de la batería (**figura 2**) y deslice hacia afuera.

NOTAS IMPORTANTES SOBRE LA CARGA

- Luego de un uso normal, su unidad de alimentación debería quedar completamente cargada en 3 a 6 horas. Si la unidad de alimentación ha sido completamente agotada, puede tomar hasta 6 horas en cargarse por completo. Su unidad de alimentación no viene cargada de la fábrica. Antes de intentar usarla, debe ser cargada por al menos 9 horas.
- NO cargue la unidad de alimentación cuando la temperatura del aire sea menor a 40°F (~4°C) o mayor a 105°F (~40°C). Esto es importante y prevendrá que la unidad de alimentación sea seriamente dañada. Se puede lograr una mayor duración y mejor rendimiento si la unidad de alimentación se carga cuando la temperatura del aire sea de aproximadamente 75°F (~24°C).
- Mientras carga, el cargador puede emitir un zumbido y hacerse caliente al tacto. Esto es normal y no indica un problema.
- Si la unidad de alimentación no se carga bien — (1) Revise que la toma de corriente funcione bien. Enchufe una lámpara u otro aparato en ella. (2) Revise si la toma de corriente está conectada a un interruptor que apaga la corriente cuando apaga la luz. (3) Lleve el cargador y la unidad de alimentación a un lugar cuya temperatura ambiental sea entre 40 y 105°F (~4 a 40°C). (4) Si el enchufe y la temperatura están bien y aún no consigue cargar la batería, traiga o envíe su unidad de alimentación y cargador a su centro local de servicio Black & Decker. Busque bajo 'Herramientas eléctricas' en las páginas amarillas.
- La unidad de alimentación debería ser recargada cuando no sea capaz de producir suficiente potencia para trabajos que eran fácilmente realizados antes. NO SIGA usando el producto cuando su unidad de alimentación se encuentre agotada.
- Para prolongar la duración de la unidad de alimentación, evite dejarla cargando durante períodos de tiempo muy largos (más de 30 días sin usar). A pesar que el sobrecargarla no es motivo de preocupación desde el punto de vista de seguridad, puede reducir significativamente la duración general de la unidad de alimentación.
- Cuando la batería se encuentra insertado en el cargador, el "Indicador de Carga" rojo se encenderá indicando que existe contacto entre la batería y el cargador. La luz permanecerá encendida mientras la batería se encuentre en el cargador y el mismo se encuentra enchufado a la toma de corriente. En caso de que **NO SE ENCIENDA**, retire o cambie a un color diferente cuando el ciclo este completo.
- La unidad de alimentación alcanzará su rendimiento óptimo una vez que haya sido recargada 5 veces durante uso normal. No es necesario agotar las baterías por completo antes de recargarlas. El uso normal es la mejor manera de descargar y recargar las baterías.

INSTRUCCIONES DE OPERACIÓN

INSTALACIÓN Y EXTRACCIÓN DEL PAQUETE DE BATERÍAS

NOTA: Asegúrese de que el paquete de baterías esté completamente cargado.

Para instalar el paquete de baterías en el mango de la herramienta, alinee la base de la herramienta con los rieles dentro del mango de la herramienta y deslice el paquete de baterías en el mango con firmeza hasta que escuche que la traba haya calzado en su lugar.

Para retirar el paquete de baterías de la herramienta, presione el botón de liberación (G) y empuje con firmeza el paquete de baterías hacia afuera del mango de la herramienta (figura 2)

INTERRUPTOR DE DISPARO & BOTÓN DE REVERSA - FIGURA 4

El taladro se PRENDE y APAGA al oprimir y soltar el interruptor (A) de disparo según se ilustra en la Figura 4. Mientras más a fondo oprima el interruptor, mayor será la velocidad del taladro. El botón de control de marcha adelante/atrás (B) determina la dirección en que gira la herramienta y también actúa como seguro. Para seleccionar la rotación de avance, libere el interruptor disparador y oprima el botón de control de avance/reversa a la izquierda. Para seleccionar reversa, oprima el botón de control de avance/reversa a la derecha. La posición central del botón de control asegura la herramienta en posición apagado. Cuando cambie la posición del botón de control, asegúrese de que el interruptor de disparo se encuentre liberado.

CONTROL DE TORSIÓN - FIGURA 5

Para fijar la torsión de la herramienta, gire el anillo de torsión ajustable como se necesite. El embrague tiene 24 configuraciones en total, que se indican mediante números en el anillo de torsión. Para realizar trabajos livianos en los que se usen tornillos pequeños, configure el anillo en el número más bajo. Cada clic en sentido contrario a las agujas del reloj implica un aumento en la torsión producida. Si en la posición más liviana el embrague se resbala, gire el anillo del embrague a un número más alto. La posición más alta es el modo de taladro y se indica mediante un icono de broca de taladro. El embrague no funciona en esta posición. Permite taladrar en trabajos pesados.

PORTABROCAS SIN BLLAVE: - FIGURA 6

Para insertar una broca u otro accesorio:

- Sostenga el anillo del portabrocas con una mano y utilice la otra para girar el portabrocas en sentido contrario a las agujas del reloj, visto desde el extremo del portabrocas.
- Inserte por completo la broca o cualquier otro accesorio en el portabrocas y ajuste bien. Sostenga la parte posterior del portabrocas y gire la parte delantera en sentido de las agujas del reloj con respecto al extremo del portabrocas.

⚠ ADVERTENCIA: No intente ajustar las brocas de taladro (o cualquier otro accesorio) tomando la parte del frente del mandril y encendiendo la herramienta. Se pueden provocar daños al mandril y daños personales al cambiar los accesorios.

DES/ATORNILLADO TORNILLOS

Para atornillar sujetadores, se debe empujar el botón de reversa hacia la izquierda. Use el botón de reversa (empujado hacia la derecha) para quitar los sujetadores. Antes de mover el botón de adelante a reversa, o vice versa, suelte siempre el interruptor de gatillo primero.

TALADRADO

- Use sólo brocas afiladas.
- Aseguro y apoye la pieza de trabajo adecuadamente, según se indica en las Instrucciones de seguridad.
- Use el equipo de seguridad apropiado requerido, según se indica en las Instrucciones de seguridad.
- Asegure y mantenga su área de trabajo según se indica en las Instrucciones de seguridad.
- Opere el taladro muy lentamente, presionando levemente, hasta que el hueco esté lo suficientemente definido para que la broca no se salga.
- Aplique presión alineada con la broca. Ejercer suficiente presión para que la broca permanezca en rotación, pero no demasiada con el fin de evitar que el motor se atasque o la broca se desvíe.
- Sujete firmemente el taladro para controlar la fuerza de torsión del taladro.**
- NO APRIETE EL INTERRUPTOR DE DISPARO EN LAS POSICIONES DE ENCENDIDO Y APAGADO CON EL FIN DE INTENTAR HACER FUNCIONAR LA BROCA A TORADA - ESTO PUEDE DAÑAR EL TALADRO**

- Minimice el atascamiento por atravesamiento mediante reducción de la presión y taladrado lento a través de la última parte del hueco.

- Mantenga el motor en funcionamiento al retirar la broca del interior de la perforación, de manera que evite su atascamiento.

- Use un lubricante para corte al taladrar metales. Las excepciones son el hierro colado y el latón, los cuales que deben perforarse en seco. Los lubricantes para corte que mejor funcionan son aceites sulfurizados para corte o manteca de cerdo.

- Cuando use brocas helicoidales para taladrar huecos en madera, será necesario sacar las brocas frecuentemente para retirar las virutas que se acumulan en sus ranuras.

- Asegúrese de que el interruptor prende y apaga el taladro.**

TALADRADO EN MADERA

Los huecos en madera pueden efectuarse con las mismas brocas helicoidales usados para metal o con brocas de horquilla. Estas brocas deben ser afiladas y deben retirarse frecuentemente al taladrar para limpiar las virutas de las ranuras.

TALADRADO EN METAL

Use un lubricante para corte al taladrar metales. Las excepciones son el hierro colado y el latón, los cuales que deben perforarse en seco. Los lubricantes para corte que mejor funcionan son aceites sulfurizados para corte o manteca de cerdo.

TALADRADO EN ALBAÑILERÍA

Use brocas con puntas de carburo de tungsteno. Refiérase a la sección Taladrado. Ejercer una fuerza uniforme sobre el taladro, pero no tanto que se fracture el material quebradizo. Un flujo uniforme y suave de rebabas indica que se está taladrando a una velocidad adecuada.

Detección de problemas		
Problema	Causa posible	Solución posible
• La unidad no enciende.	• La batería no está bien instalada. • La batería no carga.	• Verifique la instalación de la batería. • Verifique los requisitos de carga de la batería. • Inserte la batería en el cargador hasta que se encienda la luz roja (LED). • Enchufe el cargador en un tomacorriente que funcione. Para conocer más detalles, consulte "Notas importantes sobre la carga". • Mueva el cargador y la herramienta a un ambiente con una temperatura superior a 4,5 °C (40 °F) o inferior a 40,5 °C (105 °F).
• La batería no carga.	• La batería no está insertada en el cargador. • El cargador no está enchufado. • Temperatura ambiental demasiado caliente o demasiado fría.	

Para conocer la ubicación del centro de mantenimiento más cercano a fin de recibir ayuda con su producto, visite nuestro sitio Web www.blackanddecker.com o llame a la línea de ayuda BLACK & DECKER al **(55)5326-7100**.

MANTENIMIENTO

Utilice solamente jabón suave y agua para limpiar la herramienta. Nunca permita que ningún líquido se introduzca dentro dentro de la misma; nunca sumerja ninguna parte de la herramienta dentro de ningún líquido.

IMPORTANTE: Para garantizar la SEGURIDAD y la FIABILIDAD del producto, las reparaciones, el mantenimiento y los ajustes (no enumerados en este manual), deberán ser realizados en los centros autorizados de servicio u otras organizaciones de servicio calificadas, utilizando siempre para ello accesorios originales.

EL SELLO RBRC™

El sello RBRC™ (Rechargeable Battery Recycling Corporation) en las baterías de níquelcadmio, indica que el costo del reciclaje de la batería (o grupo de baterías), al final de su vida útil, ya ha sido pagado por Black & Decker. En algunas áreas es ilegal colocar las baterías de níquelcadmio desgastadas en la basura doméstica o en los basureros municipales y el programa RBRC™ proporciona una alternativa ambiental conveniente. La RBCR, en cooperación con Black & Decker y otros usuarios de baterías, han establecido programas en los Estados Unidos para facilitar la recolección de baterías de níquelcadmio desgastadas. Al llevar sus baterías desgastadas de níquelcadmio a un centro de servicio autorizado Black & Decker o a su minorista local para el reciclaje de su batería, usted ayuda a proteger nuestro medio ambiente y a conservar nuestros recursos naturales. Usted puede comunicarse con el centro de reciclaje de su localidad para que le informen acerca de los lugares donde usted puede regresar las baterías desgastadas, o llame a **(55)5326-7100**.

ACCESORIOS

Los accesorios que se recomiendan usar con su herramienta están disponibles donde su distribuidor o centro de servicio local. De necesitar asistencia para obtener un accesorio, favor llamar a: **(55)5326-7100**.

⚠ ADVERTENCIA: Puede ser peligroso usar cualquier accesorio no recomendado.

Los accesorios siguientes deben usarse únicamente en los tamaños especificados a continuación: BROCAS, TALADRADO EN METAL – Hasta 3/8 pulg. (9.5mm); BROCAS, TALADRADO EN ALBAÑILERÍA – Hasta 3/8 pulg. (9.5mm); TALADRADO EN MADERA – Hasta 1/2 pulg. (12.7mm).

INFORMACIÓN DE MANTENIMIENTO

Todos los Centros de mantenimiento de Black & Decker cuentan con personal altamente capacitado dispuesto a brindar a todos los clientes un servicio eficiente y confiable en la reparación de herramientas eléctricas. Si necesita consejo técnico, reparaciones o piezas de repuesto originales de fábrica, póngase en contacto con el centro de mantenimiento de Black & Decker más cercano a su domicilio. Para ubicar su centro de servicio local, consulte la sección "Herramientas eléctricas" (Tools-Electric) de las páginas amarillas, llame al **(55)5326-7100** o visite nuestro sitio www.blackanddecker.com.

GARANTÍA COMPLETA DE DOS AÑOS PARA USO EN EL HOGAR

Black & Decker (Estados Unidos) Inc. ofrece una garantía de dos años por cualquier defecto del material o de fabricación de este producto. El producto defectuoso se reparará o reemplazará sin costo alguno de dos maneras.

La primera opción, el reemplazo, es devolver el producto al comercio donde se lo adquirió (siempre y cuando se trate de un comercio participante). Las devoluciones deben realizarse conforme a la política de devolución del comercio (generalmente, entre 30 y 90 días posteriores a la venta). Le pueden solicitar comprobante de compra. Consulte en el comercio acerca de la política especial sobre devoluciones una vez excedido el plazo establecido.

La segunda opción es llevar o enviar el producto (con flete pago) a un Centro de mantenimiento propio o autorizado de Black & Decker para su reparación o reemplazo según nuestro criterio. Le pueden solicitar el comprobante de compra. Los Centros de mantenimiento autorizados y de propiedad de Black & Decker se detallan en la sección "Herramientas eléctricas" (Tools-Electric) de las páginas amarillas de la guía telefónica. Esta garantía no se extiende a los accesorios. Esta garantía le concede derechos legales específicos; usted puede tener otros derechos que pueden variar según el estado o la provincia. Si tiene alguna pregunta, comuníquese con el gerente del Centro de mantenimiento de Black & Decker de su zona. Este producto no está diseñado para uso comercial.

Para reparación y servicio de sus herramientas eléctricas, favor de dirigirse al Centro de Servicio más cercano:

CULIACAN, SIN Av. Nicolás Bravo #1063 Sur (667) 7 12 42 11 Col. Industrial Bravo	MONTERREY, N.L. Av. Francisco I. Madero No.831 (81) 8375 2313 Col. Centro	TORREON, COAH Blvd. Independencia, 96 Pte. (871) 716 5265 Col. Centro
GUADALAJARA, JAL Av. La Paz #1779 (33) 3825 6978 Col. Americana Sector Juarez	PUEBLA, PUE 17 Norte #205 (222) 246 3714 Col. Centro	VERACRUZ, VER Prolongación Díaz Mirón #4280 (229)921 7016 Col. Remes
MEXICO, D.F. Eje Central Lázaro Cardenas No. 18 (55) 5588 9377 Local D, Col. Obrera	QUERETARO, QRO Av. Madero 139 Pte. (442) 214 1660 Col. Centro	VILLAHERMOSA, TAB Constitución 516-A (993) 312 5111 Col. Centro
MERIDA, YUC Calle 63 #459-A (999) 928 5038 Col. Centro	SAN LUIS POTOSI, SLP Av. Universidad 1525 (444) 814 2383 Col. San Luis	

PARA OTRAS LOCALIDADES LLAME AL: (55) 5326 7100

Vea "Herramientas eléctricas (Tools-Electric)" – Páginas amarillas – para Servicio y ventas		BLACK & DECKER S.A. DE C.V. BOSQUES DE CIDROS ACCESO RADIATAS NO. 42 COL. BOSQUES DE LAS LOMAS. 05120 MEXICO, D.F. TEL. 55-5326-7100
--	--	--

ESPECIFICACIONES - CARGADOR

GC9600, GCO9600 - 9.6V Input: 120VAC 60Hz 5.5W Output: 12.2VDC 210mA	GC1440, GCO1440 - 14.4V Input: 120VAC 60Hz 10W Output: 22VDC 210mA
GC1200, GCO1200 - 12V Input: 120VAC 60Hz 7W Output: 15.3VDC 210mA	GC1800, GCO1800 - 18V Input: 120VAC 60Hz 10W Output: 26VDC 210mA
	GC2400, GCO2400 - 24V Input: 120VAC 60Hz 10W Output: 33VDC 210mA

Free Manuals Download Website

<http://myh66.com>

<http://usermanuals.us>

<http://www.somanuals.com>

<http://www.4manuals.cc>

<http://www.manual-lib.com>

<http://www.404manual.com>

<http://www.luxmanual.com>

<http://aubethermostatmanual.com>

Golf course search by state

<http://golfingnear.com>

Email search by domain

<http://emailbydomain.com>

Auto manuals search

<http://auto.somanuals.com>

TV manuals search

<http://tv.somanuals.com>