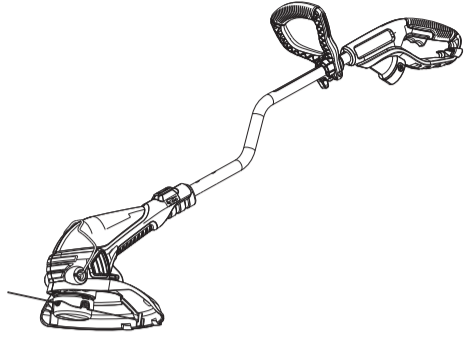




# TRIMMER/EDGER INSTRUCTION MANUAL

Catalog Numbers GH700, GH750



Thank you for choosing Black & Decker!  
Go to [www.BlackandDecker.com/NewOwner](http://www.BlackandDecker.com/NewOwner)  
to register your new product.

## PLEASE READ BEFORE RETURNING THIS PRODUCT FOR ANY REASON:

If you have a question or experience a problem with your Black & Decker purchase, go to [HTTP://WWW.BLACKANDDECKER.COM/INSTANTANSWERS](http://www.blackanddecker.com/instantanswers) for instant answers 24 hours a day.

If you can't find the answer or do not have access to the internet, call 1-800-544-6986 from 8 a.m. to 5 p.m. EST Mon. -- Fri. to speak with an agent. Please have the catalog number available when you call.

### KEY INFORMATION YOU SHOULD KNOW:

- The guard must be installed before trimming or edging - if not, the motor will overheat.
- When replacing the line, use only .065 inch diameter ROUND line - otherwise the unit will not function properly.
- Do not bump the feed head against the ground - it will disrupt the feed mechanism.
- Angle tool slightly (5° to 10°) when trimming.
- Always use the cord retention feature.
- For trouble free feeding and best results, only use Black & Decker replacement spools with dual 0.065 inch line. Black & Decker replacement spool model number DF-065.

## SAVE THIS INSTRUCTION MANUAL FOR FUTURE REFERENCE.

Cat No. GH700, GH750

Form No. 90563741

April 2010

Copyright © 2010 Black & Decker

Printed in China

### ⚠ WARNING: IMPORTANT SAFETY WARNINGS AND INSTRUCTIONS TO REDUCE RISK OF INJURY:

- Before any use, be sure everyone using this tool reads and understands all safety instructions and other information contained in this manual.
  - Save these instructions and review frequently prior to use and in instructing others.
  - ⚠ **WARNING:** When using electric gardening appliances, basic safety precautions should always be followed to reduce risk of fire, electric shock, and personal injury, including the following:
  - ⚠ **WARNING:** Some dust created by this product contains chemicals known to the State of California to cause cancer, birth defects or other reproductive harm. Some examples of these chemicals are:
    - compounds in fertilizers
    - compounds in insecticides, herbicides and pesticides
    - arsenic and chromium from chemically treated lumber
- To reduce your exposure to these chemicals, wear approved safety equipment such as dust masks that are specially designed to filter out microscopic particles.
- ⚠ **WARNING:** This product contains chemicals, including lead, known to the State of California to cause cancer, and birth defects or other reproductive harm. Wash hands after handling.

### READ AND UNDERSTAND ALL INSTRUCTIONS BEFORE USING.

#### SAFETY GUIDELINES - DEFINITIONS

It is important for you to read and understand this manual. The information it contains relates to protecting YOUR SAFETY and PREVENTING PROBLEMS. The symbols below are used to help you recognize this information.

- ⚠ **DANGER:** Indicates an imminently hazardous situation which, if not avoided, will result in death or serious injury.
  - ⚠ **WARNING:** Indicates a potentially hazardous situation which, if not avoided, could result in death or serious injury.
  - ⚠ **CAUTION:** Indicates a potentially hazardous situation which, if not avoided, may result in minor or moderate injury.
- CAUTION:** Used without the safety alert symbol indicates a potentially hazardous situation which, if not avoided, may result in property damage.

#### ⚠ GENERAL SAFETY WARNINGS AND INSTRUCTIONS FOR ALL TOOLS

- **ALWAYS WEAR EYE PROTECTION** – Wear safety spectacles or goggles at all times when this tool is plugged in.
- **GUARD** – Do not use this tool without guard attached.
- **DRESS PROPERLY** – Do not wear loose clothing or jewelry. They can be caught in moving parts. Rubber gloves and substantial rubber soled footwear are recommended when working outdoors. Don't operate the tool when barefoot or wearing open sandals. Wear long pants to protect your legs. Wear protective hair covering to contain long hair.
- **NYLON LINE** – Keep face, hands and feet clear of rotating nylon line at all times.
- **THE ROTATING LINE PERFORMS A CUTTING FUNCTION** – Use care when trimming around screens and desirable plantings.
- **KEEP ALL BYSTANDERS AWAY** – at a safe distance from work area, especially children.
- **IMPORTANT WARNING** – When being used as an Edger, stones, pieces of metal and other objects can be thrown out at high speed by the line. The tool and guard are designed to reduce the danger. However, the following special precautions should be taken:
  - **MAKE SURE** that other persons and pets are at least 100 feet (30m) away.
  - **TO REDUCE THE RISK** of rebound (ricochet) injury, work going away from any nearby solid object such as wall, steps, large stone, tree, etc. Use great care when working close to solid objects and where necessary, do edging or trimming by hand.
- **AVOID ACCIDENTALLY STARTING** – Don't carry plugged-in tool with finger on trigger.
- **DO NOT FORCE THE TOOL** – at a rate faster than the rate at which it is able to cut effectively.

- **USE THE RIGHT TOOL** – Do not use this tool for any job except that for which it is intended.
- **DON'T OVERREACH** – Keep proper footing and balance at all times.
- **DON'T ABUSE CORD** – Don't yank cord from power supply. Keep cord from heat, oil, and sharp edges.
- **DAMAGE TO UNIT** – If you strike or become entangled with a foreign object, stop tool immediately, unplug, check for damage and have any damage repaired before further operation is attempted. Do not operate with a broken hub or spool.
- **DAMAGE TO CORD** – Keep power cord away from rotating line. If you damage the cord, unplug it from the power supply before moving the tool or examining the damage. A damaged cord must be replaced before further use.
- **DISCONNECT TOOL** – when not in use, when replacing line, or prior to cleaning.
- **AVOID DANGEROUS ENVIRONMENTAL CONDITIONS** – Do not use electric tools in damp or wet locations. Follow all instructions in this Instruction Manual for proper operation of your tool. Don't use the tool in the rain.
- **DO NOT OPERATE** portable electric tools in gaseous or explosive atmospheres. Motors in these tools normally spark, and the sparks might ignite fumes.
- **STORE IDLE TOOLS INDOORS** – When not in use, tools should be stored indoors in a dry, locked-up place out of reach of children.
- **GROUND FAULT CIRCUIT INTERRUPTER (GFCI)** protection should be provided on the circuits or outlets to be used for the gardening appliance. Receptacles are available having built in GFCI protection and may be used for this measure of protection.
- **SECURE EXTENSION CORD** using the cord retainer shown in Figure 7.
- **STAY ALERT** – Watch what you are doing. Use common sense. Do not operate tool when you are tired.
- **MAINTAIN APPLIANCES WITH CARE** – Follow instructions in maintenance section. Inspect extension cords periodically and replace if damaged. Keep handles dry, clean and free from oil and grease.
- **CHECK DAMAGED PARTS** – Before further use of the appliance, a guard or other part that is damaged should be carefully checked to determine that it will operate properly and perform its intended function. Check for alignment of moving parts, binding of moving parts, breakage of parts, mounting, and any other condition that may affect its operation. A guard or other part that is damaged should be properly repaired or replaced by an authorized service center unless otherwise indicated elsewhere in this manual.

⚠ **WARNING:** When servicing double insulated tools, USE ONLY IDENTICAL REPLACEMENT PARTS. Replace or repair damaged cords.

⚠ **WARNING:** To prevent electrical shock hazard, use only with an extension cord suitable for outdoor use. Always connect extension cords to a fused line or one protected by a circuit breaker.

#### ⚠ ADDITIONAL WARNINGS FOR STRING TRIMMERS

1. DO NOT immerse tool in water or squirt it with a hose. DO NOT allow any liquid to get inside it.
2. DO NOT store the tool on or adjacent to fertilizers or chemicals.
3. DO NOT clean with a pressure washer.

#### ⚠ SAFETY WARNINGS AND INSTRUCTIONS: POLARIZED PLUGS

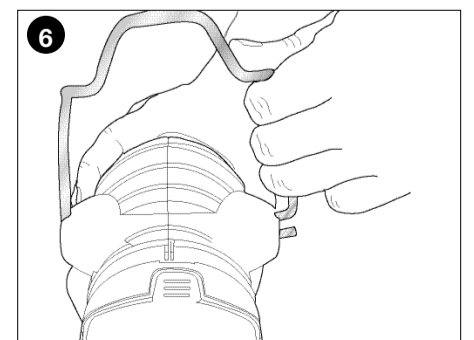
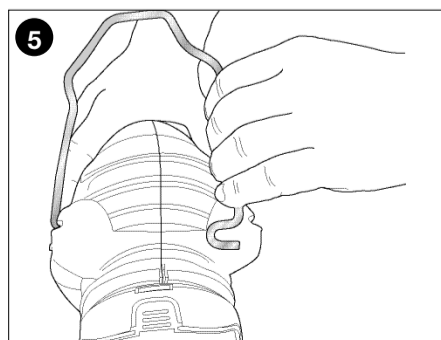
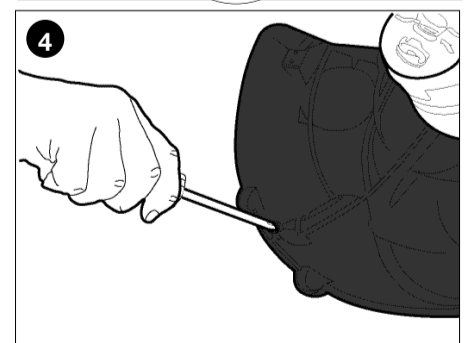
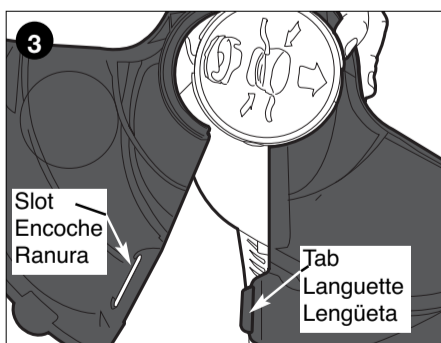
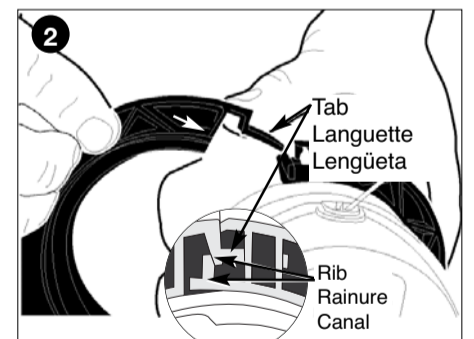
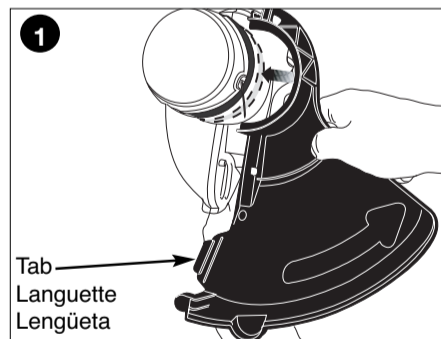
To reduce the risk of electric shock, this equipment has a polarized plug (one blade is wider than the other) and will require the use of a polarized extension cord. The appliance plug will fit into a polarized extension cord only one way. If the plug does not fit fully into the extension cord, reverse the plug. If the plug still does not fit, obtain a correct polarized extension cord. A polarized extension cord will require the use of a polarized wall outlet. This plug will fit into the polarized wall outlet only one way. If the plug does not fit fully into the wall outlet, reverse the plug. If the plug still does not fit, contact a qualified electrician to install the proper wall outlet. Do not change the equipment plug, extension cord receptacle, or extension cord plug in any way.

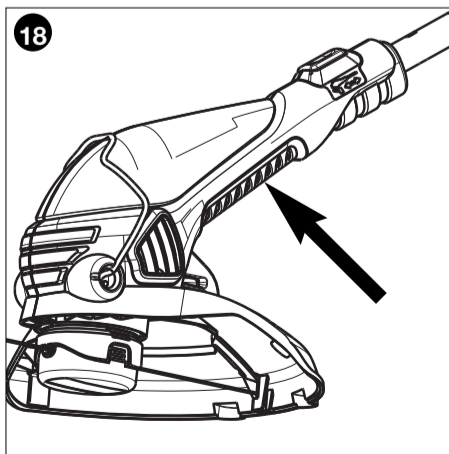
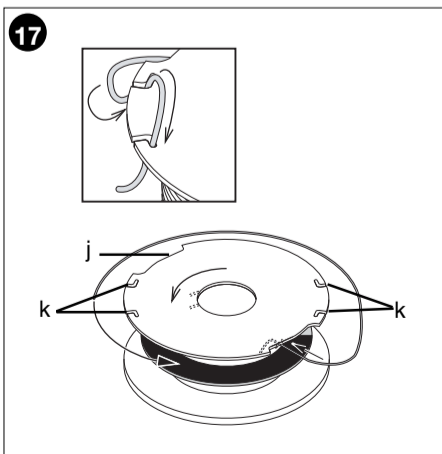
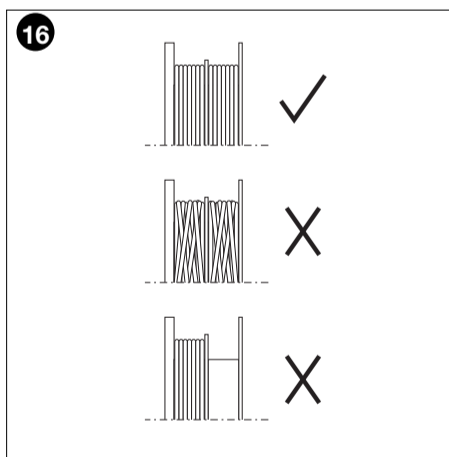
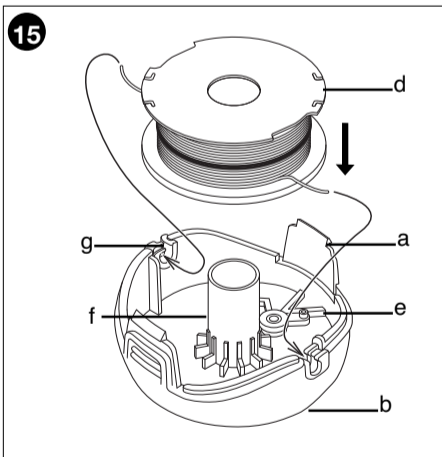
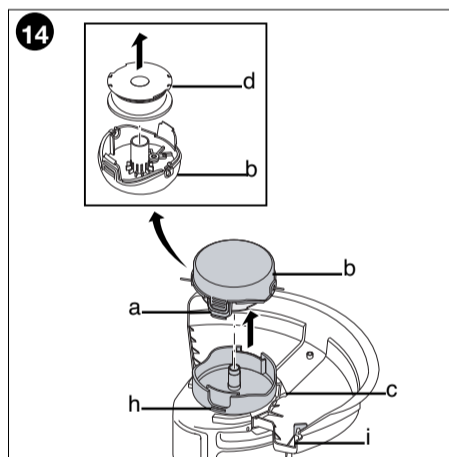
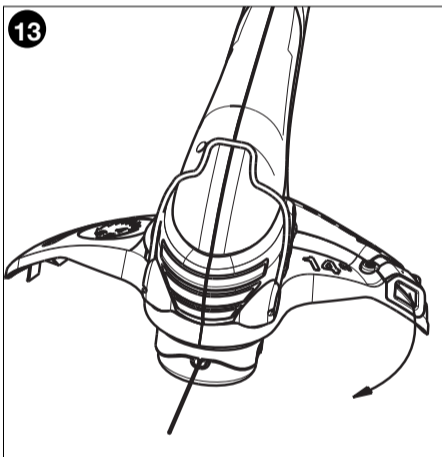
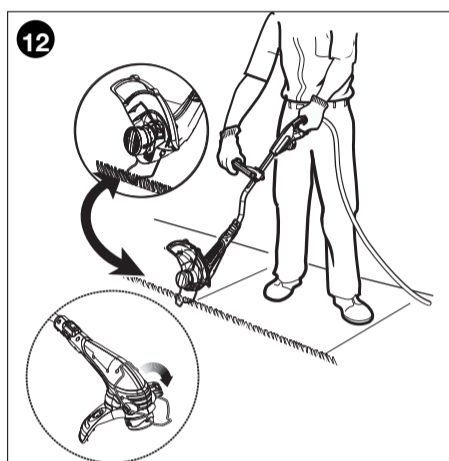
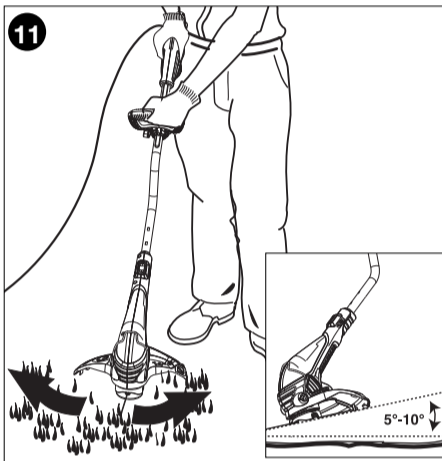
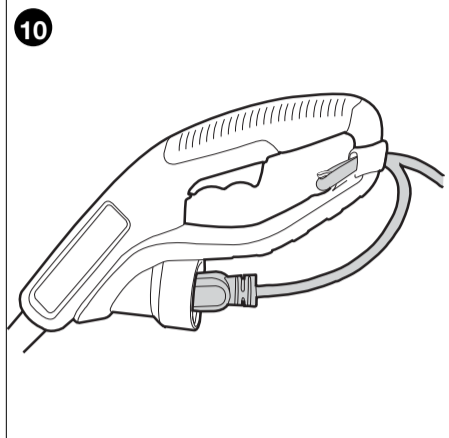
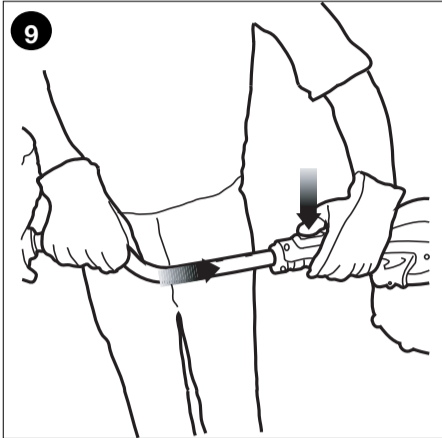
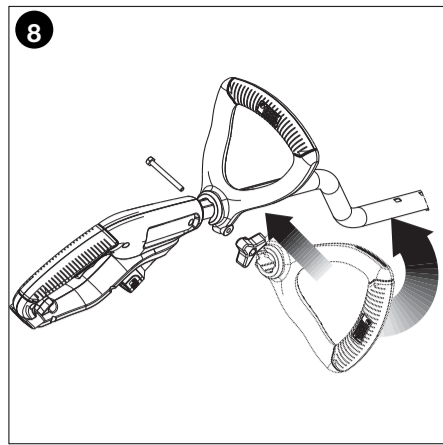
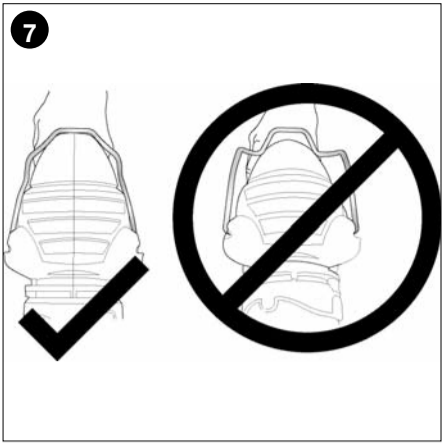
#### ⚠ SAFETY WARNINGS AND INSTRUCTIONS: EXTENSION CORDS

Make sure your extension cord is in good condition. When using an extension cord, be sure to use one heavy enough to carry the current your product will draw. An undersized cord will cause a drop in line voltage resulting in loss of power and overheating. The table shows the correct size to use depending on cord length and nameplate ampere rating. If in doubt, use the next heavier gauge. The smaller the gauge number, the heavier the cord. If the extension will be used outside, the cord must be suitable for outdoor work. The letters "WA" on the cord jacket indicate that the cord is suitable for outdoor use.

Volts	Minimum Gauge for Cord Sets			
	Total Length of Cord in Feet			
120V	0-25 (0-7,6m)	26-50 (7,6-15,2m)	51-100 (15,2-30,4m)	101-150 (30,4-45,7m)
	240V	0-50 (0-15,2m)	51-100 (15,2-30,4m)	101-200 (30,4-60,9m)
Ampere Rating		American Wire Gauge		
More Than	Not more Than			
0	6	18	16	14
6	10	18	16	12
10	12	16	16	12
12	16	14	12	Not Recommended

## SAVE THESE INSTRUCTIONS





## ASSEMBLY / ADJUSTMENT SET-UP

### ASSEMBLY TOOLS REQUIRED (NOT SUPPLIED):

- Phillips Screwdriver

### ATTACHING THE TWO PIECE GUARD

**WARNING: UNPLUG THE TOOL BEFORE ATTEMPTING TO ATTACH THE GUARD, EDGE GUIDE OR HANDLE. NEVER OPERATE TOOL WITHOUT GUARD FIRMLY IN PLACE. THE GUARD MUST ALWAYS BE ON THE TOOL TO PROTECT THE USER.**

- Remove the two guard sections from the carton.
- Attach the first guard section with **side tab** into the groove around the housing as shown in **figure 1**. Align the hole in the guard with the post on the trimmer housing.
- Remove the screw from the second guard section.
- Insert the **top tab** from the second guard section into the first guard section as shown in **figure 2**. **NOTE: The rib behind the tab should be hooked over the rib of the first guard section. (See inset figure 2).**
- Insert the **side tab** from the first guard section into the slot of the second guard section until you hear them "snap" together (**figure 3**).
- Insert the 3/4 inch (19mm) screw as shown in **figure 4** to complete the guard assembly.
- Once the guard is installed, remove the covering from the line cut-off blade, located on the edge of the second guard section.

### ATTACHING THE EDGE GUIDE

- Remove the edge guide from the carton.
- Insert one end of the guide into the hole in the housing as shown in **figure 5**.
- Pull the other end of the guide over until it slips in opposite hole in housing (**figure 6**).
- Rotate guide back against housing as shown in **figure 7**. **NOTE: Guide should lay flat to the plastic housing as shown in the illustration.**

### ATTACHING THE AUXILIARY HANDLE

- Attach the handle to the metal shaft of the trimmer (with the Black & Decker logo facing upward) by pushing it onto the shaft from the side. Once it is pushed onto the metal shaft, the handle can be turned into the correct orientation.
- Insert the 2-1/2 inch (63.5mm) bolt through the holes in the handle and thread on the plastic knob as shown in **figure 8**.
- For maximum comfort and control, adjust the auxiliary handle to suit your height. Shorter users adjust handle to a lower position (away from you) and taller users, adjust handle to an upper position (towards you). The handle should be adjusted so that your front arm is straight when the trimmer is in the working position.

### HEIGHT ADJUSTMENT

- The overall height of the trimmer can be adjusted by pressing the button shown in **figure 9** and moving the metal tube up or down into one of the three rectangular recesses in the tube until you hear it "snap" into place. **CAUTION: Confirm that the tube is locked in place by releasing the button and pushing down on the tube.**

### ATTACHING EXTENSION CORD

- An extension cord retainer (**figure 10**) is built into the switch handle that prevents the cord from coming unplugged. To use this feature, simply double the extension cord about 8 inches (203mm) from the end, and insert it into the slot in the bottom of the handle area. Hook the loop formed by doubling the cord over the tab. Gently tug on the cord to insure that it is firmly retained in the trimmer's handle. Plug the receptacle end of the extension cord into the plug blades in the trimmer.

## OPERATING INSTRUCTIONS

**WARNING: Always use proper eye protection that conforms to ANSI Z87.1 (CAN/CSA Z94.3) while operating this power tool.**

**CAUTION: Inspect area to be trimmed and remove any wire, cord, or string-like objects which could become entangled in the rotating line or spool. Be particularly careful to avoid any wire which might be bent outwardly into the path of the tool, such as barbs at the base of a chain link fence.**

### SWITCHING ON AND OFF

- To switch the tool on, squeeze the trigger lever.
- To switch the tool off, release the trigger lever.
- With the unit on, angle unit and slowly swing the trimmer side to side as shown in **figure 11**.
- To operate as a maintenance edger, unplug the unit from the power source. Push the button and rotate the tube 180° as shown in **figure 9**. The tool will lock in position. Gently pull the wire edge guide down into place as shown in **figure 12** and position the trimmer above the surface as shown in **figure 12**.
- Return to the trimming position by unplugging the unit from the power source, pushing the button and rotating the tube back 180°. The tool will lock in the trimming position. When using the tool return the wire edge guide to the original position, out of the way.

### BLOWER FUNCTION (GH750 ONLY- FIGURE 13)

The GH750 funnels the air created by the motor up through the guard creating a built-in sweeper. This feature can be used to blow grass clippings off of sidewalks and other hard surface areas.

### CUTTING LINE / LINE FEEDING

Your trimmer uses .065 inch (1.65 mm) diameter, **ROUND** nylon line. During use, the tips of the nylon lines will become frayed and worn and the special self feeding line hub will automatically feed and trim a fresh length of line. Cutting line will wear faster and require more feeding if the cutting or edging is done along sidewalks or other abrasive surfaces or heavier weeds are being cut. The advanced automatic line feeding mechanism senses when more cutting line is needed and feeds and trims the correct length of line whenever it's required. **DO NOT BUMP** unit on ground in attempt to feed line or for any other purposes.

### FITTING A NEW SPOOL OF AFS CUTTING LINE (FIGURES 14 & 15)

- Unplug the tool.
- Depress the tabs (a) and remove the cassette (b) from the cassette housing (c) in the trimmer head (**figure 14**).
- Grasp empty spool (d) with one hand and cassette with other hand and pull spool out from cassette. If lever (e) in base of cassette becomes dislodged, replace in correct position before inserting new spool into cassette.
- Remove any dirt and grass from the cassette and housing.
- Take the new spool and push it onto the boss (f) (**figure 15**) in the cassette. Rotate the spool slightly until it is seated.
- Unfasten the end of one of the cutting lines and guide the line into one of the eyelets (g). **figure 15**. The line should protrude approximately 4-3/8 inches (111mm) from the cassette.
- Unfasten the end of the other cutting line and guide the line into the other eyelet. The line should protrude approximately 4-3/8 inches (111mm) from the cassette.
- Align the cassette tabs (a) with the slots (h) in the housing (**figure 14**).
- Push the cassette onto the housing until it snaps securely into place.

**CAUTION: To avoid tool damage, if the cutting lines protrude beyond the trimming blade (i), cut them off so that they just reach the blade (**figure 14**).**

**For trouble free feeding and best results, only use Black & Decker replacement spools with dual 0.065 inch line. Black & Decker replacement spool model number DF-065.**

### WINDING NEW LINE ONTO AN EMPTY SPOOL (FIGURES 16 & 17)

- You may wind new cutting line onto an empty spool. Replacement packs of .065 inch (1.65 mm) cutting line are available from your local dealer.
- Remove the empty spool from the tool as described in "FITTING A NEW SPOOL OF AFS CUTTING LINE".
- Remove any remaining cutting line from the spool.
- First wind new line onto the uppermost part of the spool.
  - Feed 3/4 inch (19mm) of cutting line into one of the line anchoring slots.
  - Wind the cutting line onto the spool in the direction of the arrow on the spool. Make sure to wind the line on neatly and in layers. Do not crisscross (**figure 16**).
  - When the wound cutting line reaches the recesses (j), cut the line. (**figure 17**).
  - Temporarily park the line in the holding slots (k) on one side of the spool as shown in the inset in **figure 17**.
- Repeat the above procedure for the second cutting line on the lower section of the spool.
- Fit the spool onto the tool as described in "FITTING A NEW SPOOL OF CUTTING LINE".

**CAUTION: Before you begin trimming, only use the appropriate type of cutting line. Ensure that cutting line is present in both sections of the spool (**figure 15**).**

**IMPORTANT: To assure product SAFETY and RELIABILITY, repairs, maintenance and adjustment should be performed by authorized service centers or other qualified service organizations, always using identical replacement parts.**

## ACCESSORIES

Use Black & Decker replacement spool Model No. DF-065.

Reload nylon line (either bulk or prewound replacement spool) as shown in this manual.

- USE ONLY .065 inch (1.65 mm) DIAMETER NYLON MONOFILAMENT LINE. Do not use serrated or heavier gauge line, as they will overload the motor and cause overheating. The unit only functions properly with .065 inch (1.65 mm) diameter nylon monofilament line. This line is available at your local dealer or authorized service center.

⚠ **WARNING:** The use of any accessory not recommended by Black & Decker for use with this tool could be hazardous.

## MAINTENANCE

⚠ **WARNING:** To avoid serious injury, switch off and unplug the tool before performing any maintenance.

1. Keep the air intake slots (**figure 18**) clean to avoid overheating.
2. Your trimmer line can dry out over time. To keep your line in top condition, store spare pre-wound spools or bulk line in a plastic, sealable bag with a tablespoon of water.
3. Plastic parts may be cleaned by using a mild soap and a damp rag.
4. The line cutter on the edge of the guard can dull over time. It is recommended you periodically touch-up the sharpness of the blade with a file.

## TROUBLESHOOTING

⚠ **WARNING:** To avoid serious injury, switch off and unplug the tool before performing any maintenance.

### Tool runs slowly

- Check that the cassette housing can rotate freely. Carefully clean it if necessary.
- Check that the cutting line does not protrude more than approximately 4-3/8 inches (111mm) from the cassette. If it does, cut it off so that it just reaches the line trimming blade.

### Automatic line feed does not work

- Keep the tabs depressed and remove the cassette from the cassette housing in the trimmer head.
- Pull the cutting line until it protrudes approximately 4-3/8 inches (111mm) from the cassette. If insufficient cutting line is left on the spool, install a new spool of cutting line.
- Align the tabs on the cassette with the cut outs in the housing.
- Push the cassette onto the housing until it snaps securely into place.
- If the cutting line protrudes beyond the trimming blade, cut it off so that it just reaches the blade.

If the automatic line feed still does not work or the spool is jammed, try the following suggestions:

- Carefully clean the cassette and housing.
- Remove the spool and check if the lever in the cassette can move freely.
- Remove the spool and unwind the cutting line, then wind it on neatly again. Replace the spool into the cassette.

## SERVICE INFORMATION

All Black & Decker Service Centers are staffed with trained personnel to provide customers with efficient and reliable power tool service. Whether you need technical advice, repair, or genuine factory replacement parts, contact the Black & Decker location nearest you. To find your local service location, refer to the yellow page directory under "Tools—Electric" or call: **1-800-544-6986** or visit [www.blackanddecker.com](http://www.blackanddecker.com)

## FULL TWO-YEAR HOME USE WARRANTY

Black & Decker (U.S.) Inc. warrants this product for two years against any defects in material or workmanship. The defective product will be replaced or repaired at no charge in either of two ways.

The first, which will result in exchanges only, is to return the product to the retailer from whom it was purchased (provided that the store is a participating retailer). Returns should be made within the time period of the retailer's policy for exchanges (usually 30 to 90 days after the sale). Proof of purchase may be required. Please check with the retailer for their specific return policy regarding returns that are beyond the time set for exchanges.

The second option is to take or send the product (prepaid) to a Black & Decker owned or authorized Service Center for repair or replacement at our option. Proof of purchase may be required. Black & Decker owned and authorized Service Centers are listed under "Tools-Electric" in the yellow pages of the phone directory.

This warranty does not apply to accessories. This warranty gives you specific legal rights and you may have other rights which vary from state to state or province to province. Should you have any questions, contact the manager of your nearest Black & Decker Service Center. This product is not intended for commercial use.

**FREE WARNING LABEL REPLACEMENT:** If your warning labels become illegible or are missing, call **1-800-544-6986** for a free replacement.

**LATIN AMERICA:** This warranty does not apply to products sold in Latin America. For products sold in Latin America, check country specific warranty information contained in the packaging, call the local company or see the website for warranty information.

Imported by  
Black & Decker (U.S.) Inc.,  
701 E. Joppa Rd.  
Towson, MD 21286 U.S.A.



See 'Tools-Electric'  
- Yellow Pages -  
for Service & Sales



# MODE D'EMPLOI DU TAILLE-BORDURE/COUPE BORDURE

Numéro de catalogue : GH700, GH750

**Merci d'avoir choisi Black & Decker!**

**Consulter le site Web**

**[www.BlackandDecker.com/NewOwner](http://www.BlackandDecker.com/NewOwner)  
pour enregistrer votre nouveau produit.**

## À LIRE AVANT DE RETOURNER CE PRODUIT POUR QUELQUE RAISON QUE CE SOIT :

Si des questions ou des problèmes surgissent après l'achat d'un produit Black & Decker,  
consulter le site Web

**[HTTP://WWW.BLACKANDDECKER.COM/INSTANTANSWERS](http://WWW.BLACKANDDECKER.COM/INSTANTANSWERS)**

pour obtenir des réponses instantanément 24 heures par jour.

Si la réponse est introuvable ou en l'absence d'accès à Internet, composer le  
1-800-544-6986 de 8 h à 17 h HNE, du lundi au vendredi, pour parler avec un agent.

Prière d'avoir le numéro de catalogue sous la main lors de l'appel.

## VOICI DES RENSEIGNEMENTS IMPORTANTS QU'IL VOUS FAUT CONNAÎTRE :

- Le dispositif de protection doit être en place avant de débiter le taillage ou la coupe sinon le moteur surchauffera.
- Utiliser seulement un fil ROND de 1,65 mm (0,065 po) de diamètre lors du remplacement, sinon, l'appareil ne fonctionnera pas correctement.
- Éviter de frapper la tête d'alimentation contre le sol. En effet, cela endommagera le mécanisme d'alimentation.
- Incliner légèrement l'outil (5° à 10°) lors du taillage.
- Utiliser toujours le dispositif de retenu du cordon et le système de verrouillage de la rallonge.
- Pour obtenir une alimentation du fil sans tracas et des résultats optimaux, utiliser uniquement les bobines de rechange Black & Decker pourvues d'un fil double de 1,65 mm (0,065 po). Le numéro de modèle de la bobine de rechange Black & Decker est DF-065.

**CONSERVER CE MANUEL POUR UN USAGE ULTÉRIEUR.**

## ⚠ AVERTISSEMENT : AVERTISSEMENTS DE SÉCURITÉ ET DIRECTIVES DE PREMIÈRE IMPORTANCE

### ⚠ RÉDUCTION DES RISQUES DE BLESSURES :

- Avant tout usage, s'assurer que tout utilisateur de cet outil lise et comprenne toutes les directives de sécurité ainsi que l'information comprise dans le présent manuel.

- Conserver ces directives et les examiner fréquemment avant d'utiliser l'appareil ou de donner des directives aux autres.

⚠ **AVERTISSEMENT :** Si des outils de jardinage sont utilisés, des précautions de base en matière de sécurité doivent être suivies afin de réduire le risque d'incendie, de choc électrique et de blessure corporelle, notamment les suivantes :

⚠ **AVERTISSEMENT :** Certaines poussières produites par cet outil contiennent des produits chimiques reconnus par l'État de la Californie comme pouvant causer le cancer, les anomalies congénitales et d'autres dangers pour la reproduction. Voici quelques exemples de ces produits chimiques :

- composés présents dans les engrais
- composés présents dans les insecticides, herbicides et pesticides
- arsenic et chrome provenant de bois traité chimiquement

Pour réduire votre exposition à ces produits chimiques, porter un équipement de sécurité approuvé comme un masque anti-poussières conçu spécialement pour filtrer les particules microscopiques.

⚠ **AVERTISSEMENT :** Ce produit contient des produits chimiques, y compris du plomb, reconnus par l'état de la Californie comme pouvant être cancérigènes et pouvant entraîner des anomalies congénitales et d'autres dangers relatifs à la reproduction. Se laver les mains après la manipulation de l'appareil.

## BIEN LIRE ET COMPRENDRE TOUTES LES DIRECTIVES AVANT D'UTILISER L'OUTIL.

### LIGNES DIRECTRICES EN MATIÈRE DE SÉCURITÉ - DÉFINITIONS

Il est important que vous lisiez et compreniez ce mode d'emploi. Les informations qu'il contient concernent VOTRE SÉCURITÉ et visent à ÉVITER TOUT PROBLÈME. Les symboles ci-dessous servent à vous aider à reconnaître cette information.

⚠ **DANGER :** Indique une situation dangereuse imminente qui, si elle n'est pas évitée, causera la mort ou des graves blessures.

⚠ **AVERTISSEMENT :** Indique une situation potentiellement dangereuse qui, si elle n'est pas évitée, pourrait causer la mort ou de graves blessures.

⚠ **MISE EN GARDE :** Indique une situation potentiellement dangereuse qui, si elle n'est pas évitée, pourrait causer des blessures mineures ou modérées.

**MISE EN GARDE :** Utilisé sans le symbole d'alerte à la sécurité, indique une situation potentiellement dangereuse qui, si elle n'est pas évitée, peut résulter en des dommages à la propriété.

### ⚠ AVERTISSEMENTS ET DIRECTIVES DE SÉCURITÉ GÉNÉRALES POUR TOUS LES OUTILS.

- **TOUJOURS PORTER UNE PROTECTION OCULAIRE** - Porter des lunettes ou des lunettes protectrices en tout temps lorsque cet outil est branché.
- **DISPOSITIF DE PROTECTION** - Ne pas utiliser cet outil sans les dispositifs de protection en place.
- **S'HABILLER DE MANIÈRE APPROPRIÉE** - Ne pas porter de vêtements amples ni de bijoux. Ils peuvent s'enchevêtrer dans les pièces mobiles. Des gants en caoutchouc et des chaussures adéquates à semelles en caoutchouc sont recommandés lors de travaux à l'extérieur. Ne pas utiliser l'outil avec les pieds nus ou des sandales ouvertes. Porter des pantalons longs pour protéger vos jambes. Se couvrir les cheveux s'ils sont longs.
- **FIL EN NYLON** - Tenir le visage, les mains et pieds loin du fil de nylon rotatif en tout temps.
- **LE FIL EN ROTATION EXÉCUTE UNE COUPE** - Être attentif lors de taillage autour de grillages et de plates-bandes.
- **TENIR ÉLOIGNÉ TOUS LES SPECTATEURS** - À une distance sécuritaire de l'aire de travail, particulièrement les enfants.
- **AVERTISSEMENT IMPORTANT :** lorsque l'outil est utilisé comme coupe bordure, des pierres, morceaux de métal et autres objets peuvent être projetés à haute vitesse par le fil. L'outil et le dispositif de protection sont conçus pour réduire le risque. Toutefois, les précautions spéciales suivantes doivent être prises :
- **S'ASSURER** que toute personne et animaux sont éloignés d'au moins 30 m (100 pi).
- **POUR RÉDUIRE LE RISQUE** de blessures par ricochet, travaillez en vous éloignant de tout objet solide tel un mur, des marches, de grosses pierres, d'arbres, etc. Soyez très prudent lors de travaux près d'objets solides et, le cas échéant, taillez ou coupez manuellement.
- **ÉVITER LES DÉMARRAGES ACCIDENTELS** - Ne pas transporter d'outil branché avec le doigt sur la détente.
- **NE PAS FORCER L'OUTIL** - à tourner à une vitesse plus rapide que celle pour laquelle il est capable de couper efficacement.
- **UTILISER LE BON OUTIL** - Ne pas utiliser cet outil pour tout autre type de travail sauf pour celui pour lequel il est prévu.
- **NE PAS TROP TENDRE LES BRAS** - Conserver son équilibre en tout temps.
- **NE PAS UTILISER LE CORDON DE FAÇON ABUSIVE** - Ne pas tirer sur le cordon d'alimentation pour le débrancher. Tenir le cordon éloigné de la chaleur, de l'huile et des bords tranchants.
- **OUTIL ENDOMMAGÉ** - Si vous frappez ou devenez enchevêtré dans un objet, arrêtez immédiatement l'outil, débranchez-le puis inspectez pour toute trace de dommages qui devront être réparés avant une autre utilisation. Ne pas utiliser avec un moyeu ou une bobine brisés.
- **CORDON D'ALIMENTATION ENDOMMAGÉ** - Tenir éloigné le cordon d'alimentation du fil rotatif. En cas de dommages au cordon d'alimentation, débranchez-le de la prise avant de déplacer l'outil ou d'inspecter le dommage. Un cordon endommagé doit être remplacé avant sa prochaine utilisation.
- **DÉBRANCHER L'OUTIL** - Lorsque inactif, lors de remplacement de fil ou avant un nettoyage.
- **ÉVITER LES CONDITIONS ENVIRONNEMENTALES DANGEREUSES** - Ne pas utiliser d'outils électriques dans des lieux humides ou mouillés. Suivre toutes les directives de ce mode d'emploi pour une utilisation adéquate de votre outil. Ne pas utiliser l'outil sous la pluie.
- **NE PAS UTILISER** d'outils électriques portatifs dans un milieu gazeux ou déflagrant. Les moteurs de ces outils produisent normalement des étincelles qui pourraient enflammer des vapeurs.
- **RANGER LES OUTILS INUTILISÉS À L'INTÉRIEUR** - Lorsqu'ils ne sont pas utilisés, les outils doivent être rangés à l'intérieur, dans un endroit sec et verrouillé, hors de portée des enfants.
- **UN DISJONCTEUR DE FUITE DE TERRE** doit être installé pour protéger les circuits ou prises utilisés pour cet appareil électrique de jardin. Des prises avec fonction de disjoncteur de fuite de terre intégrées sont aussi disponibles et peuvent être utilisées comme mesures de protection.
- **FIXER LE CORDON D'ALIMENTATION** à l'aide du dispositif de retenu de celui-ci tel qu'illustré à la **figure 7**.
- **ÊTRE VIGILANT** - Surveiller le travail effectué. Faire preuve de jugement. Ne pas utiliser l'outil en cas de fatigue.
- **PRENDRE SOIN DES OUTILS ÉLECTRIQUES** - Suivre les directives figurant à la section Entretien. Inspecter régulièrement les rallonges électriques et remplacer si endommagées. Maintenir les poignées sèches, propres et exemptes d'huile et de graisse.
- **VÉRIFIER LES PIÈCES ENDOMMAGÉES** - Avant toute utilisation ultérieure de l'appareil électrique, un dispositif de protection endommagé, ou toute autre pièce endommagée, doit être examiné soigneusement afin d'assurer un fonctionnement adéquat selon sa fonction prévue. Vérifier l'alignement des pièces mobiles, la présence de grippage des pièces mobiles, de rupture de pièces, la fixation et tout autre problème pouvant nuire au fonctionnement de l'outil. Un dispositif de protection endommagé, ou toute autre pièce endommagée, doit être réparé ou remplacé adéquatement par un centre de réparation autorisé à moins d'un avis contraire indiqué dans le présent mode d'emploi.
- **AVERTISSEMENT :** Pour réparer tout outil à double isolation, VEUILLEZ UTILISER DES PIÈCES DE RECHANGE IDENTIQUES. Remplacer ou réparer les cordons endommagés.
- **AVERTISSEMENT :** Pour prévenir un choc électrique ou une électrocution, se servir uniquement d'une rallonge convenant à une utilisation à l'extérieur. Toujours brancher les rallonges à une prise avec fusible ou protégée par un disjoncteur.

## ⚠ AVERTISSEMENTS SUPPLÉMENTAIRES POUR MINITONDEUSES À FIL ROTATIF

- NE PAS immerger l'outil dans l'eau ou l'arroser au boyau. ÉVITER la pénétration de tout liquide dans l'outil.
- NE PAS ranger l'outil sur des engrais ou des produits chimiques ou près de ceux-ci.
- NE PAS nettoyer avec un nettoyeur à pression.

## ⚠ AVERTISSEMENTS DE SÉCURITÉ ET DIRECTIVES : FICHES POLARISÉES

Pour réduire le risque de chocs électriques, cet équipement comporte une fiche polarisée (une broche est plus large que l'autre) et exigera l'utilisation d'une rallonge polarisée. La fiche de l'outil électrique ne se branchera que d'une seule façon dans une rallonge polarisée. Si la fiche ne s'insère pas totalement dans la rallonge, renversez-la. Si la prise ne s'insère toujours pas, recherchez une rallonge polarisée appropriée. Une rallonge polarisée exigera l'utilisation d'une prise murale polarisée. Cette fiche ne se branchera que d'une seule façon dans une prise murale polarisée. Si la fiche ne s'insère pas totalement dans la prise murale, renversez-la. Si elle ne s'insère toujours pas dans la prise, demandez à un électricien compétent d'installer une prise murale polarisée. Ne modifiez en aucun cas la fiche de l'appareil, la prise ou la fiche de la rallonge.

## ⚠ AVERTISSEMENTS DE SÉCURITÉ ET DIRECTIVES : RALLONGES ÉLECTRIQUES

S'assurer que la rallonge est en bon état. Lorsque qu'une rallonge électrique est utilisée, s'assurer d'en utiliser une de calibre suffisamment élevé pour assurer le transport du courant nécessaire au fonctionnement de votre appareil. Un cordon de calibre inférieur causera une chute de tension de ligne et donc une perte de puissance et une surchauffe. Le tableau indique le calibre approprié à utiliser selon la longueur du cordon et l'intensité nominale de la plaque signalétique. En cas de doute, utiliser le calibre suivant le plus gros. Plus le numéro de calibre est petit, plus le cordon est lourd. Si la rallonge est utilisée à l'extérieur, elle doit être prévue à cet effet. Les lettres « WA » marquées sur l'enveloppe du cordon indiquent que le cordon convient à un usage extérieur.

Calibre minimal des cordons de rallonge					
Tension	Longueur totale du cordon en pieds				
120V	0-25	26-50	51-100	101-150	
	(0-7,6m)	(7,6-15,2m)	(15,2-30,4m)	(30,4-45,7m)	
240V	0-50	51-100	101-200	201-300	
	(0-15,2m)	(15,2-30,4m)	(30,4-60,9m)	(60,9-91,4m)	
Intensité (A)		Calibre moyen des fils (AWG)			
Au moins	Au plus				
0	- 6	18	16	16	14
6	- 10	18	16	14	12
10	- 12	16	16	14	12
12	- 16	14	12	Non recommandé	

### CONSERVER CES MESURES.

## CONFIGURATION DE L'ASSEMBLAGE ET DES RÉGLAGES

### OUTILS NÉCESSAIRES POUR L'ASSEMBLAGE (non compris) :

- tournevis cruciforme

### FIXATION DU DISPOSITIF DE PROTECTION À DEUX PIÈCES

⚠ **AVERTISSEMENT : débrancher l'outil avant d'installer le dispositif de protection. NE JAMAIS UTILISER L'OUTIL SANS LE DISPOSITIF DE PROTECTION SOLIDEMENT ATTACHÉ. Le dispositif de protection doit toujours être en place sur l'outil pour protéger l'opérateur.**

- Retirer les deux pièces qui composent le dispositif, de l'emballage.
- Fixer la **première** section du protège-lame en insérant d'abord l'onglet latéral dans la rainure autour du boîtier comme indiqué à la **figure 1**. Aligner le trou du protège-lame et le gougeon du boîtier du taille-bordure.
- Retirer la vis de la deuxième section du protège-lame.
- Insérer l'onglet **supérieur** de la deuxième section dans la première section comme indiqué à la **figure 2**. **REMARQUE : engager la rainure derrière l'onglet au-dessus de la rainure de la première section du dispositif de protection. (consulter l'encadré de la figure 2).**
- Insérer l'onglet **latéral** de la première section dans l'encoche de la deuxième section. Un « dé clic » se fait entendre lorsque les deux pièces sont bien engagées (**figure 3**).
- Insérer la vis de 19 mm (3/4 po) pour terminer l'assemblage du protège-lame comme indiqué à la **figure 4**.
- Une fois le dispositif de protection en place, retirer l'enveloppe de la lame, pour la coupe du fil, située sur le bord de la deuxième section du dispositif de protection.

### FIXATION DU GUIDE DE CHANT

- Retirer le guide de chant de l'emballage.
- Insérer une extrémité du guide dans l'orifice du boîtier, comme le montre la **figure 5**.
- Tirer sur l'autre extrémité du guide jusqu'à ce qu'elle s'insère dans l'orifice opposé du boîtier (**figure 6**).
- Tourner le guide contre le boîtier comme le montre la **figure 7**. **REMARQUE** : le guide devrait reposer à plat contre le boîtier en plastique comme dans l'illustration.

### FIXATION DE LA POIGNÉE AUXILIAIRE

- Fixer la poignée à la tige métallique du taille-bordure (le logo de Black & Decker vers le haut) en l'insérant sur la tige par le côté. Une fois insérée sur la tige, faire pivoter la poignée pour la fixer dans la bonne position.
- Insérer un boulon de 63,5 mm (2 1/2 po) dans les trous de la poignée et visser le bouton de plastique comme indiqué à la **figure 8**.
- Pour un maximum de confort et de maîtrise, régler la poignée auxiliaire à votre hauteur de travail. Les utilisateurs plus petits peuvent abaisser la poignée (l'éloigner de l'utilisateur) et ceux plus grands peuvent élever la position de la poignée (la rapprocher de l'utilisateur). Ajuster la poignée de sorte que le bras avant soit complètement droit lorsque le taille-bordure est en position de fonctionnement.

### RÉGLABLE DE LA HAUTEUR

- Il est possible de régler la hauteur totale du taille-bordure. Pour ce faire, appuyer sur le bouton indiqué à la **figure 9**, déplacer le tube métallique vers le bas ou le haut dans l'une des trois encoches rectangulaires du tube jusqu'à ce qu'il s'engage avec un « dé clic ».
- ⚠ **MISE EN GARDE** : vérifier si le tube est bien engagé. Relâcher le bouton et tirer vers le bas sur le tube.

### FIXATION DE LA RALLONGE

- Un dispositif de retenue (**figure 10**) est intégré dans la poignée de la gâchette pour empêcher le débranchement de la rallonge. Pour utiliser ce dispositif, replier simplement la rallonge en deux à environ 203 mm (8 po) de l'extrémité puis l'insérer dans l'encoche logée sous la poignée. Fixer la boucle ainsi formée en repliant la rallonge sur l'onglet. Tirer délicatement sur la rallonge afin de s'assurer que celle-ci est fermement retenue par la poignée du taille-haie. Insérer les lames du réceptacle du taille-bordure dans la fiche de la rallonge.

## DIRECTIVES D'UTILISATION

⚠ **AVERTISSEMENT** : toujours utiliser une protection oculaire appropriée conforme à la norme ANSI Z87.1 (CAN/CSA Z94.3) lors de l'utilisation de cet outil électrique.

⚠ **MISE EN GARDE** : inspecter la zone qui sera taillée et retirer tout morceau de fil, de corde ou d'objets similaires qui pourraient s'enchevêtrer dans le fil rotatif ou avec la bobine.

Être spécialement attentif et éviter, sur le parcours de l'outil, tout fil courbé vers l'extérieur comme les fils métalliques au pied d'une clôture à mailles losangées.

### MISE EN MARCHÉ ET ARRÊT

- Pour mettre l'outil en marche, appuyer sur le levier de déclenchement.
- Pour éteindre l'outil, relâcher le levier de déclenchement.
- Avec le moteur en marche, incliner l'appareil et balancer lentement le taille-bordure d'un côté à l'autre tel qu'indiqué à la **figure 11**.
- Pour l'utilisation en tant que coupe-bordure d'entretien, débrancher l'appareil de la source d'alimentation. Enfoncer le bouton et faire pivoter le tube d'un demi-tour comme indiqué à la **figure 9**. L'outil se bloquera en position. Tirer doucement sur le guide de coupe de bordure pour le mettre en place et positionner le taille-bordure comme indiqué à la **figure 12**.
- Pour revenir à la position de taille-bordure, débrancher l'appareil de la prise puis appuyer

sur le bouton et retourner la tige de 180°. L'outil se verrouillera en position de taille-bordure. Lors de l'utilisation de l'outil, mettre le guide de coupe de bordure dans sa position d'origine, hors du parcours.

### FONCTION DE SOUFFLEUR (MODÈLE GH750 SEULEMENT - FIGURE 13)

Le modèle GH750 canalise vers le haut, par le dispositif de protection, l'air créé par le moteur. Vous obtenez ainsi un souffleur intégré. Cette fonction permet de souffler les brins d'herbe coupés hors des trottoirs et autres surfaces dures.

### FIL TRANCHANT / AVANCE DU FIL

Votre taille-bordure utilise un fil de nylon **RONDE** de 1,65 mm (0,065 po) de diamètre. En cours d'utilisation, les extrémités des fils de nylon s'effilocheont et s'useront. Le moyeu d'alimentation automatisé de fil fournira et coupera automatiquement une nouvelle longueur de fil. Le fil tranchant s'usera plus rapidement et exigera une quantité plus élevée de fil si la coupe ou le taillage s'effectue le long de trottoirs ou autres surfaces abrasives ou si des broussailles plus épaisses sont coupées. Le mécanisme évolué d'alimentation automatisée du fil perçoit la demande accrue de fil et fournit et coupe la bonne longueur de fil dès qu'elle est nécessaire. Ne pas frapper l'appareil sur le sol pour alimenter l'appareil ou pour toute autre raison.

### INSERTION D'UNE BOBINE AFS DE FIL NEUVE (FIGURES 14 ET 15)

- Débrancher l'outil.
- Enfoncer les languettes (a) et retirer la cassette (b) de son logement (c) dans la tête du taille-bordure (**figure 14**).
- En tenant la bobine vide (d) d'une main et la cassette de l'autre, tirer sur la bobine afin de la sortir de la cassette. Si le levier (e) situé à la base de la cassette se détache, le replacer en position correcte avant d'insérer la nouvelle bobine dans la cassette.
- Retirer l'herbe et les saletés présentes dans la cassette et son logement.
- Prendre la bobine neuve et l'enfoncer sur la saillie (f) (**figure 15**) de la cassette. Faire pivoter légèrement la bobine jusqu'à ce qu'elle soit bien installée.
- Détacher l'extrémité de l'un des fils de coupe et la faire passer par l'un des oeillets (g), **figure 15**. Faire sortir environ 111 mm (4 3/8 po) de fil de la cassette.
- Détacher l'extrémité de l'autre fil de coupe et la faire passer dans l'autre oeillet. Faire sortir environ 111 mm (4 3/8 po) de fil de la cassette.
- Aligner les languettes de la cassette (a) avec les encoches (h) du logement (**figure 14**).
- Placer la cassette dans son logement et appuyer jusqu'à ce qu'elle s'enclenche.

**MISE EN GARDE** : si les fils dépassent la lame du taille-bordure (i), les couper de sorte qu'elles atteignent à peine la lame (**figure 14**) pour éviter d'endommager l'outil.

• **Pour obtenir une alimentation du fil sans tracas et des résultats optimaux, utiliser uniquement les bobines de rechange Black & Decker pourvues d'un fil double de 1,65 mm (0,065 po). Le numéro de modèle de la bobine de rechange Black & Decker est DF-065.**

### REMOBINAGE DE FIL NEUF SUR UNE BOBINE VIDE (FIGURES 16 ET 17)

Il est possible d'enrouler du fil de rechange sur une bobine vide. Votre centre de réparation régional offre des emballages de fils de rechange neuf de 1,65 mm (0,065 po).

- Retirer la bobine vide de l'outil comme décrit sous la rubrique « **INSERTION D'UNE BOBINE AFS DE FIL NEUVE** ».
- Retirer tout reste de fil de coupe de la bobine.
- Enrouler le fil de rechange en commençant par la partie supérieure de la bobine.
  - Insérer 19 mm (3/4 po) de fil dans l'une des encoches d'ancrage.
  - Enrouler le fil de coupe sur la bobine dans la direction indiquée par la flèche sur la bobine. Prendre soin d'enrouler le fil de façon nette et ordonnée par couches successives. Ne pas croiser le fil (**figure 16**).
  - Couper le fil enroulé lorsqu'il atteint les encoches (j) (**figure 17**).
  - Placer temporairement le fil dans l'une des encoches de retenue (k) sur l'un des côtés de la bobine, comme indiqué sur l'encadré de la **figure 17**.
- Répéter la procédure ci-dessus pour le second fil de coupe sur la partie inférieure de la bobine.
- Mettre en place la bobine sur l'outil comme décrit sous la rubrique « Insertion d'une bobine de fil neuve ».

⚠ **MISE EN GARDE** : avant de commencer à travailler avec le taille-bordure, s'assurer que le fil employé est le type de fil adéquat. Vérifier que le fil de coupe est présent dans les deux parties de la bobine (**figure 15**).

**IMPORTANT** : pour assurer la SÉCURITÉ et la FIABILITÉ du produit, confier toute réparation, entretien ou réglage à un centre de réparation autorisé ou autres centres qualifiés et toujours utiliser des pièces de rechange identiques.

### ACCESSOIRES

Utiliser la bobine de rechange Black & Decker de modèle n° DF-065.

Recharger le fil de nylon (en vrac ou pré-enroulé sur la bobine de rechange) selon les directives de ce mode d'emploi.

- UTILISER UNIQUEMENT DU FIL DE NYLON (MONOFILAMENT) DE 1,65 mm (0 065 po) DE DIAMÈTRE. Ne pas utiliser de fil dentelé ou de plus gros calibre, car ces fils surchargeront le moteur et provoqueront une surchauffe. L'appareil fonctionne correctement uniquement avec du fil de nylon (monofilament) de 1,65 mm (0 065 po) de diamètre. Ce fil est disponible auprès de votre détaillant local ou centre de réparation autorisé.

⚠ **MISE EN GARDE** : l'utilisation de tout accessoire non recommandé par Black & Decker, avec cet outil, pourrait s'avérer dangereuse.

### MAINTENANCE

⚠ **MISE EN GARDE** : pour éviter des blessures graves, éteindre et débrancher l'outil avant d'effectuer toute opération de maintenance.

- Tenir les orifices de ventilation (**figure 18**) dégagés pour éviter la surchauffe.
- Votre fil rotatif peut sécher avec le temps. Pour tenir votre fil en excellente condition, entreposer les bobines de rechange de fil pré-enroulé ou le fil en vrac dans un sac en plastique scellé contenant une cuillère d'eau.
- Les pièces en plastique se nettoient avec un savon doux et un chiffon humide.
- Le coupe fil sur le bord du dispositif de protection peut s'émousser avec le temps. Il est recommandé de s'assurer régulièrement que la lame est bien tranchante en utilisant une lime.

### DÉPANNAGE

⚠ **MISE EN GARDE** : pour éviter des blessures graves, éteindre et débrancher l'outil avant d'effectuer toute opération de maintenance.

#### L'outil fonctionne lentement

- Vérifier que le logement de la cassette peut tourner librement. Le nettoyer avec précaution si nécessaire.
- S'assurer que le fil sort d'au plus 111 mm (4 3/8 po) de la cassette. Le cas échéant, le couper afin que sa longueur atteigne juste la lame de coupe.

#### L'alimentation automatique (AFS) ne fonctionne pas

- Maintenir les languettes enfoncées et retirer la cassette de son logement dans la tête du taille-bordure.
- Tirer environ 111 mm (4 3/8 po) de fil de coupe hors de la cassette. Si la longueur de fil restant sur la cassette est insuffisante, installer une nouvelle bobine de fil.
- Aligner les languettes de la cassette avec les fentes pratiquées dans le logement.
- Placer la cassette dans son logement et appuyer jusqu'à ce qu'elle s'enclenche.
- Si le fil dépasse au-delà de la lame de coupe, le couper de façon à ce qu'il atteigne juste la lame.

Si l'alimentation automatique de fil ne fonctionne toujours pas ou si la bobine se bloque, procéder comme suit :

- Nettoyer avec précaution la cassette et son logement.
- Retirer la bobine et vérifier que le levier dans la cassette peut se déplacer librement.
- Retirer la bobine et dérouler le fil de coupe, puis l'enrouler à nouveau de façon ordonnée. Replacer la bobine dans la cassette.

### INFORMATION SUR LES RÉPARATIONS

Tous les centres de réparation Black & Decker sont dotés de personnel qualifié en matière d'outillage électrique; ils sont donc en mesure d'offrir à leur clientèle un service efficace et fiable. Que ce soit pour un avis technique, une réparation ou des pièces de rechange authentiques installées en usine, communiquer avec l'établissement Black & Decker le plus près de chez vous. Pour trouver l'établissement de réparation de votre région, consulter le répertoire des Pages jaunes à la rubrique « Outils électriques » ou composer le numéro suivant : **1-800-544-6986** ou consulter le site [www.blackanddecker.com](http://www.blackanddecker.com)

### GARANTIE COMPLÈTE DE DEUX ANS POUR UNE UTILISATION DOMESTIQUE

Black & Decker (É.-U.) Inc. garantit ce produit pour une durée de deux ans contre tout défaut de matériau ou de fabrication. Le produit défectueux sera remplacé ou réparé sans frais de l'une des deux façons suivantes :

La première façon consiste en un simple échange chez le détaillant qui l'a vendu (pourvu qu'il s'agisse d'un détaillant participant). Tout retour doit se faire durant la période correspondant à la politique d'échange du détaillant (habituellement, de 30 à 90 jours après l'achat). Une preuve d'achat peut être requise. Vérifier auprès du détaillant pour connaître sa

politique concernant les retours hors de la période définie pour les échanges.  
La deuxième option est d'apporter ou d'envoyer le produit (transport payé d'avance) à un centre de réparation autorisé ou à un centre de réparation de Black & Decker pour faire réparer ou échanger le produit, à notre discrétion. Une preuve d'achat peut être requise. Les centres Black & Decker et les centres de service autorisés sont répertoriés dans les pages jaunes, sous la rubrique « Outils électriques ».  
Cette garantie ne s'applique pas aux accessoires. Cette garantie vous accorde des droits légaux spécifiques et vous pourriez avoir d'autres droits qui varient d'un État ou d'une province à l'autre. Pour toute question, communiquer avec le directeur du centre de réparation Black & Decker le plus près de chez vous. Ce produit n'est pas destiné à un usage commercial.  
**REEMPLACEMENT GRATUIT DES ÉTIQUETTES D'AVERTISSEMENT** : si les étiquettes d'avertissement deviennent illisibles ou sont manquantes, composer le **1-800-544-6986** pour en obtenir le remplacement gratuit.

Imported by / Importé par  
Black & Decker Canada Inc.  
100 Central Ave.  
Brockville (Ontario) K6V 5W6

Voir la rubrique "Outils électriques"  
des Pages jaunes  
pour le service et les ventes.



## MANUAL DE INSTRUCCIONES DE PODADORA/BORDEADORA

Catálogo N° GH700, GH750

Gracias por elegir Black & Decker!  
Visite [www.BlackandDecker.com/NewOwner](http://www.BlackandDecker.com/NewOwner)  
para registrar su nuevo producto.

### LEA EL MANUAL ANTES DE DEVOLVER ESTE PRODUCTO POR CUALQUIER MOTIVO:

Si tiene una consulta o algún inconveniente con su producto Black & Decker, visite

[HTTP://WWW.BLACKANDDECKER.COM/INSTANTANSWERS](http://www.blackanddecker.com/instantanswers)

para obtener respuestas instantáneas las 24 horas del día.

Si no encuentra la respuesta o no tiene acceso a Internet, llame al 1-800-544-6986 de  
lunes a viernes de 8 a.m. a 5 p.m. hora del Este para hablar con un agente.

Cuando llame, tenga a mano el número de catálogo.

### INFORMACION CLAVE QUE DEBE SABER:

- El protector debe instalarse antes de podar o bordear. De lo contrario, el motor se sobrecalentará.
- Al reemplazar la cuerda, utilice sólo una cuerda REDONDA de 1,7 mm (0,065 pulg.) de diámetro. De lo contrario, la unidad no funcionará correctamente.
- No golpee el cabezal de alimentación contra el piso. Esto interrumpirá el mecanismo de alimentación.
- La herramienta debe inclinarse levemente (entre 5° y 10°) al podar.
- Siempre utilice el dispositivo de retención del cable y la función de bloqueo del cable de prolongación.
- Para lograr una alimentación sin problemas y los mejores resultados, utilice únicamente carretes de repuesto de Black & Decker con cuerda doble de 1,65 mm (0,065 pulgada). Carrete de repuesto de Black & Decker número de modelo DF-065.

### CONSERVE ESTE MANUAL PARA FUTURAS CONSULTAS.

#### ⚠ ADVERTENCIA: INSTRUCCIONES Y ADVERTENCIAS IMPORTANTES SOBRE SEGURIDAD:

##### PARA REDUCIR EL RIESGO DE LESIONES:

- Antes de utilizar la herramienta, asegúrese de que todas las personas que la utilicen hayan leído y comprendido todas las instrucciones de seguridad y demás información incluida en este manual.
- Guarde estas instrucciones y revíselas con frecuencia antes de usar y al enseñarles a los demás.

⚠ **ADVERTENCIA:** Al utilizar herramientas eléctricas para jardín, siempre deben cumplirse las precauciones de seguridad básicas para reducir el riesgo de incendio, descarga eléctrica y lesiones personales, incluidas las siguientes:

⚠ **ADVERTENCIA: Parte del polvo generado por este producto contiene sustancias químicas reconocidas por el Estado de California como causantes de cáncer, defectos congénitos u otros problemas reproductivos. Algunos ejemplos de estas sustancias químicas:**

- compuestos en los fertilizantes
- compuestos en los insecticidas, herbicidas y pesticidas
- arsénico y cromo de la madera con tratamiento químico

Para reducir su exposición a estas sustancias químicas, utilice el equipo de seguridad aprobado, como máscaras para polvo especialmente diseñadas para filtrar partículas microscópicas.

⚠ **ADVERTENCIA:** Este producto contiene sustancias químicas, incluido el plomo, reconocidas por el Estado de California como causantes de cáncer, defectos congénitos u otros problemas reproductivos. Lávese las manos después de utilizarla.

### LEA Y COMPRENDA TODAS LAS INSTRUCCIONES ANTES DE UTILIZAR EL PRODUCTO.

#### PAUTAS DE SEGURIDAD/DEFINICIONES

Es importante que lea y comprenda este manual. La información que contiene se relaciona con la protección de SU SEGURIDAD y la PREVENCIÓN DE PROBLEMAS. Los símbolos que siguen se utilizan para ayudarlo a reconocer esta información.

⚠ **PELIGRO:** indica una situación de peligro inminente que, si no se evita, provocará la muerte o lesiones graves.

⚠ **ADVERTENCIA:** indica una situación de peligro potencial que, si no se evita, provocará la muerte o lesiones graves.

⚠ **PRECAUCIÓN:** indica una situación de peligro potencial que, si no se evita, provocará lesiones leves o moderadas.

**PRECAUCIÓN:** utilizado sin el símbolo de alerta de seguridad indica una situación de peligro potencial que, si no se evita, puede provocar daños en la propiedad.

#### ⚠ ADVERTENCIAS E INSTRUCCIONES DE SEGURIDAD GENERALES PARA TODAS LAS HERRAMIENTAS

- SIEMPRE UTILICE PROTECCIÓN PARA LOS OJOS:** utilice gafas o anteojos de seguridad en todo momento que esta herramienta esté enchufada.
- PROTECTOR:** nunca utilice esta herramienta sin el protector.
- UTILICE LA VESTIMENTA ADECUADA:** no utilice ropa holgada ni joyas. Pueden atascarse en las piezas móviles. Se recomienda utilizar guantes de goma y calzado con una suela de goma considerable al trabajar al aire libre. No opere la herramienta descalzo ni con sandalias abiertas. Utilice pantalones largos para protegerse las piernas. Recójase y cubra el cabello largo.

- CUERDA DE NYLON:** mantenga la cara, las manos y los pies lejos de la cuerda de nylon giratoria en todo momento.
- LA CUERDA GIRATORIA REALIZA UNA FUNCIÓN DE CORTE:** tenga precaución al podar alrededor de pantallas y plantas que desea.
- MANTENGA ALEJADOS A TODOS LOS ESPECTADORES:** a una distancia segura, especialmente a los niños.
- ADVERTENCIA IMPORTANTE:** al utilizar la herramienta como Bordeadora, las piedras, las piezas de metal y otros objetos pueden ser arrojados a alta velocidad por la acción de la cuerda. La herramienta y el protector están diseñados para reducir el peligro. No obstante, se deben tener en cuenta las siguientes precauciones especiales:
- ASEGÚRESE** de que las demás personas y mascotas estén a no menos de 30 m (100 pies) de distancia.
- PARA REDUCIR EL RIESGO** de lesiones por repercusión (rebote), trabaje lejos de cualquier objeto sólido cercano, como pared, escalones, piedras grandes, árboles, etc. Tenga suma precaución al trabajar cerca de objetos sólidos y, cuando sea necesario, pade o recorte los bordes en forma manual.
- EVITE EL ARRANQUE ACCIDENTAL:** nunca transporte la herramienta enchufada con el dedo en el interruptor.
- NO FUERCE LA HERRAMIENTA:** a una velocidad más rápida de la velocidad para la que fue diseñada para cortar en forma eficaz.
- UTILICE LA HERRAMIENTA ADECUADA:** no utilice esta herramienta para un trabajo diferente a aquéllos para los que fue diseñada.
- NO SE ESTIRE:** conserve el equilibrio adecuado y manténgase parado correctamente en todo momento.
- NO TIRE DEL CABLE:** no jale el cable de la fuente de energía. Mantenga el cable alejado del calor, el aceite y los bordes afilados.
- DAÑO A LA UNIDAD:** si golpea la herramienta o ésta se atasca con un objeto extraño, deténgala de inmediato, desenchúfela, verifique que no se haya dañado y repare cualquier daño antes de seguir utilizándola. No opere la herramienta si la bobina o el carrete están dañados.
- DAÑOS DEL CABLE:** mantenga el cable de alimentación lejos de la cuerda giratoria. Si daña el cable, desenchúfelo de la fuente de alimentación antes de mover la herramienta o examinar el cable. Un cable dañado debe reemplazarse antes de utilizarlo.
- DESCONECTE LA HERRAMIENTA:** cuando no la utilice, al reemplazar la cuerda o antes de limpiarla.
- EVITE LAS CONDICIONES AMBIENTALES PELIGROSAS:** no utilice herramientas eléctricas en lugares húmedos o mojados. Siga todas las instrucciones incluidas en este Manual de instrucciones para una operación adecuada de la herramienta. No utilice la herramienta bajo la lluvia.
- NO OPERE** herramientas eléctricas portátiles en atmósferas gaseosas o explosivas. Los motores de estas herramientas normalmente chispean, y las chispas pueden encender los vapores.
- GUARDE LAS HERRAMIENTAS QUE NO SE UTILICEN EN EL INTERIOR:** cuando no las utilice, las herramientas deben guardarse en un lugar seco, alto o bajo llave, fuera del alcance de los niños.
- La protección del **INTERRUPTOR DE CORTE POR FALLA A TIERRA (GFCI)** debe aplicarse a los circuitos o los tomacorrientes que se utilizarán en electrodomésticos para jardín. Hay tomacorrientes con protección GFCI incorporada y pueden utilizarse para tomar esta medida de protección.
- FIJE EL CABLE DE PROLONGACIÓN** utilizando el dispositivo de retención del cable que se muestra en la **Figura 3**.
- ESTÉ ALERTA:** fíjese en lo que está haciendo. Use el sentido común. No opere la herramienta si está cansado.
- CONSERVE LAS HERRAMIENTAS ADECUADAMENTE:** siga las instrucciones en la sección de mantenimiento. Inspeccione los cables prolongadores periódicamente y reemplácelos si están dañados. Mantenga los mangos secos, limpios y libres de aceite y grasas.
- VERIFIQUE LAS PIEZAS AVERIADAS:** antes de volver a utilizar la herramienta, se debe controlar cualquier protección u otra pieza que esté averiada para determinar si funcionará correctamente y realizará la función para la que fue diseñada. Verifique la alineación y la sujeción de las piezas móviles, la rotura de piezas, el montaje y cualquier otra condición que pueda afectar el funcionamiento. Cualquier protección u otra pieza que esté dañada debe ser reparada correctamente o reemplazada por un centro de mantenimiento autorizado, a menos que este manual indique otra cosa.
- ⚠ **ADVERTENCIA:** Al realizar el mantenimiento de las herramientas con doble aislamiento, UTILICE SÓLO PIEZAS DE REPUESTO IDÉNTICAS. Repare o reemplace los cables dañados.
- ⚠ **ADVERTENCIA:** Para evitar el riesgo de descargas eléctricas, sólo utilice con un cable de prolongación adecuado para uso en exteriores. Siempre conecte los cables prolongadores a una línea con fusible o a una protegida por un interruptor de circuitos.

#### ⚠ ADVERTENCIA ADICIONALES PARA PODADORES DE CADENA

- NO sumerja la herramienta en agua ni la salpique con una manguera. NO permita que ningún líquido entre en ella.
- NO guarde la herramienta sobre o cerca de fertilizantes o productos químicos.
- NO limpie con una lavadora a presión.

#### ⚠ INSTRUCCIONES Y ADVERTENCIAS DE SEGURIDAD: ENCHUFES POLARIZADOS

Para disminuir el riesgo de descargas eléctricas, este equipo posee un enchufe polarizado (una pata es más ancha que la otra) y requerirá el uso de un cable prolongador polarizado. El enchufe de la herramienta se ajustará en un cable prolongador polarizado de una sola manera. Si el cable prolongador no se ajusta totalmente en el tomacorriente, invierta el enchufe. Si aún así no se ajusta, obtenga un cable prolongador polarizado adecuado. Un cable prolongador polarizado requerirá el uso de un tomacorriente de pared polarizado. Este enchufe se ajustará en un tomacorriente de pared polarizado de una sola manera. Si el enchufe no se ajusta totalmente en el tomacorriente de pared, invierta el enchufe. Si aún así no se ajusta bien, recurra a un electricista calificado para que instale un tomacorriente de pared adecuado. No cambie el enchufe del equipo, el tomacorriente del cable prolongador ni el enchufe del cable prolongador de ninguna manera.

#### INSTRUCCIONES Y ADVERTENCIAS DE SEGURIDAD: CABLES PROLONGADORES

Asegúrese de que el cable prolongador esté en buenas condiciones. Cuando utilice un cable prolongador, asegúrese de que tenga la capacidad para conducir la corriente que su producto exige. Un cable de menor capacidad provocará una disminución en el voltaje de la línea que producirá pérdida de potencia y sobrecalentamiento. La tabla muestra la medida correcta que debe utilizar según la longitud del cable y la capacidad nominal en amperios indicada en la placa. En caso de duda, utilice el calibre inmediatamente superior. Cuanto menor sea el número de calibre, más grueso será el cable. Si se utilizará el cable prolongador en el exterior, éste debe ser el adecuado para trabajos al aire libre. Las letras "WA" en la cubierta del cable indican que el cable es apropiado para uso en el exterior.

Volts	Calibre mínimo para cables de extensión			
	Longitud total del cable en pies			
120V	0-25	26-50	51-100	101-150
	(0-7,6m)	(7,6-15,2m)	(15,2-30,4m)	(30,4-45,7m)
240V	0-50	51-100	101-200	201-300
	(0-15,2m)	(15,2-30,4m)	(30,4-60,9m)	(60,9-91,4m)
Amperaje		American Wire Gage		
Más de	No más de			
0	- 6	18	16	14
6	- 10	18	16	12
10	- 12	16	16	14
12	- 16	14	12	No se recomienda

### CONSERVE ESTAS INSTRUCCIONES

#### ENSAMBLADO/REGULACIONES

##### HERRAMIENTAS NECESARIAS PARA EL MONTAJE (NO INCLUIDAS):

- Destornillador Phillips

##### COLOCACIÓN DEL PROTECTOR DE DOS PIEZAS

⚠ **ADVERTENCIA: DESENCHUFE LA HERRAMIENTA ANTES DE INSTALAR EL PROTECTOR. NUNCA OPERE LA HERRAMIENTA SIN EL PROTECTOR ADECUADAMENTE INSTALADO. EL PROTECTOR SIEMPRE DEBE ESTAR INSTALADO EN LA HERRAMIENTA PARA PROTEGER AL USUARIO.**

- Retire de la caja las dos secciones del protector.

- Coloque la **primera** sección del protector. Para ello, inserte la lengüeta lateral dentro de la ranura alrededor de la cubierta, como se muestra en la **figura 1**. Alinee el orificio del protector con el poste de la cubierta de la podadora.

- Retire el tornillo de la segunda sección del protector.
- Inserte la lengüeta superior de la segunda sección del protector en la primera sección del protector, como se muestra en la **figura 2**. **NOTA:** El canal detrás de la lengüeta debe engancharse por encima del canal de la primera sección del protector. (**Consulte el recuadro en la figura 2**).
- Inserte la lengüeta lateral de la primera sección del protector en la ranura de la segunda sección del protector hasta que escuche que encajen (**figura 3**).
- Para completar el ensamblado del protector, ajuste el tornillo de 19 mm (3/4 pulg. ), como se muestra en la **figura 4**.
- Una vez instalado, retire la cubierta de la hoja de corte de la cuerda, ubicada en el extremo de la segunda sección del protector.

#### INSTALACIÓN DE LA GUÍA DE CORTE

- Retire la guía de corte de la caja.
- Inserte uno de los extremos de la guía en el orificio de la cubierta, como se muestra en la **figura 5**.
- Tire del otro extremo de la guía hasta que se deslice por el orificio opuesto de la cubierta (**figura 6**).
- Gire la guía contra la cubierta, como se muestra en la **figura 7**. **NOTA:** La guía debe quedar en posición horizontal sobre la cubierta de plástico, como se muestra en la ilustración.

#### COLOCACIÓN DEL MANGO AUXILIAR

- Para colocar el mango en el eje metálico de la podadora (de manera que el logotipo de Black & Decker mire hacia arriba), empújelo sobre el eje desde el lateral. Después de haberlo empujado sobre el eje metálico, oriéntelo en la dirección correcta.
- Inserte el perno de 64 mm (2-1/2 pulg.) a través de los orificios del mango y enrosque la perilla plástica, como se muestra en la **figura 8**.
- Para mayor comodidad y control, ajuste el mango auxiliar de acuerdo con su altura. Los usuarios de menor estatura deben ajustarlo a una posición más baja (más lejos del cuerpo) y aquéllos de mayor estatura, a una posición más alta (más cerca del cuerpo). El mango se debe ajustar de manera que el brazo delantero esté recto cuando la podadora esté en posición de trabajo.

#### AJUSTE DE ALTURA

- Para ajustar la altura general de la podadora, puede presionar el botón que se muestra en la **figura 9** y mover el tubo de metal hacia arriba o hacia abajo hasta que encaje en una de las tres ranuras rectangulares del tubo. ⚠ **PRECAUCIÓN:** Suelte el botón y empuje el tubo hacia abajo, para asegurarse de que este último esté trabado en su lugar.

#### COLOCACIÓN DEL CABLE PROLONGADOR

- El mango del interruptor tiene incorporado un dispositivo de retención del cable prolongador (**figura 10**) que evita que el cable se desenchufe. Para utilizarlo, simplemente doble aproximadamente 203 mm (8 pulg.) del cable prolongador desde el extremo y colóquelo en la ranura que está en la parte inferior del área del mango. Para enganchar el bucle que se forma, doble el cable sobre la lengüeta. Jale suavemente del cable para asegurarse de que quede firmemente retenido en el mango de la podadora. Enchufe el extremo del receptáculo del cable prolongador en las hojas del enchufe de la podadora.

## INSTRUCCIONES DE OPERACIÓN

⚠ **ADVERTENCIA:** *Utilice siempre la protección para los ojos adecuada que cumple con la norma ANSI Z87.1 (CAN/CSA Z94.3) mientras opera esta herramienta.*

⚠ **PRECAUCIÓN:** Inspeccione el área que desea podar y retire cualquier cable, alambre u objeto similar a un cordón que pueda atascarse en la cuerda o el carrete giratorio. Tenga especial precaución a fin de evitar cables que estén doblados hacia afuera del trayecto de la herramienta, como las púas en la base de un alambre de púas.

#### ENCENDIDO Y APAGADO

- Para encender la herramienta, presione la palanca del interruptor.
- Para apagar la herramienta, suelte la palanca del interruptor.
- Con la unidad encendida, gire lentamente la podadora en ángulos de lado a lado, como se muestra en la **figura 11**.
- Para usarla como bordeadora de mantenimiento, desenchufe la podadora de la fuente de alimentación. Presione el botón y gire el tubo 180°, como se muestra en la **figura 9**. La herramienta se bloqueará en posición. Jale suavemente la guía del borde del cable hacia abajo en el lugar y ubique la podadora sobre la superficie, como se muestra en la **figura 12**.
- Para volver a la posición de podadora al desenchufar la unidad de la fuente de alimentación, presione el botón y gire el tubo 180° nuevamente. La herramienta se bloqueará en la posición de podadora. Al utilizar la herramienta, coloque la guía del borde del cable en la posición original, fuera del trayecto.

#### FUNCIÓN DE SOPLADORA (SÓLO EN GH750 - FIGURA 13)

La GH750 libera el aire que genera el motor hacia arriba a través del protector y crea una barredora incorporada. Esta función se puede utilizar para soplar recortes de césped de aceras y otras áreas de superficie dura.

#### CUERDA DE CORTE/ALIMENTACIÓN DE LA CUERDA

Su podadora utiliza una cuerda de nylon REDONDA de 1,7 mm (0,065 pulg.) de diámetro. Durante el uso, las puntas de las cuerdas de nylon se deshilacharán y desgastarán, y la bobina de la cuerda de alimentación automática especial se autoalimentará y recortará la cuerda para proporcionar una punta nueva. La cuerda de corte se desgastará más rápido y necesitará más alimentación si el corte o el borde se realiza cerca de aceras u otras superficies abrasivas, o si se cortan malezas más espesas. El mecanismo avanzado de alimentación automática de la cuerda detecta cuándo se necesita más cuerda de corte y alimenta y corta la longitud correcta de cuerda según sea necesario. No deje caer la unidad al intentar alimentar una cuerda ni por algún otro motivo.

#### COLOCACIÓN DE UN CARRETE NUEVO AFS (BOBINA DE ALIMENTACIÓN AUTOMÁTICA) DE CUERDA DE CORTE (FIGURAS 14 Y 15)

- Desenchufe la herramienta.
- Suelte las lengüetas (a) y retire el cassette (b) de la cubierta del cassette (c) que está en el cabezal de corte (**figura 14**).
- Tome el carrete vacío (d) con una mano y el cassette con la otra, y retire el carrete del cassette. Si la palanca (e) de la base del cassette se desprende, vuélvala a poner en la posición correcta antes de insertar el nuevo carrete en el cassette.
- Limpie cualquier resto de suciedad o césped en el cassette y la cubierta.
- Tome el carrete nuevo y empújelo sobre la saliente (f) (**figura 15**) del cassette. Gire ligeramente el carrete hasta que esté bien colocado.
- Afloje el extremo de una de las cuerdas de corte y ponga la cuerda dentro de uno de los orificios (g). **Figura 15.** La cuerda debe sobresalir aproximadamente 111 mm (4-3/8 pulg.) por afuera del cassette.
- Afloje el extremo de la otra cuerda de corte y ponga la cuerda dentro del otro orificio. La cuerda debe sobresalir aproximadamente 111 mm (4-3/8' pulg.) por afuera del cassette.
- Alinee las lengüetas del cassette (a) con las ranuras (h) de la cubierta (**figura 14**).
- Empuje el cassette dentro de la cubierta hasta que encaje firmemente en su lugar.

**PRECAUCIÓN:** Para evitar que la herramienta se dañe, si las cuerdas de corte sobresalen más allá de la hoja de corte (i), córtelas de manera que sólo lleguen hasta la hoja (**figura 14**).

- **Para lograr una alimentación sin problemas y los mejores resultados, utilice únicamente carretes de repuesto de Black & Decker con cuerda doble de 1,65 mm (0,065 pulgada). Carrete de repuesto de Black & Decker número de modelo DF-065.**

#### CÓMO ENROLLAR UNA NUEVA CUERDA EN UN CARRETE VACÍO (FIGURAS 16 Y 17)

- Puede enrollar una cuerda de corte nueva en un carrete vacío. Puede solicitar paquetes de repuesto de cuerda de corte de 1,7 mm (0,065") a su distribuidor local.
- Retire el carrete vacío de la herramienta como se indica en “**COLOCACIÓN DE UN CARRETE NUEVO AFS (BOBINA DE ALIMENTACIÓN AUTOMÁTICA) DE CUERDA DE CORTE**”.
- Retire cualquier resto de cuerda de corte del carrete.
- Primero, enrolle la nueva cuerda en la parte más elevada del carrete.
  - Introduzca 19 mm (3/4 pulg.) de cuerda de corte en una de las ranuras de anclaje de la cuerda.
  - Enrolle la cuerda de corte en el carrete en la dirección de la flecha que está en el carrete.
- Asegúrese de enrollar la cuerda prolijamente y en capas. No la entrecruce (**figura 16**).
- Cuando la cuerda de corte enrollada llegue a las ranuras (j), corte la cuerda. (**Figura 17**).

- Detenga temporalmente la cuerda en las ranuras de retención (k) en uno de los costados del carrete, como se muestra en el recuadro de la **figura 17**.
- Repita el procedimiento para la segunda cuerda de corte en la sección inferior del carrete.
- Instale el carrete en la herramienta como se indica en “**COLOCACIÓN DE UN CARRETE NUEVO DE CUERDA DE CORTE**”.

⚠ **PRECAUCIÓN:** Antes de comenzar a podar, asegúrese de usar sólo el tipo apropiado de cuerda de corte y de que la cuerda de corte esté presente en ambas secciones del carrete (**figura 15**).

**IMPORTANTE:** para asegurar la SEGURIDAD y la CONFIABILIDAD del producto, las reparaciones, el mantenimiento y los ajustes se deben realizar en los centros de mantenimiento autorizados o con otro personal de mantenimiento calificado, utilizando siempre piezas de repuesto idénticas.

#### ACCESORIOS

Utilice el carrete de repuesto de Black & Decker modelo n.º DF-065.

Vuelva a cargar la cuerda de nylon (de paquete o el carrete de repuesto pre-enrollado) como se muestra en este manual.

- UTILICE SOLAMENTE CUERDA DE MONOFILAMENTO DE 1,7 mm (0,065 pulg.) DE DIÁMETRO. No utilice cuerdas dentadas o de mayor calibre ya que sobrecargarán el motor y provocarán sobrecalentamiento. La unidad sólo funciona correctamente con cuerdas de monofilamento de nylon de 1,7 mm (0,065 pulg.) de diámetro. Puede conseguir esta cuerda a través de su distribuidor local o centro de mantenimiento autorizado.

⚠ **ADVERTENCIA:** El uso de accesorios no recomendados por Black & Decker para esta herramienta puede ser peligroso.

#### MANTENIMIENTO

⚠ **ADVERTENCIA:** Para evitar lesiones graves, apague y desenchufe la herramienta antes de realizar cualquier tipo de mantenimiento.

1. Mantenga limpias las ranuras de admisión de aire (**Figura 18**) para evitar el sobrecalentamiento.
2. La cuerda de la podadora puede secarse con el tiempo. Para conservar la cuerda en óptimas condiciones, guarde los carretes pre-enrollados de repuesto o la cuerda en paquete en una bolsa sellada de plástico con una cucharada de agua.
3. Las piezas de plástico pueden limpiarse utilizando jabón suave y un paño húmedo.
4. La cortadora de cuerda en el extremo del protector puede perder filo con el tiempo. Se recomienda mantener periódicamente el filo de la hoja con una lima.

#### DETECCIÓN DE PROBLEMAS

⚠ **ADVERTENCIA:** Para evitar lesiones graves, apague y desenchufe la herramienta antes de realizar cualquier tipo de mantenimiento.

##### La herramienta funciona lentamente

- Verifique que la cubierta del cassette pueda girar libremente. Si es necesario, límpiela cuidadosamente.
- Verifique que la cuerda de corte no sobresalga más de 111 mm (4-3/8") del cassette aproximadamente. Si sobresale más, corte el excedente de manera que esté a la altura de la cuerda de la hoja de corte.

##### La alimentación automática de la cuerda no funciona

- Mantenga las lengüetas presionadas y retire el cassette de la cubierta en el cabezal de corte.
- Tire de la cuerda de corte hasta que sobresalga 111 mm (4-3/8") del cassette. Si la cuerda de corte que queda en el carrete es insuficiente, instale un nuevo carrete de cuerda de corte.
- Alinee las lengüetas en el cassette con las muescas de la cubierta.
- Empuje el cassette dentro de la cubierta hasta que encaje firmemente en su lugar.
- Si la cuerda de corte sobresale más allá de la hoja de corte, corte el excedente de manera que esté a la altura de la hoja.

Si la alimentación automática de la cuerda aún no funciona o el carrete está atascado, haga lo siguiente:

- Limpie cuidadosamente el cassette y la cubierta.
- Retire el carrete y verifique si la palanca en el cassette se puede mover libremente.
- Retire el carrete y desenrolle la cuerda de corte, para luego volver a enrollarla prolijamente. Vuelva a poner el carrete dentro del cassette.

#### INFORMACIÓN DE MANTENIMIENTO

Todos los Centros de servicio de Black & Decker cuentan con personal altamente capacitado dispuesto a brindar a todos los clientes un servicio eficiente y confiable en la reparación de herramientas eléctricas. Si necesita consejo técnico, reparaciones o piezas de repuesto originales de fábrica, póngase en contacto con el centro de servicio de Black & Decker más cercano a su domicilio. Para ubicar su centro de servicio local, consulte la sección “Herramientas eléctricas” (Tools-Electric) de las páginas amarillas, llame al **1-800-544-6986** o visite nuestro sitio **www.blackanddecker.com**.

#### GARANTÍA COMPLETA DE DOS AÑOS PARA USO EN EL HOGAR

Black & Decker (Estados Unidos) Inc. ofrece una garantía de dos años por cualquier defecto del material o de fabricación de este producto. El producto defectuoso se reparará o reemplazará sin costo alguno de dos maneras.

La primera opción, el reemplazo, es devolver el producto al comercio donde se adquirió (siempre y cuando se trate de un comercio participante). Las devoluciones deben realizarse conforme a la política de devolución del comercio (generalmente, entre 30 y 90 días posteriores a la venta). Le pueden solicitar comprobante de compra. Consulte en el comercio acerca de la política especial sobre devoluciones una vez excedido el plazo establecido.

La segunda opción es llevar o enviar el producto (con flete pago) a un Centro de servicio propio o autorizado de Black & Decker para su reparación o reemplazo según nuestro criterio. Le pueden solicitar el comprobante de compra. Los Centros de servicio autorizados y de propiedad de Black & Decker se detallan en la sección “Herramientas eléctricas” (Tools-Electric) de las páginas amarillas de la guía telefónica.

Esta garantía no se extiende a los accesorios. Esta garantía le concede derechos legales específicos; usted puede tener otros derechos que pueden variar según el estado o la provincia. Si tiene alguna pregunta, comuníquese con el gerente del Centro de servicio de Black & Decker de su zona. Este producto no está diseñado para uso comercial.

**AMÉRICA LATINA:** esta garantía no se aplica a los productos que se venden en América Latina. Para los productos que se venden en América Latina, debe consultar la información de la garantía específica del país que viene en el empaque, llamar a la compañía local o visitar el sitio Web a fin de obtener esa información.

**· GARANTÍA BLACK & DECKER · BLACK & DECKER WARRANTY  
· SOLAMENTE PARA PROPOSITOS DE MEXICO**

Distributor Name · *Sello firma del distribuidor*

Date of purchase · *Fecha de compra*                                  *Invoice No. · No. de factura*

**PRODUCT INFORMATION · IDENTIFICACIÓN DEL PRODUCTO**

Cat. No. · *Catalogo ó Modelo*    *Serial Number · No. de serie*

Name · *Nombre*    *Last Name · Apellido*

Address · *Dirección*

City · *Ciudad*    *State · Estado*

Postal Code · *Código Postal*    *Country · País*

Telephone · *No. Teléfono*

**2 AÑOS DE GARANTIA**

Este producto cuenta con dos años de garantía a partir de la fecha de compra contra cualquier defecto de su funcionamiento, así como cualquier falla debido a materiales empleados para su fabricación ó mano de obra defectuosa.

Nuestra garantía incluye la reparación o reposición del producto y/o componentes sin cargo alguno para el cliente incluyendo la mano de obra, esta incluye los gastos de trasportación erogados para lograr cumplimiento de esta garantía en los domicilios diversos señalados.

Para hacer efectiva esta garantía deberá presentar su herramienta y esta póliza sellada por el establecimiento comercial donde se adquirió el producto.

Nos comprometemos a entregar el producto en un lapso no mayor a 30 días hábiles contados a partir de la fecha de recepción del mismo en nuestros talleres de servicio autorizados.

**ESTA GARANTIA NO APLICA CUANDO:**

El producto se hubiese utilizado en condiciones distintas a las normales.

El producto no hubiese sido operado de acuerdo con el instructivo de uso que se acompaña.

El producto hubiese sido alterado o reparado por personas no autorizadas por nosotros.

Importador: Black & Decker S.A. de .C.V  
Bosque de Cidros Acceso Radiatas No.42  
3ra.Seccion de Bosques de las lomas  
C.P.05120, Mexico, D.F. Tel: (01 55) 5326 7100

**SOLAMENTE PARA PROPOSITOS DE MEXICO**

**Grupo Realsa en herramientas,  
S.A. de C.V.**  
Súper Manzana 69 MZ.01 Lote 30  
(Av. Torcasita)  
Col. Puerto Juárez  
Cancún, Quintana Roo  
Tel. 01 998 884 72 27

**Ferre Pat de Puebla, S.A. de C.V.**  
16 de Septiembre No. 6149  
Col. El Cerrito  
Puebla, Puebla  
Tel. 01 222 264 12 12

**Ferre Pat de Puebla, S.A. de C.V.**  
Ejército Mexicano No. 15  
Col. Ejido 1ro. de Mayo  
Boca del Rio, Veracruz  
Tel. 01 229 167 89 89

**Servicio de Fabrica Black & Decker,  
S.A. de C.V.**  
Lázaro Cardenas No. 18  
Col. Obrera  
Distrito Federal  
Tel. 55 88 95 02

**Representaciones Industriales Robles,  
S.A. de C.V.**  
Tezozomoc No. 89  
Col. La Preciosa  
Distrito Federal  
Tel. 55 61 86 82

**Gpo. Comercial de Htas. y Refacciones  
de Occidente, S.A. de C.V.**  
Av. La Paz No. 1779  
Col. Americana, S. Juaréz  
Guadalajara, Jalisco  
Tel. 01 33 38 25 69 78

**Herramientas y Equipos Profesionales**  
Av. Colón 2915 Ote.  
Col. Francisco I. Madero  
Monterrey, Nvo. León  
Tel. 01 81 83 54 60 06

**Htas. Portátiles de Chihuahua,  
S.A. de C.V.**  
Av. Universidad No. 2903  
Col. Fracc. Universidad  
Chihuahua, Chihuahua  
Tel. 01 614 413 64 04

**Fernando González Armenta**  
Bolivia No. 605  
Col. Felipe Carrillo Puerto  
Cd. Madero, Tampico  
Tel. 01 833 221 34 50

**Perfiles y Herramientas de Morelia**  
Gertrudis Bocanegra No. 898  
Col. Ventura Puente  
Morelia, Michoacán  
Tel. 01 443 313 85 50

**Enrique Robles**  
Av. de la Solidaridad No. 12713  
Col. La Pradera  
Irapuato, Guanajuato  
Tel. 01 462 626 67 39

**Hernández Martínez Jeanette**  
Prolongación Corregidora Nte. No. 1104  
Col. Arboledas  
Queretaro, Qro.  
Tel. 01 442 245 25 80

**PARA OTRAS LOCALIDADES LLAME AL 01 800 847 2309 o 01 800 847 2312.**

**Vea “Herramientas  
eléctricas (Tools-Electric)”  
– Páginas amarillas –  
para Servicio y ventas**



BLACK & DECKER S.A. DE C.V.  
BOSQUES DE CIDROS ACCESO RADIATAS  
NO. 42  
COL. BOSQUES DE LAS LOMAS.  
05120 MEXICO, D.F.  
TEL. 55-5326-7100

## Free Manuals Download Website

<http://myh66.com>

<http://usermanuals.us>

<http://www.somanuals.com>

<http://www.4manuals.cc>

<http://www.manual-lib.com>

<http://www.404manual.com>

<http://www.luxmanual.com>

<http://aubethermostatmanual.com>

Golf course search by state

<http://golfingnear.com>

Email search by domain

<http://emailbydomain.com>

Auto manuals search

<http://auto.somanuals.com>

TV manuals search

<http://tv.somanuals.com>