



TRIMMER / EDGER INSTRUCTION MANUAL

Model Number GH710

Thank you for choosing Black & Decker! Go to www.BlackandDecker.com/NewOwner to register your new product.

PLEASE READ BEFORE RETURNING THIS PRODUCT FOR ANY REASON:

If you have a question or experience a problem with your Black & Decker purchase, go to

WWW.BLACKANDDECKER.COM/INSTANTANSWERS
for instant answers 24 hours a day.

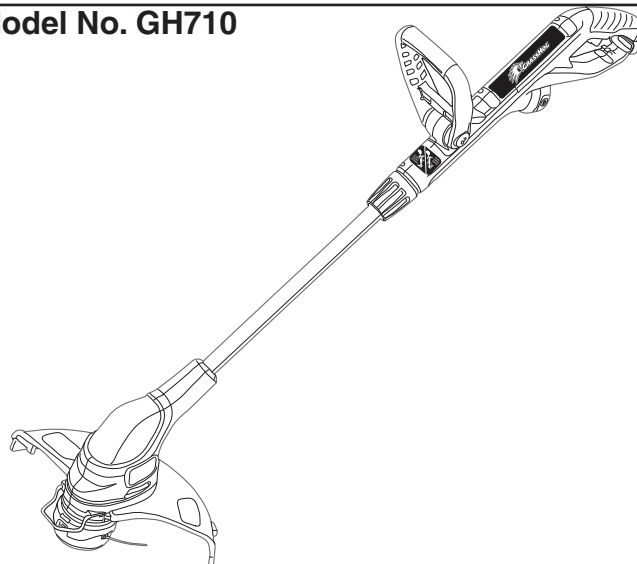
If you can't find the answer or do not have access to the internet, call 1-800-544-6986 from 8 a.m. to 5 p.m. EST Mon. - Fri to speak with an agent.

Please have the catalog number available when you call.

**SAVE THIS MANUAL FOR FUTURE REFERENCE.
VEA EL ESPAÑOL EN LA CONTRAPORTADA.
POUR LE FRANÇAIS, VOIR LA COUVERTURE ARRIÈRE.**

INSTRUCTIVO DE OPERACIÓN, CENTROS DE SERVICIO Y PÓLIZA DE GARANTÍA. ADVERTENCIA: LÉASE ESTE INSTRUCTIVO ANTES DE USAR EL PRODUCTO.

Model No. GH710



KEY INFORMATION YOU SHOULD KNOW:

- The guard must be installed before trimming or edging - if not, the motor will overheat (page 5).
- When replacing the line, use only .065 inch diameter ROUND line (B&D Model No. DF-065 is recommended) - otherwise the tool will not function properly (page 8).
- Do not bump the feed head against the ground - it will disrupt the feed mechanism.
- Always use the cord retention feature (page 7).

TABLE OF CONTENTS

Safety Guidelines - Definitions	2
Important Safety Warnings and Instructions	2
Safety Warnings and Instructions: Polarized Plugs	4
Safety Warnings and Instructions: Extension Cords	4
Components.....	5
Assembly / Adjustment	5
Operating Instructions.....	7
Replacement Accessories	9
Maintenance	10
Troubleshooting	11
Service Information	12
Full Two-Year Home Use Warranty.....	12

SAFETY GUIDELINES - DEFINITIONS

It is important for you to read and understand this manual. The information it contains relates to protecting YOUR SAFETY and PREVENTING PROBLEMS. The symbols below are used to help you recognize this information.

⚠ DANGER: Indicates an imminently hazardous situation which, if not avoided, will result in death or serious injury.

⚠ WARNING: Indicates a potentially hazardous situation which, if not avoided, could result in death or serious injury.

⚠ CAUTION: Indicates a potentially hazardous situation which, if not avoided, may result in minor or moderate injury.

NOTICE: Used without the safety alert symbol indicates a potentially hazardous situation which, if not avoided, may result in property damage.

⚠ IMPORTANT SAFETY WARNINGS AND INSTRUCTIONS

⚠ WARNING: When using electric gardening appliances, basic safety precautions should always be followed to reduce risk of fire, electric shock, and personal injury, including the following.

Read All Instructions

- **ALWAYS WEAR EYE PROTECTION** – Wear safety spectacles or goggles at all times when this tool is plugged in.
- **GUARD** – Do not use this tool without guard attached.
- **DRESS PROPERLY** – Do not wear loose clothing or jewelry. They can be caught in moving parts. Rubber gloves and substantial rubber soled footwear are recommended when working outdoors. Don't operate the tool when barefoot or wearing open sandals. Wear **heavy long pants** to protect your legs. Wear protective hair covering to contain long hair.
- **NYLON LINE** – Keep face, hands and feet clear of rotating nylon line at all times.
- **THE ROTATING LINE PERFORMS A CUTTING FUNCTION** – Use care when trimming around screens and desirable plantings.
- **KEEP ALL BYSTANDERS AWAY** – at a safe distance from work area, especially children.
- **IMPORTANT WARNING** – When being used as an Edger, stones, pieces of metal and other objects can be thrown out at high speed by the line. The tool and guard are designed to reduce the danger. However, the following special precautions should be taken:
 - **MAKE SURE** that other persons and pets are at least 100 feet (30m) away.
 - **TO REDUCE THE RISK** of rebound (ricochet) injury, work going away from any nearby solid object such as wall, steps, large stone, tree, etc. Use great care when working close to solid objects and where necessary, do edging or trimming by hand.

- **AVOID ACCIDENTALLY STARTING** – Don't carry plugged-in tool with finger on trigger.
- **DO NOT FORCE THE TOOL** – at a rate faster than the rate at which it is able to cut effectively.
- **USE THE RIGHT TOOL** – Do not use this tool for any job except that for which it is intended.
- **DON'T OVERREACH** – Keep proper footing and balance at all times.
- **DON'T ABUSE CORD** – Don't yank cord from power supply. Keep cord from heat, oil, and sharp edges.
- **DAMAGE TO UNIT** – If you strike or become entangled with a foreign object, stop tool immediately, unplug, check for damage and have any damage repaired before further operation is attempted. Do not operate with a broken hub or spool.
- **DAMAGE TO CORD** – Keep power cord away from rotating line. If you damage the cord, unplug it from the power supply before moving the tool or examining the damage. A damaged cord must be replaced before further use.
- **DISCONNECT TOOL** – when not in use, when replacing line, or prior to cleaning.
- **AVOID DANGEROUS ENVIRONMENTAL CONDITIONS** – Do not use electric tools in damp or wet locations. Follow all instructions in this Instruction Manual for proper operation of your tool. Don't use the tool in the rain.
- **DO NOT OPERATE** portable electric tools in gaseous or explosive atmospheres. Motors in these tools normally spark, and the sparks might ignite fumes.
- **STORE IDLE TOOLS INDOORS** – When not in use, tools should be stored indoors in a dry, locked-up place out of reach of children.
- **GROUND FAULT CIRCUIT INTERRUPTER (GFCI)** protection should be provided on the circuits or outlets to be used for the gardening appliance. Receptacles are available having built in GFCI protection and may be used for this measure of protection.
- **SECURE EXTENSION CORD** using the cord retainer shown in **Figure H**.
- **STAY ALERT** – Do not operate this unit when you are tired, ill, or under the influence of alcohol, drugs, or medication

- **MAINTAIN APPLIANCES WITH CARE** – Follow instructions in maintenance section. Inspect extension cords periodically and replace if damaged. Keep handles dry, clean and free from oil and grease.
- **CHECK DAMAGED PARTS** – Before further use of the appliance, a guard or other part that is damaged should be carefully checked to determine that it will operate properly and perform its intended function. Check for alignment of moving parts, binding of moving parts, breakage of parts, mounting, and any other condition that may affect its operation. A guard or other part that is damaged should be properly repaired or replaced by an authorized service center unless otherwise indicated elsewhere in this manual.

⚠ **WARNING:** Do not use tool if the switch trigger does not turn the tool on or off. Any tool that can not be controlled with the switch trigger is dangerous and must be repaired.

⚠ **WARNING:** When servicing double insulated tools, USE ONLY IDENTICAL REPLACEMENT PARTS. Replace or repair damaged cords.

⚠ **WARNING:** To prevent electrical shock hazard, use only with an extension cord suitable for outdoor use. Always connect extension cords to a fused line or one protected by a circuit breaker.

- DO NOT immerse tool in water or squirt it with a hose. DO NOT allow any liquid to get inside it.
- DO NOT store the tool on or adjacent to fertilizers or chemicals.
- DO NOT clean with a pressure washer.

SAVE THESE INSTRUCTIONS

The label on your tool may include the following symbols. The symbols and their definitions are as follows:

- | | | | |
|-----------|-----------------------|----------------------|--|
| V | volts | A | amperes |
| Hz | hertz | W..... | watts |
| min | minutes | ~ | alternating current |
| ==== | direct current | n ₀ | no load speed |
| ☐ | Class II Construction | ⊕ | earthing terminal |
| ⚠ | safety alert symbol | .../min | revolutions or reciprocations per minute |

⚠WARNING: Some dust created by this product contains chemicals known to the State of California to cause cancer, birth defects or other reproductive harm. Some examples of these chemicals are:

- compounds in fertilizers
- compounds in insecticides, herbicides and pesticides
- arsenic and chromium from chemically treated lumber

To reduce your exposure to these chemicals, wear approved safety equipment such as dust masks that are specially designed to filter out microscopic particles.

⚠ SAFETY WARNINGS AND INSTRUCTIONS: POLARIZED PLUGS

To reduce the risk of electric shock, this equipment has a polarized plug (one blade is wider than the other) and will require the use of a polarized extension cord. The appliance plug will fit into a polarized extension cord only one way. If the plug does not fit fully into the extension cord, reverse the plug. If the plug still does not fit, obtain a correct polarized extension cord. A polarized extension cord will require the use of a polarized wall outlet. This plug will fit into the polarized wall outlet only one way. If the plug does not fit fully into the wall outlet, reverse the plug. If the plug still does not fit, contact a qualified electrician to install the proper wall outlet. Do not change

the equipment plug, extension cord receptacle, or extension cord plug in any way.

⚠ SAFETY WARNINGS AND INSTRUCTIONS: EXTENSION CORDS

Make sure your extension cord is in good condition. When using an extension cord, be sure to use one heavy enough to carry the current your product will draw. An undersized cord will cause a drop in line voltage resulting in loss of power and overheating. The table shows the correct size to use depending on cord length and nameplate ampere rating. If in doubt, use the next heavier gauge. The smaller the gauge number, the heavier the cord. If the extension will be used outside, the cord must be suitable for outdoor work. The letters “WA” on the cord jacket indicate that the cord is suitable for outdoor use.

Volts	Minimum Gauge for Cord Sets				
	Total Length of Cord in Feet				
120V	0-25	26-50	51-100	101-150	
	(0-7,6m)	(7,6-15,2m)	(15,2-30,4m)	(30,4-45,7m)	
240V	0-50	51-100	101-200	201-300	
	(0-15,2m)	(15,2-30,4m)	(30,4-60,9m)	(60,9-91,4m)	
Ampere Rating					
More Than	Not more Than	American Wire Gauge			
0	- 6	18	16	16	14
6	- 10	18	16	14	
10	- 12	16	16	14	
12	- 16	14	12	Not Recommended	

COMPONENTS

Figure A

1. Switch

2. Cord Retainer

3. Cord Receptacle

4. Auxillary Handle

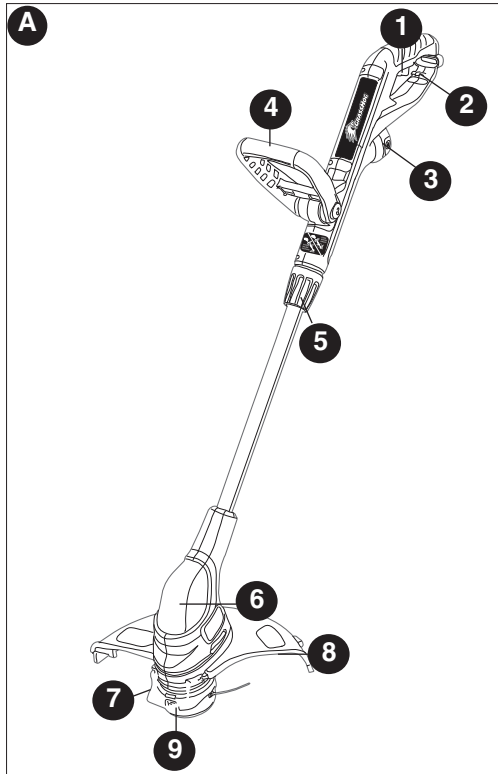
5. Collar (to adjust height and edge)

6. Motor Housing

7. Edge Guide

8. Guard

9. Spool



ASSEMBLY AND ADJUSTMENT

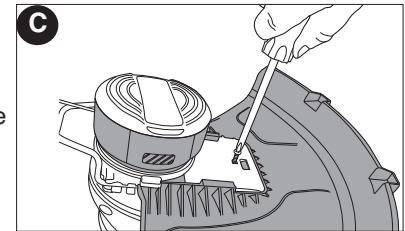
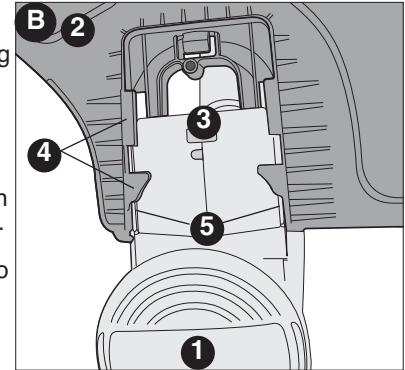
ASSEMBLY TOOLS REQUIRED (NOT SUPPLIED):

- Phillips Screwdriver

INSTALLING THE GUARD

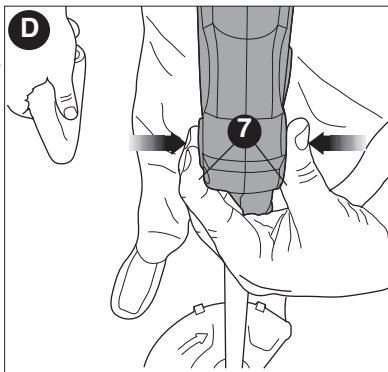
⚠ WARNING: UNPLUG THE TOOL BEFORE ATTEMPTING TO ATTACH THE GUARD, EDGE GUIDE OR HANDLE. NEVER OPERATE TOOL WITHOUT GUARD FIRMLY IN PLACE. THE GUARD MUST ALWAYS BE ON THE TOOL TO PROTECT THE USER.

- Turn the trimmer upside down so that you are looking down at the spool cap (1).
- Turn the guard (2) upside down and slide it onto the motor housing (3). Make sure the tabs (4) on the guard engage the ribs (5) on the motor housing as shown.
- Continue to slide the guard on until you hear it “snap” into place.
- Using a phillips screwdriver, remove the screw from the guard.
- Insert the guard screw as shown in **figure C** to complete the guard assembly.
- Once the guard is installed, remove the covering from the line cut-off blade, located on the edge of the guard.

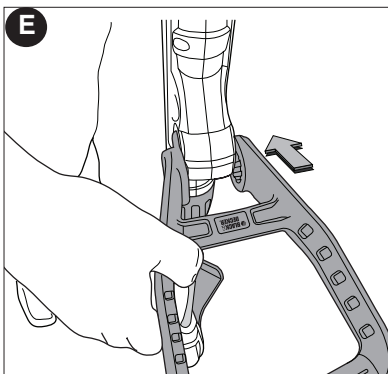


ATTACHING THE AUXILIARY HANDLE

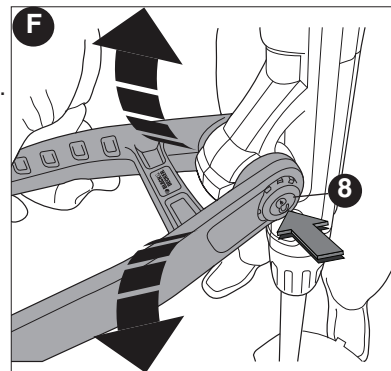
- To attach the handle, press in on the buttons (7) on both sides of the upper housing as shown in **figure D**.



- Position the handle as shown in **figure E** (with the Black & Decker logo facing upward). Partially push the handle on so that it will hold the buttons in when you release them with your hand.

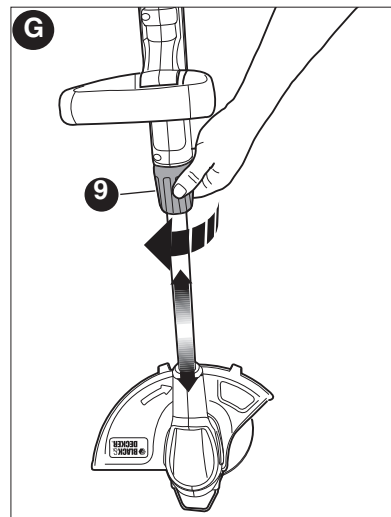


- Push the handle completely onto the housing and position it slightly until it “snaps” into place (**figure F**).
- To adjust the handle up or down, press in on the button (8) and raise or lower the handle.
- The handle should be adjusted so that your front arm is straight when the trimmer is in the working position.



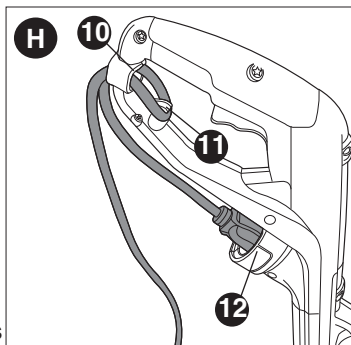
HEIGHT ADJUSTMENT

- The overall height of the trimmer can be adjusted by loosening the collar (9) and rotating it in the direction of the arrow shown in **figure G**.
- Move the upper housing straight up or down. When the desired height is achieved, tighten the collar by rotating it opposite of the direction shown in **figure G**.



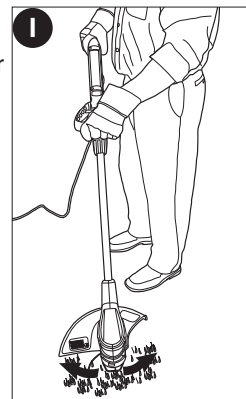
ATTACHING EXTENSION CORD

• An extension cord retainer (**figure H**) is built into the switch handle that prevents the cord from coming unplugged. To use this feature, simply double the extension cord about 8 inches (203mm) from the end, and insert it into the slot (10) in the end of the handle area. Hook the loop formed by doubling the cord over the tab (11). Gently tug on the cord to insure that it is firmly retained in the trimmer's handle. Plug the receptacle end of the extension cord into the plug blades (12) in the trimmer.



SWITCHING ON AND OFF

- To switch the tool on, squeeze the trigger lever.
- To switch the tool off, release the trigger lever.
- With the unit on, angle unit and slowly swing the trimmer side to side as shown in **figure I**.



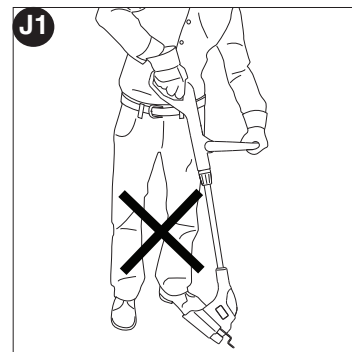
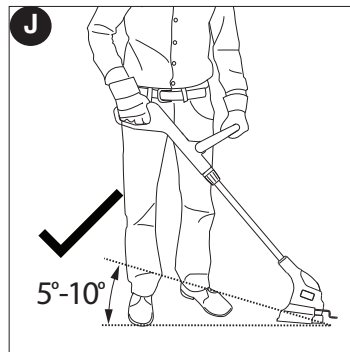
OPERATING INSTRUCTIONS

WARNING: Always use proper eye protection that conforms to ANSI Z87.1 (CAN/CSA Z94.3) while operating this power tool.

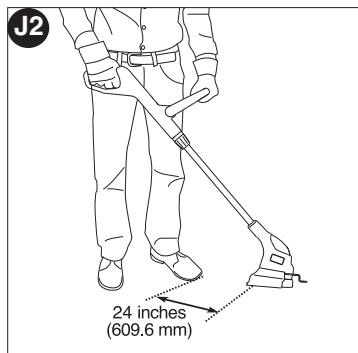
CAUTION: Inspect area to be trimmed and remove any wire, cord, or string-like objects which could become entangled in the rotating line or spool. Be particularly careful to avoid any wire which might be bent outwardly into the path of the tool, such as barbs at the base of a chain link fence.

OPERATING THE TRIMMER

- Maintain a cutting angle of 5° to 10° as shown in **figure J**. Do not exceed 10° (**figure J1**). Cut with the tip of the line. To keep distance from hard surfaces use edge guide (7). Pull the guide out until it snaps securely into place.

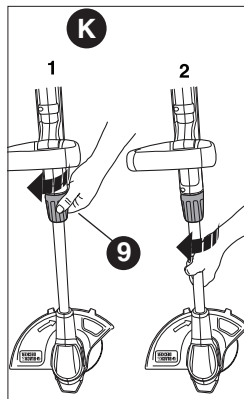


- Maintain a minimum distance of **24 inches (609.6 mm)** between the guard and your feet as shown in **figure J2**. To achieve this distance adjust the overall height of the trimmer as shown in **figure G**.



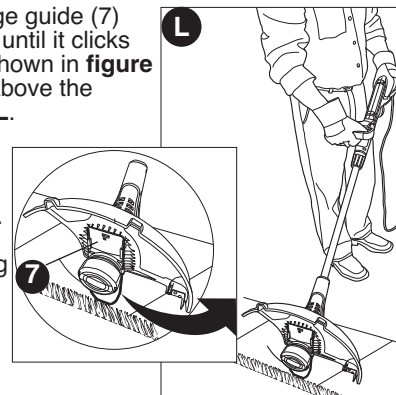
CONVERT TO EDGING MODE

- To operate as a maintenance edger, turn the collar (9) as shown in part 1 of **figure K**.
- Hold the metal shaft and rotate the lower housing 180° as shown in part 2.
- Turn the collar (9) until tight.



- If desired, pull the wire edge guide (7) out from the motor housing until it clicks into the locked position as shown in **figure L** and position the trimmer above the surface as shown in **figure L**.

- Return to the trimming position by loosening the lock collar (9) and rotating the lower housing back 180°. The tool will lock in the trimmer position. When using the tool, retract the wire edge guide to the original position, out of the way.



HELPFUL CUTTING TIPS

- Use the tip of the string to do the cutting; do not force string head into uncut grass. Use edge guide along such things as fences, houses and flower beds for best practices.
- Wire and picket fences cause extra string wear, even breakage.
- Stone and brick walls, curbs, and wood may wear string rapidly.
- Do not allow spool cap to drag on ground or other surfaces.
- In long growth cut from the top down and do not lift trimmer head more than **12 inches (304.8 mm)** from the ground.
- Keep trimmer tilted toward the area being cut; this is the best cutting area.
- The trimmer cuts when passing the unit from the right to left. This will avoid throwing debris at the operator.
- Avoid trees and shrubs. Tree bark, wood moldings, siding, and fence posts can easily be damaged by the string.

CUTTING LINE / LINE FEEDING

Your trimmer uses **.065 inch (1.65 mm) diameter, ROUND nylon line**. During use, the tips of the nylon lines will become frayed and worn and the special self feeding spool will automatically feed and trim a fresh length of line. Cutting line will wear faster and require more feeding if the cutting or edging is done along sidewalks or other abrasive surfaces or heavier weeds are being cut. The advanced automatic line feeding mechanism senses when more cutting line is needed and feeds and trims the correct length of line whenever it's required. **DO NOT BUMP** unit on ground in attempt to feed line or for any other purposes.

REPLACEMENT ACCESSORIES

Use Black & Decker replacement spool Model No. DF-065.

- USE ONLY .065 inch (1.65 mm) DIAMETER ROUND NYLON LINE. Do not use heavier gauge line as it will overload the motor and cause overheating. Do not use lighter gauge or serrated .065 inch (1.65 mm) line as it will cause overfeeding.
- Other replacement parts (guards, spool caps, etc.) are available through Black & Decker service centers. To find your local service location call: **1-800-544-6986** or visit **www.blackanddecker.com**.

WARNING: The use of any accessory not recommended by Black & Decker for use with this tool could be hazardous.

REPLACING THE SPOOL (FIGURES M & N)

- Unplug the tool.
- Depress the tabs (a) and remove the spool cap (b) from the spool housing (c) in the trimmer head (**figure M**).
- Replace spool with Black & Decker model # DF-065.
- Grasp empty spool (d) with one hand and spool housing with

other hand and pull spool out. If lever (e)

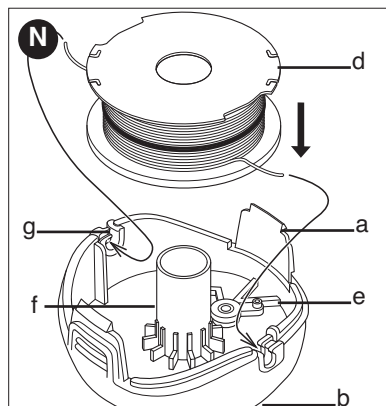
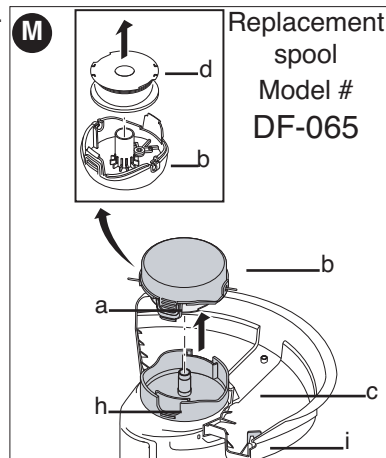
(**figure N**) in base of housing becomes dislodged, replace in correct position before inserting new spool into housing.

- Remove any dirt and grass from the spool and housing.
- Take the new spool and push it onto the boss (f) (**figure N**) in the housing. Rotate the spool slightly until it is seated.

• Unfasten the end of one of the cutting lines and guide the line into one of the eyelets (g). **figure N**. The line should protrude approximately 5-3/8 inches (136mm) from the housing.

- Unfasten the end of the other cutting line and guide the line into the other eyelet. The line should protrude approximately 5-3/8 inches (136mm) from the housing.
- Align the tabs on the spool cap (a) with the slots (h) in the housing (**figure M**).
- Push the cap onto the housing until it snaps securely into place.

NOTICE: To avoid tool damage, if the cutting lines protrude beyond the trimming blade (i), cut them off so that they



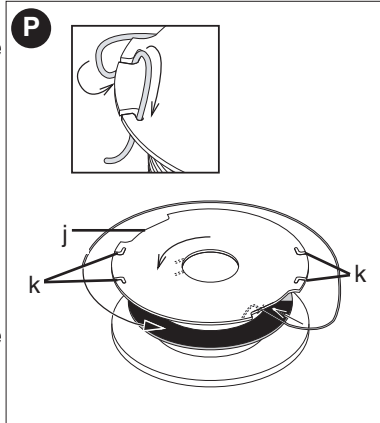
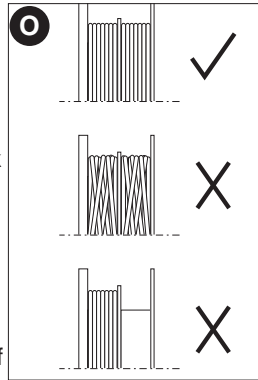
just reach the blade (**figure M**).

REWINDING SPOOL IF LINE UNRAVELS (USE ONLY .065 IN. ROUND DIAMETER LINE) (FIGURES O & P)

NOTE: Hand wound spools are likely to become tangled more frequently than Black & Decker factory wound spools. For best results, factory wound spools are recommended.

To rewind spools, follow the steps below:

- Unplug the tool.
- Remove the empty spool from the tool as described in **"REPLACING THE SPOOL"**.
- First wind new line onto the uppermost part of the spool.
- Feed 3/4 inch (19mm) of cutting line into one of the line anchoring slots.
- Wind the cutting line onto the spool in the direction of the arrow on the spool. Make sure to wind the line on **neatly and in layers**. Do not **crisscross** (**figure O**).
- When the wound cutting line reaches the recesses (j), cut the line. (**figure P**).
- Temporarily park the line in the holding slots (k) on one side of the spool as shown in the inset in **figure P**.
- Repeat the above procedure for the second cutting line on the lower section of the spool.
- Fit the spool onto the tool as described in **"REPLACING THE SPOOL"**.



CAUTION: Before you begin trimming, only use the appropriate type of cutting line. Ensure that cutting line is present in both sections of the spool (**figure M**).

MAINTENANCE

WARNING: To avoid serious injury, switch off and unplug the tool before performing any maintenance.

1. Keep the air intake slots clean to avoid overheating.
 2. Your trimmer line can dry out over time. To keep your line in top condition, store spare pre-wound spools or bulk line in a plastic, sealable bag with a tablespoon of water.
 3. Plastic parts may be cleaned by using a mild soap and a damp rag.
 4. The line cutter on the edge of the guard can dull over time. It is recommended you periodically touch-up the sharpness of the blade with a file.
- IMPORTANT:** To assure product SAFETY and RELIABILITY, repairs, maintenance and adjustment should be performed by authorized service centers or other qualified service organizations, always using identical replacement parts.

TROUBLE SHOOTING GUIDE

PROBLEM

Tool runs slowly.

SOLUTION

- Check that the spool housing can rotate freely. Carefully clean it if necessary.
- Check that the cutting line does not protrude more than approximately 5-3/8 inches (136mm) from the spool. If it does, cut it off so that it just reaches the line trimming blade.
- If the tool still runs slowly, stop using the tool and take it to a service center.

Automatic line feed does not feed more line.

- More line is fed when the line shortens to approximately 3 inches (76.2mm). To determine if the line is not feeding, let line wear past this point.
- Keep the tabs depressed and remove the spool from the spool housing in the trimmer head.
- Ensure that the line is not crisscrossed on the spool as detailed in **figure O**. If it is, unwind the cutting line, then wind it back on the spool neatly so that the lines do not cross.
- Inspect tracks at the bottom of spool for damage. If damaged, replace spool.
- Read the code on the back of spool. If it reads "PA66" call customer service for a replacement. If it reads "ABS" this is not the issue.

PROBLEM

Automatic line feed does not feed more line.

SOLUTION

- Pull the cutting line until it protrudes approximately 5-3/8 inches (136mm) from the spool. If insufficient cutting line is left on the spool, install a new spool of cutting line.
- Align the tabs on the spool cap with the cut outs in the housing.
- Push the spool cap onto the housing until it snaps securely into place.
- If the cutting line protrudes beyond the trimming blade, cut it off so that it just reaches the blade. If the automatic line feed still does not work or the spool is jammed, try the following suggestions:
 - Carefully clean the spool and housing.
 - Remove the spool and check if the lever in the spool housing can move freely.
 - Remove the spool and unwind the cutting line, then wind it on neatly again. Replace the spool into the housing.

Overfeeding

- Ensure you are cutting with the tip of the line (5.25 inches (133.4mm) from the spool). Use the edge guide if needed to ensure proper space is maintained.
- Ensure you are not exceeding a 10° angle as shown in **figure J1**.

PROBLEM

Line unravels when cap or spool is removed.

SOLUTION

• Be sure to keep spool fully seated in cap until lines are parked in holding slots (K) **figure P** before removing.

SERVICE INFORMATION

All Black & Decker Service Centers are staffed with trained personnel to provide customers with efficient and reliable power tool service. Whether you need technical advice, repair, or genuine factory replacement parts, contact the Black & Decker location nearest you. To find your local service location, refer to the yellow page directory under "Tools—Electric" or call: **1-800-544-6986** or visit **www.blackanddecker.com**

FULL TWO-YEAR HOME USE WARRANTY

Black & Decker (U.S.) Inc. warrants this product for two years against any defects in material or workmanship. The defective product will be replaced or repaired at no charge in either of two ways.

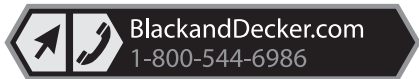
The first is to return the product to the retailer from whom it was purchased (provided that the store is a participating retailer). Returns should be made within the time period of the retailer's policy for exchanges (usually 30 to 90 days after the sale). Proof of purchase may be required. Please check with the retailer for their specific return policy regarding returns that are beyond the time set for exchanges.

The second option is to take or send the product (prepaid) to a Black & Decker owned or authorized Service Center for repair or replacement at our option. Proof of purchase may be required. Black & Decker owned and authorized Service Centers are listed under "Tools-Electric" in the yellow pages of the phone directory.

This warranty does not apply to accessories. This warranty gives you specific legal rights and you may have other rights which vary from state to state or province to province. Should you have any questions, contact the manager of your nearest Black & Decker Service Center. This product is not intended for commercial use.

FREE WARNING LABEL REPLACEMENT: If your warning labels become illegible or are missing, call **1-800-544-6986** for a free replacement.

LATIN AMERICA: This warranty does not apply to products sold in Latin America. For products sold in Latin America, check country specific warranty information contained in the packaging, call the local company or see the website for warranty information.



Imported by
Black & Decker (U.S.) Inc.,
701 E. Joppa Rd.
Towson, MD 21286 U.S.A.

**See 'Tools-Electric'
– Yellow Pages –
for Service & Sales**



BLACK&DECKER®

TAILLE-BORDURE / COUPE- BORDURE MODE D'EMPLOI

Numéro de modèle GH710

**Merci d'avoir choisi Black & Decker!
Consulter le site Web
www.BlackandDecker.com/NewOwner
pour enregistrer votre nouveau produit.**

A LIRE AVANT DE RETOURNER CE PRODUIT POUR QUELQUE RAISON QUE CE SOIT :

Si des questions ou des problèmes surgissent après l'achat d'un produit
Black & Decker, consulter le site Web

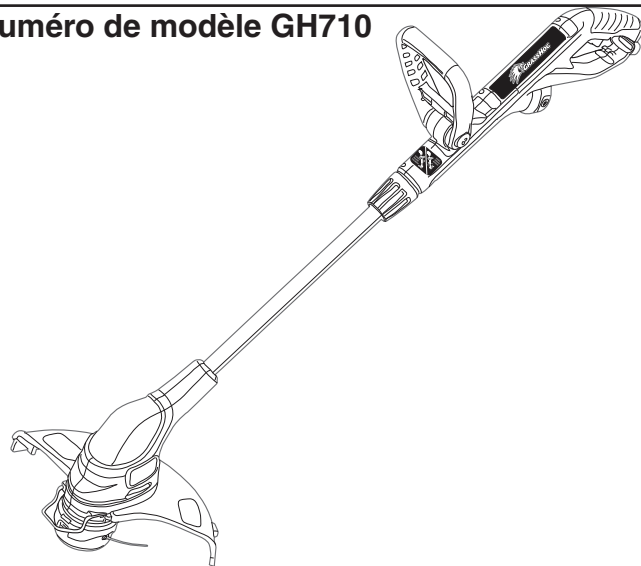
[HTTP://WWW.BLACKANDDECKER.COM/INSTANTANSWERS](http://WWW.BLACKANDDECKER.COM/INSTANTANSWERS)
pour obtenir des réponses instantanément 24 heures par jour.

Si la réponse est introuvable ou en l'absence d'accès à l'Internet,
composer le 1-800-544-6986 de 8 h à 17 h HNE, du lundi au vendredi,
pour parler avec un agent.

Prière d'avoir le numéro de catalogue sous la main lors de l'appel.

CONSERVER CE MANUEL POUR UN USAGE ULTERIEUR.

Numéro de modèle GH710



VOICI DES RENSEIGNEMENTS IMPORTANTS QU'IL VOUS FAUT CONNAÎTRE :

- Le pare-main doit être installé avant de débiter le taillage ou la coupe sinon le moteur surchauffera (page 17).
- Utiliser seulement un fil ROND de 1,7 mm (0,065 po) de diamètre lors du remplacement (modèle DF-065 de B&D recommandé), sinon l'appareil ne fonctionnera pas correctement (page 20).
- Éviter de frapper la tête d'alimentation contre le sol. En effet, cela endommagera le mécanisme d'alimentation.
- Toujours utiliser le dispositif de retenue du cordon (page 18).

TABLE DES MATIÈRES

Directives de sécurité - définitions	15
Avertissements de sécurité et directives de première importance	15
Avertissements de sécurité et directives : Fiches polarisées.....	17
Avertissements de sécurité et directives : Rallonges.....	17
Composants	18
Assemblage et réglage	19
Notice d'utilisation	21
Accessoires de rechange.....	22
Entretien.....	23
Dépannage	24
Information sur les réparations	25
Garantie complète de deux ans pour une utilisation domestique	25

LIGNES DIRECTRICES EN MATIÈRE DE SÉCURITÉ - DÉFINITIONS

Il est important que vous lisiez et compreniez ce mode d'emploi. Les informations qu'il contient concernent VOTRE SÉCURITÉ et visent à ÉVITER TOUT PROBLÈME. Les symboles ci-dessous servent à vous aider à reconnaître cette information.

DANGER : Indique une situation dangereuse imminente qui, si elle n'est pas évitée, causera la mort ou des graves blessures.

AVERTISSEMENT : Indique une situation potentiellement dangereuse qui, si elle n'est pas évitée, pourrait causer la mort ou de graves blessures.

MISE EN GARDE : Indique une situation potentiellement dangereuse qui, si elle n'est pas évitée, pourrait causer des blessures mineures ou modérées.

AVIS : Utilisé sans le symbole d'alerte à la sécurité, indique une situation potentiellement dangereuse qui, si elle n'est pas évitée, peut résulter en des dommages à la propriété.

⚠ AVERTISSEMENTS DE SÉCURITÉ ET DIRECTIVES DE PREMIÈRE IMPORTANCE

AVERTISSEMENT : Lorsque des outils de jardinage électriques sont utilisés, des précautions de base en matière de sécurité doivent toujours être suivies afin de réduire le risque d'incendie, de choc électrique et de blessure corporelle, notamment les suivantes.

Lire toutes les directives

- **TOUJOURS PORTER UNE PROTECTION OCULAIRE** - Porter des lunettes ou des lunettes protectrices en tout temps lorsque cet outil est branché.
- **DISPOSITIF DE PROTECTION** – Ne pas utiliser cet outil sans les dispositifs de protection en place.
- **S'HABILLER DE MANIÈRE APPROPRIÉE** - Ne pas porter de vêtements amples ni de bijoux. Ils peuvent s'enchevêtrer dans les pièces mobiles. Des gants en caoutchouc et des chaussures adéquates à semelles en caoutchouc sont recommandés lors de travaux à l'extérieur. Ne pas utiliser l'outil avec les pieds nus ou des sandales ouvertes. Porter des pantalons longs et épais pour se protéger les jambes. Se couvrir les cheveux s'ils sont longs.
- **FIL EN NYLON** - Tenir le visage, les mains et pieds loin du fil de nylon rotatif en tout temps.
- **LE FIL EN ROTATION EXÉCUTE UNE COUPE** - Être attentif lors de taillage autour de grillages et de plates-bandes.
- **TENIR ÉLOIGNÉ TOUS LES SPECTATEURS** - À une distance sécuritaire de l'aire de travail, particulièrement les enfants.
- **AVERTISSEMENT IMPORTANT** : lorsque l'outil est utilisé comme coupe bordure, des pierres, morceaux de métal et autres objets peuvent être projetés à haute vitesse par le fil. L'outil et le dispositif de protection sont conçus pour réduire le risque. Toutefois, les précautions spéciales suivantes doivent être prises :

- **S'ASSURER** que toute personne et animaux sont éloignés d'au moins 30 m (100 pi).
- **POUR RÉDUIRE LE RISQUE** de blessures par ricochet, travaillez en vous éloignant de tout objet solide tel un mur, des marches, de grosses pierres, d'arbres, etc. Soyez très prudent lors de travaux près d'objets solides et, le cas échéant, taillez ou coupez manuellement.
- **ÉVITER LES DÉMARRAGES ACCIDENTELS** - Ne pas transporter d'outil branché avec le doigt sur la détente.
- **NE PAS FORCER L'OUTIL** - à tourner à une vitesse plus rapide que celle pour laquelle il est capable de couper efficacement.
- **UTILISER LE BON OUTIL** - Ne pas utiliser cet outil pour tout autre type de travail sauf pour celui pour lequel il est prévu.
- **NE PAS TROP TENDRE LES BRAS** - Conserver son équilibre en tout temps.
- **NE PAS UTILISER LE CORDON DE FAÇON ABUSIVE** - Ne pas tirer sur le cordon d'alimentation pour le débrancher. Tenir le cordon éloigné de la chaleur, de l'huile et des bords tranchants.
- **OUTIL ENDOMMAGÉ** - Si vous frappez ou devenez enchevêtré dans un objet, arrêtez immédiatement l'outil, débranchez-le puis inspectez pour toute trace de dommages qui devront être réparés avant une autre utilisation. Ne pas utiliser avec un moyeu ou une bobine brisés.
- **CORDON D'ALIMENTATION ENDOMMAGÉ** - Tenir éloigné le cordon d'alimentation du fil rotatif. En cas de dommages au cordon d'alimentation, débranchez-le de la prise avant de déplacer l'outil ou d'inspecter le dommage. Un cordon endommagé doit être remplacé avant sa prochaine utilisation.
- **DÉBRANCHER L'OUTIL** – Lorsque inactif, lors de remplacement de fil ou avant un nettoyage.
- **ÉVITER LES CONDITIONS ENVIRONNEMENTALES DANGEREUSES** - Ne pas utiliser d'outils électriques dans des lieux humides ou mouillés. Suivre toutes les directives de ce mode d'emploi pour une utilisation adéquate de votre outil. Ne pas utiliser l'outil sous la pluie.

- **NE PAS UTILISER** d'outils électriques portatifs dans un milieu gazeux ou déflagrant. Les moteurs de ces outils produisent normalement des étincelles qui pourraient enflammer des vapeurs.
- **RANGER LES OUTILS INUTILISÉS À L'INTÉRIEUR** – Lorsqu'ils ne sont pas utilisés, les outils doivent être rangés à l'intérieur, dans un endroit sec et verrouillé, hors de portée des enfants.
- **UN DISJONCTEUR DE FUITE DE TERRE** doit être installé pour protéger les circuits ou prises utilisés pour cet appareil électrique de jardin. Des prises avec fonction de disjoncteur de fuite de terre intégrées sont aussi disponibles et peuvent être utilisées comme mesures de protection.
- **FIXER LE CORDON D'ALIMENTATION** à l'aide du dispositif de retenue de celui-ci tel qu'illustré à la **figure H**.
- **ÊTRE VIGILANT** – Ne pas utiliser l'appareil en cas de fatigue ou de maladie ou sous l'influence d'alcool, de drogues ou de médicaments.
- **PRENDRE SOIN DES OUTILS ÉLECTRIQUES** – Suivre les directives figurant à la section Entretien. Inspecter régulièrement les rallonges électriques et remplacer si endommagées. Maintenir les poignées sèches, propres et exemptes d'huile et de graisse.
- **VÉRIFIER LES PIÈCES ENDOMMAGÉES** – Avant toute utilisation ultérieure de l'appareil électrique, un dispositif de protection endommagé, ou toute autre pièce endommagée, doit être examiné soigneusement afin d'assurer un fonctionnement adéquat selon sa fonction prévue. Vérifier l'alignement des pièces mobiles, la présence de grippage des pièces mobiles, de rupture de pièces, la fixation et tout autre problème pouvant nuire au fonctionnement de l'outil. Un dispositif de protection endommagé, ou toute autre pièce endommagée, doit être réparé ou remplacé adéquatement par un centre de réparation autorisé à moins d'un avis contraire indiqué dans le présent mode d'emploi.
- **AVERTISSEMENT** : Ne pas utiliser l'outil si la détente ne fonctionne pas. Tout outil qui ne peut être réglé par la détente est dangereux et doit être réparé.
- **AVERTISSEMENT** : Pour réparer tout outil à double isolation, **VEUILLEZ UTILISER DES PIÈCES DE RECHANGE IDENTIQUES**. Remplacer ou réparer les cordons endommagés.

AVERTISSEMENT : Pour prévenir un choc électrique ou une électrocution, se servir uniquement d'une rallonge convenant à une utilisation à l'extérieur. Toujours brancher les rallonges à une prise avec fusible ou protégée par un disjoncteur.

- NE PAS immerger l'outil dans l'eau ou l'arroser au boyau.
- ÉVITER la pénétration de tout liquide dans l'outil.
- NE PAS ranger l'outil sur des engrais ou des produits chimiques ou près de ceux-ci.
- NE PAS nettoyer avec un nettoyeur à pression.

CONSERVER CES MESURES.

L'étiquette apposée sur votre outil pourrait comprendre les symboles suivants. Les symboles et leurs définitions sont indiqués ci-après :

V	volts	A	ampères
Hz	hertz	W.....	watts
min	minutes	courant alternatif
====	courant continue	non	régime à vide
.....	Construction classe II	borne de terre
.....	symbole d'alerte à la sécurité	.../min	révolutions ou alternance par minute

AVERTISSEMENT : Certaines poussières produites par cet outil contiennent des produits chimiques reconnus par l'État de la Californie comme pouvant causer le cancer, les anomalies congénitales et d'autres dangers pour la reproduction. Voici quelques exemples de ces produits chimiques :

- composés présents dans les engrais
- composés présents dans les insecticides, herbicides et pesticides
- arsenic et chrome provenant de bois traité chimiquement

Pour réduire votre exposition à ces produits chimiques, porter un équipement de sécurité approuvé comme un masque anti-poussières conçu spécialement pour filtrer les particules microscopiques.

⚠ AVERTISSEMENTS DE SÉCURITÉ ET DIRECTIVES : FICHES POLARISÉES

Pour réduire le risque de chocs électriques, cet équipement comporte une fiche polarisée (une broche est plus large que l'autre) et exigera l'utilisation d'une rallonge polarisée. La fiche de l'outil électrique ne se branchera que d'une seule façon dans une rallonge polarisée. Si la fiche ne s'insère pas totalement dans la rallonge, renversez-la. Si la prise ne s'insère toujours pas, rechercher une rallonge polarisée appropriée. Une rallonge polarisée exigera l'utilisation d'une prise murale polarisée. Cette fiche ne se branchera que d'une seule façon dans une prise murale polarisée. Si la fiche ne s'insère pas totalement dans la prise murale, renversez-la. Si elle ne s'insère toujours pas dans la prise, demandez à un électricien compétent d'installer une prise murale polarisée. Ne modifiez en aucun cas la fiche de l'appareil, la prise ou la fiche de la rallonge.

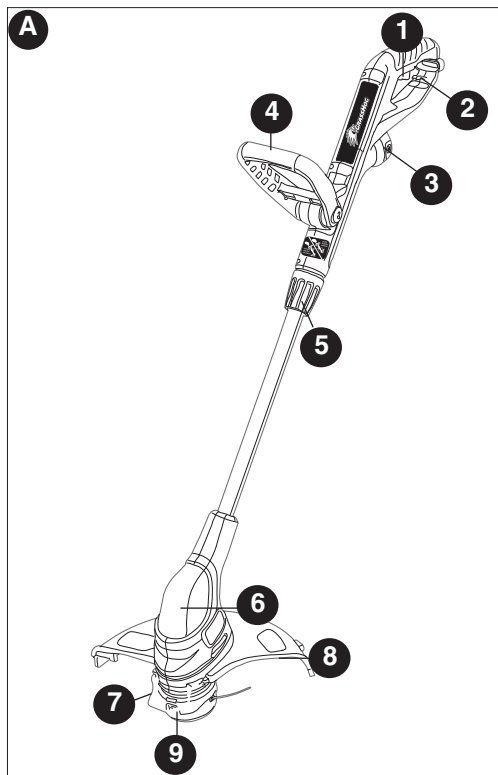
AVERTISSEMENTS DE SÉCURITÉ ET DIRECTIVES : RALLONGES ÉLECTRIQUES

S'assurer que la rallonge est en bon état. Lorsque qu'une rallonge électrique est utilisée, s'assurer d'en utiliser une de calibre suffisamment élevé pour assurer le transport du courant nécessaire au fonctionnement de votre appareil. Un cordon de calibre inférieur causera une chute de tension de ligne et donc une perte de puissance et une surchauffe. Le tableau indique le calibre approprié à utiliser selon la longueur du cordon et l'intensité nominale de la plaque signalétique. En cas de doute, utiliser le calibre suivant le plus gros. Plus le numéro de calibre est petit, plus le cordon est lourd. Si la rallonge est utilisée à l'extérieur, elle doit être prévue à cet effet. Les lettres « WA » marquées sur l'enveloppe du cordon indiquent que le cordon convient à un usage extérieur.

Calibre minimal des cordons de rallonge						
Tension		Longueur totale du cordon en pieds				
120V		0-25 (0-7,6m)	26-50 (7,6-15,2m)	51-100 (15,2-30,4m)	101-150 (30,4-45,7m)	
240V		0-50 (0-15,2m)	51-100 (15,2-30,4m)	101-200 (30,4-60,9m)	201-300 (60,9-91,4m)	
Intensité (A)		Calibre moyen des fils (AWG)				
Au moins	Au plus					
0	6	18	16	16	14	
6	10	18	16	14	12	
10	12	16	16	14	12	
12	16	14	12	Non recommandé		

COMPOSANTS

1. Détente
2. Dispositif de retenue du cordon
3. Logement pour cordon
4. Poignée auxiliaire
5. Collier (pour régler la hauteur et le bord)
6. Boîtier du moteur
7. Guide de coupe
8. Pare-main
9. Bobine



ASSEMBLAGE ET RÉGLAGE

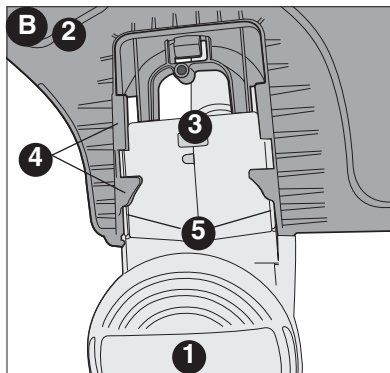
OUTILS REQUIS POUR L'ASSEMBLAGE (NON FOURNIS) :

- Tournevis cruciforme

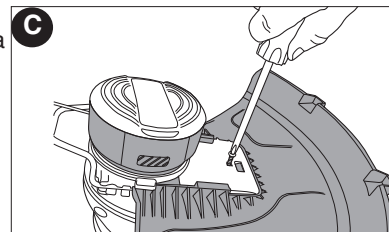
POSE DU PARE-MAIN

AVERTISSEMENT : DEBRANCHER L'OUTIL AVANT D'ESSAYER DE FIXER LE PARE-MAIN, LE GUIDE DE COUPE OU LA POIGNEE. NE JAMAIS UTILISER L'OUTIL SANS LE PARE-MAIN SOLIDEMENT FIXÉ. LE PARE-MAIN DOIT TOUJOURS ÊTRE EN PLACE SUR L'OUTIL POUR PROTÉGER L'OPÉRATEUR.

- Mettre le taille-bordure à l'envers de manière à voir le couvercle de la bobine (1).
- Mettre le pare-main (2) à l'envers et le glisser sur le boîtier du moteur (3).
- S'assurer que les pattes (4) du dispositif de protection engagent les nervures (5) du boîtier du moteur comme dans l'illustration.
- Continuer de glisser le pare-main jusqu'à ce qu'il « s'enclenche » en position.

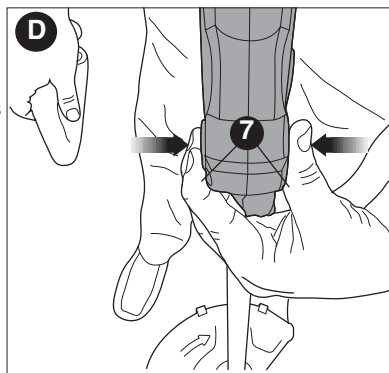


- Utiliser un tournevis cruciforme, retirer la vis de la garde.
- Insérer la vis du pare-main comme l'illustre la **figure 2** pour terminer l'assemblage du pare-main.
- Une fois le pare-main installé, retirer l'enveloppe de la lame, pour la coupe du fil, située sur le bord du pare-main.

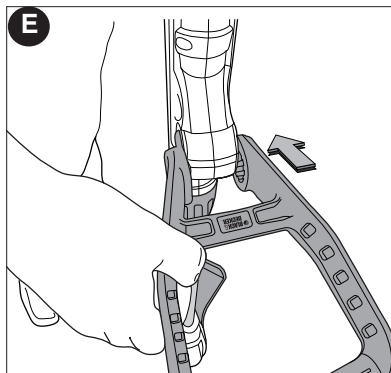


FIXATION DE LA POIGNEE AUXILIAIRE

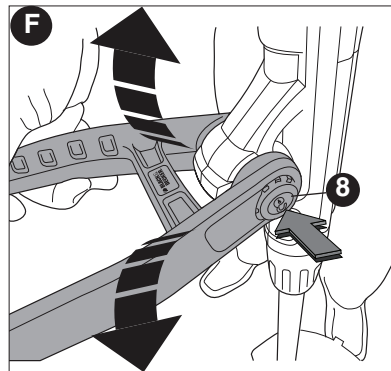
- Pour fixer la poignée, enfoncer les boutons (7) des deux côtés du boîtier supérieur comme le montre la **figure D**.



- Positionner la poignée comme le montre la **figure E** (le logo Black & Decker étant positionné vers le haut). Pousser partiellement la poignée. Ainsi, les boutons seront maintenus enfoncés au moment de les relâcher.

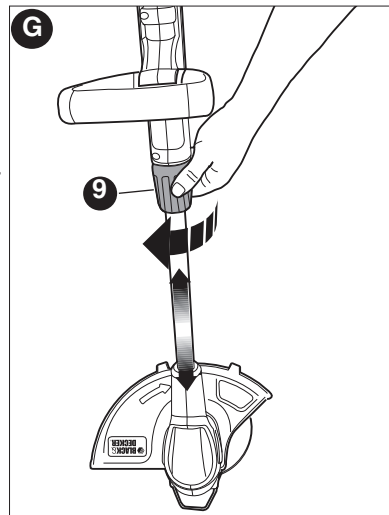


- Pousser la poignée complètement sur le boîtier et la positionner légèrement de manière à ce qu'elle « s'enclenche » en place (**figure F**).
- Pour régler la poignée vers le haut ou le bas, appuyer sur le bouton (8), puis relever ou abaisser la poignée.
- Ajuster la poignée de façon à avoir le bras avant complètement droit lorsque la taille-bordure est en position de fonctionnement.



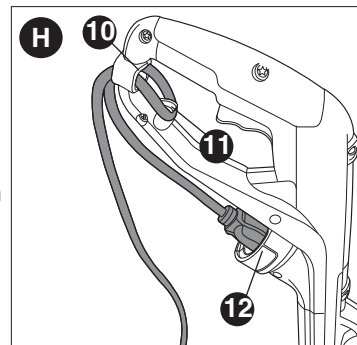
REGLAGE DE LA HAUTEUR

- La hauteur totale du taille-bordure peut être réglée en desserrant le collier (9) et en le tournant dans le sens de la flèche illustrée dans la **figure G**.
- Monter ou baisser le boîtier supérieur en ligne droite. Lorsque la hauteur désirée est atteinte, serrer le collier en le tournant dans le sens opposé à celui illustré à la **figure G**.



FIXATION DE LA RALLONGE

- Un dispositif de retenue de rallonge (**figure H**) est intégré à la poignée de la détente pour empêcher le débranchement de la rallonge. Pour utiliser ce dispositif, replier simplement la rallonge en deux à environ 203 mm (8 po) de l'extrémité, puis l'insérer dans l'encoche (10) logée à l'extrémité de la poignée. Fixer la boucle ainsi formée en repliant la rallonge sur la patte (11). Tirer délicatement sur la rallonge afin de s'assurer que celle-ci est fermement retenue par la poignée du taille-bordure. Brancher la prise femelle de la rallonge sur la fiche (12) du taille-bordure.



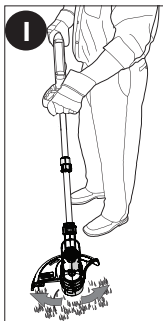
DIRECTIVES D'UTILISATION

AVERTISSEMENT : Toujours utiliser une protection oculaire appropriée conforme à la norme ANSI Z87.1 (CAN/CSA Z94.3) lors de l'utilisation de cet outil électrique.

MISE EN GARDE : Inspecter la zone qui sera taillée et retirer tout morceau de fil métallique, de corde ou d'objets similaires qui pourraient s'enchevêtrer dans le fil rotatif ou avec la bobine. Être spécialement attentif et éviter, sur le parcours de l'outil, tout fil métallique courbé vers l'extérieur comme les fils au pied d'une clôture à mailles losangées.

MISE EN MARCHÉ ET ARRÊT

- Pour mettre l'outil en marche, appuyer sur le levier de déclenchement.
- Pour éteindre l'outil, relâcher le levier de déclenchement.
- Le moteur étant en marche, incliner l'appareil et balancer lentement le taille-bordure d'un côté à l'autre tel que l'indique la **figure I**.

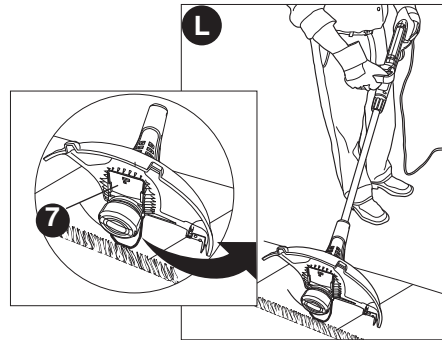
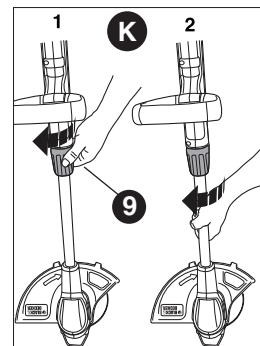
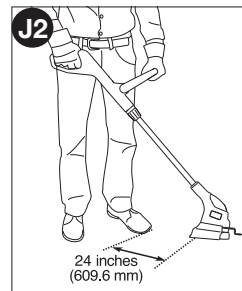
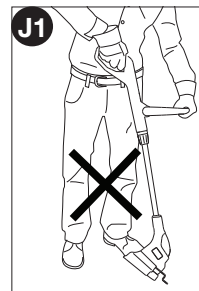
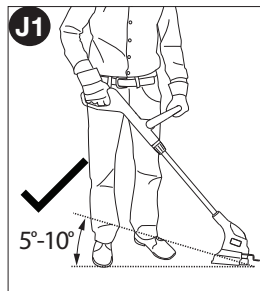


FONCTIONNEMENT DU TAILLE-BORDURES

- Maintenir un angle de coupe entre 5° et 10° comme le montre la figure J1. Ne pas excéder 10° (figure J1). Couper avec le bout du fil. Pour se tenir à distance des surfaces dures, utiliser le guide de coupe (7). Sortir le guide de manière à bien l'enclencher en place.
- Maintenir une distance minimale de 609,6 mm (24 po) entre le dispositif de protection et vos pieds, comme le montre la figure J2. Pour obtenir cette distance, régler la hauteur globale du taille-bordures comme le montre la figure G.

CONVERTIR AU MODE COUPE-BORDURE

- Pour utiliser l'appareil comme coupe-bordure d'entretien, tourner le collier (9) comme l'indique la partie 1 de la **figure K**.
- Tenir la tige de métal et tourner le boîtier inférieur de 180° comme l'illustre la partie 2.
- Tourner le collier (9) jusqu'à ce qu'il soit serré.



- Au besoin, tirer le guide de coupe avec fil métallique (7) du boîtier du moteur de manière à ce qu'il s'enclenche en position verrouillée comme le montre la **figure K**, puis positionner le taille-bordure au-dessus de la surface comme le montre la **figure K**.
- Pour retourner à la position de taille-bordure, desserrer le collier de blocage (9) et tourner le boîtier inférieur de 180°. L'outil se verrouillera en position de taille-bordure. Lors de l'utilisation de l'outil, mettre le guide de coupe avec fil métallique dans sa position d'origine, hors du parcours.

CONSEILS UTILES EN MATIÈRE DE COUPE

- Utiliser le bout du fil pour effectuer la coupe; ne pas forcer la tête du fil dans le gazon non coupé. Utiliser le guide de coupe le long des clôtures, des maisons et des massifs de fleurs pour adopter les pratiques exemplaires.
- Les clôtures en fil de fer et à montants peuvent user davantage le fil, voire le briser. Les murs de pierre et de brique, les bordures de trottoir et le bois peuvent user rapidement le fil.
- Ne pas laisser le capuchon de bobine traîner sur le sol ou d'autres surfaces.
- Si le gazon est long, couper de haut en bas et ne pas excéder une hauteur de 304,8 mm (12 po).
- Maintenir la taille-bordures incliné vers la zone à couper; c'est la meilleure zone de coupe.
- Le taille-bordures coupe par passage de droite à gauche. De cette façon, les débris ne seront pas envoyés vers l'opérateur.
- Éviter les arbres et les arbustes. L'écorce d'arbre, les moulures en bois, le parement et les piquets de clôture peuvent facilement être endommagés par le fil.

FIL TRANCHANT / AVANCE DU FIL

Votre taille-bordure utilise un fil de nylon ROND de 1,7 mm (0,065 po) de diamètre. En cours d'utilisation, les extrémités des fils de nylon s'effiloche et s'useront. La bobine spéciale à avance automatique de fil fournira et coupera automatiquement une nouvelle longueur de fil. Le fil tranchant s'usera plus rapidement et exigera une plus grande quantité de fil si la coupe ou le taillage s'effectue le long de trottoirs ou d'autres surfaces abrasives ou si des broussailles épaisses sont coupées. Le mécanisme évolué d'alimentation automatisée du fil perçoit la demande accrue de fil, fournit et coupe la bonne longueur de fil dès qu'elle est nécessaire. **NE PAS FRAPPER** l'appareil sur le sol pour alimenter l'appareil ou pour toute autre raison.

ACCESSOIRES DE RECHANGE

Utiliser la bobine de rechange modèle DF-065 de Black & Decker.

- UTILISER UNIQUEMENT UN FIL EN NYLON ROND DE 1,7 mm (0,065 po) DE DIAMÈTRE. Ne pas utiliser la ligne plus épais car il va surcharger le

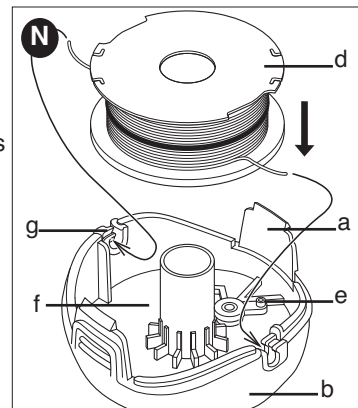
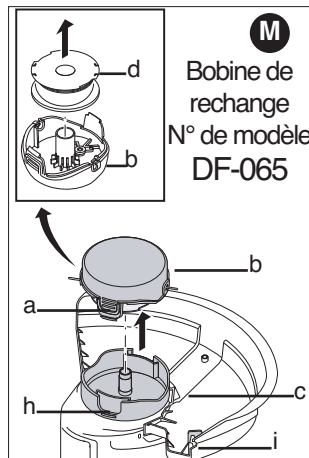
moteur et provoquer une surchauffe. Ne pas utiliser plus léger jauge ou dentelées 0,065 pouce (1,65 mm) en ligne car cela fera une suralimentation.

- D'autres pièces de rechange (pare-mains, couvercles de bobine, etc.) sont offertes aux centres de réparation Black & Decker. Pour trouver le centre de réparation de votre région, composer le : **1-800-544-6986** ou consulter www.blackanddecker.com.

AVERTISSEMENT : L'utilisation de tout accessoire non recommandé par Black & Decker, avec cet outil, pourrait s'avérer dangereuse.

REEMPLACER LA BOBINE (FIGURES M ET N)

- Débrancher l'outil.
- Enfoncer les languettes (a) et retirer le couvercle de la bobine (b) du boîtier de la bobine (c) logé dans la tête du taille-bordure (**figure M**).
- Pour obtenir des résultats optimaux, remplacer la bobine par une bobine de modèle DF-065 de Black & Decker.
- Tenir la bobine vide (d) d'une main et le boîtier de bobine de l'autre, puis sortir la bobine en tirant dessus.
- Si le levier (e) (**figure N**) situé à la base du boîtier se détache, le remettre à la bonne position avant d'insérer la bobine neuve dans le boîtier.
- Retirer l'herbe et les saletés présentes dans la bobine et le boîtier.
- Prendre la bobine neuve et



l'enfoncer sur la saillie (f) (**figure M**) du boîtier. Faire pivoter légèrement la bobine jusqu'à ce qu'elle soit bien installée.

- Détacher l'extrémité de l'un des fils de coupe, puis insérer le fil dans l'un des œillets (g), **figure M**. Le fil doit sortir d'environ 136 mm (5 3/8 po) du boîtier.
- Détacher l'extrémité de l'autre fil de coupe et le faire passer dans l'autre œillet. Le fil doit sortir d'environ 136 mm (5 3/8 po) du boîtier.
- Aligner les languettes, situées sur le couvercle de la bobine (a) sur les encoches (h) du boîtier (**figure M**).
- Enfoncer le couvercle sur le boîtier de manière à ce qu'il s'enclenche bien en place.

AVIS : Si les fils de coupe dépassent la lame du taille-bordure (i), les couper de sorte qu'ils atteignent à peine la lame (figure L) pour éviter d'endommager l'outil.

REBOBINER LA BOBINE SI LE FIL SE DÉROULE (UTILISER UNIQUEMENT UN FIL ROND DE 1,7 MM (0,065 PO) DE DIAMÈTRE) (FIGURES O, P)

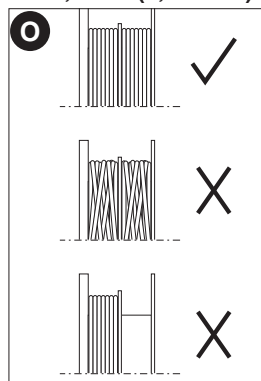
REMARQUE : Le fil en vrac des bobines enroulées à la main est susceptible de s'enchevêtrer plus souvent que le fil des bobines enroulées dans une usine Black & Decker. Il est recommandé d'utiliser des bobines embobinées à l'usine.

Suivre les étapes ci-dessous pour installer du fil en vrac :

- Débrancher l'outil.
- Retirer la bobine vide de l'outil comme le décrit la section

« REMPLACER LA BOBINE »

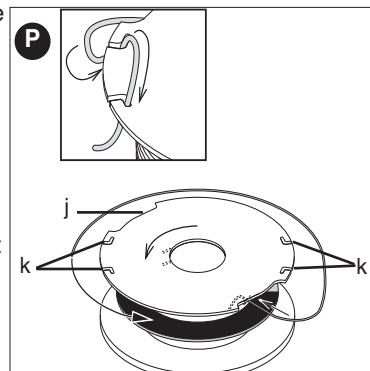
- Enrouler d'abord le fil neuf en commençant par la partie supérieure de la bobine.
- Insérer 19 mm (3/4 po) de fil de coupe dans l'une des encoches d'ancrage.
- Prendre soin d'enrouler le fil de façon nette et ordonnée par couches successives. Ne pas entrecroiser le fil (**figure O**).
- Couper le fil de coupe enroulé lorsqu'il atteint les encoches (j). (**figure P**).
- Placer temporairement le fil dans l'une des encoches de retenue (k) sur



l'un des côtés de la bobine, comme le montre l'encadré de la **figure P**.

- Répéter la procédure précédente pour le second fil de coupe sur la partie inférieure de la bobine.
- Ajuster la bobine sur l'outil comme le décrit la section « **REPLACER LA BOBINE** »

MISE EN GARDE : Avant de procéder au taillage, s'assurer d'utiliser uniquement le type de fil de coupe adéquat. Vérifier que le fil de coupe est présent dans les deux parties de la bobine (**figure N**).



ENTRETIEN

AVERTISSEMENT : Pour éviter des blessures graves, éteindre et débrancher l'outil avant d'effectuer toute opération d'entretien.

1. Maintenir les orifices de ventilation dégagés pour éviter la surchauffe.
2. Votre fil rotatif peut sécher avec le temps. Pour tenir votre fil en excellente condition, entreposer les bobines de rechange de fil pré-enroulé ou le fil en vrac dans un sac en plastique scellé contenant l'équivalent d'une cuillerée d'eau.
3. Les pièces en plastique se nettoient avec un savon doux et un chiffon humide.
4. Le coupe-fil sur le bord du dispositif de protection peut s'émousser avec le temps. Il est recommandé de s'assurer régulièrement que la lame est bien tranchante en utilisant une lime.

IMPORTANT : Pour garantir la SÉCURITÉ et la FIABILITÉ du produit, les réparations, l'entretien et le réglage doivent être réalisés par un centre de réparation autorisé ou tout autre centre de réparation professionnel, et des pièces de rechange identiques doivent être utilisées.

DEPANNAGE

PROBLÈME

L'outil fonctionne lentement.

SOLUTION

Vérifier que le boîtier de la bobine peut tourner librement. Le nettoyer avec précaution si nécessaire.

- S'assurer que le fil de coupe sort d'au plus 136 mm (5 3/8 po) de la bobine. Le cas échéant, le couper afin que sa longueur atteigne juste la lame de coupe pour le fil.
- Si l'outil s'exécute toujours lentement, arrêtez d'utiliser l'outil et le prendre à un centre de service.

La alimentación automática de cuerda no alimenta más cuerda.

- Enlever le capuchon de la bobine.
- Tirer sur le fil de coupe de manière à ce qu'il sorte d'environ 136 mm (5 3/8 po) de la bobine. Si la longueur de fil restant sur la bobine est insuffisante, installer une nouvelle bobine de fil.
- S'assurer que le fil n'est pas entrecroisé sur la bobine comme l'illustre la figure U. Si c'est le cas, dérouler le fil de coupe, puis l'enrouler de nouveau sur la bobine de façon ordonnée, de manière à ne pas entrecroiser les fils.
- Aligner les languettes, logées sur le couvercle de la bobine, sur les fentes pratiquées dans le boîtier.
- Enfoncer la bobine sur le boîtier de manière à ce qu'elle s'enclenche bien en place.
- Inspecter les rainures pratiquées sous la bobine à la recherche de dommages. En cas de dommages, remplacer la bobine.

PROBLÈME

La alimentación automática de cuerda no alimenta más cuerda.

SOLUTION

- Lire le code inscrit à l'endos de la bobine. Si le code est « PA66 », appeler le service à la clientèle pour faire remplacer la bobine. Si le code indiqué est « ABS », ce n'est pas le problème.
- Si le fil de coupe dépasse la lame de coupe, le couper de façon à ce qu'il atteigne seulement la lame. Si l'alimentation automatique de fil ne fonctionne toujours pas ou si la bobine se bloque, procéder comme suit :
- Nettoyer avec précaution la bobine et son boîtier.
- Retirer la bobine, puis vérifier si le levier, situé dans le boîtier de la bobine, peut se déplacer librement.
- Retirer la bobine et dérouler le fil decoupe, puis l'enrouler à nouveau de façon ordonnée. Remettre la bobine dans le boîtier.

Alimentation excédentaire

- S'assurer de couper avec le bout du fil (133,3 mm [5.25 po] de la bobine). Utilisez le guide de coupe si nécessaire pour maintenir la bonne distance.
- S'assurer de ne pas excéder un angle de 10° comme le montre la figure J1.

Le fil se déroule lorsque la bobine ou le capuchon est enlevé.

- S'assurer de fixer les fils dans les encoches de retenue (K) (figure P) avant le retrait.

INFORMATION SUR LES REPARATIONS

Tous les centres de réparation Black & Decker sont dotés de personnel qualifié en matière d'outillage électrique; ils sont donc en mesure d'offrir à leur clientèle un service efficace et fiable. Que ce soit pour un avis technique, une réparation ou des pièces de rechange authentiques installées en usine, communiquer avec l'établissement Black & Decker le plus près de chez vous. Pour trouver l'établissement de réparation de votre région, consulter le répertoire des Pages jaunes à la rubrique « Outils électriques » ou composer le numéro suivant : **1-800-544-6986** ou consulter le site www.blackanddecker.com

GARANTIE COMPLETE DE DEUX ANS POUR UNE UTILISATION DOMESTIQUE

Black & Decker (É.-U.) Inc. garantit ce produit pour une durée de deux ans contre tout défaut de matériau ou de fabrication. Le produit défectueux sera remplacé ou réparé sans frais de l'une des deux façons suivantes :

La première façon consiste en un simple échange chez le détaillant qui l'a vendu (pourvu qu'il s'agisse d'un détaillant participant). Tout retour doit se faire durant la période correspondant à la politique d'échange du détaillant (habituellement, de 30 à 90 jours après l'achat). Une preuve d'achat peut être requise. Vérifier auprès du détaillant pour connaître sa politique concernant les retours hors de la période définie pour les échanges. La deuxième option est d'apporter ou d'envoyer le produit (transport payé d'avance) à un centre de réparation autorisé ou à un centre de réparation de Black & Decker pour faire réparer ou échanger le produit, à notre discrétion. Une preuve d'achat peut être requise. Les centres Black & Decker et les centres de service autorisés sont répertoriés dans les pages jaunes, sous la rubrique « Outils électriques ».

Cette garantie ne s'applique pas aux accessoires. Cette garantie vous accorde des droits légaux spécifiques et vous pourriez avoir d'autres droits qui varient d'un État ou d'une province à l'autre. Pour toute question, communiquer avec le directeur du centre de réparation Black & Decker le plus près de chez vous. Ce produit n'est pas destiné à un usage commercial.

REPLACEMENT GRATUIT DES ETIQUETTES

D'AVERTISSEMENT : si les étiquettes d'avertissement deviennent illisibles ou sont manquantes, composer le **1-800-544-6986** pour en obtenir le remplacement gratuit.

Imported by / Importé par
Black & Decker Canada Inc.
100 Central Ave.
Brockville (Ontario) K6V 5W6

Voir la rubrique "Outils électriques"
des Pages jaunes
pour le service et les ventes.





PODADORA / BORDEADORA MANUAL DE INSTRUCCIONES

Modelo N° GH710

Gracias por elegir Black & Decker!
Visite

www.BlackandDecker.com/NewOwner
para registrar su nuevo producto.

**LEA EL MANUAL ANTES DE DEVOLVER
ESTE PRODUCTO POR CUALQUIER MOTIVO:**

Si tiene una consulta o algún inconveniente con su producto
Black & Decker, visite

[HTTP://WWW.BLACKANDDECKER.COM/INSTANTANSWERS](http://www.BLACKANDDECKER.COM/INSTANTANSWERS)

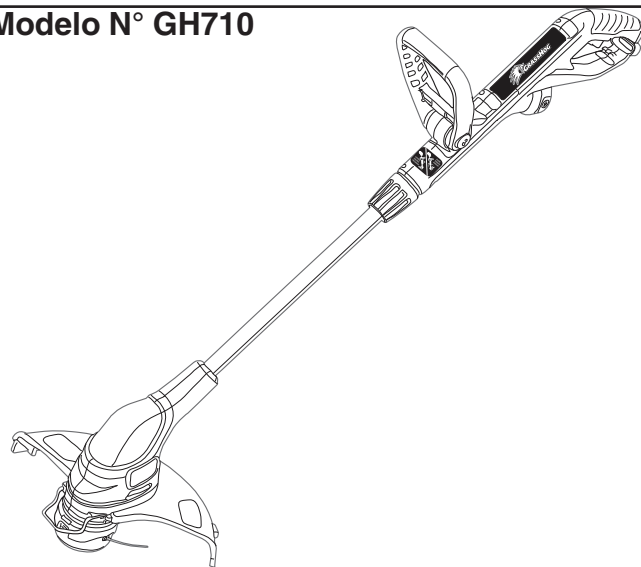
para obtener respuestas instantáneas las 24 horas del día.

Si no encuentra la respuesta o no tiene acceso a Internet, llame al
1-800-544-6986 de lunes a viernes de 8 a. m. a 5 p. m. hora del Este
para hablar con un agente.

Cuando llame, tenga a mano el número de catálogo.

CONSERVE ESTE MANUAL PARA FUTURAS CONSULTAS

Modelo N° GH710



INFORMACION CLAVE QUE DEBE SABER:

- El protector debe instalarse antes de podar o bordear. De lo contrario, el motor se sobrecalentará (página 28).
- Al reemplazar la cuerda, utilice sólo una cuerda REDONDA de 1,7 mm (0,065 pulgada) de diámetro (Se recomienda el modelo N° DF-065 de B&D). De lo contrario, la unidad no funcionará correctamente (página 31).
 - No golpee el cabezal de alimentación contra el piso. Esto interrumpirá el mecanismo de alimentación.
 - Utilice siempre el dispositivo de retención del cable (página 30).

ÍNDICE DE TEMAS

Normas de seguridad - Definiciones	27
Instrucciones y advertencias de seguridad importantes	27
Instrucciones y advertencias de seguridad: Enchufes polarizados..	29
Instrucciones y advertencias de seguridad: Cables prolongadores..	29
Componentes.....	30
Ensamblaje / Ajuste	30
Instrucciones de operación	32
Accesorios de repuesto	33
Mantenimiento	35
Detección de problemas	36
Información de mantenimiento.....	35
Garantía completa de dos años para uso en el hogar	38

PAUTAS DE SEGURIDAD/DEFINICIONES

Es importante que lea y comprenda este manual. La información que contiene se relaciona con la protección de SU SEGURIDAD y la PREVENCIÓN DE PROBLEMAS. Los símbolos que siguen se utilizan para ayudarlo a reconocer esta información.

PELIGRO: indica una situación de peligro inminente que, si no se evita, provocará la muerte o lesiones graves.

ADVERTENCIA: indica una situación de peligro potencial que, si no se evita, provocará la muerte o lesiones graves.

PRECAUCIÓN: indica una situación de peligro potencial que, si no se evita, provocará lesiones leves o moderadas.

AVISO: utilizado sin el símbolo de alerta de seguridad indica una situación de peligro potencial que, si no se evita, puede provocar daños en la propiedad.

⚠ ADVERTENCIAS E INSTRUCCIONES IMPORTANTES SOBRE SEGURIDAD

ADVERTENCIA: Al utilizar herramientas eléctricas para el jardín, siempre se deben tomar ciertas precauciones básicas de seguridad para minimizar el riesgo de incendio, descarga eléctrica y lesiones personales, entre ellas:

Lea todas las instrucciones

- **SIEMPRE UTILICE PROTECCIÓN PARA LOS OJOS:** utilice gafas o anteojos de seguridad en todo momento que esta herramienta esté enchufada.
- **PROTECTOR:** nunca utilice esta herramienta sin el protector.
- **UTILICE LA VESTIMENTA ADECUADA:** no utilice ropa holgada ni joyas. Pueden atascarse en las piezas móviles. Se recomienda utilizar guantes de goma y calzado con una suela de goma considerable al trabajar al aire libre. No opere la herramienta descalzo ni con sandalias abiertas. Utilice pantalones largos para protegerse las piernas. Recójase y cubra el cabello largo.
- **CUERDA DE NYLON:** mantenga la cara, las manos y los pies lejos de la cuerda de nylon giratoria en todo momento.
- **LA CUERDA GIRATORIA REALIZA UNA FUNCIÓN DE CORTE:** tenga precaución al podar alrededor de pantallas y plantas que desea.
- **MANTENGA ALEJADOS A TODOS LOS ESPECTADORES:** a una distancia segura, especialmente a los niños.
- **ADVERTENCIA IMPORTANTE:** al utilizar la herramienta como Bordeadora, las piedras, las piezas de metal y otros objetos pueden ser arrojados a alta velocidad por la acción de la cuerda. La herramienta y el protector están diseñados para reducir el peligro. No obstante, se deben tener en cuenta las siguientes precauciones especiales:
- **ASEGURESE** de que las demás personas y mascotas estén a no menos de 30 m (100 pies) de distancia.
- **PARA REDUCIR EL RIESGO** de lesiones por repercusión (rebote), trabaje lejos de cualquier objeto sólido cercano, como

pared, escalones, piedras grandes, árboles, etc. Tenga suma precaución al trabajar cerca de objetos sólidos y, cuando sea necesario, pade o recorte los bordes en forma manual.

- **EVITE EL ARRANQUE ACCIDENTAL:** nunca transporte la herramienta enchufada con el dedo en el interruptor.
- **NO FUERCE LA HERRAMIENTA:** a una velocidad más rápida de la velocidad para la que fue diseñada para cortar en forma eficaz.
- **UTILICE LA HERRAMIENTA ADECUADA:** no utilice esta herramienta para un trabajo diferente a aquéllos para los que fue diseñada.
- **NO SE ESTIRE:** conserve el equilibrio adecuado y manténgase parado correctamente en todo momento.
- **NO TIRE DEL CABLE:** no jale el cable de la fuente de energía. Mantenga el cable alejado del calor, el aceite y los bordes afilados.
- **DAÑO A LA UNIDAD:** si golpea la herramienta o ésta se atasca con un objeto extraño, deténgala de inmediato, desenchúfela, verifique que no se haya dañado y repare cualquier daño antes de seguir utilizándola. No opere la herramienta si la bobina o el carrete están dañados.
- **DAÑOS DEL CABLE:** mantenga el cable de alimentación lejos de la cuerda giratoria. Si daña el cable, desenchúfelo de la fuente de alimentación antes de mover la herramienta o examinar el cable. Un cable dañado debe reemplazarse antes de utilizarlo.
- **DESCONECTE LA HERRAMIENTA:** cuando no la utilice, al reemplazar la cuerda o antes de limpiarla.
- **EVITE LAS CONDICIONES AMBIENTALES PELIGROSAS:** no utilice herramientas eléctricas en lugares húmedos o mojados. Siga todas las instrucciones incluidas en este Manual de instrucciones para una operación adecuada de la herramienta. No utilice la herramienta bajo la lluvia.
- **NO OPERE** herramientas eléctricas portátiles en atmósferas gaseosas o explosivas. Los motores de estas herramientas normalmente chispean, y las chispas pueden encender los vapores.
- **GUARDE LAS HERRAMIENTAS QUE NO SE UTILICEN EN EL INTERIOR:** cuando no las utilice, las herramientas deben guardarse en un lugar seco, alto o bajo llave, fuera del alcance de los niños.
- La protección del **INTERRUPTOR DE CORTE POR FALLA A TIERRA (GFCI)** debe aplicarse a los circuitos o los

tomacorrientes que se utilizarán en electrodomésticos para jardín. Hay tomacorrientes con protección GFCI incorporada y pueden utilizarse para tomar esta medida de protección.

- **FIJE EL CABLE DE PROLONGACIÓN** utilizando el dispositivo de retención del cable que se muestra en la **Figura H**.
- **MANTÉNGASE ALERTA:** No haga funcionar esta unidad si está cansado, enfermo o bajo la influencia del alcohol, drogas o medicamentos.
- **CONSERVE LAS HERRAMIENTAS ADECUADAMENTE:** siga las instrucciones en la sección de mantenimiento. Inspeccione los cables prolongadores periódicamente y reemplácelos si están dañados. Mantenga los mangos secos, limpios y libres de aceite y grasas.
- **VERIFIQUE LAS PIEZAS AVERIADAS:** antes de volver a utilizar la herramienta, se debe controlar cualquier protección u otra pieza que esté averiada para determinar si funcionará correctamente y realizará la función para la que fue diseñada. Verifique la alineación y la sujeción de las piezas móviles, la rotura de piezas, el montaje y cualquier otra condición que pueda afectar el funcionamiento. Cualquier protección u otra pieza que esté dañada debe ser reparada correctamente o reemplazada por un centro de mantenimiento autorizado, a menos que este manual indique otra cosa.

ADVERTENCIA: No utilice la herramienta si el gatillo interruptor no enciende o apaga la herramienta. Toda herramienta que no pueda controlarse mediante el gatillo interruptor es peligrosa y debe repararse.

ADVERTENCIA: Al realizar el mantenimiento de las herramientas con doble aislamiento, UTILICE SOLO PIEZAS DE REPUESTO IDÉNTICAS. Repare o reemplace los cables dañados.

ADVERTENCIA: Para evitar el riesgo de descargas eléctricas, sólo utilice con un cable de prolongación adecuado para uso en exteriores. Siempre conecte los cables prolongadores a una línea con fusible o a una protegida por un interruptor de circuitos.

- NO sumerja la herramienta en agua ni la salpique con una manguera. NO permita que ningún líquido entre en ella.
- NO guarde la herramienta sobre o cerca de fertilizantes o productos químicos.
- NO limpie con una lavadora a presión.

CONSERVE ESTAS INSTRUCCIONES

La etiqueta de su herramienta puede incluir los siguientes símbolos. Los símbolos y sus definiciones son los siguientes:

V	voltios	A	amperios
Hz	hertz	W	vatios
==	min ..minutos	corriente alterna
	corriente continua	No	no velocidad sin carga
.....	Construcción de clase II	terminal a tierra
.....	símbolo de alerta de seguridad	.../minrevoluciones o reciprocidad por minuto
		seguridad	

ADVERTENCIA: Parte del polvo generado por este producto contiene sustancias químicas reconocidas por el Estado de California como causantes de cáncer, defectos congénitos u otros problemas reproductivos. Algunos ejemplos de estas sustancias químicas:

- compuestos en los fertilizantes
- compuestos en los insecticidas, herbicidas y pesticidas
- arsénico y cromo de la madera con tratamiento químico

Para reducir su exposición a estas sustancias químicas, utilice el equipo de seguridad aprobado, como máscaras para polvo especialmente diseñadas para filtrar partículas microscópicas.

⚠ INSTRUCCIONES Y ADVERTENCIAS DE SEGURIDAD: ENCHUFES POLARIZADOS

Para disminuir el riesgo de descargas eléctricas, este equipo posee un enchufe polarizado (una pata es más ancha que la otra) y requerirá el uso de un cable prolongador polarizado. El enchufe de la herramienta se ajustará en un cable prolongador polarizado de una sola manera. Si el cable prolongador no se ajusta totalmente en el tomacorriente, invierta el enchufe. Si aún así no se ajusta, obtenga un cable prolongador polarizado adecuado. Un cable

prolongador polarizado requerirá el uso de un tomacorriente de pared polarizado. Este enchufe se ajustará en un tomacorriente de pared polarizado de una sola manera. Si el enchufe no se ajusta totalmente en el tomacorriente de pared, invierta el enchufe. Si aún así no se ajusta bien, recurra a un electricista calificado para que instale un tomacorriente de pared adecuado. No cambie el enchufe del equipo, el tomacorriente del cable prolongador ni el enchufe del cable prolongador de ninguna manera.

⚠ INSTRUCCIONES Y ADVERTENCIAS DE SEGURIDAD: CABLES PROLONGADORES

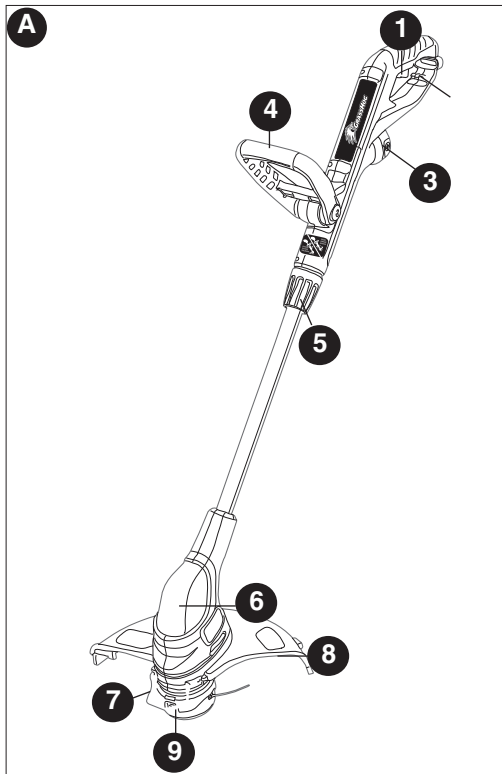
Asegúrese de que el cable prolongador esté en buenas condiciones. Cuando utilice un cable prolongador, asegúrese de que tenga la capacidad para conducir la corriente que su producto exige. Un cable de menor capacidad provocará una disminución en el voltaje de la línea que producirá pérdida de potencia y sobrecalentamiento. La tabla muestra la medida correcta que debe utilizar según la longitud del cable y la capacidad nominal en amperios indicada en la placa. En caso de duda, utilice el calibre inmediatamente superior. Cuanto menor sea el número de calibre, más grueso será el cable. Si se utilizará el cable prolongador en el exterior, éste debe ser el adecuado para trabajos al aire libre. Las letras "WA" en la cubierta del cable indican que el cable es apropiado para uso en el exterior.

Volts	Calibre mínimo para cables de extensión			
	Longitud total del cable en pies			
120V	0-25	26-50	51-100	101-150
	(0-7,6m)	(7,6-15,2m)	(15,2-30,4m)	(30,4-45,7m)
240V	0-50	51-100	101-200	201-300
	(0-15,2m)	(15,2-30,4m)	(30,4-60,9m)	(60,9-91,4m)
Amperaje				
Más de	No más de	American Wire Gage		
0 - 6	18	16	16	14
6 - 10	18	16	14	12
10 - 12	16	16	14	12
12 - 16	14	12	No se recomienda	

COMPONENTES

Figura A

1. Interruptor
2. Dispositivo de retención del cable
3. Tomacorriente del cable
4. Mango auxiliar
5. Anillo (para ajustar la altura y el borde)
6. Cubierta del motor
7. Guía de borde
8. Protector
9. Carrete



ENSAMBLADO/REGULACIONES

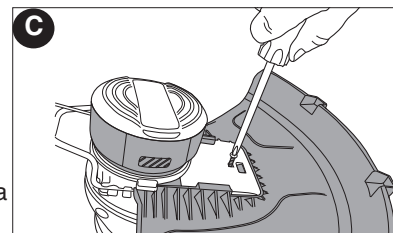
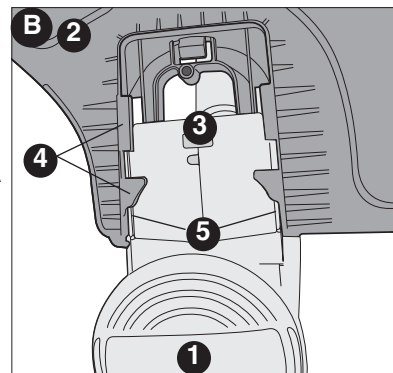
HERRAMIENTAS QUE SE REQUIEREN PARA EL ENSAMBLAJE QUE NO ESTÁN PROVISTAS:

- Destornillador Phillips

INSTALACIÓN DEL PROTECTOR

ADVERTENCIA: DESENCHUFE LA HERRAMIENTA ANTES DE INSTALAR EL PROTECTOR, LA GUIA DE BORDE O EL MANGO. NUNCA OPERE LA HERRAMIENTA SIN EL PROTECTOR ADECUADAMENTE INSTALADO. EL PROTECTOR SIEMPRE DEBE ESTAR INSTALADO EN LA HERRAMIENTA PARA PROTEGER AL USUARIO.

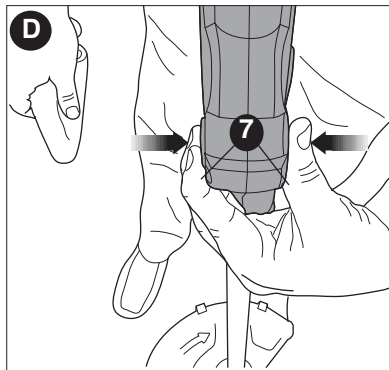
- Coloque la podadora boca abajo de manera que vea la tapa del carrete (1).
- Coloque el protector (2) boca abajo y deslícelo en la cubierta del motor (3).
- Asegúrese de que las lengüetas (4) del protector estén sujetas a las varillas (5) de la cubierta del motor como se muestra.
- Continúe deslizando el protector hasta que lo oiga encajar en su lugar.
- Con un destornillador Phillips, retire el tornillo de la guardia.



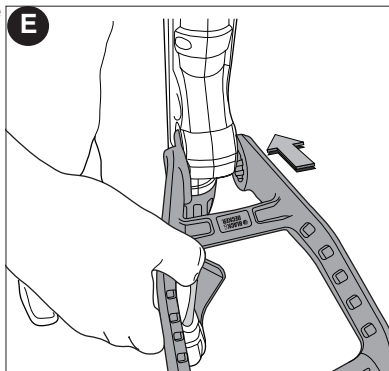
- Inserte el destornillador del protector, como se muestra en la **figura 2** para completar el ensamblaje del protector.
- Una vez instalado el protector, retire la cubierta de la hoja de corte de la cuerda ubicada en el extremo del protector.

COLOCACION DEL MANGO AUXILIAR

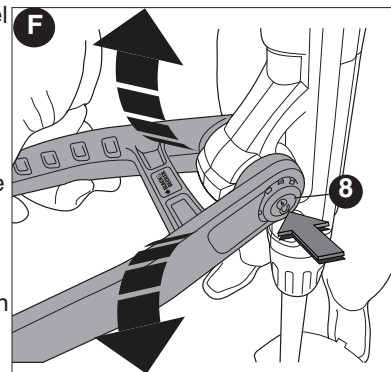
- Para colocar el mango, presione los botones (7) de ambos lados de la cubierta superior como se muestra en la **figura D**.



- Coloque el mango como se muestra en la **figura E** (con el logotipo de Black & Decker hacia arriba). Presione parcialmente el mango de manera que se retengan los botones cuando los suelta con su mano.

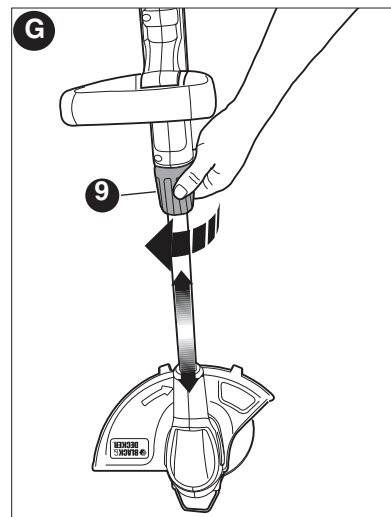


- Presione completamente el mango sobre la cubierta y muévalo ligeramente hasta que lo oiga encajar en su lugar (**figura F**).
- Para ajustar el mango hacia arriba o hacia abajo, presione el botón (8) y eleve o baje el mango.
- El mango se debe ajustar de manera que el brazo delantero esté recto cuando la podadora esté en posición de trabajo.



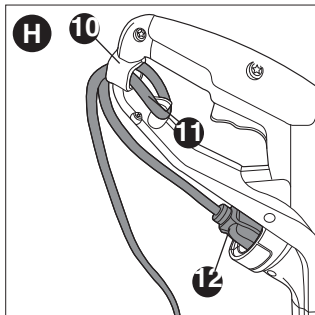
AJUSTE DE ALTURA

- La altura total de la podadora se puede ajustar aflojando el anillo (9) y girándolo en la dirección de la flecha que se muestra en la **figura G**.
- Mueva la cubierta superior en línea recta hacia arriba o hacia abajo. Al alcanzar la altura deseada, ajuste el anillo girándolo en la dirección contraria a la que se muestra en la **figura G**.



COLOCACION DEL CABLE PROLONGADOR

• El mango del interruptor tiene incorporado un dispositivo de retención del cable prolongador (**figura H**) que evita que el cable se desenchufe. Para utilizarlo, simplemente doble aproximadamente 203 mm (8 pulgadas) del cable prolongador desde el extremo y colóquelo en la ranura (10) que está en la parte inferior del área del mango. Para enganchar el bucle que se forma, doble el cable sobre la lengüeta (11). Jale suavemente del cable para asegurarse de que quede firmemente retenido en el mango de la podadora. Enchufe el extremo del receptáculo del cable prolongador en las hojas del enchufe (12) de la podadora.



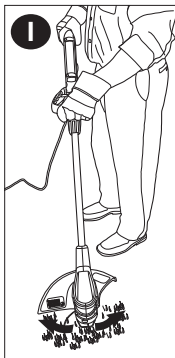
INSTRUCCIONES DE OPERACION

ADVERTENCIA: Utilice siempre protección adecuada para los ojos que cumple con la norma ANSI Z87.1 (CAN/CSA Z94.3) mientras opera esta herramienta.

PRECAUCIÓN: Inspeccione el área por cortar y saque los alambres, cables u objetos similares a un cordel, que podrían enredarse en la cuerda giratoria o el carrete. Tenga especial precaución a fin de evitar cables que estén doblados hacia afuera del trayecto de la herramienta, como las púas en la base de un alambre de púas.

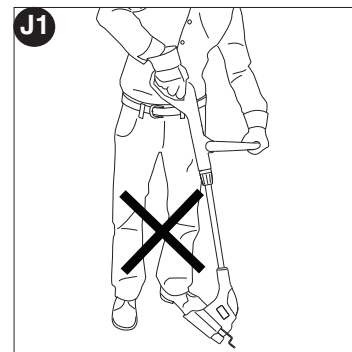
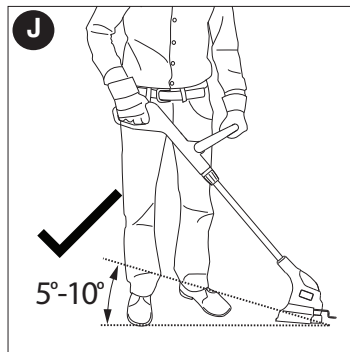
ENCENDIDO Y APAGADO

- Para encender la herramienta, presione la palanca del interruptor.
- Para apagar la herramienta, suelte la palanca del interruptor.
- Con la unidad encendida, gire lentamente la podadora en ángulos de lado a lado, como se muestra en la **figura I**.



FUNCIONAMIENTO DE LA PODADORA

- Mantenga un ángulo de corte de 5 a 10 grados como se muestra en la Figura J. No exceda los 10 grados (Figura J1). Corte con la punta de la cuerda. Para mantener cierta distancia de las superficies duras, utilice la guía de borde (7). Hale la guía hacia afuera hasta que encaje firmemente en su lugar produciendo un chasquido.



- Mantenga una distancia mínima de 609,6 mm (24 pulgadas) entre el protector y sus pies como se muestra en la Figura J2. Para lograr esta distancia, ajuste la altura general de la podadora como se muestra en la Figura G.

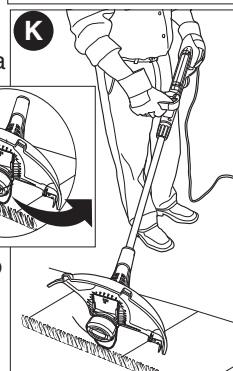
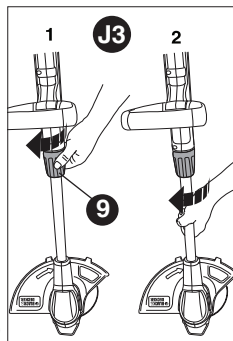


CONVERSIÓN AL MODO DE BORDEADO

- Para operar como una bordeadora de mantenimiento, gire el anillo (9) como se muestra en la parte 1 de la **figura J3**.
- Sostenga el eje de metal y gire la cubierta inferior 180° como se muestra en la parte 2.
- Gire el anillo (9) hasta el final.
- Si lo desea, saque la guía del borde del cable (7) de la cubierta del motor hasta que emita un chasquido y se ajuste en la posición de bloqueo como se muestra en la **figura K** y coloque la podadora encima de la superficie como se muestra en la **figura K**.
- Para volver a la posición de podar, afloje el anillo de bloqueo (9) y nuevamente gire de regreso la cubierta inferior 180°. La herramienta se bloqueará en la posición de podadora. Al utilizar la herramienta, coloque la guía del borde del cable en la posición original, fuera del trayecto.

CONSEJOS ÚTILES PARA CORTAR

- Utilice la punta de la cuerda para realizar el corte; no empuje el cabezal de la cuerda contra el césped sin cortar. Para lograr trabajos de calidad, utilice la guía de borde a lo largo de elementos como cercos, casas y canteros.
- Los cercos de alambre y de estacas provocan un mayor desgaste de la cuerda e incluso su rotura. Los muros de piedra y ladrillo, las cunetas y la madera pueden desgastar la cuerda rápidamente.
- No permita que la tapa del carrete se arrastre sobre el suelo u otras superficies.
- En crecimientos largos, corte desde arriba hacia abajo y no exceda una altura de 304,8 mm (12 pulgadas).
- Mantenga la podadora inclinada hacia el área que se corta; ésta es la mejor área de corte.
- La podadora corta al mover la unidad de derecha a izquierda. Esto evitará que se arrojen restos al usuario.



- Evite árboles y arbustos. La cuerda fácilmente puede dañar la corteza de árboles, las molduras de madera, los revestimientos exteriores y los pilares de cercos.

CUERDA DE CORTE/ALIMENTACIÓN DE LA CUERDA

Su podadora utiliza una cuerda de nailon **REDONDA de 1,7 mm (0,065 pulgada)** de diámetro. Durante el uso, las puntas de las cuerdas de nailon se deshilarán y desgastarán, y la bobina de la cuerda de alimentación especial se autoalimentará y recortará la cuerda automáticamente para proporcionar una punta nueva. La cuerda de corte se desgastará más rápido y necesitará más alimentación si el corte o el bordeado se realizan cerca de aceras u otras superficies abrasivas, o si se cortan malezas más espesas. El mecanismo avanzado de alimentación automática de la cuerda detecta cuándo se necesita más cuerda de corte y alimenta y corta la longitud correcta de cuerda según sea necesario. **NO GOLPEE** la unidad al intentar alimentar una cuerda ni por algún otro motivo.

ACCESORIOS DE REPUESTO

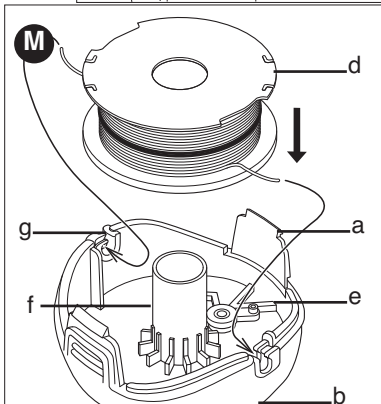
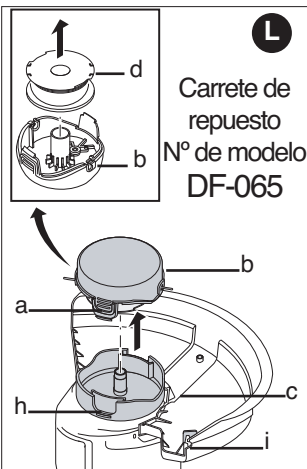
Utilice el carrete de repuesto de Black & Decker modelo N° DF-065. Vuelva a cargar la cuerda de nailon (de paquete o el carrete de repuesto pre-enrollado) como se muestra en este manual.

- **UTILICE SOLO CUERDA REDONDA DE NYLON DE 1,7 mm (0,065 pulgada) DE DIÁMETRO.** No utilice cuerdas dentadas o de mayor calibre ya que sobrecargarán el motor y provocarán sobrecalentamiento. Puede conseguir esta cuerda a través de su distribuidor local o centro de mantenimiento autorizado.
- Otras partes de repuesto (protectores, tapas de carrete, etc.) están disponibles en los centros de mantenimiento de Black & Decker. Para averiguar la ubicación de su centro de mantenimiento local llame al: **1-800-544-6986** o visite **www.blackanddecker.com**

ADVERTENCIA: El uso de accesorios no recomendados por Black & Decker para esta herramienta puede ser peligroso.

REEMPLAZO DEL CARRETE (figuras L y M)

- Desenchufe la herramienta.
- Presione las lengüetas (a) y extraiga la tapa del carrete (b) de la cubierta del carrete (c) en el cabezal de la podadora (figura L).
- Para obtener mejores resultados, reemplace el carrete con el modelo N° DF-065 de Black & Decker.
- Tome el carrete vacío (d) con una mano y la cubierta del carrete con la otra, y extraiga el carrete.
- Si la palanca (e) (figura M) de la base de la cubierta se desprende, póngala de nuevo en la posición correcta antes de insertar el nuevo carrete en la cubierta.
- Elimine cualquier resto de suciedad o césped en el carrete y la cubierta.
- Tome el carrete nuevo y empújelo sobre la parte saliente (f) (figura M) de la cubierta. Gire el carrete ligeramente hasta que esté bien colocado.
- Desate el extremo de una de las cuerdas de corte y ponga la cuerda dentro de uno de los orificios (g) figura M. La cuerda debe sobresalir aproximadamente 136 mm (5-3/8 pulgadas) de la cubierta.
- Desate el extremo de la otra cuerda de corte y ponga la cuerda dentro del otro orificio. La cuerda debe sobresalir aproximadamente 136 mm (5-3/8 pulg.) de la cubierta.
- Alinee las lengüetas de la tapa del carrete (a) con las ranuras (h) en la cubierta (figura L).



- Empuje la tapa dentro de la cubierta hasta que encaje firmemente en su lugar.
- AVISO:** Para evitar que se dañe la herramienta, si la cuerda de corte sobresale más allá de la hoja de corte (i), corte el excedente de manera que esté a la altura de la hoja (figura L).

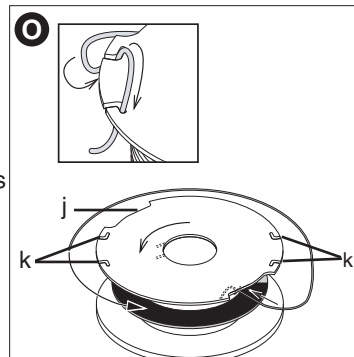
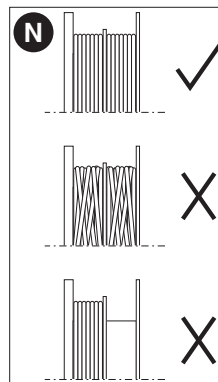
REBOBINADO DEL CARRETE CON CUERDA A GRANEL (UTILICE SOLO CUERDA DE DIAMETRO REDONDA DE 1,7 MM (0,0065 PULGADA)) (FIGURAS N, O)

- También puede comprar cuerda a granel en el comercio minorista local. **NOTA:** Es probable que los carretes enrollados a mano con una cuerda a granel se enreden con mayor frecuencia que los carretes de Black & Decker enrollados de fábrica. Para mejores resultados, se recomiendan los carretes enrollados de fábrica.

Para instalar la cuerda a granel, siga los pasos a continuación:

- Desenchufe la herramienta.
- Extraiga el carrete vacío de la herramienta como se describe en el "REEMPLAZO DEL CARRETE".

- Retire cualquier resto de cuerda de corte del carrete.
- Primero, enrolle la nueva cuerda en la parte superior del carrete.
- Introduzca 19 mm (3/4 pulgada) de cuerda de corte en una de las ranuras de anclaje de la cuerda.
- Enrolle la cuerda de corte dentro del carrete en la dirección de la flecha en el carrete. Asegúrese de enrollar la cuerda prolijamente y en capas. No la entrecruce (figura N).
- Cuando la cuerda de corte enrollada llegue a las ranuras (j), corte la cuerda (figura O).
- Detenga la cuerda temporalmente en las ranuras de retención (k) en uno de los costados del carrete, como se muestra en el recuadro de la figura O.



- Repita el procedimiento anterior para la segunda cuerda de corte en la sección inferior del carrete.
- Coloque el carrete en la herramienta como se describe en el “**REEMPLAZO DEL CARRETE**”.

PRECAUCIÓN: Antes de comenzar a podar, asegúrese de usar sólo el tipo apropiado de cuerda de corte. Asegúrese de que la cuerda de corte esté presente en ambas secciones del carrete (**figura M**).

MANTENIMIENTO

ADVERTENCIA: Para evitar lesiones graves, apague y desenchufe la herramienta antes de realizar cualquier tipo de mantenimiento.

1. Mantenga limpias las ranuras de admisión de aire para evitar el sobrecalentamiento.
2. La cuerda de la podadora puede secarse con el tiempo. Para conservar la cuerda en óptimas condiciones, guarde los carretes pre-enrollados de repuesto o la cuerda en paquete en una bolsa sellada de plástico con una cucharada de agua.
3. Las piezas de plástico pueden limpiarse utilizando jabón suave y un paño húmedo.
4. La cortadora de cuerda en el extremo del protector puede perder filo con el tiempo. Se recomienda mantener periódicamente el filo de la hoja con una lima.

IMPORTANTE: Para garantizar la **SEGURIDAD** y la **CONFIABILIDAD** del producto, las reparaciones, el mantenimiento y el ajuste deben realizarse en los centros de mantenimiento autorizados o en otras organizaciones de mantenimiento calificadas, utilizando siempre piezas de repuesto idénticas.

INFORMACION DE MANTENIMIENTO

- Retire el carrete y verifique si la palanca en la cubierta se puede mover libremente.
 - Retire el carrete y desenrolle la cuerda de corte, para luego volver a enrollarla prolijamente. Reemplace el carrete de la cubierta.

Todos los Centros de servicio de Black & Decker cuentan con personal altamente capacitado dispuesto a brindar a todos los clientes un servicio eficiente y confiable en la reparación de herramientas eléctricas. Si necesita consejo técnico, reparaciones o piezas de repuesto originales de fábrica, póngase en contacto con el centro de servicio de Black & Decker más cercano a su domicilio. Para ubicar su centro de servicio local, consulte la sección “Herramientas eléctricas” (Tools-Electric) de las páginas amarillas, llame al **1-800-544-6986** o visite nuestro sitio **www.blackanddecker.com**.

DETECCION DE PROBLEMAS

PROBLEMA

La herramienta funciona lentamente.

SOLUCIÓN

- Verifique que la cubierta del carrete pueda girar libremente. Si es necesario, límpiela cuidadosamente.
- Verifique que la cuerda de corte no sobresalga más de 136 mm (5 3/8 pulgadas) del carrete aproximadamente. Si sobresale más, corte el excedente de manera que esté a la altura de la cuerda de la hoja de corte.

La alimentación automática de cuerda no alimenta más cuerda.

- Se alimenta más cuerda cuando ésta se acorta a aproximadamente 76,2 mm (3 pulgadas). Para determinar si la cuerda no se está alimentando, permita que la misma se desgaste más allá de este punto.
- Extraiga la batería de la herramienta.
- Retire la tapa del carrete.
- Tire de la cuerda de corte hasta que sobresalga 136 mm (5 3/8 pulgadas) del carrete. Si la cuerda de corte que queda en el carrete es insuficiente, instale un nuevo carrete de cuerda de corte.
- Asegúrese de que la cuerda no se haya entrecruzado con el carrete como se detalla en la figura 18. Si se ha entrecruzado, desenrolle la cuerda de corte y nuevamente enrolle la cuerda prolijamente en el carrete de manera que las cuerdas no se entrecrucen.
- Alinee las lengüetas en la tapa del carrete con las muescas de la cubierta.
- Empuje el carrete dentro de la cubierta hasta que encaje firmemente en su lugar.

PROBLEMA

La alimentación automática de cuerda no alimenta más cuerda.

SOLUCIÓN

- Inspeccione si los surcos en la base del carrete presentan daños. Si están dañados, reemplace el carrete.
- Lea el código que se encuentra en la parte posterior del carrete. Si aparece "PA66", llame a atención al cliente para obtener un repuesto. Si aparece "ABS", éste no es el problema.
- Si la cuerda de corte sobresale más allá de la hoja de corte, corte el excedente de manera que esté a la altura de la hoja. Si la alimentación automática de la cuerda aún no funciona o el carrete está atascado, haga lo siguiente:
- Limpie cuidadosamente el carrete y la cubierta.
- Retire el carrete y verifique si la palanca en la cubierta se puede mover libremente.
- Retire el carrete y desenrolle la cuerda de corte, para luego volver a enrollarla prolijamente. Reemplace el carrete de la cubierta.

Sobrealimentación

- Asegúrese de estar cortando con la punta de la cuerda (133,3 mm [5.25 po] desde el carrete). Si es necesario, utilice la guía de borde para mantener la distancia correcta.
- Asegúrese de no exceder un ángulo de 10 grados como se muestra en la Figura J1.

La cuerda se desenrolla al quitar la tapa o el carrete

- Antes de quitar la cuerda, asegúrese de sujetarla en las ranuras de retención (K) (Figura O).

**· GARANTÍA BLACK & DECKER · BLACK & DECKER WARRANTY
· SOLAMENTE PARA PROPOSITOS DE MEXICO**

Distributor Name · *Sello firma del distribuidor*

Date of purchase · *Fecha de compra*

Invoice No. · No. de factura

PRODUCT INFORMATION · *IDENTIFICACION DEL PRODUCTO*

Cat. No. · *Catalogo ó Modelo*

Serial Number · No. de serie

Name · *Nombre*

Last Name · Apellido

Address · *Dirección*

City · *Ciudad*

State · Estado

Postal Code · *Código Postal*

Country · País

Telephone · *No. Teléfono*

GARANTIA COMPLETA DE DOS AÑOS PARA USO EN EL HOGAR

Black & Decker (Estados Unidos) Inc. ofrece una garantía de dos años por cualquier defecto del material o de fabricación de este producto. El producto defectuoso se reparará o reemplazará sin costo alguno de dos maneras.

La primera opción, el reemplazo, es devolver el producto al comercio donde se adquirió (siempre y cuando se trate de un comercio participante). Las devoluciones deben realizarse conforme a la política de devolución del comercio (generalmente, entre 30 y 90 días posteriores a la venta). Le pueden solicitar comprobante de compra. Consulte en el comercio acerca de la política especial sobre devoluciones una vez excedido el plazo establecido.

La segunda opción es llevar o enviar el producto (con flete pago) a un Centro de servicio propio o autorizado de Black & Decker para su reparación o reemplazo según nuestro criterio. Le pueden solicitar el comprobante de compra. Los Centros de servicio autorizados y de propiedad de Black & Decker se detallan en la sección "Herramientas eléctricas" (Tools-Electric) de las páginas amarillas de la guía telefónica.

Esta garantía no se extiende a los accesorios. Esta garantía le concede derechos legales específicos; usted puede tener otros derechos que pueden variar según el estado o la provincia. Si tiene alguna pregunta, comuníquese con el gerente del Centro de servicio de Black & Decker de su zona. Este producto no está diseñado para uso comercial.

AMÉRICA LATINA: esta garantía no se aplica a los productos que se venden en América Latina. Para los productos que se venden en América Latina, debe consultar la información de la garantía específica del país que viene en el empaque, llamar a la compañía local o visitar el sitio Web a fin de obtener esa información.

2 AÑOS DE GARANTIA

Este producto cuenta con dos años de garantía a partir de la fecha de compra contra cualquier defecto de su funcionamiento, así como cualquier falla debido a materiales empleados para su fabricación ó mano de obra defectuosa.

Nuestra garantía incluye la reparación o reposición del producto y/o componentes sin cargo alguno para el cliente incluyendo la mano de obra, esta incluye los gastos de transportación erogados para lograr cumplimiento de esta garantía en los domicilios diversos señalados.

Para hacer efectiva esta garantía deberá presentar su herramienta y esta póliza sellada por el establecimiento comercial donde se adquirió el producto.

Nos comprometemos a entregar el producto en un lapso no mayor a 30 días hábiles contados a partir de la fecha de recepción del mismo en nuestros talleres de servicio autorizados.

ESTA GARANTIA NO APLICA CUANDO:

El producto se hubiese utilizado en condiciones distintas a las normales.

El producto no hubiese sido operado de acuerdo con el instructivo de uso que se acompaña.

El producto hubiese sido alterado o reparado por personas no autorizadas por nosotros.

Importador: Black & Decker S.A. de .C.V
Bosque de Cidros Acceso Radiatas No.42
3ra.Seccion de Bosques de las lomas
C.P.05120, Mexico, D.F. Tel: (01 55) 5326 7100

SOLAMENTE PARA PROPOSITOS DE MEXICO

Grupo Realsa en herramientas, S.A. de C.V.

Súper Manzana 69 MZ.01 Lote 30
(Av. Torcasita)
Col. Puerto Juárez
Cancún, Quintana Roo
Tel. 01 998 884 72 27

Ferre Pat de Puebla, S.A. de C.V.

16 de Septiembre No. 6149
Col. El Cerrito
Puebla, Puebla
Tel. 01 222 264 12 12

Ferre Pat de Puebla, S.A. de C.V.

Ejército Mexicano No. 15
Col. Ejido 1ro. de Mayo
Boca del Rio, Veracruz
Tel. 01 229 167 89 89

Servicio de Fabrica Black & Decker, S.A. de C.V.

Lázaro Cardenas No. 18
Col. Obrera
Distrito Federal
Tel. 55 88 95 02

Representaciones Industriales Robles, S.A. de C.V.

Tezozomoc No. 89
Col. La Preciosa
Distrito Federal
Tel. 55 61 86 82

Gpo. Comercial de Htas. y Refacciones de Occidente, S.A. de C.V.

Av. La Paz No. 1779
Col. Americana, S. Juárez
Guadalajara, Jalisco
Tel. 01 33 38 25 69 78

Herramientas y Equipos Profesionales

Av. Colón 2915 Ote.
Col. Francisco I. Madero
Monterrey, Nvo. León
Tel. 01 81 83 54 60 06

Htas. Portátiles de Chihuahua, S.A. de C.V.

Av. Universidad No. 2903
Col. Fracc. Universidad
Chihuahua, Chihuahua
Tel. 01 614 413 64 04

Fernando González Armenta

Bolivia No. 605
Col. Felipe Carrillo Puerto
Cd. Madero, Tampico
Tel. 01 833 221 34 50

Perfiles y Herramientas de Morelia

Gertrudis Bocanegra No. 898
Col. Ventura Puente
Morelia, Michoacán
Tel. 01 443 313 85 50

Enrique Robles

Av. de la Solidaridad No. 12713
Col. La Pradera
Irapuato, Guanajuato
Tel. 01 462 626 67 39

Hernández Martínez Jeanette

Prolongación Corregidora Nte. No. 1104
Col. Arboledas
Queretaro, Qro.
Tel. 01 442 245 25 80

PARA OTRAS LOCALIDADES LLAME AL 01 800 847 2309 o 01 800 847 2312.

BLACK & DECKER S.A. DE C.V.
BOSQUES DE CIDROS ACCESO RADIATAS NO. 42
COL. BOSQUES DE LAS LOMAS.
05120 MEXICO, D.F.
TEL. (01 55) 5326 7100
01 800 847 2309/01 800 847 2312

Cat. No. GH710

Copyright© 2011 Black & Decker

**Vea “Herramientas
eléctricas (Tools-Electric)”
– Páginas amarillas –
para Servicio y ventas**



Form No. 90569015

November 2011

Printed in China

Free Manuals Download Website

<http://myh66.com>

<http://usermanuals.us>

<http://www.somanuals.com>

<http://www.4manuals.cc>

<http://www.manual-lib.com>

<http://www.404manual.com>

<http://www.luxmanual.com>

<http://aubethermostatmanual.com>

Golf course search by state

<http://golfingnear.com>

Email search by domain

<http://emailbydomain.com>

Auto manuals search

<http://auto.somanuals.com>

TV manuals search

<http://tv.somanuals.com>