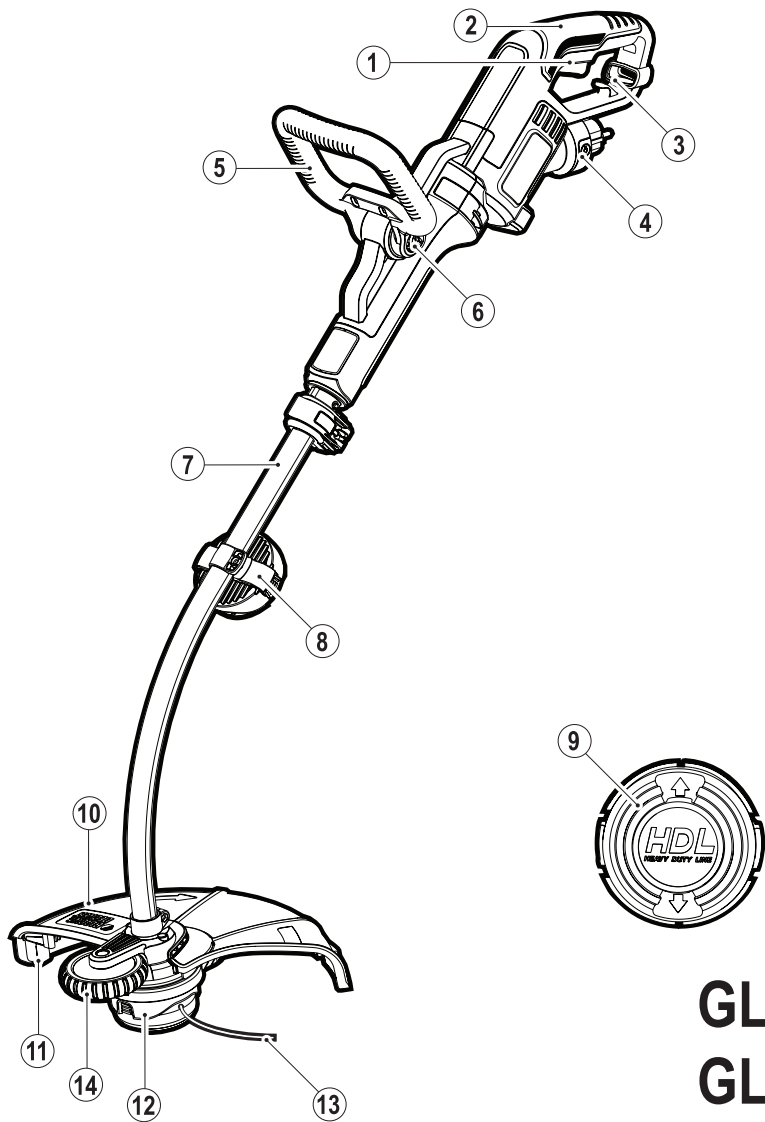


BLACK+ DECKER™



www.blackanddecker.eu

GL7033
GL8033
GL9035

EN

DE

FR

IT

NL

ES

PT

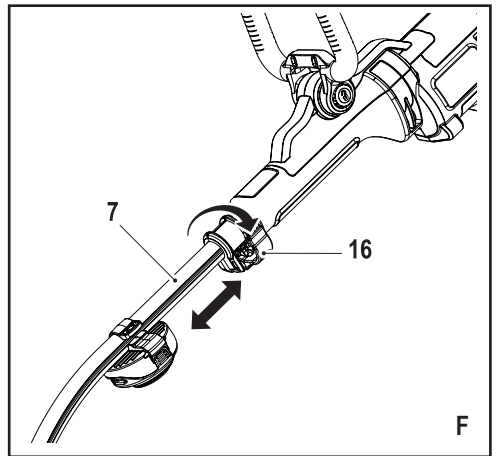
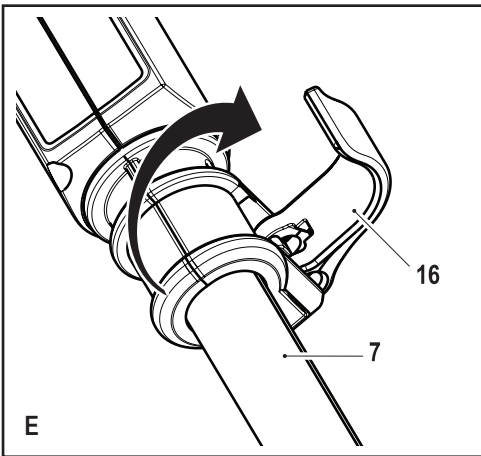
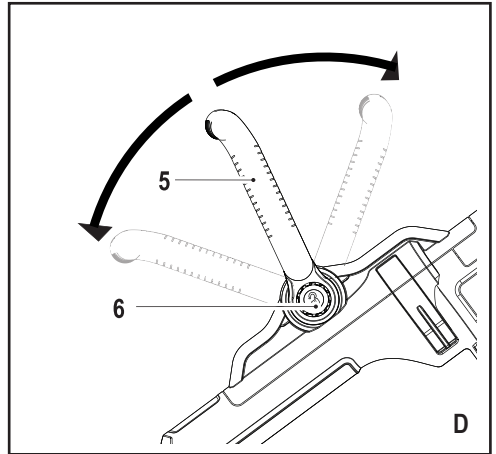
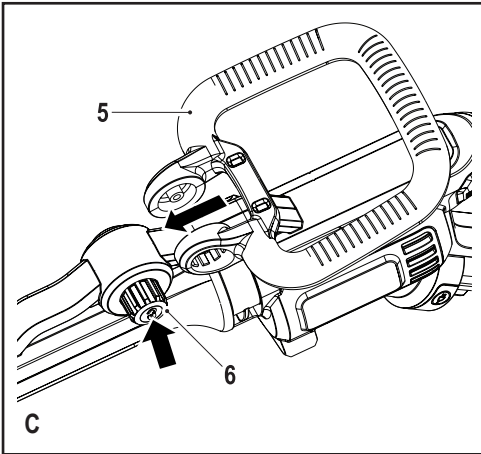
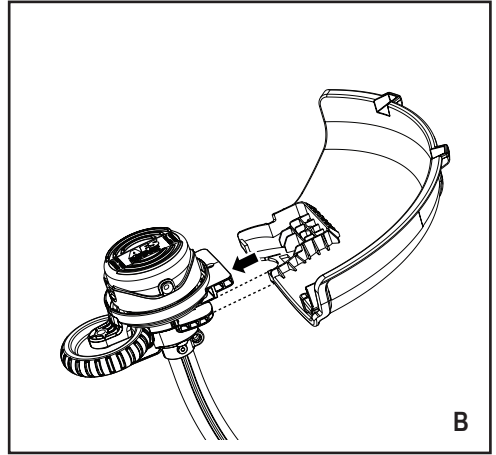
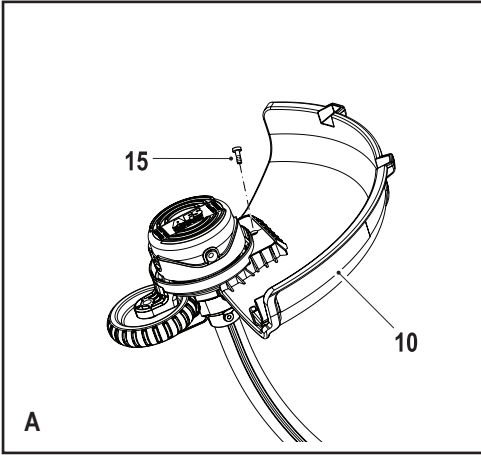
SV

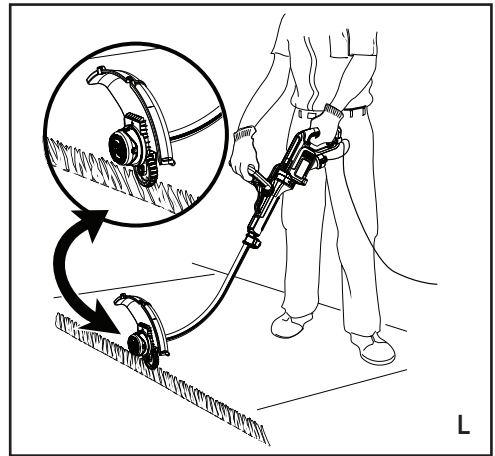
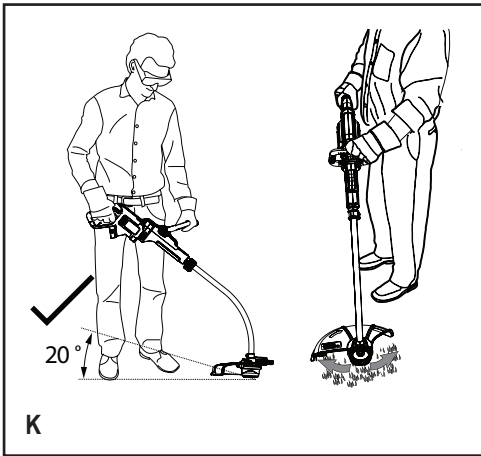
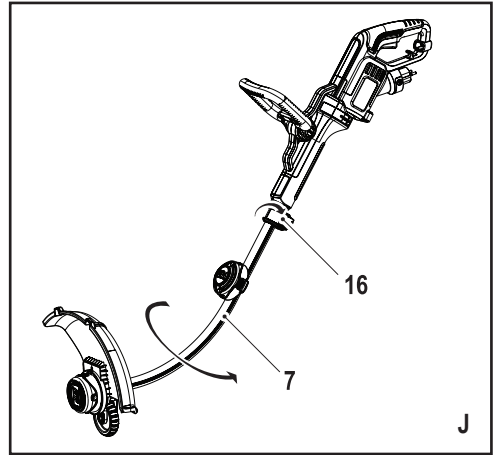
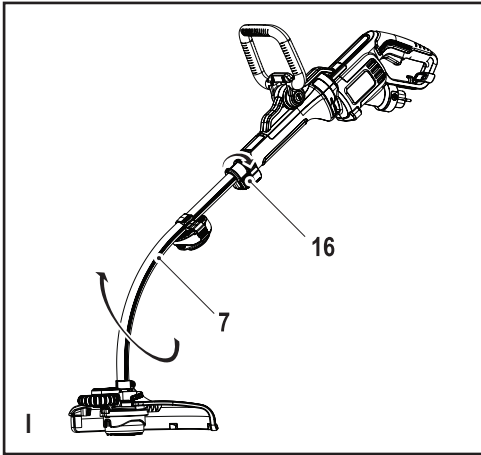
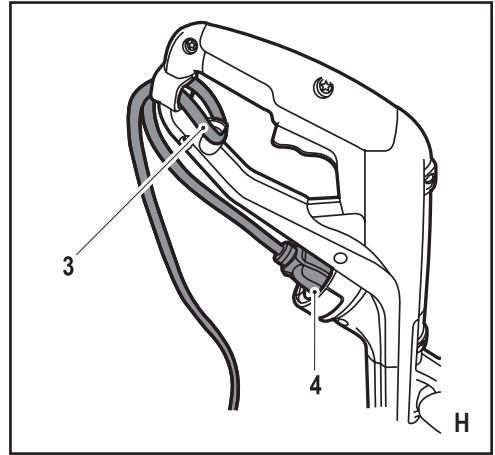
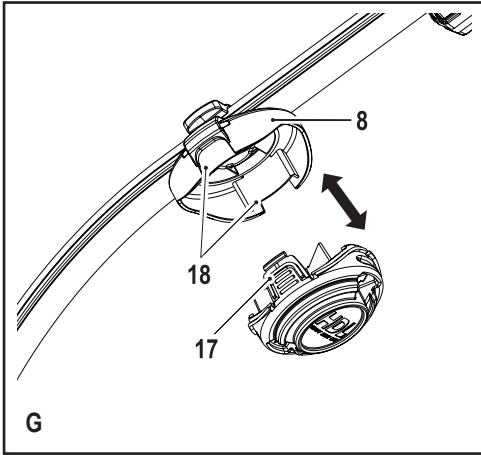
NO

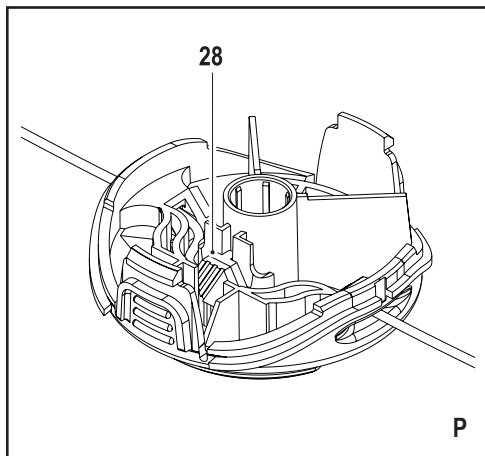
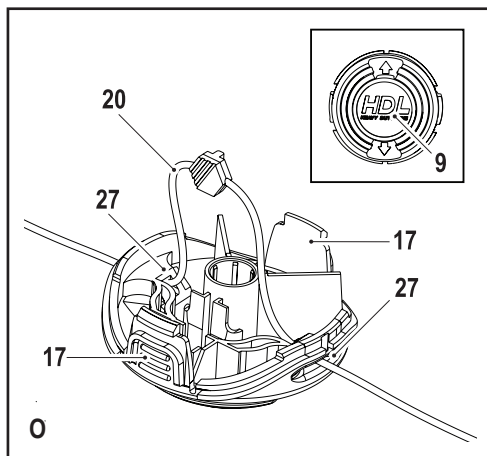
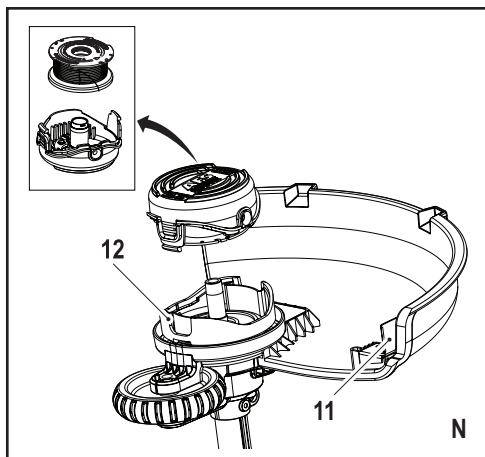
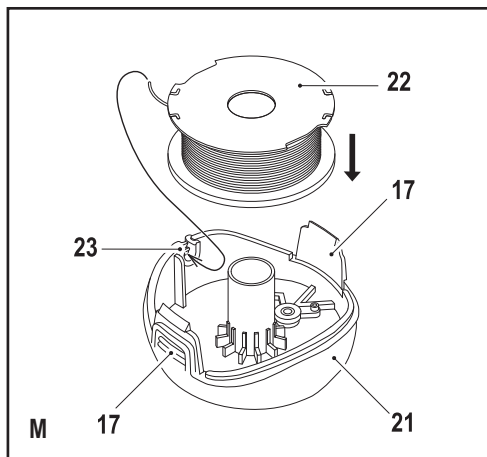
DK

FI

EL







Intended use

Your BLACK+DECKER GL7033, GL8033, GL8035 - Trimmer has been designed for trimming and finishing lawn edges and to cut grass in confined spaces. This appliance is intended for consumer use only.

Safety instructions

Warning! When using mains-powered appliances, basic safety precautions, including the following, should always be followed to reduce the risk of fire, electric shock, personal injury and material damage.

Warning! When using the machine the safety rules must be followed. For your own safety and bystanders please read these instructions before operating the machine. Please keep the instructions safe for later use.

- ◆ Read all of this manual carefully before operating the appliance.
- ◆ The intended use is described in this manual. The use of any accessory or attachment or the performance of any operation with this appliance other than those recommended in this instruction manual may present a risk of personal injury.
- ◆ Retain this manual for future reference.

Using your appliance

Always take care when using the appliance.

- ◆ Always use safety glasses or goggles.
- ◆ Never allow children or people unfamiliar with the instructions to use the appliance.

- ◆ Do not allow children or animals to come near the work area or to touch the appliance or power supply cord.
- ◆ Close supervision is necessary when the appliance is used near children.
- ◆ This appliance is not intended for use by young or infirm persons without supervision.
- ◆ This appliance is not to be used as a toy.
- ◆ Only use the appliance in daylight or good artificial light.
- ◆ Use in a dry location only. Do not allow the appliance to become wet.
- ◆ Do not immerse the appliance in water.
- ◆ Do not open the body casing. There are not user-serviceable parts inside.
- ◆ Do not operate the appliance in explosive atmospheres, such as in the presence of flammable liquids, gases or dust.
- ◆ To reduce the risk of damage to plugs or cords, never pull the cable to remove the plug from a socket.

Safety of others

- ◆ This appliance can be used by children aged from 8 years and above and persons with reduced physical, sensory or mental capabilities or lack of experience and knowledge if they have been given supervision or instruction concerning use of the appliance in a safe way and understand the hazards involved.

- ♦ Children shall not play with the appliance. Cleaning and user maintenance shall not be made by children without supervision.

Residual risks

Additional residual risks may arise when using the tool which may not be included in the enclosed safety warnings. These risks can arise from misuse, prolonged use etc.

Even with the application of the relevant safety regulations and the implementation of safety devices, certain residual risks can not be avoided. These include:

- ♦ Injuries caused by touching any rotating/moving parts.
- ♦ Injuries caused when changing any parts, blades or accessories.
- ♦ Injuries caused by prolonged use of a tool. When using any tool for prolonged periods ensure you take regular breaks.
- ♦ Impairment of hearing.
- ♦ Health hazards caused by breathing dust developed when using your tool (example:- working with wood, especially oak, beech and MDF).

After use

- ♦ When not in use, the appliance should be stored in a dry, well ventilated place out of reach of children.
- ♦ Children should not have access to stored appliances.
- ♦ When the appliance is stored or transported in a vehicle it should be placed in the boot or restrained to prevent

movement following sudden changes in speed or direction.

Inspection and repairs

- ♦ Before use, check the appliance for damaged or defective parts. Check for breakage of parts and any other conditions that may affect its operation.
- ♦ Do not use the appliance if any part is damaged or defective.
- ♦ Have any damaged or defective parts repaired or replaced by an authorised repair agent.
- ♦ Never attempt to remove or replace any parts other than those specified in this manual.

Additional safety instructions for grass trimmers

Warning! Cutting elements continue to rotate after the motor is switched off.

- ♦ Be familiar with the controls and the proper use of the appliance.
- ♦ Before use, check the power supply cord and extension cord for signs of damage, ageing and wear. If a cord becomes damaged during use, disconnect the cord from the mains supply immediately. **DO NOT TOUCH THE CORD BEFORE DISCONNECTING THE SUPPLY.**
- ♦ Do not use the appliance if the cords are damaged or worn.
- ♦ Wear stout shoes or boots to protect your feet.
- ♦ Wear long trousers to protect your legs.

- Before using the appliance, check that your cutting path is free from sticks, stones, wire and any other obstacles.
 - Only use the appliance in the upright position, with the cutting line near the ground. Never switch the appliance on in any other position.
 - Move slowly when using the appliance. Be aware that freshly cut grass is damp and slippery.
 - Do not work on steep slopes. Work across the face of slopes, not up and down.
 - Never cross gravel paths or roads while the appliance is running.
 - Never touch the cutting line while the appliance is running.
 - Do not put the appliance down until the cutting line has come to a complete standstill.
 - Use only the appropriate type of cutting line. Never use metal cutting line or fishing line.
 - Be careful not to touch the line trimming blade.
 - Take care to keep the mains cable away from the cutting line. Always be aware of the position of the cable.
 - Keep hands and feet away from the cutting line at all times, especially when switching on the motor.
 - Before using the appliance and after any impact, check for signs of wear or damage and repair as necessary.
 - Never operate the appliance with damaged guards or without guards in place.
- Take care against injury from any device fitted for trimming the filament line length. After extending new cutter line always return the machine to its normal operating position before switching on.
 - Always ensure that the ventilation slots are kept clear of debris.
 - Do not use the lawn trimmer (edge trimmer), if the cords are damaged or worn.
 - Keep extension cords away from cutting elements.

Electrical safety



This appliance is double insulated; therefore no earth wire is required. Always check that the power supply corresponds to the voltage on the rating plate.

- If the supply cord is damaged, it must be replaced by the manufacturer or an authorised BLACK+DECKER Service Centre in order to avoid a hazard.
- Electric safety can be further improved by using a high sensitivity 30 mA Residual Current Device (RCD).

Labels on appliance

The following warning symbols are found on the appliance along with the date code:



Read the manual prior to operation.



Wear safety glasses or goggles when operating this appliance.



Wear suitable ear protectors when operating this appliance.



Always remove the plug from the socket before inspecting a damaged cable. Be careful not to use your strimmer if the cable is damaged.



Beware of flying objects. Keep bystanders away from the cutting area.



Do not expose the appliance to rain or high humidity.



Directive 2000/14/EC guaranteed sound power.

Features

This appliance includes some or all of the following features.

1. On/off switch
2. Handle
3. Cable restraint
4. Power inlet
5. Second handle
6. Adjustment button
7. Tube
8. Spare spool storage
9. HDL cap
10. Guard
11. Line trimming blade
12. Spool housing
13. Cutting line
14. Edge wheel

Assembly

Warning! Before assembly, make sure that the tool is switched off and unplugged.

Fitting the guard (fig. A & B)

- ◆ Remove the screw (15) from the guard (10).
- ◆ Place the guard (10) onto the tool as shown.
- ◆ Firmly press the guard until it snaps into place.
- ◆ Secure the guard with the screw.
- ◆ Tighten the screw.

Warning! Never use the tool unless the guard is properly fitted.

Attaching the second handle (fig. C)

- ◆ Press in and hold the adjustment button (6) on the side of the main body.
- ◆ Slide the secondary handle (5) in place over the adjustment button (6).

Warning! Ensure that the teeth on the button are correctly aligned in slots in the handle and that the handle is secure.

Adjusting the position of the secondary handle (fig. D)

The secondary handle (5) can be adjusted to provide optimum balance and comfort.

- ◆ Press in the adjustment button (6) on the left side of the

handle.

- ◆ Rotate the second handle (5) into the required position.
- ◆ Release the adjustment button (6).

Warning! Ensure that the teeth on the button are correctly aligned in slots in the handle and that the handle is secure.

Adjusting the height of the tool (fig. E & F)

This tool has a telescopic mechanism, allowing you to set it to a comfortable height. There are multiple height settings.

To adjust the height setting, proceed as follows:

- ◆ Release the height adjust locking clamp (16).
- ◆ Gently pull the tube (7) up or down to the desired height.
- ◆ Close the height adjust locking clamp (16).

Releasing the cutting line

In transit, the cutting line is taped to the spool housing.

Warning! Before assembly, disconnect from the power supply.

- ◆ Remove the tape holding the cutting line to the spool housing (12).

Storing the spool not in use (fig. G)

The tool has two cutting systems:

- ◆ **AFS:** Single line autofeed for light trimming and edging.
- ◆ **HDL:** Heavy Duty Dual Line cutting system for more overgrown areas.

Note: The HDL spool may be used in trimming mode only. The cutting system not in use can be stored in the spare spool storage (GL8033 & GL9035 Only).

- ◆ Align the tabs (17) on the spool cover with the cut outs (18) in the spare spool storage (8).
- ◆ Push the cover onto the spare spool storage until it snaps securely into place.

Connecting the tool to the mains (fig. H)

- ◆ Connect the female plug of a suitable extension cable to the power inlet (4).
- ◆ Loop the cable through the cable restraint (3).
- ◆ Insert the mains plug into a mains outlet.

For wired in cable units: Make sure the cable is looped through the cable restraint prior to connecting the plug to the mains outlet.

Warning! The extension cable must be suitable for outdoor use.

Use

Warning! Let the tool work at its own pace. Do not overload.

Setting the tool to trimming or edging mode (fig. I & J)

The tool can be used in trimming mode as shown in fig. I or in edging mode to trim overhanging grass along lawn edges and flower beds as shown in fig. J.

Trimming mode (fig. I)

For trimming, the trimmer head should be in the position shown in fig. I. If it is not:

- ◆ Release the height adjust locking clamp (16).

- ◆ Rotate the tube (7) clockwise.
- ◆ When the head is in position, close the height adjust locking clamp (16).

Note: The tube will only rotate in one direction.

Note: The HDL spool may be used in trimming mode.

Edging mode (fig. J)

For edging, the trimmer head should be in the position shown in fig. J. If it is not:

- ◆ Release the height adjust locking clamp (16).
- ◆ Rotate the tube (7) anti-clockwise.
- ◆ When the head is in position, close the height adjust locking clamp (16).

Note: The tube will only rotate in one direction.

Switching on and off

- ◆ To switch the tool on, squeeze the on/off switch (1).
- ◆ To switch the tool off, release the trigger lever.

Warning! Never attempt to lock the trigger lever in the on position.

Hints for optimum use

General

- ◆ In order to achieve optimum cutting results, only cut dry grass.

Trimming

- ◆ Hold the tool as shown in fig. K.
- ◆ Gently swing the trimmer from side to side.
- ◆ When cutting long grass, work in stages from the top. Take small cuts.
- ◆ Keep the tool away from hard objects and delicate plants.
- ◆ Cutting line will wear faster and require more feeding if the cutting is done along pavements or other abrasive surfaces or heavier weeds are being cut.
- ◆ If the tool starts running slowly, reduce the load.

Edging

Optimum cutting results are achieved on edges deeper than 50 mm.

- ◆ Do not use the tool to create edges. To create edges, use an edging spade.
- ◆ Guide the tool on its wheel as shown in fig. L.
- ◆ To make a closer cut, slightly tilt the tool.

Fitting a new spool of cutting line (fig. M & N)

Replacement spools of cutting line are available from your BLACK+DECKER dealer (cat. no. A6482). Packs containing 3 spools of cutting line are also available (cat. no. A6486).

- ◆ Unplug the tool.
- ◆ Keep the tabs (17) depressed and remove the spool cover (21) from the housing (12) (fig. M).
- ◆ Remove the empty spool (22) from the spool cover.
- ◆ Remove any dirt and grass from the spool cover and housing.

- ◆ Unclip the end of the cutting line and guide the line into the eyelet (23) (fig. M). The line should protrude approx. 11 cm from the spool cover.

Note: Take care not to allow the line on the spool to unravel. Hold it firmly with one hand at all times.

- ◆ Take the new spool and push it onto the boss in the spool cover. Rotate the spool slightly until it is seated.
- ◆ Align the tabs (17) on the spool cover with the cut outs (24) in the housing (12).
- ◆ Push the cover onto the housing until it snaps securely into place.

Warning! If the cutting lines protrude beyond the trimming blade (11), cut it off so that it just reaches the blade.

Fitting a new piece of heavy duty cutting line (fig. O & P)

You may wind new cutting line onto an empty spool.

Replacement packs of 10 heavy duty cutting lines are available from your BLACK+DECKER dealer (cat. no. A6489). To fit a new piece of cutting line, proceed as follows:

- ◆ Unplug the tool.
- ◆ Keep the tabs (17) depressed and remove the HDL cap (9) from the housing (12).
- ◆ Remove any dirt and grass from the HDL cap (9) and housing.
- ◆ Remove the used piece of line from the HDL cap (9).
- ◆ Thread a new piece of line (20) through the eyelets (27) in either side of the HDL cap.
- ◆ Put the central ferrule (28) in the indicated position (Fig. P).
- ◆ Re-fit the HDL cap.

Warning! Only use the appropriate type of BLACK+DECKER cutting line.

Mains plug replacement (U.K. & Ireland only)

If a new mains plug needs to be fitted:

- ◆ Safely dispose of the old plug.
- ◆ Connect the brown lead to the live terminal in the new plug.
- ◆ Connect the blue lead to the neutral terminal.

Warning! No connection is to be made to the earth terminal. Follow the fitting instructions supplied with good quality plugs. Recommended fuse: 5 A.

Troubleshooting

If your tool seems not to operate properly, follow the instructions below. If this does not solve the problem, please contact your local BLACK+DECKER repair agent.

Warning! Before proceeding, unplug the tool.

Appliance runs slowly

- ◆ Check that the spool housing can rotate freely. Carefully clean it if necessary.
- ◆ Check that the cutting line does not protrude more than 11 cm from the spool housing. If it does, cut it off so that it just reaches the line trimming blade.

Automatic line feed does not work

- ◆ Keep the tabs depressed and remove the spool cover from the housing.
- ◆ Pull the cutting line until it protrudes 11 cm from the housing. If insufficient cutting line is left on the spool, install a new spool of cutting line as instructed above.
- ◆ Align the tabs on the spool cover with the cut outs in the housing.
- ◆ Push the cover onto the housing until it snaps securely into place.
- ◆ If the cutting line protrudes beyond the trimming blade, cut it off so that it just reaches the blade.

If the automatic line feed still does not work or the spool is jammed, try the following suggestions:

- ◆ Carefully clean the spool cover and housing.
- ◆ Remove the spool and check if the lever can move freely.
- ◆ Remove the spool and unwind the cutting line, then wind it on neatly again as described above. Replace the spool as instructed.

Maintenance

Your BLACK+DECKER corded/cordless appliance/tool has been designed to operate over a long period of time with a minimum of maintenance. Continuous satisfactory operation depends upon proper tool/appliance care and regular cleaning.

Your charger does not require any maintenance apart from regular cleaning.

Warning! Before performing any maintenance on corded/cordless power tools:

- ◆ Switch off and unplug the appliance/tool.
- ◆ Or switch off and remove the battery from the appliance/tool if the appliance/tool has a separate battery pack.
- ◆ Or run the battery down completely if it is integral and then switch off.
- ◆ Unplug the charger before cleaning it. Your charger does not require any maintenance apart from regular cleaning.
- ◆ Regularly clean the ventilation slots in your tool/appliance and charger using a soft brush or dry cloth.
- ◆ Regularly clean the motor housing using a damp cloth. Do not use any abrasive or solvent-based cleaner.
- ◆ Regularly clean the cutting line and spool using a soft brush or dry cloth.
- ◆ Regularly use a blunt scraper to remove grass and dirt from the underneath of the guard.

Protecting the environment



Separate collection. Products and batteries marked with this symbol must not be disposed of with normal household waste

Products and batteries contain materials that can be recovered or recycled reducing the demand for raw materials. Please recycle electrical products and batteries according to local provisions. Further information is available at www.2helpU.com

Technical data

		GL7033 Type 1	GL8033 Type 1	GL9035 Type 1
Voltage	V _{ac}	230	230	230
Power Input	W	700	800	900
No-Load Speed	min ⁻¹	7000	7000	7000
Weight	kg	3.2	3.2	3.2

Level of sound pressure:

Sound pressure (L_p) 81 dB(A), uncertainty (K) 1.2 dB(A)

Sound power (L_w) 95 dB(A), uncertainty (K) 1.2 dB(A)

Vibration total values (triax vector sum) according to EN 50636-2-91:

Vibration emission value (a_v) 8.2 m/s², uncertainty (K) 1.5 m/s²

EC declaration of conformity

MACHINERY DIRECTIVE OUTDOOR NOISE DIRECTIVE



GL7033/GL8033/GL9035 - Trimmer

Black & Decker declares that these products described under "technical data" are in compliance with:

2006/42/EC, EN60335-1:2012 + A11:2014 + A13:2017 + A1:2019 + A14:2019 + A2:2019, EN50636-2-91:2014,

2000/14/EC, Lawn Mower, L < 50cm, Annex VI,

DEKRA Testing and Certification GmbH,
Handwerkstraße 15, 70565 Stuttgart

Location Certification Body,
Dinnendahlstr. 9, 44809 Bochum Germany

Notified Body number: 0158

L_{WA} (measured sound power level) 95 dB(A),

Uncertainty (K) = 1,2 dB(A),

L_{WA} (guaranteed sound power) 96 dB(A).

These products also comply with directive 2014/30/EU and 2011/65/EU.

For more information, please contact Black & Decker at the following address or refer to the back of the manual.

The undersigned is responsible for compilation of the technical file and makes this declaration on behalf of Black & Decker.



Patrick Diepenbach
General Manager, Benelux
Black and Decker,
Egide Walschaertsstraat 14-18
2800 Mechelen, Belgium
15.06.2021

The undersigned is responsible for compilation of the technical file and makes this declaration on behalf of Black & Decker.



Paul Featherstone
Product Director – Outdoor Products Group
Black and Decker UK,
270 Bath Road, Slough
Berkshire, SL1 4DX
England
15.06.2021

Declaration of conformity

The Supply of Machinery (Safety) Regulations 2008

**UK
CA**

GL7033/GL8033/GL9035 - Trimmer

Black & Decker declares that these products described under “technical data” are in compliance with:

The Supply of Machinery (Safety) Regulations, 2008, S.I. 2008/1597 (as amended), EN60335-1:2012 + A11:2014 + A13:2017 + A1:2019 + A14:2019 + A2:2019, EN50636-2-91:2014.

The Noise Emission in the Environment by Equipment for use Outdoors Regulations 2001, S.I. 2001/1701 (as amended), Schedule 9.

Intertek Testing & Certification Ltd

Academy Place, 1-9 Brook Street, Brentwood, Essex,
CM145NQ United Kingdom

Approved Body Number: 0359

L_{WA} (measured sound power level) 95 dB(A),

Uncertainty (K) = 1,2 dB(A),

L_{WA} (guaranteed sound power) 96 dB(A).

These products also conform to the following UK Regulations: Electromagnetic Compatibility Regulations, 2016, S.I.2016/1091 (as amended).

The Restriction of the Use of Certain Hazardous Substances in Electrical and Electronic Equipment Regulations 2012, S.I. 2012/3032 (as amended).

For more information, please contact Black & Decker at the following address or refer to the back of the manual.

Guarantee

Black & Decker is confident of the quality of its products and offers consumers a 24 month guarantee from the date of purchase. This guarantee is in addition to and in no way prejudices your statutory rights. The guarantee is valid within the territories of the Member States of the European Union and the European Free Trade Area.

To claim on the guarantee, the claim must be in accordance with Black&Decker Terms and Conditions and you will need to submit proof of purchase to the seller or an authorised repair agent. Terms and conditions of the Black&Decker 2 year guarantee and the location of your nearest authorised repair agent can be obtained on the Internet at www.2helpU.com, or by contacting your local Black & Decker office at the address indicated in this manual:

Please visit our website www.blackanddecker.co.uk to register your new Black & Decker product and receive updates on new products and special offers.

Bestimmungsgemäße Verwendung

Ihr BLACK+DECKER GL7033, GL8033, GL8035 - Rasentrimmer wurde für das Trimmen und Zuschneiden von Rasenkanten sowie für das Schneiden von Gras in beengten Platzverhältnissen entwickelt. Dieses Gerät ist nicht für den gewerblichen Einsatz vorgesehen.

Sicherheitshinweise

Achtung! Beachten Sie beim Umgang mit netzstrombetriebenen Geräten stets die grundlegenden Sicherheitshinweise, die im Folgenden beschrieben werden. Dadurch verhindern Sie Brände, Stromschläge sowie Sach- und Personenschäden.

Achtung! Beachten Sie beim Verwenden des Geräts unbedingt die Sicherheitsregeln. Lesen Sie zu Ihrer eigenen Sicherheit und zum Schutz in der Nähe befindlicher Personen vor Gebrauch des Geräts die folgende Bedienungsanleitung. Heben Sie diese Anleitung zur späteren Verwendung gut auf.

- ♦ Lesen Sie diese Anleitung vollständig und aufmerksam durch, bevor Sie das Gerät verwenden.
- ♦ Der vorgesehene Verwendungszweck ist in dieser Anleitung beschrieben. Bei Verwendung von Zubehör oder Anbauteilen, die nicht in dieser Anleitung empfohlen werden, sowie bei der Verwendung des Geräts in Abweichung von den in dieser Anleitung beschriebenen Verfahren besteht Verletzungsgefahr.
- ♦ Bewahren Sie diese Anleitung auf.

Verwendung des Geräts

Verwenden Sie das Gerät stets mit Umsicht.

- ♦ Tragen Sie stets eine Schutzbrille.
- ♦ Das Gerät darf nicht von Kindern und Personen genutzt werden, die die vorliegenden Anleitungen nicht gelesen haben.
- ♦ Achten Sie darauf, dass sich im Arbeitsbereich keine Kinder oder Tiere aufhalten. Verhindern Sie, dass Kinder das Gerät oder das Netzkabel berühren.
- ♦ Seien Sie besonders vorsichtig, wenn Sie das Gerät in der Nähe von Kindern verwenden.
- ♦ Das Gerät ist nicht für die unbeaufsichtigte Verwendung durch Kinder oder gebrechliche Personen vorgesehen.
- ♦ Das Gerät ist kein Spielzeug.
- ♦ Betreiben Sie das Gerät nur bei Tageslicht oder bei ausreichender Beleuchtung.
- ♦ Verwenden Sie das Gerät nur in trockener Umgebung. Achten Sie darauf, dass das Gerät nicht nass wird.
- ♦ Tauchen Sie das Gerät nicht in Wasser.
- ♦ Versuchen Sie nicht, das Gehäuse zu öffnen. Im Inneren befinden sich keine wartenden Teile.
- ♦ Betreiben Sie das Gerät nicht in explosionsgefährdeter Umgebung, in der sich brennbare Flüssigkeiten, Gase oder Staub befinden.
- ♦ Ziehen Sie niemals am Kabel, wenn Sie den Stecker aus der Steckdose ziehen möchten. Kabel und Stecker könnten sonst beschädigt werden.

Sicherheit anderer Personen

- Dieses Gerät darf von Kindern ab 8 Jahren und Personen mit eingeschränkten körperlichen, sensorischen oder geistigen Fähigkeiten sowie mangelnder Erfahrung und Wissen in Bezug auf dessen Gebrauch bedient werden, wenn sie bei der Verwendung des Geräts beaufsichtigt oder angeleitet werden und die möglichen Gefahren verstehen. Kinder dürfen nicht mit dem Gerät spielen. Reinigung und Wartungsarbeiten dürfen von Kindern nur unter Aufsicht durchgeführt werden.
- Kinder müssen beaufsichtigt werden, um sicherzustellen, dass sie nicht mit dem Gerät spielen.

Restrisiken

Für den Gebrauch dieses Geräts verbleiben zusätzliche Restrisiken, die möglicherweise nicht in den Sicherheitswarnungen genannt werden. Diese Risiken bestehen beispielsweise bei Missbrauch oder längerem Gebrauch.

Auch bei der Einhaltung der entsprechenden Sicherheitsvorschriften und der Verwendung aller Sicherheitsgeräte bestehen weiterhin bestimmte Restrisiken. Diese werden im Folgenden aufgeführt:

- Verletzungen, die durch das Berühren von sich drehenden/bewegenden Teilen verursacht werden.
- Verletzungen, die durch das Austauschen von Teilen, Messern oder Zubehör verursacht werden.

- Verletzungen, die durch längeren Gebrauch eines Geräts verursacht werden. Legen Sie bei längerem Gebrauch regelmäßige Pausen ein.
- Beeinträchtigung des Gehörs.
- Gesundheitsrisiken durch das Einatmen von Staub beim Gebrauch des Geräts (Beispielsweise bei Holzarbeiten, insbesondere Eiche, Buche und Pressspan).

Nach dem Gebrauch

- Bewahren Sie das Gerät bei Nichtgebrauch an einem trockenen, gut belüfteten Ort außerhalb der Reichweite von Kindern auf.
- Kinder sollten keinen Zugang zu aufbewahrten Geräten haben.
- Wenn das Gerät in einem Fahrzeug transportiert oder gelagert wird, bewahren Sie es im Kofferraum oder einer geeigneten Ablage auf, damit es bei plötzlichen Geschwindigkeits- oder Richtungsänderungen nicht in Bewegung geraten kann.

Inspektion und Reparaturen

- Prüfen Sie das Gerät vor der Verwendung auf beschädigte oder defekte Teile. Prüfen Sie, ob Teile beschädigt sind oder andere Bedingungen vorliegen, die die Funktion beeinträchtigen können.
- Betreiben Sie das Gerät nicht, wenn Teile beschädigt oder defekt sind.
- Lassen Sie beschädigte oder defekte Teile in einer Vertragswerkstatt reparieren oder austauschen.

- ♦ Ersetzen oder entfernen Sie keine Teile, für die in dieser Anleitung keine entsprechende Beschreibung enthalten ist.

Zusätzliche Sicherheitshinweise für Rasentrimmer

Achtung! Die Schneidevorrichtung rotiert nach Abschalten des Geräts einige Sekunden lang weiter.

- ♦ Machen Sie sich mit den Bedienelementen und dem ordnungsgemäßen Gebrauch des Geräts vertraut.
- ♦ Prüfen Sie vor der Inbetriebnahme Netz- und Verlängerungskabel auf Beschädigungen und Verschleiß. Trennen Sie das Gerät sofort vom Stromnetz, wenn ein Kabel während des Betriebs beschädigt wird. **BERUHREN SIE DAS KABEL NICHT, SOLANGE DER STECKER NOCH IN DER NETZSTECKDOSE STECKT.**
- ♦ Verwenden Sie das Gerät nicht, wenn die Kabel beschädigt oder abgenutzt sind.
- ♦ Tragen Sie stabile Schuhe oder Stiefel, um Ihre Füße zu schützen.
- ♦ Tragen Sie lange Hosen, um Ihre Beine zu schützen.
- ♦ Vergewissern Sie sich vor Verwenden des Geräts, dass die zu beschneidende Fläche frei von Ästen, Steinen, Draht und anderen Objekten ist.
- ♦ Verwenden Sie das Gerät ausschließlich in aufrechter Stellung und mit Schneidfaden in Bodennähe. Schalten Sie das Gerät keinesfalls in einer anderen Stellung ein.
- ♦ Achten Sie bei Verwendung des Geräts auf langsame Bewegungen. Bedenken Sie, dass frisch gemahetes Gras feucht und rutschig sein kann.
- ♦ Arbeiten Sie nie an steilen Hängen. Schieben Sie das Gerät immer parallel zum Hang, nie den Hang hinauf oder hinunter.
- ♦ Schalten Sie das Gerät vor dem Überqueren von Kieswegen und Straßen aus.
- ♦ Berühren Sie niemals den Schneidfaden, während sich das Gerät in Betrieb befindet.
- ♦ Warten Sie stets, bis der Schneidfaden vollständig zum Stillstand gekommen ist, bevor Sie das Gerät absetzen.
- ♦ Verwenden Sie ausschließlich geeignete Schneidfäden. Verwenden Sie keinesfalls Schneidfäden aus Metall oder Angelschnur.
- ♦ Berühren Sie auf keinen Fall das Fadenschneidmesser.
- ♦ Achten Sie darauf, dass das Stromkabel nicht in die Nähe des Schneidfadens gerät. Achten Sie stets auf die Lage des Stromkabels.
- ♦ Halten Sie Hände und Füße stets vom Schneidfaden fern, insbesondere beim Einschalten des Geräts.
- ♦ Überprüfen Sie das Gerät vor Gebrauch und nach Stößen auf Beschädigungen und Verschleiß, und veranlassen Sie notwendige Reparaturmaßnahmen.
- ♦ Betreiben Sie keinesfalls das Gerät, wenn die Schutzvorrichtungen be-

schädigt oder nicht ordnungsgemäß angebracht sind.

- Schützen Sie sich vor Verletzungen beim Verwenden von Geräten zum Verkürzen des Schneidfadens. Bringen Sie nach Herausziehen des neuen Schneidfadens das Gerät vor dem Einschalten in die normale Betriebsposition.
- Stellen Sie stets sicher, dass die Lüftungsschlitze frei von Verschmutzungen sind.
- Verwenden Sie den Rasentrimmer (Kantentrimmer) nicht, wenn die Kabel beschädigt oder abgenutzt sind.
- Halten Sie Verlängerungskabel von der Schneidevorrichtung fern.



Lesen Sie vor Inbetriebnahme die Bedienungsanleitung.



Tragen Sie eine Schutzbrille, wenn Sie mit dem Gerät arbeiten.



Tragen Sie einen geeigneten Gehörschutz, wenn Sie mit dem Gerät arbeiten.



Ziehen Sie stets den Stecker aus der Netzsteckdose, bevor Sie das Kabel auf Schäden überprüfen. Verwenden Sie den Rasentrimmer auf keinen Fall, wenn das Kabel beschädigt ist.



Achten Sie auf Gegenstände, die eventuell umhergeschleudert werden. Halten Sie andere Personen von der Schneidzone fern.



Schützen Sie das Gerät vor Feuchtigkeit und Regen.



Garantierter Schalldruckpegel, gemessen nach Richtlinie 2000/14/EG.

Merkmale

Dieses Gerät verfügt über einige oder alle der folgenden Merkmale:

1. Ein-/Ausschalter
2. Griff
3. Kabelhalterung
4. Netzanschluss
5. Zweiter Griff
6. Einstelltaste
7. Rohr
8. Ersatzspulenhaltung
9. HDL-Schneidfadenspule
10. Schutzvorrichtung
11. Fadenschneidemesser
12. Spulengehäuse
13. Schneidfaden
14. Kantenrad

Montage

Warning! Vergewissern Sie sich vor der Montage, dass das Gerät ausgeschaltet ist und der Netzstecker gezogen wurde.

Anbringen der Schutzvorrichtung (Abb. A & B)

- Entfernen Sie die Schraube (15) von der Schutzvorrichtung (10).
- Bringen Sie die Schutzvorrichtung (10) wie dargestellt am Gerät an.
- Drücken Sie die Schutzvorrichtung in ihre Position, bis sie einrastet.
- Fixieren Sie die Schutzvorrichtung mit der Schraube.

Elektrische Sicherheit



Dieses Gerät ist schutzisoliert, daher ist keine Masseleitung erforderlich. Überprüfen Sie stets, ob die Netzspannung der auf dem Typenschild des Geräts angegebenen Spannung entspricht.

- Ist das Netzkabel beschädigt, muss es durch den Hersteller oder eine BLACK+DECKER Vertragswerkstatt ausgetauscht werden, um eine mögliche Gefährdung zu vermeiden.
- Die Verwendung eines Fehlerstromschutzschalters (30 mA) erhöht die elektrische Sicherheit.

Warnsymbole am Gerät

Am Gerät sind die folgenden Warnsymbole angebracht zusammen mit dem Datumcode:

- ◆ Ziehen Sie die Schraube fest.
- Achtung!** Verwenden Sie das Gerät ausschließlich mit ordnungsgemäß angebrachter Schutzvorrichtung.

Anbringen des Zusatzgriffs (Abb. C)

- ◆ Drücken und halten Sie die Einstelltaste (6) an der Seite des Gerätegehäuses.
- ◆ Schieben Sie den Zusatzgriff (5) über die Einstelltaste (6) in Position.

Achtung! Achten Sie darauf, dass die Zähne an der Taste entsprechend den Schlitzen am Griff ausgerichtet sind und dass der Griff sicher angebracht ist.

Einstellen der Position des Zusatzgriffs (Abb. D)

Der Zusatzgriff (5) lässt sich einstellen, um eine optimale Balance und ein Höchstmaß an Arbeitskomfort zu erzielen

- ◆ Drücken Sie die Einstelltaste (6) an der linken Seite des Griffs.
- ◆ Drehen Sie den Zusatzgriff (5) in die gewünschte Position.
- ◆ Lassen Sie die Einstelltaste (6) los.

Achtung! Achten Sie darauf, dass die Zähne an der Taste entsprechend den Schlitzen am Griff ausgerichtet sind und dass der Griff sicher angebracht ist.

Einstellen der Höhe des Geräts (Abb. E und F)

Dieses Gerät lässt sich mithilfe eines Teleskopauszugs auf eine bequeme Höhe einstellen. Es sind verschiedene Höheneinstellungen möglich.

So stellen Sie die Höhe ein:

- ◆ Lösen Sie die Sicherungsklemme (16) der Höheneinstellung.
- ◆ Schieben Sie das Rohr (7) vorsichtig nach oben bzw. nach unten, bis die gewünschte Höhe erreicht ist.
- ◆ Schließen Sie die Sicherungsklemme (16) der Höheneinstellung.

Freigeben des Schneidfadens

Während des Transports ist der Schneidfaden mit Klebeband am Spulengehäuse befestigt.

Achtung! Entfernen Sie vor der Montage den Akku aus dem Gerät.

- ◆ Entfernen Sie das Klebeband, mit dem der Schneidfaden am Spulengehäuse (12) befestigt ist.

Aufbewahrung der nicht verwendeten Spule (Abb. G)

Das Gerät verfügt über zwei Schneidsysteme:

- ◆ **AFS:** Automatische Einzelfadenzuführung für leichtes Trimmen und Kantentrimmen.
- ◆ **HDL:** Hochleistungsdoppelfaden-Schneidsystem für stärker zugewachsene Bereiche

Hinweis: Die HDL-Spule darf ausschließlich im Trimmmodus verwendet werden.

Das jeweils nicht verwendete Schneidsystem kann in der Ersatzspulenhalterung aufbewahrt werden (nur GL8033 und GL9035).

- ◆ Richten Sie die Laschen (17) des Spulendeckels an den Aussparungen (18) der Ersatzspulenhalterung (8) aus.
- ◆ Drücken Sie den Deckel auf die Ersatzspulenhalterung, bis dieser sicher einrastet.

Anschließen des Geräts an die Stromversorgung (Abb. H)

- ◆ Verbinden Sie die Steckerbuchse eines geeigneten Verlängerungskabels mit dem Netzanschluss (4).
 - ◆ Führen Sie das Kabel schlaufenförmig durch die Kabelhalterung (3).
 - ◆ Stecken Sie den Netzstecker in die Steckdose.
- Bei der Verwendung von Kabelaufrollvorrichtungen: Stellen Sie sicher, dass das Kabel in der Kabelhalterung befestigt ist, bevor Sie den Netzstecker in die Steckdose stecken.

Achtung! Das Verlängerungskabel muss für die Verwendung im Freien geeignet sein.

Gebrauch

Achtung! Beschleunigen Sie den Arbeitsvorgang nicht mit Gewalt. Vermeiden Sie eine Überlastung des Geräts.

Einstellen des Trimm- bzw. Kantenmodus (Abb. I und J)

Das Gerät verfügt über einen Trimm- (Abb. I) und einen Kantenmodus (Abb. J) zum Schneiden von überhängenden Gräsern an Rasenkanten und Blumenbeeten.

Trimmmodus (Abb. I)

Zum Trimmen muss sich der Kopf des Trimmers in der in Abb. I dargestellten Position befinden. Gehen Sie folgendermaßen vor, wenn dies nicht der Fall ist:

- ◆ Lösen Sie die Sicherungsklemme (16) der Höheneinstellung.
- ◆ Drehen Sie das Rohr (7) im Uhrzeigersinn
- ◆ Schließen Sie die Sicherungsklemme (16) der Höheneinstellung, wenn sich der Kopf in der richtigen Position befindet.

Hinweis: Das Rohr lässt sich nur in eine Richtung drehen.

Hinweis: Die HDL-Spule darf im Trimmmodus verwendet werden.

Kantenmodus (Abb. J)

Zum Trimmen von Kanten muss sich der Kopf in der in Abb. J dargestellten Position befinden. Gehen Sie folgendermaßen vor, wenn dies nicht der Fall ist:

- ◆ Lösen Sie die Sicherungsklemme (16) der Höheneinstellung.
- ◆ Drehen Sie das Rohr (7) gegen den Uhrzeigersinn.
- ◆ Schließen Sie die Sicherungsklemme (16) der Höheneinstellung, wenn sich der Kopf in der richtigen Position befindet.

Hinweis: Das Rohr lässt sich nur in eine Richtung drehen.

Ein- und Ausschalten

- ◆ Drücken Sie zum Einschalten des Gerätes den Ein-/Ausschalter (1).
- ◆ Zum Ausschalten des Geräts lassen Sie den Ein-/Ausschalter wieder los.

Achtung! Versuchen Sie niemals, den Ein-/Ausschalter in der Einschaltstellung zu arretieren.

Hinweise für optimale Arbeitsergebnisse

Allgemeine Hinweise

- Um optimale Schneideergebnisse zu erzielen, sollten Sie nur trockenen Rasen beschneiden.

Trimmen

- Halten Sie das Gerät wie in Abb. K dargestellt.
- Führen Sie den Trimmer mit langsamen Schwenkbewegungen hin und her.
- Schneiden Sie hohes Gras in Zwischenschritten bis zur gewünschten Länge. Schneiden Sie stets nur geringe Längen.
- Halten Sie das Gerät von harten Gegenständen und empfindlichen Pflanzen fern.
- Der Schneidfaden nutzt sich schneller ab und muss häufiger erneuert werden, wenn Schneidarbeiten entlang Gehwegen oder anderen rauen Untergründen ausgeführt werden oder dichtes Unkraut geschnitten wird.
- Verringern Sie die Belastung, wenn das Gerät sich verlangsamt.

Kanten

Optimale Ergebnisse werden bei Kanten erzielt, die tiefer als 50 mm sind.

- Dieses Gerät ist nicht zum Stechen von Kanten geeignet. Verwenden Sie zu diesem Zweck einen Kantenspaten.
- Führen Sie das Gerät auf dem Rad wie in Abb. L dargestellt.
- Neigen Sie das Gerät leicht, um einen kürzeren Beschnitt zu erzielen.

Einsetzen einer neuen Schneidfadenspule (Abb. M und N)

Neue Schneidfadenspulen erhalten Sie im BLACK+DECKER Fachhandel (Katalognr. A6482). Schneidfadenspulen sind auch im Dreierpack erhältlich (Katalognr. A6486).

- Ziehen Sie den Netzstecker des Geräts.
- Nehmen Sie bei heruntergedrückten Laschen (17) den Spulendeckel (21) vom Gehäuse (12) ab (Abb. M).
- Entfernen Sie die leere Spule (22) aus dem Spulendeckel.
- Entfernen Sie Verschmutzungen und Gras von dem Spulendeckel und dem -gehäuse.
- Lösen Sie das Ende des Schneidfadens und führen Sie ihn durch die Öse (23) (Abb. M). Der Faden sollte etwa 11 cm aus dem Spulendeckel herausragen.

Hinweis: Achten Sie darauf, dass sich der Faden nicht von der Spule abwickelt. Halten Sie ihn stets mit einer Hand fest.

- Stecken Sie eine neue Spule auf die Nabe im Spulendeckel. Drehen Sie die Spule leicht, bis sich diese in der richtigen Position befindet.
- Richten Sie die Laschen (17) der Spule an den Aussparungen (24) des Gehäuses (12) aus.
- Drücken Sie den Deckel auf das Gehäuse, bis dieser sicher einrastet.

Achtung! Wenn die Schneidfäden über das Fadenschneidmesser (11) hinausreichen, schneiden Sie sie entsprechend zu, sodass der Faden lediglich an das Messer heranreicht.

Einsetzen einer neuen HDL-Schneidfadenspule (Abb. O und P)

Neue HDL-Schneidfadenspulen im Zehnerpack erhalten Sie im BLACK+DECKER Fachhandel (Katalognr. A6489). Zum Einsetzen einer neuen HDL-Schneidfadenspule gehen Sie wie folgt vor:

- Ziehen Sie den Netzstecker des Geräts.
- Nehmen Sie bei heruntergedrückten Laschen (17) den Deckel der HDL-Spule (9) vom Gehäuse (12) ab.
- Entfernen Sie Verschmutzungen und Gras von dem Deckel und dem Gehäuse der HDL-Spule (9).
- Entfernen Sie den verbrauchten Fadenabschnitt aus dem Deckel der HDL-Spule (9).
- Führen Sie einen neuen Fadenabschnitt (20) durch die Ösen (27) auf beiden Seiten des Deckels der HDL-Spule.
- Setzen Sie die zentrale Klemmhülse (28) in der dargestellten Position ein (Abb. P).
- Setzen Sie den Deckel der HDL-Spule wieder auf.

Achtung! Verwenden Sie ausschließlich geeignete BLACK+DECKER Schneidfäden.

Problemebehebung

Beachten Sie folgende Hinweise, wenn das Gerät nicht richtig zu funktionieren scheint. Sollte sich das Problem nicht beheben lassen, wenden Sie sich an eine BLACK+DECKER Vertragswerkstatt in Ihrer Nähe.

Achtung! Ziehen Sie den Netzstecker, bevor Sie fortfahren.

Das Gerät läuft langsam

- Vergewissern Sie sich, dass sich das Spulengehäuse frei drehen kann. Reinigen Sie dieses ggf. sorgfältig.
- Stellen Sie sicher, dass der Schneidfaden nicht weiter als 11 cm aus dem Spulengehäuse herausragt. Schneiden Sie ggf. den Schneidfaden so zu, dass dieser lediglich bis an das Fadenschneidmesser reicht.

Die automatische Zuführung funktioniert nicht

- Nehmen Sie bei heruntergedrückten Laschen den Spulendeckel vom Gehäuse ab.
- Ziehen Sie den Schneidfaden heraus, bis dieser 11 cm aus dem Gehäuse herausragt. Bringen Sie eine neue Spule mit Schneidfäden wie oben angegeben an, wenn der Schneidfaden auf der Spule nicht mehr ausreicht.
- Richten Sie die Laschen der Spule an den Löchern des Gehäuses aus.
- Drücken Sie den Deckel auf das Gehäuse, bis dieser sicher einrastet.
- Schneiden Sie den Schneidfaden ggf. so zu, dass dieser lediglich bis an das Fadenschneidmesser heranreicht.

Versuchen Sie folgende Vorgehensweisen, wenn die automatische Zuführung weiterhin nicht funktioniert oder die Spule klemmt:

- Reinigen Sie sorgfältig Spulendeckel und Gehäuse.
- Entfernen Sie die Spule, und überprüfen Sie, ob sich der Hebel frei bewegen lässt.

- ◆ Entnehmen Sie die Spule, und wickeln Sie den Schneidfaden ab und anschließend sorgfältig, wie oben beschrieben, wieder auf. Ersetzen Sie die Spule gemäß dieser Anleitung.

Wartung

Ihr BLACK+DECKER Gerät (mit und ohne Netzkabel) wurde im Hinblick auf eine lange Lebensdauer und einen möglichst geringen Wartungsaufwand entwickelt. Ein dauerhafter, einwandfreier Betrieb setzt eine regelmäßige Pflege und Reinigung voraus. Das Ladegerät benötigt keine Wartung, es sollte jedoch regelmäßig gereinigt werden.

Achtung! Vor dem Ausführen jeglicher Wartungsarbeiten an Geräten mit und ohne Netzkabel:

- ◆ Schalten Sie das Gerät aus, und ziehen Sie den Netzstecker.
- ◆ Wenn das Gerät über einen separaten Batteriepack oder Akku verfügt, schalten Sie das Gerät ab, und entnehmen Sie die Batterien aus dem Gerät.
- ◆ Wenn der Akku integriert ist, entladen Sie diesen vor dem Abschalten vollständig.
- ◆ Ziehen Sie das Ladegerät aus der Netzsteckdose, bevor Sie es reinigen. Das Ladegerät benötigt keine Wartung, es sollte jedoch regelmäßig gereinigt werden.
- ◆ Reinigen Sie regelmäßig die Lüftungsschlitze des Geräts und des Ladegeräts mit einer weichen Bürste oder einem trockenen Tuch.
- ◆ Reinigen Sie das Motorgehäuse regelmäßig mit einem feuchten Tuch. Verwenden Sie keine scheuernden Reinigungsmittel oder Reinigungsmittel auf Lösungsmittelbasis.
- ◆ Reinigen Sie regelmäßig den Schneidfaden und die Spule mit Hilfe einer weichen trockenen Bürste oder eines trockenen Tuchs.
- ◆ Entfernen Sie mit einem stumpfen Schaber regelmäßig Gras und Erde von der Unterseite der Schutzvorrichtung.

Umweltschutz



Getrennte Entsorgung. Produkte und Batterien, die mit diesem Symbol gekennzeichnet sind, dürfen nicht im normalen Hausmüll entsorgt werden.

Produkte und Batterien enthalten Materialien, die zurückgewonnen oder recycelt werden können und die Nachfrage nach Rohstoffen reduzieren.

Bitte recyceln Sie Elektroprodukte und Batterien gemäß den lokalen Bestimmungen. Weitere Informationen finden Sie auf www.2helpU.com

Technische Daten

		GL7033	GL8033	GL9035
		Typ 1	Typ 1	Typ 1
Spannung	V _{ac}	230	230	230
Leistungsaufnahme	W	700	800	900
Leerlaufdrehzahl	min ⁻¹	7000	7000	7000
Gewicht	kg	3.2	3.2	3.2

Schalldruckpegel:
Schalldruck (L _{WA}) 81 dB(A), Unsicherheitsfaktor (K) 1.2 dB(A)
Schalleistung (L _{WA}) 95 dB(A), Unsicherheitsfaktor (K) 1.2 dB(A)
Gesamtvibration (Triax-Vektorsumme) gemäß EN 50636-2-91:
Vibrationsemissionswert (a) 8.2 m/s ² , Unsicherheitsfaktor (K) 1.5 m/s ²

EG-Konformitätserklärung

**MASCHINENRICHTLINIE
AUSSENLAUTSTÄRKERICHTLINIE**



GL7033/GL8033/GL9035 - Rasentrimmer

Black & Decker erklärt, dass die in den technischen Daten beschriebenen Geräte übereinstimmen mit:

2006/42/EC, EN60335-1:2012 + A11:2014 + A13:2017 + A1:2019 + A14:2019 + A2:2019, EN50636-2-91:2014.

2000/14/EG, Rasentrimmer, L < 50 cm, Annex VI,

DEKRA Testing and Certification GmbH,
Handwerkstraße 15, 70565 Stuttgart

Adresse organisme de certification

Dinnendahlstr. 9, 44809 Bochum, Allemagne
Numéro d'identification de l'organisme : 0158
L_{WA} (gemessener Schalleistungswert) 84 dB(A),
Unsicherheitsfaktor (K) = 1,2 dB(A)

L_{WA} (garantierte Schalleistung) 96 dB(A).

Diese Produkte entsprechen außerdem den Richtlinien 2014/30/EU, 2011/65/EU. Weitere Informationen erhalten Sie von Black & Decker unter der folgenden Adresse. Diese befindet sich auch auf der Rückseite dieser Anleitung.

Der Unterzeichnete ist verantwortlich für die Zusammenstellung der technischen Daten und gibt diese Erklärung im Namen von Black & Decker ab.

Patrick Diepenbach

Patrick Diepenbach
General Manager, Benelux
Black and Decker,
Egide Walschaertsstraat 14-18
2800 Mechelen, Belgium
15.06.2021

Garantie

Black & Decker vertraut auf die Qualität der eigenen Geräte und bietet dem Käufer eine außergewöhnliche Garantie von 24 Monaten ab Kaufdatum. Diese Garantie versteht sich unbeschadet der gesetzlichen Gewährleistungsansprüche und schränkt diese keinesfalls ein. Diese Garantie gilt innerhalb der Staatsgebiete der Mitgliedstaaten der Europäischen Union und der Europäischen Freihandelszone. Zur Inanspruchnahme dieser Garantie muss sie den allgemeinen Geschäftsbedingungen von Black&Decker entsprechen und dem Verkäufer bzw. der Vertragswerkstatt ist ein Kaufnachweis vorzulegen.

Die Bedingungen für die 2-jährige Garantie von Black&Decker und den Standort Ihrer nächstgelegenen Vertragswerkstatt finden Sie im Internet unter www.2helpU.com oder indem Sie sich an die lokale Black&Decker-Niederlassung wenden, deren Adresse Sie in dieser Anleitung finden.

Ihr neues Black & Decker Produkt können Sie auf unserer Website unter www.blackanddecker.de registrieren. Dort erhalten Sie auch Informationen über neue Produkte und Sonderangebote.

Utilisation

Votre GL7033, GL8033, GL8035 - Taille-bordures BLACK+DECKER est conçu pour la coupe et la finition des bordures de pelouse ainsi que pour couper l'herbe dans les espaces restreints. Cet outil est destiné à une utilisation exclusivement domestique.

Consignes de sécurité

Attention ! L'utilisation d'appareils alimentés sur secteur implique le respect de certaines précautions de sécurité élémentaires, y compris les suivantes, afin de réduire les risques d'incendie, d'électrocution, de blessures corporelles et de dégâts matériels.

Attention ! Les consignes de sécurité doivent être respectées pendant l'utilisation. Pour votre propre sécurité ainsi que celle des personnes présentes à proximité, lisez ces instructions avant d'utiliser l'outil. Veuillez conserver les instructions pour un usage ultérieur.

- ◆ Avant d'utiliser l'appareil, lisez attentivement ce manuel dans son intégralité.
- ◆ Ce manuel décrit la manière d'utiliser cet outil. L'utilisation d'un accessoire ou d'une fixation, ou bien l'utilisation de cet appareil à d'autres fins que celles recommandées dans ce manuel d'instruction peut présenter un risque de blessures.
- ◆ Gardez ce manuel pour référence ultérieure.

Utilisation de votre appareil

Prenez toutes les précautions nécessaires pour l'utiliser.

- ◆ Portez toujours des lunettes de sécurité ou de protection.

- ◆ Interdisez l'utilisation de l'appareil aux enfants et autres personnes non familiarisées avec les instructions.
- ◆ Ne laissez pas les enfants ou les animaux s'approcher de la zone de travail ou toucher l'appareil ou le fil électrique.
- ◆ L'utilisation de l'appareil à proximité d'enfants nécessite une étroite surveillance.
- ◆ Cet appareil n'est pas destiné à être utilisé par des personnes jeunes ou déficientes sans surveillance.
- ◆ Cet appareil ne doit pas être utilisé comme jouet.
- ◆ Utilisez cet appareil uniquement dans la journée ou avec un éclairage artificiel approprié.
- ◆ Il doit toujours être utilisé dans des endroits secs et ne doit être mouillé en aucun cas.
- ◆ Ne plongez pas l'appareil dans l'eau.
- ◆ N'ouvrez pas le boîtier. Les pièces à l'intérieur ne sont pas réparables par l'utilisateur.
- ◆ N'utilisez pas l'appareil dans un environnement présentant des risques d'explosion, notamment en présence de liquides, gaz ou poussières inflammables.
- ◆ Pour limiter le risque d'endommagement des prises ou des fils électriques, ne débranchez jamais l'appareil en tirant sur le câble.

Sécurité des personnes

- ◆ Cet appareil peut être utilisé par des enfants âgés de 8 ans ou plus et des

personnes ayant des déficiences physiques, mentales ou sensorielles. Cette consigne s'applique aux personnes ayant reçu les instructions appropriées d'utilisation fiable et ayant connaissance des dangers existants. Afin d'éviter que les enfants jouent avec cet appareil, ne les laissez pas sans surveillance. Les enfants ne peuvent en aucun cas assurer le nettoyage et la maintenance sans surveillance.

- Ne laissez jamais les enfants sans surveillance pour éviter qu'ils ne jouent avec cet outil.

Risques résiduels

L'utilisation d'un outil non mentionné dans les consignes de sécurité données peut entraîner des risques résiduels supplémentaires. Ces risques peuvent survenir si l'appareil est mal utilisé, si l'utilisation est prolongée, etc.

Malgré l'application des normes de sécurité correspondantes et la présence de dispositifs de sécurité, les risques résiduels suivants ne peuvent être évités. Ceci comprend :

- Les blessures dues au contact avec une pièce mobile/en rotation.
- Les blessures causées en changeant des pièces, lames ou accessoires.
- Les blessures dues à l'utilisation prolongée d'un outil. L'utilisation prolongée d'un outil nécessite des pauses régulières.
- Déficience auditive.
- Risques pour la santé causés par l'inhalation de poussières produites

pendant l'utilisation de l'outil (exemple : travail avec du bois, surtout le chêne, le hêtre et les panneaux en MDF).

Après l'utilisation

- Quand il n'est pas utilisé, l'appareil doit être rangé dans un endroit suffisamment aéré, sec et hors de portée des enfants.
- Rangez les appareils hors de portée des enfants.
- Quand l'appareil est rangé ou transporté dans un véhicule, il doit être installé dans le coffre ou correctement calé pour éviter les mouvements dus aux changements de direction ou de vitesse.

Vérification et réparations

- Avant d'utiliser l'appareil, vérifiez si aucune pièce n'est endommagée ou défectueuse. Recherchez des pièces cassées et d'autres anomalies susceptibles de nuire au bon fonctionnement de l'appareil.
- N'utilisez pas l'appareil si une pièce est endommagée ou défectueuse.
- Faites réparer ou remplacer les pièces défectueuses ou endommagées par un réparateur agréé.
- Ne tentez jamais de retirer ou de remplacer des pièces autres que celles indiquées dans ce manuel.

Consignes de sécurité supplémentaires pour le taille-bordures

Attention ! Les éléments de coupe continuent de tourner juste après la mise hors tension du moteur.

- ◆ Familiarisez-vous avec les commandes et la manière appropriée d'utiliser l'appareil.
- ◆ Avant l'utilisation, vérifiez l'état du fil électrique et de la rallonge (dommages, usures et vieillissement). Si un câble est endommagé pendant l'utilisation, débranchez immédiatement l'appareil. **NE TOUCHEZ PAS LE CÂBLE AVANT DE L'AVOIR DEBRANCHÉ.**
- ◆ N'utilisez pas l'appareil lorsque les câbles sont endommagés ou défectueux.
- ◆ Portez des chaussures épaisses pour protéger vos pieds.
- ◆ Portez un pantalon pour protéger vos jambes.
- ◆ Avant de commencer, retirez les bâtons, cailloux, câbles et autres corps étrangers de la zone à couper.
- ◆ N'utilisez l'appareil que verticalement avec le fil de coupe au niveau du sol. Ne démarrez jamais l'appareil dans une autre position.
- ◆ Déplacez-vous lentement pendant l'utilisation de l'appareil. N'oubliez pas que l'herbe fraîchement coupée est glissante.
- ◆ Ne travaillez pas sur des pentes trop raides. Ne travaillez jamais de haut en bas.
- ◆ Ne traversez jamais des passages recouvert de gravier quand l'appareil fonctionne.
- ◆ Ne touchez jamais le fil de coupe quand l'appareil fonctionne.
- ◆ Ne posez pas l'appareil avant l'arrêt complet du fil de coupe.
- ◆ N'utilisez que le type de fil de coupe approprié. N'utilisez jamais un fil de coupe en métal ou un fil de pêche.
- ◆ Prenez les précautions nécessaires pour ne pas toucher la lame.
- ◆ Prenez les précautions nécessaires pour que le câble secteur soit éloigné du fil de coupe. Vérifiez toujours la position du câble.
- ◆ Gardez toujours les pieds et les mains éloignés du fil de coupe particulièrement au démarrage du moteur.
- ◆ Avant d'utiliser l'appareil et après un choc, recherchez des signes d'usure ou de dommages et réparez, le cas échéant.
- ◆ Ne faites jamais fonctionner l'appareil avec des protections endommagées ou sans protection.
- ◆ Prenez les précautions nécessaires pour éviter de vous blesser avec les dispositifs de réglage du fil. Une fois le nouveau fil de coupe tiré, avant de remettre l'appareil en marche, replacez-le en position normale de fonctionnement.
- ◆ Aucun débris ne doit se trouver sur les aérations.
- ◆ N'utilisez pas le taille-bordures lorsque les câbles sont endommagés ou défectueux.
- ◆ Éloignez les rallonges des éléments

de coupe.

Sécurité électrique



Cet appareil est doublement isolé. Par conséquent, aucun câble de mise à la terre n'est nécessaire. Assurez-vous toujours que la tension de l'alimentation secteur correspond à celle mentionnée sur la plaque signalétique de l'outil.

- ◆ Si le câble d'alimentation est endommagé, il doit être remplacé par le fabricant ou par un Centre de réparation agréé BLACK+DECKER afin d'éviter tout accident.
- ◆ Utilisez un dispositif de courant résiduel à grande sensibilité, 30 mA (RCD) pour améliorer la sécurité électrique.

Étiquettes apposées sur l'appareil

Les symboles d'avertissement suivants sont présents sur l'appareil en même temps que le code de date:



Lisez le manuel avant la mise en marche.



Portez toujours des lunettes de sécurité pour utiliser cet appareil.



Portez toujours des protections auditives appropriées pour utiliser cet appareil.



Débranchez toujours la prise du courant avant de vérifier un câble endommagé. N'utilisez pas votre taille-bordures si un câble est endommagé.



Attention aux projections. Éloignez toute personne des zones de découpe.



N'exposez pas l'appareil à la pluie ou à l'humidité.



Normes 2000/14/CE, puissance sonore garantie.

Fonctionnalités

Cet appareil présente la totalité ou une partie des caractéristiques suivantes :

1. Interrupteur marche/arrêt
2. Poignée
3. Dispositif de fixation du câble
4. Prise d'entrée électrique
5. Deuxième poignée
6. Bouton de réglage
7. Tube
8. Dispositif de rangement de bobine de rechange
9. Bobine HDL
10. Protection
11. Lame de taille
12. Boîtier de bobine
13. Fil de coupe
14. Guide de bordure

Assemblage

Attention ! Avant l'assemblage, assurez-vous que l'outil est hors tension et débranché.

Fixation de la protection (figures A et B)

- ◆ Retirez la vis (15) de la protection (10).
- ◆ Placez la protection (10) sur l'outil comme indiqué.
- ◆ Appuyez fermement sur la protection jusqu'à l'enclenchement.
- ◆ Fixez la protection avec la vis.
- ◆ Serrez la vis.

Attention ! N'utilisez jamais l'outil si la protection n'est pas correctement installée.

Fixation de la deuxième poignée (figure C)

- ◆ Appuyez de manière prolongée sur le bouton de réglage (6) qui se trouve sur le côté du corps de l'appareil.
- ◆ Glissez la deuxième poignée (5) sur le bouton de réglage (6).

Attention ! Assurez-vous que les dents sur le bouton sont correctement alignées dans les rainures de la poignée et que la poignée est bien fixée.

Réglage de la position de la deuxième poignée (figure D)

La deuxième poignée (5) peut être réglée pour offrir un maximum de confort et d'équilibre.

- ◆ Appuyez sur le bouton de réglage (6) qui se trouve sur le côté gauche de la poignée.
- ◆ Tournez la deuxième poignée (5) dans la position requise.
- ◆ Relâchez le bouton de réglage (6).

Attention ! Assurez-vous que les dents sur le bouton sont correctement alignées dans les rainures de la poignée et que la poignée est bien fixée.

Réglage de la hauteur de l'outil (figures E et F)

Cet outil est doté d'un mécanisme télescopique qui permet de régler l'outil à une hauteur confortable. Il y a plusieurs hauteurs de réglage.

Pour régler la hauteur, effectuez ce qui suit :

- ◆ Relâchez la pince de verrouillage de réglage de hauteur (16).
- ◆ Tirez le tube (7) vers le haut ou vers le bas et sans forcer pour atteindre la hauteur désirée.
- ◆ Fermez la pince de verrouillage de réglage de hauteur (16).

Dégagement du fil de coupe

Pendant le transport, le fil de coupe est scotché sur le boîtier de la bobine.

Attention ! Avant l'assemblage, retirez la batterie de l'outil.

- ◆ Retirez le scotch fixant le fil de coupe sur le boîtier de la bobine (12).

Rangement de la bobine non utilisée (figure G)

L'outil a deux systèmes de coupe :

- ◆ **AFS** : Auto-alimentation d'un seul fil pour les petits travaux de taille.
- ◆ **HDL** : Système avec deux fils pour travaux difficiles dans les zones envahies de végétation.

Remarque : La bobine HDL ne peut être utilisée que pour tailler.

Le système de coupe non utilisé peut être placé dans le dispositif de rangement pour bobine de rechange (GL8033 et GL9035 uniquement).

- ◆ Alignez les pattes (17) sur le cache-bobine avec les trous (18) dans le dispositif de rangement de bobine de rechange (8).
- ◆ Enclenchez le cache sur le dispositif de rangement de la bobine de rechange.

Branchement de l'outil au secteur (figure H)

- ◆ Branchez la rallonge à la prise (4).
- ◆ Entourez le câble dans le dispositif de fixation (3).
- ◆ Branchez la prise secteur.

Pour le branchement, vérifiez que le câble est entouré sur la fixation avant de brancher la prise au secteur.

Attention ! La rallonge doit être compatible avec une utilisation à l'extérieur.

Utilisation

Attention ! Laissez l'outil fonctionner à sa propre vitesse. Ne le poussez pas au-delà de sa limite.

Réglage en mode taille ou en mode bordure (figures I et J)

L'outil peut être utilisé en mode taille, comme indiqué figure I ou en mode bordure pour égaliser l'herbe qui dépasse le long des pelouses et des parterres de fleurs, comme indiqué figure J.

Mode taille (figure I)

Pour tailler, le bloc doit être dans la position indiquée figure I. Si ce n'est pas le cas :

- ◆ Relâchez la pince de verrouillage de réglage de hauteur (16).

- ◆ Tournez le tube (7) dans le sens des aiguilles d'une montre.
- ◆ Quand le bloc est en place, fermez la pince de verrouillage de réglage de hauteur (16).

Remarque : Le tube ne tourne que dans une direction.

Remarque : La bobine HDL peut être utilisée en mode de taille.

Mode bordure (figure J)

Pour tailler les bordures, le bloc doit être dans la position indiquée figure J. Si ce n'est pas le cas :

- ◆ Relâchez la pince de verrouillage de réglage de hauteur (16).
- ◆ Tournez le tube (7) dans le sens inverse des aiguilles d'une montre.
- ◆ Quand le bloc est en place, fermez la pince de verrouillage de réglage de hauteur (16).

Remarque : Le tube ne tourne que dans une direction.

Mise en marche et arrêt

- ◆ Pour mettre l'outil en marche, appuyez sur le bouton marche/arrêt (1).
- ◆ Pour arrêter l'outil, relâchez le déclencheur.

Attention ! N'essayez jamais de bloquer le déclencheur en position marche.

Conseils pour une utilisation optimale

Généralités

- ◆ Pour obtenir les meilleurs résultats, l'herbe doit être sèche.

Taille

- ◆ Tenez l'outil comme indiqué, figure K.
- ◆ Balancez légèrement la taille-bordures d'un côté à l'autre.
- ◆ Pour l'herbe haute, coupez progressivement. Faites des petites coupes.
- ◆ Éloignez l'outil des plantes délicates et des objets durs.
- ◆ Le fil de coupe s'use rapidement et doit être changé plus souvent si la coupe est le long des trottoirs ou autres surfaces abrasives ainsi que pour la coupe de racines épaisses.
- ◆ Si l'outil commence à ralentir, réduisez la charge.

Taille de bordures

Pour obtenir les meilleurs résultats, les bordures doivent avoir une profondeur supérieure à 50 mm.

- ◆ N'utilisez pas cet outil pour créer des bordures. Pour les bordures, utilisez une bêche.
- ◆ Guidez l'outil, comme indiqué figure L.
- ◆ Pour effectuer une coupe précise, inclinez légèrement l'outil.

Installation d'une nouvelle bobine de fil de coupe (figures M et N)

Vous trouverez des bobines de fil de coupe chez votre revendeur BLACK+DECKER (cat. n° A6482). Des packs de trois bobines de fil de coupe sont aussi disponibles (cat. n° A6486).

- ◆ Débranchez l'outil.

- ◆ Appuyez sur les pattes (17) et retirez le cache-bobine (21) du boîtier (12) (figure M).
- ◆ Retirez la bobine vide (22) du cache-bobine.
- ◆ Éliminez la poussière et l'herbe du cache-bobine et du boîtier.
- ◆ Détachez l'extrémité du fil de coupe et guidez le fil dans l'oeillet (23) (figure M). Une longueur d'environ 11 cm de fil doit sortir du cache-bobine.

Remarque : Prenez les précautions nécessaires pour que le fil ne s'emmêle pas sur la bobine. Tenez-le en permanence fermement dans une main.

- ◆ Prenez une nouvelle bobine et poussez-la sur l'axe dans le cache-bobine. Tournez la bobine sans forcer jusqu'à ce qu'elle soit installée.
- ◆ Alignez les pattes (17) sur le cache-bobine avec les trous (24) sur le boîtier (12).
- ◆ Enclenchez le cache sur le boîtier.

Attention ! Si les fils de coupe dépassent de la lame (11), coupez-les pour qu'il soient au niveau de la lame.

Installation d'un nouveau morceau de fil de coupe pour travaux difficiles (figures O et P)

Les packs de rechange avec 10 fils de coupe pour travaux difficiles sont disponibles chez votre revendeur BLACK+DECKER (cat. n° A6489).

Pour placer un nouveau morceau de fil de coupe, effectuez ce qui suit :

- ◆ Débranchez l'outil.
- ◆ Appuyez sur les pattes (17) et retirez le cache HDL (9) du boîtier (12).
- ◆ Éliminez la poussière et l'herbe du cache HDL (9) et du boîtier.
- ◆ Retirez le morceau du fil usé sur le cache HDL (9).
- ◆ Passez un nouveau morceau de fil (20) dans les oeillets (27) sur un des côtés du cache HDL.
- ◆ Mettez la virole (28) dans la position indiquée (figure P).
- ◆ Ré-installez le cache HDL.

Attention ! Seul le type de fil de coupe BLACK+DECKER approprié doit être utilisé.

Dépannage

Si l'outil ne fonctionne pas, suivez les instructions ci-dessous. Si le problème n'est pas résolu, veuillez contacter votre réparateur local BLACK+DECKER.

Attention ! Débranchez l'outil avant de commencer.

Fonctionnement lent

- ◆ Vérifiez le mouvement de rotation du boîtier de bobine. Nettoyez-le, le cas échéant.
- ◆ Assurez-vous que le fil de coupe ne dépasse pas de plus de 11 cm du boîtier de la bobine. Si c'est le cas, coupez-le pour qu'il soit au niveau de la lame.

Problème de déroulement automatique du fil

- ◆ Appuyez sur les pattes et retirez le cache-bobine du boîtier.
- ◆ Tirez sur le fil de coupe jusqu'à ce qu'il dépasse de 11 cm du boîtier. S'il n'y a pas assez de fil dans la bobine, installez une nouvelle bobine, en suivant le processus

ci-dessus.

- ◆ Alignez les pattes sur le cache-bobine avec les trous sur le boîtier.
- ◆ Enclenchez le cache sur le boîtier.
- ◆ Si le fil de coupe dépasse de la lame, coupez-le pour qu'il soit au niveau de la lame.

Si le déroulement automatique du fil ne fonctionne pas ou si la bobine est emmêlée, effectuez ce qui suit :

- ◆ Nettoyez avec précaution le cache-bobine et le boîtier.
- ◆ Retirez la bobine et vérifiez le mouvement du levier.
- ◆ Retirez la bobine et déroulez le fil de coupe, puis rembobinez-le correctement, comme décrit plus haut. Remplacez la bobine, comme indiqué.

Entretien

Votre appareil/outil sans fil/avec fil BLACK+DECKER a été conçu pour fonctionner pendant longtemps avec un minimum d'entretien. Un fonctionnement continu satisfaisant dépend d'un nettoyage régulier et d'un entretien approprié de l'appareil/outil.

Aucun entretien particulier n'est nécessaire pour le chargeur en dehors du nettoyage régulier.

Attention ! À ne pas oublier avant l'entretien des appareils électriques sans fil/avec fil :

- ◆ Arrêtez l'appareil/outil, puis débranchez-le.
- ◆ Ou, arrêtez l'appareil et retirez la batterie de l'appareil/outil si celui-ci est muni d'un bloc-batterie séparé.
- ◆ Ou bien déchargez complètement la batterie si elle est intégrée au système, puis arrêtez l'appareil (position Off).
- ◆ Débranchez le chargeur avant de le nettoyer. Aucun entretien particulier n'est nécessaire pour le chargeur en dehors du nettoyage régulier.
- ◆ Nettoyez régulièrement les orifices de ventilation de votre appareil/outil/chargeur à l'aide d'une brosse souple ou d'un chiffon sec.
- ◆ Nettoyez régulièrement le compartiment du moteur à l'aide d'un chiffon humide. N'utilisez pas de produit abrasif ou à base de solvant.
- ◆ Nettoyez régulièrement le fil de coupe et la bobine à l'aide d'une brosse souple ou d'un chiffon sec.
- ◆ Utilisez régulièrement un racleur pour retirer l'herbe et les saletés sous la protection.

Protection de l'environnement



Tri sélectif. Les produits et batteries marqués de ce symbole ne doivent pas être jetés avec les déchets ménagers.

Les produits et batteries contiennent des matières qui peuvent être récupérées et recyclées afin de réduire la demande en matières premières.

Veuillez recycler les produits électriques et les batteries conformément aux dispositions locales en vigueur. Plus d'informations sont disponibles sur le site www.2helpU.com

Caractéristiques techniques

		GL7033 Type 1	GL8033 Type 1	GL9035 Type 1
Tension	V _{cc}	230	230	230
Puissance	W	700	800	900
Vitesse à vide	min ⁻¹	7000	7000	7500
Poids	kg	3.2	3.2	3.2

Patrick Diepenbach

Patrick Diepenbach
General Manager, Benelux
Black and Decker,
Egide Walschaertsstraat 14-18
2800 Mechelen, Belgique
15.06.2021
26/08/2021

Niveau de pression sonore :				
SPression sonore (L _{wa}) 81 dB(A), incertitude (K) 1.2 dB(A)				
Puissance sonore (L _{wa}) 95 dB(A), incertitude (K) 1.2 dB(A)				

Valeurs totales des vibrations (somme vectorielle triaxiale) selon la norme EN 50636-2-91				
:				
Valeur d'émission de vibration (a) 8.2 m/s ² , incertitude (K) 1.5 m/s ²				

Déclaration de conformité CE

CONSIGNES DE MACHINERIE CONSIGNES NUISANCES SONORES EXTÉRIEURES



GL7033/GL8033/GL9035 - Taille-bordures

Black & Decker déclare que les produits décrits dans les "Caractéristiques techniques" sont conformes aux normes : 2006/42/EC, EN60335-1:2012 + A11:2014 + A13:2017 + A1:2019 + A14:2019 + A2:2019, EN50636-2-91:2014.

2000/14/CE, Coupe-bordure, L < 50 cm, Annexe VI,
DEKRA Testing and Certification GmbH,
Handwerkstraße 15, 70565 Stuttgart
Adresse organisme de certification

Dinnendahlstr. 9, 44809 Bochum, Allemagne
Numéro d'identification de l'organisme : 0158

L_{wa} (Niveau de puissance sonore mesuré) 84 dB(A),
Incertitude (K) = 1,2 dB(A)

L_{wa} (puissance sonore garantie) 96 dB(A).

Ces produits sont également conformes aux Directives 2014/30/UE et 2011/65/UE.

Pour plus de précisions, veuillez contacter Black & Decker à l'adresse qui suit ou consulter la dernière page du présent manuel.

Le soussigné est responsable de la compilation du fichier technique et fait cette déclaration au nom de Black & Decker.

Garantie

Black & Decker assure la qualité de ses produits et offre une garantie* de 24 mois aux utilisateurs, à partir de la date d'achat. Cette garantie s'ajoute à vos droits légaux auxquels elle ne porte aucunement préjudice. Cette garantie est valable au sein des territoires des États membres de l'Union Européenne et au sein de la Zone européenne de libre-échange. Pour prétendre à la garantie, la réclamation doit être en conformité avec les conditions générales de Black & Decker et vous devez fournir une preuve d'achat au vendeur ou au réparateur agréé.

Les conditions générales de la garantie de 2 ans Black&Decker ainsi que l'adresse du réparateur agréé le plus proche sont disponibles sur le site Internet www.2helpU.com ou en contactant votre agence Black & Decker locale à l'adresse indiquée dans ce manuel.

Veuillez consulter notre site Internet www.blackanddecker.co.uk pour enregistrer votre nouveau produit Black & Decker et pour être tenu informé des nouveaux produits et offres spéciales.

Uso previsto

Il GL7033, GL8033, GL8035 - Decespugliatore tagliabordi BLACK+DECKER è stato progettato per tagliare e rifinire i bordi dei prati e per tosare l'erba in spazi ristretti. Questo elettroutensile è stato progettato solo per uso individuale.

Istruzioni di sicurezza

Avvertenza! Quando si usano elettroutensili alimentati elettricamente, osservare sempre le normali precauzioni di sicurezza per ridurre il rischio di incendio, scosse elettriche, lesioni personali e danni materiali.

Avvertenza! Osservare i regolamenti di sicurezza quando si usa l'elettroutensile. Per la propria incolumità e quella degli osservatori, leggere queste istruzioni prima di usare l'elettroutensile. Conservare le istruzioni in un luogo sicuro per utilizzo futuro.

- ◆ Leggere attentamente il presente manuale prima di usare l'elettroutensile.
- ◆ L'uso previsto è descritto nel presente manuale. Se questo elettroutensile viene usato con accessori o per usi diversi da quelli raccomandati nel presente manuale d'uso, si potrebbero verificare lesioni personali.
- ◆ Conservare il presente manuale per futura consultazione.

Utilizzo dell'elettroutensile

Prestare sempre attenzione quando si usa l'elettroutensile.

- ◆ Indossare sempre occhiali di sicurezza.
- ◆ Vietare l'uso dell'elettroutensile a bambini e ad adulti che non abbiano letto il presente manuale.
- ◆ Vietare a bambini o ad animali di av-

vicinarsi all'area di lavoro o di toccare l'elettroutensile o il filo di alimentazione.

- ◆ Prestare la massima attenzione quando si usa l'elettroutensile vicino ai bambini.
- ◆ L'utilizzo di questo elettroutensile non è destinato a ragazzi o persone inferme senza supervisione.
- ◆ Questo elettroutensile non deve essere usato come un giocattolo.
- ◆ Usare l'elettroutensile solo alla luce del giorno o con una buona luce artificiale.
- ◆ Usare solo in un luogo asciutto. Evitare che l'elettroutensile si bagni.
- ◆ Non immergere l'elettroutensile in acqua.
- ◆ Non aprire il corpo dell'elettroutensile, dato che al suo interno non vi sono componenti riparabili.
- ◆ Evitare di impiegare questo elettroutensile in ambienti esposti al rischio di esplosione, ad esempio in presenza di liquidi, gas o polveri infiammabili.
- ◆ Per ridurre il rischio di danni a spine o fili, non tirare mai il filo per scollegare la spina da una presa.

Sicurezza altrui

- ◆ Questo elettroutensile può essere usato da bambini dagli 8 anni in su e da persone portatrici di handicap fisici, psichici o sensoriali o che non abbiano la dovuta esperienza o conoscenza, sempre che siano seguite o opportunamente istruite sull'uso sicuro e comprendano i pericoli inerenti.

I bambini non devono giocare con l'elettrodomestico. Gli interventi di pulizia e di manutenzione da parte dell'utente non devono essere eseguiti da bambini senza supervisione.

- ◆ Controllare che i bambini non giochino con l'elettrotensile.

Rischi residui

Quando si usa l'elettrotensile, possono esservi altri rischi residui che possono non essere stati contemplati negli avvisi di sicurezza allegati. Tali rischi possono sorgere a seguito di un uso prolungato o improprio, ecc.

Perfino adottando gli appositi regolamenti di sicurezza e utilizzando i dispositivi di sicurezza, certi rischi residui non possono essere evitati. Essi comprendono:

- ◆ Lesioni causate o subite a seguito del contatto con parti rotanti/in movimento.
- ◆ Lesioni causate o subite durante la sostituzione di parti, lame o accessori.
- ◆ Lesioni causate dall'impiego prolungato di un elettrotensile. Quando si usa qualsiasi elettrotensile per lunghi periodi, accertarsi di fare regolarmente delle pause.
- ◆ Problemi di udito.
- ◆ Rischi per la salute causati dall'aspirazione di polvere generata dall'utilizzo dell'elettrotensile (ad esempio quando si lavora con il legno, in modo particolare quello di quercia, faggio o l'MDF.)

Dopo l'impiego

- ◆ Quando non viene usato,

l'elettrotensile deve essere conservato in un luogo asciutto e ben ventilato, fuori dalla portata dei bambini.

- ◆ Gli elettrotensili non devono essere riposti alla portata dei bambini.
- ◆ Se viene conservato o trasportato in un veicolo, l'elettrotensile deve essere messo nel bagagliaio o legato per evitare che si sposti in caso di cambiamento repentino della velocità o della direzione di marcia.

Ispezione e riparazioni

- ◆ Prima dell'impiego, controllare che l'elettrotensile non sia danneggiato e non presenti parti difettose. Controllare che non vi siano parti rotte o altre condizioni che potrebbero avere ripercussioni sulle prestazioni.
- ◆ Non usare l'elettrotensile se alcune parti sono danneggiate o difettose.
- ◆ Far riparare o sostituire le parti danneggiate o difettose da un tecnico autorizzato.
- ◆ Non tentare di smontare o sostituire qualsiasi parte ad eccezione di quelle specificate nel presente manuale.

Altre precauzioni di sicurezza per i decespugliatori tagliabordi

Avvertenza! I fili da taglio continuano a girare dopo lo spegnimento del motore.

- ◆ Imparare bene i comandi e come usare in modo appropriato l'elettrotensile.
- ◆ Prima dell'uso, controllare che il filo di alimentazione e il cavo di prolunga

non presentino segni di danni, invecchiamento e usura. Se il filo di alimentazione subisce danni durante l'uso, scollegarlo immediatamente dalla presa di corrente. **NON TOCCARE IL FILO DI ALIMENTAZIONE PRIMA DI AVERLO SCOLLEGATO DALLA PRESA DI CORRENTE.**

- ◆ Non usare l'elettrotensile se i fili di alimentazione sono danneggiati o usurati.
- ◆ Indossare scarpe o stivali robusti per proteggere i piedi.
- ◆ Indossare calzoncini lunghi per proteggere le gambe.
- ◆ Prima di iniziare a usare l'elettrotensile, controllare che lungo il percorso in cui si deve lavorare, non vi siano bastoncini, pietre, fili elettrici e altri ostacoli.
- ◆ Usare l'elettrotensile solo in posizione verticale e con il filo da taglio vicino a terra. Non spegnere mai l'elettrotensile in qualsiasi altra posizione.
- ◆ Spostarsi lentamente quando si usa l'elettrotensile. Ricordare che l'erba appena tagliata è umida e sdruciolevole.
- ◆ Non lavorare su pendii ripidi. Lavorare trasversalmente su di un pendio e mai procedendo verticalmente in su e in giù.
- ◆ Non attraversare mai strade o sentieri coperti di ghiaia con l'elettrotensile acceso.
- ◆ Non toccare mai il filo da taglio quando

l'elettrotensile è acceso.

- ◆ Non appoggiare a terra l'elettrotensile fino a quando il filo da taglio non si è completamente fermato.
- ◆ Usare solo il corretto tipo di filo da taglio. Non usare mai filo da taglio in metallo o una lenza.
- ◆ Prestare attenzione a non toccare la lama di trancitura del filo.
- ◆ Prestare attenzione a tenere sempre lontano il filo di alimentazione da quello da taglio. Essere sempre consapevoli di dove si trova il filo di alimentazione.
- ◆ Tenere sempre mani e piedi lontani dal filo da taglio, in modo particolare quando si accende il motore.
- ◆ Prima di usare l'elettrotensile e dopo ogni impatto, controllare che non vi siano segni di usura o danni e riparare come richiesto.
- ◆ Non far mai funzionare l'elettrotensile con le protezioni danneggiate o smontate.
- ◆ Proteggersi da eventuali lesioni che potrebbero essere causate dai dispositivi montati per la trancitura di una lunghezza di filo da taglio. Dopo aver srotolato una nuova lunghezza di filo da taglio, riportare sempre l'elettrotensile nella normale posizione di funzionamento prima di accenderlo.
- ◆ Verificare sempre che le fessure di ventilazione siano mantenute pulite e prive di impurità.
- ◆ Non usare il decespugliatore (tagli-

abordi) se i fili di alimentazione sono danneggiati o usurati.

- ◆ Tenere i cavi di prolunga lontano dagli elementi da taglio.

Sicurezza elettrica



Il doppio isolamento di cui è provvisto l'elettrotensile rende superfluo il filo di terra. Controllare sempre che l'alimentazione corrisponda alla tensione indicata sulla targhetta dei dati tecnici.

- ◆ In caso di danneggiamento del filo di alimentazione, è necessario farlo riparare dal fabbricante o presso un centro assistenza BLACK+DECKER autorizzato in modo da evitare eventuali pericoli.
- ◆ La sicurezza elettrica può essere ulteriormente aumentata utilizzando un dispositivo a corrente residua (RCD) ad alta sensibilità (30 mA).

Etichette sull'elettrotensile

I seguenti simboli di pericolo si trovano sull'apparecchio con il codice della data:



Leggere il manuale prima dell'utilizzo.



Indossare occhiali di sicurezza quando si usa l'elettrotensile.



Indossare otoprotezioni idonee quando si usa l'elettrotensile.



Estrarre sempre la spina dalla presa prima di ispezionare un filo di alimentazione danneggiato. Fare attenzione a non adoperare il tagliabordi se il filo di alimentazione è danneggiato.



Fare attenzione agli oggetti lanciati in aria. Tenere gli osservatori lontani dalla zona di taglio.



Non esporre l'elettrotensile alla pioggia o a un'umidità intensa.



Pressione sonora garantita in base alla direttiva 2000/14/CE.

Caratteristiche

Si indicano di seguito le caratteristiche di cui è dotato questo elettrotensile.

1. Interruttore di accensione
2. Impugnatura
3. Fernacavo
4. Spina
5. Seconda impugnatura
6. Pulsante di regolazione
7. Tubo
8. Porta bobina di scorta
9. Bobina HDL
10. Protezione
11. Lama di tranciatura filo
12. Alloggiamento bobina
13. Filo da taglio
14. Rotella per bordo

Montaggio

Attenzione! Prima di montare l'elettrotensile, assicurarsi che sia spento e scollegato dalla presa di corrente.

Montaggio della protezione (figg. A e B)

- ◆ Svitare la vite (15) dalla protezione (10).
- ◆ Posizionare la protezione (10) sull'elettrotensile come illustrato.
- ◆ Premere saldamente la protezione fino a quando si aggancia in sede.
- ◆ Fissare la protezione con la vite.
- ◆ Serrare la vite.

Attenzione! Non usare mai l'elettrotensile senza la protezione montata correttamente.

Montaggio dell'impugnatura secondaria (fig. C)

- ◆ Premere e tenere premuto il pulsante di regolazione (6) sul lato del corpo principale.
- ◆ Far scorrere in sede l'impugnatura secondaria (5) sopra il pulsante di regolazione (6).

Attenzione! Accertarsi che i denti sul pulsante siano allineati correttamente nelle fessure dell'impugnatura e che l'impugnatura sia ben salda..

Regolazione della posizione dell'impugnatura secondaria (fig. D)

L'impugnatura secondaria (5) può essere regolata per fornire l'equilibrio ottimale e il massimo comfort.

- ◆ Premere il pulsante di regolazione (6) sul lato sinistro del manico.

- ◆ Ruotare la seconda impugnatura (5) nella posizione desiderata.
- ◆ Rilasciare il pulsante di regolazione (6).

Attenzione! Accertarsi che i denti sul pulsante siano allineati correttamente nelle fessure dell'impugnatura e che l'impugnatura sia ben salda.

Regolazione dell'altezza dell'elettrotensile (figg. E e F)

Questo elettrotensile è dotato di meccanismo telescopico che ne consente la regolazione all'altezza più idonea. Sono possibili varie regolazioni dell'altezza.

Per regolare l'altezza, eseguire quanto descritto di seguito:

- ◆ Rilasciare il morsetto di serraggio per la regolazione dell'altezza (16).
- ◆ Far scorrere con attenzione il tubo (7) in su o in giù, fino a ottenere l'altezza desiderata.
- ◆ Chiudere il morsetto di serraggio per la regolazione dell'altezza (16).

Rilascio del filo da taglio

Durante il transito, il filo da taglio è fissato sull'alloggiamento della bobina con del nastro adesivo.

- ◆ Staccare il nastro adesivo che fissa il filo da taglio sull'alloggiamento della bobina (12).

Come conservare la bobina non usata (fig. G)

L'elettrotensile è dotato di due sistemi di taglio:

- ◆ **AFS:** Filo unico autoalimentato per il taglio leggero e la bordatura.
- ◆ **HDL:** Sistema di taglio a doppio filo per servizio gravoso per aree con vegetazione rigogliosa.

Nota: La bobina HDL può essere usata solo nella modalità di taglio.

Il sistema di taglio non usato può essere riposto nel porta bobina di scorta (solo GL8033 e GL9035).

- ◆ Allineare le linguette (17) sul coperchio della bobina alle sfinstre (18) nel porta bobina di scorta (8).
- ◆ Premere il coperchio sul porta bobina di scorta fino a quando si aggancia saldamente in sede.

Collegamento dell'elettrotensile alla presa di corrente (fig. H)

- ◆ Collegare la spina femmina di un cavo di prolunga idoneo alla presa di alimentazione (4).
- ◆ Far passare il cavo nel fermacavo (3).
- ◆ Inserire la spina in una presa di corrente.

Per elettrotensili dotati di filo di alimentazione: Accertarsi che il filo di alimentazione sia stato avvolto attorno al fermacavo prima di collegare la spina alla presa di corrente.

Avvertenza! Il cavo di prolunga deve essere idoneo all'impiego all'aperto.

Utilizzo

Attenzione! Lasciare che l'elettrotensile funzioni al suo ritmo. Non sovraccaricarlo.

Regolazione dell'elettrotensile sulla modalità di taglio o di bordatura (figg. I e J)

L'elettrotensile può essere usato nella modalità di taglio,

come illustrato in fig. I, o in quella di bordatura, per tagliare l'erba sporgente lungo i bordi del prato o delle aiuole, come illustrato in fig. J.

Modalità di taglio (fig. I)

Per eseguire il taglio, la testa di taglio deve trovarsi nella posizione illustrata in fig. I. In caso contrario:

- ◆ Rilasciare il morsetto di serraggio per la regolazione dell'altezza (16).
- ◆ Ruotare il tubo (7) in senso orario.
- ◆ Con la testa montata, chiudere il morsetto di serraggio per la regolazione dell'altezza (16).

Nota: Il tubo può ruotare solo in una direzione.

Nota: La bobina HDL può essere usata nella modalità di taglio.

Modalità di bordatura (fig. J)

Per eseguire la bordatura, la testa di taglio deve trovarsi nella posizione illustrata in fig. J. In caso contrario:

- ◆ Rilasciare il morsetto di serraggio per la regolazione dell'altezza (16).
- ◆ Ruotare il tubo (7) in senso antiorario.
- ◆ Con la testa montata, chiudere il morsetto di serraggio per la regolazione dell'altezza (16).

Nota: Il tubo può ruotare solo in una direzione.

Accensione e spegnimento

- ◆ Per accendere l'elettrotensile, premere la leva a grilletto (1).
- ◆ Per spegnere l'elettrotensile, rilasciare la leva a grilletto.

Attenzione! Non tentare mai di bloccare una leva a grilletto su acceso.

Consigli per un utilizzo ottimale

In generale

- ◆ Per ottenere i migliori risultati di taglio, tosare l'erba solo quando è asciutta.

Taglio

- ◆ Tenere l'elettrotensile così come indicato in fig. K.
- ◆ Far oscillare con attenzione il decespugliatore tagliabordi da un lato all'altro.
- ◆ Quando si taglia l'erba lunga, procedere in stadi partendo dalle punte. Eseguire dei tagli di piccola entità.
- ◆ Tenere l'elettrotensile lontano da oggetti duri e da piante delicate.
- ◆ Il filo da taglio si usura più rapidamente e deve essere alimentato più di frequente se la tosatura è eseguita lungo marciapiedi o altre superfici abrasive oppure se si stanno tagliando erbacce folte.
- ◆ Se l'elettrotensile comincia a funzionare lentamente, ridurre il carico.

Bordatura

Si otterranno i migliori risultati quando si tagliano bordi alti più di 50 mm.

- ◆ Non utilizzare l'elettrotensile per creare i bordi. Farlo usando una vanga per bordi.

- ◆ Manovrare l'elettrotensile sulle ruote così come indicato in fig. L.
- ◆ Per eseguire un taglio più ravvicinato, inclinare leggermente l'elettrotensile.

Montaggio di una nuova bobina del filo da taglio (figg. M e N)

Le bobine del filo da taglio di ricambio sono reperibili presso il rivenditore BLACK+DECKER (n. cat. A6482). Sono anche disponibili confezioni con 3 bobine di filo da taglio (n. cat. A6486).

- ◆ Scollegare l'elettrotensile dalla presa di corrente.
- ◆ Tenere premute le linguette (17) e staccare il coperchio della bobina (21) dall'alloggiamento (12) (fig. M).
- ◆ Estrarre la bobina vuota (22) dal relativo coperchio.
- ◆ Eliminare sporcizia ed erba dal coperchio e dall'alloggiamento della bobina.
- ◆ Sganciare l'estremità del filo da taglio e infilarla nell'occhiello (23) (fig. M). Il filo dovrebbe sporgere 11 cm circa dal coperchio della bobina.

Attenzione! Prestare attenzione a non lasciare che il filo sulla bobina si srotoli. Tenerlo sempre saldamente fermo con una mano.

- ◆ Prendere una nuova bobina e calzarla sul tronchetto nel coperchio della bobina. Ruotare leggermente la bobina fino a quando è insediata.
- ◆ Allineare le linguette (17) sul coperchio della bobina alle sfinestrature (24) nell'alloggiamento (12).
- ◆ Premere il coperchio sull'alloggiamento fino a quando si aggancia saldamente in sede.

Attenzione! Se i fili da taglio sporgono oltre la lama di trancitura (11), tagliarli in modo che raggiungano appena la lama.

Montaggio di una nuova bobina del filo da taglio per servizio gravoso (figg. O e P)

Le confezioni di 10 fili da taglio per servizio gravoso di ricambio, sono reperibili presso il rivenditore BLACK+DECKER (n. cat. A6489).

Per montare una nuova bobina del filo da taglio, procedere come indicato di seguito.

- ◆ Scollegare l'elettrotensile dalla presa di corrente.
- ◆ Tenere premute le linguette (17) e staccare il coperchio della bobina HDL (9) dall'alloggiamento (12)..
- ◆ Eliminare sporcizia ed erba dal coperchio della bobina HDL (9) e dall'alloggiamento.
- ◆ Togliere il pezzo di filo usato dal coperchio della bobina HDL (9).
- ◆ Infilarne un nuovo pezzo di filo (20) negli occhielli (27) da ambo i lati del coperchio della bobina HDL.
- ◆ Infilarne la ghiera centrale (28) nella posizione indicata (fig. P).
- ◆ Rimontare il coperchio della bobina HDL.

Attenzione! Usare solo il corretto tipo di filo da taglio BLACK+DECKER.

Ricerca guasti

Se l'elettrotensile non dovesse funzionare correttamente, seguire le istruzioni riportate di seguito. Se non è comunque possibile risolvere il problema, rivolgersi al tecnico BLACK+DECKER di zona.

Avvertenza! Prima di continuare, scollegare l'elettrotensile dalla presa di corrente.

L'elettrotensile funziona lentamente

- ◆ Controllare che l'alloggiamento della bobina possa ruotare liberamente. Pulirlo con attenzione se necessario.
- ◆ Controllare che il filo da taglio non sporga più di 11 cm dall'alloggiamento della bobina. In caso affermativo, tagliarlo in modo che raggiunga appena la lama di trancitura del filo da taglio.

Se l'alimentazione automatica del filo non funziona

- ◆ Tenere premute le linguette e staccare il coperchio della bobina dall'alloggiamento.
- ◆ Tirare il filo da taglio fino a quando sporge 11 cm dall'alloggiamento. Se sulla bobina è rimasta una quantità insufficiente di filo da taglio, montarne una nuova come descritto in precedenza.
- ◆ Allineare le linguette sul coperchio della bobina alle sfinestrature nell'alloggiamento.
- ◆ Premere il coperchio sull'alloggiamento fino a quando si aggancia saldamente in sede.
- ◆ Se il filo da taglio sporge oltre la lama di trancitura, tagliarlo in modo che raggiunga appena la lama.

Se l'alimentazione automatica del filo non funziona, oppure se la bobina è inceppata, provare uno dei seguenti suggerimenti:

- ◆ Pulire con attenzione il coperchio e l'alloggiamento della bobina.
- ◆ Rimuovere la bobina e controllare che la leva possa muoversi liberamente.
- ◆ Rimuovere la bobina e srotolare il filo da taglio e quindi avvolgerlo in modo ordinato come descritto in precedenza. Sostituire la bobina come da istruzioni.

Manutenzione

Questo apparecchio/elettrotensile BLACK+DECKER con o senza filo è stato progettato per funzionare a lungo con una manutenzione minima. Per ottenere prestazioni sempre soddisfacenti occorre avere cura dell'elettrotensile/apparecchio e sottoporlo a pulitura periodica.

Il caricabatterie non richiede nessuna manutenzione salvo una regolare pulitura.

Attenzione! Prima di eseguire interventi di manutenzione su elettrotensili con o senza filo, procedere come descritto di seguito.

- ◆ Spegnerne e scollegare l'apparecchio/elettrotensile dalla presa di corrente.
- ◆ Oppure spegnere ed estrarre la batteria se l'apparecchio/elettrotensile è dotato di battery pack a parte.
- ◆ Oppure scaricare completamente la batteria se è di tipo integrale e quindi spegnerlo.
- ◆ Scollegare il caricabatterie dalla presa di corrente prima di pulirlo. Il caricabatterie non richiede nessuna manutenzione salvo una regolare pulitura.
- ◆ Pulire regolarmente le prese di ventilazione dell'elettrotensile/apparecchio e del caricabatterie con un

pennello o con un panno morbido e asciutto.

- ◆ Il vano del motore deve essere pulito regolarmente con un panno umido. Non usare materiali abrasivi o detergenti a base di solventi.
- ◆ Pulire regolarmente il filo da taglio e la bobina con un pennello o un panno morbido e asciutto.
- ◆ Usare regolarmente un raschietto non affilato per eliminare erba e sporcizia dalla parte inferiore della protezione.

Protezione dell'ambiente



Raccolta differenziata. I prodotti e le batterie contrassegnati con questo simbolo devono essere smaltiti con i rifiuti domestici normali.

I prodotti e le batterie contengono materiali che possono essere recuperati o riciclati riducendo la richiesta di materie prime. Riciclare i prodotti elettrici e le batterie secondo le disposizioni locali. Ulteriori informazioni sono disponibili all'indirizzo www.2helpU.com

Dati tecnici

		GL7033 Tipo 1	GL8033 Tipo 1	GL9035 Tipo 1
Tensione	V _{cc}	230	230	230
Potenza assorbita	W	700	800	900
Regime a vuoto	min ⁻¹	7000	7000	7000
Peso	kg	3.2	3.2	3.2

Livello di pressione sonora:

Pressione sonora (L_{wa}) 81 dB(A), incertezza (K) 1.2 dB(A)

Potenza acustica (L_{wa}) 95 dB(A), incertezza (K) 1.2 dB(A)

Valori totali vibrazioni (somma vettoriale triassiale) in base a EN 50636-2-91:

Valore emissioni vibrazioni (a) 8.2 m/s², incertezza (K) 1.5 m/s²

Dichiarazione di conformità CE

DIRETTIVA SUI MACCHINARI
DIRETTIVA SULLA RUMOROSITÀ ESTERNA



GL7033/GL8033/GL9035 - Decespugliatore tagliabordi

Black & Decker dichiara che i prodotti qui descritti nella sezione "Dati tecnici" sono conformi alle normative:

2006/42/CE, EN60335-1:2012 + A11:2014 + A13:2017 + A1:2019 + A14:2019 + A2:2019, EN50636-2-91:2014.

2000/14/CE, Tagliabordi, L < 50 cm, Allegato VI,
DEKRA Testing and Certification GmbH,
Handwerkstraße 15, 70565 Stuttgart
Località Ente di certificazione
Dinnendahlstr. 9, 44809 Bochum, Germania

Ente notificato numero: 0158

L_{wa} (livello di potenza sonora misurata) 84 dB(A),
incertezza (K) = 1,2 dB(A)

L_{wa} (pressione sonora garantita) 96 dB(A).

Questi prodotti sono inoltre conformi alle direttive 2014/30/UE e 2011/65/UE.

Per ulteriori informazioni, contattare Black & Decker all'indirizzo seguente o vedere sul retro del manuale.

Il firmatario è responsabile della compilazione del documento tecnico e rende questa dichiarazione per conto di Black & Decker.

Patrick Diepenbach

Patrick Diepenbach
Direttore generale, Benelux
Black and Decker,
Egide Walschaertsstraat 14-18
2800 Mechelen, Belgio
15.06.2021

Garanzia

Black & Decker è sicura della qualità dei propri prodotti e offre ai consumatori una garanzia di 24 mesi dalla data di acquisto. Il presente certificato di garanzia è complementare ai diritti legali e non li pregiudica in alcun modo. La garanzia è valida sui territori degli stati membri dell'Unione Europea o dell'EFTA (Associazione europea di libero scambio). Per attivare la garanzia, il reclamo deve essere effettuato in accordo con i Termini e Condizioni Black & Decker e sarà necessario presentare la prova di acquisto al venditore o all'agente di riparazione autorizzato.

I Termini e condizioni della garanzia Black & Decker di 2 anni e la sede dell'agente di riparazione autorizzato più vicino sono consultabili su Internet all'indirizzo www.2helpU.com, o contattando l'ufficio Black & Decker di zona all'indirizzo indicato in questo manuale.

Visitare il nostro sito www.blackanddecker.co.uk per registrare il nuovo prodotto Black & Decker e ricevere gli aggiornamenti sui nuovi prodotti e le offerte speciali.

Beoogd gebruik

Uw BLACK+DECKER GL7033, GL8033, GL8035 - Trimmer is ontworpen voor het trimmen en afwerken van gazonranden en om gras te maaien in beperkte ruimte. Dit apparaat is uitsluitend bestemd voor consumentengebruik.

Veiligheidsinstructies

Waarschuwing! Bij apparaten voor gebruik op de netspanning moeten bepaalde elementaire voorzorgsmaatregelen, waaronder de navolgende, in acht worden genomen om het gevaar voor brand, elektrische schokken, persoonlijk letsel en materiële schade tot een minimum te beperken.

Waarschuwing! De veiligheidsregels moeten worden opgevolgd wanneer u het apparaat gebruikt. Lees voor uw eigen veiligheid en de veiligheid van omstanders deze instructies voordat u het apparaat gebruikt. Bewaar de instructies voor later gebruik.

- ♦ Lees deze handleiding zorgvuldig door voordat u het apparaat in gebruik neemt.
- ♦ In deze handleiding wordt ingegaan op het beoogde gebruik. Het gebruik van andere accessoires of hulpstukken dan wel de uitvoering van andere handelingen dan in deze gebruikershandleiding worden aanbevolen, kan tot persoonlijk letsel leiden.
- ♦ Bewaar deze handleiding zorgvuldig zodat u deze altijd nog eens kunt raadplegen.

Gebruik van het apparaat

Ga bij gebruik van het apparaat altijd

voorzichtig te werk.

- ♦ Gebruik altijd een veiligheidsbril of oogbescherming.
- ♦ Laat het apparaat nooit gebruiken door kinderen of door personen die onbekend zijn met de instructies voor het apparaat.
- ♦ Laat kinderen of dieren niet in de buurt van de werkomgeving komen, en evenmin het apparaat of netsnoer aanraken.
- ♦ Let extra goed op wanneer u het apparaat in de buurt van kinderen gebruikt.
- ♦ Dit apparaat mag niet zonder supervisie door jonge of lichamelijk zwakke mensen worden gebruikt.
- ♦ Dit apparaat mag niet als speelgoed worden gebruikt.
- ♦ Gebruik het apparaat alleen bij daglicht of goed kunstlicht.
- ♦ Gebruik het apparaat alleen in een droge locatie. Het apparaat mag niet nat worden.
- ♦ Dompel het apparaat niet onder in water.
- ♦ Open de behuizing niet. Het apparaat bevat geen onderdelen die door de gebruiker kunnen worden gerepareerd.
- ♦ Gebruik het apparaat niet in een omgeving met explosiegevaar, zoals in de nabijheid van brandbare vloeistoffen, gassen of stof.
- ♦ Haal de stekker nooit uit het stopcontact door aan de kabel te trekken. Zo voorkomt u beschadiging aan de stekker of de kabel.

Veiligheid van anderen

- Dit apparaat mag worden gebruikt door kinderen van 8 jaar en ouder en personen die lichamelijk of geestelijk minder valide zijn of die geen ervaring met of kennis van dit apparaat hebben, mits deze onder toezicht staan of instructies krijgen voor veilig manier gebruik van het apparaat en inzicht hebben in de mogelijke gevaren. Kinderen mogen niet met het apparaat spelen. Laat kinderen nooit zonder toezicht het apparaat schoonmaken of onderhouden.
- Houd toezicht op kinderen om ervoor te zorgen dat zij niet met het apparaat gaan spelen.

Overige risico's

Er kunnen zich tijdens het gebruik van het gereedschap ook andere risico's voordoen, die misschien niet in de bijgevoegde veiligheidswaarschuwingen worden vermeld. Deze risico's kunnen zich voordoen als gevolg van onoordeelkundig gebruik, langdurig gebruik, enz.

Zelfs als de veiligheidsvoorschriften in acht worden genomen en de veiligheidsvoorzieningen worden geïmplementeerd, kunnen bepaalde risico's niet worden vermeden. Deze omvatten:

- Verwondingen die worden veroorzaakt door het aanraken van draaiende of bewegende onderdelen.
- Verwondingen die worden veroorzaakt bij het vervangen van onderdelen, bladen of accessoires.
- Verwondingen die worden veroorzaakt

door langdurig gebruik van het gereedschap. Als u langere periodes met het gereedschap werkt, is het raadzaam om regelmatig een pauze in te lassen.

- Gehoorbeschadiging.
- Gezondheidsrisico's als gevolg van het inademen van stof dat door gebruik van het gereedschap wordt veroorzaakt (bijvoorbeeld tijdens het werken met hout, vooral eiken, beuken en MDF.)

Na gebruik

- Bewaar het apparaat na gebruik op een droge, goed geventileerde plaats, buiten het bereik van kinderen.
- Zorg dat het bewaarde apparaat niet toegankelijk is voor kinderen.
- Wanneer het apparaat in de auto ligt, moet u het apparaat in de kofferruimte plaatsen of goed vastzetten, zodat het apparaat niet kan wegschieten bij plotselinge veranderingen in snelheid of richting.

Inspectie en reparaties

- Controleer het apparaat vóór gebruik op beschadigingen en defecten. Controleer het vooral op gebroken onderdelen en andere omstandigheden die de werking ervan kunnen beïnvloeden.
- Gebruik de machine niet in geval van een of meer beschadigde of defecte onderdelen.
- Laat beschadigde of defecte onderdelen door een van onze servicecentra repareren of vervangen.

- Probeer nooit andere onderdelen te verwijderen of vervangen dan in deze handleiding zijn vermeld.

Aanvullende veiligheidsinstructies voor grastrimmers

Waarschuwing! Nadat u de motor hebt uitgeschakeld, blijven de maai-elementen draaien.

- Zorg ervoor dat u vertrouwd bent met de knoppen en met het juiste gebruik van het apparaat.
- Controleer het netsnoer en het verlengsnoer vóór gebruik op tekenen van beschadiging, veroudering en slijtage. Als het netsnoer tijdens het gebruik wordt beschadigd, moet u onmiddellijk de stekker uit het stopcontact halen. **RAAK HET NETSNOER IN DAT GEVAL PAS AAN WANNEER DE STEKKER UIT HET STOPCONTACT IS.**
- Gebruik het apparaat niet wanneer het netsnoer beschadigd of versleten is.
- Draag stevige schoenen of laarzen om uw voeten te beschermen.
- Draag een lange broek om uw benen te beschermen.
- Voordat u het apparaat gaat gebruiken, controleert u of het terrein dat u gaat maaien vrij van stokken, stenen, draad en andere obstakels is.
- Gebruik het apparaat alleen rechtop, met de snijdraad vlak bij de grond. Schakel het apparaat nooit in een andere stand in.
- Beweeg langzaam wanneer u het apparaat gebruikt. Let op: vers gemaaid

gras is vochtig en glad.

- Werk niet op steile hellingen. Werk dwars over het vlak van een helling, niet omhoog en omlaag.
- Steek nooit grindpaden of wegen over wanneer het apparaat is ingeschakeld.
- Zorg ervoor dat u nooit de snijdraad aanraakt terwijl het apparaat in werking is.
- Leg het apparaat niet weg voordat de snijdraad helemaal tot stilstand is gekomen.
- Gebruik alleen het juiste type snijdraad. Gebruik nooit metalen snijdraad of visdraad.
- Zorg ervoor dat u de snijdraadkap niet aanraakt.
- Zorg ervoor dat het netsnoer uit de buurt van het snijdraad blijft. Zorg ervoor dat u altijd weet waar het snoer zich bevindt.
- Zorg ervoor dat u altijd uw handen en voeten uit de buurt van het snijdraad houdt, vooral wanneer u de motor inschakelt.
- Controleer het apparaat op tekenen van slijtage of schade en repareer deze indien nodig, voordat u het apparaat gebruikt en nadat het apparaat ergens tegenaan is gestoten.
- Gebruik het apparaat nooit met beschadigde beschermkappen of zonder beschermkappen.
- Zorg ervoor dat u geen verwondingen oploopt door apparaten die worden gebruikt om de snijlijn op lengte te snijden. Nadat u een nieuwe snijlijn

hebt uitgetrokken, moet u het apparaat terugbrengen naar de normale gebruikspositie voordat u het apparaat inschakelt.

- Zorg er altijd voor dat de ventilatiesleuven niet verstopt raken.
- Gebruik de gazontrimmer (randtrimmer) niet wanneer de snoeren beschadigd of versleten zijn.
- Houd verlengsnoeren uit de buurt van maai-elementen.

Elektrische veiligheid



Dit apparaat is dubbel geïsoleerd; een aardaansluiting is daarom niet noodzakelijk. Controleer altijd of de netspanning overeenkomt met de waarde op het typeplaatje.

- Als het netsnoer is beschadigd, moet dit worden vervangen door de fabrikant of een BLACK+DECKER-servicecentrum om gevaren te voorkomen.
- Met een zeer gevoelige reststroomschakelaar (een RCD van 30 mA) wordt het risico van een elektrische schok verkleind.

Labels op het apparaat

Het apparaat is voorzien van de volgende waarschuwingssymbolen samen met de datumcode:



Lees de handleiding voordat u met het apparaat gaat werken.



Draag een veiligheidsbril of een stofbril als u dit apparaat gebruikt.



Maak gebruik van goede gehoorbescherming wanneer u dit apparaat gebruikt.



Trek altijd de stekker uit het stopcontact voordat u een beschadigd snoer inspecteert. Gebruik de strimmer niet als de kabel is beschadigd.



Wees bedacht op rondvliegende voorwerpen. Houd omstanders uit de buurt van het snijgebied.



Stel het apparaat niet bloot aan regen of een hoge luchtvochtigheid.



Richtlijn 2000/14/EG gegarandeerd geluidsvermogen.

Onderdelen

Dit apparaat bevat een aantal of alle van de volgende kenmerken:

1. Aan-/uitschakelaar
2. Steel
3. Snoerhouder
4. Stekkerbus
5. Tweede greep
6. Verstelknop
7. Buis
8. Houder voor extra spoel
9. HDL-spoel
10. Beschermkap
11. Snijdraadkap
12. Spoelbehuizing
13. Snijdraad
14. Randwiel

Monteren

Waarschuwing! Zorg voor aanvang van de montage dat het apparaat is uitgeschakeld en de netstekker is losgekoppeld van het lichtnet.

Aanbrengen van de beschermkap (fig. A & B)

- ◆ Verwijder de schroef (15) van de beschermkap (10).
- ◆ Plaats de beschermkap (10) zoals aangegeven op het apparaat.
- ◆ Druk stevig op de beschermkap totdat deze vastklikt.
- ◆ Bevestig de beschermkap met de schroef.
- ◆ Draai de schroef aan.

Waarschuwing! Gebruik het apparaat nooit wanneer de beschermkap niet juist is bevestigd.

De tweede greep bevestigen (fig. C)

- ◆ Druk op de verstelknop (6) aan de zijkant van de romp en houd de knop ingedrukt.
- ◆ Schuif de tweede greep (5) op zijn plaats boven de verstelknop (6).

Waarschuwing! Zorg dat de tanden op de knop juist zijn uitgelijnd met de sleuven in de greep en dat de greep goed vast zit.

De stand van de tweede greep aanpassen (fig. D)

De tweede greep (5) kan worden aangepast voor de beste balans en gebruiksgemak.

- ◆ Druk op de verstelknop (6) aan de linkerkant van de greep.
- ◆ Draai de tweede greep (5) in de vereiste stand.
- ◆ Laat de verstelknop (6) los.

Waarschuwing! Zorg dat de tanden op de knop juist zijn uitgelijnd met de sleuven in de greep en dat de greep goed vast zit.

De hoogte van het gereedschap instellen (fig. E en F)

Dit gereedschap heeft een telescopisch mechanisme waarmee u het kunt instellen op een comfortabele werkhogte. Er zijn meerdere hoogte-instellingen.

Stel als volgt de hoogte in:

- ◆ Open de vergrendelinghendel voor hoogtafstelling (16).
- ◆ Schuif de buis (7) voorzichtig in en uit tot deze de gewenste lengte heeft.
- ◆ Sluit de vergrendelinghendel voor hoogtafstelling (16).

De snijdraad losmaken

Tijdens transport is de snijdraad aan de spoelbehuizing bevestigd met tape.

Waarschuwing! Verwijder de accu uit het gereedschap voordat u met de montage begint.

- ◆ Verwijder de tape waarmee de snijdraad aan de spoelbehuizing (12) is bevestigd.

De spoel niet wordt gebruikt opslaan (fig. G)

Het apparaat heeft twee snijssystemen:

- ◆ **AFS:** Automatisch verlangen van enkele draad voor licht bijsnijden en randen trimmen.
- ◆ **HDL:** Snijstelsysteem met dubbele lijn voor zwaar gebruik in overwoekerde gebieden.

Opmerking: De HDL-spoel mag uitsluitend worden gebruikt voor snoeien.

Het snijstelsysteem dat u niet gebruikt, kunt u deze in de houder voor extra spoel opbergen (alleen GL8033 en GL9035).

- ◆ Breng de lipjes (17) op de spoelkap op één lijn met de uitsparingen (18) in de houder voor een extra spoel (8).
- ◆ Druk de kap op de houder voor de extra spoel totdat deze stevig vastklikt.

Aansluiting van het apparaat op de netspanning (fig. H)

- ◆ Sluit de contrastekker van een geschikt verlengsnoer aan op de stekkerbus (4).
- ◆ Steek het snoer door de snoerhouder (3).
- ◆ Sluit de netstekker aan op de netspanning.

Voor apparaten met een vaste kabel: Controleer of het snoer door de snoerklem is gestoken voordat u de stekker in het stopcontact steekt.

Waarschuwing! Het verlengsnoer moet geschikt zijn voor gebruik buitenshuis.

Gebruik van het apparaat

Waarschuwing! Laat het gereedschap in zijn eigen tempo

werken. Niet overbelasten.

Het gereedschap instellen op snoeien of randafwerking (fig. I en J)

Het gereedschap kan worden gebruikt voor snoeien, zoals weergegeven in fig. I, of voor randafwerking om overhangend gras te snoeien langs gazonranden en bloemperken, zoals weergegeven in fig. J.

Snoeien (fig. I)

Voor snoeien moet de snoeikop zich bevinden in de stand die wordt weergegeven in fig. I. Doe het volgende wanneer dit niet het geval is:

- ◆ Open de vergrendelinghendel voor hoogtafstelling (16).
- ◆ Draai de buis (7) rechtop.
- ◆ Als de kop zich in de juiste positie bevindt, sluit u de vergrendelinghendel voor hoogtafstelling (16).

Opmerking: De buis draait slechts in één richting.

Opmerking: De HDL-spoel mag worden gebruikt voor snoeien.

Randafwerking (fig. J)

Voor randafwerking moet de snoeikop zich bevinden in de stand die wordt weergegeven in fig. J. Doe het volgende wanneer dit niet het geval is:

- ◆ Open de vergrendelinghendel voor hoogtafstelling (16).
- ◆ Draai de buis (7) linksom.
- ◆ Als de kop zich in de juiste positie bevindt, sluit u de vergrendelinghendel voor hoogtafstelling (16).

Opmerking: De buis draait slechts in één richting.

In- en uitschakelen

- ◆ Druk de aan-uitschakelaar (1) in om het gereedschap in te schakelen.
- ◆ Laat de trekker los om het apparaat uit te schakelen.

Waarschuwing! Probeer nooit om een trekker in de ingeschakelde stand te vergrendelen.

Tips voor optimaal gebruik

Algemeen

- ◆ U krijgt de beste maieresultaten wanneer u uitsluitend droog gras maait.

Trimmen

- ◆ Houd het gereedschap vast, zoals wordt aangegeven in fig. K.
- ◆ Beweeg de trimmer rustig van de ene naar de andere kant.
- ◆ Wanneer u lang gras maait, moet u in stappen van bovenaf maaïen. Maai telkens een klein stuk.
- ◆ Houd het apparaat uit de buurt van harde voorwerpen en tere planten.
- ◆ De snijdraad slijt sneller en moet vaker verlengd worden wanneer u vaak langs stoepen of andere schurende oppervlakken maait, of wanneer u zwaar onkruid maait.
- ◆ Verlaag de belasting wanneer het apparaat langzamer draait.

Randafwerking

De beste snoeiresultaten worden verkregen op randen die dieper dan 50 mm zijn.

- ◆ Gebruik het gereedschap niet om randen te maken. Gebruik een spade om randen te maken.
- ◆ Beweeg het gereedschap via het wiel zoals wordt aangegeven in fig. L.
- ◆ Hef het gereedschap een beetje omhoog om korter te snoeien.

Een nieuwe spoel met snijdraad plaatsen (fig. M en N)

Vervangende spoelen met snijdraad zijn verkrijgbaar via uw BLACK+DECKER-leverancier (cat. nr. A6482). Pakketten met drie spoelen met snijdraad zijn ook verkrijgbaar (cat. nr. A6486).

- ◆ Haal de stekker uit het stopcontact.
- ◆ Houd de lipjes (17) ingedrukt en verwijder de spoelkap (21) van de behuizing (12) (fig. M).
- ◆ Verwijder de lege spoel (22) uit de spoelkap.
- ◆ Verwijder alle vuil en gras van de spoelkap en de behuizing.
- ◆ Neem de nieuwe spoel en druk deze op de naaf in de spoelbehuizing. Draai de spoel licht totdat deze stevig is geplaatst.
- ◆ Maak het uiteinde van de snijdraad los en geleid de draad door de oogjes (23) (fig. M). De draad moet ongeveer 11 cm buiten de spoelkap steken.

Opmerking: Zorg dat de lijn op de spoel niet gaat rafelen. Houd het apparaat te allen tijde met minimaal één hand vast.

- ◆ Neem de nieuwe spoel en druk deze op de naaf in de spoelkap. Draai de spoel licht totdat deze stevig is geplaatst.
- ◆ Breng de lipjes (17) op de spoelkap op één lijn met de uitsparingen (24) in de behuizing (12).
- ◆ Druk de kap op de behuizing totdat deze stevig vastklikt.

Waarschuwing! Als de snijdraden verder uitsteken dan de snijdraadkap (11), moet u de draad afsnijden totdat deze niet verder dan de kap reikt.

Een nieuwe spoel met snijdraad voor zwaar gebruik plaatsen (fig. O en P)

Vervangende verpakkingen met 10 snijdraden voor zwaar gebruik zijn verkrijgbaar via uw BLACK+DECKER-leverancier (cat. nr. A6489).

Een nieuwe spoel met snijdraad voor zwaar gebruik plaatsen:

- ◆ Haal de stekker uit het stopcontact.
- ◆ Houd de lipjes (17) ingedrukt en verwijder de HDL-kap (9) van de behuizing (12).
- ◆ Verwijder alle vuil en gras van de HDL-kap (9) en de behuizing.
- ◆ Verwijder het gebruikte deel van de lijn uit de HDL-kap (9).
- ◆ Haal een nieuw stuk lijn (20) door de oogjes (27) in de zijkant en de HDL-kap.
- ◆ Plaats het middelste draadoog (28) in de aangegeven positie (fig. P).
- ◆ Plaats de HDL-kap terug.

Waarschuwing! Gebruik alleen het juiste type BLACK+DECKER snijdraad.

Problemen oplossen

Als het apparaat niet goed lijkt te werken, volgt u de onderstaande instructies op. Neem contact op met het dichtstbijzijnde BLACK+DECKER-servicecentrum als u het probleem niet kunt verhelpen.

Waarschuwing! Neem het gereedschap uit het stopcontact voordat u doorgaat.

Het apparaat draait langzaam

- ◆ Controleer of de spoelbehuizing vrij kan draaien. Reinig de behuizing zorgvuldig, indien nodig.
- ◆ Controleer of de snijdraad niet meer dan 11 cm uit de spoelbehuizing steekt. Als de snijdraad verder uitsteekt dan 11 cm, moet u de draad afsnijden totdat deze niet verder dan de snijdraadkap reikt.

Het automatisch langer maken van de draad werkt niet

- ◆ Houd de lipjes ingedrukt en verwijder de spoelkap van de behuizing.
- ◆ Trek aan de snijdraad, totdat deze 11 cm uit de behuizing steekt. Als de spoel onvoldoende snijdraad bevat, moet u een nieuwe spoel met snijdraad plaatsen, zoals hierboven aangegeven.
- ◆ Breng de lipjes op de spoelkap op één lijn met de uitsparingen in de behuizing.
- ◆ Druk de kap op de behuizing totdat deze stevig vastklikt.
- ◆ Als de snijdraad verder uitsteekt dan de snijdraadkap, moet u de draad afsnijden totdat deze niet verder dan de kap reikt.

Als het automatisch verlengen niet werkt, of wanneer de spoel is geblokkeerd, kunt u de volgende suggesties proberen:

- ◆ Reinig de spoelkap en de behuizing voorzichtig.
- ◆ Verwijder de spoel en controleer of de hendel vrij kan bewegen.
- ◆ Verwijder de spoel en wikkel de snijdraad af. Wikkel deze netjes weer op, zoals hierboven beschreven. Vervang de spoel zoals beschreven.

Onderhoud

Uw BLACK+DECKER-gereedschap/-apparaat (met netsnoer/snoerloos) is ontworpen om gedurende langere tijd te functioneren met een minimum aan onderhoud. U kunt het gereedschap/apparaat naar volle tevredenheid blijven gebruiken als u voor correct onderhoud zorgt en het gereedschap/apparaat regelmatig schoonmaakt.

Naast regelmatig reiniging vereist de lader geen onderhoud.

Waarschuwing! Doe altijd het volgende voordat u onderhouds- of reinigingswerkzaamheden aan het gereedschap (met snoer/snoerloos) uitvoert.

- ◆ Schakel het gereedschap/apparaat uit en trek de stekker uit het stopcontact.
- ◆ Als het gereedschap/apparaat een afzonderlijke accu heeft, schakelt u het gereedschap/apparaat uit en haalt u de accu eruit.
- ◆ Als de accu is ingebouwd, laat u deze volledig ontladen. Schakel dan het apparaat uit.

- ◆ Neem de lader uit het stopcontact voordat u deze schoonmaakt. Naast regelmatige reiniging vereist de lader geen onderhoud.
- ◆ Reinig regelmatig de ventilatieopeningen van het gereedschap/apparaat en de lader met een zachte borstel of droge doek.
- ◆ Reinig de behuizing van de motor regelmatig met een vochtige doek. Gebruik geen schuur- of oplosmiddel.
- ◆ Reinig de snijdraad en spoel regelmatig met een zachte borstel of een droge doek.
- ◆ Gebruik regelmatig een botte krabber om gras en vuil van onder de beschermkap te verwijderen.

Black & Decker verklaart hierbij dat de producten die worden beschreven onder "technische gegevens", voldoen aan:

2006/42/EC, EN60335-1:2012 + A11:2014 + A13:2017 + A1:2019 + A14:2019 + A2:2019, EN50636-2-91:2014.

2000/14/EC, Draadtrimmer, L < 50cm, Bijlage VI,
 DEKRA Testing and Certification GmbH,
 Handwerkstraße 15, 70565 Stuttgart
 Location Certification Body,
 Dinnendahlstr. 9, 44809 Bochum, Duitsland
 Nummer aangemelde instantie: 0158
 L_{WA} (gemeten geluidsvermogeniveau) 84 dB(A)
 onzekerheid (K) = 1,2 dB(A),
 L_{WA} (gegarandeerd geluidsvermogen) 96 dB(A)

Deze producten voldoen ook aan Richtlijn 2014/30/EU en 2011/65/EU.

Neem voor meer informatie contact op met Black & Decker op het volgende adres of kijk op de achterzijde van de handleiding.

De ondergetekende is verantwoordelijk voor de samenstelling van het technische bestand en legt deze verklaring af namens Black & Decker.

Milieu



Gescheiden afvalinzameling. Producten en accu's waarop dit symbool is aangebracht, mogen niet bij het normale huishoudafval worden weggegooid.

Producten en accu's bevatten materialen die kunnen worden teruggewonnen of gerecycled en dat doet de vraag naar grondstoffen.

Recycle elektrische producten en accu's volgens de ter plaatse geldende bepalingen. Nadere informatie is beschikbaar op www.2helpU.com

Technische gegevens

		GL7033 Type 1	GL8033 Type 1	GL9035 Type 1
Spanning	V_{ac}	230	230	230
Opgenomen vermogen	W	700	800	900
Onbelaste snelheid	min ⁻¹	7000	7000	7000
Gewicht	kg	3.2	3.2	3.2

Geluidsrukniveau:	
Geluidsdruk (L_{WA})	81 dB(A), meetonzekerheid (K) 1.2 dB(A)
Geluidsvermogen (L_{WA})	95 dB(A), meetonzekerheid (K) 1.2 dB(A)

Totale trillingswaarden (som triaxvector) volgens EN 50636-2-91:	
Waarde trillingsmissie (a)	8.2 m/s ² , meetonzekerheid (K) 1.5 m/s ²

EG-conformiteitsverklaring

**MACHINERICHTLIJN
RICHTLIJN VOOR GELUID BUITENSHUIS**



GL7033/GL8033/GL9035 - Trimmer

Patrick Diepenbach

Patrick Diepenbach
 General Manager, Benelux
 Black and Decker,
 Egide Walschaertsstraat 14-18
 2800 Mechelen, België
 15.06.2021

Garantie

Black & Decker heeft vertrouwen in zijn producten en biedt consumenten een garantie van 24 maanden vanaf de aankoopdatum. Deze garantie vormt een aanvulling op uw wettelijke rechten en beperken deze niet. De garantie is geldig op het grondgebied van de Lidstaten van de Europese Unie en de Europese Vrijhandelszone. Voor een garantie-aanspraak moet u aanspraak in overeenstemming zijn met de Voorwaarden en Condities van Black&Decker en moet u een bewijs van aankoop overleggen aan de verkoper of aan een geautoriseerde reparatiemonteur.

Voorwaarden en condities van de 2-jarige garantie van Black&Decker en het adres van de vestiging van het geautoriseerde reparatiecentrum bij u in de buurt, kunt u vinden op internet op www.2helpU.com, of door contact op te nemen met het Black & Decker-kantoor ter plaatse, op het adres dat in deze handleiding wordt vermeld.

Bezoek onze website www.blackanddecker.nl, waar u uw nieuwe Black & Decker-product kunt registreren en informatie kunt verkrijgen over nieuwe producten en speciale aanbiedingen.

Uso previsto

La GL7033, GL8033, GL8035 - Cortadora de BLACK+DECKER se ha diseñado para cortar y acabar bordes del césped y cortar césped en zonas difíciles. Este aparato se ha diseñado únicamente para uso doméstico.

Instrucciones de seguridad

¡Atención! Si utiliza aparatos conectados a la red eléctrica, es necesario seguir las precauciones de seguridad básicas, incluidas las que se indican a continuación, para reducir el riesgo de incendios, descargas eléctricas, lesiones y daños materiales.

¡Atención! Cuando utilice el aparato se deben seguir las normas de seguridad. Por su propia seguridad y por la de otras personas, lea estas instrucciones antes de utilizar el aparato. Conserve estas instrucciones para consultarlas en un futuro.

- ◆ Lea todo el manual detenidamente antes de utilizar el aparato.
- ◆ En este manual se describe el uso para el que se ha diseñado el aparato. La utilización de accesorios o la realización de operaciones distintas de las recomendadas en este manual de instrucciones puede presentar un riesgo de lesiones.
- ◆ Conserve este manual para futuras consultas.

Utilización del aparato

Tenga siempre mucho cuidado al utilizar el aparato.

- ◆ Utilice siempre gafas protectoras.
- ◆ Nunca permita que los niños ni las personas no familiarizadas con estas instrucciones utilicen el aparato.
- ◆ Evite que los niños y animales se acerquen a la zona de trabajo y toquen el aparato o el cable de alimentación.
- ◆ Procure tener cuidado si utiliza el aparato cerca de niños.
- ◆ Este aparato está pensado para utilizarse con la supervisión correspondiente en el caso de menores o personas que no cuentan con la fuerza necesaria.
- ◆ Este aparato no es un juguete.
- ◆ Utilice el aparato únicamente a la luz del día o con iluminación artificial adecuada.
- ◆ Utilícelo únicamente en lugares secos. Tenga cuidado de no mojar el aparato.
- ◆ No sumerja el aparato en agua.
- ◆ No abra la carcasa. Las piezas del interior del aparato no pueden ser reparadas por el usuario.
- ◆ No utilice el aparato en un entorno con peligro de explosión, en el que se encuentren líquidos, gases o materiales en polvo inflamables.
- ◆ Para evitar dañar las clavijas o los cables, no tire nunca del cable para extraer la clavija de la toma de corriente.

Seguridad de terceros

- ◆ Ninguna persona (incluidos los niños a partir de 8 años de edad) con capacidades físicas, sensoriales o mentales disminuidas, o que carezca de expe-

riencia y conocimientos, debe utilizar este aparato, salvo que haya recibido supervisión o formación con respecto al uso del aparato de una forma segura y que comprenda los peligros que entraña. Los niños no deben jugar con el aparato. Ningún niño deberá realizar las tareas de limpieza y mantenimiento, salvo que lo hagan bajo supervisión.

- ♦ Los niños deben vigilarse en todo momento para garantizar que el aparato no se toma como elemento de juego.

Riesgos residuales

El uso de esta herramienta puede producir riesgos residuales adicionales no incluidos en las advertencias de seguridad adjuntas. Estos riesgos se pueden generar por un uso incorrecto, demasiado prolongado, etc.

El cumplimiento de las normas de seguridad correspondientes y el uso de dispositivos de seguridad no evitan ciertos riesgos residuales. Estos riesgos incluyen:

- ♦ Lesiones producidas por el contacto con piezas móviles o giratorias.
- ♦ Lesiones producidas al cambiar cualquier pieza, cuchilla o accesorio.
- ♦ Lesiones producidas al usar una herramienta por un tiempo demasiado prolongado. Si utiliza una herramienta durante periodos de tiempo demasiado prolongados, asegúrese de realizar pausas con frecuencia.
- ♦ Discapacidad auditiva.
- ♦ Riesgos para la salud producidos al

respirar el polvo que se genera al usar la herramienta (por ejemplo: en los trabajos con madera, especialmente de roble, haya y tableros de densidad mediana).

Después de la utilización

- ♦ Cuando el aparato no esté en uso, deberá guardarse en un lugar seco, bien ventilado y lejos del alcance de los niños.
- ♦ Los niños no deben tener acceso a los aparatos guardados.
- ♦ Cuando se guarde o transporte el aparato en un vehículo, deberá colocarse en el maletero o asegurarse para evitar movimientos producidos por cambios repentinos en la velocidad o la dirección.

Inspecciones y reparaciones

- ♦ Antes de utilizarlo, compruebe que el aparato no tiene piezas dañadas o defectuosas. Compruebe que no hay piezas rotas u otros defectos que puedan afectar al funcionamiento del aparato.
- ♦ No utilice el aparato si presenta alguna pieza dañada o defectuosa.
- ♦ Solicite a un agente de servicio técnico autorizado la reparación o sustitución de las piezas dañadas o defectuosas.
- ♦ Nunca intente extraer ni sustituir piezas no especificadas en este manual.

Instrucciones de seguridad adicionales para cortadoras

de césped

¡Atención! Una vez apagado el motor, los elementos que se están cortando continuarán girando.

- ◆ Familiarícese con los controles y el uso correcto del aparato.
- ◆ Antes de utilizar el cable de alimentación y el cable de extensión, compruebe que no están dañados, gastados o deteriorados. Si se daña un cable mientras utiliza el producto, desconecte el cable de la red eléctrica inmediatamente. **NO TOQUE EL CABLE SIN HABERLO DESCONECTADO PREVIAMENTE DE LA RED ELÉCTRICA.**
- ◆ No utilice el aparato si los cables están dañados o desgastados.
- ◆ Utilice calzado resistente para proteger los pies.
- ◆ Vista pantalones largos para proteger las piernas.
- ◆ Antes de utilizar el aparato, compruebe que la zona que vaya a cortar no tenga ramas, piedras, alambres o ningún otro obstáculo.
- ◆ Utilice el aparato solamente en posición vertical, con la línea de corte cerca del suelo. No conecte nunca el aparato en otra posición.
- ◆ Mueva lentamente el aparato cuando lo utilice. Tenga en cuenta que el césped recién cortado está húmedo y resbaladizo.
- ◆ No trabaje en pendientes pronunciadas. Trabaje en sentido transversal a la pendiente, no hacia arriba o abajo.
- ◆ Nunca cruce caminos de grava ni carreteras mientras el aparato está en funcionamiento.
- ◆ Nunca toque la línea de corte mientras el aparato está en funcionamiento.
- ◆ No deposite el aparato hasta que la línea de corte se detenga por completo.
- ◆ Utilice únicamente el tipo de línea de corte apropiado. Nunca utilice líneas de corte o sedales de metal.
- ◆ Tenga cuidado de no tocar la hoja de la línea de corte.
- ◆ Tenga sumo cuidado en mantener el cable de alimentación lejos de la línea de corte. Tenga cuidado con la posición del cable en todo momento.
- ◆ Mantenga las manos y los pies alejados de la línea de corte en todo momento, especialmente al encender el motor.
- ◆ Antes de utilizar el aparato y después de cualquier impacto, compruebe si hay señales de desgaste o daños y repárelos si fuera necesario.
- ◆ Nunca utilice el aparato con protectores dañados o que no estén colocados en su lugar.
- ◆ Tome precauciones contra las lesiones causadas por cualquier dispositivo colocado para cortar la línea de filamentos. Después de prolongar una nueva línea de corte, coloque de nuevo el aparato en su posición normal de funcionamiento antes de

encenderlo.

- ◆ Asegúrese siempre de que las ranuras de ventilación no tengan restos.
- ◆ No utilice el cortacésped (cortase-tos) si los cables están dañados o desgastados.
- ◆ Mantenga los cables de extensión alejados de los elementos de corte.



Antes de revisar un cable dañado, retire siempre la clavija del enchufe de corriente. Tenga cuidado de no utilizar la cortadora si el cable está estropeado.



Tenga cuidado con los objetos que salen volando. Mantenga a otras personas alejadas de la zona de corte.



No exponga el aparato a la lluvia ni a una humedad elevada.



Directiva 2000/14/CE sobre la potencia acústica garantizada.

Seguridad eléctrica



El aparato lleva un doble aislamiento; por lo tanto no requiere una toma a tierra. Compruebe siempre que la tensión de la red corresponda con el valor indicado en la placa de datos de la herramienta.

- ◆ Si se dañara el cable de alimentación, deberá ser sustituido por el fabricante o por un centro de asistencia técnica autorizado de BLACK+DECKER para evitar cualquier situación de riesgo.
- ◆ Se puede incrementar la seguridad eléctrica mediante dispositivos de corriente residual de 30 mA de alta sensibilidad.

Etiquetas del aparato

El aparato cuenta con los siguientes símbolos de advertencia junto con el código de fecha:



Lea el manual antes de utilizar el aparato.



Cuando utilice el aparato, lleve siempre gafas protectoras.



Cuando maneje el aparato, utilice protectores para los oídos adecuados.

Características

Este aparato incluye una o más de las siguientes características.

1. Interruptor de encendido/apagado
2. Mango
3. Fijación para el cable
4. Entrada de alimentación
5. Mango secundario
6. Botón de ajuste
7. Tubo
8. Almacenamiento de bobinas de repuesto
9. Bobina HDL
10. Protector
11. Hoja de línea de corte
12. Compartimento para la bobina
13. Línea de corte
14. Disco de corte

Montaje

¡Atención! Antes de realizar el montaje, compruebe que la herramienta está apagada y desconectada.

Ajuste del protector (figs. A y B)

- ◆ Retire el tornillo (15) del protector (10).
- ◆ Coloque el protector (10) en la herramienta tal como se muestra.
- ◆ Presione firmemente el protector hasta que encaje en su sitio.
- ◆ Fije el protector con el tornillo.
- ◆ Apriete el tornillo.

¡Atención! Nunca utilice la herramienta a menos que el protector esté colocado correctamente.

Colocación del mango secundario (fig. C)

- ◆ Mantenga pulsado el botón de ajuste (6) que hay en el lateral del cuerpo principal.
- ◆ Deslice el mango secundario (5) hasta que quede colocado en su sitio, por encima del botón de ajuste (6).

¡Atención! Asegúrese de que los dientes del botón queden correctamente alineados en las ranuras del mango y de que dicho mango esté colocado firmemente.

Ajuste de la posición del mango secundario (fig. D)

Puede ajustar el mango secundario (5) para obtener el máximo equilibrio y comodidad.

- ◆ Pulse el botón de ajuste (6) que hay en lateral izquierdo del mango.
- ◆ Gire el mango secundario (5) hasta que quede en la posición deseada.
- ◆ Pulse el botón de ajuste (6).

¡Atención! Asegúrese de que los dientes del botón queden correctamente alineados en las ranuras del mango y de que dicho mango esté colocado firmemente.

Ajuste de la altura de la herramienta (figs. E y F)

Esta herramienta dispone de un mecanismo telescópico que permite regular la altura para su comodidad. El aparato puede colocarse a muchas alturas.

Para ajustar la altura, siga los pasos siguientes:

- ◆ Suelte la palanca de bloqueo de ajuste de altura (16).
- ◆ Deslice suavemente el tubo (7) hacia arriba o hacia abajo hasta que quede a la altura deseada.
- ◆ Cierre la palanca de bloqueo de ajuste de altura (16).

Extracción de la línea de corte

Mientras se encuentra en tránsito, la línea de corte está sujeta con una cinta al compartimento para la bobina.

- ◆ Extraiga la cinta que sujeta la línea de corte al compartimento para la bobina (12).

Almacenamiento de la bobina que no se utilice (fig. G)

La herramienta tiene dos sistemas de corte:

- ◆ **AFS (Bobina de alimentación automática):** alimentación automática de hilo único para cortes y orillados suaves.
- ◆ **Hilo de alto rendimiento (HDL, por sus siglas en inglés):** sistema de corte con doble hilo de alto rendimiento (HDL) para zonas más crecidas.

Nota: la bobina HDL solo se debe utilizar en modo de corte. El sistema de corte que no se utilice puede guardarse en el almacenaje de bobinas de repuesto (solo los modelos GL8033 y GL9035).

- ◆ Alinee las lengüetas (17) de la cubierta de la bobina con los cortes (18) en el almacenamiento de bobinas de repuesto (8).
- ◆ Empuje la cubierta en el almacenamiento de bobinas de repuesto hasta que quede bien colocada.

Conexión de la herramienta a la corriente (fig. H)

- ◆ Conecte el enchufe hembra de un cable de prolongación adecuado a la toma eléctrica de la herramienta (4).
- ◆ Enrolle el cable a través de la fijación del cable (3).
- ◆ Introduzca el enchufe en una toma de corriente.

Para conectarse en unidades de cable: asegúrese de que el cable está enrollado en la fijación antes de conectar el enchufe a la toma de corriente

¡Atención! El cable de prolongación debe ser adecuado para el uso en exteriores.

Uso

¡Atención! Deje que la herramienta funcione a su ritmo. No la sobrecargue.

Configuración de la herramienta en modo de corte o de orillado (figs. I y J)

La herramienta puede utilizarse en modo de corte (fig. I) o de orillado, para cortar la hierba que sobresale por encima de los bordes del césped y los parterres (fig. J).

Modo de corte (fig. I)

Para cortar, la cabeza de la cortadora debería estar en la posición que se muestra en la fig. I. Si no es así:

- ◆ Suelte la palanca de bloqueo de ajuste de altura (16).
- ◆ Gire el tubo (7) en el sentido de las agujas del reloj.
- ◆ Cuando la cabeza esté en posición, cierre la palanca de bloqueo de ajuste de altura (16).

Nota: el tubo solamente girará en un sentido.

Nota: la bobina HDL se debe utilizar en modo de corte.

Modo de orillado (fig. J)

Para orillar, la cabeza de la cortadora debería estar en la posición que se muestra en la fig. J. Si no es así:

- ◆ Suelte la palanca de bloqueo de ajuste de altura (16).
- ◆ Gire el tubo (7) en sentido opuesto al de las agujas del reloj.
- ◆ Cuando la cabeza esté en posición, cierre la palanca de bloqueo de ajuste de altura (16).

Nota: el tubo solamente girará en un sentido.

Encendido y apagado

- ◆ Para encender la herramienta, pulse el botón de encendido/apagado (1).
 - ◆ Para apagar la herramienta, suelte el gatillo.
- ¡Atención!** No intente nunca trabar un gatillo en la posición de encendido.

Consejos para un uso óptimo**General**

- ◆ Para obtener unos resultados de corte óptimos, corte únicamente hierba seca.

Corte

- ◆ Sujete la herramienta como se muestra en la fig. K.
- ◆ Balancee suavemente la cortadora de un lado a otro.
- ◆ Cuando corte césped largo, trabaje por fases desde arriba. Realice cortes pequeños.
- ◆ Mantenga la herramienta alejada de objetos duros y plantas delicadas.
- ◆ La línea de corte se desgastará con más rapidez y necesitará más alimentación si el corte se realiza junto a pavimentos u otras superficies abrasivas, o si se cortan malas hierbas resistentes.
- ◆ Si la herramienta comienza a funcionar lentamente, reduzca la carga.

Orillado

Los mejores resultados de corte se obtienen en los bordes de más de 50 mm de profundidad.

- ◆ No utilice la herramienta para crear bordes. Para crear bordes, utilice una pala de orillado.

- ◆ Guíe la herramienta sobre su disco como se muestra en la fig. L.
- ◆ Para realizar un corte más cercano, incline ligeramente la herramienta.

Colocación de una nueva bobina de línea de corte (figs. M y N)

Encontrará bobinas de línea de corte de repuesto en el distribuidor de BLACK+DECKER más cercano (n.º de cat. A6482). También podrá encontrar paquetes de tres bobinas de línea de corte (n.º de cat. A6486).

- ◆ Desenchufe la herramienta.
- ◆ Mantenga las lengüetas (17) presionadas y extraiga la cubierta de la bobina (21) del compartimento (12) (fig. M).
- ◆ Retire la bobina vacía (22) de su cubierta.
- ◆ Elimine la suciedad y los restos de césped de la cubierta y el compartimento de la bobina.
- ◆ Libere el extremo de la línea de corte y guíe la línea hasta el interior de la abertura (23) (fig. M). La línea debería sobresalir unos 11 cm de la cubierta de la bobina.

Nota: Tenga cuidado de que el hilo de la bobina no se enrede. Sosténgalo bien con una mano en todo momento.

- ◆ Sujete la bobina nueva y empújela por el interior del eje central situado en la cubierta de la bobina. Gire ligeramente la bobina hasta que quede perfectamente encajada.
- ◆ Alinee las lengüetas (17) de la cubierta de la bobina con los cortes (24) del compartimento (12).
- ◆ Empuje la cubierta en el compartimento hasta que se coloque en su lugar correctamente.

¡Atención! Si la línea de corte sobresale más allá de la hoja de corte (11), córtela de modo que llegue hasta la hoja.

Colocación de una nueva pieza de línea de corte de alto rendimiento (figs. O y P)

Encontrará paquetes de 10 líneas de corte de alto rendimiento en el distribuidor de BLACK+DECKER más cercano (n.º cat. A6489).

Para colocar una nueva pieza de línea de corte, hágalo de este modo:

- ◆ Desenchufe la herramienta.
- ◆ Mantenga las lengüetas (17) presionadas y extraiga la cubierta de la bobina HDL (9) del compartimento (12).
- ◆ Elimine la suciedad y los restos de césped de la cubierta HDL (9) y del compartimento.
- ◆ Extraiga la pieza usada de línea de la cubierta HDL (9).
- ◆ Pase un trozo nuevo de hilo (20) por las aberturas (27) que hay en cada uno de los lados de la cubierta HDL.
- ◆ Coloque la anilla central (28) en la posición que se indica (fig. P).
- ◆ Ajuste la cubierta HDL.

¡Atención! Utilice únicamente el tipo de línea de corte apropiado de BLACK+DECKER.

Solución de problemas

Si le parece que la herramienta no funciona de forma adec-

uada, siga las instrucciones que se indican a continuación. Si no se resuelve el problema, póngase en contacto con un técnico autorizado de BLACK+DECKER.

¡Atención! Antes de hacerlo, desconecte la herramienta.

El aparato funciona lentamente

- ◆ Compruebe que el compartimento para la bobina puede girar sin problemas. Límpielo con cuidado si fuera necesario.
- ◆ Compruebe que la línea de corte no sobresale más de 11 cm del compartimento para la bobina. Si sobresale, córtela de modo que sólo llegue hasta la altura de la hoja de la línea de corte.

La alimentación automática de la línea no funciona

- ◆ Mantenga las lengüetas presionadas y extraiga la cubierta de la bobina del compartimento.
- ◆ Empuje la línea de corte hasta que sobresalga 11 cm del compartimento. Si se deja una línea de corte insuficiente en el bobina, instale una nueva bobina de línea de corte como se indica anteriormente.
- ◆ Alinee las lengüetas de la cubierta de la bobina con los cortes del compartimento.
- ◆ Empuje la cubierta en el compartimento hasta que se coloque en su lugar correctamente.
- ◆ Si la línea de corte sobresale más allá de la hoja de corte, córtela de modo que llegue justo hasta la altura de la hoja.

Si la alimentación automática de la línea no funciona o la bobina está atascada, pruebe a hacer lo siguiente:

- ◆ Limpie con cuidado la cubierta de la bobina y su compartimento.
- ◆ Extraiga la bobina y compruebe si la palanca puede moverse libremente.
- ◆ Retire la bobina desenrolle la línea de corte y a continuación enróllela otra vez sin que cuelgue, como se describe anteriormente. Sustituya la bobina como se ha indicado.

Mantenimiento

Este aparato o herramienta con o sin cable de BLACK+DECKER se ha diseñado para que funcione durante un largo período de tiempo con un mantenimiento mínimo. El funcionamiento satisfactorio continuado depende de un cuidado apropiado y una limpieza periódica de la herramienta o aparato.

El cargador no requiere ningún mantenimiento especial excepto una limpieza periódica.

¡Atención! Antes de realizar el mantenimiento de herramientas eléctricas con o sin cables:

- ◆ Apague y desenchufe el aparato o herramienta.
- ◆ O bien, apague y extraiga las pilas o la batería del aparato o herramienta, en caso de que disponga de una batería separada.
- ◆ O bien, deje que la batería se agote por completo si es integral y, a continuación, apague el aparato.
- ◆ Desenchufe el cargador antes de limpiarlo. El cargador

no requiere ningún mantenimiento especial excepto una limpieza periódica.

- ◆ Limpie periódicamente las ranuras de ventilación de la herramienta, aparato y cargador con un cepillo suave o un paño seco.
- ◆ Limpie periódicamente la carcasa del motor con un paño húmedo. No utilice limpiadores de base abrasiva o disolventes.
- ◆ Limpie periódicamente la línea de corte y la bobina con un cepillo suave o un paño seco.
- ◆ Utilice periódicamente un raspador sin filo para eliminar los restos de hierba y la suciedad acumulada debajo del protector.

2006/42/CE, EN60335-1:2012 + A11:2014 + A13:2017 + A1:2019 + A14:2019 + A2:2019, EN50636-2-91:2014.

2000/14/CE, **Cortabordes**, L < 50 cm, Anexo VI,

DEKRA Testing and Certification GmbH,

Handwerkstraße 15, 70565 Stuttgart

Ubicación del organismo de certificación:

Dinnendahlstr. 9, 44809 Bochum, Alemania

Organismo notificado n.º: 0158

L_{WA} (nivel de potencia acústica medido) 84 dB(A)

incertidumbre (K) = 1,2 dB(A),

L_{WA} (potencia acústica garantizada) 96 dB(A)

Estos productos también son conformes a la Directiva

2014/30/UE y 2011/65/UE.

Si desea más información, póngase en contacto con Black & Decker en la dirección indicada a continuación o bien consulte la parte posterior de este manual.

El abajo firmante es el responsable de la elaboración de la documentación técnica y expide la presente declaración en nombre y representación de Black & Decker.

Patrick Diepenbach

Patrick Diepenbach

Director General, Benelux

Black & Decker,

Egide Walschaertsstraat 14 -18

2800 Malinas, Bélgica

15.06.2021

Garantía

Black & Decker confía en la calidad de sus productos y ofrece a los consumidores una garantía de 24 meses a partir de la fecha de compra. Esta garantía es adicional a sus derechos legales y no los menoscaba en modo alguno. La garantía es válida dentro de los territorios de los Estados Miembros de la Unión Europea y del Área de Libre Comercio Europea. Para reclamar la garantía, la reclamación se debe presentar de conformidad con las condiciones de Black & Decker. Tendrá que adjuntar un justificante de compra al vendedor o al agente técnico autorizado.

Las condiciones de la garantía de 2 años de Black & Decker y la ubicación de su agente técnico autorizado más cercano se pueden obtener en Internet en www.2helpU.com o poniéndose en contacto con su oficina local de Black & Decker en la dirección que se indica en este manual.

Visite nuestro sitio web www.blackanddecker.co.uk para registrar su nuevo producto Black & Decker y recibir noticias sobre nuevos productos y ofertas especiales.

Protección del medio ambiente



Recogida selectiva. Los productos y las baterías marcadas con este símbolo no se deben eliminar con la basura doméstica normal.

Los productos y las baterías que contienen materiales que se puedan recuperar o reciclar reducen la demanda de materias primas. Recicle los productos eléctricos y las baterías de conformidad con la normativa local. Puede obtener más información en www.2helpU.com

Ficha técnica

		GL7033 Type 1	GL8033 Type 1	GL9035 Type 1
Voltaje	V_e	230	230	230
Tensión de entrada	W	700	800	900
Velocidad sin carga	min^{-1}	7000	7000	7000
Peso	kg	3.2	3.2	3.2

Nivel de presión acústica:

Presión acústica (L_{pA}) 81 dB(A), incertidumbre (K) 1.2 dB(A)

Potencia acústica (L_{WA}) 95 dB(A), incertidumbre (K) 1.2 dB(A)

Valores totales de vibración (suma vectorial triaxial) de acuerdo con la directiva EN 50636-2-91:

Valor de emisión de vibraciones (a) 8.2 m/s², incertidumbre (K) 1.5 m/s²

Declaración de conformidad de la CE

DIRECTIVA DE MAQUINARIAS
DIRECTIVA SOBRE LA EMISIÓN DE RUIDO EN EXTERIORES



GL7033/GL8033/GL9035 - Cortadora

Black & Decker declara que los productos descritos en "datos técnicos" cumplen las siguientes normas:

Utilização prevista

O seu GL7033, GL8033, GL8035 - Cortador BLACK+DECKER foi concebido para aparar as extremidades dos relvados e para cortar relva em espaços exíguos. Este aparelho destina-se apenas a utilização doméstica.

Instruções de segurança

Aviso! Ao utilizar aparelhos eléctricos, deve sempre cumprir medidas de segurança básicas, incluindo as que se seguem, de modo a reduzir os riscos de incêndio, choque eléctrico e ferimentos.

Aviso! Ao utilizar a máquina, terá de seguir as regras de segurança. Para sua segurança e das outras pessoas, leia estas instruções antes de utilizar a máquina. Mantenha as instruções em local seguro para futuras consultas.

- ◆ Leia com atenção todo o manual antes de utilizar o aparelho.
- ◆ A utilização prevista para este aparelho está descrita no manual. A utilização de qualquer acessório ou a realização de qualquer operação com este aparelho que não se inclua no presente manual de instruções poderá representar um risco de ferimentos pessoais.
- ◆ Conserve este manual para referência futura.

Utilização do aparelho

Tenha sempre cuidado quando utilizar este aparelho.

- ◆ Utilize sempre óculos ou viseiras de

protecção.

- ◆ Nunca deixe crianças ou pessoas que não estejam familiarizadas com estas instruções utilizar este aparelho.
- ◆ Não deixe crianças ou animais aproximarem-se da área de trabalho ou tocarem no aparelho ou no cabo de alimentação.
- ◆ É necessária uma supervisão atenta quando o aparelho está a ser utilizado próximo de crianças.
- ◆ Este aparelho não deve ser utilizado por jovens ou pessoas doentes sem supervisão.
- ◆ Este aparelho não deve ser utilizado como um brinquedo.
- ◆ Utilize apenas o aparelho à luz do dia ou com uma boa luz artificial.
- ◆ Utilize-o apenas num local seco. Não deixe molhar o aparelho.
- ◆ Não mergulhe o aparelho em água.
- ◆ Não abra a estrutura do aparelho. Não existem peças para manipulação pelo utilizador no interior.
- ◆ Não utilize o equipamento em áreas com risco de explosão, nas quais se encontrem líquidos, gases ou poeiras inflamáveis.
- ◆ Para reduzir o risco de danos nas fichas e cabos, nunca puxe o cabo para remover a ficha de uma tomada.

Segurança de terceiros

- ◆ Este aparelho pode ser utilizado por crianças com idade de 8 anos e superior e por pessoas que apresentem capacidades físicas, sensoriais ou mentais reduzidas ou que

não possuam os conhecimentos e a experiência necessários, se forem vigiadas e instruídas acerca da utilização do aparelho de uma forma segura e entenderem os perigos envolvidos. As crianças não deverão mexer no aparelho. A limpeza e manutenção não deverão ser efectuadas por crianças sem supervisão.

- ◆ As crianças deverão ser vigiadas para que não mexam no aparelho.

Riscos residuais

Podem surgir riscos residuais adicionais durante a utilização da ferramenta que poderão não constar nos avisos de segurança incluídos. Estes riscos podem resultar de má utilização, uso prolongado, etc.

Mesmo com a aplicação dos regulamentos de segurança relevantes e com a implementação de dispositivos de segurança, alguns riscos residuais não podem ser evitados. Incluem:

- ◆ ferimentos causados pelo contacto com peças em rotação/movimento.
 - ◆ ferimentos causados durante a troca de peças, lâminas ou acessórios.
 - ◆ ferimentos causados pela utilização prolongada de uma ferramenta.
- Quando utilizar uma ferramenta por períodos prolongados, faça intervalos regulares.
- ◆ diminuição da audição.
 - ◆ Problemas de saúde causados pela inalação de poeiras resultantes da

utilização da ferramenta (exemplo: trabalhos em madeira, especialmente carvalho, faia e MDF).

Após a utilização

- ◆ Quando não for utilizado, o aparelho deve ser guardado num local seco e com boa ventilação, fora do alcance das crianças.
- ◆ As crianças não devem ter acesso a aparelhos armazenados.
- ◆ Quando o aparelho for guardado ou transportado num veículo, deverá ser colocado na bagageira ou fixo de forma a evitar o movimento devido a alterações súbitas na velocidade ou direcção.

Inspecção e reparações

- ◆ Antes da utilização, verifique a existência de peças danificadas ou avariadas no aparelho. Verifique se existem peças partidas e quaisquer outras situações que possam afectar o bom funcionamento.
- ◆ Não utilize o aparelho se alguma das peças se encontrar danificada ou avariada.
- ◆ Mandar reparar ou substituir quaisquer peças danificadas ou avariadas por um agente de reparação autorizado.
- ◆ Nunca tente retirar ou substituir quaisquer peças que não as especificadas neste manual.

Instruções de segurança adicionais para cortadores de relva

Aviso! Os elementos de corte continuarão a rodar após o motor ter sido desligado.

- ◆ Familiarize-se com os controlos e a utilização adequada da máquina.
- ◆ Antes da utilização, verifique se o cabo de alimentação e a extensão eléctrica apresentam sinais de corrosão, danos ou desgaste. Se um cabo se danificar durante a utilização, desligue de imediato o aparelho da fonte de alimentação eléctrica. **NAO TOQUE NO CABO DE ALIMENTAÇÃO ANTES DE DESLIGAR A FONTE DE ALIMENTAÇÃO ELÉCTRICA.**
- ◆ Não utilize o aparelho se os cabos se encontrarem danificados ou apresentarem desgaste.
- ◆ Use botas ou sapatos reforçados para proteger os pés.
- ◆ Use calças compridas para proteger as pernas.
- ◆ Antes de utilizar o aparelho, verifique se o percurso de corte não tem paus, pedras, cabos e outros obstáculos.
- ◆ Utilize sempre o aparelho na posição vertical, com a linha de corte junto ao chão. Nunca ligue o aparelho noutra posição.
- ◆ Ao utilizar o aparelho, desloque-se lentamente. A relva acabada de cortar está molhada e escorregadia.
- ◆ Não trabalhe em declives. Trabalhe ao longo dos declives, e nunca em sentido ascendente ou descendente.
- ◆ Nunca atravesse caminhos de grilha

ou estradas com o aparelho em funcionamento.

- ◆ Nunca toque na linha de corte com o aparelho em funcionamento.
- ◆ Não pouse o aparelho até a linha de corte parar completamente.
- ◆ Utilize sempre o tipo adequado de linha de corte. Nunca utilize linhas de corte metálicas nem linha de pesca.
- ◆ Tenha cuidado para não tocar na lâmina da linha de corte.
- ◆ Certifique-se sempre de que o cabo de alimentação se encontra afastado da linha de corte. Tenha sempre presente a posição do cabo.
- ◆ Mantenha sempre as mãos e os pés afastados da linha de corte, especialmente ao ligar o motor.
- ◆ Antes de utilizar o aparelho e depois de qualquer impacto, procure sinais de desgaste ou peças danificadas e repare-as conforme necessário.
- ◆ Nunca utilize o aparelho com protecções danificadas ou sem protecções.
- ◆ Tenha cuidado para que nenhum dispositivo montado no aparelho corte o filamento da linha. Depois de estender uma nova linha de corte, volte sempre a colocar a máquina na posição normal de funcionamento antes de a ligar.
- ◆ Certifique-se sempre de que as ranhuras de ventilação se encontram livres de detritos.
- ◆ Não utilize o cortador de relvados (cortador de extremidades) se os cabos se encontrarem danificados ou apresen-

tarem sinais de desgaste.

- Mantenha os cabos de extensão afastados dos elementos de corte.



Não exponha o aparelho à chuva ou humidade elevada.



A potência sonora cumpre a Directiva 2000/14/CE.

Segurança eléctrica



Este aparelho tem um isolamento duplo e, por isso, não é necessário um fio de terra. Verifique sempre se a fonte de alimentação corresponde à tensão indicada na placa de especificações.

- Se o cabo de alimentação estiver danificado, terá de ser substituído pelo fabricante ou por um centro de assistência autorizado BLACK+DECKER para evitar acidentes.
- A segurança eléctrica pode ser melhorada mediante a utilização de um Dispositivo de Corrente Residual (RCD) de alta sensibilidade (30 mA).

Rótulos do aparelho

O aparelho apresenta os seguintes símbolos de advertência juntamente com o código de data:



Antes de utilizar o aparelho, leia o manual.



Utilize óculos ou viseiras de protecção quando utilizar este aparelho.



Utilize protecções auditivas adequadas ao utilizar o aparelho.



Remova sempre a ficha da tomada antes de inspeccionar o cabo danificado. Tenha o cuidado de não utilizar o cortador caso o cabo se encontre danificado.



Esteja atento à projecção de objectos. Mantenha as pessoas afastadas da área de corte.

Componentes

Este aparelho inclui algumas ou todas as seguintes características.

1. Interruptor para Ligar/Desligar
2. Manipulo
3. Grampo de cabo
4. Entrada de potência
5. Manipulo secundário
6. Botão de ajuste
7. Tubo
8. Acondicionamento de cilindro sobresselente
9. Cilindro HDL
10. Protecção
11. Lâmina da linha de corte
12. Compartimento do cilindro
13. Linha de corte
14. Roda da extremidade

Montagem

Aviso! Antes da montagem, certifique-se de que a ferramenta está desligada e que não está ligada à corrente eléctrica.

Fixação da protecção (fig. A e B)

- ◆ Remova o parafuso (15) da protecção (10).
- ◆ Coloque a protecção (10) na ferramenta, conforme mostrado.
- ◆ Prima a protecção com firmeza até encaixar na respectiva posição.
- ◆ Fixe a protecção com o parafuso.
- ◆ Aperte o parafuso.

Aviso! Nunca utilize a ferramenta sem que a protecção se encontre correctamente montada.

Montagem do manipulo secundário (fig. C)

- ◆ Pressione e mantenha premido o botão de ajuste (6) na parte lateral do corpo.
- ◆ Faça deslizar o manipulo secundário (5) para a posição sobre o botão de ajuste (6).

Aviso! Certifique-se de que os dentes do botão estão alinhados correctamente nas ranhuras do manipulo e de que o manipulo está bem preso.

Ajustar a posição do manipulo secundário (fig. D)

O manipulo secundário (5) pode ser ajustado para fornecer maior equilíbrio e conforto.

- ◆ Prima o botão de ajuste (6) do lado esquerdo do manipulo.
- ◆ Rode o manipulo secundário (5) para a posição pretendida.
- ◆ Liberte o botão de ajuste (6).

Aviso! Certifique-se de que os dentes do botão estão

alinhados correctamente nas ranhuras do manípulo e de que o manípulo está bem preso.

Ajustar a altura da ferramenta (fig. E e F)

Esta ferramenta possui um mecanismo telescópico que permite o ajustamento para uma altura confortável. Existem várias definições de altura.

Para ajustar a definição de altura, proceda da seguinte forma:

- ◆ Solte o grampo de bloqueio de ajuste de altura (16).
- ◆ Puxe suavemente o tubo (7) para cima ou para baixo até à altura pretendida.
- ◆ Feche o grampo de bloqueio de ajuste de altura (16).

Soltar a linha de corte

Durante o transporte, a linha de corte encontra-se colada com fita adesiva ao compartimento do cilindro.

Aviso! Antes de montar, remova a bateria da ferramenta.

- ◆ Remova a fita adesiva que prende a linha de corte ao compartimento do cilindro (12).

Armazenar o cilindro quando não estiver em utilização (fig. G)

A ferramenta possui dois sistemas de corte:

- ◆ **AFS:** Alimentação automática de linha única para poda e aparo ligeiro.
- ◆ **HDL:** Sistema de corte de linha dupla para trabalhos pesados, para zonas mais crescidas.

Nota: O cilindro HDL pode ser utilizado apenas no modo de poda.

Quando não estiver a ser utilizado, o sistema de corte pode ser armazenado no acondicionamento de cilindro sobresselente (apenas GL8033 e GL9035).

- ◆ Alinhe as patilhas (17) da tampa do cilindro com os recortes (18) do acondicionamento de cilindro sobresselente (8).
- ◆ Empurre a tampa em direcção ao acondicionamento de cilindro sobresselente, até encaixar firmemente na posição respectiva.

Ligação da ferramenta à corrente eléctrica (fig. H)

- ◆ Ligue a ficha fêmea de um cabo de extensão adequado à entrada de potência (4).
 - ◆ Enrole o cabo através do grampo do cabo (3).
 - ◆ Introduza o cabo de alimentação numa tomada eléctrica.
- Para unidades com-se: Antes de ligar a ficha à tomada eléctrica, certifique-se de que o cabo está enrolado no grampo de cabo.

Atenção! O cabo de extensão deve ser adequado para utilização ao ar livre.

Utilização

Aviso! Deixe a ferramenta funcionar ao seu próprio ritmo. Não a sobrecarregue.

Configurar a ferramenta para podar ou aparar (fig. I e J)

A ferramenta pode ser utilizada para podar, como mostrado na fig. I, ou para aparar as extremidades dos relvados ou dos canteiros, como mostrado na fig. J.

Modo de poda (fig. I)

Para podar, a cabeça do cortador deve estar na posição indicada na fig. I. Se não estiver:

- ◆ Solte o grampo de bloqueio de ajuste de altura (16).
- ◆ Rode o tubo (7) no sentido dos ponteiros do relógio.
- ◆ Quando a cabeça estiver em posição, feche o grampo de bloqueio de ajuste de altura (16).

Nota: O tubo só rodará numa direcção.

Nota: O cilindro HDL pode ser utilizado no modo de poda.

Modo de aparo (fig. J)

Para aparar, a cabeça do cortador deve estar na posição indicada na fig. J. Se não estiver:

- ◆ Solte o grampo de bloqueio de ajuste de altura (16).
- ◆ Rode o tubo (7) no sentido contrário ao dos ponteiros do relógio.
- ◆ Quando a cabeça estiver em posição, feche o grampo de bloqueio de ajuste de altura (16).

Nota: O tubo só rodará numa direcção.

Ligar e desligar

- ◆ Para ligar a ferramenta, pressione o interruptor ligar/desligar (1).
- ◆ Para desligar o aparelho, solte a alavanca do gatilho.

Aviso! Nunca tente bloquear a alavanca do gatilho na posição de ligado.

Sugestões para uma utilização ideal

Gerais

- ◆ Para obter os melhores resultados de corte, corte apenas relva seca.

Podar

- ◆ Segure na ferramenta conforme indicado na fig. K.
- ◆ Faça oscilar suavemente o cortador de um lado para o outro.
- ◆ Ao cortar relva crescida, trabalhe por fases a partir do topo. Efectue pequenos cortes.
- ◆ Mantenha a ferramenta afastada dos objectos duros e plantas delicadas.
- ◆ A linha de corte apresentará um desgaste mais rápido e necessitará de ser substituída se o corte for efectuado ao longo de passeios ou outras superfícies abrasivas ou se cortar ervas mais resistentes.
- ◆ Se a ferramenta perder velocidade, reduza a carga.

Aparar

Os melhores resultados de corte são obtidos em extremidades com mais de 50 mm.

- ◆ Não utilize a ferramenta para criar sebes. Para criar sebes, use um corta-sebes.
- ◆ Oriente a ferramenta na roda, conforme indicado na fig. L.
- ◆ Para cortes mais próximos, incline ligeiramente a ferramenta.

Montagem de um novo cilindro de linha de corte (fig. M e N)

Os cilindros de linha de corte sobresselentes encontram-se

disponíveis no seu revendedor BLACK+DECKER (cat. n.º A6482). Também estão disponíveis pacotes com 3 cilindros de linha de corte (cat. n.º A6486).

- ◆ Desligue a ferramenta.
- ◆ Mantenha as patilhas (17) premidas e remova a tampa do cilindro (21) do compartimento (12) (fig. M).
- ◆ Remova o cilindro vazio (22) da tampa do cilindro.
- ◆ Remova a erva e poeiras da tampa do cilindro e do compartimento.
- ◆ Retire a extremidade da linha de corte e coloque a linha no ilhó (23) (fig. M). A linha deverá sair aproximadamente 11 cm da tampa do cilindro.

Nota: Tenha cuidado para não permitir que a linha do cilindro se desenrede. Segure-a sempre com firmeza com uma das mãos.

- ◆ Coloque o novo cilindro no cubo da tampa do cilindro. Rode ligeiramente o cilindro até encaixar.
- ◆ Alinhe as patilhas (17) da tampa do cilindro com os recortes (24) do compartimento (12).
- ◆ Empurre a tampa em direcção ao compartimento até encaixar de forma firme na posição respectiva.

Atenção! Se as linhas de corte ultrapassarem a lâmina de corte (11), corte-as para que cheguem apenas até à lâmina.

Montagem de uma nova peça de linha de corte para trabalhos pesados (fig. O e P)

Encontram-se disponíveis pacotes sobresselentes de 10 linhas de corte para trabalhos pesados no seu revendedor BLACK+DECKER (cat. n.º A6489).

Para montar uma nova peça de linha de corte, proceda da seguinte forma:

- ◆ Desligue a ferramenta.
- ◆ Mantenha as patilhas (17) premidas e remova a tampa do HDL (9) do compartimento (12).
- ◆ Remova a erva e poeiras da tampa do HDL (9) e do compartimento.
- ◆ Remova a linha usada da tampa do HDL (9).
- ◆ Enrole uma nova linha (20) através dos ilhós (27) de ambos os lados da tampa do HDL.
- ◆ Coloque a virola central (28) na posição indicada (Fig. P).
- ◆ Volte a colocar a tampa do HDL.

Aviso! Utilize sempre o tipo de linha de corte BLACK+DECKER adequado.

Resolução de problemas

Se achar que a sua ferramenta não está a funcionar correctamente, siga as instruções abaixo. Se não conseguir resolver o problema, contacte o agente de reparação BLACK+DECKER local.

Aviso! Antes de continuar, desligue a ferramenta.

A ferramenta está lenta

- ◆ Verifique se o compartimento do cilindro pode rodar livremente. Se necessário, limpe-o cuidadosamente.
- ◆ Certifique-se de que não saem do compartimento do cilindro mais de 11 cm da linha de corte. Caso contrário, corte-a para que chegue apenas até à lâmina da linha de corte.

A alimentação automática de linha não funciona

- ◆ Mantenha as patilhas premidas e remova a tampa do cilindro do compartimento.
- ◆ Puxe a linha de corte até que saiam 11 cm do compartimento. Se a linha de corte restante no cilindro for insuficiente, instale um novo cilindro de linha de corte conforme explicado acima.
- ◆ Alinhe as patilhas da tampa do cilindro com os recortes do compartimento.
- ◆ Empurre a tampa em direcção ao compartimento até encaixar de forma firme na posição respectiva.
- ◆ Se a linha de corte ultrapassar a lâmina de corte, corte-a para que chegue apenas até à lâmina.

Se a alimentação automática de linha continuar a não funcionar ou o cilindro estiver encravado, experimente as seguintes sugestões:

- ◆ Limpe cuidadosamente a tampa do cilindro e o compartimento.
- ◆ Remova o cilindro e verifique se a alavanca se pode movimentar sem restrições.
- ◆ Remova o cilindro e desenrole a linha de corte. Em seguida volte a enrolá-la de forma ordenada, conforme descrito acima. Substitua o cilindro seguindo as instruções.

Manutenção

O seu aparelho/ferramenta BLACK+DECKER com/sem fios foi concebido para funcionar durante um longo período de tempo com um mínimo de manutenção. O funcionamento contínuo e satisfatório depende de uma manutenção adequada e limpa regular da ferramenta/aparelho.

O seu carregador não necessita de manutenção para além da limpeza regular.

Aviso! Antes de proceder a qualquer acção de manutenção em ferramentas eléctricas com/sem fios:

- ◆ Desligue o aparelho/ferramenta e retire a respectiva ficha da tomada.
- ◆ Ou desligue e remova a bateria do aparelho/ferramenta caso o aparelho/ferramenta tenha uma bateria individual.
- ◆ Ou deixe a bateria descarregar completamente se estiver incorporada e, em seguida, desligue-a.
- ◆ Desligue o carregador antes de o limpar. O seu carregador não necessita de manutenção para além da limpeza regular.
- ◆ Limpe regularmente as ranhuras de ventilação da ferramenta/aparelho e do carregador com uma escova suave ou um pano seco.
- ◆ Limpe regularmente o compartimento do motor com um pano húmido. Não utilize produtos de limpeza abrasivos ou à base de solventes.
- ◆ Limpe regularmente a linha de corte e o cilindro com uma escova ou um pano seco e suave.
- ◆ Utilize regularmente uma raspadeira para remover relva e sujidade da parte inferior da protecção.

Protecção do ambiente



Faça uma recolha de lixo selectiva. Os produtos e baterias assinalados com este símbolo não devem ser eliminados em conjunto com resíduos domésticos normais

Os produtos e baterias contêm materiais que podem ser recuperados ou reciclados, reduzindo a necessidade de matérias-primas. Recicle os produtos eléctricos e as baterias de acordo com as disposições locais. Estão disponíveis mais informações em www.2helpU.com

Dados técnicos

		GL7033 Tipo 1	GL8033 Tipo 1	GL9035 Tipo 1
Tensão	V _{cc}	230	230	230
Potência utilizada	W	700	800	900
Velocidade sem carga	min ⁻¹	7000	7000	7000
Peso	kg	3.2	3.2	3.2

Nível de pressão acústica:	
Pressão acústica (L _p)	81 dB(A), imprecisão (K) 1.2 dB(A)
Potência acústica (L _{wa})	95 dB(A), imprecisão (K) 1.2 dB(A)

Valores totais de vibração (soma de vectores triax), em conformidade com a norma EN 50636-2-91:	
Valor de emissão de vibrações (a)	8.2 m/s ² , imprecisão (K) 1.5 m/s ²

Declaração de conformidade CE

**DIRECTIVA PARA MÁQUINAS
DIRECTIVA DE RÚIDO AMBIENTE**



GL7033/GL8033/GL9035 - Cortador

A Black & Decker declara que os produtos descritos nos "dados técnicos" estão em conformidade com:

2006/42/CE, EN60335-1:2012 + A11:2014 + A13:2017 + A1:2019 + A14:2019 + A2:2019, EN50636-2-91:2014.

2000/14/CE, Cortador, L < 50cm, Anexo VI, DEKRA Testing and Certification GmbH, Handwerkstraße 15, 70565, Estugarda Location Certification Body,

Dinnendahlstr. 9, 44809 Bochum, Alemanha

N.º do organismo notificado: 0158

L_{WA} (nível de potência sonora medida) 84 dB(A)
imprecisão (K) = 4,9 dB (A)

L_{WA} (potência sonora garantida) 96 dB(A)

Além disso, estes produtos também se encontram em conformidade com a Directiva 2014/30/UE e 2011/65/UE.

Para obter mais informações, contacte a Black & Decker através da morada indicada em seguida ou consulte o verso do manual.

O abaixo assinado é responsável pela compilação do ficheiro técnico e faz esta declaração em nome da Black & Decker.

Patrick Diepenbach

Patrick Diepenbach
Director General, Benelux
Black & Decker,
Egide Walschaertsstraat 14 -18
2800 Malinas, Bélgica
15.06.2021

Garantia

A Black & Decker confia na qualidade dos seus produtos e oferece aos clientes uma garantia de 24 meses a partir da data de compra. Esta garantia é um complemento dos seus direitos estabelecidos por lei, não os prejudicando de forma alguma. A garantia é válida nos Estados-membros da União Europeia e nos países-membros da Zona Europeia de Comércio Livre. Para accionar a garantia, esta deve estar em conformidade com os termos e condições da Black&Decker e terá de apresentar comprovativos de compra ao vendedor ou a um agente de reparação autorizado.

Os termos e condições da garantia de 2 anos da Black&Decker e a localização do agente de reparação autorizado mais próximo pode ser obtido na Internet em www.2helpU.com ou contactando uma filial da Black & Decker, cuja morada está indicada neste manual

Visite o nosso Website www.blackanddecker.co.uk para registar o novo produto Black & Decker e manter-se actualizado relativamente a novos produtos e ofertas especiais.

Användningsområde

Din GL7033, GL8033, GL8035 - Trimmer från BLACK+DECKER är avsedd för trimning av gräsmattans kanter och för klippning av gräs på begränsade områden. Redskapet är endast avsedd för konsumentbruk.

Säkerhetsföreskrifter

Varning! Vid användning av nätdrivna redskap ska grundläggande säkerhetsföreskrifter, inklusive följande föreskrifter, alltid följas. Detta för att förhindra brand, stötar, personskador och materialskador.

Varning! Vid användning av maskinen ska säkerhetsföreskrifterna följas. För din egen och närvarande personers säkerhet bör du läsa dessa instruktioner innan du använder maskinen. Spara instruktionerna för senare bruk.

- ♦ Läs hela den här bruksanvisningen noggrant innan du börjar använda redskapet.
- ♦ Användningsområdet beskrivs i den här bruksanvisningen. Användning av andra tillbehör eller tillsatser eller andra åtgärder som utförs med redskapet än de som rekommenderas i den här bruksanvisningen kan leda till personskador.
- ♦ Behåll den här bruksanvisningen för framtida referens.

Använda redskapet

Var alltid försiktig när du använder redskapet.

- ♦ Använd alltid säkerhetsglasögon eller skyddsglasögon.
- ♦ Låt aldrig barn eller personer som inte har läst instruktionerna använda redskapet.
- ♦ Låt inte barn eller djur komma i närheten av arbetsområdet. Låt dem inte heller röra vid redskapet eller elsladden.
- ♦ Om det finns barn i närheten när du använder redskapet ska du övervaka dem noga.
- ♦ Redskapet är inte avsett att användas av unga eller oerfarna personer utan övervakning.
- ♦ Detta redskap ska inte användas som leksak.
- ♦ Använd endast redskapet i dagsljus eller i tillräcklig artificiell belysning.
- ♦ Använd det endast på torra ställen. Skydda redskapet från väta.
- ♦ Doppa aldrig redskapet i vatten.
- ♦ Oppna inte höljet. Det finns inga delar inuti som kan repareras.
- ♦ För att undvika explosionsrisk bör du inte använda redskapet i omgivningar med brandfarliga vätskor, gaser eller damm.
- ♦ Dra aldrig i sladden när du vill ta ut kontakten ur uttaget. Detta för att minska risken för skador på kontakter och sladdar.

Säkerhet för andra

- ♦ Apparaten kan användas av barn från åtta år och personer med nedsatt fysisk eller psykisk förmåga eller bristande erfarenhet eller kunskap,

om de får lämplig vägledning och är medvetna om riskerna. Barn ska inte leka med apparaten. Rengöring och användarunderhåll ska inte utföras av barn utan övervakning

- ♦ Barn ska hållas under uppsikt så att de inte leker med apparaten.

Övriga risker

Ytterligare risker som inte finns med i de bifogade säkerhetsanvisningarna kan uppstå när verktyget används. Dessa risker kan uppstå vid felaktig användning, långvarig användning, o.s.v.

Även om alla relevanta säkerhetsanvisningar följs och säkerhetsanordningar används kan vissa ytterligare risker inte undvikas. Dessa innefattar:

- ♦ Skador orsakade av att roterande/rörliga delar vidrörs.
- ♦ Skador som uppstår vid byte av delar, blad eller tillbehör.
- ♦ Skador som orsakas av långvarig användning av ett verktyg. Se till att ta regelbundna raster när du använder ett verktyg under en längre period.
- ♦ Skador på hörseln.
- ♦ Hälsorisker orsakade av inandning av damm när redskapet används (exempel: arbete med trä, särskilt ek, bok och MDF).

Efter användning

- ♦ När det inte används bör redskapet förvaras utom räckhåll för barn på en torr plats med god ventilation.
- ♦ Placera redskapet på ett ställe där barn inte kan komma åt det.

- ♦ När redskapet förvaras eller transporteras i en bil ska det placeras i bagageutrymmet eller spännas fast så att det inte rör sig vid plötsliga ändringar av hastighet eller riktning.

Kontroll och reparationer

- ♦ Kontrollera att redskapet är intakt och att det inte innehåller några skadade delar innan du använder det. Kontrollera att inga delar är trasiga och att inget annat föreligger som kan påverka redskapets funktion.
- ♦ Använd inte redskapet om någon del har skadats eller gått sönder.
- ♦ Låt en auktoriserad verkstad reparera eller byta ut skadade eller trasiga delar.
- ♦ Försök aldrig ta bort eller byta ut andra delar än de som anges i den här bruksanvisningen.

Ytterligare säkerhetsanvisningar för grästrimmer

Varning! Skärande delar fortsätter att rotera en kort stund efter att du har stängt av motorn.

- ♦ Bekanta dig med reglagen och ta reda på hur redskapet ska användas.
- ♦ Före användning kontrollerar du om elsladden och förlängningsladden visar tecken på skador, åldrande eller slitage. Om en sladd skadas när du använder redskapet kopplar du omedelbart bort sladden från elnätet. ROR INTE VID SLADDEN INNAN DU DRAGIT UT DEN UR UTTAGET.
- ♦ Använd inte redskapet om sladdarna

- är skadade eller utslitna.
- Bär kraftiga skor eller stövlar för att skydda dina fötter.
 - Bär långbyxor för att skydda dina ben.
 - Innan du använder redskapet ska du se till att det område som ska trimmas är fritt från grenar, stenar, ledningar och andra hinder.
 - Använd endast redskapet i upprätt position med skärlinan nära marken. Slå aldrig på redskapets strömbrytare i något annat läge.
 - Rör dig långsamt när du använder redskapet. Tänk på att nyklippt gräs är fuktigt och halt.
 - Använd inte redskapet på branta sluttningar. Arbeta tvärs över sluttningar, inte upp och ner.
 - Korsa inte grusgångar eller vägar medan redskapet är i drift.
 - Vidrör aldrig skärlinan när redskapet används.
 - Sätt inte ner redskapet förrän skärlinan har slutat rotera helt.
 - Använd endast rätt sorts skärlina. Använd aldrig skärlina i metall eller fiskelina.
 - Var noggrann med att aldrig röra vid skärbladet.
 - Var noga med att hålla sladden borta från skärlinan. Håll hela tiden reda på var sladden befinner sig.
 - Håll alltid händer och fötter borta från skärlinan, särskilt då motorn startas.
 - Innan du använder redskapet, och efter alla sorters stötar, bör du undersöka den efter tecken på slitage eller

- skada och reparera på lämpligt vis.
- Använd inte redskapet med skadade skydd eller utan skydden på plats.
 - Var försiktig så att du inte skadas av anordningar för justering av fiberlinans längd. Efter att ha dragit ut ny skärlina ska du alltid placera maskinen i normalt driftsläge innan den startas.
 - Kontrollera alltid att ventilationsöppningarna hålls fria från skräp.
 - Använd inte grästrimmern (kanttrimmern) om sladdarna är skadade eller utslitna.
 - Håll förlängningssladdar borta från skärande delar.

Elsäkerhet



Eftersom redskapet är dubbelsolerat behövs ingen jordledare. Kontrollera alltid att nätspänningen överensstämmer med värdet på typskylten.

- Om nätsladden är skadad måste den bytas ut av tillverkaren eller en auktoriserad BLACK+DECKER-verkstad för att undvika farliga situationer.
- Elsäkerheten kan förbättras ytterligare genom att man använder en jordfelsbrytare med hög känslighet (30 mA).

Etiketter på redskapet

Redskapet är märkt med följande varningssymboler tillsammans med datumkoden:



Läs bruksanvisningen innan du använder redskapet.



Bär alltid skyddsglasögon när du använder redskapet.



Bär lämpliga hörselskydd när du använder redskapet.



Dra alltid ur kontakten ur eluttaget innan du undersöker en skadad sladd. Använd aldrig trimmern om sladden är skadad.



Se upp för flygande föremål. Håll andra personer borta från trimmerns arbetsområde.



Låt inte redskapet komma i kontakt med regn eller hög luftfuktighet.



Garanterad ljudnivå enligt direktiv 2000/14/EG.

Funktioner

Det här redskapet har några eller samtliga av följande funktioner.

1. Strömbrytare
2. Handtag
3. Sladdhållare
4. Eluttag
5. Extrahandtag
6. Justeringsknapp
7. Skaft
8. Förvaring för reservspole
9. HDL-spole
10. Skydd
11. Skärblad
12. Spolhölje
13. Skärlina
14. Kanthjul

Montering

Varning! Se till att verktyget är avstängt och urkopplat innan montering.

Montera skyddet (fig. A och B)

- ◆ Ta bort skruven (15) från skyddet (10).
- ◆ Montera skyddet (10) på verktyget enligt bilden.
- ◆ Tryck på skyddet tills det klickar på plats.
- ◆ Fäst skyddet med skruven.
- ◆ Dra åt skruven.

Varning! Använd aldrig verktyget om inte skyddet är ordentligt monterat.

Sätta fast extrahandtaget (fig. C)

- ◆ Tryck in och håll ned justeringsknappen (6) på sidan av huvudenheten.
- ◆ Skjut extrahandtaget (5) på plats över justeringsknappen (6).

Varning! Se till att tänderna på knappen är rätt inpassade i handtagets öppningar samt att handtaget sitter fast ordentligt.

Justera extrahandtagets läge (fig. D)

Extrahandtaget (5) kan justeras för att ge optimal balans och komfort.

- ◆ Tryck in justeringsknappen (6) på handtagets vänstra sida.
- ◆ Roter extrahandtaget (5) till önskat läge.
- ◆ Släpp justeringsknappen (6).

Varning! Se till att tänderna på knappen är rätt inpassade i handtagets öppningar samt att handtaget sitter fast ordentligt.

Justera höjden på verktyget (fig. E och F)

Verktyget har ett teleskopskaft som gör att du kan justera det till komfortabel arbetshöjd. Det finns flera höjdställningar. Gör så här för att justera höjdställningen:

- ◆ Lossa låsklämman för höjjusteringen (16).
- ◆ Dra försiktigt skaftet (7) uppåt eller nedåt till önskad höjd.
- ◆ Stäng låsklämman för höjjusteringen (16).

Lossa skärlinan

Under transport är skärlinan fäst vid spolhöljet.

Varning! Ta ur batteriet innan du sätter ihop verktyget.

- ◆ Lossa på tejen över skärlinan på spolhöljet (12).

Förvara spolen som inte används (fig. G)

Verktyget har två skärsystem:

- ◆ **AFS:** En enda automatisk linmatning för enklare trimning och kantning.
- ◆ **HDL:** Heavy Duty Dual Line-skärsystem för områden med långt gräs.

Obs! HDL-spolen är endast avsedd för användning i trimningsläge.

Det skärsystem som inte används kan förvaras i förvaringsfacket för reservspolen (endast GL8033 och GL9035).

- ◆ Placera låsspärrarna (17) på spolkåpan i linje med hålen (18) i förvaringsfacket för extraspole (8).
- ◆ Tryck fast kåpan på förvaringsfacket för reservspolen tills den klickar på plats ordentligt.

Ansluta redskapet till elnätet (fig. H)

- ◆ Anslut honkontakten på en lämplig förlängningskabel till eluttaget (4).
- ◆ Dra sladden genom sladdhållaren (3).
- ◆ Anslut nätsladden till eluttaget.

För trådbundna kabelsatser: Kontrollera att sladden är dragen genom sladdhållaren innan du ansluter kontakten till eluttaget.

Varning! Förlängningssladden måste vara lämpad för utomhusbruk.

Användning

Varning! Låt redskapet arbeta i sin egen takt. Överbelasta inte verktyget.

Ställa in verktyget för trimning eller kantningsläge (fig. I och J)

Verktyget kan användas i trimningsläge enligt fig. I eller i kantningsläge när du behöver trimma gräs som hänger över gräsmattans kanter och rabatter enligt fig. J.

Trimningsläge (fig. I)

För trimning bör trimmerhuvudet vara i läget enligt fig. I. Om det inte är det:

- ◆ Lossa låsklämman för höjdjusteringen (16).
- ◆ Vrid skaffet (7) medurs.
- ◆ Stäng låsklämman för höjdjusteringen (16) när huvudet är i rätt läge.

Obs! Skaffet roterar bara i en riktning.

Obs! HDL-spolen är avsedd för användning i trimningsläge.

Kantningsläge (fig. J)

För kantning bör trimmerhuvudet vara i läget enligt fig. J. Om det inte är det:

- ◆ Lossa låsklämman för höjdjusteringen (16).
- ◆ Vrid skaffet (7) moturs.
- ◆ Stäng låsklämman för höjdjusteringen (16) när huvudet är i rätt läge.

Obs! Skaffet roterar bara i en riktning.

Slå på och av

- ◆ Starta verktyget genom att trycka in strömbrytaren (1).
- ◆ Stäng av redskapet genom att släppa upp handtaget.

Varning! Försök aldrig låsa strömbrytarhandtaget i påslaget läge.

Råd för optimal användning**Allmänt**

- ◆ Resultatet blir bäst om gräset är torrt vid klipptillfället.

Trimning

- ◆ Håll redskapet som bilden visar (fig. K).
- ◆ Pendlå försiktigt med redskapet från sida till sida.
- ◆ När långt gräs ska trimmas, arbeta i etapper uppifrån och ned. Klipp lite åt gången.
- ◆ Undvik att gå nära hårda föremål och känsliga växter.
- ◆ Skärlinan slits fortare och kräver mer utmatning om trimningen sker långs stenläggningar eller andra sträva ytor eller om kraftiga växter trimmas.
- ◆ Om redskapet börjar gå långsamt, minska belastningen.

Kantning

Optimalt resultat uppnås på kanter som är högre än 50 mm.

- ◆ Använd inte verktyget för att skapa kanter. Använd en kantspade för att skapa kanter.
- ◆ Styr redskapet med hjulet som bilden visar (fig. L).
- ◆ Om du vill ha kortare gräs lutar du verktyget lite.

Montera en ny spole med skärlina (fig. M och N)

Spolar med skärlina finns att köpa hos din BLACK+DECKER-återförsäljare (katalognr A6482). Paket med tre spolar skärlina finns också att köpa (katalognr A6486).

- ◆ Dra ur kontakten till verktyget.
- ◆ Håll låsspärrarna (17) nedtryckta och ta bort spolkåpan (21) från höljet (12) (fig. M).
- ◆ Ta bort den tomma spolen (22) från spolkåpan.
- ◆ Avlägsna smuts och gräs från spolkåpan och höljet.
- ◆ Lossa änden för skärlinan och styr linan genom öppningen

(23) (fig. M). Linan bör sticka ut ungefär 11 cm från spolkåpan.

Obs! Se till att linan på spolen inte trasslar ihop sig. Håll fast den med en hand hela tiden.

- ◆ Ta den nya spolen och tryck fast den på centrumdelen i spolkåpan. Roter spolen lätt tills den sitter fast.
- ◆ Placera låsspärrarna (17) på spolkåpan i linje med hålen (24) i höljet (12).
- ◆ Tryck fast kåpan på höljet tills den klickar på plats ordentligt.

Varning! Om skärlinorna sticker ut längre än skärbladet (11) klipper du av den så att den bara når till bladet.

Montera en ny kraftig skärlina (fig. O och P)

Förpackningar med 10 kraftiga skärlinor finns att köpa hos din BLACK+DECKER-återförsäljare (katalognr A6489).

Du monterar en ny skärlina på följande sätt:

- ◆ Dra ur kontakten till verktyget.
- ◆ Håll låsspärrarna (17) nedtryckta och avlägsna HDL-kåpan (9) från höljet (12).
- ◆ Avlägsna all smuts och gräs från hdl-kåpan (9) och höljet.
- ◆ Ta bort den gamla linan från HDL-kåpan (9).
- ◆ Träd den nya linan (20) genom ögonen (27) på båda sidorna av HDL-kåpan.
- ◆ Placera centerbeslaget (28) enligt bilden (Fig. P).
- ◆ Sätt tillbaka HDL-kåpan igen.

Varning! Använd endast rätt sorts skärlina från BLACK+DECKER.

Felsökning

Om produkten inte fungerar som den ska följer du instruktionerna nedan. Om det inte löser problemet kontaktar du närmaste BLACK+DECKER-verkstad.

Varning! Dra ur kontakten till redskapet innan du fortsätter.

Trimmern går långsamt

- ◆ Kontrollera att spolhöljet kan rotera fritt. Rengör det med försiktighet om nödvändigt.
- ◆ Kontrollera att skärlinan inte sticker ut mer än 11 cm från spolhöljet. Om den gör det skär du av den så att den bara når till skärbladet.

Om den automatiska linmataren inte fungerar

- ◆ Håll låsspärrarna nedtryckta och avlägsna spolkåpan från höljet.
- ◆ Dra ut skärlinan tills den sticker ut 11 cm från höljet. Om spolen inte innehåller tillräckligt lång lina, installera en ny spole skärlina enligt ovanstående instruktioner.
- ◆ Placera låsspärrarna på spolkåpan i linje med hålen i höljet.
- ◆ Tryck fast kåpan på höljet tills den klickar på plats ordentligt.
- ◆ Om skärlinan sticker ut längre än skärbladet klipper du av den så att den bara når till bladet.

Om den automatiska linmataren fortfarande inte fungerar eller spolen sitter fast, prova följande:

- ◆ Rengör spolkåpan och höljet noggrant.

- ◆ Avlägsna spolen och kontrollera att spaken kan röra sig fritt.
- ◆ Ta loss spolen och linda upp skärlinan. Linda sedan på den ordentligt igen som beskrivet ovan. Ersätt spolen enligt instruktionerna.

Underhåll

Det här BLACK+DECKER-redskapet (med eller utan sladd) är konstruerat för att fungera under lång tid med minsta möjliga underhåll. Med rätt underhåll och regelbunden rengöring behåller verktyget/redskapet sin kapacitet. Laddaren behöver inget annat underhåll än regelbunden rengöring.

Varning! Innan något underhåll utförs på elektriska redskap med eller utan sladd:

- ◆ Stäng av redskapet/verktyget och dra ur nätkontakten.
- ◆ Du kan också ta ut batteriet ur redskapet om redskapet har ett separat batteri.
- ◆ Om batteriet är inbyggt låter du det laddas ur helt innan avstängningen.
- ◆ Dra ur sladden till laddaren innan du rengör den. Laddaren behöver inget annat underhåll än regelbunden rengöring.
- ◆ Rengör regelbundet redskapets/verktygets/laddarens luftintag med en mjuk borste eller torr trasa.
- ◆ Rengör motorkåpan regelbundet med en fuktig trasa. Använd aldrig rengöringsmedel med lösnings- eller slipmedel.
- ◆ Rengör regelbundet skärlinan och spolen med en mjuk borste eller torr trasa.
- ◆ Ta med jämna mellanrum bort gräs och smuts från skyddets undersida med en slö skrapa.

Skydda miljön



Recogida selectiva. Los productos y las baterías marcadas con este símbolo no se deben eliminar con los residuos domésticos normales.

Los productos y las baterías que contienen materiales que se puedan recuperar o reciclar reducen la demanda de materias primas. Recicle los productos eléctricos y el conjunto de la batería de conformidad con la normativa local. Puede obtener más información en www.2helpU.com.

Tekniska data

		GL7033 Typ 1	GL8033 Typ 1	GL9035 Typ 1
Spänning	V _{ac}	230	230	230
Ineffekt	W	700	800	900
Tomgångshastighet	min ⁻¹	7000	7000	7000

		GL7033 Typ 1	GL8033 Typ 1	GL9035 Typ 1
Vikt	kg	3.2	3.2	3.2

Ljudnivå:

Ljudnivå (L_W) 81 dB(A), osäkerhet (K) 1.2 dB(A)

Ljudeffekt (L_{WA}) 95 dB(A), osäkerhet (K) 1.2 dB(A)

Totala vibrationsvärden (vektorsumman av tre axlar) enligt EN 50636-2-91:

Vibrationsvärde (a_v) 8.2 m/s², osäkerhet (K) 1.5 m/s²

EG-deklaration om överensstämmelse

MASKINDIREKTIV
BULLERFÖRESKRIFTER, UTMOMHUS



ST4525/ST5528/ST5530 - Trimmer

Black & Decker försäkrar att dessa produkter, beskrivna under "tekniska data" uppfyller:

2006/42/EC, EN60335-1:2012 + A11:2014 + A13:2017 + A1:2019 + A14:2019 + A2:2019, EN50636-2-91:2014.

2000/14/EG, Trädtrimmer, L < 50 cm, Annex VI,

DEKRA Testing and Certification GmbH,

Handwerkstraße 15, 70565 Stuttgart

Location Certification Body,

Dinnendahlstr. 9, 44809 Bochum, Tyskland

Anmälat organ nummer: 0158

L_{WA} (uppmätt ljudeffektnivå) 84 dB(A)

Osäkerhet (K) = 1,2 dB(A)

L_{WA} (garanterad ljudnivå) 96 dB(A).

Dessa produkter uppfyller dessutom direktiven

2014/30/EU och 2011/65/EU.

För mer information, var god kontakta Black & Decker på följande adress, eller se handbokens baksida.

Undertecknad är ansvarig för sammanställning av den tekniska filen och gör denna förklaring på Black & Deckers vägnar.

Patrick Diepenbach

Patrick Diepenbach

General Manager, Benelux

Black and Decker,

Egide Walschaertsstraat 14-18

2800 Mechelen, Belgien

15.06.2021

Garanti

Black & Decker är säker på kvaliteten hos denna produkt och erbjuder kunder 24 månaders garanti från inköpsdatumet. Garantin gäller utöver konsumentens rättigheter enligt lag och påverkar inte dessa. Garantin är giltig i de territorier som tillhör

medlemsstaterna i Europeiska unionen och det europeiska frihandelsområdet. För yrkande under garantin måste yrkandet vara i enlighet med Black&Deckers villkor och du kommer att behöva skicka in bevis på köpet till försäljaren eller en auktoriserad reparatör.

Villkoren för Black&Deckers tvååriga garanti och var du hittar din närmaste auktoriserade reparatör kan erhållas på internet på www.2helpU.com, eller genom att kontakta ditt lokala Black & Decker kontor på adressen som angetts i denna bruksanvisning.

Besök vår webbplats www.blackanddecker.se för att registrera din nya Black & Decker-produkt samt för att få information om nya produkter och specialerbjudanden.

Bruksråd

BLACK+DECKER-GL7033, GL8033, GL8035 - Trimmeren er konstruert for å trimme og pynte plenkanter og slå gress på trange steder. Verktøyet er beregnet bare som konsument-verktøy.

Sikkerhetsinstruksjoner

Advarsel! Når du bruker apparater som drives med strøm fra nettet, må grunnleggende sikkerhetsforholdsregler (inkludert punktene som er beskrevet nedenfor) alltid følges for å redusere risikoen for brann, elektrisk støt, personskade og skade på materiell.

Advarsel! Når du bruker maskinen, må du følge sikkerhetsreglene. Les disse instruksjonene før du bruker maskinen, for å ivareta sikkerheten for deg selv og personer i nærheten. Ta vare på instruksjonene for senere bruk.

- ♦ Les hele denne håndboken nøye før du bruker apparatet.
- ♦ Beregnet bruk er beskrevet i denne håndboken. Hvis du bruker annet tilbehør, kobler til annet utstyr eller bruker dette produktet til andre oppgaver enn det som er anbefalt i denne håndboken, kan det føre til fare for personskade.
- ♦ Ta vare på denne håndboken for frem-

tidig bruk.

Bruke verktøyet

Vær alltid forsiktig når du bruker verktøyet.

- ♦ Bruk alltid vernebriller.
- ♦ La aldri barn eller personer som ikke kjenner instruksjonene, bruke apparatet.
- ♦ Pass på at barn og dyr ikke kommer i nærheten av arbeidsområdet eller kommer i berøring med apparatet eller strømledningen.
- ♦ Pass godt på, og vær forsiktig når apparatet brukes i nærheten av barn.
- ♦ Det er ikke meningen at dette apparatet skal brukes av unge eller svakelige personer uten tilsyn.
- ♦ Dette verktøyet skal ikke brukes som leketøy.
- ♦ Bruk apparatet bare i dagslys eller god kunstig belysning.
- ♦ Brukes bare i tørre omgivelser. Ikke la apparatet bli vått.
- ♦ Ikke senk apparatet ned i vann.
- ♦ Ikke åpne huset til verktøyet. Det er ingen deler inni som brukere skal håndtere.
- ♦ Ikke arbeid med apparatet i eksplosjonsfarlige omgivelser, for eksempel på steder der det finnes brennbare væsker, gasser eller støv.
- ♦ Dra aldri i kabelen når du skal ta støpselet ut av stikkkontakten. Dermed reduserer du risikoen for skade på støpsel og kabel.

Andre personers sikkerhet

- Dette apparatet kan brukes av barn på 8 år eller mer og personer som har reduserte fysiske, sansemessige eller mentale evner, eller som mangler erfaring og kunnskap, hvis de har tilsyn eller har fått veiledning i bruk av apparatet på en trygg måte og forstår farene som foreligger. Barn skal ikke leke med apparatet. Rengjøring og brukervedlikehold skal ikke utføres av barn uten tilsyn.
- Barn skal være under oppsyn så du er sikker på at de ikke leker med produktet.

Andre risikoer

Ved bruk av produktet kan det oppstå ytterligere risikoer som kanskje ikke er inkludert i sikkerhetsadvarslene som følger med. Disse risikoene kan bli forårsaket av feil bruk, langvarig bruk osv. Selv om de relevante sikkerhetsbestemmelsene blir fulgt, og sikkerhetstiltakene blir gjennomført, kan visse gjenværende risikoer ikke unngås. Disse omfatter:

- Personskader som forårsakes av berøring av en roterende/bevegelig del.
- Personskader som forårsakes av at en del, et blad eller tilbehør endres.
- Personskader som forårsakes av langvarig bruk av et verktøy. Når du bruker et verktøy i lange perioder, må du sørge for å ta regelmessige pauser.
- Svekket hørsel.
- Helsefarer som forårsakes av innånding av støv som dannes når du bruker

apparatet (for eksempel i arbeid med tre, spesielt eik, bøk og MDF).

Etter bruk

- Når produktet ikke er i bruk, skal det oppbevares på et tørt og godt ventilert sted utilgjengelig for barn.
- Oppbevar apparatet utilgjengelig for barn.
- Når produktet oppbevares eller transporteres i et kjøretøy, bør det plasseres i bagasjerommet eller festes, slik at det ikke påvirkes av raske farts- eller retningsendringer.

Kontroll og reparasjon

- Kontroller at apparatet ikke er skadet eller har defekte deler før du bruker det. Kontroller om noen av delene er skadet, eller om det er andre forhold som kan påvirke bruken.
- Ikke bruk apparatet hvis noen del er skadet eller defekt.
- Overlat reparasjon eller utskifting av skadde eller defekte deler til et autorisert serviceverksted.
- Forsøk aldri å fjerne eller bytte ut andre deler enn de som er oppgitt i denne håndboken.

Ytterligere sikkerhetsinstruksjoner gresstrimmere

Advarsel! Skjæreelementene vil fortsette å rotere etter at motoren er slått av.

- Gjør deg kjent med hvordan man betjener og bruker apparatet på riktig måte.

- ♦ Før bruk må du kontrollere strømledning og skjøteledning for tegn på skade, aldning og slitasje. Hvis en ledning blir skadet under bruk, må du øyeblikkelig koble produktet fra strømmettet. IKKE TA PÅ STRØMLEDNINGEN FØR DEN ER KOBLET FRA STIKKONTAKTEN.
- ♦ Ikke bruk apparatet hvis ledninger er skadet eller slitte.
- ♦ Bruk solide sko eller støvler for å beskytte føttene.
- ♦ Bruk lange bukser for å beskytte bena.
- ♦ Før du bruker verktøyet, må du kontrollere at det ikke er pinner, steiner, tråd eller andre gjenstander i skjærebanelen.
- ♦ Bruk apparatet bare i opprett stiling med skjærelinjen nær bakken. Ikke slå verktøyet på i noen annen stiling.
- ♦ Beveg deg sakte når du bruker verktøyet. Husk at nyklipt gress er fuktig og glatt.
- ♦ Ikke arbeid i bratte skråninger. Arbeid på langs av skråninger, ikke opp og ned.
- ♦ Kryss aldri stier med grus mens verktøyet går.
- ♦ Berør aldri skjæretråden mens verktøyet er i gang.
- ♦ Ikke sett verktøyet ned før skjæretråden har stanset helt.
- ♦ Bruk bare riktig type skjæretråd. Bruk aldri skjæretråd av metall eller fiskesnøre.
- ♦ Pass på at du ikke berører trådtrimmebladet.
- ♦ Pass på å holde strømledningen unna skjæretråden. Vær alltid oppmerksom på hvor ledningen er.
- ♦ Hold alltid hender og føtter borte fra skjæretråden, særlig når du slår på motoren.
- ♦ Før du bruker verktøyet, og etter et støt, må du undersøke om det er tegn på slitasje eller skade og få verktøyet reparert etter behov.
- ♦ Bruk aldri verktøyet med skadet vern eller uten vern på plass.
- ♦ Vær varsom så du unngår personskade på grunn av utstyr som er montert for å trimme lengden på filamenttråden. Når ny skjæretråd er matet ut, må du alltid sette verktøyet tilbake i normal bruksstilling før du slår det på.
- ♦ Pass alltid på at ventilasjonsåpningene er fri for rusk.
- ♦ Ikke bruk plentrimmeren (kanttrimmeren) hvis ledningene er skadet eller slitt.
- ♦ Hold skjøteledninger unna skjæreelementer.

Elektrisk sikkerhet



Dette apparatet er dobbeltisolert. Jording er derfor ikke nødvendig. Kontroller alltid at strømforsyningen er i overensstemmelse med spenningen på typeskiltet.

- ♦ Hvis strømledningen blir skadet, må den skiftes av produsenten eller et autorisert BLACK+DECKER-service-senter for å unngå fare.
- ♦ Strømsikkerheten kan forbedres ytterligere ved bruk av jordfeilbryter på 30 mA med høy følsomhet (RCD).

Produktmerking

Apparatet er merket med følgende advarselsymboler sammen med dato kode:



Les håndboken før bruk.



Benytt vernebriller når du bruker dette produktet.



Benytt passende hørselvern når du bruker dette produktet.



Trekk alltid støpselet ut av kontakten før du inspisierer en ødelagt ledning. Bruk aldri trimmeren hvis ledningen er skadet.



Vær oppmerksom på flygende gjenstander. Hold personer i nærheten borte fra skjæreområdet.



Ikke utsett apparatet for regn eller høy fuktighet.



Garantert lydeffekt i henhold til direktiv 2000/14/EF.

Funksjoner

Dette apparatet har noen av eller alle funksjonene nedenfor:

1. Av/på-bryter
2. Håndtak
3. Ledningsfeste
4. Strømningang
5. Ekstrahåndtak
6. Justeringsknapp
7. Rør
8. Rom for reservespole
9. HDL-spole
10. Beskyttelsesskjerm
11. Trådtrimmeblad
12. Spolehus
13. Skjæretråd
14. Kanthjul

Montering

Advarsel! Før monteringen må du passe på at apparatet er slått av og støpselet trukket ut.

Feste beskyttelsesskjermen (figur A og B)

- ◆ Fjern skruen (15) fra beskyttelsesskjermen (10).
- ◆ Plasser beskyttelsesskjermen (10) på verktøyet som vist.
- ◆ Trykk bestemt på beskyttelsesskjermen til den smetter på plass.

- ◆ Sikre beskyttelsesskjermen med skruen.
- ◆ Stram skruen.

Advarsel! Bruk aldri verktøyet uten riktig montert beskyttelsesskjerm.

Feste ekstrahåndtaket (figur C)

- ◆ Trykk inn justeringsknappen (6) på siden av hoveddelen og hold den inne.
- ◆ Skyv ekstrahåndtaket (5) på plass over justeringsknappen (6).

Advarsel! Pass på at tennene på knappen sitter korrekt i sporene på håndtaket, og at håndtaket sitter fast.

Justere stillingen til ekstrahåndtaket (figur D)

Ekstrahåndtaket (5) kan justeres for å gi best mulig balanse og komfort.

- ◆ Trykk inn justeringsknappen (6) på venstre side av håndtaket.
- ◆ Vri ekstrahåndtaket (5) til riktig posisjon.
- ◆ Slipp justeringsknappen (6).

Advarsel! Pass på at tennene på knappen sitter korrekt i sporene på håndtaket, og at håndtaket sitter fast.

Justere høyden til verktøyet (figur E og F)

Dette verktøyet har en teleskopmekanisme, slik at du kan stille inn en komfortabel høyde. Det er flere høydeinnstillinger. Slik stiller du inn høyden:

- ◆ Løsne låseklemmen for høydejustering (16).
- ◆ Trekk røret (7) forsiktig opp eller ned til ønsket høyde.
- ◆ Lukk låseklemmen for høydejustering (16).

Løsne skjæretråden

Under transport er skjæretråden tapet til spolehuset.

Advarsel! Fjern batteriet fra apparatet før montering.

- ◆ Fjern tapen som fester skjæretråden til spolehuset (12).

Lagre spolen når den ikke er i bruk (figur G)

Verktøyet har to kuttesystemer:

- ◆ **AFS:** Automatisk mating av enkelttråd for lett trimming og kantklipp.
 - ◆ **HDL:** Kraftig trådkuttesystem for mer gjengroddede områder.
- Merknad:** HDL-spolen skal bare brukes i trimmingsmodus. Når kuttesystemet ikke er i bruk, kan det oppbevares i rommet til reservespolen (gjelder GL8033 og GL9035).
- ◆ Plasser tappene (17) på spoledekslet i forhold til utsnittene (18) i rommet til reservespolen (8).
 - ◆ Skyv dekslet over på rommet til reservespolen til det smetter ordentlig på plass.

Justere høyden til verktøyet (figur E og F)

- ◆ Koble hunnkontakten på en passende skjøteledning til strømningangen (4).
- ◆ Legg kabelen i en løkke gjennom kabelfestet (3).
- ◆ Sett støpselet i en stikkontakt.

For opprullede kabelenheter: Pass på at kabelen er lagt gjennom kabelfestet før du setter støpselet i stikkontakten.

Advarsel! må være godkjent for utendørs bruk.

Bruk

Advarsel! La apparatet arbeide i sin egen hastighet. Ikke overbelast det.

Sette verktøyet i trimmings- eller kantskjæringsmodus (figur I og J)

Verktøyet kan brukes i trimmingsmodus som vist i figur I, eller i kantskjæringsmodus for å trimme gress som henger over kanten av en plen eller et blomsterbed, som vist i figur J.

Trimmingsmodus (figur I)

Ved trimming skal trimmehodet være i stillingen som er vist i figur I. Hvis ikke, gjør du følgende:

- ◆ Løsne låseklemmen for høydejustering (16).
- ◆ Drei røret (7) med klokken.
- ◆ Lukk låseklemmen for høydejustering (16) når hodet er på plass.

Merk: Røret roterer bare i én retning.

Merk: HDL-spolen skal brukes i trimmingsmodus.

Kantmodus (figur J)

Ved kantskjæring skal trimmehodet være i stillingen som er vist i figur J. Hvis ikke, gjør du følgende:

- ◆ Løsne låseklemmen for høydejustering (16).
- ◆ Drei røret (7) mot klokken.
- ◆ Lukk låseklemmen for høydejustering (16) når hodet er på plass.

Merk: Røret roterer bare i én retning.

Slå av og på

- ◆ Trykk på strømnappen (1) for å slå verktøyet på.
- ◆ Slipp utløseren for å slå verktøyet av.

Advarsel! Ikke prøv å låse utløseren i på-stilling.

Råd for optimal bruk

Generelt

- ◆ Klipp bare tørt gress for å få best mulig resultat.

Trimming

- ◆ Hold verktøyet som vist i figur K.
- ◆ Sving trimmeren rolig fra side til side.
- ◆ Når du klipper langt gress, arbeider du i trinn fra toppen. Kutt litt av gangen.
- ◆ Hold verktøyet unna harde gjenstander og sårbare planter.
- ◆ Skjæretråden slites fortere og trenger påfyll hvis du klipper langs fortau eller andre slipende overflater eller kutter kraftig ugress.
- ◆ Hvis verktøyet begynner å gå langsomt, reduserer du belastningen langsomt.

Kantskjæring

Du oppnår best mulig resultat på kanter som er dypere enn 50 mm.

- ◆ Ikke bruk verktøyet til å lage kanter. Bruk en kantspade til å lage kanter.
- ◆ Før verktøyet på hjulene som vist i figur L.
- ◆ Hold verktøyet litt på skrå for å skjære tettere

Feste en ny spole med skjæretråd (figur M og N)

Ekstra spoler med skjæretråd får du hos din BLACK+DECKER-forhandler (katalognummer A6482). Du kan også få pakker å tre spoler med skjæretråd (katalognummer A6486).

- ◆ Koble verktøyet fra strømmen.
- ◆ Hold tappene (17) inne og ta spoledekeleet (21) ut av huset (12) (figur M).
- ◆ Ta den tomme spolen (22) ut av spoledekeleet.
- ◆ Fjern eventuelt smuss og gress fra spoledekeleet og -huset
- ◆ Løsne enden av skjæretråden og før tråden inn i hullet (23) (figur M). Tråden skal stikke frem ca. 11 cm fra spoledekeleet.

Merknad: Pass på at spoletråden ikke løsner. Hold den alltid fast med én hånd.

- ◆ Trykk den nye spolen inn på tappen i spoledekeleet. Drei litt på spolen til den sitter på plass.
- ◆ Plasser tappene (17) på spoledekeleet i forhold til utsnittene (24) i huset (12).
- ◆ Skyv dekeleet på huset til det klikker på plass.

Advarsel! Hvis skjæretråden rekker lenger ut enn trimmebladet (11), kutter du den av, slik at den akkurat når frem til bladet.

Feste en ny kraftig skjæretråd (figur O og P)

Ekstra pakker med 10 kraftige skjæretråder får du hos din BLACK+DECKER-forhandler (katalognummer A6489). Slik fester du en ny skjæretråd:

- ◆ Koble verktøyet fra strømmen.
- ◆ Hold tappene (17) inne og ta HDL-lokket (9) ut av huset (12).
- ◆ Fjern eventuelt smuss og gress fra HDL-lokket (9) og huset.
- ◆ Fjern den brukte trådbiten fra HDL-lokket (9).
- ◆ Tre et nytt trådstykke (20) gjennom hullene (27) på en av sidene av HDL-lokket.
- ◆ Plasser den midtre klemringen (28) i den angitte posisjonen (Fig. P).
- ◆ Sett på HDL-lokket igjen.

Advarsel! Bruk bare riktig type skjæretråd fra BLACK+DECKER.

Problemløsning

Hvis det ikke virker som verktøyet fungerer riktig, følger du instruksjonene nedenfor. Hvis problemet ikke løses, kontakter du ditt lokale BLACK+DECKER-serviceverksted.

Advarsel! Koble verktøyet fra strømmen før du fortsetter.

Verktøyet går langsomt

- ◆ Kontroller at spolehuset kan dreies fritt. Rengjør det omhyggelig etter behov.
- ◆ Kontroller at skjæretråden ikke stikker ut mer enn 11 cm fra spolehuset. Hvis den gjør det, kutter du den av slik at den akkurat når trimmebladet for tråden.

Automatisk mating av tråd virker ikke

- ◆ Hold tappene inne, og ta spoledekeleet av huset.
- ◆ Trekk i skjæretråden til den stikker ut 11 cm fra spolehuset. Hvis det ikke er nok tråd igjen på spolen, monter

du en ny spole med skjæretråd som forklart ovenfor.

- ◆ Plasser tappene på spoledekslet i forhold til hullene i huset.
- ◆ Skyv dekslet på huset til det klikker på plass.
- ◆ Hvis skjæretråden rekker lenger enn trimmebladet, kutter du den av, så den når bladet akkurat.

Hvis den automatiske matingen av tråd fremdeles ikke virker, eller hvis spolen sitter fast, kan du prøve følgende forslag:

- ◆ Rengjør spoledekslet og -huset godt.
- ◆ Ta ut spolen, og kontroller at hendelen kan bevege seg fritt.
- ◆ Ta ut spolen, og rull ut skjæretråden. Snurr den på ordentlig igjen, som beskrevet ovenfor. Sett spolen på plass igjen som forklart.

Vedlikehold

Det nettdrevne/batteridrevne BLACK+DECKER-apparatet/verktøyet er konstruert for å være i drift over lengre tid med et minimum av vedlikehold. Verktøyet/apparatet er avhengig av riktig stell og regelmessig rengjøring for å fungere som det skal til enhver tid.

Laderen krever ikke annet vedlikehold enn regelmessig rengjøring.

Advarsel! Før du utfører vedlikehold på nettdrevet/batteridrevet elektroverktøy:

- ◆ Slå av apparatet/verktøyet og trekk ut støpselet.
- ◆ Eller slå av apparatet/verktøyet og fjern batteriet fra dette hvis apparatet/verktøyet har separat batteripakke.
- ◆ Eller la batteriet gå helt tomt hvis det er innebygd, og slå deretter av.
- ◆ Fjern laderen fra stikkkontakten før du rengjør den. Laderen krever ikke annet vedlikehold enn regelmessig rengjøring.
- ◆ Rengjør ventilasjonsåpningene i verktøy/apparat og lader jevnlig med en myk børste eller tørr klut.
- ◆ Rengjør motorhuset regelmessig med en fuktig klut. Ikke bruk slipende eller løsemiddelbaserte rengjøringsmidler.
- ◆ Rengjør skjæretråden og spolehuset regelmessig med en myk børste eller en tørr klut.
- ◆ Bruk et butt skraperedskap regelmessig for å fjerne gress og jord fra undersiden av vernet.

Miljø



Separat avfallshåndtering. Produkter og batterier merket med dette symbolet skal ikke kastes i vanlig husholdningsavfall.

Produkter og batterier inneholder materialer som kan gjenbrukes eller gjenvinnes for å redusere behovet for nye råmaterialer. Vennligst lever elektrisk utstyr og batterier til gjenbruk i henhold til lokale regler. Mer informasjon finner du på www.2helpU.com

Tekniske data

		GL7033 Type 1	GL8033 Type 1	GL9035 Type 1
Inngangsspenning	V_{in}	230	230	230
Effekt inn	W	700	800	900
Hastighet uten belastning	min ⁻¹	7000	7000	7000
Vekt	kg	3.2	3.2	3.2

Lydtryknivå:

Lydtrykk (L_{pA}) 81 dB(A), usikkerhet (K) 1.2 dB(A)

Lydeffekt (L_{WA}) 95 dB(A), usikkerhet (K) 1.2 dB(A)

Totalt vibrasjonsverdier (vektorsum fra tre retninger) i henhold til EN 50636-2-91:

Vibrasjonsemissionsverdi (a) 8.2 m/s², usikkerhet (K) 1.5 m/s²

EF-samsvarserklæring

MASKINDIREKTIV DIREKTIV FOR UTENDØRSSTØY



ST4525/ST5528/ST5530 - Trimmeren

Black & Decker erklærer at disse produktene, som er beskrevet under "**Tekniske data**", er i samsvar med:

2006/42/EC, EN60335-1:2012 + A11:2014 + A13:2017 + A1:2019 + A14:2019 + A2:2019, EN50636-2-91:2014.

2000/14/EF, Trådtrimmer, L < 50 cm, vedlegg VI,

DEKRA Testing and Certification GmbH,
Handwerkstraße 15, 70565 Stuttgart

Location Certification Body,

Dinnendahlstr. 9, 44809 Bochum, Tyskland

Godkjenningsinstans nr. (Notified Body number): 0158

L_{WA} (Målt lydeffektnivå) 84 dB(A)

usikkerhet (K) = 1,2 dB(A),

L_{WA} (garantert lydeffekt) 96 dB(A)

Disse produktene samsvarer også med direktiv 2014/30/EF og 2011/65/EF.

For mer informasjon, vennligst kontakt Black & Decker på følgende adresser eller se baksiden av håndboken.

Undertegnede er ansvarlig for sammenstillingen av den tekniske filen og avgir denne erklæringen på vegne av Black & Decker.

Patrick Diepenbach

Patrick Diepenbach

General Manager, Benelux

Black and Decker,

Egide Walschaertsstraat 14-18

2800 Mechelen, Belgia

15.06.2021

Garanti

Black & Decker er trygg på kvaliteten av produktene sine og tilbyr en 24 måneders garanti fra kjøpsdato. Denne garantierk-

læringen kommer i tillegg til dine lovbestemte rettigheter og er ikke i konflikt med disse. Garantien er gyldig innen områdene tilhørende medlemslandene i den Europeiske Union (EU) og det Europeiske Frihandelsområdet (EFTA). For å ta garantien i bruk må kravet være i samsvar med kjøpsbetingelsene fra Black&Decker og du må vise kjøpskvittering til forhandleren eller til et autorisert serviceverksted.

Betingelsene for Black&Deckers 2 års garanti og adressen til din nærmeste autoriserte serviceverksted kan du finne på internett under www.2helpU.com, eller ved å kontakte ditt lokale Black & Decker kontor, adressen er angitt i denne bruksanvisningen.

Besøk våre nettsider på www.blackanddecker.no for å registrere ditt nye Black & Decker-produkt og for å få informasjon om nye produkter og spesialtilbud.

Anvendelsesområde

Din GL7033, GL8033, GL8035 - Trimmer fra BLACK+DECKER er beregnet til klipping af plænekanter og græsslåning på trange steder. Dette apparat er kun beregnet til privat brug.

Sikkerhedsanvisninger

Advarsel! Ved brug af apparater, der strømforsynes fra forsyningsnettet, er det vigtigt, at grundlæggende sikkerhedsforholdsregler, herunder bl.a. nedenstående, altid følges for at mindske risikoen for brand, elektrisk stød, personskade og materiel skade.

Advarsel! Sikkerhedsreglerne skal følges ved brug af maskinen. Læs denne vejledning, før du bruger maskinen, af hensyn til din egen og omkringståendes sikkerhed. Gem vejledningen til senere brug.

- Læs hele vejledningen omhyggeligt, før du bruger apparatet.
- Den tilsigtede brug er beskrevet i denne vejledning. Brugen af ekstraudstyr eller tilbehør eller udførelse af andet arbejde med dette apparat end det, der anbefales i denne vejledning, kan udgøre en risiko for personskade.

- Opbevar denne vejledning til senere brug.

Brug af apparatet

Vær altid opmærksom ved brugen af apparatet.

- Bær altid sikkerhedsbriller eller beskyttelsesbriller.
- Lad ikke børn eller personer, der ikke har læst denne vejledning, benytte apparatet.
- Lad ikke børn eller dyr komme i nærheden af arbejdsområdet eller røre ved apparatet eller strømforsyningsledningen.
- Vær meget opmærksom, når apparatet benyttes i nærheden af børn.
- Dette apparat må ikke bruges af børn eller svagelige personer uden opsyn.
- Apparatet må ikke bruges som legetøj.
- Brug kun apparatet i dagslys eller ved god kunstig belysning.
- Apparatet må kun bruges på tørre steder. Lad ikke apparatet blive vådt.
- Apparatet må ikke nedsænkes i vand.
- Kabinettet må ikke åbnes. Der er ingen dele inde i kabinettet, som kan serviceres af brugeren.
- Brug ikke apparatet i eksplosive omgivelser, f.eks. hvor der er brændbare væsker, gasser eller støv.
- For at reducere risikoen for beskadigelse af stik eller ledninger må du aldrig trække i ledningen for at tage stikket ud af en stikkontakt.

Andres sikkerhed

- Dette apparat kan bruges af børn i en

alder fra 8 år og derover og personer med nedsatte fysiske, sensoriske eller mentale evner eller manglende erfaring og viden, hvis det sker under overvågning, eller de vejledes i brugen af apparatet på en sikker måde, og de forstår de farer, som er forbundet dermed. Børn må ikke lege med apparatet. Rengøring og brugervedligeholdelse må ikke foretages af børn uden opsyn.

- Børn skal holdes under opsyn, så det sikres, at de ikke leger med værktøjet.

Restrisici

Der kan opstå yderligere restrisici under brugen af værktøjet, som ikke kan medtages i vedlagte sikkerhedsadvarsler. Disse risici kan opstå pga. forkert anvendelse, langvarig brug etc.

Selv ved overholdelse af relevante sikkerhedsforskrifter og anvendelse af sikkerhedsudstyr kan visse restrisici ikke undgås. Disse omfatter:

- Tilskadekomst forårsaget af berøring af roterende/bevægelige dele.
- Tilskadekomst forårsaget af udskiftning af dele, blade eller tilbehør.
- Tilskadekomst forårsaget af langvarig brug af et værktøj. Husk at holde pause jævnlige ved brug af et værktøj i længere tid.
- Hørskader.
- Sundhedsrisici forårsaget af indånding af støv, der genereres ved brug af værktøjet (eksempel: arbejde med træ,

især eg, bøg og MDF).

Efter brug

- Opbevar apparatet på et tørt, godt ventileret sted uden for børns rækkevidde, når det ikke er i brug.
- Opbevar apparater utilgængeligt for børn.
- Når apparatet opbevares eller transporteres i et køretøj, skal det anbringes i bagagerummet eller fastgøres for at forhindre bevægelse som følge af pludselige ændringer i hastighed eller retning.

Eftersyn og reparationer

- Før brug skal apparatet kontrolleres for beskadigede eller defekte dele. Se efter knækkede dele og eventuelle andre forhold, der kan påvirke apparatets funktion.
- Brug ikke apparatet med beskadigede eller defekte dele.
- Få beskadigede eller defekte dele repareret eller udskiftet på et autoriseret værksted.
- Forsøg aldrig at fjerne eller udskifte dele ud over dem, der er beskrevet i denne vejledning.

Yderligere sikkerhedsvejledning for græstrimmere

Advarsel! Skærelementer fortsætter med at rotere, efter at motoren er stoppet.

- Sæt dig ind i betjeningsknapperne og korrekt brug af apparatet.
- Kontroller strømforsyningsledningen

og forlængerledningen for tegn på beskadigelse, ældning og slid før brug. Hvis strømforsyningsledningen bliver beskadiget under brug, skal du omgående tage den ud af stikkontakten. RØR IKKE VED LEDNINGEN, FØR DU HAR TAGET DEN UD AF STIKKONTAKTEN.

- ♦ Brug ikke apparatet med beskadigede eller slidte ledninger.
- ♦ Bær solide sko eller støvler for at beskytte dine fødder.
- ♦ Bær lange bukser for at beskytte dine ben.
- ♦ Kontroller, at området er ryddet for grene, sten, ståltråd og andre forhindringer, før du bruger apparatet.
- ♦ Brug kun apparatet i lodret stilling med skæretråden i nærheden af jorden. Tænd ikke for apparatet i nogen anden position.
- ♦ Bevæg dig langsomt, når du bruger apparatet. Husk, at nyslået græs er fugtigt og glat.
- ♦ Undgå at arbejde på stejle skrånninger. Arbejd på tværs af skrånningen, ikke op og ned.
- ♦ Passer ikke grusstier eller veje, mens apparatet kører.
- ♦ Rør aldrig skæretråden, mens apparatet kører.
- ♦ Læg ikke apparatet ned, før skæretråden står helt stille.
- ♦ Brug altid den rigtige type skæretråd. Brug aldrig metaltråd eller fiskesnøre.
- ♦ Pas på ikke at røre trådkniven.
- ♦ Pas på, at ledningen ikke kommer i

nærheden af skæretråden. Vær altid opmærksom på ledningens position.

- ♦ Hold altid hænder og fødder væk fra skæretråden, især når motoren startes.
- ♦ Kontroller apparatet før brug eller efter et evt. slag for tegn på slid eller beskadigelse, og reparer efter behov.
- ♦ Brug aldrig apparatet med beskadigede skærme eller uden skærme.
- ♦ Pas på ikke at komme til skade med enheden, der er monteret til afskæring af trådlængden. Når du har trukket ny skæretråd ud, skal du altid sætte maskinen tilbage i normal arbejdsstilling, før den startes.
- ♦ Hold altid ventilationsåbningerne fri for snavs.
- ♦ Brug ikke plæneklipperen (kanttrimmeren) med beskadigede eller slidte ledninger.
- ♦ Hold forlængerledninger væk fra skæreelementer.

Elektricitet og sikkerhed



Dette værktøj er dobbelt isoleret. Derfor er en jordledning ikke nødvendig. Kontroller altid, at strømforsyningen svarer til spændingen på typeskiltet.

- ♦ Hvis netledningen beskadiges, skal den udskiftes af producenten eller et autoriseret BLACK+DECKER-værksted, så farlige situationer undgås.
- ♦ Den elektriske sikkerhed kan forbedres yderligere ved brug af en højfølsom 30 mA fejlstrømsafbryder (RCD).

Mærkatet på apparatet

Følgende advarselssymboler findes på apparatet sammen med dato-kode:



Læs vejledningen inden brug.



Bær beskyttelses- eller sikkerhedsbriller, når du bruger dette apparat.



Bær egnet hørevern, når du bruger dette apparat.



Tag altid stikket ud af kontakten, før du under-søger et beskadiget kabel. Brug ikke trimmeren, hvis kablet er beskadiget.



Pas på flyvende genstande. Hold omkring-stående på afstand af klippeområdet.



Udsæt ikke apparatet for regn eller høj fugtighed.



Direktiv 2000/14/EF garanteret lydeffekt.

Komponenter

Dette apparat leveres med nogle af eller alle de følgende komponenter.

1. Afbryderkontakt
2. Håndtag
3. Ledningsholder
4. Strømindgang
5. Andet håndtag
6. Justeringsknapp
7. Rør
8. Opbevaring af reservespole
9. HDL-spole
10. Skærm
11. Trådkniv
12. Spolehus
13. Skæretråd
14. Kanthjul

Samling

Advarsel! Kontroller før montering, at værktøjet er slukket, og at stikket er taget ud af stikkontakten.

Montering af skærm (fig. A og B)

- ◆ Fjern skruen (15) fra skærmen (10)..
- ◆ Placer skærmen (10) på værktøjet som vist.
- ◆ Tryk fast på skærmen, til den klikker på plads.
- ◆ Fastgør skærmen med skruen.
- ◆ Tilspænd skruen.

Advarsel! Brug aldrig værktøjet uden korrekt monteret skærm.

Montering af det sekundære håndtag (fig. C)

- ◆ Tryk på justeringsknappen (6) på siden af hovedkabinettet, og hold den nede.
- ◆ Skub det sekundære håndtag (5) på plads over justeringsknappen (6).

Advarsel! Sørg for, at tænderne på knappen sidder rigtigt i åbningerne i håndtaget, og at håndtaget er sikret.

Justering af det sekundære håndtags stilling (fig. D)

Det sekundære håndtag (5) kan justeres, så der opnås optimal balance og komfort.

- ◆ Tryk på justeringsknappen (6) på venstre side af håndtaget.
- ◆ Drej det andet håndtag (5) til den ønskede stilling.
- ◆ Slip justeringsknappen (6).

Advarsel! Sørg for, at tænderne på knappen sidder rigtigt i åbningerne i håndtaget, og at håndtaget er sikret.

Justering af værktøjets højde (fig. E og F)

Dette værktøj har en teleskopmekanisme, så du kan indstille den til en behagelig arbejds højde. Der er flere højdeindstillinger.

Højden indstilles som følger:

- ◆ Frigør låsebøjlen til højdejustering (16).
- ◆ Skub forsigtigt røret (7) op eller ned til den ønskede højde.
- ◆ Luk låsebøjlen til højdejustering (16).

Frigørelse af skæretråd

Under forsendelse er skæretråden tapet fast på spolehuset.

Advarsel! Tag batteriet ud af værktøjet, inden det samles.

- ◆ Fjern tapen, der holder skæretråden fast på spolehuset (12).

Opbevaring af spolen, der ikke bruges (fig. G)

Værktøjet har to klippesystemer.

- ◆ **AFS:** Automatisk fremføring med enkelt tråd til let trimning og kantklipping.
- ◆ **HDL:** Kraftigt klippesystem med dobbelt tråd til mere overgroede områder.

Bemærk! HDL-spolen må kun anvendes i trimningsindstilling. Klippesystemet, der ikke bruges, kan opbevares i reservespoleopbevaringen (kun GL8033 og GL9035).

- ◆ Ret tappene (17) på spoledækslet ind efter udskæringerne (18) i reservespoleopbevaringen (8).
- ◆ Tryk på dækslet på reservespoleopbevaringen, til det låses på plads.

Tilslutning af værktøjet til ledningsnettet (fig. H)

- ◆ Sæt hunstikket på en egnet forlængerledning i strømindgangen (4).

- ◆ Før ledningen gennem ledningsholderen (3).
- ◆ Sæt stikket i stikkontakten.

Før ledningsforbundne enheder: Kontroller, at ledningen er ført gennem ledningsholderen, inden stikket sættes i stikkontakten.

Advarsel! Forlængerkablet skal være egnet til udendørs brug.

Anvendelse

Advarsel! Lad værktøjet arbejde i dets eget tempo. Det må ikke overbelastes.

Indstilling af værktøjet til trimning eller kantklipning (fig. I og J)

Værktøjet kan indstilles til trimning som vist i fig. I eller kantklipning til fjernelse af udhængende græs langs plænekanter og blomsterbede som vist i fig. J.

Indstilling til trimning (fig. I)

Til trimning skal skærehovedet stilles som vist i fig. I. Hvis det ikke står i den stilling:

- ◆ Frigør låsebøjlen til højdejustering (16).
- ◆ Drej røret (7) med uret.
- ◆ Luk låsebøjlen til højdejustering (16), når hovedet er på plads.

Bemærk! Røret roterer kun i én retning.

Bemærk! HDL-spolen kan anvendes i trimningsindstilling.

Indstilling til kantklipning (fig. J)

Til kantklipning skal skærehovedet stilles som vist i fig. J. Hvis det ikke står i den stilling:

- ◆ Frigør låsebøjlen til højdejustering (16).
- ◆ Drej røret (7) mod uret.
- ◆ Luk låsebøjlen til højdejustering (16), når hovedet er på plads.

Bemærk! Røret roterer kun i én retning.

Tænd og sluk

- ◆ Tænd for værktøjet ved at trykke på tænd/sluk-kontakten (1).
- ◆ Stop værktøjet ved at slippe udløserarmen.

Advarsel! Forsøg aldrig at fastlåse udløserarmen i tændt position.

Gode råd til optimal brug

Generelt

- ◆ Det bedste resultat opnås, hvis græsset er tørt.

Trimning

- ◆ Hold værktøjet som vist i fig. K.
- ◆ Sving forsigtigt trimmeren fra side til side.
- ◆ Arbejd trinvis fra toppen ved slåning af langt græs. Klip små områder ad gangen.
- ◆ Hold værktøjet væk fra hårde genstande og sarte planter.
- ◆ Skæretråden slides hurtigere og skal hyppigere føres frem, hvis der trimmes langs fortove eller andre slidende overflader, eller hvor der trimmes kraftigt ukrudt.
- ◆ Reducer belastningen, hvis værktøjet begynder at køre

langsomt.

Kantklipning

Det bedste resultat opnås på kanter, der er dybere end 50 mm.

- ◆ Brug ikke dette værktøj til at lave kanter. Brug en kant-spade til at lave kanter.
- ◆ Før værktøjet frem på dets hjul som vist i fig. L.
- ◆ Vip værktøjet let for at skære tættere.

Montering af en ny spole med skæretråd (fig. M og N)

Nye spoler med skæretråd fås hos BLACK+DECKER-forhandleren (katalognr. A6482). Der kan også fås pakker med tre spoler med skæretråd (katalognr. A6486).

- ◆ Træk stikket ud af stikkontakten.
- ◆ Hold tappene (17) nede, og fjern spoledækslet (21) fra huset (12) (fig. M).
- ◆ Fjern den tomme spole (22) fra spolehuset.
- ◆ Fjern snavs og græs fra spoledækslet og huset.
- ◆ Frigør enden af skæretråden, og før tråden gennem øjet (23) (fig. M). Tråden skal hænge ca. 11 cm ud fra spoledækslet.

Bemærk: Vær omhyggelig med at sikre, at tråden på spolen ikke trævler op. Hold den konstant fast med en hånd.

- ◆ Tag den nye spole, og skub den op på navet i huset. Drej spolen let, indtil den er på plads.
- ◆ Ret tappene (17) på spoledækslet ind efter udskæringerne (24) i huset (12).
- ◆ Tryk dækslet på huset, til det låses på plads.

Advarsel! Hvis skæretrådene hænger længere ud end tråd-kniven (11), klippes den af, så den lige netop når kniven.

Montering af et nyt stykke kraftig skæretråd (fig. O og P)

Nye pakker med 10 kraftige skæretråde fås hos BLACK+DECKER-forhandleren (katalognr. A6489).

Udfør følgende for at montere et nyt stykke skæretråd:

- ◆ Træk stikket ud af stikkontakten.
- ◆ Hold tappene (17) nede, og fjern HDL-dækslet (9) fra huset (12).
- ◆ Fjern snavs og græs fra HDL-dækslet (9) og huset.
- ◆ Fjern det brugte stykke tråd fra HDL-hætten (9).
- ◆ Før et nyt stykke tråd (20) gennem øjerne (27) på hver side af HDL-hætten.
- ◆ Anbring den midterste klemning (28) i den angivne position (fig. P).
- ◆ Monter HDL-hætten igen.

Advarsel! Brug altid den rigtige type skæretråd fra BLACK+DECKER.

Fejlfinding

Følg vejledningen nedenfor, hvis værktøjet ikke synes at fungere korrekt. Hvis dette ikke løser problemet, bedes du kontakte et det lokale BLACK+DECKER-værksted.

Advarsel! Træk stikket ud af stikkontakten, før du fortsætter.

Apparatet kører langsomt

- ◆ Kontroller, at spolehuset kan rotere frit. Rengør det forsigtigt om nødvendigt.
- ◆ Kontroller, at skæretråden ikke hænger mere end 11 cm ud af spolehuset. Hvis den gør, skal den klippes af så den lige netop når trådkniven.

Hvis metoden med at slå enheden mod jorden ikke virker

- ◆ Hold tappene nede, og fjern spoleafdækningen fra huset.
- ◆ Træk i skæretråden, til den hænger 11 cm ud af huset. Sæt en ny spole med skæretråd i, hvis der ikke er tilstrækkelig skæretråd tilbage på spolen.
- ◆ Ret tappene på spoleafdækningen ind efter udskæringerne i huset.
- ◆ Tryk dækslet på huset, til det låses på plads.
- ◆ Hvis skæretråden hænger længere ud end trådkniven, klippes den af, så den lige netop når kniven.

Prøv nedenstående forslag, hvis metoden med at slå enheden mod jorden stadig ikke virker, eller tråden er filtret:

- ◆ Rengør forsigtigt spoleafdækningen og huset.
- ◆ Tag spolen ud, og kontroller, at fjederen sidder korrekt.
- ◆ Tag spolen ud, vind skæretråden af, og vind den derefter ensartet på igen som beskrevet herover. Udskrift spolen som beskrevet i vejledningen.

Vedligeholdelse

Dit BLACK+DECKER-apparat/værktøj med eller uden ledning er beregnet til brug gennem lang tid med et minimum af vedligeholdelse. Forsat tilfredsstillende drift afhænger af korrekt behandling af værktøjet/apparatet samt regelmæssig rengøring.

Laderen kræver ingen vedligeholdelse, men skal rengøres jævnligt.

Advarsel! Før udførelse af nogen form for vedligeholdelse på elværktøj med/uden ledning:

- ◆ Sluk, og tag apparatets/værktøjets stik ud af stikkontakten.
- ◆ Eller sluk og fjern batteriet fra apparatet/værktøjet, hvis det har en separat batteripakke.
- ◆ Eller aflad batteriet helt, hvis det er indbygget, og sluk derefter.
- ◆ Træk laderen ud af stikkontakten, før den rengøres. Laderen kræver ingen vedligeholdelse, men skal rengøres jævnligt.
- ◆ Rengør jævnligt værktøjets/apparatets og laderens ventilationshuller med en blød børste eller en tør klud.
- ◆ Rengør med jævne mellemrum motorhuset med en fugtig klud. Der må ikke bruges skuremidler eller opløsningsmidler.
- ◆ Rengør regelmæssigt skæretråden og spolen med en blød børste eller en tør klud.
- ◆ Brug jævnligt en uskarp skraber til at fjerne græs og snavs fra apparatet.

Miljø



Særskilt bortskaffelse. Produkter og batterier mærket med dette symbol må ikke bortskaffes sammen med normalt husholdningsaffald.

Produkter og batterier indeholder materialer, der kan blive genannet eller genanvendt og således reducere efterspørgslen efter råvarer. Genbrug venligst elektriske produkter og batterier i henhold til lokale regulativer. Yderligere informationer findes på www.2helpU.com

Tekniske data

		GL7033 Type 1	GL8033 Type 1	GL9035 Type 1
Indgangsspænding	V_{ac}	230	230	230
Motoreffekt	W	700	800	900
Hastighed uden belastning	min ⁻¹	7000	7000	7000
Vægt	kg	3.2	3.2	3.2

Lydtrykniveau:

Lydtryk (L_A) 81 dB(A), usikkerhed (K) 1.2 dB(A)

Lydeffekt (L_{WA}) 95 dB(A), usikkerhed (K) 1.2 dB(A)

Samlede værdier for vibration (triaksial vektorsum) i henhold til EN 50636-2-91:

Værdi for udsendelse af vibration (a) 8.2 m/s², usikkerhed (K) 1.5 m/s²

EU-overensstemmelseserklæring

MASKINDIREKTIV DIREKTIV VEDRØRENDE UDENDØRS STØJ



ST4525/ST5528/ST5530 - Trimmer

Black & Decker erklærer, at produkterne beskrevet under "**Tekniske data**" er i overensstemmelse med:

2006/42/EC, EN60335-1:2012 + A11:2014 + A13:2017 + A1:2019 + A14:2019 + A2:2019, EN50636-2-91:2014.

2000/14/EC, Lawn Trimmer, L < 50cm, Annex VI,

DEKRA Testing and Certification GmbH,

Handwerkstraße 15, 70565 Stuttgart

Location Certification Body,

Dinnendahlstr. 9, 44809 Bochum Germany

Notified Body number: 0158

L_{WA} (measured sound power level) 84 dB(A),

Uncertainty (K) = 1,2 dB(A),

L_{WA} (guaranteed sound power) 96 dB(A).

These products also comply with directive

2014/30/EU, 2011/65/EU.

Kontakt Black & Decker på følgende adresse for yderligere oplysninger eller se bagsiden af vejledningen.

Undertegnede er ansvarlig for kompilering af den tekniske fil og udsteder denne erklæring på vegne af Black & Decker.

Patrick Diepenbach

Patrick Diepenbach
General Manager, Benelux
Black and Decker,
Egide Walschaertsstraat 14-18
2800 Mechelen, Belgien
15.06.2021

Garanti

Black & Decker er sikker på kvaliteten af sine produkter og giver forbrugerne en garanti på 24 måneder fra købsdatoen. Garantien er et tillæg til forbrugers lovsikrede rettigheder og påvirker ikke disse. Garantien er gyldig inden for medlemsstaterne af Den Europæiske Union og Det Europæiske Frihandelsområde. Når du gør krav på garantien, skal kravet være i overensstemmelse med Black&Decker vilkår og betingelser, og du skal indsende dokumentation for købet til sælgeren eller til en autoriseret reparatør.

Vilkår og betingelser for Black & Decker 2 års garanti og placeringen af dit nærmeste autoriserede serviceværksted kan fås på internettet på www.2helpU.com, eller ved at kontakte dit lokale Black & Decker kontor på den adresse, der er angivet i denne vejledning.

Besøg venligst vores websted www.blackanddecker.co.uk for at registrere dit nye Black & Decker produkt og modtage opdateringer om nye produkter og specielle tilbud.

Käyttötarkoitus

BLACK+DECKER -GL7033, GL8033, GL8035 - Trimmeri on suunniteltu nurmikon reunojen viimeistelyyn ja nurmikon leikkaukseen ahtaissa paikoissa. Laitte on tarkoitettu vain yksityiskäyttöön.

Turvallisuusohjeet

Varoitus! Sähkölaitteita käytettäessä on aina noudatettava asianmukaisia tur-

vaohjeita, jotta tulipalojen, sähköiskujen, henkilövahinkojen ja materiaali-vaurioiden riski olisi mahdollisimman pieni.

Varoitus! Laitetta käytettäessä on noudatettava turvallisuussääntöjä. Lue tämä opas huolellisesti läpi ennen koneen käyttöä oman ja muiden turvallisuuden takia. Säilytä ohjeet myöhempää tarvetta varten.

- Lue nämä ohjeet huolellisesti ennen laitteen käyttöä.
- Käyttötarkoitus kuvataan tässä käyttöohjeessa. Muiden kuin tässä käyttöohjeessa suositeltujen lisävarusteiden tai -osien käyttö sekä laitteen käyttö muuhun kuin käyttöohjeessa suositeltuun tarkoitukseen voi aiheuttaa henkilövahingon vaaran.
- Säilytä tämä käyttöohje tulevaa tarvetta varten.

Laitteen käyttö

Ole aina huolellinen käyttäessäsi laitetta.

- Käytä aina suojalaseja.
- Älä koskaan anna lasten tai kenenkään, joka ei ole lukenut käyttöohjetta, käyttää laitetta.
- Älä anna lasten tai eläinten tulla lähelle työskentelyaluetta tai koskea laitteeseen tai sähköjohtoon.
- Jos laitetta käytetään lasten läheisyydessä, on oltava tarkkaavainen.
- Tätä laitetta ei ole tarkoitettu nuorten tai lihasvoimaltaan heikkojen henkilöiden käyttöön ilman valvontaa.
- Laitetta ei tule käyttää leluna.
- Käytä laitetta vain päivänvalossa tai

hyvin valaistulla alueella.

- Soveltuu vain kuivaan käytöympäristöön. Älä anna laitteen kastua.
- Älä upota laitetta veteen.
- Älä avaa laitteen koteloa. Sen sisällä ei ole käyttäjän huollettavissa olevia osia.
- Älä käytä laitetta räjähdysalttiissa ympäristössä, jossa on syttyvää nestettä, kaasua tai pölyä.
- Älä koskaan irrota johtoa pistorasiasta johdosta vetäen. Pistoke ja johto voivat vahingoittua.

Muiden turvallisuus

- Tämä laite soveltuu yli 8-vuotiaiden lasten ja sellaisten henkilöiden käyttöön, joilla on fyysisiä tai älyllisiä rajoitteita tai aistirajoitteita, kuten myös laitteen toimintaan perehtymättömien henkilöiden käyttöön, jos heitä valvotaan tai jos he ovat saaneet laitteen turvalliseen käyttöön liittyvää opastusta ja ymmärtävät laitteen käyttöön liittyvät vaarat. Älä anna lasten leikkiä laitteella. Puhdistus- ja huoltotoita ei saa jättää lapsille ilman valvontaa.
- Lapsia on valvottava ja heitä on es-tettävä leikkimästä laitteella.

Muut riskit

Myös muut kuin turvavaroituksissa mainitut riskit ovat mahdollisia työkalua käytettäessä. Nämä riskit voivat liittyä muun muassa virheelliseen tai pitkäaikaiseen käyttöön. Tiettyjä jäännösriskejä ei voi välttää,

vaikka noudatat kaikkia turvamääräyksiä ja käytät turvalaitteita. Näihin kuuluvat muun muassa

- pyörienvien tai liikkuvien osien kosket-tamisen aiheuttamat vahingot
- osia, teriä tai lisävarusteita vaihdet-taessa aiheutuneet vahingot
- työkalun pitkäaikaisen käytön aiheutta-mat vahingot Kun käytät työkalua pitkään, varmista, että pidät säännöl-lisesti taukoja.
- kuulovauriot.
- työkalua käytettäessä (esimerkiksi puuta, erityisesti tammea, pyökkiä ja MDF-levyjä käsiteltäessä) syntyneen pölyn sisäänhengityksen aiheuttamat terveysriskit.

Käytön jälkeen

- Kun laitetta ei käytetä, säilytä sitä kuivassa, hyvin tuuletetussa paikassa poissa lasten ulottuvilta.
- Pidä laite lasten ulottumattomissa.
- Kun laitetta säilytetään tai kuljetetaan ajoneuvossa, sijoita se tavaratilaan tai kiinnitä se pitävästi niin, ettei se matkan aikana pääse liikkumaan.

Tarkastus ja korjaus

- Tarkista ennen laitteen käyttöä, ettei laitteessa ole vahingoittuneita tai vial-lisia osia. Tarkista osien ja kytkimien kunto sekä muut seikat, jotka voivat vaikuttaa laitteen toimintaan.
- Älä käytä laitetta, jos jokin sen osa on vahingoittunut tai viallinen.
- Korjauta tai vaihdata vaurioituneet tai

vialliset osat valtuutetussa huoltoliik-
keessä.

- ♦ Älä yritä korjata tai vaihtaa muita kuin tässä käyttöohjeessa erikseen määritettyjä osia.

Ruohotrimmereiden lisäturv- aohjeet

Varoitus! Leikkaavien osien pyörimisen jatkuu senkin jälkeen, kun moottori on sammutettu.

- ♦ Tutustu hallintalaitteisiin ja opettele laitteen oikea käyttö.
- ♦ Tarkista ennen käyttöä, että sähkö- ja jatkojohdot eivät ole vaurioituneet, vanhentuneet tai kuluneet. Jos johto vahingoittuu käytön aikana, irrota johto heti virtalähteestä. **ÄLÄ KOSKETA JOHTOA, ENNEN KUIN OLET IRROTTANUT SEN VIRTALÄHTEESTÄ.**
- ♦ Älä käytä laitetta, jos sen johdot ovat vahingoittuneet tai kuluneet.
- ♦ Suojaa jalat laitteen käytön aikana käyttämällä tukevia jalkineita.
- ♦ Suojaa sääret käyttämällä pitkiä housuja.
- ♦ Tarkista ennen laitteen käyttöä, ettei työskentelyalueella ole oksia, kiviä, metallilankaa tai muita esteitä.
- ♦ Käytä laitetta vain pystyasennossa, leikkuulanka kuvan mukaisesti lähellä maata. Älä koskaan käynnistä laitetta missään muussa asennossa.
- ♦ Liiku hitaasti, kun käytät laitetta. Muista, että juuri leikattu ruoho on kosteaa ja liukasta.
- ♦ Älä työskentele jyrkissä rinteissä. Työskentele rinteiden korkeussuuntaan

nähten poikittain, älä ylhäältä alas tai päinvastoin.

- ♦ Älä koskaan kuljeta laitetta sora- tai hiekkateiden yli langan pyöriessä.
- ♦ Älä koskaan kosketa leikkuulankaa laitteen ollessa käynnissä.
- ♦ Älä laita laitetta maahan, ennen kuin leikkuulanka on täysin pysähtynyt.
- ♦ Käytä ainoastaan oikean tyyppistä leikkuulankaa. Älä koskaan käytä metallista leikkuulankaa tai ongensiiamaa.
- ♦ Älä koske langan leikkuuterään.
- ♦ Pidä verkkovirtajohto aina mahdollisimman kaukana leikkuulangasta. Ota huomioon virtajohdon asento aina laitetta käytettäessä.
- ♦ Pidä kädet ja jalat poissa leikkuulangan tieltä etenkin, kun moottori käynnistetään.
- ♦ Tarkista laite kulumisen tai vaurioiden varalta ennen työn aloittamista ja iskujen jälkeen. Korjaa puutteet ennen työn jatkamista.
- ♦ Älä koskaan käytä laitetta, jos jokin suoja on vaurioitunut tai ei ole paikallaan.
- ♦ Varo vahingoittamasta itseäsi leikkuulangan lyhentämiseen varustetulla laitteella. Kun olet pidentänyt uutta leikkuulankaa, aseta laite aina takaisin normaaliin käyttöasentoon ennen käynnistämistä.
- ♦ Varmista aina, että ilmanvaihtoaukot ovat puhtaita.
- ♦ Älä käytä nurmikkotrimmeriä (reunatrimmeriä), jos sen johdot ovat

vahingoittuneet tai kuluneet.

- Pidä jatkojohdot poissa leikkaavien osien tieltä.

Sähköturvallisuus



Tämä laite on kaksoiseristetty, joten erillistä maadoitusta ei tarvita. Tarkista aina, että virtalähde vastaa arvokilvessä ilmoitettua jännitettä.

- Jos virtajohto vahingoittuu, sen vaihtaminen on turvallisuussyistä jätettävä valmistajan tai valtuutetun BLACK+DECKER -huollon tehtäväksi.
- Sähköturvallisuutta voi parantaa käyttämällä erittäin herkkää (30 mA) vikavirtasuojaa.

Laitteessa olevat merkinnät

Laitteessa on seuraavat varoitusmerkinnät sekä päivämäärä koodi:



Lue käyttöohje ennen laitteen käyttöönottoa.



Käytä suojalaseja, kun käytät laitetta.



Käytä asianmukaisia kuulosuojaimia, kun käytät laitetta.



Irrota verkkojohto pistorasiasta aina ennen vaurioituneen johdon tarkistamista. Älä käytä trimmeriä, jos virtajohto on vahingoittunut.



Varo sinkoilevia esineitä. Pidä sivulliset poissa leikkausalueelta.



Älä käytä laitetta sateessa tai erittäin kosteissa olosuhteissa.



Direktiivin 2000/14/EY mukainen taattu ääniteho.

Yleiskuvaus

Tässä laitteessa on kaikki tai joitakin seuraavista ominaisuuksista.

1. Virtakytkin
2. Kahva
3. Kaapelin pitosilmukka
4. Virransyöttöliitäntä
5. Lisäkahva
6. Säätöpainike
7. Putki
8. Varakelan säilytyslokero
9. HDL-kela
10. Suojus
11. Langan leikkuuterä
12. Kelakotelo
13. Leikkuusiima
14. Reunakieppo

Kokoaminen

Varoitus! Varmista ennen kokoamista, että virta on katkaistu työkalusta ja että virtajohto on irti pistorasiasta.

Suojuksen kiinnittäminen (kuvat A ja B)

- Irrota ruuvi (15) suojuksesta (10).
- Aseta suojus (10) kuvan osoittamalla tavalla työkalun päälle.
- Paina suojusta voimakkaasti, kunnes se napsahtaa paikalleen.
- Kiinnitä suojus ruuvilla.
- Kiristä ruuvi.

Varoitus! Älä käytä työkalua, jos suojus ei ole kunnolla paikallaan.

Lisäkahvan kiinnittäminen (kuva C)

- Paina rungon sivulla olevaa säätöpainiketta (6) ja pidä sitä painettuna.
- Työnnä lisäkahva (5) paikalleen säätöpainikkeen (6) yläpuolelle.

Varoitus! Varmista, että painikkeen hampaat ovat kahvan koloissa ja että kahva on kiinni.

Lisäkahvan asennon säätäminen (kuva D)

Säädä lisäkahvan (5) asento niin, että trimmeri pysyy tasapainossa ja sen käyttömukavuus on mahdollisimman hyvä.

- Paina kahvan vasemmalla puolella olevaa säätöpainiketta (6).
- Kierrä lisäkahva (5) haluttuun asentoon.
- Vapauta säätöpainike (6).

Varoitus! Varmista, että painikkeen hampaat ovat kahvan koloissa ja että kahva on kiinni.

Työkalun korkeuden säätö (kuvat E ja F)

Työkalussa on teleskooppivarsi, jolla sen korkeus voidaan säätää halutuksi. Korkeusasetuksia on useita.

Säädä korkeusasetus seuraavasti:

- Avaa korkeudensäädön lukitusvipu (16).
- Säädä trimmerin korkeus sopivaksi liu'uttamalla putkea (7)

ylös tai alas.

- ◆ Sulje korkeudensäädön lukitusvipu (16).

Leikkuusiiman vapauttaminen

Leikkuusiima on teipattu kiinni kelakotelon kuljetuksen ajaksi.

Varoitus! Poista akku laitteesta aina ennen kokoamista.

- ◆ Irrota leikkuusiiman kelakoteloon (12) kiinnittävä teippi

Käyttämättömän kelan varastointi (kuva G)

Työkalussa on kaksi leikkuujärjestelmää:

- ◆ **AFS:** yhden siiman automaattinen syöttö kevyttä leikkausta ja reunojen käsittelyä varten.
- ◆ **HDL:** Heavy Duty Dual Line -leikkuujärjestelmä ylikasvaneita alueita varten.

Huomautus: HDL-kelaa voi käyttää vain leikkaustilassa. Käyttämätöntä leikkuujärjestelmää voi säilyttää varakelan säilytyslokerossa (vain GL8033 ja GL9035).

Käyttämätöntä leikkuujärjestelmää voi säilyttää varakelan säilytyslokerossa (vain GL8033 ja GL9035).

- ◆ Kohdista kelan suojuksen kielekkeet (17) varakelan säilytyslokeroon reikiin (18).
- ◆ Paina suojuksen varakelan säilytyslokeroon, kunnes se napsahtaa kiinni paikalleen.

Työkalun kytkeminen verkkovirtaan (kuva H)

- ◆ Kiinnitä sopivan jatkojohdon naarasliitin virransyöttöliitäntään (4).
- ◆ Pujota kaapeli kaapelin pitosilmukan (3) läpi.
- ◆ Kytke verkkopistoke virtalähteeseen.

Langoitetuille johtoyksiköille: Varmista, että johto on kierretty johdon pidikkeen kautta, ennen kuin kiinnität johdon verkkovirtaan.

Varoitus! Jatkojohdon on oltava ulkokäyttöön sopiva.

Käyttö

Varoitus! Anna työkalun käydä omaan tahtiinsa. Älä ylikuormita sitä.

Työkalun asettaminen leikkaus- tai reunojenkäsittelytilaan (kuvat I ja J)

Työkalua voidaan käyttää kuvan I mukaisessa tilassa leikkaamiseen tai kuvan J mukaisesti nurmikon reunojen ja kukkapenkkinen reunusten siistimiseen

Leikkaaminen (kuva I)

Leikkaamista varten trimmerin pää asetetaan kuvan I osoittamaan asentoon. Jos se ei ole kuvan osoittamassa asennossa:

- ◆ Avaa korkeudensäädön lukitusvipu (16).
- ◆ Kierrä putkea (7) myötäpäivään.
- ◆ Kun pää on paikallaan, sulje korkeudensäädön lukitusvipu (16).

Huomautus: Putki pyörii vain yhteen suuntaan.

Huomautus: HDL-kelaa voi käyttää vain leikkaustilassa.

Reunojen käsittely (kuva J)

Reunojen käsittelyä varten trimmerin pää asetetaan kuvan J osoittamaan asentoon. Jos se ei ole kuvan osoittamassa asennossa:

- ◆ Avaa korkeudensäädön lukitusvipu (16).

- ◆ Kierrä putkea (7) vastapäivään.

- ◆ Kun pää on paikallaan, sulje korkeudensäädön lukitusvipu (16).

Huomautus: Putki pyörii vain yhteen suuntaan.

Käynnistäminen ja pysäyttäminen

- ◆ Käynnistä laite painamalla virtakytintä (1).
- ◆ Sammuta laite vapauttamalla virrankatkaisija.

Varoitus! Älä koskaan yritä lukita virrankatkaisijaa käyttöasentoon.

Vinkkejä parhaimman tuloksen saamiseksi

Yleistä

- ◆ Paras leikkuutuloks saavutetaan leikkaamalla vain kuivaa nurmikkoa.

Trimmaus

- ◆ Pitele työkalua kuvan K osoittamalla tavalla.
- ◆ Käännä trimmeriä kevyesti puolelta toiselle.
- ◆ Leikkaa pitkää ruohoa asteittain ylhäältä lähtien. Leikkaa vain vähän kerrallaan.
- ◆ Vältä kovia esineitä tai hentoja kasveja.
- ◆ Leikkauslanka kuluu nopeammin ja vaatii useammin tapahtuvaa syöttöä, kun leikkaat jalkakäytävien tai muiden hiovien pintojen lähellä tai tavallista kovempia rikkaruohoja.
- ◆ Jos työkalu alkaa käydä hitaasti, vähennä kuormitusta.

Reunojen käsittely

Paras leikkuutuloks saavutetaan, kun reunuksen syvyys on yli 50 mm.

- ◆ Älä käytä työkalua reunojen tekemiseen. Tee reunat käyttämällä reunauslapiota.
- ◆ Ohjaa työkalua sen pyörän varassa kuvan L mukaisesti.
- ◆ Lyhennä leikkausjälkeä klistamamalla työkalua hieman.

Uuden siimakelan kiinnittäminen (kuvat M ja N)

Uusia siimakeloa myyvät BLACK+DECKER -tuotteiden jälleenmyyjät (tuoteno A6482). Myös kolmen leikkuusiimarullan pakkauksia on saatavana (tuoteno A6486).

- ◆ Irrota työkalu pistorasiasta.
- ◆ Pidä kelan suojuksen kielekkeitä (17) painettuina ja poista kelan suojuksen (21) kotelosta (12) (kuva M).
- ◆ Poista tyhjä kela (22) kelan suojuksesta.
- ◆ Poista kaikki lika ja ruoho kelan suojuksesta ja kotelosta.
- ◆ Irrota leikkuusiiman pää ja pujota siima reikään (23) (kuva M). Siiman on tultava ulos noin 11 cm kelan suojuksesta.

Huomautus: Varo, ettei kelassa oleva siima pääse purkautumaan. Pitele kelaa koko ajan yhdellä kädellä tukevasti.

- ◆ Työnnä uusi kela suojuksen napaan. Kierrä kela hieman niin, että se kiinnittyy.
- ◆ Kohdista kelan suojuksen kielekkeet (17) kotelon (12) reikiin (24).
- ◆ Paina suojuksen koteloon, kunnes se napsahtaa kiinni paikalleen.

Varoitus! Jos leikkuusiimat ylettyvät leikkuuterän (11) yli, leikkaa ne lyhyemmiksi niin, että ne ovat terän kohdalla.

Uuden vaativaan käyttöön tarkoitetun leikkuusiiman kiinnittäminen (kuvat O ja P)

TKymmenen vaativaan käyttöön tarkoitetun leikkuusiiman vaihtopakkauksia myyvät BLACK+DECKER -tuotteiden jälleenmyyjät (tuotenro A6489).

Kiinnitä uusi vaativaan käyttöön tarkoitettu leikkuusiima seuraavasti:

- ◆ Irrota työkalu pistorasiasta.
- ◆ Pidä kelan suojuksen kielekkeitä (17) painettuna ja poista HDL-kelan suojus (9) kotelosta (12)..
- ◆ Poista kaikki lika ja ruoho HDL-kelan suojuksesta (9) ja kotelosta.
- ◆ Irrota käytetty siima HDL-kelan suojuksesta (9).
- ◆ Pujota uusi siima (20) HDL-kelan suojuksessa olevien reikiin (27) läpi.
- ◆ Aseta keskellä oleva tukiholkki (28) kuvassa olevaan asentoon (kuva P).
- ◆ Aseta HDL-kelan suojus paikalleen.

Varoitus! Käytä vain oikeaa BLACK+DECKERin suosittelmaa leikkuusiimaa.

Vianmääritys

Jos laite ei näytä toimivan oikein, noudata seuraavia ohjeita. Jos tämä ei auta, ota yhteys paikalliseen BLACK+DECKER -huoltoiliikkeeseen.

Varoitus! Irrota työkalu pistorasiasta ennen jatkamista.

Laite käy hitaasti

- ◆ Tarkista, että kelan kotelo pääsee pyörimään esteettä. Puhdista se varovasti tarvittaessa.
- ◆ Tarkista, että leikkuulankaa ei tule ulos kelan kotelosta yli 11 cm. Jos se tulee, katkaise siima niin, että se juuri ylettyy leikkuuterään.

Automaattinen siimansyöttö ei toimi

- ◆ Pidä kelan suojuksen kielekkeitä painettuna ja poista kelan suojus kotelosta.
- ◆ Vedä siimaa niin, että se tulee ulos kotelosta 11 cm. Jos kelalla ei ole tarpeeksi siimaa, asenna uusi siimakela aikaisempien ohjeiden mukaan.
- ◆ Kohdista kelan suojuksen kielekkeet kotelon reikiin.
- ◆ Paina suojus koteloon, kunnes se napsahtaa kiinni paikalleen.
- ◆ Jos leikkuusiima ylettyy leikkuuterän yli, leikkaa se lyhyemmäksi niin, että se juuri ylettyy terään.

Jos automaattinen siimansyöttö ei vielääkään toimi tai kela on jumissa, kokeile seuraavia toimenpiteitä:

- ◆ Puhdista kelan suojus ja kotelo huolellisesti.
- ◆ Irrota kela ja varmista, että vipu pääsee liikkumaan esteettä.
- ◆ Poista kela, pura siima kelalta ja kierrä se sitten tasaisesti takaisin aikaisempien ohjeiden mukaisesti. Laita kela takaisin aikaisempien ohjeiden mukaisesti.

Huolto

Verkkohodolla varustettu tai verkkohodoton BLACK+DECKERin laite/työkalu on suunniteltu toimimaan

mahdollisimman kauan mahdollisimman vähällä huollolla. Oikealla huollolla ja säännöllisellä puhdistuksella työkalu/laitte säilyttää suorituskykynsä.

Laturi ei tarvitse säännöllisen puhdistamisen lisäksi mitään muuta huoltoa.

Varoitus! Toimi ennen verkkojohdolla varustetun tai verkkojohdotoman sähkötyökalun huoltoa seuraavasti:

- ◆ Sammuta laite/työkalu ja irrota se verkkovirrasta.
- ◆ Jos laitteessa/työkalussa on erillinen akku, sammuta laite/työkalu ja irrota sen akku.
- ◆ Jos akku on kiinteä, käytä akku täysin loppuun ja sammuta laite/työkalu sitten.
- ◆ Irrota laturi pistorasiasta ennen laturin puhdistamista. Laturi ei tarvitse säännöllisen puhdistamisen lisäksi mitään muuta huoltoa.
- ◆ Puhdista työkalun, laitteen ja laturin ilma-aukot säännöllisesti pehmeällä harjalla tai kuivalla kangasliinalla.
- ◆ Puhdista moottorikotelo säännöllisesti kostealla liinalla. Älä käytä hankaavia tai liuotinpohjaisia puhdistusaineita.
- ◆ Puhdista leikkuusiima ja kela säännöllisesti pehmeällä harjalla tai kuivalla rievulla.
- ◆ Poista ruoho ja lika suojuksen alta säännöllisesti typpällä kaapimella.

Ympäristönsuojelu



Toimita tämä laite erilliskeräykseen. Tällä symbolilla merkityjä tuotteita ja akkuja ei saa hävittää tavallisen kotitalousjätteen mukana.

Tuotteissa ja akuissa on materiaaleja, jotka voidaan ottaa talteen tai kierrättää uudelleen käyttöä varten. Kierrätä sähkölaitteet ja akut paikallisten määräyksien mukaan. Lisätietoa on saatavilla osoitteessa www.2helpU.com

Tekniset tiedot

		GL7033 Tyyppe 1	GL8033 Tyyppe 1	GL9035 Tyyppe 1
Tulojännite	V _{ac}	230	230	230
Ottoteho	W	700	800	900
Kuormittamaton nopeus	min ⁻¹	7000	7000	7000
Paino	kg	3.2	3.2	3.2

Äänenpainetaso:

Äänenpaine (L_{wa}) 81 dB(A), epätarkkuus (K) 1.2 dB(A)

Äänitehotaso (L_{wa}) 95 dB(A), epätarkkuus (K) 1.2 dB(A)

Tärinän kokonaisarvot (vektorisumma) standardin EN 50636-2-91 mukaisesti:

Tärinäpäästöarvo (a) 8.2 m/s², epätarkkuus (K) 1.5 m/s²

EY-vaatimustenmukaisuusvakuutus

KONEDIREKTIIVI
ULKOILMAMELUDIREKTIIVI

ja rekisteröi uusi Black & Decker -tuotteesi saadaksesi tietoa uusista tuotteista ja erikoistarjouksista.



ST4525/ST5528/ST5530 - Trimmeri

Black & Decker ilmoittaa, että tuotteet, jotka on kuvattu kohdassa **Tekniset tiedot**, täyttävät seuraavien direktiivien vaatimukset:

2006/42/EY, EN60335-1:2012 + A11:2014 + A13:2017 + A1:2019 + A14:2019 + A2:2019, EN50636-2-91:2014.

2000/14/EY, Trimmeri, L < 50 cm, Liite VI,
DEKRA Testing and Certification GmbH,
Handwerkstraße 15, 70565 Stuttgart
Location Certification Body,
Dinnendahlstr. 9, 44809 Bochum, Tyskland
Anmält organ nummer: 0158

L_{WA} (uppmätt ljudeffektnivå) 84 dB(A)
epävarmuus (K) = 1,2 dB(A),
 L_{WA} (taattu ääniteho) 96 dB(A)

Dessa produkter uppfyller dessutom direktiven 2014/30/EU och 2011/65/EU.

För mer information, var god kontakta Black & Decker på följande adress, eller se handbokens baksida.

Undertecknad är ansvarig för sammanställning av den tekniska filen och gör denna förklaring på Black & Deckers vägnar.

Patrick Diepenbach

Patrick Diepenbach
Pääjohtaja, Benelux
Black and Decker,
Egide Walschaertsstraat 14-18
2800 Mechelen, Belgia
15.06.2021

Takuu

Black & Decker on vakuuttunut tuotteidensa korkeasta laadusta ja tarjoaa kuluttajille 24 kuukauden takuun, joka astuu voimaan ostopäivänä. Takuu on lisäys kuluttajan lailisiin oikeuksiin eikä vaikuta niihin. Tämä takuu on voimassa kaikissa EU- ja ETA-maissa. Edellytyksenä takuun saamiselle on, että vaade täyttää Black & Deckerin ehdot ja että ostaja toimittaa ostotositteen jälleennyjyjälle tai valtuutetulle huoltoilikeelle.

Black & Deckerin kahden vuoden takuun ehdot ja lähimmän valtuutetun korjauspalvelun yhteystiedot ovat saatavilla osoitteessa www.2helpU.com tai ottamalla yhteyttä paikalliseen Black & Deckerin toimipisteeseen tässä ohjekirjassa ilmoitetuihin osoitteisiin.

Käy verkkosivuiltamme osoitteessa www.blackanddecker.fi

Ενδεξιμένη χρήση

To GL7033, GL8033, GL8035 - χορτοκοπτικό BLACK+DECKER είναι σχεδιασμένο για κοπή και φινιρίσμα στις άκρες του γκαζόν και για κοπή χόρτων σε περιορισμένους χώρους. Αυτό το εργαλείο προορίζεται μόνο για ερασιτεχνική χρήση.

Οδηγίες ασφαλείας Προειδοποίηση! Κατά

τη χρήση συσκευών που τροφοδοτούνται με ηλεκτρικό ρεύμα, θα πρέπει να λαμβάνονται πάντα οι βασικές προφυλάξεις ασφαλείας, συμπεριλαμβανομένων των παρακάτω, για τον περιορισμό του κινδύνου πυρκαγιάς, ηλεκτροπληξίας, τραυματισμού προσώπων και υλικών ζημιών.

Προειδοποίηση! Κατά τη χρήση του μηχανήματος, πρέπει να τηρούνται οι κανόνες ασφαλείας. Για τη δική σας ασφάλεια και των παρευρισκομένων, διαβάστε αυτές τις οδηγίες πριν να χρησιμοποιήσετε το εργαλείο. Παρακαλούμε φυλάξτε τις οδηγίες σε ασφαλές μέρος για μεταγενέστερη χρήση.

- Διαβάστε προσεκτικά όλο το περιεχόμενο αυτού του εγχειριδίου πριν χρησιμοποιήσετε τη συσκευή σας.
- Η ενδεδειγμένη χρήση περιγράφεται σε αυτό το εγχειρίδιο. Τόσο η χρήση εξαρτημάτων ή προσαρτημάτων όσο και η πραγματοποίηση εργασιών με τη συσκευή που δε συνιστώνται σε αυτό το εγχειρίδιο οδηγούν ενγκυμονεί κίνδυνο τραυματισμού.
- Φυλάξτε αυτό το εγχειρίδιο για μελλοντική αναφορά.

Χρήση του εργαλείου σας

Προσέχετε πάντα όταν χρησιμοποιείτε το εργαλείο.

- Φοράτε πάντα προστατευτικά γυαλιά ασφαλείας.
- Μην αφήνετε ποτέ μικρά παιδιά ή άτομα που δεν γνωρίζουν τις οδηγίες να χρησιμοποιήσουν τη συσκευή.
- Μην αφήνετε παιδιά ή ζώα να πλησιάσουν στο χώρο εργασίας ή να αγγίζουν τη συσκευή ή το καλώδιο τροφοδοσίας.
- Απαιτείται στενή επίβλεψη κατά τη χρήση της συσκευής πλησίον παιδιών.
- Αυτή η συσκευή δεν προορίζεται για χρήση από νεαρά ή αδύναμα άτομα χωρίς επίβλεψη.
- Η συσκευή αυτή δεν πρέπει να χρησιμοποιείται ως παιχνίδι.
- Χρησιμοποιήστε τη συσκευή μόνο με φως ημέρας ή με επαρκή τεχνητό

φωτισμό.

- Να χρησιμοποιείται μόνο σε στεγνή τοποθεσία. Μην αφήνετε να βραχεί η συσκευή.
- Μην εμβυθίζετε τη συσκευή σε νερό.
- Μην ανοίγετε το περίβλημα του σώματος της συσκευής. Δεν υπάρχουν εξαρτήματα στο εσωτερικό που να επιδέχονται επισκευή από το χρήστη.
- Μη θέτετε σε λειτουργία τη συσκευή σε εκρηκτικό περιβάλλον, όπως παρουσία εύφλεκτων υγρών, αερίων ή σκόνης.
- Για να βγάλετε το φισ από την πρίζα, μην τραβάτε ποτέ το καλώδιο. Έτσι θα αποφύγετε τον κίνδυνο φθοράς του φισ και του καλωδίου.

Ασφάλεια τρίτων

- Αυτή η συσκευή μπορεί να χρησιμοποιηθεί από παιδιά ηλικίας 8 ετών και άνω καθώς και από άτομα με μειωμένες σωματικές, αισθητικές ή διανοητικές ικανότητες ή άτομα χωρίς εμπειρία και γνώσεις, μόνο εφόσον επιτηρούνται ή τους έχουν δοθεί οδηγίες σχετικά με την ασφαλή χρήση της συσκευής και έχουν κατανοήσει τους πιθανούς κινδύνους. Τα παιδιά δεν πρέπει να παίζουν με τη συσκευή. Ο καθαρισμός και η συντήρηση δεν πρέπει να γίνεται από παιδιά χωρίς επίβλεψη.
- Τα παιδιά πρέπει να επιτηρούνται για να διασφαλίζεται ότι δεν παίζουν με τη συσκευή.

Αναπόφευκτοι κίνδυνοι

Μπορεί να δημιουργηθούν επιπρόσθετοι αναπόφευκτοι κίνδυνοι όταν χρησιμοποιείτε το εργαλείο, οι οποίοι μπορεί να μην συμπεριλαμβάνονται στις προειδοποιήσεις ασφαλείας που εσωκλείονται. Αυτοί οι κίνδυνοι μπορεί να προκληθούν από κακή χρήση, παρατεταμένη χρήση κτλ.

Ακόμα και με την τήρηση των σχετικών κανονισμών ασφαλείας και τη χρήση μέσω προστασίας, ορισμένοι κίνδυνοι δεν είναι δυνατό να εξαλειφθούν. Αυτοί περιλαμβάνουν:

- Τραυματισμούς από το άγγιγμα των περιστρεφόμενων/κινούμενων μερών.
- Τραυματισμούς από αλλαγή οποιωνδήποτε εξαρτημάτων, λεπίδων ή αξεσουάρ.
- Τραυματισμούς από παρατεταμένη χρήση του εργαλείου. Όταν χρησιμοποιείτε οποιοδήποτε εργαλείο για παρατεταμένες χρονικές περιόδους βεβαιωθείτε ότι κάνετε τακτικά διαλείμματα.
- Προβλήματα ακοής.
- Οι κίνδυνοι για την υγεία λόγω εισπνοής σκόνης που αναπτύσσεται κατά τη χρήση του εργαλείου σας (παράδειγμα: - εργασία με ξύλο, ειδικά βελανιδιά, οξιά και MDF.)

Μετά τη χρήση

- Όταν δεν χρησιμοποιείται, η συσκευή πρέπει να φυλάσσεται σε στεγνό, καλά αεριζόμενο χώρο, μακριά από παιδιά.
- Τα παιδιά δεν πρέπει να έχουν

πρόσβαση σε αποθηκευμένες συσκευές.

- Όταν η συσκευή αποθηκεύεται ή μεταφέρεται μέσα σε όχημα πρέπει να τοποθετείται στο χώρο αποσκευών ή να στερεώνεται ώστε να μη μετακινείται σε περίπτωση απότομων μεταβολών της ταχύτητας ή της κατεύθυνσης του οχήματος.

Έλεγχος και επισκευή

- Πριν από τη χρήση, ελέγξτε τη συσκευή για κατεστραμμένα ή ελαττωματικά τμήματα. Ελέγξτε αν υπάρχουν σπασμένα εξαρτήματα και οποιεσδήποτε άλλες συνθήκες που θα μπορούσαν να επηρεάσουν τη λειτουργία της.
- Μη χρησιμοποιείτε τη συσκευή αν οποιοδήποτε τμήμα είναι κατεστραμμένο ή ελαττωματικό.
- Φροντίστε να γίνει η επισκευή ή η αντικατάσταση των τυχόν ελαττωματικών εξαρτημάτων από εξουσιοδοτημένο κέντρο επισκευών.
- Μην επιχειρήσετε να αφαιρέσετε ή να αντικαταστήσετε οποιαδήποτε τμήματα εκτός από αυτά που ορίζονται στο παρόν εγχειρίδιο.

Συμπληρωματικές οδηγίες ασφαλείας για τα χορτοκοπτικά με μακριά λαβή

Προειδοποίηση! Τα εξαρτήματα κοπής συνεχίζουν να περιστρέφονται και μετά την απενεργοποίηση του μοτέρ.

- Εξοικειωθείτε με τα χειριστήρια και τη

σωστή χρήση της συσκευής.

- ♦ Πριν από τη χρήση, ελέγξτε προσεκτικά το καλώδιο τροφοδοσίας και το καλώδιο προέκτασης για σημάδια ζημιάς, παλαιώσης ή φθοράς. Εάν κάποιο καλώδιο υποστεί ζημιά κατά τη χρήση, αποσυνδέστε το αμέσως από την πρίζα. ΜΗΝ ΑΓΓΙΖΙΖΕΤΕ ΤΟ ΚΑΛΩΔΙΟ ΠΡΙΝ ΑΠΟΣΥΝΔΕΣΕΤΕ ΤΗΝ ΤΡΟΦΟΔΟΣΙΑ.
- ♦ Μην χρησιμοποιείτε τη συσκευή εάν τα καλώδια είναι κατεστραμμένα ή φθαρμένα.
- ♦ Να φοράτε γερά παπούτσια ή μπότες για να προστατεύετε τα πόδια σας.
- ♦ Να φοράτε παντελόνι για να προστατεύετε τα πόδια σας.
- ♦ Πριν χρησιμοποιείτε τη συσκευή, βεβαιωθείτε ότι στο γκαζόν που θα κόψετε δεν υπάρχουν ξύλα, πέτρες, σύρματα ή άλλα εμπόδια.
- ♦ Χρησιμοποιείτε τη συσκευή μόνο σε κατακόρυφη θέση, με τη γραμμή κοπής κοντά στο έδαφος. Ποτέ μην ενεργοποιήσετε τη συσκευή σε οποιαδήποτε άλλη θέση.
- ♦ Μετακινηθείτε αργά κατά τη χρήση της συσκευής. Να έχετε υπόψη σας ότι το φρεσκοκομμένο γρασίδι είναι νωπό και ολισθηρό.
- ♦ Μην εργάζεστε σε τοποθεσίες με απότομη κλίση. Σε εδάφη με κλίση, να εργάζεστε κατά το πλάτος της κλίσης, όχι προς τα πάνω και κάτω.
- ♦ Μην διασχίζετε ποτέ μονοπάτια ή δρόμους με χαλίκι με τη συσκευή σε

λειτουργία.

- ♦ Μην αγγίζετε ποτέ τη γραμμή κοπής ενώ λειτουργεί η συσκευή.
- ♦ Μην ακουμπήσετε κάτω τη συσκευή προτού η γραμμή κοπής ακινητοποιηθεί εντελώς.
- ♦ Χρησιμοποιείτε μόνο τον κατάλληλο τύπο γραμμής κοπής. Μην χρησιμοποιείτε ποτέ μεταλλική γραμμή κοπής ή πετονιά για ψάρεμα.
- ♦ Προσέξτε να μην αγγίζετε ποτέ τη λεπίδα κοπής γραμμής.
- ♦ Προσέξτε ώστε το καλώδιο ρεύματος να παραμένει μακριά από τη γραμμή κοπής. Να έχετε πάντα υπόψη σα τη θέση του καλωδίου.
- ♦ Κρατάτε πάντοτε τα χέρια και τα πόδια σας μακριά από τη γραμμή κοπής, ειδικά κατά την ενεργοποίηση του μοτέρ.
- ♦ Πριν χρησιμοποιήσετε τη συσκευή και μετά από οποιαδήποτε πρόσκρουση, ελέγχετε για σημάδια φθοράς ή ζημιάς και επισκευάστε εάν είναι απαραίτητο.
- ♦ Μην χρησιμοποιείτε ποτέ τη συσκευή με ελαττωματικά προστατευτικά ή χωρίς τα προστατευτικά στη θέση τους.
- ♦ Προσέξτε να μην τραυματιστείτε από οποιαδήποτε συσκευή έχει

τοποθετηθεί για την κοπή της γραμμής νήματος. Μετά το τέντωμα νέας γραμμής κοπής, πάντοτε επαναφέρετε το μηχάνημα στην κανονική του θέση χειρισμού πριν το ενεργοποιήσετε.

- Εξασφαλίζετε πάντοτε ότι οι εγκοπές εξαερισμού διατηρούνται καθαρές από υπολείμματα.
- Μη χρησιμοποιείτε το χλοοκοπτικό (εργαλείο κοπής), αν τα καλώδια είναι κατεστραμμένα ή φθαρμένα.
- Κρατήστε τα καλώδια επέκτασης μακριά από στοιχεία κοπής.

Ασφαλής χρήση ηλεκτρικού ρεύματος



Αυτή η συσκευή φέρει διπλή μόνωση, επομένως δεν απαιτείται σύρμα γείωσης. Ελέγχετε πάντοτε αν η τάση τροφοδοσίας αντιστοιχεί σε αυτήν που αναγράφεται στην πινακίδα τεχνικών χαρακτηριστικών.

- Αν το καλώδιο τροφοδοσίας είναι κατεστραμμένο, πρέπει να αντικατασταθεί από τον κατασκευαστή ή εξουσιοδοτημένο κέντρο τεχνικής υποστήριξης της BLACK+DECKER για την αποφυγή κινδύνου.
- Η ασφαλής χρήση του ηλεκτρικού ρεύματος μπορεί να βελτιωθεί ακόμα περισσότερο με τη χρήση μιας Διάταξης Προστασίας Ρεύματος Διαρροής (RCD) 30 mA υψηλής ευαισθησίας.

Ετικέτες στη συσκευή

Τα παρακάτω σύμβολα προειδοποίησης υπάρχουν στη συσκευή μαζί με τον κωδικό date:



Διαβάστε το εγχειρίδιο οδηγιών πριν από τη λειτουργία.



Φοράτε προστατευτικά γυαλιά όταν χρησιμοποιείτε αυτήν τη συσκευή.



Φοράτε ωτασπίδες κατά το χειρισμό της συσκευής.



Να βγάζετε πάντα το βύσμα από την πρίζα πριν ελέγξετε ένα φθαρμένο καλώδιο. Προσέξτε να μην χρησιμοποιήσετε το χορτοκοπτικό αν το καλώδιο έχει φθαρεί ή καταστραφεί.



Προσέχετε για τυχόν αντικείμενα που εκσφενδονίζονται. Μην αφήνετε να πλησιάσουν άλλα άτομα στην περιοχή κοπής.



Μην εκθέτετε τη συσκευή σε βροχή ή υψηλή υγρασία.



Οδηγία 2000/14/EK περί εγγυημένης ακουστικής ισχύος.

Λειτουργίες

Η παρούσα συσκευή περιλαμβάνει μερικά ή όλα από τα παρακάτω στοιχεία.

1. Διακόπτης on/off
2. Λαβή
3. Συγκρατητήρα καλωδίου
4. Υποδοχή τροφοδοσίας
5. Δεύτερη λαβή
6. Κουμπί ρύθμισης
7. Σωλήνας
8. Χώρος αποθήκευσης ανταλλακτικού καρουλιού
9. Καρούλι HDL
10. Προστατευτικό
11. Λεπίδα κοπής γραμμής
12. Περιβλήμα καρουλιού
13. Νήμα κοπής
14. Τροχός φινιρίσματος άκρου

Συναρμολόγηση

Προειδοποίηση! Πριν από τη συναρμολόγηση, βεβαιωθείτε ότι το εργαλείο είναι απενεργοποιημένο και ότι το φως δεν είναι συνδεδεμένο στην πρίζα..

Τοποθέτηση του προστατευτικού (εικ. A&B)

- Αφαιρέστε τη βίδα (15) από το προστατευτικό (10).
- Τοποθετήστε το προστατευτικό (10) στο εργαλείο όπως εικονίζεται.

- ◆ Πιέστε γερά το προστατευτικό μέχρι να κουμπώσει στη θέση του.
- ◆ Ασφαλίστε το προστατευτικό με τη βίδα.
- ◆ Σφίξτε τη βίδα.

Προειδοποίηση! Ποτέ μην χρησιμοποιείτε το εργαλείο εάν δεν έχει τοποθετηθεί σωστά το προστατευτικό.

Τοποθέτηση της δευτερεύουσας λαβής (εικ. C)

- ◆ Πιέστε και κρατήστε πατημένο το κουμπί ρύθμισης (6) στα πλάγια του κύριου κορμού.
- ◆ Σύρετε τη δευτερεύουσα λαβή (5) στη θέση της πάνω από το κουμπί ρύθμισης (6).

Προειδοποίηση! Βεβαιωθείτε ότι τα δόντια στο κουμπί έχουν ευθυγραμμιστεί σωστά με τις εγκοπές στη λαβή και ότι η λαβή έχει ασφαλιστεί.

Ρύθμιση της θέσης της δευτερεύουσας λαβής (εικ. D)

Η δευτερεύουσα λαβή (5) μπορεί να ρυθμιστεί για να εξασφαλιστεί άριστη ισορροπία και άνεση.

- ◆ Πιέστε το κουμπί ρύθμισης (6) στην αριστερή πλευρά της λαβής.
- ◆ Περιστρέψτε τη δευτερεύουσα λαβή (5) στην απαιτούμενη θέση.
- ◆ Απελευθερώστε το κουμπί ρύθμισης (6).

Προειδοποίηση! Βεβαιωθείτε ότι τα δόντια στο κουμπί έχουν ευθυγραμμιστεί σωστά με τις εγκοπές στη λαβή και ότι η λαβή έχει ασφαλιστεί.

Ρύθμιση του ύψους του εργαλείου (εικ. E & F)

Ρύθμιση του ύψους του εργαλείου (εικ. E & F) Το εργαλείο αυτό έχει έναν τηλεσκοπικό μηχανισμό, που σας επιτρέπει να το ρυθμίσετε σε ένα άνετο ύψος. Υπάρχουν πολλαπλές ρυθμίσεις ύψους.

Για να ρυθμίσετε το ύψος, προχωρήστε ως εξής:

- ◆ Απελευθερώστε το σφιγκτήρα ασφάλισης ρύθμισης του ύψους (16).
- ◆ Τραβήξτε απαλά το σωλήνα (7) προς τα πάνω ή προς τα κάτω στο ύψος που επιθυμείτε.
- ◆ Κλείστε το σφιγκτήρα ασφάλισης ρύθμισης του ύψους (16).

Απελευθέρωση του νήματος κοπής

Κατά τη μεταφορά, το νήμα κοπής είναι κολλημένο με ταινία στο περίβλημα του καρουλιού.

Προειδοποίηση! Πριν από τη συναρμολόγηση, αφαιρέστε τη μπαταρία από το εργαλείο.

- ◆ Αφαιρέστε την ταινία που συγκρατεί το νήμα κοπής στο περίβλημα του καρουλιού (12).

Φύλαξη του καρουλιού που δεν χρησιμοποιείται (εικ. G)

Το εργαλείο έχει δύο συστήματα κοπής:

- ◆ **AFS:** Αυτόματη τροφοδοσία μόνης γραμμής για ελαφριά κοπή και φινιρίσμα άκρου.
- ◆ **HDL:** Σύστημα κοπής διπλής κοπής για απαιτητικές εργασίες για περιοχές με πιο ψηλό γκαζόν.

Σημείωση: Το καρούλι HDL μπορεί να χρησιμοποιηθεί μόνο στη λειτουργία κοπής.

Μπορείτε να αποθηκεύσετε το σύστημα κοπής που δεν

χρησιμοποιείτε στο χώρο αποθήκευσης ανταλλακτικού καρουλιού (GL8033 & GL9035 μόνο).

- ◆ Ευθυγραμμίστε τις γλωπίδες (17) στο κάλυμμα του καρουλιού με τις εγκοπές (18) στο χώρο αποθήκευσης ανταλλακτικού καρουλιού (8).
- ◆ Πιέστε το κάλυμμα πάνω στο χώρο αποθήκευσης ανταλλακτικού καρουλιού μέχρι να κουμπώσει καλά στη θέση του.

Σύνδεση του εργαλείου στο δίκτυο ηλεκτρικής τροφοδοσίας (εικ. H)

- ◆ Συνδέστε το θηλυκό βύσμα ενός κατάλληλου καλωδίου προέκτασης στην υποδοχή εισόδου τροφοδοσίας (4).
- ◆ Περάστε σε θηλιά το καλώδιο από το συγκρατητήρα καλωδίου (3).
- ◆ Συνδέστε το βύσμα ρεύματος στην πρίζα. Για καλωδιωμένες μονάδες: Βεβαιωθείτε ότι το καλώδιο έχει περαστεί μέσα από το συγκρατητήρα καλωδίου πριν συνδέσετε το φις στην πρίζα του δικτύου ηλεκτρικής τροφοδοσίας.

Προειδοποίηση! Το καλώδιο προέκτασης πρέπει να είναι κατάλληλο για χρήση σε εξωτερικούς χώρους.

Χρήση

Προειδοποίηση! Αφήστε το εργαλείο να λειτουργήσει με το δικό του ρυθμό. Μην το υπερφορτώνετε.

Ρύθμιση του εργαλείου στη λειτουργία κοπής ή φινιρίσματος άκρου (εικ. I & J)

Το εργαλείο μπορεί να χρησιμοποιηθεί στη λειτουργία κοπής όπως φαίνεται στην εικ. I ή στη λειτουργία φινιρίσματος άκρου, για να κόψει χόρτα που κρένονται από το άκρο του γκαζόν ή του παρτεριού όπως φαίνεται στην εικ. J.

Λειτουργία κοπής (εικ. I)

Για την κοπή, η κεφαλή κοπής πρέπει να βρίσκεται στη θέση που φαίνεται στην εικ. I. Εάν δεν είναι:

- ◆ Απελευθερώστε το σφιγκτήρα ασφάλισης ρύθμισης του ύψους (16).
- ◆ Περιστρέψτε το σωλήνα (7) δεξιόστροφα.
- ◆ Όταν η κεφαλή έρθει στη θέση της, κλείστε το σφιγκτήρα ασφάλισης ρύθμισης του ύψους (16).

Σημείωση: Ο σωλήνας περιστρέφεται μόνο προς μία κατεύθυνση.

Σημείωση: Το καρούλι HDL μπορεί να χρησιμοποιηθεί στη λειτουργία κοπής.

Λειτουργία φινιρίσματος άκρου (εικ. J)

Για φινιρίσμα άκρου, η κεφαλή κοπής πρέπει να βρίσκεται στη θέση που φαίνεται στην εικ. J. Εάν δεν είναι:

- ◆ Απελευθερώστε το σφιγκτήρα ασφάλισης ρύθμισης του ύψους (16).
- ◆ Περιστρέψτε το σωλήνα (7) αριστερόστροφα.
- ◆ Όταν η κεφαλή έρθει στη θέση της, κλείστε το σφιγκτήρα ασφάλισης ρύθμισης του ύψους (16).

Σημείωση: Ο σωλήνας περιστρέφεται μόνο προς μία κατεύθυνση.

Ενεργοποίηση και απενεργοποίηση

- ◆ Για να ενεργοποιήσετε το εργαλείο, πιέστε το διακόπτη on/off (1).
- ◆ Για να απενεργοποιήσετε το εργαλείο, απελευθερώστε το μοχλό-σκανδάλη.

Προειδοποίηση! Μην επιχειρήσετε ποτέ να ασφαλίσετε το μοχλό-σκανδάλη στη θέση ενεργοποίησης (ON).

Συμβουλές για άριστη χρήση

Γενικά

- ◆ Για καλύτερα αποτελέσματα κοπής, κόβετε μόνο στεγνό γρασίδι.

Κόψιμο

- ◆ Κρατάτε το εργαλείο όπως υποδεικνύεται στην εικ. Κ.
- ◆ Κινήστε το χορτοκοπτικό απαλά, παλινδρομικά από πλευρά σε πλευρά.
- ◆ Όταν κόβετε ψηλά χόρτα, εργαστείτε σταδιακά από την κορυφή προς τα κάτω. Πραγματοποιήστε μικρές κοπές
- ◆ Κρατήστε το εργαλείο μακριά από σκληρά αντικείμενα και ευαίσθητα φυτά.
- ◆ Το νήμα κοπής θα φθερίσει ταχύτερα και θα χρειάζεται συχνότερη τροφοδοσία, εάν η κοπή γίνεται κατά μήκος πεζοδρομίων ή άλλων σκληρών επιφανειών ή εάν κόβονται μεγαλύτερα ζιζάνια.
- ◆ Εάν το εργαλείο αρχίσει να λειτουργεί πιο αργά, μειώστε το φορτίο.

Φινίρισμα άκρου

Άριστα αποτελέσματα κοπής επιτυγχάνονται σε άκρα μήκους άνω των 50 mm.

- ◆ Μη χρησιμοποιήσετε το εργαλείο για τη δημιουργία άκρων. Για τη δημιουργία άκρων, χρησιμοποιήστε ένα φτυάρι κατάλληλο για αυτό.
- ◆ Κατευθύνετε το εργαλείο στον τροχό του όπως υποδεικνύεται στην εικ. L.
- ◆ Για να πραγματοποιήσετε μια πλησιέστερη κοπή, γείρετε ελαφρά το εργαλείο.

Τοποθέτηση νέου καρουλιού νήματος κοπής (εικ. M & N)

Ανταλλακτικά καρούλια νήματος κοπής διατίθενται από τα εμπορικά σημεία πώλησης προϊόντων BLACK+DECKER (κατ. αριθ. A6482). Διατίθενται επίσης συσκευασίες που περιέχουν 3 καρούλια νήματος κοπής (αρ. κατ. A6486).

- ◆ Αποσυνδέστε το εργαλείο από την πρίζα.
- ◆ Κρατήστε τις γλωπίδες (17) πιεσμένες και αφαιρέστε το κάλυμμα του καρουλιού (21) από το περίβλημα (12) (εικ. M).
- ◆ Αφαιρέστε το άδαιο καρούλι (22) από το κάλυμμα του καρουλιού.
- ◆ Αφαιρέστε τυχόν βρωμιές και χόρτα από το κάλυμμα και από το περίβλημα του καρουλιού.
- ◆ Ξεκουμπώστε το άκρο του νήματος κοπής και περάστε το στην οπή (23) (εικ. M). Το νήμα πρέπει να προεξέχει περίπου 11 cm από το κάλυμμα του καρουλιού.

Σημείωση: Μην αφήσετε το νήμα μέσα στο καρούλι να ξετυλιχθεί. Κρατάτε το σταθερά συνεχώς με το ένα χέρι.

- ◆ Πάρτε το νέο καρούλι και πιέστε το πάνω στην πλήμνη μέσα στο περίβλημα καρουλιού. Περιστρέψτε το καρούλι

ελαφρά μέχρι να ασφαλίσει στη θέση του.

- ◆ Ευθυγραμμίστε τις γλωπίδες (17) στο κάλυμμα του καρουλιού με τις εγκοπές (24) στο περίβλημα (12).
- ◆ Πιέστε το κάλυμμα μέσα στο περίβλημα μέχρι να κουμπώσει καλά στη θέση του.

Προειδοποίηση! Εάν τα νήματα κοπής προεξέχουν πέρα από τη λεπίδα κοπής (11), κόψτε τα ώστε μόλις να φτάνουν στη λεπίδα.

Τοποθέτηση ενός νέου νήματος κοπής για απαιτητικές εργασίες (εικ. O & P)

Ανταλλακτικές συσκευασίες 10 νημάτων κοπής για απαιτητικές εργασίες διατίθενται από τα εμπορικά σημεία πώλησης προϊόντων BLACK+DECKER (κατ. αριθ. A6489). Για να τοποθετήσετε ένα νέο νήμα κοπής, κάντε τα εξής:

- ◆ Αποσυνδέστε το εργαλείο από την πρίζα.
- ◆ Κρατήστε τις γλωπίδες (17) πιεσμένες και αφαιρέστε την τάπα HDL (9) από το περίβλημα (12).
- ◆ Αφαιρέστε τυχόν βρωμιές και χόρτα από την τάπα HDL (9) και το περίβλημα.
- ◆ Αφαιρέστε το χρησιμοποιημένο κομμάτι νήματος από την τάπα HDL (9).
- ◆ Περάστε ένα νέο κομμάτι νήματος (20) μέσα από τις οπές (27) σε μία από τις πλευρές της τάπας HDL.
- ◆ Τοποθετήστε τον κεντρικό δακτύλιο (28) στη θέση που υποδεικνύεται (εικ. P).
- ◆ Επανατοποθετήστε την τάπα HDL.

Προειδοποίηση! Χρησιμοποιήστε μόνο τον κατάλληλο τύπο νήματος κοπής της BLACK+DECKER.

Αντιμετώπιση προβλημάτων

Σε περίπτωση που το εργαλείο σας δεν φαίνεται να λειτουργεί σωστά, ακολουθήστε τις παρακάτω οδηγίες. Αν αυτό δεν σας βοηθήσει να επιλύσετε το πρόβλημα, παρακαλείστε να επικοινωνήσετε με το πλησιέστερο κέντρο επισκευών της BLACK+DECKER.

Προειδοποίηση! Πριν προχωρήσετε, αποσυνδέστε το εργαλείο από την πρίζα.

Το εργαλείο λειτουργεί αργά

- ◆ Ελέγξτε ότι το περίβλημα του καρουλιού μπορεί να περιστρέφεται ελεύθερα. Καθαρίστε το προσεκτικά, εάν χρειάζεται.
- ◆ Ελέγξτε ότι η γραμμή κοπής δεν προεξέχει περισσότερο από 11 cm από το περίβλημα του καρουλιού. Εάν προεξέχει, κόψτε το ώστε μόλις να φτάνει στη λεπίδα κοπής.

Η αυτόματη τροφοδοσία νήματος δε λειτουργεί

- ◆ Κρατήστε τις γλωπίδες πιεσμένες και αφαιρέστε το κάλυμμα του καρουλιού από το περίβλημα.
- ◆ Τραβήξτε το νήμα κοπής μέχρι να προεξέχει 11 cm από το περίβλημα. Εάν έχει μείνει ανεπαρκές μήκος νήματος κοπής στο καρούλι, τοποθετήστε ένα νέο καρούλι νήματος κοπής σύμφωνα με τις παραπάνω οδηγίες.
- ◆ Ευθυγραμμίστε τις γλωπίδες στο κάλυμμα του καρουλιού με τις εγκοπές στο περίβλημα.
- ◆ Πιέστε το κάλυμμα μέσα στο περίβλημα μέχρι να κουμπώσει καλά στη θέση του.

- ♦ Εάν το νήμα προεξέχει πέρα από τη λεπίδα κοπής, κόψτε το έτσι ώστε μόλις να φτάνει στη λεπίδα.

Εάν η αυτόματη τροφοδοσία νήματος εξακολουθεί να μην λειτουργεί ή εάν το καρούλι έχει φρακάρει, δοκιμάστε τις παρακάτω υποδείξεις:

- ♦ Καθαρίστε προσεκτικά το κάλυμμα του καρουλιού και το περίβλημα.
- ♦ Αφαιρέστε το καρούλι και ελέγξτε εάν ο μοχλός μπορεί να κινηθεί ελεύθερα.
- ♦ Αφαιρέστε το καρούλι και ξετυλίξτε το νήμα κοπής και, στη συνέχεια, τυλίξτε το και πάλι με τάξη όπως περιγράφεται παραπάνω. Αντικαταστήστε το καρούλι σύμφωνα με τις οδηγίες.

Συντήρηση

Αυτή η συσκευή/εργαλείο με καλώδιο/χωρίς καλώδιο της BLACK+DECKER έχει σχεδιαστεί έτσι ώστε να λειτουργεί για μεγάλο χρονικό διάστημα με την ελάχιστη δυνατή συντήρηση. Η αδιάλειπτη και ικανοποιητική λειτουργία του εργαλείου/συσκευής εξαρτάται από τη φροντίδα και τον τακτικό καθαρισμό του. Ο φορτιστής σας δεν απαιτεί άλλη συντήρηση εκτός του τακτικού καθαρισμού.

Προειδοποίηση! Πριν πραγματοποιήσετε οποιαδήποτε συντήρηση σε ηλεκτρικά εργαλεία με καλώδιο/χωρίς καλώδιο:

- ♦ Απενεργοποιήστε και αποσυνδέστε τη συσκευή/εργαλείο από την πρίζα.
- ♦ Ή απενεργοποιήστε και αφαιρέστε την μπαταρία από τη συσκευή/εργαλείο, εάν η συσκευή/εργαλείο διαθέτει ξεχωριστή μπαταρία.
- ♦ Ή χρησιμοποιήστε την μπαταρία μέχρι να αδειάσει εντελώς και, στη συνέχεια, απενεργοποιήστε τη συσκευή/εργαλείο.
- ♦ Πριν καθαρίσετε το φορτιστή, αποσυνδέστε τον από την πρίζα. Ο φορτιστής σας δεν απαιτεί άλλη συντήρηση εκτός του τακτικού καθαρισμού.
- ♦ Να καθαρίζετε τακτικά τις εγκοπές εξερισμού του εργαλείου/συσκευής και του φορτιστή με μια μαλακή βούρσα ή ένα στεγνό πανί.
- ♦ Να καθαρίζετε τακτικά το περίβλημα του μοτέρ με ένα υγρό πανί. Μη χρησιμοποιείτε λειαντικά καθαριστικά ή υγρά καθαρισμού που περιέχουν διαλυτικά.
- ♦ Να καθαρίζετε τακτικά το νήμα και το καρούλι με μια μαλακή βούρσα ή με ένα στεγνό πανί.
- ♦ Χρησιμοποιείτε τακτικά μια μη αιχμηρή ξύστρα για να αφαιρέσετε το γρασίδι και το χώμα από το κάτω μέρος του προστατευτικού.

Προστασία του περιβάλλοντος



Χωριστή συλλογή. Τα προϊόντα και οι μπαταρίες που επισημαίνονται με αυτό το σύμβολο δεν πρέπει να απορρίπτονται μαζί με τα κανονικά οικιακά απορρίμματα.

Τα προϊόντα και οι μπαταρίες περιέχουν υλικά που μπορούν να ανακτηθούν ή να ανακυκλωθούν ώστε να μειωθούν οι ανάγκες για πρώτες ύλες.

Παρακαλούμε να ανακυκλώνετε τα ηλεκτρικά προϊόντα και τις μπαταρίες σύμφωνα με τους τοπικούς κανονισμούς.

Περισσότερες πληροφορίες διατίθενται στον ιστότοπο www.2helpU.com

Τεχνικά χαρακτηριστικά

		GL7033 Τύπος 1	GL8033 Τύπος 1	GL9035 Τύπος 1
Τάση	V _{ac}	230	230	230
Ισχύς εισόδου	W	700	800	900
Ταχύτητα χωρίς φορτίο	min ⁻¹	7000	7000	7000
Βάρος	kg	3.2	3.2	3.2

Στάθμη ηχητικής πίεσης:

Ηχητική πίεση (L_{WA}) 81 dB(A), αβεβαιότητα (K) 1.2 dB(A)

Ηχητική ισχύς (L_{WA}) 95 dB(A), αβεβαιότητα (K) 1.2 dB(A)

Συνολικές τιμές δόνησης (διανυσματικό άθροισμα τριών αξόνων) κατά EN 50636-2-91:

Τμή ηχομητής δόνησης (a) 8.2 m/s², αβεβαιότητα (K) 1.5 m/s²

Δήλωση συμμόρφωσης ΕΚ

ΟΔΗΓΙΑ ΠΕΡΙ ΜΗΧΑΝΗΜΑΤΩΝ
ΟΔΗΓΙΑ ΓΙΑ ΘΟΡΥΒΟΥΣ ΣΕ ΕΞΩΤΕΡΙΚΟΥΣ ΧΩΡΟΥΣ



ST4525/ST5528/ST5530 - χορτοκοπτικό

Η Black & Decker δηλώνει ότι τα προϊόντα αυτά που περιγράφονται στα "τεχνικά χαρακτηριστικά" συμμορφώνονται με τα ακόλουθα:

2006/42/ΕΚ, EN60335-1:2012 + A11:2014 + A13:2017 + A1:2019 + A14:2019 + A2:2019, EN50636-2-91:2014.

2000/14/ΕΚ, Χορτοκοπτικό, L < 50cm, Παράρτημα VI, DEKRA Testing and Certification GmbH, Handwerkstraße 15, 70565 Stuttgart
Τοποθεσία κοινοποιημένου φορέα, Dinnendahlstr. 9, 44809 Bochum, Germany (Γερμανία)

Αριθμός κοινοποιημένου φορέα: 0158
L_{WA} (μετρούμενη ηχητική ισχύς) 84 dB(A)
αβεβαιότητα (K) = 1,2 dB(A),

L_{WA} (εγγυημένη ηχητική ισχύς) 96 dB(A)

Αυτά τα προϊόντα συμμορφώνονται επίσης με την Οδηγία 2014/30/ΕΕ και 2011/65/ΕΕ.

Για περισσότερες πληροφορίες, παρακαλείστε να επικοινωνήσετε με την Black & Decker στην παρακάτω διεύθυνση ή να ανατρέξετε στο πίσω μέρος του εγχειριδίου. Ο κάτωθι υπογεγραμμένος είναι υπεύθυνος για την κατάρτιση του τεχνικού φακέλου και δηλώνει τα παρόντα εκ μέρους της Black & Decker.

Patrick Diepenbach

Patrick Diepenbach
Γενικός Διευθυντής, Μπενελούξ
Black and Decker,
Egide Walschaertsstraat 14-18
2800 Mechelen, Belgium (Βέλγιο)
15.06.2021

Εγγύηση

Η Black & Decker είναι σίγουρη για την ποιότητα των προϊόντων της και προσφέρει στους καταναλωτές εγγύηση 24 μηνών από την ημερομηνία αγοράς. Αυτή η εγγύηση είναι πρόσθετο δικαίωμά σας και δεν ζημιώνει τα νόμιμα δικαιώματά σας. Η εγγύηση ισχύει εντός της επικράτειας των χωρών μελών της Ευρωπαϊκής Ένωσης και της Ευρωπαϊκής Ζώνης Ελευθέρων Συναλλαγών. Για να υποβάλετε αξίωση βάσει της εγγύησης, η αξίωση θα πρέπει να είναι σύμφωνη με τους Όρους και προϋποθέσεις της Black&Decker και θα χρειαστεί να υποβάλετε απόδειξη αγοράς στον πωλητή ή σε εξουσιοδοτημένο αντιπρόσωπο επισκευών.

Μπορείτε να αποκτήσετε τους Όρους και προϋποθέσεις της εγγύησης 2 ετών της Black&Decker και να μάθετε την τοποθεσία του πλησιέστερου εξουσιοδοτημένου αντιπροσώπου επισκευών στο Internet στο www.2helpU.com, ή επικοινωνώντας με το τοπικό σας γραφείο Black & Decker στη διεύθυνση που υποδεικνύεται στο παρόν εγχειρίδιο.

Παρακαλούμε επισκεφθείτε την ιστοσελίδα μας www.blackanddecker.gr για να καταχωρίσετε το νέο σας προϊόν Black & Decker και για να ενημερώνεστε για τα νέα προϊόντα και τις ειδικές προσφορές.

België/Belgique/Luxembourg www.blackanddecker.be enduser.be@sbdinc.com	Stanley Black & Decker Belgium BVBA Egide Walschaertsstraat 16 2800 Mechelen	Tel. NL +32 15 47 37 65 Tel. FR +32 15 47 37 66 Fax. +32 15 47 37 99
Danmark	Black & Decker Roskildevej 22 2620 Albertslund	kundeservice.dk@sbdinc.com www.blackanddecker.dk
Deutschland www.blackanddecker.de infobdgc@sbdinc.com	Stanley Black & Decker Deutschland GmbH Black & Decker Str. 40, D - 65510 Idstein	Tel. 06126 21-0 Fax 06126 21-2980
Ελλάδα www.blackanddecker.gr greece.service@sbdinc.com	Stanley Black & Decker (ΕΛΛΑΣ) Ε.Π.Ε ΓΡΑΦΕΙΑ: Σπύριδωνος 7 & Βουλιαγμένης 166 74 Γλυφάδα - Αθήνα	Τηλ. 210-8981616 Φαξ 210-8983570
SERVICE:	Ημερος Τόπος 2 -Χάνι Αδάμ 193 00 Ασπρόπυργος - Αθήνα	Τηλ. Service 210-8985208 Φαξ 210-5597598
España www.blackanddecker.es respuesta.posventa@sbdinc.com	Stanley Black & Decker Ibérica, S.C.A. Parc de Negocis "Mas Blau" Edificio Muntadas, c/Bergadà, 1, Of. A6 08820 El Prat de Llobregat (Barcelona)	Tel. 934 797 400 Fax 934 797 419
France www.blackanddecker.fr	Black & Decker (France) S.A.S. 5 allée des Hêtres B.P. 30084 69579 Limonest Cédex	Tel. 04 72 20 39 20 Fax 04 72 20 39 00
Helvetia www.blackanddecker.ch service@rofoag.ch	ROFO AG Gewerbezone Seeblick 3213 Kleinbödingen	Tel. 026-6749393 Fax 026-6749394
Italia www.blackanddecker.it service.italia@sbdinc.com	Stanley Black & Decker Italia Via Energypark 6 20871 Vimercate (MB)	Tel. 039-9590200 Fax 039-9590313 Numero verde 800-213935
Nederland www.blackanddecker.nl enduser.nl@sbdinc.com	Stanley Black & Decker Netherlands BV Holtum Noordweg 35, 6121 RE BORN Postbus 83, 6120 AB BORN	Tel. +31 164 283 065 Fax +31 164 283 200
Norge	Black & Decker Postboks 4613, Nydalen 0405 Oslo	kundeservice.no@sbdinc.com www.blackanddecker.no
Österreich www.blackanddecker.at service.austria@sbdinc.com	Stanley Black & Decker Austria GmbH Oberlaaerstraße 248, A-1230 Wien	Tel. 01 66116-0 Fax 01 66116-614
Portugal www.blackanddecker.pt resposta.posvenda@sbdinc.com	Black & Decker Limited SARL Quinta da Fonte - Edifício Q55 D. Diniz Rua dos Malhões, 2 e 2A - Piso 2 Esquerdo 2770 - 071 Paço de Arcos	Tel. 214667500 Fax 214667580
Suomi	Black & Decker PL47 00521, Helsinki	asiakaspalvelu.fi@sbdinc.com www.blackanddecker.fi
Sverige	Black & Decker AB Box 94, 431 22 Mölndal	kundservice.se@sbdinc.com www.blackanddecker.se
Türkiye www.blackanddecker.com.tr	KALE Hirdavat ve Makina A.Ş. Defferdar Mah. Savaklar Cad. No:15 Edimekapı / Eyüp / İstanbul 34050	Tel. 0212 533 52 55 Fax. 0212 533 10 05
United Kingdom & Republic Of Ireland www.blackanddecker.co.uk emeaservice@sbdinc.com	Black & Decker 270 Bath Road Slough, Berkshire SL1 4XD	Tel. 01753 511234 Fax 01753 512365
Middle East & Africa www.blackanddecker.ae service.mea@sbdinc.com	Black & Decker P.O.Box - 17164 Jebel Ali Free Zone (South), Dubai, UAE	Tel. +971 4 8863030 Fax +971 4 8863333

Free Manuals Download Website

<http://myh66.com>

<http://usermanuals.us>

<http://www.somanuals.com>

<http://www.4manuals.cc>

<http://www.manual-lib.com>

<http://www.404manual.com>

<http://www.luxmanual.com>

<http://aubethermostatmanual.com>

Golf course search by state

<http://golfingnear.com>

Email search by domain

<http://emailbydomain.com>

Auto manuals search

<http://auto.somanuals.com>

TV manuals search

<http://tv.somanuals.com>