



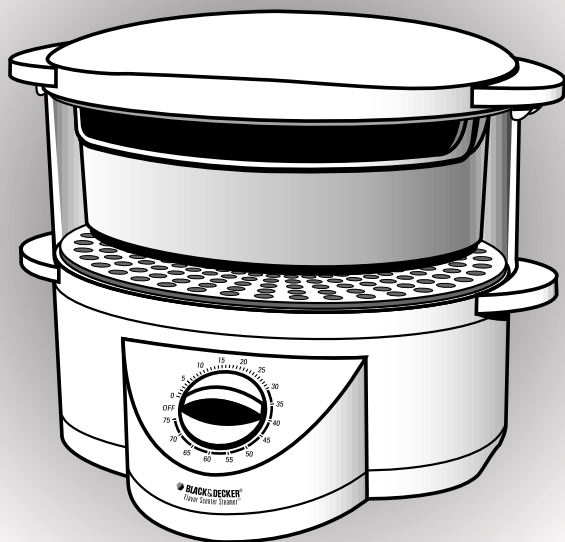
SAVE THIS USE AND CARE BOOK
LEA SE ESTE INSTRUCTIVO ANTES DE USAR EL PRODUCTO
CONSERVER CE GUIDE D'ENTRETIEN ET D'UTILISATION

Flavor Scenter Steamer™

Food/Rice Cooker (English, see page 2)

Vaporizadora/arrocera (Español, consulte la página 10)

Étuveuse (Français, à la page 20)



U.S.A./CANADA 1-800-231-9786

MEXICO 9-1-800-50833

<http://www.householdproductsinc.com>

MODELS/MODELOS/MODÈLES HS1776/HS2000

IMPORTANT SAFEGUARDS

When using electrical appliances, basic safety precautions should always be followed, including the following:

■ **Read all instructions.**

- Do not touch hot surfaces. Use handles or knobs. Use pot holders when removing cover or handling hot containers to avoid steam burns.
- To protect against a risk of electric shock, do not immerse cord, plug, or base unit in water or other liquid.
- Close supervision is necessary when any appliance is used by or near children.
- Unplug from outlet when not in use and before cleaning. Allow to cool before putting on or taking off parts or cleaning.
- Do not operate any appliance with a damaged cord or plug or after the appliance malfunctions or has been damaged in any manner. Return the appliance to an authorized service center for examination, repair, or adjustment.
- The use of accessory attachments not recommended by the appliance manufacturer may cause injuries.
- Do not use outdoors.
- Do not let cord hang over the edge of table or counter or touch hot surfaces.
- Do not place on or near a hot gas or electric burner or in a microwave or heated oven, or directly under cabinets.
- Extreme caution must be used when moving an appliance containing hot food, water, or other hot liquids. Avoid reaching over the steamer when operating.
- Do not use appliance for other than intended use.
- Do not operate in the presence of explosive and/or flammable fumes.
- Lift and open cover carefully to avoid scalding, and allow water to drip into steamer.
- This product is intended for household use only and not for commercial or industrial use

SAVE THESE INSTRUCTIONS

ELECTRICAL CORD

The cord length of this appliance was selected to reduce safety hazards that may occur with a longer cord. If more cord length is needed, an extension cord with a polarized plug may be used. It should be rated not less than 10 amperes, 120 volts, and have Underwriters Laboratories or Canadian Standards Association listing. When using a longer cord, be sure it does not drape over a working area or dangle where it could be pulled on or tripped over.

TAMPER-RESISTANT SCREW

This appliance is equipped with a tamper-resistant screw to prevent removal of the outer cover. To reduce the risk of fire or electric shock, **do not attempt to remove the outer cover**. There are no user serviceable parts inside. Repair should be done only by authorized service personnel.

POLARIZED PLUG

This appliance has a polarized plug — one blade is wider than the other. To reduce the risk of electric shock, this plug will fit into a polarized outlet only one way. If the plug does not fit fully into the outlet, reverse it. If it still does not fit, contact a qualified electrician. Do not attempt to defeat this safety feature by modifying the plug in any way.

1. Cover with Tabs

2. Steaming Bowl

3. Drip Tray with Flavor Scenter®

4a. Water Reservoir

4b. Fill Marks (inside reservoir)

5. Heater Element

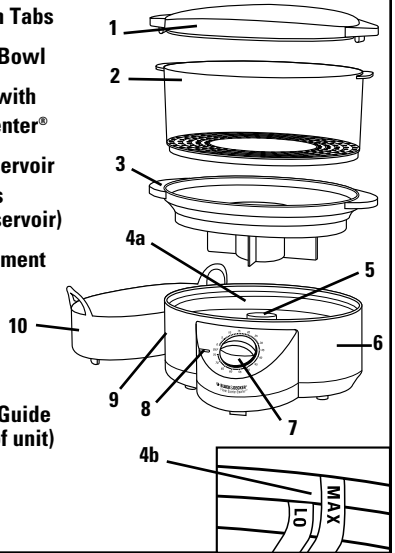
6. Base

7. Timer

8. Light

9. Steaming Guide (on back of unit)

10. Rice Bowl



How To Use

COOKING IN THE STEAMING BOWL

(See Steaming Guide for suggested cooking times, techniques and water fill levels.)

1. Fill the Water Reservoir with cold tap water to the appropriate fill line (LO or MAX FILL – see inset illustration). **IMPORTANT:** Do not exceed the MAX FILL line. Overfilling will prevent “Fast Steam” and increase cooking times.

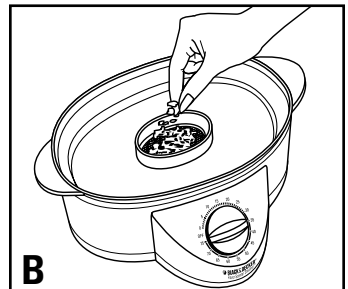
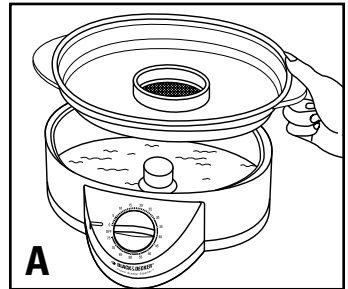
NOTE: For extra flavor, you may add chicken broth or white wine to the water in the Reservoir. Beer, red wine, oil, extracts (i.e. vanilla) or fruit juices are not recommended as they may stain or harm the plastic or heater.

2. Hold the Drip Tray by the handle and place it into the Base. (A)

3. Place herbs or spices in the Flavor Scenter® Screen for added flavor. (B) (See “Flavor Scenter® Tips”). You may use the Drip Tray without adding herbs to the Flavor Scenter® if you prefer.

4. Place food in the Steaming Bowl and cover it so that the Cover handles line up over the Bowl handles and the tabs fit properly into the openings.

5. Put the Steaming Bowl onto the Base, plug in the cord and set the Timer for the desired cooking time, up to 75 minutes. When the time is up, a bell will ring, the cooking Light will go out, and the unit will automatically shut off. Some liquid may remain in the reservoir.

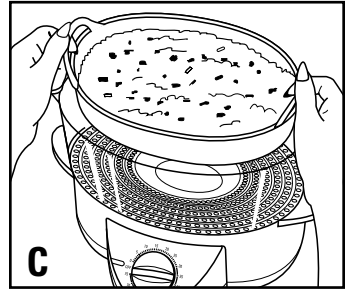


NOTE: If the desired cooking time is less than 15 minutes, first turn the Timer past 15 and then turn it back to the desired cooking time.

6. When cooking in the Rice Bowl, add rice, herbs, seasonings and water directly to the Bowl and fill the Water Reservoir to the appropriate line. Put the Steaming Bowl onto the Base and place the Rice Bowl with contents into the Steaming Bowl. (C)

7. Use pot holders when lifting the Steaming Bowl, Drip Tray, or Rice Bowl by its handles after steaming. Lift the cover AWAY from your face and body to avoid escaping steam.

8. The Rice Bowl can also be used for cooking vegetables or other foods with sauces, poaching chicken or fish in liquids, or reheating foods like casseroles.



NOTE: Use the Drip Tray whenever the Rice Bowl is not used. It prevents fats/juices from dripping into the water and bubbling up into the Steaming Bowl. If you like, save these juices for gravy, sauce, or soup starters.

FLAVOR SCENTER® TIPS

Add fresh or dried herbs to the Flavor Scenter® Screen to spice up healthy foods. Thyme, cilantro, basil, dill, curry, and tarragon are just a few herbs and spices along with garlic, caraway, or horseradish that enhance flavor with no need to add salt.

- Try the suggested flavoring listed in the Steaming Guide or use your favorite herbs to create new combinations.
- Flavor suggestions are for 1/2 to 3 (2.5 ml to 15 ml) teaspoons of dried herbs or spices. If using fresh herbs, chop leaves and triple the amount.
- To prevent small herbs or ground spices from falling through the Flavor Scenter® Screen, rinse or wet the screen before adding seasonings.

Care And Cleaning

CAUTION: Unplug and allow the Steamer to cool before washing.

- **Bowls, Cover, and Drip Tray:** Immerse in hot, sudsy water. Rinse thoroughly. Dry all parts. May be washed in a dishwasher.
- **Water Reservoir: (Interior of Base)** Pour hot, sudsy water into Water Reservoir. Use a non-abrasive plastic brush or mesh scouring pad to clean the interior. Rinse with clean, hot water.
- **Special Care for Heater Element:** After a period of use, the Heater Element surface may discolor or become coated with minerals. When cleaning:
 - Do not cover Base with any Steamer parts.
 - Pour vinegar into the Base to the "MAX" fill line.
 - Plug unit in and turn Timer ON for approximately 20 minutes.
 - Do not allow solution to boil over or spill onto exterior surfaces.
 - When bell sounds and cooking Light goes out, unplug, pour out vinegar solution, rinse with fresh water and use a non-abrasive brush to scrub the Heater Element.
- Over time, the Drip Tray and Base interior may discolor after repeated use of herbs/spices. This is normal.

■ **Exterior of Base:** Wipe Base and cord with a damp cloth, then dry thoroughly. Never immerse Base in liquid or place in dishwasher.

NOTE: Do not use bleach, abrasive pads or abrasive cleaners to clean any part of the Steamer.

Steaming Guide

NOTE: Steaming times will vary depending on desired doneness and quantity of vegetables. You may lengthen/shorten cooking times to suit your taste. The times suggested are total cooking times, starting when the Timer is turned ON.

FRESH VEGETABLES

Weight, as specified for some vegetables in the Guide, is before they are trimmed, peeled, or cleaned. Cut pieces as evenly as possible. Steam foods until just crisp and tender for best flavor and food value.

Fresh Vegetables	Weight/or Number Pieces	Water Fill Line in Base	Suggested Flavorings for Flavor Scenter® (use 1/2 -1 tsp. dried herbs/spices)	Approx. Time (minutes)	Tips and Comments
Artichokes, Whole	5-6, medium	Max	garlic (1-2 cloves) tarragon dill weed	35-38	<ul style="list-style-type: none"> ■ Trim top, tips and bottom so each sits flat. ■ Pull open slightly and soak in water (10 mins.) to clean. ■ Use tongs to remove from Steaming Bowl.
Asparagus, Spears	1 lb. (0.45 kg) (about 3/8" - 1/2" in diameter (10 mm - 13 mm))	Lo	lemon balm bay leaves thyme	12-14	<ul style="list-style-type: none"> ■ Cut off and discard tough portion of spears. ■ For thinner spears, reduce cooking times.
Beans, - Green/Wax cut or whole	1 lb. (0.45 kg)	Lo	caraway seed dill seed savory	14-16 16-20	<ul style="list-style-type: none"> ■ Stir after 10 mins. ■ Yield 4-1/2 cups (1080 ml). ■ Yield about 6 cups (1440 ml) for 1-1/2 lbs. (0.68 kg)
Broccoli - Spears	1 lb. (0.45 kg) 1 1/2 lb. (0.68 kg)	Lo	cilantro crushed red pepper tarragon	13-15 14-16	<ul style="list-style-type: none"> ■ Trim to 5-6" (125 mm - 150 mm) lengths from top of head to stem. Stems should be about 1/2"-3/8" (6 mm - 10 mm) in diameter. ■ Arrange in Steaming Bowl. ■ Yield about 4-1/2 cups (1080 ml). ■ Same as above. ■ Yield about 6 cups (1440 ml).
Brussel Sprouts	1 1/2-2 lb. (0.68 kg - 0.9 kg)	Lo	sage chives rosemary	16-18	<ul style="list-style-type: none"> ■ Trim outer leaves/ stems, as necessary. ■ Cut a shallow "X" across stem end; wash; drain. ■ Arrange in Steaming Bowl. ■ Yield about 4 cups (960 ml).
Cabbage	1 1/2-2 lb. (0.68 kg - 0.9 kg) (about 1/2 of average head)	Lo	caraway seeds celery seed savory	22-25	<ul style="list-style-type: none"> ■ Trim outer leaves/base. ■ Cut into 4 equal wedges, maintaining a section of core with each wedge. ■ Place wedges on side and stagger over steam holes around Bowl. ■ Remove with tongs.

Fresh Vegetables	Weight/or Number Pieces	Water Fill Line in Base	Suggested Flavorings for Flavor Scenter® (use 1/2 - 1 tsp. dried herbs/spices)	Approx. Time (minutes)	Tips and Comments
Carrots	1 lb. (0.45 kg)	Lo	anise mint dill weed	16-19	<ul style="list-style-type: none"> ■ Peel; slice into ¼" (6 mm) rounds. ■ Spread in Steaming Bowl. ■ Stir after 10 mins. ■ Yield about 2 ¼ cups (300 ml).
Cauliflower – whole head	Medium size (about 2 ½ lbs (1.1 kg) untrimmed)	Lo	rosemary basil tarragon	19-21	<ul style="list-style-type: none"> ■ Trim; remove core. ■ Center in Steaming Bowl. ■ Insert 2 forks to lift from Bowl after steaming.
– Flowerets	One-half large size head (about 7 cups) (1680 ml)	Lo		19-21	<ul style="list-style-type: none"> ■ Cut flowerets to about 2" (50 mm) diameter. ■ Layer loosely. ■ Stir after 15 mins. ■ Yield about 6 cups (1440 ml).
Corn on Cob	Up to 5 ears, 8" in length (203 mm)	Lo	mint crushed red pepper cumin	19-23	<ul style="list-style-type: none"> ■ Break whole ears, if necessary. ■ Stagger first layer; crisscross and stagger second layer.
Potatoes, Red – Halved	1 lb. (0.45 kg) about 4 medium 2 lbs. (0.9 kg) about 7-8 medium	Max Max	chervil chives dill weed	35-40 40-45	<ul style="list-style-type: none"> ■ Scrub/wash potatoes; cut in half. ■ Arrange along sides of Steaming Bowl, cut side down in half. ■ Remove with tongs. ■ Prepare and arrange in Steaming Bowl as previously described, staggering second layer on top of first.
Rutabaga	1 large 1½ to 2 lbs. (0.68 kg - 0.9 kg)	Max	nutmeg clove anise	30-32	<ul style="list-style-type: none"> ■ Peel, wash, cut into quarters then into ¼" (6 mm) slices. ■ Arrange in Steaming Bowl; stagger pieces in layers. ■ Stir after 15 and 20 mins. ■ Yield about 5 cups (1200 ml).
Snow Peas (Chinese Pods)	½ lb. (0.23 kg)	Lo	cilantro garlic (1-2 cloves) ginger	8-9	<ul style="list-style-type: none"> ■ Break off ends; remove strings; wash. ■ Spread in Steaming Bowl. ■ Stir after 6 mins. ■ Yield about 2 cups (480 ml).
Spinach	1 lb. (0.45 kg)	Lo	chervil thyme garlic (1-2 cloves)	14-16	<ul style="list-style-type: none"> ■ Remove stems; wash then drain leaves for 1-2 mins. ■ Pack into Steaming Bowl until almost heaping full. ■ Stir after 7 and 10 mins.; use a long handled fork to bring wilted leaves from bottom of Bowl. ■ Yield about 3 cups (720 ml).
Squash – Summer Yellow and Zucchini	1 lb. (0.45 kg) medium size	Lo	basil rosemary oregano	12-14	<ul style="list-style-type: none"> ■ Trim; wash. ■ Cut into ¼" (6 mm) slices. ■ Stir after 7 mins. ■ Yield about 3 cups (720 ml).
Turnips	1 lb. (0.45 kg) (about 5-6 small)	Lo	caraway basil parsley	14-16	<ul style="list-style-type: none"> ■ Peel; wash. Cut into ¾" (6 mm) slices. ■ Arrange in Steaming Bowl; stagger pieces in layers. ■ Stir after 9 mins. ■ Yield about 2½ cups (600 ml).

FROZEN VEGETABLES

Times given are for amount specified. DO NOT THAW before steaming.

Frozen Vegetables	Weight/or Number Pieces	Water Fill Line in Base	Suggested Flavorings for Flavor Scenter® (use 1/2 -1 tsp. dried herbs/spices)	Approx. Time (minutes)	Tips and Comments
Asparagus, – Spears	2 pkgs. (9-10 ozs. each) (280 g)	Lo	lemon balm bay leaves thyme	19-21	■ Separate using fork after 10 and 15 mins.
Beans, – Green/wax cut or whole	1 bag (16 ozs.) (455 g)	Lo	caraway seed dill seed savory	18-20	■ Stir after 10 mins.
Broccoli – Chopped	1 bag (16 ozs.) (455 g)	Lo	garlic (1-2 cloves) crushed red pepper tarragon	15-17	■ Stir after 10 mins.
Cauliflower	1 bag (20 ozs.) (560 g)	Lo	rosemary basil tarragon	18-20	■ Stir after 10 and 15 mins.
Corn – Cut	1 bag (16 ozs.) (455 g)	Lo	cayenne cilantro chives	14-16	■ Stir after 7 mins.
Mixed Vegetables	1 bag (25 ozs.) (700 g)	Lo	oregano dry mustard savory	23-25	■ Stir after 10 and 15 mins.
Peas – Green	1 bag (16 ozs.) (455 g)	Lo	basil marjoram mint	14-16	■ Stir after 10 mins.
Spinach – Chopped	2 pkgs. (10 ozs. each) (280 g)	Lo	chervil thyme garlic (1-2 cloves)	22-24	■ Separate/stir with fork after 20 mins.

SEAFOOD AND FISH

Steaming times provided are for fresh, or frozen and thawed seafood and fish.

Type of Seafood, Fish	Weight/or Number Pieces	Water Fill Line in Base	Suggested Flavorings for Flavor Scenter® (use 1-3 tsp. dried herbs/spices)	Approx. Time (minutes)	Tips and Comments
Clams – Littlenecks Cherrystones (fresh)	1 dozen in shell (up to 2" across) (50 mm)	Lo	horseradish ginger poultry seasoning	12-17	■ Clean, soak shells. ■ Stagger shells that are layered. ■ Cook until shells are well opened. ■ Use tongs to remove.
– Steamers Longnecks (fresh)	2 dozen in shell (up to 2½" across) (70 mm)	Lo	cayenne minced onion flakes fennel seeds	9-20	■ When steaming larger littleneck or cherrystone clams (up to 2¾" (70 mm) across), add ½ (120 ml) cup water to base if steam stops before shells open.
Crab, King Crab Legs/Claws (Cooked, frozen and thawed)	Up to 2 lbs. (0.9 kg)	Lo	lemon balm marjoram horseradish	18-22	■ Have legs cut to fit Bowl, about 9" (230 mm) in length. ■ Steam until hot.
Scallops (fresh)					
– Bay	1 lb., (0.45 kg) shucked	Lo	tarragon parsley coriander seeds grated lemon peel nutmeg	14-15	■ Arrange in single layer, over steam holes; larger quantity must be layered.
– Sea	1 lb., (0.45 kg) shucked (up to 1" (25 mm) thick)	Lo	minced garlic, 2 cloves	15-17	■ Larger scallops and/or larger amount may take maximum time. ■ Stir after 7 and 10 mins. ■ Steam until opaque.

Type of Seafood, Fish	Weight/or Number Pieces	Water Fill Line in Base	Suggested Flavorings for Flavor Scenter® (use 1-3 tsp. dried herbs/spices)	Approx. Time (minutes)	Tips and Comments
Shrimp (Fresh, or frozen and thawed)	Large (1 lb. (0.45 kg) in shell)	Lo	seafood seasoning mix grated lemon rind horseradish	16-18	<ul style="list-style-type: none"> ■ Stagger shrimp that are layered. ■ Stir after 7 and 10 mins. ■ Steam until shells are reddish and flesh is opaque. ■ For 1½ lb. (0.68 kg), stir after 10 mins.
	Large (1½ lb. (0.68 kg) in shell)	Lo		15-17	
Fish Fillets (Fresh, or frozen and thawed) – Sole – Flounder – Other favorite fillets	¾lb. (0.44 kg) (¼" to ½" (6 - 13 mm) thick)	Lo	dry mustard allspice marjoram	12-14	<ul style="list-style-type: none"> ■ Spray bottom of Steaming Bowl with non-stick cooking spray before adding fillets for easier removal and easier cleaning. ■ Place largest pieces in single layer; stagger smaller pieces on top. ■ Steam until opaque and flesh flakes easily. ■ Gently remove with spatula.
Steaks (Fresh, or frozen and thawed) – Salmon – Swordfish and – Tuna	1 to 1 ½ lbs. (0.45 kg - 0.68 kg)				<ul style="list-style-type: none"> ■ Spray bottom of Steaming Bowl with non-stick cooking spray before adding steaks for easier removal and easier cleaning. ■ Arrange in single layer in Steaming Bowl. ■ Steam until opaque and flesh flakes easily; check next to bone for doneness, or in thickest area. ■ If steam stops before timer rings, add ½ cup (120 ml) water to Base watch to avoid overcooking. ■ Carefully remove from Steaming Bowl using a spatula. ■ Experiment with other varieties. Follow basic procedure for fish steaks.
	3 steaks (¾" - 1" (20 - 25 mm) thick)	Lo	dill weed tarragon lemon balm	20-22	
	1-2 steaks (¾" - 1" (20 - 25 mm) thick)	Lo	grated lemon rind grated orange rind dry mustard	22-25	
	1-2 steaks (¾" - 1" (20 - 25 mm) thick)	Lo	curry nutmeg chives	21-23	

CHICKEN, FRANKFURTERS

Chicken, Frankfurters	Weight/or Number Pieces	Water Fill Line in Base	Suggested Flavorings for Flavor Scenter® (use 2-3 tsp. dried herbs/spices)	Approx. Time (minutes)	Tips and Comments
Chicken (trim fat; remove skin.) – Breast boneless fillets – Breast, split with bone	1-1 ¼ lbs. (0.45 - 0.55 kg) (4 large pieces)	Lo	curry rosemary thyme	19-21	<ul style="list-style-type: none"> ■ For all, steam until juices run clear and flesh is white in thickest area or next to any bone. ■ Place in single layer; stagger smallest piece on top. ■ Place in single layer, flesh side down, with thickest part toward sides of Steaming Bowl. ■ Same as above.
	1-1½ lbs. (0.45 - 0.55 kg) (2 pieces)	Max	poultry seasoning savory nutmeg	38-42	
	1¾ - 2lbs. (0.7 - 0.9 kg) (4 pieces)	Max	mace paprika tarragon	47-51	
Frankfurters, Up to 7"; piece with fork to reduce splitting	1 lb. (0.45 kg) (10)	Lo	mustard seed fennel	15-17	<ul style="list-style-type: none"> ■ For 1 lb.(0.45 kg) , place in single layers ■ For 2 lbs.(0.9 kg), make 2 layers, criss-crossing and staggering franks.
	2 lbs. (0.9 kg) (20)	Lo	dried onion flakes chili powder anise	20-22	

RICE

Accurately measure the rice and water and combine in the Rice Bowl. Stir rice at minimum time specified for each type. For flavored rice, substitute beef or chicken broth, or bouillon for the specified amount of water. Add salt, pepper, seasonings, butter or margarine. After steaming, toss with chopped onion, parsley or mushrooms.

(NOTE: Do not use the Flavor Scenter® Screen/Drip Tray when making rice. Use the Rice Bowl.)

Rice	Amt Rice in Rice Bowl	Amt Water Added to Rice Bowl	Water Fill Line in Base	Approx. Time (minutes)	Tips and Comments
Brown – Regular, Long or Short Grain	1 cup (240 ml)	1 1/4 cups (300 ml)	Max	54-56	■ Makes about 3 cups (720 ml).
	1 1/2 cup (360 ml)	2 cups (480 ml)	Max	63-65	■ Makes about 4 1/2 cups (1080 ml).
	2 cups (480 ml)	2 1/2 cups (600 ml)	Max	62-65	■ Makes about 6 1/2 cups (1560 ml).
White – Regular, Extra Long, Long and Med. Grain	1 cup (240 ml)	1 1/2 cups (360 ml)	Max	37-40	■ Makes about 3 1/2 cups (840 ml)
	1 1/2 cups (360 ml)	2 cups (480 ml)	Max	45-48	■ Makes about 5 cups (1200 ml).
	2 cups (480 ml)	2 1/2 cups (600 ml)	Max	48-51	■ Makes about 6 1/2 to 7 cups (1560 ml-1680 ml)
Parboiled White – Regular, Long Grain	1 cup (240 ml)	1 1/2 cups (360 ml)	Max	45-47	■ Makes about 3 1/2 cups (840 ml).
	1 1/2 cups (360 ml)	2 cups (480 ml)	Max	49-51	■ Makes about 5 cups (1200 ml).
	2 cups (480 ml)	2 1/2 cups (600 ml)	Max	58-60	■ Makes about 7 cups (1680 ml).

OTHER FOODS

Other Foods	Weight/or Number Pieces	Water Fill Line in Base	Suggested Flavorings for Flavor Scenter® (use 1/2 -1 tsp. dried herbs/spices)	Approx. Time (minutes)	Tips and Comments
Eggs, Large size, – Hard Cooked	Up to 12	Max	None recommended. (Flavor does not penetrate shell.)	35	■ Place eggs over or close to steam holes.
Apples – Favorite type	5 medium (about 2 lbs.) (0.9 kg)	Lo	cloves anise cinnamon	11-13	■ Peel, core, cut into 1/8" (6 mm) slices. ■ Spread in Steaming Bowl. ■ Gently stir after 10 mins. ■ Add 1/2 cup (60 ml) raisins, if desired. ■ Makes about 3 1/2 (840 ml) cups.
Pears	4 medium (about 2 lbs.) (0.9 kg)	Lo	sliced ginger anise allspice	23-26	■ Peel, core, cut into quarters. Let soak in water (4 cups/960 ml) and lemon juice (1/2 cup/60 ml) mixture to prevent browning (10 mins.). ■ Drain and spread in Bowl. ■ Gently stir after 10 mins. ■ Transfer to Rice Bowl or serving dish; pour juice from Drip Tray over fruit. ■ Makes about 3 1/2 (840 ml) cups.
Prunes	1 1/2 lb. pkg. (0.68 kg)	Lo	fresh citrus peel cardamom cinnamon	15-20	■ Spread in Steaming Bowl. ■ Makes about 4 cups (960 ml).

Need Help?

SERVICE OR REPAIR

Service, if necessary, must be performed by a Black & Decker Company-Owned or Authorized Household Appliance Service Center. The Service Center nearest you can be found in the yellow pages of your phone book under "Appliances - Small - Repairing," or by calling the appropriate toll-free number on the cover of this book.

If mailing or shipping your unit, pack it carefully in a sturdy carton with enough packing material to prevent damage. Include a note describing the problem to our Service Center and be sure to give your return address and phone number. We also suggest that you insure the package for your protection.

FULL ONE-YEAR WARRANTY

Household Products, Inc. warrants this product against any defects that are due to faulty material or workmanship for a one-year period after the original date of consumer purchase or receipt as a gift. This warranty does not include damage to the product resulting from accident or misuse. If the product should become defective within the warranty period, we will repair it or elect to replace it free of charge. We will return your product, transportation charges prepaid, provided it is delivered prepaid to any Black & Decker Company-Owned or Authorized Household Appliance Service Center.

This warranty gives you specific legal rights and you may also have other rights which vary from state to state or province to province. Answers to any questions regarding warranty or service locations may be obtained by calling Consumer Assistance and Information toll free: 1-800-231-9786.

INSTRUCCIONES DE SEGURIDAD

Quando se usan aparatos electrónicos deben tomarse algunas precauciones incluyendo las siguientes:

- **Por favor lea todas las instrucciones.**
- No toque las superficies calientes; use las asas o las perillas. Para evitar las quemaduras de vapor, utilice agarraderas de cocina para retirar la tapa o cuando toque recipientes calientes.
- Para evitar el riesgo de un choque eléctrico, no sumerja el cable, el enchufe, ni la base en agua o cualquier otro líquido.
- La supervisión de un adulto es necesaria cuando el aparato sea usado cerca de o por un niño.
- Desconecte del tomacorriente cuando no esté en uso, y antes de limpiarla. Permita que se enfríe antes de ponerle o quitarle partes y antes de limpiarla.

- No opere ningún aparato si el cable y/o el enchufe han sido dañados. Si el aparato no funciona o ha sufrido algún daño, devuélvalo a un centro de servicio autorizado para que lo examinen, reparen o ajusten.
- El uso de accesorios no recomendados por el fabricante del aparato puede causar lesiones personales.
- No use el aparato a la intemperie.
- No permita que el cable cuelgue del borde de la mesa o del mostrador o tenga contacto con superficies calientes.
- No coloque sobre ni cerca de las hornillas de gas o eléctricas, dentro de los hornos convencionales o de microondas, ni debajo de los gabinetes.
- Tenga mucho cuidado al mover unidades que contengan alimentos, agua o cualquier otro líquido caliente. Evite alcanzar sobre la vaporizadora cuando esté en funcionamiento.
- No utilice esta unidad más que para lo que ha sido diseñada.
- No opere en presencia de gases explosivos y/o inflamables.
- Alce y abra la tapa con cuidado para evitar las quemaduras; permita que el agua gotee dentro de la vaporizadora.
- Este producto ha sido diseñado solamente para uso doméstico y no para uso industrial o comercial.

CONSERVE ESTAS INSTRUCCIONES

EL CABLE ELECTRICO

La longitud del cable eléctrico de este aparato se ha seleccionado para reducir el peligro que puede ocasionar un cable más largo. De ser necesario un cable más largo, debe emplear una extensión que tenga un enchufe polarizado y debe estar calificada para no menos de 10 amperes y 120 volts, y esté enlistada por UL, CUL, o CSA. Puede comprar una extensión adecuada en los centros de servicio autorizado Black & Decker. Para mayor duración, maneje el cable con cuidado.

TORNILLO DE SEGURIDAD

Esta unidad está equipada con un tornillo de seguridad para prevenir que se le remueva la cubierta de afuera. Para reducir el riesgo de incendio o choque eléctrico, por ningún punto intente quitar esta cubierta. La unidad no contiene partes reparables por dentro. Cualquier reparación deberá ser llevada a cabo únicamente por personal de servicio autorizado.

ENCHUFE POLARIZADO

Se emplean enchufes polarizados (con una pata más ancha que la otra) para reducir los riesgos de choque eléctrico. Cuando el cable tiene este tipo de enchufe, se ajusta únicamente a un contacto polarizado. Si el enchufe no se ajusta en su contacto, inviértalo. Si aún así no se ajusta, busque la ayuda de un electricista calificado para que instale un contacto polarizado apropiado. Por ningún punto trate de modificar o hacerle cambios al enchufe.



Como usar

PARA COCINAR EN EL RECIPIENTE VAPORIZADOR

(Consulte la guía para vaporizar, le dará consejos para la cantidad de tiempo, técnica y nivel de agua.)

1. Llene el depósito con agua fría al nivel apropiado “LO” (bajo) o “MAX FILL” (llenado máximo), consulte las figuras. **IMPORTANTE:** No exceda el nivel máximo de llenado, esto previene que los alimentos se vaporicen rápidamente y aumenta el tiempo de cocción.

NOTA: Para acentuar el sabor, agregue consomé o vino blanco al depósito del agua. **No se recomienda el uso de cerveza, vino tinto, extractos (ej., vainilla), ni jugos en el recipiente ya que pueden manchar o dañar el plástico o el calentador.**

2. Sujete el colector por la asa y colóquelo sobre la base. (A)

3. Coloque las hierbas o las especias dentro del infusor para acentuar el sabor. (B) (consulte “Consejos para usar el infusor”). Si no lo desea, no es necesario agregar hierbas al infusor.

4. Coloque los alimentos en el recipiente vaporizador y ponga la tapa de modo que las asas queden alineadas y las guías se ajusten a las ranuras.

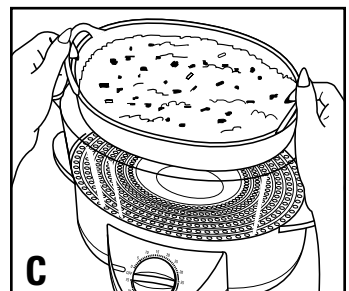
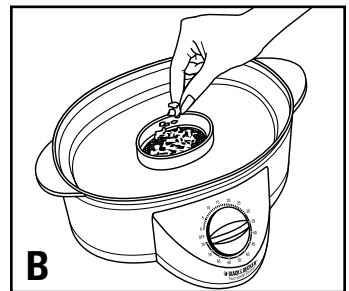
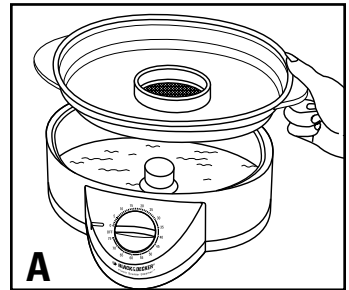
5. Coloque el recipiente vaporizador dentro de la base, conecte el cable y ajuste el control al tiempo deseado; marca hasta 75 minutos. Sonará una campana y se apagará la luz para indicar que el ciclo ha terminado. La unidad se apaga automáticamente. Posiblemente quede un poco de agua en el depósito.

NOTA: Si el tiempo deseado para cocinar es menos de 15 minutos, ajuste el control pasados los 15 minutos y después a la cantidad de tiempo deseada.

6. Cuando prepare alimentos en la arrocera, agregue hierbas, condimentos y agua directamente dentro del recipiente, y llene el depósito del agua hasta el nivel apropiado. Coloque el recipiente vaporizador dentro de la base y la arrocera con sus contenidos dentro del vaporizador. (C)

7. Después de preparar alimentos al vapor, siempre utilice agarraderas de cocina para sujetar los recipientes de la vaporizadora. Alce la tapa y mantenga la cara y el cuerpo ALEJADOS del vapor.

8. La arrocera también puede ser utilizada para cocinar vegetales u otros alimentos con salsas, para guisar pollo o pescado con caldo, o para recalentar alimentos ya preparados como las cacerolas.



NOTA: Use el colector cuando no use la arrocera. Esto previene que la grasa y los jugos goteen dentro del agua formando burbujas en el vaporizador. Si lo desea, puede conservar estos jugos para preparar salsas o para agregarlos a las sopas.

CONSEJOS PARA EL INFUSOR DE SABORES

Agregue hierbas frescas o secas al infusor para acentuar el sabor de sus comidas saludables. El tomillo, cilantro, albahaca, eneldo, curry, y la artemisa son únicamente algunas de las hierbas y las especias junto con el ajo, la alcaravea, y el rábano picante que acentúan los sabores sin tener que agregar sal. Cuando use el infusor:

- Puede consultar las sugerencias en la guía para vaporizar o crear nuevas combinaciones.
- Hemos basado nuestras sugerencias de sabores en medidas de 1/2 a 3 cdtas. (2.5 ml a 15 ml) de especias y hierbas secas. Si usa hierbas frescas, triplique las cantidades.
- Para prevenir que se filtren partículas pequeñas por el infusor, moje la maya antes de agregar los condimentos.

Cuidado y limpieza

PRECAUCION: Desconecte y permita que la vaporizadora se enfríe antes de hacer cualquier limpieza.

- **Los recipientes, la tapa y el colector:** Sumerja en agua caliente y detergente. Enjuáguelos y séquelos. Pueden lavarse en la máquina lavaplatos.
- **El depósito para el agua: (interior de la base),** vierta agua caliente con detergente. Utilice un cepillo o un limpiador de fibras plásticas; no abrasivas. Enjuague con agua caliente.
- **Cuidado especial para la resistencia de calor:** Después de varios usos, la resistencia de calor puede descolorarse. Al limpiarla:
 - No cubra la base con ningún otro accesorio.
 - Vierta vinagre dentro de la base hasta el nivel "MAX" (lleno).
 - Conecte la unidad y ajuste el control de tiempo a 20 minutos.
 - No permita que la solución hierva y se derrame sobre la unidad.
 - Cuando suene la campana y se apague la luz, vierta la solución de viangre y enjuague con agua. No utilice fibras abrasivas para limpiar la resistencia de calor.
- Es normal que con el tiempo, y con el repetido uso de hierbas y especias, el colector y la base se descoloren.
- **Exterior de la base:** Limpie la base y el cable con un paño húmedo y séquela bien. Nunca sumerja la base en agua ni la coloque dentro de la máquina lavaplatos.

NOTA: No use blanqueadores, limpiadores, ni fibras abrasivas para limpiar las partes de la vaporizadora.

Guía para vaporizar

NOTA: El tiempo para vaporizar puede variar de acuerdo con su gusto y con las cantidades. La cantidad de tiempo sugerida a continuación ha sido basada desde el momento que se ajusta el control de tiempo a la posición para comenzar (ON).

VEGETALES FRESCOS

El peso que se ha especificado en la guía, es el de los vegetales antes de haber sido lavados, pelados o cortados. Corte las porciones de un mismo tamaño si es posible. Para un mejor sabor y una mejor calidad alimenticia, vaporice los alimentos permitiendo que queden de una textura fresca.

Vegetales frescos	Peso/cantidad	Nivel del agua	Sugerencias de sabores para el infusor (use 1/2 cdt. de hierbas/especies secas)	Tiempo (apr. en minutos)	Consejos
Alcachofas, y el tallo. enteras	5-6 medianas (0.45 kg)	Máximo	ajo (1-2 dientes) artemisa eneldo	35-38	<ul style="list-style-type: none"> ■ Corte las puntas ■ Sumerja en agua para limpiarlas (10 minutos). ■ Utilice tenazas para sacarlas del vapor.
Espárragos	1 lb.1 (de 3/8" a 1/2" en diámetro (10 mm - 13 mm))	Bajo	bálsamo de limón laurel tomillo	12-14	<ul style="list-style-type: none"> ■ Corte la parte gruesa del tallo. ■ Los tallos delgados requieren menos tiempo.
Habichuelas verdes	1 lb. (0.45 kg) 1 1/2 lbs. (0.68 kg)	Bajo	semilla de alcaravea eneldo ajedrea	14-16 16-20	<ul style="list-style-type: none"> ■ Remueva después de 10 minutos. ■ Proporciona 4 1/2 tazas (1080 ml). ■ Proporciona 6 tazas (1440 ml) por cada 1 1/2 lbs. (0.68 kg)
Tallos de Brócoli	1 lb. (0.45 kg) 1 1/2 lbs. (0.68 kg)	Bajo	cilantro semilla de chile picante artemisa	13-15 14-16	<ul style="list-style-type: none"> ■ Recorte el tallo para que el brócoli mida 5-6" (125 mm - 150 mm). Los tallos deben tener de 1/4" a 3/8" (6 mm - 10 mm) en diámetro ■ Colóquelos en el recipiente vaporizador. ■ Proporciona 4 1/2 tazas (1080 ml). ■ Igual que lo anterior. ■ Proporciona 6 tazas (1440 ml).
Col de Bruselas	1 1/2-2 lbs. (0.68 - 0.9 kg)	Bajo	salvia cebollino romero	16-18	<ul style="list-style-type: none"> ■ Recorte las hojas/tallos ■ Corte una "X" en el tallo y enjuáguelas. ■ Coloque en el vaporizador. ■ Proporciona 4 tazas (960 ml).
Repollo	1 1/2-2 lbs. (0.68 kg - 0.9 kg)	Bajo	semilla de alcaravea semilla de apio ajedrea	22-25	<ul style="list-style-type: none"> ■ Recorte las hojas de afuera. ■ Corte en 4 partes con un pedazo del tallo en cada una ■ Coloque los pedazos de lado. ■ Utilice tenazas.

Vegetales frescos	Peso/cantidad	Nivel del agua	Sugerencias de sabores para el infusor(use 1/2 cdta. de hierbas/especies secas	Tiempo` (apr. en minutos)	Consejos
Zanahorias	1 lb. (0.45 kg)	Bajo	anís yerbabuena eneldo	16-19	<ul style="list-style-type: none"> ■ Pele y corte en rodajas de 1/4" (6mm). ■ Coloque en el vaporizador. ■ Remueva a los 10 minutos ■ Proporciona 2 1/4 tazas (300 ml)
Coliflor -completa	Mediana de 2 1/2 lbs. (1.1 kg)	Bajo	romero albahaca alcaravea	19-21	<ul style="list-style-type: none"> ■ Recorte; quite el tallo ■ Coloque en el centro del recipiente vaporizador. ■ Alce con 2 tenedores después de vaporizar.
-Flor	Media cabeza grande(7 tazas) (1680 ml)	Bajo		19-21	<ul style="list-style-type: none"> ■ Corte la flor en pedazos de 2" (50 mm) en diámetro. ■ Distribuya sueltamente ■ Remueva a los 15 minutos ■ Proporciona 6 tazas (1440 ml)
Mazorcas de maíz	Hasta 5 de 8" (203 mm)	Bajo	yerbabuena eneldo comino	19-23	<ul style="list-style-type: none"> ■ Corte si es necesario. ■ Coloque alternándolas
Papas -Por mitad	1 lb. (0.45 kg) 4 medianas	Máximo	perifollo cebollino eneldo	35-40	<ul style="list-style-type: none"> ■ Restregue/lave, parta por mitad ■ Colóquelas hacia la orilla del recipiente, con la parte cortada hacia abajo. ■ Retire con tenazas ■ Prepare de acuerdo con las indicaciones previas.
	2 lbs. (0.9 kg)	Máximo		40-45	
Rutabaga	1 grande 1 1/2-2 lbs. (0.68 kg - 0.9 kg)	Máximo	nuez moscada clavo de olor anís	30-32	<ul style="list-style-type: none"> ■ Pele, lave, rodaje en 1/4" (6mm). ■ Distribuya en capas ■ Remueva después de 15-20 minutos. ■ Proporciona de 5 tazas (1200 ml)
Vainas Chinas	1/2 lb. (0.23 kg)	Bajo	cilantro 2 dientes de ajo gengibre	8-9	<ul style="list-style-type: none"> ■ Corte las puntas; quite las venas y lave. ■ Distribuya en el recipiente. ■ Remueva a los 6 minutos. ■ Proporciona 2 tazas (480 ml)
Espinaca	1 lb. (0.45 kg)	Bajo	perifollo tomillo 2 dientes de ajo	14-16	<ul style="list-style-type: none"> ■ Corte el tallo; lave y remoje las hojas por 1-2 minutos ■ Acomode en el recipient hasta quedar casi lleno. ■ Remueva con un tenedor después de 7-10 minutos. ■ Proporciona 3 tazas (720 ml).
Calabaza - Amarilla y zucchini	1 lb. (0.45 kg) mediana	Bajo	eneldo romero orégano	12-14	<ul style="list-style-type: none"> ■ Recorte; lave ■ Corte en rodajas de 1/4". ■ Remueva a los 7 minutos. ■ Proporciona de 3 tazas (720 ml).
Nabos	1 lb. (0.45 kg) (5-6 pequeños)	Bajo	semilla de alcaravea eneldo perejil	14-18	<ul style="list-style-type: none"> ■ Pele; lave, y corte en pedazos de 1/4" (6 mm). ■ Acomode en capas ■ Remueva a los 9 minutos ■ Proporciona 2 1/2 tazas (600 ml)

VEGETALES CONGELADOS

La cantidad de tiempo sugerida es para los paquetes o las bolsas especificadas. NO DESCONGELE antes de preparar al vapor.

Vegetales congelados	Peso/cantidad	Nivel del agua	Sugerencias de sabores para el infusor (use de 1/2 a 1 cdta. hierbas/especies secas)	Tiempo apr. en (minutos)	Consejos
Espárragos	2 paquetes (9-10 onz. cada uno) (280 g)	Bajo	bálsamo de limón hojas de laurel tomillo	19-21	■ Separe con un tenedor después de 10 a 15 minutos.
Habichuelas - verdes enteras/partidos	1 bolsa (16 onz.) (455 g)	Bajo	semilla de alcaravea eneldo ajedrea	18-20	■ Remueva a los 10 minutos.
Brócoli -Picado	1 bolsa (16 onz.) (455 g)	Bajo	1-2 dientes de ajo semilla de ají picante artemisa	15-17	■ Remueva a los 10 minutos.
Coliflor	1 bolsa (20 onz.) (560 g)	Bajo	romero eneldo artemisa	18-20	■ Remueva a los 10-15 minutos.
Maíz - cortado	1 bolsa (16 onz.) (455 g)	Bajo	cayena cilantro cebollino	14-16	■ Remueva a los 7 minutos.
Vegetales mixtos	1 bolsa (25 onz.) (700 g)	Bajo	orégano mostaza seca ajedrea	23-25	■ Remueva a los 10-15 minutos.
Guisantes verdes	1 bolsa (16 onz.) (455 g)	Bajo	eneldo mejorana yerbabuena	14-16	■ Remueva a los 10 minutos.
Espinaca	2 paquetes (10 onz. cada uno) (280 g)	Bajo	perifollo tomillo 1-2 dientes de ajo	22-24	■ Separe con un tenedor/remueva después de 20 minutos.

MARISCOS Y PESCADO

La cantidad de tiempo sugerida es para vaporizar pescado o mariscos frescos o congelados.

Tipo de mariscos o pescado	Peso/cantidad	Nivel del agua	Sugerencias de sabores para el infusor (use de 1/3 de cdta. hierbas/especies secas)	Tiempo apr. en (minutos)	Consejos
Almejas (frescas, pequeñas)	1 docena en la concha (2" de anchas) (50 mm)	Bajo	rábano picante gengibre sazón para pollo	12-17	<ul style="list-style-type: none"> ■ Límpielas y remoje ■ Distribuya en capas ■ Cocine hasta que se abran las conchas. ■ Utilice tenazas para sacarlas. ■ Cuando vaporice almejas pequeñas, agregue 1/2 taza (120 ml) de agua a la base hasta que se abran.
(frescas, grandes)	2 docenas en la concha (2 3/4" de anchas) (70 mm)	Bajo	cayena cebolla deshidratada semillas de hinojo	9-20	

Tipo de mariscos o pescado	Peso/cantidad	Nivel del agua	Sugerencias de sabores para el infusor (use de 1/3 de cda. hierbas/ especies secas)	Tiempo apr. en (minutos)	Consejos
Cangrejo tipo King patas/tenazas cocinadas o descongeladas	Hasta 2 lbs. (0.9 kg)	Bajo	bálsamo de limón mejorana rábano picante	18-22	<ul style="list-style-type: none"> ■ Corte las patas para que se ajusten en el recipiente, apr. 9" 230 mm). ■ Vaporice hasta que estén calientes.
Escalopes (frescos)	1 lb. sin concha (0.45 kg)	Bajo	artemisa perejil semilla de cilantro cáscara de limón nuez moscada 2 dientes de ajo picados	14-15	<ul style="list-style-type: none"> ■ Coloque sobre los orificios de la vaporizadora.
agua fresca				15-17	<ul style="list-style-type: none"> ■ Los escalopes grandes toman el tiempo máximo. ■ Remueva después de 7 a 10 minutos.
agua salada	1 lb. (0.45 kg) sin concha (1" (25 mm) de gruesos)	Bajo			<ul style="list-style-type: none"> ■ Vaporice hasta que estén opacos.
Camarones (frescos o descongelados)	Grandes (1 lb. (0.45 kg) con la concha)	Bajo	sazón para mariscos ralladura de limón rábano picante	16-18	<ul style="list-style-type: none"> ■ Distribuya en capas. ■ Remueva después de 7 minutos. ■ Cocine hasta que la concha esté rojiza.
(0.68 kg) con la concha)	Grandes (1 1/2)	Bajo		15-17	<ul style="list-style-type: none"> ■ Para 1 1/2 lbs., (0.68 kg) remueva después de 10 minutos.
Filetes de pescado (fresco o descongelado)	3/4 de lb. (0.44 kg) (1/4"-1/2 de gruesos) (6-13 mm)	Bajo	mostaza seca pimienta inglesa mejorana	12-14	<ul style="list-style-type: none"> ■ Antes de colocar los filetes, rocíe el fondo del recipiente con un poco de aceite. Así será más fácil sacar el pescado y limpiar el recipiente. ■ Coloque los filetes en una capa y alterne los pequeños encima. ■ Vaporice hasta que estén de color opaco y pueda separarlos con facilidad. ■ Retire con una espátula.
-Suela					
-Lenguado					
-Sus filetes favoritos					
Steaks de Pescado (fresco o descongelado)	1 a 1/2 lbs. (0.45 kg - 0.68 kg)	Bajo			<ul style="list-style-type: none"> ■ Antes de colocar los filetes, rocíe el fondo del recipiente con un poco de aceite. Así será más fácil sacar el pescado y limpiar el recipiente. ■ Coloque una capa en el recipiente. ■ Vaporice hasta que estén de color opaco y pueda separarlos con facilidad.
-Salmón	3 steaks de (3/4 a 1" de gruesos) (20-25 mm)	Bajo	eneldo artemisa bálsamo de limón ralladura de limón ralladura de naranja mostaza seca curry nuez moscada cebollino	20-22	<ul style="list-style-type: none"> ■ Si para el vapor antes de sonar la campana, agregue 1/2 (120 ml) taza de agua para que no se sobrecocine.
-Dorado	1-2 steaks (3/4 a 1" de gruesos) (20-25 mm)	Bajo		22-25	
Tuna	1-2 steaks (3/4" a 1 de gruesos) (20-25 mm)	Bajo		21-23	<ul style="list-style-type: none"> ■ Saque del recipiente con una espátula. ■ Experimente con otras variedades de pescado y siga los pasos anteriores

POLLO, SALCHICHAS

Pollo Salchichas	Peso/cantidad	Nivel del agua	Sugerencias de sabores para el infusor (use de 2 a 3 cdtas. hierbas/especies secas)	Tiempo (apr. en minutos)	Consejos
Pollo (elimine la grasa y quite la piel) -Filete de pechuga sin hueso	4 porciones (1-1 1/4 lbs.) (0.45-0.55 kg)	Bajo	curry romero tomillo	19-21	<ul style="list-style-type: none"> ■ Vaporice hasta que los jugos no tengan color y la carne esté blanca. ■ Coloque una capa; los pedazos pequeños encima.
-Filete con hueso	2 porciones (1-1 1/4 lbs.) (0.45-0.55 kg)	Máximo	sazón para pollo ajedrea nuez moscada	38-42	<ul style="list-style-type: none"> ■ Coloque los pedazos con la carne hacia abajo.
	4 porciones (1 3/4 a 2 lbs.) (0.7-0.9 kg)	Máximo	macia paprika artemisa	47-51	<ul style="list-style-type: none"> ■ Repita el procedimiento anterior.
Salchichas Hasta de 7" pinche con un tenedor	1 lb. (10) (0.45 kg)	Bajo	semilla de	15-17	<ul style="list-style-type: none"> ■ Para 1 libra (0.45 kg), coloque en una capa. ■ Para 2 libras (0.9 kg), coloque en 2 capas cruzadas.
	2 lbs. (20) (0.9 kg)	Bajo	mostaza hinojo cebolla deshidratada alcaravea ají en polvo anís	20-22	

ARROZ

Mida con cuidado el arroz y el agua y combínelos en la arrocera. Remueva el arroz cuando el control indique la cantidad mínima de tiempo sugerida a continuación. Para el arroz sazonado, substituya el caldo de res o de pollo, o el consomé por agua. Agregue sal, pimienta, sazón, mantequilla o margarina. Después de cocinar al vapor, mezcle con cebolla, perejil u hongos.

Arroz	Cantidad de arroz en el recipiente	Cantidad de agua agregada la arrocera	Nivel del agua	Tiempo minutos	Consejos apr. en
Integral - Grano corriente, largo o corto	1 taza (240 ml)	1 1/4 tazas (300 ml)	Máximo	54-56	<ul style="list-style-type: none"> ■ Prepara apr. 3 tazas (720 ml)
	1 1/2 taza (360 ml)	2 tazas (480 ml)	Máximo	63-65	<ul style="list-style-type: none"> ■ Prepara apr. 4 1/2 tazas (1080 ml)
	2 tazas (480 ml)	2 1/2 tazas (600 ml)	Máximo	62-65	<ul style="list-style-type: none"> ■ Prepara apr. 6 1/2 tazas (1560 ml)
Blanco - Grano corriente, extra largo	1 taza (240 ml)	1 1/2 tazas (360 ml)	Máximo	37-40	<ul style="list-style-type: none"> ■ Prepara apr. 3 1/2 tazas (840 ml)
largo y mediano	1 1/2 taza (360 ml)	2 tazas (480 ml)	Máximo	45-48	<ul style="list-style-type: none"> ■ Prepara apr. 5 tazas (1200 ml)
	2 tazas (480 ml)	2 1/2 tazas (600 ml)	Máximo	48-51	<ul style="list-style-type: none"> ■ Prepara apr. 6 1/2- 7 tazas (1560-1680 ml)
Blanco Precocido - Grano corriente y largo	1 taza (240 ml)	1 1/2 tazas (360 ml)	Máximo	45-47	<ul style="list-style-type: none"> ■ Prepara apr. 3 1/2 tazas (840 ml)
	1 1/2 tazas (360 ml)	2 tazas (480 ml)	Máximo	49-51	<ul style="list-style-type: none"> ■ Prepara apr. 5 tazas (1200 ml)
	2 tazas (480 ml)	2 1/2 tazas (600 ml)	Máximo	58-60	<ul style="list-style-type: none"> ■ Prepara apr. 7 tazas (1680 ml)

OTROS ALIMENTOS

Otros Alimentos	Peso/ o cantidad de pedazos	Nivel del agua	Sugerencias de sabores para el infusor (use de 2 a 3 cdtas. hierbas/ especias secas)	Tiempo (apr. en minutos)	Consejos
Huevos Grandes - Cocidos	Hasta 12	Máximo	No se recomienda (el sabor no penetra la cáscara)	35	<ul style="list-style-type: none"> ■ Coloque los huevos sobre o cerca de los orificios del vapor.
Manzanas - Sus favoritos	5 medianas (apr. 2 lbs.) (0.9 kg)	Bajo	clavos de olor anís canela	11-13	<ul style="list-style-type: none"> ■ Pele, quite el tallo, corte en rebanadas de 1/4 " (6 mm). ■ Distribuya en el recipiente ■ Remueva con cuidado después de 10 minutos. ■ Si lo desea, agregue 1/4 taza (60 ml) de pasas. ■ Prepara apr. 3 1/2 tazas (840 ml).
Peras	4 medianas (apr. 2 lbs.) (0.9 kg)	Bajo	gengibre anís pimienta inglesa	23-26	<ul style="list-style-type: none"> ■ Pele, quite el tallo, y corte en cuatro pedazos. Remoje en agua (4 tazas/960ml) y jugo de limón (1/4 taza/60 ml) para prevenir que se doren (10 minutos). ■ Escorra y coloque en el recipiente. ■ Remueva con cuidado después de 10 minutos ■ Pase al recipiente para el arroz o a un plato de servir; ■ Vierta el jugo del colector sobre la fruta. ■ Prepara apr. 3 1/2 tazas (840 ml).
Ciruelas	1 paquete 1 1/2 lbs. (0.68 kg)	Bajo	cáscara de cítricos frescos cardamomo canela	15-20	<ul style="list-style-type: none"> ■ Distribuya en el recipiente ■ Prepara apr. 4 tazas (960 ml).

¿NECESITA AYUDA?

Si necesita ayuda, acuda a un centro de servicio autorizado o propio de Black & Decker. Puede encontrar un centro cercano a Ud. buscando en las páginas amarillas de la guía telefónica bajo, "Reparación de Enseres Menores".

Si envía por correo la unidad, empáquela con cuidado en un cartón resistente con suficiente material de empaque para evitar cualquier daño. Por favor incluya una nota para nuestro centro de servicio describiendo el problema. No se olvide de anotar su dirección y número telefónico. Para su propia protección le sugerimos enviar el paquete asegurado.

UN AÑO COMPLETO DE GARANTÍA

Household Products, Inc. garantiza este producto contra cualquier defecto originado por fallas en los materiales o en la mano de obra por un período de un año a partir de la fecha original de compra. Esta garantía no incluye daños al producto ocasionados por accidentes, mal uso o reparaciones por talleres no autorizadas por Black & Decker. Si el producto resulta con defectos dentro del período de garantía lo repararemos o reemplazaremos de ser necesario, sin cargo alguno. Para que esta garantía sea válida debe presentar el producto con su recibo de compra y/o la tarjeta de registro correspondiente. Esta garantía le otorga derechos específicos, y usted podría tener otros que pueden variar en su país. Si tiene alguna pregunta, comuníquese con una sucursal o centro de servicio Black & Decker más cercano. **Nota:** Solamente en México, esta garantía incluye los gastos de transportación que se originen dentro de nuestra red de servicio.

IMPORTANTES MESURES DE SÉCURITÉ

Lorsqu'on utilise un appareil électrique, il faut toujours respecter certaines règles de sécurité fondamentales, notamment les suivantes.

■ Lire toutes les directives.

- Éviter de toucher aux surfaces chaudes. Prendre l'appareil par les poignées ou les boutons. Toujours utiliser des poignées lorsqu'on retire le couvercle ou qu'on manipule un récipient chaud afin d'éviter les brûlures dues à la vapeur.
- Afin d'éviter les risques de secousses électriques, ne pas immerger le cordon, la fiche ni le socle de l'appareil.
- Exercer une étroite surveillance lorsque l'appareil est utilisé à proximité d'un enfant ou que ce dernier s'en sert.
- Débrancher l'appareil lorsqu'on ne s'en sert pas et avant de le nettoyer. Le laisser refroidir avant d'en remplacer les accessoires ou de le nettoyer.
- Ne pas utiliser un appareil dont la fiche ou le cordon est abîmé, qui présente un problème de fonctionnement, qui est tombé par terre ou qui est endommagé. Le rapporter au centre de service autorisé de la région pour le faire examiner, réparer ou régler.
- L'utilisation d'accessoires non recommandés par le fabricant présente des risques de blessures.
- Ne pas utiliser l'appareil à l'extérieur.
- Ne pas laisser pendre le cordon d'une table ou d'un comptoir, et ne pas laisser le cordon entrer en contact avec une surface chaude.
- Ne pas placer l'appareil sur ou près d'un appareil de cuisson ni dans un four à micro-ondes ou un four chauffé, ni directement sous les armoires.
- Prendre garde lorsqu'on déplace un appareil renfermant des aliments ou des liquides chauds. Éviter de s'étirer au-dessus de l'éteuseuse en service.
- Utiliser l'appareil seulement aux fins auxquelles il a été prévu.
- Ne pas s'en servir en présence de vapeurs explosives ou inflammables.
- Soulever doucement le couvercle lorsqu'on veut l'ouvrir afin d'éviter de se brûler et le laisser dégoutter dans l'éteuseuse.
- L'appareil est conçu pour une utilisation domestiques seulement et non, pour une utilisation commerciale ou industrielle.

CONSERVER CES MESURES.

CORDON

La longueur du cordon de l'appareil a été choisie afin d'éviter les risques que présente un long cordon. Tout cordon de rallonge à fiche polarisée d'au moins 10 A, 120 V, certifié par l'organisme américain *Underwriters Laboratories* ou homologué par la CSA peut servir au besoin. Lorsqu'on utilise un cordon long, s'assurer qu'il ne traverse pas la zone de travail, qu'on ne puisse tirer dessus par inadvertance ou qu'on ne puisse trébucher dessus.

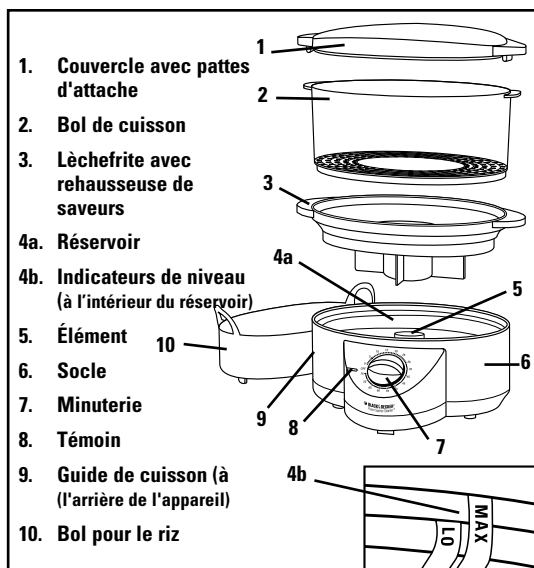
VIS INDESSERRABLE

L'appareil est doté d'une vis indesserrable empêchant l'enlèvement du boîtier. Pour réduire les risques d'incendies ou de secousses

électriques, **ne pas tenter de retirer le boîtier**. L'utilisateur ne peut pas remplacer les pièces de l'appareil. En confier la réparation seulement au personnel des centres de service autorisés.

FICHE POLARISÉE

L'appareil est muni d'une fiche polarisée (une lame plus large que l'autre). Afin de réduire les risques de secousses électriques, ce genre de fiche n'entre que d'une façon dans une prise polarisée, par mesure de sécurité. Lorsqu'on ne peut insérer la fiche à fond dans la prise, il faut tenter de le faire après avoir inversé les lames de côté. Si la fiche n'entre toujours pas dans la prise, il faut communiquer avec un électricien certifié. Il ne faut pas neutraliser ce dispositif de sécurité.

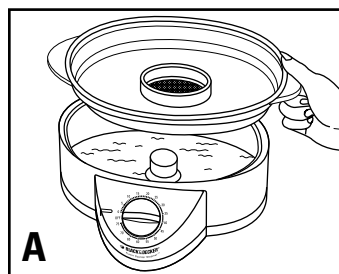


Utilisation

BOL DE CUISSON À L'ÉTUVÉE

(Consulter le guide de cuisson pour les temps de cuisson suggérés, les techniques et le niveau d'eau.)

1. Remplir le réservoir d'eau froide jusqu'au niveau approprié (niveaux bas (LO) ou élevé (MAX FILL)); voir l'illustration en cartouche. **IMPORTANT** : Ne pas dépasser l'indicateur MAX FILL. Un surplus d'eau empêche l'évaporation rapide et allonge les temps de cuisson.



NOTE : Pour obtenir un surcroît de saveur, on peut ajouter du bouillon de poulet ou du vin blanc à l'eau du réservoir. Ne pas utiliser de la bière, du vin rouge, de l'huile, des extraits d'essence (comme de la vanille) ni des jus de fruits dans le réservoir car ces aliments peuvent en tacher le plastique ou en abîmer l'élément.

2. Saisir la lèchefrite par la poignée et la placer dans le socle (A).

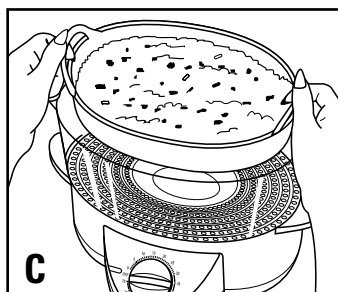
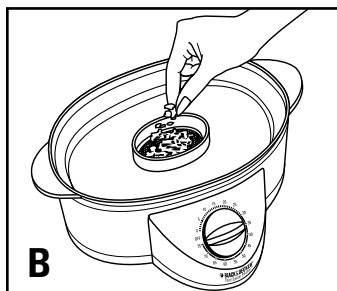
3. Placer des herbes ou des épices dans la rehausseuse de saveurs à tamis pour

relever le goût des aliments (B). (Consulter la rubrique relative aux conseils pratiques.) On peut également se servir de la lèche-frite sans ajouter des herbes dans la rehausseuse de saveurs.

4. Placer l'aliment voulu dans le bol de cuisson et couvrir celui-ci en s'assurant que les poignées sont bien alignées les unes sur les autres et que les pattes d'attache sont bien insérées dans les ouvertures prévues à cet effet.

5. Insérer le bol de cuisson dans le socle. Brancher l'appareil. Régler la minuterie au temps de cuisson voulu (maximum de 75 minutes). Une cloche se fait entendre, le témoin de fonctionnement s'éteint et l'appareil s'arrête automatiquement lorsque le temps s'est écoulé. Il peut encore y avoir de l'eau dans le réservoir.

NOTE : Lorsque le temps de cuisson voulu est inférieur à 15 minutes, il faut d'abord faire tourner la minuterie au moins jusqu'à 15 puis la reculer jusqu'au temps de cuisson voulu.



6. Lorsqu'on se sert du bol pour le riz, ajouter le riz, les herbes, les assaisonnements et l'eau directement dans le bol et remplir le réservoir d'eau au niveau approprié. Placer le bol de cuisson à l'étuvée sur le socle et déposer le bol pour le riz rempli dans le bol de cuisson à l'étuvée (C).

7. Prendre des mitaines ou des poignées pour retirer le bol de cuisson à l'étuvée, la lèche-frite ou le bol pour le riz après la cuisson à l'étuvée. Soulever le couvercle de sorte que la vapeur s'échappe loin des mains et du visage.

8. On peut également utiliser le bol pour le riz afin de préparer des légumes, d'autres aliments avec des sauces, du poulet ou du poisson dans des liquides ou pour réchauffer des aliments en casserole.

NOTE : Il faut toujours utiliser la lèche-frite lorsqu'on ne se sert pas du bol pour le riz. Il empêche l'égouttement du jus ou de la graisse des aliments dans l'eau du réservoir, et leur ébullition dans le bol de cuisson. On peut conserver les jus et les graisses pour leur utilisation ultérieure dans la préparation de sauces ou de bouillons.

CONSEILS PRATIQUES - REHAUSSEUSE DE SAVEURS

Ajouter des herbes fraîches ou séchées à la rehausseuse de saveurs à tamis pour assaisonner des aliments sains. Le thym, la coriandre, le basilic, l'aneth, le cari et l'estragon, pour ne nommer que quelques herbes et épices, tout comme l'ail, le cumin ou le raifort peuvent relever la saveur des aliments sans avoir besoin de sel. Respecter les consignes suivantes lorsqu'on se sert de la rehausseuse de saveurs.

- Essayer l'assaisonnement suggéré dans le guide de cuisson ou utiliser son herbe préférée.
- Les suggestions mentionnent des quantités variant entre 2,5 ml et 15 ml (1/2 et 3

cuillères à thé) d'herbes ou d'épices séchées. Lorsqu'on utilise des herbes fraîches, hacher les feuilles et en tripler la quantité.

- Afin d'empêcher le passage d'herbes fines ou d'épices moulues par le tamis de la rehausseuse de saveurs, rincer ou mouiller celui-ci avant d'ajouter les assaisonnements.

Entretien et nettoyage

MISE EN GARDE : Débrancher l'éteveuse et la laisser refroidir avant de la nettoyer.

- **Bols, couvercle et lèchefrite** - Laver dans de l'eau chaude savonneuse. Bien les rincer et les assécher. Ces pièces vont également au lave-vaisselle.
- **Réservoir (Intérieur du socle)** - Verser de l'eau chaude savonneuse dans le réservoir. En nettoyer l'intérieur à l'aide d'une brosse en plastique ou d'un tampon à récurer non abrasif. Rincer à fond avec de l'eau chaude propre.
- **Soins particuliers à apporter à l'élément** - Au bout d'un certain temps d'utilisation, la surface de l'élément peut se décolorer. Nettoyer comme suit.
 - S'assurer qu'aucun composant de l'éteveuse ne recouvre le socle.
 - Verser du vinaigre dans le socle jusqu'au niveau élevé (MAX FILL).
 - Brancher l'appareil et mettre la minuterie en service pour environ 20 minutes.
 - Veiller à ce que la solution ne se déverse pas et qu'elle n'éclabousse pas les parois extérieures de l'appareil.
 - Lorsque la cloche se fait entendre et que le témoin de fonctionnement s'éteint, débrancher l'appareil. Jeter la solution vinaigrée, rincer à l'eau fraîche et frotter l'élément à l'aide d'une brosse non abrasive en plastique.
- À la longue, il peut y avoir une décoloration normale de la lèchefrite et de l'intérieur du socle en raison de l'utilisation répétée d'herbes et d'épices.
- **Extérieur du socle** - Essuyer le socle et le cordon avec un chiffon humide, puis bien les assécher. Ne jamais immerger le socle, ni le placer au lave-vaisselle.

NOTE : Ne pas nettoyer les composants de l'éteveuse avec un javellisant, un tampon abrasif ou tout produit abrasif.

Guide de cuisson

NOTE : Le temps de cuisson varie selon le type de cuisson voulu ainsi que la quantité d'aliments à cuire. Le guide de cuisson donne des suggestions qui peuvent être modifiées au goût. Il s'agit de périodes de cuisson complète commençant à la mise en service de la minuterie.

LÉGUMES FRAIS

Le poids indiqué dans le guide de cuisson correspond à celui des aliments avant de les nettoyer, de les couper ou de les éplucher. Les couper en morceaux uniformes. Cuire les aliments jusqu'à ce qu'ils soient tendres mais encore croquants afin d'en optimiser le goût et la valeur nutritive.

Légumes frais	Poids ou nombre de morceaux	Niveau d'eau	Assaisonnement suggéré (de 1/2 à 1 c. à thé séché)	Temps approx. (min)	Directives
Artichauts entiers	De 5 à 6 moyens	Élevé	Ail (1 ou 2 gousses), estragon, aneth	De 35 à 38	<ul style="list-style-type: none"> ■ Couper les bouts de sorte qu'ils reposent à plat. ■ Les ouvrir légèrement et les laisser tremper (10 min) pour les nettoyer. ■ Utiliser des pinces pour les retirer du bol de cuisson.
Asperges, pointes	0,45 kg (1 lb) Diamètre d'environ 10 mm à 13 mm (3/8 à 1/2 po)	Bas	Beurre au citron, feuilles de laurier, thym	De 12 à 14	<ul style="list-style-type: none"> ■ Couper et jeter les bouts durs. ■ Réduire le temps de cuisson si les pointes sont plus minces.
Haricots, verts ou jaunes, entiers ou coupés	0,45 kg (1 lb) 0,68 kg (1 1/2 lb)	Bas	Graines de cumin, graines d'aneth, sarriette	De 14 à 16 De 16 à 20	<ul style="list-style-type: none"> ■ Brasser au bout de 10 min. ■ Donne 4 1/2 tasses. ■ Donne environ 6 tasses pour 0,68 kg (1 1/2 lb).
Brocoli, bouquet	0,45 kg (1 lb) 0,68 kg (1 1/2 lb)	Bas	Coriandre, piment fort broyé, estragon	De 13 à 15 De 14 à 16	<ul style="list-style-type: none"> ■ Couper des morceaux de 25 à 150 mm (5 à 6 po), du bout à la tige. Les tiges devraient avoir un diamètre d'environ 6 mm à 10 mm (1/4-3/8 po). ■ Couvrir la surface du bol de cuisson. ■ Donne environ 4 1/2 tasses. ■ Même procédure. ■ Donne environ 6 tasses.
Choux de Bruxelles	De 0,68 kg à 0,9 kg (1 1/2 - 2 lb)	Bas	Sauge, ciboulette, romarin	De 16 à 18	<ul style="list-style-type: none"> ■ Couper les feuilles et les tiges au besoin. ■ Faire une croix peu profonde dans la tige; laver et égoutter. ■ Couvrir la surface du bol decuisson. ■ Donne environ 4 tasses.
Chou	De 0,68 kg à 0,9 kg (1 1/2 - 2 lb) (environ la moitié d'un chou moyen)	Bas	Graines de coriandre, graines de céleri, sarriette	De 22 à 25	<ul style="list-style-type: none"> ■ Couper les feuilles du dessus et le cœur. ■ Trancher en 4 morceaux égaux en gardant un bout de coeur à chaque morceau. ■ Placer les morceaux sur les côtés, au-dessus des trous de vapeur autour du bol. ■ Sortir avec des pinces.
Carottes	0,45 kg (1 lb)	Bas	Anis, menthe, aneth	De 16 à 19	<ul style="list-style-type: none"> ■ Peler; faire des tranches d'environ 6 mm (1/4 po) d'épaisseur. ■ Brasser au bout de 10 min. ■ Donne environ 2 1/4 tasses.

Légumes frais	Poids ou nombre de morceaux	Niveau d'eau	Assaisonnement suggéré (de 1/2 à 1 c. à thé séché)	Temps approx. (min)	Directives
Chou-fleur, entier	Moyen (environ 1,1 kg (2 1/2 lb) non coupé)	Bas	Romarin, basilic, estragon	De 19 à 21	<ul style="list-style-type: none"> ■ Nettoyer et enlever le cœur. ■ Placer au centre du bol de cuisson. ■ Le soulever à l'aide de deux fourchettes à la fin de la cuisson.
Chou-fleur, fleurs	Moitié d'un gros chou-fleur (environ 825 ml (7 t))	Bas		De 19 à 21	<ul style="list-style-type: none"> ■ Couper des bouquets d'environ 50 mm (2 po) de diamètre. ■ Les placer de façon déagée. ■ Donne environ 6 tasses.
Maïs en épi	Maximum de 5, 203 mm (8 po)	Bas	Menthe, piment fort broyé, cumin	De 19 à 23	<ul style="list-style-type: none"> ■ Casser l'épi au besoin. ■ Couvrir le fond du bol et empiler l'autre couche de façon transversale.
Pommes de terre, moitiés - rouges	0,45 kg (1 lb) environ 4 moyennes	Élevé	Cerfeuil, ciboulette, aneth	De 35 à 40	<ul style="list-style-type: none"> ■ Frotter et laver; les couper en deux. ■ Placer le long des parois du bol de cuisson, la face coupée vers le bas. ■ Retirer à l'aide de pinces. ■ Préparer et placer de la façon décrite précédemment en empilant la deuxième couche sur la première.
	0,9 kg (2 lb) environ 7 ou 8 moyennes	Élevé		De 40 à 45	
Rutabaga	1 gros De 0,68 à 0,9 kg (1 1/2 à 2 lb)	Élevé	Muscade, clou de girofle, anis	De 30 à 32	<ul style="list-style-type: none"> ■ Peler, laver, couper en quatre, puis en lamelles de 6 mm (1/4 po). ■ Couvrir la surface du bol de cuisson. Empiler par couches. ■ Brasser au bout de 10 et de 15 min. ■ Donne environ de 4 1/2 à 5 tasses.
Pois, mange-tout	0,23 kg (1/2 lb)	Bas	Coriandre, ail (une ou deux gousses), gingembre	De 8 à 9	<ul style="list-style-type: none"> ■ Couper les bouts; enlever les fils et laver. ■ Répartir sur la surface du bol de cuisson. ■ Brasser au bout de 6 min. ■ Donne environ 2 tasses.
Épinards	0,45 kg (1 lb)	Bas	Cerfeuil, thym, ail (une ou deux gousses)	De 14 à 16	<ul style="list-style-type: none"> ■ Équeuter, laver et laisser égoutter 1 ou 2 minutes. ■ Bien tasser dans le bol de cuisson; jusqu'à ce qu'il soit pratiquement plein. ■ Brasser au bout de 7 et de 10 min; utiliser une fourchette à long manche pour décoller les feuilles du fond du bol de cuisson. ■ Donne environ 3 tasses.
Courges, spaghetti et zucchini	0,45 kg (1 lb) moyen	Bas	Basilic, romarin, origan	De 12 à 14	<ul style="list-style-type: none"> ■ Couper et laver. ■ Couper en tranches de 6 mm (1/4 po). ■ Brasser au bout de 7 min. ■ Donne environ 2 2/3 ou 3 t.
Navets	0,45 kg (1 lb) (environ 5 ou 6 petits)	Bas	Cumin, basilic, persil	De 14 à 16	<ul style="list-style-type: none"> ■ Peler et laver. Couper en tranches de 6 mm (1/4 po). ■ Couvrir la surface du bol de cuisson. Empiler par couches. ■ Brasser au bout de 9 min. ■ Donne environ 2 1/2 tasses.

LÉGUMES CONGELÉS

Le temps indiqué correspond à celui nécessaire pour la cuisson du contenu des paquets indiqués. **NE PAS LES DÉCONGELER** avant de les faire cuire.

Légumes congelés	Poids ou nombre de morceaux	Niveau d'eau	Assaisonnement suggéré (de 1/2 à 1 c. à thé séché)	Temps approx. (min)	Directives
Asperges, coupées	2 paquets de 280 g (10 oz) chacun	Bas	Beurre au citron, feuilles de laurier, thym	De 19 à 21	■ Séparer et brasser avec une fourchette au bout de 10 et 15 minutes.
Haricots, vert ou jaune, entiers ou coupés	Un sac (455 g (16 oz))	Bas	Graines de cumin, graines d'aneth, sarriette	De 18 à 20	■ Brasser au bout de de 10 minutes.
Brocoli, haché	Un sac de 455 g (16 oz)	Bas	Ail (une ou deux gousses), piment fort broyé, estragon	De 15 à 17	■ Séparer et brasser au bout de 10 minutes.
Chou-fleur	Un sac de 560 g (20 oz)	Bas	Romarin, basilic, estragon	De 18 à 20	■ Séparer et brasser au bout de 10 et 15 minutes.
Maïs, en grains	Un sac de 455 g (16 oz)	Bas	Poivre de cayenne, coriandre, ciboulette	De 14 à 16	■ Brasser au bout de 7 minutes.
Macédoine de légumes	Un sac de 700 g (25 oz)	Bas	Origan, moutarde sèche, sarriette	De 23 à 25	■ Séparer et brasser au bout de 10 et 15 minutes.
Pois, verts	Un sac de 455 g (16 oz)	Bas	Basilic, marjolaine, menthe	De 14 à 16	■ Séparer au bout de de 10 minutes.
Épinards, hachés	2 paquets de 280 g (10 oz) chacun	Bas	Cerfeuil, thym, ail (une ou deux gousses)	De 22 à 24	■ Séparer ou brasser avec une fourchette au bout de 20 minutes.

POISSONS ET FRUITS DE MER

Le temps de cuisson indiqué convient aux poissons et fruits de mer frais, congelés et dégelés.

Type de poisson - fruits de mer	Poids ou nombre de morceaux	Niveau d'eau	Assaisonnement suggéré (de 1 à 3 c. à thé séché)	Temps approx. (min)	Directives
Palourdes, Cherrystones (fraîches)	1 douz. avec coquilles Max de 50 mm (2 po)	Bas	Raifort, gingembre, assaisonnement à volaille	De 12 à 17	■ Nettoyer et laisser tremper. ■ Renverser les piles de coquillages. ■ Cuire jusqu'à ce que les coquilles soient bien ouvertes.
Steamers (fraîches)	1 douz. avec coquilles Max. de 70 mm (2 3/4 po)	Bas	Poivre de cayenne, flocons d'oignon émincés, graines de fenouil	De 9 à 20	■ Utiliser des pinces pour les sortir. ■ Pour étuver de gros coquillages (jusqu'à 70 mm), ajouter 125 ml (1/2 t) d'eau si la cuisson à l'étuvée cesse avant l'ouverture de tous les mollusques.

Type de poisson - fruits de mer	Poids ou nombre de morceaux	Niveau d'eau	Assaisonnement suggéré (de 1 à 3 c. à thé séché)	Temps approx. (min)	Directives
Crabe, pattes et pinces (cuites, congelées et dégelées)	Maximum de 0,9 kg (2 lb)	Bas	Beurre au citron, marjolaine, raifort	De 18 à 22	<ul style="list-style-type: none"> ■ Couper les pattes pour qu'elles entrent dans le bol, environ 230 mm (9 po). ■ Faire cuire jusqu'à ce qu'elles soient chaudes.
Coquilles St-Jacques (fraîches)	0,45 kg (1 lb) écalées	Bas	Estragon, persil, graines de coriandre, zeste de citron râpé, muscade,	De 14 à 15	<ul style="list-style-type: none"> ■ Disposer sur une couche, au-dessus des trous; il faut plusieurs couches avec de plus grandes quantités de mollusques.
Pétoncles (frais)	0,45 kg (1 lb) écalés Max. 25 mm (1 po) d'épaisseur	Bas	ail émincé (2 gousses)	De 15 à 17	<ul style="list-style-type: none"> ■ Il peut être nécessaire de régler la minuterie au maximum lorsque les mollusques sont gros ou en grosses quantités. ■ Brasser au bout de 7 et de 10 minutes. ■ Cuire jusqu'à ce que la chair des mollusques devienne de couleur opaque.
Crevettes (fraîches ou congelées et dégelées)	Grosses non décortiquées 0,45 kg (1 lb) 0,68 kg (1 1/2 lb)	Bas	Mélange d'assaisonnement pour fruits de mer, zeste de citron râpé, raifort	De 16 à 18	<ul style="list-style-type: none"> ■ Défaire les piles de crustacés. ■ Brasser au bout de 7 et 10 minutes. ■ Cuire jusqu'à ce que la coquille soit rougeâtre et la chair de couleur opaque. ■ Pour 0,68 kg (1 1/2 lb), brasser au bout de 10 minutes.
		Bas		De 15 à 17	
Filets (frais ou congelés et dégelés) de sole, d'aiglefin, ou autres	0,44 kg (3/4 lb) d'une épaisseur entre 6 et 13 mm (1/4 - 1/2 po)	Bas	Moutarde sèche, piment de la Jamaïque, marjolaine	De 12 à 14	<ul style="list-style-type: none"> ■ Vaporiser le fond du bol de cuisson avec un produit antiadhésif afin de mieux enlever les filets et nettoyer le bol. ■ Placer les morceaux les plus gros ou autres dans le fond et empiler les plus petits sur le dessus. ■ Cuire jusqu'à ce que la chair devienne de couleur opaque et qu'elle se défasse facilement. ■ Sortir doucement à l'aide d'une spatule.
Steaks (frais ou congelés et dégelés)	De 0,45 à 0,68 kg (1 - 1 1/2 lb) 3 morceaux	Bas	Aneth, estragon, beurre au citron	De 20 à 22	<ul style="list-style-type: none"> ■ Vaporiser le fond du bol de cuisson avec un produit antiadhésif afin de mieux enlever les filets et nettoyer le bol. ■ Placer dans le fond du bol de cuisson. ■ Cuire jusqu'à ce que la chair devienne de couleur opaque et qu'elle se défasse facilement; vérifier près d'une arête ou à un endroit épais.
Saumon	De 20 à 25 mm (3/4 - 1 po) d'épaisseur				
Espadon	De 20 à 25 mm (3/4 - 1 po) d'épaisseur 1 ou 2 morceaux	Bas	Zeste de citron râpé, zeste d'orange râpé, moutarde sèche	De 22 à 23	<ul style="list-style-type: none"> ■ Sortir doucement du bol de cuisson à l'aide d'une spatule. ■ Essayer avec d'autres types de poisson.

Type de poisson - fruits de mer	Poids ou nombre de morceaux	Niveau d'eau	Assaisonnement suggéré (de 1 à 3 c. à thé séché)	Temps approx. (min)	Directives
Thon	De 20 à 25 mm (3/4 - 1 po) d'épaisseur	Bas	Cari, muscade, ciboulette	De 21 à 23	directives de base pour la cuisson de steaks de poisson. <ul style="list-style-type: none"> ■ Lorsque la production de vapeur cesse avant d'entendre le timbre de la minuterie, ajouter 125 ml (1/2 t) d'eau et surveiller afin de ne pas trop cuire.

POULET ET SAUCISSES

Poulet et saucisses	Poids ou nombre de morceaux	Niveau d'eau	Assaisonnement suggéré (de 2 à 3 c. à thé séché)	Temps approx. (min)	Directives
Poulet, peau et gras enlevés					
-poitrines, désossées	De 0,45 à 0,55 kg (1 - 1 1/4 lb) (4 gros morceaux)	Bas	Cari, romarin, thym	De 19 à 21	<ul style="list-style-type: none"> ■ Dans tous les cas, étuver jusqu'à ce que le jus de cuisson soit transparent et que la chair soit blanche dans les parties épaisses ou près des os. ■ Placer les morceaux dans le fond du bol; le cas échéant, ajouter par-dessus les plus petits morceaux. ■ Placer les morceaux dans le fond du bol; la partie charnue vers le bas et la charnue vers le bas et la partie épaisse vers la paroi du bol. ■ Même procédure.
-poitrines, divisées, avec os	De 0,45 à 0,55 kg (1 - 1 1/4 lb) (2 morceaux)	Élevé	Assaisonnements à volaille, sarriette, muscade	De 38 à 42	
	De 0,7 à 0,9 kg (1 3/4 - 2 lb) (4 morceaux)	Élevé	Macis, paprika, estragon	De 47 à 51	
Saucisses, longueur maximale de 17 cm (7 po), percées à la fourchette pour en prévenir l'éclatement	0,45 kg (1 lb) (10)	Bas	Graines de moutarde, fenouil, flocons d'oignons séchés, graines de cumin, poudre chili, anis	De 15 à 17	<ul style="list-style-type: none"> ■ Placer les saucisses dans le fond du bol de cuisson, pour 0,45 kg (1 lb). ■ Pour 0,9 kg (2 lb), les placer et empiler et empiler les autres sur le dessus de façon transversale.
	0,9 kg (2 lb) (20)	Bas		De 20 à 22	

RIZ

Utiliser une tasse pour mesurer précisément la quantité de riz et d'eau qui vont dans le bol. Brasser le riz au bout du délai minimal donné pour chaque type. Pour modifier le goût du riz, remplacer la quantité d'eau prescrite dans le bol pour le riz par la même quantité de bouillon de poulet, de bœuf ou de légumes. Ajouter le sel, le poivre, les assaisonnements, le beurre ou la margarine avant la cuisson. Après la cuisson, ajouter au riz des oignons émincés, du persil ou des champignons.

(NOTE : Ne pas se servir de la lèche-frite et de la rehausseuse de saveurs pour préparer du riz. Utiliser le bol pour le riz.)

Type de riz	Quantité de riz	Quantité d'eau	Niveau d'eau	Temps approx. (min)	Directives
Brun , régulier, à grains longs ou courts	1 tasse	1 1/4 tasse	Élevé	De 54 à 56	■ Donne environ 3 tasses.
	1 1/2 tasse	2 tasses	Élevé	De 63 à 65	■ Donne environ 4 1/2 tasses.
	2 tasses	2 1/2 tasses	Élevé	De 62 à 65	■ Donne environ 6 1/2 tasses.
Blanc - Régulier, grain extralong, long et moyen	1 tasse	1 1/2 tasse	Élevé	De 37 à 40	■ Donne environ 3 1/2 tasses.
	1 1/2 tasse	2 tasses	Élevé	De 45 à 48	■ Donne environ 5 tasses.
	2 tasses	2 1/2 tasses	Élevé	De 48 à 51	■ Donne environ 6 1/2 à 7 tasses.
- Régulier, grain long, à demi cuit	1 tasse	1 1/2 tasse	Élevé	De 45 à 47	■ Donne environ 3 1/2 tasses.
	1 1/2 tasse	2 tasses	Élevé	De 49 à 51	■ Donne environ 5 tasses.
	2 tasses	2 1/2 tasses	Élevé	De 58 à 60	■ Donne environ 7 tasses.

AUTRES ALIMENTS

Autres aliments	Poids ou nombre de morceaux	Niveau d'eau	Assaisonnement suggéré (de 1/2 à 1 c. à thé séché)	Temps approx. (min)	Directives
Oeufs , gros, cuits durs	Maximum de 12	Élevé	Aucun recommandé (Les saveurs ne traversent pas la coquille.)	35	■ Placer les oeufs sur ou près des trous de vapeur.
Pommes , du type préféré	5 moyennes (environ 0,9 kg (2 lb))	Bas	Clou de girofle, anis, cannelle	De 11 à 13	■ Peler, dénoyauter et couper en tranches de 6 mm (1/4 po). ■ Couvrir le fond du bol. ■ Brasser doucement au bout de 10 minutes. ■ Ajouter 60 ml (1/4 t) de raisins secs au goût. ■ Donne environ 3 1/2 tasses.
Poires	4 moyennes (environ 0,9 kg (2 lb))	Bas	Gingembre tranché, anis, piment de la Jamaïque	De 23 à 26	■ Peler, dénoyauter et trancher en quatre. Faire tremper dans 1 l (4 t) ■ d'eau et 125 ml (1/4 t) de jus de citron afin d'en empêcher le brunissement (10 min). ■ Brasser doucement au bout de 10 minutes. ■ Verser dans le bol pour le riz ou un bol de service; verser le jus de la lêchefrite sur les fruits. ■ Donne environ 3 1/2 tasses.
Pruneaux	Un paquet de 0,68 kg (1 1/2 lb)	Bas	Zeste de citron frais, cardamome, cannelle	De 15 à 20	■ Couvrir le fond du bol. ■ Donne environ 4 tasses.

Besoin d'aide?

SERVICE OU RÉPARATION

Confier l'entretien du produit, le cas échéant, à un centre de service Black & Decker ou un atelier d'entretien autorisé. On peut trouver dans les Pages Jaunes, sous la rubrique «Appareils électroménagers - Petits - Réparations», l'adresse du centre de service de la région. On peut également composer sans frais le numéro approprié qui se trouve sur la couverture du présent guide.

Lorsqu'on poste ou qu'on expédie le couteau, bien l'emballer dans son emballage original ou dans une boîte de carton solide, en prenant soin de l'immobiliser afin qu'il ne subisse aucun dommage. Joindre à l'intention du personnel du centre de service une lettre explicative énonçant le problème, sans oublier de donner l'adresse de retour et le numéro de téléphone de l'expéditeur. Il est également recommandé d'assurer le colis.

GARANTIE COMPLÈTE DE UN AN

Household Products, Inc. garantit ce produit pour un an à compter de la date d'achat ou de réception en cadeau, contre tout vice de matière ou de fabrication. La garantie ne couvre pas les dommages causés par un accident ou une mauvaise utilisation. Advenant le fonctionnement irrégulier du produit dans les délais prescrits, il sera réparé ou remplacé, à notre gré, sans frais. Le produit sera retourné, port payé, s'il a été envoyé port payé, à un centre de service autorisé Black & Decker.

Les modalités de la présente garantie donnent des droits légaux spécifiques. L'utilisateur peut également se prévaloir d'autres droits selon l'état ou la province qu'il habite. Adresser toute question relative à la garantie et au service en communiquant sans frais avec le service à la clientèle au numéro suivant : 1 (800) 231-9786.

*  **BLACK & DECKER** is a trademark of The Black & Decker Corporation, Towson, Maryland, USA

*Marca registrada de *The Black & Decker Corporation*, Towson, Maryland, E.U.

*Marque de commerce déposée de la société *The Black & Decker Corporation*, Towson, Maryland, É.-U.

Household Products Limited
de Mexico S. de R.L. de C.V.
650W 120V~ 60 Hz

 **BLACK & DECKER**® *



Listed by Underwriters Laboratories, Inc.
Copyright ©1996-1999 Household Products, Inc.
Pub. No. 168642-24-RV01
Product made in People's Republic of China
Printed in People's Republic of China



Enlistado por Underwriters Laboratories, Inc.
Aprobado por NOM
IMPORTADOR - Producto hecho en la República Popular China
Household Products Limited de Mexico S. de R.L. de C.V.
Acceso III No. 26 Fracc. Industrial B. Juarez
C.P. 76120, Queretaro, QRO. Telefono: (42) 11-7800
Impreso en la República Popular China

Certifié par l'organisme américain *Underwriters Laboratories, Inc.*
Approuvé par l'organisme NOM
Fabriqué en République populaire de Chine
Imprimé aux République populaire de Chine

Free Manuals Download Website

<http://myh66.com>

<http://usermanuals.us>

<http://www.somanuals.com>

<http://www.4manuals.cc>

<http://www.manual-lib.com>

<http://www.404manual.com>

<http://www.luxmanual.com>

<http://aubethermostatmanual.com>

Golf course search by state

<http://golfingnear.com>

Email search by domain

<http://emailbydomain.com>

Auto manuals search

<http://auto.somanuals.com>

TV manuals search

<http://tv.somanuals.com>