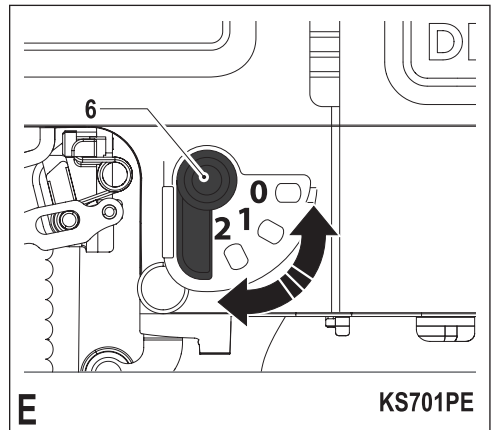
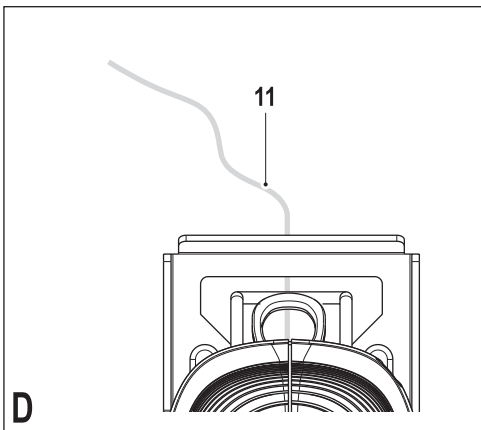
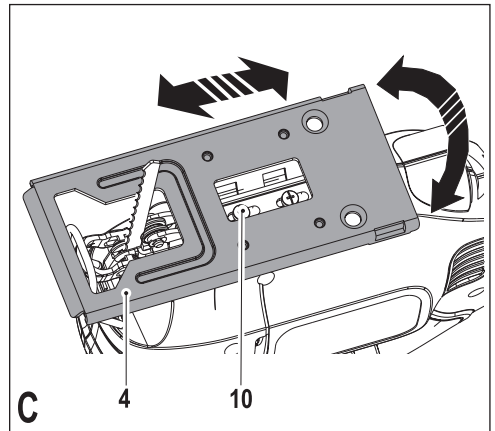
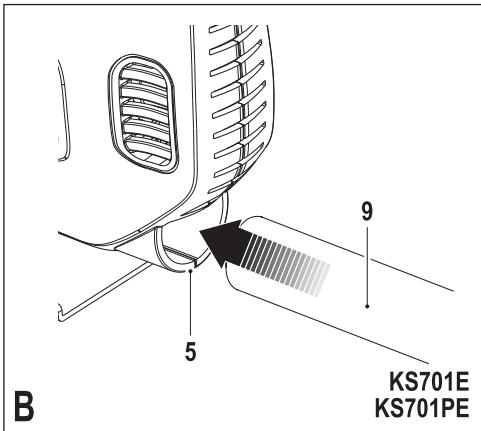
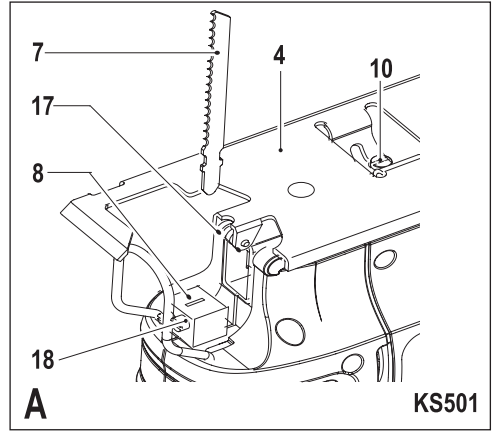
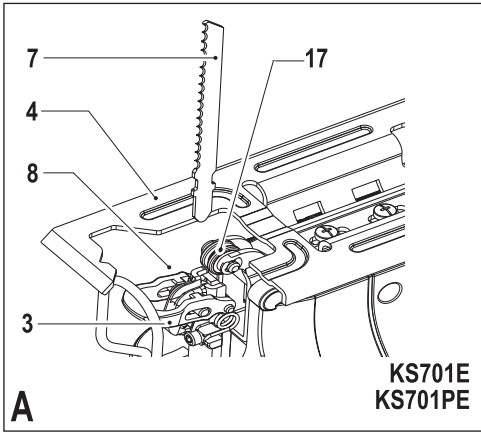
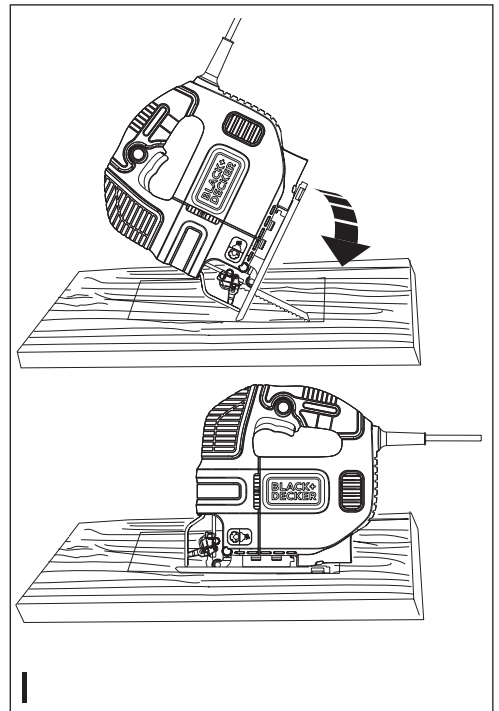
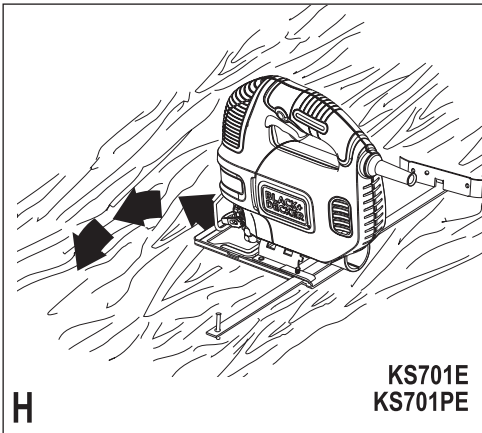
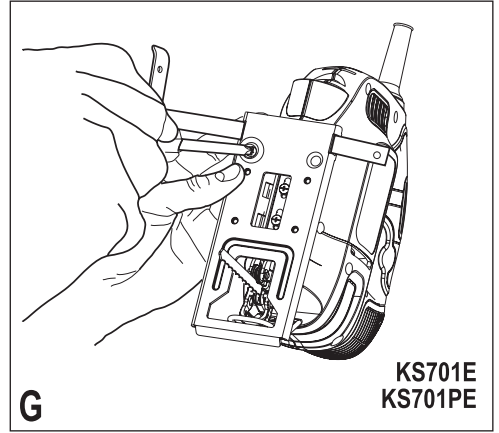
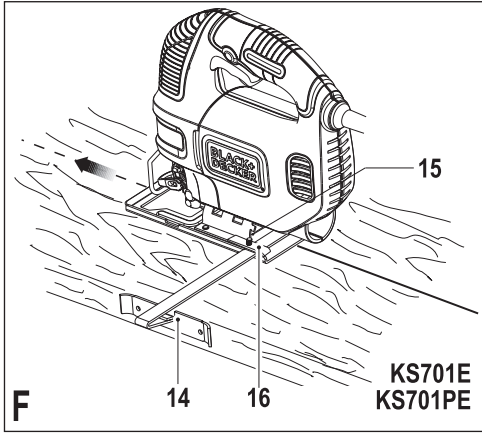


[www.blackanddecker.co.uk](http://www.blackanddecker.co.uk)

**KS501**  
**KS701E**  
**KS701PE**





## Intended use

Your BLACK+DECKER jig saw KS501, KS701E, KS701PE has been designed for sawing wood, plastics and metal. This tool is intended for consumer use only.

## Safety instructions

### General power tool safety warnings



**Warning! Read all safety warnings, instructions, illustrations and specifications provided with power tool.** Failure to follow the warnings and instructions listed below may result in electric shock, fire and/or serious injury.

### Save all warnings and instructions for future reference.

The term "power tool" in all of the warnings listed below refers to your mains operated (corded) power tool or battery operated (cordless) power tool.

1. **Work area safety**
  - a. **Keep work area clean and well lit.** Cluttered or dark areas invite accidents.
  - b. **Do not operate power tools in explosive atmospheres, such as in the presence of flammable liquids, gases or dust.** Power tools create sparks which may ignite the dust or fumes.
  - c. **Keep children and bystanders away while operating a power tool.** Distractions can cause you to lose control.
2. **Electrical safety**
  - a. **Power tool plugs must match the outlet. Never modify the plug in any way. Do not use any adapter plugs with earthed (grounded) power tools.** Unmodified plugs and matching outlets will reduce risk of electric shock.
  - b. **Avoid body contact with earthed or grounded surfaces such as pipes, radiators, ranges and refrigerators.** There is an increased risk of electric shock if your body is earthed or grounded.
  - c. **Do not expose power tools to rain or wet conditions.** Water entering a power tool will increase the risk of electric shock.
  - d. **Do not abuse the cord. Never use the cord for carrying, pulling or unplugging the power tool. Keep cord away from heat, oil, sharp edges or moving parts.** Damaged or entangled cords increase the risk of electric shock.
  - e. **When operating a power tool outdoors, use an extension cord suitable for outdoor use.** Use of a cord suitable for outdoor use reduces the risk of electric shock.
  - f. **If operating a power tool in a damp location is unavoidable, use a residual current device (RCD) protected supply.** Use of an RCD reduces the risk of electric shock.
3. **Personal safety**
  - a. **Stay alert, watch what you are doing and use common sense when operating a power tool. Do not use a power tool while you are tired or under the influence of drugs, alcohol or medication.** A moment of inattention while operating power tools may result in serious personal injury.
  - b. **Use personal protective equipment. Always wear eye protection.** Protective equipment such as dust mask, non-skid safety shoes, hard hat, or hearing protection used for appropriate conditions will reduce personal injuries.
  - c. **Prevent unintentional starting. Ensure the switch is in the off-position before connecting to power source and/or battery pack, picking up or carrying the tool.** Carrying power tools with your finger on the switch or energising power tools that have the switch on invites accidents.
  - d. **Remove any adjusting key or wrench before turning the power tool on.** A wrench or a key left attached to a rotating part of the power tool may result in personal injury.
  - e. **Do not overreach. Keep proper footing and balance at all times.** This enables better control of the power tool in unexpected situations.
  - f. **Dress properly. Do not wear loose clothing or jewellery. Keep your hair, clothing and gloves away from moving parts.** Loose clothes, jewellery or long hair can be caught in moving parts.
  - g. **If devices are provided for the connection of dust extraction and collection facilities, ensure these are connected and properly used.** Use of dust collection can reduce dust-related hazards.
  - h. **Do not let familiarity gained from frequent use of tools allow you to become complacent and ignore tool safety principles.** A careless action can cause severe injury within a fraction of a second.
4. **Power tool use and care**
  - a. **Do not force the power tool. Use the correct power tool for your application.** The correct power tool will do the job better and safer at the rate for which it was designed.
  - b. **Do not use the power tool if the switch does not turn it on and off.** Any power tool that cannot be controlled with the switch is dangerous and must be repaired.
  - c. **Disconnect the plug from the power source and/or the battery pack from the power tool before making any adjustments, changing accessories, or storing power tools.** Such preventive safety measures reduce the risk of starting the power tool accidentally.
  - d. **Store idle power tools out of the reach of children and do not allow persons unfamiliar with the power tool or**

these instructions to operate the power tool. Power tools are dangerous in the hands of untrained users.

- e. **Maintain power tools and accessories. Check for misalignment or binding of moving parts, breakage of parts and any other condition that may affect the power tools operation. If damaged, have the power tool repaired before use.** Many accidents are caused by poorly maintained power tools.
  - f. **Keep cutting tools sharp and clean.** Properly maintained cutting tools with sharp cutting edges are less likely to bind and are easier to control.
  - g. **Use the power tool, accessories and tool bits etc. in accordance with these instructions, taking into account the working conditions and the work to be performed.** Use of the power tool for operations different from those intended could result in a hazardous situation.
  - h. **Keep handles and grasping surfaces dry, clean and free from oil and grease.** Slippery handles and greasy surfaces do not allow for safe handling and control of the tool in unexpected situations.
5. **Service**
- a. **Have your power tool serviced by a qualified repair person using only identical replacement parts.** This will ensure that the safety of the power tool is maintained.

### Additional power tool safety warnings



**Warning!** Additional safety warnings for jigsaws and reciprocating saws

- ◆ **Hold power tool by insulated gripping surfaces, when performing an operation where the cutting accessory may contact hidden wiring or its own cord.** Cutting accessory contacting a "live" wire may make exposed metal parts of the power tool "live" and could give the operator an electric shock.
- ◆ **Use clamps or another practical way to secure and support the workpiece to a stable platform.** Holding the work by hand or against your body leaves it unstable and may lead to loss of control.
- ◆ **Keep hands away from cutting area.** Never reach underneath the work piece any reason. Do not insert fingers or thumb into the vicinity of the reciprocating blade and blade clamp. Do not stabilize the saw by gripping the shoe.
- ◆ **Keep blades sharp.** Dull or damaged blades may cause the saw to swerve or stall under pressure. Always use the appropriate type of saw blade for the workpiece material and type of cut.
- ◆ **When cutting pipe or conduit, make sure that they are free from water, electrical wiring, etc.**

- ◆ **Do not touch the workpiece or the blade immediately after operating the tool.** They can become very hot.
- ◆ **Be aware of hidden hazards, before cutting into walls, floors or ceilings, check for the location of wiring and pipes.**
- ◆ **The blade will continue to move after releasing the switch.** Always switch the tool off and wait for the saw blade to come to a complete standstill before putting the tool down.

**Warning!** Contact with, or inhalation of dusts arising from cutting applications may endanger the health of the operator and possible bystanders. Wear a dust mask specifically designed for protection against dust and fumes and ensure that persons within or entering the work area are also protected.

- ◆ The intended use is described in this instruction manual. The use of any accessory or attachment or performance of any operation with this tool other than those recommended in this instruction manual may present a risk of personal injury and/or damage to property.

### Safety of others

- ◆ This tool can be used by children aged from 8 years and above and persons with reduced physical, sensory or mental capabilities or lack of experience and knowledge if they have been given supervision or instruction concerning use of the appliance in a safe way and understand the hazards involved.
- ◆ Children shall not play with the appliance. Cleaning and user maintenance shall not be made by children without supervision.

### Residual risks

Additional residual risks may arise when using the tool which may not be included in the enclosed safety warnings. These risks can arise from misuse, prolonged use etc.

Even with the application of the relevant safety regulations and the implementation of safety devices, certain residual risks can not be avoided. These include:

- ◆ Injuries caused by touching any rotating/moving parts.
- ◆ Injuries caused when changing any parts, blades or accessories.
- ◆ Injuries caused by prolonged use of a tool. When using any tool for prolonged periods ensure you take regular breaks.
- ◆ Impairment of hearing.
- ◆ Health hazards caused by breathing dust developed when using your tool (example:- working with wood, especially oak, beech and MDF.)

### Vibration

The declared vibration emission values stated in the technical data and the declaration of conformity have been measured

in accordance with a standard test method provided by EN 62841 and may be used for comparing one tool with another. The declared vibration emission value may also be used in a preliminary assessment of exposure.

**Warning!** The vibration emission value during actual use of the power tool can differ from the declared value depending on the ways in which the tool is used. The vibration level may increase above the level stated.

When assessing vibration exposure to determine safety measures required by 2002/44/EC to protect persons regularly using power tools in employment, an estimation of vibration exposure should consider, the actual conditions of use and the way the tool is used, including taking account of all parts of the operating cycle such as the times when the tool is switched off and when it is running idle in addition to the trigger time.

### Labels on tool

The following pictograms are shown on the tool along with the date code:



**Warning!** To reduce the risk of injury, the user must read the instruction manual.

### Electrical safety



This tool is double insulated; therefore no earth wire is required. Always check that the power supply corresponds to the voltage on the rating plate.

- ◆ If the supply cord is damaged, it must be replaced by the manufacturer or an authorised BLACK+DECKER Service Centre in order to avoid a hazard.

### Features

This tool includes some or all of the following features.

1. Variable speed switch (KS701E, KS701PE) or On/Off switch (KS501)
2. Lock-on button
3. Saw blade locking lever
4. Shoe plate
5. Dust extraction outlet (KS701E and KS701PE only)
6. Pendulum stroke (KS701PE only)

### Assembly

**Warning!** Before attempting any of the following operations, make sure that the tool is switched off and unplugged and that the saw blade has stopped. Used saw blades may be hot.

#### Fitting the saw blade (fig. A - KS701E and KS701PE)

- ◆ Hold the saw blade (7) as shown, with the teeth facing forward.

- ◆ Push the locking lever (3) away from the shoe plate (4).
- ◆ Insert the shank of the saw blade into the blade holder (8) as far as it will go.
- ◆ Release the locking lever (3).

#### Fitting the saw blade (fig. A - KS501)

- ◆ Before fitting or removing the saw blade (7) the saw blade support roller (17) must be adjusted to the rear position so that it does not contact the blade.
- ◆ Loosen (do not remove) the two screws (18).
- ◆ Hold the saw blade (7) with the teeth facing forward.
- ◆ Insert the shank of the saw blade (7) into the blade holder (8) as far as it will go.
- ◆ Slightly tighten the two screws (18) alternately to position the blade, then fully tighten the two screws (18).
- ◆ Adjust the saw blade support roller (17) as described above.
- ◆ To remove the saw blade (7), turn both screws (18) one turn counterclockwise.

#### Connecting a vacuum cleaner to the tool (fig. B - KS701E and KS701PE only)

- ◆ Slide the vacuum nozzle (9) into the dust extraction outlet (5).

### Use

#### Adjusting the shoe plate for bevel cuts (fig. C)

**Warning!** Never use the tool when the saw shoe plate is loose or removed.

The shoe plate (4) can be set to a left or right bevel angle of 45°.

- ◆ Loosen the screws (10). Some models have one screw.
- ◆ Pull the shoe (4) forward, rotate the shoe to the left or right and push it back into the 45° location. (KS701E and KS701PE only).
- ◆ Push the shoe (4) back, rotate to the right and pull it back into the 45° location. (KS501 only).
- ◆ Tighten the screw.

#### To reset the shoe plate (4) for 90° cuts:

- ◆ Loosen the screw (10).
- ◆ Pull the shoe (4) forward, rotate to the centre and push it back into the 0° location.
- ◆ Tighten the screw.

#### Variable speed control (KS701E and KS701PE only)

- ◆ Use a high speed for wood, medium speed for aluminium and PVC and low speed for metals other than aluminium.

#### Switching on and off

- ◆ To switch the tool on, press the variable speed switch (KS701E and KS701PE) or the On/Off switch (KS501) (1).

On KS701E and KS701PE units the speed depends on how far you depress the switch.

- ◆ For continuous operation, press the lock-on button (2) and press the variable speed switch. This option is available only at full speed.
- ◆ To switch the tool off, release the variable speed switch. To switch the tool off, when in continuous operation, press the variable speed switch once more and release it.

### How to Use the Sightline® Feature (fig. D)

- ◆ Use a pencil to mark the cutting line.
- ◆ Position the jig saw over the line (11).

Viewing from directly above the jig saw, the line of cut can be followed easily.

### Cutting mode (KS701PE only)

Pendulum stroke or action provides a more aggressive blade motion and is designed for cutting soft materials such as wood or plastic. It provides a faster cut, but with a less smooth cut across the material. Your jig saw has a Pendulum Stroke dial. Use of this dial is explained in the next section.

**Note:** Never use pendulum action to cut metal.

### Pendulum Stroke dial (fig. E - KS701PE only)

The KS701PE has these four cutting modes with increasing amounts of pendulum action:

- ◆ Position 0: metal and aluminium and sheet metal (no pendulum action).
- ◆ Position 1: for laminates, hard wood, work tops.
- ◆ Position 2: for plywood and PVC/Plastics.
- ◆ Position 3: for soft wood and fast cutting.

### To adjust the pendulum action:

- ◆ Rotate the Pendulum Stroke dial (6) to the required position.

### Sawing

Hold the tool firmly with both hands while cutting. The shoe plate (4) should be held firmly against the material being cut. This will help prevent the saw from jumping, reduce vibration and minimise blade breakage.

- ◆ Let the blade run freely for a few seconds before starting the cut.
- ◆ Apply only a gentle pressure to the tool while performing the cut.

### Hints for optimum use

#### Sawing laminates

When cutting laminates, splintering may occur which can damage the presentation surface. The most common saw blades cut on the upward stroke, therefore if the shoe plate is

sitting on the presentation surface either use a saw blade that cuts on the downward stroke or:

- ◆ Use a fine-tooth saw blade.
- ◆ Saw from the back surface of the workpiece.
- ◆ To minimise splintering, clamp a piece of scrap wood or hardboard to both sides of the workpiece and saw through this sandwich.

### Sawing metal

**Warning!** Do not use a vacuum when cutting metal. Metal filings will be hot and may cause fire.

Be aware that sawing metal takes much more time than sawing wood.

- ◆ Use a saw blade suitable for sawing metal.
- ◆ When cutting thin sheet metal, clamp a piece of scrap wood to the back surface of the workpiece and cut through this sandwich.
- ◆ Spread a film of oil along the intended line of cut.

### Rip Fence (KS701E and KS701PE only)

Ripping and circle cutting without a pencil line are easily done with a rip fence and circle guide (available as an optional extra - part number X43005-XJ).

### Attaching Rip Fence (figs. F & G)

- ◆ Insert rip fence (14) into the shoe plate slots with the cross bar facing down as shown in figure F.
- ◆ Place screw (15) into hole in bottom of shoe plate.
- ◆ Align clamp bar (16) over screw with lipped edge facing down and pointing towards the rear of the saw.
- ◆ Using a phillips screwdriver, run the screw into the threaded hole in the bar clamp as shown in figure G.
- ◆ Adjust to width of cut and tighten screw.

### Circle Cutting (fig. H - KS701E and KS701PE only)

- ◆ Insert rip fence into slot on the right side of shoe plate with cross bar facing up.
- ◆ Adjust rip fence so that distance from blade to hole in cross bar is the desired radius and tighten screw.
- ◆ Place saw so that centre of hole in cross bar is over centre of circle to be cut (make plunge cut, drill hole for blade or cut inward from edge of material to get blade into position).
- ◆ When saw is properly positioned, drive a small nail through hole in cross bar into exact centre of circle to be cut.
- ◆ Using rip fence as a pivot arm, begin cutting circle.

### Plunge Cutting (fig. I)

A plunge cut is an easy method of making an inside cut. The saw can be inserted directly into a panel or board without first drilling a lead or pilot hole. In plunge cutting, measure the surface to be cut and mark clearly with a pencil. Next tip

the saw forward until the front end of the shoe sits firmly on the work surface and the blade clears the work through its full stroke. Switch the tool on and allow it to attain maximum speed. Grip the saw firmly and lower the back edge of tool slowly until the blade reaches its complete depth. Hold the shoe flat against the wood and begin cutting. Do not remove blade from cut while it is still moving. Blade must come to a complete stop.

## Maintenance

Your BLACK+DECKER tool has been designed to operate over a long period of time with a minimum of maintenance. Continuous satisfactory operation depends upon proper tool care and regular cleaning.

- ◆ Regularly clean the ventilation slots in your tool using a soft brush or dry cloth.
- ◆ Regularly clean the motor housing using a damp cloth. Do not use any abrasive or solvent-based cleaner. Never let any liquid get inside the tool and never immerse any part of the tool into liquid.

## Mains plug replacement (U.K. & Ireland only)

If a new mains plug needs to be fitted:

- ◆ Safely dispose of the old plug.
- ◆ Connect the brown lead to the live terminal in the new plug.
- ◆ Connect the blue lead to the neutral terminal.

**Warning!** No connection is to be made to the earth terminal. Follow the fitting instructions supplied with good quality plugs. Recommended fuse: 5 A.

## Protecting the environment



Separate collection. Products and batteries marked with this symbol must not be disposed of with normal household waste.

Products and batteries contain materials that can be recovered or recycled reducing the demand for raw materials. Please recycle electrical products and batteries according to local provisions. Further information is available at [www.2helpU.com](http://www.2helpU.com)

## Technical data

		KS501 (Type 1)	KS701E (Type 1)	KS701PE (Type 1E)
Input voltage	V <sub>AC</sub>	230	230	230
Power input	W	400	520	520
No-load speed	Min <sup>-1</sup>	3,000	0-3,000	0-3,000
Max depth of cut				
Wood	mm	65	70	70
Steel	mm	5	5	5
Aluminium	mm	10	15	15
Weight	kg	1.3	1.6	1.7

### Level of sound pressure according to EN 62841:

Sound pressure (L<sub>pa</sub>) 89 dB(A), uncertainty (K) 5 dB(A)

Sound power (L<sub>wa</sub>) 100 dB(A), uncertainty (K) 5 dB(A)

### Vibration total values (triax vector sum) according to EN 62841:

Cutting chipboard (a<sub>h,B</sub>) 12.5 m/s<sup>2</sup>, uncertainty (K) 1.5 m/s<sup>2</sup>

Cutting sheet metal (a<sub>n,M</sub>) 12.6 m/s<sup>2</sup>, uncertainty (K) 1.5 m/s<sup>2</sup>

## EC declaration of conformity

MACHINERY DIRECTIVE



KS501, KS701E, KS701PE - Jig Saw

Black & Decker declares that these products described under "technical data" are in compliance with: EN62841-1:2015, EN62841-2-11:2016

These products also comply with directive 2006/42/EC, 2014/30/EU and 2011/65/EU.

For more information, please contact Black & Decker at the following address or refer to the back of the manual.

The undersigned is responsible for compilation of the technical file and makes this declaration on behalf of Black & Decker.

A. Smith  
Technical Director  
Black & Decker Europe, 210 Bath Road, Slough,  
Berkshire, SL1 3YD  
United Kingdom  
22/01/2019



## Guarantee

Black & Decker is confident of the quality of its products and offers consumers a 24 month guarantee from the date of purchase. This guarantee is in addition to and in no way prejudices your statutory rights. The guarantee is valid within the territories of the Member States of the European Union and the European Free Trade Area.

To claim on the guarantee, the claim must be in accordance with Black & Decker Terms and Conditions and you will need to submit proof of purchase to the seller or an authorised repair agent. Terms and conditions of the Black & Decker 2 year guarantee and the location of your nearest authorised repair agent can be obtained on the Internet at [www.2helpU.com](http://www.2helpU.com), or by contacting your local Black & Decker office at the address indicated in this manual.

Please visit our website [www.blackanddecker.co.uk](http://www.blackanddecker.co.uk) to register your new Black & Decker product and receive updates on new products and special offers.





---

<b>Australia</b>	Black & Decker (Australia) Pty. Ltd. 810 Whitehorse Road, Box Hill, Victoria, Australia 3128	Tel. Fax	03-8720 5100 03-9727 5940
<b>New Zealand</b>	Black & Decker 39 Business Parade North, East Tamaki Heights, Auckland 2013	Tel. Fax	+64 9 259 1133 +64 9 259 1122
<b>United Kingdom &amp; Republic Of Ireland</b> www.blackanddecker.co.uk emeaservice@sbdinc.com	Black & Decker 210 Bath Road Slough, Berkshire SL1 3YD	Tel. Fax	01753 511234 01753 512365

---

## Free Manuals Download Website

<http://myh66.com>

<http://usermanuals.us>

<http://www.somanuals.com>

<http://www.4manuals.cc>

<http://www.manual-lib.com>

<http://www.404manual.com>

<http://www.luxmanual.com>

<http://aubethermostatmanual.com>

Golf course search by state

<http://golfingnear.com>

Email search by domain

<http://emailbydomain.com>

Auto manuals search

<http://auto.somanuals.com>

TV manuals search

<http://tv.somanuals.com>