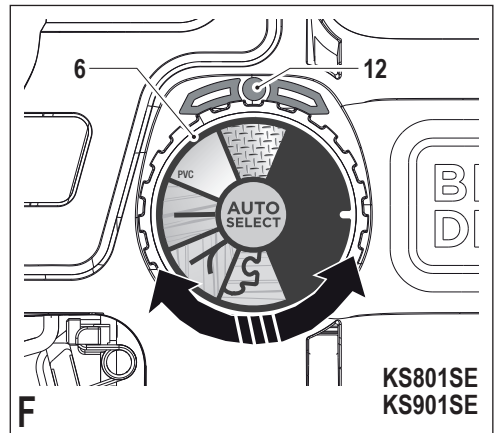
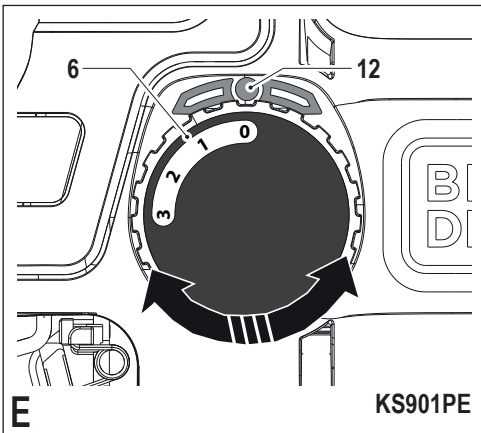
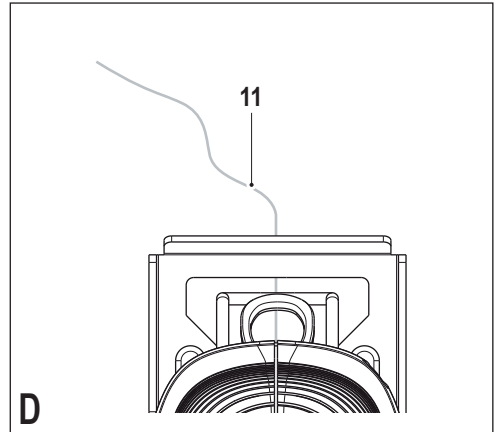
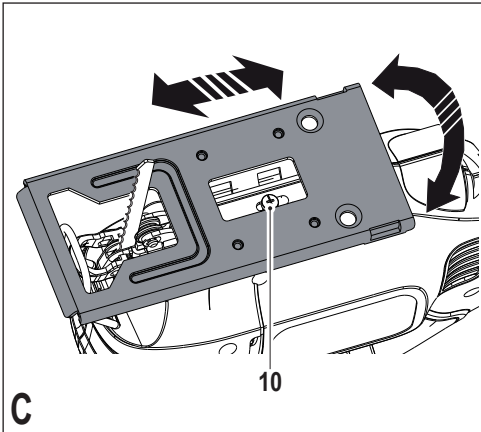
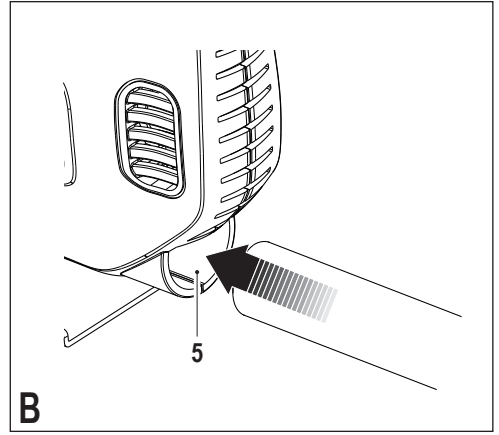
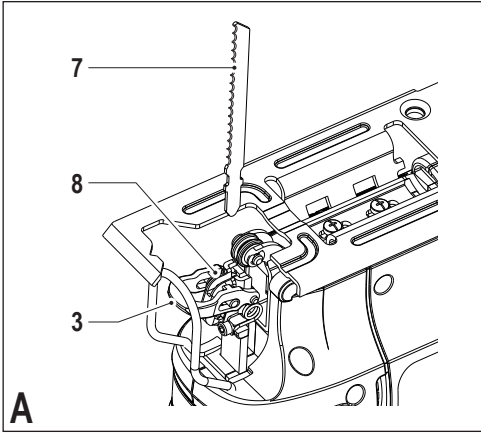
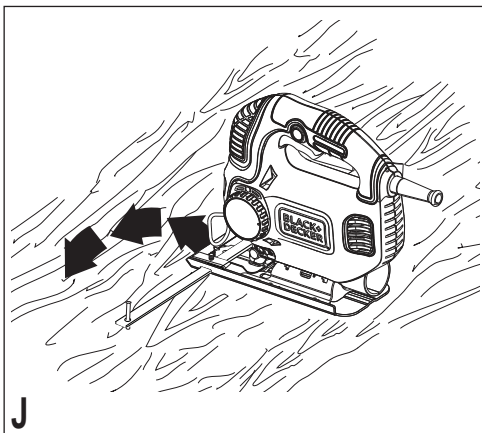
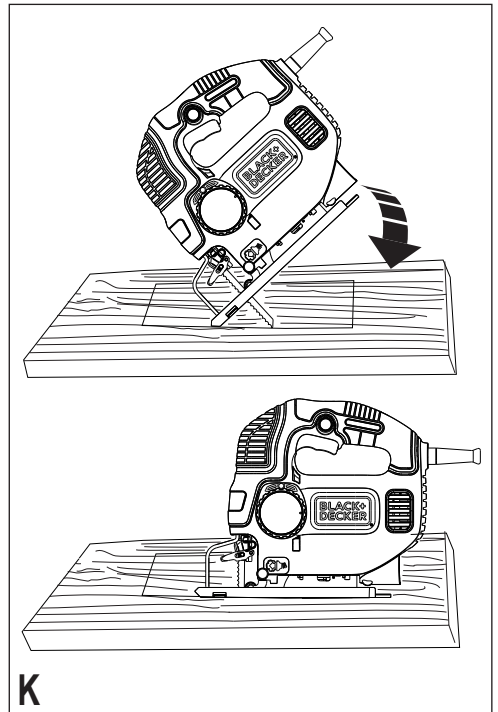
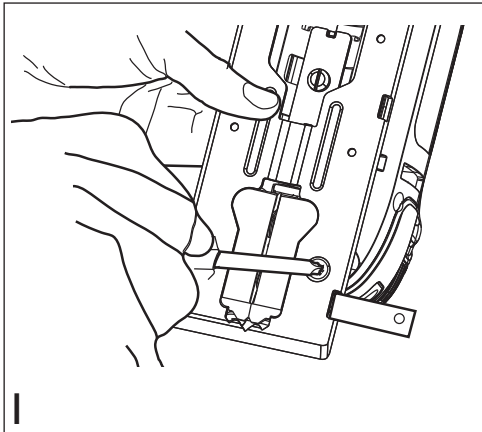
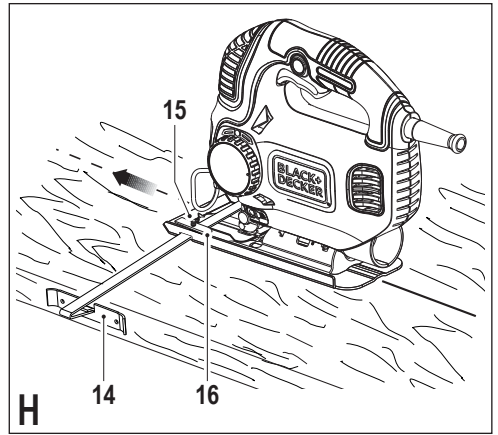
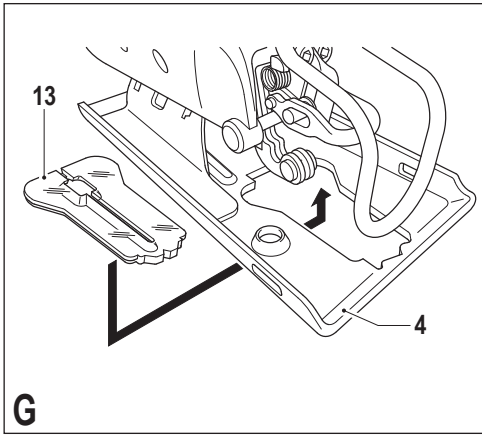


www.blackanddecker.com.au
www.blackanddecker.co.nz

KS801SE
KS901PE
KS901SE





Intended use

Your BLACK+DECKER jig saw has been designed for sawing wood, plastics and metal. This tool is intended for consumer use only.

Safety instructions

General power tool safety warnings



Warning! Read all safety warnings and all instructions. Failure to follow the warnings and instructions listed below may result in electric shock, fire and/or serious injury.

Save all warnings and instructions for future reference.

The term "power tool" in all of the warnings listed below refers to your mains operated (corded) power tool or battery operated (cordless) power tool.

1. Work area safety

- a. **Keep work area clean and well lit.** Cluttered or dark areas invite accidents.
- b. **Do not operate power tools in explosive atmospheres, such as in the presence of flammable liquids, gases or dust.** Power tools create sparks which may ignite the dust or fumes.
- c. **Keep children and bystanders away while operating a power tool.** Distractions can cause you to lose control.

2. Electrical safety

- a. **Power tool plugs must match the outlet. Never modify the plug in any way. Do not use any adapter plugs with earthed (grounded) power tools.** Unmodified plugs and matching outlets will reduce risk of electric shock.
- b. **Avoid body contact with earthed or grounded surfaces such as pipes, radiators, ranges and refrigerators.** There is an increased risk of electric shock if your body is earthed or grounded.
- c. **Do not expose power tools to rain or wet conditions.** Water entering a power tool will increase the risk of electric shock.
- d. **Do not abuse the cord. Never use the cord for carrying, pulling or unplugging the power tool. Keep cord away from heat, oil, sharp edges or moving parts.** Damaged or entangled cords increase the risk of electric shock.
- e. **When operating a power tool outdoors, use an extension cord suitable for outdoor use.** Use of a cord suitable for outdoor use reduces the risk of electric shock.
- f. **If operating a power tool in a damp location is unavoidable, use a residual current device (RCD) protected supply.** Use of an RCD reduces the risk of electric shock.

3. Personal safety

- a. **Stay alert, watch what you are doing and use common sense when operating a power tool. Do not use a power tool while you are tired or under the influence of drugs, alcohol or medication.** A moment of inattention while operating power tools may result in serious personal injury.
 - b. **Use personal protective equipment. Always wear eye protection.** Protective equipment such as dust mask, non-skid safety shoes, hard hat, or hearing protection used for appropriate conditions will reduce personal injuries.
 - c. **Prevent unintentional starting. Ensure the switch is in the off-position before connecting to power source and/or battery pack, picking up or carrying the tool.** Carrying power tools with your finger on the switch or energising power tools that have the switch on invites accidents.
 - d. **Remove any adjusting key or wrench before turning the power tool on.** A wrench or a key left attached to a rotating part of the power tool may result in personal injury.
 - e. **Do not overreach. Keep proper footing and balance at all times.** This enables better control of the power tool in unexpected situations.
 - f. **Dress properly. Do not wear loose clothing or jewellery. Keep your hair, clothing and gloves away from moving parts.** Loose clothes, jewellery or long hair can be caught in moving parts.
 - g. **If devices are provided for the connection of dust extraction and collection facilities, ensure these are connected and properly used.** Use of dust collection can reduce dust-related hazards.
- #### 4. Power tool use and care
- a. **Do not force the power tool. Use the correct power tool for your application.** The correct power tool will do the job better and safer at the rate for which it was designed.
 - b. **Do not use the power tool if the switch does not turn it on and off.** Any power tool that cannot be controlled with the switch is dangerous and must be repaired.
 - c. **Disconnect the plug from the power source and/or the battery pack from the power tool before making any adjustments, changing accessories, or storing power tools.** Such preventive safety measures reduce the risk of starting the power tool accidentally.
 - d. **Store idle power tools out of the reach of children and do not allow persons unfamiliar with the power tool or these instructions to operate the power tool.** Power tools are dangerous in the hands of untrained users.
 - e. **Maintain power tools. Check for misalignment or**

binding of moving parts, breakage of parts and any other condition that may affect the power tools operation. If damaged, have the power tool repaired before use. Many accidents are caused by poorly maintained power tools.

- f. **Keep cutting tools sharp and clean.** Properly maintained cutting tools with sharp cutting edges are less likely to bind and are easier to control.
 - g. **Use the power tool, accessories and tool bits etc. in accordance with these instructions, taking into account the working conditions and the work to be performed.** Use of the power tool for operations different from those intended could result in a hazardous situation.
5. **Service**
- a. **Have your power tool serviced by a qualified repair person using only identical replacement parts.** This will ensure that the safety of the power tool is maintained.
 - b. **Power to the tool should always be supplied via residual current device with a rated residual current of 30mA or less.**

Additional power tool safety warnings



Warning! Safety instructions for all saws

- ◆ **Hold power tool by insulated gripping surfaces, when performing an operation where the cutting accessory may contact hidden wiring.** Cutting accessory contacting a "live" wire may make exposed metal parts of the power tool "live" and could give the operator an electric shock.
- ◆ **Use clamps or another practical way to secure and support the workpiece to a stable platform.** Holding the work by hand or against your body leaves it unstable and may lead to loss of control.
- ◆ **Keep hands away from cutting area.** Never reach underneath the work piece any reason. Do not insert fingers or thumb into the vicinity of the reciprocating blade and blade clamp. Do not stabilize the saw by gripping the shoe.
- ◆ **Keep blades sharp.** Dull or damaged blades may cause the saw to swerve or stall under pressure. Always use the appropriate type of saw blade for the workpiece material and type of cut.
- ◆ **When cutting pipe or conduit, make sure that they are free from water, electrical wiring, etc.**
- ◆ **Do not touch the workpiece or the blade immediately after operating the tool.** They can become very hot.
- ◆ **Be aware of hidden hazards, before cutting into walls, floors or ceilings, check for the location of wiring and pipes.**

- ◆ **The blade will continue to move after releasing the switch.** Always switch the tool off and wait for the saw blade to come to a complete standstill before putting the tool down.

Warning! Contact with, or inhalation of dusts arising from cutting applications may endanger the health of the operator and possible bystanders. Wear a dust mask specifically designed for protection against dust and fumes and ensure that persons within or entering the work area are also protected.

- ◆ The intended use is described in this instruction manual. The use of any accessory or attachment or performance of any operation with this tool other than those recommended in this instruction manual may present a risk of personal injury and/or damage to property.

Safety of others

- ◆ This tool is not intended for use by persons (including children) with reduced physical, sensory or mental capabilities, or lack of experience and knowledge, unless they have been given supervision or instruction concerning use of the appliance by a person responsible for their safety.
- ◆ Children should be supervised to ensure that they do not play with the appliance.

Vibration

The declared vibration emission values stated in the technical data and the declaration of conformity have been measured in accordance with a standard test method provided by EN 60745 and may be used for comparing one tool with another. The declared vibration emission value may also be used in a preliminary assessment of exposure.

Warning! The vibration emission value during actual use of the power tool can differ from the declared value depending on the ways in which the tool is used. The vibration level may increase above the level stated.

When assessing vibration exposure to determine safety measures required by 2002/44/EC to protect persons regularly using power tools in employment, an estimation of vibration exposure should consider, the actual conditions of use and the way the tool is used, including taking account of all parts of the operating cycle such as the times when the tool is switched off and when it is running idle in addition to the trigger time.

Labels on tool

The following symbols are shown on the tool:



Warning! To reduce the risk of injury, the user must read the instruction manual.

Electrical safety



This tool is double insulated; therefore no earth wire is required. Always check that the power supply voltage corresponds to the voltage on the rating plate.

- ◆ If the supply cord is damaged, it must be replaced by the manufacturer or an authorised BLACK+DECKER Service Centre in order to avoid a hazard.

Features

This tool includes some or all of the following features.

1. Variable speed switch (KS901PE) or On/Off switch (KS801SE and KS901SE)
2. Lock-on button
3. Saw blade locking lever
4. Shoe plate
5. Dust extraction outlet
6. Pendulum stroke / AutoSelect dial

Assembly

Warning! Before attempting any of the following operations, make sure that the tool is switched off and unplugged and that the saw blade has stopped. Used saw blades may be hot.

Fitting the saw blade (fig. A)

- ◆ Hold the saw blade (7) as shown, with the teeth facing forward.
- ◆ Push the locking lever (3) away from the shoe plate (4).
- ◆ Insert the shank of the saw blade into the blade holder (8) as far as it will go.
- ◆ Release the locking lever (3).

Connecting a vacuum cleaner to the tool (fig. B)

- ◆ Slide the vacuum nozzle into the dust extraction outlet (5).

Residual risks

Additional residual risks may arise when using the tool which may not be included in the enclosed safety warnings. These risks can arise from misuse, prolonged use etc.

Even with the application of the relevant safety regulations and the implementation of safety devices, certain residual risks can not be avoided. These include:

- ◆ Injuries caused by touching any rotating/moving parts.
- ◆ Injuries caused when changing any parts, blades or accessories.
- ◆ Injuries caused by prolonged use of a tool. When using any tool for prolonged periods ensure you take regular breaks.
- ◆ Impairment of hearing.
- ◆ Health hazards caused by breathing dust developed when using your tool (example:- working with wood, especially oak, beech and MDF.)

Use

Adjusting the shoe plate for bevel cuts (fig. C)

Warning! Never use the tool when the shoe plate is loose or removed.

The shoe plate (4) can be set to a left or right bevel angle of 22.5° or 45°.

- ◆ Loosen the screw (10).
- ◆ Pull the shoe (4) forward, rotate the shoe to the left or right and push it back into the 22.5° or 45° location.
- ◆ Tighten the screw.

To reset the shoe plate (4) for 90° cuts:

- ◆ Loosen the screw (10).
- ◆ Pull the shoe (4) forward, rotate to the centre and push it back into the 0° location.
- ◆ Tighten the screw.

Variable speed control

- ◆ Use a high speed for wood, medium speed for aluminium and PVC and low speed for metals other than aluminium.

Switching on and off

- ◆ To switch the tool on, press the variable speed switch (1). On KS901PE units the speed depends on how far you depress the switch.
- ◆ For continuous operation, press the lock-on button (2) and press the variable speed switch. This option is available only at full speed.
- ◆ To switch the tool off, release the variable speed switch. To switch the tool off, when in continuous operation, press the variable speed switch once more and release it.

How to Use the Sightline® Feature (fig. D)

- ◆ Use a pencil to mark the cutting line.
- ◆ Position the jig saw over the line (11).

Viewing from directly above the jig saw, the line of cut can be followed easily.

Cutting mode

Pendulum stroke or action provides a more aggressive blade motion and is designed for cutting soft materials such as wood or plastic. It provides a faster cut, but with a less smooth cut across the material. Dependant on model, your jig saw will have either a Pendulum Stroke dial or an Auto Select dial to set the pendulum action. Use of these dials is explained in the next two sections.

Note: Never use pendulum action to cut metal.

Pendulum Stroke dial (fig. E - KS901PE only)

The KS901PE has these four cutting modes with increasing amounts of pendulum action:

- ◆ Position 0: metal and aluminium and sheet metal (no pendulum action).
- ◆ Position 1: for laminates, hard wood, work tops.
- ◆ Position 2: for plywood and PVC/Plastics.
- ◆ Position 3: for soft wood and fast cutting

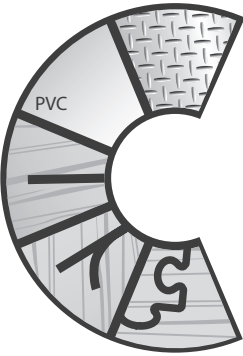





To adjust the pendulum action:

- ◆ Rotate the Pendulum Stroke dial (6) to the required position.

Auto Select™ dial (fig. F - KS801SE and KS901SE only)

The KS801SE and KS901SE are fitted with a unique Auto Select™ Dial (6) to set the speed and the pendulum action for various cutting applications.

To select the optimum speed and pendulum action for the type of material being cut, rotate the dial (6) as shown in the table below:

	Icon	Speed	Pendulum	Application
		Slow	No	Straight and curved cuts – sheet metal, tin plate, ceramic tiles and fibreglass sheet
		Medium	Medium / low	Straight and curved cuts – hardwood, decking, flooring, plastic, pexiglas and PVC
		Fast	Maximum	Straight cuts – general lumber and softwood
		Fast	Medium / low	Straight and curved cuts – plywood and wood panels
		Fast	No	Straight and curved cuts – countertops, laminate boards, scrolling, curves and craftwork

Sawing

Hold the tool firmly with both hands while cutting. The shoe plate (4) should be held firmly against the material being cut. This will help prevent the saw from jumping, reduce vibration and minimise blade breakage.

- ◆ Let the blade run freely for a few seconds before starting the cut.
- ◆ Apply only a gentle pressure to the tool while performing the cut.

Hints for optimum use

Straight Assist Blade

When you require a straight cut with extra precision, use the straight assist blade. The KS901SE/PE is supplied with this blade as standard and it can be purchased as an optional extra for use with the KS801SE (part number X21001-XJ).

Anti-Splinter Guard (fig. G - KS901SE only)

To minimise splintering, use the anti-splinter guard supplied with your product. This reduces the open area between the shoe and the blade without restricting your view of the cut line.

To fit the anti-splinter guard:

- ◆ Remove the blade (see figure A).
- ◆ Line up the anti-splinter guard (13) with the shoe plate (4) from underneath.
- ◆ Press down onto the shoe plate until the guard clicks in place.
- ◆ Replace the blade.

Sawing laminates

When cutting laminates, splintering may occur which can damage the presentation surface. The most common saw blades cut on the upward stroke, therefore if the shoe plate is sitting on the presentation surface either use a saw blade that cuts on the downward stroke or:

- ◆ Use a fine-tooth saw blade.
- ◆ Saw from the back surface of the workpiece.
- ◆ To minimise splintering, clamp a piece of scrap wood or hardboard to both sides of the workpiece and saw through this sandwich. Alternatively, fit the anti-splinter guard (13) that is supplied with your product. (KS901SE only).

Sawing metal

Warning! Do not use a vacuum when cutting metal. Metal filings will be hot and may cause fire.

Be aware that sawing metal takes much more time than sawing wood.

- ◆ Use a saw blade suitable for sawing metal.
- ◆ When cutting thin sheet metal, clamp a piece of scrap wood to both sides of the workpiece and cut through this sandwich.
- ◆ Spread a film of oil along the intended line of cut.

Rip Fence

Ripping and circle cutting without a pencil line are easily done with a rip fence and circle guide (available as an optional extra - part number X43005-XJ).

Attaching Rip Fence (figs. H & I)

- ◆ Insert rip fence (14) into the shoe plate slots with the cross bar facing down as shown in figure H.
- ◆ Place screw (15) into hole in bottom of shoe plate.
- ◆ Align clamp bar (16) over screw with lipped edge facing down and pointing towards the rear of the saw.
- ◆ Using a phillips screwdriver, run the screw into the threaded hole in the bar clamp as shown in figure I.
- ◆ Adjust to width of cut and tighten screw.

Circle Cutting (fig. J)

- ◆ Insert rip fence into slot on the right side of shoe plate with cross bar facing up.
- ◆ Adjust rip fence so that distance from blade to hole in cross bar is the desired radius and tighten screw.
- ◆ Place saw so that centre of hole in cross bar is over centre of circle to be cut (make plunge cut, drill hole for blade or cut inward from edge of material to get blade into position).
- ◆ When saw is properly positioned, drive a small nail through hole in cross bar into exact centre of circle to be cut.
- ◆ Using rip fence as a pivot arm, begin cutting circle.

Plunge Cutting (fig. K)

A plunge cut is an easy method of making an inside cut. The saw can be inserted directly into a panel or board without first drilling a lead or pilot hole. In plunge cutting, measure the surface to be cut and mark clearly with a pencil. Next tip the saw forward until the front end of the shoe sits firmly on the work

surface and the blade clears the work through its full stroke. Switch the tool on and allow it to attain maximum speed. Grip the saw firmly and lower the back edge of tool slowly until the blade reaches its complete depth. Hold the shoe flat against the wood and begin cutting. Do not remove blade from cut while it is still moving. Blade must come to a complete stop.

Maintenance

Your BLACK+DECKER tool has been designed to operate over a long period of time with a minimum of maintenance. Continuous satisfactory operation depends upon proper tool care and regular cleaning.

- ◆ Regularly clean the ventilation slots in your tool using a soft brush or dry cloth.
- ◆ Regularly clean the motor housing using a damp cloth. Do not use any abrasive or solvent-based cleaner. Never let any liquid get inside the tool and never immerse any part of the tool into liquid.

Protecting the environment



Separate collection. This product must not be disposed of with normal household waste.

Should you find one day that your BLACK+DECKER product needs replacement, or if it is of no further use to you, do not dispose of it with household waste. Make this product available for separate collection.



Separate collection of used products and packaging allows materials to be recycled and used again. Re-use of recycled materials helps prevent environmental pollution and reduces the demand for raw materials.

Local regulations may provide for separate collection of electrical products from the household, at municipal waste sites or by the retailer when you purchase a new product.

BLACK+DECKER provides a facility for the collection and recycling of BLACK+DECKER products once they have reached the end of their working life. To take advantage of this service please return your product to any authorised repair agent who will collect them on our behalf.

You can check the location of your nearest authorised repair agent by contacting your local BLACK+DECKER office at the address indicated in this manual. Alternatively, a list of authorised BLACK+DECKER repair agents and full details of our after-sales service and contacts are available on the Internet at: www.2helpU.com

Technical data

		KS801SE (Type 1)	
		KS901SE/PE (Type 1)	
Input voltage		V_{ac}	230
Power	(KS801SE)	W	550
	(KS901SE and KS901PE)	W	620
No-load speed	(KS801SE and KS901SE)	min^{-1}	1,500-3,000
	(KS901PE)	min^{-1}	0-3,000
Max depth of cut			
Wood	(KS801SE)	mm	80
	(KS901SE and KS901PE)	mm	90
Steel	(KS801SE)	mm	5
	(KS901SE and KS901PE)	mm	8
Aluminium		mm	15
Weight	(KS801SE)	kg	2.1
	(KS901SE and KS901PE)	kg	2.2

KS901PE

L_{pA} (sound pressure) 88 dB(A), Uncertainty (K) 3 dB(A)

L_{WA} (sound power) 99 dB(A), Uncertainty (K) 3 dB(A)

Vibration total values (triax vector sum) according to EN 60745:

Cutting boards ($a_{h,B}$) 12.3 m/s^2 , uncertainty (K) 1.5 m/s^2

Cutting sheet metal ($a_{h,M}$) 7.3 m/s^2 , uncertainty (K) 1.5 m/s^2

KS801SE

L_{pA} (sound pressure) 90 dB(A), Uncertainty (K) 3 dB(A)

L_{WA} (sound power) 101 dB(A), Uncertainty (K) 3 dB(A)

Vibration total values (triax vector sum) according to EN 60745:

Cutting boards ($a_{h,B}$) 5.6 m/s^2 , uncertainty (K) 1.5 m/s^2

Cutting sheet metal ($a_{h,M}$) 5.3 m/s^2 , uncertainty (K) 1.5 m/s^2

KS901SE

L_{pA} (sound pressure) 86 dB(A), Uncertainty (K) 3 dB(A)

L_{WA} (sound power) 97 dB(A), Uncertainty (K) 3 dB(A)

Vibration total values (triax vector sum) according to EN 60745:

Cutting boards ($a_{h,B}$) 5.0 m/s^2 , uncertainty (K) 1.5 m/s^2

Cutting sheet metal ($a_{h,M}$) 4.5 m/s^2 , uncertainty (K) 1.5 m/s^2

Australia & New Zealand

Stanley Black & Decker

82 Taryn Drive, Epping, VIC 3076 Australia

Tel. 1800 338 002 (Aust) or Tel. 0800 339 258 (NZ)

Free Manuals Download Website

<http://myh66.com>

<http://usermanuals.us>

<http://www.somanuals.com>

<http://www.4manuals.cc>

<http://www.manual-lib.com>

<http://www.404manual.com>

<http://www.luxmanual.com>

<http://aubethermostatmanual.com>

Golf course search by state

<http://golfingnear.com>

Email search by domain

<http://emailbydomain.com>

Auto manuals search

<http://auto.somanuals.com>

TV manuals search

<http://tv.somanuals.com>