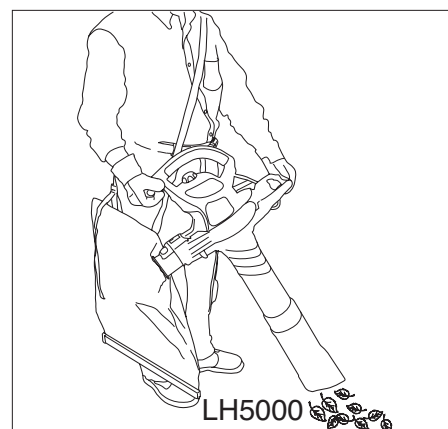
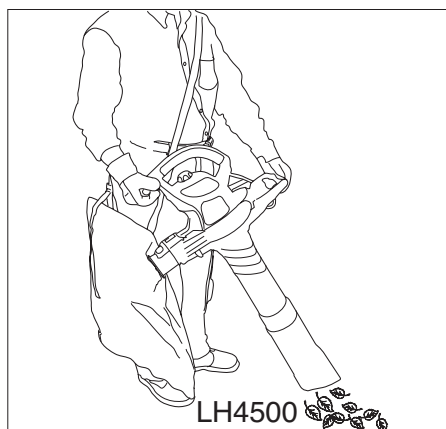
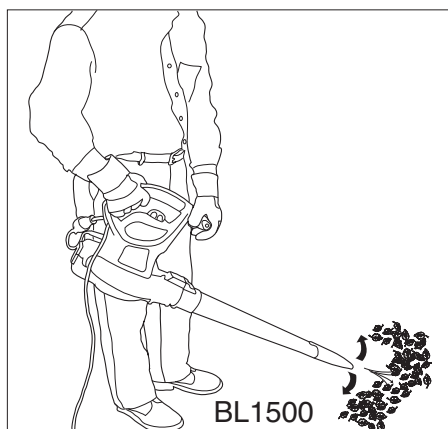




BLOWER AND BLOWER VACUUMS

INSTRUCTION MANUAL



THANK YOU FOR CHOOSING BLACK & DECKER!
GO TO WWW.BLACKANDDECKER.COM/NEWOWNER
TO REGISTER YOUR NEW PRODUCT.

**BEFORE RETURNING THIS PRODUCT
FOR ANY REASON PLEASE CALL
1-800-544-6986**

BEFORE YOU CALL, HAVE THE CATALOG No. AND DATE CODE AVAILABLE. IN MOST CASES, A

BLACK & DECKER REPRESENTATIVE CAN RESOLVE THE PROBLEM OVER THE PHONE. IF YOU HAVE A SUGGESTION OR COMMENT, GIVE US A CALL. YOUR
FEEDBACK IS VITAL TO BLACK & DECKER.

KEY INFORMATION YOU SHOULD KNOW:

- Before operating, make sure that either the blower or vacuum tube assembly is locked in place.

SAVE THIS MANUAL FOR FUTURE REFERENCE.

VEA EL ESPAÑOL EN LA CONTRAPORTADA.

INSTRUCTIVO DE OPERACIÓN, CENTROS DE SERVICIO Y PÓLIZA DE GARANTÍA.

⚠ **ADVERTENCIA:** LÉASE ESTE INSTRUCTIVO ANTES DE USAR EL PRODUCTO.

⚠ WARNING: Important Safety Warnings and Instructions

PLEASE READ AND UNDERSTAND ALL INSTRUCTIONS CAREFULLY BEFORE USING THE UNIT.

To Reduce Risk of Injury:

- Before any use, be sure everyone using this tool reads and understands all safety instructions and other information contained in this manual.
- Save these instructions and review frequently prior to use and in instructing others.

⚠ WARNING: When using electrical appliances, basic safety precautions should always be followed, including the following:

⚠ WARNING: Some dust created by this product contains chemicals known to the State of California to cause cancer, birth defects or other reproductive harm. Some examples of these chemicals are:

- compounds in fertilizers
- compounds in insecticides, herbicides and pesticides
- arsenic and chromium from chemically treated lumber

To reduce your exposure to these chemicals, wear approved safety equipment such as dust masks that are specially designed to filter out microscopic particles.

⚠ WARNING: This product contains chemicals, including lead, known to the State of California to cause cancer, and birth defects or other reproductive hands. **Wash hands after handling.**

⚠ CAUTION: Wear appropriate personal hearing protection during use. Under some conditions and duration of use, noise from this product may contribute to hearing loss.

SAFETY GUIDELINES - DEFINITIONS

It is important for you to read and understand this manual.

The information it contains relates to protecting YOUR SAFETY and PREVENTING PROBLEMS. The symbols below are used to help you recognize this information.

⚠ DANGER: Indicates an imminently hazardous situation which, if not avoided, will result in death or serious injury.

⚠ WARNING: Indicates a potentially hazardous situation which, if not avoided, could result in death or serious injury.

⚠ CAUTION: Indicates a potentially hazardous situation which, if not avoided, may result in minor or moderate injury.

CAUTION: Used without the safety alert symbol indicates a potentially hazardous situation which, if not avoided, may result in property damage.

READ ALL INSTRUCTIONS BEFORE USING BLOWER.

⚠ General Safety Warnings and Instructions for all Tools

- **READ** and follow all instructions.
- **DO NOT** place inlet or outlet of vacuum near eyes or ears when operating.
- **THIS APPLIANCE IS PROVIDED WITH DOUBLE INSULATION.** Use only identical replacement parts. See instructions for servicing of double insulated appliances.
- **STORE IDLE TOOLS.** When not in use, the unit should be stored in a dry, high or locked-up place - out of reach of children.
- **DON'T OVERREACH.** Keep proper footing and balance at all times.
- **DO NOT** pick up anything that is burning or smoking, such as cigarettes, matches or hot ashes.
- **MAINTAIN TOOL WITH CARE.** Keep fan area clean for best and safest performance. Follow instructions for proper maintenance.
- **DO NOT** attempt to repair the blower/vac. To assure product safety and reliability, repairs, maintenance, and adjustments should be performed by Black & Decker service centers or authorized service stations, always using Black & Decker replacement parts.
- **DO NOT** operate blower/vac in a gaseous or explosive atmosphere. Motors in these tools normally spark, and the sparks might ignite fumes.
- **DO NOT** use to pick up flammable or combustible liquids such as gasoline or use in areas where they may be present.
- **USE EXTRA CARE** when cleaning on stairs.
- **DO NOT** leave appliance when plugged in. Unplug from outlet when not in use and before servicing.
- **DO NOT** allow to be used as a toy. Close attention is necessary when used by or near children. Not recommended for use by children.
- **DO NOT** attempt to clear clogs from tool without first unplugging it.
- **USE ONLY** as described in this manual. Use only manufacturer's recommended attachments.
- **DO NOT** use with damaged cord or plug. If appliance is not working as it should, has been dropped, damaged, left outdoors, or dropped into water, return it to a service center.
- **DO NOT** pull or carry by cord, use cord as a handle, or pull cord around sharp edges or corners. Keep cord away from heated surfaces.
- **DO NOT** unplug by pulling on cord. To unplug, grasp the plug, not the cord.
- **DO NOT** put any objects into openings. Do not use with any opening blocked; keep free of dust, lint, hair and everything that may reduce air flow.
- **KEEP** hair, loose clothing, fingers, and all parts of body away from openings and moving parts.
- **TURN OFF** all controls before unplugging.
- **DO NOT** vacuum water, other liquids, or wet objects. Never immerse any part of the tool in liquid.
- **DO NOT** handle plug or appliance with wet hands.
- **KEEP CHILDREN, BYSTANDERS AND ANIMALS AWAY** from the work area a minimum of 30 feet (10 meters) when starting or operating the tool. Do not blow debris in directions of bystanders.
- **INSPECT THE AREA** before using the tool. Remove all debris and hard objects such as rocks, glass, wire, etc. that can ricochet, be thrown, or otherwise cause injury or damage during operation. As a vacuum, the tool is designed to pick up dry material such as leaves, grass, small twigs, and bits of paper. Do not vacuum stones, gravel, metal, broken glass, etc.
- **⚠ WARNING: Shock Hazard.** To reduce the risk of electrical shock; do not expose to rain, do not use on wet surfaces. Store indoors.
- **⚠ WARNING: Cut Hazard.** Turn off and unplug unit, then wait until fan stops or at least 10 seconds before removing the blower or vacuum tube assemblies.

SAVE THESE INSTRUCTIONS

Servicing of Double Insulated Appliances

Your Blower/Vac is double-insulated to give you added safety. In a double insulated appliance, two systems of insulation are provided instead of grounding. No grounding means is provided on a double insulated appliance, nor should a means for grounding be added to the appliance. Servicing a double insulated appliance requires extreme care and knowledge of the system and should be done only by qualified service personnel. Replacement parts for a double insulated appliance must be identical to the parts they replace. A double insulated appliance is marked with the words double insulated or "double insulation". The symbol (square within a square) may also be marked on the appliance.

⚠ Safety Rules and Instructions: Extension Cords

Double insulated tools have 2-wire cords and can be used with 2-wire or 3-wire extension cords. Only round jacketed extension cords should be used, and we recommend that they be listed by Underwriters Laboratories (U.L.) (C.S.A. in Canada). If the extension will be used outside, the cord must be suitable for outdoor use. Any cord marked as outdoor can also be used for indoor work.

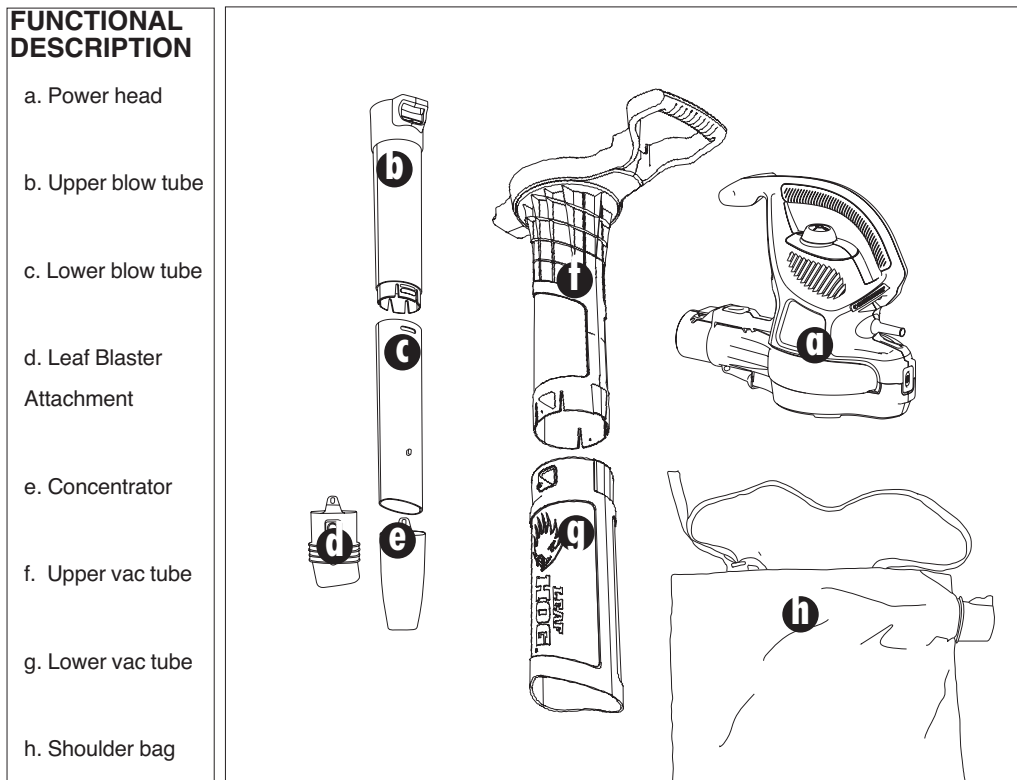
An extension cord must have adequate wire size (AWG or American Wire Gauge) for safety, and to prevent loss of power and overheating. The smaller the gauge number of the wire, the greater the capacity of the cable, that is 16 gauge has more capacity than 18 gauge. When using more than one extension to make up the total length, be sure each individual extension contains at least the minimum wire size. Before using an extension cord, inspect it for loose or exposed wires, damaged insulation, and defective fittings. Make any needed repairs or replace the cord if necessary.

To determine the minimum wire size required, refer to the chart:

Volts	Minimum Gauge for Cord Sets			
	Total Length of Cord in Feet			
120V	0-25	26-50	51-100	101-150
	(0-7,6m)	(7,6-15,2m)	(15,2-30,4m)	(30,4-45,7m)
240V	0-50	51-100	101-200	201-300
	(0-15,2m)	(15,2-30,4m)	(30,4-60,9m)	(60,9-91,4m)
Ampere Rating		American Wire Gauge		
More Than	Not more Than			
0	- 6	18	16	14
6	- 10	18	16	14
10	- 12	16	16	14
12	- 16	14	12	Not Recommended

⚠ Safety Rules and Instructions: Polarized Plug

To reduce the risk of electric shock, this equipment has a polarized plug (one blade is wider than the other). This equipment must be used with a suitable polarized 2 wire or 3 wire extension cord. Polarized connections will fit together only one way. Make sure that the receptacle end of the extension cord has large and small blade slot widths. If the plug does not fit fully into the extension cord, reverse the plug. If it still does not fit, obtain a suitable extension cord. If the extension cord does not fit fully into the outlet, contact a qualified electrician to install the proper outlet. Do not change the tool plug or extension cord in any way.

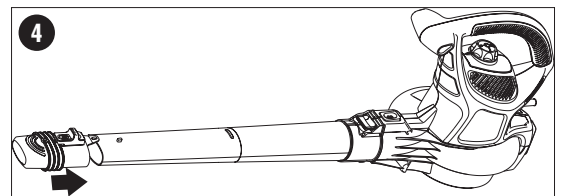
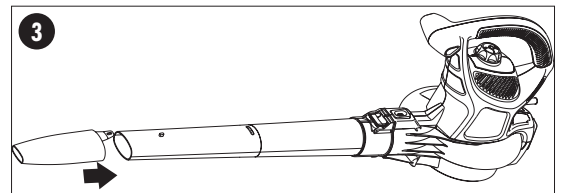
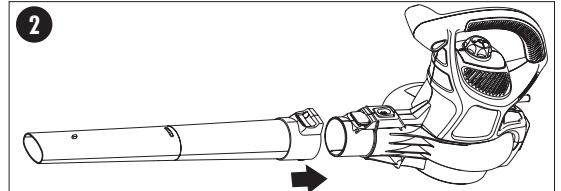
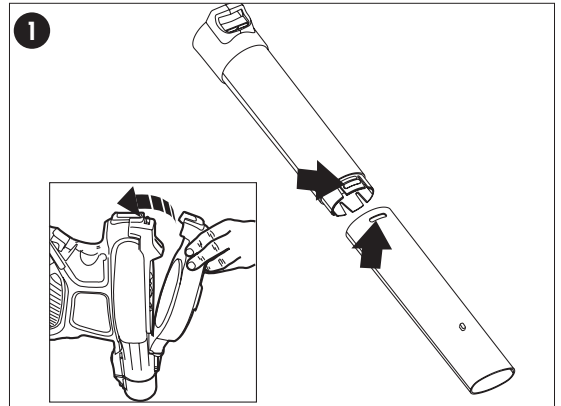


ASSEMBLY FOR BLOW MODE

⚠ WARNING: Before attempting any of the assembly steps below, ensure product is switched off and disconnected from the power supply.

BLOW TUBE ASSEMBLY (FIGURES 1-4)

- Ensure grill cover is attached to the power head. If not, attach cover as shown in the inset of **figure 1**. **NOTE:** Unit will not operate in blow mode without grill cover in place. Align the upper and lower tubes as shown in **figure 1**.
- Push the lower tube firmly into the upper tube, until the tubes click into place.
- Blow tubes must be assembled to the power head before use.
- Never operate without both lower and upper tubes assembled.
- In the interest of safety, it is not intended for the tubes to be separated once assembled.
- Push the tube assembly onto the power head until it is in the fully locked position (**figure 2**).

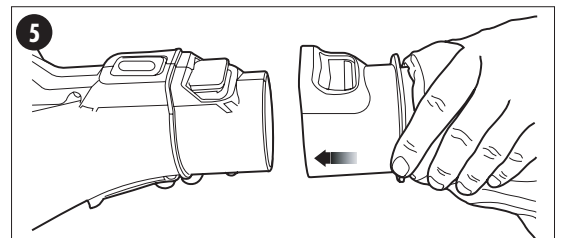


- Use the air concentrator attachment to target air flow to a tighter area. Add the attachment to the assembly as shown in **figure 3**. Push on until hole in tab engages raised post on tube.
- Use the leaf blaster attachment to rapidly move air back and forth to remove stubborn debris from grassy areas. Add the tube to the assembly as shown in **figure 4**. Push on until hole in tab engages raised post on tube. To lock the leaf blaster attachment and reduce the back and forth motion, push forward on the locking tab.

ASSEMBLY FOR VACUUM MODE

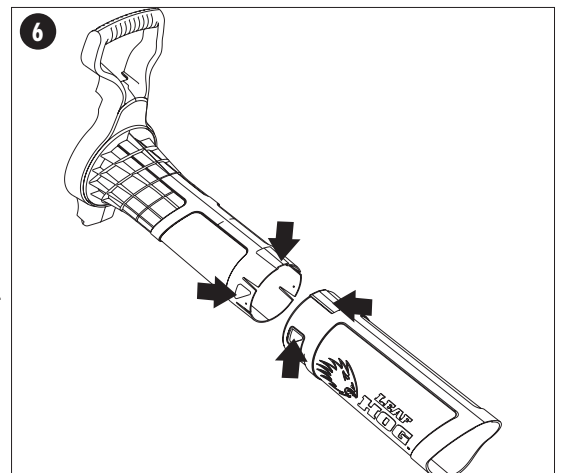
SHOULDER COLLECTION BAG (FIGURE 5)

- Attach the shoulder collection bag to the power head as shown in **figure 5**.

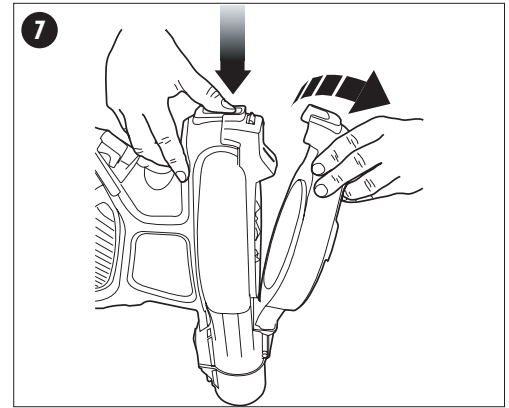


VACUUM TUBE ASSEMBLY (FIGURES 6, 7, 8)

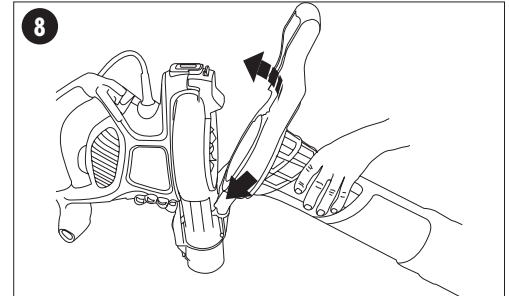
- Vacuum tubes must be assembled together before use.
- Align the notches and the triangles on upper and lower tubes. (**figure 6**)
- Push the lower tube firmly into the upper tube, until the triangles click into place. (Never operate apart).
- In the interest of safety, it is not intended for the tubes to be separated once assembled.



- Remove the fan cover from the bottom of the power head by pressing the spring loaded release button (located on the back of the power head) and pulling the cover off (**figure 7**).

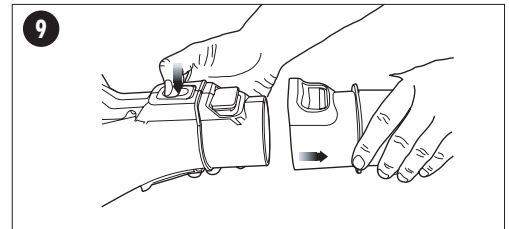


- Attach the vacuum tube assembly to the power head (**figure 8**) by locating the assembly as indicated by arrow, then pivot about this point until the locking/release catch is fully engaged.



REMOVING BLOW TUBE, VAC TUBE OR COLLECTION BAG (FIGURE 7 & 9)

- To remove the blow tube, vac tube or shoulder collection bag, depress the release button on the power head and pull straight off (**figure 7 & 9**).



OPERATION

USE AS A BLOWER:

ALWAYS WEAR SAFETY GLASSES. WEAR A FILTER MASK IF THE OPERATION IS DUSTY. USE OF RUBBER GLOVES AND SUBSTANTIAL FOOTWEAR IS RECOMMENDED WHEN WORKING OUTDOORS. FOR HOUSEHOLD USE ONLY.

⚠ WARNING: CUT HAZARD. When turning the tool off for tube installation or any other reason, wait 10 seconds for the fan to stop rotating before disassembly.

- Do not use in vacuum mode without the vacuum tubes and collection bag in place.
- Always switch off and remove the plug from the electrical supply when:
 - Changing from blower to vacuum.
 - The power supply cord has become damaged or entangled.
 - You leave blower/vac unattended.
 - Clearing a blockage.
 - Checking, adjusting, cleaning or working on blower/vac.
- Use blower/vac only in daylight or good artificial light.

ON/OFF SWITCH (FIGURE 10)

MODEL LH5000

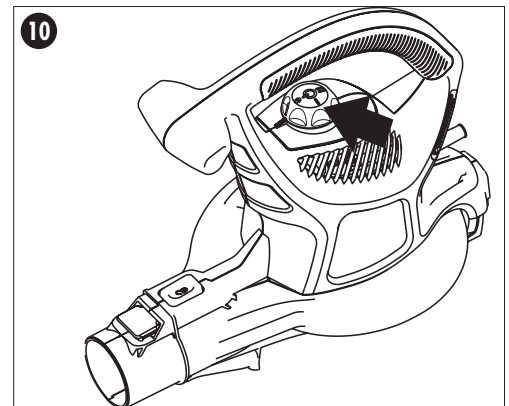
Your blower vac is fitted with a variable speed switch located on the top of the power head below the handle.

- To turn the tool ON, rotate the knob clockwise. The further the knob is rotated, the higher the air speed.
- To turn tool OFF, rotate the knob counterclockwise to the off position (0).

MODEL LH4500

Your blower vac is fitted with a two speed switch located on the top of the power head below the handle.

- To use in low speed, rotate the knob clockwise to Position I. To use in high speed, rotate the knob clockwise to Position II.
- To turn tool OFF, rotate the knob counterclockwise to the off position (0).



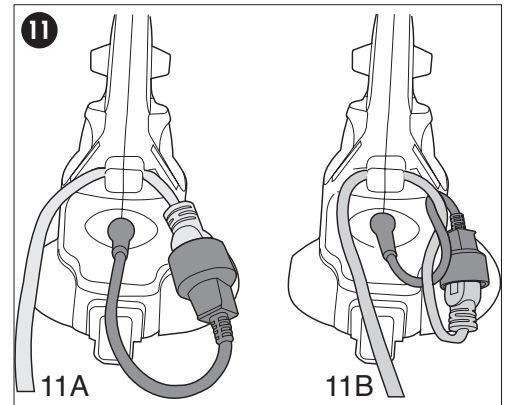
MODEL BL1500

Your blower is fitted with a single speed switch located on the top of the power head below the handle.

- To turn the tool ON, rotate the knob clockwise to Position I.
- To turn tool OFF, rotate the knob counterclockwise to the off position (0).

CORD RETAINER (FIGURE 11)

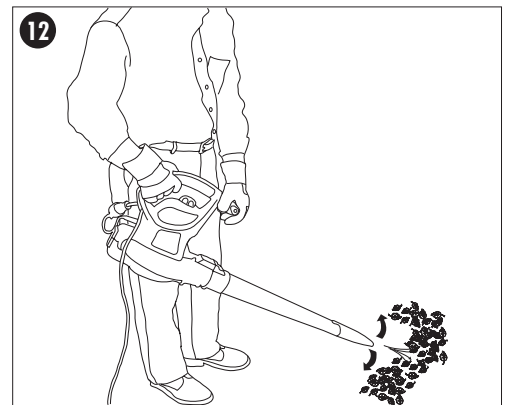
- A cord retainer is incorporated into the rear of the power head. It can be used in two different ways:
- To use the cord retainer as shown in **figure 11A**, hook the extension cord under the retainer. Then plug the cord from the power head into the extension cord.
- To use the cord retainer as shown in **figure 11B**, loop the extension cord over the power head cord and plug the two ends into each other. Then hook the extension cord under the retainer.



BLOW MODE (FIGURE 12)

⚠ WARNING: Ensure product is switched off and disconnected from the power supply.

- Fit grill cover as shown in **figure 1**.
- Attach the blow tube assembly to the power head as shown in **figure 2**.
- Connect the cord on the power head to the power supply (**figure 11**).
- Hold the blow tube approximately 7 inches (180mm) above the ground, turn the blower/vac on and using a sweeping motion from side to side, advance slowly keeping the accumulated debris/leaves in front of you.
- Once you have blown the debris/leaves into a pile, you can convert to vacuum mode to collect the debris.
- Using the air concentrator will help remove matted debris and leaves.
- Using the leaf blaster attachment will help move air back and forth to remove stubborn debris from grassy areas.



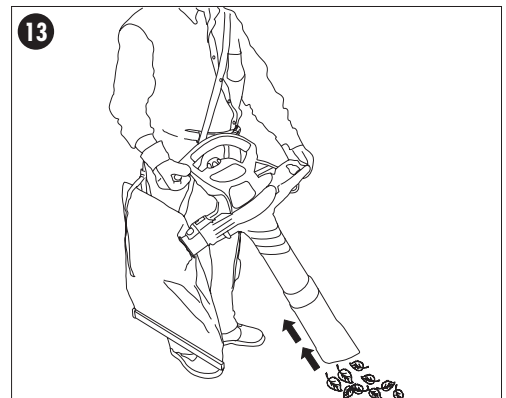
VACUUM MODE (FIGURE 13) MODELS (LH4500, LH5000 ONLY)

USE AS A VACUUM:

⚠ WARNING: Ensure product is switched off and disconnected from the power supply.

To fit the shoulder collection bag to product:

- Remove blow tube.
- Attach the shoulder collection bag to the power head as shown in **figure 5**.
- Remove the fan cover from the bottom of the power head by pressing the spring loaded release button (located on the back of the power head) and pulling the cover off (**figure 7**).
- Attach the vacuum tube assembly to the power head (**figure 8**) by locating the assembly as indicated by arrow, then pivot about this point until the locking/release catch is fully engaged.
- Connect the cord on the power head to the power supply (**figure 11**).
- Position the tube slightly above the debris/leaves. Turn the blower/vac on, then using a sweeping motion the debris/leaves will be sucked up the tube, mulched and deposited into the collection bag (**figure 13**).



As the bag fills the power of the suction will decrease, turn the blower/vac off and unplug from power supply.

FOR LH5000 BAG:

- Empty the shoulder collection bag by sliding the retaining bar off the bottom of the bag as shown in **figure 14**.

⚠ CAUTION: NEVER REMOVE THE COLLECTION BAG WITHOUT FIRST TURNING OFF AND UNPLUGGING THE VACUUM.

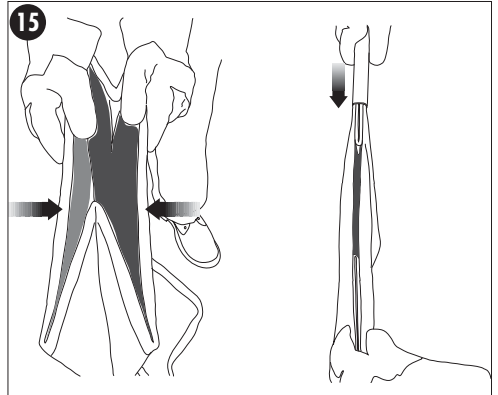
NOTE: If the suction decreases and the bag is not full, the vacuum tube is probably clogged with debris. Turn off and unplug the blower/vac and clear the tube before continuing.



- To reattach the retaining bar, close the bottom of the shoulder bag by folding the bi-folds flat as shown in **figure 15**. Slide the retaining bar over the closed bag.

FOR LH4500 BAG:

As the bag fills the power of the suction will decrease, switch off your product and unplug from power supply. Unzip the bag to empty before continuing to operate.



MAINTENANCE

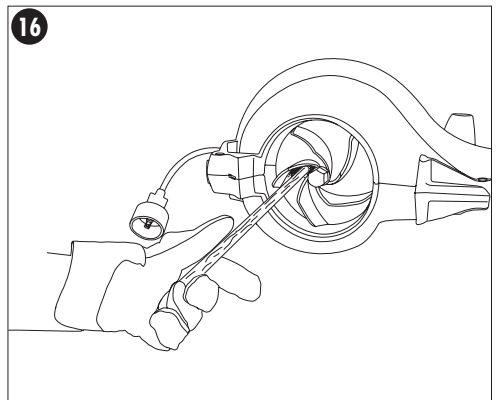
• CLEANING AND STORAGE

TURN OFF AND UNPLUG TOOL! (Unplug extension cord at power source.)

Use only mild soap and a damp cloth to clean the tool. Never let any liquid get inside the tool; never immerse any part of the tool into a liquid. Clean out any clippings which may have accumulated in the Blower/Vac. When used properly with dry leaves the fan chamber of your Blower/Vac should remain clean. If damp earth and debris are ingested some of the particles may build up on the inside of the fan chamber. If this happens the performance of the unit will decrease. This area can be cleaned out using a wooden stick as shown in **figure 16** after disconnecting from the power source. Your Blower/Vac should be stored in a dry place.

⚠ WARNING: SHOCK HAZARD. DO NOT POUR OR SPRAY WATER ON THE TOOL IN AN ATTEMPT TO CLEAN.

Do not store the tool on or adjacent to fertilizers or chemicals. Such storage can cause rapid corrosion of the metal parts.



Important

To assure product **SAFETY** and **RELIABILITY**; repairs, maintenance and adjustments (other than those listed in this manual) should be performed by authorized service centers or other qualified service organizations, always using identical replacement parts.

SERVICE INFORMATION

All Black & Decker Service Centers are staffed with trained personnel to provide customers with efficient and reliable power tool service. Whether you need technical advice, repair, or genuine factory replacement parts, contact the Black & Decker location nearest you. To find your local service location, refer to the yellow page directory under "Tools—Electric" or call:

1-800-544-6986 or visit **www.blackanddecker.com**

FULL TWO-YEAR HOME USE WARRANTY

Black & Decker (U.S.) Inc. warrants this product for two years against any defects in material or workmanship. The defective product will be replaced or repaired at no charge in either of two ways.

The first, which will result in exchanges only, is to return the product to the retailer from whom it was purchased (provided that the store is a participating retailer). Returns should be made within the time period of the retailer's policy for exchanges (usually 30 to 90 days after the sale). Proof of purchase may be required. Please check with the retailer for their specific return policy regarding returns that are beyond the time set for exchanges.

The second option is to take or send the product (prepaid) to a Black & Decker owned or authorized Service Center for repair or replacement at your option. Proof of purchase may be required. Black & Decker owned and authorized Service Centers are listed under "Tools-Electric" in the yellow pages of the phone directory.

This warranty does not apply to accessories. This warranty gives you specific legal rights and you may have other rights which vary from state to state or province to province. Should you have any questions, contact the manager of your nearest Black & Decker Service Center. This product is not intended for commercial use.

FREE WARNING LABEL REPLACEMENT: If your warning labels become illegible or are missing, call **1-800-544-6986** for a free replacement.

TROUBLESHOOTING

Problem

- Unit will not start.
- Unit jammed or clogged.

Possible Cause

- Fan cover or vac tube not installed.
- Cord not plugged in.
- Circuit fuse is blown.
- Circuit breaker is tripped.
- Cord or switch is damaged.
- Debris blocking inlet/outlet or fan.

Possible Solution

- Install fan cover for blow mode or vac tube for vac mode.
- Plug tool into a working outlet.
- Replace circuit fuse.
(If the product repeatedly causes the circuit fuse to blow, discontinue use immediately and have it serviced at a Black & Decker service center or authorized servicer.)
- Reset circuit breaker.
(If the product repeatedly causes the circuit breaker to trip, discontinue use immediately and have it serviced at a Black & Decker service center or authorized servicer.)
- Have cord or switch replaced at Black & Decker Service Center or Authorized Servicer.
- Unplug power cord. Remove vac tube. Refer to "Cleaning and Storage Section - Maintenance".

For assistance with your product, visit our website **www.blackanddecker.com** for the location of the service center nearest you or call the BLACK & DECKER help line at **1-800-544-6986**.

Imported by
Black & Decker (U.S.) Inc.,
701 E. Joppa Rd.
Towson, MD 21286 U.S.A.



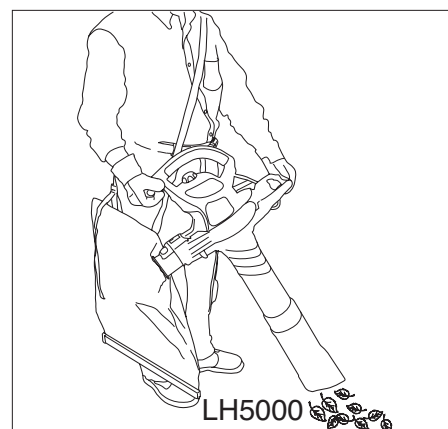
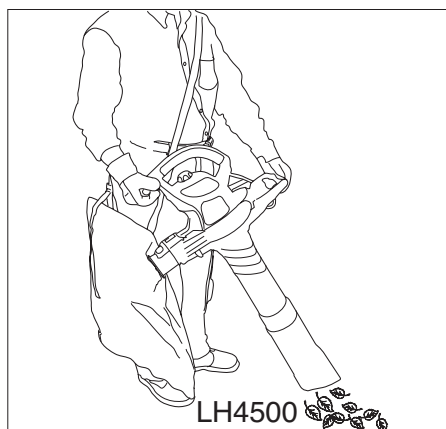
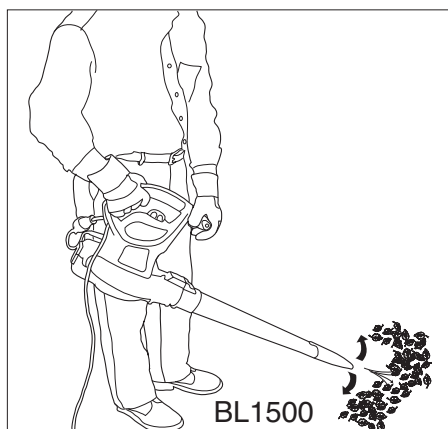
See 'Tools-Electric'
– Yellow Pages –
for Service & Sales





SOUFFLEURS ET ASPIRATEURS-SOUFFLEURS

MODE D'EMPLOI



MERCI D'AVOIR CHOISI BLACK & DECKER !
VISITEZ WWW.BLACKANDDECKER.COM/NEWOWNER
POUR ENREGISTRER VOTRE NOUVEAU PRODUIT.

**AVANT DE RETOURNER CE PRODUIT POUR QUELQUE RAISON QUE CE SOIT,
COMPOSER LE
1-800-544-6986**

AVANT D'APPELER, AYEZ EN MAIN LE N° DE CATALOGUE ET LE CODE DE DATE. DANS LA PLUPART DES CAS, UN REPRÉSENTANT DE BLACK & DECKER PEUT
RÉSoudre LE PROBLÈME PAR
TÉLÉPHONE. SI VOUS AVEZ UNE SUGGESTION OU UN COMMENTAIRE, APPELEZ-NOUS. VOS
IMPRESSIONS SONT CRUCIALES POUR BLACK & DECKER.

RENSEIGNEMENTS IMPORTANTS

• Avant de faire fonctionner l'outil, s'assurer que la souffleuse ou l'assemblage du tube d'aspiration soit bien enclenché.

CONSERVER CE MANUEL POUR UN USAGE ULTÉRIEUR.

⚠ Avertissement : Importantes Mesures de Sécurité

LIRE ET COMPRENDRE TOUTES LES DIRECTIVES AVANT D'UTILISER L'OUTIL.

AFIN DE RÉDUIRE LES RISQUES DE BLESSURES

- Avant toute utilisation, s'assurer que tous ceux qui se servent de l'outil lisent et comprennent toutes les mesures de sécurité et tout autre renseignement contenus dans le présent guide.
- Conserver ces mesures et les relire fréquemment avant d'utiliser l'outil ou d'en expliquer le fonctionnement à d'autres personnes.

⚠ **AVERTISSEMENT** : Lorsqu'on utilise des outils électriques, il faut toujours respecter les mesures de sécurité suivantes.

⚠ **AVERTISSEMENT** : Le produit génère de la poussière qui peut renfermer des produits chimiques. Selon l'état de la Californie, ces produits chimiques peuvent causer le cancer ainsi que des malformations congénitales, et ils présentent d'autres dangers au système reproductif humain. Voici des exemples de tels produits chimiques :

- les composés d'engrais;
- les composés d'insecticides, d'herbicides et de pesticides;
- l'arsenic et le chrome provenant de bois traité.

Afin de minimiser les risques, porter de l'équipement de sécurité approuvé comme des masques antipoussières spécialement conçu pour filtrer les particules microscopiques.

⚠ **AVERTISSEMENT** : Le produit renferme des produits chimiques, dont du plomb. Selon l'état de la Californie, ce produit chimique peut causer le cancer ainsi que des malformations congénitales, et il présente d'autres dangers au système reproductif humain. **Se laver les mains après l'utilisation.**

⚠ **MISE EN GARDE** : Porter un dispositif approprié de protection de l'ouïe lors de l'utilisation du produit. Dans certaines conditions et durées d'utilisation, le produit peut émettre un niveau de bruit provoquant la perte de l'ouïe.

LIGNES DIRECTRICES EN MATIÈRE DE SÉCURITÉ - DÉFINITIONS

Il est important que vous lisiez et compreniez ce mode d'emploi. Les informations qu'il contient concernent VOTRE SÉCURITÉ et visent à ÉVITER TOUT PROBLÈME. Les symboles ci-dessous servent à vous aider à reconnaître cette information.

⚠ **DANGER** : Indique une situation dangereuse imminente qui, si elle n'est pas évitée, causera la mort ou des graves blessures.

⚠ **AVERTISSEMENT** : Indique une situation potentiellement dangereuse qui, si elle n'est pas évitée, pourrait causer la mort ou de graves blessures.

⚠ **MISE EN GARDE** : Indique une situation potentiellement dangereuse qui, si elle n'est pas évitée, pourrait causer des blessures mineures ou modérées.

MISE EN GARDE : Utilisé sans le symbole d'alerte à la sécurité, indique une situation potentiellement dangereuse qui, si elle n'est pas évitée, peut résulter en des dommages à la propriété.

LIRE TOUTES LES DIRECTIVES AVANT D'UTILISER L'OUTIL.

⚠ Mesures de sécurité pour tous les outils

- **LIRE** et respecter toutes les mesures de sécurité.
- **NE PAS** porter l'entrée ou la sortie du tube de l'aspirateur à proximité des yeux ou des oreilles lorsque l'outil fonctionne.
- **L'OUTIL EST MUNI D'UNE DOUBLE ISOLATION.** Utiliser seulement des pièces de rechange identiques. Voir les directives sur l'entretien des outils à double isolation.
- **RANGER LES OUTILS NON UTILISÉS** dans un endroit sec, situé en hauteur ou fermé à clé, hors de portée des enfants.
- **NE PAS DÉPASSER SA PORTÉE.** Toujours demeurer dans une position stable et garder son équilibre en tout temps.
- **NE PAS** aspirer d'objets en combustion tels les mégots de cigarette, des allumettes ou des cendres chaudes.
- **BIEN ENTREtenir L'OUTIL.** Garder le ventilateur propre afin d'optimiser et de sécuriser le rendement. Suivre les directives d'entretien.
- **NE PAS** tenter de réparer l'outil. Pour garantir la sécurité et la fiabilité du produit, en confier les réparations, l'entretien et les réglages à un centre de service Black & Decker ou à un atelier d'entretien autorisé utilisant uniquement des pièces de rechange Black & Decker.
- **NE PAS** utiliser l'outil dans des endroits où l'atmosphère renferme des vapeurs combustibles ou explosives. Les étincelles que produit habituellement le moteur en marche pourraient enflammer ces produits.
- **NE PAS** se servir de l'outil pour ramasser des liquides inflammables ou combustibles (comme de l'essence) ni l'utiliser dans des endroits où de tels produits peuvent se trouver.
- **FAIRE TRÈS ATTENTION** lorsqu'on travaille dans des escaliers.
- **NE PAS** laisser l'outil branché sans surveillance. Le débrancher lorsqu'on ne s'en sert pas et avant d'en faire l'entretien.
- **IL NE S'AGIT PAS** d'un jouet. Faire particulièrement attention lorsqu'un enfant utilise l'outil ou qu'on s'en sert près d'un enfant. Il est déconseillé de laisser un enfant se servir de l'outil.
- **NE PAS** tenter de débloquent l'outil avant de le débrancher.
- **UTILISER SEULEMENT L'OUTIL** de la manière prescrite dans le présent guide. Utiliser uniquement les accessoires recommandés par le fabricant.
- **NE PAS** utiliser lorsque le cordon ou la fiche sont endommagés. Confier l'outil à un centre de service lorsqu'il ne fonctionne pas convenablement, lorsqu'il est tombé ou endommagé, lorsqu'il a été laissé à l'extérieur ou lorsqu'il est tombé à l'eau.
- **NE PAS** tirer sur le cordon ni se servir du cordon pour transporter l'outil. Ne pas tirer sur le cordon près d'arêtes tranchantes ou de coins. Éloigner le cordon de toute surface chauffée.
- **NE PAS** débrancher l'outil en tirant sur le cordon. Pour le débrancher, en saisir la fiche et non le cordon.
- **NE RIEN** insérer dans les ouvertures. Ne pas utiliser l'outil lorsqu'une ouverture est bouchée; garder les ouvertures exemptes de poussière, de charpie, de cheveux et de tout ce qui peut réduire le débit d'air.
- **ÉLOIGNER** les cheveux, les vêtements amples, les doigts et le corps des ouvertures ainsi que des pièces mobiles.
- **METTRE TOUTES LES COMMANDES HORS FONCTION** avant de débrancher l'outil.
- **NE PAS** aspirer d'eau, d'autres liquides ou des objets mouillés. Ne jamais immerger l'outil, au complet ou en partie.
- **NE PAS** manipuler la fiche ni l'outil avec les mains mouillées.
- **S'ASSURER QUE LES ENFANTS, LES OBSERVATEURS ET LES ANIMAUX se trouvent à une distance** minimale de 10 mètres (30 pieds) de la surface de travail lorsqu'on démarre l'outil ou qu'on s'en sert.
- **EXAMINER LA ZONE** avant d'utiliser l'outil. Enlever tout débris ou objet dur (comme des pierres, du verre, des fils) qui peut ricocher, être éjecté ou provoquer des blessures ou des dommages lors de l'utilisation de l'outil. Lorsqu'on se sert de l'outil pour aspirer, celui-ci est conçu pour ramasser des matériaux secs (comme des feuilles, de l'herbe, de petites branches et des bouts de papier). Ne pas aspirer des roches, du gravier, du métal, du verre cassé ou d'autres objets semblables.

⚠ **AVERTISSEMENT : RISQUE DE CHOC ÉLECTRIQUE.** Afin de minimiser les risques de secousses électriques, protéger de la pluie, ne pas s'en servir sur des surfaces mouillées et ranger à l'intérieur.

⚠ **AVERTISSEMENT : RISQUE DE COUPURE.** Arrêter et débrancher l'appareil. Attendre au moins 10 secondes ou jusqu'à ce que le ventilateur s'arrête complètement avant de retirer l'assemblage de la souffleuse ou du tube d'aspiration.

CONSERVER CES MESURES.

Entretien des outils à double isolation

La souffleuse-aspirateur à double isolation procure une protection supplémentaire. Dans ce type d'outil, les deux systèmes d'isolant remplacent la mise à la terre. Il n'y a aucun moyen de mettre l'outil à la terre et aucun système de mise à la terre ne doit être ajouté à l'outil. L'entretien d'un outil à double isolation exige beaucoup de soin et une excellente connaissance du système; il ne devrait être confié qu'à un technicien compétent. Les pièces de rechange de ce type d'outil doivent être identiques aux pièces d'origine. Un outil à double isolation porte l'inscription «DOUBLE INSULATED» ou «DOUBLE INSULATION». Le symbole (un carré à l'intérieur d'un carré) peut aussi figurer sur l'outil.

⚠ Mesures de sécurité : cordons de rallonge

Les outils à double isolation sont munis d'un cordon bifilaire et ils peuvent être utilisés avec un cordon de rallonge muni de 2 ou de 3 fils. Il faut seulement utiliser des cordons de rallonge à gaine ronde et ils devraient être homologués par l'organisme américain *Underwriters Laboratories* (U.L.) ou la CSA (au Canada). Lorsque le cordon de rallonge est utilisé à l'extérieur, il doit être prévu à cet effet. Tout cordon extérieur peut servir à l'intérieur.

Les cordons de rallonge doivent être faits de conducteurs de calibre approprié (AWG ou calibre moyen de fil) par mesure de sécurité et afin de prévenir les pertes de puissance et les surchauffes. Le numéro de calibre du fil est inversement proportionnel à la capacité du cordon. Ainsi, un cordon de calibre 16 a une capacité supérieure à un cordon de calibre 18. Lorsqu'il est nécessaire d'utiliser plus d'un cordon de rallonge, veiller à ce que chaque cordon ait au moins le calibre minimal. Avant d'utiliser un cordon de rallonge, s'assurer qu'il n'y a pas de fils dénudés ni détachés, et que l'isolant et les raccords ne sont pas défectueux. Effectuer les réparations nécessaires ou remplacer le cordon, le cas échéant. Le tableau ci-dessous permet de déterminer le calibre minimal des cordons.

Calibre minimal des cordons de rallonge					
Tension	Longueur totale du cordon en pieds				
120V	0-25	26-50	51-100	101-150	
	(0-7,6m)	(7,6-15,2m)	(15,2-30,4m)	(30,4-45,7m)	
240V	0-50	51-100	101-200	201-300	
	(0-15,2m)	(15,2-30,4m)	(30,4-60,9m)	(60,9-91,4m)	
Intensité (A)		Calibre moyen des fils (AWG)			
Au moins	Au plus				
0	- 6	18	16	16	14
6	- 10	18	16	14	12
10	- 12	16	16	14	12
12	- 16	14	12	Non recommandé	

⚠ Mesures de sécurité : fiche polarisée

Afin de minimiser les risques de secousses électriques, le produit comporte une fiche polarisée (une lame plus large que l'autre). Il faut utiliser une rallonge polarisée appropriée, bifilaire ou trifilaire, avec ce produit. Ce genre de fiche n'entre que d'une façon dans une prise polarisée. S'assurer que la prise de la rallonge comporte des fentes de dimensions appropriées. Lorsqu'on ne peut insérer la fiche à fond dans la prise de la rallonge, il faut tenter de la faire après avoir inversé les lames de côté. Si la fiche n'entre toujours pas dans la prise, il faut se procurer une rallonge appropriée. Lorsqu'on ne peut insérer la fiche de la rallonge à fond dans la prise, il faut communiquer avec un électricien certifié. Il ne faut pas neutraliser la fiche de l'outil ni celle de la rallonge.

DESCRIPTION FONCTIONNELLE

- Tête du moteur
- Tube supérieur du souffleur
- Tube inférieur du souffleur
- Accessoire pulvérisateur de feuilles
- Concentrateur
- Tube supérieur de l'aspirateur
- Tube inférieur de l'aspirateur
- Sac à bandoulière

ASSEMBLAGE POUR LE MODE SOUFFLEUR

⚠ **AVERTISSEMENT : avant de procéder à l'assemblage décrit ci-dessous, s'assurer que l'appareil est éteint et débranché du bloc d'alimentation.**

ASSEMBLAGE DES TUBES DU SOUFFLEUR (FIGURES 1 À 4)

- S'assurer que la grille de protection est fixée sur le bloc moteur. Si elle n'est pas en place, installez-la comme cela est montré dans l'encart de la **figure 1**. **REMARQUE** : l'appareil ne fonctionnera pas en mode souffleur sans la grille de protection en place. Aligner les deux segments du tube (inférieur et supérieur) comme cela est montré à la **figure 1**.
- Insérer fermement le tube inférieur dans le tube supérieur jusqu'à ce que les deux segments s'enclenchent.
- Avant d'utiliser l'appareil, il faut assembler les tubes du souffleur au bloc-moteur.
- Ne jamais utiliser l'appareil sans les deux segments de tube (inférieur et supérieur) assemblés.
- Par mesure de précautions, une fois assemblés, les tubes ne sont pas conçus pour être séparés.
- Enfoncer le module des tubes sur le bloc-moteur jusqu'à ce qu'il se bloque en position (**fig. 2**).
- Utiliser le concentrateur pour diriger le jet d'air dans une zone plus restreinte. Ajouter l'accessoire au module des tubes comme montré à la **figure 3**. Enfoncer l'accessoire jusqu'à ce que le trou de l'onglet s'insère sur la saillie du tube.
- Utiliser le pulvérisateur de feuilles accessoire pour retirer les débris récalcitrants des zones à longs herbages en le déplaçant d'un mouvement de va-et-vient. Ajouter le tube au module des tubes comme montré à la **figure 4**. Enfoncer l'accessoire jusqu'à ce que le trou de l'onglet s'insère sur la saillie du tube. Pour bloquer le pulvérisateur de feuilles en position et réduire le mouvement de va-et-vient, pousser sur l'onglet vers l'avant.

ASSEMBLAGE POUR LE MODE ASPIRATION

SAC À BANDOULIÈRE (FIG. 5)

- Fixer le sac à bandoulière au bloc-moteur comme montré à la **figure 5**.

TUBE D'ASPIRATION (FIGURE 6, 7, 8)

- Les tubes d'aspiration doivent être assemblés avant de s'en servir.
- Aligner les encoches et les triangles des tubes inférieur et supérieur (**figure 6**)
- Pousser le tube inférieur fermement dans le tube supérieur jusqu'à ce que les triangles s'enclenchent en place. (Ne jamais se servir de ces tubes séparément.)
- Par mesure de sécurité, il ne faut pas séparer les tubes lorsqu'ils sont assemblés.
- Enfoncer le bouton de dégagement à ressort pour retirer le couvercle de la soufflerie logé sous le bloc-moteur (au dos du bloc-moteur) et tirer sur le couvercle (**fig. 7**).
- Fixer le module de tubes de l'aspirateur au bloc-moteur (**fig. 8**) en positionnant le module selon la flèche puis faire pivoter le module autour de ce point jusqu'à ce que le loquet de blocage/dégagement s'enclenche complètement.

RETRAIT DU TUBE SOUFFLEUR, ASPIRATEUR OU DU SAC À BANDOULIÈRE (FIGURE 7 & 9)

- Pour retirer l'un des modules de tubes ou le sac à bandoulière, enfoncer le bouton de dégagement logé sur le bloc-moteur et tirer droit sur l'accessoire (**figure 7 & 9**).

FONCTIONNEMENT

FONCTIONNEMENT EN MODE SOUFFLEUR :

TOUJOURS PORTER DES LUNETTES DE SÉCURITÉ. EN PRÉSENCE DE POUSSIÈRES, PORTER UN MASQUE FILTRANT DE TYPE « A ». LORS DE TRAVAUX À L'EXTÉRIEUR, PORTER DES GANTS DE CAOUTCHOUC ET DES CHAUSSURES ROBUSTES. POUR UN USAGE DOMESTIQUE SEULEMENT.

⚠ AVERTISSEMENT : RISQUE DE COUPURE. Attendre 10 secondes après la mise hors fonction de l'appareil pour que le ventilateur s'immobilise avant de démonter, d'installer un tube ou pour toute autre opération sur l'outil.

- Ne pas utiliser en mode aspirateur sans les tubes de succion et le sac à bandoulière en position.
- Toujours éteindre l'appareil et le débrancher de l'alimentation secteur :
 - pour convertir l'appareil de souffleur à aspirateur;
 - lorsque le cordon d'alimentation s'enchevêtre ou est endommagé;
 - lorsque l'appareil est laissé sans surveillance;
 - lors du nettoyage d'un bourrage;
 - lors de la vérification, du réglage, du nettoyage ou de tout travail sur le souffleur-aspirateur.
- Utiliser le souffleur-aspirateur uniquement sous la lumière du jour ou sous un bon éclairage artificiel.

COMMUTEUR DE MARCHE/ARRÊT (FIGURE 10)

MODÈLE LH5000

- Ce souffleur-aspirateur est muni d'un bouton d'activation/réglage de vitesse logé sur le dessus du bloc-moteur, sous la poignée.
- Pour mettre l'appareil en fonction, tourner le bouton dans le sens horaire. Le débit d'air s'accroît au fur et à mesure que vous tournez le bouton dans le sens horaire.
- Pour éteindre l'appareil, tourner le bouton dans le sens antihoraire, à la position d'arrêt (0).

MODÈLE LH4500

- Ce souffleur-aspirateur est muni d'un commutateur à deux vitesses logé sur le dessus du bloc-moteur, sous la poignée.
- Pour utiliser un faible débit d'air, tourner le bouton dans le sens horaire à la position I. Pour un débit d'air élevé, tourner le bouton dans le sens horaire à la position II.
- Pour éteindre l'appareil, tourner le bouton dans le sens antihoraire, à la position d'arrêt (0).

MODÈLE BL1500

- Ce souffleur-aspirateur est muni d'un commutateur à simple vitesse logé sur le dessus du bloc-moteur, sous la poignée.
- Pour mettre l'appareil sous tension, tourner le bouton dans le sens horaire à la position I.
- Pour l'éteindre, tourner le bouton dans le sens antihoraire, à la position d'arrêt (0).

DISPOSITIF DE RETENUE DU CORDON (FIGURE 11)

- Un dispositif de retenue est intégré à l'outil, à l'arrière du bloc moteur. Il s'utilise de deux façons :
- Pour l'utiliser comme montré à la **figure 11A**, accrocher la rallonge sous le dispositif de retenue. Brancher le cordon d'alimentation du bloc-moteur à la rallonge.
- Pour utiliser le dispositif de retenue du cordon comme montré à la **figure 11B**, faire une boucle de la rallonge avec le cordon d'alimentation du bloc-moteur puis, raccorder les deux extrémités. Accrocher maintenant la rallonge sous le dispositif de retenue.

MODE SOUFFLEUR (FIGURE 12)

⚠ AVERTISSEMENT : s'assurer que l'appareil est éteint et débranché de sa source d'alimentation.

- Fixer la grille de protection comme cela est montré à la **figure 1**.
- Fixer le module des tubes de souffleur au bloc-moteur comme montré à la **figure 2**.
- Raccorder le cordon d'alimentation du bloc-moteur à une source d'alimentation (**figure 11**).
- Tenir le module de tubes de souffleur à environ 180 mm (7 po) au-dessus du sol. Mettre le souffleur-aspirateur en fonction et, d'un mouvement de va-et-vient latéral, avancer lentement tout en maintenant les débris et les feuilles accumulés devant vous.
- Dès qu'il y a un amoncellement suffisant, convertissez, au besoin, au mode d'aspiration pour ramasser les débris.
- L'utilisation du concentrateur aidera à retirer les débris et les feuilles colmatés.
- L'utilisation du pulvérisateur de feuilles aidera à déplacer l'air (souffler-aspirer) en alternance pour dégager les débris récalcitrants des zones herbues.

MODE ASPIRATEUR (FIGURE 13) (UNIQUEMENT MODÈLES LH4500 ET LH5000)

UTILISATION EN MODE ASPIRATION :

⚠ **AVERTISSEMENT** : s'assurer que l'appareil est éteint et débranché de sa source d'alimentation.

Fixation du sac à bandoulière à l'appareil :

- Retirer le tube de soufflage.
- Fixer le sac à bandoulière au bloc-moteur comme montré à la **figure 5**.
- Enfoncer le bouton de dégagement à ressort pour retirer le couvercle de la soufflerie logé sous le bloc-moteur (au dos du bloc-moteur) et tirer sur le couvercle (**fig. 7**).
- Fixer le module de tubes de l'aspirateur au bloc-moteur (**fig. 8**) en positionnant le module selon la flèche puis faire pivoter le module autour de ce point jusqu'à ce que le loquet de blocage/dégagement s'enclenche complètement.
- Raccorder le cordon d'alimentation du bloc-moteur à une source d'alimentation (**figure 11**).
- Placer le tube légèrement au-dessus des débris et des feuilles. Mettre l'appareil en fonction. D'un mouvement de va-et-vient, aspirer les débris et les feuilles avec le tube. Ils seront pulvérisés puis déposés dans le sac à bandoulière (**figure 13**).
- La puissance d'aspiration diminuera au fur et à mesure que le sac se remplira. Pour poursuivre votre travail, mettre le souffleur-aspirateur hors fonction et le débrancher de la source d'alimentation.

POUR LE SAC LH5000 :

- Vider le sac à bandoulière. Pour ce faire, glisser la barre de retenue hors du fond du sac comme montré à la **figure 14**.

⚠ **MISE EN GARDE : NE JAMAIS RETIRER LE SAC À BANDOULIÈRE SANS D'ABORD METTRE L'ASPIRATEUR HORS FONCTION ET DE LE DÉBRANCHER.**

REMARQUE : si la puissance de succion diminue et que le sac n'est toujours pas plein, le tube d'aspiration est probablement bouché par des débris. Mettre le souffleur-aspirateur hors fonction, le débrancher et nettoyer le tube avant de poursuivre les travaux.

- Pour fixer de nouveau la barre de retenue, fermer le fond du sac à bandoulière en repliant les deux côtés plats comme montré à la **figure 15**. Glisser la barre de retenue sur le sac fermé.

POUR LE SAC LH4500 :

La puissance d'aspiration diminuera au fur et à mesure que le sac se remplira. Pour poursuivre votre travail, mettre l'appareil hors tension et le débrancher du bloc d'alimentation, puis ouvrir la fermeture éclair du sac pour vider son contenu.

ENTRETIEN

• NETTOYAGE ET RANGEMENT

METTRE L'OUTIL HORS TENSION ET LE DÉBRANCHER. (Débrancher le cordon de rallonge de la source d'alimentation.)

Utiliser seulement du savon doux et un chiffon humide pour nettoyer l'outil. Enlever tout brin accumulé dans l'outil. Lorsqu'on s'en sert dans des conditions normales avec des feuilles sèches, la chambre du ventilateur de l'outil devrait rester propre. Lorsqu'on aspire de la terre ou des débris humides, la chambre du ventilateur peut se salir. Le cas échéant, le rendement de l'outil diminue. Une fois l'appareil débranché de la prise électrique, il est possible de nettoyer cette zone au moyen d'un bâton de bois comme cela est montré à la **figure 16**. Il faut ranger l'outil dans un endroit sec.

⚠ **MISE EN GARDE : RISQUE DE CHOC ÉLECTRIQUE. NE PAS VERSER DE L'EAU SUR L'OUTIL NI LE VAPORISER POUR LE NETTOYER.**

Ne pas ranger l'outil sur des produits chimiques ni sur des engrais, ou près de ceux-ci, au risque de provoquer la corrosion rapide des pièces métalliques de l'outil.

Utiliser seulement du savon doux et un chiffon humide pour nettoyer l'outil. Ne laisser aucun liquide s'infiltrer dans l'outil et ne jamais immerger celui-ci, complètement ou en partie.

Important

Pour assurer la **SÉCURITÉ D'EMPLOI** et la **FIABILITÉ** de l'outil, n'en confier la réparation, l'entretien et les ajustements (autres que ceux spécifiés dans le présent guide) qu'à un centre de service ou à un atelier d'entretien autorisé n'utilisant que des pièces de rechange identiques.

INFORMATION SUR LES RÉPARATIONS

Tous les centres de réparation Black & Decker sont dotés de personnel qualifié en matière d'outillage électrique; ils sont donc en mesure d'offrir à leur clientèle un service efficace et fiable. Que ce soit pour un avis technique, une réparation ou des pièces de rechange authentiques installées en usine, communiquer avec l'établissement Black & Decker le plus près de chez vous. Pour trouver l'établissement de réparation de votre région, consulter le répertoire des Pages jaunes à la rubrique « Outils électriques » ou composer le numéro suivant : **1-800-544-6986** ou consulter le site www.blackanddecker.com

GARANTIE COMPLÈTE DE DEUX ANS POUR UNE UTILISATION DOMESTIQUE

Black & Decker (É.-U.) Inc. garantit ce produit pour une durée de deux ans contre tout défaut de matériau ou de fabrication. Le produit défectueux sera remplacé ou réparé sans frais de l'une des deux façons suivantes :

La première façon consiste en un simple échange chez le détaillant qui l'a vendu (pourvu qu'il s'agisse d'un détaillant participant). Tout retour doit se faire durant la période correspondant à la politique d'échange du détaillant (habituellement, de 30 à 90 jours après l'achat). Une preuve d'achat peut être requise. Vérifier auprès du détaillant pour connaître sa politique concernant les retours hors de la période définie pour les échanges.

La deuxième option est d'apporter ou d'envoyer le produit (transport payé d'avance) à un centre de réparation autorisé ou à un centre de réparation de Black & Decker pour faire réparer ou échanger le produit, à notre discrétion. Une preuve d'achat peut être requise. Les centres Black & Decker et les centres de service autorisés sont répertoriés dans les pages jaunes, sous la rubrique « Outils électriques ».

Cette garantie ne s'applique pas aux accessoires. Cette garantie vous accorde des droits légaux spécifiques et vous pourriez avoir d'autres droits qui varient d'un État ou d'une province à l'autre. Pour toute question, communiquer avec le directeur du centre de réparation Black & Decker le plus près de chez vous. Ce produit n'est pas destiné à un usage commercial.

REMPLACEMENT GRATUIT DES ÉTIQUETTES D'AVERTISSEMENT : si les étiquettes d'avertissement deviennent illisibles ou sont manquantes, composer le **1-800-544-6986** pour en obtenir le remplacement gratuit.

DÉPANNAGE

Problème

- L'appareil refuse de démarrer.

- L'appareil refuse de démarrer.

Cause possible

- Le couvercle de la soufflerie ou le tube d'aspiration n'est pas installé.

- Cordon d'alimentation non branché.
- Le fusible du circuit est grillé.

- Le disjoncteur est déclenché.

- Le cordon d'alimentation ou la prise de courant est endommagé(e).

- Des débris bouchent l'entrée, la sortie ou le ventilateur.

Solution possible

- Mettre le couvercle de la soufflerie en position ou le tube d'aspiration en mode aspiration.
- Brancher l'outil dans une prise qui fonctionne.
- Remplacer le fusible du circuit. (Si le produit fait le fusible du circuit, arrêter immédiatement d'utiliser le produit et le faire réparer dans un centre de réparation Black & Decker ou un centre de réparation autorisé.)
- Remettre le disjoncteur à zéro . (Si le produit fait déclencher de façon répétée le disjoncteur, arrêter immédiatement d'utiliser le produit et le faire réparer dans un centre de réparation Black & Decker ou un centre de réparation autorisé.)
- Faire remplacer le cordon ou l'interrupteur au centre de réparation Black & Decker ou à un centre de réparation autorisé.
- Débrancher le cordon d'alimentation. Retirer le tube de l'aspirateur. Se reporter à la rubrique « Nettoyage et rangement - Entretien »

Pour obtenir de l'aide avec l'outil, consulter notre site Web www.blackanddecker.com pour l'emplacement du centre de réparation le plus près ou communiquer avec l'assistance **BLACK & DECKER** au **1-800-544-6986**.

Imported by / Importé par
Black & Decker Canada Inc.
100 Central Ave.
Brockville (Ontario) K6V 5W6

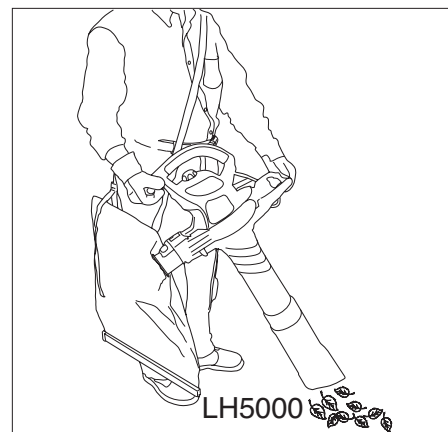
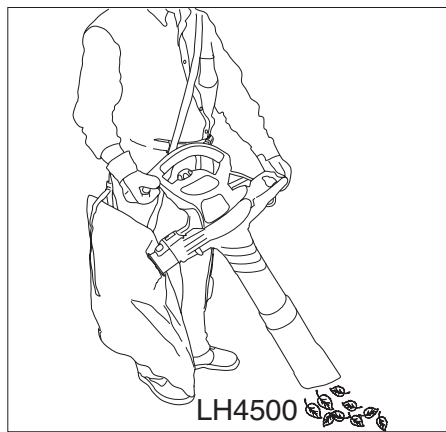
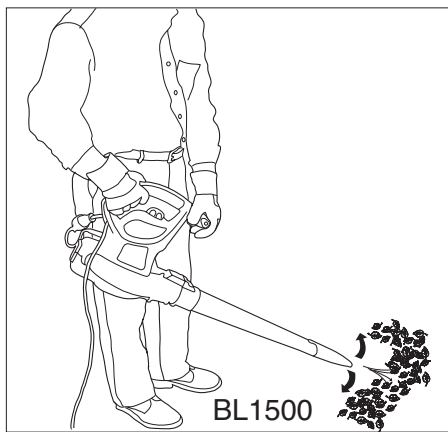
Voir la rubrique "Outils électriques"
des Pages Jaunes
pour le service et les ventes.





SOPLADORA Y ASPIRADORAS SOPLADORAS

MANUAL DE INSTRUCCIONES



¡GRACIAS POR ELEGIR BLACK & DECKER!
VAYA A WWW.BLACKANDDECKER.COM/NEWOWNER
PARA REGISTRAR SU NUEVO PRODUCTO.

**ANTES DE DEVOLVER ESTE PRODUCTO POR CUALQUIER MOTIVO, LLAME AL
(55)5326-7100**

ANTES DE LLAMAR, TENGA EL NÚMERO DE CATÁLOGO Y EL CÓDIGO DE FECHA PREPARADOS. EN LA MAYORÍA DE LOS CASOS, UN REPRESENTANTE DE BLACK & DECKER PUEDE RESOLVER EL PROBLEMA POR TELÉFONO. SI DESEA REALIZAR UNA SUGERENCIA O COMENTARIO, LLÁMENOS. SU OPINIÓN ES FUNDAMENTAL PARA BLACK & DECKER.

INFORMACIÓN CLAVE QUE DEBE SABER:

- Antes de operar la unidad, asegúrese de que el montaje del tubo del soplador o de aspirado estén en su sitio.

CONSERVE ESTE MANUAL PARA FUTURAS CONSULTAS.

⚠ ADVERTENCIA: ADVERTENCIAS E INSTRUCCIONES
POR FAVOR LEA CUIDADOSAMENTE TODAS LAS INSTRUCCIONES ANTES DE USAR LA UNIDAD.

Para reducir el riesgo de lesiones:

• Antes de cualquier uso, asegúrese que cualquier persona que vaya a utilizar esta herramienta lea y comprenda todas las instrucciones de seguridad y la información contenida en este manual.

• Conserve estas instrucciones y repáselas con frecuencia antes de usar la herramienta e instruir a otras personas.

⚠ **ADVERTENCIA:** Siempre que utilice herramientas eléctricas debe seguir ciertas precauciones básicas de seguridad, a fin de reducir los riesgos de incendio, choque eléctrico y lesiones personales, entre las que se encuentran las siguientes.

⚠ **ADVERTENCIA:** Parte del polvo originado por este producto contiene químicos que en el Estado de California se consideran como causantes de cáncer, defectos congénitos u otros daños reproductivos. Algunos ejemplos de estos químicos son:

- compuestos en fertilizantes
- compuestos en insecticidas, herbicidas y pesticidas
- arsénico y cromo de madera tratada químicamente

Para reducir su exposición a estos químicos, utilice equipo de seguridad aprobado como máscaras contra polvo diseñadas específicamente para filtrar partículas microscópicas.

⚠ **ADVERTENCIA:** Este producto contiene químicos, incluyendo plomo, que en el Estado de California se consideran como causantes de cáncer y defectos congénitos u otros daños reproductivos. **Lave sus manos después de manejarlo.**

⚠ **PRECAUCIÓN:** Emplee la protección personal y auditiva adecuada durante el uso de este producto. Bajo ciertas condiciones y duración de uso, el ruido producido por este producto puede contribuir a la pérdida auditiva.

PAUTAS DE SEGURIDAD/DEFINICIONES

Es importante que lea y comprenda este manual. La información que contiene se relaciona con la protección de SU SEGURIDAD y la PREVENCIÓN DE PROBLEMAS. Los símbolos que siguen se utilizan para ayudarlo a reconocer esta información.

⚠ **PELIGRO:** indica una situación de peligro inminente que, si no se evita, provocará la muerte o lesiones graves.

⚠ **ADVERTENCIA:** indica una situación de peligro potencial que, si no se evita, provocará la muerte o lesiones graves.

⚠ **PRECAUCIÓN:** indica una situación de peligro potencial que, si no se evita, provocará lesiones leves o moderadas.

PRECAUCIÓN: utilizado sin el símbolo de alerta de seguridad indica una situación de peligro potencial que, si no se evita, puede provocar daños en la propiedad.

LEA TODAS LAS INSTRUCCIONES ANTES DE USAR EL SOPLADOR

⚠ Advertencias e instrucciones generales de seguridad para todas las herramientas

- **LEA** y siga todas las instrucciones.
- **NO** coloque la entrada o la salida de la aspiradora cerca de sus ojos u oídos cuando esté en operación.
- **ESTE APARATO CUENTA CON DOBLE AISLAMIENTO.** Solamente utilice refacciones idénticas. Consulte las instrucciones sobre el servicio a aparatos con doble aislamiento.
- **GUARDE LAS HERRAMIENTAS QUE NO EMPLEE.** Cuando no utilice la herramienta, ésta deberá guardarse en un lugar seco y elevado o bajo llave, fuera del alcance de los niños.
- **NO SE SOBREEXTIENDA.** Conserve siempre bien apoyados los pies así como el equilibrio.
- **NO** recoja objetos en combustión o humeantes, tales como cigarrillos, cerillos o cenizas calientes.
- **CUIDE LA HERRAMIENTA.** Conserve limpia la zona del ventilador para que funcione mejor y de manera más segura. Siga las instrucciones para el mantenimiento apropiado.
- **NO** intente reparar el soplador/aspiradora. Para garantizar la seguridad y la confiabilidad del producto, las reparaciones el mantenimiento y los ajustes deben ser realizados por centros de servicio Black & Decker u otras organizaciones de servicio autorizado, que utilicen siempre refacciones Black & Decker.
- **NO** opere el soplador/aspiradora en atmósferas gaseosas o explosivas. Los motores en estas unidades producen chispas en condiciones normales, y estas chispas pueden originar la ignición de los vapores.
- **NO** se utilice para recoger líquidos combustibles o inflamables como gasolina, ni se utilice en áreas en las que puedan estar presentes.
- **TENGA MUCHO CUIDADO** cuando limpie en escalones.
- **NO** deje el aparato cuando esté conectado. Desconéctelo de la toma de corriente cuando no esté en uso y antes de darle servicio.
- **NO** permita que se utilice como juguete. Se requiere atención cercana cuando se utilice por niños o cerca de ellos. No se recomienda para ser usada por niños.
- **NO** intente limpiar la unidad sin antes desconectarla.
- **ÚSESE SOLAMENTE** como se describe en este manual. Solamente utilice los dispositivos recomendados por el fabricante.
- **NO** se use si el cable o la clavija están dañados. Si el aparato no funciona como debiera, si se ha caído o dañado, si se ha dejado a la intemperie o se dejado bajo el agua, envíelo a un centro de servicio.
- **NO** tire del cable ni cargue la herramienta por éste, no lo utilice como asa ni lo coloque sobre bordes o aristas afilados. Aléjelo de superficies calientes.
- **NO** desconecte tirando del cable. Para desconectar, tire de la clavija, no del cable.
- **NO** coloque ningún objeto en las aberturas. No se use con ninguna abertura bloqueada; consérvelas libres de polvo, pelusas y cualquier objeto que pueda reducir el flujo de aire.
- **CONSERVE** cabello, pelo, ropas flojas, dedos y demás partes del cuerpo alejados de aberturas y partes móviles.
- **APAGUE** todos los controles antes de desconectar la unidad.
- **NO** aspire agua, otros líquidos u objetos húmedos. Nunca sumerja ninguna parte de la herramienta en ningún líquido.
- **NO** maneje la clavija ni otra parte de la unidad con las manos húmedas.
- **CONSERVE A LOS NIÑOS, ESPECTADORES Y ANIMALES ALEJADOS** del área de trabajo, a un mínimo de 10 metros cuando encienda u opere la unidad.
- **REVISE EL ÁREA** antes de usar la unidad. Elimine todos los objetos duros como rocas, vidrios, alambres, etc., que puedan salir despedidos y por consiguiente, causar lesiones durante la operación. Como aspiradora, la unidad está diseñada para recoger materiales secos como hojas, pasto, pequeñas varas y trozos de papel. No aspire piedras, grava, metales, trozos de vidrio, etc.
- ⚠ **ADVERTENCIA: RIESGO DE DESCARGA ELÉCTRICA.** Para reducir el riesgo de choque eléctrico; no se exponga a la lluvia, no se utilice sobre superficies mojadas. Guárdese bajo techo.
- ⚠ **ADVERTENCIA: PELIGRO DE CORTE.** Apague y desconecte la unidad, después, espere a que el ventilador se detenga o al menos 10 segundos antes de desmontar los subensambles de aspirado o del soplador.

CONSERVE ESTAS INSTRUCCIONES

Servicio a aparatos con doble aislamiento

Su Soplador/Aspiradora cuenta con doble aislamiento para brindarle protección añadida. En los aparatos con doble aislamiento, se cuenta con dos sistemas de aislamiento en lugar de conexión a tierra. No se proporciona ningún medio de aterrizaje en un aparato con doble aislamiento, ni se requiere añadirle ninguno. El servicio a aparatos con doble aislamiento requiere de cuidado extremo y de conocimiento del sistema, y debe ser efectuado solamente por personal de servicio calificado. Las piezas de repuesto para aparatos con doble aislamiento deben ser idénticas a las que reemplazan. Los aparatos con doble aislamiento están marcados con las palabras "doble aislamiento". El símbolo (un cuadro dentro de otro) puede estar también marcado en el aparato.

Reglas e instrucciones de seguridad: Cables de extensión

Las herramientas con doble aislamiento tienen cables con dos líneas y pueden utilizarse con extensiones de 2 o de 3 líneas. Solamente deben usarse extensiones con cubierta cilíndrica, y le recomendamos que estén aprobadas por Underwriters Laboratories (U.L.) (NOM en México). Si la extensión se empleará a la intemperie, deberá ser adecuada para ello. Cualquier extensión destinada para uso a la intemperie se puede utilizar para trabajar bajo techo.

Una extensión debe contar con el calibre adecuado (AWG o American Wire Gauge) por seguridad, y para evitar pérdida de potencia y sobrecalentamiento. Mientras menor sea el número, mayor será la capacidad del cable, por ejemplo, un cable de calibre 16 tiene mayor capacidad que uno de calibre 18. Cuando emplee más de una extensión para alcanzar la longitud total, asegúrese que cada extensión contenga por lo menos el calibre mínimo requerido. Antes de utilizar un cable de extensión, revíselo en busca de alambres flojos o expuestos, aislamiento dañado y uniones defectuosas. Haga las reparaciones necesarias o reemplace el cable en caso necesario.

Para determinar el calibre mínimo requerido para el cable, consulte la tabla que sigue:

Volts	Calibre mínimo para cables de extensión			
	Longitud total del cable en pies			
120V	0-25	26-50	51-100	101-150
	(0-7,6m)	(7,6-15,2m)	(15,2-30,4m)	(30,4-45,7m)
240V	0-50	51-100	101-200	201-300
	(0-15,2m)	(15,2-30,4m)	(30,4-60,9m)	(60,9-91,4m)
Amperaje		American Wire Gage		
	Más de	No más de		
0	- 6	18	16	14
6	- 10	18	16	12
10	- 12	16	16	12
12	- 16	14	12	No se recomienda

⚠ Advertencias e instrucciones de seguridad: Clavija polarizada

Este equipo cuenta con una clavija polarizada (con una pata más ancha que la otra) para reducir el riesgo de choque eléctrico. El equipo debe utilizarse con una extensión adecuada de 2 o 3 cables. Las conexiones polarizadas solamente ajustan de una manera. Asegúrese que la conexión hembra de la extensión tenga una ranura grande y una más pequeña. Si la clavija no se ajusta completamente a la extensión, invírtala. Si aún así no ajusta, consiga una extensión adecuada. Si la extensión no se ajusta por completo a la toma de corriente comuníquese con un electricista calificado para que le instale la toma de corriente adecuada. Por ningún motivo cambie la clavija en la herramienta o en la extensión de ninguna manera.

DESCRIPCIÓN FUNCIONAL

- Cabezal de impulsión
- Tubo de soplado superior
- Tubo de soplado inferior
- Accesorio soplador de hojas
- Concentrador
- Tubo de aspirado superior
- Tubo de aspirado inferior
- Bolsa

MONTAJE PARA MODO SOPLADORA

⚠ **ADVERTENCIA:** Antes de realizar cualquiera de los siguientes pasos de montaje, asegúrese de que el producto esté apagado y desconectado de la fuente de energía.

MONTAJE DEL TUBO DE SOPLADO (FIGURAS 1-4)

- Asegúrese de que la cubierta de la parrilla esté conectada al cabezal de impulsión. Si no lo está, conecte la cubierta como se muestra en el recuadro de la **figura 1**. **NOTA:** La unidad no funcionará en modo de soplado sin la cubierta de la parrilla en su lugar. Alinee los tubos superior e inferior como se muestra en la **figura 1**.
- Empuje con firmeza el tubo inferior dentro del tubo superior, hasta que ambos se ajusten en su lugar.
- Los tubos de soplado deben conectarse al cabezal de impulsión antes de utilizar la herramienta.
- Nunca opere la unidad sin los tubos superior e inferior ensamblados.
- Por motivos de seguridad, los tubos no están diseñados para separarse una vez que están ensamblados.
- Empuje el conjunto de tubos sobre el cabezal de impulsión hasta que encaje perfectamente (**figura 2**).
- Utilice el accesorio concentrador de aire para dirigir el flujo de aire hacia un área más estrecha. Conecte el accesorio al conjunto, como se muestra en la **figura 3**. Empuje hasta que el orificio de la ficha encaje en el poste más alto del tubo.
- Utilice el accesorio soplador de hojas para desplazar el aire hacia adelante y hacia atrás y quitar los desechos más rebeldes de las áreas con césped. Conecte el tubo al conjunto, como se muestra en la **figura 4**. Empuje hasta que el orificio de la ficha encaje en el poste más alto del tubo. Para bloquear el accesorio soplador de hojas y reducir el movimiento hacia adelante y hacia atrás, empuje la ficha de bloqueo hacia adelante.

MONTAJE PARA MODO ASPIRADORA

BOLSA DE RECOLECCIÓN (FIG. 5)

- Conecte la bolsa de recolección al cabezal de impulsión, como se muestra en la **figura 5**.

Ensamblaje del tubo de aspirado (FIG. 6, 7, 8)

- Los tubos de aspirado deben ensamblarse entre sí antes de usarse.
- Alinear las muescas y los triángulos del tubo superior e inferior. **figure 6)**
- Haga coincidir las muescas y los triángulos en los tubos superior e inferior. (Nunca opere sin haberlos ensamblado.)
- En aras de la seguridad, los tubos no están hechos para separarse una vez que se han ensamblado.
- Para retirar la cubierta del ventilador de la parte inferior del cabezal de impulsión, presione el botón de liberación con resorte (ubicado en la parte posterior del cabezal de impulsión) y tire de la cubierta para extraerla (**figura 7**).
- Para conectar el conjunto de tubos de aspirado al cabezal de impulsión (**figura 8**), coloque el conjunto como lo indica la flecha y luego gire sobre este punto hasta que el pestillo de bloqueo y liberación encaje perfectamente.

EXTRACCIÓN DEL TUBO DE SOPLADO, EL TUBO DE ASPIRADO O LA BOLSA DE RECOLECCIÓN (FIGURA 7 & 9)

- Para extraer el tubo de soplado, el tubo de aspirado o la bolsa de recolección, oprima el botón de liberación del cabezal de impulsión y tire hacia afuera (**figura 7 & 9**).

FUNCIONAMIENTO

PARA UTILIZAR COMO SOPLADORA:

UTILICE SIEMPRE ANTEOJOS DE SEGURIDAD. UTILICE UNA MÁSCARA CON FILTRO SI LA OPERACIÓN PRODUCE POLVILLO. SE RECOMIENDA UTILIZAR GUANTES DE GOMA Y CALZADO CERRADO DE MATERIAL RESISTENTE AL TRABAJAR AL AIRE LIBRE. PARA USO DOMÉSTICO SOLAMENTE.

- ⚠ **ADVERTENCIA: PELIGRO DE CORTE.** Al apagar la herramienta para instalar los tubos o por cualquier otro motivo, espere 10 segundos hasta que el ventilador deje de girar antes de desarmarla.
- No la utilice en modo aspiradora si los tubos de aspirado y la bolsa de recolección no están en su lugar.
- Apague siempre la herramienta y desenchúfela del tomacorriente cuando:
 - Cambie de modo sopladora a modo aspiradora.
 - El cable de alimentación esté dañado o enredado.
 - Deje la aspiradora/sopladora sin supervisión.
 - Elimine una obstrucción.
 - Verifique, ajuste, limpie o trabaje en la aspiradora/sopladora.
- Utilice la aspiradora/sopladora solamente con la luz del día o con una buena luz artificial.

INTERRUPTOR DE ENCENDIDO/APAGADO (FIGURA 10)

MODELO LH5000

- Su aspiradora sopladora está equipada con un interruptor de velocidad variable ubicado en la parte superior del cabezal de impulsión, debajo del mango.
- Para ENCENDER la herramienta, gire la perilla en sentido de las agujas del reloj. Cuanto más gire la perilla, mayor será la velocidad del aire.
- Para APAGAR la herramienta, gire la perilla en sentido contrario a las agujas del reloj hasta la posición de apagado (0).

MODELO LH4500

- Su aspiradora sopladora está equipada con un interruptor de dos velocidades ubicado en la parte superior del cabezal de impulsión, debajo del mango.
- Para utilizarla en velocidad baja, gire la perilla en sentido de las agujas del reloj hasta la posición I. Para utilizarla en velocidad alta, gire la perilla en sentido de las agujas del reloj hasta la posición II.
- Para APAGAR la herramienta, gire la perilla en sentido contrario a las agujas del reloj hasta la posición de apagado (0).

MODELO BL1500

- Su aspiradora sopladora está equipada con un interruptor de velocidad única ubicado en la parte superior del cabezal de impulsión, debajo del mango.
- Para ENCENDER la herramienta, gire la perilla en sentido de las agujas del reloj hasta la posición I.
- Para APAGAR la herramienta, gire la perilla en sentido contrario a las agujas del reloj hasta la posición de apagado (0).

DISPOSITIVO DE RETENCIÓN DEL CABLE (FIGURA 11)

- La parte posterior del cabezal de impulsión tiene un dispositivo incorporado de retención del cable. Puede utilizarse de dos maneras diferentes:
- Para utilizar el dispositivo de retención del cable como se muestra en la **figura 11A**, enganche el cable prolongador debajo del dispositivo de retención. Luego conecte el cable del cabezal de impulsión al cable prolongador.
- Para utilizar el dispositivo de retención del cable como se muestra en la **figura 11B**, conecte el extremo del cable prolongador con el extremo del cable del cabezal de impulsión. Luego enganche el cable prolongador debajo del dispositivo de retención.

MODO SOPLADORA (FIGURA 12)

- ⚠ **ADVERTENCIA:** Asegúrese de que el producto esté apagado y desconectado de la fuente de energía.
- Coloque la cubierta de la parrilla como se muestra en la **figura 1**.
- Conecte el conjunto de tubos de soplado al cabezal de impulsión, como se muestra en la **figura 2**.
- Conecte el cable del cabezal de impulsión a la fuente de energía (**figura 11**).
- Sostenga el tubo de soplado a aproximadamente 178 mm (7 pulgadas) del piso, encienda la aspiradora/sopladora y avance lentamente, con un movimiento de barrido de lado a lado, y mantenga los residuos y las hojas acumuladas delante suyo.
- Una vez que haya soplado los residuos y las hojas hasta formar una pila, podrá pasar a modo aspiradora para recoger los residuos.
- El concentrador de aire lo ayudará a quitar los residuos y las hojas enmarañados.
- El dispositivo soplador de hojas lo ayudará a desplazar el aire hacia adelante y hacia atrás para quitar los desechos más rebeldes de las áreas con césped.

MODELOS CON MODO ASPIRADORA (FIGURA 13) (LH4500, LH5000 EXCLUSIVAMENTE)

PARA UTILIZAR COMO ASPIRADORA:

- ⚠ **ADVERTENCIA:** Asegúrese de que el producto esté apagado y desconectado de la fuente de energía.

Para anexas la bolsa de recolección al producto:

- Retire el tubo de soplado.
- Conecte la bolsa de recolección al cabezal de impulsión, como se muestra en la **figura 5**.

- Para retirar la cubierta del ventilador de la parte inferior del cabezal de impulsión, presione el botón de liberación con resorte (ubicado en la parte posterior del cabezal de impulsión) y tire de la cubierta para extraerla (**figura 7**).
- Para conectar el conjunto de tubos de aspirado al cabezal de impulsión (**figura 8**), coloque el conjunto como lo indica la flecha y luego gire sobre este punto hasta que el pestillo de bloqueo y liberación encaje perfectamente.
- Conecte el cable del cabezal de impulsión a la fuente de energía (**figura 11**).
- Coloque el tubo apenas por encima de los residuos y hojas. Encienda la aspiradora/sopladora, luego con un movimiento de barrido, el tubo aspirará los residuos y las hojas, los triturará y los depositará en la bolsa de recolección (**figura 13**).
- A medida que la bolsa se llene, la potencia de succión disminuirá; apague la aspiradora/sopladora y desenchúfela de la fuente de energía.

PARA EL BOLSO LH5000:

- Para vaciar la bolsa de recolección, deslice la barra de retención de la parte inferior de la bolsa, como se muestra en la **figura 14**.
- ⚠ **PRECAUCIÓN: NUNCA EXTRAIGA LA BOLSA DE RECOLECCIÓN SIN APAGAR Y DESENCHUFAR LA ASPIRADORA PREVIAMENTE.**
- NOTA:** Si la succión disminuye y la bolsa no está llena, es probable que el tubo de aspirado esté obstruido con residuos. Apague y desenchufe la aspiradora sopladora y limpie el tubo antes de continuar.
- Para volver a colocar la barra de retención, cierre la parte inferior de la bolsa plegando la parte plana plegable, como se muestra en la **figura 15**. Deslice la barra de retención sobre la bolsa cerrada.

PARA EL BOLSO LH4500:

A medida que la bolsa se llena, el poder de succión disminuye. Apague el producto y desenchúfelo de la fuente de alimentación. Quite y vacíe la bolsa antes de reanudar la operación.

MANTENIMIENTO

• LIMPIEZA Y GUARDADO

¡APAGUE Y DESCONECTE LA HERRAMIENTA (desconecte el cable de extensión de la toma de corriente).

Utilice únicamente jabón suave y un trapo húmedo para limpiar la herramienta. Limpie todos los desechos y recortes que se hayan acumulado en su Blower/Vac. Cuando la unidad se utiliza apropiadamente con hojas secas, la cámara del ventilador debe permanecer limpia. Si se trabaja con tierra y desechos húmedos, algunas de las partículas se pueden acumular en el interior de la cámara del ventilador. Si esto ocurre, el rendimiento de la unidad bajará. Esta parte puede limpiarse con una vara de madera, como se muestra en la **figura 16**, luego de desconectar la unidad de la fuente de alimentación. Su soplador aspiradora Blower/Vac debe guardarse en un lugar seco.

⚠ **PRECAUCIÓN: RIESGO DE DESCARGA ELÉCTRICA. NO VACÍE O ROCÍE AGUA EN LA HERRAMIENTA EN UN INTENTO POR LIMPIARLA.**

No guarde la herramienta sobre fertilizantes o productos químicos ni junto a ellos. Dicho almacenaje puede ocasionarle una rápida corrosión a las partes metálicas. Utilice únicamente jabón suave y un trapo húmedo para limpiar la herramienta. Nunca permita que se introduzcan líquidos en la herramienta; nunca sumerja ninguna parte de la herramienta en ningún líquido.

Important

Para garantizar la **SEGURIDAD** y la **CONFIABILIDAD** del producto; las reparaciones, el mantenimiento y los ajustes (diferente de los mencionados en este manual) deberán ser efectuados por centros de servicio autorizado u otras organizaciones de servicio calificadas que utilicen siempre refacciones idénticas.

INFORMACIÓN DE MANTENIMIENTO

Todos los Centros de mantenimiento de Black & Decker cuentan con personal altamente capacitado dispuesto a brindar a todos los clientes un servicio eficiente y confiable en la reparación de herramientas eléctricas. Si necesita consejo técnico, reparaciones o piezas de repuesto originales de fábrica, póngase en contacto con el centro de mantenimiento de Black & Decker más cercano a su domicilio. Para ubicar su centro de servicio local, consulte la sección "Herramientas eléctricas" (Tools-Electric) de las páginas amarillas, llame al **(55)5326-7100** o visite nuestro sitio **www.blackanddecker.com**.

GARANTÍA COMPLETA DE DOS AÑOS PARA USO EN EL HOGAR

Black & Decker (Estados Unidos) Inc. ofrece una garantía de dos años por cualquier defecto del material o de fabricación de este producto. El producto defectuoso se reparará o reemplazará sin costo alguno de dos maneras.

La primera opción, el reemplazo, es devolver el producto al comercio donde se lo adquirió (siempre y cuando se trate de un comercio participante). Las devoluciones deben realizarse conforme a la política de devolución del comercio (generalmente, entre 30 y 90 días posteriores a la venta). Le pueden solicitar comprobante de compra. Consulte en el comercio acerca de la política especial sobre devoluciones una vez excedido el plazo establecido.

La segunda opción es llevar o enviar el producto (con flete pago) a un Centro de mantenimiento propio o autorizado de Black & Decker para su reparación o reemplazo según nuestro criterio. Le pueden solicitar el comprobante de compra. Los Centros de mantenimiento autorizados y de propiedad de Black & Decker se detallan en la sección

"Herramientas eléctricas" (Tools-Electric) de las páginas amarillas de la guía telefónica.

Esta garantía no se extiende a los accesorios. Esta garantía le concede derechos legales específicos; usted puede tener otros derechos que pueden variar según el estado o la provincia. Si tiene alguna pregunta, comuníquese con el gerente del Centro de mantenimiento de Black & Decker de su zona. Este producto no está diseñado para uso comercial.

DETECCIÓN DE PROBLEMAS

Problema

- La unidad no enciende.
- La unidad no enciende.
- La unidad está atascada u obstruida.

Causa posible

- La cubierta del ventilador o el tubo de aspirado no está instalado.
- Cable desenchufado.
- Fusible quemado.
- El interruptor automático está activado.
- Interruptor o cable dañado.
- Los residuos bloquean los conductos de entrada y salida o el ventilador.

Solución posible

- Instale la cubierta del ventilador para el modo sopladora o el tubo de aspirado para el modo aspiradora.
- Enchufe el cargador en un tomacorriente que funcione.
- Reemplace el fusible quemado. (Si repetidamente el producto hace que el fusible del circuito se quemé, deje de utilizarlo inmediatamente y haga que le realicen mantenimiento en un centro de mantenimiento Black & Decker o en un centro de servicio autorizado.)
- Reinicie el interruptor automático. (Si repetidamente el producto hace que el fusible del circuito se quemé, deje de utilizarlo inmediatamente y haga que le realicen mantenimiento en un centro de mantenimiento Black & Decker o en un centro de servicio autorizado.)
- Haga reparar el cable o el interruptor en un centro de mantenimiento Black & Decker o en un centro de mantenimiento autorizado.
- Desenchufe el cable de alimentación. Extraiga el tubo de aspirado. Consulte la "Sección de limpieza y almacenamiento: Mantenimiento".

Para conocer la ubicación del centro de mantenimiento más cercano a fin de recibir ayuda con su producto, visite nuestro sitio Web www.blackanddecker.com o llame a la línea de ayuda BLACK & DECKER al **55-5326-7100**

Para reparación y servicio de sus herramientas eléctricas, favor de dirigirse al Centro de Servicio más cercano:

CULIACAN, SIN

Av. Nicolás Bravo #1063 Sur
(667) 7 12 42 11
Col. Industrial Bravo

GUADALAJARA, JAL

Av. La Paz #1779
(33) 3825 6978
Col. Americana Sector Juárez

MEXICO, D.F.

Eje Central Lázaro Cárdenas
No. 18
(55) 5588 9377
Local D, Col. Obrera

MERIDA, YUC

Calle 63 #459-A
(999) 928 5038
Col. Centro

MONTERREY, N.L.

Av. Francisco I. Madero
No.831
(81) 8375 2313
Col. Centro

PUEBLA, PUE

17 Norte #205
(222) 246 3714
Col. Centro

QUERETARO, QRO

Av. Madero 139 Pte.
(442) 214 1660
Col. Centro

SAN LUIS POTOSI, SLP

Av. Universidad 1525
(444) 814 2383
Col. San Luis

TORREON, COAH

Bldv. Independencia, 96 Pte.
(871) 716 5265
Col. Centro

VERACRUZ, VER

Prolongación Díaz Mirón #4280
(229)921 7016
Col. Remes

VILLAHERMOSA, TAB

Constitución 516-A
(993) 312 5111
Col. Centro

PARA OTRAS LOCALIDADES LLAME AL: (55) 5326 7100

Vea "Herramientas
eléctricas (Tools-Electric)"
– Páginas amarillas –
para Servicio y ventas



BLACK & DECKER S.A. DE C.V.
BOSQUES DE CIDROS ACCESO RADI-
ATAS NO. 42
COL. BOSQUES DE LAS LOMAS.
05120 MÉXICO, D.F.
TEL. 55-5326-7100

Free Manuals Download Website

<http://myh66.com>

<http://usermanuals.us>

<http://www.somanuals.com>

<http://www.4manuals.cc>

<http://www.manual-lib.com>

<http://www.404manual.com>

<http://www.luxmanual.com>

<http://aubethermostatmanual.com>

Golf course search by state

<http://golfingnear.com>

Email search by domain

<http://emailbydomain.com>

Auto manuals search

<http://auto.somanuals.com>

TV manuals search

<http://tv.somanuals.com>