



CORDLESS 18 V TRIMMER/ EDGER INSTRUCTION MANUAL

Catalog Number LST1018

Thank you for choosing Black & Decker! Go to www.BlackandDecker.com/NewOwner to register your new product.

PLEASE READ BEFORE RETURNING THIS PRODUCT FOR ANY REASON:

If you have a question or experience a problem with your Black & Decker purchase, go to

[HTTP://WWW.BLACKANDDECKER.COM/INSTANTANSWERS](http://www.BLACKANDDECKER.COM/INSTANTANSWERS)
for instant answers 24 hours a day.

If you can't find the answer or do not have access to the internet, call 1-800-544-6986 from 8 a.m. to 5 p.m. EST Mon. -- Fri. to speak with an agent. Please have the catalog number available when you call.

SAVE THIS MANUAL FOR FUTURE REFERENCE.

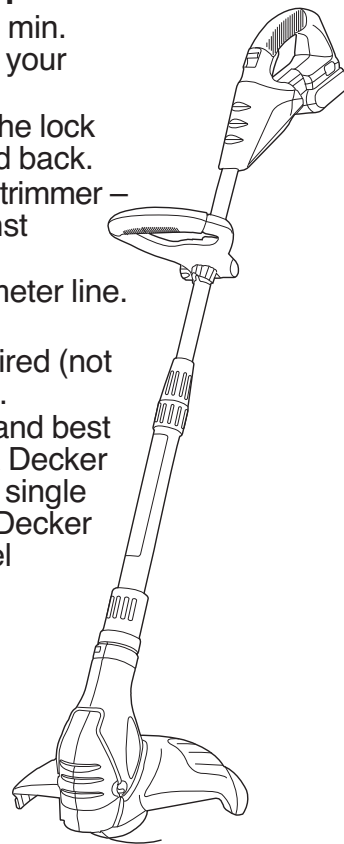
VEA EL ESPAÑOL EN LA CONTRAPORTADA.

POUR LE FRANÇAIS, VOIR LA COUVERTURE ARRIÈRE.

INSTRUCTIVO DE OPERACIÓN, CENTROS DE SERVICIO Y
PÓLIZA DE GARANTÍA. **ADVERTENCIA:** LEÁSE ESTE
INSTRUCTIVO ANTES DE USAR EL PRODUCTO.

KEY INFORMATION YOU SHOULD KNOW:

- Charge battery for 45-50 min. before attempting to use your trimmer/edger.
- To operate the trimmer, the lock out button must be pulled back.
- This is an automatic feed trimmer – Do not bump head against ground.
- Use only 0.065 inch diameter line.
- Install guard.
- Phillips screwdriver required (not supplied) to install guard.
- For trouble free feeding and best results, only use Black & Decker replacement spools with single 0.065 inch line. Black & Decker replacement spool model number AF-100.



⚠️ WARNING: Important Safety Warnings and Instructions

TO REDUCE RISK OF INJURY:

- Read all instructions before operating product. Failure to follow all instructions listed below may result in electric shock, fire and or serious injury.
- Save these instructions and review frequently prior to use and in instructing others.
- Keep long hair and loose clothing away from openings and moving parts.

⚠️ WARNING: When using electric gardening appliances, basic safety precautions should always be followed to reduce risk of fire, electric shock, and personal injury, including the following.

SAFETY GUIDELINES - DEFINITIONS

It is important for you to read and understand this manual. The information it contains relates to protecting YOUR SAFETY and PREVENTING PROBLEMS. The symbols below are used to help you recognize this information.

⚠️ DANGER: Indicates an imminently hazardous situation which, if not avoided, will result in death or serious injury.

⚠️ WARNING: Indicates a potentially hazardous situation which, if not avoided, could result in death or serious injury.

⚠️ CAUTION: Indicates a potentially hazardous situation which, if not avoided, may result in minor or moderate injury.

CAUTION: Used without the safety alert symbol indicates a potentially hazardous situation which, if not avoided, may result in property damage.

⚠️ GENERAL SAFETY WARNINGS AND INSTRUCTIONS FOR ALL TOOLS

- **READ** all instructions.
- **A BATTERY OPERATED UNIT** with integral batteries or a separate battery pack must be recharged only with the specified charger for the battery. A charger that may be suitable for one type of battery may create a risk of fire when used with another battery.
- **USE BATTERY OPERATED UNIT ONLY** with specifically designated battery pack. Use of any other batteries may create a risk of fire.
- **AVOID** accidental starting. Be sure switch is in the locked or off position before inserting battery pack. Carrying units with your finger on the switch or inserting the battery pack into a unit with the switch on invites accidents.
- **DO NOT** use unit if switch does not turn it on or off. A unit that cannot be controlled with the switch is dangerous and must be repaired.
- **DISCONNECT** battery pack from unit or place the switch in the locked or off position before making any adjustments, changing accessories, or storing the unit. Such preventative safety measures reduce the risk of starting the unit accidentally.
- **ALWAYS** use safety glasses. Everyday eyeglasses are NOT safety glasses. Also use face or dust mask if trimming operation is dusty. **ALWAYS WEAR CERTIFIED SAFETY EQUIPMENT:**
 - *ANSI Z87.1 eye protection (CAN/CSA Z94.3),*
 - *ANSI S12.6 (S3.19) hearing protection,*
 - *NIOSH/OSHA respiratory protection.*
- **GUARD** – Do not use this unit without guard attached.
- **DRESS PROPERLY** – Do not wear loose clothing or jewelry. They can be caught in moving parts. Rubber gloves and substantial rubber soled footwear are recommended when working outdoors.
- **Don't operate the unit when barefoot or wearing open sandals. Wear long pants to protect your legs.** Wear protective hair covering to contain long hair.

- **NYLON LINE** – Keep face, hands and feet clear of rotating nylon line at all times.
- **THE ROTATING LINE PERFORMS A CUTTING FUNCTION** – Use care when trimming around screens and desirable plantings.
- **KEEP CHILDREN AWAY** – All visitors should be kept at safe distance from work area.

• **⚠ WARNING:** Make sure that other persons and pets are at least 100 feet (30.5m) away.

• **⚠ WARNING:** To reduce the risk of rebound (ricochet) injury, work going away from any nearby solid object such as a wall, steps, large stone, tree, etc. Use great care when working close to solid objects, and, where necessary, do trimming by hand.

- **AVOID ACCIDENTALLY STARTING** – Don't carry unit with finger on trigger.
- **DO NOT FORCE THE APPLIANCE** – It will do the job better and with less likelihood of a risk of injury at the rate for which it was designed.
- **USE THE RIGHT APPLIANCE** – Do not use this unit for any job except that for which it is intended.
- **DON'T OVERREACH** – Keep proper footing and balance at all times.
- **DAMAGE TO APPLIANCE** – If you strike or become entangled with a foreign object, stop tool immediately, check for damage and have any damage repaired before further operation is attempted. Do not operate with a broken hub or spool.
- **AVOID DANGEROUS ENVIRONMENTAL CONDITIONS** – Do not use electric units in damp or wet locations. Don't use the unit in the rain.
- **DO NOT OPERATE** trimmer in gaseous or explosive atmospheres. Motors in these units normally spark, and the sparks might ignite fumes.
- **STORE IDLE APPLIANCES INDOORS** – When not in use, units should be stored indoors in a dry locked-up place out of reach of children.
- **STAY ALERT**– Watch what you are doing. Use common sense. Do not operate unit when you are tired.

- **MAINTAIN APPLIANCES WITH CARE** – Keep cutting edge sharp and clean for best performance and to reduce the risk of injury. Follow instructions for lubricating and changing accessories. Inspect appliance cord periodically, and if damaged, have it repaired by an authorized service facility. Inspect extension cords periodically and replace if damaged. Keep handles dry, clean, and free from oil and grease.
- **CHECK DAMAGED PARTS** – Before further use of the unit, a guard or other part that is damaged should be carefully checked to determine that it will operate properly and perform its intended function. Check for alignment of moving parts, binding of moving parts, breakage of parts, mounting, and any other condition that may affect its operation. A guard or other part that is damaged should be properly repaired or replaced by an authorized service center unless otherwise indicated elsewhere in this manual.
- **KEEP GUARDS IN PLACE AND IN WORKING ORDER.**

SAVE THESE INSTRUCTIONS

⚠ ADDITIONAL IMPORTANT SAFETY INSTRUCTIONS

- **AVOID DANGEROUS ENVIRONMENT** – Do not use or charge battery in damp or wet locations.
- **DO NOT USE OR CHARGE** battery in rain.
- **REMOVE BATTERY** before servicing, cleaning or removing material from the trimmer. Remove battery from your trimmer and carry by the front handle when not in use.
- **EXERCISE CARE** in handling batteries in order not to short the battery with conducting materials such as rings, bracelets and keys. The battery or conductor may overheat and cause burns.
- **DO NOT OPEN OR MUTILATE** the batteries. Released electrolyte is corrosive and may cause damage to the eyes or skin. It may be toxic if swallowed.

• **⚠ WARNING:** Some dust created by this product contains chemicals known to the State of California to cause cancer,

birth defects or other reproductive harm. Some examples of these chemicals are:

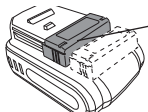
- compounds in fertilizers
- compounds in insecticides, herbicides and pesticides
- arsenic and chromium from chemically treated lumber

To reduce your exposure to these chemicals, wear approved safety equipment such as dust masks that are specially designed to filter out microscopic particles.

SAVE THESE INSTRUCTIONS

⚠ WARNING: Fire hazard. Do not store or carry battery so that metal objects can contact exposed battery terminals. For example, do not place battery in aprons, pockets, tool boxes, product kit boxes, drawers, etc., with loose nails, screws, keys, etc. **Transporting batteries can possibly cause fires if the battery terminals inadvertently come in contact with conductive materials such as keys, coins, hand tools and the like.** The US Department of Transportation Hazardous Material Regulations (HMR) actually prohibit transporting batteries in commerce or on airplanes (i.e., packed in suitcases and carry-on luggage) UNLESS they are properly protected from short circuits. So when transporting individual batteries, make sure that the battery terminals are protected and well insulated from materials that could contact them and cause a short circuit.

BATTERY CAP INFORMATION



Battery Cap

Battery storage and carrying caps are provided for use whenever the battery is out of the tool or charger. Remove cap before placing battery in charger or tool.

Extension Cord

Make sure your extension cord is in good condition. When using an extension cord be sure it is heavy enough to carry the current your product will draw. An undersized extension cord will cause a drop in line voltage resulting in loss of power and overheating. The following table shows the correct size to use depending on cord length and nameplate ampere rating. If in doubt, use the next heavier gauge. The smaller the gauge number, the heavier the cord.

| Volts | Minimum Gauge for Cord Sets | | | | |
|---------------|------------------------------|---------------------|---------|-----------------|----|
| | Total Length of Cord in Feet | | | | |
| 120V | 0-25 | 26-50 | 51-100 | 101-150 | |
| 240V | 0-50 | 51-100 | 101-200 | 201-300 | |
| Ampere Rating | | | | | |
| More Than | Not more Than | American Wire Gauge | | | |
| 0 | - 6 | 18 | 16 | 16 | 14 |
| 6 | - 10 | 18 | 16 | 14 | 12 |
| 10 | - 12 | 16 | 16 | 14 | 12 |
| 12 | - 16 | 14 | 12 | Not Recommended | |

Double Insulation

Double insulated tools are constructed throughout with two separate layers of electrical insulation or one double thickness of insulation between you and the tool's electrical system. Tools built with this insulation system are not intended to be grounded. As a result, your tool is equipped with a two prong plug which permits you to use extension cords without concern for maintaining a ground connection. **NOTE:** Double insulation does not take the place of normal safety precautions when operating this tool. The insulation system is for added protection against injury resulting from a possible electrical insulation failure within the tool. **REPLACEMENT PARTS:** When servicing all tools, USE IDENTICAL REPLACEMENT PARTS. Repair or replace damaged cords.

The label on your tool may include the following symbols.

| | |
|------------------------------|-------------------------------------|
| V.....volts | Aamperes |
| Hz.....hertz | Wwatts |
| minminutes | ~alternating current |
| — — —direct current | nono load speed |
| ☐Class II Construction | ⊕earthing terminal |
| ⚠safety alert symbol | .../minrevolutions per minute |

Important Safety Instructions for Battery Chargers

SAVE THESE INSTRUCTIONS: This manual contains important safety instructions for battery chargers.

- Before using charger, read all instructions and cautionary markings on charger, battery pack, and product using battery pack.

⚠ WARNING: Shock hazard. Do not allow any liquid to get inside charger.

⚠ CAUTION: Burn hazard. To reduce the risk of injury, charge only Black & Decker batteries. Other types of batteries may burst causing personal injury and damage.

⚠ CAUTION: Under certain conditions, with the charger plugged in to the power supply, the charger can be shorted by foreign material. Foreign materials of a conductive nature such as, but not limited to, steel wool, aluminum foil, or any buildup of metallic particles should be kept away from charger cavities. Always unplug the charger from the power supply when there is no battery pack in the cavity. Unplug charger before attempting to clean.

- **The charger supplied with this product is intended to be plugged in such that it is correctly orientated in a vertical or floor mount position.**

⚠ WARNING:

- **DO NOT attempt to charge the battery pack with any chargers**

other than the ones in this manual. The charger and battery pack are specifically designed to work together.

- **These chargers are not intended for any uses other than charging Black&Decker rechargeable batteries.** Any other uses may result in risk of fire, electric shock or electrocution.
- **Do not expose charger to rain or snow.**
- **Pull by plug rather than cord when disconnecting charger.** This will reduce risk of damage to electric plug and cord.
- **Make sure that cord is located so that it will not be stepped on, tripped over, or otherwise subjected to damage or stress.**
- **Do not use an extension cord unless it is absolutely necessary.** Use of improper extension cord could result in risk of fire, electric shock, or electrocution.
- **An extension cord must have adequate wire size (AWG or American Wire Gauge) for safety.** The smaller the gauge number of the wire, the greater the capacity of the cable, that is 16 gauge has more capacity than 18 gauge. When using more than one extension to make up the total length, be sure each individual extension contains at least the minimum wire size.
- **Do not place any object on top of charger or place the charger on a soft surface that might block the ventilation slots and result in excessive internal heat.** Place the charger in a position away from any heat source. The charger is ventilated through slots in the top and the sides of the housing.
- **Do not operate charger with damaged cord or plug** — have them replaced immediately.
- **Do not operate charger if it has received a sharp blow, been dropped, or otherwise damaged in any way.** Take it to an authorized service center.
- **Do not disassemble charger; take it to an authorized service center when service or repair is required.** Incorrect reassembly may result in a risk of electric shock, electrocution or fire.
- **Disconnect the charger from the outlet before attempting any**

cleaning. This will reduce the risk of electric shock. Removing the battery pack will not reduce this risk.

- **NEVER** attempt to connect 2 chargers together.
- **The charger is designed to operate on standard household electrical power (120 Volts). Do not attempt to use it on any other voltage.**

Important Safety Instructions for Battery Packs

⚠ WARNING: For safe operation, read this manual and manuals originally supplied with tool before using the charger.

When ordering replacement battery packs, be sure to include catalog number and voltage.

The battery pack is not fully charged out of the carton. Before using the battery pack and charger, read the safety instructions below. Then follow charging procedures outlined.

READ ALL INSTRUCTIONS

- **Do not incinerate the battery pack even if it is severely damaged or is completely worn out.** The battery pack can explode in a fire.
- **Do not charge or use battery in explosive atmospheres, such as in the presence of flammable liquids, gases or dust.** Inserting or removing the battery from the charger may ignite the dust or fumes.
- **If battery contents come into contact with the skin, immediately wash area with mild soap and water.** If battery liquid gets into the eye, rinse water over the open eye for 15 minutes or until irritation ceases. If medical attention is needed, the battery electrolyte for LI-ION batteries is composed of a mixture of liquid organic carbonates and lithium salts. For NI-CD batteries it is a 25-35% solution of potassium hydroxide.

- **Contents of opened battery cells may cause respiratory irritation.** Provide fresh air. If symptoms persists, seek medical attention

⚠ WARNING: Burn hazard. Battery liquid may be flammable if exposed to spark or flame.

- Charge the battery packs only in Black & Decker chargers.
- **DO NOT** splash or immerse in water or other liquids.
- **Do not store or use the tool and battery pack in locations where the temperature may reach or exceed 105°F (40°) (such as outside sheds or metal buildings in summer).**

⚠ WARNING: Never attempt to open the battery pack for any reason. If battery pack case is cracked or damaged, do not insert into charger. Do not crush, drop or damage battery pack. Do not use a battery pack or charger that has received a sharp blow, been dropped, run over or damaged in any way (i.e., pierced with a nail, hit with a hammer, stepped on). Damaged battery packs should be returned to service center for recycling.

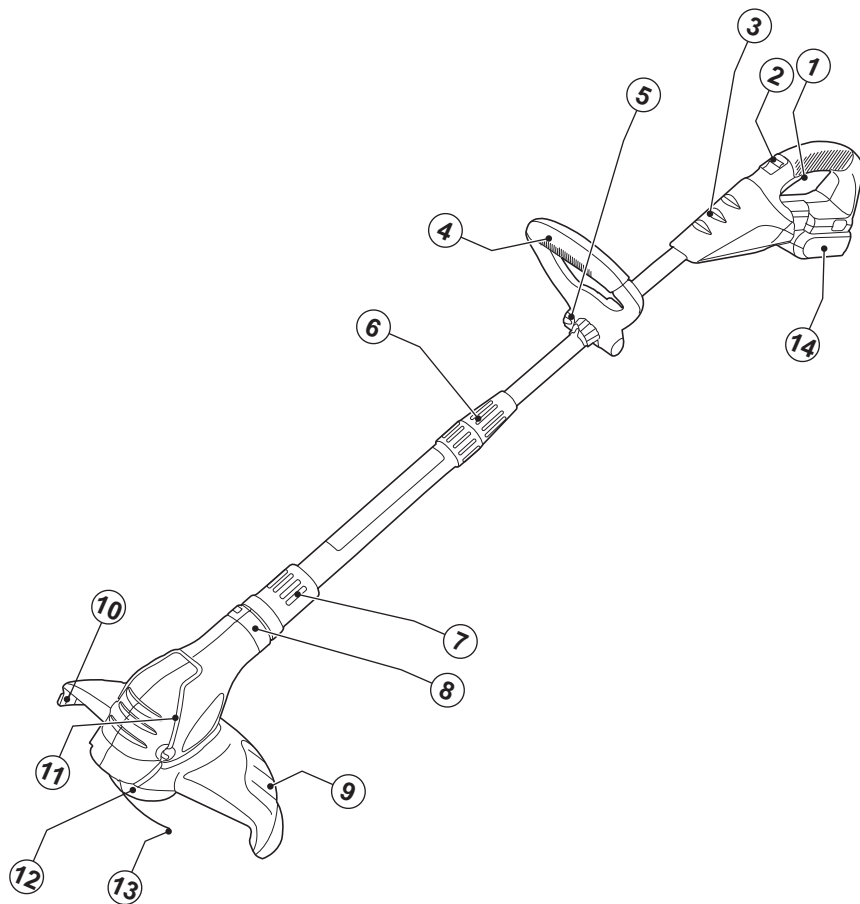
⚠ CAUTION: When not in use, place tool on its side on a stable surface where it will not cause a tripping or falling hazard. Some tools with large battery packs will stand upright but may be easily knocked over.

STORAGE RECOMMENDATION

1. Store tool:
 - a.) with the battery pack removed and on the charger.
 - b.) in a place that is cool and dry away from direct sunlight and excess heat or cold.
 - c.) out of the reach of children.
2. For prolonged storage such as over the winter, the battery pack should be fully charged and then removed from the charger. It should be charged again just prior to use.

Features

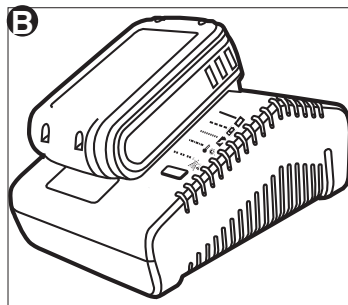
1. On/off switch
2. Lock-off button
3. Main handle
4. Secondary handle
5. Handle knob
6. Handle adjustment collar
7. Mode adjustment collar
8. Motor housing
9. Guard
10. Line trimming blade
11. Edge guide
12. Spool housing
13. Cutting line
14. Battery



Charging Procedure

This charger will fully charge the 18V Lithium battery in 45-60 minutes, depending on the level of charge in the pack.

1. Plug the charger into an appropriate outlet before inserting the battery pack.
2. Insert the battery pack into the charger. (Fig. B)



3. The LED will flash indicating that the battery is being charged.
4. The completion of charge is indicated by the LED remaining on continuously. The pack is fully charged and may be used at this time or left on the charger.

Charger Diagnostics

This charger is designed to detect certain problems that can arise with the battery packs or the power source. Problems are indicated by one LED flashing in different patterns.

Bad battery

The charger can detect a weak or damaged battery. The LED flashes in the pattern indicated on the label. If you see this bad battery blink pattern, do not continue to charge the battery. Return it to a service center or a collection site for recycling.

Hot/Cold pack delay

When the charger detects a battery that is excessively hot or excessively cold, it automatically starts a Hot/Cold Pack

Delay, suspending charging until the battery has normalized. After this happens, the charger automatically switches to the Pack Charging mode. This feature ensures maximum battery life. The light flashes in the pattern indicated on the label.

Problem power line

When the charger is used with some portable power sources such as generators or sources that convert DC to AC, the charger may temporarily suspend operation. The LED flashes in the pattern indicated on the label. This indicates that the power source is out of limits.

Leaving the battery in the charger

The charger and battery pack can be left connected with the LED glowing indefinitely. The charger will keep the battery pack fresh and fully charged. This charger features an automatic tune-up mode which equals or balances the individual cells in the battery pack to allow it to function at peak capacity.

Important Charging Notes

1. Longest life and best performance can be obtained if the battery pack is charged when the air temperature is between 65°F and 75°F (18° - 24°C). DO NOT charge the battery pack in an air temperature below +40°F (+4.5°C), or above +105°F (+40.5°C). This is important and will prevent serious damage to the battery pack.
2. The charger and battery pack may become warm to touch while charging. This is a normal condition, and does not indicate a problem. To facilitate the cooling of the battery pack after use, avoid placing the charger or battery pack in a warm environment such as in a metal shed, or an uninsulated trailer.
3. If the battery pack does not charge properly:
 - a. Check current at receptacle by plugging in another appliance
 - b. Check to see if receptacle is connected to a light switch which turns power off when you turn out the lights.
 - c. Move charger and battery pack to a location where the surrounding air temperature is approximately 65°F - 75°F (18° - 24°C).

d. If charging problems persist, take the tool, battery pack and charger to your local service center.

4. The battery pack should be recharged when it fails to produce sufficient power on jobs which were easily done previously. DO NOT CONTINUE to use under these conditions. Follow the charging procedure. You may also charge a partially used pack whenever you desire with no adverse affect on the battery pack.

5. Foreign materials of a conductive nature such as, but not limited to, steel wool, aluminum foil, or any buildup of metallic particles should be kept away from charger cavities. Always unplug the charger from the power supply when there is no battery pack in the cavity. Unplug charger before attempting to clean.

6. Do not freeze or immerse charger in water or any other liquid.

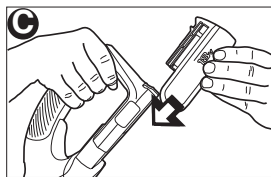
⚠ WARNING: **Shock hazard.** Do not allow any liquid to get inside charger. *Never attempt to open the battery pack for any reason. If the plastic housing of the battery pack breaks or cracks, return to a service center for recycling.*

ASSEMBLY

⚠ WARNING: Before assembly, remove the battery from the tool.

FITTING AND REMOVING THE BATTERY (FIGURE C)

- To fit the battery, line it up with the receptacle on the tool. Slide the battery into the receptacle and push until the battery snaps into place.
- To remove the battery, push the release button while at the same time pulling the battery out of the receptacle.



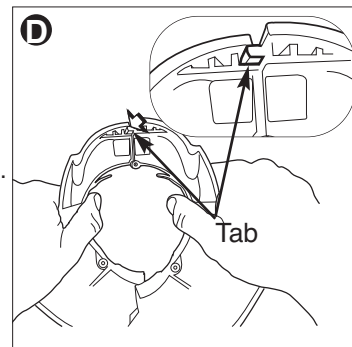
ASSEMBLING AND ATTACHING THE TWO PIECE GUARD

- Phillips screwdriver required (not supplied) to install guard.

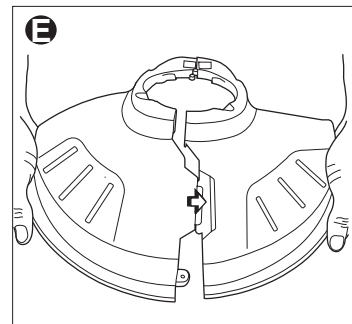
⚠ WARNING: Remove battery pack from tool before attempting to attach the guard or make any adjustment. NEVER OPERATE TOOL WITHOUT GUARD FIRMLY IN PLACE. The guard must always be on the tool to protect the user.

TO ASSEMBLE:

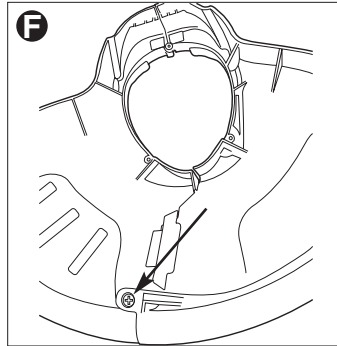
- Remove the two guard sections from the carton.
- Holding the sections as shown in **figure D**, insert the tab from the first guard section into the slot of the second guard section. See inset.



- Insert the **side tab** from the first guard section into the slot of the second guard section until you hear them “snap” together (**figure E**).

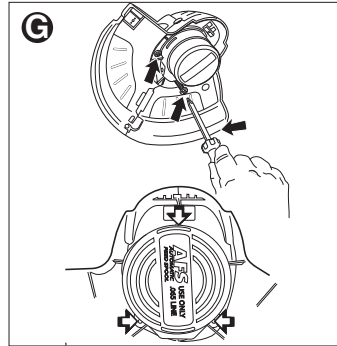


- Insert the 3/4 inch (19mm) screw as shown in **figure F** to complete the guard assembly.



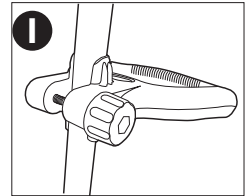
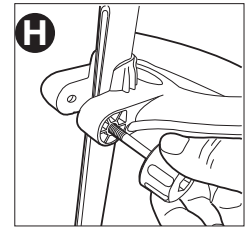
TO ATTACH:

- Place the assembled guard over the spool as shown in **figure G** and insert the remaining three screws into the guard as indicated by the arrows.
- Once the guard is installed, remove the covering from the line cut-off blade, located on the edge of the second guard section.



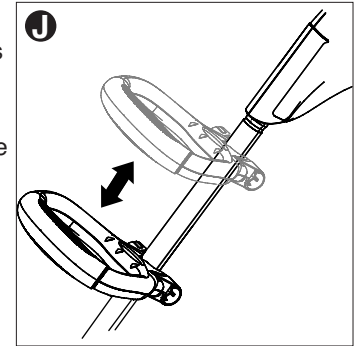
Auxillary handle attachment

Push the auxillary handle onto the upper tube. Position the handle so that the groove in the tube is located in the middle of the handle opening. Insert the handle bolt through the hole in the handle as shown in **figure H and I**.



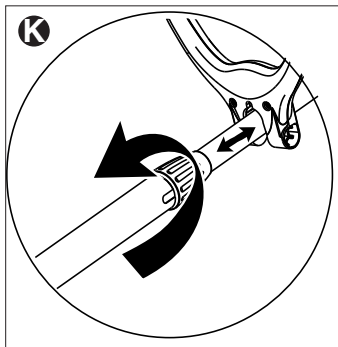
AUXILIARY HANDLE ADJUSTMENT

For maximum comfort and control, adjust the auxillary handle to suit your height (**figure J**). Shorter users adjust handle to a lower position (away from you) and taller users, adjust handle to an upper position (towards you). The handle should be adjusted so that your front arm is straight as shown in **figure M**.



HEIGHT ADJUSTMENT

The overall height of the trimmer can be adjusted by loosening the lock collar and rotating it opposite to the arrow shown in **figure K**. The tubes can then be extended shorter or longer. When the desired height is achieved tighten the collar by rotating in the direction shown in **figure K**.



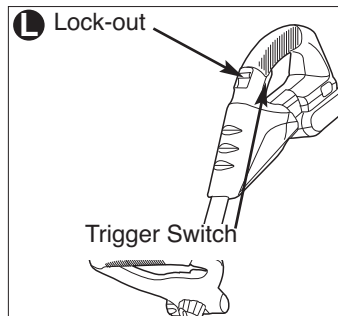
Operating Instructions

⚠ CAUTION: ALWAYS WEAR EYE PROTECTION.

⚠ CAUTION: Inspect area to be trimmed and remove any wire, cord, or string-like objects which could become entangled in the rotating line or spool. Be particularly careful to avoid any wire which might be bent outwardly into the path of the tool, such as barbs at the base of a chain link fence.

OPERATE THE TRIMMER/EDGER

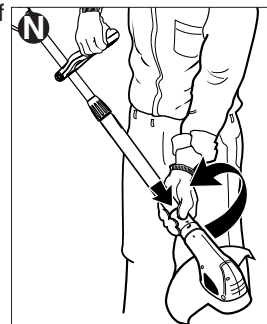
- To turn trimmer on, pull the lock out button, shown in **figure L**, back and, then squeeze the trigger switch. To turn the tool off, release the trigger.



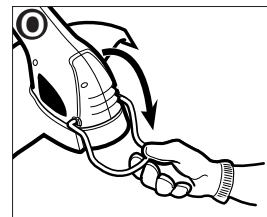
- Slowly swing trimmer side-to-side as shown in **figure M**.



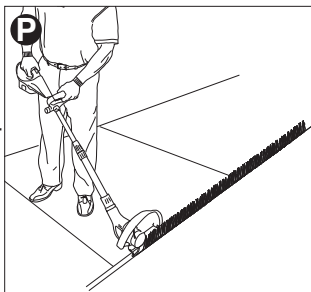
- To convert for maintenance edging, turn off the tool. As shown in **figure N**, hold the trimmer with one hand by the auxiliary handle, grasp the collar and push in direction of arrow and rotate the trimmer head until it stops, (half turn), release your hand, (rotate clockwise when viewed from the switch end). The tool is locked in the edger position.



Rotate the wire edge guide forward and down into place before edging, as shown in **figure O**.



- To operate as a maintenance edger, position trimmer above sidewalk as shown in **figure P**.
- Return to trimming position by turning the tool off, push in direction of arrow and rotating the trimmer head counter clockwise until it stops. When using the tool in the trimmer mode you may choose to fold the wire edge guide up out of the way.



LINE FEEDING

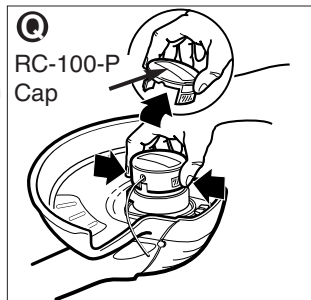
Your trimmer uses .065 in. (1.65mm) diameter nylon line to cut grass and weeds quickly and easily. In time, the tip of the nylon line will become worn and the auto feed mechanism will automatically feed and trim a fresh length of line.

The cutting line will wear faster if the cutting is done along sidewalks or other abrasive surfaces or heavier weeds are being cut. The automatic feed mechanism senses when more cutting line is needed and feeds and trims the correct length of line whenever it is required. You don't even have to think about it. Do not bump unit on ground in attempt to feed line or for any other purpose.

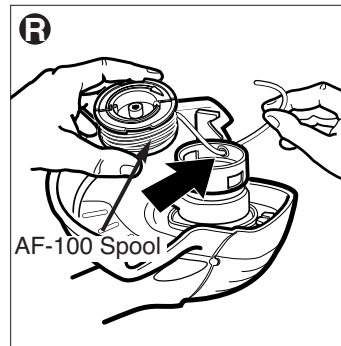
REPLACING SPOOL/CLEARING JAMS AND TANGLED LINES

From time to time, especially when cutting thick or stalky weeds, the line feeding hub may become clogged with sap or other material and the line will become jammed as a result. To clear the jam, follow the steps listed below.

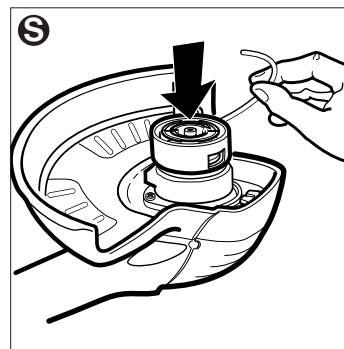
- Turn off the trimmer and remove the battery.
- Press the release tabs on the line spool cover, as shown in **figure Q** and remove the cover by pulling it straight off.



- Lift the spool of nylon line out of the hub and clear any broken line or cutting debris from the spool area.
- In case of jams and tangled line unwrap about one foot (30cm) of line to ensure that it is undamaged. If it is OK rewind it and insert the line end through the eyelet in the spool hub, as shown in **figure R**.



- Pull the line through the hole to maintain tension while placing the spool down into the hub with the notched side exposed, as shown in **figure S**.
- Press the spool down **GENTLY** and rotate it until you feel it drop into place. (When in place, the spool will turn a few degrees left and right freely.)
- Snap the spool cover back on, insert the battery and turn the tool on. In a few seconds or less you'll hear the nylon line being cut automatically to the proper length.
- For trouble free feeding and best results, only use Black & Decker replacement spools with single 0.065 inch line. Black & Decker replacement model number AF-100.

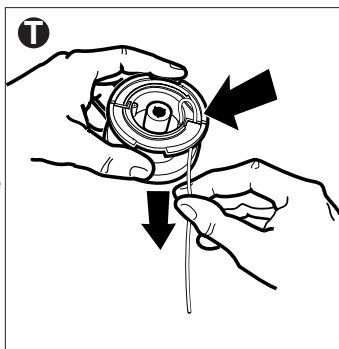


REWINDING SPOOL FROM BULK LINE (USE ONLY .065 IN. DIAMETER LINE)

Bulk line is also available for purchase from your local retailer.

NOTE: Hand wound spools from bulk line are likely to become tangled more frequently than Black & Decker factory wound spools. To install bulk line, follow the steps below.

- Turn off the trimmer and remove the battery.
- Press the release tabs on the line spool cover, as shown in **figure Q** and remove the cover by pulling it straight off.
- Remove the spool from the tool and remove and discard all line on the spool.
- Insert one end of the bulk line into the hole in the spool shown in **figure T** about 1/2 in. (12mm).
- Hold the line in the hole and pull the rest of the line through the slot in the spool, shown in **figure T**.
- Snugly and evenly wind the bulk line onto the spool in the direction of the arrow on spool in **figure T** until it is nearly full.
- Insert the line end through the eyelet in the spool hub, as shown in **figure R**. Pull the line through the hole to maintain tension while placing the spool down into the hub with the notched side exposed, as shown in **figure S**.
- Press the spool down **GENTLY** and rotate it until you feel it drop into place. (When in place, the spool will turn a few degrees left and right freely.)
- Snap the spool cover back on, insert the battery and turn the tool on. In a few seconds or less you'll hear the nylon line being cut automatically to the proper length.



Maintenance

- Use only mild soap and damp cloth to clean the tool. Never let any liquid get inside the tool; never immerse any part of the tool into a liquid.
- ⚠ **WARNING:** Remove or disconnect battery before servicing, cleaning or removing material from the gardening appliance.

Accessories

- Recommended accessories for use with your tool are available from your local dealer or authorized service center. If you need assistance regarding accessories, please call: **1-800-544-6986**.
- Use Black & Decker replacement spool No. AF-100.
- Spool cap replacement part no. RC-100-P.
- Reload nylon line (either bulk or prewrapped replacement spool) as shown in this manual.
- **USE ONLY .065 in. (1.65mm) DIAMETER NYLON MONOFILAMENT LINE.** Heavier line will overload the motor, cause overheating and will impair the automatic feed. This line is available at your local dealer or authorized service center.
- Do not use fishing line or other lines that are not recommended.
- ⚠ **WARNING:** The use of any accessory not recommended for use with this tool could be hazardous.

IMPORTANT

To assure product SAFETY and RELIABILITY, repairs, maintenance and adjustment should be performed by authorized service centers or other qualified service organizations, always using identical replacement parts.

The RBRC™ Seal

The RBRC™ (Rechargeable Battery Recycling Corporation) Seal on the lithium-ion battery (or battery pack) indicates that the costs to recycle the battery (or battery pack) at the end of its useful life have already been paid by Black & Decker. In some areas, it is illegal to place spent lithium-ion batteries in the trash or municipal solid waste stream and the RBRC program provides an environmentally conscious alternative.



RBRC in cooperation with Black & Decker and other battery users, has established programs in the United States and Canada to facilitate the collection of spent lithium-ion batteries. Help protect our environment and conserve natural resources by returning the spent lithium battery to an authorized Black & Decker service center for recycling. You may also contact your local recycling center for information on where to drop off the spent battery, or call **1-800-8-BATTERY**.

SERVICE INFORMATION

All Black & Decker Service Centers are staffed with trained personnel to provide customers with efficient and reliable power tool service. Whether you need technical advice, repair, or genuine factory replacement parts, contact the Black & Decker location nearest you. To find your local service location, refer to the yellow page directory under "Tools—Electric" or call: **1-800-544-6986** or visit www.blackanddecker.com

FULL TWO-YEAR HOME USE WARRANTY

Black & Decker (U.S.) Inc. warrants this product for two years against any defects in material or workmanship. The defective product will be replaced or repaired at no charge in either of two ways.

The first, which will result in exchanges only, is to return the product to the retailer from whom it was purchased (provided that the store is a participating retailer). Returns should be made within the time period of the retailer's policy for exchanges (usually 30 to 90 days

after the sale). Proof of purchase may be required. Please check with the retailer for their specific return policy regarding returns that are beyond the time set for exchanges.

The second option is to take or send the product (prepaid) to a Black & Decker owned or authorized Service Center for repair or replacement at our option. Proof of purchase may be required. Black & Decker owned and authorized Service Centers are listed under "Tools-Electric" in the yellow pages of the phone directory. This warranty does not apply to accessories. This warranty gives you specific legal rights and you may have other rights which vary from state to state or province to province. Should you have any questions, contact the manager of your nearest Black & Decker Service Center. This product is not intended for commercial use.

FREE WARNING LABEL REPLACEMENT: If your warning labels become illegible or are missing, call **1-800-544-6986** for a free replacement.

LATIN AMERICA: This warranty does not apply to products sold in Latin America. For products sold in Latin America, check country specific warranty information contained in the packaging, call the local company or see the website for warranty information.

TROUBLESHOOTING

| Problem | Possible Cause | Possible Solution |
|--|---|--|
| <ul style="list-style-type: none"> • Line won't feed. | <ul style="list-style-type: none"> • Line tangled in spool. | <ul style="list-style-type: none"> • Unwrap 24 inches (610mm) of line and rewind. |
| <ul style="list-style-type: none"> • Line fails to cut off. | <ul style="list-style-type: none"> • Line cutter in guard is damaged or missing. • Line extends past guard. | <ul style="list-style-type: none"> • Return to service center for repair. • Rewind or trim line to line cutter. |
| <ul style="list-style-type: none"> • Unit will not start. | <ul style="list-style-type: none"> • Battery not installed properly. • Battery not charged. | <ul style="list-style-type: none"> • Check battery installation. • Check battery charging requirements. |
| <ul style="list-style-type: none"> • Battery won't charge. | <ul style="list-style-type: none"> • Battery not inserted into charger. • Charger not plugged in. • Surrounding air temperature too hot or too cold. | <ul style="list-style-type: none"> • Insert battery into charger until LED appears. • Plug charger into a working outlet. Refer to "Important Charging Notes" for more details. • Check current at receptacle by plugging in a lamp or other appliance. • Check to see if receptacle is connected to a light switch which turns power off when you turn out the lights. • Move charger and tool to a surrounding air temperature of above 40 degree F(4.5°C) or below 105 degree F (+40.5°C). |

For assistance, visit our website www.blackanddecker.com for the location of the service center nearest you or call the BLACK & DECKER help line at **1-800-544-6986**.



Imported by
Black & Decker (U.S.) Inc.,
701 E. Joppa Rd.
Towson, MD 21286 U.S.A.

See 'Tools-Electric'
– Yellow Pages –
for Service & Sales





LST1018 TAILLE-BORDURE/COUPE BORDURE - MODE D'EMPLOI

**Merci d'avoir choisi Black & Decker!
Consulter le site Web
www.BlackandDecker.com/NewOwner
pour enregistrer votre nouveau produit.**

A LIRE AVANT DE RETOURNER CE PRODUIT POUR QUELQUE RAISON QUE CE SOIT :

Si des questions ou des problèmes surgissent après l'achat d'un produit Black & Decker, consulter le site Web

[HTTP://WWW.BLACKANDDECKER.COM/INSTANTANSWERS](http://WWW.BLACKANDDECKER.COM/INSTANTANSWERS)

pour obtenir des réponses instantanément 24 heures par jour.

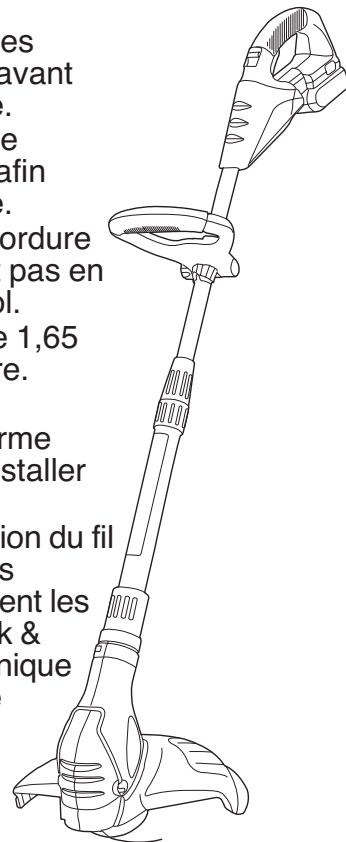
Si la réponse est introuvable ou en l'absence d'accès à Internet, composer le 1-800-544-6986 de 8 h à 17 h HNE, du lundi au vendredi, pour parler avec un agent.

Prière d'avoir le numéro de catalogue sous la main lors de l'appel.

CONSERVER CE MANUEL POUR UN USAGE ULTERIEUR.

RENSEIGNEMENTS IMPORTANTES

- Charger l'ensemble de piles pendant 45 à 60 minutes avant d'utiliser le coupe-bordure.
- Il faut pousser le bouton de verrouillage vers l'arrière afin d'utiliser le coupe-bordure.
- L'alimentation du coupe-bordure est automatique; il ne faut pas en frapper la tête contre le sol.
- Utiliser seulement du fil de 1,65 mm (0,065 po) de diamètre.
- Installer le protecteur.
- Tournevis à pointe cruciforme requis (non fourni) pour installer un pare-main.
- Pour obtenir une alimentation du fil sans tracas et des résultats optimaux, utiliser uniquement les bobines de rechange Black & Decker pourvues d'un fil unique de 1,65 mm (0,065 po). Le numéro de modèle de la bobine de rechange Black & Decker est AF-100.



⚠ AVERTISSEMENT : avertissements de sécurité et directives importantes

REDUCTION DES RISQUES ET DES BLESSURES :

- Lire toutes les directives avant d'utiliser le produit. Négliger de suivre toutes les directives suivantes peut entraîner des risques de chocs électriques, d'incendie et/ou de blessures graves.
- Conserver ces directives et les examiner fréquemment avant d'utiliser l'appareil ou de donner des directives aux autres.
- Éloigner les cheveux et les vêtements amples des ouvertures et des pièces mobiles.

⚠ AVERTISSEMENT : si des outils

électriques de jardinage sont utilisés, des précautions de base en matière de sécurité doivent être suivies afin de réduire le risque d'incendie, de choc électrique et de blessure corporelle, notamment les suivantes.

LIGNES DIRECTRICES EN MATIERE DE SECURITE - DEFINITIONS

Il est important que vous lisiez et compreniez ce mode d'emploi. Les informations qu'il contient concernent VOTRE SÉCURITÉ et visent à ÉVITER TOUT PROBLÈME. Les symboles ci-dessous servent à vous aider à reconnaître cette information.

⚠ DANGER : Indique une situation dangereuse imminente qui, si elle n'est pas évitée, causera la mort ou des graves blessures.

⚠ AVERTISSEMENT : Indique une situation potentiellement dangereuse qui, si elle n'est pas évitée, pourrait causer la mort ou de graves blessures.

⚠ MISE EN GARDE : Indique une situation potentiellement dangereuse qui, si elle n'est pas évitée, pourrait causer des blessures mineures ou modérées.

MISE EN GARDE : Utilisé sans le symbole d'alerte à la sécurité, indique une situation potentiellement dangereuse qui, si elle n'est pas évitée, peut résulter en des dommages à la propriété.

⚠ AVERTISSEMENTS ET DIRECTIVES DE SÉCURITÉ GÉNÉRALES POUR TOUS LES OUTILS

- **LIRE** toutes les directives.
- **UN APPAREIL A PILES** intégrées ou fonctionnant sur un bloc-piles externe doit être rechargé uniquement au moyen du chargeur prévu pour les piles utilisées. L'utilisation d'un chargeur qui convient à un type de bloc-piles risque de provoquer un incendie s'il est utilisé avec un autre type de bloc-piles.
- **UTILISER L'APPAREIL FONCTIONNANT SUR PILES** uniquement avec le bloc-piles spécialement conçu à cet effet. L'utilisation de toute autre pile peut provoquer un incendie.
- **ÉVITER** les démarrages intempestifs. S'assurer que l'interrupteur est verrouillé ou en position arrêt avant d'insérer le bloc-piles. Transporter un appareil alors que votre doigt repose sur l'interrupteur ou insérer le bloc-piles dans un appareil alors que l'interrupteur est en position marche risque de provoquer un accident.
- **NE PAS** utiliser l'appareil si l'interrupteur ne fonctionne pas. Un appareil dont l'interrupteur ne fonctionne pas est dangereux et doit être réparé.
- **DEBRANCHER** le bloc-piles de l'appareil ou régler l'interrupteur à la position de verrouillage ou d'arrêt avant d'effectuer tout réglage, de changer d'accessoire ou de ranger l'appareil. De telles mesures de sécurité préventives réduisent le risque de mettre l'unité en marche accidentellement.
- **TOUJOURS** porter des lunettes de sécurité. Les lunettes ordinaires ne constituent PAS des lunettes de sécurité. Utiliser également un masque facial ou antipoussière si le taillage génère de la poussière. **TOUJOURS PORTER UN ÉQUIPEMENT DE SÉCURITÉ HOMOLOGUÉ :**
 - *protection oculaire conforme à la norme ANSI Z87.1 (CAN/CSA Z94.3),*
 - *protection auditive conforme à la norme ANSI S12.6 (S3.19) et*
 - *protection des voies respiratoires conforme aux normes NIOSH/OSHA.*

- **DISPOSITIF DE PROTECTION** – Ne pas utiliser cet appareil sans le garde protecteur en place.
- **S’HABILLER DE MANIÈRE APPROPRIÉE** – Ne pas porter de vêtements amples ni de bijoux. Ils peuvent s’enchevêtrer dans les pièces mobiles. Des gants en caoutchouc et des chaussures adéquates à semelles en caoutchouc sont recommandés lors de travaux à l’extérieur. **Ne pas utiliser l’appareil si vous êtes pieds nus ou si vous portez des sandales ouvertes.** Porter des pantalons longs pour protéger vos jambes. Couvrir les cheveux s’ils sont longs.
- **FIL EN NYLON** - Tenir le visage, les mains et pieds loin du fil de nylon rotatif en tout temps.
- **LE FIL EN ROTATION EXÉCUTE UNE COUPE** - Être attentif lors de taillage autour de grillages et de plates-bandes.
- **TENIR LES ENFANTS À L’ÉCART** – Tous les visiteurs doivent se trouver à une distance sûre de la zone de travail.
- **⚠ AVERTISSEMENT** : s’assurer que toutes les personnes et animaux sont éloignés d’au moins 30,5 m (100 pi).
- **⚠ AVERTISSEMENT** : pour réduire le risque de blessures par ricochet, travailler en s’éloignant de tout objet solide tel un mur, des marches, de grosses pierres, des arbres, etc. Être très prudent lors de travaux près d’objets solides et, le cas échéant, tailler manuellement.
- **ÉVITER LES DÉMARRAGES ACCIDENTELS** – Ne pas transporter l’outil avec le doigt sur la détente.
- **NE PAS FORCER L’APPAREIL** – le travail sera mieux fait à la vitesse pour lequel il a été conçu et sans risque de blessure.
- **UTILISER LE BON APPAREIL** – Ne pas utiliser cet appareil pour tout autre type de travail que pour celui auquel il est destiné.
- **NE PAS TROP TENDRE LES BRAS** – Conserver son équilibre en tout temps.
- **OUTIL ENDOMMAGÉ** – Si l’utilisateur se frappe ou devient enchevêtré dans un objet, il faut arrêter immédiatement l’outil, le débrancher puis inspecter s’il y a des dommages qui devront être réparés avant une autre utilisation. Ne pas utiliser avec un moyeu ou une bobine brisé(e).
- **ÉVITER LES CONDITIONS ENVIRONNEMENTALES DANGEREUSES** – Ne pas utiliser d’appareils électriques dans des lieux humides ou mouillés. Ne pas utiliser l’appareil sous la pluie.
- **NE PAS UTILISER** le taille-bordure dans un milieu à atmosphère gazeuse ou déflagrante. Les moteurs de ces appareils produisent normalement des étincelles qui pourraient enflammer des vapeurs.
- **RANGER LES APPAREILS INUTILISÉS À L’INTÉRIEUR** – Lorsqu’ils ne sont pas utilisés, les appareils doivent être rangés à l’intérieur, dans un endroit sec et verrouillé, hors de portée des enfants.
- **ÊTRE VIGILANT** – Surveiller le travail effectué. Faites preuve de jugement. Ne pas utiliser l’appareil si vous êtes fatigué.
- **ENTRETENIR L’APPAREIL AVEC SOIN** – Garder les lames de coupe tranchantes et propres afin d’assurer la meilleure performance et pour réduire le risque de blessure. Suivre les consignes de graissage et de changement d’accessoires. Inspecter régulièrement le cordon d’alimentation, en cas de dommages, le faire réparer par un centre de réparation autorisé. Inspecter régulièrement les rallonges électriques et les remplacer si elles sont endommagées. Maintenez les poignées sèches, propres et exemptes d’huile et de graisse.
- **VÉRIFIER LES PIÈCES ENDOMMAGÉES** – Avant toute utilisation ultérieure de l’appareil, examiner soigneusement le dispositif de protection endommagé, ou toute autre pièce endommagée, afin d’assurer un fonctionnement adéquat selon sa fonction prévue. Vérifier l’alignement des pièces mobiles, la présence de grippage des pièces mobiles, de rupture de pièces, la fixation et tout autre problème pouvant nuire au fonctionnement de l’outil. Un dispositif de protection endommagé, ou toute autre pièce endommagée, doit être réparé ou remplacé adéquatement par un centre de réparation autorisé à moins d’un avis contraire indiqué dans le présent mode d’emploi.
- **MAINTENIR LES DISPOSITIFS DE PROTECTION EN PLACE ET EN BON ÉTAT DE FONCTIONNEMENT.**

CONSERVER CES DIRECTIVES

IMPORTANTES DIRECTIVES SUPPLÉMENTAIRES DE SÉCURITÉ

- **ÉVITER LES ENVIRONNEMENTS DANGEREUX** - Ne pas utiliser ni charger le bloc-piles dans un endroit humide ou mouillé.
- **NE PAS UTILISER OU CHARGER** le bloc-piles sous la pluie.
- **RETIRER LE BLOC-PILES** avant toute réparation, nettoyage ou retrait de matière du taille-bordure. Lorsque le taille-bordure est inutilisé, retirer le bloc-piles et le transporter par la poignée avant.
- **PRENDRE GARDE** en manipulant les piles afin de ne pas provoquer de court-circuit entre les piles et des objets conducteurs, comme des bagues, des bracelets et des clés. La pile ou le conducteur peut surchauffer et causer des brûlures.
- **NE PAS OUVRIR NI ALTERER** le bloc-piles. L'électrolyte libéré est corrosif et peut endommager les yeux et la peau. Il peut être toxique si avalé.

⚠ AVERTISSEMENT : certaines poussières produites par ce produit contiennent des produits chimiques reconnus par l'État de la Californie comme pouvant causer le cancer, des anomalies congénitales et d'autres dangers pour la reproduction. Voici quelques exemples de ces produits chimiques :

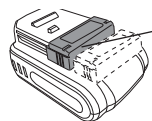
- composés présents dans les engrais
- composés présents dans les insecticides, herbicides et pesticides
- arsenic et chrome provenant de bois traité chimiquement

Pour réduire votre exposition à ces produits chimiques, porter un équipement de sécurité approuvé comme un masque anti-poussières conçu spécialement pour filtrer les particules microscopiques.

CONSERVER CES DIRECTIVES

⚠ AVERTISSEMENT : risque d'incendie. Ne pas ranger ni ne transporter les piles de manière à ce que des objets métalliques puissent entrer en contact avec les bornes exposées des piles. Par exemple, ne pas mettre un bloc-piles dans un tablier, une poche, une boîte à outils, une boîte de nécessaire de produit ou un tiroir contenant des objets tels que des clous, **des vis ou des clés, car tout contact accidentel entre les bornes à découvert et un objet métallique conducteur comme une clé, une pièce de monnaie, un outil à main, etc. risque de provoquer un incendie.** La Hazardous Material Regulations (réglementation sur les produits dangereux) du département américain des transports interdit en fait le transport des blocs-piles pour le commerce et dans les avions (c.-à-d. dans des valises et les bagages à main) À MOINS qu'ils ne soient bien protégés contre les courts-circuits. Pour le transport de piles individuelles, on doit donc s'assurer que les bornes sont protégées et bien isolées contre toute matière pouvant entrer en contact avec elles et provoquer un court-circuit.

Information concernant le capuchon du bloc-pile



Capuchon du bloc-pile

Un capuchon est fourni avec le bloc-pile en vue d'être utilisé chaque fois qu'on retire ce dernier de l'outil ou du chargeur en vue de le ranger ou de le transporter; enlever le capuchon avant de remettre le bloc-pile dans le chargeur ou dans l'outil.

Cordons de rallonge

S'assurer que la rallonge est en bon état. Lorsque qu'une rallonge électrique est utilisée, s'assurer d'en utiliser une de calibre suffisamment élevé pour assurer le transport du courant nécessaire au fonctionnement de votre appareil. Une rallonge de calibre inférieur causera une chute de tension de ligne et donc une perte de puissance et une surchauffe. Le tableau suivant indique le calibre approprié à utiliser selon la longueur du cordon et l'intensité nominale de la plaque

signalétique. En cas de doute, utiliser le calibre supérieur suivant. Plus le numéro de calibre est petit, plus le cordon est de calibre élevé.

| Calibre minimal des cordons de rallonge | | | | | |
|---|------------------------------------|------------------------------|-------------------------|-------------------------|----|
| Tension | Longueur totale du cordon en pieds | | | | |
| 120V | 0-25 (0-7,6m) | 26-50 (7,6-15,2m) | 51-100 (15,2-30,4m) | 101-150 (30,4-45,7m) | |
| 240V | 0-50 (0-15,2m) | 51-100 (15,2-30,4m) | 101-200 (30,4-60,9m) | 201-300 (60,9-91,4m) | |
| Intensité (A) | | Calibre moyen des fils (AWG) | | | |
| Au moins | Au plus | | | | |
| 0 | - 6 | 18 | 16 | 16 | 14 |
| 6 | - 10 | 18 | 16 | 14 | 12 |
| 10 | - 12 | 16 | 16 | 14 | 12 |
| 12 | - 16 | 14 | 12 | Non recommandé | |

Double isolation

Les outils à double isolation comportent partout deux couches d'isolation électrique distinctes ou une double épaisseur de matériau isolant entre l'opérateur et le système électrique de l'outil.

Les outils comportant ce système d'isolation ne sont pas conçus pour être mis à la terre. Votre outil est donc doté d'une prise à deux broches qui vous permet d'utiliser des cordons d'alimentation sans vous soucier de maintenir une connexion à la terre.

REMARQUE : la double isolation ne remplace pas les précautions normales de sécurité lors de l'utilisation de cet outil. Le système d'isolation sert à apporter une protection accrue contre toute blessure résultant d'une défaillance d'isolation électrique potentielle à l'intérieur de l'outil.

PIÈCES DE RECHANGE : pour réparer tout outil, VEUILLEZ UTILISER DES PIÈCES DE RECHANGE IDENTIQUES. Réparer ou remplacer les cordons d'alimentation endommagés.

L'étiquette apposée sur votre outil pourrait comprendre les symboles suivants.

| | | | |
|-------------|--------------------------------|---------------|--------------------------------------|
| V | volts | A | ampères |
| Hz | hertz | W..... | watts |
| min | minutes | ~ | courant alternatif |
| — — — | courant continue | non | régime à vide |
| ☐ | Construction classe II | ⊕ | borne de terre |
| ⚠ | symbole d'alerte à la sécurité | .../min | révolutions ou alternance par minute |

Directives de sécurité importantes pour les chargeurs de piles

CONSERVER CES DIRECTIVES : ce mode d'emploi comprend d'importantes directives de sécurité pour les chargeurs de piles.

- Avant d'utiliser le chargeur, lire toutes les directives et tous les avertissements figurant sur le chargeur, le bloc-piles et le produit utilisé avec le bloc-piles.

⚠ AVERTISSEMENT : risque de choc électrique. Éviter la pénétration de tout liquide dans le chargeur.

⚠ MISE EN GARDE : risque de brûlure. Pour réduire le risque de blessures, charger seulement des bloc-piles Black & Decker. D'autres types de piles peuvent exploser et provoquer des blessures corporelles et des dommages.

⚠ MISE EN GARDE : dans certaines circonstances, lorsque le chargeur est branché au bloc d'alimentation, les contacts de chargement du chargeur peuvent être court-circuités par des corps étrangers conducteurs tels que, mais sans s'y limiter, la laine d'acier, le papier d'aluminium, ou toute accumulation de particules métalliques. Ils doivent être maintenus à distance des ouvertures du chargeur. Débrancher systématiquement celui-ci si aucun bloc-piles n'y est inséré. Débrancher le chargeur avant tout nettoyage.

- Le chargeur fourni avec ce produit est correctement branché s'il est orienté en position verticale ou au plancher.

AVERTISSEMENT :

- **NE PAS charger le bloc-piles au moyen de tout autre chargeur que ceux qui sont mentionnés dans le présent mode d'emploi.** Le chargeur et le bloc-piles sont spécialement conçus pour être utilisés ensemble.
- **Ces chargeurs n'ont pas été conçus pour être utilisés à d'autres fins que celles de charger les piles rechargeables Black & Decker.** Toute autre utilisation risque de provoquer un incendie, un choc électrique ou une électrocution.
- **Protéger le chargeur de la pluie et de la neige.**
- **Tirer sur la fiche plutôt que sur le cordon pour débrancher le chargeur.** Cela permet de réduire le risque d'endommager la fiche ou le cordon d'alimentation.
- **S'assurer que le cordon est situé en lieu sûr de manière à ce que personne ne marche ni ne trébuche dessus ou à ce qu'il ne soit pas endommagé ni soumis à une tension.**
- **Ne pas utiliser de rallonge à moins que cela ne soit absolument nécessaire.** L'utilisation d'une rallonge inadéquate risque d'entraîner un incendie, un choc électrique ou une électrocution.
- **Pour la sécurité de l'utilisateur, utiliser une rallonge de calibre adéquat (AWG, American Wire Gauge [calibrage américain normalisé des fils]).** Plus le numéro de calibre de fil est petit et plus sa capacité est grande, par exemple un calibre 16 a plus de capacité qu'un calibre 18. Si plus d'une rallonge est utilisée pour obtenir la longueur totale, s'assurer que chaque rallonge présente au moins le calibre de fil minimum.
- **Ne pas mettre d'objet sur le chargeur ni mettre ce dernier sur une surface molle pouvant obstruer les fentes de ventilation et ainsi provoquer une chaleur interne excessive.** Éloigner le chargeur de toute source de chaleur. La ventilation du chargeur se fait par les fentes pratiquées dans les parties supérieures et latérales du boîtier.

- **Ne pas monter le chargeur sur un mur ni le fixer de manière permanente sur une surface quelconque.** Le chargeur est destiné à une utilisation sur une surface plane et stable (c.-à-d. un dessus de table).
- **Ne pas faire fonctionner le chargeur si la fiche ou le cordon est endommagé;** les remplacer immédiatement.
- **Ne jamais se servir d'un chargeur qui a subi un choc violent, qui est tombé ou qui est endommagé.** Le faire vérifier dans un centre de réparation autorisé.
- **Ne pas démonter le chargeur; l'apporter à un centre de réparation autorisé lorsqu'un entretien ou une réparation est requise.** Le remontage non conforme du chargeur comporte des risques de choc électrique, d'électrocution ou d'incendie.
- **Débrancher le chargeur avant de le nettoyer. Cela réduira le risque de choc électrique.** Le risque ne sera pas éliminé en enlevant simplement le bloc-piles.
- **NE JAMAIS tenter de relier deux chargeurs ensemble.**
- **Le chargeur est conçu pour être alimenté en courant domestique standard (120 V). Ne pas utiliser une tension supérieure pour le chargeur.**

Directives de sécurité importantes pour les blocs-piles

 **AVERTISSEMENT :** pour un fonctionnement sûr, lire le présent mode d'emploi et les manuels fournis avec l'outil avant d'utiliser le chargeur.

Pour la commande d'un bloc-piles de rechange, s'assurer d'inclure le numéro de catalogue et la tension.

Le bloc-piles n'est pas complètement chargé à la sortie de l'emballage. Avant d'utiliser le bloc-piles et le chargeur, lire les directives de sécurité ci-après. Respecter ensuite les consignes de chargement décrites.

LIRE TOUTES LES DIRECTIVES.

- **Ne pas incinérer le bloc-piles, même s'il est très endommagé ou complètement usé**, car il pourrait exploser au contact de flammes.
- **Ne pas charger ou utiliser un bloc-piles dans un milieu déflagrant, en présence de liquides, de gaz ou de poussière inflammables.** Insérer ou retirer un bloc-piles du chargeur peut enflammer de la poussière ou des émanations.
- **Si le contenu du bloc-piles entre en contact avec la peau, laver immédiatement la zone touchée au savon doux et à l'eau.** Si le liquide de la pile entre en contact avec les yeux, rincer l'oeil ouvert à l'eau pendant 15 minutes ou jusqu'à ce que l'irritation cesse. Si des soins médicaux sont nécessaires, l'électrolyte des piles au LI-ION est composé d'un mélange de carbonates organiques liquides et de sels de lithium. Quant aux piles au NI-CD, il est question d'une solution de 25 % à 35 % d'hydroxyde de potassium.
- **Le contenu des cellules de pile ouvertes peut provoquer une irritation respiratoire. Exposer la personne à de l'air frais. Si les symptômes persistent, obtenir des soins médicaux.**

⚠ AVERTISSEMENT : risque de brûlure. Le liquide du bloc-piles peut s'enflammer s'il est exposé à des étincelles ou à une flamme.

- Charger uniquement les blocs-piles au moyen de chargeurs Black & Decker.
- **NE PAS** éclabousser le bloc-piles ou l'immerger dans l'eau ou tout autre liquide.
- **Ne pas ranger ni utiliser l'outil et le bloc-piles à un endroit où la température peut atteindre ou dépasser les 40 °C (105 °F) (comme dans les remises extérieures ou les bâtiments métalliques l'été).**

⚠ AVERTISSEMENT : ne jamais ouvrir le bloc-piles pour quelque raison que ce soit. Si le boîtier du bloc-piles est fissuré ou endommagé, ne pas l'insérer dans un chargeur. Ne pas écraser, faire tomber ou endommager le bloc-piles. Ne pas utiliser un

bloc-piles ou un chargeur qui a reçu un choc violent, qui est tombé, a été écrasé ou est endommagé de quelque manière que ce soit (p. ex. percé par un clou, frappé d'un coup de marteau, piétiné). Les blocs-piles endommagés doivent être envoyés au centre de réparation pour être recyclés.

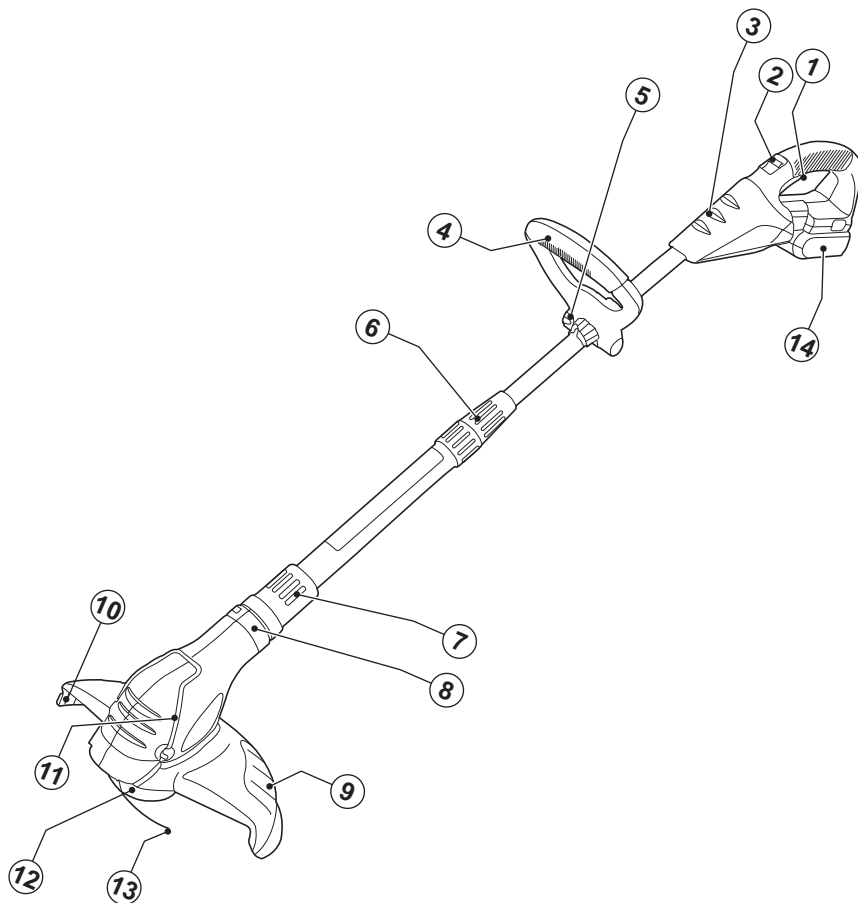
⚠ MISE EN GARDE : lorsque l'outil n'est pas utilisé, le placer sur le côté, sur une surface stable, de manière à ne faire trébucher ni tomber personne. Certains outils à gros bloc-piles se tiennent debout, mais peuvent facilement basculer.

Recommandations d'entreposage

1. Ranger l'appareil :
 - a.) sans le bloc-piles;
 - b.) dans un endroit frais et sec à l'écart des rayons directs du soleil et de la chaleur ou du froid excessif(ve);
 - c.) hors de la portée des enfants.
2. Pour un entreposage prolongé (comme au cours de la période hivernale), charger complètement le bloc-piles puis le retirer du chargeur. Le charger de nouveau au printemps, avant toute utilisation.

Caractéristiques

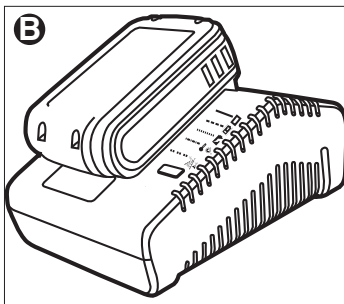
1. Interrupteur marche/arrêt
2. Bouton de verrouillage
3. Poignée principale
4. Poignée secondaire
5. Bouton de poignée
6. Collier de réglage de la poignée
7. Collier de réglage de mode
8. Boîtier du moteur
9. Pare-main
10. Lame de coupe pour le fil
11. Guide de coupe
12. Boîtier de la bobine
13. Fil de coupe
14. Batterie





PROCEDURE DE CHARGE

Ce chargeur se charger complètement la batterie 18 V Lithium en 45 à 60 minutes, selon le niveau de charge dans le pack.

1. Brancher le chargeur dans une prise appropriée avant d'insérer le bloc-piles.
2. Insérer le bloc-piles dans le chargeur. (Fig. B)




 3. Le voyant DEL clignotera indiquant que la pile est en cours de recharge.

 4. La fin de la recharge est indiquée par le voyant qui demeurera allumé. Le bloc-piles est chargé à plein et peut être utilisé ou laissé sur le chargeur.


FONCTIONS DE DIAGNOSTIC DU CHARGEUR

Le chargeur est conçu pour détecter certains problèmes du bloc-piles ou de la source d'alimentation. Le type de clignotement du voyant de charge indique les problèmes.


PILE EN MAUVAIS ETAT

 Le chargeur est en mesure de détecter une pile faible ou endommagée. Le voyant DEL clignote selon la séquence code inscrite sur l'étiquette. Si la séquence code correspondant à une pile en mauvais état est en clignotement, cesser de recharger la pile. Il faut la retourner à un centre de réparation ou à un site de collecte pour le recyclage.

FONCTION DE SUSPENSION DU BLOC-PILES CHAUD/FROID

 Lorsque le chargeur détecte un bloc-piles trop chaud ou trop froid, il suspend automatiquement la recharge jusqu'au retour à la normale de la température de celui-ci. Une fois la température du bloc-piles revenue à la normale, le chargeur passe automatiquement au mode de recharge du bloc-piles. Cette fonction assure une durée de vie maximale des blocs-piles. Le voyant DEL clignote selon la séquence code inscrite sur l'étiquette.

PROBLEME AVEC LE SECTEUR

 Lorsque le chargeur est utilisé avec des blocs d'alimentation portatifs comme des génératrices ou des alternateurs, le chargeur peut suspendre temporairement son fonctionnement. Le voyant DEL clignote selon la séquence code inscrite sur l'étiquette. Cela indique que l'alimentation est hors tolérance.

BLOC-PILES LAISSE DANS LE CHARGEUR

Le chargeur et le bloc-piles peuvent être laissés branchés, le voyant demeurant indéfiniment allumé. Le chargeur maintiendra le bloc-piles en bon état et complètement chargé. Le chargeur comporte un mode automatique de mise au point qui égalise ou équilibre chaque cellule du bloc-piles pour lui permettre de fonctionner à plein rendement.

REMARQUES IMPORTANTES POUR LE CHARGEMENT

1. Pour augmenter la durée de vie du bloc-piles et optimiser son rendement, le charger à une température entre 18 et 24 °C (65 et 75 °F). NE PAS charger le bloc-piles à des températures inférieures à 4.5 °C (40 °F) ou supérieures à 40.5 °C (105 °F). Ces consignes sont importantes et permettent d'éviter d'endommager gravement le bloc-piles.
2. Le chargeur et le bloc-piles peuvent devenir chauds au toucher pendant la charge. Il s'agit d'un état normal et cela n'indique pas un problème. Pour faciliter le refroidissement du bloc-piles après son utilisation, éviter de mettre le chargeur ou le bloc piles dans un endroit chaud comme dans une remise métallique ou une remorque non isolée.

3. Si le bloc-piles ne se charge pas adéquatement, on doit :
- vérifier le courant à la prise en branchant une lampe ou un autre appareil électrique;
 - vérifier si la prise est reliée à un interrupteur mural qui la met hors tension lorsque la lumière sont éteinte;
 - déplacer le chargeur et le bloc-piles dans un endroit où la température ambiante est entre 18 et 24 °C (65 et 75 °F);
 - si le problème persiste, apporter ou envoyer l'outil, le bloc-piles et le chargeur au centre de réparation de votre région.
4. Le bloc-piles doit être rechargé lorsqu'il n'arrive pas à produire suffisamment de puissance pour des travaux qui étaient facilement réalisés auparavant. **NE PAS CONTINUER** à utiliser le bloc-piles dans ces conditions. Suivre les procédures de charge. On peut également recharger à tout moment un bloc-piles partiellement déchargé sans nuire à son fonctionnement.
5. Tout corps étranger conducteur, tel que notamment la laine d'acier, le papier d'aluminium, ou toute accumulation de particules métalliques, doit être maintenu à distance des ouvertures du chargeur. Débrancher systématiquement celui-ci si aucun bloc-piles n'y est inséré. Débrancher le chargeur avant tout nettoyage.
6. Ne pas congeler le chargeur, l'immerger ans l'eau ou dans tout autre liquide.

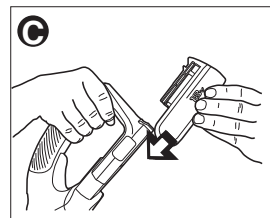
⚠ AVERTISSEMENT : **risque de choc électrique.** *ne jamais ouvrir le bloc-piles pour quelque raison que ce soit. Si le boîtier en plastique du bloc-piles est brisé ou fissuré, le retourner à un centre de réparation pour qu'il soit recyclé.*

ASSEMBLAGE

⚠ AVERTISSEMENT : Avant de procéder à l'assemblage, retirer la pile de l'outil.

INSTALLATION ET RETRAIT DU BLOC-PILES (FIGURE C)

- Pour insérer le bloc-piles, l'aligner avec le logement dans l'outil. Faire glisser le bloc-piles dans le logement et le pousser de manière à ce qu'il s'enclenche en place.
- Pour retirer le bloc-piles, enfoncer le bouton de dégagement tout en retirant le bloc-piles du logement.



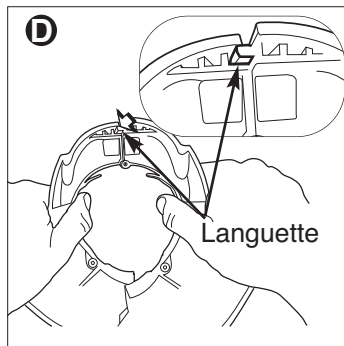
ASSEMBLAGE ET FIXATION DU DISPOSITIF DE PROTECTION A DEUX PIECES

- Tournevis à pointe cruciforme requis (non fourni) pour installer un pare-main.

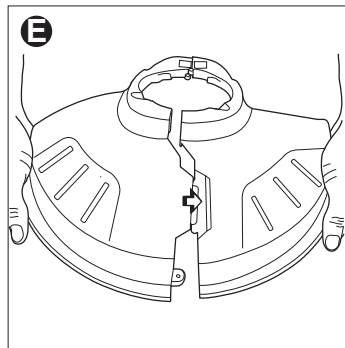
⚠ AVERTISSEMENT : retirer le bloc-piles de l'outil avant d'essayer de fixer le dispositif de protection ou d'effectuer tout réglage. **NE JAMAIS UTILISER L'OUTIL SANS LE DISPOSITIF DE PROTECTION SOLIDEMENT ATTACHÉ.** Le dispositif de protection doit toujours être en place sur l'outil pour protéger l'opérateur.

ASSEMBLAGE :

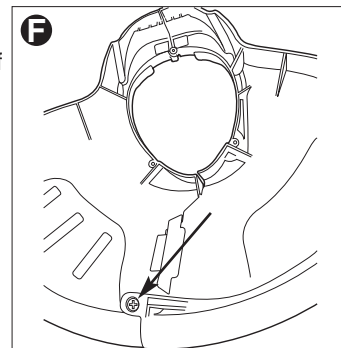
- Retirer les deux pièces qui composent le dispositif de l'emballage.
- En tenant les deux pièces comme l'illustre la **figure D**, insérer l'onglet de la première section dans l'encoche de la deuxième section. Voir l'encart.



- Insérer l'onglet latéral de la première section dans l'encoche de la deuxième section. Un « déclic » se fait entendre lorsque les deux pièces sont bien engagées (**figure E**).

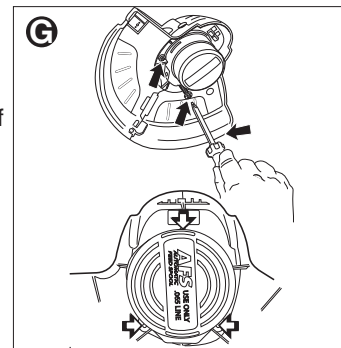


- Insérer la vis de 19 mm (3/4 po) comme l'indique la **figure F** pour terminer l'assemblage du dispositif de protection.



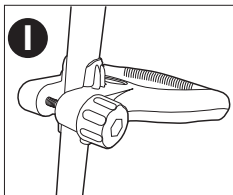
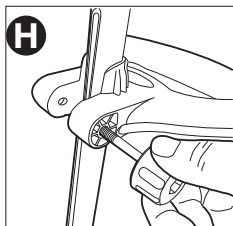
FIXATION :

- Placer le dispositif de protection assemblé sur la bobine comme l'illustre la **figure G** et insérer les trois vis restantes dans le dispositif de protection comme l'indiquent les flèches.
- Une fois le dispositif de protection en place, retirer l'enveloppe de la lame, pour la coupe du fil, située sur le bord de la deuxième section du dispositif de protection.



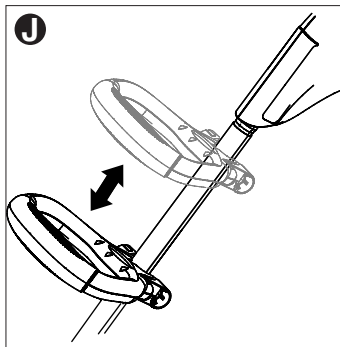
ACCESSOIRE DE POIGNEE AUXILIAIRE

Pousser la poignée auxiliaire sur le tube supérieur. Positionner la poignée de manière à ce que la rainure, pratiquée dans le tube, soit située au centre de l'ouverture de la poignée. Insérer le boulon de la poignée dans l'orifice pratiqué dans la poignée comme le montre la **figure H et I**.



REGLAGE DE LA POIGNEE AUXILIAIRE

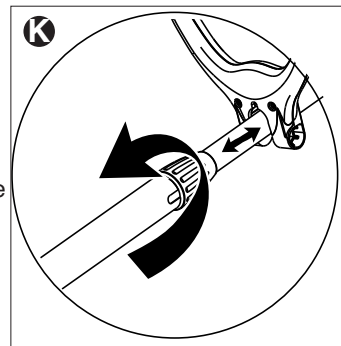
Pour un maximum de confort et de maîtrise, régler la poignée auxiliaire à votre hauteur de travail (**Fig. J**). Les utilisateurs plus petits peuvent abaisser la poignée (l'éloigner de l'utilisateur) et ceux plus grands peuvent élever la position de la poignée (la rapprocher de l'utilisateur). Ajuster la poignée de sorte que le bras avant soit complètement droit lorsque le taille-bordure est en position de fonctionnement illustrée dans la **figure M**.



RÉGLAGE DE LA HAUTEUR

La hauteur totale du taille-bordure peut être ajustée en desserrant le collier d'arrêt et en le tournant dans le sens contraire à la flèche illustrée dans la **figure K**.

Les tubes peuvent alors être raccourcis ou allongés. Lorsque la hauteur désirée est atteinte, serrer le collier en le tournant dans le sens illustré à la **figure K**.



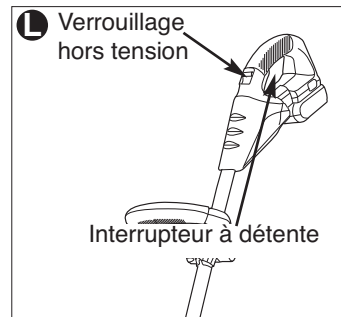
FONCTIONNEMENT

⚠ MISE EN GARDE :
TOUJOURS PORTER DES LUNETTES DE SÉCURITÉ.

⚠ MISE EN GARDE : inspecter la zone à tailler et retirer tout fil, cordon ou objets similaires qui pourraient s'enchevêtrer dans le fil rotatif ou avec la bobine. Être spécialement attentif et éviter, sur les parcours de l'outil, tout fil courbé vers l'extérieur comme les fils métalliques au pied d'une clôture à mailles losangées.

UTILISATION DU COUPE-BORDURE

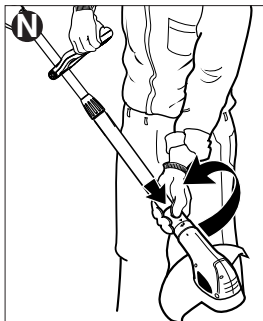
- Pour actionner le coupe-bordure, tirer le bouton de verrouillage (**fig. L**) vers l'arrière, puis enfoncer l'interrupteur à détente. Pour arrêter l'outil, relâcher l'interrupteur à détente.



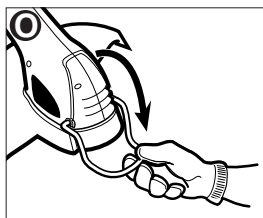
- Imprimer à l'outil un lent mouvement latéral de va-et-vient (**fig. M**).



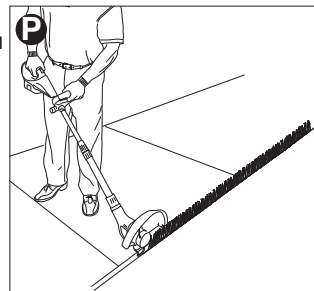
- Pour convertir l'outil pour couper le rebord des pelouses, le mettre hors tension, saisir l'outil d'une main par sa poignée auxiliaire (**fig. N**), de l'autre main, saisir le collet et pousser dans le sens de la flèche, puis faire pivoter la tête du coupe-bordure (dans le sens horaire lorsqu'on regarde l'interrupteur de l'outil) jusqu'à ce qu'elle s'arrête (demi-tour). L'outil est alors verrouillé pour couper des tranchées.



Faire tourner le guide de rebord vers l'avant et le bas avant de couper des tranchées (**fig. O**).



- Pour tailler le rebord de la pelouse, placer le coupe-bordure au-dessus du rebord comme le montre la **figure P**.
- Pour revenir à la position initiale, mettre l'outil hors tension, pousser dans le sens de la flèche et faire tourner la tête dans le sens antihoraire jusqu'à ce qu'elle s'arrête. Dans cette position, on peut relever le guide de rebord afin qu'il ne dérange pas.



ALIMENTATION DU FIL

Le taille-bordure utilise un fil de nylon de 1,65 mm (0,065 po) de diamètre qui coupe le gazon et les herbes hautes rapidement et facilement. En cours d'utilisation, l'extrémité du fil de nylon s'usera et le mécanisme d'alimentation automatique fournira et coupera une nouvelle longueur de fil.

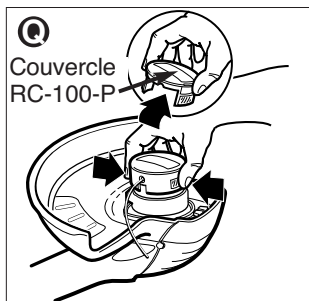
Le fil tranchant s'usera plus rapidement si le taillage s'effectue le long de trottoirs ou autres surfaces abrasives ou si des broussailles plus épaisses sont coupées. Le mécanisme d'alimentation automatique du fil perçoit la demande accrue de fil et fournit et coupe la bonne longueur de fil dès que c'est nécessaire. L'utilisateur n'a même pas à y penser. Ne pas frapper l'appareil contre le sol pour faire sortir le fil ou pour toute autre raison.

REPLACEMENT DE LA BOBINE/DESOBSTRUCTION ET DESENCHEVETREMENT DES FILS

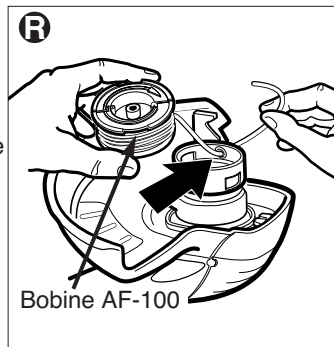
De temps en temps, particulièrement lors de la coupe de broussailles épaisses ou vertes, le moyeu d'alimentation de fil s'encrasse avec la sève ou une autre matière, et le fil se bloque. Pour désobstruer l'ensemble, suivre les étapes suivantes.

- Éteindre le taille-bordure et retirer le bloc-piles.

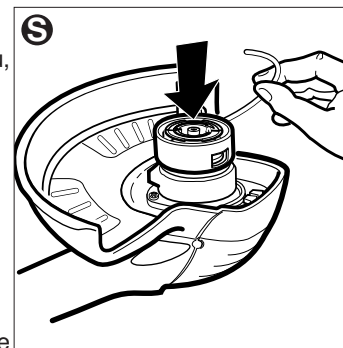
- Appuyer sur les languettes de dégagement logées sur le couvercle de la bobine de fil comme le montre la **figure Q**, puis retirer le couvercle en le tirant en ligne droite.
- Retirer la bobine de fil de nylon du moyeu. Retirer tout morceau de fil brisé ou résidu de coupe de la zone de la bobine.



- Si l'outil se bloque et que le fil est enchevêtré, dérouler environ 30 cm (1 pi) de fil pour s'assurer qu'il est en bon état. Si c'est bon, rebobiner le fil, puis insérer l'extrémité du fil dans l'anneau logé dans le moyeu de la bobine, comme le montre la **figure R**.



Tirer le fil par l'orifice pour maintenir la tension au moment d'insérer la bobine dans le moyeu, le côté cranté étant visible, comme le montre la **figure S**.



- Appuyer sur la bobine, **DOUCEMENT** vers le bas, et la tourner jusqu'à ce qu'elle se mette en place. (Dans cette position, la bobine tournera librement de quelques degrés vers la droite et la gauche.)
- Remettre le couvercle de la bobine, insérer le bloc-piles, puis mettre en marche l'outil. Dans les quelques secondes suivantes, la coupe automatique du fil de nylon à la bonne longueur se fera entendre.
- Pour obtenir une alimentation du fil sans tracas et des résultats optimaux, utiliser uniquement les bobines de rechange Black & Decker pourvues d'un fil unique de 1,65 mm (0,065 po). Le numéro de modèle de la bobine de rechange Black & Decker est AF-100.

REBOBINAGE DU FIL EN VRAC (UTILISER SEULEMENT DU FIL DE 1,65 mm (0,065 po) DE DIAMÈTRE)

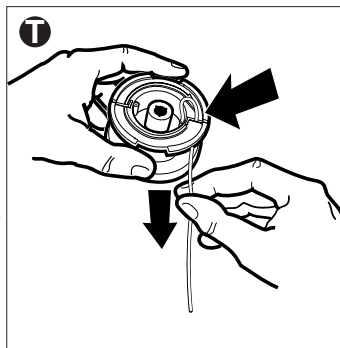
Le fil en vrac est également offert par les détaillants locaux.

REMARQUE : Le fil en vrac des bobines enroulées à la main est susceptible de s'enchevêtrer plus souvent que le fil des bobines enroulées dans une usine Black & Decker.

Suivre les étapes ci-dessous pour installer du fil en vrac.

- Éteindre le taille-bordure et retirer le bloc-piles.
- Appuyer sur les languettes de dégagement logées sur le couvercle de la bobine de fil comme le montre la **figure Q**, puis retirer le couvercle en le tirant en ligne droite.

- Retirer la bobine, puis retirer et jeter tout fil de la bobine.
- Insérer une extrémité de fil en vrac dans l'orifice de la bobine, comme le montre la **figure T**, d'environ 12 mm (1/2 po).
- Maintenir le fil dans l'orifice et tirer le reste du fil par la fente de la bobine, tel que l'illustre la **figure T**.
- Enrouler fermement et de façon régulière le fil en vrac sur la bobine, dans le sens de la flèche inscrite sur la bobine, comme le montre la **figure T**, jusqu'à ce que la bobine soit presque pleine.



- Insérer l'extrémité du fil dans l'anneau logé dans le moyeu de la bobine, comme le montre la **figure R**. Tirer le fil par l'orifice pour maintenir la tension au moment d'insérer la bobine dans le moyeu, le côté cranté étant visible, comme le montre la **figure S**.
- Appuyer sur la bobine, **DOUCEMENT** vers le bas, et la tourner jusqu'à ce qu'elle se mette en place. (Dans cette position, la bobine tournera librement de quelques degrés vers la droite et la gauche.)
- Remettre le couvercle de la bobine, insérer le bloc-piles, puis mettre en marche l'outil. Dans les quelques secondes suivantes, la coupe automatique du fil de nylon à la bonne longueur se fera entendre.

ENTRETIEN

- N'utiliser qu'un détergent doux et un chiffon humide pour nettoyer l'outil. Ne jamais laisser de liquide pénétrer dans l'outil et n'immerger aucune partie de l'outil dans un liquide.

- **⚠ AVERTISSEMENT :** retirer ou débrancher le bloc-piles avant toute réparation, tout nettoyage ou retrait de matière de l'appareil électrique de jardin.

ACCESSOIRES

- On peut se procurer les accessoires recommandés pour l'outil chez les détaillants ou au centre de service de la région. Pour trouver un accessoire, composer le numéro suivant : **1 800 544-6986**.
- Utiliser une bobine de rechange Black & Decker, modèle n° AF-100.
- Capuchon de bobine au n° de pièce de rechange RC-100-P.
- Rembobiner le fil de nylon (en vrac ou dans une bobine chargée de rechange) de la façon indiquée dans le présent guide.
- **UTILISER SEULEMENT DU FIL MONOFILAMENT DE NYLON DE 1,65 mm (0,065 po) DE DIAMÈTRE.** Du fil plus épais surchargera le moteur et provoquera la surchauffe de l'outil. On peut se procurer le fil chez les détaillants et au centre de service de la région.
- Ne pas utiliser du fil de canne à pêche ni tout autre fil non recommandé.

- **⚠ AVERTISSEMENT :** l'utilisation de tout accessoire non recommandé avec cet outil pourrait s'avérer dangereuse.

IMPORTANT : pour assurer la **SÉCURITÉ** et la **FIABILITÉ** de cet outil, toutes les opérations de réparation, d'entretien et de réglage doivent être effectuées par un centre de service autorisé ou qualifié; seules des pièces de rechange identiques doivent être utilisées.

Information sur les réparations

Que ce soit pour un avis technique, une réparation ou des pièces de rechange authentiques installées en usine, communiquer avec l'établissement Black & Decker le plus près de chez vous. Pour trouver l'établissement de réparation de votre région, consulter le répertoire des Pages jaunes à la rubrique « Outils électriques » ou composer le numéro suivant : **1-800-544-6986** ou consulter le site **www.blackanddecker.com**

LE SCEAU RBRC^{MC}

Le sceau SRPRC^{MC} (Société de Recyclage des Piles Rechargeables au Canada) sur la pile lithium-ion (ou sur le bloc-piles) indique que son coût de recyclage (ou celui du bloc-piles) à la fin de sa vie utile sera payé par Black & Decker. Dans certaines régions, il est illégal de jeter les piles lithium-ion dans les poubelles ou dans le système municipal d'évacuation des résidus solides. Le programme RBRC représente donc une alternative sensibilisée à l'environnement.

La SRPRC en collaboration avec Black & Decker et d'autres utilisateurs de piles ont établi aux États-Unis et au Canada des programmes facilitant la cueillette des piles lithium-ion épuisées. Aidez-nous à protéger l'environnement et à conserver nos ressources naturelles en retournant l'outil à un centre de réparation Black & Decker pour qu'elles soient recyclées. Vous pouvez aussi communiquer avec votre centre local de recyclage qui vous fera part du lieu de disposition de vos batteries épuisées ou composer le numéro **1-800-8-BATTERY**.



GARANTIE COMPLETE DE DEUX ANS POUR UNE UTILISATION DOMESTIQUE

Black & Decker (É.-U.) Inc. garantit ce produit pour une durée de deux ans contre tout défaut de matériau ou de fabrication. Le produit défectueux sera remplacé ou réparé sans frais de l'une des deux façons suivantes :

La première façon consiste en un simple échange chez le détaillant qui l'a vendu (pourvu qu'il s'agisse d'un détaillant participant). Tout retour doit se faire durant la période correspondant à la politique d'échange du détaillant (habituellement, de 30 à 90 jours après l'achat). Une preuve d'achat peut être requise. Vérifier auprès du détaillant pour connaître sa politique concernant les retours hors de la période définie pour les échanges.

La deuxième option est d'apporter ou d'envoyer le produit (transport payé d'avance) à un centre de réparation autorisé ou à un centre de réparation de Black & Decker pour faire réparer ou échanger le produit, à notre discrétion. Une preuve d'achat peut être requise. Les

centres Black & Decker et les centres de service autorisés sont répertoriés dans les pages jaunes, sous la rubrique « Outils électriques ».

Cette garantie ne s'applique pas aux accessoires. Cette garantie vous accorde des droits légaux spécifiques et vous pourriez avoir d'autres droits qui varient d'un État ou d'une province à l'autre. Pour toute question, communiquer avec le directeur du centre de réparation Black & Decker le plus près de chez vous. Ce produit n'est pas destiné à un usage commercial.

REPLACEMENT GRATUIT DES ETIQUETTES

D'AVERTISSEMENT : si les étiquettes d'avertissement deviennent illisibles ou sont manquantes, composer le **1-800-544-6986** pour en obtenir le remplacement gratuit.

Imported by / Importé par
Black & Decker Canada Inc.
100 Central Ave.
Brockville (Ontario) K6V 5W6

Voir la rubrique "Outils
électriques"
des Pages Jaunes
pour le service et les ventes.



DEPANNAGE

| <u>Problème</u> | <u>Cause possible</u> | <u>Solution possible</u> |
|--|--|--|
| <ul style="list-style-type: none"> • Le fil ne s'alimente pas. | <ul style="list-style-type: none"> • Le fil est enchevêtré dans la bobine. | <ul style="list-style-type: none"> • Dérouler 61 cm (24 po) de fil puis enrrouler de nouveau. |
| <ul style="list-style-type: none"> • Le fil ne se coupe pas. | <ul style="list-style-type: none"> • Le coupe-fil du dispositif de protection est endommagé ou manquant. • Le fil s'allonge au-delà du dispositif de protection. | <ul style="list-style-type: none"> • Retourner au centre de réparation pour réparation. • Enrouler ou tailler le fil à la hauteur du coupe-fil. |
| <ul style="list-style-type: none"> • L'appareil refuse de démarrer. | <ul style="list-style-type: none"> • Bloc-piles mal installé. • Pile non chargée. | <ul style="list-style-type: none"> • Vérifier l'installation du bloc-piles. • Vérifier les exigences de recharge du bloc-piles. |
| <ul style="list-style-type: none"> • Le bloc-pile refuse de se charger. | <ul style="list-style-type: none"> • Bloc-piles non inséré dans le chargeur. • Chargeur non branché. • Température ambiante trop chaude ou trop froide. | <ul style="list-style-type: none"> • Insérer le bloc-pile dans le chargeur de sorte que le voyant ambre (DEL) s'allume. • Brancher le chargeur dans une prise sous tension. Se reporter à « Remarques importantes de recharge » pour plus de renseignements. • Vérifier le courant à la prise en y branchant une lampe ou un autre appareil électrique. • Vérifier si la prise est reliée à un interrupteur de lumière qui la met hors tension lorsque vous éteignez les lumières. • Déplacer le chargeur et l'outil à une température ambiante supérieure à 4,5°C (40°F) ou inférieure à 40,5°C (105°F). |

Pour obtenir de l'aide, consulter notre site Web www.blackanddecker.com pour connaître l'emplacement du centre de réparation le plus près ou communiquez avec l'assistance BLACK & DECKER au **1-800-544-6986**.



LST1018 MANUAL DE INSTRUCCIONES DE PODADORA/BORDEADORA

Gracias por elegir Black & Decker!
Visite www.BlackandDecker.com/NewOwner
para registrar su nuevo producto.

LEA EL MANUAL ANTES DE DEVOLVER ESTE PRODUCTO POR CUALQUIER MOTIVO:

Si tiene una consulta o algún inconveniente con su producto
Black & Decker, visite

[HTTP://WWW.BLACKANDDECKER.COM/INSTANTANSWERS](http://www.blackanddecker.com/instantanswers)
para obtener respuestas instantáneas las 24 horas del día.

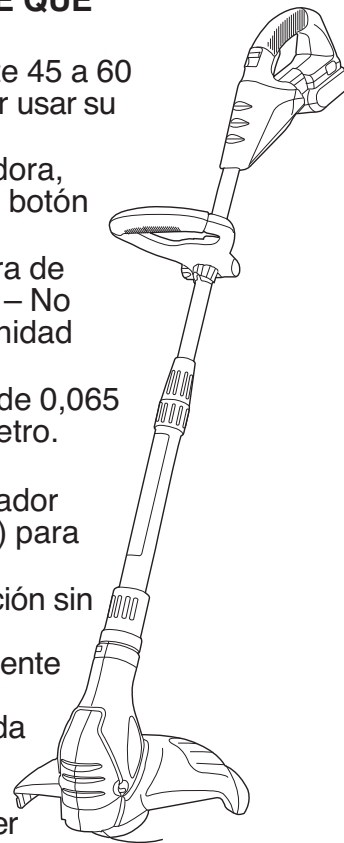
Si no encuentra la respuesta o no tiene acceso a Internet, llame al
1-800-544-6986 de lunes a viernes de 8 a.m. a 5 p.m. hora del Este para
hablar con un agente.

Cuando llame, tenga a mano el número de catálogo.

CONSERVE ESTE MANUAL PARA FUTURAS CONSULTAS

INFORMACIÓN CLAVE QUE DEBE SABER:

- Cargue la batería durante 45 a 60 minutos antes de intentar usar su desbrozadora/orilladora.
- Para operar la desbrozadora, debe tirar hacia atrás del botón del seguro.
- Esta es una desbrozadora de alimentación automática – No golpee la cabeza de la unidad contra el suelo.
- Utilice únicamente línea de 0,065 pulg. (1,65 mm) de diámetro.
- Instale la guarda.
- Se requiere un destornillador Phillips (no suministrado) para instalar el protector.
- Para lograr una alimentación sin problemas y los mejores resultados, utilice únicamente carretes de repuesto de Black & Decker con cuerda única de 1,65 mm (0,065 pulgada). Carrete de repuesto de Black & Decker número de modelo AF-100.



ADVERTENCIA: Instrucciones y advertencias de seguridad importantes


PARA REDUCIR EL RIESGO DE LESIONES:


- Lea todas las instrucciones antes de operar el producto. El incumplimiento de las instrucciones enumeradas a continuación puede provocar una descarga eléctrica, un incendio o lesiones graves.
- Guarde estas instrucciones y revíselas con frecuencia antes de usar la herramienta y al enseñarles a los demás.
- Mantenga el cabello largo y la ropa holgada lejos de las aberturas y las piezas en movimiento.


 **ADVERTENCIA:** Al utilizar herramientas eléctricas para el jardín, siempre se deben tomar ciertas precauciones básicas de seguridad para minimizar el riesgo de incendio, descarga eléctrica y lesiones personales, entre ellas:

PAUTAS DE SEGURIDAD/DEFINICIONES

Es importante que lea y comprenda este manual. La información que contiene se relaciona con la protección de SU SEGURIDAD y la PREVENCIÓN DE PROBLEMAS. Los símbolos que siguen se utilizan para ayudarlo a reconocer esta información.

 **PELIGRO:** indica una situación de peligro inminente que, si no se evita, provocará la muerte o lesiones graves.

 **ADVERTENCIA:** indica una situación de peligro potencial que, si no se evita, provocará la muerte o lesiones graves.

 **PRECAUCIÓN:** indica una situación de peligro potencial que, si no se evita, provocará lesiones leves o moderadas.

PRECAUCIÓN: utilizado sin el símbolo de alerta de seguridad indica una situación de peligro potencial que, si no se evita, puede provocar daños en la propiedad.

ADVERTENCIAS E INSTRUCCIONES GENERALES DE SEGURIDAD PARA TODAS LAS HERRAMIENTAS

- **LEA** todas las instrucciones.
- **UNA UNIDAD ACCIONADA A BATERIA** con baterías integrales o un paquete de baterías separado debe recargarse sólo con el cargador especificado para la batería. Un cargador adecuado para un tipo de batería puede crear un riesgo de incendio si se utiliza con otra batería.
- **UTILICE LA UNIDAD ACCIONADA A BATERIA SOLO** con el paquete de baterías diseñado específicamente. El uso de otro tipo de batería puede producir riesgo de incendio.
- **EVITE** el encendido por accidente. Asegúrese de que el interruptor esté bloqueado o en la posición de apagado antes de insertar el paquete de baterías. Transportar las herramientas con el dedo en el interruptor o insertar el paquete de baterías en una herramienta con el interruptor encendido puede provocar accidentes.
- **NO UTILICE** la unidad si no se enciende o apaga con el interruptor. Toda unidad que no pueda ser controlada mediante el interruptor es peligrosa y debe repararse.
- **DESCONECTE** el paquete de baterías de la unidad o bloquee el interruptor, o colóquelo en la posición de apagado antes de realizar ajustes, cambiar accesorios o almacenar la unidad. Estas medidas de seguridad preventivas reducen el riesgo de encender la unidad en forma accidental.
- **SIEMPRE** use lentes de seguridad. Los anteojos de uso diario NO son lentes de seguridad. Utilice también máscaras faciales o para polvo si se produce polvillo al recortar los bordes. **UTILICE SIEMPRE EQUIPOS DE SEGURIDAD CERTIFICADOS:**
 - *Protección para los ojos ANSI Z87.1 (CAN/CSA Z94.3),*
 - *Protección auditiva ANSI S12.6 (S3.19),*
 - *Protección respiratoria según las normas NIOSH/OSHA.*
- **PROTECTOR:** Nunca utilice esta unidad sin el protector adjunto.

- **UTILICE LA VESTIMENTA ADECUADA:** No utilice ropa holgada ni joyas. Pueden atascarse en las piezas en movimiento. Se recomienda utilizar guantes de goma y calzado con una suela de goma considerable al trabajar al aire libre. **No opere la unidad descalzo o con sandalias abiertas. Utilice pantalones largos para protegerse las piernas.** Recójase y cubra el cabello largo.
- **CUERDA DE NYLON:** Mantenga la cara, las manos y los pies lejos de la cuerda de nylon giratoria en todo momento.
- **LA CUERDA GIRATORIA REALIZA UNA FUNCIÓN DE CORTE:** Tenga precaución al podar alrededor de cercos y plantas que desea conservar.
- **MANTENGA A LOS NIÑOS ALEJADOS:** Todos los visitantes deben mantenerse a una distancia segura del área de trabajo.
- **⚠️ ADVERTENCIA:** Asegúrese de que las demás personas y mascotas estén a no menos de 30,5 m (100 pies) de distancia.
- **⚠️ ADVERTENCIA:** Para reducir el riesgo de lesiones por repercusión (rebote), trabaje lejos de cualquier objeto sólido cercano, como pared, escalones, piedras grandes, árboles, etc. Tenga sumo cuidado al trabajar cerca de objetos sólidos y, cuando sea necesario, recorte los bordes en forma manual.
- **EVITE EL ARRANQUE ACCIDENTAL:** Nunca transporte la unidad con el dedo en el disparador.
- **NO FUERCE LA HERRAMIENTA:** Trabaja mejor y con menos probabilidad de lesiones personales si se opera a la velocidad para la que fue diseñada.
- **UTILICE LA HERRAMIENTA ADECUADA:** No utilice esta unidad para otra tarea que no sea aquella para la que fue diseñada.
- **NO SE ESTIRE:** Conserve el equilibrio adecuado y manténgase parado correctamente en todo momento.
- **DAÑO A LA HERRAMIENTA:** Si golpea la herramienta o ésta se atasca con un objeto extraño, deténgala de inmediato, verifique que no se haya dañado y repare cualquier daño antes de seguir utilizándola. No opere la herramienta si la bobina o el carrete están dañados.
- **EVITE LAS CONDICIONES AMBIENTALES PELIGROSAS:** No utilice unidades eléctricas en lugares húmedos o mojados. No utilice la unidad bajo la lluvia.
- **NO OPERE** la bordeadora en atmósferas gaseosas o explosivas. Los motores de estas unidades normalmente generan chispas y estas últimas pueden encender los vapores.
- **GUARDE LAS HERRAMIENTAS QUE NO SE UTILICEN EN EL INTERIOR:** Cuando no las utilice, las unidades deben guardarse en un lugar seco y bajo llave, fuera del alcance de los niños.
- **ESTÉ ALERTA:** Fíjese en lo que está haciendo. Use el sentido común. No opere la unidad si está cansado.
- **REALICE EL MANTENIMIENTO CON CUIDADO:** Mantenga el borde afilado y limpio, para obtener un mejor rendimiento y reducir el riesgo de lesiones. Siga las instrucciones para lubricar y cambiar los accesorios. Inspeccione el cable del electrodoméstico periódicamente y, en caso de estar dañado, llévelo a una instalación de mantenimiento autorizada para que lo reparen. Inspeccione los cables prolongadores periódicamente y reemplácelos si están dañados. Mantenga los mangos secos, limpios y sin restos de aceite ni grasa.
- **VERIFIQUE LAS PIEZAS DAÑADAS:** Antes de volver a utilizar la unidad, se debe controlar el protector u otra pieza que esté dañada, para determinar si funcionará correctamente y realizará la función para la que fue diseñada. Verifique la alineación y la sujeción de las piezas móviles, la rotura de piezas, el montaje y cualquier otra condición que pueda afectar su operación. Cualquier protección u otra pieza que esté dañada debe ser reparada correctamente o reemplazada por un centro de mantenimiento autorizado, a menos que este manual indique otra cosa.
- **MANTENGA LOS PROTECTORES INSTALADOS Y EN FUNCIONAMIENTO DE FORMA ADECUADA.**

CONSERVE ESTAS INSTRUCCIONES

⚠️ INSTRUCCIONES DE SEGURIDAD ADICIONALES IMPORTANTES

- **EVITE AMBIENTES PELIGROSOS:** No utilice ni cargue las baterías en lugares húmedos o mojados.
- **NO UTILICE NI CARGUE LA BATERÍA** bajo la lluvia.
- **RETIRE LA BATERÍA** antes de realizar tareas de mantenimiento, limpieza o extracción de materiales de la bordeadora. Retire la batería de su bordeadora y transfórtela tomándola del mango delantero cuando no la utilice.
- **TENGA CUIDADO** al manipular las baterías a fin de no producir un cortocircuito entre las baterías y materiales de conducción como anillos, pulseras y llaves. La batería o el conductor pueden sobrecalentarse y ocasionar quemaduras.
- **NO ABRA NI DANE** las baterías. Los electrolitos liberados son corrosivos y pueden ocasionar lesiones en los ojos o en la piel. Puede ser tóxico si se traga.

⚠️ ADVERTENCIA: El polvo creado por este producto contiene sustancias químicas reconocidas por el Estado de California como causantes de cáncer, defectos de nacimiento u otros problemas reproductivos. Algunos ejemplos de estas sustancias químicas son:

- compuestos en fertilizantes
- compuestos en insecticidas, herbicidas y pesticidas
- arsénico y cromo de madera con tratamiento químico

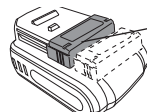
Para reducir su exposición a estos productos químicos, use equipo de seguridad aprobado, como máscaras para polvo que están diseñadas especialmente para filtrar las partículas microscópicas.

CONSERVE ESTAS INSTRUCCIONES

⚠️ ADVERTENCIA: **Riesgo de incendio.** No guarde o transporte la batería de ninguna manera que permita que los terminales expuestos de la batería entren en contacto con objetos metálicos. Por ejemplo, no coloque la batería en

delantales, bolsillos, cajas de herramientas, cajas de juegos de productos, cajones, etc. con clavos, llaves, tornillos sueltos, etc. **Transportar baterías puede provocar incendios si los terminales de la batería entran en contacto accidentalmente con materiales conductores como llaves, monedas, herramientas de mano u objetos similares.** Las Normas para Materiales Peligrosos del Departamento de Transporte de los EE.UU. (HMR) concretamente prohíben transportar baterías comercialmente o en aviones (es decir, empacadas en maletas y equipaje de mano) A MENOS que estén debidamente protegidas de cortocircuitos. Por lo tanto, cuando transporte baterías individuales, asegúrese de que los terminales de la batería estén protegidos y bien aislados de materiales que puedan hacer contacto y causar un cortocircuito.

Información acerca del protector de la batería



Protector de la batería

Se han incluido protectores para el almacenaje y transporte de la batería. Estos deben ser usados cuando la batería no esté conectada a la herramienta ni en el cargador. Recuerde quitar el protector antes de poner la batería en el cargador o conectarla a la herramienta.

CABLE PROLONGADOR

Asegúrese de que el cable prolongador esté en buenas condiciones. Cuando utilice un cable prolongador, asegúrese de que tenga la capacidad suficiente para conducir la corriente que su producto exige. Un cable prolongador de menor capacidad provocará una disminución en el voltaje de la línea, lo que se traduciría en pérdida de potencia y sobrecalentamiento. La siguiente tabla muestra la medida correcta que debe utilizar según la longitud del cable y la capacidad nominal en amperios indicada en la placa. En caso de duda, utilice el calibre inmediatamente superior. Cuanto menor es el número de calibre, más grueso es el cable.

| Calibre mínimo para cables de extensión | | | | |
|---|----------------------------------|--------------------|------------------|--------------|
| Volts | Longitud total del cable en pies | | | |
| 120V | 0-25 | 26-50 | 51-100 | 101-150 |
| | (0-7,6m) | (7,6-15,2m) | (15,2-30,4m) | (30,4-45,7m) |
| 240V | 0-50 | 51-100 | 101-200 | 201-300 |
| | (0-15,2m) | (15,2-30,4m) | (30,4-60,9m) | (60,9-91,4m) |
| Amperaje | | | | |
| Más de | No más de | American Wire Gage | | |
| 0 - 6 | 18 | 16 | 16 | 14 |
| 6 - 10 | 18 | 16 | 14 | 12 |
| 10 - 12 | 16 | 16 | 14 | 12 |
| 12 - 16 | 14 | 12 | No se recomienda | |

Doble aislamiento

Las herramientas de doble aislamiento están fabricadas en su totalidad con dos capas separadas de aislamiento eléctrico o con una capa de doble grosor de aislamiento entre usted y el sistema eléctrico de las herramientas. Las herramientas fabricadas con este sistema de aislamiento no requieren conexión a tierra. Como resultado, su herramienta está equipada con un enchufe de dos clavijas, lo que le permite utilizar cables prolongadores sin preocuparse por mantener una conexión a tierra. **NOTA:** El doble aislamiento no sustituye las precauciones normales de seguridad que se deben tomar al utilizar esta herramienta. El sistema de aislamiento es una medida de protección adicional contra cualquier lesión resultante de una posible falla eléctrica del sistema de aislamiento interno de la herramienta.

PIEZAS DE REPUESTO: Al realizar el mantenimiento de todas las herramientas, UTILICE PIEZAS DE REPUESTO IDÉNTICAS. Repare o reemplace los cables dañados.

La etiqueta de su herramienta puede incluir los siguientes símbolos.

| | | | |
|-------------|--------------------------------|---------------|--|
| V | voltios | A | amperios |
| Hz | hertz | W | vatios |
| min | minutos | ~ | corriente alterna |
| — — — | corriente continua | no | no velocidad sin carga |
| ☐ | Construcción de clase II | ⊕ | terminal a tierra |
| ⚠ | símbolo de alerta de seguridad | .../min | revoluciones o reciprocidad por minuto |

Instrucciones de seguridad importantes para los cargadores de baterías

CONSERVE ESTAS INSTRUCCIONES: Este manual contiene instrucciones de seguridad importantes para los cargadores de baterías.

- Antes de utilizar el cargador, lea todas las instrucciones y las prevenciones en el cargador, en el paquete de baterías y en el producto que utiliza el paquete de baterías.

⚠ ADVERTENCIA: *Riesgo de descarga eléctrica. No permita que ningún líquido entre en el cargador.*

⚠ PRECAUCIÓN: *Riesgo de quemadura. Para reducir el riesgo de lesiones, cargue solamente baterías Black & Decker. Otros tipos de baterías pueden estallar y provocar daños personales y materiales.*

⚠ PRECAUCIÓN: En determinadas circunstancias, con el cargador enchufado en el tomacorriente, algunos materiales extraños pueden provocar un cortocircuito en el cargador. Se deben mantener lejos de las cavidades del cargador los materiales extraños de naturaleza conductora, entre los que se incluyen la lana de acero, el papel de aluminio o cualquier acumulación de partículas metálicas. Éstos son sólo algunos ejemplos y no constituyen una lista taxativa. Siempre desenchufe el cargador del tomacorriente cuando no haya un paquete de baterías en la cavidad. Desenchufe el cargador antes de intentar limpiarlo.

- El cargador suministrado con este producto debe enchufarse de manera que quede correctamente orientado en posición de montaje vertical o en el piso.


ADVERTENCIA:

- **NO intente cargar el paquete de baterías con cargadores distintos de aquéllos mencionados en este manual.** El cargador y el paquete de baterías están específicamente diseñados para funcionar en conjunto.
- **Estos cargadores no están diseñados para otro uso que no sea la carga de baterías recargables Black & Decker.** Otros usos pueden provocar riesgo de incendio, descarga eléctrica o electrocución.
- **No exponga el cargador a la lluvia ni a la nieve.**
- **Tire del enchufe en lugar del cable al desconectar el cargador.** Esto reducirá el riesgo de dañar el enchufe y el cable.
- **Asegúrese de que el cable esté ubicado de modo que no lo pise o se tropiece con él, y que no esté sujeto a daños o tensiones de alguna otra forma.**
- **No utilice un cable prolongador a menos que sea absolutamente necesario.** El uso de un cable prolongador incorrecto puede provocar riesgo de incendio, descarga eléctrica o electrocución.
- **Para garantizar la seguridad, un cable prolongador debe tener un tamaño de cable adecuado (AWG o Calibre de conductor de Estados Unidos).** Cuanto más pequeño sea el número de calibre del conductor, mayor será la capacidad del cable; es decir, un calibre 16 tiene más capacidad que un calibre 18. Cuando se utiliza más de una prolongación para lograr la longitud total, asegúrese de que cada prolongación tenga la medida mínima del conductor.
- **No coloque objetos en la parte superior del cargador ni coloque el cargador en una superficie blanda que pueda bloquear las ranuras de ventilación y provocar un calor interno excesivo.** Coloque el cargador en una posición alejada de cualquier fuente de calor. El cargador se ventila a través de ranuras en la parte superior y en los lados de la cubierta.
- **No monte el cargador en la pared ni lo instale en forma permanente sobre ninguna superficie.** El cargador está diseñado

para ser utilizado sobre una superficie plana y estable (por ej., un banco o una mesa)

- **No opere el cargador con un cable o enchufe dañados:** reemplácelos de inmediato.
- **No opere el cargador si éste ha recibido un golpe fuerte, se cayó o presenta algún daño.** Llévelo a un centro de mantenimiento autorizado.
- **No desarme el cargador; cuando deba realizar un mantenimiento o reparaciones, llévelo a un centro de mantenimiento autorizado.** El armado incorrecto puede implicar un riesgo de descarga eléctrica, electrocución o incendio.
- **Antes de limpiarlo, desconecte el cargador del tomacorriente.** Esto reducirá el riesgo de descarga eléctrica. Quitar el paquete de baterías no reducirá este riesgo.
- **NUNCA** intente conectar 2 cargadores juntos.
- **El cargador está diseñado para operar con corriente eléctrica doméstica estándar (120 voltios).** No intente utilizarlo con otro voltaje.

Instrucciones de seguridad importantes para los paquetes de baterías

 **ADVERTENCIA:** Para un funcionamiento seguro, lea este y todos los manuales de instrucciones incluidos con la herramienta antes de usar el cargador. Al solicitar paquetes de baterías de repuesto, asegúrese de incluir el número de catálogo y el voltaje. El paquete de baterías incluido en la caja no está completamente cargado. Antes de utilizar el paquete de baterías y el cargador, lea las instrucciones de seguridad a continuación. Luego siga los procedimientos de carga descritos.

LEA TODAS LAS INSTRUCCIONES

- **No incinere el paquete de baterías, aun si tiene daños importantes o está completamente desgastado.** El paquete de baterías puede explotar en el fuego.

- **No cargue ni use la batería en atmósferas explosivas, como ambientes en los que hay líquidos, gases o polvo inflamables.** Insertar o retirar la batería del cargador puede encender el polvo o los vapores.
- **Si el contenido de las baterías entra en contacto con la piel, lave el área de inmediato con agua y jabón suave.** Si el líquido de la batería entra en contacto con los ojos, enjuague con agua manteniendo los ojos abiertos durante 15 minutos o hasta que la irritación cese. Si se necesita atención médica, el electrolito de las baterías de LI-ION contiene una mezcla de carbonatos orgánicos líquidos y sales de litio. Las baterías de NICD contienen una solución de hidróxido de potasio al 25%-35%.
- **El contenido de las células de la batería abierta puede generar irritación respiratoria.** Respire aire fresco. Si los síntomas persisten, busque atención médica.

⚠ ADVERTENCIA: Peligro de quemaduras. El líquido de la batería puede encenderse si se expone a chispas o llamas.

- Cargue los paquetes de baterías solamente en cargadores Black & Decker.
- **NO** salpique o sumerja en agua u otros líquidos.
- **No almacene ni utilice la herramienta y el paquete de baterías en lugares en los que la temperatura pueda alcanzar o superar los 40 °C (105 °F), como en toldos al aire libre o construcciones de metal en verano.**

⚠ ADVERTENCIA: Nunca intente abrir el paquete de baterías por ningún motivo. Si la caja del paquete de baterías está agrietada o dañada, no la introduzca en el cargador. No comprima, deje caer ni dañe el paquete de baterías. No utilice un paquete de baterías o un cargador que haya recibido un golpe fuerte, se haya caído, esté agotado o dañado de alguna forma (por ejemplo, perforado con un clavo, golpeado con un martillo, pisado). Los paquetes de baterías dañados deben devolverse al centro de mantenimiento para su reciclado.

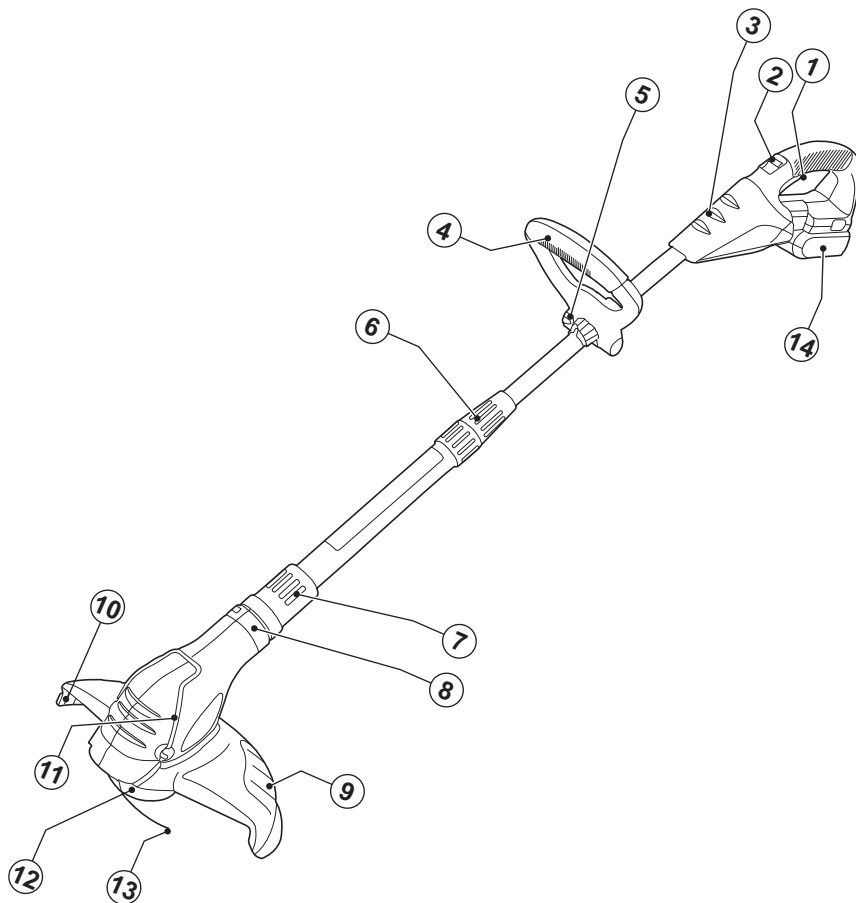
⚠ PRECAUCIÓN: Cuando no se utilice, coloque la herramienta de costado en una superficie estable en la que no provocará tropezones o caídas. Algunas herramientas con paquetes de baterías grandes permanecerán en forma vertical, pero pueden ser fácilmente derribadas.

Recomendación para el almacenamiento

1. Unidad de almacenamiento:
 - a.) sin la batería;
 - b.) en un lugar fresco y seco, lejos de la luz del sol directa y el exceso de calor o frío;
 - c.) fuera del alcance de los niños.
2. En caso de almacenamiento prolongado, como durante el invierno, la batería debe cargarse completamente y luego retirarse del cargador. Debe cargarse nuevamente antes de usarla en la primavera.

Características

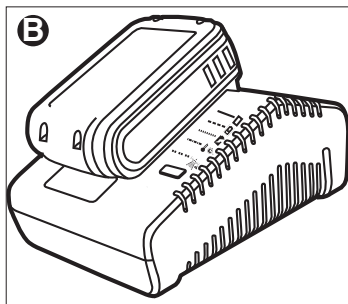
1. Interruptor de encendido/apagado
2. Botón de bloqueo
3. Mango principal
4. Mango secundario
5. Perilla del mango
6. Anillo de ajuste del mango
7. Anillo de ajuste de modo
8. Cubierta del motor
9. Protector
10. Hoja de corte de la cuerda
11. Guía de borde
12. Cubierta del carrete
13. Cuerda de corte
14. Batería





PROCEDIMIENTO DE CARGA

Este cargador plenamente cargar la batería de litio de 18V en 45 a 60 minutos, dependiendo del nivel de carga en el paquete.

1. Enchufe el cargador en un tomacorriente adecuado antes de insertar el paquete de baterías.
2. Introduzca el paquete de baterías en el cargador. (Fig. B)




 3. La luz LED titilará, lo que indica que la batería se está cargando.

 4. La luz LED fija indicará que la carga ha finalizado. El paquete está completamente cargado y puede utilizarse en este momento o dejarse en el cargador.


DIAGNOSTICO DEL CARGADOR

Este cargador está diseñado para detectar ciertos problemas que pueden surgir con los paquetes de baterías o la fuente de alimentación. Los problemas se indican mediante una luz LED que titila en diferentes patrones.


BATERIA EN MAL ESTADO

 El cargador puede detectar una batería débil o dañada. La luz LED titila en el patrón indicado en la etiqueta. Si observa este patrón intermitente de batería en mal estado, interrumpa la carga de la batería. Devuélvala a un centro de mantenimiento o a un lugar de recolección para reciclado.

RETRASO POR PAQUETE CALIENTE/FRÍO

 Cuando el cargador detecta una batería excesivamente caliente o excesivamente fría, enciende automáticamente un Retraso por paquete caliente/frío que suspende la carga hasta que la batería se normaliza. Después de esto, el cargador cambia automáticamente al modo de Paquete cargando. Esta función garantiza la duración máxima de la batería. La luz titila en el patrón indicado en la etiqueta.

LINEA DE POTENCIA CON PROBLEMAS

 Cuando el cargador se utiliza con algunas fuentes de alimentación portátiles, como generadores o fuentes que convierten CC a CA, el cargador puede suspender temporalmente la operación. La luz LED titila en el patrón indicado en la etiqueta. Esto indica que la fuente de alimentación está fuera de los límites.

DEJAR LA BATERIA EN EL CARGADOR

El cargador y el paquete de baterías se pueden dejar conectados indefinidamente con la luz LED encendida. El cargador mantendrá el paquete de baterías como nuevo y completamente cargado. Este cargador posee un modo Tune-up automático que iguala o equilibra las celdas individuales en el paquete de baterías para que éste funcione a máxima capacidad.

NOTAS IMPORTANTES SOBRE LA CARGA

1. Obtendrá una duración más prolongada y un mejor rendimiento si el paquete de baterías se carga cuando la temperatura ambiente está entre 18 °C y 24 °C (65 °F y 75 °F). NO cargue el paquete de batería con una temperatura ambiental por debajo de +4.5 °C (+40 °F) o por encima de +40.5 °C (+105 °F). Esto es importante y evitará daños graves en el paquete de baterías.
2. El cargador y el paquete de baterías pueden estar calientes al tacto durante la carga. Esto es una condición normal y no indica un problema. Para facilitar el enfriado del paquete de baterías después de su uso, evite colocar el cargador o el paquete de baterías en un ambiente cálido, como debajo de un toldo de metal o en un remolque sin aislamiento.

3. Si el paquete de baterías no se carga adecuadamente:
 - a. Revise el tomacorriente enchufando una lámpara u otro aparato
 - b. Verifique si el tomacorriente está conectado a un interruptor que corta la energía cuando usted apaga las luces.
 - c. Mueva el cargador y el paquete de baterías a un lugar donde la temperatura ambiental sea de aproximadamente 18 °C a 24 °C (65 °F a 75 °F).
 - d. Si los problemas de carga persisten, lleve la herramienta, el paquete de baterías y el cargador al centro de mantenimiento local.
4. Se debe recargar el paquete de baterías cuando no produce energía suficiente para tareas que previamente realizaba con facilidad. **NO CONTINÚE** utilizando la herramienta en estas condiciones. Siga el procedimiento de carga. También se puede cargar un paquete de baterías parcialmente usado cuando se desee, sin ningún efecto negativo sobre éstas.
5. Se deben mantener lejos de las cavidades del cargador los materiales extraños de naturaleza conductora, entre los que se incluyen la lana de acero, el papel de aluminio o cualquier acumulación de partículas metálicas. Éstos son sólo algunos ejemplos y no constituyen una lista taxativa. Siempre desenchufe el cargador del tomacorriente cuando no haya un paquete de baterías en la cavidad. Desenchufe el cargador antes de intentar limpiarlo.
6. No congele ni sumerja el cargador en agua ni en ningún otro líquido.

⚠ ADVERTENCIA: Riesgo de descarga eléctrica.

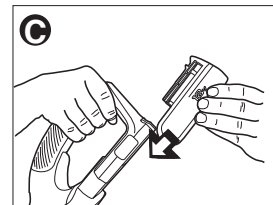
No permita que ningún líquido entre en el cargador. Nunca intente abrir el paquete de baterías por ningún motivo. Si la caja protectora de plástico del paquete de baterías se rompe o agrieta, devuélvala a un centro de mantenimiento para su reciclado.

ENSAMBLAJE

⚠ ADVERTENCIA: Antes del ensamblaje, retire la batería de la herramienta.

COLOCACION Y RETIRO DE LA BATERIA (FIGURA C)

- Para colocar la batería, alinéela con el receptáculo en la herramienta. Deslice la batería dentro del receptáculo y empújela hasta que encaje en su lugar.
- Para retirar la batería, empuje el botón de liberación y simultáneamente tire de la batería fuera del receptáculo.



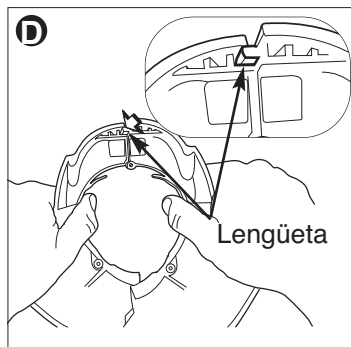
ENSAMBLADO Y COLOCACION DEL PROTECTOR DE DOS PIEZAS

- Se requiere un destornillador Phillips (no suministrado) para instalar el protector.

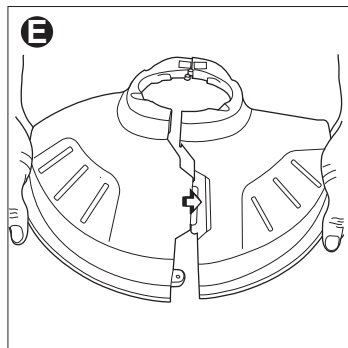
⚠ ADVERTENCIA: Retire el paquete de baterías de la herramienta antes de colocar el protector o realizar cualquier tipo de ajuste. **NUNCA OPERE LA HERRAMIENTA SIN EL PROTECTOR ADECUADAMENTE INSTALADO.** El protector siempre debe estar instalado en la herramienta para proteger al usuario.

ENSAMBLADO:

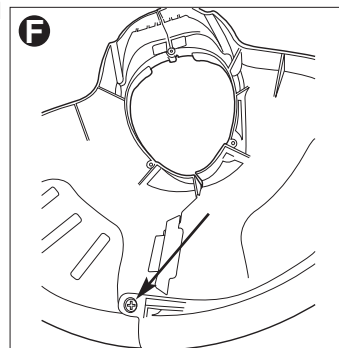
- Retire de la caja las dos secciones del protector.
- Mientras sostiene las secciones como se muestra en la **figura D**, inserte la lengüeta de la primera sección del protector en la ranura de la segunda sección del protector. Consulte el recuadro.



- Inserte la **lengüeta lateral** de la primera sección del protector en la ranura de la segunda sección del protector hasta que escuche que encajen (**figura E**).

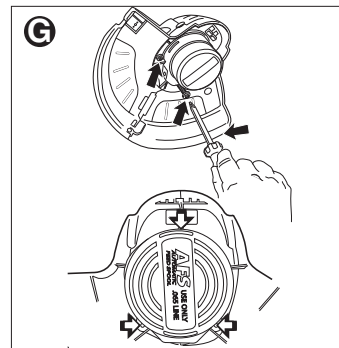


- Para completar el ensamblado del protector, inserte el tornillo de 19 mm (3/4 pulgada) como se muestra en la **figura F**.



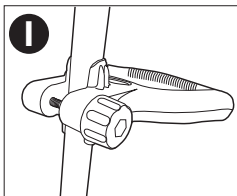
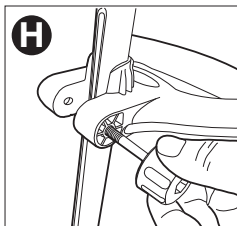
COLOCACION:

- Coloque el protector ensamblado sobre el carrete como se muestra en la **figura G** e inserte los tres tornillos restantes en el protector como lo indican las flechas.
- Una vez instalado, retire la cubierta de la hoja de corte de la cuerda, ubicada en el extremo de la segunda sección del protector.



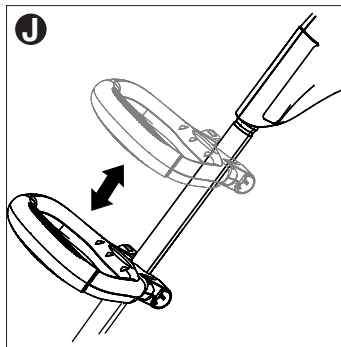
ACCESORIO DE MANGO AUXILIAR

Empuje el mango auxiliar sobre el tubo superior. Coloque el mango de manera que la ranura del tubo esté ubicada en el medio de la abertura del mango. Inserte el perno del mango a través del orificio del mango como se muestra en la **Figura H y I**.



AJUSTE DEL MANGO AUXILIAR

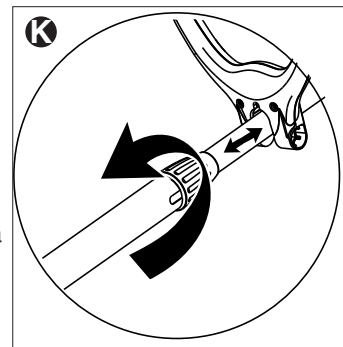
Para mayor comodidad y control, ajuste el mango auxiliar de acuerdo con su altura (**Fig. J**). Los usuarios de menor estatura deben ajustarlo a una posición más baja (más lejos del cuerpo) y aquéllos de mayor estatura, a una posición más alta (más cerca del cuerpo). El mango se debe ajustar de manera que el brazo delantero esté en posición de trabajo (**Fig. M**).



AJUSTE DE ALTURA

La altura total de la podadora se puede ajustar aflojando el anillo de bloqueo y girándolo en dirección opuesta a la flecha que se muestra en la **Figura K**.

Luego, los tubos se pueden alargar o acortar. Al alcanzar la altura deseada, ajuste el anillo girándolo en la dirección que se muestra en la **Figura K**.



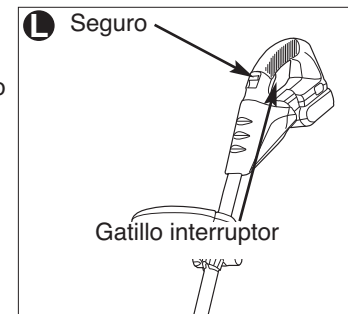
INSTRUCCIONES DE OPERACIÓN

⚠ PRECAUCIÓN: SIEMPRE UTILICE PROTECCION PARA LOS OJOS.

⚠ PRECAUCIÓN: Inspeccione el área por cortar y saque los alambres, cables u objetos similares, que podrían enredarse en la cuerda giratoria o el carrete. Tenga especial precaución a fin de evitar cables que estén doblados hacia afuera del trayecto de la herramienta, como las púas en la base de un alambre de púas.

OPERACIÓN DE LA DESBROZADORA/ORILLADORA

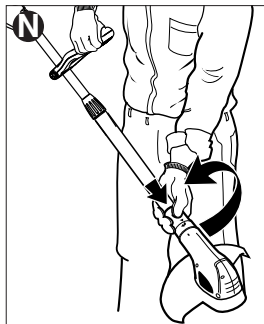
- Para encender la desbrozadora, tire del botón del seguro, ilustrado por la **figura L**, hacia atrás y a continuación oprima el gatillo interruptor. Para apagar la herramienta, suelte el gatillo.



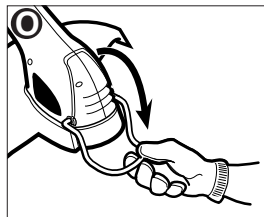
- Balancee lentamente la desbrozadora de lado a lado, como se observa en la **figura M**.



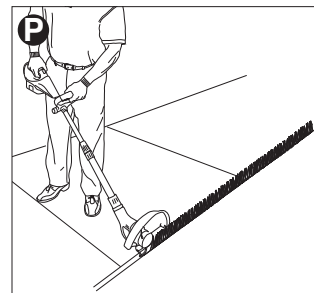
- Para transformar la unidad en orilladora de mantenimiento, apáguela (observe la **figura N**). Sujete la desbrozadora con una mano por el mango auxiliar, sujete el collarín y empuje en dirección de la flecha y gire la cabeza de la desbrozadora hasta que tope (media vuelta), retire su mano (gire en el sentido de las manecillas del reloj cuando se observe desde el extremo del interruptor). La herramienta quedará asegurada en posición de orilladora.



Gire la guía de orillado de alambre hacia adelante y hacia abajo a su sitio antes de orillar, como se ilustra en la **figura O**.



- Para operar la unidad como orilladora de mantenimiento, colóquela sobre la acera como se muestra en la **figura P**.
- Para devolver a la posición de desbrozadora apague la unidad, empuje en dirección de la flecha y gire la cabeza de la desbrozadora en sentido opuesto a las manecillas del reloj hasta que tope. Cuando utilice la unidad en el modo de desbrozadora, usted puede elegir plegar el alambre guía fuera del camino.



ALIMENTACION DE LA CUERDA

Su podadora utiliza cuerda de nylon de 1,65 mm (0,065 pulgada) de diámetro para cortar césped y malezas rápida y fácilmente. Con el tiempo, la punta de la cuerda de nylon se desgastará y el mecanismo de alimentación automática proporcionará y recortará un nuevo pedazo de cuerda.

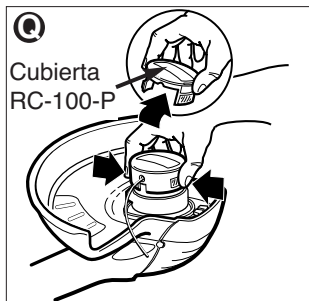
La cuerda de corte se desgastará más rápidamente si el corte se hace a lo largo de aceras u otras superficies abrasivas, o si se cortan malezas más gruesas. El mecanismo de alimentación automática detecta cuándo se necesita más cuerda de corte y proporciona y recorta la longitud correcta de cuerda cada vez que sea necesario. Ni siquiera necesita preocuparse de esto. No golpee la unidad sobre el suelo para intentar proporcionar cuerda ni para ningún otro propósito.

REEMPLAZO DEL CARRETE/LIMPIEZA DE OBSTRUCCIONES Y CUERDAS ENREDADAS

De vez en cuando, especialmente al cortar malezas gruesas o frondosas, la bobina de alimentación de la cuerda podría atascarse con la savia de las plantas u otro material, de modo que la cuerda también se podría atascar. Para eliminar el atascamiento, siga los pasos enumerados a continuación.

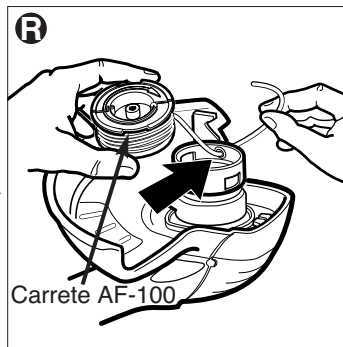
- Apague la podadora y retire la batería.

- Presione las lengüetas de liberación de la cubierta del carrete de la cuerda como se muestra en la **Figura Q** y retire la cubierta tirándola derecho hacia afuera.

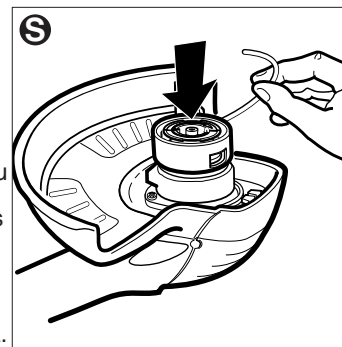


- Levante el carrete de cuerda de nylon para sacarlo de la bobina y retire toda la cuerda dañada o los residuos de cortes del área del carrete.

- En caso de obstrucciones y cuerda enredada desenrolle alrededor de 30 cm (1 pie) de cuerda para asegurarse de que no esté dañada. Si está en buenas condiciones, vuelva a enrollarla e inserte el extremo de la cuerda a través del orificio en la bobina del carrete, como se muestra en la **Figura R**.



- Tire de la cuerda a través del orificio para mantener la tensión al bajar el carrete sobre la bobina con el lado marcado expuesto, como se muestra en la **Figura S**.



- Presione el carrete hacia abajo **CON DELICADEZA** y gírelo hasta que sienta que encaja en su lugar. (Cuando esté en posición, el carrete girará libremente algunos grados a la izquierda y a la derecha).
- Ajuste a presión la cubierta del carrete nuevamente, inserte la batería y encienda la herramienta. En unos segundos o menos, escuchará cómo la cuerda de nylon se corta automáticamente a la longitud adecuada.
- Para lograr una alimentación sin problemas y los mejores resultados, utilice únicamente carretes de repuesto de Black & Decker con cuerda única de 1,65 mm (0,065 pulgada). Carrete de repuesto de Black & Decker número de modelo AF-100.

REEMBOBINADO DEL CARRETE CON LÍNEA A GRANEL (UTILICE ÚNICAMENTE LÍNEA DE 0.065 PULG. (1.65 mm) DE DIÁMETRO)

También puede comprar cuerda a granel en el comercio minorista local. **NOTA:** Es probable que los carretes enrollados a mano con una cuerda a granel se enreden con mayor frecuencia que los carretes de Black & Decker enrollados de fábrica.

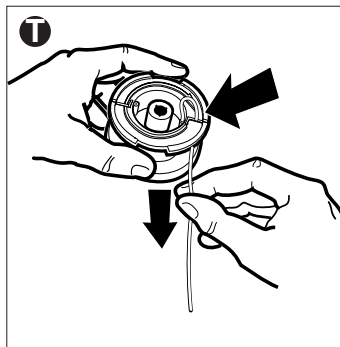
Para instalar la línea a granel, siga los pasos que se describen a continuación.

Para instalar la cuerda a granel, siga los pasos a continuación.

- Apague la podadora y retire la batería.
- Presione las lengüetas de liberación de la cubierta del carrete de la cuerda como se muestra en la **Figura Q** y retire la cubierta tirándola derecho hacia afuera.
- Retire el carrete de la herramienta, y retire y deseche toda la cuerda

del carrete.

- Inserte un extremo de la cuerda a granel en el orificio del carrete como se muestra en la **Figura T**, aproximadamente 13 mm (1/2 pulgada).
- Sostenga la cuerda en el orificio y tire del resto de la cuerda a través de la ranura del carrete, como se muestra en la **Figura T**.
- Enrolle en forma ceñida y uniforme la cuerda a granel en el carrete en la dirección de la flecha del mismo según la **Figura T** hasta que esté casi lleno.
- Inserte el extremo de la cuerda a través del orificio de la bobina del carrete como se muestra en la **Figura R**. Tire de la cuerda a través del orificio para mantener la tensión al bajar el carrete sobre la bobina con el lado marcado expuesto, como se muestra en la **Figura S**.
- Presione el carrete hacia abajo **CON DELICADEZA** y gírelo hasta que sienta que encaja en su lugar. (Cuando esté en posición, el carrete girará libremente algunos grados a la izquierda y a la derecha).
- Ajuste a presión la cubierta del carrete nuevamente, inserte la batería y encienda la herramienta. En unos segundos o menos, escuchará cómo la cuerda de nylon se corta automáticamente a la longitud adecuada.



Mantenimiento

- Para limpiar la herramienta, sólo utilice jabón suave y un paño húmedo. Nunca permita que penetre líquido dentro de la herramienta y nunca sumerja las piezas de la herramienta en un líquido.
- **⚠️ ADVERTENCIA:** Retire o desconecte la batería antes de realizar tareas de mantenimiento, limpieza o extracción de materiales de la herramienta de jardinería.

Accesorios

- Los accesorios recomendados para emplearse con su herramienta están a su disposición con el distribuidor o centro de servicio de su localidad. Si necesita ayuda en relación con los accesorios, llame por favor: **1-800-544-6986**.
- Utilice el carrete de repuesto Black & Decker No. AF-100.
- Repuesto de tapa de carrete; pieza N.º RC-100-P.
- Recargue la línea de nylon (al granel o el carrete preembobinado) como se muestra en este manual.
- **UTILICE ÚNICAMENTE LÍNEA DE MONOFILAMENTO DE NYLON DE 0.065 pulg. (1,65 mm) DE DIÁMETRO.** Línea más gruesa sobrecargará el motor y ocasionará sobrecalentamiento. Esta línea está a su disposición con el distribuidor de su localidad o en los centros de servicio autorizado.
- No utilice línea de pescar ni otro tipo de líneas no recomendadas.

- **⚠️ ADVERTENCIA:** El uso de accesorios no recomendados para utilizar con esta herramienta puede resultar peligroso.
¡IMPORTANTE! Para garantizar la **SEGURIDAD** y **FIABILIDAD** del producto, toda reparación, mantenimiento y ajuste debe efectuarse en los centros de servicio autorizados u otras organizaciones de servicio calificados, utilizando siempre para ello repuestos originales.

INFORMACION DE MANTENIMIENTO

Todos los Centros de servicio de Black & Decker cuentan con personal altamente capacitado dispuesto a brindar a todos los clientes un servicio eficiente y confiable en la reparación de herramientas eléctricas. Si necesita consejo técnico, reparaciones o piezas de repuesto originales de fábrica, póngase en contacto con el centro de servicio de Black & Decker más cercano a su domicilio. Para ubicar su centro de servicio local, consulte la sección "Herramientas eléctricas" (Tools-Electric) de las páginas amarillas, llame al **1-800-544-6986** o visite nuestro sitio **www.blackanddecker.com**.

El sello RBRC™



El sello RBRC™ (Corporación de reciclado de baterías recargables) que se encuentra sobre la batería de iones de litio (o paquete de baterías) indica que los costos para reciclar la batería (o el paquete de baterías) al final de su vida útil ya fueron pagados por Black & Decker. En algunas zonas, es ilegal tirar las baterías usadas de iones de litio en la basura o en el depósito de desechos sólidos del municipio. El programa RBRC proporciona una alternativa de conciencia sobre el cuidado del medio ambiente.

RBRC, en cooperación con Black & Decker y otros usuarios de baterías, estableció programas en los Estados Unidos y Canadá para facilitar la recolección de baterías de iones de litio usadas. Ayude a proteger nuestro medio ambiente y a conservar los recursos naturales: devuelva la herramienta a un centro de mantenimiento autorizado Black & Decker para que sean recicladas. También puede comunicarse con el centro de reciclado para informarse sobre dónde dejar las baterías, o llame al **1-800-8-BATTERY**.

GARANTIA COMPLETA DE DOS AÑOS PARA USO EN EL HOGAR

Black & Decker (Estados Unidos) Inc. ofrece una garantía de dos años por cualquier defecto del material o de fabricación de este producto. El producto defectuoso se reparará o reemplazará sin costo alguno de dos maneras.

La primera opción, el reemplazo, es devolver el producto al comercio donde se adquirió (siempre y cuando se trate de un comercio participante). Las devoluciones deben realizarse conforme a la política de devolución del comercio (generalmente, entre 30 y 90 días posteriores a la venta). Le pueden solicitar comprobante de compra. Consulte en el comercio acerca de la política especial sobre devoluciones una vez excedido el plazo establecido.

La segunda opción es llevar o enviar el producto (con flete pago) a un Centro de servicio propio o autorizado de Black & Decker para

su reparación o reemplazo según nuestro criterio. Le pueden solicitar el comprobante de compra. Los Centros de servicio autorizados y de propiedad de Black & Decker se detallan en la sección “Herramientas eléctricas” (Tools-Electric) de las páginas amarillas de la guía telefónica.

Esta garantía no se extiende a los accesorios. Esta garantía le concede derechos legales específicos; usted puede tener otros derechos que pueden variar según el estado o la provincia. Si tiene alguna pregunta, comuníquese con el gerente del Centro de servicio de Black & Decker de su zona. Este producto no está diseñado para uso comercial.

AMÉRICA LATINA: esta garantía no se aplica a los productos que se venden en América Latina. Para los productos que se venden en América Latina, debe consultar la información de la garantía específica del país que viene en el empaque, llamar a la compañía local o visitar el sitio Web a fin de obtener esa información.

DETECCION DE PROBLEMAS

| <u>Problema</u> | <u>Causa posible</u> | <u>Solución posible</u> |
|----------------------------|---|--|
| •La cuerda no se alimenta. | • La cuerda está atascada en el carrete. | • Desenrosque 610 mm (24 pulg.) de cuerda y vuelva a bobinar. |
| •La cuerda no corta. | • El cortador de la cuerda en el protector está dañado o no está. • La cuerda se extiende hasta después del protector. | • Diríjase al centro de mantenimiento para que lo reparen. • Vuelva a bobinar o recorte la cuerda al cortador de la cuerda. |
| •La unidad no enciende. | • Batería no instalada correctamente. • La batería no está cargada. | • Verifique la instalación de la batería. • Verifique los requisitos de carga de la batería. |
| •La batería no carga. | • Batería no introducida en el cargador. • El cargador no está enchufado. • Temperatura del aire circundante demasiado caliente o demasiado fría. | • Introduzca la batería en el cargador hasta que aparezca el LED ámbar. • Enchufe el cargador en un tomacorriente que funcione. Consulte “Notas importantes sobre la carga” para obtener más detalles. • Verifique la corriente en el tomacorriente al enchufar una lámpara u otro artefacto • Verifique si el tomacorriente está conectado a un interruptor que corta la energía cuando usted apaga las luces. • Mueva el cargador y la herramienta a una zona con una temperatura del aire circundante superior a 4.5 °C (40 °F) o inferior a +40.5 °C (105 °F). |

Solamente para Propósitos de México

Para conocer la ubicación del centro de servicio más cercano a fin de recibir ayuda con su producto, visite nuestro sitio Web www.blackanddecker.com.mx o llame a la línea de ayuda BLACK & DECKER al **01 800 847 2309/01 800 847 2312.**

· **GARANTÍA BLACK & DECKER · BLACK & DECKER WARRANTY**
· **SOLAMENTE PARA PROPOSITOS DE MEXICO**

Distributor Name · *Sello firma del distribuidor*

Date of purchase · *Fecha de compra* *Invoice No. · No. de factura*

PRODUCT INFORMATION · *IDENTIFICACION DEL PRODUCTO*

Cat. No. · *Catalogo ó Modelo* *Serial Number · No. de serie*

Name · *Nombre* *Last Name · Apellido*

Address · *Dirección*

City · *Ciudad* *State · Estado*

Postal Code · *Código Postal* *Country · País*

Telephone · *No. Teléfono*

2 AÑOS DE GARANTIA

Este producto cuenta con dos años de garantía a partir de la fecha de compra contra cualquier defecto de su funcionamiento, así como cualquier falla debido a materiales empleados para su fabricación ó mano de obra defectuosa.

Nuestra garantía incluye la reparación o reposición del producto y/o componentes sin cargo alguno para el cliente incluyendo la mano de obra, esta incluye los gastos de trasportación erogados para lograr cumplimiento de esta garantía en los domicilios diversos señalados.

Para hacer efectiva esta garantía deberá presentar su herramienta y esta póliza sellada por el establecimiento comercial donde se adquirió el producto.

Nos comprometemos a entregar el producto en un lapso no mayor a 30 días hábiles contados a partir de la fecha de recepción del mismo en nuestros talleres de servicio autorizados.

ESTA GARANTIA NO APLICA CUANDO:

El producto se hubiese utilizado en condiciones distintas a las normales.

El producto no hubiese sido operado de acuerdo con el instructivo de uso que se acompaña.

El producto hubiese sido alterado o reparado por personas no autorizadas por nosotros.

Importador: Black & Decker S.A. de .C.V
Bosque de Cidros Acceso Radiatas No.42
3ra.Seccion de Bosques de las lomas
C.P.05120, Mexico, D.F. Tel: (01 55) 5326 7100

SOLAMENTE PARA PROPOSITOS DE MEXICO

Grupo Realsa en herramientas, S.A. de C.V.

Súper Manzana 69 MZ.01 Lote 30
(Av. Torcasita)
Col. Puerto Juárez
Cancún, Quintana Roo
Tel. 01 998 884 72 27

Ferre Pat de Puebla, S.A. de C.V.

16 de Septiembre No. 6149
Col. El Cerrito
Puebla, Puebla
Tel. 01 222 264 12 12

Ferre Pat de Puebla, S.A. de C.V.

Ejército Mexicano No. 15
Col. Ejido 1ro. de Mayo
Boca del Río, Veracruz
Tel. 01 229 167 89 89

Servicio de Fabrica Black & Decker, S.A. de C.V.

Lázaro Cardenas No. 18
Col. Obrera
Distrito Federal
Tel. 55 88 95 02

Representaciones Industriales Robles, S.A. de C.V.

Tezozomoc No. 89
Col. La Preciosa
Distrito Federal
Tel. 55 61 86 82

Gpo. Comercial de Htas. y Refacciones de Occidente, S.A. de C.V.

Av. La Paz No. 1779
Col. Americana, S. Juárez
Guadalajara, Jalisco
Tel. 01 33 38 25 69 78

Herramientas y Equipos Profesionales

Av. Colón 2915 Ote.
Col. Francisco I. Madero
Monterrey, Nvo. León
Tel. 01 81 83 54 60 06

Htas. Portátiles de Chihuahua, S.A. de C.V.

Av. Universidad No. 2903
Col. Fracc. Universidad
Chihuahua, Chihuahua
Tel. 01 614 413 64 04

Fernando González Armenta

Bolivia No. 605
Col. Felipe Carrillo Puerto
Cd. Madero, Tampico
Tel. 01 833 221 34 50

Perfiles y Herramientas de Morelia

Gertrudis Bocanegra No. 898
Col. Ventura Puente
Morelia, Michoacán
Tel. 01 443 313 85 50

Enrique Robles

Av. de la Solidaridad No. 12713
Col. La Pradera
Irapuato, Guanajuato
Tel. 01 462 626 67 39

Hernández Martínez Jeanette

Prolongación Corregidora Nte. No. 1104
Col. Arboledas
Querétaro, Qro.
Tel. 01 442 245 25 80

PARA OTRAS LOCALIDADES LLAME AL 01 800 847 2309 o 01 800 847 2312.

BLACK & DECKER S.A. DE C.V.
BOSQUES DE CIDROS ACCESO RADIATAS NO. 42
COL. BOSQUES DE LAS LOMAS.
05120 MEXICO, D.F.
TEL. (01 55) 5326 7100
01 800 847 2309/01 800 847 2312

**Vea "Herramientas
eléctricas (Tools-Electric)"
- Páginas amarillas -
para Servicio y ventas**



Cat. No. LST1018

Form No. 90563737

Apr. 2010

Copyright© 2010 Black & Decker

Printed in China

Free Manuals Download Website

<http://myh66.com>

<http://usermanuals.us>

<http://www.somanuals.com>

<http://www.4manuals.cc>

<http://www.manual-lib.com>

<http://www.404manual.com>

<http://www.luxmanual.com>

<http://aubethermostatmanual.com>

Golf course search by state

<http://golfingnear.com>

Email search by domain

<http://emailbydomain.com>

Auto manuals search

<http://auto.somanuals.com>

TV manuals search

<http://tv.somanuals.com>