

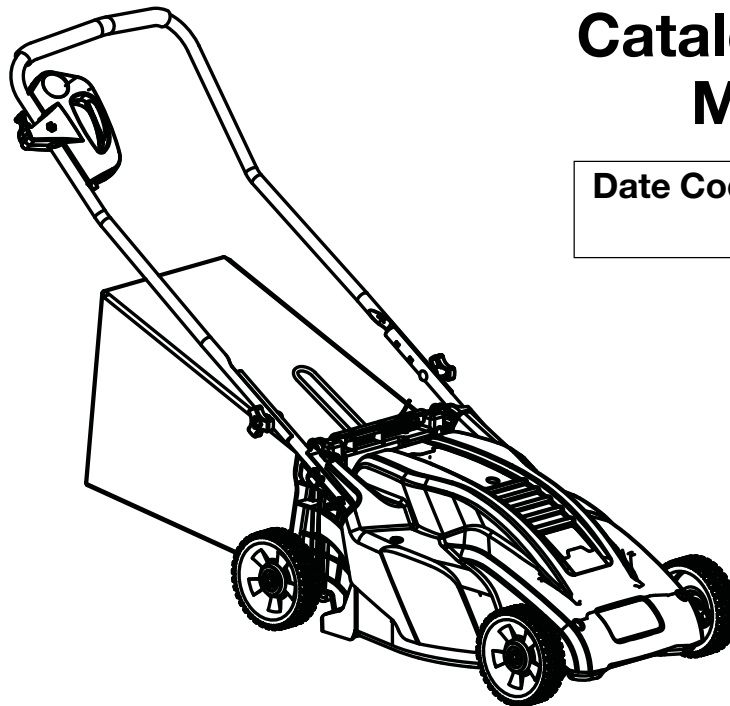


## 18 Inch (46cm) Mulching Rear Bag Mower

# INSTRUCTION MANUAL

**Catalog Number  
MM1800**

Date Code:



**Thank you for choosing Black & Decker!**  
Go to [www.BlackandDecker.com/NewOwner](http://www.BlackandDecker.com/NewOwner) to register your new product.

### PLEASE READ BEFORE RETURNING THIS PRODUCT FOR ANY REASON:

If you have a question or experience a problem with your Black & Decker purchase, go to [HTTP://WWW.BLACKANDDECKER.COM/INSTANTANSWERS](http://www.blackanddecker.com/instantanswers) for instant answers 24 hours a day.

If you can't find the answer or do not have access to the internet, call 1-800-544-6986 from 8 a.m. to 5 p.m. EST Mon. -- Fri. to speak with an agent. Please have the catalog number available when you call.

### KEY INFORMATION YOU SHOULD KNOW:

- Do not operate mower unless handle is locked into position.
- For best cutting results, keep blade sharpened and balanced.
- Inspect and thoroughly clean your mower after each use (a deck with caked grass will degrade performance).
- Make sure mowing area is clear of other persons or pets prior to starting and during operation.

**SAVE THIS INSTRUCTION MANUAL FOR FUTURE REFERENCE.**

**VEA EL ESPAÑOL EN LA CONTRAPORTADA.**

INSTRUCTIVO DE OPERACIÓN, CENTROS DE SERVICIO Y PÓLIZA DE GARANTÍA.  
**ADVERTENCIA:** LÉASE ESTE INSTRUCTIVO ANTES DE USAR EL PRODUCTO.

## SAFETY GUIDELINES - DEFINITIONS

It is important for you to read and understand this manual.

The information it contains relates to protecting YOUR SAFETY and PREVENTING PROBLEMS. The symbols below are used to help you recognize this information.

**⚠ DANGER:** Indicates an imminently hazardous situation which, if not avoided, will result in death or serious injury.

**⚠ WARNING:** Indicates a potentially hazardous situation which, if not avoided, could result in death or serious injury.

**⚠ CAUTION:** Indicates a potentially hazardous situation which, if not avoided, may result in minor or moderate injury.

**CAUTION:** Used without the safety alert symbol indicates a potentially hazardous situation which, if not avoided, may result in property damage.

The following are explanations of important safety hazard pictorials on the mower.



1. User must read and understand the instruction manual.



2. To avoid the risk of serious injury do not mow up and down slopes. Always mow across slopes.



3. To avoid the risk of injury to bystanders keep all persons and pets at a safe distance from the mower while operating.



4. Rotating blades can cause serious injury. Keep hands and feet clear of mower deck and discharge opening at all times. Always be sure blade has stopped (wait for the blade to stop rotating (approximately 3 seconds) after releasing switch lever and unplugging before removing and replacing grass catcher, cleaning, servicing, transporting or lifting the mower.



5. Objects struck by mower blade can cause serious injury. Stay behind the handle when the motor is running. Always ensure persons and pets are clear of the discharge from the mower while operating. Always inspect mowing area before mowing and remove objects that could be thrown by blade. Release switch lever to turn mower off and wait for the blade to stop rotating (approximately 3 seconds) before crossing walk, roads, patio and gravel drives.

## ⚠ WARNING: IMPORTANT SAFETY WARNINGS AND INSTRUCTIONS

**⚠ WARNING:** When using electric gardening appliances, basic safety precautions should always be followed to reduce risk of fire, electric shock, and personal injury, including the following.

### READ ALL INSTRUCTIONS

#### TO REDUCE RISK OF INJURY:

- Before any use, be sure everyone using this tool reads and understands all safety instructions and other information contained in this manual.
- Save these instructions and review frequently prior to use and in instructing others.

## ⚠ DANGER IMPORTANT SAFE PRACTICES FOR WALK-BEHIND MOWERS

This lawn mower is capable of amputating hands and feet and throwing objects. Failure to observe the following safety instructions could result in serious injury or death.

### GENERAL OPERATION

1. Read, understand, and follow all instructions on the mower and in the instruction manual before starting.
2. Do not put hands or feet near or under the mower. Keep clear of the discharge opening at all times.
3. Only allow responsible adults, who are familiar with the instructions, to operate this mower.
4. Clear the area where the mower is to be used of objects such as rocks, sticks, wire, toys, bones, etc., which could be thrown by the blade. Objects struck by the blade can cause severe injury to persons. Stay behind the handle when the motor is running.
5. Be sure the area surrounding the mower is clear of bystanders before operating. All bystanders and pets should be kept at a safe distance. Stop the mower if anyone enters the area surrounding the mower.
6. Do not operate mower barefooted or while wearing sandals. Always wear substantial footwear.
7. Do not pull mower backward unless absolutely necessary. Always look down and behind before and while moving backward.
8. Never direct discharged material toward anyone. Avoid discharging material against a wall or obstruction. Material may ricochet back toward the operator. Release switch lever to turn mower off and stop the blade when crossing gravel surfaces or when flipping the handle.
9. Do not operate mower without the entire grass catcher, discharge guard, rear guard, or other safety protective devices in place and working. Periodically check all guards and safety protective devices to ensure they are in good working order and will operate properly and perform their intended function. Replace a damaged guard or other safety device before further use.
10. Never leave a running mower unattended.
11. Always release the switch lever to stop the motor and wait until the blade comes to a complete stop and unplug the mower before cleaning the mower, removing the grass catcher, unclogging the discharge guard, when leaving the mower, or before making any adjustments, repairs or inspections.
12. Operate mower only in daylight or good artificial light when objects in the path of the blade are clearly visible from the operating area of the mower.
13. Do not operate mower while under the influence of alcohol or drugs, or when you are tired or ill. Always stay alert, watch what you are doing, and use common sense.
14. Avoid dangerous environments. Never operate mower in damp or wet grass, never use mower in the rain. Always be sure of your footing; walk; never run.
15. Disengage the drive system, if so equipped, before starting the motor.

16. If the mower should start to vibrate abnormally, release the switch lever, wait for the blade to stop and unplug the mower, then check for the cause immediately. Vibration is generally a warning of trouble.
17. Always wear proper eye and respiratory protection when operating the mower.
18. The use of any accessory or attachment not recommended for use with this mower could be hazardous. Only use accessories approved by Black & Decker.
19. Never overreach while operating the mower. Always be sure to keep proper footing and balance at all times while operating the mower.

## SLOPE OPERATION

Slopes are a major factor related to slip and fall accidents, which can result in severe injury. Operation on all slopes requires extra caution. If you feel uneasy on a slope, do not mow it.

1. Mow across the face of slopes; never up and down. Exercise extreme caution when changing direction on slopes.
2. Watch for holes, ruts, bumps, rocks, or other hidden objects. Uneven terrain could cause a slip and fall accident. Tall grass can hide obstacles.
3. Do not mow on wet grass or excessively steep slopes. Poor footing could cause a slip and fall accident.
4. Do not mow near drop-offs, ditches, or embankments. You could lose your footing or balance.

## CHILDREN

Tragic accidents can occur if the operator is not alert to the presence of children. Children are often attracted to the mower and the mowing activity. Never assume that children will remain where you last saw them.

1. Keep children out of the mowing area and under the watchful care of a responsible adult other than the operator.
2. Be alert and turn mower off if a child enters the area.
3. Never allow children to operate the mower.
4. Use extra care when approaching blind corners, shrubs, trees, or other objects that may block your view of a child.


## GENERAL SERVICE

1. Never operate mower in a closed area.
2. Keep all nuts and bolts tight to be sure the equipment is in safe working condition.
3. Never tamper with safety devices. Check their proper operation regularly.
4. Keep mower free of grass, leaves, or other debris build-up. Allow mower to cool before storing.
5. If you strike a foreign object, release switch lever to turn mower off wait for the blade to stop and unplug the mower and then inspect the mower. Repair, any damage, before starting and operating the mower.
6. Never make any adjustments or repairs with the motor running or while the mower is plugged in.
7. Always unplug electric mowers before adjusting, cleaning, repairing, inspecting, transporting, storing or leaving the mower.
8. Check grass catcher components and the discharge guard frequently and when necessary replace with Black & Decker recommended parts only.
9. Mower blades are sharp. Wrap the blade or wear gloves, and use extra caution when servicing them.
10. Maintain or replace safety and instruction labels, as necessary.

## ⚠ **WARNING: GENERAL SAFETY WARNINGS AND INSTRUCTIONS FOR ALL TOOLS**

- **THIS TOOL CAN BE DANGEROUS.** Follow all warnings and Safety Instructions in this manual. The operator is responsible for following warnings and instructions in this manual and on unit. Restrict use of this mower to persons who read, understand and follow warnings and instructions in this manual and on unit.
- **STORE IDLE MOWER INDOORS.** Mowers should be stored indoors in dry, secured area – out of reach of children.
- **DON'T FORCE MOWER.** It will do the job better and with less likelihood of a risk of injury at the rate for which it was designed.
- **USE RIGHT APPLIANCE.** Do not use the mower for any job except that for which it is intended.
- **DRESS PROPERLY.** Do not wear loose clothing or jewelry. They can be caught in moving parts. Rubber gloves, long pants and substantial, non-skid footwear are recommended when working outdoors.
- **USE SAFETY GLASSES AND OTHER SAFETY EQUIPMENT.** Use safety goggles or safety glasses with side shields, complying with applicable safety standards and, when needed, a face shield. Also use face or dust mask if operation is dusty. This applies to all persons in the work area. Also use a hard hat, hearing protection, gloves, safety shoes and dust collection systems when specified or required. Safety glasses or the like are available at extra cost at your local dealer or Black & Decker Service Center.
- **DON'T ABUSE CORD.** Never carry mower by cord or yank it to disconnect from receptacle. Keep cord away from heat, oil, and sharp edges.
- **MAINTAIN MOWER WITH CARE.** Keep cutting edge clean and sharp for best performance and to reduce the risk of injury. Follow instructions for lubricating and changing accessories. Inspect mower cord periodically and if damaged, have it repaired by authorized service facility. Inspect extension cords periodically and replace if damaged. Keep handles dry, clean, and free from oil and grease.
- **AVOID UNINTENTIONAL STARTING.** Don't carry plugged-in mower with finger on switch. Be sure switch is off when plugging in.
- **BEFORE USING,** always visually inspect to see that the blade, blade fasteners and cutter assembly are not worn or damaged. Replace worn or damaged blades and fasteners in sets to preserve balance. Inspect the mower cord - ensure it is in good condition. Cord insulation must be intact with no cracks or deterioration.
- **TO REDUCE THE RISK OF ELECTRIC SHOCK,** this mower has polarized plug blades (one blade is wider than the other) and will require the use of a polarized extension cord. The mower plug will fit into a polarized extension cord only one way. If the plug does not fit fully into the extension cord, reverse the plug. If the plug still does not fit, obtain a correct polarized extension cord. A polarized extension cord will require the use of a polarized wall outlet. The extension cord plug will fit into the polarized wall outlet only one way. If the extension cord plug does not fit fully into the wall outlet, reverse the plug. If the extension cord plug still does not fit, contact a qualified electrician to install the proper wall outlet. Do not change the mower plug, extension cord receptacle, or extension cord plug in any way.
- **EXTENSION CORDS.** Make sure your extension cord is in good condition. Cord insulation must be intact with no cracks or deterioration. Plug connectors must be undamaged. When using an extension cord, be sure to use one heavy enough to carry the current your product will draw. An undersized extension cord will cause a drop in line voltage resulting in loss of power and overheating, which can shorten the life of the motor. The table shows the correct size to use depending on cord length and nameplate ampere rating. If in doubt, use the next heavier gauge. The smaller the gauge number, the heavier the cord.

Volts	Minimum Gauge for Cord Sets				
	Total Length of Cord in Feet				
120V	0-25	26-50	51-100	101-150	
	(0-7,6m)	(7,6-15,2m)	(15,2-30,4m)	(30,4-45,7m)	
240V	0-50	51-100	101-200	201-300	
	(0-15,2m)	(15,2-30,4m)	(30,4-60,9m)	(60,9-91,4m)	
Ampere Rating		American Wire Gauge			
More Than	Not more Than				
0	- 6	18	16	16	14
6	- 10	18	16	14	12
10	- 12	16	16	14	12
12	- 16	14	12	Not Recommended	

-  indicates the Mower is “DOUBLE INSULATED”

- **OUTDOOR USE EXTENSION CORDS.** To reduce the risk of electric shock, use only with an extension cord intended for outdoor use, such as an extension cord of type SW-A, SOW-A, STW-A, STOW-A, SJW-A, SJOW-A, SJTW-A, or SJTOW-A.
- **GROUND FAULT CIRCUIT INTERRUPTER (GFCI)** protection should be provided on the circuits or outlets to be used for the mower. Receptacles are available having built in GFCI protection and may be used for this measure of safety.
- **CHECK FOR DAMAGED PARTS.** Before further use of the mower, a guard or other part that is damaged should be carefully checked to determine that it will operate properly and perform its intended function. Check for alignment of moving parts, binding of moving parts, breakage of parts, mounting, and any other conditions that may affect their operation. A guard or other part that is damaged should be properly repaired or replaced by an authorized service center unless otherwise indicated elsewhere in this manual.
- **REPAIRS AND SERVICE.** Repairs, maintenance and any adjustments not specified in this manual should be performed by Black & Decker authorized service centers or other qualified service organizations, always using identical replacement parts.

**⚠ DANGER: ADDITIONAL WARNINGS FOR MOWERS**

- **ALWAYS** firmly grip handle with both hands when operating mower.
- **NEVER** wear radio or music headphones while operating mower.
- **CONTAIN** long hair.
- **NEVER** attempt to make a wheel height adjustment while the motor is running or while the mower is plugged in.
- **IF MOWER** stalls, release switch lever to turn mower off, wait for blade to stop and unplug the cord before attempting to unplug the chute or remove anything from under the deck.
- **KEEP HANDS** and feet away from cutting area.
- **KEEP BLADES** sharp. Always use protective gloves when handling the mower blade.
- **IF YOU** are using a grass catcher, check it frequently for wear and deterioration. If excessively worn, replace with new bag for your safety.
- **USE EXTREME CAUTION** when reversing or pulling mower toward you.

**⚠ WARNING:** Some dust created by this product contains chemicals known to the State of California to cause cancer, birth defects or other reproductive harm. Some examples of these chemicals are:

- compounds in fertilizers
- compounds in insecticides, herbicides and pesticides
- arsenic and chromium from chemically treated lumber

To reduce your exposure to these chemicals, wear approved safety equipment such as dust masks that are specially designed to filter out microscopic particles.

**SAVE THESE INSTRUCTIONS**

**PREPARATION**

PLEASE REFER TO DIAGRAMS (A, B, C...) AND ITEM NUMBERS (1, 2, 3...) AS NOTED THROUGHOUT MANUAL. FOR EXAMPLE, A-1 REFERS TO ITEM 1 IN FIGURE A.

**UNPACKING - (FIGURES A1, A2)**

**STEP 1:**

Open the tops of the box. Carefully cut down the sides of the box on the opposite end of the handle and fold the flap down as shown.

**⚠ WARNING: Sharp blade.** Keep body parts away from blade.

**STEP 2:**

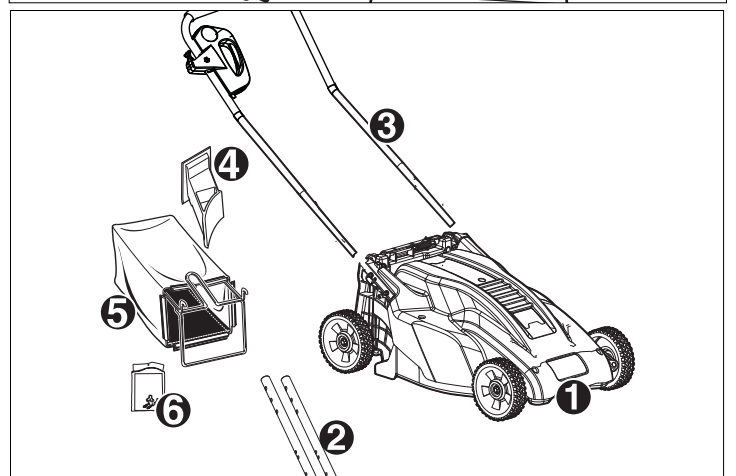
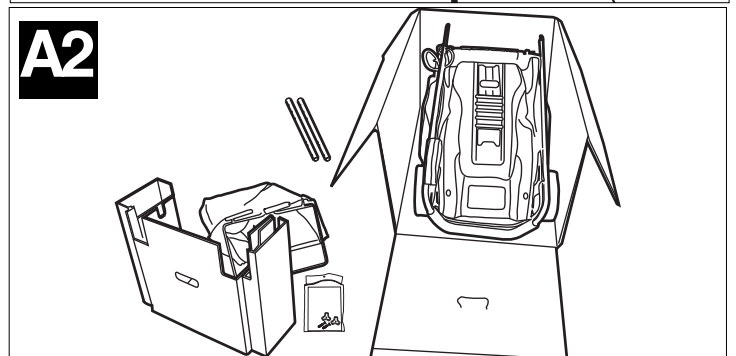
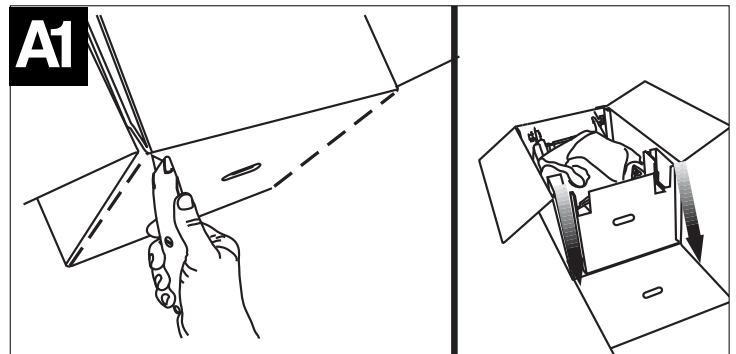
With the carton end cut open, remove the cardboard filler, handle tubes, accessory bag and grass bag and push the mower out of the opened carton.

**ASSEMBLY INSTRUCTIONS**

BEFORE ASSEMBLING YOUR MOWER, CHECK THAT YOU HAVE RECEIVED THE FOLLOWING IN THE SHIPPING CARTON.

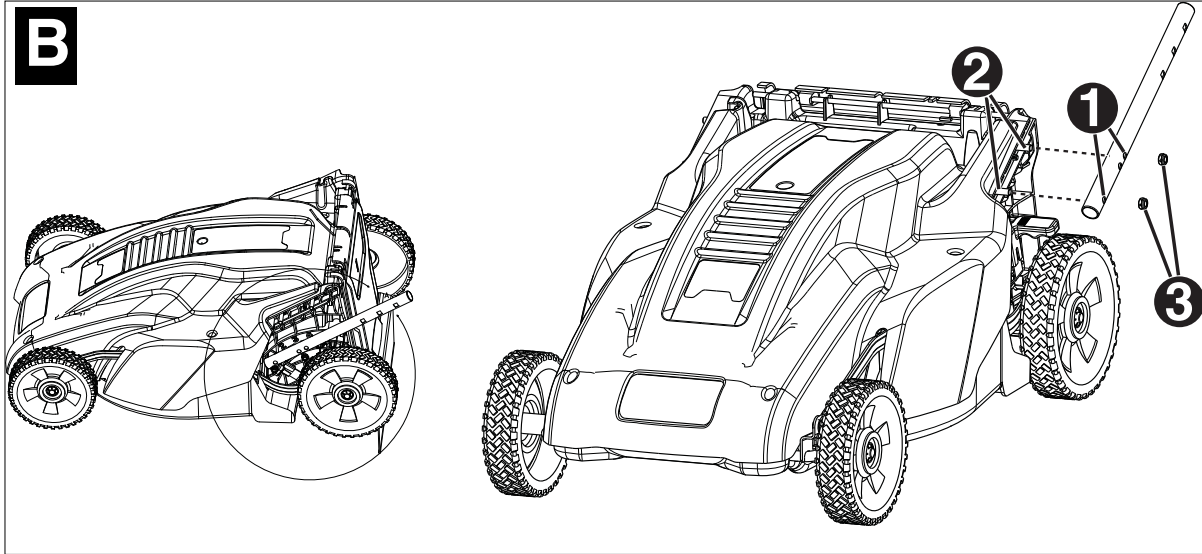
1. Mower
2. Lower Handle Sections
3. Upper Handle
4. Mulch Insert (inside mower under rear door)
5. Grass bag and Grass bag Frame
6. Accessory bag

Tools required for assembly:  
Adjustable or 1/2 inch (13mm) wrench

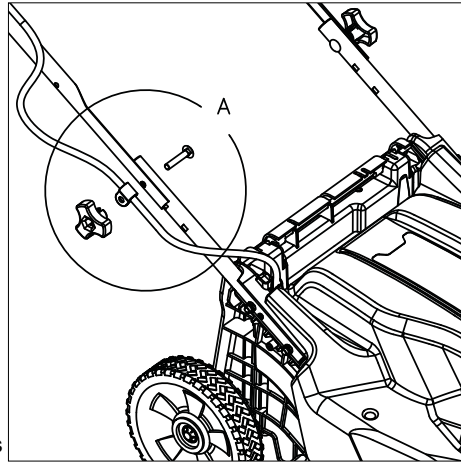


## HANDLE ASSEMBLY - (FIGURE B)

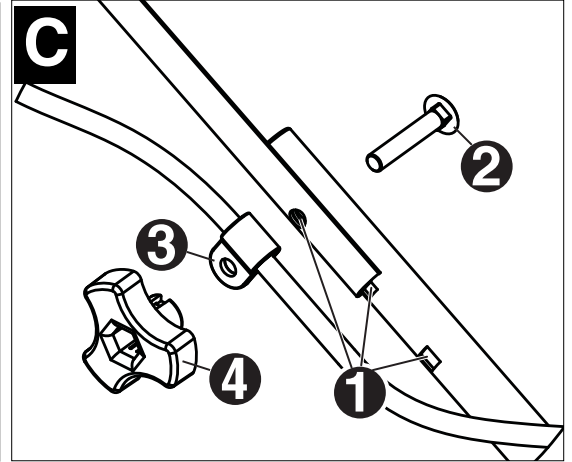
1. Align the round holes in the lower handle section (B1) with the two threaded studs (B2) in the side wall of the deck.
2. Push the handle section onto the studs fully.
3. Thread on two lock nuts (B3) and tighten with a 1/2 inch (13mm) wrench. Repeat for other side.



4. Slide the one piece upper handle into one of the 3 adjustment positions (C1), aligning the holes in the upper and lower handles. **NOTE: Adjust the handle position at this time to suit your height preference. Taller users may want the handle assembled as shown in figure C while shorter users may want to adjust the upper handle to one of the two remaining height adjustment positions.**

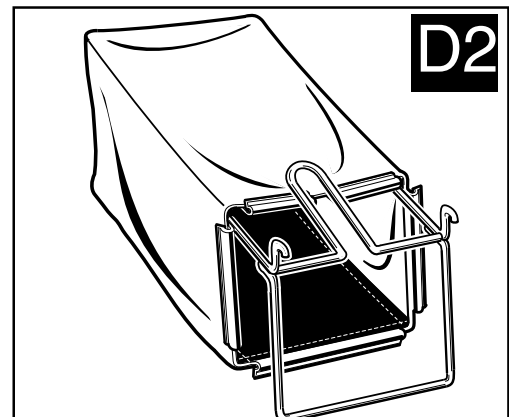
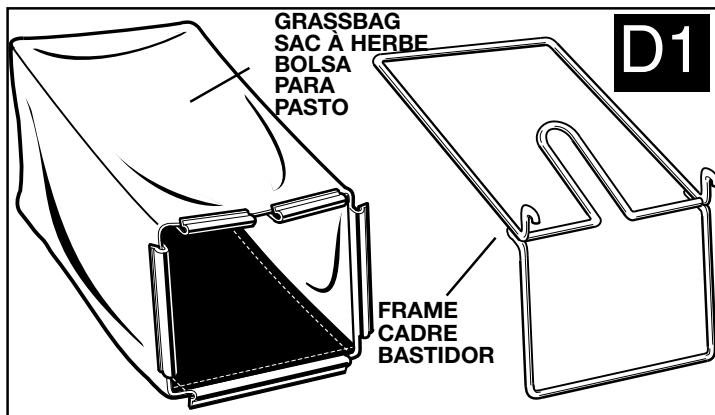


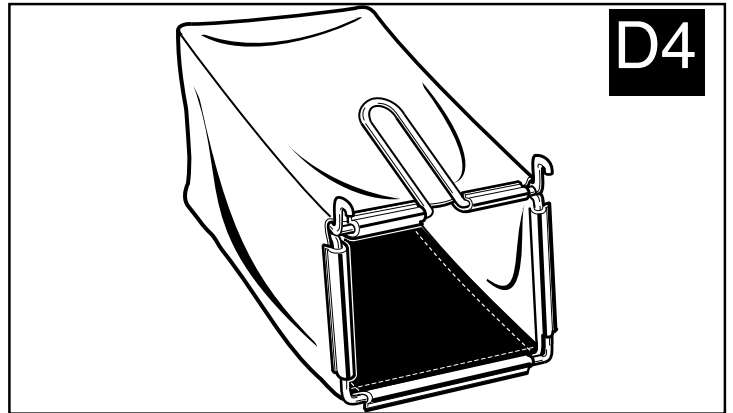
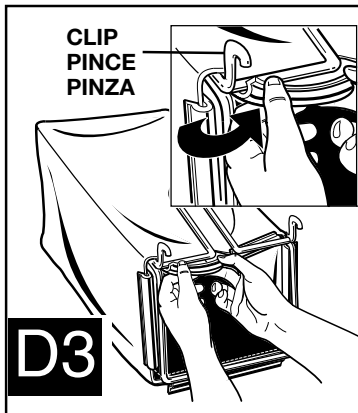
5. Insert the carriage bolt (C2) until the head of the bolt is fully seated against the handle.
6. Align the cord retainer (C3) with the carriage bolt. Install the knob (C4), tightening securely. The knobs should always be on the outside of the handles to avoid interference with the rear door and grass bag. Insert carriage bolt and install knob for other side.



## ASSEMBLING THE GRASS CATCHER (FIGURES D1, D2, D3, D4)

1. Before starting to assemble the grass bag to the frame, check that the grass bag and frame are similar to figure D1.
2. Slide the grass bag onto the frame as shown in figure D2 making sure bag is under frame handle.
3. Assemble the top clips to the frame as shown in figure D3, then assemble the two side clips and the bottom clip last.
4. Completely assembled grass catcher is shown in figure D4.

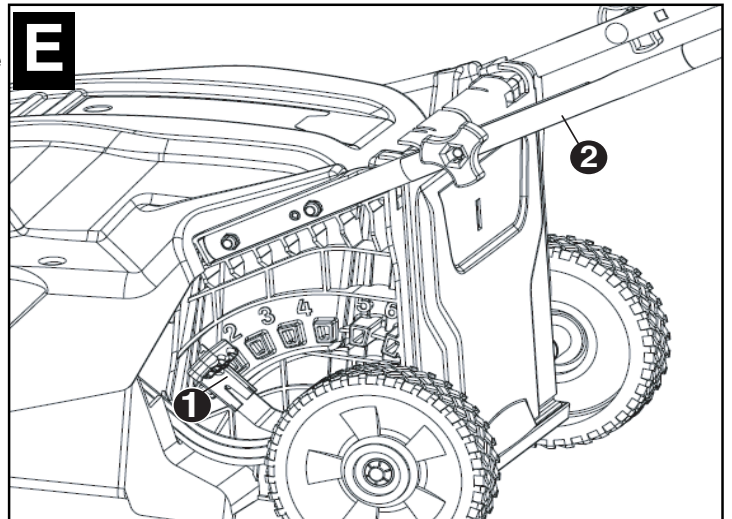




### WHEEL HEIGHT ADJUSTMENT (1-1/4 IN. (32mm) TO 3-1/2 IN. (89mm) FIGURE E

**NOTE:** Certain types of grass or grass conditions may require varying the height of the mower deck.

1. Before making any adjustments, turn mower off, wait for blade to stop, and unplug mower.
2. Your mower features the Black & Decker single lever wheel height adjust system. This system will adjust all four wheels at the same time. Mower adjusts from 1-1/4 in. (32 mm) to 3-1/2 in. (89 mm) with six increments which are marked on the mower.
3. Place your left hand on the height adjust handle E1 and your right hand on the lower part of the main handle E2.
4. Pull height adjust handle (E1) away from mower, and re-set in the desired height adjust position. Rotating the height adjust handle towards the front of the mower lowers the cutting height, and rotating towards the rear raises the cutting height.



### RECOMMENDED APPROXIMATE CUTTING HEIGHT

The cutting height should be in the higher recommendation for warmer weather, lower for shade areas and for the last mow before winter. Follow the 1/3 rule, never cut off more than 1/3 of the total height of the grass. If lawn is too high to practice this rule, raise the cut height before mowing and then lower to desired height and mow again in a day or so.

## OPERATING INSTRUCTIONS

**NOTE:** A mower is a major appliance and should not be operated simultaneously with other major appliances on the same house circuit.

**⚠ WARNING:** Make sure that other persons and pets are at least 100 feet (30.48 m) away.

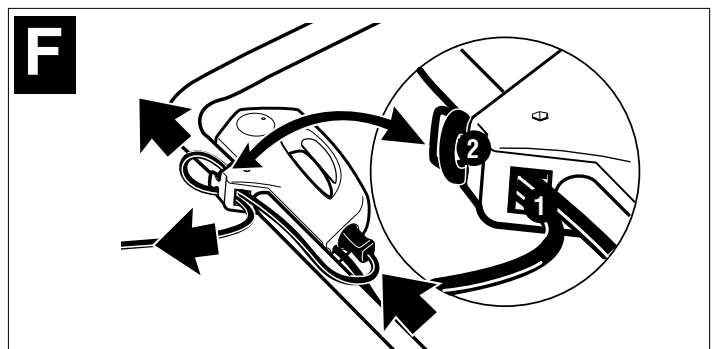
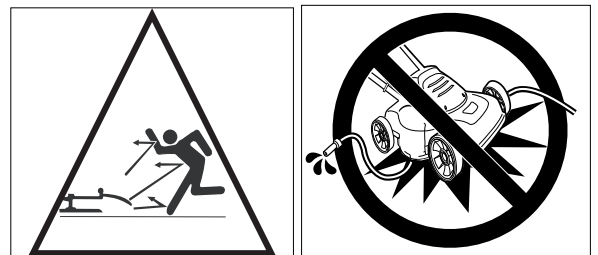
Remove all rocks, sticks, wire, toys, bones, and other debris or items which might be thrown by the rotating blade.

### ATTACHING EXTENSION CORD TO MOWER

#### (FIGURE F)

**DO NOT** connect the extension cord to power source until you have finished reading this manual and you are ready to start mowing.

1. The extension cord must be polarized and will only plug in one way, orient the wide slot with the wide blade in the switch housing.
2. Loop the extension cord (F1) and push the loop up through the hole in the switch housing.
3. Pull the extension cord on the side of the loop that is plugged into the switch housing and remove all the slack in this section of the extension cord.
4. Place the loop over the strain relief tab (F2) on the switch housing and pull the extension cord so the loop draws down around the strain relief tab as shown in the detail. Double check to see that you did not loosen the extension cord.



## SWITCH USE (FIGURE G)

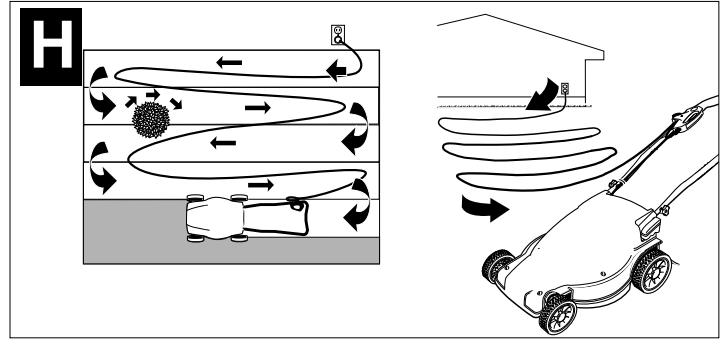
Your mower is equipped with a special switch. To operate the switch, insert your finger into the opening (Figure G) and push the lever out so that you can grasp it with your other hand. Pull the lever back to turn the unit on and hold it against the mower handle to keep it running. To turn the mower off, just release the lever. The spring loaded "SNAP ACTION" lever will quickly turn the mower off.

**⚠WARNING:** NEVER ATTEMPT TO OVERRIDE THE OPERATION OF THIS SWITCH.



## EXTENSION CORD TO ELECTRICAL OUTLET (FIGURE H)

1. Place most of the extension cord close to the electrical outlet, out of the path of the mower. Attach extension cord to mower.
2. Start in direction where extension cord side of mower is closest to the outlet. Begin mowing in the area closest to the outlet and mow in a back and forth manner. Note the cord is kept on cut portion of lawn and out of the path of the mower. (Figure H)
3. Avoid mowing in circles as cord will be harder to manage.



## SAFETY SHIELD AND REAR DOOR -FIGURE I

The safety shield (I-1) is designed to minimize the throwing of stones or other objects by the mower blade backward from under the mower deck. The shield, along with the rear door (I-2), minimizes the possibility of accidental foot contact with the blade. DO NOT operate mower without the safety shield and rear door in place.

**⚠DANGER: Sharp moving blade.** For your own safety DO NOT use this mower without either the grass catcher or mulch insert in operating position as serious injury could result.

**⚠DANGER: Sharp moving blade.** Do not operate the mower if the rear door is not closed under spring tension as serious injury could result. Take your mower to the nearest service center for repair.

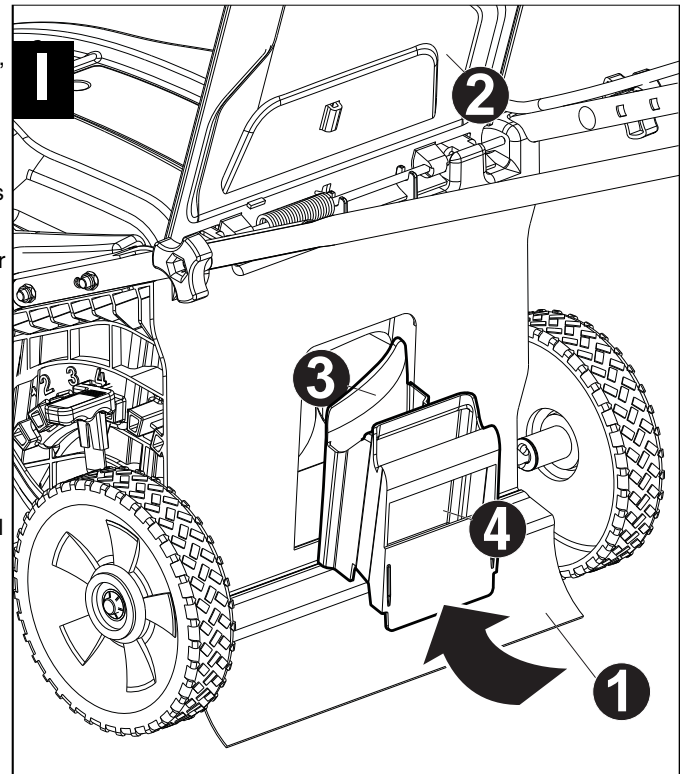
## REMOVING MULCH INSERT - FIGURE I

To remove the mulch insert (I-3) so that you can bag the grass or discharge with the optional discharge chute, follow the steps listed below:

1. Turn mower off, wait for blade to stop, and unplug mower.
2. Raise the rear discharge door (I-2) and hold it up.
3. Locate your hand in the handle pocket (I-4), lift and pull out the mulch insert (I-3) completely.
4. The rear discharge door is spring loaded. When you release it the door will return to the closed position.

## INSTALLING MULCH INSERT

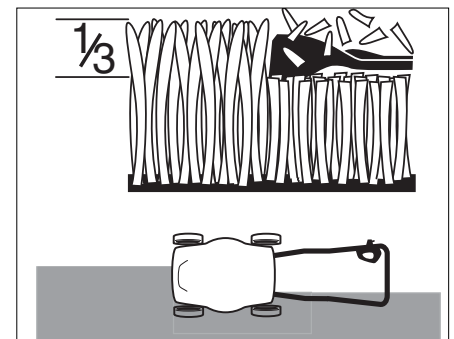
1. Repeat steps 1 and 2 for removing mulch insert.
2. Slide the mulch insert (I-3) into the discharge opening until it is firmly in contact with the deck.
3. Release rear door and ensure it is properly closed.



## MULCHING TIPS

In the mulching configuration your new mower is designed to re-cut the grass clippings into short lengths. These clippings, which are dispersed as you mow will biodegrade quickly and provide nutrients for the lawn.

- Set mower at highest cutting height when mowing in rough ground or in tall weeds.
- Do not cut the lawn when it is wet. Wet grass tends to form clumps with the mulching action. The best time to cut your lawn is in the afternoon.
- For best results, adjust the mower cutting height so that the mower cuts off only the top third of the grass blades.
- If your lawn is overgrown it may be necessary to increase the cutting height to reduce the pushing effect and prevent overloading the motor.
- For extremely heavy mulching make narrower cuts and mow slowly.

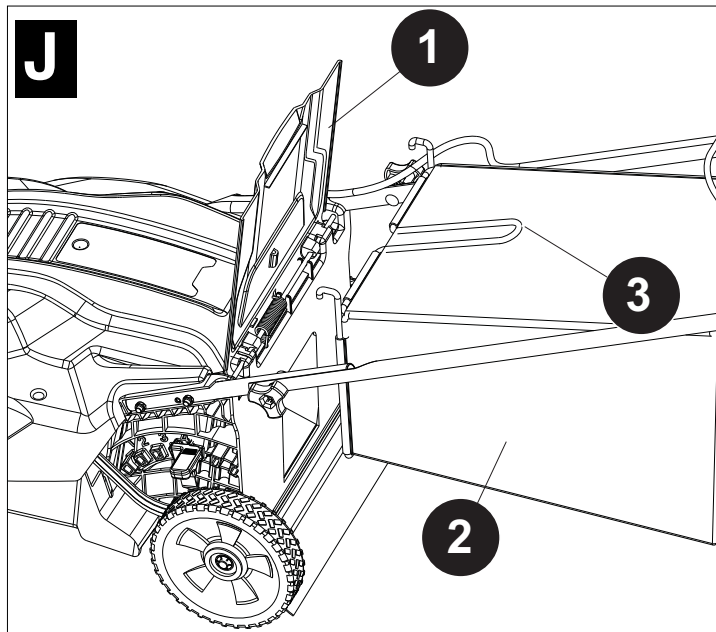


- Change your cutting pattern from week to week. Mow north to south one week and east to west the next week. This will help prevent matting and graining of the lawn.

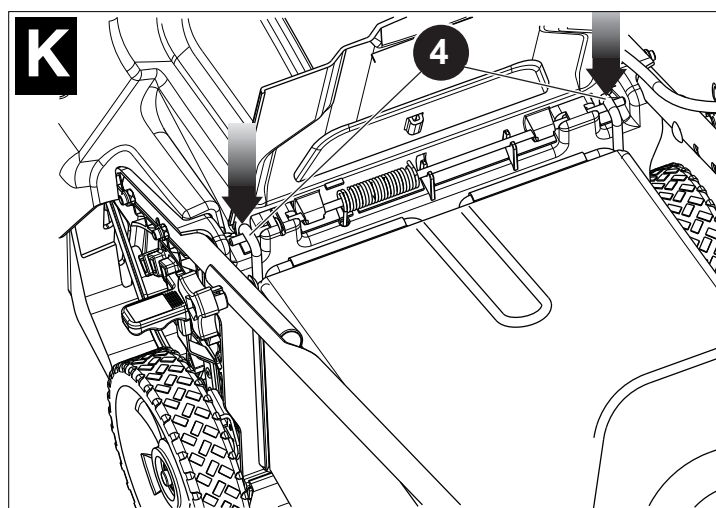
**⚠ CAUTION:** Do not attempt to unclog the blade chamber by dropping or tapping the mower on the ground. This can damage the mower.

### **INSTALLING GRASS CATCHER -FIGURE J & K**

1. Turn mower off, wait for blade to stop, and unplug mower.
2. Reaching down between the mower handles, raise the rear discharge door (J-1) to a vertical position and hold the door up. Ensure that the mulch insert (I-3) has been removed.
3. Pick up the grass catcher (J-2) by the handle (J-3) and place the grass catcher between the mower handles as shown.



4. Position the grass catcher hanger hooks (K-4) on the mower as shown in figure K. Release the rear discharge door.



### **BAGGING**

It is recommended to bag the clippings for the first few spring mowings and the last mowing of the season to discourage diseases.

1. Bagging the clipping is sometimes preferred to reduce tracking of clippings into pools, hot tubs, and homes.
2. Clippings can be added to your compost bin and used later for a natural fertilizer.

### **CLEANING AND STORAGE**

**⚠ DANGER:** Be sure the mower is unplugged and the blade has stopped.

Remove and clean any debris from the outside of the mower and inside of guard before storage. Store under cover. See **MAINTENANCE** section. Cleaning out the underside of the mower is done easiest immediately after mowing (**ENSURE MOWER IS UNPLUGGED AND BLADE HAS STOPPED**). A rag, crumpled newspaper or paper towels, can be used to wipe out caked clippings. Be careful of sharp edges of blade.

A clean mowing deck improves the efficiency of the blade and maintains high performance. When cleaning, **DO NOT** immerse mower in water or squirt it with a hose or pressure washer. Use only mild soap and damp cloth to clean the mower. Never let any liquid get inside the mower; never immerse any part of the mower into a liquid.

**NOTE:** Do not store the mower on or adjacent to fertilizers or chemicals. Such storage can cause rapid corrosion to metal parts.

### **PREVENTING CORROSION**

Fertilizers and other garden chemicals contain agents that greatly accelerate the corrosion of metals. If you use the mower in areas where fertilizers or chemicals have been used, the mower should be cleaned immediately afterwards.

Wipe all exposed parts with a damp cloth. You may lubricate only metal parts with a light petroleum based oil. Do not lubricate wheels.



## MAINTENANCE

Before each mowing session unplug the mower and ensure that the blade has stopped. Check all nuts, bolts and screws to ensure proper tightness. Be sure to check the blade fastening system.

**IMPORTANT:** To assure product SAFETY and RELIABILITY, repairs, maintenance and adjustment should be performed by authorized service centers or other qualified service organizations. Use only identical replacement parts.

Inspect and thoroughly clean your mower at the beginning of each mowing season for longer life and better performance.

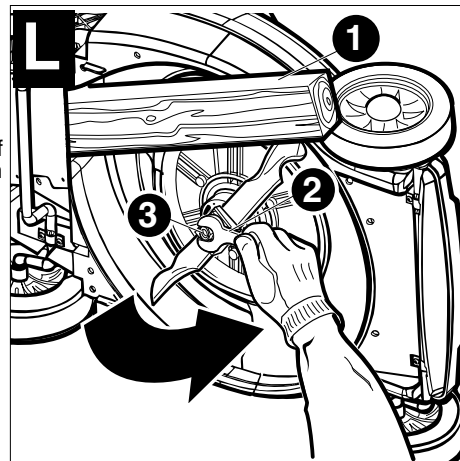
From time to time turn the mower off and wait for the blade to stop. Then unplug the power cord and turn the mower on its side. Using an object such as a stick or rag, wipe out any accumulation of grass in the blade area. Also clean out any grass or debris which may be packed around the discharge/mulch door area. Be careful of the sharp edges of the blade.

### REMOVING AND INSTALLING BLADE (FIGURE L, M, N)

1. RELEASE SWITCH LEVER TO TURN MOWER OFF, WAIT FOR THE BLADE TO STOP, AND UNPLUG MOWER.

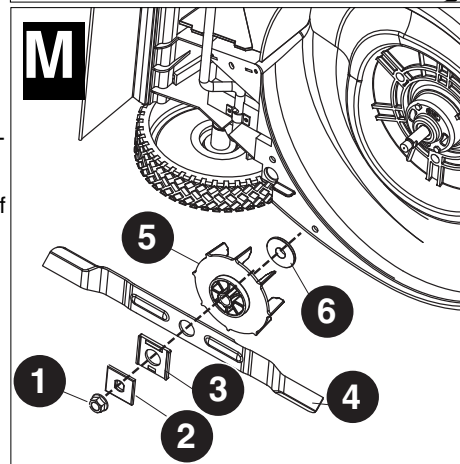
2. Cut a piece of 2x4 wood (L-1) (about 2 feet long) (610 mm) to keep blade from turning while removing flange nut.

3. Turn the mower on its side. Wear gloves and proper eye protection. Be careful of sharp edges of blade. Position wood (L-1) and remove flange nut (L-3) with 3/4 in. (19mm) wrench (L-2) as shown in figure L.

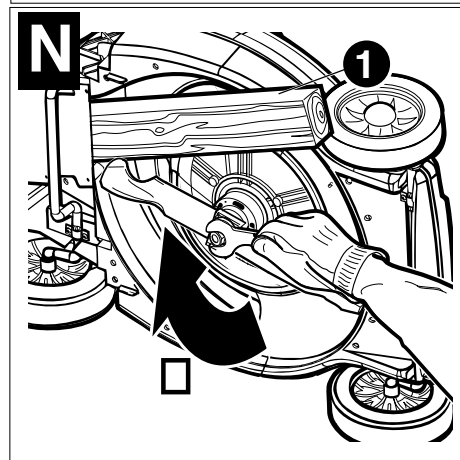


4. Remove square metal blade spacer (M-2), square plastic blade insulator (M-3) and blade (M-4) as shown in figure M. Examine blade insulator for damage and replace if necessary.

5. When replacing sharpened or new blade on shoulder of fan (M-5), make sure the "GRASS SIDE" on the blade will be facing the ground when the mower is returned to its normal upright position. After installing blade (M-4), place plastic blade insulator (M-3) on blade such that the raised lips on one side engage the edges of the blade. Then install the blade spacer (M-2) so that it sits inside the raised lips on the other side of the blade insulator. Be sure to align the flats in the hole of the blade spacer with the flats of the shaft, rotating the blade and blade insulator together as necessary.



6. Position piece of wood (N-1) to keep blade from turning as shown in figure N. Install flange nut with the flange against the blade spacer and securely tighten.



## BLADE SHARPENING - FIGURE O

KEEP BLADE SHARP FOR BEST MOWER PERFORMANCE. A DULL BLADE DOES NOT CUT GRASS CLEANLY OR MULCH PROPERLY. USE PROPER EYE PROTECTION WHILE REMOVING, SHARPENING, AND INSTALLING BLADE. ENSURE MOWER IS UNPLUGGED. Sharpening the blade twice during a mowing season is usually sufficient under normal circumstances. Sand causes the blade to dull quickly. If your lawn has sandy soil, more frequent sharpening may be required.

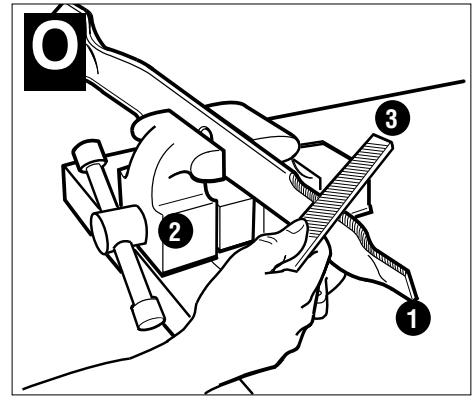
REPLACE BENT OR DAMAGED BLADE IMMEDIATELY.

### WHEN SHARPENING THE BLADE:

1. Make sure blade remains balanced.
2. Sharpen blade at the original cutting angle.
3. Sharpen cutting edges on both ends of blade, removing equal amounts of material from both ends.

### TO SHARPEN BLADE IN A VISE:

1. Ensure mower is unplugged before removing the blade.
2. Remove blade from mower. See instructions for removing and installing blade.
3. Secure blade (O-1) in a vise (O-2).
4. Wear proper eye protection and gloves and be careful not to cut yourself.
5. Carefully file the cutting edges of the blade with a fine tooth file (O-3) or sharpening stone, maintaining the original cutting edge.
6. Check balance of blade. See instructions for blade balancing.
7. Replace blade on mower and tighten securely.



## BLADE BALANCING

Check balance of blade by placing center hole in blade (P-1) over a nail or round shank screwdriver (P-2), clamped horizontally in a vise (P-3). If either end of the blade rotates downward, file that end. Blade is properly balanced when neither end drops.

## STORAGE POSITION

For more compact storing the mower can be stored in an upright position, with the handle folded over as shown in figure Q. Insure mower is unplugged before storing. Loosen the two lower knobs (Q-1) and lower the handle section (Q-2) into place. Be careful not to pinch power cord. Tighten the two lower knobs and stand the mower upright so that it rests on its handle and back wheels and the blade side is against a wall.

⚠ **CAUTION:** Pinch point. To avoid being pinched, keep fingers away from area between handles when lowering.

## LUBRICATION

No lubrication is necessary. Do not oil the wheels. They have plastic bearing surfaces which require no lubrication.

## ACCESSORIES

Recommended accessories for use with your tool are available from your local dealer or authorized service center. If you need assistance regarding accessories, please call:

**1-800-544-6986.** ⚠ **WARNING:** The use of any accessory not recommended for use with this tool could be hazardous.

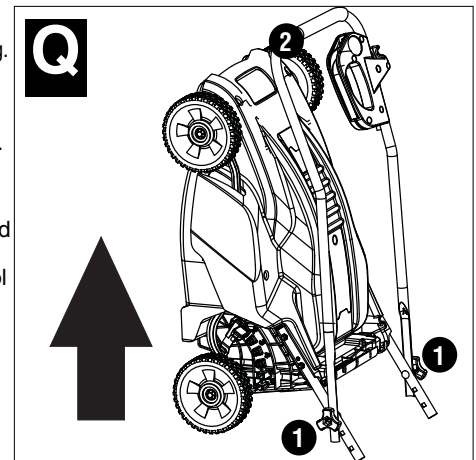
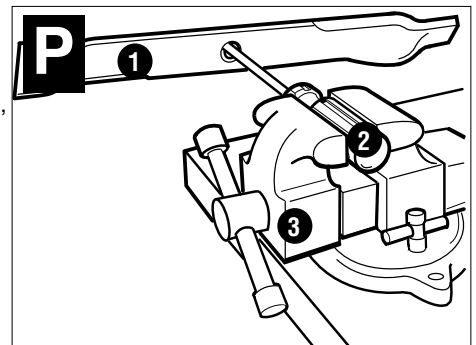
p/n 90550646 MULCH INSERT

p/n 242867-00 SIDE DISCHARGE CHUTE

p/n 242501-05 REPLACEMENT GRASS BAG

MB-075 REPLACEMENT BLADE FOR TYPE 1 MODELS ONLY

MB-1800 REPLACEMENT BLADE FOR ALL EXCEPT TYPE 1 MODELS



## SERVICE INFORMATION

All Black & Decker Service Centers are staffed with trained personnel to provide customers with efficient and reliable power tool service. Whether you need technical advice, repair, or genuine factory replacement parts, contact the Black & Decker location nearest you. To find your local service location, refer to the yellow page directory under "Tools—Electric" or call: **1-800-544-6986** or visit [www.blackanddecker.com](http://www.blackanddecker.com)

## FULL TWO-YEAR HOME USE WARRANTY

Black & Decker (U.S.) Inc. warrants this product for two years against any defects in material or workmanship. The defective product will be replaced or repaired at no charge in either of two ways.

The first, which will result in exchanges only, is to return the product to the retailer from whom it was purchased (provided that the store is a participating retailer). Returns should be made within the time period of the retailer's policy for exchanges (usually 30 to 90 days after the sale). Proof of purchase may be required. Please check with the retailer for their specific return policy regarding returns that are beyond the time set for exchanges.

The second option is to take or send the product (prepaid) to a Black & Decker owned or authorized Service Center for repair or replacement at our option. Proof of purchase may be required. Black & Decker owned and authorized Service Centers are listed under "Tools-Electric" in the yellow pages of the phone directory.

This warranty does not apply to accessories. This warranty gives you specific legal rights and you may have other rights which vary from state to state or province to province. Should you have any questions, contact the manager of your nearest Black & Decker Service Center. This product is not intended for commercial use.

**FREE WARNING LABEL REPLACEMENT:** If your warning labels become illegible or are missing, call **1-800-544-6986** for a free replacement.

## DECK WARRANTY

Lifetime Warranty for DECK only against any defects in material or workmanship.

## TROUBLESHOOTING

PROBLEM	CORRECTIVE ACTION
-Motor will not start	<ul style="list-style-type: none"><li>- Check fuse or circuit breaker to ensure power is to outlet</li><li>- Check extension cord with another electrical device to ensure cord is good.</li><li>- Call customer service representative 1-800-544-6986</li></ul>
-Motor keeps slowing down	<ul style="list-style-type: none"><li>- The underside of the mower may be plugged with clippings. Turn mower off, wait for blade to stop, UNPLUG mower and clean out.</li><li>- Grass may be too tall, try pushing at a slower pace, or raise cutting height.</li><li>- Check blade sharpness and balance, and correct if required.</li><li>- If mulching, there is too much grass. Turn mower off, wait for blade to stop, UNPLUG mower and raise cutting height.</li></ul>
-Runs but poor cut	<ul style="list-style-type: none"><li>- The blade may be dull. Turn mower off, wait for blade to stop, UNPLUG mower and carefully check for sharpness.</li><li>- Blade may be damaged (bent or badly chipped). Turn mower off, wait for blade to stop, UNPLUG mower and replace if necessary.</li><li>- Grass may be too high or thick for cutting height. Turn mower off, wait for blade to stop, UNPLUG mower and raise cutting height.</li></ul>
-Excess vibration	<ul style="list-style-type: none"><li>- Blade may be loose. Turn mower off, wait for blade to stop, UNPLUG mower then check blade for tightness.</li><li>- Blade may be bent or badly chipped. Turn mower off, wait for blade to stop, UNPLUG mower and replace if necessary.</li><li>- Blade may be unbalanced. Refer to blade balancing section of instruction manual.</li></ul>
-Mower is hard to push	<ul style="list-style-type: none"><li>- Mower is too close to the ground with the amount of grass being cut. Turn mower off, wait for blade to stop, UNPLUG mower and raise cutting height.</li><li>- Turn mower off, wait for blade to stop and UNPLUG mower and check wheels and axles to ensure all are rotating easily.</li></ul>
-Mower leaves clumps	<ul style="list-style-type: none"><li>- Turn mower off, wait for blade to stop, UNPLUG mower and raise cutting height.</li><li>- Turn mower off, wait for blade to stop, UNPLUG mower and carefully check blade for sharpness.</li><li>- Grass may be too wet to cut. Wait for grass to dry.</li></ul>
-Discharge/Bag plugging	<ul style="list-style-type: none"><li>- Grass may be too wet, try again when grass is dry.</li><li>- There is too much grass. Turn mower off, wait for blade to stop, UNPLUG mower and raise cutting height.</li></ul>

## HERE ARE SOME HELPFUL HINTS TO GET THE MOST FROM YOUR BLACK & DECKER MOWER...AND KEEP YOUR LAWN LOOKING BEAUTIFUL

1. Lawns should first be mowed in the spring when the grass is about 2-1/2 (63.5mm) to 3 (76.2mm) inches high. Mowing too early restricts the grass root systems which renew themselves every spring. New grass should be clipped when it is about 2-1/2 (63.5mm) inches high.
2. Do not remove too much grass blade surface at one time...never more than 1/3 of the leaf height during each cutting. Cutting too close "shocks" sensitive grass blades, resulting in a shallow root system and thus making it more difficult for your lawn to reach water in the soil.
3. Lawn care experts say that excessively close cutting is responsible for much of the difficulty experienced on many lawns. The depth and strength of the roots of grass are almost exactly proportional to its growth. Grasses of mature lawns often are seriously injured when mowed shorter than 1-1/2 (38.1mm) inches, and a height of 1-1/2 (38.1mm) to 2 (50.8mm) inches is preferred on large lawns.
4. Mow your lawn when it is dry to avoid clumping of wet grass. If you have a choice, late afternoon is the ideal time for mowing, not only because the grass is dry, but also because the sensitive new cut area of the grass will not be exposed to intense sunlight.
5. Keep the mowing blade sharp for a nice clean cut. This improves the mower's performance and enhances the look of your lawn. A dull blade shatters and bruises the tips of the grass. This impairs the healthy growth of your lawn and increases susceptibility to turf diseases. If the grass tips are bruised it causes a brownish colour and gives your lawn an unhealthy appearance. A dull blade may also pull up young seedlings.
6. Try to mow your lawn at the same (consistent) cutting height. While there are times when you should vary the cutting height with the changing seasons, a consistent cutting height produces a healthier, lovelier lawn with generally fewer weeds. Mow more frequently during periods of fast growth. Frequent cutting ensures that the lower, less attractive portion of the grass will not show.
7. If your lawn has grown too long, (a vacation, for example, may interrupt your cutting schedule) mow at a cutting height one or two positions higher than normal. A second pass at "normal" cutting height a few days later will put your lawn back on schedule. Changing the cutting height is a simple matter with Black & Decker's One Touch Wheel Height Adjustment, which simultaneously adjusts all four wheels at once.
8. During the spring and fall, (or after an interruption to the cutting schedule) the grass will be longer and thicker. If the motor continually slows down while cutting, try setting the wheels for a higher cutting height. Excessive motor loading can result in uneven cutting, and can cause the house circuit breaker to trip, which stops the motor.
9. Three good ideas to enhance your lawn's appearance: Vary the mowing direction frequently; mow horizontally on hillsides; (this is also a good safety practice) and do not forget to overlap the mowing path on each pass.
10. Always mow grass so that clippings are discharged onto cut lawn. This will keep your lawn looking fresh by avoiding "Cut Grass" build-up which will eventually brown and appear ugly.

Imported by  
Black & Decker (U.S.) Inc.,  
701 E. Joppa Rd.  
Towson, MD 21286 U.S.A.



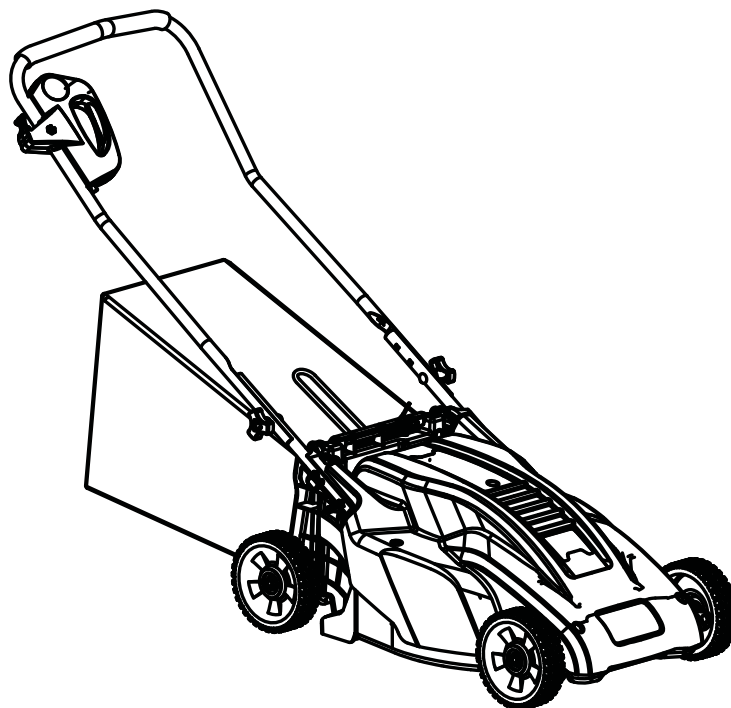
See 'Tools-  
Electric'  
- Yellow Pages -  
for Service &  
Sales





**Tondeuse déchiqueteuse avec sac arrière  
de 46 cm (18 po)**

## **GUIDE D'UTILISATION**



**Modèle  
MM1800**

**Merci d'avoir choisi Black & Decker! Consulter le site Web  
[www.BlackandDecker.com/NewOwner](http://www.BlackandDecker.com/NewOwner) pour enregistrer votre nouveau produit.**

### **À LIRE AVANT DE RETOURNER CE PRODUIT POUR QUELQUE RAISON QUE CE SOIT :**

Si des questions ou des problèmes surgissent après l'achat d'un produit Black & Decker, consulter le site Web

**[HTTP://WWW.BLACKANDDECKER.COM/INSTANTANSWERS](http://www.blackanddecker.com/instantanswers)**

pour obtenir des réponses instantanément 24 heures par jour.

Si la réponse est introuvable ou en l'absence d'accès à Internet, composer le 1-800-544-6986 de 8 h à 17 h HNE, du lundi au vendredi, pour parler avec un agent. Prière d'avoir le numéro de catalogue sous la main lors de l'appel.

### **VOICI DES RENSEIGNEMENTS IMPORTANTS QU'IL VOUS FAUT CONNAÎTRE :**

- Ne pas utiliser la tondeuse si la poignée n'est pas bloquée en position.
- Pour une meilleure coupe, maintenir la lame aiguisée et équilibrée.
- Examiner et nettoyer soigneusement la tondeuse après chaque utilisation (du gazon adhérent au châssis peut réduire le rendement).
- S'assurer que la surface à tondre est à l'écart de toute personne ou animal de compagnie avant de démarrer la tondeuse et en cours d'utilisation.

**CONSERVER CE MANUEL POUR UN USAGE ULTÉRIEUR.**

## ⚠ **LIGNES DIRECTRICES EN MATIÈRE DE SÉCURITÉ - DÉFINITIONS**

Il est important de lire et de comprendre ce mode d'emploi. Les informations qu'il contient concernent VOTRE SÉCURITÉ et visent à ÉVITER TOUT PROBLÈME. Les symboles ci-dessous servent à aider à reconnaître cette information.

⚠ **DANGER** : indique une situation dangereuse imminente qui, si elle n'est pas évitée, entraînera la mort ou des blessures graves.

⚠ **AVERTISSEMENT** : indique une situation potentiellement dangereuse qui, si elle n'est pas évitée, pourrait entraîner la mort ou des blessures graves.

⚠ **MISE EN GARDE** : indique une situation potentiellement dangereuse qui, si elle n'est pas évitée, pourrait entraîner des blessures légères ou modérées.

**MISE EN GARDE** : utilisé sans le symbole d'alerte à la sécurité, indique une situation potentiellement dangereuse qui, si elle n'est pas évitée, pourrait entraîner des dommages matériels.

Les explications suivantes adressent les risques posés par la tondeuse.



1. L'utilisateur doit lire et comprendre toutes les directives contenues dans ce manuel.



2. Pour réduire tout risque de blessure grave, ne pas tondre parallèlement à une pente. Tondre toujours perpendiculairement à une pente.



3. Pour éliminer tout risque de blesser quelqu'un, éloigner toute personne ou animal de la tondeuse pendant son utilisation.



4. Des lames rotatives risquent de provoquer de graves blessures. Tenir les mains et les pieds éloignés en tout temps du châssis et de l'ouverture de décharge de la tondeuse. Toujours s'assurer que la lame s'est arrêtée (attendre que la lame ait cessé de tourner, soit environ 3 secondes) après avoir relâché la manette de l'interrupteur et débranché l'appareil avant de retirer et de remettre le sac à herbe, de nettoyer, de réparer, de transporter ou de soulever la tondeuse.



5. Les objets percuteurs par la lame de la tondeuse peuvent provoquer de graves blessures. Se tenir derrière la poignée lorsque le moteur tourne. Toujours s'assurer que les personnes et les animaux de compagnie sont loin de la décharge de la tondeuse lors de son fonctionnement. Toujours inspecter la surface à tondre avant de commencer et retirer tout objet qui pourrait être projeté par la lame. Relâcher la manette de l'interrupteur pour éteindre la tondeuse et attendre que la lame cesse de tourner (environ 3 secondes) avant de traverser un trottoir, une route, un patio et une entrée de garage.

## ⚠ **AVERTISSEMENT : AVERTISSEMENTS DE SÉCURITÉ ET DIRECTIVES IMPORTANTES**

⚠ **AVERTISSEMENT** : si des outils électriques de jardinage sont utilisés, des précautions de base en matière de sécurité doivent être suivies afin de réduire le risque d'incendie, de choc électrique et de blessure corporelle, notamment les suivantes.

### **LIRE TOUTES CES DIRECTIVES**

#### **RÉDUCTION DES RISQUES ET DES BLESSURES :**

- Avant tout usage, s'assurer que tout utilisateur de cet outil lise et comprenne toutes les consignes de sécurité ainsi que toute autre information comprise dans le présent mode d'emploi.
- Conserver ces directives et les passer fréquemment en revue avant d'utiliser l'appareil ou de donner des directives aux autres.

#### ⚠ **DANGER MESURES DE SÉCURITÉ IMPORTANTES POUR TONDEUSE À CONDUCTEUR ACCOMPAGNANT**

Cette tondeuse à gazon peut amputer les bras et les jambes et projeter des objets. Le non-respect des directives de sécurité ci-dessous peut provoquer de sérieuses blessures ou un décès.

#### **UTILISATION GÉNÉRALE**

1. Lire, comprendre et respecter les directives figurant sur la tondeuse et dans le mode d'emploi avant de commencer.
2. Ne pas approcher les mains ou les pieds de la tondeuse ou de sa partie inférieure. Toujours se tenir à l'écart de l'ouverture d'éjection.
3. Ne permettre qu'à des adultes responsables, familiers de ces directives, d'utiliser cette tondeuse.
4. Débarrasser la zone à tondre des objets tels les pierres, les tiges, les fils, les jouets, les os, etc., qui pourraient être projetés par la lame. Les objets heurtés par la lame peuvent causer de sévères blessures à des personnes. Se tenir derrière la poignée lorsque le moteur tourne.
5. S'assurer qu'il n'y a personne à proximité de la tondeuse avant l'utilisation. Tenir les curieux et les animaux à une distance sûre. Arrêter la tondeuse si quelqu'un pénètre dans la zone de tonte.
6. Ne pas utiliser l'appareil avec les pieds nus ou des sandales. Toujours mettre des chaussures épaisses.
7. Ne pas tirer la tondeuse vers l'arrière sauf en cas d'absolue nécessité. Regarder vers le bas et derrière soi avant et pendant tout déplacement en marche arrière.
8. Ne jamais diriger l'éjection en direction d'une personne. Éviter d'éjecter les substances contre un mur ou un obstacle. Les substances pourraient ricocher vers l'opérateur. Dégager la manette de l'interrupteur pour éteindre la tondeuse et arrêter la lame en traversant une zone graveleuse ou en basculant la poignée.
9. Ne pas utiliser la tondeuse sans installer le collecteur d'herbe, la protection de l'éjecteur, la protection arrière ou toute autre protection de sécurité en place et qui fonctionne. Vérifier régulièrement toutes les protections et tous les dispositifs de sûreté pour s'assurer qu'ils sont en bon état de fonctionnement afin d'assurer un fonctionnement adéquat selon sa fonction prévue. Remplacer toute protection ou autre dispositif de sûreté endommagé avant l'utilisation.
10. Ne jamais laisser une tondeuse en marche sans surveillance.
11. Toujours dégager la manette de commutation pour couper le moteur, attendre que la lame s'immobilise complètement et débrancher la tondeuse avant de nettoyer l'appareil, enlever le collecteur d'herbes, déboucher la protection de l'éjecteur avant de laisser la tondeuse ou avant tout réglage, dépannage ou vérification.

12. N'utiliser la tondeuse qu'à la lumière du jour ou avec un bon éclairage artificiel lorsque les objets situés dans le champ de la lame sont clairement visibles à partir du point d'opération de la tondeuse.
13. Ne pas utiliser la tondeuse sous l'emprise de l'alcool ou de drogues ou en cas de fatigue ou de maladie. Demeurer vigilant, surveiller le travail effectué, et faire preuve de jugement.
14. Éviter les conditions environnementales dangereuses. Ne jamais utiliser la tondeuse dans des endroits humides ou mouillés et ne jamais l'utiliser sous la pluie. Toujours s'assurer d'avoir le pied sûr; marcher; ne jamais courir.
15. Désengager le système d'entraînement, le cas échéant, avant de démarrer le moteur.
16. Si la tondeuse se met à vibrer de façon anormale, dégager la manette de l'interrupteur, attendre que la lame s'immobilise et débrancher la tondeuse, puis en rechercher immédiatement la raison. Une vibration signale généralement un problème.
17. Toujours mettre une protection respiratoire et pour les yeux durant l'utilisation de la tondeuse.
18. L'utilisation de tout accessoire ou pièce non recommandés avec cette tondeuse s'avérer dangereuse. N'utiliser que les accessoires approuvés par Black & Decker.
19. Ne jamais trop tendre les bras en utilisant la tondeuse. Toujours s'assurer de conserver son équilibre à tout moment au cours de l'utilisation de la tondeuse.

## UTILISATION SUR UNE PENTE

Les pentes sont un facteur majeur de glissades et de chutes, qui peuvent entraîner de graves blessures. L'utilisation sur toutes les pentes demande une attention particulière. Ne pas tondre une pente sur laquelle on ne se sent pas à l'aise.

1. Tondre les pentes en diagonale, jamais de haut en bas. Être extrêmement prudent lors des virages sur les pentes.
2. Faire attention aux trous, ornières, rebonds, pierres ou autres objets cachés. Une surface inégale peut provoquer une glissade ou une chute. Une herbe haute peut cacher des obstacles.
3. Ne pas tondre une herbe mouillée ou des pentes excessivement escarpées. Un équilibre instable peut provoquer une glissade ou une chute.
4. Ne pas tondre près des falaises, des fossés ou des talus. Il y a un risque de perdre sa stabilité ou son équilibre.

## ENFANTS

Des incidents tragiques peuvent survenir si l'opérateur n'est pas vigilant en présence d'enfants. Les enfants sont parfois attirés par la tondeuse et l'opération de tonte. Ne jamais supposer qu'un enfant est resté au dernier endroit où il a été vu.

1. Tenir les enfants à l'écart de la zone de tonte et sous la surveillance attentive d'un adulte responsable autre que l'opérateur.
2. Rester vigilant et arrêter la tondeuse si un enfant pénètre dans la zone.
3. Ne jamais laisser un enfant utiliser la machine.
4. Être très prudent aux environs des virages, arbustes, arbres ou autres objets qui peuvent vous empêcher de voir un enfant.

## RÉVISION GÉNÉRALE

1. Ne jamais utiliser la tondeuse dans un endroit clos.
2. Maintenir tous les écrous et les boulons serrés pour s'assurer que le matériel est en bon état de fonctionnement.
3. Ne jamais altérer le dispositif de sécurité. S'assurer régulièrement de son fonctionnement adéquat.
4. Éviter l'accumulation d'herbe, de feuilles et d'autres débris sur la tondeuse. Laisser la tondeuse refroidir avant de la stocker.
5. En cas de choc contre un obstacle, dégager la manette de l'interrupteur pour éteindre la tondeuse, attendre que la lame s'immobilise puis débrancher et examiner la tondeuse. Réparer tout dommage avant de démarrer et d'utiliser la tondeuse.
6. Ne jamais effectuer de réglages ou de réparations lorsque le moteur est en marche ni lorsque la tondeuse est branchée.
7. Toujours débrancher la tondeuse électrique avant les réglages, le nettoyage, le dépannage, l'inspection, le transport, le stockage, ou avant de la laisser.
8. Contrôler régulièrement les composants du collecteur d'herbes et la protection de l'éjecteur et en cas de besoin n'utiliser que des pièces de rechanges recommandées par Black & Decker.
9. Les lames de tondeuses sont tranchantes. Recouvrir la lame ou mettre des gants, et être très prudent lors de l'entretien.
10. Prendre soin ou remplacer les étiquettes et les directives de sécurité, au besoin.

## ⚠ AVERTISSEMENT : AVERTISSEMENTS ET DIRECTIVES DE SÉCURITÉ GÉNÉRALE POUR TOUS LES OUTILS

- **CET OUTIL PEUT ÊTRE DANGEREUX.** Respecter tous les avertissements et directives de sécurité contenues dans ce manuel. L'opérateur est responsable du respect des avertissements et directives de sécurité contenus dans ce manuel et indiqués sur la machine. Restreindre l'usage de cette tondeuse à des personnes capables de lire, de comprendre et de respecter les avertissements et directives de sécurité contenus dans ce manuel et indiqués sur la machine.
- **RANGER LA TONDEUSE INUTILISÉE À L'INTÉRIEUR.** Lorsqu'elle n'est pas utilisée, la tondeuse doit être rangée à l'intérieur dans un endroit sec et verrouillé - hors de la portée des enfants.
- **NE PAS FORCER LA TONDEUSE.** Elle fera un meilleur travail à la vitesse pour laquelle elle a été conçue, et ce, sans risque de blessure.
- **UTILISER L'APPAREIL ÉLECTRIQUE APPROPRIÉ.** Ne pas utiliser la tondeuse pour une autre application que celle pour laquelle elle a été prévue.
- **S'HABILLER DE MANIÈRE APPROPRIÉE.** Ne pas porter de vêtements amples ni de bijoux. Ils peuvent s'enchevêtrer dans les pièces mobiles. Des gants de caoutchouc, des pantalons longs et des chaussures antidérapantes sont recommandés pour les travaux à l'extérieur.
- **UTILISER DES LUNETTES DE SÉCURITÉ ET TOUT AUTRE ÉQUIPEMENT DE SÉCURITÉ.** Utiliser des lunettes de sécurité munies de protecteurs latéraux conformes aux normes en matière de sécurité et, le cas échéant, un protecteur facial. Utiliser également un masque facial ou anti-poussières si l'opération génère de la poussière. Ces directives s'appliquent à toutes les personnes dans la zone de travail. Utiliser aussi un casque de sécurité, des protecteurs auditifs, des gants, des chaussures sécuritaires et des systèmes de dépoussiérage lorsque prévus ou exigés. Des lunettes de sécurité et accessoires similaires sont disponibles pour l'achat chez votre détaillant ou à votre centre de réparation Black & Decker.
- **NE PAS UTILISER ABUSIVEMENT LE CORDON.** Ne jamais transporter la tondeuse par son cordon ou tirer sur ce dernier pour le débrancher du réceptacle. Tenir le cordon éloigné de la chaleur, de l'huile et des bords tranchants.
- **PRENDRE SOIN DE LA TONDEUSE.** Maintenir les arêtes de coupe tranchantes et propres afin d'assurer la meilleure performance et pour réduire le risque de blessures. Suivre les consignes de graissage et de changement d'accessoires. Inspecter régulièrement la tondeuse, en cas de dommages, la faire réparer par un centre de réparation autorisé. Inspecter régulièrement les rallonges électriques et les remplacer si endommagées. Maintenir les poignées sèches, propres et exemptes d'huile et de graisse.
- **ÉVITER UN RISQUE DE DÉMARRAGE ACCIDENTEL.** Ne pas transporter l'appareil électrique branché alors que le doigt repose sur l'interrupteur. S'assurer que l'interrupteur est à la position arrêt au moment de brancher l'outil.
- **AVANT UTILISATION,** toujours effectuer un examen visuel pour s'assurer que la lame, les attaches de la lame et le module de coupe ne sont pas usés ou endommagés. Réparer ou remplacer les lames et les attaches endommagées en même temps, pour maintenir l'équilibre. Examiner le cordon de la tondeuse - s'assurer qu'elle est en bon état. L'isolation du cordon doit être intacte, sans fissures ni brèches.
- **POUR RÉDUIRE LE RISQUE DE CHOCS ÉLECTRIQUES,** cette tondeuse comporte des lames à fiches polarisées (une lame est plus large que l'autre) et exigera l'utilisation d'une rallonge polarisée. La fiche de la tondeuse ne se branchera que d'une seule façon dans une rallonge polarisée.

Si la fiche ne s'insère pas totalement dans la rallonge, la renverser. Si la prise ne s'insère toujours pas, rechercher une rallonge polarisée appropriée. Une rallonge polarisée exigera l'utilisation d'une prise murale polarisée. La fiche de la rallonge ne se branchera que d'une seule façon dans une prise murale polarisée. Si la fiche ne s'insère pas totalement dans la prise murale, renversez-la. Si elle ne s'insère toujours pas dans la prise, demandez à un électricien compétent d'installer une prise murale polarisée appropriée. Ne modifiez en aucune façon la fiche de l'appareil, la prise ou la fiche de la rallonge.


- **RALLONGES.** S'assurer que la rallonge est en bon état. L'isolation du cordon doit être intacte, sans fissures ni brèches. Les prises de connexion doivent être intactes. Lorsqu'une rallonge est utilisée, s'assurer d'en utiliser une de calibre suffisant pour assurer le transport du courant nécessaire au fonctionnement de l'appareil. Un cordon de calibre inférieur causera une chute de tension de ligne et donc une perte de puissance et une surchauffe, qui peuvent réduire la durée de vie du moteur. Le tableau indique le calibre approprié à utiliser selon la longueur du cordon et l'intensité nominale de la plaque signalétique. En cas de doute, utiliser le calibre supérieur suivant. Plus le numéro de calibre est petit, plus le cordon est lourd.

Calibre minimal des cordons de rallonge					
Tension	Longueur totale du cordon en pieds				
120V	0-25	26-50	51-100	101-150	
	(0-7,6m)	(7,6-15,2m)	(15,2-30,4m)	(30,4-45,7m)	
240V	0-50	51-100	101-200	201-300	
	(0-15,2m)	(15,2-30,4m)	(30,4-60,9m)	(60,9-91,4m)	
Intensité (A)		Calibre moyen des fils (AWG)			
Au moins	Au plus				
0 -	6	18	16	16	14
6 -	10	18	16	14	12
10 -	12	16	16	14	12
12 -	16	14	12	Non recommandé	

-  indique que la tondeuse est « À DOUBLE ISOLATION ».
- **AVERTISSEMENT D'UTILISATION DE RALLONGES EN EXTÉRIEUR :** Afin de réduire le risque de choc électrique, utiliser cet outil uniquement avec une rallonge destinée à une utilisation à l'extérieur, comme les rallonges SW-A, SOW-A, STW-A, STOW-A, SJW-A, SJOW-A, SJTW-A ou SJTOW-A.
- **UN DISJONCTEUR DE FUITE DE TERRE** doit être installé pour protéger les circuits ou prises utilisés pour cette tondeuse. Des prises avec disjoncteur de fuite de terre intégré sont aussi disponibles et peuvent être utilisées comme mesure de sécurité.
- **VÉRIFIER QUE LES PIÈCES NE SONT PAS ENDOMMAGÉES.** Si un dispositif de protection, ou toute autre pièce, est endommagé, il faut faire examiner soigneusement l'outil, avant toute utilisation ultérieure, afin d'assurer un fonctionnement adéquat selon sa fonction prévue. Vérifier l'alignement des pièces mobiles, la présence de grippage des pièces mobiles et de rupture de pièces, l'assemblage et tout autre problème pouvant nuire au fonctionnement de l'outil. Un dispositif de protection endommagé, ou toute autre pièce endommagée, doit être réparé ou remplacé adéquatement par un centre de réparation autorisé à moins d'un avis contraire indiqué dans le présent mode d'emploi.
- **RÉPARATIONS ET ENTRETIEN.** Les réparations, l'entretien et tout réglage non précisés dans ce mode d'emploi devraient être effectués à un centre de réparation autorisé Black & Decker ou à tout autre centre de réparation professionnel. Utiliser toujours des pièces de rechange identiques.

#### **DANGER : AVERTISSEMENTS SUPPLÉMENTAIRES POUR TONDEUSES**

- **TOUJOURS** tenir fermement la poignée à deux mains durant l'utilisation de la tondeuse.
- **NE JAMAIS** mettre d'écouteur de radio ou de musique pendant l'utilisation de la tondeuse.
- **ATTACHER** les cheveux longs.
- **NE JAMAIS** effectuer un réglage de la hauteur de la roue alors que le moteur est en marche ou lorsque la tondeuse est branchée.
- **SI LA TONDEUSE** s'accroche, dégager la manette de l'interrupteur pour éteindre la tondeuse, attendre l'immobilisation de la lame et débrancher le cordon avant de désenraser la goulotte ou d'enlever des substances de dessous le châssis.
- **TENIR LES MAINS** et les pieds éloignés de la zone de coupe.
- **MAINTENIR LES LAMES** affûtées. Toujours mettre des gants de protection en manipulant la lame de la tondeuse.
- **EN CAS** d'utilisation d'un collecteur d'herbe, le vérifier régulièrement pour détecter l'usure et les dommages. En cas d'usure excessive, remplacer avec un nouveau sac pour votre sécurité.
- **FAIRE TRÈS ATTENTION** au cours d'une marche arrière ou en tirant la tondeuse vers vous.

 **AVERTISSEMENT :** certaines poussières produites par ce produit contiennent des produits chimiques identifiés par l'État de Californie comme pouvant causer le cancer, des anomalies congénitales et d'autres dangers pour la reproduction. Voici quelques exemples de ces produits chimiques :

- composés présents dans les engrais
- composés présents dans les insecticides, herbicides et pesticides
- arsenic et chrome provenant de bois traité chimiquement

Afin de réduire votre exposition à ces produits chimiques, utiliser un équipement de sécurité approuvé comme un masque anti-poussières spécialement conçu pour filtrer les particules microscopiques.

### **CONSERVER CES DIRECTIVES**

## PRÉPARATION

SE REPORTER AUX DIAGRAMMES (A, B, C...) ET AUX NUMÉROS D'ARTICLE (1, 2, 3...) TELS QU'INDIQUÉS DANS CE MODE D'EMPLOI. PAR EXEMPLE, A-1 IDENTIFIE L'ARTICLE 1 DE L'ILLUSTRATION A.

### DÉBALLAGE (FIGURES A1, A2)

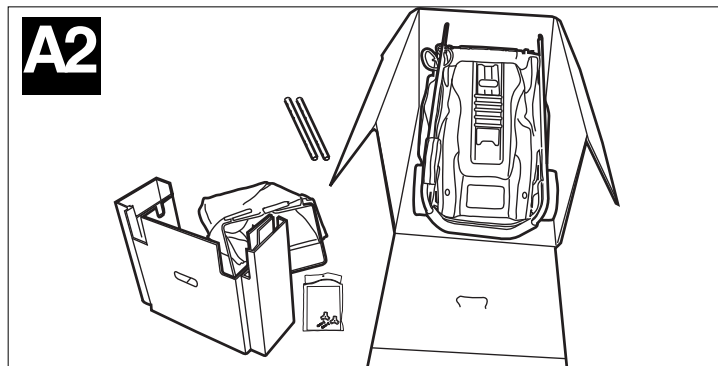
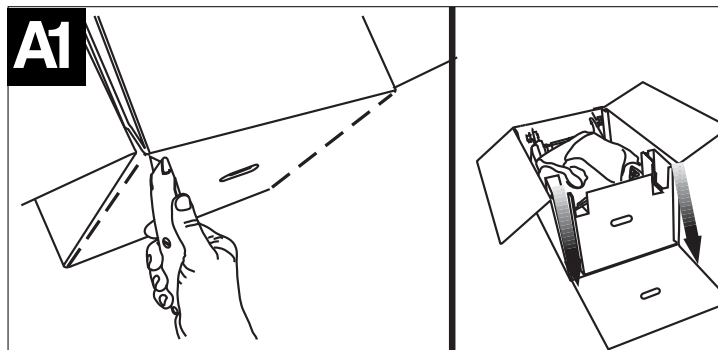
#### ÉTAPE 1 :

Ouvrir le dessus de la boîte. Couper prudemment les coins de la boîte du côté opposé à la poignée, puis rabattre comme dans l'illustration.

**⚠ AVERTISSEMENT : Lame tranchante.** Éloigner les parties du corps de la lame.

#### ÉTAPE 2 :

Une fois la boîte coupée et ouverte à son extrémité, retirer le matériau de bourrage, les tubes de la poignée, le sac d'accessoires et le collecteur d'herbe, puis sortir la tondeuse en la poussant.



### DIRECTIVES DE MONTAGE AVANT DE MONTER LA TONDEUSE, VÉRIFIER QUE LA BOÎTE D'EXPÉDITION CONTIENT CE QUI SUIT.

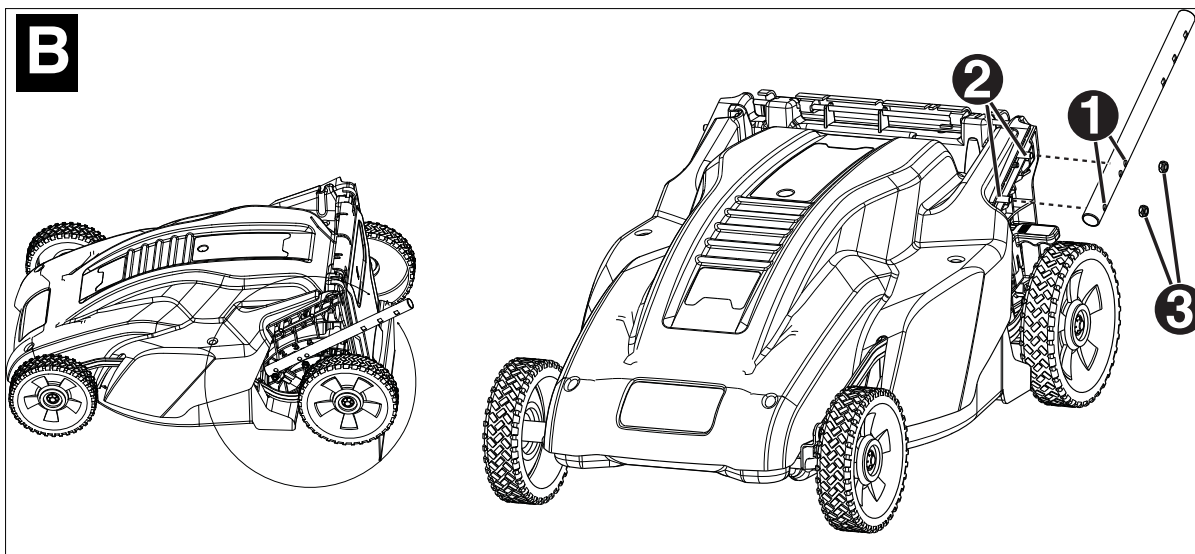
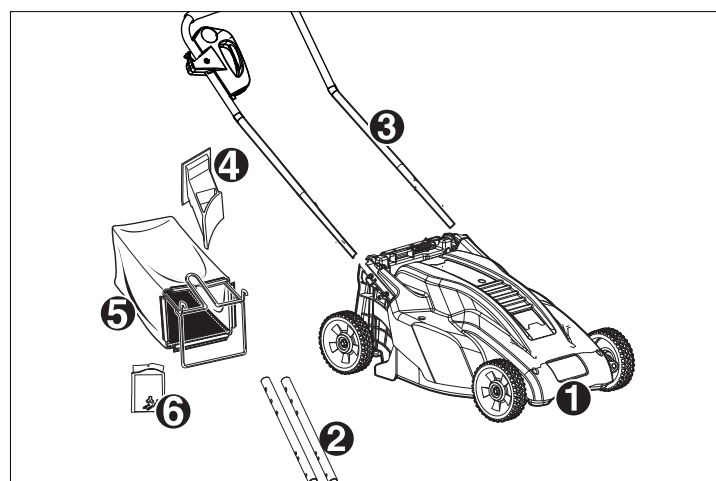
1. Tondeuse
2. Sections de la poignée inférieure
3. Poignée supérieure
4. Pièce de déchiquetage  
(à l'intérieur de la tondeuse, sous le panneau arrière)
5. Collecteur d'herbe et cadre pour collecteur d'herbe
6. Sac d'accessoires

Outils requis pour l'assemblage :

Clé à ouverture variable ou de 13 mm (1/2 po)

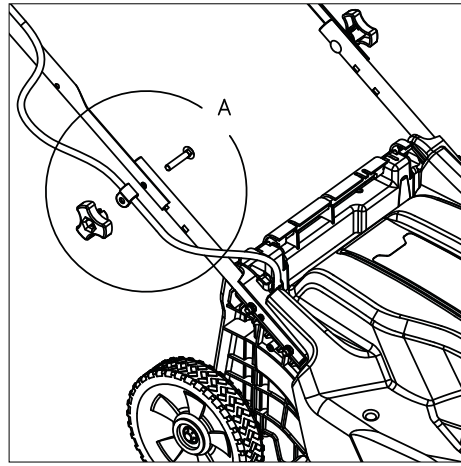
### ENSEMBLE DE POIGNÉE - (FIGURE B)

1. Aligner les orifices ronds pratiqués dans la section de la poignée inférieure (B1) sur les deux goujons filetés (B2) logés dans la paroi latérale du châssis.
2. Pousser entièrement la section de la poignée sur les goujons.
3. Enfiler deux contre-écrous (B3), puis les serrer à l'aide d'une clé de 13 mm (1/2 po). Répéter de l'autre côté.

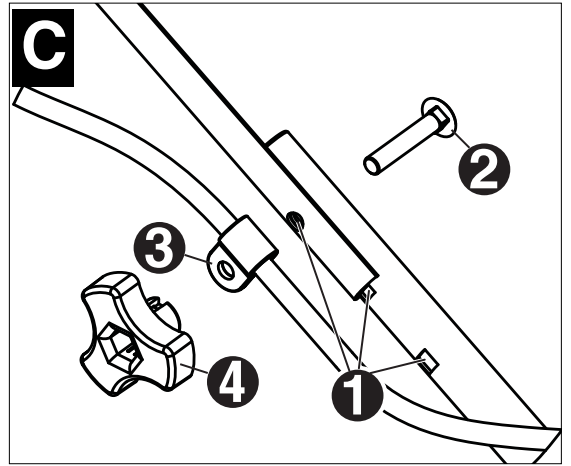




4. Faire coulisser la poignée supérieure monopièce dans l'une des trois positions de réglage (C1). Aligner les trous des poignées supérieure et inférieure. **REMARQUE : Régler maintenant la position de la poignée selon la taille de l'utilisateur. Les utilisateurs de grande taille souhaiteront peut-être assembler la poignée comme le montre la figure C, alors que les utilisateurs de petite taille préféreront peut-être régler la poignée supérieure à l'une des deux positions de réglage restantes.**



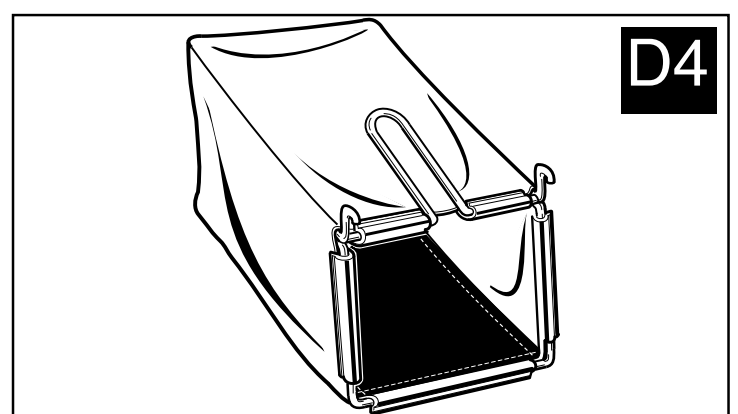
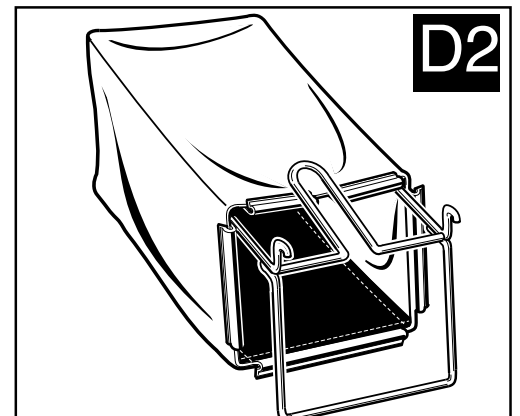
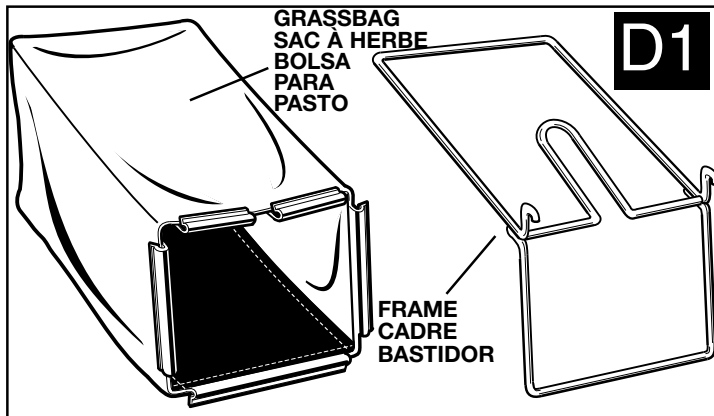
5. Insérer le boulon de carrosserie (C2) de manière à ce que la tête du boulon repose entièrement sur la poignée.
6. Aligner le dispositif de retenue du cordon (C3) sur le boulon de carrosserie.



Poser le bouton (C4) et bien le serrer. Toujours placer les boutons vers l'extérieur des poignées pour éviter toute interférence avec le panneau arrière et le collecteur d'herbe. Insérer un boulon de carrosserie, puis poser le bouton de l'autre côté.

### MONTAGE DU COLLECTEUR D'HERBE (ILLUSTRATIONS D1, D2, D3 ET D4)

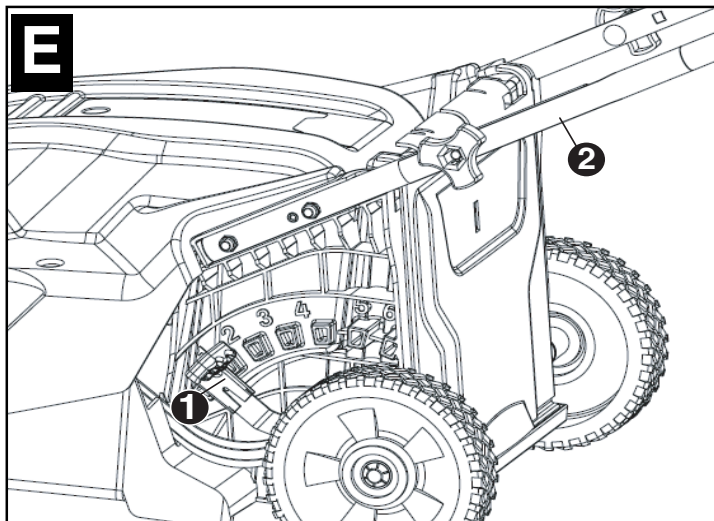
1. Avant d'assembler le collecteur d'herbe au cadre, vérifier que le collecteur d'herbe et le cadre sont semblables à ceux de l'illustration D1.
2. Faire glisser le collecteur d'herbe sur le cadre comme le montre la figure D2 et s'assurer que le collecteur se trouve sous la poignée du cadre.
3. Insérer les pinces supérieures sur le cadre comme indiqué à l'illustration D3, puis les deux pinces latérales et terminer avec la pince inférieure.
4. Le collecteur d'herbe entièrement assemblé est illustré à l'illustration D4.



## RÉGLAGE DE LA HAUTEUR DES ROUES DE 32 MM À 89 MM (1 1/4 PO À 3 1/2 PO) FIGURE E

**REMARQUE :** Pour certains types de pelouses ou d'états de la pelouse, il peut falloir varier le réglage de la hauteur du châssis de la tondeuse.

1. Avant d'effectuer des réglages, éteindre la tondeuse, attendre que la lame s'immobilise et débrancher la tondeuse.
2. Cette tondeuse Black & Decker est dotée d'un système de réglage de la hauteur des roues à un levier. Ce système règle toutes les quatre roues en même temps. La tondeuse peut être réglée de 32 mm (1 1/4 po) à 89 mm (3 1/2 po) et présente six crans marqués sur l'appareil.
3. Placer la main gauche sur la poignée de réglage de hauteur E1 et la main droite sur la partie inférieure de la poignée principale E2.
4. Tirer sur la poignée de réglage de la hauteur (E1) de façon à l'écartier de la tondeuse, et réinitialiser à la position de réglage de hauteur voulue. Tourner la poignée de réglage de la hauteur vers l'avant de la tondeuse diminue la hauteur de coupe et la tourner vers l'arrière augmente la hauteur de coupe.



## HAUTEUR APPROXIMATIVE DE COUPE RECOMMANDÉE

La hauteur de coupe devrait être à la position la plus élevée par temps chaud et à une position basse pour les secteurs ombragés et pour la dernière coupe avant l'hiver. Suivre la règle de 1/3, à savoir ne jamais couper plus d'un tiers de la hauteur totale du gazon. Si l'herbe de la pelouse est trop haute pour employer cette règle, monter la hauteur de coupe avant de tondre. Baisser ensuite à la hauteur voulue et tondre de nouveau environ une journée plus tard.

## DIRECTIVES D'UTILISATION

**REMARQUE :** Une tondeuse à gazon est un appareil électrique majeur et ne devrait pas être utilisée en même temps que d'autres appareils majeurs sur le même circuit domestique.

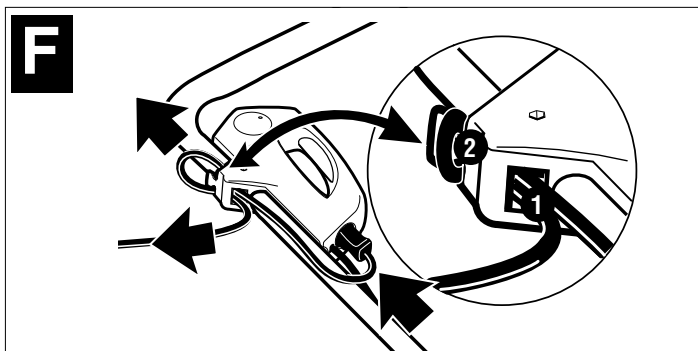
**AVERTISSEMENT :** s'assurer que toutes les personnes et animaux sont éloignés d'au moins 30,5 m (100 pi). Enlever les objets tels les pierres, les tiges, les fils, les jouets, les os et autres débris ou objets qui pourraient être projetés par les lames pivotantes.



## ACCORDEMENT DE LA RALLONGE À LA TONDEUSE (FIGURE F)

**NE PAS** brancher la rallonge à la source d'alimentation avant d'avoir terminé la lecture de ce manuel et de pouvoir commencer la tonte.

1. La rallonge doit être polarisée et ne se branchera que d'une façon, orienter la rainure avec la large broche dans le boîtier du commutateur.
2. Enrouler la rallonge (F1) et appuyer pour l'enfoncer à travers l'ouverture dans le boîtier de l'interrupteur.
3. Tirer la rallonge du côté de la boucle qui est connectée dans le boîtier du commutateur et supprimer tout le mou de cette partie de la rallonge.
4. Placer la boucle sur le panneau de renfort (F2) sur le boîtier et tirer la rallonge afin que la boucle soit entraînée vers le bas autour du panneau de renfort comme montré sur le schéma. Vérifier pour s'assurer que la rallonge n'a pas été desserrée.



## UTILISATION DE L'INTERRUPTEUR (FIGURE G)

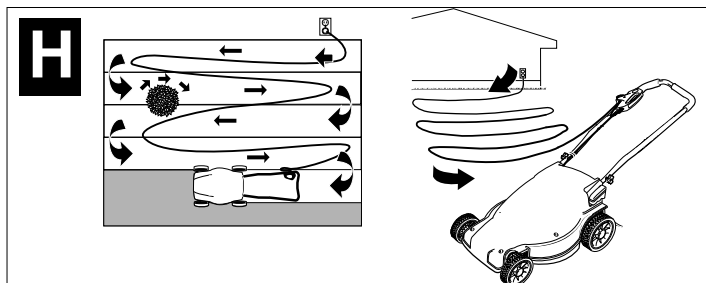
La tondeuse est équipée d'un interrupteur spécial. Pour actionner l'interrupteur, insérer le doigt dans l'ouverture (Figure G) et pousser la manette de façon à pouvoir l'attraper avec l'autre main. Tirer la manette vers l'arrière pour allumer l'appareil et la maintenir contre la poignée de la tondeuse pour la garder en marche. Pour arrêter la tondeuse, relâcher simplement la manette. La manette à ressort « SNAP ACTION » éteindra instantanément la tondeuse.

**AVERTISSEMENT :** NE JAMAIS ANNULER L'OPÉRATION.



## RALLONGE À LA PRISE ÉLECTRIQUE (FIGURE H)

1. Placer la plus grande partie de la rallonge près de la prise électrique, hors de la trajectoire de la tondeuse. Raccordement de la rallonge à la tondeuse.
2. Commencer dans la direction où la rallonge est plus proche de la prise. Commencer la tonte dans la zone la plus proche de la prise et tondre dans un mouvement de va-et-vient. Remarque : le cordon est maintenu sur la portion tondue de la pelouse et hors de la trajectoire de la tondeuse. (FIGURE H)
3. Éviter de tondre en cercles sinon le cordon sera difficile à manoeuvrer.



## ÉCRAN PROTECTEUR ET PANNEAU ARRIÈRE (FIGURE I)

L'écran protecteur (I-1) est conçu pour minimiser la projection arrière par la lame de la tondeuse, de pierres ou autres objets, provenant de sous le châssis. L'écran protecteur de même que le panneau arrière (I-2) réduisent la possibilité d'un contact accidentel d'un pied avec la lame. **NE PAS** utiliser la tondeuse sans l'écran protecteur et le panneau arrière en position.

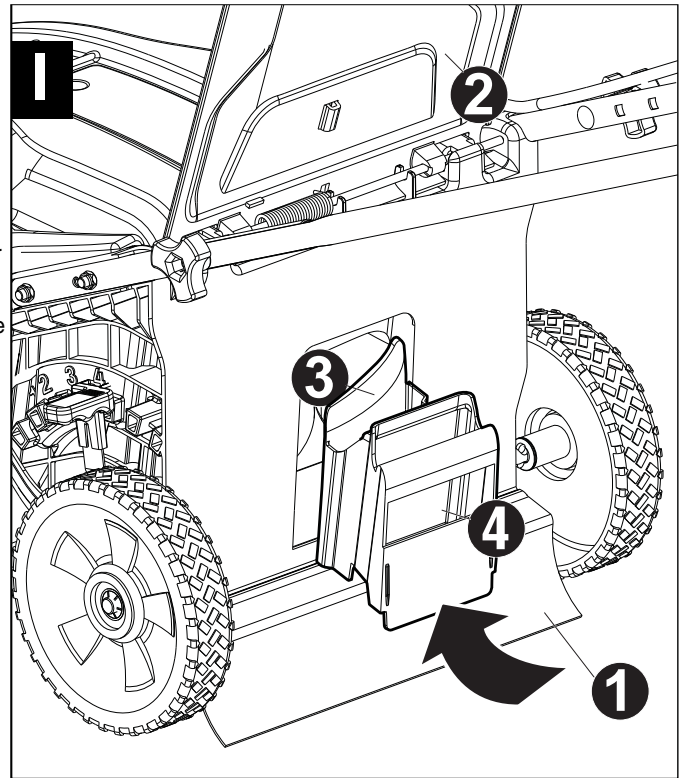
**⚠ DANGER : lame tranchante en mouvement.** Pour votre propre sécurité, **NE PAS** utiliser cette tondeuse sans le collecteur d'herbe ou l'insert de déchiquetage en position de fonctionnement. Une telle pratique peut entraîner de graves blessures.

**⚠ DANGER : lame tranchante en mouvement.** Ne pas utiliser la tondeuse si le panneau arrière ne se referme pas sous la tension du ressort. Une telle pratique pourrait entraîner de graves blessures. Confier la réparation de la tondeuse au centre de réparations le plus proche.

## RETRAIT DE L'INSERT DE DÉCHIQUETAGE (FIGURE I)

Pour retirer l'insert de déchiquetage (I-3) de sorte à pouvoir emballer l'herbe coupée ou l'évacuer par la goulotte de vidange en option, suivre les étapes décrites ci-dessous.

1. Éteindre la tondeuse, attendre que la lame s'immobilise et débrancher la tondeuse.
2. Relever le panneau arrière (I-2) de la décharge et le tenir en position haute.
3. Placer votre main dans la poignée (I-4) de l'insert de déchiquetage comme indiqué puis soulever et retirer l'insert de déchiquetage (I-3) entièrement.
4. Le panneau arrière de la décharge est à ressort. Dès que le panneau est relâché, il se referme.



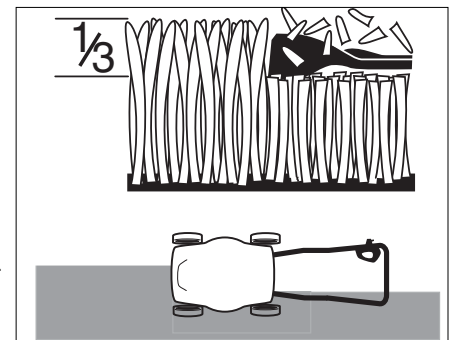
## INSTALLATION DE L'INSERT DE DÉCHIQUETAGE

1. Refaire les étapes 1 et 2 pour retirer l'insert de déchiquetage.
2. Faire coulisser l'insert de déchiquetage (I-3) dans l'ouverture de la décharge jusqu'à ce qu'il repose bien contre le châssis.
3. Relâcher le panneau arrière et s'assurer qu'il est correctement fermé.

## CONSEILS D'UTILISATION DES DÉCHIQUETEUSES

Dans la configuration de déchiquetage cette nouvelle tondeuse est conçue pour la recoupe de l'herbe taillée en brins courts. Ces brins qui sont dispersés pendant l'utilisation de la tondeuse se biodégradent rapidement et fournissent des nutriments pour la pelouse.

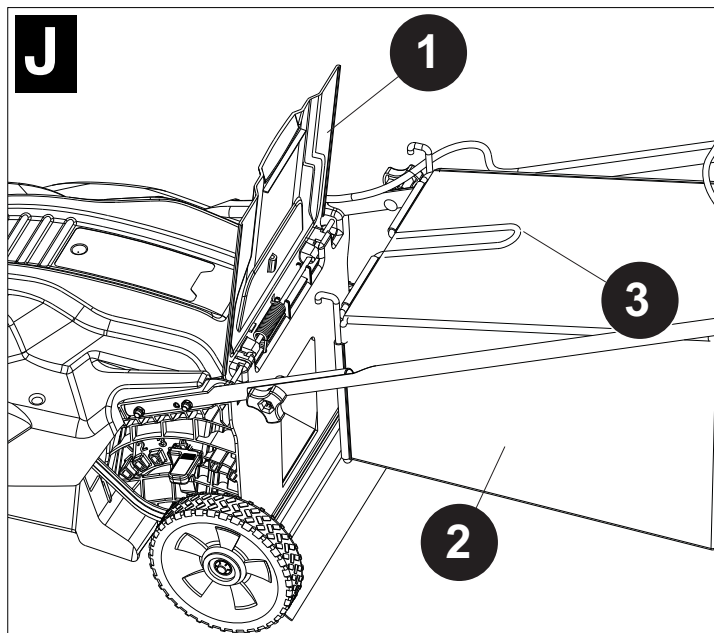
- Régler la tondeuse à la hauteur maximale de coupe lorsque la tondeuse est utilisée sur un sol rugueux ou sur des grandes broussailles.
- Ne pas tailler la pelouse lorsqu'elle est mouillée. L'herbe mouillée a tendance à former des paquets sous l'action des déchiqueteuses. L'après-midi est le meilleur moment pour tailler une pelouse.
- Pour obtenir de meilleurs résultats, régler la hauteur de coupe de la tondeuse à gazon pour qu'elle ne coupe que le tiers supérieur des brins d'herbes.
- Si votre pelouse est broussailleuse il pourrait être nécessaire d'augmenter la hauteur de coupe pour réduire l'effet de poussée et éviter la surcharge du moteur.
- Pour un déchiquetage extrêmement difficile faire des passages étroits et tondre lentement.
- Changer le sens de coupe chaque semaine. Tondre du Nord au Sud une semaine et de l'Est à l'Ouest la semaine suivante. Ceci permettra d'éviter l'enchevêtrement ou le lignage de la pelouse.



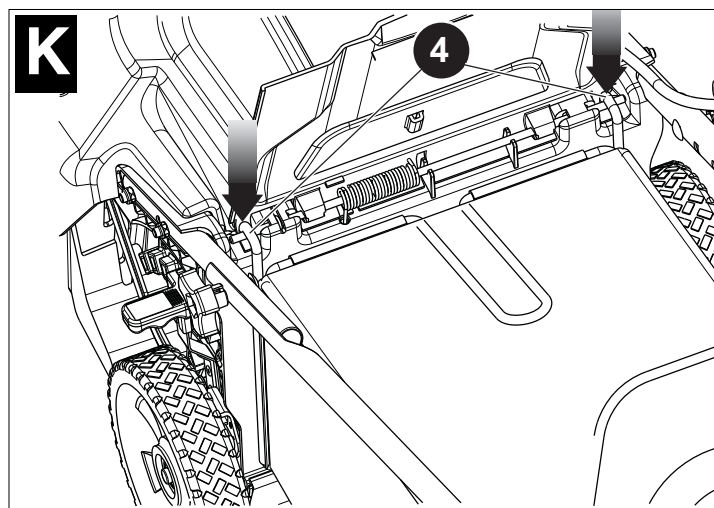
**⚠ MISE EN GARDE :** Ne pas tenter de désencrasser le boîtier de la lame en jetant ou en tapotant la tondeuse contre le sol. Ceci peut endommager la tondeuse.

## INSTALLATION DU COLLECTEUR D'HERBE

1. Éteindre la tondeuse, attendre que la lame s'immobilise et débrancher la tondeuse.
2. Se pencher entre les poignées de la tondeuse, relever le panneau arrière de la décharge (**J-1**) en position verticale et le tenir en position haute. S'assurer que l'insert de déchetage (**I-3**) a bien été retiré.
3. Saisir le collecteur d'herbe (**J-2**) par la poignée (**J-3**) et le placer entre les poignées de la tondeuse comme indiqué.



4. Insérer les crochets de suspension (**K-4**) du collecteur d'herbe sur la tondeuse comme indiqué à l'illustration K. Relâcher le panneau arrière de la décharge.



## SAC À HERBE

Il est conseillé d'ensacher l'herbe de la première coupe du printemps et de la dernière tonte de la saison afin d'éviter les maladies.

1. On préfère parfois ensacher l'herbe pour éviter qu'elle ne se retrouve dans la piscine, dans les bains tourbillons ou dans la maison.
2. On peut verser les brindilles dans le compost et s'en servira plus tard comme fertilisant naturel.

## NETTOYAGE ET RANGEMENT

**⚠ DANGER : S'assurer que la tondeuse est débranchée et que la lame soit immobile.**

Enlever et nettoyer chaque débris de l'extérieur de la tondeuse et du protège-lame avant le rangement. Ranger sous une couverture. Voir la section **ENTRETIEN**.

Le nettoyage de la face inférieure de la tondeuse est plus facile immédiatement après la tonte (**S'ASSURER QUE LA TONDEUSE EST DÉBRANCHÉE ET QUE LA LAME SOIT IMMOBILE**). Un chiffon, un papier froissé ou un papier essuie-tout, peuvent être utilisés pour nettoyer l'herbe accumulée. Faire attention aux arêtes tranchantes de la lame. Un châssis de tondeuse propre améliore l'efficacité de la lame et maintient un rendement élevé. Lors du nettoyage, NE PAS immerger la tondeuse dans l'eau ou l'arroser avec un flexible ou avec une laveuse haute pression. N'utiliser qu'un détergent doux et un chiffon humide pour nettoyer la tondeuse. Ne jamais laisser un liquide pénétrer dans la tondeuse; ne jamais immerger une partie de la tondeuse dans un liquide.

**REMARQUE :** Ne pas ranger la tondeuse sur des engrais ou des produits chimiques ou près de ceux-ci. Ce genre de rangement peut provoquer une rapide corrosion des pièces métalliques.

## PRÉVENTION DE LA CORROSION

Les engrais et autres produits chimiques de jardin renferment des agents qui accélèrent gravement la corrosion du métal. Après utilisation de la tondeuse dans des endroits où des engrais ou des produits chimiques ont été utilisés, la tondeuse doit être ensuite immédiatement nettoyée. Essuyer toutes les pièces exposées avec un chiffon humide. Lubrifier uniquement les pièces métalliques avec de l'huile à base de pétrole léger. Ne pas lubrifier les roues.

## ENTRETIEN

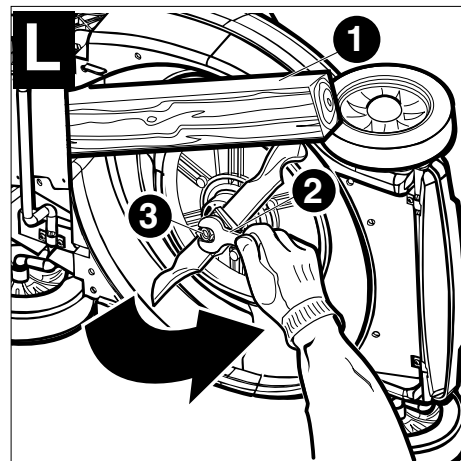
Avant chaque tonte débrancher la tondeuse et s'assurer que la lame soit immobile. Vérifier tous les écrous, les boulons et les vis pour s'assurer que le serrage est adéquat. S'assurer de la vérification du système de fixation de la lame.

**IMPORTANT :** Pour garantir la SÉCURITÉ et la FIABILITÉ du produit, les réparations, l'entretien et le réglage doivent être effectués par un centre de dépannage agréé ou autre centre professionnel de dépannage. Utiliser uniquement des pièces de rechange identiques.

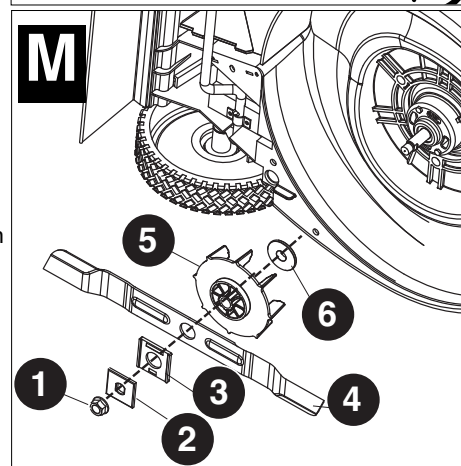
Inspecter et nettoyer soigneusement la tondeuse au début de chaque saison de tonte pour une durée de vie prolongée et un meilleur rendement. De temps à autre, éteindre la tondeuse et attendre que la lame s'immobilise. Débrancher ensuite le cordon d'alimentation et tourner la tondeuse sur le côté. À l'aide d'un objet comme une tige ou un chiffon, nettoyer toute accumulation d'herbe aux alentours de la lame. Nettoyer également toute herbe ou débris qui pourraient s'accumuler autour de l'orifice d'éjection ou de déchetage. Faire attention aux arêtes tranchantes de la lame.

#### RETRAIT ET INSTALLATION DE LA LAME (FIGURE L, M, N)

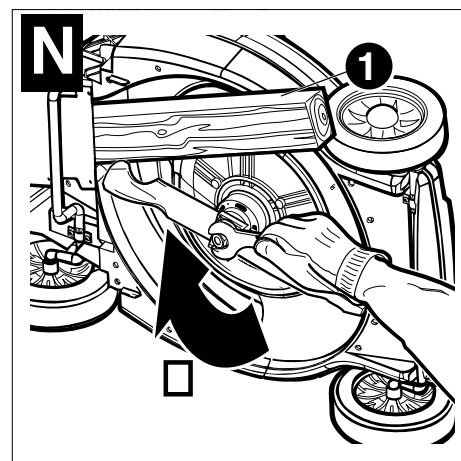
1. DÉGAGER LA MANETTE DE L'INTERRUPTEUR POUR ÉTEINDRE LA TONDEUSE, ATTENDRE QUE LA LAME S'IMMOBILISE ET DÉBRANCHER LA TONDEUSE.
2. Utiliser un morceau de bois de 2x4 (L-1) (d'une longueur d'environ 610 mm ou 2 pieds) pour empêcher la lame de tourner lors du retrait de l'écrou à embase.
3. Placer la tondeuse sur son côté. Porter des gants et des lunettes de protection appropriées. Faire attention aux arêtes tranchantes de la lame. Positionner le morceau de bois (L-1) et enlever l'écrou à embase (L-3) à l'aide d'une clé de 19 mm (3/4 po) (L-2) comme le montre la figure L.



4. Enlever la cale métallique carrée de la lame (M-2), l'isolant en plastique carré de la lame (M-3) et la lame (M-4) comme le montre la figure M. Vérifier si l'isolant de la lame est endommagé et le remplacer s'il y a lieu.
5. Lors du remplacement d'une lame affûtée ou neuve sur l'épaulement du ventilateur (M-5), il faut que le « CÔTÉ GAZON » de la lame soit orienté vers le sol lorsque la tondeuse sera retournée à sa position verticale normale. Après l'installation de la lame (M-4), placer l'isolant en plastique de la lame (M-3) sur la lame de sorte que les bordures élevées sur un côté s'emboîtent dans les bords de la lame. Installer ensuite la cale de la lame (M-2) afin qu'elle repose à l'intérieur des bordures élevées de l'autre côté de l'isolant de la lame. S'assurer de bien aligner les méplats logés dans le trou de la cale de la lame avec les méplats de l'arbre, en tournant ensemble la lame et l'isolant de la lame au besoin.



6. Positionner une pièce de bois (N-1) pour empêcher la lame de tourner (Figure N). Installer les écrous à embase avec la bride contre la cale de la lame et serrer fermement.



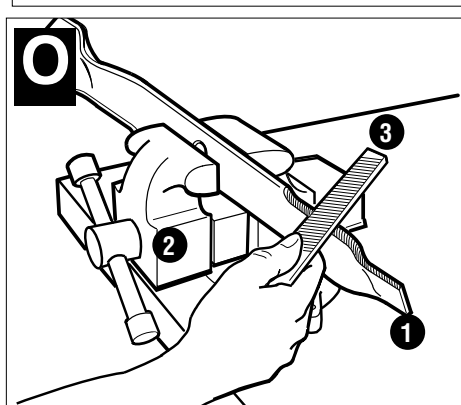
#### AFFÛTAGE DE LA LAME (FIGURE O)

MAINTENIR LA LAME AIGUISÉE POUR OPTIMISER LE RENDEMENT DE LA TONDEUSE. UNE LAME ÉMOUSSÉE NE COUPE PAS NETTEMENT ET NE DÉCHIQUE PAS CORRECTEMENT. UTILISER UNE PROTECTION OCULAIRE ADÉQUATE LORS DU RETRAIT, DE L'AFFÛTAGE ET DE L'INSTALLATION DE LA LAME. S'ASSURER QUE LA CLÉ DE SÛRETÉ ET LE BLOC-PILES SONT RETIRÉS. Deux affûtages par saison sont normalement suffisants dans des conditions normales. Le sable émousse rapidement la lame. Si la pelouse pousse sur un sol sablonneux, des affûtages plus fréquents seront nécessaires.

REMPLENER IMMÉDIATEMENT UNE LAME TORDUE OU ENDOMMAGÉE.

#### LORS DE L'AFFÛTAGE DE LA LAME :

1. S'assurer que la lame reste équilibrée.
2. Affûter la lame suivant l'angle de coupe d'origine.
3. Affûter les arêtes coupantes des deux extrémités de la lame, retirer la même quantité de matière aux deux extrémités.

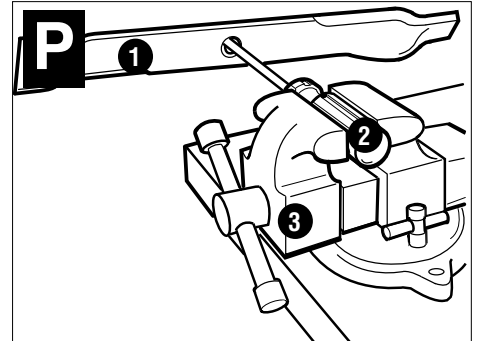


### AFFÛTAGE DE LA LAME DANS UN ÉTAU :

1. S'assurer que la tondeuse est débranchée avant de retirer la lame.
2. Retirer la lame de la tondeuse. Consulter les instructions pour retirer et installer la lame.
3. Fixer solidement la lame O-1 dans un étau O-2.
4. Porter des lunettes de protection et des gants appropriés et faire attention de ne pas vous couper.
5. Limer soigneusement les arêtes coupantes de la lame avec une lime à dents fines O-3 ou une pierre à affûter, en conservant l'angle original de l'arête.
6. Vérifier l'équilibre de la lame. Consulter les directives pour équilibrer la lame.
7. Remettre la lame de la tondeuse et serrer solidement.

### ÉQUILIBRAGE DE LA LAME

Vérifier l'équilibre de la lame en enfilant le trou central de la lame (P-1) sur un clou ou un tournevis à tige ronde (P-2), fixé horizontalement dans un étau (P-3). Si l'une des extrémités de la lame pivote vers le bas, la limer. La lame est correctement en équilibre quand aucune extrémité ne penche vers le bas.



### POSITION DE RANGEMENT

Pour économiser de l'espace, la tondeuse se range en position verticale, la poignée étant repliée comme le montre la figure Q. S'assurer que la tondeuse est débranchée avant de la ranger. Desserrer les deux boutons inférieurs (Q-1) et abaisser la section de poignée (Q-2) en place. Prendre soin de ne pas pincer le cordon d'alimentation. Serrer les deux boutons inférieurs et mettre la tondeuse à la verticale de façon à ce qu'elle repose sur sa poignée et ses roues arrière, tandis que le côté de la lame est appuyé contre le mur.

⚠ **MISE EN GARDE** : point de pincement. Pour éviter de se pincer en abaissant les poignées, garder les doigts hors de la zone entre elles.

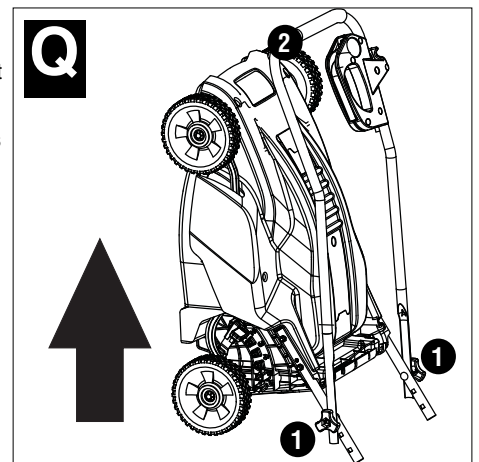
### LUBRIFICATION :

Aucune lubrification n'est nécessaire. Ne pas huiler les roues. Elles possèdent des surfaces de roulements à billes en plastique qui ne nécessitent aucune lubrification.

### ACCESSOIRES :

Les accessoires recommandés pouvant être utilisés avec l'outil sont disponibles auprès du distributeur local ou centre de réparation autorisé. Pour tout renseignement concernant les accessoires, composer le : **1-800-544-6986**

⚠ **AVERTISSEMENT** : l'utilisation de tout accessoire non recommandé avec cet outil pourrait s'avérer dangereuse.



p/n 90550646 INSERT DE DÉCHIQUETAGE

p/n 242867-00 GOULOTTE À ÉJECTION LATÉRALE

p/n 242501-05 COLLECTEUR D'HERBE DE RECHANGE

LAME DE RECHANGE MB-075 UNIQUEMENT POUR LES MODÈLES DE TYPE 1

LAME DE RECHANGE MB-1800 POUR TOUS LES APPAREILS SAUF LES MODÈLES DE TYPE 1

## INFORMATION SUR LES RÉPARATIONS

Tous les centres de réparation Black & Decker sont dotés de personnel qualifié en matière d'outillage électrique; ils sont donc en mesure d'offrir à leur clientèle un service efficace et fiable. Que ce soit pour un avis technique, une réparation ou des pièces de rechange authentiques installées en usine, communiquer avec l'établissement Black & Decker le plus près de chez vous. Pour trouver l'établissement de réparation de votre région, consulter le répertoire des Pages jaunes à la rubrique « Outils électriques » ou composer le numéro suivant : **1-800-544-6986** ou consulter le site [www.blackanddecker.com](http://www.blackanddecker.com)

## GARANTIE COMPLÈTE DE DEUX ANS POUR UNE UTILISATION DOMESTIQUE

Black & Decker (É.-U.) Inc. garantit ce produit pour une durée de deux ans contre tout défaut de matériau ou de fabrication. Le produit défectueux sera remplacé ou réparé sans frais de l'une des deux façons suivantes :

La première façon consiste en un simple échange chez le détaillant qui l'a vendu (pourvu qu'il s'agisse d'un détaillant participant). Tout retour doit se faire durant la période correspondant à la politique d'échange du détaillant (habituellement, de 30 à 90 jours après l'achat). Une preuve d'achat peut être requise. Vérifier auprès du détaillant pour connaître sa politique concernant les retours hors de la période définie pour les échanges.

La deuxième option est d'apporter ou d'envoyer le produit (transport payé d'avance) à un centre de réparation autorisé ou à un centre de réparation de Black & Decker pour faire réparer ou échanger le produit, à notre discrétion. Une preuve d'achat peut être requise. Les centres Black & Decker et les centres de service autorisés sont répertoriés dans les pages jaunes, sous la rubrique « Outils électriques ».

Cette garantie ne s'applique pas aux accessoires. Cette garantie vous accorde des droits légaux spécifiques et vous pourriez avoir d'autres droits qui varient d'un État ou d'une province à l'autre. Pour toute question, communiquer avec le directeur du centre de réparation

Black & Decker le plus près de chez vous. Ce produit n'est pas destiné à un usage commercial.

**REMPLACEMENT GRATUIT DES ÉTIQUETTES D'AVERTISSEMENT** : si les étiquettes d'avertissement deviennent illisibles ou sont manquantes, composer le **1-800-544-6986** pour en obtenir le remplacement gratuit.

## Garantie du châssis

Le châssis est garanti à vie seulement contre les vices de matière ou de fabrication.

## GUIDE DE DÉPANNAGE

### PROBLÈME

- Le moteur ne démarre pas

### ACTION CORRECTIVE

- Vérifier le fusible ou le disjoncteur pour s'assurer que la prise est alimentée

- Essayer la rallonge avec un autre appareil électrique pour s'assurer que le cordon d'alimentation est en bon état.

- Appeler le représentant du service à la clientèle 1 800 544-6986

-Le moteur ralentit continuellement

- La face inférieure de la tondeuse peut être bouchée par les débris.

Éteindre la tondeuse, attendre que la lame s'immobilise et débrancher la tondeuse puis nettoyer.

- L'herbe peut être trop haute, essayer de pousser à une vitesse plus lente ou augmenter la hauteur de coupe.

- Vérifier le tranchant et l'équilibre de la lame et corriger si nécessaire.

- En cas de déchiquetage, il y a trop d'herbes. Éteindre la tondeuse, attendre que la lame s'immobilise, débrancher et augmenter la hauteur de coupe.

-Fonctionne mais tonte faible

- La lame peut être émoussée. Éteindre la tondeuse, résultats attendre l'immobilisation de la lame et

DÉBRANCHER la tondeuse puis vérifier le tranchant avec soin.

- La lame peut être endommagée (courbée ou ébréchée). Éteindre la tondeuse, attendre que la lame s'immobilise et débrancher la tondeuse si nécessaire.

- L'herbe peut être trop haute ou épaisse pour la hauteur de coupe. Éteindre la tondeuse, attendre que la lame s'immobilise et la débrancher et augmenter la hauteur de coupe.

-Vibration excessive

- La lame peut être desserrée. Éteindre la tondeuse, attendre l'immobilisation de la lame et débrancher la

tondeuse attendre l'immobilisation de la lame et vérifier le serrage.

- La lame peut être courbée ou ébréchée. Éteindre la tondeuse, attendre l'immobilisation de la lame, débrancher la tondeuse et remplacer si nécessaire.

-La lame peut être en déséquilibre. Se reporter à la section d'équilibrage de la lame du manuel d'instruction.

-La tondeuse est difficile à pousser

- La tondeuse est trop proche du sol selon la quantité d'herbe coupée. Éteindre la tondeuse, attendre

l'immobilisation de la lame et débrancher la tondeuse puis augmenter la hauteur de coupe.

Éteindre la tondeuse, attendre l'immobilisation de la lame, débrancher la tondeuse puis vérifier les roues et les essieux pour s'assurer que l'assemblage tourne aisément.

-La tondeuse laisse des touffes de feuilles

- Éteindre la tondeuse, attendre l'immobilisation de la lame et débrancher la tondeuse puis

augmenter la hauteur de coupe.

- Éteindre la tondeuse, attendre l'immobilisation de la lame, débrancher la tondeuse et vérifier soigneusement le tranchant de la lame.

- L'herbe peut être trop humide pour être taillée. Attendre que l'herbe sèche.

-Connexion de l'éjecteur/sac

- L'herbe peut être trop humide, essayer encore lorsque l'herbe est sèche.

- Il y a trop d'herbe. Éteindre la tondeuse, attendre l'immobilisation de la lame et débrancher la tondeuse puis augmenter la hauteur de coupe.

## **VOICI QUELQUES CONSEILS PRATIQUES POUR OPTIMISER L'UTILISATION DE VOTRE TONDEUSE SANS FIL BLACK & DECKER... ET OBTENIR UNE PELOUSE DE RÊVE**

1. Tondre la pelouse la première fois au printemps lorsque l'herbe atteint une hauteur de 63 mm à 76 mm (2 1/2 po à 3 po). Tondre la pelouse trop tôt limitera le développement des racines de la pelouse qui se renouvellent chaque printemps. Couper la nouvelle herbe lorsqu'elle atteint une hauteur d'environ 63 mm (2 1/2 po).
2. Ne pas couper une trop grande proportion de la hauteur d'herbe en un seul passage. Jamais plus de 1/3 de la hauteur de la feuille à chaque passage. Des tontes trop rapprochées dans le temps perturbent les tiges d'herbe sensibles, ce qui produit un système superficiel de racines et la pelouse éprouve de la difficulté par la suite à atteindre l'eau dans le sol.
3. Des spécialistes en soins de la pelouse déclarent qu'une bonne partie des problèmes constatés en matière de pelouse provient de coupes trop rapprochées. La profondeur et la résistance des racines de l'herbe sont presque exactement proportionnelles à sa croissance. L'herbe de pelouses bien établies est souvent endommagée lorsque coupée plus courte que 38 mm (1 1/2 po). Une hauteur de 38 mm à 51 mm (1 1/2 po à 2 po) est préférable pour les pelouses de grande superficie.
4. Tondre la pelouse lorsqu'elle est sèche pour éviter la formation de mottes d'herbe mouillée. S'il est possible, la fin de l'après-midi est la période idéale pour tondre la pelouse non seulement parce que l'herbe est sèche, mais également parce que l'aire nouvellement coupée sera protégée des rayons forts du soleil.
5. Maintenir la lame affûtée pour une coupe bien nette. Cette pratique améliore le rendement de la tondeuse et l'apparence de la pelouse. Une lame émoussée casse et écrase les pointes de l'herbe. Ceci nuit à la saine croissance de la pelouse et accroît la susceptibilité aux maladies qui l'attaquent. Si les pointes de l'herbe sont écrasées, elles brunissent et la pelouse a l'air en mauvaise santé. Une lame émoussée peut également arracher les nouvelles pousses.
6. Essayer de tondre la pelouse toujours à la même (constante) hauteur de coupe. Il est parfois nécessaire de varier la hauteur de coupe en fonction de la saison. Toutefois, une coupe à hauteur constante produit une belle pelouse plus saine avec, en règle générale, moins de mauvaises herbes. Tondre la pelouse plus fréquemment en période de croissance rapide. Une coupe fréquente permet de cacher la section plus basse, moins attrayante de l'herbe.
7. Si la pelouse devient trop longue (des vacances, par exemple, pourraient interrompre la tonte de la pelouse), couper la pelouse à une ou deux hauteur(s) plus élevée(s) que normalement. Quelques jours plus tard, un deuxième passage à une hauteur normale de coupe redonnera à la pelouse son air d'antan. La modification de la hauteur de coupe est simple avec le réglage en un mouvement de la hauteur des roues de Black & Decker, qui ajuste simultanément les quatre roues de la tondeuse.
8. Au printemps et à l'automne (ou après toute interruption du rythme de coupe), l'herbe sera plus longue et plus épaisse. Si le moteur ralentit à tout moment en cours de tonte, régler les roues à une hauteur de coupe plus élevée. Une charge excessive du moteur peut causer une coupe inégale et déclencher le disjoncteur de la maison, ce qui a pour effet d'arrêter le moteur.
9. Trois bonnes idées pour améliorer l'apparence de la pelouse : varier fréquemment le sens de coupe, couper horizontalement sur les pentes (ceci est également une bonne mesure de sécurité) et ne pas oublier de superposer le champ de coupe à chaque passage.
10. Couper toujours la pelouse de sorte que l'herbe coupée soit redistribuée sur la pelouse tondue. Cette technique donne à la pelouse une apparence fraîche en évitant une accumulation d'herbes coupées brunies et laides. Cette technique aide également à préserver la charge de la pile de la tondeuse électrique sans fil Black & Decker.

Importé par  
Black & Decker Canada Inc.  
100 Central Ave.  
Brockville (Ontario) K6V  
5W6

Voir la rubrique "Outils  
électriques"  
des Pages jaunes  
pour le service et les ventes.

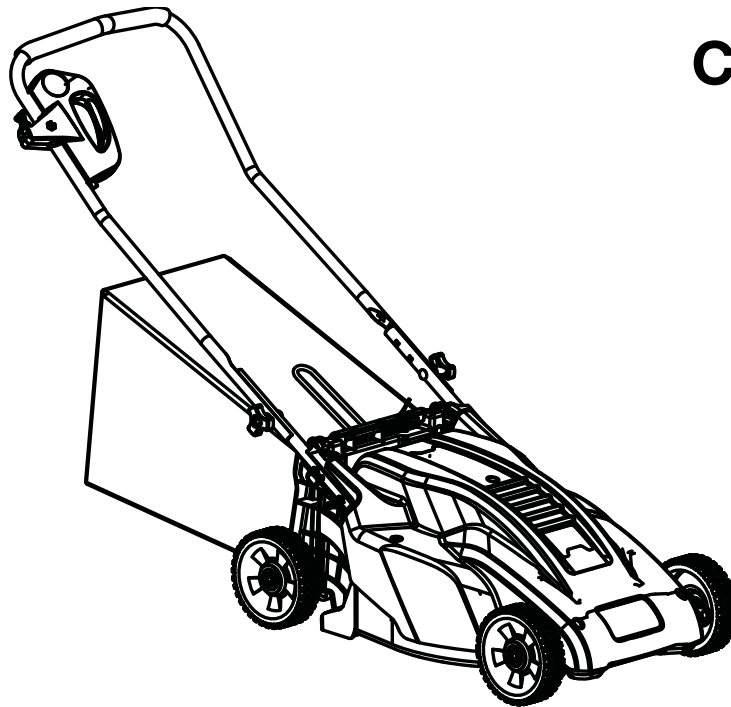






**Podadora desbrozadora de 46 cm (18 pulgadas) con  
bolsa recolectora trasera**

## **MANUAL DE INSTRUCCIONES**



**Catálogo N°  
MM1800**

**Gracias por elegir Black & Decker!**

**Visite [www.BlackandDecker.com/NewOwner](http://www.BlackandDecker.com/NewOwner) para registrar su nuevo producto.**

**LEA EL MANUAL ANTES DE DEVOLVER ESTE PRODUCTO  
POR CUALQUIER MOTIVO:**

Si tiene una consulta o algún inconveniente con su producto Black & Decker, visite [HTTP://WWW.BLACKANDDECKER.COM/INSTANTANSWERS](http://WWW.BLACKANDDECKER.COM/INSTANTANSWERS) para obtener respuestas instantáneas las 24 horas del día.

Si no encuentra la respuesta o no tiene acceso a Internet, llame al 1-800-544-6986 de lunes a viernes de 8 a.m. a 5 p.m. hora del Este para hablar con un agente. Cuando llame, tenga a mano el número de catálogo.

### **INFORMACIÓN CLAVE QUE DEBE CONOCER:**

- No ponga en funcionamiento la podadora sin verificar que el mango esté trabado en su posición.
- Para obtener mejores resultados en el corte, mantenga las hojas afiladas y balanceadas.
- Examine y limpie minuciosamente la podadora después de utilizarla (una plataforma cubierta de bloques de césped afectará el rendimiento de la máquina).
- Antes de comenzar la tarea, asegúrese de despejar el área de trabajo y no permita el ingreso de personas o mascotas.

**CONSERVE ESTE MANUAL PARA FUTURAS CONSULTAS.**

## NORMAS DE SEGURIDAD: DEFINICIONES

Es importante que lea y comprenda este manual.

La información que contiene está relacionada con la protección de SU SEGURIDAD y la PREVENCIÓN DE PROBLEMAS. Los símbolos que siguen se utilizan para ayudarlo a reconocer esta información.

**⚠ PELIGRO:** Indica una situación de peligro inminente que, si no se evita, provocará la muerte o lesiones graves.

**⚠ ADVERTENCIA:** Indica una situación de peligro potencial que, si no se evita, podría provocar la muerte o lesiones graves.

**⚠ PRECAUCIÓN:** Indica una situación de peligro potencial que, si no se evita, puede provocar lesiones leves o moderadas.

**PRECAUCIÓN:** Utilizado sin el símbolo de alerta de seguridad indica una situación de peligro potencial que, si no se evita, puede provocar daños en la propiedad.

Las siguientes son explicaciones de las importantes ilustraciones de seguridad en la cortadora de pasto.



1. El usuario debe leer y comprender el manual de instrucciones.



2. Para evitar el riesgo de lesiones graves, no corte hacia arriba y hacia abajo en pendiente. Siempre corte pendientes transversalmente.



3. Para evitar el riesgo de lesiones a personas circunstantes, mantenga a toda persona y mascota a una distancia segura de la cortadora de pasto mientras la opere.



4. Las hojas giratorias pueden provocar lesiones graves. Mantenga las manos y los pies lejos de la plataforma y la abertura de descarga de la podadora en todo momento. Siempre asegúrese de que la hoja se haya detenido antes de retirar y volver a colocar el recolector de césped, limpiar la unidad, realizar tareas de mantenimiento y transportar o levantar la podadora (después de liberar la palanca del interruptor y desenchufar la unidad, espere aproximadamente 3 segundos hasta que la hoja deje de girar).



5. Los golpes de objetos con la hoja de la podadora pueden provocar lesiones graves. Permanezca detrás del mango cuando el motor esté en funcionamiento. Siempre controle que no haya personas ni mascotas en la zona de descarga de la podadora en funcionamiento. Siempre examine el área de trabajo antes de comenzar a cortar y retire los objetos que podrían ser expulsados por la hoja. Antes de cruzar veredas, calles, patios o senderos de grava con la podadora, suelte la palanca del interruptor para apagarla y espere hasta que la hoja deje de girar (aproximadamente 3 segundos).

**⚠ ADVERTENCIA: Instrucciones y advertencias de seguridad importantes**

**⚠ ADVERTENCIA:** Al utilizar aparatos eléctricos para jardín, siempre se deben tomar ciertas precauciones básicas de seguridad para minimizar el riesgo de incendio, descarga eléctrica y lesiones personales.

## LEA TODAS LAS INSTRUCCIONES

### PARA REDUCIR EL RIESGO DE LESIONES:

- Antes de utilizar la herramienta, asegúrese de que todas las personas que la utilicen hayan leído y comprendido todas las instrucciones de seguridad y demás información incluida en este manual.
- Guarde estas instrucciones y revíselas con frecuencia antes de usar y al enseñarles a los demás.

### ⚠ PRÁCTICAS DE SEGURIDAD IMPORTANTES SOBRE PELIGROS PARA LAS PODADORAS MANUALES

Esta podadora puede amputar manos y pies y arrojar objetos. La inobservancia de las siguientes instrucciones de seguridad puede causar lesiones graves o la muerte.

#### OPERACIÓN GENERAL

1. Lea, comprenda y siga todas las instrucciones en la podadora y en el manual de instrucciones antes de comenzar.
2. No coloque las manos ni los pies cerca o debajo de la podadora. Manténgase alejado de la apertura de descarga en todo momento.
3. Sólo deje que adultos responsables, familiarizados con las instrucciones, operen esta podadora.
4. Limpie el área donde se usará la podadora de objetos como piedras, palos, alambres, juguetes, huesos, etc., que pueden ser arrojados por la hoja. Los objetos que la hoja golpee pueden causar lesiones graves a personas. Cuando el motor esté en funcionamiento, permanezca detrás del mango.
5. Antes de operar la podadora, asegúrese de que el área circundante esté libre de espectadores. Todos los espectadores y las mascotas se deben mantener a una distancia segura. Detenga la podadora si alguna persona ingresa en el área circundante.
6. No opere la podadora descalzo o con sandalias. Use siempre calzado cerrado.
7. No tire de la podadora hacia atrás a menos que sea absolutamente necesario. Siempre mire hacia abajo y hacia atrás antes y durante movimientos en retroceso.
8. Nunca apunte el material de descarga hacia una persona. Evite descargar el material contra una pared o un obstáculo. El material puede rebotar en dirección al operador. Cuando atraviese superficies con grava o cuando suelte el mango, libere la palanca del interruptor para apagar la podadora y detener la hoja.
9. No opere la podadora sin la cavidad para el césped, el protector de descarga, el protector trasero o todos los otros dispositivos de protección en su lugar y en funcionamiento. Controle periódicamente todos los protectores y dispositivos de seguridad para asegurarse de que estén en buenas condiciones, funcionen correctamente y cumplan con la función para la que fueron diseñados. Reemplace un protector u otro dispositivo de seguridad dañado antes de volver a usarlo.
10. Nunca deje de supervisar una podadora en funcionamiento.
11. Antes de quitar la cavidad para el césped, desatascar el protector de descarga o limpiar, ajustar, reparar, inspeccionar o dejar la podadora, siempre libere la palanca del interruptor para parar el motor, espere que la hoja se detenga por completo y desenchufe la podadora.
12. Sólo opere la podadora de día o con buena luz artificial de modo que los objetos en el área donde se usará la podadora y en el trayecto de la hoja sean claramente visibles.

13. No opere la podadora bajo el efecto de alcohol o drogas o cuando esté cansado o enfermo. Manténgase alerta, ponga atención en lo que está haciendo y use el sentido común.
14. Evite los ambientes peligrosos. Nunca opere la podadora sobre pasto húmedo o mojado o con lluvia. Asegure siempre su estabilidad; no corra, camine.
15. Si el sistema de impulsión está equipado, antes de arrancar el motor, destrábelo.
16. Si la cubierta de la podadora comienza a vibrar de modo anormal, libere la palanca del interruptor, espere que la hoja se detenga, desenchufe la podadora y verifique la causa de inmediato. Por lo general, la vibración es la advertencia de un problema.
17. Cuando opere la podadora, utilice siempre protección respiratoria y visual adecuada.
18. El uso de accesorios o dispositivos no recomendados para utilizar con esta podadora puede resultar peligroso. Sólo utilice accesorios aprobados por Black & Decker.
19. Nunca se estire demasiado cuando opere esta podadora. Conserve el equilibrio y párese adecuadamente en todo momento mientras opera la podadora.

## FUNCIONAMIENTO EN PENDIENTE

Las pendientes son el factor principal relacionado con los resbalones y las caídas, que pueden causar lesiones graves. La operación en las pendientes requiere precaución extra. Si en una pendiente se siente inseguro, en dicha zona no corte el césped.

1. Corte el césped a través de la cara de las pendientes; nunca hacia arriba y hacia abajo. Tenga extremo cuidado cuando cambia de dirección en las pendientes.
2. Tenga cuidado con los pozos, los baches, las protuberancias u otros objetos escondidos. El terreno desnivelado puede causar un resbalón o una caída. El césped alto puede esconder obstáculos.
3. No corte el césped si el está mojado o en pendientes pronunciadas. Una mala pisada puede causar un resbalón o una caída.
4. No corte el césped cerca de barrancas, zanjas o terraplenes. Puede perder el equilibrio.

## NIÑOS

Si el operador no está alerta ante la presencia de niños, pueden ocurrir accidentes trágicos. Los niños con frecuencia se sienten atraídos por las podadoras y su funcionamiento. Nunca dé por sentado que los niños permanecerán donde los vio por última vez.

1. Mantenga a los niños fuera del área donde se corta el césped y al cuidado de un adulto responsable que no sea el operador.
2. Esté alerta y apague la podadora si un niño ingresa en el área de corte.
3. Nunca deje que un niño opere la podadora.
4. Tenga extremo cuidado cuando se aproxima a esquinas, arbustos, árboles u otros objetos que puedan bloquear la presencia de un niño.

## MANTENIMIENTO GENERAL

1. Nunca opere la podadora en un área cerrada.
2. Mantenga todas las tuercas y los pernos ajustados para asegurar que el equipo esté en condiciones seguras de funcionamiento.
3. Nunca altere la podadora con dispositivos de seguridad. Verifique que funcione correctamente con frecuencia.
4. Mantenga la podadora libre de césped, hojas u otros desechos acumulados. Antes de guardar la podadora, deje que se enfríe.
5. Si golpea un objeto extraño, libere la palanca del interruptor para apagar la podadora, espere que la hoja se detenga y desenchufe y examine la podadora. Antes de arrancar y operar la podadora, repare cualquier daño.
6. Nunca realice un ajuste ni repare la podadora con el motor en funcionamiento o la podadora enchufada.
7. Antes de ajustar, limpiar, reparar, examinar, transportar, almacenar o dejar una podadora eléctrica, desenchúfela siempre.
8. Controle los componentes de la cavidad para el pasto y el protector de descarga con frecuencia y, cuando sea necesario reemplazar una pieza, use solamente los repuestos recomendados por Black & Decker.
9. Las hojas de la podadora son filosas. Envuelva las hojas, use guantes y tenga mucho cuidado cuando realiza un mantenimiento.
10. Conserve o reemplace las etiquetas de las instrucciones y las etiquetas de seguridad, según sea necesario.

## ⚠ ADVERTENCIA: ADVERTENCIAS E INSTRUCCIONES DE SEGURIDAD GENERALES PARA TODAS LAS HERRAMIENTAS

- **ESTA HERRAMIENTA PUEDE SER PELIGROSA.** Siga todas advertencias e instrucciones de seguridad contenidas en este manual. El operador es responsable de seguir las advertencias y las instrucciones en el manual y en la unidad. Limite el uso de esta podadora a personas que hayan leído y comprendido y que sigan las advertencias e instrucciones en este manual y en la unidad.
- **GUARDE LA PODADORA BAJO TECHO.** Las podadoras se deben guardar bajo techo, en un área seca y segura y fuera del alcance de los niños.
- **NO FUERCE LA PODADORA.** Trabajará mejor y con menos probabilidad de riesgo de daños si se opera a la velocidad para la que fue diseñado.
- **UTILICE EL APARATO ADECUADO.** Nunca utilice la podadora para otra tarea que no sea aquella para la que fue creada.
- **USE LA VESTIMENTA ADECUADA.** No use ropas holgadas o joyas. Pueden atascarse en las piezas en movimiento. Se recomienda utilizar guantes de goma, pantalones largos y calzado antideslizante al trabajar al aire libre.
- **USE ANTEOJOS DE SEGURIDAD Y CUALQUIER OTRO EQUIPO DE SEGURIDAD.** Use anteojos protectores o lentes de seguridad con protección lateral que cumplan con las normas de seguridad aplicables y, de ser necesario, un protector facial. Utilice también máscaras faciales o para polvo si la operación produce polvillo. Esto se aplica a todas las personas que se encuentren en el área de trabajo. Utilice también un casco, protección auditiva, guantes, calzado de seguridad y sistemas de recolección de polvo cuando así se especifique o requiera. Puede conseguir anteojos de seguridad o similares a un costo adicional en su distribuidor local o en el Centro de mantenimiento de Black & Decker.
- **NO TIRE DEL CABLE.** Nunca transporte la podadora por el cable ni lo jale para desconectarlo del tomacorriente. Mantenga el cable alejado del calor, el aceite y los bordes afilados.
- **MANTENGA LA PODADORA CON CUIDADO.** Mantenga las hojas afiladas y limpias para un mejor rendimiento y para reducir el riesgo de lesiones personales. Siga las instrucciones para lubricar y cambiar los accesorios. Inspeccione el cable de la podadora periódicamente y, en caso de estar dañado, llévelo a una instalación de mantenimiento autorizada para que lo reparen. Inspeccione los cables prolongadores periódicamente y reemplácelos si están dañados. Mantenga los mangos secos, limpios y libres de aceite y grasas.
- **EVITE EL ENCENDIDO POR ACCIDENTE.** No transporte la podadora enchufada con el dedo en el interruptor. Asegúrese de que el interruptor esté apagado cuando lo enchufe.
- **ANTES DE USAR,** verifique siempre que la hoja, los sujetadores de la hoja y el conjunto del cortador no estén desgastados o dañados. Reemplace las hojas y los juegos de sujetadores desgastados o dañados para preservar el equilibrio. Examine el cable de la podadora. Asegúrese de que esté en buenas condiciones. El aislamiento del cable debe estar intacto, sin roturas ni deterioro.
- **PARA DISMINUIR EL RIESGO DE DESCARGAS ELÉCTRICAS,** esta podadora posee enchufes polarizados (una pata es más ancha que la otra) y requerirá el uso de un cable prolongador polarizado. El enchufe de la podadora se ajustará en un cable prolongador polarizado de una sola manera. Si el cable prolongador no se ajusta totalmente en el tomacorriente, invierta el enchufe. Si aún así no se ajusta, obtenga un cable prolongador polarizado adecuado. Un cable prolongador polarizado requerirá el uso de un tomacorriente de pared polarizado. El enchufe se ajustará en un tomacorriente de pared polarizado de una sola manera. Si el cable prolongador no se ajusta totalmente en el tomacorriente de

pared, invierta el enchufe. Si aún así no se ajusta bien, recurra a un electricista calificado para que instale un tomacorriente de pared adecuado. No cambie el enchufe de la podadora, el tomacorriente del cable prolongador ni el enchufe del cable prolongador de ninguna manera.


- **CABLES PROLONGADORES.** Asegúrese de que el cable prolongador esté en buenas condiciones. El aislamiento del cable debe estar intacto, sin roturas ni deterioro. Los conectores del enchufe no deben estar dañados. Cuando utilice un cable prolongador, asegúrese de que tenga la capacidad para conducir la corriente que su producto exige. Un cable de menor medida provocará una disminución en el voltaje de la línea y causará pérdida de energía y sobrecalentamiento. La tabla muestra la medida correcta que debe utilizar según la longitud del cable y la capacidad nominal en amperios indicada en la placa. En caso de duda, utilice el calibre inmediatamente superior. Cuanto menor es el número de calibre, más grueso es el cable.

Calibre mínimo para cables de extensión					
Volts	Longitud total del cable en pies				
120V	0-25	26-50	51-100	101-150	
	(0-7,6m)	(7,6-15,2m)	(15,2-30,4m)	(30,4-45,7m)	
240V	0-50	51-100	101-200	201-300	
	(0-15,2m)	(15,2-30,4m)	(30,4-60,9m)	(60,9-91,4m)	
Amperaje					
Más de		No más de		American Wire Gage	
0	- 6	18	16	16	14
6	- 10	18	16	14	12
10	- 12	16	16	14	12
12	- 16	14	12	No se recomienda	

-  indica que la podadora tiene "AISLAMIENTO DOBLE".
- **ADVERTENCIA SOBRE LOS CABLES PROLONGADORES PARA USO EN EXTERIORES:** A fin de reducir el riesgo de descarga eléctrica, solamente use la podadora con un cable prolongador para uso en exteriores como SW-A, SOW-A, STW-A, STOW-A, SJW-A, SJOW-A, SJTW-A o SJTOW-A.
- La protección del **INTERRUPTOR DE CORTE POR FALLA A TIERRA (GFCI)** debe aplicarse a los circuitos o los tomacorrientes que se utilizarán para la podadora. Hay tomacorrientes con protección GFCI incorporada que pueden utilizarse para tomar esta medida de seguridad.
- **VERIFIQUE QUE NO HAYA PIEZAS DAÑADAS.** Antes de volver a utilizar la podadora, se debe controlar cualquier protección u otra pieza que esté averiada para determinar si funcionará correctamente y realizará la función para la que fue diseñado. Verifique la alineación de las piezas móviles, la rotura de piezas, el montaje y cualquier otra condición que pueda afectar su operación. Cualquier protección u otra pieza que esté dañada debe ser reparada correctamente o reemplazada por un centro de mantenimiento autorizado, a menos que este manual indique otra cosa.
- **MANTENIMIENTO Y REPARACIONES** Las reparaciones, el mantenimiento y los ajustes que no estén especificados en este manual deben ser realizados por los centros de mantenimiento autorizados de Black & Decker o por otras organizaciones de mantenimiento calificadas, y siempre deben usarse piezas de repuesto idénticas.

### PELIGRO: ADVERTENCIAS ADICIONALES PARA PODADORAS

- Cuando opere la podadora, agarre **SIEMPRE** con firmeza el mango con ambas manos.
- **NUNCA** escuche radio o use auriculares para escuchar música cuando opere la podadora.
- **RECOJA** el cabello largo.
- **NUNCA** intente ajustar la altura de una rueda con el motor en funcionamiento o la podadora enchufada.
- **SI LA PODADORA SE ATASCA**, antes de desatorar el conducto de descarga y quitar lo que obstruye el paso debajo de la plataforma, libere la palanca del interruptor para apagar la podadora, espere que la hoja se detenga y desenchufe el cable.
- **MANTENGA LAS MANOS** y los pies lejos del área de corte.
- **MANTENGA LAS HOJAS** afiladas. Use siempre guantes protectores cuando maneje la hoja de la podadora.
- **SI USA** una cavidad para el césped, examínela con frecuencia para corroborar su desgaste o deterioro. Si está muy desgastado, reemplácelo por una bolsa nueva para su seguridad.
- **TENGA MUCHO CUIDADO** cuando maniobre la podadora en reversa o la jale hacia su persona.

 **ADVERTENCIA:** Parte del polvo generado por este producto contiene sustancias químicas reconocidas por el Estado de California como causantes de cáncer, defectos de nacimiento u otros problemas reproductivos. Algunos ejemplos de estos productos químicos son:

- compuestos en fertilizantes
- compuestos en insecticidas, herbicidas y pesticidas
- arsénico y cromo de madera con tratamiento químico

Para reducir su exposición a estas sustancias químicas, utilice el equipo de seguridad aprobado, como máscaras para polvo especialmente diseñadas para filtrar partículas microscópicas.

## CONSERVE ESTAS INSTRUCCIONES

## PREPARACIÓN

CONSULTE LOS DIAGRAMAS (A, B, C...) Y LOS NÚMEROS DE LOS ÍTEMS (1, 2, 3...), SEGÚN SE INDICA EN EL MANUAL. POR EJEMPLO, LA INDICACIÓN A-1 SE REFIERE AL ÍTEM 1 DE LA FIGURA A.

### DESEMBALAJE: (FIGURAS A1, A2)

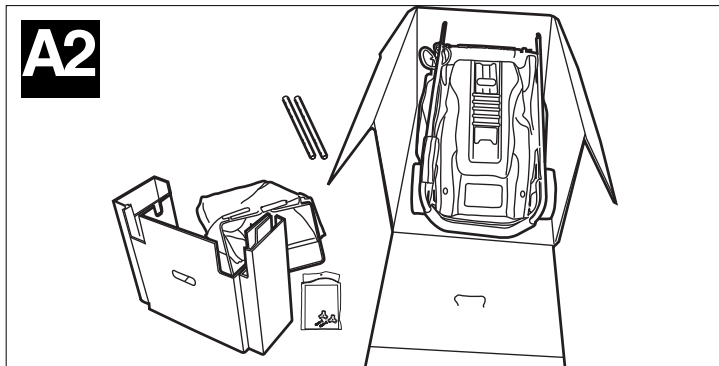
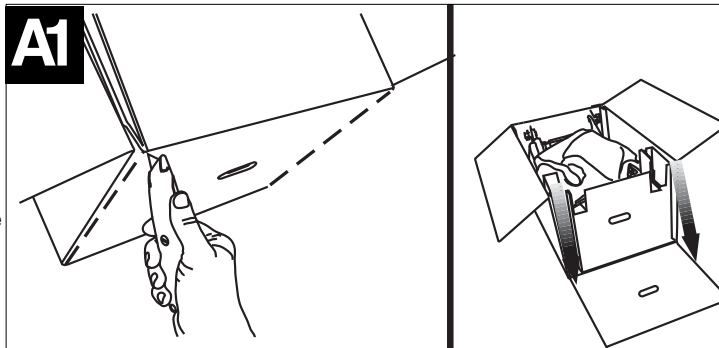
#### PASO 1:

Abra las partes superiores de la caja. Corte cuidadosamente los lados de la caja en el extremo opuesto al mango y doble la aleta hacia abajo como se muestra.

**⚠ ADVERTENCIA: Hoja filosa.** Mantenga las partes del cuerpo alejadas de la hoja.

#### PASO 2:

Cuando el extremo cortado de la caja esté abierto, retire el elemento de relleno de cartón, los tubos del mango, la bolsa para accesorios y la bolsa recolectora de césped, y empuje la podadora fuera de la caja abierta.



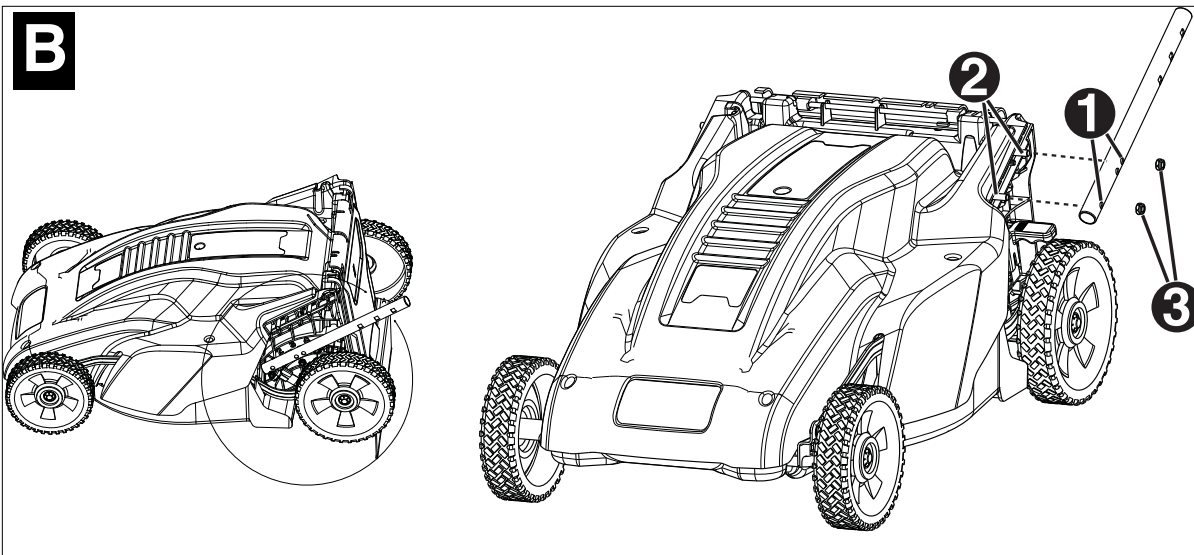
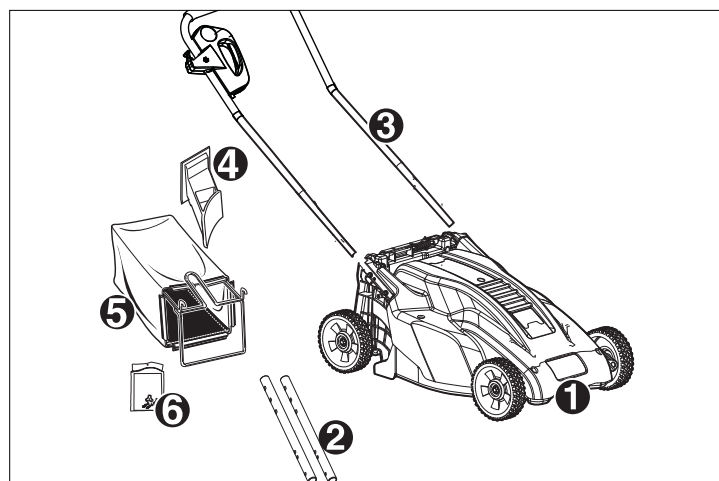
### INSTRUCCIONES PARA EL ENSAMBLAJE ANTES DE ARMAR SU PODADORA, VERIFIQUE QUE HAYA RECIBIDO LO SIGUIENTE EN LA CAJA DE ENVÍO.

1. Podadora
2. Secciones del mango inferior
3. Mango superior
4. Pieza para mantillo (dentro de la podadora, bajo la puerta trasera)
5. Bolsa colectora de césped y su marco correspondiente
6. Bolsa para accesorios

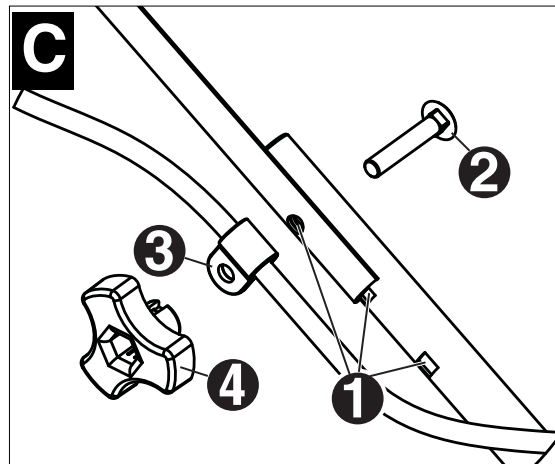
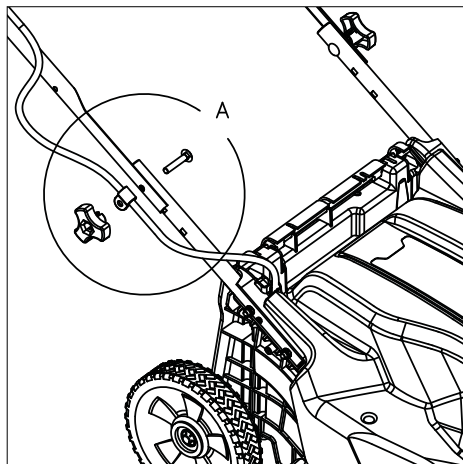
Herramientas que se requieren para el ensamblaje:  
Llave ajustable o de 13 mm (1/2 pulgada)

### ENSAMBLAJE DEL MANGO: (FIGURA B)

1. Alinee los orificios **redondos** de la sección del mango inferior (**B1**) con los dos espárragos roscados (**B2**) de la pared lateral de la plataforma.
2. Empuje la sección del mango completamente sobre los espárragos.
3. Enrosque dos tuercas de seguridad (**B3**) y ajústelas con una llave de 13 mm (1/2 pulgada). Repita el proceso para el otro lado.



- Deslice el mango superior de una pieza dentro de una de las 3 posiciones de ajuste (C1), alineando los orificios de los mangos superior e inferior. **NOTA: Ajuste en este momento la posición del mango según su preferencia de altura. Es posible que los usuarios más altos prefieran el mango ensamblado como se muestra en la Figura C, en tanto que los usuarios más bajos prefieran ajustar el mango superior en una de las dos posiciones de ajuste de altura restantes.**



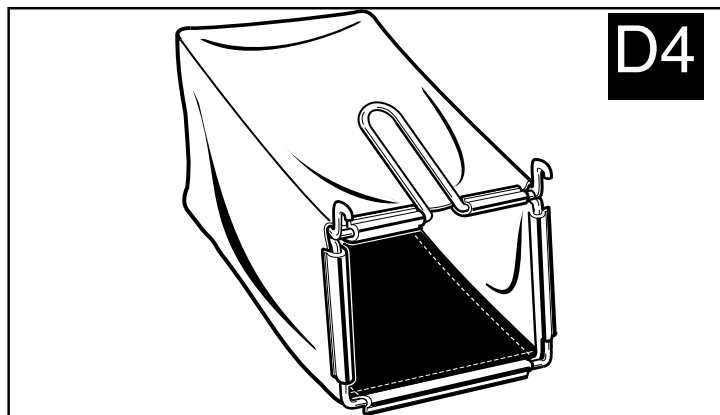
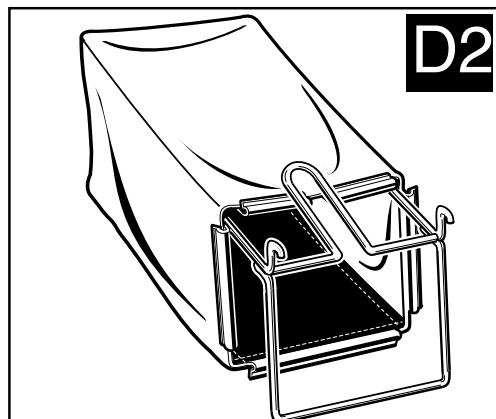
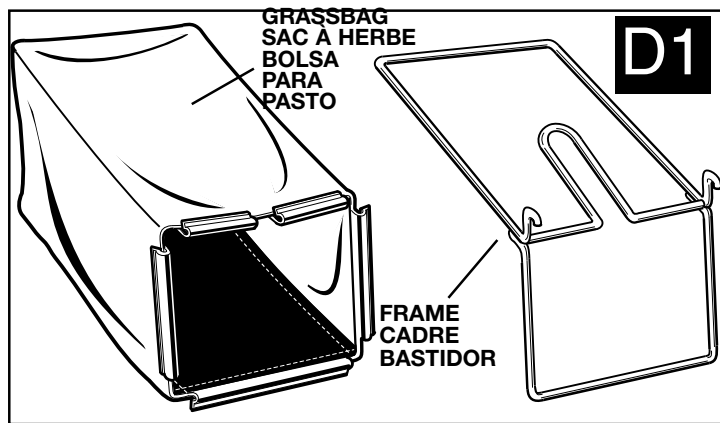
- Inserte el perno de soporte (C2) hasta que la cabeza del perno se asiente por completo contra el mango.

- Alinee el dispositivo de retención del cable (C3) con el perno de soporte.

Instale la perilla (C4), ajustándola firmemente. Las perillas siempre deben estar en la parte exterior de los mangos para evitar que interfieran con la puerta trasera y la bolsa recolectora de césped. Inserte el perno de soporte e instale la perilla para el otro lado.

### ENSAMBLADO DEL RECOLECTOR DE CÉSPED (FIGURAS D1, D2, D3, D4)

- Antes de comenzar a ensamblar la bolsa recolectora de césped en el marco, verifique que ambos sean similares a la Figura D1.
- Deslice la bolsa recolectora de césped sobre el marco como se muestra en la Figura D2, asegurándose de que la bolsa esté bajo el mango del marco.
- Ensamble los sujetadores superiores en el marco como se muestra en la Figura D3, luego los dos sujetadores laterales y por último el sujetador inferior.
- En la Figura D4, se muestra el recolector de césped totalmente armado.

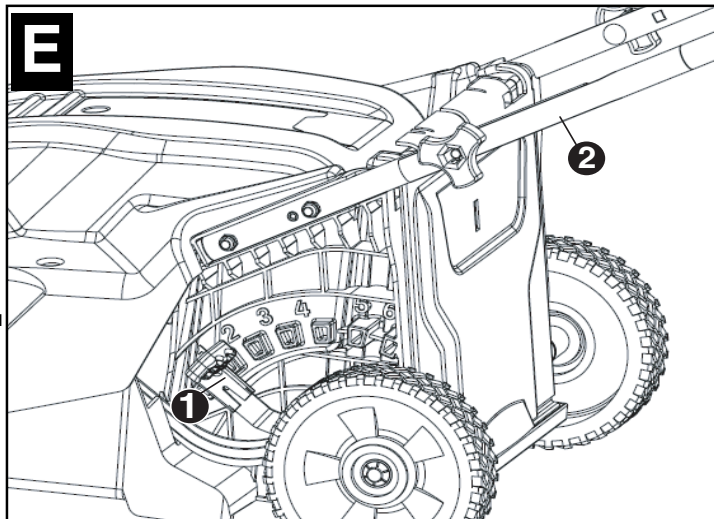


## **AJUSTE DE ALTURA DE LAS RUEDAS DE 32 MM (1-1/4 PULGADAS) A 89 MM (3-1/2 PULG.)**

### **FIGURA E**

**NOTA:** Es posible que ciertos tipos de césped o estados de césped requieran variar la altura de la plataforma de la podadora.

1. Antes de realizar cualquier ajuste, apague la podadora, espere que la hoja se detenga y desenchufe la unidad.
2. La podadora posee el sistema de ajuste de altura de las ruedas de Black & Decker mediante palanca simple. Este sistema ajustará las cuatro ruedas al mismo tiempo. La podadora se ajusta de 32 mm (1-1/4 pulgadas) a 89 mm (3-1/2 pulgadas) con seis incrementos que están marcados en la unidad.
3. Coloque su mano izquierda sobre el mango de ajuste de altura **E1** y su mano derecha sobre la parte inferior del mango principal **E2**.
4. Separe el mango de ajuste de altura (**E1**) de la podadora y vuelva a ponerlo en la posición de ajuste de altura deseada. Si se gira el mango de ajuste de altura hacia la parte delantera de la podadora la altura de corte disminuye y si se gira hacia la parte trasera la altura de corte aumenta.



## **RECOMMENDED APPROXIMATE CUTTING HEIGHT RECOMENDACIÓN DE ALTURA DE CORTE**

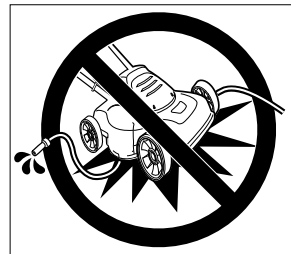
### **APROXIMADA**

La recomendación de la altura de corte debe ser más alta para clima más templado y más baja para áreas con sombra y para la última poda antes del invierno. Siga la regla de 1/3; nunca corte más de un 1/3 de la altura total del césped. Si el césped está demasiado alto para la aplicación de esta regla, aumente la altura de corte antes de podar y luego redúzcala a la altura deseada y vuelva a podar nuevamente aproximadamente después de un día.

### **INSTRUCCIONES DE OPERACIÓN**

**NOTA:** Una podadora es un aparato eléctrico grande y no debe ser operado en forma simultánea con otros aparatos eléctricos grandes en el mismo circuito de la casa.

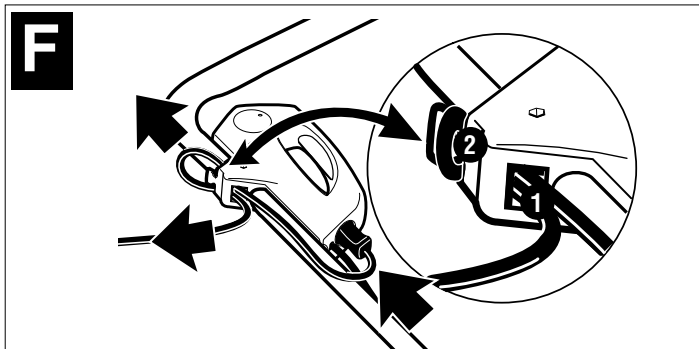
**⚠ ADVERTENCIA:** Asegúrese de que las demás personas y mascotas estén a no menos de 30,5 m (100 pies) de distancia. Quite todas las piedras, palos, alambres, juguetes, huesos y demás desechos u objetos que puedan ser arrojados por las hojas giratorias.



### **CONEXIÓN DEL CABLE PROLONGADOR A LA PODADORA (FIGURA F)**

**NO** conecte el cable prolongador a la fuente de alimentación hasta que no haya leído este manual y esté listo para comenzar a cortar el césped.

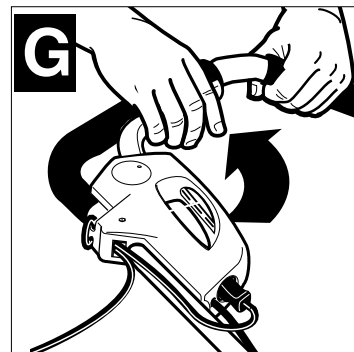
1. El cable prolongador debe ser polarizado y enchufa de una sola manera; oriente la ranura ancha con la hoja ancha en la carcasa del interruptor.
2. Forme un bucle con el cable prolongador y empuje el bucle hacia arriba, a través del orificio en la carcasa del interruptor.
3. Tire del cable prolongador en el extremo del bucle que está enchufado en la carcasa del interruptor y quite todo el remanente de esta sección del cable prolongador.
4. Coloque el bucle sobre la lengüeta de alivio de tensión en la carcasa del interruptor y tire del cable prolongador de forma que el bucle descienda alrededor de la lengüeta de alivio de tensión, como se muestra en el detalle. Controle no haber aflojado el cable prolongador.



### **USO DEL INTERRUPTOR (FIGURA G)**

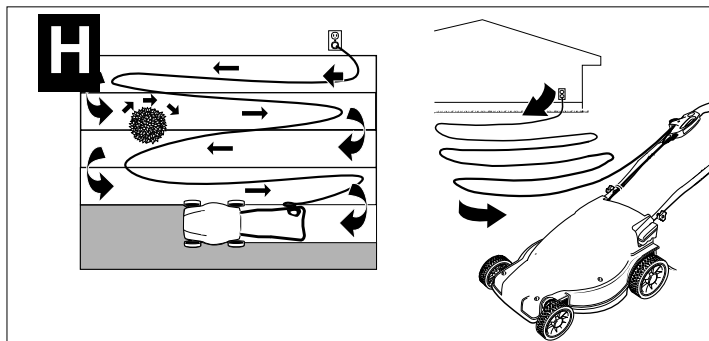
Su podadora está equipada con un interruptor especial. Para operar el interruptor, inserte un dedo en la apertura (Figura 6) y empuje la palanca hacia afuera de modo que pueda agarrarla con la otra mano. Para encender la unidad, tire de la palanca hacia atrás y sosténgala contra el mango de la podadora para mantenerla en funcionamiento. Para apagar la podadora, sólo libere la palanca. La palanca a resorte de ACCIÓN RÁPIDA apagará la podadora de inmediato.

**⚠ ADVERTENCIA:** NUNCA INTENTE ANULAR LA OPERACIÓN DE ESTE INTERRUPTOR.



## TENDIDO DEL CABLE PROLONGADOR AL TOMACORRIENTE (FIGURA H)

1. Coloque la mayor parte del cable prolongador cerca del tomacorriente eléctrico, fuera del paso de la podadora. Conecte el cable prolongador a la podadora.
2. Comience en la dirección donde el lado del cable prolongador de la podadora esté más cerca del tomacorriente. Comience a cortar el césped en el área más cercana al tomacorriente y con un movimiento hacia adelante y hacia atrás. Observe que el cable esté fuera del área de corte y del camino de la podadora.
3. Evite cortar el césped en círculos, ya que será más difícil manejar el cable.



## PROTECCIÓN Y PUERTA TRASERA DE SEGURIDAD (FIGURA I)

Esta protección de seguridad I-1 está diseñada para minimizar el riesgo de que la hoja expulse piedras u otros objetos hacia atrás desde la parte inferior de la plataforma de la podadora. La protección y la puerta trasera sirven para reducir al mínimo la posibilidad de contacto accidental de los pies con la hoja NO haga funcionar la podadora si no tiene la protección y la puerta trasera de seguridad colocados en su lugar.

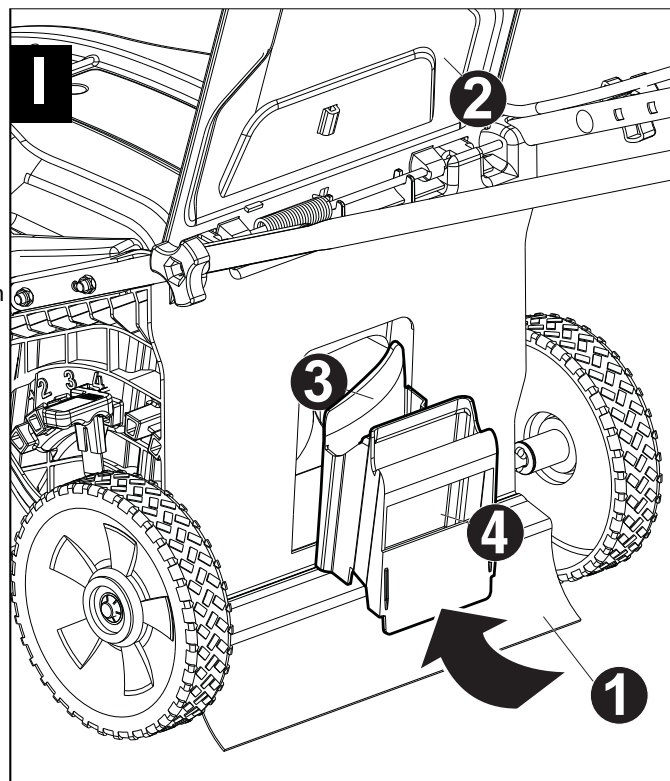
**⚠ PELIGRO: Hoja móvil filosa.** Por su propia seguridad, NO utilice esta podadora si la bolsa colectora de césped o la pieza para mantillo no están colocados en su posición, de lo contrario, se pueden producir lesiones graves.

**⚠ PELIGRO: Hoja móvil filosa.** No haga funcionar la podadora si la puerta trasera no está cerrada a presión por resorte, de lo contrario, se pueden producir lesiones graves. Lleve la podadora al centro de mantenimiento más cercano para su reparación.

## CÓMO RETIRAR LA PIEZA PARA MANTILLO (FIGURA I)

Para quitar la pieza para mantillo I-3 para poder embolsar el césped o descargarlo mediante el conducto de descarga opcional, siga los pasos a continuación:

1. Apague la podadora, espere que la hoja se detenga y desenchufe la unidad.
2. Levante la puerta de descarga trasera (I-2) y sosténgala en esa posición.
3. Coloque la mano en la cavidad del mango (I-4), según se muestra, levante la pieza para mantillo (I-3) y tire hacia afuera para sacarla por completo.
4. La puerta de descarga trasera se acciona por resorte. Cuando la suelte, volverá a la posición de cerrado.



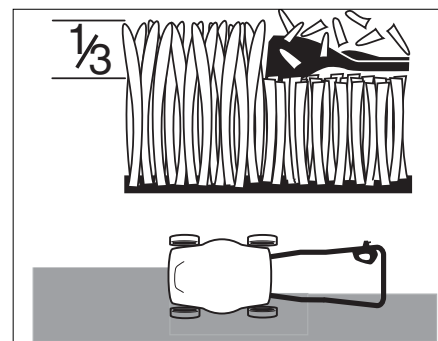
## CÓMO INSTALAR LA PIEZA PARA MANTILLO

1. Repita los pasos 1 y 2 indicados para retirar la pieza.
2. Ahora deslice la pieza (I-3) en la abertura de descarga hasta que se asiente en firme con la plataforma.
3. Suelte la puerta trasera y verifique que cierre correctamente.

## CONSEJOS PARA DESBROZAR

En la configuración de desbroce, su podadora nueva está diseñada para volver a cortar los recortes de césped en pedazos más cortos. Estos recortes de césped, que se dispersan a medida que corta el césped, se biodegradan rápidamente y proveen nutrientes al césped.

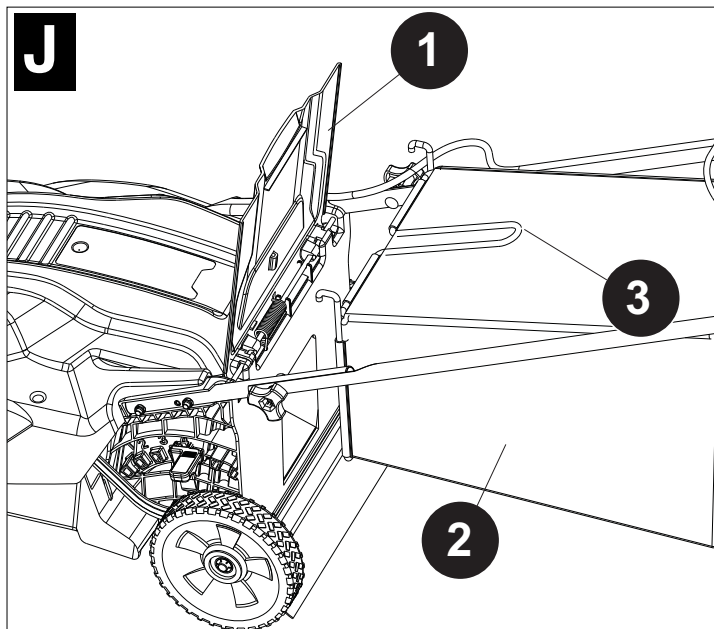
- Cuando corte el césped en suelos escabrosos o con malezas altas, configure la podadora en la mayor altura de corte.
- No corte el césped si está mojado. Con la acción de desbroce, el pasto mojado tiende a formar terrones. El mejor momento para cortar el césped es la tarde.
- Para obtener los mejores resultados, ajuste la altura de corte de la podadora de modo que corte el tercio superior de las hojas de césped.
- Si el césped está muy crecido, es posible que sea necesario que aumente la altura de corte para reducir el efecto de empuje y evitar sobrecargar el motor.
- Para un desbroce muy espeso, haga cortes más angostos y corte el césped más despacio.
- Cambie el patrón de corte de una semana a otra. Corte el césped de norte a sur una semana y de este a oeste la siguiente. Esto evitará el mateado y veteado del césped.



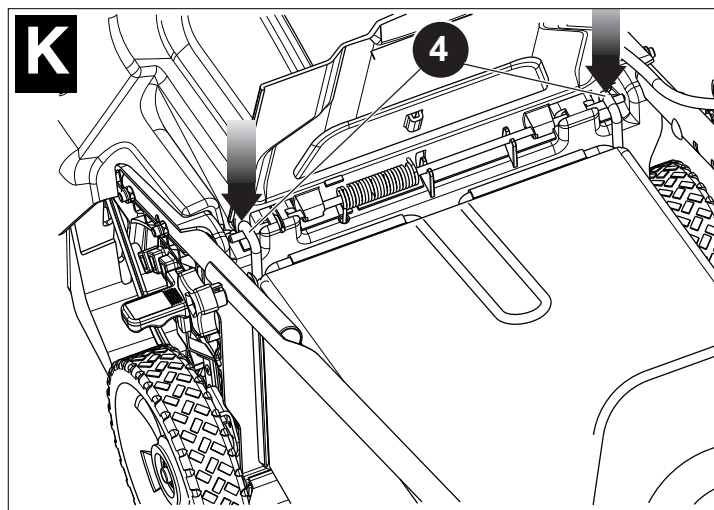


## **CÓMO INSTALAR EL RECOLECTOR DE CÉSPED (FIGURAS J, K)**

1. Apague la podadora, espere que la hoja se detenga y desenchufe la unidad.
2. Estire la mano hasta alcanzar la parte inferior de las manijas de la podadora, levante la puerta de descarga trasera (**J-1**) hasta una posición vertical y sostenga la puerta en esta posición. Verifique que se haya extraído la pieza para mantillo (**I-3**).
3. Tome el recolector de césped (**J-2**) por el mango (**J-3**) y colóquelo entre los mangos de la podadora, según se muestra.



4. Coloque el gancho del recolector de césped (**K-4**) sobre la podadora como se muestra en la **Figura K**. Suelte la puerta de descarga trasera.



### **EMBOLSADO**

Se recomienda embolsar los recortes de pasto en el primer podado de primavera y en el último podado de la temporada para desalentar las enfermedades.

1. Es preferible embolsar los recortes algunas veces para disminuir el desplazamiento de estos recortes a piscinas, tinas y al interior de la casa.
2. Los recortes se pueden añadir a su depósito de composta y utilizarse posteriormente como fertilizante natural.

### **LIMPIEZA Y ALMACENAMIENTO**

**⚠ PELIGRO: : Asegúrese de que la podadora esté desenchufada y de que la hoja se haya detenido.**

Antes de guardar la podadora, quite y limpie los desechos de la parte externa de la podadora y del interior del protector. Guarde bajo cubierta. Vea la sección de MANTENIMIENTO.

La limpieza de la parte inferior de la podadora se realiza con mayor facilidad inmediatamente después de cortar el césped. **(ASEGÚRESE DE QUE LA PODADORA ESTÉ DESENCHUFADA Y DE QUE LA HOJA SE HAYA DETENIDO)**. Para limpiar los recortes de césped apelmazados puede usar un trapo, papel de diario arrugado o toallas de papel. Tenga cuidado con los bordes filosos de la hoja.

Una plataforma para cortar el césped limpia mejora la eficiencia de la hoja y mantiene un rendimiento elevado. Cuando realice la limpieza, **NO** sumerja la podadora en agua ni la rocíe con una manguera o lavadora a presión. Para limpiar la podadora, sólo utilice jabón suave y un paño húmedo. Nunca permita que penetre líquido dentro de la podadora ni sumerja ninguna de las piezas en un líquido.

**NOTA:** No guarde la podadora sobre o cerca de fertilizantes o productos químicos. Esa forma de almacenamiento puede causar la rápida corrosión de las piezas de metal.

### **CÓMO EVITAR LA CORROSIÓN**

Los fertilizantes y otros productos químicos de jardinería contienen agentes que aceleran considerablemente la corrosión de los metales. Si usa la podadora en áreas donde se han usado fertilizantes o químicos, limpie la podadora inmediatamente después de usarla.

Limpie todas las piezas expuestas con un paño húmedo. Las piezas de metal se pueden lubricar con un aceite liviano a base de petróleo. No lubrique las ruedas.

## MANTENIMIENTO

Después de cada sesión de corte, desenchufe la podadora y asegúrese de que la hoja se haya detenido. Controle todas las tuercas, los pernos y los tornillos para corroborar que estén bien ajustados. Asegúrese de controlar el sistema de sujeción de la hoja.

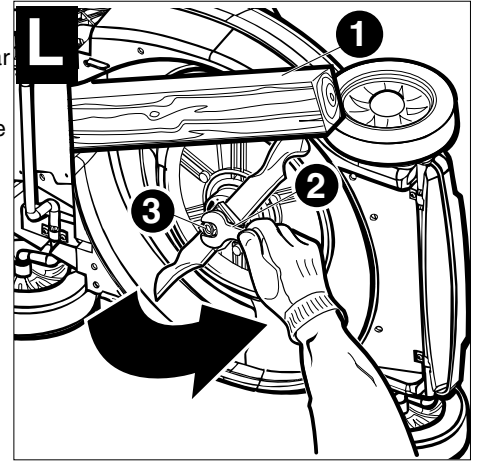
**IMPORTANTE:** para asegurar la SEGURIDAD y la CONFIABILIDAD del producto, las reparaciones, el mantenimiento y los ajustes se deben realizar en los centros de mantenimiento autorizados o con otro personal de mantenimiento calificado. Utilice sólo piezas de repuesto idénticas.

Examine y limpie minuciosamente la podadora al comienzo de cada sesión de corte para prolongar la vida útil y mejorar el rendimiento.

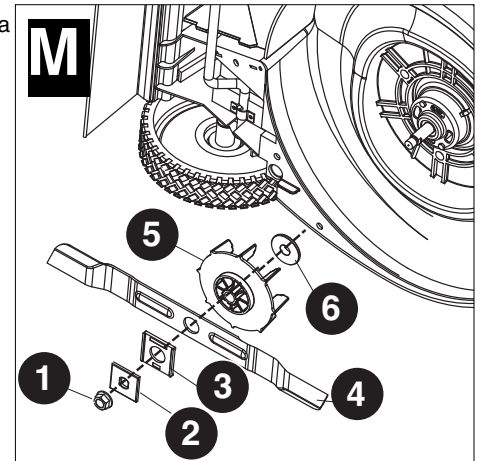
De vez en cuando, apague la podadora y espere que la hoja se detenga. Luego, desenchufe el cable eléctrico y vuelque la podadora de lado. Con un objeto como un palo un trapo, limpie cualquier acumulación de césped en el área de la hoja. También limpie el césped o los desechos que puedan estar acumulados alrededor del área de la puerta de desbroce/descarga. Tenga cuidado con los bordes filosos de la hoja.

### EXTRACCIÓN E INSTALACIÓN DE LA HOJA (FIGURAS L, M, N)

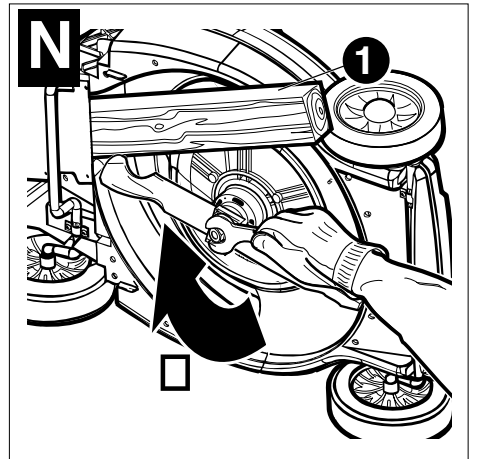
1. SUELTE LA PALANCA DEL INTERRUPTOR PARA APAGAR LA PODADORA, ESPERE QUE LA HOJA SE DETENGA Y DESENCHUFE LA UNIDAD.
2. Corte un trozo de madera de 2 x 4 (**L-1**) (aproximadamente 0,61 m [2 pies] de largo) para evitar que la hoja gire al retirar la tuerca de brida.
3. Voltee la podadora sobre su costado. Use guantes y protección adecuada para los ojos. Tenga cuidado con los bordes filosos de la hoja. Coloque el trozo de madera (**L-1**) y retire la tuerca de brida (**L-3**) con una llave de 19 mm (3/4 pulgada) (**L-2**) como se muestra en la **Figura L**.



4. Retire el espaciador metálico cuadrado de la hoja (**M-2**), el aislador plástico cuadrado de la hoja (**M-3**) y la hoja (**M-4**) como se muestra en la **Figura M**. Examine si el aislador de la hoja presenta daños y reemplácelo si es necesario.
5. Cuando vuelva a colocar una hoja afilada o nueva en el resalto del ventilador (**M-5**), asegúrese de que la inscripción "GRASS SIDE" (lado del césped) mire hacia el suelo al devolver la podadora a su posición vertical normal. Después de instalar la hoja (**M-4**), coloque el aislador plástico de la hoja (**M-3**) sobre la hoja de modo que los rebordes elevados de un lado enganchen con los bordes de la hoja. Luego, instale el espaciador de la hoja (**M-2**) de modo que se apoye dentro de los rebordes elevados en el otro costado del aislador de la hoja. Asegúrese de alinear las partes planas del orificio del espaciador de la hoja con las partes planas del eje, girando en conjunto la hoja y el aislador de la hoja, según sea necesario.



6. Ubique la pieza de madera (**N-1**) para impedir que la hoja gire, tal como muestra la **Figura N**. Coloque la tuerca colocando su brida contra el espaciador y ajuste con firmeza.



## CÓMO AFILAR LA HOJA (FIGURA O)

PARA LOGRAR UN RENDIMIENTO ÓPTIMO DE SU PODADORA, SIEMPRE MANTENGA LA HOJA AFILADA. UNA HOJA DESAFILADA NO PRODUCE UN CORTE LIMPIO DEL CÉSPED NI CORTES ADECUADOS PARA MANTILLO.

UTILICE PROTECCIÓN OCULAR APROPIADA PARA EXTRAER, AFILAR E INSTALAR LA HOJA. VERIFIQUE QUE SE HA RETIRADO LA LLAVE DE SEGURIDAD.

En situaciones normales, por lo general, es suficiente afilar la hoja dos veces durante la temporada de corte. La arena hace que la hoja se desafilé rápidamente. Si su terreno es de suelo arenoso, probablemente sea necesario afilarla con más frecuencia.

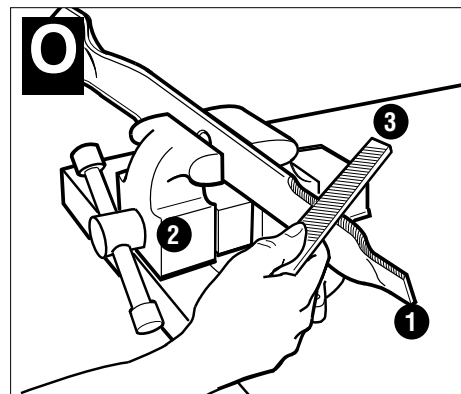
SI LA HOJA ESTÁ CURVADA O DAÑADA, REEMPLÁCELA DE INMEDIATO.

### RECOMENDACIONES PARA EL AFILADO DE LA HOJA:

1. Verifique que la hoja esté balanceada.
2. Afíle la hoja según el ángulo de corte original.
3. Afíle los bordes de corte en ambos extremos de la hoja, retire la misma cantidad de material en ambos extremos.

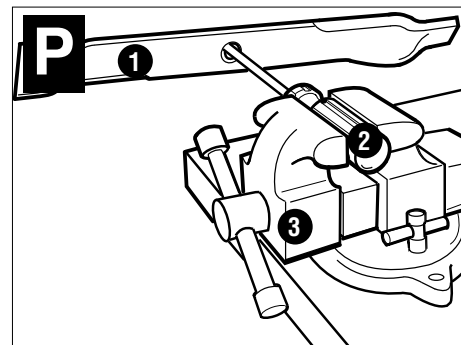
### PARA AFILAR LA HOJA EN UNA PRENSA:

1. Asegúrese de que la podadora esté desenchufada antes de retirar la hoja.
2. Quite la hoja de la podadora. Consulte las instrucciones para retirar e instalar la hoja.
3. Asegure la hoja (O-1) en la prensa (O-2).
4. Use guantes y una protección ocular apropiada, preste atención para no lastimarse.
5. Lime con cuidado los bordes cortantes de la hoja utilizando una lima de dientes finos (O-3) o una piedra de afilar, conserve siempre el borde de corte original.
6. Verifique que la hoja esté balanceada. Consulte las instrucciones de balanceo.
7. Vuelva a colocar la hoja en la podadora y ajuste con firmeza.



## BALANCEO DE LA HOJA

Verifique el balanceo de la hoja: Ubique el agujero central (P-1) a través de un clavo o de un destornillador de cuerpo redondo (P-2), previamente asegurados en la prensa (P-3) en dirección horizontal. Si alguno de los extremos de la hoja rota hacia abajo, lime ese extremo. La hoja está bien balanceada cuando ninguno de los extremos rota hacia abajo.



## POSICIÓN DE ALMACENAMIENTO

Para un almacenamiento más compacto, la podadora puede guardarse en posición vertical, con el mango plegado como se muestra en la Figura Q. Asegúrese de que la podadora esté desenchufada antes de guardarla. Afloje las dos perillas inferiores (Q-1) y baje la sección del mango (Q-2) a su posición. Tenga cuidado de no pellizcar el cable de alimentación. Ajuste las dos perillas inferiores y ponga la podadora en posición vertical de modo que se apoye sobre el mango y las ruedas traseras con el lado de la hoja contra una pared.

**⚠ PRECAUCIÓN:** Punto de pliegue. Para evitar pellizcos, mantenga los dedos lejos del área entre los mangos al bajarlos.

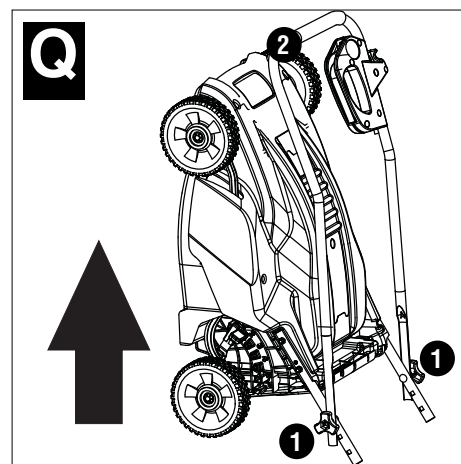
### LUBRICACIÓN:

No se requiere lubricación. No aceite las ruedas. Las ruedas tienen superficies de rodamientos plásticas que no requieren lubricación.

### ACCESORIOS:

Los accesorios que se recomiendan para la herramienta están disponibles en su distribuidor local o en el centro de mantenimiento autorizado. Si necesita asistencia en relación con los accesorios, por favor llame al **1-800-544-6986**.

**⚠ ADVERTENCIA:** El uso de accesorios no recomendados para utilizar con esta herramienta puede resultar peligroso.



p/n 90550646 PIEZA PARA MANTILLO  
p/n 242867-00 CONDUCTO DE DESCARGA LATERAL  
p/n 242501-05 BOLSA RECOLECTORA DE CÉSPED DE REPUESTO  
HOJA DE REPUESTO MB-075 SÓLO PARA MODELOS TIPO 1  
HOJA DE REPUESTO MB-1800 PARA TODOS LOS MODELOS SALVO EL TIPO 1

## INFORMACIÓN DE MANTENIMIENTO

Todos los Centros de servicio de Black & Decker cuentan con personal altamente capacitado dispuesto a brindar a todos los clientes un servicio eficiente y confiable en la reparación de herramientas eléctricas. Si necesita consejo técnico, reparaciones o piezas de repuesto originales de fábrica, póngase en contacto con el centro de servicio de Black & Decker más cercano a su domicilio. Para ubicar su centro de servicio local, consulte la sección "Herramientas eléctricas" (Tools-Electric) de las páginas amarillas, llame al **1-800-544-6986** o visite nuestro sitio [www.blackanddecker.com](http://www.blackanddecker.com).

## GARANTÍA COMPLETA DE DOS AÑOS PARA USO EN EL HOGAR

Black & Decker (Estados Unidos) Inc. ofrece una garantía de dos años por cualquier defecto del material o de fabricación de este producto. El producto defectuoso se reparará o reemplazará sin costo alguno de dos maneras.

La primera opción, el reemplazo, es devolver el producto al comercio donde se adquirió (siempre y cuando se trate de un comercio participante). Las devoluciones deben realizarse conforme a la política de devolución del comercio (generalmente, entre 30 y 90 días posteriores a la venta). Le pueden solicitar comprobante de compra. Consulte en el comercio acerca de la política especial sobre devoluciones una vez excedido el plazo establecido.

La segunda opción es llevar o enviar el producto (con flete pago) a un Centro de servicio propio o autorizado de Black & Decker para su reparación o reemplazo según nuestro criterio. Le pueden solicitar el comprobante de compra. Los Centros de servicio autorizados y de propiedad de Black & Decker se detallan en la sección

"Herramientas eléctricas" (Tools-Electric) de las páginas amarillas de la guía telefónica.

Esta garantía no se extiende a los accesorios. Esta garantía le concede derechos legales específicos; usted puede tener otros derechos que pueden variar según el estado o la provincia. Si tiene alguna pregunta, comuníquese con el gerente del Centro de servicio de Black & Decker de su zona. Este producto no está diseñado para uso comercial.

**AMÉRICA LATINA:** esta garantía no se aplica a los productos que se venden en América Latina. Para los productos que se venden en América Latina, debe consultar la información de la garantía específica del país que viene en el empaque, llamar a la compañía local o visitar el sitio Web a fin de obtener esa información.

## Garantía en la cubierta

Garantía de por vida para la CUBIERTA únicamente contra cualquier defecto en el material o mano de obra.

# GUÍA DE SOLUCIÓN DE PROBLEMAS

### PROBLEMA

- El motor no arranca

- El motor sigue funcionando despacio

- Funciona pero corta

- Exceso de vibración

- La podadora no se puede mover con facilidad

-La podadora deja terrones de césped

-Taponamiento de la bolsa o el conducto de descarga

### MEDIDA CORRECTIVA

- Controle el fusible o el interruptor automático para asegurar que llegue corriente al tomacorriente.
- Controle el cable prolongador con otro dispositivo eléctrico para asegurar que funcione.
- Llame al representante de atención al cliente al (55) 5326 7100

- La parte inferior de la podadora puede estar taponada con recortes de césped. Apague la podadora, espere que la hoja se detenga, desenchufe la podadora y límpiela.
- Es posible que el césped esté muy alto. Intente empujar a un ritmo más lento o aumente la altura de corte.
- Controle el filo y el equilibrio de la hoja y, de ser necesario, corrija.

- Apague la podadora, espere que se detenga la hoja, desenchufe la unidad y aumente la altura de corte.
- Es posible que la hoja esté desafilada. Apague la podadora, poco espere que la hoja se detenga, DESENCHUFE la podadora y verifique con cuidado el filo de la hoja.

- Es posible que la hoja esté dañada (doblada o muy astillada). Apague la podadora, espere que la hoja se detenga, DESENCHUFE la podadora y, de ser necesario, reemplace la hoja.
- Es posible que el césped sea muy alto o espeso para la altura de corte. Apague la podadora, espere que la hoja se detenga, DESENCHUFE la podadora y aumente la altura de corte.

- Es posible que la hoja esté floja. Apague la podadora, espere que la hoja se detenga, DESENCHUFE la podadora y verifique si la hoja está bien ajustada.
- Es posible que la hoja esté doblada o muy astillada. Apague la podadora, espere que la hoja se detenga, desenchufe la podadora y, de ser necesario, reemplace la hoja.
- Es posible que la hoja no esté nivelada. Consulte la sección de nivelado de la hoja del manual de instrucciones.

- La podadora está muy cerca del suelo con respecto a la cantidad de césped que se desea cortar. Apague la podadora, espere que la hoja se detenga, DESENCHUFE la podadora y aumente la altura de corte.

- Apague la podadora, espere que la hoja se detenga, DESENCHUFE la podadora y verifique que las ruedas y los ejes giren con facilidad.

- Apague la podadora, espere que la hoja se detenga, DESENCHUFE la podadora y verifique que las ruedas afiladas.
- Es posible que el césped esté muy mojado para cortarlo. Espere que el césped se seque.

- Es posible que el césped esté muy mojado. Vuelva a intentar cuando se seque.
- Hay demasiado césped. Apague la podadora, espere que la hoja se detenga, DESENCHUFE la podadora y aumente la altura de corte.

**A CONTINUACIÓN, LE BRINDAMOS ALGUNOS CONSEJOS ÚTILES PARA APROVECHAR AL MÁXIMO SU PODADORA BLACK & DECKER... Y CONSERVAR SU CÉSPED EN PERFECTAS CONDICIONES**

1. El primer corte se debe realizar en primavera cuando el césped tiene aproximadamente 63 mm (2 1/2 pulg.) o 76 mm (3 pulg.) de alto. De lo contrario, si se corta el césped demasiado temprano, se limitan los sistemas radiculares que se autorenievan en cada primavera. El césped nuevo se debe cortar cuando alcanza una altura de 63 mm (2 1/2 pulg.).
2. No corte el césped de una altura excesiva de una sola vez... la pauta a seguir es no cortar nunca más de 1/3 de la altura de la hoja durante cada sesión de corte. El corte de césped demasiado corto da como resultado un sistema radicular de poca profundidad, lo que hace que el césped tenga dificultades para alcanzar el agua del suelo.
3. Los especialistas en césped indican que el corte excesivamente corto es la causa de muchas de las dificultades que se observan en el crecimiento de céspedes. La profundidad y la fortaleza de las raíces tienen una relación directamente proporcional al crecimiento. Los céspedes maduros con frecuencia sufren daños importantes cuando se los corta a una altura menor de 38 mm (1 1/2 pulg.) y en los terrenos más extensos es conveniente respetar una altura entre 38 mm (1 1/2 pulg.) y 50 mm (2 pulg.).
4. Corte el césped cuando está seco para evitar la compactación del césped húmedo. Si puede elegir, la última hora de la tarde es la hora ideal para cortar el césped, no sólo porque el pasto está seco sino porque además el área recientemente cortada no queda expuesta a la intensa luz solar.
5. Para lograr un corte limpio, mantenga la hoja de corte afilada. Esto optimiza el rendimiento de la podadora y realza el aspecto de su césped. Una hoja sin filo destroza y lastima las puntas del césped, así se perjudica el crecimiento saludable y se incrementa su sensibilidad a desarrollar enfermedades. Las puntas lastimadas producen un color amarronado que otorgan al césped un aspecto poco saludable. Una hoja sin filo también puede desenterrar las plantas recién nacidas.
6. Trate de cortar el césped siempre a la misma altura de corte (corte uniforme). Si bien hay momentos en que debe variar la altura de corte debido al cambio de estaciones, también, respetar una altura de corte uniforme, produce un césped más sano, de mejor aspecto y con menor cantidad de malezas. Corte el césped más frecuentemente durante los períodos de crecimiento rápido. El corte frecuente garantiza que la porción inferior, menos atractiva del césped no sea visible.
7. Si su césped ha crecido a una altura excesiva (por ejemplo, las vacaciones pueden ocasionar la interrupción de su programa de cortes), realice el corte con una altura una o dos posiciones más altas que la posición habitual. Una segunda pasada con una altura de corte normal unos días más tarde, será suficiente para volver al programa de corte habitual. El cambio de la altura de corte es sumamente sencillo gracias al sistema Black & Decker de ajuste de altura de ruedas de un solo toque, este sistema permite ajustar las cuatro ruedas de una sola vez.
8. Durante la primavera y el otoño, (o después de una interrupción del programa de cortes), el césped estará más largo y más tupido. Si percibe que el motor reduce su velocidad continuamente durante la sesión de corte, intente ajustar las ruedas a una altura mayor de corte. La carga excesiva del motor puede producir cortes dispares y provocar que se accione el interruptor automático de la casa, lo que detendrá el motor.
9. Tres buenas ideas para realzar el aspecto del césped: Varíe la dirección de corte con frecuencia, corte en dirección horizontal en las laderas (esto es también una buena práctica de seguridad) y no se olvide de solapar el recorrido de corte en cada pasada.
10. Siempre corte el césped para que los recortes se descarguen sobre el terreno. De esta manera, el césped tendrá un aspecto siempre fresco al evitarse la acumulación de "césped cortado" que a su turno tomará una coloración marrón y dará un aspecto descuidado.

**· GARANTÍA BLACK & DECKER · BLACK & DECKER WARRANTY  
· SOLAMENTE PARA PROPOSITOS DE MEXICO**

---

Distributor Name · *Sello firma del distribuidor*

---

Date of purchase · *Fecha de compra*                      *Invoice No. · No. de factura*

---

**PRODUCT INFORMATION · IDENTIFICACIÓN DEL PRODUCTO**

Cat. No. · *Catalogo ó Modelo*                      *Serial Number · No. de serie*

---

Name · *Nombre*    *Last Name · Apellido*

---

Address · *Dirección*

---

City · *Ciudad*    *State · Estado*

---

Postal Code · *Código Postal*                      *Country · País*

---

Telephone · *No. Teléfono*

---

**2 AÑOS DE GARANTIA**

Este producto cuenta con dos años de garantía a partir de la fecha de compra contra cualquier defecto de su funcionamiento, así como cualquier falla debido a materiales empleados para su fabricación ó mano de obra defectuosa. Nuestra garantía incluye la reparación o reposición del producto y/o componentes sin cargo alguno para el cliente incluyendo la mano de obra, esta incluye los gastos de trasportación erogados para lograr cumplimiento de esta garantía en los domicilios diversos señalados. Para hacer efectiva esta garantía deberá presentar su herramienta y esta póliza sellada por el establecimiento comercial donde se adquirió el producto. Nos comprometemos a entregar el producto en un lapso no mayor a 30 días hábiles contados a partir de la fecha de recepción del mismo en nuestros talleres de servicio autorizados.

**ESTA GARANTIA NO APLICA CUANDO:**

El producto se hubiese utilizado en condiciones distintas a las normales.  
El producto no hubiese sido operado de acuerdo con el instructivo de uso que se acompaña.  
El producto hubiese sido alterado o reparado por personas no autorizadas por nosotros.

Importador: Black & Decker S.A. de .C.V  
Bosque de Cidros Acceso Radiatas No.42  
3ra.Seccion de Bosques de las lomas  
C.P.05120, Mexico, D.F. Tel: (01 55) 5326 7100

**SOLAMENTE PARA PROPOSITOS DE MEXICO**

**Grupo Realsa en herramientas,**

**S.A. de C.V.**

Súper Manzana 69 MZ.01 Lote 30  
(Av. Torcasita)  
Col. Puerto Juárez  
Cancún, Quintana Roo  
Tel. 01 998 884 72 27

**Ferre Pat de Puebla, S.A. de C.V.**

16 de Septiembre No. 6149  
Col. El Cerrito  
Puebla, Puebla  
Tel. 01 222 264 12 12

**Ferre Pat de Puebla, S.A. de C.V.**

Ejército Mexicano No. 15  
Col. Ejido 1ro. de Mayo  
Boca del Rio, Veracruz  
Tel. 01 229 167 89 89

**Servicio de Fabrica Black & Decker,**

**S.A. de C.V.**

Lázaro Cardenas No. 18  
Col. Obrera  
Distrito Federal  
Tel. 55 88 95 02

**Representaciones Industriales Robles,**

**S.A. de C.V.**

Tezozomoc No. 89  
Col. La Preciosa  
Distrito Federal  
Tel. 55 61 86 82

**Gpo. Comercial de Htas. y Refacciones  
de Occidente, S.A. de C.V.**

Av. La Paz No. 1779  
Col. Americana, S. Juárez  
Guadalajara, Jalisco  
Tel. 01 33 38 25 69 78

**Herramientas y Equipos Profesionales**

Av. Colón 2915 Ote.  
Col. Francisco I. Madero  
Monterrey, Nvo. León  
Tel. 01 81 83 54 60 06

**Htas. Portátiles de Chihuahua,  
S.A. de C.V.**

Av. Universidad No. 2903  
Col. Fracc. Universidad  
Chihuahua, Chihuahua  
Tel. 01 614 413 64 04

**Fernando González Armenta**

Bolivia No. 605  
Col. Felipe Carrillo Puerto  
Cd. Madero, Tampico  
Tel. 01 833 221 34 50

**Perfiles y Herramientas de Morelia**

Gertrudis Bocanegra No. 898  
Col. Ventura Puente  
Morelia, Michoacán  
Tel. 01 443 313 85 50

**Enrique Robles**

Av. de la Solidaridad No. 12713  
Col. La Pradera  
Irapuato, Guanajuato  
Tel. 01 462 626 67 39

**Hernández Martínez Jeanette**

Prolongación Corregidora Nte. No. 1104  
Col. Arboledas  
Queretaro, Qro.  
Tel. 01 442 245 25 80

**PARA OTRAS LOCALIDADES LLAME AL 01 800 847 2309 o 01 800 847 2312.**

**Vea "Herramientas  
eléctricas (Tools-Electric)"  
- Páginas amarillas -  
para Servicio y ventas**



**BLACK & DECKER S.A. DE C.V.  
BOSQUES DE CIDROS ACCESO RADIATAS NO. 42  
COL. BOSQUES DE LAS LOMAS.  
05120 MÉXICO, D.F.  
TEL. (01 55) 5326 7100  
01 800 847 2309/01 800 847 2312**





## Free Manuals Download Website

<http://myh66.com>

<http://usermanuals.us>

<http://www.somanuals.com>

<http://www.4manuals.cc>

<http://www.manual-lib.com>

<http://www.404manual.com>

<http://www.luxmanual.com>

<http://aubethermostatmanual.com>

Golf course search by state

<http://golfingnear.com>

Email search by domain

<http://emailbydomain.com>

Auto manuals search

<http://auto.somanuals.com>

TV manuals search

<http://tv.somanuals.com>