

BLACK & DECKER®

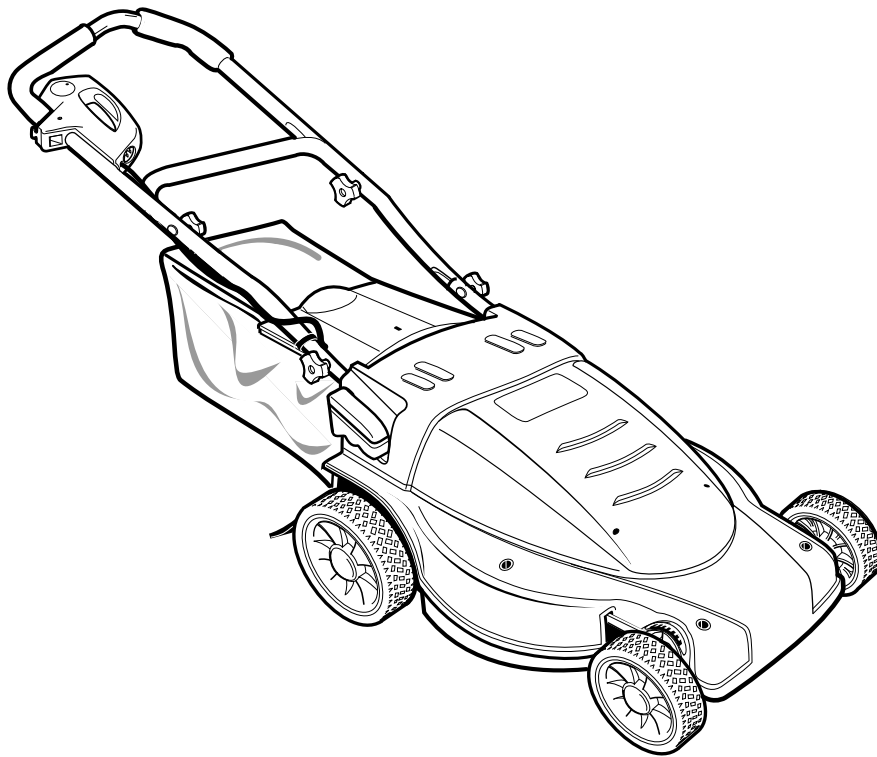


LAWN HOG

19" MULCHING MOWER

INSTRUCTION MANUAL

MM875



KEY INFORMATION YOU SHOULD KNOW:

- Lifetime 3 in 1 deck-Mulching, Bagging and Discharging (Chute sold separately).
- Do not operate mower unless handle is locked into position.
- For best cutting results, keep blade sharpened and balanced.
- Inspect and thoroughly clean your mower after each use (a deck with caked grass will degrade performance).
- Make sure mowing area is clear of other persons or pets prior to starting operation.


SAVE THIS MANUAL FOR FUTURE REFERENCE

BEFORE RETURNING THIS PRODUCT FOR ANY REASON PLEASE CALL 1-800-54-HOW-TO (544-6986)

IF YOU SHOULD EXPERIENCE A PROBLEM WITH YOUR BLACK & DECKER PRODUCT, CALL 1-800-54-HOW-TO (544-6986)

BEFORE YOU CALL, HAVE THE FOLLOWING INFORMATION AVAILABLE, CATALOG No., TYPE No., AND DATE CODE (e.g. 20000130M). IN MOST CASES, A **BLACK & DECKER** REPRESENTATIVE CAN RESOLVE YOUR PROBLEM OVER THE PHONE. IF YOU HAVE A SUGGESTION OR COMMENT, GIVE US A CALL. YOUR FEEDBACK IS VITAL TO BLACK & DECKER.


WARNING: Important Safety Warnings and Instructions

 **WARNING:** When using electric gardening appliances, basic safety precautions should always be followed to reduce risk of fire, electric shock, and personal injury, including the following.

READ ALL INSTRUCTIONS


TO REDUCE RISK OF INJURY:

- Before any use, be sure everyone using this tool reads and understands all safety instructions and other information contained in this manual.
- Save these instructions and review frequently prior to use and in instructing others.

 **WARNING:** Some dust created by this product contains chemicals known to the State of California to cause cancer, birth defects or other reproductive harm. Some examples of these chemicals are:

- compounds in fertilizers
- compounds in insecticides, herbicides and pesticides
- arsenic and chromium from chemically treated lumber

To reduce your exposure to these chemicals, wear approved safety equipment such as dust masks that are specially designed to filter out microscopic particles.

 **WARNING:** This product contains chemicals, including lead, known to the State of California to cause cancer, and birth defects or other reproductive harm. Wash hands after handling.

GENERAL SAFETY WARNINGS AND INSTRUCTIONS FOR ALL TOOLS

SAFETY WARNINGS AND INSTRUCTIONS: DOUBLE INSULATION

REPLACEMENT PARTS: When servicing use only identical Black & Decker replacement parts.

IMPORTANT SAFETY INSTRUCTIONS: POLARIZED PLUGS

To reduce the risk of electric shock, this equipment has a polarized plug (one blade is wider than the other).

This equipment must be used with a suitable polarized 2 wire or 3 wire extension cord. Polarized connections will fit together only one way. Make sure that the receptacle end of the extension cord has large and small blade slot widths. If the plug does not fit fully into the extension cord, reverse the plug. If it still does not fit, obtain a suitable extension cord. If the extension cord does not fit fully into the outlet, contact a qualified electrician to install the proper outlet. Do not modify the lawnmower plug or extension cord in any way.

THIS TOOL CAN BE DANGEROUS. Follow all warnings and Safety Instructions in this manual. The operator is responsible for following warnings and instructions in this manual and on unit. Restrict use of this power tool to persons who read, understand and follow warnings and instructions in this manual and on unit.

- **AVOID DANGEROUS ENVIRONMENT.** Don't use lawnmowers in damp or wet locations. Don't use lawnmowers in the rain.
- **KEEP CHILDREN AWAY.** All other persons and pets should be kept at a safe distance from work area.
- **STORE IDLE LAWNMOWER INDOORS.** Lawnmowers should be stored indoors in dry, secured area – out of reach of children.

- **DON'T FORCE LAWNMOWER.** It will do the job better and with less likelihood of a risk of injury at the rate for which it was designed.
- **USE RIGHT APPLIANCE.** Do not use the lawnmower for any job except that for which it is intended.
- **DRESS PROPERLY.** Do not wear loose clothing or jewelry. They can be caught in moving parts. Rubber gloves, long pants and substantial, non-skid footwear are recommended when working outdoors. Do not go barefoot or wear sandals.
- **USE SAFETY GLASSES AND OTHER SAFETY EQUIPMENT.** Use safety goggles or safety glasses with side shields, complying with applicable safety standards and, when needed, a face shield. Also use face or dust mask if operation is dusty. This applies to all persons in the work area. Also use a hard hat, hearing protection, gloves, safety shoes and dust collection systems when specified or required. Safety glasses or the like are available at extra cost at your local dealer or Black & Decker Service Center.
- **DON'T ABUSE CORD.** Never carry lawnmower by cord or yank it to disconnect from receptacle. Keep cord from heat, oil, and sharp edges.
- **DON'T OVERREACH.** Keep proper footing and balance at all times.
- **MAINTAIN LAWNMOWER WITH CARE.** Keep cutting edge clean and sharp for best performance and to reduce the risk of injury. Follow instructions for lubricating and changing accessories. Inspect lawnmower cord periodically and if damaged, have it repaired by authorized service facility. Inspect extension cords periodically and replace if damaged. Keep handles dry, clean, and free from oil and grease.
- **DISCONNECT LAWNMOWER.** Disconnect the lawnmower from the power supply when not in use, before servicing, and when changing accessories such as blades and the like.
- **KEEP GUARDS** in place and in working order.
- **AVOID UNINTENTIONAL STARTING.** Don't carry plugged-in lawnmower with finger on switch. Be sure switch is off when plugging in.
- **BEFORE USING,** always visually inspect to see that the blade, blade fasteners and cutter assembly are not worn or damaged. Replace worn or damaged blades and fasteners in sets to preserve balance. Inspect the mower cord - ensure it is in good condition. Cord insulation must be intact with no cracks or deterioration.
- **EXTENSION CORDS.** Make sure your extension cord is in good condition. Cord insulation must be intact with no cracks or deterioration. Plug connectors must be undamaged. When using an extension cord, be sure to use one heavy enough to carry the current your product will draw. An undersized extension cord will cause a drop in line voltage resulting in loss of power and overheating, which can shorten the life of the motor. The table shows the correct size to use depending on cord length and nameplate ampere rating. In if doubt, use the next heavier gage. The smaller the gage number, the heavier the cord.

Volts	Minimum Gage for Cord Sets				
	Total Length of Cord in Feet				
120V	0-25	26-50	51-100	101-150	
240V	0-50	51-100	101-200	201-300	
Ampere Rating		American Wire Gage			
More Than	Not more Than				
0	- 6	18	16	16	14
6	- 10	18	16	14	12
10	- 12	16	16	14	12
12	- 16	14	12	Not Recommended	

-  indicates the Mower is "DOUBLE INSULATED"
- **OUTDOOR USE EXTENSION CORDS**  **WARNING:** To reduce the risk of electric shock, use only with an extension cord intended for outdoor use, such as an extension cord of type SW-A, SOW-A, STW-A, STOW-A, SJW-A, SJOW-A, SJTW-A, or SJTOW-A.
- **GROUND FAULT CIRCUIT INTERRUPTER (GFCI)** protection should be provided on the circuits or outlets to be used for the gardening appliance. Receptacles are available having built in GFCI protection and may be used for this measure of safety.
- **STAY ALERT.** Watch what you are doing. Use common sense. Do not operate lawnmower when you are tired, ill or under the influence of any drugs or alcohol.
- **CHECK DAMAGED PARTS.** Before further use of the lawnmower, a guard or other part that is damaged should be carefully checked to determine that it will operate properly and perform its intended function. Check for alignment of moving parts, binding of moving parts, breakage of parts, mounting, and any other conditions that may affect its operation. A guard or other part that is damaged should be properly repaired or replaced by an authorized service center unless otherwise indicated elsewhere in this manual.
- **REPAIRS AND SERVICE.** Repairs, maintenance and any adjustments not specified in this manual should be performed by Black & Decker authorized service centers or other qualified service organizations, always using identical replacement parts.
- **USE OF ACCESSORIES AND ATTACHMENTS.** The use of any accessory or attachment not recommended for use with this lawnmower could be hazardous. Note: Refer to the accessory section of this manual for further details.

ADDITIONAL WARNINGS FOR MOWERS

- **THOROUGHLY** inspect the area where the lawnmower is to be used and remove all stones, sticks, wires, bones, and other foreign objects that could be thrown by the blade. Objects struck by lawnmower blade can cause severe injury to persons.

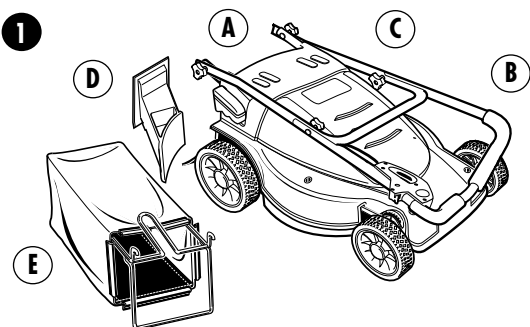
- **DO NOT** operate the lawnmower when barefoot or wearing open sandals.
- **NEVER** attempt to make a wheel height adjustment while the motor is running or while the lawnmower is plugged in.
- **DO NOT** put hands or feet near or under rotating parts. Keep clear of the discharge opening at all times.
- **RELEASE** switch lever to turn mower off when crossing gravel drives, walks, roads, or when flipping handle.
- **IF MOWER** stalls, release switch lever to turn mower off, wait for blade to stop and unplug the cord before attempting to unlog the chute or remove anything from under the deck.
- **AFTER STRIKING** a foreign object, release switch lever to turn mower off, wait for the blade to stop and unplug the mower, thoroughly inspect the mower for any damage, and repair the damage before restarting and operating the mower.
- **IF THE** lawnmower should start to vibrate abnormally release switch lever wait for blade to stop and unplug mower, check immediately for cause. Vibration is generally a warning of trouble.
- **RELEASE SWITCH** lever to turn mower off, wait for the blade to stop and unplug the mower whenever you leave the equipment, before removing the grass catcher, discharge chute or unlogging or cleaning the mower housing, and when making any repairs or inspections.
- **MOW ACROSS** the face of slopes; never up and down. Exercise extreme caution when changing direction on slopes. Do not mow excessively steep slopes.
- **KEEP HANDS** and feet away from cutting area.
- **KEEP BLADES** sharp.
- **IF YOU** are using a grass catcher, check it frequently for wear and deterioration. If excessively worn, replace with new bag for your safety.
- **USE EXTREME CAUTION** when reversing or pulling mower toward you.

SAVE THESE INSTRUCTIONS

ASSEMBLY INSTRUCTIONS

BEFORE ASSEMBLING YOUR MOWER, CHECK THAT YOU HAVE RECEIVED THE FOLLOWING IN THE SHIPPING CARTON. SEE FIGURE 1.

- Mower
- Upper Handle
- Lower Handle
- Mulch Insert (inside mower under rear door)
- Grassbag and Grassbag Frame

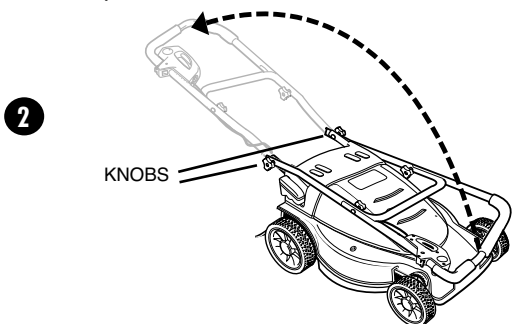


UNPACKING THE MOWER

1. Your mower carton contains the mower, 2 handles (attached), mulch insert and a grass bag and frame assembly.
2. Your mower has been completely assembled at the factory except for the grass bag. Remove the grassbag, grassbag frame, mower and fillers from the carton.

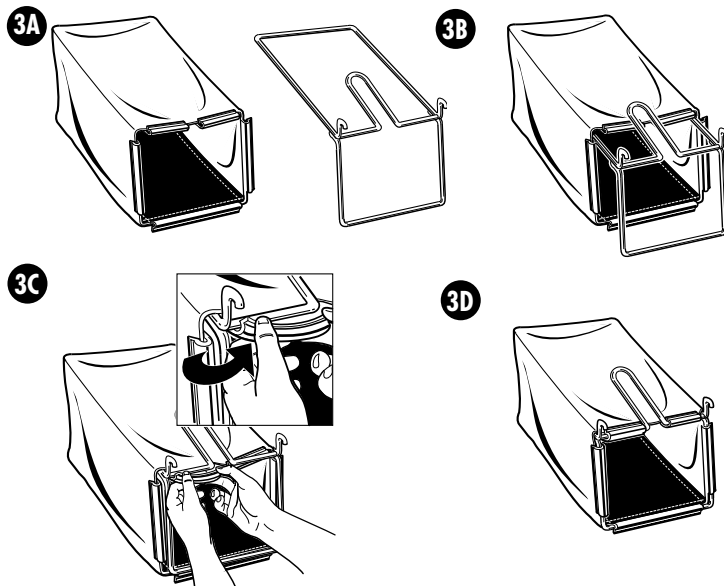
UNFOLDING AND ADJUSTING THE HANDLE (FIGURE 2)

1. **UNPLUG TOOL, AND WAIT FOR BLADE TO COME TO A COMPLETE STOP.**
2. Raise the handle section into place and secure by tightening the two knobs. Take care not to pinch or damage the power cord while adjusting the handles.
3. There are three holes on the upper handle, this allows the handle height to be set in three positions. Choose the hole that best suits your overall height. Install the bolts to the inside of the handles so that the knobs are on the outside (to avoid interference with the rear door and grassbag). Tighten the knobs securely.



ASSEMBLING THE GRASSBAG (FIGURE 3A,3B,3C,3D)

1. **UNPLUG MOWER, AND WAIT FOR BLADE TO COME TO A COMPLETE STOP.**
2. Before starting to assemble the grassbag to the frame, check that the grassbag and frame are similar to figure 3A.
3. Slide the grassbag onto the frame as shown in figure 3B.
4. Assemble the top clips to the frame as shown in figure 3C, then assemble the two side clips and the bottom clip last.
5. Completely assembled grasscatcher see figure 3D.



MULCHING

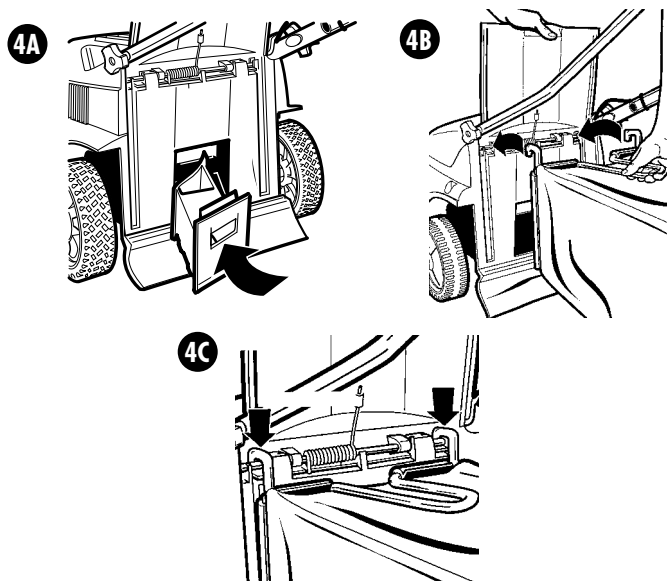
The mower is designed to mulch or bag the grass depending on whether mulch insert is in (mulching) or the mulch insert is out and the grass catcher is in place (bagging). No further assembly steps are required if you are mulching. PROCEED TO OPERATING INSTRUCTIONS.

GRASS CATCHER INSTALLATION (FIGURE 4A,4B,4C)

(If you wish to bag the clippings rather than mulch, perform these steps)

1. **UNPLUG MOWER, AND WAIT FOR BLADE TO COME TO A COMPLETE STOP.**
2. Raise the rear discharge door and hold it up as shown in Figure 4A.
3. Locate your hand in the handle pocket as shown in Figure 4A, lift and pull out the mulch insert completely.
4. Pick up the grass catcher by the handle and lower the grass catcher between the lawnmower handles as shown in Figure 4B. Position the grass catcher hanger hooks on the lawnmower as shown in Figure 4C. The rear discharge door is spring loaded. When you release it the door will rest against top of bag assembly.

Warning: Never operate the mower unless the hanger hooks on the grass catcher are seated properly on the lawnmower and the rear discharge door rests firmly against the top of the grass catcher.



INSTALLING MULCH INSERT (MULCHING)

1. UNPLUG MOWER, AND WAIT FOR BLADE TO COME TO A COMPLETE STOP.
2. Raise the rear discharge door and hold it up as shown in Figure 4A.
3. Slide the mulch insert into the discharge opening until it is firmly in contact with the deck.

OPERATING INSTRUCTIONS

NOTE: A lawnmower is a major appliance and should not be operated simultaneously with other major appliances on the same house circuit.

Warning: Make sure that other persons and pets are at least 100 feet away.

INSPECT CUTTING AREA

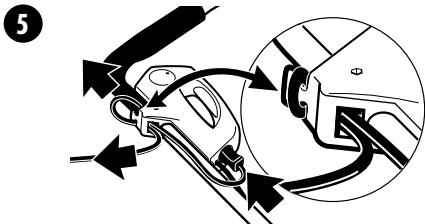


Remove all stones, sticks, wire, bones, and other debris which might be thrown by the rotating blades.

ATTACHING EXTENSION CORD TO MOWER (FIGURE 5)

DO NOT connect the extension cord to power source until you have finished reading this manual and you are ready to start mowing.

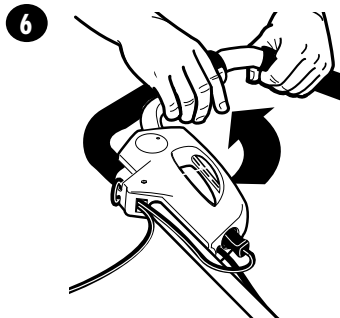
1. The extension cord must be polarized and will only plug in one way, orient the wide slot with the wide blade in the switch housing.
2. Loop the extension cord and push the loop up through the hole in the switch housing.
3. Pull the extension cord on the side of the loop that is plugged into the switch housing and remove all the slack in this section of the extension cord.
4. Place the loop over the strain relief tab on the switch housing and pull the extension cord so the loop draws down around the strain relief tab as shown in the detail. Double check to see that you did not loosen the extension cord.



SWITCH USE (FIGURE 6)

Your mower is equipped with a special switch. To operate the switch, insert your finger into the opening (Figure 6) and push the lever out so that you can grasp it with your other hand. Pull the lever back to turn the unit on and hold it against the mower handle to keep it running. To turn the mower off, just release the lever. The spring loaded "SNAP ACTION" lever will quickly turn the mower off.

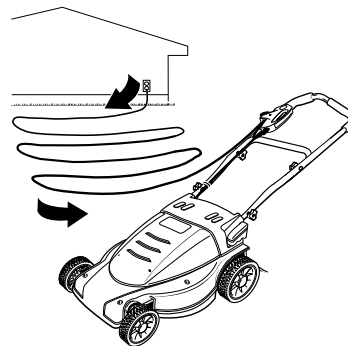
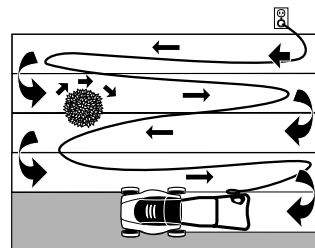
CAUTION: NEVER ATTEMPT TO OVERRIDE THE OPERATION OF THIS SWITCH.



EXTENSION CORD TO ELECTRICAL OUTLET (FIGURE 7)

1. Place most of the extension cord close to the electrical outlet, out of the path of the mower. Attach extension cord to mower.
2. Start in direction where extension cord side of mower is closest to the outlet. Begin mowing in the area closest to the outlet and mow in a back and forth manner. Note the cord is kept on cut portion of lawn and out of the path of the mower. (Figure 7)
3. Avoid mowing in circles as cord will be harder to manage.

7



RECOMMENDED APPROXIMATE CUTTING HEIGHT

The cutting height should be higher in hot weather or shade, and lower for the last mow before winter.

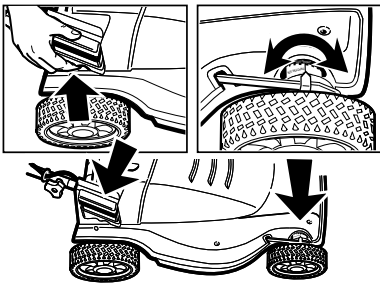
COOL SEASON GRASSES		
TYPE	SHADE	SUN
CREeping BENT GRASS	1-1/3"	2/3"
VELVER BENT GRASS	1/4"	1/2"
ANNUAL BLUEGRASS	1/2"	1"
CANADA BLUEGRASS	3"	4"
KENTUCKY BLUEGRASS	2-1/2"	3"
ROUGH BLUEGRASS	1"	1-1/2"
SMOOTH BROMEGRASS	3"	4"
FINE RESUE	1-1/2"	2-1/2"
TALL FESCUE	2-1/2"	4"
ANNUAL RYEGRASS	2"	2-1/2"
WARM SEASON GRASSES		
TYPE	SHADE	SUN
BAHIA GRASS	2"	3"
BERMUDA GRASS	1/2"	1"
BUFFALO GRASS	1-1/2"	2-1/2"
CARPET GRASS	1"	2"
CENTIPEDE GRASS	1"	2"
ST. AUGUSTINE GRASS	2"	3"
ZOYSIA GRASS	1/2"	1"

NOTE: The cut height range for your mower is 1-1/4" to 3-1/2"

WHEEL HEIGHT ADJUSTMENT (FIGURE 8)

1. BEFORE MAKING ANY ADJUSTMENTS, TURN OFF, UNPLUG MOWER AND WAIT FOR BLADE TO STOP.
2. Your mower features the Black & Decker one touch wheel height adjustment system. This system will adjust all four wheels at the same time.
3. To raise or lower the cutting height. See Figure 8. Rest the palm of your hand on the palm rest and with your fingers, squeeze upward on the finger grip and hold.
4. While holding the finger grip up you can raise or lower the cutting height. The mulcher has eight blade height adjustment positions. Refer to the scale and pointer (see Figure 8) at the front of the mower. The pointer will give you the height setting for cutting your lawn. This setting can be a reference for the next time you want to cut your lawn at the same height. When you have the mulcher at the height you would like, simply release the finger grip to lock the height adjust.

Note: To ensure that the deck is securely locked in one of the eight positions, press down on the palm rest after releasing the finger grip.



CUTTING HEIGHT POSITIONS

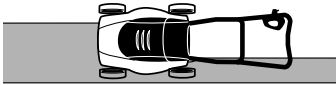
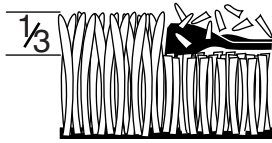
Position	Cut
1 (LOW)	1-1/4"
2	1-1/2"
3	1-3/4"
4	2"
5	2-1/2"
6	3"
7	3-1/4"
8 (HIGH)	3-1/2"

MULCHING TIPS

In the mulching configuration your new mower is designed to re-cut the grass clippings into short lengths.

These clippings, which are dispersed as you mow will biodegrade quickly and provide nutrients for the lawn.

- Set mower at highest cutting height when mowing in rough ground or in tall weed.
- Avoid cutting the lawn when it is wet. Wet grass tends to form clumps with the mulching action. The best time to cut your lawn is in the afternoon.
- For best results, adjust the lawnmower cutting height so that the lawnmower cuts off only the top third of the grass blades.
- If your lawn is overgrown it may be necessary to increase the cutting height to reduce the pushing effect and prevent overloading the motor.
- For extremely heavy mulching make narrower cuts and mow slowly.
- Change your cutting pattern from week to week. Mow north to south one week and east to west the next week. This will help prevent matting and graining of the lawn.



CAUTION: Do not attempt to unclog the blade chamber by dropping or tapping the tool on the ground. This can damage the unit. Keep hands clear of blade when cleaning.

DISCHARGING (AVAILABLE AS AN OPTION AT EXTRA COST)

The mower, with optional discharge chute, can be used to discharge grass clippings back to the lawn.

1. Discharging may be necessary if the grass is too long to mulch or the bag fills too quickly.
2. Clippings may be further dispersed, if needed, by blowing them with a yard blower.
3. In heavy grass conditions, a narrower pass may be required

BAGGING

It is recommended to bag the clippings for the first few spring mowings and the last mowing of the season to discourage diseases.

1. Bagging the clipping is sometimes preferred to reduce tracking of clippings into pools, hot tubs, and homes.
2. Clippings can be added to your compost bin and used later for a natural fertilizer.

CLEANING AND STORAGE

Warning! Be sure the tool is unplugged.

Remove and clean any debris from the outside of the mower and inside of guard before storage. Store under cover. See **MAINTENANCE** section.

NOTE: Do not store the tool on or adjacent to fertilizers or chemicals. Such storage can cause rapid corrosion to metal parts.

Preventing Corrosion

Fertilizers and other garden chemicals contain agents that greatly accelerate the corrosion of metals. If you use the tool in areas where fertilizers or chemicals have been used, the tool should be cleaned immediately afterwards.

Wipe all exposed parts with a damp cloth. You may lubricate only metal parts with a light petroleum based oil. Do not lubricate wheels.

Cleaning out the underside of the mower is done easiest immediately after mowing (**ENSURE MOWER IS UNPLUGGED AND BLADE HAS STOPPED**). A rag, crumpled newspaper or paper towels, can be used to wipe out caked clippings.

A clean mowing deck improves the efficiency of the blade and maintains high performance. When cleaning, **DO NOT** immerse tool in water or squirt it with a hose or pressure washer. Use only mild soap and damp cloth to clean the mower. Never let any liquid get inside the mower; never immerse any part of the mower into a liquid.

MAINTENANCE

Before each mowing session unplug the mower and ensure that the blade has stopped. Check all nuts, bolts and screws to ensure proper tightness. Be sure to check the blade fastening system. Inspect the mower cord - ensure it is in good condition. Cord insulation must be intact with no cracks or deterioration.

IMPORTANT: To assure product **SAFETY** and **RELIABILITY**, repairs, maintenance and adjustment should be performed by authorized service centers or other qualified service organizations. Use only identical replacement parts.

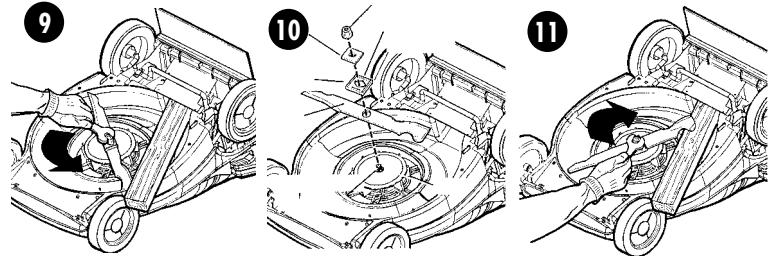
Inspect and thoroughly clean your mower at the beginning of each mowing season for longer life and better performance.

From time to time turn the mower off and wait for the blade to stop. Then unplug the power cord and turn the mower on its side. Using an object such as a stick or rag, wipe out any accumulation of grass in the blade area. Also clean out any grass or debris which may be packed around the discharge/mulch door area. Be careful of the sharp edges of the blade.

REMOVING AND ATTACHING BLADES (FIGURE 9,10,11)

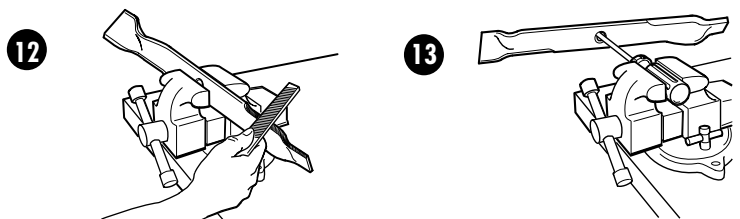
1. **RELEASE SWITCH LEVER TO TURN MOWER OFF, WAIT FOR THE BLADE TO STOP, AND UNPLUG MOWER!**
2. Use a piece of 2x4 wood (about 2 feet long) to keep blade from turning while removing blade nut.
3. Wear gloves. Position wood and remove nut as shown in Figure 9.
4. Remove lower blade spacer, lower insulator washer and blade. (Figure 10)
5. When replacing sharpened or new blade on shoulder of fan, make sure the "GRASS SIDE" identification on the blade is facing the ground. Place lower insulator washer over shoulder of the fan. Now place lower blade spacer and the blade nut on the shaft.

NOTE: Align flats of shaft with flats in lower insulator washer and lower the blade space. Position wood to keep shaft from turning (Figure 11) and then securely tighten blade nut.



SHARPENING AND BALANCING THE BLADE: (FIGURE 12,13)

1. **BE SURE THE SWITCH LEVER IS RELEASED AND THE BLADE HAS STOPPED AND THE CORD UNPLUGGED BEFORE REMOVING THE BLADE.**
2. Remove blade from mower. See instructions for removing and attaching blade.
3. Secure blade in a vise as shown in Figure 12.
4. Wear safety glasses and be careful not to cut yourself.
5. Carefully file the cutting edges of the blade with a fine tooth file or sharpening stone.
6. Check balance of blade by placing centre hole in blade over a nail or screwdriver shank, clamped horizontally in a vise. If either end of the blade rotates down, file off additional material from that end. Blade is properly balanced when neither end drops. (Figure 13)
7. Replace blade on mower and tighten securely.



TROUBLE SHOOTING/CORRECTIVE ACTION GUIDE:

PROBLEM	CORRECTIVE ACTION
-Motor will not start	<ul style="list-style-type: none"> - Check fuse or circuit breaker to ensure power is to outlet. - Check extension cord with another electrical device to ensure cord is good. - Call customer service representative 1 800 54 HOW TO
-Motor keeps slowing down	<ul style="list-style-type: none"> - The underside of the mower may be plugged with clippings, UNPLUG mower and clean out. - Grass may be too tall, try pushing at a slower pace, or raise cut height. - Check blade sharpness and balance, and correct if required. - If mulching, it may be too much grass, UNPLUG mower and attach discharge chute to disperse grass
-Runs but poor cut results	<ul style="list-style-type: none"> - The blade may be dull, unplug mower and carefully check for sharpness. - Blade may be damaged (bent or badly chipped), UNPLUG mower and replace if necessary. - Grass may be too high or thick for cutting height, UNPLUG mower and raise cutting height.
-Excess vibration	<ul style="list-style-type: none"> - Blade may be loose, UNPLUG mower and check blade for tightness. - Blade may be bent or badly chipped , UNPLUG mower and replace if necessary. - Blade may be unbalanced. Refer to blade balancing section of instruction manual.
-Mower is hard to push	<ul style="list-style-type: none"> - Mower is too close to the ground with the amount of grass being cut, UNPLUG mower and raise cutting height. - UNPLUG mower and check wheels and axles to ensure all are rotating easily.
-Mower leaves clumps of grass	<ul style="list-style-type: none"> - Too much grass, UNPLUG mower and raise cutting height. - If mulching, it may be too much grass, UNPLUG mower and attach discharge chute to disperse grass - UNPLUG mower and carefully check blade for sharpness. - Grass may be too wet to cut. Wait for grass to dry.
-Discharge/Bag plugging	<ul style="list-style-type: none"> - Grass may be too wet, try again when grass is dry. - Too much grass, UNPLUG mower and raise cutting height.

LUBRICATION:

No lubrication is necessary. Do not oil the wheels. They have plastic bearing surfaces which require no lubrication.

ACCESSORIES:

Recommended accessories for use with your tool are available from your local dealer or authorized service center. If you need assistance regarding accessories, please call: **1-800-54-HOW-TO**.

⚠ WARNING: The use of any accessory not recommended for use with this tool could be hazardous.

Service Information

Black & Decker offers a full network of company-owned and authorized service locations throughout North America. All Black & Decker Service Centers are staffed with trained personnel to provide customers with efficient and reliable power tool service.

Whether you need technical advice, repair, or genuine factory replacement parts, contact the Black & Decker location nearest you.

To find your local service location, refer to the yellow page directory under "Tools—Electric" or call: **1-800-54-HOW-TO**.

WARRANTIES

Full Two-Year Home Use Warranty

Black & Decker (U.S.) Inc. warrants this product for two years against any defects in material or workmanship. The defective product will be replaced or repaired at no charge in either of two ways:

The first, which will result in exchanges only, is to return the product to the retailer from whom it was purchased (provided that the store is a participating retailer). Returns should be made within the time period of the retailer's policy for exchanges (usually 30 to 90 days after the sale). Proof of purchase may be required. Please check with the retailer for their specific return policy regarding returns that are beyond the time set for exchanges.

The second option is to take or send the product (prepaid) to a Black & Decker owned or authorized Service Center for repair or replacement at our option. Proof of purchase may be required. Black & Decker owned and authorized service centers are listed under "Tools-Electric" in the yellow pages of the phone directory.

This warranty does not apply to accessories. This warranty gives you specific legal rights and you may have other rights which vary from state to state. Should you have any questions, contact the manager of your nearest Black & Decker Service Center.

Deck Warranty

Lifetime Warranty for DECK only against any defects in material or workmanship.

This product is not intended for commercial use.

Imported by
Black & Decker (U.S.) Inc.,
701 E. Joppa Rd.
Towson, MD 21286 U.S.A.

See 'Tools-Electric'
– Yellow Pages –
for Service & Sales



FRANÇAIS

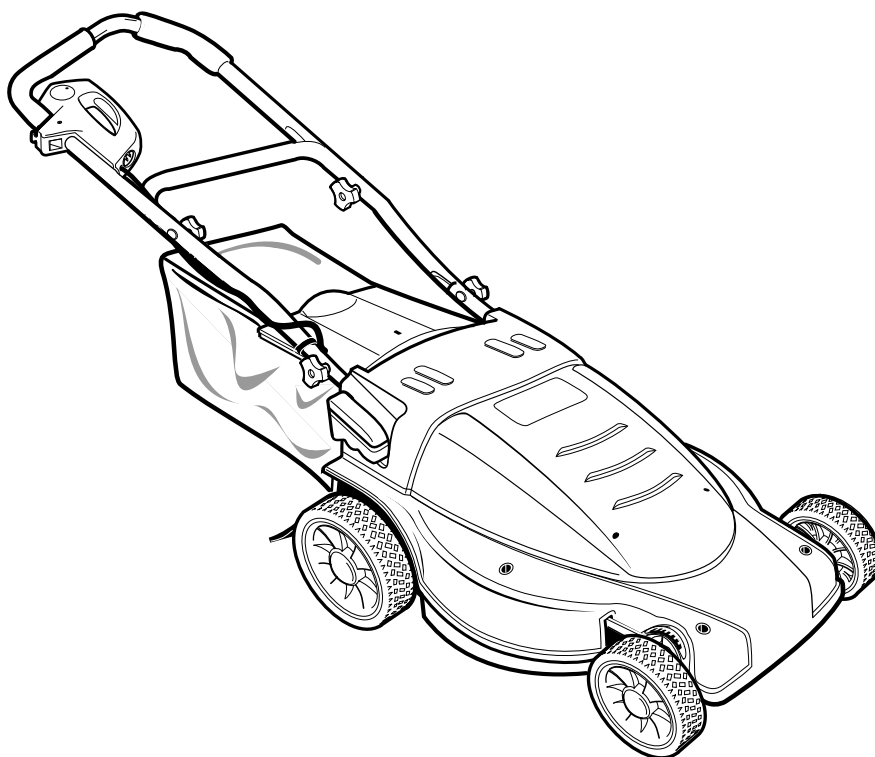
 **BLACK & DECKER®**



TONDEUSE DE 48 cm (19 po)

GUIDE D'UTILISATION

MODÈLE MM875



RENSEIGNEMENTS IMPORTANTS

- Châssis garanti à vie «3 dans 1» : Déchiquetage, ensachage et éjection (couloir d'éjection vendu séparément).
- Utiliser la tondeuse seulement si le guidon est verrouillé en place.
- Afin d'optimiser les résultats de la coupe, s'assurer que la lame est affûtée et équilibrée.
- Inspecter et nettoyer la tondeuse à fond après chaque utilisation (un châssis garni d'une accumulation d'herbe nuit au rendement).
- S'assurer qu'il n'y a personne ni aucun animal dans la zone de coupe avant le début des travaux.

CONSERVER LE PRÉSENT GUIDE À TITRE DE RÉFÉRENCE.

AVANT DE RETOURNER LE PRODUIT, PEU
IMPORTE LA RAISON, PRIÈRE DE COMPOSER LE

1 800 544-6986

⚠ AVERTISSEMENT : Importantes mesures de sécurité

⚠ AVERTISSEMENT : Afin de réduire les risques d'incendie, de secousses électriques ou de blessures lorsqu'on utilise des outils de jardinage électriques, il faut toujours respecter les mesures de sécurité suivantes.

LIRE TOUTES LES DIRECTIVES.

AFIN DE RÉDUIRE LES RISQUES DE BLESSURES

- Avant toute utilisation, s'assurer que tous ceux qui se servent de l'outil lisent et comprennent toutes les mesures de sécurité et tout autre renseignement contenu dans le présent guide.
- Conserver ces mesures et les relire fréquemment avant d'utiliser l'outil et d'en expliquer le fonctionnement à d'autres personnes.

⚠ AVERTISSEMENT : Le produit génère de la poussière qui peut renfermer des produits chimiques. Selon l'état de la Californie, ces produits chimiques peuvent causer le cancer ainsi que des malformations congénitales, et ils présentent d'autres dangers au système reproductif humain. Voici des exemples de tels produits chimiques :

- les composés d'engrais;
- les composés d'insecticides, d'herbicides et de pesticides;
- l'arsenic et le chrome provenant de bois traité.

Afin de minimiser les risques, porter de l'équipement de sécurité approuvé comme des masques antipoussières spécialement conçu pour filtrer les particules microscopiques.

⚠ AVERTISSEMENT : Le produit renferme des produits chimiques, dont du plomb. Selon l'état de la Californie, ce produit chimique peut causer le cancer ainsi que des malformations congénitales, et il présente d'autres dangers au système reproductif humain. Se laver les mains après l'utilisation.

⚠ MESURES DE SÉCURITÉ POUR TOUTS LES OUTILS

⚠ MESURES DE SÉCURITÉ : DOUBLE ISOLATION

PIÈCES DE RECHANGE : Lors des travaux d'entretien, utiliser seulement des pièces de rechange Black & Decker identiques.

⚠ IMPORTANTES MESURES DE SÉCURITÉ : FICHE POLARISÉE

Le produit est muni d'une fiche polarisée (une lame plus large que l'autre) afin de minimiser les risques de secousses électriques.

Le produit doit alors être utilisé avec un cordon de rallonge bifilaire ou trifilaire approprié. Ce genre de fiche n'entre que d'une façon dans une prise polarisée. S'assurer que la prise de la rallonge possède une fente plus large que l'autre. Lorsqu'on ne peut insérer la fiche à fond dans la rallonge, il faut tenter de la faire après avoir inversé les lames de côté. Si la fiche n'entre toujours pas dans la rallonge, il faut se procurer une rallonge appropriée. Lorsqu'on ne peut insérer la fiche de la rallonge à fond dans la prise murale, il faut communiquer avec un électricien certifié pour qu'il installe une prise appropriée. Il ne faut pas modifier la fiche de l'outil ni celle de la rallonge.


L'OUTIL PRÉSENTE DES RISQUES. Respecter tous les avertissements et mesures de sécurité du présent guide et ceux indiqués sur l'outil; l'utilisateur a la responsabilité de s'y conformer. Seules les personnes qui ont lu et compris ces avertissements et mesures de sécurité, et qui ont l'intention de s'y conformer peuvent se servir de l'outil de jardinage électrique.

- **TENIR COMPTE DU MILIEU DE TRAVAIL.** Ne pas utiliser l'outil dans un endroit mouillé ou humide. Ne pas se servir l'outil sous la pluie.
- **ÉLOIGNER LES ENFANTS.** Tous les visiteurs et les animaux domestiques doivent être tenus à l'écart de l'aire de travail.
- **RANGER LES OUTILS INUTILISÉS À L'INTÉRIEUR.** Il faut ranger les outils dans un endroit sec et sûr, hors de la portée des enfants.
- **NE JAMAIS FORCER L'OUTIL.** Afin d'obtenir un rendement efficace et avec moins

de risques de blessures, utiliser l'outil à son rendement nominal.

- **UTILISER L'OUTIL APPROPRIÉ.** Se servir de l'outil selon l'usage prévu.
- **PORTER DES VÊTEMENTS APPROPRIÉS.** Éviter de porter des vêtements amples et des bijoux qui peuvent être happés par les pièces en mouvement. Porter des gants de caoutchouc, des pantalons et des chaussures robustes à semelle antidérapante pour travailler à l'extérieur. Ne pas se servir de l'outil pieds nus ou en sandales.
- **PORTER DES LUNETTES DE SÉCURITÉ ET AUTRE ÉQUIPEMENT DE SÉCURITÉ.** Porter des lunettes de protection ou de sécurité à écrans latéraux, conformément aux normes de sécurité appropriées, et, au besoin, un écran facial. Porter également un masque respiratoire si le travail de coupe produit de la poussière. La présente mesure vaut pour toute personne dans la zone de travail. Il faut également porter un casque, des protège-tympons, des gants et des chaussures de sécurité ainsi qu'utiliser des systèmes de dé poussiérage lorsque spécifié ou exigé. Les lunettes de sécurité et autre matériel semblable sont vendus séparément chez les détaillants et dans les centres de service Black & Decker.
- **NE PAS MANIPULER LE CORDON DE FAÇON ABUSIVE.** Ne pas transporter l'outil par le cordon ni tirer sur ce dernier pour le débrancher de la prise. Éloigner le cordon des sources de chaleur, des flaques d'huile et des arêtes tranchantes.
- **NE PAS DÉPASSER SA PORTÉE.** Toujours demeurer dans une position stable et garder son équilibre.
- **PRENDRE SOIN DES OUTILS.** S'assurer que le rebord tranchant est propre et affûté afin d'optimiser le rendement de l'outil et de minimiser les risques de blessures. Suivre les directives concernant la lubrification et le remplacement des accessoires. Inspecter régulièrement le cordon de l'outil et le faire réparer au besoin à un atelier d'entretien autorisé. Inspecter régulièrement les cordons de rallonge et les remplacer lorsqu'ils sont endommagés. S'assurer que les poignées sont toujours propres, sèches et libres de toute tache d'huile ou de graisse.
- **DÉBRANCHER LES OUTILS NON UTILISÉS.** Respecter cette mesure lorsqu'on ne se sert pas de l'outil, ou qu'on doit le réparer ou en changer un accessoire.
- **LAISSER LES PROTECTEURS** en place et en bon état.
- **ÉVITER LES DÉMARRAGES ACCIDENTELS.** Ne pas laisser le doigt sur l'interrupteur lorsqu'on transporte l'outil. S'assurer que l'interrupteur est à la position hors circuit lorsqu'on branche l'outil.
- **AVANT D'UTILISER L'OUTIL,** toujours vérifier la lame, les attaches de la lame et le couteau de la tondeuse pour s'assurer qu'ils ne sont ni usés ni endommagés. Remplacer les lames et les attaches usées ou endommagées ensemble pour en maintenir l'équilibre. S'assurer que le cordon de rallonge est en bon état. L'isolation du cordon doit être intacte, sans fissures ni usure.
- **CORDONS DE RALLONGE.** S'assurer que le cordon de rallonge est en bon état. L'isolation du cordon doit être intacte, sans fissures ni usure. Les connecteurs de la fiche ne doivent pas être endommagés. Lorsqu'on se sert d'un cordon de rallonge, s'assurer qu'il est de calibre approprié pour la tension nécessaire au fonctionnement de l'outil. L'utilisation d'un cordon de calibre inférieur occasionne une baisse de tension entraînant une perte de puissance et la surchauffe; ce qui peut réduire la durée du moteur. Le tableau suivant indique le calibre approprié selon la longueur du cordon et les mentions de la plaque signalétique de l'outil. En cas de doute, utiliser un cordon de calibre supérieur. Le chiffre indiquant le calibre est inversement proportionnel au calibre du cordon.

Tension	Calibre minimal des cordons de rallonge				
	Longueur totale du cordon en pieds				
120 V	0-25	26-50	51-100	101-150	
240 V	0-50	51-100	101-200	201-300	
Intensité (A)		Calibre moyen des fils (AWG)			
Au moins	Au plus				
0	6	18	16	16	14
6	10	18	16	14	12
10	12	16	16	14	12
12	16	14	12		Non recommandé

-  signifie que la tondeuse comporte une "DOUBLE ISOLATION".
- **⚠ AVERTISSEMENT RELATIF À L'UTILISATION DE RALLONGES À L'EXTÉRIEUR :** Afin de réduire les risques de secousses électriques, utiliser seulement un cordon de rallonge conçu pour l'extérieur et portant une des mentions suivantes : SW-A, SOW-A, STW-A, STOW-A, SJW-A, SJOW-A, SJTW-A ou SJTOW-A.
- **UN DISJONCTEUR DIFFÉRENTIEL** devrait être installé sur les prises ou les circuits utilisés pour alimenter les outils de jardinage. Il existe des prises pourvues de disjoncteurs différentiels intégrés qui peuvent servir à cet effet.
- **DEMEUREZ VIGILANT.** Travailler avec vigilance et faire preuve de bon sens. Ne pas se servir de l'outil lorsqu'on est fatigué ou après avoir ingéré des drogues ou de l'alcool.
- **VÉRIFIER LES PIÈCES ENDOMMAGÉES.** Avant d'utiliser de nouveau l'outil, bien vérifier un protecteur endommagé ou toute autre pièce défectueuse afin de déterminer si elle fonctionnera de façon appropriée et si elle remplira la fonction prévue. Vérifier l'alignement et les attaches des pièces mobiles, le degré d'usure des pièces et leur montage, ainsi que tout autre facteur susceptible de nuire au bon fonctionnement de l'outil. Faire réparer ou remplacer tout protecteur ou toute autre pièce endommagée dans un centre de service autorisé, sauf si le présent guide fait mention d'un avis contraire.
- **RÉPARATION ET ENTRETIEN.** Les réparations, l'entretien et les réglages non décrits dans le présent guide devraient être confiés au personnel d'un centre de

service Black & Decker ou d'un atelier d'entretien autorisé n'utilisant que des pièces de rechange identiques.

- **ACCESSOIRES.** L'utilisation de tout accessoire non recommandé pour le produit peut être dangereuse. Note : Pour obtenir de plus amples renseignements, consulter la rubrique «Accessoires» du présent guide.



MESURES DE SÉCURITÉ ADDITIONNELLES RELATIVES AUX TONDEUSES

- **BIEN VÉRIFIER LA ZONE** où on utilise la tondeuse et enlever tous les cailloux, bâtons, fils, os ou autres corps étrangers qui pourraient être projetés par la lame en mouvement. De tels objets projetés par la lame présente des risques de l blessures graves.
- **NE JAMAIS** utiliser la tondeuse lorsque les pieds sont déchaussés ou recouverts de sandales.
- **NE PAS** tenter de modifier la hauteur des roues lorsque le moteur est en marche ni lorsque la tondeuse est branchée.
- **ÉLOIGNER** les mains et les pieds des pièces en mouvement. Se tenir à bonne distance de l'ouverture d'éjection en tout temps.
- **RELÂCHER LE LEVIER** de l'interrupteur pour arrêter la tondeuse avant de traverser les entrées et les chemins, ou lorsqu'on bascule le guidon.
- **LORSQUE LE MOTEUR CALE**, relâcher l'interrupteur pour mettre la tondeuse hors tension, attendre l'immobilisation de la lame et débrancher la tondeuse avant de débloquer le couloir d'éjection ou de retirer des objets coincés sous la tondeuse.
- **LORSQUE LA LAME DE LA TONDEUSE HEURTE** un corps étranger, relâcher le levier de l'interrupteur, attendre l'immobilisation complète de la lame, débrancher la tondeuse, s'assurer que la tondeuse n'a pas été endommagée et la réparer avant de l'utiliser de nouveau.
- **LORSQUE LA** tondeuse commence à vibrer de façon anormale, relâcher le levier de l'interrupteur, attendre l'immobilisation complète de la lame, débrancher la tondeuse et rechercher immédiatement la cause des vibrations. Ces dernières sont habituellement un signe de dérangement.
- **RELÂCHER LE LEVIER** de l'interrupteur pour arrêter le moteur, attendre l'immobilisation de la lame et débrancher la tondeuse lorsqu'on laisse la tondeuse sans surveillance, avant de retirer le sac à herbe, de débloquer le châssis ou le couloir d'éjection, de nettoyer le carter de la tondeuse, et lors de réparations ou d'inspection.
- **TONDRE EN TRAVERS** dans le cas d'une pente et non en va-et-vient vertical. Faire attention lorsqu'on change de sens sur une pente. Ne pas tondre les pentes abruptes.
- **ÉLOIGNER** les mains et les pieds de la zone de coupe.
- **S'ASSURER QUE LES LAMES** sont toujours affûtées.
- **LORSQU'ON** utilise un sac à herbe, en vérifier fréquemment l'usure. Lorsque le sac est bien usé, le remplacer.
- **FAIRE PREUVE D'UNE EXTRÊME PRUDENCE** lorsqu'on modifie la course de la tondeuse ou qu'on la dirige vers soi.

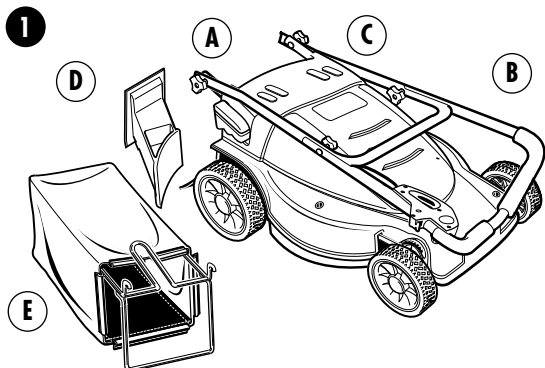
CONSERVER CES MESURES.

ASSEMBLAGE

AVANT D'ASSEMBLER LA TONDEUSE, S'ASSURER QUE TOUTES LES PIÈCES SUIVANTES SE TROUVENT DANS L'EMBALLAGE.

VOIR LA FIGURE 1.

- Tondeuse
- Partie supérieure du guidon
- Partie inférieure du guidon
- Pièce rapportée de déchiquetage (dans la tondeuse près de la porte arrière)
- Sac à herbe et cadre du sac

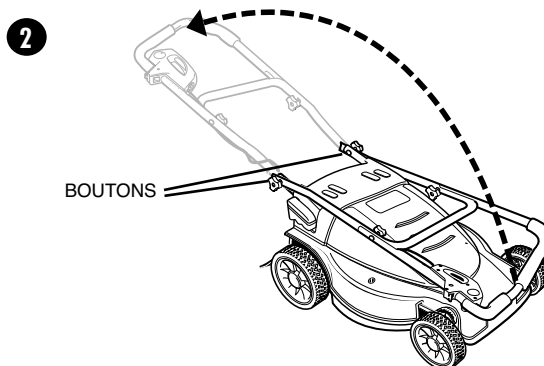


DÉBALLAGE

1. L'emballage de la tondeuse renferme la tondeuse, deux parties du guidon (fixées), une pièce rapportée de déchiquetage et un sac à herbe avec un cadre.
2. La tondeuse a été complètement montée en usine, à l'exception du sac à herbe. Sortir le cadre du sac à herbe, le sac à herbe, la tondeuse et les matériaux d'emballage.

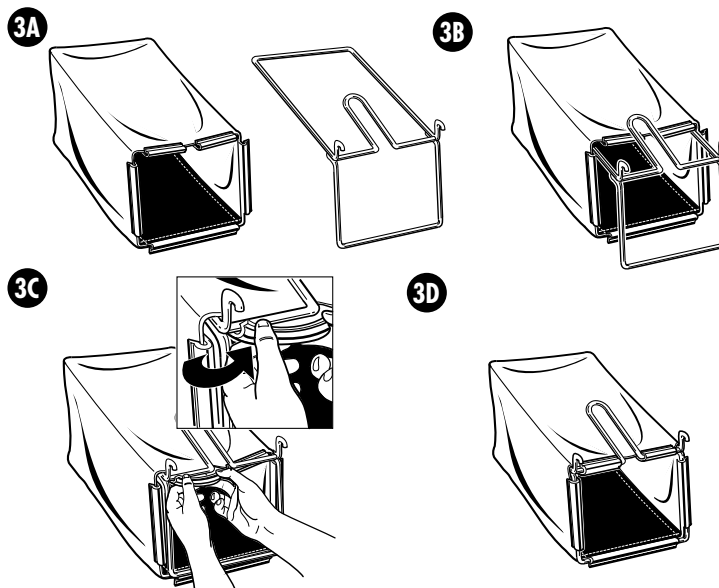
DÉPLIAGE ET RÉGLAGE DU GUIDON (FIGURE 2)

1. **DÉBRANCHER L'OUTIL ET ATTENDRE L'IMMOBILISATION COMPLÈTE DE LA LAME.**
2. Soulever le guidon en place et le fixer en serrant les deux boutons. Prendre soin de ne pas pincer ni endommager le cordon d'alimentation lors du réglage du guidon.
3. Il y a trois trous dans la partie supérieure du guidon permettant d'en régler la hauteur à trois positions. Choisir le trou convenant le mieux à sa taille. Installer les boulons du côté intérieur du guidon de sorte que les boutons se trouvent du côté extérieur (afin de ne pas nuire au fonctionnement de la porte arrière et du sac). Bien serrer les boutons.



MONTAGE DU SAC À HERBE (FIGURES 3A, 3B, 3C ET 3D)

1. **DÉBRANCHER L'OUTIL ET ATTENDRE L'IMMOBILISATION COMPLÈTE DE LA LAME.**
2. Avant de monter le sac sur le cadre, vérifier le sac et le cadre pour s'assurer qu'ils correspondent à ceux illustrés à la figure 3A.
3. Faire glisser le sac sur le cadre de la façon illustrée à la figure 3B.
4. Commencer par fixer les pinces supérieures (fig. 3C), puis les deux pinces latérales et, enfin, la pince inférieure.
5. Voir le sac complètement assemblé à la figure 3D.



DÉCHIQUETAGE

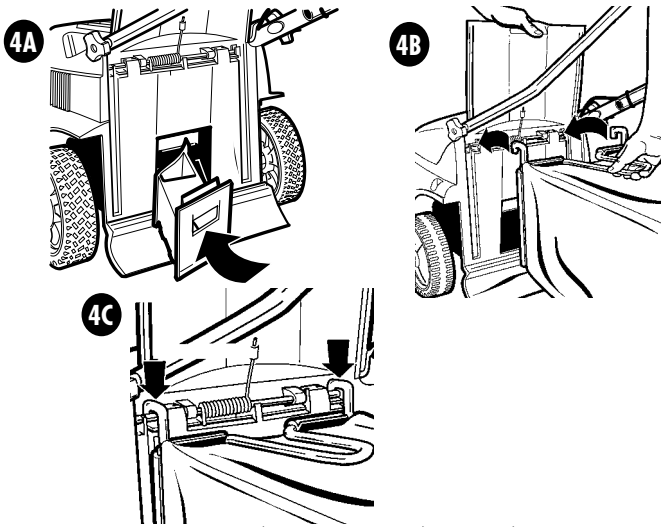
La tondeuse est conçue pour déchiqeter ou éjecter les brindilles selon que la porte de déchiqetage soit fermée (déchiqetage) ou soulevée et que le couloir d'éjection soit en place (éjection). Le mode de déchiqetage ne nécessite aucun assemblage. CONTINUER À LA RUBRIQUE RELATIVE AU FONCTIONNEMENT.

INSTALLATION DU SAC À HERBE (FIGURES 4A, 4B ET 4C)

(Faire ce qui suit pour ensacher les brins d'herbes plutôt que de les déchiqeter.)

1. **DÉBRANCHER L'OUTIL ET ATTENDRE L'IMMOBILISATION COMPLÈTE DE LA LAME.**
2. Soulever la porte d'éjection arrière comme le montre la figure 4A.
3. Placer la main dans le creux illustré à la figure 4A, puis soulever et retirer complètement la pièce rapportée de déchiqetage.
4. Soulever le sac à herbe par sa poignée et l'abaisser entre le guidon de la tondeuse (fig. 4B). Placer les crochets du sac à herbe sur la tondeuse de la manière illustrée à la figure 4C. La porte d'éjection arrière comporte un ressort. Lorsqu'on la relâche, elle repose contre le dessus du sac.

⚠️ Avertissement : Ne jamais utiliser la tondeuse si les crochets du support du sac à herbe ne sont pas bien installés sur la tondeuse et si la porte d'éjection arrière ne repose pas bien contre le dessus du sac à herbe.



INSTALLATION DE LA PIÈCE RAPPORTÉE DE DÉCHIQUETAGE

1. DÉBRANCHER L'OUTIL ET ATTENDRE L'IMMOBILISATION COMPLÈTE DE LA LAME.
2. Soulever la porte d'éjection arrière comme le montre la figure 4A.
3. Faire glisser la pièce rapportée de déchiquetage dans l'ouverture d'éjection jusqu'à ce que la pièce entre fermement en contact avec le châssis de la tondeuse.

FONCTIONNEMENT

NOTE : Une tondeuse consomme beaucoup d'énergie et il ne faudrait pas s'en servir en même temps que d'autres appareils énergivores.

Avertissement : S'assurer qu'il n'y a ni personnes ni animaux sur une distance d'au moins 30 m (100 pi).

INSPECTION DE LA ZONE DE COUPE

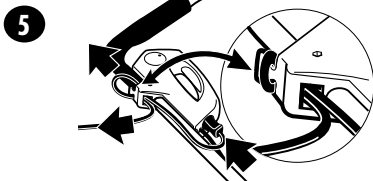


Enlever tous les cailloux, bâtons, fils, os ou autres corps étrangers qui pourraient être projetés par la lame en mouvement.

FIXATION DU CORDON DE RALLONGE À LA TONDEUSE (FIGURE 5)

NE PAS raccorder la rallonge à la source d'alimentation avant d'avoir terminé la lecture du présent guide et d'être prêt à utiliser la tondeuse.

1. La rallonge doit être polarisée et ne se branche que d'une façon. Orienter la fente large vers la broche large du corps de l'interrupteur.
2. Faire une boucle avec la rallonge et pousser la boucle dans le trou du corps de l'interrupteur.
3. Tirer sur la section de la rallonge qui se trouve dans le corps de l'interrupteur afin d'enlever tout jeu.
4. Fixer la boucle sur la languette de retenue du corps de l'interrupteur et tirer sur la rallonge en accrochant le cordon sur la languette comme le montre le détail. S'assurer que la rallonge n'est pas lâche.



UTILISATION DE L'INTERRUPTEUR (FIGURE 6)

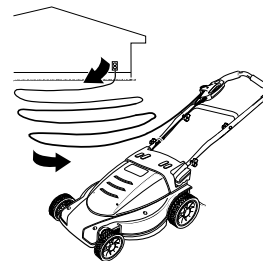
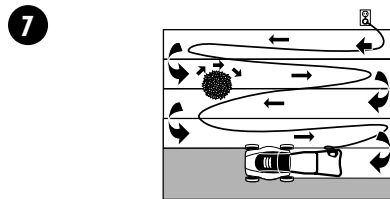
La tondeuse comporte un interrupteur particulier. Pour l'actionner, il faut insérer un doigt dans l'ouverture (fig. 6) et pousser sur l'interrupteur pour le faire sortir et l'attraper de l'autre main. Tirer l'interrupteur vers l'arrière pour actionner la tondeuse et l'appuyer contre le guidon pour assurer un fonctionnement continu. Il suffit de relâcher l'interrupteur pour arrêter la tondeuse. Le levier est muni d'un ressort à ACTION RAPIDE qui arrête rapidement la tondeuse.

MISE EN GARDE : NE JAMAIS TENTER DE NEUTRALISER LE BON FONCTIONNEMENT DE L'INTERRUPTEUR.



RALLONGE PRÈS DE LA PRISE MURALE (FIGURE 7)

1. Déposer la rallonge près de la prise murale, loin du trajet de la tondeuse. Fixer la rallonge à la tondeuse.
2. Commencer à tondre le plus près possible de l'endroit où la rallonge est branché et effectuer un mouvement de va-et-vient. Laisser la rallonge reposer du côté taillé de la pelouse, loin du trajet de la tondeuse (fig. 7).
3. Éviter de se déplacer en cercles car le cordon sera plus difficile à manier.



HAUTEUR DE COUPE RECOMMANDÉE

La hauteur de coupe devrait être plus élevée lorsque la température est élevée ou dans les endroits ombragés, et basse pour la dernière tonte avant l'hiver.

PELOUSE - TEMPÉRATURES FRAÎCHES

TYPE	OMBRE	SOLEIL
HERBE RECOUBÉE RAMPANTE	33,7 mm (1 1/3 po)	16,7 mm (2/3 po)
HERBE RECOUBÉE VELOURS	6,3 mm (1/4 po)	12,7 mm (1/2 po)
PATURIN DES PRÉS	12,5 mm (1/2 po)	25,4 mm (1 po)
PATURIN COMPRIMÉ	76,2 mm (3 po)	101,6 mm (4 po)
HERBE BLEUE DU KENTUCKY	63,5 mm (2 1/2 po)	76,2 mm (3 po)
PTURIN DES PRÉS COMMUN	25,4 mm (1 po)	38,1 mm (1 1/2 po)
BROME	76,2 mm (3 po)	101,6 mm (4 po)
HERBE « RESCUE » FINE	38,1 mm (1 1/2 po)	63,5 mm (2 1/2 po)
HERBE « RESCUE » HAUTE	63,5 mm (2 1/2 po)	101,6 mm (4 po)
FROMENTAL	50,8 mm (2 po)	63,5 mm (2 1/2 po)

PELOUSE - TEMPÉRATURES CHAUDES

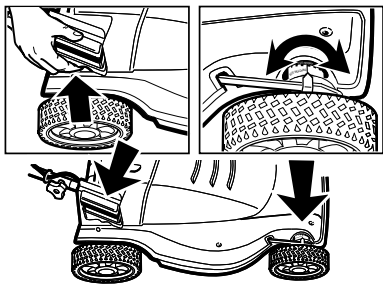
TYPE	OMBRE	SOLEIL
HERBE DE BAHIA	50,8 mm (2 po)	76,2 mm (3 po)
HERBE DES BERMUDES	12,7 mm (1/2 po)	25,4 mm (1 po)
HERBE DE BUFFALO	38,1 mm (1 1/2 po)	63,5 mm (2 1/2 po)
HERBE « CARPET »	25,4 mm (1 po)	50,8 mm (2 po)
HERBE « CENTIPEDE »	25,4 mm (1 po)	50,8 mm (2 po)
HERBE « ST. AUGUSTINE »	50,8 mm (2 po)	76,2 mm (3 po)
HERBE « ZOYSIA »	12,7 mm (1/2 po)	25,4 mm (1 po)

NOTE : Les positions de coupe de la tondeuse vont de 31,7 mm (1 1/4 po) à 88,9 mm (3 1/2 po).

RÉGLAGE DE LA HAUTEUR DES ROUES (FIGURE 8)

1. AVANT DE RÉGLER L'OUTIL, METTRE LA TONDEUSE HORS TENSION, LA DÉBRANCHER ET ATTENDRE L'IMMOBILISATION COMPLÈTE DE LA LAME.
2. La tondeuse est dotée du système monotouche de réglage de la hauteur des roues de Black & Decker. Ce système permet de régler simultanément la hauteur des quatre roues.
3. Pour augmenter ou diminuer la hauteur de coupe, voir la figure 8. Placer la paume de la main sur l'appui-main et se servir de ses doigts pour agripper la prise vers le haut et la retenir.
4. On peut augmenter ou diminuer la hauteur de coupe lorsqu'on retient la prise des doigts. La tondeuse-déchiqueteuse comporte huit réglages de la hauteur de coupe. Voir l'échelle et l'indicateur (fig. 8) à l'avant de la tondeuse. L'indicateur montre le réglage de la hauteur. Cette mesure peut servir de référence pour tondre à la même hauteur ultérieurement. Lorsque la tondeuse-déchiqueteuse est à la hauteur voulue, il suffit de relâcher la prise des doigts afin de bloquer l'outil à cette hauteur.

Note : Pour s'assurer que le châssis de la tondeuse est bien bloqué dans l'une des huit positions, abaisser l'appui-main après avoir relâché la prise des doigts.



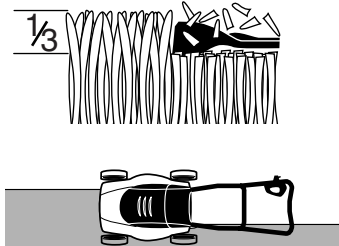
Position	Hauteur de coupe
1 (BASSE)	31,7 mm (1 1/4 po)
2	38,1 mm (1 1/2 po)
3	44,4 mm (1 3/4 po)
4	50,8 mm (2 po)
5	63,5 mm (2 1/2 po)
6	76,2 mm (3 po)
7	81,3 mm (3 1/4 po)
8 (ÉLEVÉE)	88,9 mm (3 1/2 po)

DÉCHIQUETAGE

En mode de déchiquetage, la tondeuse est conçue pour déchiqeter l'herbe coupée sur la pelouse.

Ces brindilles déchiqetées sont dispersées pendant la tonte. Elles se dégradent biologiquement plus vite et elles servent de nutriments à la pelouse.

- Régler la tondeuse à la position la plus élevée lorsque le terrain est inégal ou lorsque l'herbe est haute.
- Éviter de tailler l'herbe lorsqu'elle est mouillée. L'herbe mouillée tend à former des tas lorsqu'on la déchiqette. Le meilleur temps pour tondre la pelouse est au début de l'après-midi.
- Afin d'optimiser les résultats, régler la hauteur de coupe de sorte que la tondeuse ne coupe que le tiers de la hauteur de l'herbe.
- Lorsque l'herbe est haute, il peut être nécessaire d'augmenter la hauteur de coupe afin de minimiser l'effort de poussée et ainsi prévenir la surcharge du moteur.
- En cas de travaux intenses de déchiqetage, effectuer des passes étroites et lentes.
- Modifier le sens de la coupe d'une semaine à l'autre. Tondre du sud au nord une semaine et de l'est vers l'ouest, l'autre afin de prévenir la formation d'un paillason ou le dégarnissage de la pelouse.



⚠ MISE EN GARDE : Ne pas tenter de débloquent la chambre de la lame en laissant tomber ou en frappant l'outil contre le sol. Cela risque d'endommager la tondeuse. Éloigner les mains de la lame lors du nettoyage.

COULOIR D'ÉJECTION (VENDU SÉPARÉMENT)

La tondeuse peut servir avec un couloir d'éjection (vendu séparément) afin de disperser l'herbe coupée sur la pelouse.

1. Il peut être nécessaire d'éjecter les brindilles si l'herbe est trop longue pour être déchiqetée ou si le sac à herbe se remplit trop rapidement.
2. On peut disperser les brindilles un peu plus, le cas échéant, à l'aide d'une souffeuse.
3. Lorsque l'herbe est haute, il est conseillé de faire des passes étroites.

SAC À HERBE

Il est conseillé d'ensacher l'herbe de la première coupe du printemps et de la dernière tonte de la saison afin d'éviter les maladies.

1. On préfère parfois ensacher l'herbe pour éviter qu'elle ne se retrouve dans la piscine, dans les bains tourbillons ou dans la maison.
2. On peut verser les brindilles dans le compost et s'en servira plus tard comme fertilisant naturel.

NETTOYAGE ET RANGEMENT

Avertissement! S'assurer que la tondeuse est débranchée.

Enlever tous les brins d'herbe qui se sont accumulés sur la tondeuse et sous le protecteur, puis nettoyer la tondeuse avant de la ranger. Protéger des intempéries. Voir la rubrique relative à l'entretien.

NOTE : Ne pas ranger la tondeuse sur des produits fertilisants ou chimiques, ni près de ceux-ci car ils peuvent entraîner la corrosion rapide.

Prévention de la corrosion

Les produits fertilisants et autres produits de jardinage renferment des agents qui accélèrent grandement le processus de la corrosion des métaux. Lorsqu'on utilise la tondeuse à des endroits où des produits fertilisants ou chimiques ont été répandus, nettoyer immédiatement la tondeuse.

Essuyer toutes les pièces exposées avec un chiffon humide. On peut seulement lubrifier les pièces métalliques avec une huile légère à base de pétrole. Ne pas lubrifier les roues.

Il est plus facile de nettoyer le dessous du châssis immédiatement après s'être servi de la tondeuse (**S'ASSURER QUE LA TONDEUSE EST DÉBRANCHÉE ET QUE LA LAME EST IMMOBILISÉE**). On peut utiliser un chiffon, du papier journal froissé ou de l'essuie-tout pour enlever les accumulations de brindilles.

L'efficacité de la lame s'accroît lorsque le châssis de la tondeuse est propre. On s'assure de la sorte du rendement élevé de l'outil. Lors du nettoyage, NE PAS immerger l'outil ni l'arroser à l'aide d'un boyau ou d'un appareil sous pression. Utiliser seulement un savon doux et un chiffon humide pour nettoyer la tondeuse. Ne jamais laisser un liquide s'infiltrer dans la tondeuse; ne jamais l'immerger.

ENTRETIEN

Avant chaque utilisation, débrancher la tondeuse et s'assurer que la lame est immobilisée. Vérifier tous les écrous, boulons et vis afin de s'assurer qu'ils sont bien serrés. Vérifier également le système de fixation de la lame.

IMPORTANT: Pour assurer la SÉCURITÉ D'EMPLOI et la FIABILITÉ de l'outil, n'en confier la réparation, l'entretien et les rajustements qu'à un centre de service ou à un atelier d'entretien autorisé. Utiliser seulement des pièces de rechange identiques.

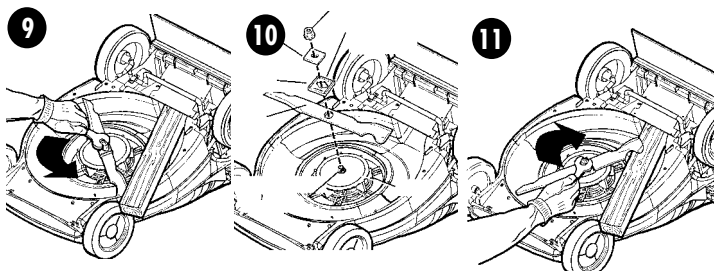
Inspecter et bien nettoyer la tondeuse au début de chaque saison de coupe afin d'en prolonger la durée et d'en améliorer le rendement.

À l'occasion, mettre la tondeuse hors tension et attendre l'immobilisation de la lame. Puis, débrancher le cordon d'alimentation et déposer la tondeuse sur le côté. À l'aide d'un objet comme un bâton ou un chiffon, enlever toute accumulation de brindilles autour de la lame. Enlever également toute accumulation de brindilles près du couloir d'éjection ou de la zone de déchiqetage. Prendre garde de ne pas se blesser sur les arêtes tranchantes de la lame.

INSTALLATION ET RETRAIT DE LA LAME (FIGURES 9, 10 ET 11)

1. RELÂCHER LE LEVIER DE L'INTERRUPTEUR POUR ARRÊTER LA TONDEUSE, ATTENDRE L'IMMOBILISATION DE LA LAME ET DÉBRANCHER LA TONDEUSE!
2. Utiliser un morceau de bois de 10 cm sur 60 cm (2 po X 4 po) d'une longueur d'environ 10 cm (2 pi) afin d'empêcher la lame de tourner lorsqu'on retire l'écrou de la lame.
3. Porter des gants. Placer le morceau de bois et retirer l'écrou de la manière illustrée à la figure 9.
4. Retirer la cale inférieure de la lame, la rondelle isolante inférieure et la lame (fig. 10).
5. Lorsqu'on remet la lame affûtée ou une nouvelle lame sur l'épaulement du ventilateur, s'assurer que les arêtes tranchantes de la lame se dirigent vers le sol. Installer la rondelle isolante inférieure sur l'épaulement du ventilateur. Puis placer la cale inférieure de la lame et l'écrou de la lame sur l'arbre.

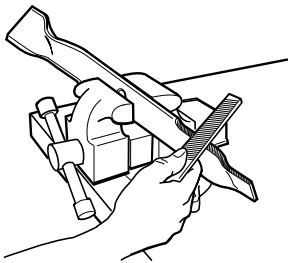
NOTE : Aligner les plats de l'arbre sur les plats de la rondelle isolante inférieure et abaisser la cale. Placer le bout de bois pour empêcher la lame de tourner (fig. 11) et bien serrer l'écrou de la lame.



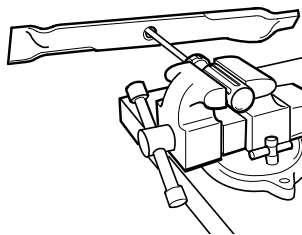
AFFÛTAGE ET ÉQUILIBRAGE DE LA LAME (FIGURES 12 ET 13)

1. RELÂCHER LE LEVIER DE L'INTERRUPTEUR POUR ARRÊTER LA TONDEUSE, ATTENDRE L'IMMOBILISATION DE LA LAME ET DÉBRANCHER LA TONDEUSE!
2. Enlever la lame de la tondeuse. Consulter les rubriques relatives au retrait et à l'installation de la lame.
3. Fixer la lame dans un étau (fig. 12).
4. Porter des lunettes de sécurité et prendre soin de ne pas se couper.
5. Limer avec soin les arêtes tranchantes de la lame avec une lime à dents fines ou une meule.
6. Vérifier l'équilibrage de la lame en accrochant cette dernière par son trou central sur un clou ou un tournevis retenu horizontalement dans un étau. Lorsqu'une extrémité de la lame s'abaisse, meuler ou limer cette extrémité. La lame est bien équilibrée lorsqu'aucun bout ne s'abaisse (fig. 14).
7. Remettre la lame en place et bien la serrer.

12



13



LISTE DE DÉPANNAGE

PROBLÈME	SOLUTION
- Impossibilité de démarrer	<ul style="list-style-type: none"> - Vérifier le fusible ou le disjoncteur de la prise pour s'assurer que celle-ci fonctionne. - Essayer la rallonge avec un autre outil pour la vérifier. - Communiquer avec un représentant du service à la clientèle au 1 (800) 544 6986.
- Ralentissement du moteur	<ul style="list-style-type: none"> - Il peut y avoir une accumulation de brindille sous le châssis. DÉBRANCHER la tondeuse et la nettoyer. - L'herbe peut être trop haute, avancer plus lentement ou soulever la hauteur de coupe. - Vérifier l'affûtage et l'équilibrage de la lame; corriger le cas échéant. - Lors du déchiquetage, l'herbe peut être trop dense. DÉBRANCHER la tondeuse et fixer le couloir d'éjection pour disperser les brindilles.
- Tonte inégale	<ul style="list-style-type: none"> - La lame peut être émoussée; débrancher la tondeuse et vérifier la lame. - La lame peut être endommagée (courbée ou très éméchée); DÉBRANCHER la tondeuse et remplacer la lame au besoin. - L'herbe peut être trop haute ou trop dense pour la hauteur de coupe; DÉBRANCHER la tondeuse et en augmenter la hauteur de coupe.
- Vibrations excessives	<ul style="list-style-type: none"> - La lame peut être lâche; DÉBRANCHER la tondeuse et bien serrer la lame. - La lame peut être endommagée (courbée ou très éméchée); DÉBRANCHER la tondeuse et remplacer la lame au besoin. - La lame peut être déséquilibrée. Consulter la rubrique relative à l'équilibrage de la lame du présent guide.
- Tondeuse difficile à manier	<ul style="list-style-type: none"> - La tondeuse est trop près du sol pour la quantité d'herbe à tondre; DÉBRANCHER la tondeuse et en augmenter la hauteur de coupe. - DÉBRANCHER la tondeuse et en vérifier les roues et les essieux pour s'assurer qu'ils tournent librement.
- Tondeuse laisse des amas d'herbe	<ul style="list-style-type: none"> - Il y a trop d'herbe; DÉBRANCHER la tondeuse et en augmenter la hauteur de coupe. - Lors du déchiquetage, l'herbe peut être trop dense. DÉBRANCHER la tondeuse et fixer le couloir d'éjection pour disperser les brindilles. - DÉBRANCHER la tondeuse et vérifier si la lame est bien affûtée. - L'herbe peut être trop mouillée pour être coupée. Attendre que l'herbe sèche.
- Blocage du couloir ou du sac	<ul style="list-style-type: none"> - L'herbe peut être trop mouillée; recommencer lorsque la pelouse est sèche. - Il y a trop d'herbe; DÉBRANCHER la tondeuse et en augmenter la hauteur de coupe.

LUBRIFICATION

Ne pas lubrifier. Ne pas graisser les roues. Celles-ci comportent des roulements en plastique qui ne nécessitent aucune lubrification.

ACCESSOIRES

On peut se procurer les accessoires recommandés pour l'outil chez les détaillants ou au centre de service de la région. Pour trouver un accessoire, composer le numéro suivant : 1 (800) 544-6986.

AVERTISSEMENT : L'utilisation de tout autre accessoire peut être dangereuse.

Renseignements relatifs au service

Black & Decker exploite un réseau complet de centres de service et d'ateliers d'entretien autorisés par toute l'Amérique du Nord. Le personnel de tous les centres de service Black & Decker a reçu la formation voulue pour assurer l'entretien efficace et fiable des outils électriques.

Pour obtenir des renseignements d'ordre technique, des conseils relatifs aux réparations ou des pièces de rechange d'origine, communiquer avec le centre de service Black & Decker de la région.

On peut trouver l'adresse du centre de service de la région dans l'annuaire des Pages jaunes à la rubrique «Outils électriques» ou en composant le numéro suivant : 1 (800) 544-6986.

GARANTIES

Garantie complète de deux ans pour utilisation domestique

Black & Decker garantit le produit pour une période de deux ans contre les vices de matière ou de fabrication. Le produit défectueux sera réparé ou remplacé sans frais conformément à l'une des conditions suivantes.

Pour échanger l'outil, il suffit de le retourner au détaillant (si le détaillant participe au programme d'échange rapide Black & Decker). Le retour doit être effectué dans les délais impartis par la politique de retour du détaillant (habituellement entre 30 et 90 jours suivant la date d'achat). Le détaillant peut exiger une preuve d'achat. Prière de vérifier la politique de retour du détaillant au-delà des délais impartis.

On peut également retourner l'outil (port payé) à un centre de service Black & Decker ou à tout autre atelier d'entretien accrédité pour y être remplacé ou réparé, à notre gré. On peut exiger une preuve d'achat. Les adresses des centres de service Black & Decker se trouvent à la rubrique «Outils électriques» des Pages Jaunes.

La présente garantie ne vaut pas pour les accessoires. Les modalités de la présente garantie donnent des droits légaux spécifiques. L'utilisateur peut également se prévaloir d'autres droits selon l'état ou la province qu'il habite. Pour obtenir de plus amples renseignements, communiquer avec le directeur du centre de service Black & Decker de la région.

Garantie du châssis

Le châssis est garanti à vie seulement contre les vices de matière ou de fabrication.

Le produit n'est pas conçu pour une utilisation commerciale.

Importé par
Black & Decker Canada Inc.
100 Central Ave.
Brockville (Ontario) K6V 5W6

Voir la rubrique "Outils électriques"
des Pages jaunes
pour le service et les ventes.



ESPAÑOL

 **BLACK & DECKER®**

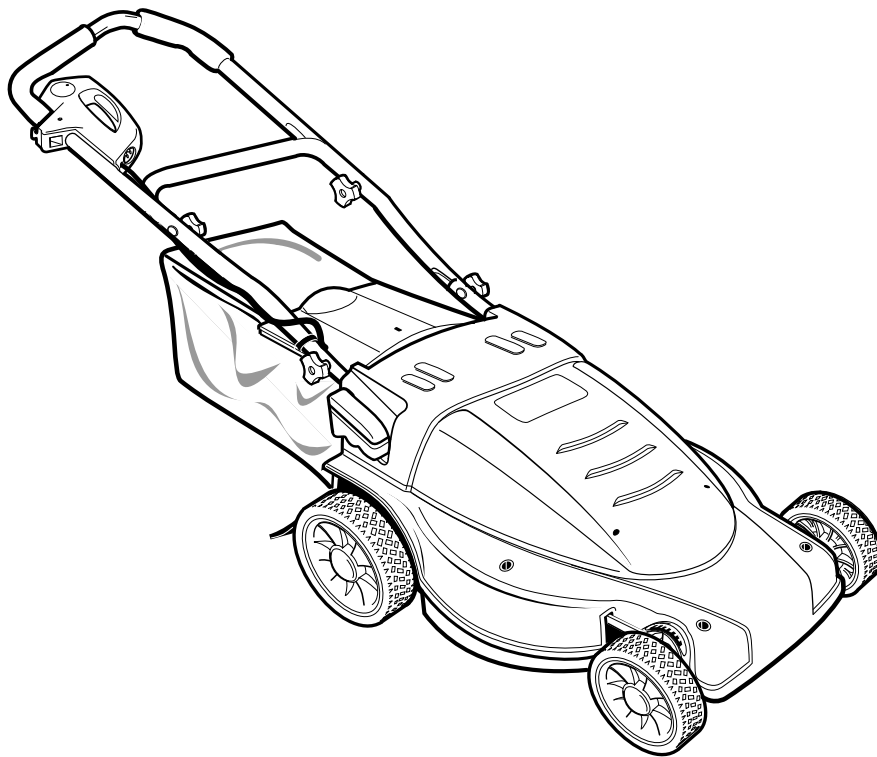


LAWN HOG

**PODADORA
DESBROZADORA DE 482,6 mm (19")**

MANUAL DE INSTRUCCIONES

MM875



INFORMACION CLAVE QUE DEBE SABER

- Cubierta eterna 3 en 1 para desbrozar, descargar y embolsar (la bolsa es opcional)
- No opere la podadora a menos que el mango esté asegurado en su posición.
- Para obtener mejores resultados de corte, conserve la cuchilla afilada y balanceada.
- Inspeccione y limpie a conciencia su podadora antes de cada uso (una cubierta con pasto acumulado afectará el rendimiento).
- Asegúrese de que el área de podado esté libre de otras personas y de mascotas antes de iniciar la operación.

CONSERVE ESTE MANUAL PARA REFERENCIAS FUTURAS

ANTES DE DEVOLVER ESTE PRODUCTO POR
CUALQUIER RAZON POR FAVOR LLAME

(55) 5326-7100

⚠️ ADVERTENCIA: Advertencias e instrucciones importantes de seguridad

⚠️ ADVERTENCIA: Cuando use herramientas eléctricas de jardinería, debe seguir ciertas precauciones básicas de seguridad para reducir los riesgos de incendio, choque eléctrico y lesiones personales, entre las que se encuentran las siguientes.

LEA TODAS LAS INSTRUCCIONES

PARA REDUCIR EL RIESGO DE LESIONES:

- Antes de cualquier uso, asegúrese que cualquier persona que emplee esta herramienta lea y comprenda todas las instrucciones de seguridad y demás información contenida en este manual.

- Conserve estas instrucciones y revíselas con frecuencia antes de usar la herramienta y de instruir a terceras personas.

⚠️ ADVERTENCIA: Parte del polvo originado por este producto contiene químicos que en el Estado de California se consideran como causantes de cáncer, defectos congénitos u otros daños reproductivos. Algunos ejemplos de estos químicos son:

- compuestos en fertilizantes
- compuestos en insecticidas, herbicidas y pesticidas
- arsénico y cromo de madera tratada químicamente

Para reducir su exposición a estos químicos, utilice equipo de seguridad aprobado como máscaras contra polvo diseñadas específicamente para filtrar partículas microscópicas.

⚠️ ADVERTENCIA: Este producto contiene químicos, incluyendo plomo, que en el Estado de California se consideran como causantes de cáncer y defectos congénitos u otros daños reproductivos. Lave sus manos después de manejarlo.

⚠️ ADVERTENCIAS E INSTRUCCIONES GENERALES DE SEGURIDAD PARA TODAS LAS HERRAMIENTAS

⚠️ ADVERTENCIAS E INSTRUCCIONES DE SEGURIDAD: DOBLE AISLAMIENTO

PARTES DE REPUESTO: Cuando efectúe servicio utilice únicamente refacciones idénticas Black & Decker.

⚠️ INSTRUCCIONES IMPORTANTES DE SEGURIDAD: CLAVIJAS POLARIZADAS

Para reducir el riesgo de choque eléctrico, este equipo cuenta con una clavija polarizada (con una pata más ancha que la otra). Este equipo debe usarse con una extensión polarizada adecuada de 2 o 3 hilos. Las conexiones polarizadas se acoplan de una sola manera. Asegúrese que el extremo de la extensión con el contacto tenga una ranura más larga que la otra. Si la clavija no se adapta perfectamente al cable de extensión, invírtala. Si aún así no se ajusta, obtenga la extensión adecuada. Si la extensión no se acopla perfectamente a la toma de corriente, comuníquese con un electricista calificado para que le instale una toma apropiada. No modifique la clavija de la podadora o de la extensión de ninguna manera.

ESTA HERRAMIENTA PUEDE SER PELIGROSA. Siga todas las advertencias e instrucciones de seguridad de este manual. El operador es responsable de seguir las advertencias e instrucciones señaladas en este manual y en la unidad. Restrinja el uso de esta herramienta a personas que lean, comprendan y sigan las advertencias e instrucciones incluidas en este manual y en la unidad.

- **EVITE AMBIENTES PELIGROSOS.** No utilice podadoras en lugares mojados o inundados. No utilice las podadoras bajo la lluvia.
- **CONSERVE APARTADOS A LOS NIÑOS.** Todas las personas y mascotas deben permanecer a distancia segura del área de trabajo.
- **GUARDE LA PODADORA BAJO TECHO.** Las podadoras deben guardarse bajo techo, en una zona seca y segura – fuera del alcance de los niños.
- **NO FUERCE LA PODADORA.** Esta hará mejor su trabajo y de manera y con menor riesgo de ocasionar una lesión bajo las especificaciones para las que se diseñó.
- **UTILICE EL APARATO APROPIADO.** No utilice la podadora para ningún trabajo excepto para aquél para el que está destinado.
- **VISTASE DE MANERA APROPIADA.** No utilice prendas de vestir flojas ni piezas

de joyería. Pueden quedar atrapadas en las piezas móviles. Se recomienda el empleo de pantalones largos y de calzado resistente, antiderrapante cuando trabaje a la intemperie. No trabaje con los pies descalzos o con sandalias.

- **UTILICE GAFAS DE SEGURIDAD Y DEMAS EQUIPO DE PROTECCION.** Utilice gafas o anteojos de seguridad con cubiertas laterales, que cumplan con los estándares de seguridad y, cuando se requiera, una máscara. Utilice también una máscara contra polvo si la operación lo produce. Esto se aplica a todas las personas que estén en el área de trabajo. Utilice también un casco, protección auditiva, guantes, calzado de seguridad y sistemas de recolección de polvo cuando así se especifique o se requiera. Las gafas de seguridad están a su disposición con cargo adicional con el distribuidor de su localidad o en los centros de servicio Black & Decker.
- **NO MALTRATE EL CABLE.** Nunca acarree la podadora tomándola por el cable, ni tire de éste para desconectarlo de la toma de corriente. Aleje el cable de calor, grasa y bordes afilados.
- **NO SE SOBREEXTIENDA.** Conserve los pies bien apoyados, al igual que el balance.
- **CUIDE SU PODADORA.** Conserve la cuchilla limpia y afilada para obtener el mejor rendimiento y para reducir el riesgo de lesiones. Siga las instrucciones de lubricación y cambio de accesorios. Inspeccione el cable de la podadora y, si está dañado, hágalo reparar en una estación de servicio autorizado. Inspeccione los cables periódicamente y cámbielos cuando estén dañados. Conserve los mangos secos, limpios y libres de aceite y grasa.
- **DESCONECTE LA PODADORA.** Desconecte la podadora de la toma de corriente cuando no la use, antes de darle servicio, y cuando cambie de accesorios, como la cuchilla.
- **CONSERVE LA GUARDAS** en su sitio y en funcionamiento.
- **EVITE EL ENCENDIDO ACCIDENTAL.** No transporte la podadora conectada con el dedo en el interruptor. Asegúrese que el interruptor esté en posición de apagado antes de conectar la podadora.
- **ANTES DE USAR LA PODADORA,** inspecciónela visualmente para verificar que la cuchilla, sus sujetadores y el montaje no estén desgastados o dañados. Reemplace las cuchillas y tornillos desgastados o dañados en juegos para conservar el balance. Inspeccione el cable de la podadora - asegúrese de que esté en buenas condiciones. El aislamiento del cable deberá estar intacto, sin cuarteaduras o deterioro.
- **CABLES DE EXTENSION.** Asegúrese que el cable de extensión esté en buenas condiciones. El aislamiento del cable debe estar intacto sin cuarteaduras ni deterioro. Los conectores de la clavija no deben tener daños. Cuando use un cable de extensión, asegúrese de utilizar una con el calibre adecuado para soportar la corriente que su aparato necesita. Un cable de extensión con calibre inferior al necesario causará una caída en el voltaje de la línea ocasionando pérdida de potencia y sobrecalentamiento, lo que puede acortar la vida del motor. La tabla muestra el calibre correcto para usarse de acuerdo con la longitud del cable y el amperaje señalado en la placa de identificación. Si tiene dudas, utilice el calibre siguiente. Mientras menor sea el número del calibre, mayor será su capacidad.

Calibre mínimo para cables de extensión

Volts	Longitud total del cable en pies				
	0-25	26-50	51-100	101-150	151-300
120V					
240V	0-50	51-100	101-200	201-300	
Amperaje		American Wire Gage			
Más de	No más de				
0	6	18	16	16	14
6	10	18	16	14	12
10	12	16	16	14	12
12	16	14	12	No se recomienda	



- **□** indica que la podadora tiene “DOBLE AISLAMIENTO”
- **CABLES DE EXTENSION PARA USO A LA INTEMPERIE.** **⚠️ ADVERTENCIA:** Para reducir el riesgo de choque eléctrico, utilícese únicamente con cables de extensión para uso a la intemperie, como los tipos SW-A, SOW-A, STW-A, STOW-A, SJW-A, SJOW-A, SJTW-A, o SJTOW-A.
- **INTERRUPTOR DE CIRCUITO POR FALLA EN TIERRA (GFCI).** Debe utilizarse protección de este tipo en los circuitos o tomas que se utilizarán con el aparato de jardinería. Existen tomas de corriente con la protección GFCI integrada y pueden utilizarse para esta medida de seguridad.
- **ESTE ALERTA.** Concéntrese en lo que esté haciendo. Use el sentido común. No opere la podadora cuando esté cansado, enfermo o bajo la influencia de drogas o alcohol.
- **REVISE LAS PARTES DAÑADAS.** Antes de seguir utilizando la podadora, debe revisar cuidadosamente las guardas u otras partes que se hayan dañado, para determinar si cumplen bien con su función. Revise la alineación de las partes móviles, el montaje de las piezas, rupturas de partes y cualesquiera otras condiciones que pudiesen afectar su operación. Una guarda u otra parte dañada debe repararse o cambiarse apropiadamente en un centro de servicio autorizado a menos que se indique otra cosa en este manual.
- **REPARACIONES Y SERVICIO.** Las reparaciones, el mantenimiento y los ajustes no especificados por este manual deben efectuarse en centros de servicio autorizado Black & Decker u otras organizaciones de servicio calificado, que siempre utilicen refacciones idénticas.
- **USO DE ACCESORIOS Y DISPOSITIVOS.** El uso de cualquier accesorio o dispositivo no recomendado para emplearse con esta podadora puede ser peligroso. Nota: consulte la sección relacionada con los accesorios en este manual para conocer los detalles.

⚠️ ADVERTENCIAS ADICIONALES PARA PODADORAS

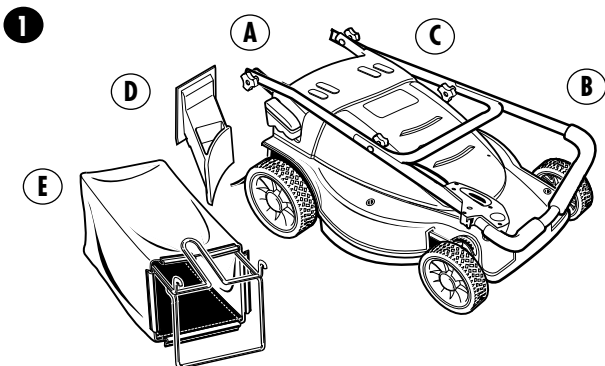
- Inspeccione **CONCIENZUDAMENTE** el área en donde se va a utilizar la podadora y retire todas las piedras, varas, alambres, huesos y demás objetos extraños que pudiesen ser lanzados por la cuchilla. Los objetos golpeados por la cuchilla pueden ocasionar lesiones de gravedad a las personas.
- **NO** opere la podadora cuando esté descalzo o cuando calce sandalias.
- **NUNCA** intente ajustar la altura de las ruedas con el motor en funcionamiento o cuando la podadora esté conectada.
- **NO** ponga las manos o los pies cerca de las piezas giratorias. Conserve siempre libre la abertura de descarga.
- **LIBERE** la palanca del interruptor para apagar la podadora cuando atraviese caminos de grava o para plegar el mango.
- **SI LA PODADORA** se atasca, libere la palanca del interruptor para apagar la podadora, espere a que la cuchilla se detenga, y desconecte el cable antes de intentar desbloquear la bahla de descarga o de remover cualquier cosa de debajo de la cubierta.
- **DESPUES DE GOLPEAR** un objeto extraño, suelte la palanca del interruptor para apagar la podadora, espere a que la cuchilla se detenga y desconecte la podadora. Revise la unidad en busca de cualquier daño, y repare el daño antes de volver a operar la podadora.
- **SI LA PODADORA** comienza a vibrar anormalmente, suelte la palanca del interruptor para que la cuchilla se detenga y desconecte la podadora para revisar la causa inmediatamente. Las vibraciones generalmente son advertencia de problemas.
- **LIBERE LA PALANCA DEL INTERRUPTOR** para apagar la podadora, espere a que la cuchilla se detenga y desconéctela dondequiera que la deje, antes de desmontar la bolsa para pasto, el canal de descarga lateral, o de destapar o limpiar la carcaza de la podadora, y cuando haga cualquier inspección o reparación.
- **PODE** a través de las cuestas, nunca hacia arriba y hacia abajo. Tenga extrema precaución cuando cambie de dirección en las cuestas. No pade en cuestas excesivamente inclinadas.
- **CONSERVE MANOS** y pies lejos del área de corte.
- **CONSERVE AFILADAS** las cuchillas.
- **SI** usted utiliza una bolsa para pasto, revísela con frecuencia en busca de desgaste y deterioro. Si está desgastada excesivamente, cámbiela por otra por su propia seguridad.
- **TENGA PRECAUCION EXTREMA** cuando camine hacia atrás o cuando tire de la podadora hacia usted.

CONSERVE ESTAS INSTRUCCIONES

INSTRUCCIONES DE ENSAMBLAJE

ANTES DE ENSAMBLAR SU PODADORA, VERIFIQUE QUE HAYA RECIBIDO LO SIGUIENTE EN LA CAJA. OBSERVE LA FIGURA 1.

- A. Podadora
- B. Mango superior
- C. Mango Inferior
- D. Inserto de desbroce
- E. Bolsa para pasto y estructura



DESEMPAQUE LA PODADORA

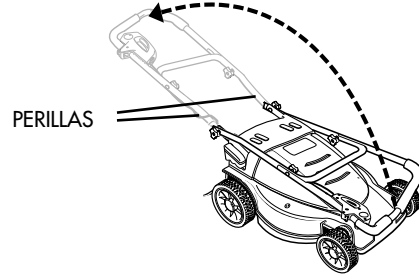
1. La caja de su podadora debe contener la podadora, 2 mangos, instalados, el inserto de desbroce y la bolsa para pasto junto con su estructura.
2. Su podadora se ha ensamblado completamente en la fábrica con excepción de la bolsa para pasto. Saque la bolsa para pasto, la estructura, la podadora y el relleno de la caja.

DESPLIEGUE Y AJUSTE DEL MANGO (FIGURA 2)

1. **DESCONECTE LA HERRAMIENTA, Y ESPERE A QUE LA CUCHILLA SE DETENGA COMPLETAMENTE.**
2. Levante la sección del mango y colóquela en la posición debida apretando las dos perillas. Tenga cuidado de no aprisionar o dañar el cable de alimentación al ajustar los mangos.
3. Hay tres orificios en el mango superior, que permiten ajustar la altura del mango en tres posiciones. Seleccione el orificio que mejor se adapte a su

estatura. Instale los tornillos en el interior de los mangos de manera que las perillas queden por la parte externa (para evitar que interfieran con la puerta trasera y la bolsa para pasto). Apriete las perillas con firmeza.

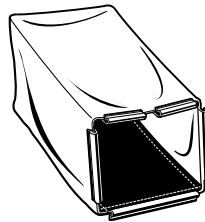
2



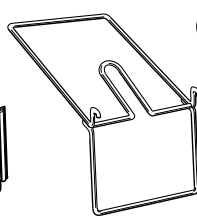
ENSAMBLAJE DE LA BOLSA PARA PASTO (FIGURAS 3A, 3B, 3C, 3D)

1. **DESCONECTE LA HERRAMIENTA, Y ESPERE A QUE LA CUCHILLA SE DETENGA COMPLETAMENTE.**
2. Antes de empezar a ensamblar la bolsa para pasto con la estructura, verifique que ambas sean similares a la Figura 3A.
3. Deslice la bolsa para pasto en la estructura como se muestra en la Figura 3B.
4. Ensamble las pinzas de la parte superior a la estructura como se muestra en la figura 3C, a continuación ensamble las dos pinzas laterales y por último la pinza inferior.
5. Vea la bolsa para pasto completamente ensamblada en la figura 3D.

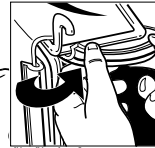
3A



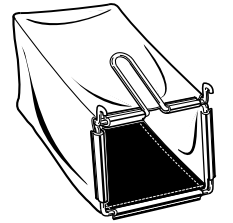
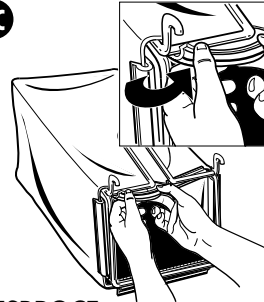
3B



3C



3D



DESBROCE:

La podadora está diseñada para desbrozar o embolsar el pasto dependiendo de que la puerta de desbroce esté cerrada (desbroce) o no, o la bolsa esté en su sitio (descarga). No se requieren más pasos de ensamblaje si usted va a desbrozar. PROCEDA CON LAS INSTRUCCIONES DE OPERACION.

INSTALACION DE LA BOLSA PARA PASTO (FIGURAS 4A, 4B, 4C)

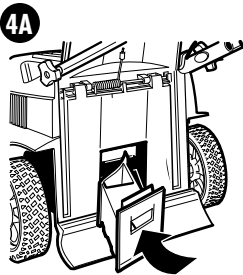
(Si desea embolsar los recortes en vez de desbrozarlos, efectúe estos pasos)

1. **DESCONECTE LA HERRAMIENTA Y ESPERE A QUE LA CUCHILLA SE DETENGA POR COMPLETO.**
2. Levante la puerta de descarga y sujétela arriba como se muestra en la Figura 4A.
3. Coloque su mano en el bolsillo del mango, como se muestra en la Figura 4A, levante y tire del inserto de desbroce por completo.
4. Tome la bolsa para pasto por el mango y baje la bolsa por entre los mangos de la podadora como se muestra en la Figura 4B. Coloque los ganchos para colgar de la bolsa para pasto en la podadora como se ilustra en la Figura 4C. La puerta trasera para descarga funciona con un resorte, cuando la suelte, la puerta descansará contra el montaje de la bolsa para pasto.

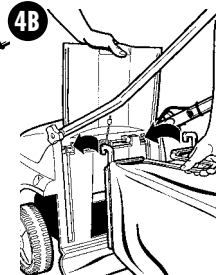


Advertencia: Nunca opere la podadora a menos que los ganchos para colgar de la bolsa para pasto hayan asentado apropiadamente en la podadora y la puerta de descarga trasera se apoye firmemente sobre la parte superior de la bolsa para pasto.

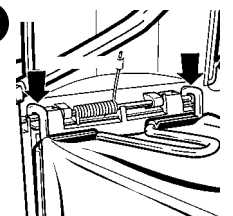
4A



4B



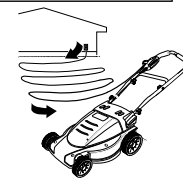
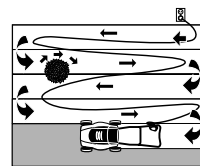
4C



INSTALACION DEL INSERTO PARA DESBROCE (DESBROCE)

1. DESCONECTE LA HERRAMIENTA Y ESPERE A QUE LA CUCHILLA SE DETENGA POR COMPLETO.
2. Levante la puerta de descarga trasera y sujétela así como se muestra en la figura 4A.
3. Deslice el inserto de desbroce en la abertura de descarga hasta que haga contacto firme con la cubierta.

7



INSTRUCCIONES DE OPERACION

NOTA: Una podadora es un aparato mayor y no debe operarse simultáneamente con otros aparatos mayores en el mismo circuito de la casa.

Advertencia: Asegúrese de que otras personas y mascotas estén por lo menos a 30 metros de distancia.

INSPECCIONE LA ZONA DE CORTE



Retire todas las piedras, varas, alambres, huesos y demás desperdicios que pudieran ser arrojados por las cuchilla en movimiento.

ALTURA DE CORTE APROXIMADA RECOMENDADA

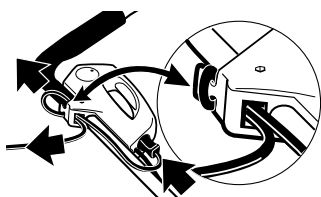
La altura de corte deberá ser mayor en clima cálido o bajo sombra y menor para el último podado antes del invierno.

INSTALACION DE UNA EXTENSION EN LA PODADORA (FIGURA 5)

NO conecte el cable de extensión a la alimentación de corriente hasta que haya terminado de leer este manual y esté listo para empezar a podar.

1. El cable de extensión debe ser polarizado y solo debe poder conectarse de una manera; oriente la ranura grande con la pata grande de la carcasa del interruptor.
2. Haga un rizo con el cable de extensión y empuje el rizo hacia arriba a través del orificio de la carcasa del interruptor.
3. Tire del cable de extensión por el lado del rizo que está conectado en la carcasa del interruptor y elimine el cable sobrante en esta sección del cable.
4. Coloque el rizo sobre la lengüeta de protección del cable en la carcasa del interruptor y tire del cable de manera que el rizo se ajuste alrededor de la lengüeta como se muestra en el detalle. Verifique doblemente que no se haya aflojado el cable de extensión.

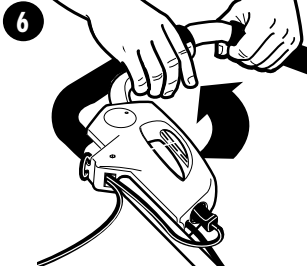
5



USO DEL INTERRUPTOR (FIGURA 6)

Su podadora está equipada con un interruptor especial. Para operar el interruptor, inserte el dedo en la abertura (Figura 6) y empuje la palanca hacia fuera de manera que pueda sujetarla con la otra mano. Tire de la palanca hacia atrás para encender la unidad y sujétela contra el mango de la podadora para conservarla en funcionamiento. Para apagar la podadora, simplemente suelte la palanca. La acción de resorte de la palanca apagará rápidamente la podadora.

PRECAUCION: NUNCA INTENTE ANULAR LA ACCION DE ESTE INTERRUPTOR.



CABLE DE EXTENSION A TOMA DE CORRIENTE (FIGURA 7)

1. Coloque la mayor parte del cable de extensión cerca de la toma de corriente, fuera del camino de la podadora. Instale la extensión en la podadora.
2. Empiece en la misma dirección en la que se encuentra el cable de la podadora, cerca de la toma de corriente. Comience a podar en la zona cercana a la toma de corriente haciendo recorridos hacia delante y hacia atrás. Note que el cable se conserva en la porción cortada del césped y fuera del camino de la podadora (Figura 7).
3. Evite cortar en círculos ya que será más difícil manejar el cable.

PASTOS DE TEMPORADA FRIA		
TIPO	SOMBRA	SOL
PASTO INCLINADO RASANTE	33.7 mm	16.7 mm
PASTO INCLINADO VELVER	6.3 mm	12.7 mm
PASTO AZULADO ANUAL	12.5 mm	25.4 mm
PASTO AZULADO DEL CANADA	76.2 mm	101.6 mm
PASTO AZULADO DE KENTUCKY	63.5 mm	76.2 mm
PASTO AZULADO ASPERO	25.4 mm	38.1 mm
BROMO SUAVE	76.2 mm	101.6 mm
RESUE FINO	38.1 mm	63.5 mm
FESCUE ALTO	63.5 mm	101.6 mm
BALLICO ANUA	50.8 mm	63.5 mm
PASTOS DE TEMPORADA CALIENTE		
TIPO	SOMBRA	SOL
PASTO BAHIA	50.8 mm	76.2 mm
PASTO BERMUDA	12.7 mm	25.4 mm
PASTO BUFFALO	38.1 mm	63.5 mm
PASTO ALFOMBRA	25.4 mm	50.8 mm
PASTO CENTIPEDO	25.4 mm	50.8 mm
PASTO SAN AGUSTIN	50.8 mm	76.2 mm
PASTO ZOYSIA	12.7 mm	25.4 mm

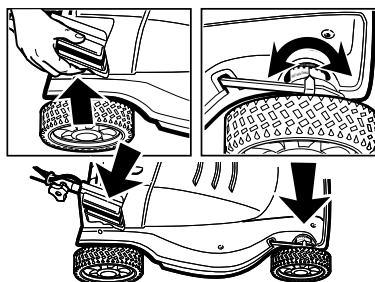
NOTA: El rango de altura de corte de su podadora está entre 31,7 mm y 88,9 mm.

AJUSTE DE ALTURA DE LAS RUEDAS (FIGURA 8)

1. ANTES DE HACER CUALQUIER AJUSTE, APAGUE, DESCONECTE LA PODADORA Y ESPERE A QUE LA CUCHILLA SE DETENGA.
2. Su podadora cuenta con el sistema de ajuste de altura de ruedas de una palanca de Black & Decker. Este sistema ajusta la altura de las cuatro ruedas al mismo tiempo.
3. Para subir o bajar la altura de corte, observe la Figura 8. Apoye la palma de la mano en el apoyo, y con los dedos, oprima hacia arriba tomando la zona de agarre para los dedos, y sujete.
4. Mientras sujete la zona de agarre par los dedos, podrá subir o bajar la altura de corte. La podadora tiene ocho posiciones de ajuste de altura. Refiérase a la escala y al indicador (observe la Figura 8) en la parte frontal de la podadora. El indicador le dará el ajuste de altura para cortar su césped a la misma altura. Esta posición le servirá como referencia la próxima vez que quiera cortar su césped a la misma altura. Cuando haya ajustado la podadora a la altura deseada, simplemente suelte la zona de agarre para los dedos para fijar la altura.

Nota: Para asegurar que la cubierta este fija en un de las ocho posiciones de altura, presione sobre el apoyo para la para después de soltar la zona de agarre para los dedos.

8



POSICIONES DE ALTURA DE CORTE

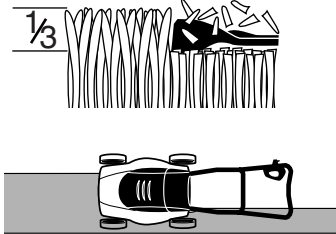
Posición	Corte
1 (BAJA)	31,7 mm (1-1 1/4")
2	38,1 mm (1-1/2")
3	44,4 mm (1-3/4")
4	50,8 mm (2")
5	63,5 mm (2-1/2")
6	76,2 mm (3")
7	81,3 mm (3-1/4")
8 (ALTA)	88,9 mm (3-1/2")

RECOMENDACIONES PARA DESBROCE

En la configuración de desbroce su podadora nueva está diseñada para re-cortar los recortes de pasto a longitudes mucho menores.

Estos recortes, que se dispersan al podar, se degradan rápidamente y le proporcionan nutrientes a su césped.

- Ajuste la podadora a la posición de corte más alta cuando pade en suelo agreste o en hierbas altas.
- Evite cortar el césped cuando esté mojado. El pasto mojado tiende a formar plastas con las acción de desbroce. La mejor hora para cortar su césped es temprano por la tarde.
- Para obtener los mejores resultados, ajuste la altura de corte de la podadora de manera que corte únicamente el tercio superior de las hojas de pasto.
- Si su césped está muy crecido, puede ser necesario incrementar la altura de corte para reducir el efecto de empuje y evitar sobrecargar el motor.
- Para desbroces extremadamente pesados, haga cortes angostos y muévase lentamente.
- Cambie su patrón de corte de semana a semana. Pade de norte a sur una semana y de este a oeste a la semana siguiente. Esto evitará que el césped se maltrate.



PRECAUCION: No intente desbloquear la cámara de la cuchilla azotando o golpeando la podadora contra el piso. Esto puede dañar la unidad. Conserve las manos lejos de la cuchilla al limpiar.

DESCARGA (DISPONIBLE COMO OPCION CON COSTO EXTRA)

La podadora, con la rampa de descarga opcional, se puede usar para dispersar los recortes de pasto en el césped.

1. La descarga puede ser necesaria si el pasto llena la bolsa opcional demasiado rápido.
2. Los recortes pueden dispersarse, en caso necesario, con la ayuda de un soplador de patio.
3. En condiciones de pasto pesado, se puede requerir de una pasada más angosta.

EMBOLSADO

Se recomienda embolsar los recortes de pasto en el primer podado de primavera y en el último podado de la temporada para desalentar las enfermedades.

1. Es preferible embolsar los recortes algunas veces para disminuir el desplazamiento de estos recortes a piscinas, tinas y al interior de la casa.
2. Los recortes se pueden añadir a su depósito de composta y utilizarse posteriormente como fertilizante natural.

LIMPIEZA Y GUARDADO

¡Advertencia! Asegúrese de que la herramienta esté desconectada.

Elimine y limpie cualquier desecho de la parte exterior de la podadora y del interior de la guarda antes de guardarla. Guárdela bajo la cubierta. Véase la sección **MANTENIMIENTO**.

NOTA: No guarde la herramienta sobre fertilizantes o productos químicos ni cerca de ellos. Esto puede ocasionar la rápida corrosión de piezas metálicas.

Evite la corrosión

Los fertilizantes y otros productos químicos de jardinería contienen agentes que aceleran la corrosión en los metales. Si usted usa su herramienta en áreas en las que se han utilizado fertilizantes u otros químicos, la herramienta deberá limpiarse de inmediato después de usarla.

Limpie todas las piezas con un trapo húmedo. Puede lubricar únicamente las piezas de metal con aceite con base de petróleo. No lubrique las ruedas.

La limpieza a la parte inferior de la podadora se facilita haciéndola inmediatamente después del podado (**ASEGURESE QUE LA PODADORA ESTE DESCONECTADA Y QUE SE HA DETENIDO**). Se puede utilizar periódico o toallas de papel arrugados para limpiar los residuos de pasto acumulado.

Una cubierta de podado limpia mejora la eficiencia de la cuchilla y conserva el rendimiento alto. Cuando limpie, **NO** sumerja la herramienta en agua ni la rocíe con una manguera. Utilice únicamente jabón suave y un trapo húmedo para limpiar la podadora. Nunca permita que se introduzcan líquidos en la podadora ni sumerja ninguna parte de ésta en ningún líquido.

MANTENIMIENTO

Antes de cada temporada de podado desconecte la podadora y asegúrese de que la cuchilla se ha detenido. Revise todas las tuercas, los tornillos y los pernos para asegurar el ajuste apropiado. Asegúrese de revisar el sistema de fijación de la cuchilla.

IMPORTANTE: Para garantizar la **SEGURIDAD** y la **CONFIABILIDAD** del producto, las reparaciones, el mantenimiento y los ajustes deberán ser efectuados en centros de servicio autorizado u otras organizaciones de servicio calificado. Utilice únicamente refacciones idénticas.

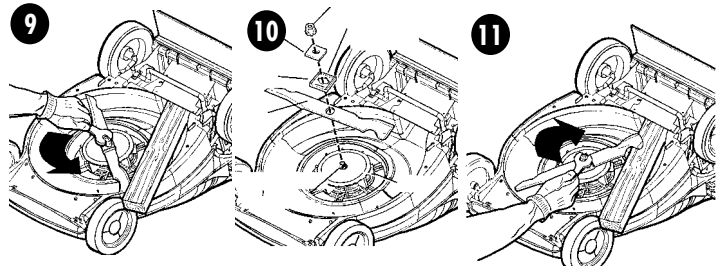
Inspeccione y limpie a conciencia su podadora al inicio de cada temporada de podado para mayor duración y mejor rendimiento.

De cuando en cuando, apague la podadora y espere a que la cuchilla se detenga. A continuación, desconecte el cable y cloque la podadora sobre uno de sus lados. Con la ayuda de un objeto como una vara o un trapo, limpie cualquier depósito de pasto en el área de la cuchilla. También limpie cualquier desecho que se haya acumulado alrededor de la zona de descarga. Tenga cuidado con los filos de la cuchilla.

REMOCION E INSTALACION DE CUCHILLAS (FIGURAS 9, 10, 11)

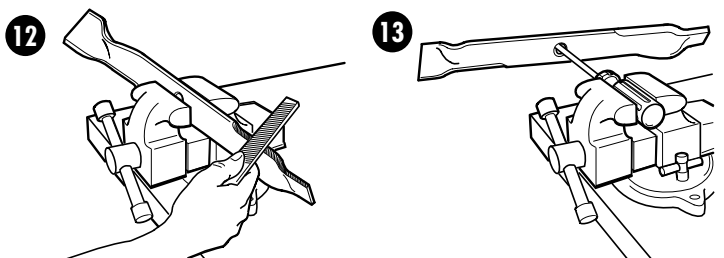
1. **LIBERE LA PALANCA DEL INTERRUPTOR PARA APAGAR LA PODADORA, ESPERE A QUE LA CUCHILLA SE DETENGA Y DESCONECTE LA PODADORA.**
2. Use una pieza de madera de 10 cm de ancho por 60 cm de longitud para evitar que la cuchilla gire al aflojar la tuerca.
3. Emplee guantes para protegerse las manos y quite la tuerca como se observa en la Figura 9.
4. Retire el espaciador inferior de la cuchilla, la arandela aisladora inferior y la cuchilla (Figura 10).
5. Cuando coloque la cuchilla afilada o nueva en el hombro del ventilador, asegúrese que la etiqueta que indica el lado que debe quedar hacia el pasto "GRASS SIDE" quede hacia la tierra. Coloque la arandela aisladora sobre el hombro del ventilador. A continuación coloque el espaciador inferior y la tuerca de la cuchilla en la flecha.

NOTA: Alinee las partes planas de la flecha con las partes planas del aislador inferior y con la ayuda de la pieza de madera coloque la cuchilla de manera que no gire para poder apretar la tuerca. (Figura 11)



AFILADO Y BALANCEO DE LA CUCHILLA: (FIGURAS 12 Y 13)

1. **ASEGURESE DE QUE LA PALANCA DEL INTERRUPTOR ESTE LIBRE Y QUE LA CUCHILLA SE HAYA DETENIDO Y EL CABLE ESTE DESCONECTADO ANTES DE SACAR LA CUCHILLA.**
2. Saque la cuchilla de la podadora. Vea las instrucciones para la remoción y colocación de la cuchilla.
3. Asegure la cuchilla en una prensa como se muestra en la Figura 12.
4. Use anteojos de seguridad y tenga cuidado de no cortarse.
5. Afile cuidadosamente los bordes cortantes de la cuchilla con una lima de dientes finos o con una piedra de afilar.
6. Verifique el balance de la cuchilla colocando la perforación central sobre un clavo o sobre el vástago de un destornillador sujetado en una prensa. Si cualquiera de los extremos gira hacia abajo, afile ese extremo. La cuchilla está balanceada correctamente cuando ninguno de los extremos cae. (Figura 13)
7. Coloque la cuchilla en la podadora y apriete con firmeza.



PROBLEMA	ACCION CORRECTIVA
- El motor no enciende	- Revise el fusible o el interruptor de circuito para asegurar que haya corriente en la toma - Pruebe la extensión con otro aparato para asegurar que funcione. - Llame a servicio a clientes (55) 5326 7100
- El motor funciona lento	- La parte inferior de la podadora puede estar bloqueada con pasto acumulado. DESCONECTE la podadora y limpie. - Pruebe subiendo la altura de corte ya que el pasto puede estar muy alto o empuje a un paso más lento. - Verifique que la cuchilla tenga filo y esté balanceada, corrijala en caso necesario. - Si está desbrozando, puede ser mucho pasto, DESCONECTE la podadora y coloque el canal de descarga para dispersar el pasto recortado.
- Funciona pero corta pobremente	- La cuchilla puede no tener filo, desconecte la podadora y revise con cuidado que tenga filo. - La cuchilla puede estar dañada (doblada o mellada), DESCONECTE la podadora y cambie la cuchilla si es necesario. - El pasto puede estar muy alto, o muy grueso, DESCONECTE la podadora y suba la altura de podado.
- Vibración excesiva	- La cuchilla puede estar floja. DESCONECTE la podadora y verifique que la cuchilla esté apretada. - La cuchilla puede estar doblada o mellada, DESCONECTE la podadora y cambie la cuchilla. - La cuchilla puede estar desbalanceada. Consulte la sección referente al balanceo en este manual.
- Es difícil empujar la podadora	- La podadora está muy cerca al suelo con la cantidad de pasto a cortar, DESCONECTE la podadora y suba la altura de podado. - DESCONECTE la podadora y revise la ruedas y los ejes para asegurar que giren con libertad.
- La podadora deja mechones de pasto	- Demasiado pasto, DESCONECTE la podadora y suba la altura de corte. - Si está desbrozando, puede ser demasiado pasto, DESCONECTE la podadora e instale el canal de descarga para dispersar el pasto. - DESCONECTE la podadora y revise con cuidado el filo de la cuchilla. - El pasto puede estar demasiado mojado para cortarlo. Espere a que seque para podarlo.
- Bloqueo de descarga/bolsa	- El pasto puede estar muy húmedo, trate de nuevo cuando el pasto esté seco. - Demasiado pasto, DESCONECTE la podadora y suba la altura de corte.

Garantía completa para uso doméstico por dos años

Black & Decker (U.S.) garantiza este producto por dos años completos contra cualquier falla originada por materiales o mano de obra defectuosos. El producto defectuoso será reemplazado o reparado sin cargo alguno en cualquiera de las siguientes dos maneras:

La primera, que resulta únicamente en cambios, es regresar el producto al vendedor al que se compró (en la suposición que es un distribuidor participante). Las devoluciones deberán hacerse dentro del tiempo estipulado por la política de cambios del distribuidor (usualmente de 30 a 90 días después de la venta). Se puede requerir prueba de compra. Por favor verifique con el vendedor las políticas específicas de devolución relacionadas a las devoluciones en tiempo posterior al estipulado para cambios.

La segunda opción es llevar o enviar el producto (con porte pagado) a los centros de servicio Black & Decker propios o autorizados, para que la reparemos o reemplacemos a nuestra opción. Se puede requerir prueba de compra. Los centros de servicio Black & Decker propios y autorizados están enlistados bajo "Herramientas eléctricas" en la sección amarilla del directorio telefónico.

Esta garantía no se aplica a los accesorios. Esta garantía le otorga derechos legales específicos y usted pudiera tener otros derechos que varíen de estado a estado. Si tiene cualquier pregunta, comuníquese con el gerente del centro de servicio Black & Decker más cercano a usted.

Garantía en la cubierta

Garantía de por vida para la CUBIERTA únicamente contra cualquier defecto en el material o mano de obra.

Este producto no ha sido diseñado para uso comercial.

Vea "Herramientas eléctricas (Tools-Electric)" – Páginas amarillas – para Servicio y ventas



BLACK & DECKER S.A. DE C.V.
BOSQUES DE CIDROS ACCESO RADIATAS NO. 42
COL. BOSQUES DE LAS LOMAS.
05120 MÉXICO, D.F.
TEL. 55-5326-7100

LUBRICACION:

No se requiere lubricación. No aceite las ruedas. Tienen baleros con superficie plástica que no requiere lubricación.

ACCESORIOS:

Los accesorios recomendados para usarse con su herramienta están a su disposición con el distribuidor o en el centro de servicio autorizado de su localidad. Si necesita ayuda en relación con los accesorios, por favor llame: (55) 5326 7100.

⚠️ ADVERTENCIA: El empleo de cualquier accesorio no recomendado para usarse con esta herramienta puede ser peligroso.

Información de servicio

Black & Decker ofrece una red completa de centros de servicio propiedad de la compañía y franquiciados a través de toda Norteamérica. Todos los centros de servicio Black & Decker cuentan con personal capacitado para proporcionar el servicio a herramientas más eficiente y confiable.

Siempre que necesite consejo técnico, reparaciones o partes de repuesto genuinas, comuníquese con el centro Black & Decker más cercano a usted.

Para encontrar su centro de servicio local, consulte la sección amarilla bajo "Herramientas eléctricas", o llame al: **(55) 5326-7100**

Free Manuals Download Website

<http://myh66.com>

<http://usermanuals.us>

<http://www.somanuals.com>

<http://www.4manuals.cc>

<http://www.manual-lib.com>

<http://www.404manual.com>

<http://www.luxmanual.com>

<http://aubethermostatmanual.com>

Golf course search by state

<http://golfingnear.com>

Email search by domain

<http://emailbydomain.com>

Auto manuals search

<http://auto.somanuals.com>

TV manuals search

<http://tv.somanuals.com>