



TRIMMER / EDGER INSTRUCTION MANUAL

Model Numbers NST1118, NST2118

Thank you for choosing Black & Decker! Go to www.BlackandDecker.com/NewOwner to register your new product.

PLEASE READ BEFORE RETURNING THIS PRODUCT FOR ANY REASON:

If you have a question or experience a problem with your Black & Decker purchase, go to

WWW.BLACKANDDECKER.COM/INSTANTANSWERS
for instant answers 24 hours a day.

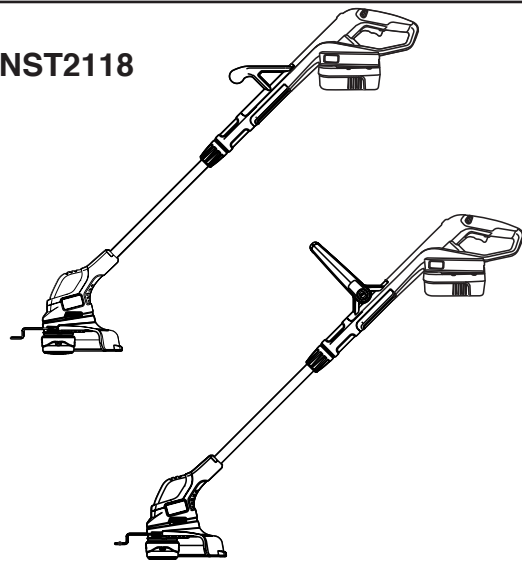
If you can't find the answer or do not have access to the internet, call 1-800-544-6986 from 8 a.m. to 5 p.m. EST Mon. - Fri to speak with an agent.

Please have the catalog number available when you call.

**SAVE THIS MANUAL FOR FUTURE REFERENCE.
VEA EL ESPAÑOL EN LA CONTRAPORTADA.
POUR LE FRANÇAIS, VOIR LA COUVERTURE ARRIÈRE.**

INSTRUCTIVO DE OPERACIÓN, CENTROS DE SERVICIO
Y PÓLIZA DE GARANTÍA. ADVERTENCIA: LÉASE ESTE
INSTRUCTIVO ANTES DE USAR EL PRODUCTO.

Model #
NST1118, NST2118



KEY INFORMATION YOU SHOULD KNOW:

- The guard must be installed before trimming or edging - if not, the motor will overheat (page 6).
- When replacing the line, use only .065 inch diameter ROUND line (B&D Model #AF-100 is recommended) - otherwise the tool will not function properly (page 9).
- Do not bump the feed head against the ground - it will disrupt the feed mechanism.

TABLE OF CONTENTS

Safety Guidelines - Definitions	2
Important Safety Warnings and Instructions	2
Components.....	4
Important Safety Instructions for Battery Chargers.....	4
Charging Procedure.....	5
Assembly / Adjustment	6
Operating Instructions.....	8
Replacement Accessories	9
Maintenance	11
Troubleshooting	11
Service Information	12
Full Two-Year Home Use Warranty	12

SAFETY GUIDELINES - DEFINITIONS

It is important for you to read and understand this manual. The information it contains relates to protecting YOUR SAFETY and PREVENTING PROBLEMS. The symbols below are used to help you recognize this information.

⚠ DANGER: Indicates an imminently hazardous situation which, if not avoided, will result in death or serious injury.

⚠ WARNING: Indicates a potentially hazardous situation which, if not avoided, could result in death or serious injury.

⚠ CAUTION: Indicates a potentially hazardous situation which, if not avoided, may result in minor or moderate injury.

NOTICE: Used without the safety alert symbol indicates a potentially hazardous situation which, if not avoided, may result in property damage.

⚠ IMPORTANT SAFETY WARNINGS AND INSTRUCTIONS

⚠ WARNING: When using electric gardening appliances, basic safety precautions should always be followed to reduce risk of fire, electric shock, and personal injury, including the following.

Read All Instructions

⚠ WARNING:

- **ALWAYS WEAR EYE PROTECTION** – Wear safety spectacles or goggles at all times when this tool is plugged in.
- **GUARD** – Do not use this tool without guard attached.
- **DRESS PROPERLY** – Do not wear loose clothing or jewelry. They can be caught in moving parts. Rubber gloves and substantial rubber soled footwear are recommended when working outdoors. Don't operate the tool when barefoot or wearing open sandals. Wear long pants to protect your legs. Wear protective hair covering to contain long hair.
- **NYLON LINE** – Keep face, hands and feet clear of rotating nylon line at all times.
- **THE ROTATING LINE PERFORMS A CUTTING FUNCTION** – Use care when trimming around screens and desirable plantings.
- **KEEP ALL BYSTANDERS AWAY** – at a safe distance from work area, especially children.
- **IMPORTANT WARNING** – When being used as an Edger, stones, pieces of metal and other objects can be thrown out at high speed by the line. The tool and guard are designed to reduce the danger. However, the following special precautions should be taken:
 - **MAKE SURE** that other persons and pets are at least 100 feet (30m) away.
 - **TO REDUCE THE RISK** of rebound (ricochet) injury, work going away from any nearby solid object such as wall, steps, large stone, tree, etc. Use great care when working close to solid objects and where necessary, do edging or trimming by hand.
 - **AVOID ACCIDENTALLY STARTING** – Don't carry plugged-in tool with finger on trigger.

- **DO NOT FORCE THE TOOL** – at a rate faster than the rate at which it is able to cut effectively.
- **USE THE RIGHT TOOL** – Do not use this tool for any job except that for which it is intended.
- **DON'T OVERREACH** – Keep proper footing and balance at all times.
- **DAMAGE TO UNIT** – If you strike or become entangled with a foreign object, stop tool immediately, unplug, check for damage and have any damage repaired before further operation is attempted. Do not operate with a broken hub or spool.
- **DISCONNECT TOOL** – when not in use, when replacing line, or prior to cleaning.
- **AVOID DANGEROUS ENVIRONMENTAL CONDITIONS** – Do not use electric tools in damp or wet locations. Follow all instructions in this Instruction Manual for proper operation of your tool. Don't use the tool in the rain.
- **DO NOT OPERATE** portable electric tools in gaseous or explosive atmospheres. Motors in these tools normally spark, and the sparks might ignite fumes.
- **STORE IDLE TOOLS INDOORS** – When not in use, tools should be stored indoors in a dry, locked-up place out of reach of children.
- **STAY ALERT** – Watch what you are doing. Use common sense. Do not operate tool when you are tired.
- **MAINTAIN APPLIANCES WITH CARE** – Follow instructions in maintenance section. Keep handles dry, clean and free from oil and grease.
- **CHECK DAMAGED PARTS** – Before further use of the appliance, a guard or other part that is damaged should be carefully checked to determine that it will operate properly and perform its intended function. Check for alignment of moving parts, binding of moving parts, breakage of parts, mounting, and any other condition that may affect its operation. A guard or other part that is damaged should be properly repaired or replaced by an authorized service center unless otherwise indicated elsewhere in this manual.
- DO NOT immerse tool in water or squirt it with a hose. DO NOT allow any liquid to get inside it.
- DO NOT store the tool on or adjacent to fertilizers or chemicals.
- DO NOT clean with a pressure washer.
- Keep guards in place and in working order.
- Keep hands and feet away from cutting area.

SAVE THESE INSTRUCTIONS

The label on your trimmer may include the following symbols. The symbols and their definitions are as follows:

V.....volts	A.....amperes
Hz.....hertz	W.....watts
min.....minutes	~ or Ac..... alternating current
=== or DC..... direct current	no.....no load speed
Ⓛ..... Class I Construction (grounded)	Ⓧ..... earthing terminal
⚠..... safety alert symbol	Ⓛ..... Class II Construction (double insulated)
.../min or rpm... revolutions or reciprocation per minute	

⚠ WARNING: Some dust created by this product contains chemicals known to the State of California to cause cancer, birth defects or other reproductive harm. Some examples of these chemicals are:

- compounds in fertilizers
- compounds in insecticides, herbicides and pesticides
- arsenic and chromium from chemically treated lumber

To reduce your exposure to these chemicals, wear approved safety equipment such as dust masks that are specially designed to filter out microscopic particles.

BATTERY CAP INFORMATION

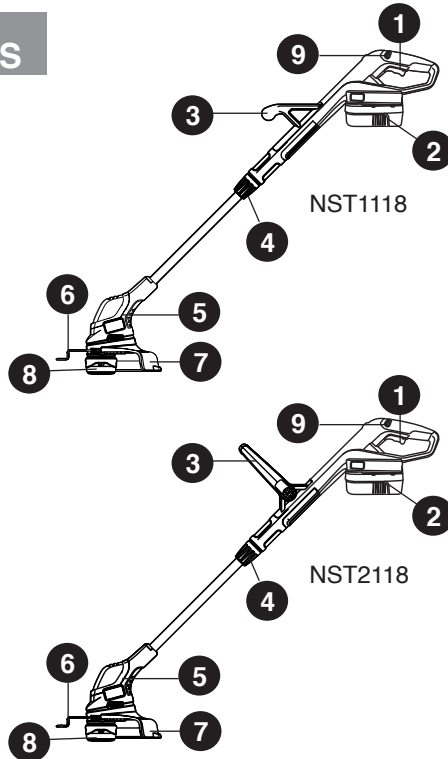
Battery storage and carrying caps are provided for use whenever the battery is out of the unit or charger. Remove cap before placing battery in charger or unit.

⚠ WARNING: Fire hazard. Do not store or carry battery so that metal objects can contact exposed battery terminals. For example, do not place battery in aprons, pockets, tool boxes, product kit boxes, drawers, etc., with loose nails, screws, keys, etc. Transporting batteries can possibly cause fires if the battery terminals inadvertently come in contact with conductive materials such as keys, coins, hand tools and the like. The US Department of Transportation Hazardous Material Regulations (HMR) actually

prohibit transporting batteries in commerce or on airplanes (i.e., packed in suitcases and carry-on luggage) UNLESS they are properly protected from short circuits. So when transporting individual batteries, make sure that the battery terminals are protected and well insulated from materials that could contact them and cause a short circuit.

COMPONENTS

1. Switch
2. Battery
3. Auxillary Handle
4. Collar (to adjust height and edge)
5. Motor Housing
6. Edge Guide
7. Guard
8. Spool
9. Lock-off button



⚠ IMPORTANT SAFETY INSTRUCTIONS FOR BATTERY CHARGERS

1. This manual contains important safety and operating instructions.
2. Before using battery charger, read all instructions and cautionary markings on (1) battery charger, (2) battery pack, and (3) product using battery pack.
3. ⚠ **CAUTION:** To reduce the risk of injury, charge only Black & Decker Battery Packs. Other types of batteries may burst causing personal injury and damage.
4. Do not expose charger to rain or snow.
5. Use of an attachment not recommended or sold by Black & Decker may result in a risk of fire, electric shock, or injury to persons.
6. To reduce risk of damage to electric plug and cord, pull by plug rather than cord when disconnecting charger.
7. Make sure cord is located so that it will not be stepped on, tripped over, or otherwise subjected to damage or stress.
8. An extension cord should not be used unless absolutely necessary. Use of improper extension cord could result in a risk of fire, electric shock or electrocution.
 - a. Two-wire cords can be used with 2-wire or 3-wire extension cords. Only round jacketed extension cords should be used, and we recommend that they be listed by Underwriters Laboratories (U.L.). If the extension is to be used outside, the cord must be suitable for outdoor use. Any cord marked for outdoor use can also be used for indoor work. The letters "W" or "WA" on the cord jacket indicate that the cord is suitable for outdoor use.
 - b. An extension cord must have adequate wire size (AWG or American Wire Gauge) for safety, and to prevent loss of power and overheating. The smaller the gauge number of the wire, the greater the capacity of the cable; that is, 16 gauge has more capacity than 18 gauge. When using more than one extension to make up the total length, be sure each extension contains at least the minimum wire size.

Volts	Minimum Gauge for Cord Sets				
	Total Length of Cord in Feet				
120V	0-25	26-50	51-100	101-150	
240V	0-50	51-100	101-200	201-300	
Ampere Rating					
More Than		Not more Than		American Wire Gauge	
0	-	6	18	16	14
6	-	10	18	16	12
10	-	12	16	16	12
12	-	16	14	12	Not Recommended

9. Use only the supplied charger when charging your unit. The use of any other charger could damage the battery pack or create a hazardous condition.
10. Use only one charger when charging.
11. Do not attempt to open the charger or the unit. There are no customer serviceable parts inside. Return to any authorized Black & Decker service center.
12. DO NOT incinerate battery packs even if they are severely damaged or completely worn out.
13. Do not incinerate the batteries. They can explode in a fire. A small leakage of liquid from the battery cells may occur under extreme usage, charging or temperature conditions. This does not indicate a failure. However, if the outer seal is broken and this leakage gets on your skin:
 - a. Wash quickly with soap and water.
 - b. Neutralize with a mild acid such as lemon juice or vinegar.
 - c. If the battery liquid gets in your eyes, flush them with clean water for a minimum of 10 minutes and seek immediate medical attention. **MEDICAL NOTE:** The liquid is a 25-35% solution of potassium hydroxide.

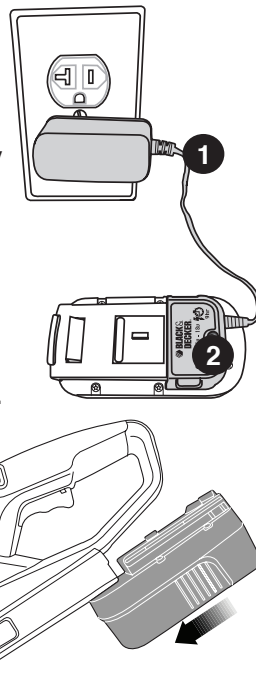
CHARGING PROCEDURE

THE BATTERY PACK IS NOT FULLY CHARGED AT THE FACTORY. CHARGE BATTERY PACK FOR AT LEAST 9 HOURS BEFORE USE.

The charger is designed to use standard household 120 volt 60 Hz power.

1. Plug the charger into any standard 120 Volt 60 Hz electrical outlet (**figure 1**).
2. Slide the charger onto the battery pack as shown in **figure 2** and let the battery pack charge initially for **9 hours**. After the initial charge, under normal usage, your battery pack should be fully charged in **6 to 9 hours**.
 - 2a) During charging the green LED will appear.
 - 2b) When charging is complete the green LED will go off.
3. Unplug charger, and remove the battery pack. **Place the battery pack into the tool until it "clicks" into place figure 3.**

NOTE: To remove the battery pack, press down on the release button on the back of the battery pack and slide out.



IMPORTANT CHARGING NOTES

1. After normal usage, your battery pack should be fully charged in **6 to 9 hours**. If the battery pack is run-down completely, it may take up to **9 hours** to become fully charged. Your battery pack was sent from the factory in an uncharged condition. Before attempting to use it, it must be charged for at least **9 hours**.

2. DO NOT charge the battery pack in an air temperature below +40°F(+4.5°C), or above +105°F (+40.5°C). This is important and will prevent serious damage to the battery pack. Longest life and best performance can be obtained if battery pack is charged when air temperature is about 75°F (24°C).
3. While charging, the charger may hum and become warm to touch. This is a normal condition and does not indicate a problem.
4. If the battery pack does not charge properly—(1) Check current at receptacle by plugging in a lamp or other appliance. (2) Check to see if receptacle is connected to a light switch which turns power off when you turn out the lights. (3) Move charger and battery pack to a surrounding air temperature of 40°F (+4.5°C) to 105°F (+40.5°C). (4) If the receptacle and temperature are OK, and you do not get proper charging, take or send the battery pack and charger to your local Black & Decker service center. See Tools Electric in yellow pages.
5. The battery pack should be recharged when it fails to produce sufficient power on jobs which were easily done previously. DO NOT CONTINUE using unit with its battery pack in a depleted condition.
6. The battery pack will reach optimum performance after being cycled 5 times during normal usage. There is no need to run the battery pack down completely before recharging. Normal usage is the best method of discharging and recharging the battery pack.

STORAGE RECOMMENDATION

1. Store tool:
 - a.) with the battery pack removed and on the charger.
 - b.) in a place that is cool and dry away from direct sunlight and excess heat or cold.
 - c.) out of the reach of children.
2. For prolonged storage such as over the winter, the battery pack should be fully charged and then removed from the charger. It should be charged again just prior to use.

LEAVING THE BATTERY PACK IN THE CHARGER

It is OK to leave battery packs on charge for long periods of time. The charger has a maintenance mode which gives the battery pack enough charge to stay “topped off”. If however, the tool is not expected to be needed for more than 30 days, unplug the charger

and store battery pack in a cool, dry location. NOTE: A battery pack will lose its charge when kept off of the charger. If the battery pack has not been kept on maintenance charge, it may need to be recharged before use. A battery pack may also lose its charge if left in a charger that is not plugged into an appropriate AC source.

ASSEMBLY & ADJUSTMENT

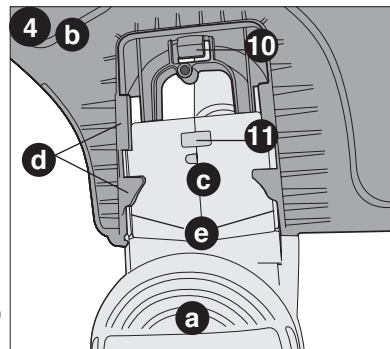
ASSEMBLY TOOLS

REQUIRED (NOT SUPPLIED):

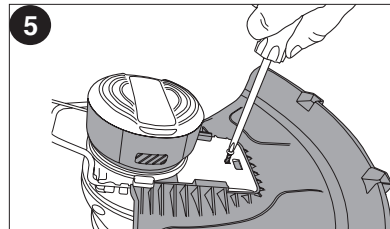
- Phillips Screwdriver

INSTALLING THE GUARD

⚠ WARNING: REMOVE THE BATTERY FROM THE TOOL BEFORE ATTEMPTING TO ATTACH THE GUARD, EDGE GUIDE OR HANDLE. NEVER OPERATE TOOL WITHOUT GUARD FIRMLY IN PLACE. THE GUARD MUST ALWAYS BE ON THE TOOL TO PROTECT THE USER.



- Turn the trimmer upside down so that you are looking down at the spool cap (a).
- Turn the guard (b) upside down and slide it fully onto the motor housing (c). Make sure the tabs (d) on the guard engage the ribs (e) on the motor housing as shown.
- Continue to slide the guard on until you hear it “snap” into place.



The locking tab (10) should be snapped into the housing slot (11).

- Using a Phillips screwdriver, insert the guard screw as shown in **figure 5** to complete the guard assembly.

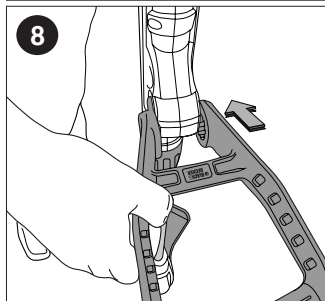
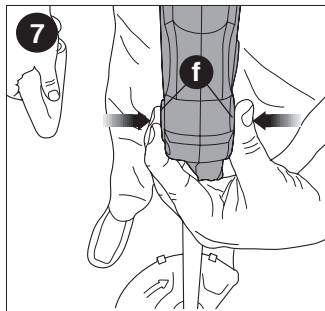
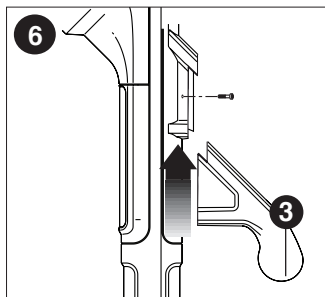
- Once the guard is installed, remove the covering from the line cut-off blade, located on the edge of the guard

ATTACHING THE AUXILIARY HANDLE (NST1118)

The handle (3) is shipped with the screw partially threaded in to prevent loss.

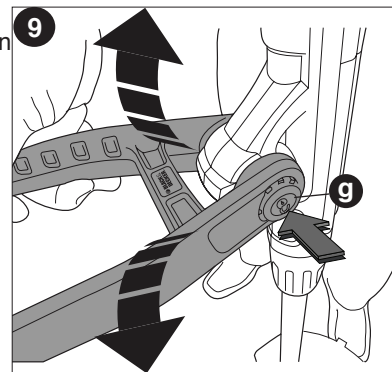
To attach the handle:

1. Remove the screw.
2. Slide the handle onto the handle housing as shown in **figure 6**.
3. Thread the screw back into the hole and tighten securely with a screwdriver.



- Position the handle as shown in **figure 8** (with the Black & Decker logo facing upward). Partially push the handle on so that it will hold the buttons in when you release them with your hand.

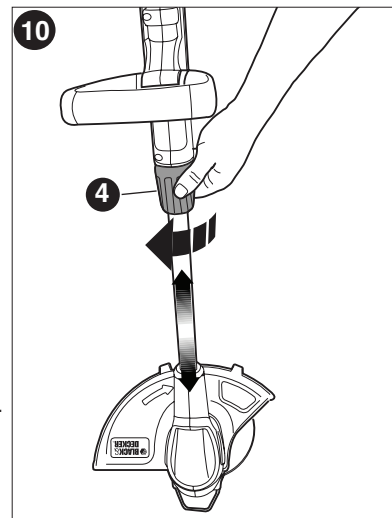
- Push the handle completely onto the housing and position it slightly until it “snaps” into place (**figure 9**).
- To adjust the handle up or down, press in on the button (g) and raise or lower the handle.
- The handle should be adjusted so that your front arm is straight when the trimmer is in the working position.



HEIGHT ADJUSTMENT

⚠ CAUTION: Adjust the length of the trimmer to obtain proper working positions as shown in **figure 11**.

- The overall height of the trimmer can be adjusted by loosening the collar (4) and rotating it in the direction of the arrow shown in **figure 10**.
- Move the upper housing straight up or down. When the desired height is achieved, tighten the collar by rotating it opposite of the direction shown in **figure 10**.



OPERATING INSTRUCTIONS

⚠ WARNING: Always use proper eye protection that conforms to ANSI Z87.1 (CAN/CSA Z94.3) while operating this power tool.

⚠ WARNING: Remove the battery before making any assembly, adjustments, or changing accessories. Such preventive safety measures reduce the risk of starting the trimmer accidentally.

⚠ CAUTION: Before you begin trimming, only use the appropriate type of cutting line.

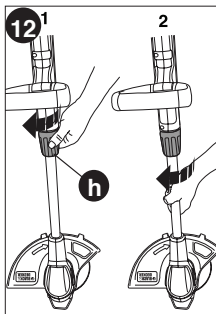
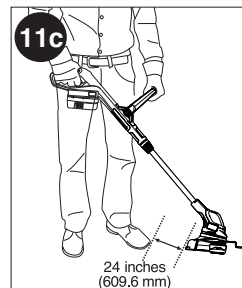
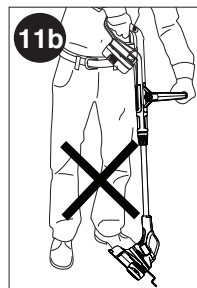
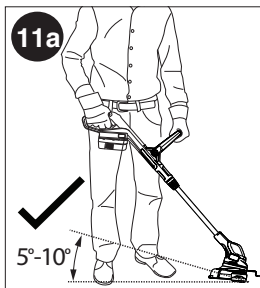
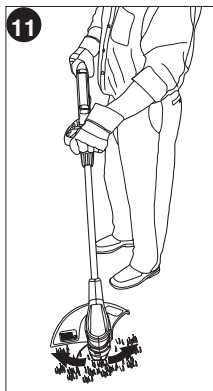
⚠ CAUTION: Inspect area to be trimmed and remove any wire, cord, or string-like objects which could become entangled in the rotating line or spool. Be particularly careful to avoid any wire which might be bent outwardly into the path of the tool, such as barbs at the base of a chain link fence.

SWITCHING ON AND OFF

- To switch the tool on, push the lock off button (9), and squeeze the trigger lever.
- To switch the tool off, release the trigger lever.

OPERATING THE TRIMMER

- With the unit on, angle unit and slowly swing the trimmer side to side as shown in **figure 11**.
- Maintain a cutting angle of 5° to 10° as shown in **figure 11a**. Do not exceed 10° (**figure 11b**). Cut with the tip of the line. To keep distance from hard surfaces use edge guide (6).
- Maintain a minimum distance of **24 inches (609.6 mm)** between the guard and your feet as shown in **figure 11c**. To achieve this distance adjust the overall height of the trimmer as shown in **figure 10**.



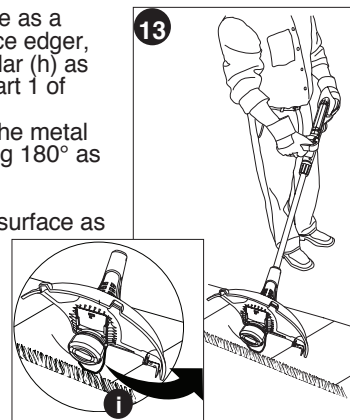
CONVERT TO EDGING MODE

⚠ WARNING: When being used as an Edger, stones, pieces of metal and other objects can be thrown out at high speed by the line. The trimmer and guard are designed to reduce the danger. However, **MAKE SURE** that other persons and pets are at least 100 feet (30m) away.

- To operate as a maintenance edger, turn the collar (h) as shown in part 1 of **figure 12**.

- Hold the metal shaft and rotate the lower housing 180° as shown in part 2.
- Turn the collar (h) until tight.
- Position the trimmer above the surface as shown in **figure 13**.

- Return to the trimming position by loosening the lock collar and rotating the lower housing back 180°. Turn the collar until tight.



CUTTING LINE / LINE FEEDING

Your trimmer uses **.065 inch (1.65 mm) diameter, ROUND nylon line**. During use, the tips of the nylon lines will become frayed and worn and the special self feeding spool will automatically feed and trim a fresh length of line. Cutting line will wear faster and require more feeding if the cutting or edging is done along sidewalks or other abrasive surfaces or heavier weeds are being cut. The advanced automatic line feeding mechanism senses when more cutting line is needed and feeds and trims the correct length of line whenever it's required. **DO NOT BUMP** unit on ground in attempt to feed line or for any other purposes.

REPLACEMENT ACCESSORIES

⚠ CAUTION: Before you begin trimming, only use the appropriate type of cutting line.

Use Black & Decker replacement spool Model No. AF-100.

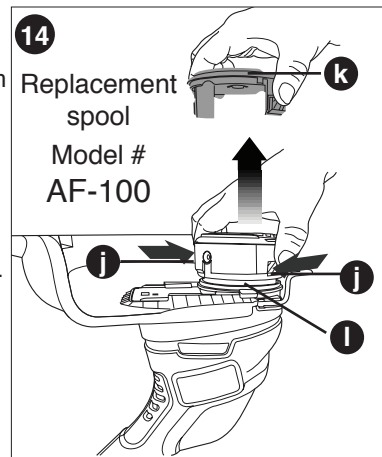
Reload nylon line (either bulk or prewound replacement spool) as shown in this manual.

- USE ONLY .065 inch (1.65 mm) DIAMETER ROUND NYLON MONOFILAMENT LINE. Do not use serrated or heavier gauge line, as they will overload the motor and cause overheating. This line is available at your local dealer or authorized service center.
- Other replacement parts (guards, spool caps, etc.) are available through Black & Decker service centers. To find your local service location call: **1-800-544-6986** or visit **www.blackanddecker.com**.

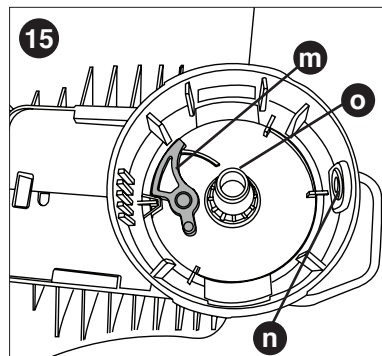
⚠ WARNING: The use of any accessory not recommended by Black & Decker for use with this tool could be hazardous.

REPLACING THE SPOOL

- Remove battery from tool.
- Depress the tabs (j) and remove the spool cap (k) from the spool housing (l) in the trimmer head (**figure 14**).
- For best results, replace spool with Black & Decker model # AF-100.
- Grasp empty spool with one hand and spool housing with other hand and pull spool out.

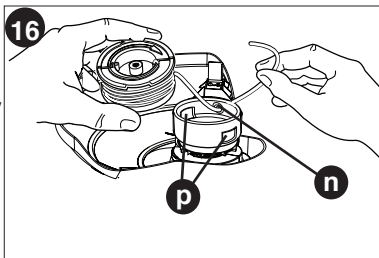


- If lever (m) (figure 15) in base of housing becomes dislodged, replace in correct position before inserting new spool into housing.
- Remove any dirt and grass from the spool and housing.
- Unfasten the end of the cutting line and guide the line into the eyelet (n) **figure 16**.
- Take the new spool and push it onto the boss (o) (figure 15) in the housing. Rotate the spool slightly until it is seated. The line should protrude approximately 5-3/8 inches (136mm) from the housing.



- Align the tabs on the spool cap with the slots (p) in the housing (figure 16).
- Push the cap onto the housing until it snaps securely into place.

CAUTION: To avoid tool damage, if the cutting line protrudes beyond the trimming blade, cut it off so that it just reaches the blade.



REWINDING SPOOL FROM BULK LINE (USE ONLY .065 IN. ROUND DIAMETER LINE)

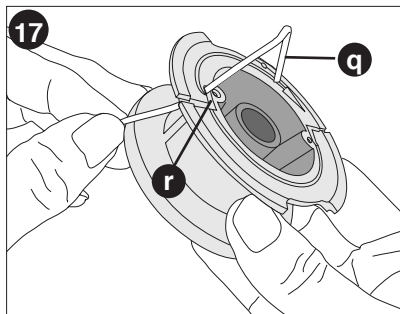
Bulk line is also available for purchase from your local retailer.

NOTE: Hand wound spools from bulk line are likely to become tangled more frequently than Black & Decker factory wound spools. For best results, factory wound spools are recommended.

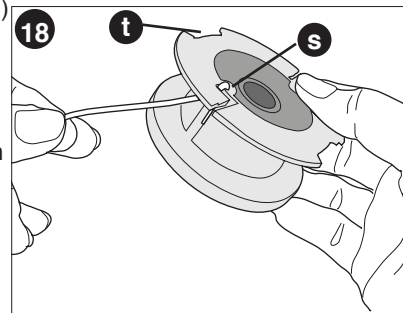
To install bulk line, follow the steps below:

- Remove battery from tool.
- Remove the empty spool from the tool as described in “REPLACING THE SPOOL”.
- Remove any remaining cutting line from the spool.

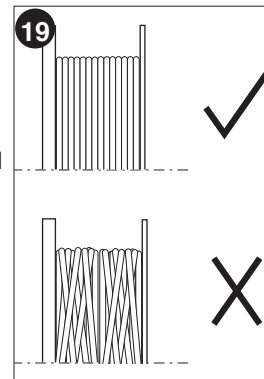
- Make a fold at the end of the cutting line at about 3/4 inch (19mm)(q). Feed the cutting line into one of the line anchoring slots (r) as shown in figure 17.



- Insert the 3/4 inch (19mm) end of the bulk line into the hole (s) in the spool adjacent to the slot as shown in figure 18. Make sure the line is pulled tight against the spool as shown in figure 18.



- Wind the cutting line onto the spool in the direction of the arrow on the spool. Make sure to wind the line on neatly and in layers. Do not crisscross (figure 19).
- When the wound cutting line reaches the recesses (t), cut the line. (figure 18).
- Fit the spool onto the tool as described in “REPLACING THE SPOOL”.



MAINTENANCE

⚠WARNING: To avoid serious injury, remove the battery from the tool before performing any maintenance.

1. Keep the air intake slots clean to avoid overheating.
2. Your trimmer line can dry out over time. To keep your line in top condition, store spare pre-wound spools or bulk line in a plastic, sealable bag with a tablespoon of water.
3. Plastic parts may be cleaned by using a mild soap and a damp rag.
4. The line cutter on the edge of the guard can dull over time. It is recommended you periodically touch-up the sharpness of the blade with a file.

IMPORTANT: To assure product SAFETY and RELIABILITY, repairs, maintenance and adjustment should be performed by authorized service centers or other qualified service organizations, always using identical replacement parts.

Battery Recycling and the RBRC™ Seal

The RBRC™ (Rechargeable Battery Recycling Corporation) Seal on the nickel-cadmium battery (or battery pack) indicates that the costs to recycle the battery (or battery pack) at the end of its useful life have already been paid by Black & Decker. In some areas, it is illegal to place spent nickel-cadmium batteries in the trash or municipal solid waste stream and the RBRC program provides an environmentally conscious alternative.

RBRC in cooperation with Black & Decker and other battery users, has established programs in the United States and Canada to facilitate the collection of spent nickel-cadmium batteries.

Help protect our environment and conserve natural resources by returning the spent nickel-cadmium battery to an authorized Black & Decker service center or to your local retailer for recycling. You may also contact your local recycling center for information on where to drop off the spent battery, or call **1-800-8-BATTERY**.



TROUBLESHOOTING

TOOL RUNS SLOWLY

- Check that the spool housing can rotate freely. Carefully clean it if necessary.
- Check that the cutting line does not protrude more than approximately 5-3/8 inches (136mm) from the spool. If it does, cut it off so that it just reaches the line trimming blade.

AUTOMATIC LINE FEED DOES NOT WORK

- Keep the tabs depressed and remove the spool from the spool housing in the trimmer head.
- Pull the cutting line until it protrudes approximately 5-3/8 inches (136mm) from the spool. If insufficient cutting line is left on the spool, install a new spool of cutting line.
- Ensure that the line is not crisscrossed on the spool as detailed in **figure 19**. If it is, unwind the cutting line, then wind it back on the spool neatly so that the lines do not cross.
- Ensure the beginning of the cutting line is pulled tight against the spool as shown in **figure 18**.
- Align the tabs on the spool cap with the cut outs in the housing.
- Push the spool onto the housing until it snaps securely into place.
- If the cutting line protrudes beyond the trimming blade, cut it off so that it just reaches the blade. If the automatic line feed still does not work or the spool is jammed, try the following suggestions:
 - Carefully clean the spool and housing.
 - Remove the spool and check if the lever in the spool housing can move freely.
 - Remove the spool and unwind the cutting line, then wind it on neatly again. Replace the spool into the housing.

SERVICE INFORMATION

All Black & Decker Service Centers are staffed with trained personnel to provide customers with efficient and reliable power tool service. Whether you need technical advice, repair, or genuine factory replacement parts, contact the Black & Decker location nearest you. To find your local service location, call: **1-800-544-6986** or visit **www.blackanddecker.com**

FULL TWO-YEAR HOME USE WARRANTY

Black & Decker (U.S.) Inc. warrants this product for two years against any defects in material or workmanship. The defective product will be replaced or repaired at no charge in either of two ways.

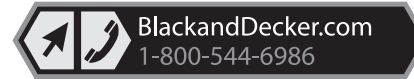
The first is to return the product to the retailer from whom it was purchased (provided that the store is a participating retailer). Returns should be made within the time period of the retailer's policy for exchanges (usually 30 to 90 days after the sale). Proof of purchase may be required. Please check with the retailer for their specific return policy regarding returns that are beyond the time set for exchanges.

The second option is to take or send the product (prepaid) to a Black & Decker owned or authorized Service Center for repair or replacement at our option. Proof of purchase may be required. This warranty does not apply to accessories. This warranty gives you specific legal rights and you may have other rights which vary from state to state or province to province. Should you have any questions, contact the manager of your nearest Black & Decker Service Center. This product is not intended for commercial use.

FREE WARNING LABEL REPLACEMENT: If your warning labels become illegible or are missing, call **1-800-544-6986** for a free replacement.

LATIN AMERICA: This warranty does not apply to products sold in Latin America. For products sold in Latin America, check country specific warranty information contained in the packaging, call the local company or see the website for warranty information.

Imported by
Black & Decker (U.S.) Inc.,
701 E. Joppa Rd.
Towson, MD 21286 U.S.A.



BLACK&DECKER®

**TAILLE-BORDURE / COUPE-
BORDURE MODE D'EMPLOI**
Numéros de modèle NST1118, NST2118

Merci d'avoir choisi Black & Decker!
Consulter le site Web [www.
BlackandDecker.com/NewOwner](http://www.BlackandDecker.com/NewOwner)
pour enregistrer votre nouveau produit.

**À LIRE AVANT DE RETOURNER CE PRODUIT
POUR QUELQUE RAISON QUE CE SOIT :**

Si des questions ou des problèmes surgissent après l'achat d'un produit
Black & Decker, consulter le site Web

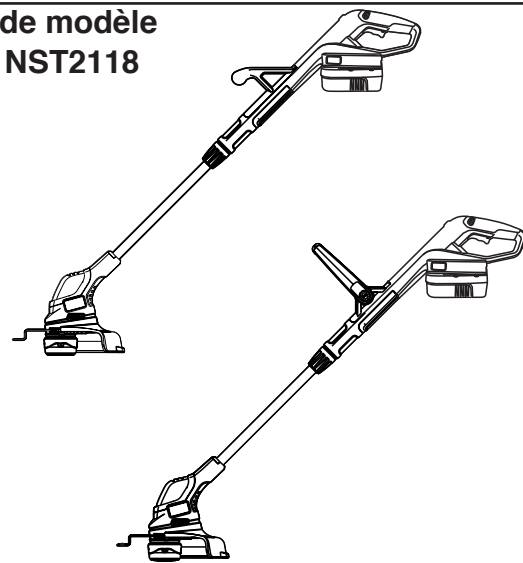
[HTTP://WWW.BLACKANDDECKER.COM/INSTANTANSWERS](http://www.blackanddecker.com/instantanswers)
pour obtenir des réponses instantanément 24 heures par jour.

Si la réponse est introuvable ou en l'absence d'accès à l'Internet,
composer le 1 800 544-6986 de 8 h à 17 h HNE, du lundi au vendredi,
pour parler avec un agent.

Prière d'avoir le numéro de catalogue sous la main lors de l'appel.

CONSERVER CE MANUEL POUR UN USAGE ULTÉRIEUR.

Numéros de modèle
NST1118, NST2118



**VOICI DES RENSEIGNEMENTS IMPORTANTS
QU'IL VOUS FAUT CONNAÎTRE :**

- Le pare-main doit être installé avant de débiter le taillage ou la coupe sinon le moteur surchauffera (page 20).
- Utiliser seulement un fil ROND de 1,7 mm (0,065 po) de diamètre lors du remplacement (modèle AF-100 de B&D recommandé), sinon l'appareil ne fonctionnera pas correctement (page 23).
- Éviter de frapper la tête d'alimentation contre le sol. En effet, cela endommagera le mécanisme d'alimentation.

TABLE DES MATIÈRES

Directives de sécurité - définitions	15
Avertissements de sécurité et directives de première importance	15
Composants	18
Directives de sécurité importantes pour les chargeurs de piles.....	18
Procédure de charge	19
Assemblage et réglage	20
Notice d'utilisation	22
Accessoires de rechange.....	23
Entretien.....	24
Dépannage	26
Information sur les réparations	26
Garantie complète de deux ans pour une utilisation domestique	26

LIGNES DIRECTRICES EN MATIÈRE DE SÉCURITÉ - DÉFINITIONS

Il est important que vous lisiez et compreniez ce mode d'emploi. Les informations qu'il contient concernent VOTRE SÉCURITÉ et visent à ÉVITER TOUT PROBLÈME. Les symboles ci-dessous servent à vous aider à reconnaître cette information.

⚠ **DANGER** : Indique une situation dangereuse imminente qui, si elle n'est pas évitée, causera la mort ou des graves blessures.

⚠ **AVERTISSEMENT** : Indique une situation potentiellement dangereuse qui, si elle n'est pas évitée, pourrait causer la mort ou de graves blessures.

⚠ **MISE EN GARDE** : Indique une situation potentiellement dangereuse qui, si elle n'est pas évitée, pourrait causer des blessures mineures ou modérées.

AVIS : Utilisé sans le symbole d'alerte à la sécurité, indique une situation potentiellement dangereuse qui, si elle n'est pas évitée, peut résulter en des dommages à la propriété.

⚠ AVERTISSEMENTS DE SÉCURITÉ ET DIRECTIVES DE PREMIÈRE IMPORTANCE

⚠ **AVERTISSEMENT** : Lorsque des outils de jardinage électriques sont utilisés, des précautions de base en matière de sécurité doivent toujours être suivies afin de réduire le risque d'incendie, de choc électrique et de blessure corporelle, notamment les suivantes.

Lire toutes les directives

- **TOUJOURS PORTER UNE PROTECTION OCULAIRE** - Porter des lunettes ou des lunettes protectrices en tout temps lorsque cet outil est branché.
- **DISPOSITIF DE PROTECTION** – Ne pas utiliser cet outil sans les dispositifs de protection en place.
- **S'HABILLER DE MANIÈRE APPROPRIÉE** - Ne pas porter de vêtements amples ni de bijoux. Ils peuvent s'enchevêtrer dans les pièces mobiles. Des gants en caoutchouc et des chaussures adéquates à semelles en caoutchouc sont recommandés lors de travaux à l'extérieur. Ne pas utiliser l'outil avec les pieds nus ou des sandales ouvertes. Porter des pantalons longs pour protéger vos jambes. Se couvrir les cheveux s'ils sont longs.
- **FIL EN NYLON** - Tenir le visage, les mains et pieds loin du fil de nylon rotatif en tout temps.
- **LE FIL EN ROTATION EXÉCUTE UNE COUPE** - Être attentif lors de taillage autour de grillages et de plates-bandes.
- **TENIR ÉLOIGNÉ TOUS LES SPECTATEURS** - À une distance sécuritaire de l'aire de travail, particulièrement les enfants.
- **AVERTISSEMENT IMPORTANT** : lorsque l'outil est utilisé comme coupe bordure, des pierres, morceaux de métal et autres objets peuvent être projetés à haute vitesse par le fil. L'outil et le dispositif de protection sont conçus pour réduire le risque. Toutefois, les précautions spéciales suivantes doivent être prises :

- **S'ASSURER** que toute personne et animaux sont éloignés d'au moins 30 m (100 pi).
- **POUR RÉDUIRE LE RISQUE** de blessures par ricochet, travaillez en vous éloignant de tout objet solide tel un mur, des marches, de grosses pierres, d'arbres, etc. Soyez très prudent lors de travaux près d'objets solides et, le cas échéant, taillez ou coupez manuellement.
- **ÉVITER LES DÉMARRAGES ACCIDENTELS** - Ne pas transporter d'outil branché avec le doigt sur la détente.
- **NE PAS FORCER L'OUTIL** - à tourner à une vitesse plus rapide que celle pour laquelle il est capable de couper efficacement.
- **UTILISER LE BON OUTIL** - Ne pas utiliser cet outil pour tout autre type de travail sauf pour celui pour lequel il est prévu.
- **NE PAS TROP TENDRE LES BRAS** - Conserver son équilibre en tout temps.
- **OUTIL ENDOMMAGÉ** - Si vous frappez ou devenez enchevêtré dans un objet, arrêtez immédiatement l'outil, débranchez-le puis inspectez pour toute trace de dommages qui devront être réparés avant une autre utilisation. Ne pas utiliser avec un moyeu ou une bobine brisés.
- **DÉBRANCHER L'OUTIL** – Lorsque inactif, lors de remplacement de fil ou avant un nettoyage.
- **ÉVITER LES CONDITIONS ENVIRONNEMENTALES DANGEREUSES** - Ne pas utiliser d'outils électriques dans des lieux humides ou mouillés. Suivre toutes les directives de ce mode d'emploi pour une utilisation adéquate de votre outil. Ne pas utiliser l'outil sous la pluie.
- **NE PAS UTILISER** d'outils électriques portatifs dans un milieu gazeux ou déflagrant. Les moteurs de ces outils produisent normalement des étincelles qui pourraient enflammer des vapeurs.
- **RANGER LES OUTILS INUTILISÉS À L'INTÉRIEUR** – Lorsqu'ils ne sont pas utilisés, les outils doivent être rangés à l'intérieur, dans un endroit sec et verrouillé, hors de portée des enfants.
- **ÊTRE VIGILANT** – Surveiller le travail effectué. Faire preuve de jugement. Ne pas utiliser l'outil en cas de fatigue.
- **PRENDRE SOIN DES OUTILS ÉLECTRIQUES** – Suivre les

directives figurant à la section Entretien. Maintenir les poignées sèches, propres et exemptes d'huile et de graisse.

- **VÉRIFIER LES PIÈCES ENDOMMAGÉES** – Avant toute utilisation ultérieure de l'appareil électrique, un dispositif de protection endommagé, ou toute autre pièce endommagée, doit être examiné soigneusement afin d'assurer un fonctionnement adéquat selon sa fonction prévue. Vérifier l'alignement des pièces mobiles, la présence de grippage des pièces mobiles, de rupture de pièces, la fixation et tout autre problème pouvant nuire au fonctionnement de l'outil. Un dispositif de protection endommagé, ou toute autre pièce endommagée, doit être réparé ou remplacé adéquatement par un centre de réparation autorisé à moins d'un avis contraire indiqué dans le présent mode d'emploi.

⚠AVERTISSEMENT : Pour réparer tout outil à double isolation, VEUILLEZ UTILISER DES PIÈCES DE RECHANGE IDENTIQUES.

Remplacer ou réparer les cordons endommagés.

⚠AVERTISSEMENT : Pour prévenir un choc électrique ou une électrocution, se servir uniquement d'une rallonge convenant à une utilisation à l'extérieur. Toujours brancher les rallonges à une prise avec fusible ou protégée par un disjoncteur.

- NE PAS immerger l'outil dans l'eau ou l'arroser au boyau.
- ÉVITER la pénétration de tout liquide dans l'outil.
- NE PAS ranger l'outil sur des engrais ou des produits chimiques ou près de ceux-ci.
- NE PAS nettoyer avec un nettoyeur à pression.
- Maintenir les pare-mains en place et en état de fonctionnement.
- Tenir les mains et les pieds éloignés de la zone de coupe.

CONSERVER CES MESURES.

L'étiquette apposée sur votre outil pourrait comprendre les symboles suivants. Les symboles et leurs définitions sont indiqués ci-après :

V..... volts	A..... ampères
Hz..... hertz	W..... watts
minminutes	~ ou AC.....courant alternatif
— ou DC.....courant continu	n _o sous vide
Ⓜ Construction de classe I (mis à la terre)	⊕ borne de mise à la minute
Ⓜ Construction de classe II	⚠ symbole d'avertissement
RPM ou .../min.....tours à la minute	

tels que des clous, des vis ou des clés. Le transport des piles peut causer un incendie si les bornes des piles entrent en contact involontairement avec des matières conductrices comme des clés, de la monnaie, des outils manuels et d'autres éléments semblables. Selon le règlement HMR du DOT (US Department of Transportation Hazardous Material Regulations), il est effectivement interdit de transporter des piles pour le commerce et dans les avions (c.-à-d. dans des valises et les bagages à main) À MOINS qu'elles ne soient bien protégées contre les courts-circuits. Pour le transport de piles individuelles, on doit donc s'assurer que les bornes sont protégées et bien isolées contre toute matière pouvant entrer en contact avec elles et provoquer un court-circuit.

⚠AVERTISSEMENT : Certaines poussières produites par cet outil contiennent des produits chimiques reconnus par l'État de la Californie comme pouvant causer le cancer, les anomalies congénitales et d'autres dangers pour la reproduction. Voici quelques exemples de ces produits chimiques :

- composés présents dans les engrais
- composés présents dans les insecticides, herbicides et pesticides
- arsenic et chrome provenant de bois traité chimiquement

Pour réduire votre exposition à ces produits chimiques, porter un équipement de sécurité approuvé comme un masque anti-poussières conçu spécialement pour filtrer les particules microscopiques.

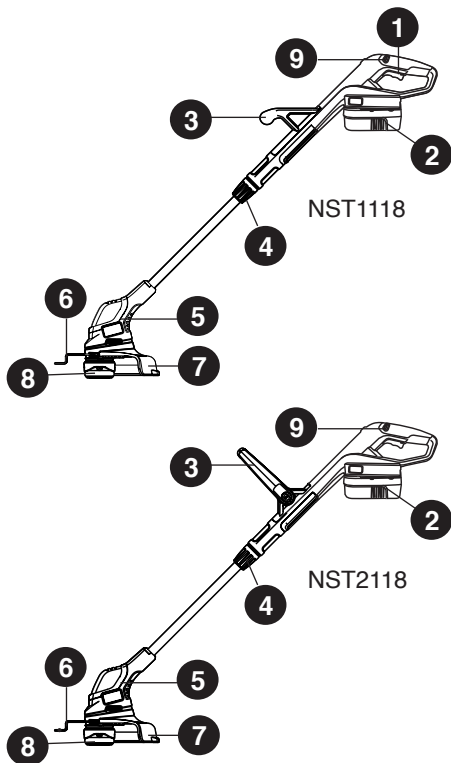
RENSEIGNEMENTS CONCERNANT LE CAPUCHON DE LA PILE

Des capuchons sont fournis avec le bloc-piles en vue d'être utilisés chaque fois qu'on retire ce dernier de l'outil ou du chargeur pour le ranger ou le transporter. Enlever le capuchon avant de mettre le bloc-piles dans le chargeur ou l'outil.

⚠AVERTISSEMENT : Risque d'incendie. Ne pas ranger ou transporter les piles de manière à ce que des objets métalliques puissent entrer en contact avec les bornes exposées des piles. Par exemple, ne pas mettre de pile dans un tablier, une poche, une boîte à outils, un boîtier de rangement, un tiroir, etc. contenant des objets

COMPOSANTS

1. Détente
2. Pile
3. Poignée auxiliaire
4. Collier (pour régler la hauteur et le bord)
5. Boîtier du moteur
6. Guide de coupe
7. Pare-main
8. Bobine
9. Bouton de verrouillage



⚠ DIRECTIVES DE SÉCURITÉ IMPORTANTES POUR LES CHARGEURS DE PILES

1. Ce mode d'emploi renferme d'importantes directives de sécurité et d'utilisation.
2. Avant d'utiliser le chargeur de pile, lire toutes les directives et les indications d'avertissement sur (1) le chargeur de pile, (2) le bloc-piles et (3) le produit utilisé avec le bloc-piles.
3. **⚠ MISE EN GARDE** : Pour réduire le risque de blessures, charger seulement les blocs-piles Black & Decker. D'autres types de blocs-piles peuvent exploser, provoquant ainsi des blessures corporelles et des dommages.
4. Protéger le chargeur de la pluie et de la neige.
5. L'utilisation d'un équipement non recommandé ou vendu par Black & Decker peut entraîner un incendie, un choc électrique ou des blessures corporelles.
6. Pour réduire le risque de dommages à la fiche et au cordon d'alimentation, tirer sur la fiche plutôt que sur le cordon pour déconnecter le chargeur.
7. S'assurer que le cordon est situé en lieu sûr de manière à ce que personne ne marche ni ne trébuche dessus, ou à ce qu'il ne soit pas endommagé ni soumis à une tension.
8. Il est préférable de ne pas utiliser de rallonge à moins que cela ne soit absolument nécessaire. L'utilisation d'une rallonge inadéquate risque d'entraîner un incendie, un choc électrique ou une électrocution.
 - a. Les cordons à deux fils peuvent être utilisés avec les rallonges à 2 ou 3 fils. Utiliser uniquement des rallonges rondes gainées. Nous recommandons également qu'elles soient homologuées par Underwriters Laboratories (U.L.). Si la rallonge est utilisée à l'extérieur, elle doit être prévue à cet effet. Toute rallonge marquée pour un usage extérieur peut aussi être utilisée à l'intérieur. Les lettres « W » ou « WA » inscrites sur la gaine de la rallonge indiquent qu'elle convient à une utilisation extérieure.

- b. Une rallonge doit présenter un calibre adéquat (AWG ou American Wire Gauge) pour assurer la sécurité et éviter toute perte de puissance et toute surchauffe. Plus le numéro de calibre de fil est petit et plus sa capacité est grande, par exemple un calibre 16 a une capacité plus grande qu'un calibre 18. Si plus d'une rallonge est utilisée pour obtenir la longueur totale, s'assurer que chaque rallonge présente au moins le calibre de fil minimal.

Calibre minimal des cordons de rallonge					
Tension		Longueur totale du cordon en pieds			
120V	0-25	26-50	51-100	101-150	
	(0-7,6m)	(7,6-15,2m)	(15,2-30,4m)	(30,4-45,7m)	
240V	0-50	51-100	101-200	201-300	
	(0-15,2m)	(15,2-30,4m)	(30,4-60,9m)	(60,9-91,4m)	
Intensité (A)		Calibre moyen des fils (AWG)			
Au moins	Au plus				
0	- 6	18	16	16	14
6	- 10	18	16	14	12
10	- 12	16	16	14	12
12	- 16	14	12	Non recommandé	

9. Utiliser seulement le chargeur fourni pour charger l'outil. L'utilisation de tout autre chargeur risque d'endommager le bloc-piles ou de créer une condition dangereuse.
10. Utiliser un seul chargeur pour charger.
11. Ne pas tenter d'ouvrir le chargeur ou l'appareil. Aucune pièce à l'intérieur ne peut être réparée par le client. Retourner le produit à tout centre de réparation Black & Decker autorisé.
12. NE PAS incinérer le bloc-piles même s'il est sérieusement endommagé ou complètement usé.
13. Ne pas incinérer les piles. Elles pourraient exploser dans un incendie. Une petite fuite du liquide des éléments de la pile peut se produire en cas d'utilisation, de charge ou de conditions de température extrêmes. Cela n'indique pas une défaillance. Toutefois, si le joint d'étanchéité extérieur est rompu et si le liquide entre en contact avec la peau :

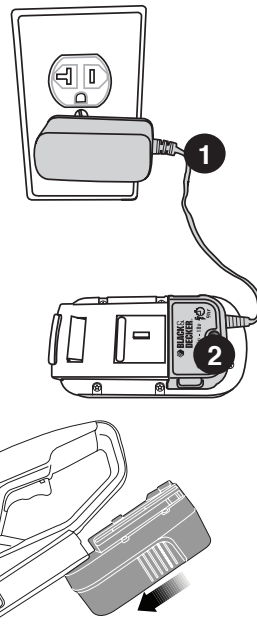
- a. Laver rapidement la zone touchée au savon et à l'eau.
- b. Neutraliser l'effet au moyen d'un acide doux comme du jus de citron ou du vinaigre.
- c. Si le liquide de la pile entre en contact avec les yeux, les rincer abondamment à l'eau propre, pendant un minimum de 10 minutes, puis obtenir immédiatement des soins médicaux.
- NOTE AU MÉDECIN :** Le liquide est composé d'une solution de 25 % à 35 % d'hydroxyde de potassium.

PROCÉDURE DE CHARGE

LE BLOC-PILES N'EST PAS COMPLÈTEMENT CHARGÉ À L'USINE. Charger le bloc-piles durant au moins 9 heures avant d'utiliser l'outil.

Le chargeur est conçu pour utiliser une alimentation domestique standard de 120 volts, 60 Hz.

1. Brancher le chargeur dans une prise électrique standard de 120 volts, 60 Hz (**figure 1**).
2. Glisser le chargeur sur le bloc-piles comme le montre la **figure 2** puis laisser le bloc-piles se charger durant 9 heures pour la première fois. Après la première charge, dans le cas d'une utilisation normale, le bloc-piles devrait se charger entièrement en 6 à 9 heures.
- 2a) Durant la charge, la DEL verte s'allume.
- 2b) Lorsque la charge est terminée, la DEL verte s'éteint.
3. Débrancher le chargeur, puis retirer le bloc-piles. Insérer le bloc-piles dans l'outil de manière à ce qu'il « s'enclenche » en position, **figure 3**.



REMARQUE : Pour retirer le bloc-piles, appuyer sur le bouton de dégagement situé au dos du bloc-piles, puis faire glisser ce dernier.

REMARQUES IMPORTANTES SUR LE CHARGEMENT

1. Après une utilisation normale, le bloc-piles devrait se charger entièrement en **6 à 9 heures**. Si le bloc-piles est complètement déchargé, il peut falloir jusqu'à **9 heures** pour le charger entièrement. Le bloc-piles est expédié de l'usine sans être totalement chargé. Avant d'utiliser le bloc-piles, il doit être chargé pendant au moins **9 heures**.
2. **NE PAS** charger le bloc-piles à des températures inférieures à 4,5 °C (40 °F) ou supérieures à 40,5 °C (105 °F). Ces consignes sont importantes et permettent d'éviter d'endommager gravement le bloc-piles. Une durée de vie et une performance accrues peuvent être obtenues si le bloc-piles est chargé à une température ambiante d'environ 24 °C (75 °F).
3. Durant la charge, le chargeur peut émettre un bourdonnement et devenir chaud au toucher. Il s'agit d'un état normal qui n'indique pas de problème.
4. Si le bloc-piles ne se charge pas adéquatement : (1) Vérifier la prise de courant en branchant une lampe ou un autre appareil électrique. (2) Vérifier si la prise est reliée à un interrupteur d'éclairage qui coupe le courant au moment d'éteindre la lumière. (3) Déplacer le chargeur et le bloc-piles dans un endroit où la température ambiante se situe entre 4,5 et 40,5 °C (40 à 105 °F). (4) Si la prise et la température sont adéquates et que la charge obtenue est insuffisante, apporter ou envoyer le bloc-piles et le chargeur au centre de réparation Black & Decker de votre région. Consulter la section « Outils électriques » des Pages jaunes.
5. Le bloc-piles doit être rechargé dès lors qu'il n'arrive pas à produire suffisamment de puissance pour des travaux qui étaient facilement réalisés auparavant. **NE PAS CONTINUER** à utiliser le produit si son bloc-piles est épuisé.
6. Le bloc-piles sera au meilleur de sa performance après avoir effectué 5 cycles durant un usage normal. Il n'est pas nécessaire d'attendre que le bloc-piles soit complètement déchargé pour le recharger. Une utilisation normale est la meilleure façon de décharger et de recharger le bloc-piles.

RECOMMANDATIONS D'ENTREPOSAGE

1. Entreposer l'outil :
 - a.) le bloc-piles étant retiré de l'outil et mis sur le chargeur.
 - b.) dans un endroit frais et sec à l'écart des rayons directs du soleil et de la chaleur ou du froid excessifs.
 - c.) hors de la portée des enfants.
2. Pour un entreposage prolongé comme au cours de la période hivernale, charger complètement le bloc-piles puis le retirer du chargeur. Le bloc-piles doit être de nouveau chargé tout juste avant d'utiliser l'outil.

BLOC-PILES LAISSÉ DANS LE CHARGEUR

Il n'est pas dangereux de laisser le bloc-piles dans le chargeur durant une période prolongée. Le chargeur est doté d'un mode d'entretien qui fournit suffisamment de charge au bloc-piles pour que celui-ci demeure chargé. Toutefois, si l'on ne prévoit pas utiliser l'outil durant plus de 30 jours, débrancher le chargeur et ranger le bloc-piles dans un endroit frais et sec. **REMARQUE** : Le bloc-piles perdra sa charge une fois retiré du chargeur. Si le bloc-piles n'a pas été maintenu chargé (charge d'entretien), il peut être nécessaire de le recharger avant de l'utiliser. Un bloc-piles peut également perdre sa charge s'il est laissé dans un chargeur qui n'est pas branché à une source de c.a. appropriée.

CONFIGURATION DE L'ASSEMBLAGE ET DES RÉGLAGES

OUTILS REQUIS POUR L'ASSEMBLAGE (NON FOURNIS) :

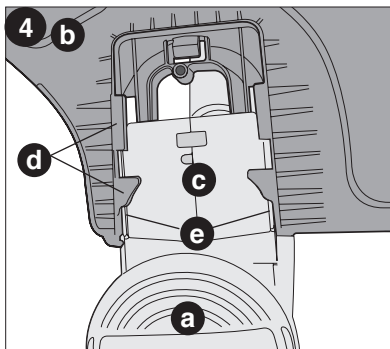
- Tournevis cruciforme

POSE DU PARE-MAIN

⚠ AVERTISSEMENT : Retirer la pile de l'outil avant d'essayer de fixer le pare-main, le guide de coupe ou la poignée. **NE JAMAIS UTILISER L'OUTIL SANS LE PARE-MAIN SOLIDEMENT FIXÉ.** Le pare-main doit toujours être en place sur l'outil pour protéger l'opérateur.

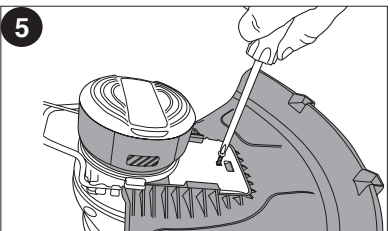
- Mettre le taille-bordure à l'envers de manière à voir le couvercle de la bobine (a).
- Mettre le pare-main (b) à l'envers et le glisser sur le boîtier du moteur (c).

S'assurer que les pattes (d) du dispositif de protection engagent les nervures (e) du boîtier du moteur comme dans l'illustration.



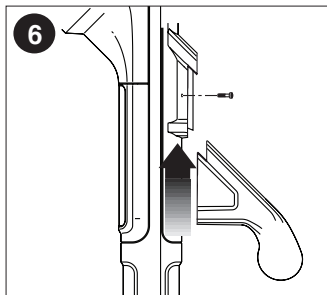
- Continuer de glisser le pare-main jusqu'à ce qu'il « s'enclenche » en position.

La patte de verrouillage (10) doit encliqueter dans la fente de logement (11).



- À l'aide d'un tournevis cruciforme, insérer la vis du pare-main comme l'illustre la figure 5 pour terminer l'assemblage du pare-main.

- Une fois le pare-main installé, retirer l'enveloppe de la lame, pour la coupe du fil, située sur le bord du pare-main.



La poignée expédiée comprend une vis partiellement vissée afin d'éviter de la perdre.

Fixation de la poignée :

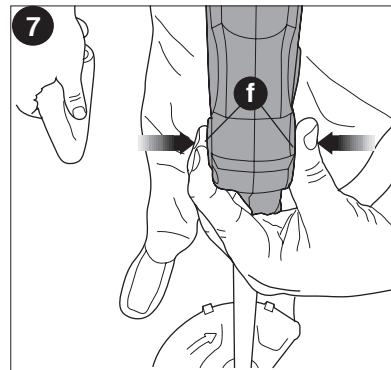
1. Enlever la vis.

2. Glisser la poignée sur le boîtier de la poignée comme le montre la figure 6.

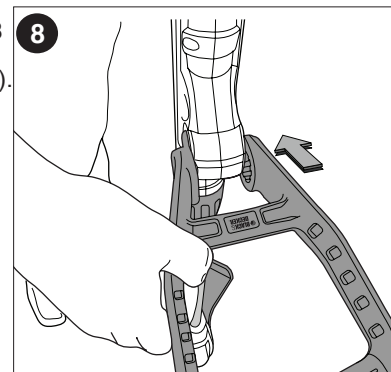
3. Enfiler de nouveau la vis dans le trou, puis la serrer solidement avec un tournevis.

FIXATION DE LA POIGNÉE AUXILIAIRE

- Pour fixer la poignée, enfoncer les boutons (f) des deux côtés du boîtier supérieur comme le montre la figure 7.



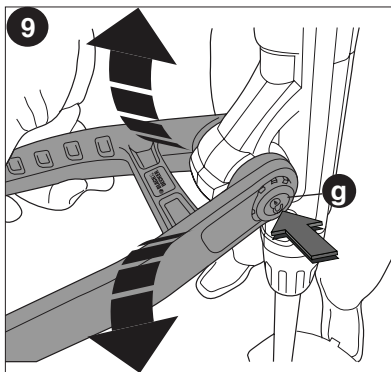
- Positionner la poignée comme le montre la figure 8 (le logo Black & Decker étant positionné vers le haut). Pousser partiellement la poignée. Ainsi, les boutons seront maintenus enfoncés au moment de les relâcher.



- Pousser la poignée complètement sur le boîtier et la positionner légèrement de manière à ce qu'elle « s'enclenche » en place (figure 9).

- Pour régler la poignée vers le haut ou le bas, appuyer sur le bouton (g), puis relever ou abaisser la poignée.

- Ajuster la poignée de façon à avoir le bras avant complètement droit lorsque le taille-bordure est en position de fonctionnement.



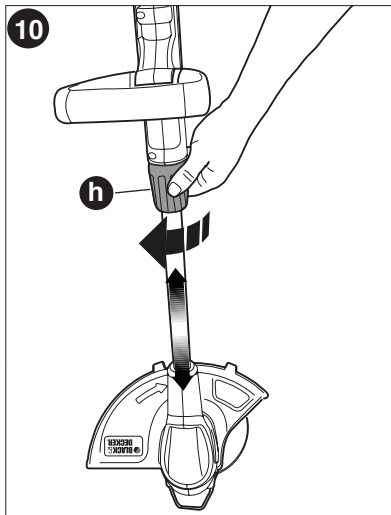
RÉGLAGE DE LA HAUTEUR

⚠ MISE EN GARDE :

Réglez la longueur de la tondeuse à obtenir des postes de travail appropriés, comme indiqué dans la figure 11.

- La hauteur totale du taille-bordure peut être réglée en desserrant le collier (h) et en le tournant dans le sens de la flèche illustrée dans la figure 10.

- Monter ou baisser le boîtier supérieur en ligne droite. Lorsque la hauteur désirée est atteinte, serrer le collier en le tournant dans le sens opposé à celui illustré à la figure 10.



DIRECTIVES D'UTILISATION

⚠ **AVERTISSEMENT** : Toujours utiliser une protection oculaire appropriée conforme à la norme ANSI Z87.1 (CAN/CSA Z94.3) lors de l'utilisation de cet outil électrique.

⚠ **AVERTISSEMENT** : Débrancher la fiche de la source d'alimentation avant de procéder au montage, d'effectuer des réglages ou de changer d'accessoire. Une telle mesure de sécurité préventive réduit le risque de mettre l'outil en marche accidentellement.

⚠ **MISE EN GARDE** : Avant de procéder au taillage, s'assurer d'utiliser uniquement le type de fil de coupe adéquat.

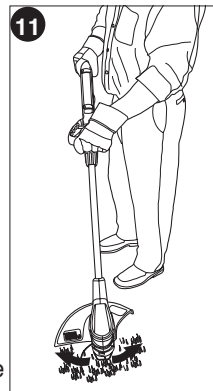
⚠ **MISE EN GARDE** : Inspecter la zone qui sera taillée et retirer tout morceau de fil métallique, de corde ou d'objets similaires qui pourraient s'enchevêtrer dans le fil rotatif ou avec la bobine. Être spécialement attentif et éviter, sur le parcours de l'outil, tout fil métallique courbé vers l'extérieur comme les fils au pied d'une clôture à mailles losangées.

MISE EN MARCHÉ ET ARRÊT

- Pour mettre l'outil en marche, déplacer le bouton de verrouillage (9), appuyer sur le levier de déclenchement.
- Pour éteindre l'outil, relâcher le levier de déclenchement.

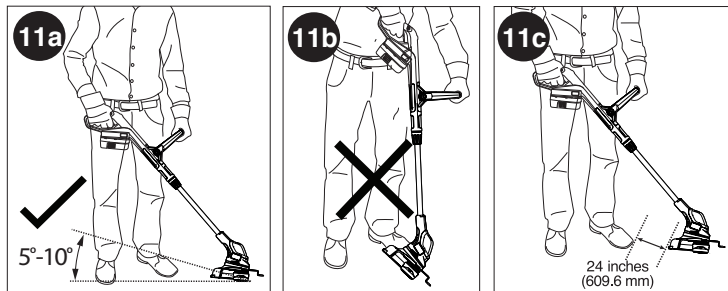
FONCTIONNEMENT DU TAILLE-BORDURES

- Tenir l'outil comme il est indiqué à la figure 11.
- Maintenir un angle de coupe entre 5° et 10° comme le montre la figure 11a. Ne pas excéder 10° (figure 11b). Couper avec le bout du fil. Pour se tenir à distance des surfaces dures, utiliser le guide de coupe (6).
- Maintenir une distance minimale de 609,6 mm (24 po) entre le dispositif de protection et vos pieds, comme le



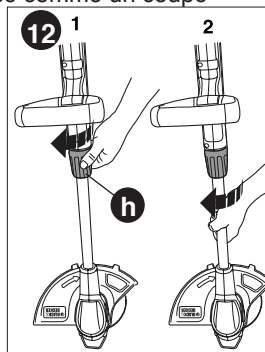
montre la **figure 11c**. Pour obtenir cette distance, régler la hauteur globale du taille-bordures comme le montre la **figure 10**.

CONVERTIR AU MODE COUPE-BORDURE



⚠ AVERTISSEMENT : lorsque utilisé comme un coupe-bordure, des pierres, des morceaux de métal et d'autres objets peuvent être jetés à grande vitesse par la ligne. La coupe et la garde sont conçus pour réduire le danger. Cependant, s'assurer que d'autres personnes et les animaux sont au moins 30m (100 pieds) de distance.

- Pour utiliser l'appareil comme coupe-bordure d'entretien, tourner le collier (h) comme l'indique la partie 1 de la **figure 12**.
- Tenir la tige de métal et tourner le boîtier inférieur de 180° comme l'illustre la partie 2.
- Tourner le collier (h) jusqu'à ce qu'il soit serré.



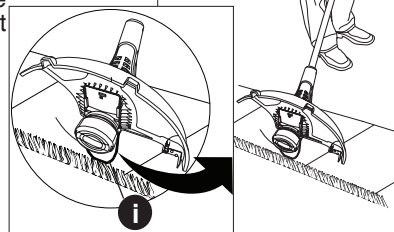
- Positionner la taille-bordure au-dessus de la surface comme le montre la **figure 13**.
- Pour retourner à la position de taille-bordure, desserrer le collier de blocage et tourner le boîtier inférieur de 180°. L'outil se verrouillera en position de taille-bordure. Lors de l'utilisation de

l'outil, mettre le guide de coupe avec fil métallique dans sa position d'origine, hors du parcours.

FIL TRANCHANT / AVANCE DU FIL

Votre taille-bordure utilise un fil de nylon ROND de 1,7 mm (0,065 po) de diamètre. En cours d'utilisation, les extrémités des fils de nylon s'effilocheront et s'useront.

La bobine spéciale à avance automatique de fil fournira et coupera automatiquement une nouvelle longueur de fil. Le fil tranchant s'usera plus rapidement et exigera une plus grande quantité de fil si la coupe ou le taillage s'effectue le long de trottoirs ou d'autres surfaces abrasives ou si des broussailles épaisses sont coupées. Le mécanisme évolué d'alimentation automatisée du fil perçoit la demande accrue de fil, fournit et coupe la bonne longueur de fil dès qu'elle est nécessaire. **NE PAS FRAPPER** l'appareil sur le sol pour alimenter l'appareil ou pour toute autre raison.



ACCESSOIRES DE RECHANGE

⚠ MISE EN GARDE : Avant de procéder au taillage, s'assurer d'utiliser uniquement le type de fil de coupe adéquat. Utiliser la bobine de recharge modèle AF-100 de Black & Decker. Recharger le fil de nylon (en vrac ou pré-enroulé sur la bobine de recharge) selon les directives de ce mode d'emploi.

- UTILISER UNIQUEMENT UN FIL EN NYLON ROND DE 1,7 mm (0,065 po) DE DIAMÈTRE. Ne pas utiliser de fil dentelé ou de plus gros calibre, car ces fils surchargeront le moteur et provoqueront une surchauffe. Ce fil est disponible auprès de votre

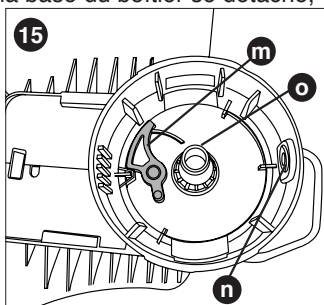
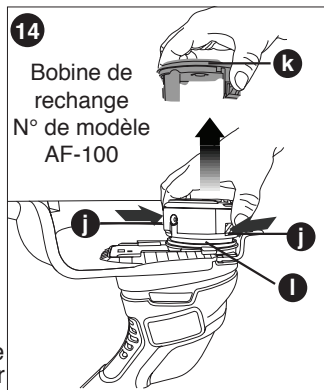
détaillant local ou de votre centre de réparation autorisé.

- D'autres pièces de rechange (pare-mains, couvercles de bobine, etc.) sont offertes aux centres de réparation Black & Decker. Pour trouver le centre de réparation de votre région, composer le : **1-800-544-6986** ou consulter **www.blackanddecker.com**.

⚠ AVERTISSEMENT : L'utilisation de tout accessoire non recommandé par Black & Decker, avec cet outil, pourrait s'avérer dangereuse.

REMPLENER LA BOBINE

- Retirer la pile de l'outil.
- Enfoncer les languettes (j) et retirer le couvercle de la bobine (k) du boîtier de la bobine (l) logé dans la tête du taille-bordure (figure 14).
- Pour obtenir des résultats optimaux, remplacer la bobine par une bobine de modèle AF-100 de Black & Decker.
- Tenir la bobine vide d'une main et le boîtier de bobine de l'autre, puis sortir la bobine en tirant dessus.
- Si le levier (m) (figure 15) situé à la base du boîtier se détache, le remettre à la bonne position avant d'insérer la bobine neuve dans le boîtier.
- Retirer l'herbe et les saletés présentes dans la bobine et le boîtier.
- Détacher l'extrémité du fil de coupe et le faire passer dans l'œillet (n), figure 16.
- Prendre la bobine neuve et l'enfoncer sur la saillie (o) (figure 15) du boîtier. Faire pivoter



légèrement la bobine jusqu'à ce qu'elle soit bien installée. Le fil doit sortir d'environ 136 mm (5 3/8 po) du boîtier.

- Aligner les languettes du couvercle de la bobine sur les encoches (p) du boîtier (figure 16).

• Enfoncer le couvercle sur le boîtier de manière à ce qu'il s'enclenche bien en place.

MISE EN GARDE :

Pour éviter d'endommager l'outil, si le fil dépasse la lame de coupe, le couper de façon à ce qu'il atteigne seulement la lame.

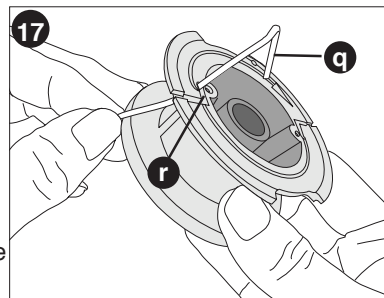
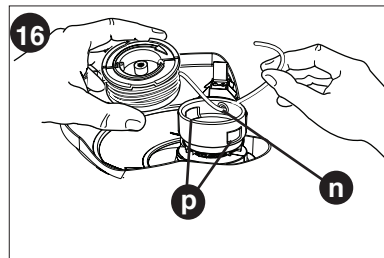
REEMBOBINAGE DE LA BOBINE AVEC DU FIL EN VRAC (UTILISER UNIQUEMENT UN FIL ROND DE 1,7 MM (0,065 PO) DE DIAMÈTRE)

Le fil en vrac est également offert par les détaillants locaux.

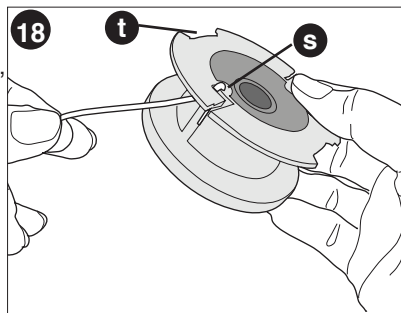
REMARQUE : Le fil en vrac des bobines enroulées à la main est susceptible de s'enchevêtrer plus souvent que le fil des bobines enroulées dans une usine Black & Decker. Pour obtenir des résultats optimaux, il est recommandé d'utiliser des bobines embobinées à l'usine.

Suivre les étapes ci-dessous pour installer du fil en vrac :

- Retirer la pile de l'outil.
- Retirer la bobine vide de l'outil comme le décrit la section « REMPLACER LA BOBINE ».
- Retirer tout le reste de fil de coupe de la bobine.
- Replier l'extrémité du fil de coupe d'environ 19 mm (3/4 po) (q). Insérer le fil de coupe dans l'une des encoches d'ancrage (r) comme le montre la figure 17.



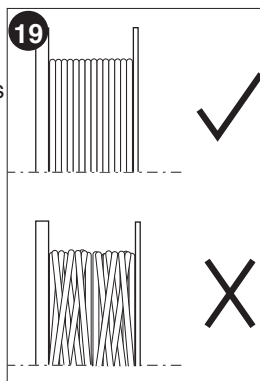
• Insérer l'extrémité de 19 mm (3/4 po) du fil en vrac dans l'orifice (s) de la bobine, juste à côté de l'encoche comme le montre la **figure 18**. Assurez-vous que la ligne est tendue contre la bobine comme illustré à la **figure 18**.



• Enrouler le fil de coupe sur la bobine dans le sens indiqué par la flèche inscrite sur la bobine. Prendre soin d'enrouler le fil de façon nette et ordonnée par couches successives. Ne pas croiser le fil (**figure 19**).

• Couper le fil enroulé lorsqu'il atteint les encoches (t). (**figure 18**).

• Ajuster la bobine sur l'outil comme le décrit la section « **REPLACER LA BOBINE** ».



ENTRETIEN

⚠ AVERTISSEMENT : Pour éviter des blessures graves, éteindre et débrancher l'outil avant d'effectuer toute opération d'entretien.

1. Maintenir les orifices de ventilation dégagés pour éviter la surchauffe.
2. Votre fil rotatif peut sécher avec le temps. Pour tenir votre fil en excellente condition, entreposer les bobines de rechange de fil pré-enroulé ou le fil en vrac dans un sac en plastique scellé contenant l'équivalent d'une cuillerée d'eau.
3. Les pièces en plastique se nettoient avec un savon doux et un chiffon humide.
4. Le coupe-fil sur le bord du dispositif de protection peut s'émousser avec le temps. Il est recommandé de s'assurer régulièrement que la lame est bien tranchante en utilisant une lime.

IMPORTANT : Pour garantir la SÉCURITÉ et la FIABILITÉ du produit, les réparations, l'entretien et le réglage doivent être réalisés par un centre de réparation autorisé ou tout autre centre de réparation professionnel, et des pièces de rechange identiques doivent être utilisées.

Le recyclage des piles et le sceau RBRC™

RBRC™ (Société de recyclage des piles rechargeables) Ce sceau apposé sur la pile au nickel-cadmium (ou sur le bloc-piles) indique que les coûts de recyclage de cette pile (ou de ce bloc-piles) à la fin de sa vie utile ont déjà été payés par Black & Decker. Dans certaines régions, il est illégal de jeter les piles au nickel-cadmium déchargées dans les poubelles ou dans le système municipal de cueillette des résidus solides. Le programme de la RBRC représente donc une alternative écologique.

La RBRC, en collaboration avec Black & Decker et d'autres utilisateurs de piles, a établi aux États-Unis et au Canada des



programmes facilitant la cueillette des piles au nickel-cadmium déchargées. Black & Decker encourage ses clients à protéger l'environnement et à conserver les ressources naturelles, et ce, en retournant les piles au nickel-cadmium déchargées à un centre de réparation Black & Decker autorisé ou à un détaillant local pour qu'elles soient recyclées. On peut aussi communiquer avec le centre local de recyclage pour savoir où déposer les piles déchargées ou composer le numéro **1-800-8-BATTERY**.

DÉPANNAGE

L'OUTIL FONCTIONNE LENTEMENT

- Vérifier que le boîtier de la bobine peut tourner librement. Le nettoyer avec précaution si nécessaire.
- S'assurer que le fil de coupe sort d'au plus 136 mm (5 3/8 po) de la bobine. Le cas échéant, le couper afin que sa longueur atteigne juste la lame de coupe pour le fil.

L'ALIMENTATION AUTOMATIQUE NE FONCTIONNE PAS

- Maintenir les languettes enfoncées et retirer la bobine de son boîtier logé dans la tête du taille-bordure.
- Tirer sur le fil de coupe de manière à ce qu'il sorte d'environ 136 mm (5 3/8 po) de la bobine. Si la longueur de fil restant sur la bobine est insuffisante, installer une nouvelle bobine de fil.
- S'assurer que le fil n'est pas entrecroisé sur la bobine comme l'illustre la **figure 19**. Si c'est le cas, dérouler le fil de coupe, puis l'enrouler de nouveau sur la bobine de façon ordonnée, de manière à ne pas entrecroiser les fils.
- S'assurer que le début de la ligne de coupe est tirée serré contre la bobine comme illustré à la **figure 18**.
- Aligner les languettes, logées sur le couvercle de la bobine, sur les fentes pratiquées dans le boîtier.
- Enfoncer la bobine sur le boîtier de manière à ce qu'elle s'enclenche bien en place.
- Si le fil de coupe dépasse la lame de coupe, le couper de façon à ce qu'il atteigne seulement la lame. Si l'alimentation automatique de fil ne fonctionne toujours pas ou si la bobine se

bloque, procéder comme suit :

- Nettoyer avec précaution la bobine et son boîtier.
- Retirer la bobine, puis vérifier si le levier, situé dans le boîtier de la bobine, peut se déplacer librement.
- Retirer la bobine et dérouler le fil de coupe, puis l'enrouler à nouveau de façon ordonnée. Remettre la bobine dans le boîtier.

INFORMATION SUR LES RÉPARATIONS

Tous les centres de réparation Black & Decker sont dotés de personnel qualifié en matière d'outillage électrique; ils sont donc en mesure d'offrir à leur clientèle un service efficace et fiable. Que ce soit pour un avis technique, une réparation ou des pièces de rechange authentiques installées en usine, communiquer avec l'établissement Black & Decker le plus près de chez vous. Pour trouver l'établissement de réparation de votre région, composer le numéro suivant : **1 800 544-6986** ou consulter le site **www.blackanddecker.com**

GARANTIE COMPLÈTE DE DEUX ANS POUR UNE UTILISATION DOMESTIQUE

Black & Decker (É.-U.) Inc. garantit ce produit pour une durée de deux ans contre tout défaut de matériau ou de fabrication. Le produit défectueux sera remplacé ou réparé sans frais de l'une des deux façons suivantes :

La première façon consiste en un simple échange chez le détaillant qui l'a vendu (pourvu qu'il s'agisse d'un détaillant participant). Tout retour doit se faire durant la période correspondant à la politique d'échange du détaillant (habituellement, de 30 à 90 jours après l'achat). Une preuve d'achat peut être requise. Vérifier auprès du détaillant pour connaître sa politique concernant les retours hors de la période définie pour les échanges.

La deuxième option est d'apporter ou d'envoyer le produit (transport payé d'avance) à un centre de réparation autorisé ou à un centre

de réparation de Black & Decker pour faire réparer ou échanger le produit, à notre discrétion. Une preuve d'achat peut être requise. Cette garantie ne s'applique pas aux accessoires. Cette garantie vous accorde des droits légaux spécifiques et vous pourriez avoir d'autres droits qui varient d'un État ou d'une province à l'autre. Pour toute question, communiquer avec le directeur du centre de réparation Black & Decker le plus près de chez vous. Ce produit n'est pas destiné à un usage commercial.

REMPLACEMENT GRATUIT DES ÉTIQUETTES

D'AVERTISSEMENT : si les étiquettes d'avertissement deviennent illisibles ou sont manquantes, composer le **1 800 544-6986** pour en obtenir le remplacement gratuit.

Imported by / Importé par
Black & Decker Canada Inc.
100 Central Ave.
Brockville (Ontario) K6V 5W6



PODADORA / BORDEADORA MANUAL DE INSTRUCCIONES

Modelos N° NST1118, NST2118

Gracias por elegir Black & Decker!
Visite [www.BlackandDecker.com/
NewOwner](http://www.BlackandDecker.com/NewOwner)
para registrar su nuevo producto.

**LEA EL MANUAL ANTES DE DEVOLVER
ESTE PRODUCTO POR CUALQUIER MOTIVO:**

Si tiene una consulta o algún inconveniente con su producto
Black & Decker, visite

[HTTP://WWW.BLACKANDDECKER.COM/INSTANTANSWERS](http://WWW.BLACKANDDECKER.COM/INSTANTANSWERS)

para obtener respuestas instantáneas las 24 horas del día.

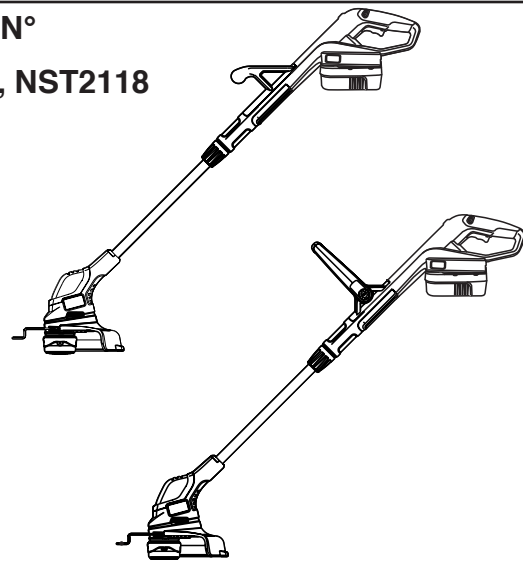
Si no encuentra la respuesta o no tiene acceso a Internet, llame al
1-800-544-6986 de lunes a viernes de 8 a. m. a 5 p. m. hora del Este
para hablar con un agente.

Cuando llame, tenga a mano el número de catálogo.

CONSERVE ESTE MANUAL PARA FUTURAS CONSULTAS

Modelos N°

NST1118, NST2118



INFORMACION CLAVE QUE DEBE SABER:

- El protector debe instalarse antes de podar o bordear. De lo contrario, el motor se sobrecalentará (página 34).
- Al reemplazar la cuerda, utilice sólo una cuerda REDONDA de 1,7 mm (0,065 pulgada) de diámetro (Se recomienda el modelo N° AF-100 de B&D). De lo contrario, la unidad no funcionará correctamente (página 37).
- No golpee el cabezal de alimentación contra el piso. Esto interrumpirá el mecanismo de alimentación.

ÍNDICE DE TEMAS

Normas de seguridad - Definiciones.....	29
Instrucciones y advertencias de seguridad importantes.....	29
Componentes.....	32
Instrucciones importantes de seguridad para los cargadores de baterías.....	32
Procedimiento de carga.....	33
Ensamblaje / Ajuste.....	34
Instrucciones de operación.....	36
Accesorios de repuesto.....	38
Mantenimiento.....	39
Detección de problemas.....	40
Información de mantenimiento.....	41
Garantía completa de dos años para uso en el hogar.....	41

PAUTAS DE SEGURIDAD/DEFINICIONES

Es importante que lea y comprenda este manual. La información que contiene se relaciona con la protección de SU SEGURIDAD y la PREVENCIÓN DE PROBLEMAS. Los símbolos que siguen se utilizan para ayudarlo a reconocer esta información.

⚠ PELIGRO: indica una situación de peligro inminente que, si no se evita, provocará la muerte o lesiones graves.

⚠ ADVERTENCIA: indica una situación de peligro potencial que, si no se evita, provocará la muerte o lesiones graves.

⚠ PRECAUCIÓN: indica una situación de peligro potencial que, si no se evita, provocará lesiones leves o moderadas.

AVISO: utilizado sin el símbolo de alerta de seguridad indica una situación de peligro potencial que, si no se evita, puede provocar daños en la propiedad.

⚠ ADVERTENCIAS E INSTRUCCIONES IMPORTANTES SOBRE SEGURIDAD

⚠ ADVERTENCIA: Al utilizar herramientas eléctricas para el jardín, siempre se deben tomar ciertas precauciones básicas de seguridad para minimizar el riesgo de incendio, descarga eléctrica y lesiones personales, entre ellas:

Lea todas las instrucciones

- **SIEMPRE UTILICE PROTECCIÓN PARA LOS OJOS:** utilice gafas o anteojos de seguridad en todo momento que esta herramienta esté enchufada.
- **PROTECTOR:** nunca utilice esta herramienta sin el protector.
- **UTILICE LA VESTIMENTA ADECUADA:** no utilice ropa holgada ni joyas. Pueden atascarse en las piezas móviles. Se recomienda utilizar guantes de goma y calzado con una suela de goma considerable al trabajar al aire libre. No opere la herramienta descalzo ni con sandalias abiertas. Utilice pantalones largos para protegerse las piernas. Recójase y cubra el cabello largo.
- **CUERDA DE NYLON:** mantenga la cara, las manos y los pies lejos de la cuerda de nylon giratoria en todo momento.
- **LA CUERDA GIRATORIA REALIZA UNA FUNCIÓN DE CORTE:** tenga precaución al podar alrededor de pantallas y plantas que desea.
- **MANTENGA ALEJADOS A TODOS LOS ESPECTADORES:** a una distancia segura, especialmente a los niños.
- **ADVERTENCIA IMPORTANTE:** al utilizar la herramienta como Bordeadora, las piedras, las piezas de metal y otros objetos pueden ser arrojados a alta velocidad por la acción de la cuerda. La herramienta y el protector están diseñados para reducir el peligro. No obstante, se deben tener en cuenta las siguientes precauciones especiales:
- **ASEGÚRESE** de que las demás personas y mascotas estén a no menos de 30 m (100 pies) de distancia.
- **PARA REDUCIR EL RIESGO** de lesiones por repercusión (rebote), trabaje lejos de cualquier objeto sólido cercano, como

pared, escalones, piedras grandes, árboles, etc. Tenga suma precaución al trabajar cerca de objetos sólidos y, cuando sea necesario, pade o recorte los bordes en forma manual.

- **EVITE EL ARRANQUE ACCIDENTAL:** nunca transporte la herramienta enchufada con el dedo en el interruptor.
- **NO FUERCE LA HERRAMIENTA:** a una velocidad más rápida de la velocidad para la que fue diseñada para cortar en forma eficaz.
- **UTILICE LA HERRAMIENTA ADECUADA:** no utilice esta herramienta para un trabajo diferente a aquéllos para los que fue diseñada.
- **NO SE ESTIRE:** conserve el equilibrio adecuado y manténgase parado correctamente en todo momento.
- **DA—O A LA UNIDAD:** si golpea la herramienta o ésta se atasca con un objeto extraño, deténgala de inmediato, desenchúfela, verifique que no se haya dañado y repare cualquier daño antes de seguir utilizándola. No opere la herramienta si la bobina o el carrete están dañados.
- **DESCONECTE LA HERRAMIENTA:** cuando no la utilice, al reemplazar la cuerda o antes de limpiarla.
- **EVITE LAS CONDICIONES AMBIENTALES PELIGROSAS:** no utilice herramientas eléctricas en lugares húmedos o mojados. Siga todas las instrucciones incluidas en este Manual de instrucciones para una operación adecuada de la herramienta. No utilice la herramienta bajo la lluvia.
- **NO OPERE** herramientas eléctricas portátiles en atmósferas gaseosas o explosivas. Los motores de estas herramientas normalmente chispean, y las chispas pueden encender los vapores.
- **GUARDE LAS HERRAMIENTAS QUE NO SE UTILICEN EN EL INTERIOR:** cuando no las utilice, las herramientas deben guardarse en un lugar seco, alto o bajo llave, fuera del alcance de los niños.
- **ESTÉ ALERTA:** fíjese en lo que está haciendo. Use el sentido común. No opere la herramienta si está cansado.
- **CONSERVE LAS HERRAMIENTAS ADECUADAMENTE:** siga las instrucciones en la sección de mantenimiento. Mantenga los mangos secos, limpios y libres de aceite y grasas.
- **VERIFIQUE LAS PIEZAS AVERIADAS:** antes de volver a utilizar la herramienta, se debe controlar cualquier protección

u otra pieza que esté averiada para determinar si funcionará correctamente y realizará la función para la que fue diseñada. Verifique la alineación y la sujeción de las piezas móviles, la rotura de piezas, el montaje y cualquier otra condición que pueda afectar el funcionamiento. Cualquier protección u otra pieza que esté dañada debe ser reparada correctamente o reemplazada por un centro de mantenimiento autorizado, a menos que este manual indique otra cosa.

⚠ADVERTENCIA: Al realizar el mantenimiento de las herramientas con doble aislamiento, UTILICE SOLO PIEZAS DE REPUESTO IDÉNTICAS. Repare o reemplace los cables dañados.

⚠ADVERTENCIA: Para evitar el riesgo de descargas eléctricas, sólo utilice con un cable de prolongación adecuado para uso en exteriores. Siempre conecte los cables prolongadores a una línea con fusible o a una protegida por un interruptor de circuitos.

- NO sumerja la herramienta en agua ni la salpique con una manguera. NO permita que ningún líquido entre en ella.
- NO guarde la herramienta sobre o cerca de fertilizantes o productos químicos.
- NO limpie con una lavadora a presión.
- Mantenga los protectores instalados adecuadamente y en funcionamiento.
- Mantenga las manos y los pies alejados del área de corte.

CONSERVE ESTAS INSTRUCCIONES

- La etiqueta de su herramienta puede incluir los siguientes símbolos. Los símbolos y sus definiciones son los siguientes:

V.....volts	A..... amperios
Hz.....hertz	W..... vatios
minminutos	~ o AC.....corriente alterna
=== o DC.....corriente directa	n ₀ no
ⓘConstrucción Clase I (mis à la terre)	Ⓜ velocidad sin carga
☐Construcción de clase II	Ⓧ terminal a tierra
RPM o .../min.....revoluciones o minuto seguridad	⚠ simbolo de alerta

⚠ADVERTENCIA: Parte del polvo generado por este producto contiene sustancias químicas reconocidas por el Estado de California como causantes de cáncer, defectos congénitos u otros problemas reproductivos. Algunos ejemplos de estas sustancias químicas:

- compuestos en los fertilizantes
- compuestos en los insecticidas, herbicidas y pesticidas
- arsénico y cromo de la madera con tratamiento químico

Para reducir su exposición a estas sustancias químicas, utilice el equipo de seguridad aprobado, como máscaras para polvo especialmente diseñadas para filtrar partículas microscópicas.

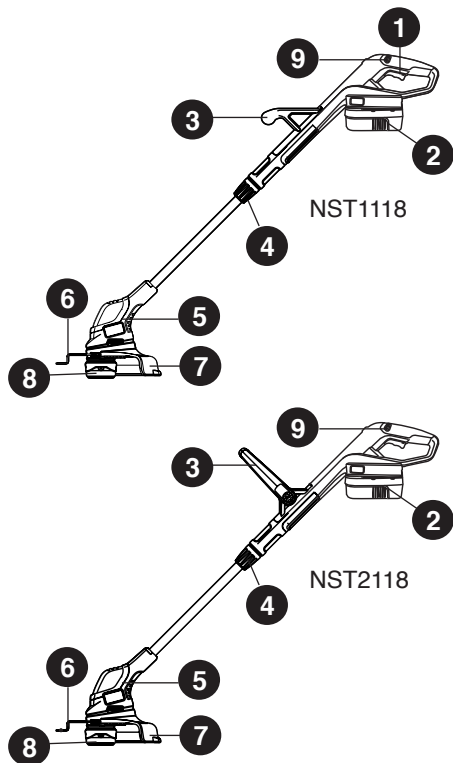
INFORMACIÓN SOBRE LA TAPA DE LA BATERÍA

Se proporcionan tapas para el almacenamiento y transporte de las baterías, que deben utilizarse siempre que la batería esté fuera de la herramienta o del cargador. Retire la tapa antes de colocar la batería en el cargador o en la herramienta.

⚠ADVERTENCIA: Riesgo de incendio. No guarde o transporte la batería de ninguna manera que permita que los terminales expuestos de la batería entren en contacto con objetos metálicos. Por ejemplo, no coloque la batería en delanteles, bolsillos, cajas de herramientas, cajas de juegos de productos, cajones, con clavos, tornillos, llaves sueltas, etc. Transportar baterías puede provocar incendios si los terminales de la batería entran en contacto accidentalmente con materiales conductores como llaves, monedas, herramientas manuales y similares. Las Normas para Materiales Peligrosos del Departamento de Transporte de EE.UU. (HMR, por su sigla en inglés) actualmente prohíben transportar baterías comercialmente o en aviones (es decir, empacadas en valijas y equipaje de mano) A MENOS que estén adecuadamente protegidas contra cortocircuitos. Por lo tanto, cuando transporte baterías individuales, asegúrese de que los terminales de la batería estén protegidos y bien aislados de materiales que puedan hacer contacto y causar un cortocircuito.

COMPONENTES

1. Interruptor
2. Batería
3. Mango auxiliar
4. Anillo (para ajustar la altura y el borde)
5. Cubierta del motor
6. Guía de borde
7. Protector
8. Carrete
9. Botón de bloqueo



⚠ INSTRUCCIONES DE SEGURIDAD IMPORTANTES PARA CARGADORES DE BATERÍAS

1. Este manual contiene instrucciones de operación y seguridad importantes.
2. Antes de usar el cargador de baterías, lea todas las instrucciones y todas las indicaciones de precaución en (1) el cargador de baterías, (2) la batería, y (3) el producto que utiliza la batería.
3. **⚠ PRECAUCIÓN:** Para reducir el riesgo de daños personales, cargue sólo baterías Black & Decker. Otros tipos de baterías pueden estallar y provocar daños personales y materiales.
4. No exponga el cargador a la lluvia ni a la nieve.
5. El uso de un accesorio no recomendado o no vendido por Black & Decker puede provocar riesgos de incendio, descarga eléctrica o lesiones personales.
6. Para reducir el riesgo de avería en el enchufe y cable eléctricos, tire del enchufe y no del cable al desconectar el cargador.
7. Asegúrese de que el cable esté ubicado de manera que no lo pise o se tropiece con él y que no esté sujeto a daños o tensiones de alguna otra manera.
8. No se debe utilizar un cable prolongador a menos que sea absolutamente necesario. El uso de un cable prolongador incorrecto puede provocar riesgo de incendio, descarga eléctrica o electrocución.
 - a. Se pueden usar cables de dos conductores con cables prolongadores de dos o tres conductores. Sólo se deben utilizar cables prolongadores con cubierta redonda, y recomendamos que estén en la lista de certificación de Underwriters Laboratories (U.L.). Si la prolongación se va a utilizar en el exterior, el cable debe ser apropiado para usar en exteriores. Cualquier cable indicado para uso en exteriores también se puede utilizar en interiores. Las letras "W" o "WA" en la cubierta del cable indican que el

cable es apropiado para uso en el exterior.

b. Un cable prolongador debe tener una medida de conductor adecuada (AWG o Medida de conductor estadounidense) por seguridad y para evitar la pérdida de energía y el recalentamiento. A menor número de calibre del conductor, mayor será la capacidad del cable; es decir, un calibre 16 tiene más capacidad que un calibre 18.

Cuando se utiliza más de un prolongador para lograr la longitud total, asegúrese de que cada prolongador tenga al menos la medida mínima de conductor.

Calibre mínimo para cables de extensión					
Volts	Longitud total del cable en pies				
120V	0-25	26-50	51-100	101-150	
	(0-7,6m)	(7,6-15,2m)	(15,2-30,4m)	(30,4-45,7m)	
240V	0-50	51-100	101-200	201-300	
	(0-15,2m)	(15,2-30,4m)	(30,4-60,9m)	(60,9-91,4m)	
Amperaje					
Más de	No más de	American Wire Gage			
0 - 6	18	16	16	14	
6 - 10	18	16	14	12	
10 - 12	16	16	14	12	
12 - 16	14	12	No se recomienda		

- Utilice únicamente el cargador provisto cuando carga su herramienta. El uso de cualquier otro cargador puede dañar el paquete de baterías o provocar una condición de riesgo.
- Utilice un solo cargador cuando carga.
- No intente abrir el cargador o la unidad. No contiene elementos que el cliente pueda reparar. Devuelva a cualquier centro de mantenimiento autorizado de Black & Decker.
- NO incinere las baterías aunque estén muy averiadas o completamente gastadas.
- No incinere las baterías. Las baterías pueden explotar en el fuego. En condiciones de uso, de carga o de temperaturas extremas, podría producirse una pequeña pérdida de líquido en las celdas de la batería. Esto no indica una falla. Sin embargo,

si el sello externo está roto y el líquido derramado toca su piel:

a. Lave rápidamente con agua y jabón.

b. Neutralice con un ácido suave como jugo de limón o vinagre.

c. Si el líquido de la batería entra en contacto con sus ojos, lávelos con agua limpia durante al menos 10 minutos y busque atención médica inmediatamente.

NOTA MÉDICA: El líquido es una solución de hidróxido de potasio al 25%-35%.

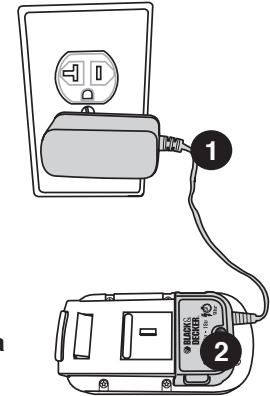
PROCEDIMIENTO DE CARGA

EL PAQUETE DE BATERÍAS NO sale DE FÁBRICA COMPLETAMENTE CARGADO. CARGUE EL PAQUETE DE BATERÍAS DURANTE AL MENOS 9 HORAS ANTES DE USARLO.

El cargador está diseñado para utilizar energía eléctrica doméstica estándar de 120 V, 60 Hz.

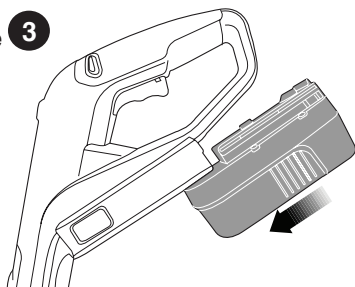
- Enchufe el cargador en cualquier tomacorriente estándar de 120 voltios, 60 Hz (**figura 1**).
 - Deslice el cargador sobre la batería, como se muestra en la **figura 2** y deje que la batería se cargue inicialmente durante **9 horas**. Después de la carga inicial, bajo condiciones de uso normales, su paquete de baterías debería cargarse completamente en **6 a 9 horas**.
- 2a) Durante la carga el indicador LED aparecerá verde.

2 B) Al completarse la carga, el LED verde se apagará.



3. Desenchufe el cargador y retire el paquete de baterías. Coloque el paquete de baterías en la herramienta hasta que quede firme en su lugar **figura 3**.

NOTA: Para retirar el paquete de baterías, presione el botón de liberación en la parte posterior del mismo y deslícelo hacia fuera.



NOTAS IMPORTANTES SOBRE LA CARGA

1. En condiciones de uso normales, su paquete de baterías debería estar completamente cargado en **6 a 9 horas**. Si el paquete de baterías está completamente agotado, puede tomar hasta **9 horas** para quedar completamente cargado. Su paquete de baterías no viene con carga completa de fábrica. Antes de intentar utilizarla, se debe cargar al menos durante **9 horas**.
2. NO cargue el paquete de baterías con una temperatura ambiente inferior a +4,5 °C (+40 °F) o superior a +40,5 °C (+105 °F). Esto es importante y evitará daños graves en el paquete de baterías. Se pueden obtener una óptima duración y rendimiento si se carga el paquete de baterías cuando la temperatura está alrededor de 24°C (75°F).
3. Durante la carga, el cargador puede zumbiar y ponerse caliente al tacto. Esta condición es normal y no indica un problema.
4. Si el paquete de baterías no se carga correctamente: (1) controle la corriente del tomacorriente enchufando una lámpara u otro artefacto. (2) Verifique si el tomacorriente está conectado a un interruptor que corta la energía cuando usted apaga la luz. (3) Traslade el cargador y el paquete de baterías a una temperatura ambiente de entre +4,5 °C (+40 °F) y +40,5 °C (+105 °F). (4) Si el tomacorriente y la temperatura no presentan inconvenientes, y usted no consigue una carga adecuada, lleve o envíe el paquete de baterías y el cargador al centro de mantenimiento local de

Black & Decker. Consulte “Herramientas eléctricas” en las páginas amarillas.

5. Se debe recargar el paquete de baterías cuando no produce energía suficiente para tareas que previamente realizaba con facilidad. NO CONTINÚE utilizando el producto con su paquete de baterías agotado.
6. El paquete de baterías alcanzará su rendimiento óptimo luego de pasar 5 ciclos durante un uso normal. No es necesario agotar la unidad por completo antes de recargarla. El uso normal es el mejor método de descarga y recarga del paquete de baterías.

RECOMENDACIÓN PARA EL ALMACENAMIENTO

1. Guarde la herramienta:
 - a.) con el paquete de baterías desmontado y colocado en el cargador.
 - b.) en un lugar fresco y seco, lejos de la luz del sol directa y el exceso de calor o frío.
 - c.) fuera del alcance de los niños.
2. Para un almacenamiento prolongado, como durante el invierno, la batería debe cargarse completamente y luego retirarse del cargador. Debe cargarse de nuevo justo antes de la utilización.

DEJAR EL PAQUETE DE BATERÍAS EN EL CARGADOR

Está bien dejar cargando los paquetes de baterías durante períodos prolongados. El cargador cuenta con un modo de mantenimiento que le entrega suficiente carga a la batería para conservarla “completamente cargada”. Sin embargo, si espera no necesitar la podadora durante más de 30 días, desenchufe el cargador y guarde la batería en un lugar fresco y seco. NOTA: Un paquete de baterías perderá su carga cuando no está en el cargador. Si no ha dejado el paquete de baterías en carga de mantenimiento, es posible que deba cargarlo nuevamente antes de usarlo. Un paquete de baterías también podría perder su carga si se deja en un cargador que no esté conectado a un suministro de CA apropiado.

ENSAMBLADO/REGULACIONES

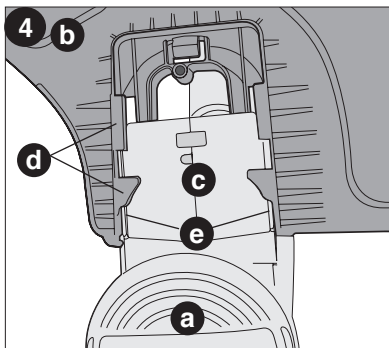
HERRAMIENTAS QUE SE REQUIEREN PARA EL ENSAMBLAJE QUE NO ESTÁN PROVISTAS:

- Destornillador Phillips

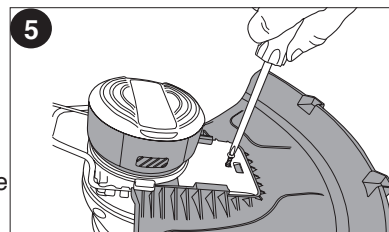
INSTALACIÓN DEL PROTECTOR

⚠ ADVERTENCIA: DESENCHUFE LA HERRAMIENTA ANTES DE INSTALAR EL PROTECTOR, LA GUÍA DE BORDE O EL MANGO. NUNCA OPERE LA HERRAMIENTA SIN EL PROTECTOR ADECUADAMENTE INSTALADO. EL PROTECTOR SIEMPRE DEBE ESTAR INSTALADO EN LA HERRAMIENTA PARA PROTEGER AL USUARIO.

- Coloque la podadora boca abajo de manera que vea la tapa del carrete (a).
- Coloque el protector (b) boca abajo y deslicelo en la cubierta del motor (c). Asegúrese de que las lengüetas (d) del protector estén sujetas a las varillas (e) de la cubierta del motor como se muestra.
- Continúe deslizando el protector hasta que lo oiga encajar en su lugar. La lengüeta de bloqueo (10) debe encajar en la ranura de la caja (11).



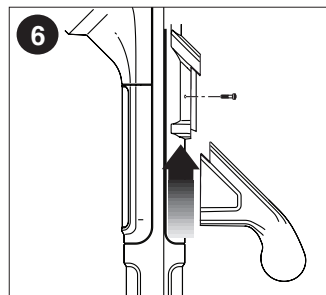
- Con un destornillador Phillips, inserte el destornillador del protector, como se muestra en la **figura 5** para completar el ensamblaje del protector.
- Una vez instalado el protector, retire la cubierta de la hoja de corte de la cuerda ubicada en el extremo del protector.



El mango viene de fábrica con el tornillo parcialmente enroscado para impedir que se pierda.

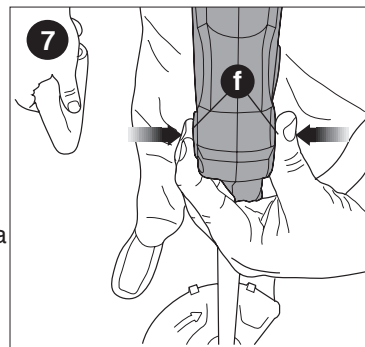
Para instalar el mango:

1. Quite el tornillo.
2. Coloque el mango en el alojamiento correspondiente como se muestra en la **figura 6**.
3. Vuelva a enroscar el tornillo en el orificio y ajústelo firmemente con un destornillador.

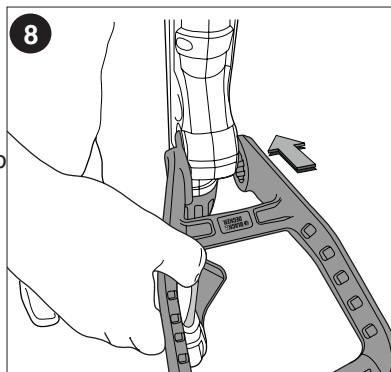


COLOCACIÓN DEL MANGO AUXILIAR

- Para colocar el mango, presione los botones (f) de ambos lados de la cubierta superior como se muestra en la **figura 7**.



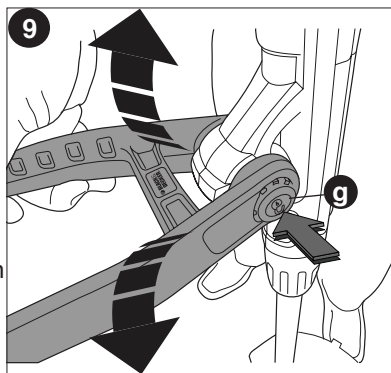
• Coloque el mango como se muestra en la **figura 8** (con el logotipo de Black & Decker hacia arriba). Presione parcialmente el mango de manera que se retengan los botones cuando los suelta con su mano.



• Presione completamente el mango sobre la cubierta y muévalo ligeramente hasta que lo oiga encajar en su lugar **figura 9**.

• Para ajustar el mango hacia arriba o hacia abajo, presione el botón (g) y eleve o baje el mango.

• El mango se debe ajustar de manera que el brazo delantero esté recto cuando la podadora esté en posición de trabajo.

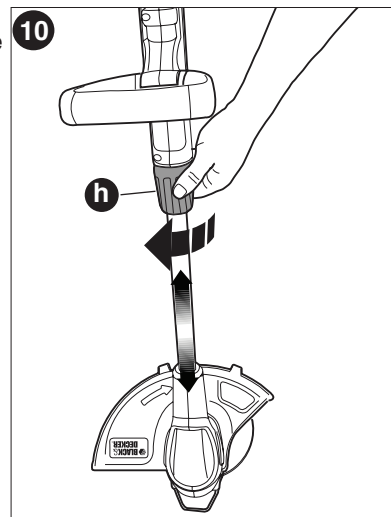


AJUSTE DE ALTURA

⚠PRECAUCIÓN: Ajuste la longitud de la recortadora para obtener puestos de trabajo adecuados, como se muestra en la **figura J**.

• La altura total de la podadora se puede ajustar aflojando el anillo (h) y girándolo en la dirección de la flecha que se muestra en la **figura 10**.

• Mueva la cubierta superior en línea recta hacia arriba o hacia abajo. Al alcanzar la altura deseada, ajuste el anillo girándolo en la dirección contraria a la que se muestra en la **figura 10**.



INSTRUCCIONES DE OPERACIÓN

⚠ADVERTENCIA: Utilice siempre protección adecuada para los ojos que cumple con la norma ANSI Z87.1 (CAN/CSA Z94.3) mientras opera esta herramienta.

⚠ADVERTENCIA: Antes de realizar cualquier ensamblaje, ajuste o cambio de accesorios, desconecte el enchufe de la fuente de alimentación. Dichas medidas de seguridad preventiva reducen el riesgo de encender la herramienta en forma accidenta.

⚠PRECAUCIÓN: Antes de comenzar a podar, asegúrese de utilizar únicamente el tipo adecuado de cuerda de corte.

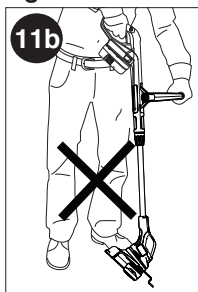
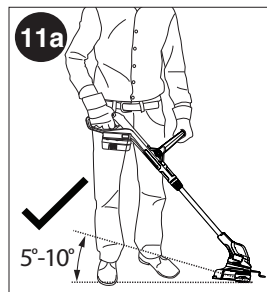
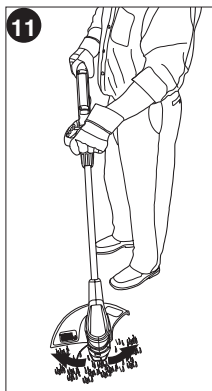
⚠PRECAUCIÓN: Inspeccione el área por cortar y saque los alambres, cables u objetos similares a un cordel, que podrían enredarse en la cuerda giratoria o el carrete. Tenga especial precaución a fin de evitar cables que estén doblados hacia afuera del trayecto de la herramienta, como las púas en la base de un alambre de púas.

ENCENDIDO Y APAGADO

- Para encender la herramienta, oprima el botón de bloqueo en apagado (9), presione la palanca del interruptor.
- Para apagar la herramienta, suelte la palanca del interruptor.

FUNCIONAMIENTO DE LA PODADORA

- Sostenga la herramienta como se muestra en la **Figura 11**.
- Mantenga un ángulo de corte de 5 a 10 grados como se muestra en la **Figura 11a**. No exceda los 10 grados (**Figura 11b**). Corte con la punta de la cuerda. Para mantener cierta distancia de las superficies duras, utilice la guía de borde (6).
- Mantenga una distancia mínima de 609,6 mm (24 pulgadas) entre el protector y sus pies como se muestra en la **Figura 11c**. Para lograr esta distancia, ajuste la altura general de la podadora como se muestra en la **Figura 10**.



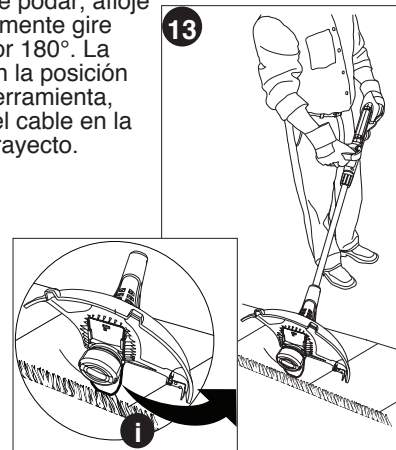
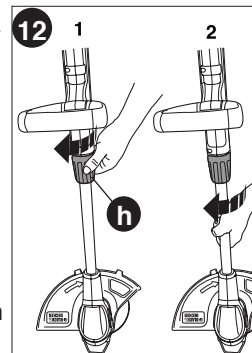
CONVERSIÓN AL MODO DE BORDEADO

⚠ADVERTENCIA: Cuando se utiliza como un Edger, piedras, trozos de metal y otros objetos que pueden ser lanzados a gran velocidad por la línea. El corte y la protección están diseñados para reducir el peligro. Sin embargo, asegúrese de que las demás personas y los animales domésticos por lo menos 30m (100 pies) de distancia.

- Para operar como una bordeadora de mantenimiento, gire el anillo (h) como se muestra en la parte 1 de la **figura 12**.
- Sostenga el eje de metal y gire la cubierta inferior 180° como se muestra en la parte 2.

- Gire el anillo (h) hasta el final.
- Coloque la podadora encima de la superficie como se muestra en la **figura 13**.

- Para volver a la posición de podar, afloje el anillo de bloqueo y nuevamente gire de regreso la cubierta inferior 180°. La herramienta se bloqueará en la posición de podadora. Al utilizar la herramienta, coloque la guía del borde del cable en la posición original, fuera del trayecto.



CUERDA DE CORTE/ALIMENTACIÓN DE LA CUERDA

Su podadora utiliza una cuerda de nailon **REDONDA de 1,7 mm (0,065 pulgada)** de diámetro. Durante el uso, las puntas de las cuerdas de nailon se deshilarán y desgastarán, y la bobina de la cuerda de alimentación especial se autoalimentará y recortará la cuerda automáticamente para proporcionar una punta nueva. La cuerda de corte se desgastará más rápido y necesitará más alimentación si el corte o el bordeado se realizan cerca de aceras u otras superficies abrasivas, o si se cortan malezas más espesas. El mecanismo avanzado de alimentación automática de la cuerda detecta cuándo se necesita más cuerda de corte y alimenta y corta la longitud correcta de cuerda según sea necesario. **NO GOLPEE** la unidad al intentar alimentar una cuerda ni por algún otro motivo.

ACCESORIOS DE REPUESTO

⚠PRECAUCIÓN: Antes de comenzar a podar, asegúrese de usar sólo el tipo apropiado de cuerda de corte.

Utilice el carrete de repuesto de Black & Decker modelo N° AF-100. Vuelva a cargar la cuerda de nailon (de paquete o el carrete de repuesto pre-enrollado) como se muestra en este manual.

• **UTILICE SOLO CUERDA REDONDA DE NYLON DE 1,7 mm (0,065 pulgada) DE DIÁMETRO.** No utilice cuerdas dentadas o de mayor calibre ya que sobrecargarán el motor y provocarán sobrecalentamiento. Puede conseguir esta cuerda a través de su distribuidor local o centro de mantenimiento autorizado.

• Otras partes de repuesto (protectores, tapas de carrete, etc.) están disponibles en los centros de mantenimiento de Black & Decker. Para averiguar la ubicación de su centro de mantenimiento local llame al: **1-800-544-6986** o visite **www.blackanddecker.com**

⚠ADVERTENCIA: El uso de accesorios no recomendados por Black & Decker para esta herramienta puede ser peligroso.

REEMPLAZO DE CARRETES

- Extraiga la batería de la herramienta.
- Presione las lengüetas (j) y extraiga la tapa del carrete (k) en el cabezal de la podadora (**figura 14**).

- Para obtener óptimos resultados, reemplace el carrete con el modelo N° AF-100 de Black & Decker.

- Tome el carrete vacío con una mano y la cubierta del carrete con la otra, y extraiga el carrete.

- Si la palanca (m) (**figura 15**) de la base de la cubierta se desprende, vuélvala a poner en la posición correcta antes de insertar el nuevo carrete en la cubierta.

- Elimine cualquier resto de suciedad o césped en el carrete y la cubierta.

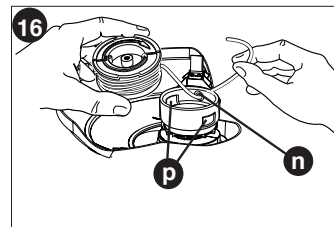
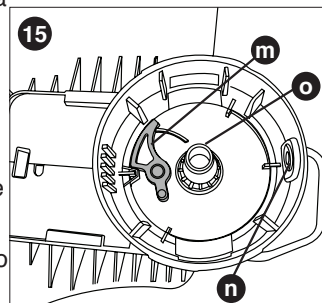
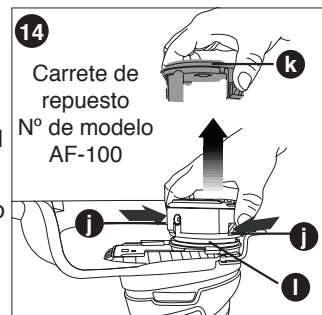
- Desate el extremo de la cuerda de corte y ponga la cuerda dentro de uno de los orificios (n) **figura 16**.

- Tome el carrete nuevo y empújelo sobre la parte saliente (o) (**figura 15**) de la cubierta. Gire el carrete ligeramente hasta que esté bien colocado.

La cuerda debe extenderse aproximadamente 136 mm (5-3/8 pulgadas) afuera de la cubierta.

- Alinee las lengüetas de la tapa del carrete con las ranuras (p) en la cubierta (**figura 16**).

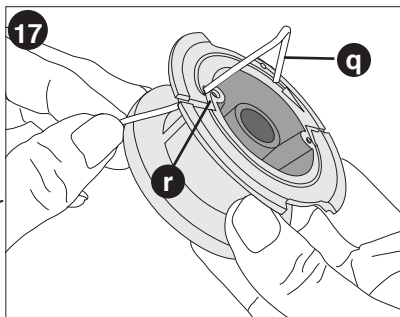
- Empuje la tapa dentro de la cubierta hasta que encaje firmemente en su lugar.



PRECAUCIÓN: Para evitar que se dañe la herramienta, si la cuerda de corte sobresale más allá de la hoja de corte, corte el excedente de manera que esté justamente a la altura de la hoja.

ENROLLADO DEL CARRETE CON CUERDA A GRANEL (UTILICE SÓLO CUERDA REDONDA DE 1,7 MM (0,0665 PULGADA) DE DIÁMETRO)

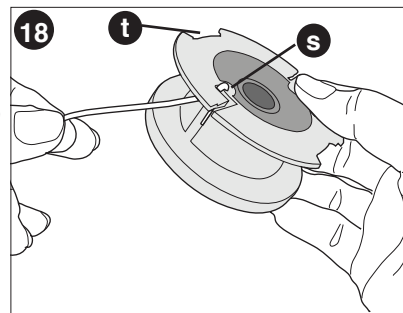
También puede comprar cuerda a granel en el comercio minorista local. **NOTA:** Es probable que los carretes enrollados a mano con una cuerda a granel se enreden con mayor frecuencia que los carretes de Black & Decker enrollados de fábrica. Para mejores resultados, se recomiendan los carretes enrollados de fábrica.



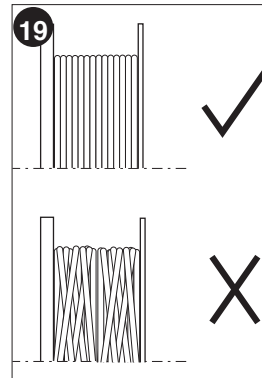
Para instalar la cuerda a granel, siga los pasos a continuación:

- Extraiga la batería de la herramienta.
- Extraiga el carrete vacío de la herramienta como se describe en el “**REEMPLAZO DEL CARRETE**”.
- Retire cualquier resto de cuerda de corte del carrete.
- Pliegue el final de la cuerda de corte a alrededor de 19 mm (3/4 pulgada)(q). Introduzca la cuerda de corte dentro de una de las ranuras de anclaje de la cuerda (r) como se muestra en la **figura 17**.

• Inserte el extremo de la cuerda a granel de 19 mm (3/4 pulgada) en el orificio (s) dentro del carrete adyacente a la ranura como se muestra en la **figura 18**. Asegúrese de que la línea se tensa contra el carrete como se muestra en la **figura Q**.



- Enrolle la cuerda de corte dentro del carrete en la dirección de la flecha en el carrete. Asegúrese de enrollar la cuerda prolijamente y en capas. No la entrecruce (**figura 19**).
- Cuando la cuerda de corte enrollada llegue a las ranuras (t), corte la cuerda (**figura 18**).
- Coloque el carrete en la herramienta como se describe en el “**REEMPLAZO DEL CARRETE**”.



MANTENIMIENTO

⚠️ ADVERTENCIA: Para evitar lesiones graves, apague y desenchufe la herramienta antes de realizar cualquier tipo de mantenimiento.

1. Mantenga limpias las ranuras de admisión de aire para evitar el sobrecalentamiento.
2. La cuerda de la podadora puede secarse con el tiempo. Para conservar la cuerda en óptimas condiciones, guarde los carretes pre-enrollados de repuesto o la cuerda en paquete en una bolsa sellada de plástico con una cucharada de agua.
3. Las piezas de plástico pueden limpiarse utilizando jabón suave y un paño húmedo.
4. La cortadora de cuerda en el extremo del protector puede perder filo con el tiempo. Se recomienda mantener periódicamente el filo de la hoja con una lima.

IMPORTANTE: Para garantizar la SEGURIDAD y la CONFIABILIDAD del producto, las reparaciones, el mantenimiento y el ajuste deben realizarse en los centros de mantenimiento autorizados o en otras organizaciones de mantenimiento calificadas, utilizando siempre piezas de repuesto idénticas.

De reciclado de baterías y el Sello RBRC™

El sello RBRC™ (Corporación de reciclado de baterías recargables) que se encuentra sobre la batería de níquel-cadmio (o paquete de batería) indica que los costos para reciclar la batería (o el paquete de batería) al final de su vida útil ya han sido pagados por Black & Decker. En algunas zonas, es ilegal tirar las baterías usadas de níquel-cadmio en la basura o en el flujo de desechos sólidos del municipio. El programa RBRC proporciona una alternativa de conciencia sobre el cuidado del medio ambiente. RBRC en cooperación con Black & Decker y otros usuarios de



baterías, estableció programas en los Estados Unidos y Canadá para facilitar la recolección de baterías de níquel-cadmio ya usadas. Ayude a proteger nuestro medio ambiente y a conservar los recursos naturales devolviendo las baterías de níquel-cadmio ya usadas a un centro de mantenimiento autorizado Black & Decker o a un comerciante minorista para que sean recicladas. También puede comunicarse con el centro de reciclado para obtener información o dónde dejar las baterías, o llame al **1-800-8-BATTERY**.

DETECCIÓN DE PROBLEMAS

LA HERRAMIENTA FUNCIONA LENTAMENTE.

- Verifique que la cubierta del carrete pueda girar libremente. Si es necesario, límpiela cuidadosamente.
- Verifique que la cuerda de corte no sobresalga más de 136 mm (5-3/8 pulgadas) del carrete aproximadamente. Si sobresale más, corte el excedente de manera que esté a la altura de la cuerda de la hoja de corte.

LA ALIMENTACIÓN AUTOMÁTICA DE LA CUERDA NO FUNCIONA.

- Mantenga presionadas las lengüetas y extraiga el carrete de la cubierta del carrete en el cabezal de la podadora.
- Tire de la cuerda de corte hasta que sobresalga 136mm (5-3/8 pulgadas) del carrete. Si la cuerda de corte que queda en el carrete es insuficiente, instale un nuevo carrete de cuerda de corte.
- Asegúrese de que la cuerda no se haya entrecruzado con el carrete como se detalla en la **figura 19**. Si se ha entrecruzado, desenrolle la cuerda de corte y nuevamente enrolle la cuerda prolijamente en el carrete de manera que las cuerdas no se entrecrucen.
- Asegúrese de que el principio de la línea de corte se tensa contra el carrete como se muestra en la **figura 18**.

- Alinee las lengüetas en la tapa del carrete con las muescas de la cubierta.
- Empuje el carrete dentro de la cubierta hasta que encaje firmemente en su lugar.
- Si la cuerda de corte sobresale más allá de la hoja de corte, corte el excedente de manera que esté a la altura de la hoja. Si la alimentación automática de la cuerda aún no funciona o el carrete está atascado, haga lo siguiente:
- Limpie cuidadosamente el carrete y la cubierta.
- Retire el carrete y verifique si la palanca en la cubierta se puede mover libremente.
- Retire el carrete y desenrolle la cuerda de corte, para luego volver a enrollarla prolijamente. Reemplace el carrete de la cubierta.

INFORMACIÓN DE MANTENIMIENTO

Todos los Centros de servicio de Black & Decker cuentan con personal altamente capacitado dispuesto a brindar a todos los clientes un servicio eficiente y confiable en la reparación de herramientas eléctricas. Si necesita consejo técnico, reparaciones o piezas de repuesto originales de fábrica, póngase en contacto con el centro de servicio de Black & Decker más cercano a su domicilio. Para ubicar su centro de servicio local, llame al **1-800-544-6986** o visite nuestro sitio **www.blackanddecker.com**.

GARANTÍA COMPLETA DE DOS AÑOS PARA USO EN EL HOGAR

Black & Decker (Estados Unidos) Inc. ofrece una garantía de dos años por cualquier defecto del material o de fabricación de este producto. El producto defectuoso se reparará o reemplazará sin costo alguno de dos maneras.

La primera opción, el reemplazo, es devolver el producto al comercio donde se adquirió (siempre y cuando se trate de un comercio participante). Las devoluciones deben realizarse conforme a la política de devolución del comercio (generalmente, entre 30 y 90 días posteriores a la venta). Le pueden solicitar comprobante de compra. Consulte en el comercio acerca de la política especial sobre devoluciones una vez excedido el plazo establecido.

La segunda opción es llevar o enviar el producto (con flete pago) a un Centro de servicio propio o autorizado de Black & Decker para su reparación o reemplazo según nuestro criterio. Le pueden solicitar el comprobante de compra.

Esta garantía no se extiende a los accesorios. Esta garantía le concede derechos legales específicos; usted puede tener otros derechos que pueden variar según el estado o la provincia. Si tiene alguna pregunta, comuníquese con el gerente del Centro de servicio de Black & Decker de su zona. Este producto no está diseñado para uso comercial.

AMÉRICA LATINA: esta garantía no se aplica a los productos que se venden en América Latina. Para los productos que se venden en América Latina, debe consultar la información de la garantía específica del país que viene en el empaque, llamar a la compañía local o visitar el sitio Web a fin de obtener esa información.

· **GARANTÍA BLACK & DECKER · BLACK & DECKER WARRANTY**
· **SOLAMENTE PARA PROPOSITOS DE MEXICO**

Distributor Name · **Sello firma del distribuidor**

Date of purchase · **Fecha de compra** **Invoice No. · No. de factura**

PRODUCT INFORMATION · **IDENTIFICACIÓN DEL PRODUCTO**

Cat. No. · **Catalogo ó Modelo** **Serial Number · No. de serie**

Name · **Nombre** **Last Name · Apellido**

Address · **Dirección**

City · **Ciudad** **State · Estado**

Postal Code · **Código Postal** **Country · País**

Telephone · **No. Teléfono**

2 ANOS DE GARANTIA

Este producto cuenta con dos años de garantía a partir de la fecha de compra contra cualquier defecto de su funcionamiento, así como cualquier falla debido a materiales empleados para su fabricación ó mano de obra defectuosa.

Nuestra garantía incluye la reparación o reposición del producto y/o componentes sin cargo alguno para el cliente incluyendo la mano de obra, esta incluye los gastos de trasportación erogados para lograr cumplimiento de esta garantía en los domicilios diversos señalados.

Para hacer efectiva esta garantía deberá presentar su herramienta y esta póliza sellada por el establecimiento comercial donde se adquirió el producto.

Nos comprometemos a entregar el producto en un lapso no mayor a 30 días hábiles contados a partir de la fecha de recepción del mismo en nuestros talleres de servicio autorizados.

ESTA GARANTIA NO APLICA CUANDO:

El producto se hubiese utilizado en condiciones distintas a las normales.

El producto no hubiese sido operado de acuerdo con el instructivo de uso que se acompaña.

El producto hubiese sido alterado o reparado por personas no autorizadas por nosotros.

Importador: Black & Decker S.A. de .C.V

Bosque de Cidros Acceso Radiatas No.42

3ra.Seccion de Bosques de las lomas

C.P.05120, Mexico, D.F. Tel: (01 55) 5326 7100

SOLAMENTE PARA PROPOSITOS DE MEXICO

Grupo Realsa en herramientas, S.A. de C.V.

Súper Manzana 69 MZ.01 Lote 30
(Av. Torcasita)
Col. Puerto Juárez
Cancún, Quintana Roo
Tel. 01 998 884 72 27

Ferre Pat de Puebla, S.A. de C.V.

16 de Septiembre No. 6149
Col. El Cerrito
Puebla, Puebla
Tel. 01 222 264 12 12

Ferre Pat de Puebla, S.A. de C.V.

Ejército Mexicano No. 15
Col. Ejido 1ro. de Mayo
Boca del Rio, Veracruz
Tel. 01 229 167 89 89

Servicio de Fabrica Black & Decker, S.A. de C.V.

Lázaro Cardenas No. 18
Col. Obrera
Distrito Federal
Tel. 55 88 95 02

Representaciones Industriales Robles, S.A. de C.V.

Tezozomoc No. 89
Col. La Preciosa
Distrito Federal
Tel. 55 61 86 82

Gpo. Comercial de Htas. y Refacciones de Occidente, S.A. de C.V.

Av. La Paz No. 1779
Col. Americana, S. Juaréz
Guadalajara, Jalisco
Tel. 01 33 38 25 69 78

Herramientas y Equipos Profesionales

Av. Colón 2915 Ote.
Col. Francisco I. Madero
Monterrey, Nvo. León
Tel. 01 81 83 54 60 06

Htas. Portátiles de Chihuahua, S.A. de C.V.

Av. Universidad No. 2903
Col. Fracc. Universidad
Chihuahua, Chihuahua
Tel. 01 614 413 64 04

Fernando González Armenta

Bolivia No. 605
Col. Felipe Carrillo Puerto
Cd. Madero, Tampico
Tel. 01 833 221 34 50

Perfiles y Herramientas de Morelia

Gertrudis Bocanegra No. 898
Col. Ventura Puente
Morelia, Michoacán
Tel. 01 443 313 85 50

Enrique Robles

Av. de la Solidaridad No. 12713
Col. La Pradera
Irapuato, Guanajuato
Tel. 01 462 626 67 39

Hernández Martínez Jeanette

Prolongación Corregidora Nte. No. 1104
Col. Arboledas
Querétaro, Qro.
Tel. 01 442 245 25 80

PARA OTRAS LOCALIDADES LLAME AL 01 800 847 2309 o 01 800 847 2312.

BLACK & DECKER S.A. DE C.V.
BOSQUES DE CIDROS ACCESO RADIATAS NO. 42
COL. BOSQUES DE LAS LOMAS.
05120 MÉXICO, D.F.
TEL. (01 55) 5326 7100
01 800 847 2309/01 800 847 2312

Cat. Nos. NST1118, NST2118

Form No. 90601848

September 2013

Copyright© 2013 Black & Decker

Printed in China

Free Manuals Download Website

<http://myh66.com>

<http://usermanuals.us>

<http://www.somanuals.com>

<http://www.4manuals.cc>

<http://www.manual-lib.com>

<http://www.404manual.com>

<http://www.luxmanual.com>

<http://aubethermostatmanual.com>

Golf course search by state

<http://golfingnear.com>

Email search by domain

<http://emailbydomain.com>

Auto manuals search

<http://auto.somanuals.com>

TV manuals search

<http://tv.somanuals.com>