



Powerfile

# INSTRUCTION MANUAL

THANK YOU FOR CHOOSING BLACK & DECKER!  
GO TO [WWW.BLACKANDDECKER.COM/NEWOWNER](http://WWW.BLACKANDDECKER.COM/NEWOWNER)  
TO REGISTER YOUR NEW PRODUCT.

## PLEASE READ BEFORE RETURNING THIS PRODUCT FOR ANY REASON:

FOR INSTANT ANSWERS 24 HOURS A DAY, IF YOU HAVE A QUESTION OR EXPERIENCE  
A PROBLEM WITH YOUR BLACK & DECKER PURCHASE, GO TO  
[HTTP://WWW.BLACKANDDECKER.COM/INSTANTANSWERS](http://WWW.BLACKANDDECKER.COM/INSTANTANSWERS)  
IF YOU CAN'T FIND THE ANSWER OR DO NOT HAVE ACCESS TO THE INTERNET, CALL  
**1-800-544-6986** FROM 8 AM TO 5 PM EST MON-FRI TO SPEAK WITH AN AGENT.  
PLEASE HAVE THE CATALOG NUMBER AVAILABLE WHEN YOU CALL.

Catalog Number  
PF260



**SAVE THIS MANUAL FOR FUTURE REFERENCE.**

**VEA EL ESPANOL EN LA CONTRAPORTADA.**

INSTRUCTIVO DE OPERACIÓN, CENTROS DE SERVICIO Y PÓLIZA DE GARANTÍA.  
**ADVERTENCIA: LÉASE ESTE INSTRUCTIVO ANTES DE USAR EL PRODUCTO.**

## SAFETY GUIDELINES - DEFINITIONS

It is important for you to read and understand this manual. The information it contains relates to protecting YOUR SAFETY and PREVENTING PROBLEMS. The symbols below are used to help you recognize this information.

**⚠ DANGER:** Indicates an imminently hazardous situation which, if not avoided, will result in death or serious injury.

**⚠ WARNING:** Indicates a potentially hazardous situation which, if not avoided, could result in death or serious injury.

**⚠ CAUTION:** Indicates a potentially hazardous situation which, if not avoided, may result in minor or moderate injury.

**NOTICE:** Used without the safety alert symbol indicates potentially hazardous situation which, if not avoided, may result in property damage.

## General Safety Rules

**⚠ WARNING: Read all safety warnings and all instructions.**  
*Failure to follow the warnings and instructions may result in electric shock, fire and/or serious injury.*

## SAVE ALL WARNINGS AND INSTRUCTIONS FOR FUTURE REFERENCE

*The term "power tool" in the warnings refers to your mains-operated (corded) power tool or battery-operated (cordless) power tool.*

### 1) WORK AREA SAFETY

- a) **Keep work area clean and well lit.** *Cluttered or dark areas invite accidents.*
- b) **Do not operate power tools in explosive atmospheres, such as in the presence of flammable liquids, gases or dust.** *Power tools create sparks which may ignite the dust or fumes.*
- c) **Keep children and bystanders away while operating a power tool.**  
*Distractions can cause you to lose control.*

### 2) ELECTRICAL SAFETY

- a) **Power tool plugs must match the outlet. Never modify the plug in any way. Do not use any adapter plugs with earthed (grounded) power tools.** *Unmodified plugs and matching outlets will reduce risk of electric shock.*
- b) **Avoid body contact with earthed or grounded surfaces such as pipes, radiators, ranges and refrigerators.** *There is an increased risk of electric shock if your body is earthed or grounded.*
- c) **Do not expose power tools to rain or wet conditions.** *Water entering a power tool will increase the risk of electric shock.*
- d) **Do not abuse the cord. Never use the cord for carrying, pulling or unplugging the power tool. Keep cord away from heat, oil, sharp edges or moving parts.** *Damaged or entangled cords increase the risk of electric shock.*
- e) **When operating a power tool outdoors, use an extension cord suitable for outdoor use.** *Use of a cord suitable for outdoor use reduces the risk of electric shock.*
- f) **If operating a power tool in a damp location is unavoidable, use a ground fault circuit interrupter (GFCI) protected supply.** *Use of a GFCI reduces the risk of electric shock.*

### 3) PERSONAL SAFETY

- a) **Stay alert, watch what you are doing and use common sense when operating a power tool. Do not use a power tool while you are tired or under the influence of drugs, alcohol or medication.** *A moment of inattention while operating power tools may result in serious personal injury.*
- b) **Use personal protective equipment. Always wear eye protection.** *Protective equipment such as dust mask, nonskid safety shoes, hard hat, or hearing protection used for appropriate conditions will reduce personal injuries.*
- c) **Prevent unintentional starting. Ensure the switch is in the off position before connecting to power source and/ or battery pack, picking up or carrying the tool.** *Carrying power tools with your finger on the switch or energizing power tools that have the switch on invites accidents.*

- d) **Remove any adjusting key or wrench before turning the power tool on.** *A wrench or a key left attached to a rotating part of the power tool may result in personal injury.*
  - e) **Do not overreach. Keep proper footing and balance at all times.** *This enables better control of the power tool in unexpected situations.*
  - f) **Dress properly. Do not wear loose clothing or jewelry. Keep your hair, clothing and gloves away from moving parts.** *Loose clothes, jewelry or long hair can be caught in moving parts.*
  - g) **If devices are provided for the connection of dust extraction and collection facilities, ensure these are connected and properly used.** *Use of dust collection can reduce dust-related hazards.*
- 4) POWER TOOL USE AND CARE**
- a) **Do not force the power tool. Use the correct power tool for your application.** *The correct power tool will do the job better and safer at the rate for which it was designed.*
  - b) **Do not use the power tool if the switch does not turn it on and off.** *Any power tool that cannot be controlled with the switch is dangerous and must be repaired.*
  - c) **Disconnect the plug from the power source and/or the battery pack from the power tool before making any adjustments, changing accessories, or storing power tools.** *Such preventive safety measures reduce the risk of starting the power tool accidentally.*
  - d) **Store idle power tools out of the reach of children and do not allow persons unfamiliar with the power tool or these instructions to operate the power tool.** *Power tools are dangerous in the hands of untrained users.*
  - e) **Maintain power tools. Check for misalignment or binding of moving parts, breakage of parts and any other condition that may affect the power tool's operation. If damaged, have the power tool repaired before use.** *Many accidents are caused by poorly maintained power tools.*
  - f) **Keep cutting tools sharp and clean.** *Properly maintained cutting tools with sharp cutting edges are less likely to bind and are easier to control.*
  - g) **Use the power tool, accessories and tool bits, etc. in accordance with these instructions, taking into account the working conditions and the work to be performed.** *Use of the power tool for operations different from those intended could result in a hazardous situation.*
- 5) SERVICE**
- a) **Have your power tool serviced by a qualified repair person using only identical replacement parts.** *This will ensure that the safety of the power tool is maintained.*

## Specific Safety Rules

- **Hold power tool by insulated gripping surfaces, because the belt may contact its own cord.** *Cutting a "live" wire may make exposed metal parts of the tool "live" and could give the operator an electric shock.*
- **Always hold tool firmly with both hands and only operate when hand held.**
- **Use clamps or another practical way to secure and support the work piece to a stable platform.** *Holding the work by hand or against your body leaves it unstable and may lead to loss of control.*

**⚠ WARNING: ALWAYS use safety glasses.** *Everyday eyeglasses are NOT safety glasses. Also use face or dust mask if operation is dusty. ALWAYS WEAR CERTIFIED SAFETY EQUIPMENT:*

- ANSI Z87.1 eye protection (CAN/CSA Z94.3),
- ANSI S12.6 (S3.19) hearing protection,
- NIOSH/OSHA respiratory protection.

**⚠ WARNING: Some dust created by power sanding, sawing, grinding, drilling, and other construction activities contains chemicals known to cause cancer, birth defects or other reproductive harm. Some examples of these chemicals are:**

- lead from lead-based paints,
- crystalline silica from bricks and cement and other masonry products, and
- arsenic and chromium from chemically-treated lumber (CCA).

Your risk from these exposures varies, depending on how often you do this type of work. To reduce your exposure to these chemicals: work in a well ventilated area, and

work with approved safety equipment, such as those dust masks that are specially designed to filter out microscopic particles.

- **Avoid prolonged contact with dust from power sanding, sawing, grinding, drilling, and other construction activities. Wear protective clothing and wash exposed areas with soap and water.** Allowing dust to get into your mouth, eyes, or lay on the skin may promote absorption of harmful chemicals.

**⚠ WARNING: Use of this tool can generate and/or disperse dust, which may cause serious and permanent respiratory or other injury.** Always use NIOSH/ OSHA approved respiratory protection appropriate for the dust exposure. Direct particles away from face and body.

**⚠ CAUTION: Wear appropriate hearing protection during use. Under some conditions and duration of use, noise from this product may contribute to hearing loss.**

The label on your tool may include the following symbols.

V..... volts	A..... amperes
Hz..... hertz	W..... watts
min..... minutes	~ ..... alternating current
== ..... direct current	n <sub>o</sub> ..... no load speed
□ ..... Class II Construction	⊕ ..... earthing terminal
⚠ ..... safety alert symbol	
.../min..... revolutions or reciprocations per minute	

## MOTOR

Be sure your power supply agrees with nameplate marking. 120 Volts AC only means your tool will operate on standard 60 Hz household power. Do not operate AC tools on DC. A rating of 120 volts AC/DC means that you tool will operate on standard 60 Hz AC or DC power. This information is printed on the nameplate. Lower voltage will cause loss of power and can result in over-heating. All Black & Decker tools are factory-tested; if this tool does not operate, check the power supply.

## Extension Cords

When using an extension cord, be sure to use one heavy enough to carry the current your product will draw. An undersized cord will cause a drop in line voltage resulting in loss of power and overheating. The following table shows the correct size to use depending on cord length and nameplate ampere rating. If in doubt, use the next heavier gage. The smaller the gage number, the heavier the cord.

# SAVE THESE INSTRUCTIONS

## ⚠ Safety Warnings and Instructions: Sanders

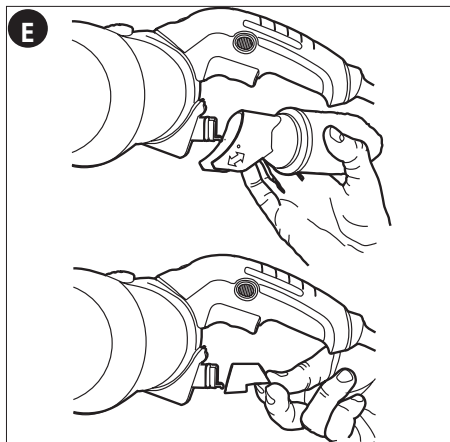
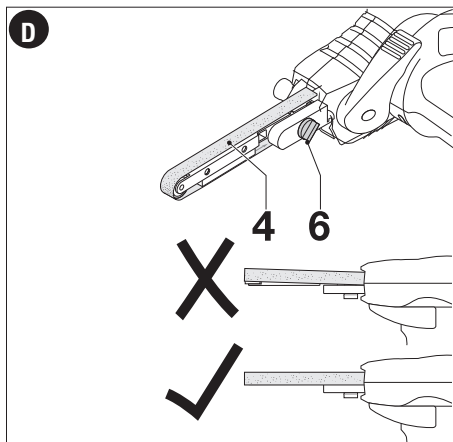
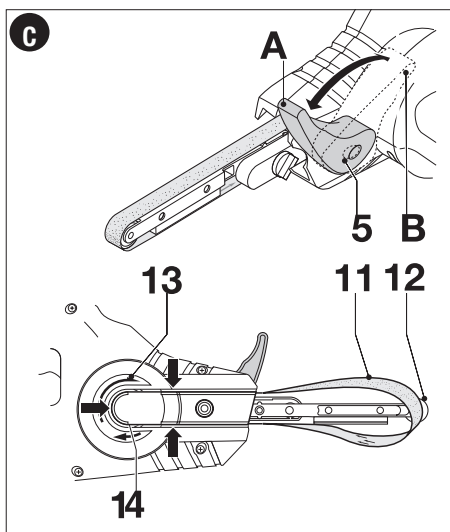
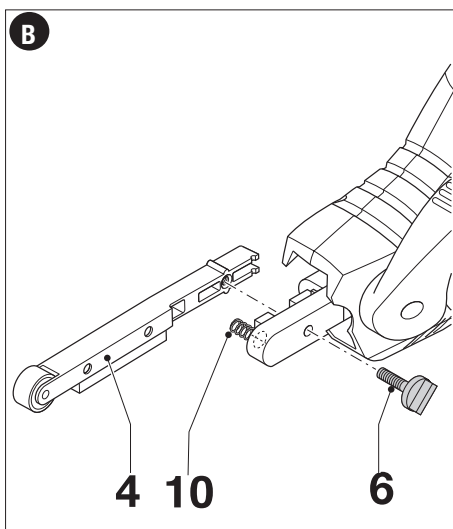
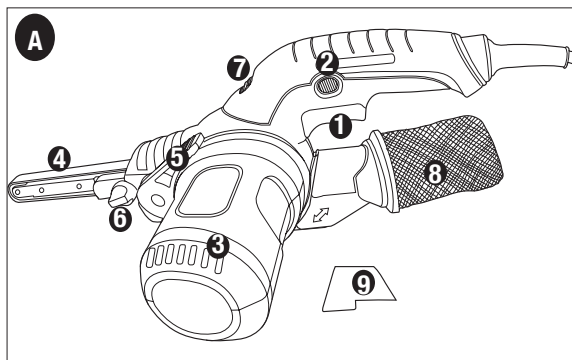
- **ALWAYS USE PROPER EYE AND RESPIRATORY PROTECTION.**
- Clean your tool out periodically.
- Before using the tool on metal workpieces or workpieces containing metal, make sure to remove the dustbag.
- Wear gloves when working with metal workpieces.

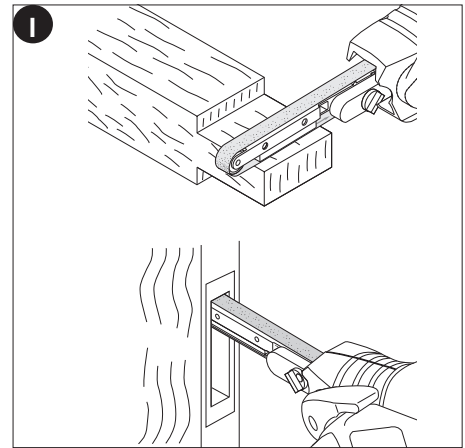
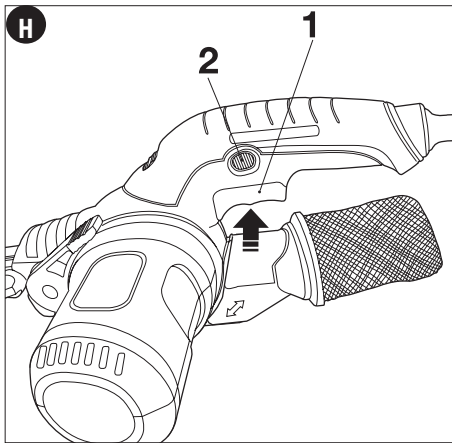
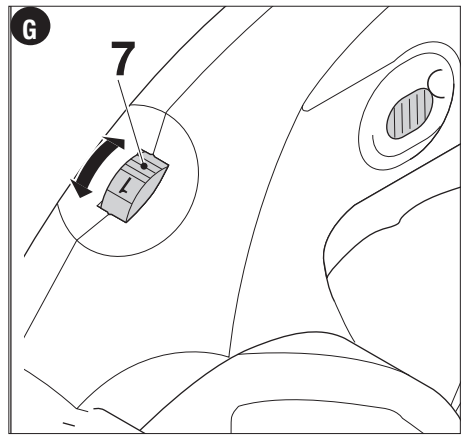
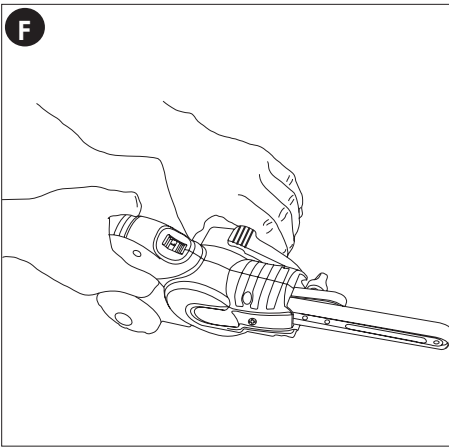
## ⚠ Other Important Safety Warnings and Instructions

Volts	Minimum Gage for Cord Sets				
	Total Length of Cord in Feet				
120V	0-25	26-50	51-100	101-150	
	(0-7,6m)	(7,6-15,2m)	(15,2-30,4m)	(30,4-45,7m)	
240V	0-50	51-100	101-200	201-300	
	(0-15,2m)	(15,2-30,4m)	(30,4-60,9m)	(60,9-91,4m)	
Ampere Rating		American Wire Gage			
More Than	Not more Than				
0	- 6	18	16	16	14
6	- 10	18	16	14	12
10	- 12	16	16	14	12
12	- 16	14	12	Not Recommended	

## Functional Description

1. On/off switch
2. Lock-on button
3. Secondary handle / motor
4. Sanding arm
5. Belt tensioning lever
6. Belt tracking knob
7. Variable speed control knob
8. Dustbag
9. Deflector





## SANDING

### LEAD BASE PAINT

Sanding of lead based paint is NOT RECOMMENDED due to the difficulty of controlling the contaminated dust. The greatest danger of lead poisoning is to children and pregnant women. Since it is difficult to identify whether or not a paint contains lead without a chemical analysis, we recommend the following precautions when sanding any paint:

### PERSONAL SAFETY

- No children or pregnant women should enter the work area where the paint sanding is being done until all clean up is completed.
- A dust mask or respirator should be worn by all persons entering the work area. The filter should be replaced daily or whenever the wearer has difficulty breathing.  
**NOTE:** Only those dust masks suitable for working with lead paint dust and fumes should be used. Ordinary painting masks do not offer this protection. See your local hardware dealer for the proper (NIOSH approved) mask.
- NO EATING, DRINKING or SMOKING should be done in the work area to prevent ingesting contaminated paint particles. Workers should wash and clean up BEFORE eating, drinking or smoking. Articles of food, drink, or smoking should not be left in the work area where dust would settle on them.

### ENVIRONMENTAL SAFETY

- Paint should be removed in such a manner as to minimize the amount of dust generated.

- Areas where paint removal is occurring should be sealed with plastic sheeting of 4 mils thickness.
- Sanding should be done in a manner to reduce tracking of paint dust outside the work area.

## CLEANING AND DISPOSAL

- All surfaces in the work area should be vacuumed and thoroughly cleaned daily for the duration of the sanding project. Vacuum filter bags should be changed frequently.
- Plastic drop cloths should be gathered up and disposed of along with any dust chips or other removal debris. They should be placed in sealed refuse receptacles and disposed of through regular trash pick-up procedures. During clean up, children and pregnant women should be kept away from the immediate work area.
- All toys, washable furniture and utensils used by children should be washed thoroughly before being used again.

## ADJUSTMENTS

**⚠ WARNING: To prevent accidental operation, turn off and unplug tool before performing the following operations.** Failure to do this could result in serious personal injury.

### ATTACHING AND REMOVING SANDING ARMS (FIG. B)

#### Attaching

- Loosen and remove the belt tracking knob (6).
- Check that the spring (10) is located in its mounting hole.
- Position the arm (4) as shown.
- Thread in belt tracking knob (6) and tighten it until the arm is aligned with the tool.

#### Removing

- Remove the sanding belt (if present) as described below.
- Loosen and remove the belt tracking knob (6).
- Remove the arm.

### ATTACHING AND REMOVING SANDING BELTS (FIG. C)

#### Attaching

- Move the belt tensioning lever (5) to the front position (A).
- Make sure that the arrows on the inside of the sanding belt face the same direction as the arrows (13) on the housing.
- Place the sanding belt (11) over the front pulley (12) and the rear pulley (14), sliding it through the slot in the housing.
- Move the belt tensioning lever (5) to the rear position (B).
- Adjust the belt tracking as described below.

#### Removing

- Move the belt tensioning lever (5) to the front position (A).
- Slide the sanding belt (11) off the pulleys.

### ADJUSTING THE SANDING BELT TRACKING (FIG. D)

- Switch the tool on by pressing the on/off switch (1).
- Turn the belt tracking knob (6) as required until the sanding belt runs straight along the length of the arm.

### ATTACHING AND REMOVING THE DUSTBAG OR DEFLECTOR (FIG. E)

#### Attaching

- Align the dustbag (8) or the deflector (9) with the tool as shown.
- Slide the dustbag or deflector onto the tool and ensure it is securely located.

#### Removing

- Pull the dustbag or deflector to the rear and off the tool.

**⚠ WARNING: Fire Hazard.** Attach the dustbag before using the tool on wooden workpieces. Remove the dustbag and attach the deflector before using the tool on workpieces which contain metal.

## OPERATION

⚠ **WARNING:** *ALWAYS use safety glasses. Everyday eyeglasses are NOT safety glasses.*

⚠ **WARNING:** Severe abrasion hazard. Always hold tool firmly with one hand on the switch handle and the other hand on the secondary handle (3) as shown in Figure F. Never operate the Powerfile in an inverted stationary position.

- Let the tool work at its own pace.
- Do not overload.

## VARIABLE SPEED CONTROL (FIG. G)

The variable speed control allows you to adapt the speed of the tool to the workpiece material.

- Use a low speed setting when using a fine grit, when working with plastics or ceramics and when removing painted or varnished surfaces. Use a high speed setting when using a coarse grit and when removing a lot of material.
- Set the control knob (7) to the desired setting.

## SWITCHING ON AND OFF (FIG. H)

⚠ **WARNING:** Before plugging in the tool, always check to see that the switch trigger activates properly and returns to the “off” position when released and that either the dustbag (for non-metallic material) or the deflector (for metallic material) is in place on the exhaust opening.

- To switch the tool on, press the on/off switch (1).
- To switch the tool off, release the on/off switch.
  - For continuous operation:
    - Press the on/off switch (1).
    - Press the lock-on button (2).
    - Release the on/off switch.
- To switch the tool off when in continuous operation, press and release on/off switch (1).

## DUST COLLECTION

⚠ **WARNING:** To prevent accidental operation, turn off and unplug sander before installing the dust bag (8) or deflector (9).

⚠ **WARNING:** Fire hazard. Collected sanding dust from sanding surface coatings (polyurethane, linseed oil, etc.) can self-ignite in sander dust bag or elsewhere and cause fire. To reduce risk, empty bag frequently and strictly follow sander manual and coating manufacturer’s instructions.

⚠ **WARNING:** Fire hazard. When sanding wood that could contain nails or when sanding metal surfaces, do not use the dust bag (8) or a vacuum cleaner because sparks are generated. Instead attach the deflector (9) with the open area facing away from your body. Wear safety glasses and a dust mask. Due to the danger of fire, do not use your sander to sand magnesium surfaces. Do not use for wet sanding.

## EMPTYING THE DUSTBAG (FIG. E)

The dustbag should be emptied every 10 minutes of use.

- Pull the dustbag (8) to the rear and off the tool.
- Hold the spout down and shake the dustbag to empty the contents.
- Reattach the dustbag onto the tool.
  - If necessary, the dustbag can be removed from its frame and washed. Let it dry before refitting it.

## APPLICATIONS

### Straight arm (fig. I)

- Use the normal or narrow arm for general use, for slotting and for making joints.

## HINTS FOR OPTIMUM USE

- Always hold the tool with two hands.
- Do not exert too much pressure on the tool.
- Regularly check the condition of the sanding belt. Replace when necessary.
- Always sand with the grain of the wood.
- Always start your sander before it is in contact with the workpiece and do not switch it off until after it has been lifted from the workpiece.



- Where possible, clamp the workpiece to a work bench or similar sturdy surface.
- When sanding new layers of paint before applying another layer, use extra fine grit.
- On very uneven surfaces, or when removing layers of paint, start with a coarse grit. On other surfaces, start with a medium grit. In both cases, gradually change to a fine grit for a smooth finish.
- Use the correct grit sanding belt for your application. The following is a suggested list of belt grits to use with different materials.

<b>MATERIAL</b>	<b>BELT GRIT</b>
Solid Wood	80
Veneer	150
Chipboard	60/80
Plastics	100
Steel	80 (remove dust bag)
Paint Removal	40/60
Balsa Wood	100
Acrylic	100

## Tool Care And Maintenance

Never apply excessive force when you use your sander. Too much force can result in an overload and cause damage to the motor or the workpiece. Always keep the air cooling vents clear. To clean your belt sander, proceed as follows:

**⚠ WARNING:** To prevent accidental operation, turn off and unplug sander before performing the following operations. Failure to do this could result in serious personal injury.

- Use a clean dry paint brush to clear vents and ducts.
- Clean the housings using a clean damp cloth (do not use solvents, gas or turpentine.)

**IMPORTANT:** To assure product SAFETY and RELIABILITY, repairs, maintenance and adjustment should be performed by authorized service centers or other qualified service personnel, always using identical replacement parts.

## ACCESSORIES

Use only 1/2in. x 18in. (13mm x 457mm) sanding belts. Recommended accessories for use with your tool are available at extra cost from your local dealer or authorized service center. If you need assistance in locating any accessory for your tool, please call **1-800-544-6986**.

**⚠ CAUTION::** The use of any other accessory not recommended for use with this tool could be hazardous.

## SERVICE INFORMATION

Black & Decker offers a full network of company-owned and authorized service locations throughout North America. All Black & Decker Service Centers are staffed with trained personnel to provide customers with efficient and reliable power tool service.

Whether you need technical advice, repair, or genuine factory replacement parts, contact the Black & Decker location nearest you. To find your local service location, refer to the yellow pages directory under "Tools—Electric" or call: **1-800-544-6986**.

## FULL TWO-YEAR HOME USE WARRANTY

Black & Decker (U.S.) Inc. warrants this product for two years against any defects in material or workmanship. The defective product will be replaced or repaired at no charge in either of two ways.

The first, which will result in exchanges only, is to return the product to the retailer from whom it was purchased (provided that the store is a participating retailer). Returns should be made within the time period of the retailer's policy for exchanges (usually 30 to 90 days after the sale). Proof of purchase may be required. Please check with the retailer for their specific return policy regarding returns that are beyond the time set for exchanges.

The second option is to take or send the product (prepaid) to a Black & Decker owned or authorized Service Center for repair or replacement at our option. Proof of purchase may be required. Black & Decker owned and authorized Service Centers are listed under "Tools-Electric" in the yellow pages of the phone directory.

This warranty does not apply to accessories. This warranty gives you specific legal

rights and you may have other rights which vary from state to state. Should you have any questions, contact the manager of your nearest Black & Decker Service Center. This product is not intended for commercial use.

**FREE WARNING LABEL REPLACEMENT:** If your warning labels become illegible or are missing, call 1-800-544-6986 for a free replacement.

### TROUBLESHOOTING

<b>Problem</b>	<b>Possible Cause</b>	<b>Possible Solution</b>
<ul style="list-style-type: none"> <li>• Unit will not start.</li> </ul>	<ul style="list-style-type: none"> <li>• Cord not plugged in.</li>   <li>• Circuit fuse is blown.</li>   <li>• Circuit breaker is tripped.</li>   <li>• Cord or switch is damaged.</li> </ul>	<ul style="list-style-type: none"> <li>• Plug tool into a working outlet.</li> <li>• Replace circuit fuse. (If the product repeatedly causes the circuit fuse to blow, discontinue use immediately and have it serviced at a Black &amp; Decker service center or authorized servicer.)</li> <li>• Reset circuit breaker. (If the product repeatedly causes the circuit breaker to trip, discontinue use immediately and have it serviced at a Black &amp; Decker service center or authorized servicer.)</li> <li>• Have cord or switch replaced at Black &amp; Decker Service Center or Authorized Servicer.</li> </ul>

For assistance with your product, visit our website [www.blackanddecker.com](http://www.blackanddecker.com) for the location of the service center nearest you or call the BLACK & DECKER help line at **1-800-544-6986**.

Imported by  
Black & Decker (U.S.) Inc.,  
701 E. Joppa Rd.  
Towson, MD 21286 U.S.A.



See 'Tools-Electric'  
– Yellow Pages –  
for Service & Sales



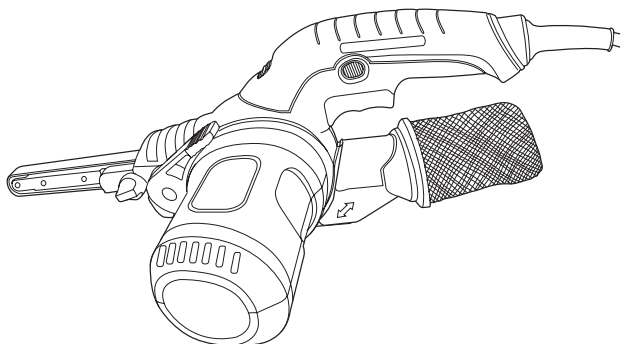


Lime électrique/ponceuse à courroie

## MODE D'EMPLOI

N° de catalogue

PF260



MERCI D'AVOIR CHOISI BLACK & DECKER !  
VISITEZ [www.BLACKANDDECKER.COM/NEWOWNER](http://www.BLACKANDDECKER.COM/NEWOWNER)  
POUR ENREGISTRER VOTRE NOUVEAU PRODUIT.

**AVANT DE RETOURNER CE PRODUIT POUR  
QUELQUE RAISON QUE CE SOIT, COMPOSER LE  
1-800-544-6986**

AVANT D'APPELER, AYEZ EN MAIN LE N° DE CATALOGUE ET LE CODE DE DATE. DANS LA  
PLUPART DES CAS, UN REPRÉSENTANT DE BLACK & DECKER PEUT RÉSOUDRE LE PROBLÈME  
PAR TÉLÉPHONE. SI VOUS AVEZ UNE SUGGESTION OU UN COMMENTAIRE, APPELEZ-NOUS.

VOS IMPRESSIONS SONT CRUCIALES POUR BLACK & DECKER.

**CONSERVER CE MANUEL POUR UN USAGE ULTÉRIEUR.**

## LIGNES DIRECTRICES EN MATIÈRE DE SÉCURITÉ - DÉFINITIONS

Il est important que vous lisiez et compreniez ce mode d'emploi. Les informations qu'il contient concernent VOTRE SÉCURITÉ et visent à ÉVITER TOUT PROBLÈME. Les symboles ci-dessous servent à vous aider à reconnaître cette information.

**⚠ DANGER** : Indique une situation dangereuse imminente qui, si elle n'est pas évitée, causera la mort ou des graves blessures.

**⚠ AVERTISSEMENT** : Indique une situation potentiellement dangereuse qui, si elle n'est pas évitée, pourrait causer la mort ou de graves blessures.

**⚠ MISE EN GARDE** : Indique une situation potentiellement dangereuse qui, si elle n'est pas évitée, pourrait causer des blessures mineures ou modérées.

**AVIS** : Utilisé sans le symbole d'alerte à la sécurité, indique une situation potentiellement dangereuse qui, si elle n'est pas évitée, peut résulter en des dommages à la propriété.

## Avertissements de sécurité généraux pour les outils électriques

**⚠ AVERTISSEMENT Lire tous les avertissements de sécurité et toutes les directives.** Le non-respect des avertissements et des directives pourrait se solder par un choc électrique, un incendie et/ou une blessure grave.

## Conserver tous les avertissements et toutes les directives pour un usage ultérieur.

Le terme «outil électrique» cité dans les avertissements se rapporte à votre outil électrique à alimentation sur secteur (avec fil) ou par piles (sans fil).

### 1) Sécurité du lieu de travail

- Tenir la zone de travail propre et bien éclairée.** *Les endroits sombres sont souvent des causes d'accidents.*
- Ne pas faire fonctionner d'outils électriques dans un milieu déflagrant, soit en présence de liquides inflammables, de gaz ou de poussière.** *Les outils électriques produisent des étincelles qui peuvent enflammer la poussière ou les vapeurs.*
- Éloigner les enfants et les curieux au moment d'utiliser un outil électrique.** *Une distraction pourrait vous en faire perdre la maîtrise.*

### 2) Sécurité en matière d'électricité

- Les fiches des outils électriques doivent correspondre à la prise. Ne jamais modifier la fiche en aucune façon.** *Ne jamais utiliser de fiche d'adaptation avec un outil électrique mis à la terre. Le risque de choc électrique sera réduit par l'utilisation de fiches non modifiées correspondant à la prise.*
- Éviter tout contact physique avec des surfaces mises à la terre comme des tuyaux, des radiateurs, des cuisinières et des réfrigérateurs.** *Le risque de choc électrique est plus élevé si votre corps est mis à la terre.*
- Ne pas exposer les outils électriques à la pluie ou à d'autres conditions où il pourrait être mouillé.** *La pénétration de l'eau dans un outil électrique augmente le risque de choc électrique.*
- Ne pas utiliser abusivement le cordon d'alimentation. Ne jamais utiliser le cordon pour transporter, tirer ou débrancher un outil électrique. Tenir le cordon éloigné de la chaleur, de l'huile, des bords tranchants ou des pièces mobiles.** *Les cordons endommagés ou emmêlés augmentent les risques de choc électrique.*
- Pour l'utilisation d'un outil électrique à l'extérieur, se servir d'une rallonge convenant à une telle utilisation.** *L'utilisation d'une rallonge conçue pour l'extérieur réduit les risques de choc électrique.*
- S'il est impossible d'éviter l'utilisation d'un outil électrique dans un endroit humide, brancher l'outil dans une prise ou sur un circuit d'alimentation dotés d'un disjoncteur de fuite à la terre (GFCI).** *L'utilisation de ce type de disjoncteur réduit les risques de choc électrique.*

### 3) Sécurité personnelle

- Être vigilant, surveiller le travail effectué et faire preuve de jugement lorsqu'un outil**

électrique est utilisé. **Ne pas utiliser d'outil électrique en cas de fatigue ou sous l'influence de drogues, d'alcool ou de médicaments.** *Un simple moment d'inattention en utilisant un outil électrique peut entraîner des blessures corporelles graves.*

- b) **Utiliser des équipements de protection individuelle. Toujours porter une protection oculaire.** *L'utilisation d'équipements de protection comme un masque antipoussière, des chaussures antidérapantes, un casque de sécurité ou des protecteurs auditifs lors que la situation le requiert réduira les risques de blessures corporelles.*
  - c) **Empêcher les démarrages intempestifs. S'assurer que l'interrupteur se trouve à la position d'arrêt avant de relier l'outil à une source d'alimentation et/ou d'insérer un bloc-piles, de ramasser ou de transporter l'outil.** *Transporter un outil électrique alors que le doigt repose sur l'interrupteur ou brancher un outil électrique dont l'interrupteur est à la position de marche risque de provoquer un accident.*
  - d) **Retirer toute clé de réglage ou clé standard avant de démarrer l'outil.** *Une clé standard ou une clé de réglage attachée à une partie pivotante peut causer des blessures.*
  - e) **Ne pas trop tendre les bras. Conserver son équilibre en tout temps.** *Cela permet de mieux maîtriser l'outil électrique dans les situations imprévues.*
  - f) **S'habiller de manière appropriée. Ne pas porter de vêtements amples ni de bijoux. Garder les cheveux, les vêtements et les gants à l'écart des pièces mobiles.** *Les vêtements amples, les bijoux ou les cheveux longs risquent de rester coincés dans les pièces mobiles.*
  - g) **Si des composants sont fournis pour le raccordement de dispositifs de dépoussiérage et de ramassage, s'assurer que ceux-ci sont bien raccordés et utilisés.** *L'utilisation d'un dispositif de dépoussiérage peut réduire les dangers engendrés par les poussières.*
- 4) **Utilisation et entretien d'un outil électrique**
- a) **Ne pas forcer un outil électrique. Utiliser l'outil électrique approprié à l'application.** *L'outil électrique approprié effectuera un meilleur travail, de façon plus sûre et à la vitesse pour laquelle il a été conçu.*
  - b) **Ne pas utiliser un outil électrique dont l'interrupteur est défectueux.** *Tout outil électrique dont l'interrupteur est défectueux est dangereux et doit être réparé.*
  - c) **Débrancher la fiche du secteur ou le bloc-piles de l'outil électrique avant de faire tout réglage ou changement d'accessoire, ou avant de ranger l'outil électrique.** *Ces mesures préventives réduisent les risques de démarrage accidentel de l'outil électrique.*
  - d) **Ranger les outils électriques hors de la portée des enfants, et ne permettre à aucune personne n'étant pas familière avec un outil électrique (ou son manuel d'instruction) d'utiliser ce dernier.** *Les outils électriques deviennent dangereux entre les mains d'utilisateurs inexpérimentés.*
  - e) **Entretenir les outils électriques. Vérifier les pièces mobiles pour s'assurer qu'elles sont bien alignées et tournent librement, qu'elles sont en bon état et ne sont affectées par aucun trouble susceptible de nuire au bon fonctionnement de l'outil électrique.** *En cas de dommage, faire réparer l'outil électrique avant toute nouvelle utilisation. Beaucoup d'accidents sont causés par des outils électriques mal entretenus.*
  - f) **S'assurer que les outils de coupe sont aiguisés et propres.** *Les outils de coupe bien entretenus et affûtés sont moins susceptibles de se coincer et sont plus faciles à contrôler.*
  - g) **Utiliser l'outil électrique, les accessoires, les forets, etc. conformément aux présentes directives en tenant compte des conditions de travail et du travail à effectuer.** *L'utilisation d'un outil électrique pour toute opération autre que celle pour laquelle il a été conçu est dangereuse.*
- 5) **Réparation**
- a) **Faire réparer l'outil électrique par un réparateur professionnel en n'utilisant que des pièces de rechange identiques.** *Cela permettra de maintenir une utilisation sécuritaire de l'outil électrique.*

## Règles de sécurité spécifiques

- **Tenir l'outil électrique par sa surface de prise isolée dans une situation où l'accessoire de coupe pourrait entrer en contact avec un câble électrique dissimulé ou avec son propre cordon d'alimentation.** *Tout contact entre un fil « sous tension » et l'accessoire de coupe pourrait également mettre « sous tension » les pièces métalliques exposées de l'outil et électrocuter l'utilisateur.*
- **Toujours saisir l'outil fermement des deux mains et le tenir en main pour le faire fonctionner.**

- **Utiliser des brides de fixation ou un autre dispositif de fixation permettant de fixer solidement et de soutenir la pièce sur une plateforme stable.** Tenir la pièce avec la main ou contre son corps la rend instable et risque de provoquer une perte de maîtrise de l'outil.

**⚠ AVERTISSEMENT : TOUJOURS porter des lunettes de sécurité. Les lunettes de vue ne constituent PAS des lunettes de sécurité. Utiliser également un masque facial ou anti-poussière si l'opération de découpe génère de la poussière. TOUJOURS PORTER UN ÉQUIPEMENT DE PROTECTION HOMOLOGUÉ :**

- protection oculaire conforme à la norme ANSI Z87.1 (CAN/CSA Z94.3);
- protection auditive ANSI S12.6 (S3.19);
- protection des voies respiratoires conformes aux normes NIOSH/OSHA/MSHA.

**⚠ AVERTISSEMENT : certains outils électriques, tels que les sableuses, les scies, les meules, les perceuses ou certains autres outils de construction, peuvent produire de la poussière contenant des produits chimiques susceptibles d'entraîner le cancer, des malformations congénitales ou pouvant être nocifs pour le système reproductif. Parmi ces produits chimiques, on retrouve :**

- le plomb dans les peintures à base de plomb,
- la silice cristalline dans les briques et le ciment et autres produits de maçonnerie,
- l'arsenic et le chrome dans le bois de sciage ayant subi un traitement chimique (comme l'arséniate de cuivre et de chrome).

Le risque associé à de telles expositions varie selon la fréquence avec laquelle on effectue ces travaux. Pour réduire l'exposition à de tels produits, il faut travailler dans un endroit bien aéré et utiliser le matériel de sécurité approprié, tel un masque anti-poussières spécialement conçu pour filtrer les particules microscopiques.

- **Éviter tout contact prolongé avec la poussière provenant du ponçage électrique, du sciage, du meulage, du perçage et d'autres activités de construction. Porter des vêtements protecteurs et laver au savon et à l'eau les parties du corps exposées.** Les poussières qui s'infiltrent dans la bouche et les yeux, ou qui se posent sur la peau peuvent favoriser l'absorption de produits chimiques nocifs.

**⚠ AVERTISSEMENT : cet outil peut produire et répandre de la poussière susceptible de causer des dommages sérieux et permanents au système respiratoire.** Toujours utiliser un appareil respiratoire anti-poussières approuvé par le NIOSH ou l'OSHA. Diriger les particules dans le sens opposé du visage et du corps.

**⚠ MISE EN GARDE : Porter un appareil de protection personnel anti-bruit approprié durant l'utilisation. Sous certaines conditions et pendant toute la durée de l'utilisation, le bruit émanant de ce produit pourrait contribuer à la perte d'audition.**

L'étiquette apposée sur votre outil peut comprendre les symboles suivants.

V..... volts	A..... ampères
Hz..... hertz	W..... watts
min..... minutes	~..... courant alternatif
— — — ..... courant continu	⊖..... sous vide
□..... construction de classe II	⊕..... borne de terre
⚠..... symbole d'avertissement	
.../min..... tours ou courses à la minute	

## Moteur

S'assurer que l'intensité nominale du cordon d'alimentation correspond à celle indiquée sur la plaque signalétique; sur cette dernière, la mention «120 V c.a.» signifie que l'outil ne doit être branché que dans une prise résidentielle standard de courant alternatif de 60 Hz et non pas dans une prise de courant continu, alors que «120 V c.a. / c.c.» signifie que l'outil peut fonctionner sur une prise standard de 60 Hz de courant alternatif ou continu. Ces renseignements sont indiqués sur la plaque signalétique. Une tension inférieure à celle indiquée pourrait entraîner une perte de puissance et un surchauffe. Tous les outils Black & Decker sont soumis à des essais en usine; si cet outil ne fonctionne pas, on doit d'abord vérifier l'intensité nominale du cordon d'alimentation.

## Cordons de rallonge

S'assurer que le cordon de rallonge est en bon état avant de s'en servir. Toujours utiliser un cordon de calibre approprié à l'outil; à savoir, le calibre approprié selon différentes longueurs de rallonge et fournissant la tension nécessaire à l'outil. L'utilisation d'un

cordon de calibre inférieur entraîne une baisse de tension et la surchauffe de l'outil. Consulter le tableau plus bas pour connaître le calibre approprié des rallonges.

		Calibre minimal des cordons de rallonge			
Tension	Longueur totale du cordon en pieds				
	120V	0-25 (0-7,6m)	26-50 (7,6-15,2m)	51-100 (15,2-30,4m)	101-150 (30,4-45,7m)
240V	0-50 (0-15,2m)	51-100 (15,2-30,4m)	101-200 (30,4-60,9m)	201-300 (60,9-91,4m)	
Intensité (A)		Calibre moyen des fils (AWG)			
Au moins	Au plus				
0	- 6	18	16	16	14
6	- 10	18	16	14	12
10	- 12	16	16	14	12
12	- 16	14	12	Non recommandé	

## CONSERVER CES DIRECTIVES

### Description fonctionnelle

1. Interrupteur marche/arrêt
2. Bouton de verrouillage
3. Poignée secondaire/moteur
4. Bras de la ponceuse
5. Levier de tension de la courroie
6. Bouton d'alignement de la courroie
7. Molette de commande de la vitesse variable
8. Sac à poussière
9. Déflecteur

### ⚠ Avertissements de sécurité et directives : ponceuses

- **TOUJOURS PORTER UNE PROTECTION OCULAIRE ET UNE PROTECTION RESPIRATOIRE ADÉQUATES.**
- Nettoyer régulièrement l'outil.
- Avant d'utiliser l'outil sur des pièces métalliques ou qui renferment du métal, s'assurer de retirer le sac à poussière.
- Porter des gants pour le travail sur des pièces métalliques.

### ⚠ Autres avertissements de sécurité et directives importantes

#### Ponçage

#### Peinture à base de plomb

IL N'EST PAS RECOMMANDÉ de poncer de la peinture à base de plomb puisqu'il est difficile d'en maîtriser la poussière contaminée. Ce genre de ponçage présente de sérieux risques d'empoisonnement au plomb pour les femmes enceintes et les enfants. Puisqu'il est difficile de déterminer si la peinture renferme du plomb sans en faire une analyse chimique, il est conseillé de se conformer aux mesures suivantes lors du ponçage de tout type de peinture.

#### Sécurité personnelle

- Ne laisser aucun enfant ni aucune femme enceinte entrer dans la pièce où il y a du ponçage de peinture jusqu'à ce que la pièce soit nettoyée.
- Toute personne qui entre dans l'aire de travail doit porter un masque anti-poussière ou un appareil respiratoire; le filtre doit être remplacé chaque jour ou lorsque la respiration devient difficile.  
**REMARQUE** : seuls les masques qui protègent contre les poussières et les émanations de plomb doivent être utilisés, car les masques ordinaires n'offrent pas la protection voulue. Consulter le quincaillier local pour obtenir un masque approuvé par le NIOSH (National Institute of Occupational Health and Safety).
- **IL EST DÉCONSEILLÉ DE MANGER, DE BOIRE ET DE FUMER** dans la pièce de travail afin de ne pas ingérer de particules contaminées. L'utilisateur doit se laver et se nettoyer **AVANT** de manger, de boire ou de fumer. Il ne faut pas laisser dans la pièce de travail de la nourriture, des boissons ou des cigarettes car de la poussière pourrait se déposer sur ces articles.

## Protection de l'environnement

- Il faut enlever la peinture de manière à produire un minimum de poussière.
- Il faut sceller la zone de travail à l'aide de feuilles de plastique d'une épaisseur minimale de 4 mils.
- Il faut poncer de façon à réduire la propagation de la poussière hors de la pièce de travail.

## Nettoyage et déchets

- Il faut bien aspirer toutes les surfaces de la pièce de travail et les nettoyer à fond chaque jour pendant la durée des travaux. Il faut remplacer fréquemment le filtre de l'aspirateur.
- Ramasser les feuilles de plastique et les jeter avec la poussière et les autres débris dans des contenants étanches à placer avec les ordures ménagères pour l'enlèvement. Tenir les enfants et les femmes enceintes à l'écart de la zone de travail pendant les travaux de nettoyage.
- Il faut nettoyer à fond les jouets, les meubles et les ustensiles des enfants avant de les utiliser de nouveau.

## RÉGLAGES

**⚠ AVERTISSEMENT : afin d'éviter une fausse manœuvre, éteindre et débrancher l'outil avant d'effectuer les opérations suivantes.** Le non-respect de cette directive risque d'entraîner des blessures corporelles graves.

### RETRAIT ET FIXATION DES BRAS DE LA PONCEUSE (FIG. B)

#### Fixation

- Desserrer et retirer le bouton d'alignement de la courroie (6).
- S'assurer que le ressort (10) est bien logé dans son trou d'assemblage.
- Positionner le bras (4) comme suit.
- Visser le bouton d'alignement de la courroie (6) et serrer jusqu'à ce que le bras soit aligné avec l'outil.

#### Retrait

- Retirer la bande abrasive (le cas échéant) comme décrit plus bas.
- Desserrer et retirer le bouton d'alignement de la courroie (6).
- Retirer le bras.

### RETRAIT ET FIXATION DES BANDES ABRASIVES (FIG. C)

#### Fixation

- Déplacer le levier de tension de la courroie (5) vers l'avant (A).
- S'assurer que les flèches à l'intérieur de la bande abrasive pointent dans la même direction que les flèches (13) sur le boîtier.
- Insérer la bande abrasive (11) sur les poulies avant (12) et arrière (14) en la glissant dans la rainure pratiquée dans le boîtier.
- Déplacer le levier de tension de la courroie (5) vers l'arrière (B).
- Régler l'alignement de la courroie comme décrit plus bas.

#### Retrait de la fraise

- Déplacer le levier de tension de la courroie (5) vers l'avant (A).
- Glisser la bande abrasive (11) hors des poulies.

### RÉGLAGE DE L'ALIGNEMENT DE LA BANDE ABRASIVE (FIG. D)

- Enfoncer l'interrupteur marche/arrêt (1) pour mettre l'outil sous tension.
- Tourner le bouton d'alignement de la courroie (6) au besoin, jusqu'à ce que la bande abrasive se déplace en ligne droite, le long du bras.

### RETRAIT ET FIXATION DU SAC À POUSSIÈRE OU DU DÉFLECTEUR (FIG. E)

#### Fixation

- Aligner le sac à poussière (8) ou le déflecteur (9) avec l'outil comme indiqué.
- Glisser le sac à poussière ou le déflecteur sur l'outil et s'assurer qu'il est solidement fixé.

#### Retrait

- Tirer le sac à poussière ou le déflecteur vers l'arrière et le dégager de l'outil.

**⚠ AVERTISSEMENT : risque d'incendie.** Fixer le sac à poussière avant d'effectuer des travaux sur des pièces de bois. Pour les pièces renfermant du métal, retirer le sac à poussière et fixer le déflecteur avant d'utiliser l'outil.



## FONCTIONNEMENT

⚠ **AVERTISSEMENT : TOUJOURS** porter des lunettes de sécurité. Les lunettes ordinaires ne constituent PAS des lunettes de sécurité.

⚠ **AVERTISSEMENT : Danger d'éraflures graves. Toujours tenir l'outil fermement avec une main sur la poignée de l'interrupteur et l'autre, sur la poignée secondaire (3), comme indiqué à la figure F. Ne jamais utiliser la lime-ponceuse électrique en position inversée et fixe.**

- Laisser l'outil fonctionner à son propre rythme.
- Ne pas le surcharger.

### COMMANDE DE LA VITESSE VARIABLE (FIG. G)

La commande de la vitesse variable permet de régler le régime de l'outil en fonction du matériau de la pièce.

- Utiliser la vitesse lente lors de l'utilisation d'une bande abrasive à grain fin, pour des travaux sur du plastique ou de la céramique et pour l'enlèvement de peinture ou de vernis. Utiliser une vitesse plus élevée lors de l'utilisation d'une bande abrasive à grain grossier et de l'enlèvement important de matière.
- Régler le bouton de commande (7) à la vitesse voulue.

### MISE EN MARCHÉ ET ARRÊT (FIG. H)

⚠ **AVERTISSEMENT : avant de brancher l'outil, toujours vérifier si la gâchette s'actionne correctement et qu'elle revient en position d'arrêt dès qu'elle est relâchée ainsi que la présence du sac à poussière (pour les matières sans métaux) ou du déflecteur (pour les matières métalliques) sur l'orifice d'évacuation.**

- Pour mettre l'outil en marche, appuyer sur l'interrupteur marche/arrêt (1).
- Pour mettre l'outil hors tension, relâcher l'interrupteur marche/arrêt.  
Pour un fonctionnement en continu :
  - Appuyer sur l'interrupteur marche/arrêt (1).
  - Enfoncer le bouton de verrouillage (2).
  - Relâcher l'interrupteur marche/arrêt.
- Pour mettre l'outil hors tension en mode de fonctionnement continu, appuyer sur l'interrupteur marche/arrêt (1), puis le relâcher.

### DÉPOUSSIÉRAGE

⚠ **AVERTISSEMENT : afin d'éviter une fausse manœuvre, éteindre la ponceuse et la débrancher avant d'insérer le sac à poussière (8) ou le déflecteur (9).**

⚠ **AVERTISSEMENT : risque d'incendie. Les résidus de ponçage recueillis des couches de protection (polyuréthane, huile de lin, etc.) peuvent s'enflammer spontanément dans le sac de poussières de ponçage ou ailleurs et causer un incendie.** Pour réduire les risques, vider fréquemment le sac et suivre strictement le mode d'emploi de la ponceuse ainsi que les directives du fabricant de l'enduit.

⚠ **AVERTISSEMENT : risque d'incendie. Lors du ponçage de pièces de bois qui pourraient contenir des clous ou du ponçage de surfaces métalliques, ne pas utiliser le sac à poussière (8) ou un aspirateur, car des étincelles seraient alors produites. Installer alors le déflecteur (9) en dirigeant l'ouverture à l'opposé du corps. Porter des lunettes de sécurité et un masque anti-poussières.** En raison du risque d'incendie, ne pas utiliser la ponceuse pour poncer des surfaces de magnésium. Ne pas utiliser pour poncer une surface mouillée.

### VIDANGE DU SAC À POUSSIÈRE (FIG. E)

Il faut vider le sac à poussière à toutes les 10 minutes d'utilisation.

- Tirer le sac à poussière (8) vers l'arrière et le dégager de l'outil.
- Tenir le bec verseur vers le bas et secouer le sac à poussière pour en vider son contenu.
- Fixer de nouveau le sac à poussière sur l'outil.  
Au besoin, il est possible de retirer le sac à poussière de son cadre et de le laver. Le laisser sécher avant de le remonter.

### APPLICATIONS

#### Bras droit (fig. I)

- Utiliser le bras normal ou étroit pour des travaux généraux, le rainurage et la préparation de joints.

## CONSEILS POUR UNE UTILISATION OPTIMALE

- Toujours tenir l'outil à deux mains.
- Ne pas appliquer trop de pression sur l'outil.
- Vérifier régulièrement l'état de la bande abrasive. La remplacer au besoin.
- Toujours poncer dans le sens du grain de bois.
- Toujours démarrer la ponceuse avant de faire contact avec la pièce. Retirer la ponceuse de la pièce avant de la mettre hors tension.
- Dans la mesure du possible, fixer la pièce sur un établi ou une surface de travail robuste semblable.
- Pour le ponçage de nouvelles couches de peinture avant d'appliquer une autre couche, utiliser un grain extra fin.
- Sur des surfaces très inégales, ou pour enlever des couches de peinture, commencer avec un grain grossier. Sur d'autres surfaces, commencer par un grain moyen. Dans les deux cas, passer graduellement à un grain fin pour un fini lisse.
- Choisir une courroie dont le grain convient aux travaux à effectuer. La liste suivante suggère quels numéros de grains utiliser selon le matériau à poncer :

<b>MATÉRIAU</b>	<b>NO DE GRAIN</b>
Bois massif	80
Placage	150
Aggloméré	60 / 80
Plastique	100
Acier	80 (retirer le sac à poussière)
Décapage de peinture	40 / 60
Balsa	100
Acrylique	100

## Maintenance de l'outil

On ne doit jamais appliquer trop de force lorsqu'on utilise la ponceuse à courroie, car cela pourrait entraîner une surcharge et endommager le moteur ou la pièce. Si la ponceuse devient trop chaude, la faire fonctionner à vide pendant deux minutes. Toujours garder les événements de refroidissement dégagés. Nettoyer la ponceuse comme suit :

**⚠ AVERTISSEMENT : Afin d'éviter une fausse manoeuvre, arrêter et débrancher la ponceuse avant d'effectuer les opérations suivantes.** Le non-respect de cette consigne pourrait entraîner des risques de blessure.

- Dégager les événements et les conduits au moyen d'un pinceau sec et propre.
- Nettoyer l'extérieur au moyen d'un linge humide et propre (ne pas utiliser de solvant, d'essence ou de térébenthine).

**IMPORTANT :** Pour assurer la SÉCURITÉ et la FIABILITÉ de ce produit, toutes les opérations de réparation, d'entretien et de réglage doivent être effectuées dans un centre de service autorisé ou par du personnel qualifié; on ne doit utiliser que des pièces de rechange identiques.

## Accessoires

N'utiliser que des courroies de 13x 457 mm (1/2 x 18 po). Les accessoires recommandés pour cet outil sont vendus séparément chez les dépositaires locaux ou les centres de service autorisés. Pour obtenir plus d'information sur les accessoires, composer le **1-800-544-6986**.

**⚠ AVERTISSEMENT :** l'usage d'un accessoire non recommandé peut présenter un danger.

## Information sur les services

Black & Decker dispose d'un réseau complet composé de centres de service et de centres autorisés situés partout en Amérique du Nord. Tous les centres de service Black & Decker sont dotés de personnel qualifié en matière d'outillage électrique; ils sont donc en mesure d'offrir à leur clientèle un service efficace et fiable. Pour obtenir un conseil technique ou une pièce d'origine ou pour faire réparer un outil, on peut communiquer avec le centre Black & Decker le plus près. Pour obtenir le numéro de téléphone, consulter les pages jaunes sous la rubrique "Outils - électriques" ou composer le **1 800 544-6986**.

## Garantie complète de deux ans pour usage résidentiel

Black & Decker (U.S.) Inc. garantit ce produit pour une période de deux ans contre tout défaut de matériel ou de fabrication. Le produit défectueux sera remplacé ou réparé sans frais, suivant l'une des deux méthodes suivantes.

La première méthode consiste en un échange seulement. On doit retourner le produit au détaillant qui l'a vendu (pourvu qu'il s'agisse d'un détaillant participant), en respectant les délais stipulés dans sa politique relative aux échanges (normalement de 30 à 90 jours après la vente). Une preuve d'achat peut être requise. On doit vérifier la politique de retour du détaillant pour tout produit retourné après le délai prescrit pour les échanges.

La deuxième méthode consiste à apporter ou à envoyer le produit (prépayé) à un centre Black & Decker ou à un centre de service autorisé aux fins de réparation ou de remplacement, selon notre choix. Une preuve d'achat peut être requise. Les centres Black & Decker et les centres de service autorisés sont répertoriés dans les pages jaunes sous la rubrique «Outils - électriques».

Cette garantie ne s'applique pas aux accessoires. Elle confère des droits légaux particuliers à l'acheteur, mais celui-ci pourrait aussi bénéficier d'autres droits variant d'un territoire à l'autre.

Toute question doit être adressée au gérant du centre Black & Decker le plus près.

Ce produit n'est pas destiné à un usage commercial.

**REPLACEMENT GRATUIT DE L'ÉTIQUETTE D'AVERTISSEMENT** : En cas de perte ou d'endommagement des étiquettes d'avertissement, composer le **1-800-544-6986** pour en obtenir le remplacement gratuit.

## DÉPANNAGE

### Problème

- L'appareil refuse de démarrer.

### Cause possible

- Cordon d'alimentation non branché.
- Le fusible du circuit est grillé.

### Solution possible

- Brancher l'outil dans une prise qui fonctionne.
- Remplacer le fusible du circuit. (Si le produit fait griller de façon répétée le fusible du circuit, arrêter immédiatement d'utiliser le produit et le faire réparer dans un centre de réparation Black & Decker ou un centre de réparation autorisé.)
- Remettre le disjoncteur à zéro. (Si le produit fait déclencher de façon répétée le disjoncteur, arrêter immédiatement d'utiliser le produit et le faire réparer dans un centre de réparation Black & Decker ou un centre de réparation autorisé.)
- Faire remplacer le cordon ou l'interrupteur au centre de réparation Black & Decker ou à un centre de réparation autorisé.

- Le disjoncteur est déclenché.

- Le cordon d'alimentation ou la prise de courant est endommagé(e).

Pour obtenir de l'aide avec l'outil, consulter notre site Web **www.blackanddecker.com** pour l'emplacement du centre de réparation le plus près ou communiquer avec l'assistance **BLACK & DECKER** au **1-800-544-6986**.

Imported by / Importé par  
Black & Decker Canada Inc.  
100 Central Ave.  
Brockville (Ontario) K6V 5W6

Voir la rubrique "Outils électriques"  
des Pages Jaunes  
pour le service et les ventes.





# Lijadora de banda/lima eléctrica

## MANUAL DE INSTRUCCIONES

Catálogo N°

PF260



¡GRACIAS POR ELEGIR BLACK & DECKER!

VAYA A [WWW.BLACKANDDECKER.COM/NEWOWNER](http://WWW.BLACKANDDECKER.COM/NEWOWNER)  
PARA REGISTRAR SU NUEVO PRODUCTO.

**ANTES DE DEVOLVER ESTE PRODUCTO POR  
CUALQUIER MOTIVO, LLAME AL**

**(55)5326-7100**

ANTES DE LLAMAR, TENGA EL NÚMERO DE CATÁLOGO Y EL CÓDIGO DE FECHA PREPARADOS.  
EN LA MAYORÍA DE LOS CASOS, UN REPRESENTANTE DE BLACK & DECKER PUEDE RESOLVER EL  
PROBLEMA POR TELÉFONO. SI DESEA REALIZAR UNA SUGERENCIA O COMENTARIO, LLÁMENOS.

SU OPINIÓN ES FUNDAMENTAL PARA BLACK & DECKER.

**CONSERVE ESTE MANUAL PARA FUTURAS CONSULTAS.**

## PAUTAS DE SEGURIDAD/DEFINICIONES

Es importante que lea y comprenda este manual. La información que contiene se relaciona con la protección de SU SEGURIDAD y la PREVENCIÓN DE PROBLEMAS. Los símbolos que siguen se utilizan para ayudarlo a reconocer esta información.

**⚠ PELIGRO:** indica una situación de peligro inminente que, si no se evita, provocará la muerte o lesiones graves.

**⚠ ADVERTENCIA:** indica una situación de peligro potencial que, si no se evita, provocará la muerte o lesiones graves.

**⚠ PRECAUCIÓN:** indica una situación de peligro potencial que, si no se evita, provocará lesiones leves o moderadas.

**PRECAUCIÓN:** utilizado sin el símbolo de alerta de seguridad indica una situación de peligro potencial que, si no se evita, puede provocar daños en la propiedad.

### Advertencias generales de seguridad para herramientas eléctricas

**⚠ ADVERTENCIA:** Lea todas las advertencias de seguridad e instrucciones. El incumplimiento de las advertencias e instrucciones puede provocar descargas eléctricas, incendios o lesiones graves.

### Conserve todas las advertencias e instrucciones para futuras consultas.

El término "herramienta eléctrica" incluido en las advertencias hace referencia a las herramientas eléctricas operadas con corriente (con cable eléctrico) o a las herramientas eléctricas operadas con baterías (inalámbricas).

#### 1) Seguridad en el área de trabajo

- Mantenga el área de trabajo limpia y bien iluminada.** *Las áreas abarrotadas y oscuras propician accidentes.*
- No opere herramientas eléctricas en atmósferas explosivas, como ambientes donde se encuentran líquidos, gases o polvo inflamables.** *Las herramientas eléctricas originan chispas que pueden encender el polvo o los vapores.*
- Mantenga a los niños y espectadores alejados de la herramienta eléctrica en funcionamiento.** *Las distracciones pueden provocar la pérdida de control.*

#### 2) Seguridad eléctrica

- Los enchufes de la herramienta eléctrica deben adaptarse al tomacorriente.** **Nunca modifique el enchufe de ninguna manera. No utilice ningún enchufe adaptador con herramientas eléctricas con conexión a tierra.** *Los enchufes no modificados y que se adaptan a los tomacorrientes reducirán el riesgo de descarga eléctrica.*
- Evite el contacto corporal con superficies puestas a tierra, como por ejemplo tuberías, radiadores, rangos y refrigeradores.** *Existe mayor riesgo de descarga eléctrica si su cuerpo está puesto a tierra.*
- No exponga las herramientas eléctricas a la lluvia o a condiciones de humedad.** *Si ingresa agua a una herramienta eléctrica, aumentará el riesgo de descarga eléctrica.*
- No maltrate al cable.** **Nunca utilice el cable para transportar, tirar o desconectar la herramienta eléctrica.** **Mantenga el cable lejos del calor, aceite, bordes afilados o piezas móviles.** *Los cables dañados o enredados aumentan el riesgo de descarga eléctrica.*
- Al operar una herramienta eléctrica en el exterior, utilice un cable prolongador adecuado para tal uso.** *Utilice un cable adecuado para uso en exteriores a fin de reducir el riesgo de descarga eléctrica.*
- Si el uso de una herramienta eléctrica en un lugar húmedo es imposible de evitar, utilice un suministro protegido con un interruptor de circuito por falla a tierra (GFCI).** *El uso de un GFCI reduce el riesgo de descargas eléctricas.*

#### 3) Seguridad personal

- Permanezca alerta, controle lo que está haciendo y utilice el sentido común cuando emplee una herramienta eléctrica.** *No utilice una herramienta eléctrica si está cansado o bajo el efecto de drogas, alcohol o medicamentos. Un momento de descuido mientras se opera una herramienta eléctrica puede provocar lesiones personales graves.*
- Utilice equipos de protección personal.** **Siempre utilice protección para los**

*ojos. En las condiciones adecuadas, el uso de equipos de protección, como máscaras para polvo, calzado de seguridad antideslizante, cascos o protección auditiva, reducirá las lesiones personales.*

- c) **Evite el encendido por accidente. Asegúrese de que el interruptor esté en la posición de apagado antes de conectarlo a la fuente de energía o paquete de baterías, o antes de levantar o transportar la herramienta. Transportar herramientas eléctricas con el dedo apoyado en el interruptor o enchufar herramientas eléctricas con el interruptor en la posición de encendido puede propiciar accidentes.**
  - d) **Retire las clavijas de ajuste o llaves de tuercas antes de encender la herramienta eléctrica. Una llave de tuercas o una clavija de ajuste que se deje conectada a una pieza giratoria de la herramienta eléctrica pueden provocar lesiones personales.**
  - e) **No se estire. Conserve el equilibrio adecuado y manténgase parado correctamente en todo momento. Esto permite un mejor control de la herramienta eléctrica en situaciones inesperadas.**
  - f) **Use la vestimenta adecuada. No use ropas holgadas ni joyas. Mantenga el cabello, la ropa y los guantes alejados de las piezas en movimiento. Las ropas holgadas, las joyas o el cabello largo pueden quedar atrapados en las piezas en movimiento.**
  - g) **Si se suministran dispositivos para la conexión de accesorios con fines de recolección y extracción de polvo, asegúrese de que estén conectados y que se utilicen correctamente. El uso de dispositivos de recolección de polvo puede reducir los peligros relacionados con el polvo.**
- 4) Uso y mantenimiento de la herramienta eléctrica**
- a) **No fuerce la herramienta eléctrica. Utilice la herramienta eléctrica correcta para el trabajo que realizará. La herramienta eléctrica correcta hará el trabajo mejor y más seguro a la velocidad para la que fue diseñada.**
  - b) **No utilice la herramienta eléctrica si no puede encenderla o apagarla con el interruptor. Toda herramienta eléctrica que no puede ser controlada mediante el interruptor es peligrosa y debe ser reparada.**
  - c) **Desconecte el enchufe de la fuente de energía y/o el paquete de baterías de la herramienta eléctrica antes de realizar ajustes, cambiar accesorios o almacenar herramientas eléctricas. Estas medidas de seguridad preventivas reducen el riesgo de encender la herramienta eléctrica en forma accidental.**
  - d) **Guarde las herramientas eléctricas que no están en uso fuera del alcance de los niños y no permite que otras personas no familiarizadas con ella o con estas instrucciones operen la herramienta. Las herramientas eléctricas son peligrosas en las manos de usuarios no entrenados.**
  - e) **Mantenimiento de las herramientas eléctricas. Controle que no haya piezas móviles mal alineadas o trabadas, piezas rotas y toda otra situación que pueda afectar el funcionamiento de las herramientas eléctricas. Si encuentra daños, haga reparar la herramienta eléctrica antes de utilizarla. Se producen muchos accidentes a causa de las herramientas eléctricas que carecen de un mantenimiento adecuado.**
  - f) **Mantenga las herramientas de corte afiladas y limpias. Las herramientas de corte con mantenimiento adecuado, con los bordes de corte afilados son menos propensas a trabarse y son más fáciles de controlar.**
  - g) **Utilice la herramienta eléctrica, los accesorios y las brocas de la herramienta, etc. de acuerdo con estas instrucciones y teniendo en cuenta las condiciones de trabajo y el trabajo que debe realizarse. El uso de la herramienta eléctrica para operaciones diferentes de aquéllas para las que fue diseñada podría originar una situación peligrosa.**
- 5) Mantenimiento**
- a) **Haga que una persona de reparaciones calificada realice el mantenimiento de su herramienta eléctrica y utilice piezas de repuesto idénticas solamente. Esto garantizará la seguridad de la herramienta eléctrica.**

## **Normas de seguridad específicas**

- **Cuando realice una operación donde la herramienta de corte pueda tocar cables eléctricos ocultos o su propio cable, sostenga la herramienta por las superficies de agarre aisladas. El contacto con un cable con “corriente eléctrica” hará que las**

partes metálicas expuestas de la herramienta tengan “corriente eléctrica” y el operador sufra una descarga eléctrica.

- **Sostenga siempre la herramienta firmemente con ambas manos y opérela sólo manualmente.**
- **Utilice abrazaderas u otra forma práctica para asegurar y sostener la pieza de trabajo sobre una plataforma estable.** *Sostener el trabajo con la mano o contra el cuerpo no brinda la estabilidad requerida y puede llevar a la pérdida del control.*

**⚠ AVERTISSEMENT : USE SIEMPRE LENTES DE SEGURIDAD.** Los anteojos de uso diario NO son lentes de seguridad. Utilice también máscaras faciales o para polvo si el corte produce polvillo. UTILICE SIEMPRE EQUIPOS DE SEGURIDAD CERTIFICADOS:

- *Protección para los ojos según la norma ANSI Z87.1 (CAN/CSA Z94.3)*
- *Protección auditiva según la norma ANSI S12.6 (S3.19)*
- *Protección respiratoria según las normas NIOSH/OSHA/MSHA*

**⚠ ADVERTENCIA:** Algunas partículas originadas al lijar, aserrar, amolar, taladrar y realizar otras actividades de construcción contienen productos químicos que producen cáncer, defectos de nacimiento y otros problemas reproductivos. Algunos ejemplos de estos productos químicos son:

- el plomo de las pinturas de base plomo,
- la sílice cristalina de ladrillos, cemento y otros productos de mampostería,
- el arsénico y el cromo de la madera con tratamiento químico (CCA).

El riesgo derivado de estas exposiciones varía según la frecuencia con la que se realice este tipo de trabajo. Para reducir la exposición a estos productos químicos: se recomienda trabajar en áreas bien ventiladas y usar equipos de seguridad aprobados, como las máscaras para polvo especialmente diseñadas para filtrar las partículas microscópicas.

- **Evite el contacto prolongado con el polvo de lijado, serruchado, granulado, perforado y otras actividades de construcción. Utilice vestimenta de protección y lave las zonas expuestas con jabón y agua.** Si permite que el polvo entre en su boca, ojos o entre en contacto con su piel esto puede causar la absorción de productos químicos dañinos.

**⚠ ADVERTENCIA:** El uso de esta herramienta puede generar o dispersar partículas de polvo, que pueden causar lesiones respiratorias permanentes y graves u otras lesiones. Use siempre protección respiratoria aprobada por NIOSH/OSHA (Instituto Nacional de Salud y Seguridad Ocupacional de EE.UU./Administración de la Salud y Seguridad Ocupacional de EE.UU.) apropiada para la exposición al polvo. Aleje las partículas de la cara y el cuerpo.

**⚠ PRECAUCIÓN:** Utilice una protección auditiva apropiada durante el uso. En determinadas condiciones y con utilizaciones prolongadas, el ruido generado por este producto puede favorecer la pérdida de audición.

La etiqueta de su herramienta puede incluir los siguientes símbolos.

- |               |   |                      |                     |
|---------------|---|----------------------|---------------------|
| V .....       | volts                                     | A .....              | ampères             |
| Hz .....      | hertz                                     | W .....              | watts               |
| min .....     | minutos                                   | ~ .....              | corriente alterna   |
| == .....      | corriente directa                         | n <sub>0</sub> ..... | velocidad sin carga |
| ☐ .....       | construcción clase II                     |                      |                     |
| ⊕ .....       | terminal con conexión a tierra            |                      |                     |
| ⚠ .....       | símbolo de alerta seguridad               |                      |                     |
| .../min ..... | revoluciones o reciprocaciones por minuto |                      |                     |

## Motor

Asegúrese de que su alimentación eléctrica sea la requerida en la placa nominal. 120 voltios de corriente alterna sólo significa que su herramienta operará con la potencia doméstica estándar de 60 Hz. No opere herramientas de corriente alterna en corriente directa. Una especificación de 120 voltios AC/DC significa que su herramienta operará

en 60 Hz estándar de potencia en corriente alterna o corriente directa. Esta información está impresa en la placa nominal. Un voltaje menor causará pérdida de potencia y puede resultar en sobrecalentamiento. Todas las herramientas Black & Decker han sido probadas en la fábrica; si esta herramienta no funciona, revise la alimentación eléctrica.

## Uso de cables de extensión

Asegúrese que el cable de extensión esté en buenas condiciones antes de usarlo. Utilice siempre extensiones con el calibre adecuado con su herramienta – esto es, el calibre apropiado para diferentes longitudes del cable, con la capacidad suficiente para soportar la corriente que su herramienta necesita. El uso de un cable con calibre insuficiente causará una caída en el voltaje de la línea resultando en pérdida de potencia y sobrecalentamiento. Consulte la tabla que sigue para conocer los calibre del cable.

Calibre mínimo para cables de extensión					
Volts	Longitud total del cable en pies				
120V	0-25	26-50	51-100	101-150	
	(0-7,6m)	(7,6-15,2m)	(15,2-30,4m)	(30,4-45,7m)	
240V	0-50	51-100	101-200	201-300	
	(0-15,2m)	(15,2-30,4m)	(30,4-60,9m)	(60,9-91,4m)	
Amperaje					
Más de		No más de		American Wire Gage	
0	- 6	18	16	16	14
6	- 10	18	16	14	12
10	- 12	16	16	14	12
12	- 16	14	12	No se recomienda	

## CONSERVE ESTAS INSTRUCCIONES

### DESCRIPCIÓN DE LAS FUNCIONES

1. Interruptor de encendido/apagado
2. Botón de bloqueo
3. Motor/mango secundario
4. Brazo de lijado
5. Palanca tensora de la banda
6. Perilla de control de la banda
7. Perilla de control de la velocidad variable
8. Bolsa colectora
9. Deflector

### ⚠ Instrucciones y advertencias de seguridad: Lijadoras

- **UTILICE SIEMPRE PROTECCIÓN RESPIRATORIA Y VISUAL ADECUADA.**
- Limpie su herramienta periódicamente.
- Antes de utilizar la herramienta sobre piezas metálicas o que contienen metal, asegúrese de quitar la bolsa colectora.
- Cuando trabaje con piezas metálicas, use guantes.

### ⚠ Otras instrucciones y advertencias de seguridad importantes

#### Lijado

#### Pinturas con base de plomo

El lijado de pinturas con base de plomo **NO SE RECOMIENDA** debido a la dificultad de control del polvo contaminado. El envenenamiento por plomo es más peligroso para niños y mujeres embarazadas.

Ya que es difícil identificar si una pintura contiene plomo o no, sin antes hacer un análisis químico, le recomendamos que se tomen las siguientes precauciones cuando lije cualquier pintura:



## Seguridad personal

- No permita que entren al área de trabajo niños ni mujeres embarazadas cuando lije pintura hasta que haya terminado de asear el lugar.
- Se recomienda el uso de máscaras o respiradores para todas las personas que entren al área de trabajo. El filtro se debe reemplazar diariamente o cuando el usuario tenga dificultad para respirar.
- **NOTA:** Sólo deben utilizarse mascarar adecuadas para trabajo con polvo y vapores de pintura. Las mascarar ordinarias para pintura no ofrecen esta protección. Vea a su distribuidor de herramienta local para conseguir la máscara adecuada.
- **NO COMA, BEBA O FUME** en la zona de trabajo para evitar ingerir partículas de pintura contaminadas. Los usuarios deberán lavarse y limpiarse ANTES de comer, beber o fumar. No deben dejarse artículos para comer beber o fumar en el área de trabajo donde el polvo se asentaría en ellos.

## Seguridad ambiental

- La pintura debe removerse de tal manera que se minimice la cantidad generada de polvo.
- Se deben sellar las áreas en que se remueve pintura con láminas de plástico de 4 mils. de espesor.
- El lijado debe hacerse en tal forma que se reduzca el desalojo de pintura fuera de la zona de trabajo.

## Limpieza y desecho

- Todas las superficies en el área de trabajo deben ser aspiradas y limpiadas a conciencia diariamente el tiempo que dure el proyecto de lijado. Las bolsas filtro de las aspiradoras deben cambiarse frecuentemente.
- Las láminas de plástico deben recogerse y desecharse con cualquier resto de pintura. Deben depositarse en receptáculos sellados y deben desecharse a través de los procedimientos de recolección de basura normales. Durante la limpieza, niños y mujeres embarazadas deben permanecer alejados de la zona de trabajo inmediata.
- Todo tipo de juguetes, mobiliario lavable y utensilios usados por niños deben lavarse a conciencia antes de volver a utilizarse.

## AJUSTES

**⚠ ADVERTENCIA:** Para evitar el funcionamiento accidental, apague y desenchufe la herramienta antes de realizar las siguientes operaciones. El incumplimiento de esta indicación puede provocar lesiones personales graves.

### COLOCACIÓN Y EXTRACCIÓN DE LOS BRAZOS DE LIJADO (FIG. B)

#### Colocación

- Afloje y quite la perilla de control de la banda (6).
- Verifique que el resorte (10) esté en el orificio de montaje correspondiente.
- Coloque el brazo (4) como se muestra.
- Enrosque la perilla de control de la banda (6) y ajústela hasta que el brazo esté alineado con la herramienta.

#### Extracción

- Quite la banda de lijado (si está colocada) como se describe a continuación.
- Afloje y quite la perilla de control de la banda (6).
- Quite el brazo.

### COLOCACIÓN Y EXTRACCIÓN DE LAS BANDAS DE LIJADO (FIG. C)

#### Colocación

- Mueva la palanca tensora de la banda (5) a la posición delantera (A).
- Asegúrese de que las flechas en el interior de la banda de lijado estén en la misma dirección que las flechas (13) en la cubierta de la herramienta.
- Coloque la banda de lijado (11) sobre la polea delantera (12) y la polea posterior (14), deslizándola a través de la ranura de la cubierta.
- Mueva la palanca tensora de la banda (5) a la posición trasera (B).
- Ajuste el control de la banda como se describe a continuación.

#### Extracción

- Mueva la palanca tensora de la banda (5) a la posición delantera (A).
- Deslice la banda de lijado (11) fuera de las poleas.

## AJUSTE DEL CONTROL DE LA BANDA DE LIJADO (FIG. D)

- Para encender la herramienta, presione el interruptor de encendido/apagado (1).
- Gire la perilla de control de la banda (6) según corresponda, hasta que la banda de lijado quede recta a lo largo del brazo.

## COLOCACIÓN Y EXTRACCIÓN DE LA BOLSA DE LIJADO O EL DEFLECTOR (FIG. E)

### Colocación

- Alinee la bolsa colectoras (8) o el deflector (9) con la herramienta, como se muestra.
- Deslice la bolsa colectoras o el deflector en la herramienta y asegúrese de que esté colocado con firmeza.

### Extracción

- Empuje la bolsa colectoras o el deflector hacia la parte posterior y fuera de la herramienta.

**⚠ ADVERTENCIA: Riesgo de incendio.** Antes de utilizar la herramienta sobre piezas de madera, coloque la bolsa colectoras. Antes de utilizar la herramienta sobre piezas de trabajo que contengan metal, quite la bolsa colectoras y coloque el deflector.

## OPERACIÓN

**⚠ ADVERTENCIA:** Use **SIEMPRE** lentes de seguridad. Los anteojos de uso diario **NO** son lentes de seguridad.

**⚠ ADVERTENCIA: Peligro de abrasión severa.** Siempre sostenga la herramienta con firmeza, con una mano en el mango del interruptor y la otra en el mango secundario (3), como se muestra en la figura F. Nunca opere la lijadora Powerfile en una posición fija invertida.

- Permita que la herramienta trabaje a su propio ritmo.
- No la sobrecargue.

## CONTROL DE VELOCIDAD VARIABLE (FIG. G)

El control de velocidad variable le permite adaptar la velocidad de la herramienta al material de la pieza de trabajo.

- Use una configuración de velocidad baja cuando utilice un grano fino, cuando trabaje con plástico o cerámicos o cuando quite superficies pintadas o barnizadas. Use una configuración de velocidad alta cuando utilice un grano grueso y cuando quite capas gruesas de material.
- Coloque la perilla de control (7) en la configuración deseada.

## ENCENDIDO Y APAGADO (FIG. H)

**⚠ ADVERTENCIA:** Antes de enchufar la herramienta, verifique siempre que el disparador del interruptor se accione correctamente y regrese a la posición de apagado cuando se lo suelta y que la bolsa colectoras (para los materiales no metálicos) o el deflector (para los materiales metálicos) esté colocado en el orificio de escape.

- Para encender la herramienta, presione el interruptor de encendido/apagado (1).
- Para apagar la herramienta, suelte el interruptor de encendido/apagado.

Para un funcionamiento continuo:

- Presione el interruptor de encendido/apagado (1).
  - Presione el botón de bloqueo (2).
  - Suelte el interruptor de encendido/apagado.
- Para apagar la herramienta cuando está funcionando en forma continua, presione y suelte el interruptor de encendido/apagado (1).

## RECOLECCIÓN DE POLVO

**⚠ ADVERTENCIA:** Para evitar el funcionamiento accidental, apague y desenchufe la lijadora antes de instalar la bolsa colectoras (8) o el deflector (9).

**⚠ ADVERTENCIA: Riesgo de incendio.** El polvo acumulado que se produce al lijar los revestimientos de las superficies (poliuretano, aceite de lino, etc.) puede iniciar una combustión espontánea dentro de la bolsa colectoras de la lijadora o en algún otro lugar y ocasionar un incendio. Para reducir este riesgo, vacíe la bolsa regularmente y siga estrictamente las instrucciones del manual de la lijadora y del fabricante del revestimiento.

**⚠ ADVERTENCIA: Riesgo de incendio. No utilice la bolsa colectora (8) ni una aspiradora al lijar superficies metálicas o de madera que puedan contener clavos, ya que se pueden generar chispas. En cambio, utilice el deflector (9) con el área abierta en dirección opuesta a su cuerpo. Utilice gafas de seguridad y una máscara para polvo.** Debido al riesgo de incendio, no utilice la lijadora para lijar superficies de magnesio. No utilice la herramienta para lijar superficies húmedas.

### VACIADO DE LA BOLSA COLECTORA (FIG. E)

La bolsa colectora debe vaciarse cada 10 minutos de uso.

- Empuje la bolsa colectora (8) hacia la parte posterior y fuera de la herramienta.
- Sostenga el tubo de descarga hacia abajo y sacuda la bolsa colectora para vaciar el contenido.
- Vuelva a colocar la bolsa colectora en la herramienta.

De ser necesario, puede quitar la bolsa colectora de la estructura para lavarla. Deje que se seque antes de volver a colocarla.

### USOS

#### Brazo recto (fig. I)

- Utilice el brazo normal o angosto para las aplicaciones de uso general y para hacer ranuras y uniones.

### CONSEJOS PARA UN USO ÓPTIMO

- Siempre sostenga la herramienta con ambas manos.
- No ejerza demasiada presión sobre la herramienta.
- Revise el estado de la banda de lijado periódicamente. Reemplácelo cuando sea necesario.
- Siempre lije con la veta de la madera.
- Siempre encienda la lijadora antes de ponerla en contacto con la superficie de trabajo y no la apague hasta haberla levantado de ésta.
- Cuando sea posible, sujete la pieza de trabajo a un banco de trabajo u otra superficie firme similar.
- Cuando lije capas nuevas de pintura antes de aplicar otra capa, utilice grano extra fino.
- En muy superficies irregulares, o cuando la eliminación de capas de pintura, comenzar con un grano grueso. En otras superficies, comience con un grano mediano. En ambos casos, cambie gradualmente a un grano fino para un acabado liso.
- Use una banda con el grano apropiado a la aplicación. Los siguientes son los granos de banda sugeridos para los diferentes materiales.

#### **MATERIAL**

#### **GRANO DE BANDA**

Madera sólida	80
Enchapado	150
Madera prensada	60/80
Plásticos	100
Acero	80 (sin saco de polvo)
Para quitar pintura	40/60
Madera de balsa	100
Acrílico	100

### Cuidado y mantenimiento de la herramienta

Nunca aplique demasiada fuerza cuando use su lijadora de banda. Demasiada fuerza puede sobrecargar y dañar el motor o la pieza de trabajo. Si su lijadora de banda se calienta demasiado, hágala operar sin carga por dos minutos. Mantenga siempre despejados los orificios de ventilación. Para limpiar su lijadora de banda, haga lo siguiente:

**⚠ ADVERTENCIA: Apague y desenchufe la lijadora antes de realizar las siguientes operaciones, para evitar que arranque accidentalmente.** El incumplimiento con la anterior podría causar lesiones corporales graves.

- Use una brocha para pintar seca y limpia para limpiar los ductos y orificios de ventilación.
- Limpie las cajas protectoras con un paño limpio y húmedo (no use solventes, gasolina ni trementina.)

**IMPORTANTE:** Para garantizar la SEGURIDAD y la FIABILIDAD del producto, toda reparación, todo mantenimiento y ajuste, deberán ser realizados por centros autorizados de servicio u otro personal de servicio calificado, utilizando siempre para ello repuestos originales.

## Accesorios

Use sólo correas lijadoras de 13 x 457mm (1/2" x 18"). Los accesorios que se recomiendan usar con su herramienta, se pueden obtener a un costo extra donde su proveedor o centro autorizado de servicio. Si usted necesita ayuda para localizar algún accesorio para su herramienta, favor llamar al **(55)5326-7100**.

**⚠ ATENCIÓN:** El usar esta herramienta con cualquier otro accesorio no recomendado, puede ser peligroso.

## INFORMACIÓN DE SERVICIO

Black & Decker ofrece una red completa de centros de servicio y centros autorizados en toda Norteamérica. Todos los centros de servicio Black & Decker disponen de personal entrenado para dar un servicio eficiente y confiable a las herramientas eléctricas de sus clientes. De necesitar orientación técnica, reparación o repuestos originales de fábrica, diríjase al centro Black & Decker local. Para hallar la ubicación del centro de servicio más cercano, busque en las páginas amarillas de la guía telefónica bajo "Herramientas—Eléctricas" o llame a: **(55)5326-7100**.

## GARANTÍA COMPLETA DE DOS AÑOS PARA USO EN EL HOGAR

Black & Decker (Estados Unidos) Inc. ofrece una garantía de dos años por cualquier defecto del material o de fabricación de este producto. El producto defectuoso se reparará o reemplazará sin costo alguno de dos maneras.

La primera opción, el reemplazo, es devolver el producto al comercio donde se lo adquirió (siempre y cuando se trate de un comercio participante). Las devoluciones deben realizarse conforme a la política de devolución del comercio (generalmente, entre 30 y 90 días posteriores a la venta). Le pueden solicitar comprobante de compra. Consulte en el comercio acerca de la política especial sobre devoluciones una vez excedido el plazo establecido.

La segunda opción es llevar o enviar el producto (con flete pago) a un Centro de mantenimiento propio o autorizado de Black & Decker para su reparación o reemplazo según nuestro criterio. Le pueden solicitar el comprobante de compra. Los Centros de mantenimiento autorizados y de propiedad de Black & Decker se detallan en la sección "Herramientas eléctricas" (Tools-Electric) de las páginas amarillas de la guía telefónica. Esta garantía no se extiende a los accesorios. Esta garantía le concede derechos legales específicos; usted puede tener otros derechos que pueden variar según el estado o la provincia. Si tiene alguna pregunta, comuníquese con el gerente del Centro de mantenimiento de Black & Decker de su zona. Este producto no está diseñado para uso comercial.

**REEMPLAZO GRATUITO DE LAS ETIQUETAS DE ADVERTENCIAS:** si sus etiquetas de advertencia se tornan ilegibles o faltan, llame al **(55)5326-7100** para que se le reemplacen gratuitamente.

## DETECCIÓN DE PROBLEMAS

<b>Problema</b>	<b>Causa posible</b>	<b>Solución posible</b>
• La unidad no enciende.	<ul style="list-style-type: none"><li>• Cable desenchufado.</li><li>• Fusible quemado.</li></ul>	<ul style="list-style-type: none"><li>• Enchufe el cargador en un tomacorriente que funcione.</li><li>• Reemplace el fusible quemado. (Si repetidamente el producto hace que el fusible del circuito se quemé, deje de utilizarlo inmediatamente y haga que le realicen mantenimiento en un centro de mantenimiento Black &amp; Decker o en un centro de servicio autorizado.)</li></ul>
	<ul style="list-style-type: none"><li>• El interruptor automático está activado.</li></ul>	<ul style="list-style-type: none"><li>• Reinicie el interruptor automático. (Si repetidamente el producto hace que el fusible del circuito se quemé, deje de utilizarlo inmediatamente y haga que le realicen mantenimiento en un centro de mantenimiento Black &amp; Decker o en un centro de servicio autorizado.)</li></ul>
	<ul style="list-style-type: none"><li>• Interruptor o cable dañado.</li></ul>	<ul style="list-style-type: none"><li>• Haga reparar el cable o el interruptor en un centro de mantenimiento Black &amp; Decker o en un centro de mantenimiento autorizado.</li></ul>

Para conocer la ubicación del centro de mantenimiento más cercano a fin de recibir ayuda con su producto, visite nuestro sitio Web [www.blackanddecker.com](http://www.blackanddecker.com) o llame a la línea de ayuda BLACK & DECKER al **55-5326-7100**



**Para reparación y servicio de sus herramientas eléctricas, favor de dirigirse al Centro de Servicio más cercano:**

**CULIACAN, SIN**

Av. Nicolás Bravo #1063 Sur  
(667) 7 12 42 11  
Col. Industrial Bravo

**GUADALAJARA, JAL**

Av. La Paz #1779  
(33) 3825 6978  
Col. Americana Sector Juarez

**MEXICO, D.F.**

Eje Central Lázaro Cardenas  
No. 18  
(55) 5588 9377  
Local D, Col. Obrera

**MERIDA, YUC**

Calle 63 #459-A  
(999) 928 5038  
Col. Centro

**MONTERREY, N.L.**

Av. Francisco I. Madero  
No.831  
(81) 8375 2313  
Col. Centro

**PUEBLA, PUE**

17 Norte #205  
(222) 246 3714  
Col. Centro

**QUERETARO, QRO**

Av. Madero 139 Pte.  
(442) 214 1660  
Col. Centro

**SAN LUIS POTOSI, SLP**

Av. Universidad 1525  
(444) 814 2383  
Col. San Luis

**TORREON, COAH**

Bldv. Independencia, 96 Pte.  
(871) 716 5265  
Col. Centro

**VERACRUZ, VER**

Prolongación Díaz Mirón #4280  
(229)921 7016  
Col. Remes

**VILLAHERMOSA, TAB**

Constitución 516-A  
(993) 312 5111  
Col. Centro

**PARA OTRAS LOCALIDADES LLAME AL: (55) 5326 7100**

**Epecificaciones**

Tensión de alimentación:	120V
Potencia nominal:	290W
Consumo de corriente:	2,6A
Frecuencia de operación:	60Hz

**Vea "Herramientas  
eléctricas (Tools-Electric)"  
– Páginas amarillas –  
para Servicio y ventas**



**BLACK & DECKER S.A. DE C.V.  
BOSQUES DE CIDROS ACCESO RADIATAS NO. 42  
COL. BOSQUES DE LAS LOMAS.  
05120 MÉXICO, D.F  
TEL. 55-5326-7100**





## Free Manuals Download Website

<http://myh66.com>

<http://usermanuals.us>

<http://www.somanuals.com>

<http://www.4manuals.cc>

<http://www.manual-lib.com>

<http://www.404manual.com>

<http://www.luxmanual.com>

<http://aubethermostatmanual.com>

Golf course search by state

<http://golfingnear.com>

Email search by domain

<http://emailbydomain.com>

Auto manuals search

<http://auto.somanuals.com>

TV manuals search

<http://tv.somanuals.com>