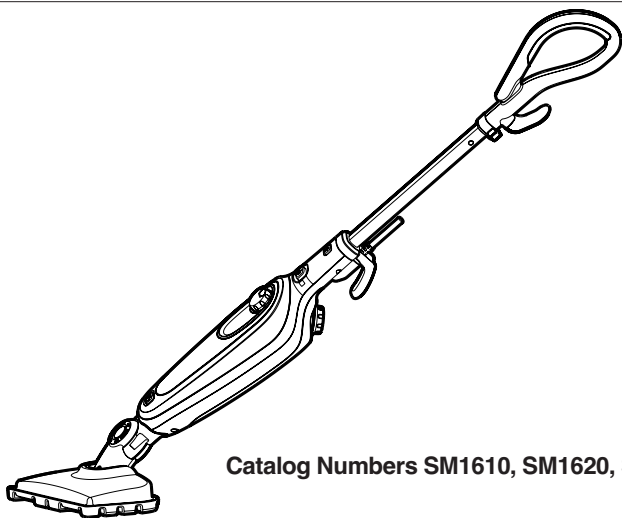




# INSTRUCTION MANUAL

## STEAM MOP



Catalog Numbers SM1610, SM1620, SM1630

**Thank you for choosing Black & Decker! Go to [www.BlackandDecker.com/NewOwner](http://www.BlackandDecker.com/NewOwner) to register your new product.**

### **PLEASE READ BEFORE RETURNING THIS PRODUCT FOR ANY REASON:**

If you have a question or experience a problem with your Black & Decker purchase, go to

**[WWW.BLACKANDDECKER.COM/INSTANTANSWERS](http://WWW.BLACKANDDECKER.COM/INSTANTANSWERS)**  
for instant answers 24 hours a day.

If you can't find the answer or do not have access to the internet, call 1-800-544-6986 from 8 a.m. to 5 p.m. EST Mon. - Fri to speak with an agent.

Please have the catalog number available when you call.

**SAVE THIS MANUAL FOR FUTURE REFERENCE.**

**VEA EL ESPAÑOL EN LA CONTRAPORTADA.**

**POUR LE FRANÇAIS, VOIR LA COUVERTURE ARRIÈRE.**

INSTRUCTIVO DE OPERACIÓN, CENTROS DE SERVICIO Y  
PÓLIZA DE GARANTÍA. ADVERTENCIA: LÉASE ESTE  
INSTRUCTIVO ANTES DE USAR EL PRODUCTO.

## INTENDED USE

Your Black & Decker steam mop has been designed for sanitizing and cleaning sealed hardwood, sealed laminate, linoleum, vinyl, ceramic tile, stone and marble floors. For floor use only; do not use the unit upside down. This appliance is intended for indoor household use only.

### Safety instructions

**⚠ WARNING:** Read all safety warnings and all instructions. Failure to follow the warnings and instructions listed below may result in electric shock, fire and/or serious injury.

**⚠ WARNING:** When using electrical appliances, basic safety precautions, including the following, should always be followed to reduce the risk of fire, electric shock, personal injury and material damage.

### SAFETY WARNINGS AND INSTRUCTIONS: POLARIZED PLUGS

To reduce the risk of electric shock, this equipment has a polarized plug (one blade is wider than the other). This equipment must be used with a suitable polarized 2 wire or 3 wire extension cord. Polarized connections will fit together only one way. Make sure that the receptacle end of the extension cord has large and small blade slot widths. If the plug does not fit fully into the extension cord, reverse the plug. If it still does not fit, obtain a suitable extension cord. If the extension cord does not fit fully into the outlet, contact a qualified electrician to install the proper outlet. Do not change the tool plug or extension cord in any way.

Volts	Minimum Gauge for Cord Sets			
	Total Length of Cord in Feet			
120V	0-25	26-50	51-100	101-150
	(0-7,6m)	(7,6-15,2m)	(15,2-30,4m)	(30,4-45,7m)
240V	0-50	51-100	101-200	201-300
	(0-15,2m)	(15,2-30,4m)	(30,4-60,9m)	(60,9-91,4m)
Ampere Rating		American Wire Gauge		
More Than	Not more Than			
0	6	18	16	14
6	10	18	16	12
10	12	16	14	12
12	16	14	12	Not Recommended

- Read all of this manual carefully before using the appliance.
- The intended use is described in this manual. The use of any accessory or attachment or the performance of any operation with this appliance other than those recommended in this instruction manual may present a risk of personal injury.
- Retain this manual for future reference.

### Using your appliance

- Do not direct steam at people, animals, electrical appliances or electrical outlets.
- Do not expose to rain.
- Do not immerse the appliance in water.
- Do not leave the appliance unattended. Keep children away from unit while in use.
- Do not leave the appliance connected to an electrical outlet when not in use.
- Never pull the power cord to disconnect the appliance from the socket. Keep the appliance cord away from heat, oil and sharp edges.
- Do not handle steam cleaner with wet hands.
- Do not pull or carry by cord, use cord as a handle, close door on cord, pull cord around sharp corners or expose cord to heated surfaces.
- Do not use appliance in an enclosed space filled with vapor given off by oil-base paint thinner, some moth-proofing substances, flammable dust, or other explosive or toxic vapors.
- Do not use on leather, wax polished furniture or floors, synthetic fabrics, velvet or other delicate, steam-sensitive materials.
- Do not use on any unsealed hard floor surfaces. Additionally, on surfaces that have been treated with wax or some no-wax floors, the sheen may be removed by the heat and steam action. It is always recommended to test an isolated area of the surface to be cleaned before proceeding. We also recommend that you check the use and care instructions from the floor manufacturer.

- Never put de-scaling, aromatic, alcoholic or detergent products into the steam mop, as this may damage it or make it unsafe for use.
- If the circuit breaker activates while using the steam function, discontinue product use immediately and contact the customer support center. (Beware of the risk of electrical shock.)
- The appliance emits very hot steam to sanitize the area of use. This means that the steam head and cleaning pads get very hot during use.

**⚠ CAUTION:** Always wear suitable shoes when using your steam mop and when changing the accessories on your steam mop. Do not wear slippers or open-toed footwear.

- The lid may become hot during use.
- Steam may escape from the appliance during use.
- Care should be taken when using this appliance. DO NOT touch any parts which may become hot during use.
- Switch the appliance off and return the handle to the upright position before removing the cap from the water tank.

### After use

- Unplug the appliance and allow to cool down on resting mat before cleaning.
- When not in use, the appliance should be stored in a dry place.
- Children should not have access to stored appliances.

### Inspection and repairs

- Unplug the appliance and allow to cool down on resting mat before performing any maintenance or repairs.
- Before use, check the appliance for damaged or defective parts. Check for breakage of parts, damage to switches and any other conditions that may affect its operation.
- Regularly check the power cord for damage.
- Do not use the appliance if any part is damaged or defective.
- Have any damaged or defective parts repaired or replaced by an authorized repair agent.
- Never attempt to remove or replace any parts other than those specified in this manual.

### Safety of others

- This appliance is not intended for use by persons (including children) with reduced physical, sensory or mental capabilities, or lack of experience and knowledge, unless they have been given supervision or instruction concerning the use of the appliance by a person responsible for their safety.
- Children should be supervised to ensure that they do not play with the appliance.

### SAFETY GUIDELINES - DEFINITIONS

It is important for you to read and understand this manual. The information it contains relates to protecting YOUR SAFETY and PREVENTING PROBLEMS. The symbols below are used to help you recognize this information.

**⚠ DANGER:** Indicates an imminently hazardous situation which, if not avoided, will result in death or serious injury.

**⚠ WARNING:** Indicates a potentially hazardous situation which, if not avoided, could result in death or serious injury.

**⚠ CAUTION:** Indicates a potentially hazardous situation which, if not avoided, may result in minor or moderate injury.

**NOTICE:** Used without the safety alert symbol indicates a potentially hazardous situation which, if not avoided, may result in property damage.

### Residual risks

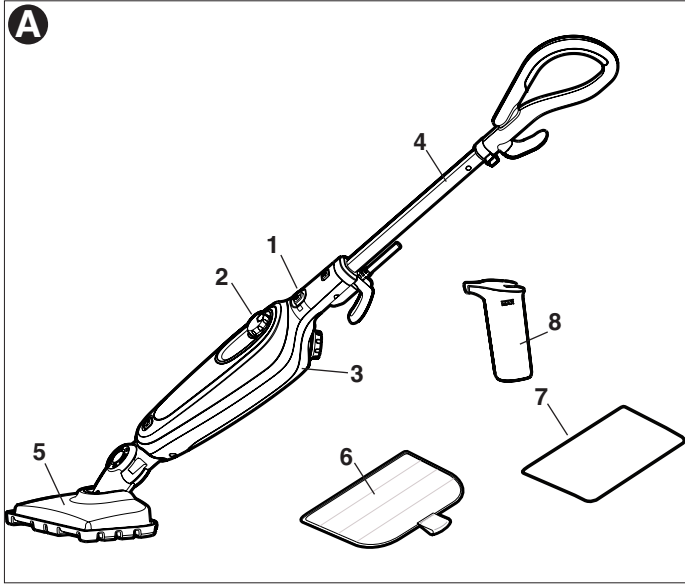
Additional residual risks may arise when using the tool which may not be included in the enclosed safety warnings. These risks can arise from misuse, prolonged use, etc.

Even with the application of the relevant safety regulations and the implementation of safety devices, certain residual risks can not be avoided. These include:

- Injuries caused by touching any moving parts.
- Injuries caused by touching any hot parts.
- Injuries caused when changing any parts or accessories.
- Injuries caused by prolonged use of the appliance. When using any appliance for prolonged periods ensure you take regular breaks.

## FUNCTIONAL DESCRIPTION

1. ON/OFF switch
2. SmartSelect™
3. Water tank
4. Handle tube
5. Steam head
6. Micro-fiber cleaning pad
7. Resting mat
8. Water cup



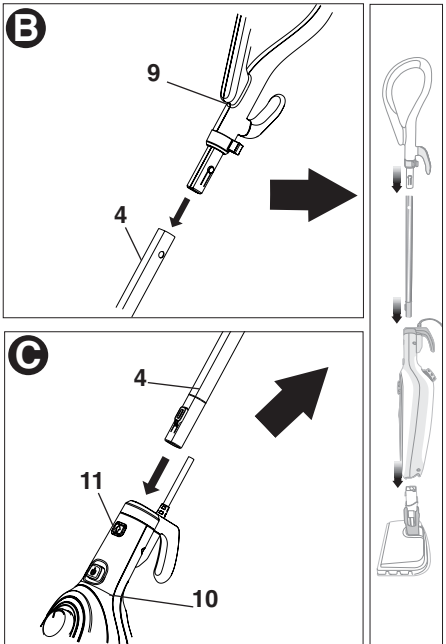
## ASSEMBLY

**NOTE:** Each steam mop is 100% tested in the factory to ensure product performance and safety. When assembling your new steam mop for the first time you may notice water residue inside of the unit.

**⚠ WARNING:** Before attempting any of the following operations, make sure that the appliance is switched off and unplugged and that the appliance is cold and contains minimal or no water.

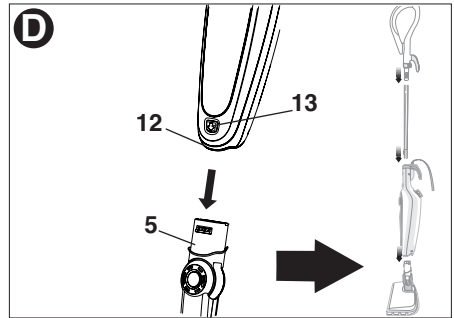
### Attaching the handle - Fig. B & C

- Slide the hand grip (9) into the top end of the handle tube (4) until it clicks into place.
- Slide the bottom end of the handle tube (4) into the top end of the steam mop body (10) until it clicks into place.
- The handle can be removed from the steam mop body for easy storage by pressing the release button (11) and pulling the handle tube (4) out of the steam mop body (10).



### Attaching the steam head - Fig. D

- Slide the bottom end of the steam mop body (12) onto the steam head (5) until it clicks into place.
- The steam head can be removed from the steam mop body by pressing the steam head release button (13) and pulling the steam mop body (12) off the steam head (5).

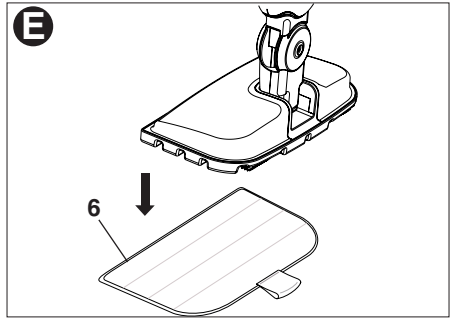


### Attaching a cleaning pad - Fig. E

(Cleaning pad quantity varies by model)

- Place a micro-fiber cleaning pad (6) on the floor with the 'hook & loop' side facing up.
- Raise the steam mop off the resting mat (7) and press it down onto the cleaning pad (6). You are now ready to steam clean and sanitize your floor.

**NOTICE:** Always place the steam mop on the resting mat (7) with the handle (4) in the upright position when stationary and make sure the steam mop is turned off when not in use.

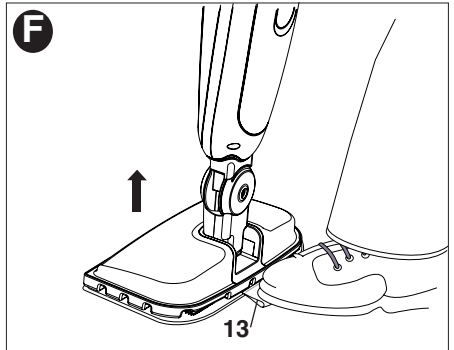


### Removing a cleaning pad - Fig. F

**CAUTION:** Always wear suitable shoes when changing the cleaning pad on your steam mop. Do not wear slippers or open-toed footwear.

- Return the handle (4) to the upright position and turn the steam mop 'OFF'.
- Place the steam mop on the resting mat and wait until it cools down. (approximately five minutes)
- Place the front of your shoe onto the cleaning pad removal tab (13) and press down firmly.
- Lift the steam mop up off the cleaning pad.

**NOTICE:** Always place the steam mop on the resting mat (7) with the handle (4) in the upright position when stationary and make sure the steam mop is turned off when not in use.

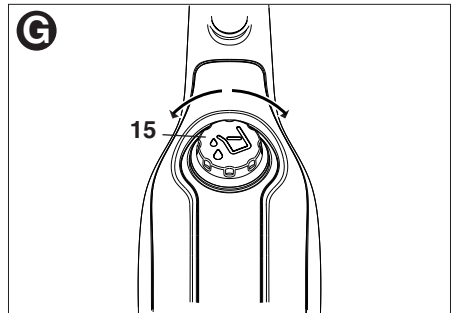


### Filling the water tank - Fig. G, H, I

**NOTE:** Fill the water tank with regular tap water.

**NOTE:** In areas of very hard water, the use of de-ionized water is recommended.

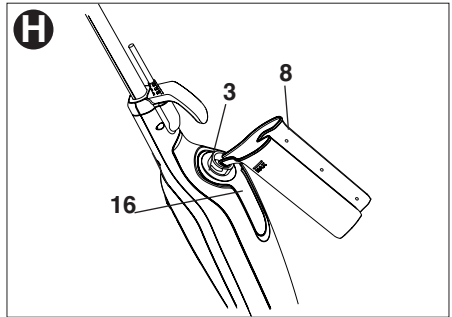
- Ensure that the appliance is switched off and the power cord is disconnected from the power outlet.
- Place the steam mop on the resting mat (7) with the handle (4) in the upright position.
- Remove the filler cap (15) by turning it counterclockwise.



- Fill the tank (3) with water.

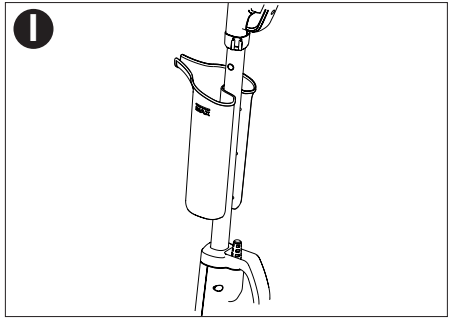
**⚠ WARNING:** Your tank has a 16.9 oz. capacity. Do not fill above the max level (16) mark. The steam mop needs some additional space in the tank in order to produce the necessary pressure.

- Fit the filler cap (15) by turning it clockwise. Please ensure the filler cap is screwed on straight and tight in order to ensure the tank receives the necessary pressure to produce steam.



**NOTE:** When not in use, the water cup may be clipped to the handle for convenient storage (Fig. I)

**NOTICE:** Always empty the steam mop after use.



## OPERATION

**FOR FLOOR USE ONLY; DO NOT USE THE UNIT UPSIDE DOWN.**

### Switching on and off

- To switch the appliance on, press the ON/OFF button (1). It takes approximately 15 seconds for the steam mop to heat up.

**NOTE:** When the steam mop is first turned on, the water reservoir will glow red. Once the steam mop is ready to use the water reservoir will glow blue.

- To switch the appliance off, press the ON/OFF button (1).

**NOTICE:** Never leave the steam mop in one spot on any surface for any period of time. Always place the steam mop on the resting mat (7) with the handle tube (4) in the upright position when stationary and make sure the steam mop is turned off when not in use.

**NOTICE:** Always empty the steam mop after use.

### SmartSelect™ Dial

The steam mop is equipped with a SmartSelect™ dial (2) which shows various hard floor surface cleaning applications. They are used to select the correct operating mode for your particular hard floor surface.

Using the SmartSelect™ dial (2), choose from one of the following applications:

	<b>Stone/Marble</b>
	<b>Tiles/Vinyl</b>
	<b>Wood/Laminate</b>

The steam mop will select the correct volume of steam required for your particular cleaning operation.

**⚠ WARNING:** Do not use on any unsealed hard floor surfaces. Additionally, on surfaces that have been treated with wax or some no wax floors, the sheen may be removed by the heat and steam action. It is always recommended to test an isolated area of the surface to be cleaned before proceeding. We also recommend that you check the use and care instructions from the floor manufacturer.

## HINTS FOR OPTIMUM USE

### General

**NOTICE:** Never use the steam mop without first attaching a cleaning pad.

- Always vacuum or sweep the floor before using the steam mop.
- The easiest way to use the machine is to tilt the handle to a 45° angle and clean slowly, covering a small area at a time.
- Do not use chemical cleaners with your steam mop. To remove stubborn stains from vinyl or linoleum floors, you can pre-treat with a mild detergent and some water before using the steam mop.

### Steam cleaning

- Place a cleaning pad (6) on the floor with the 'hook & loop' side facing up.
- Raise the steam mop off the resting mat (7) and lightly press it down onto the cleaning pad (6).
- Place the steam mop on the resting mat.
- Plug the steam mop into the outlet.
- Turn the SmartSelect™ dial (2) to the required setting.
- Press the ON/OFF button (1). It takes approximately 15 seconds for the steam mop to heat up.
- Pulling the handle (4) back will activate the steam pump.
- It takes a few seconds for steam to enter the cleaning pad. The steam mop will now glide easily over the surface to be sanitized/cleaned. **NOTE:** When using for the first time, the appliance may take longer than the normal 15 second startup time to steam. This will only occur during the first use.
- Push and pull the steam mop slowly across the floor to thoroughly steam clean each section.

**NOTE:** During use you may turn off the steam pump by returning the handle to the upright position, this convenient feature will allow you to place the steam mop on the resting mat so that you may move items of furniture without the need to switch the appliance off.

- When you have finished using the steam mop, return the handle (4) to the upright position and turn it 'OFF', place it on the resting mat (7) and wait until the steam mop cools down. (approximately five minutes)

**NOTICE:** It is important to monitor the water level in the water tank. To refill the water tank and continue to sanitize/clean, return the handle (4) to the upright position and turn the steam mop 'OFF'. Unplug the unit from the wall outlet and refill the water tank (3) using the water cup (8) supplied.

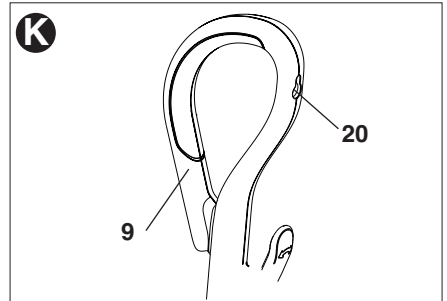
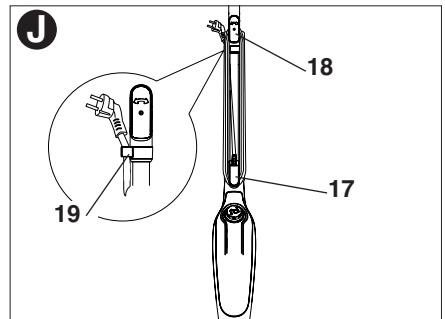
**NOTICE:** Never leave the steam mop in one spot on any surface for any period of time. Always place the steam mop on the resting mat (7) with the handle (4) in the upright position when stationary and make sure the steam mop is turned off when not in use.

## After use (Fig. J & K)

- Return the handle (4) to the upright position and turn it 'OFF';
- Place the steam mop on the resting mat (7) and wait until the steam mop cools down. (approximately five minutes)
- Unplug the steam mop from the wall outlet.
- Empty the water tank (3).
- Remove the cleaning pad (6) and wash it so that it will be ready for next use. (Take care to follow the wash care instructions printed on the cleaning pad).
- Wrap the supply electric cord around the cord hooks (17 & 18).

**NOTE:** The top cord hook rotates to easily release the cord ready for next use.

- Clip the cord into the cord clip (19) close to the plug.
- Place steam mop on the resting mat (7) for storage.



**NOTE:** With the handle (4) in the upright position, the power cord neatly wrapped around the cord hooks (17 & 18) and secured in the cord clip (19) your steam mop will stand on its own for storage. Alternatively there is a hanging bracket (20) built into the top cord hook which will allow your steam mop to be hung from a suitable hook on the wall. Always ensure that your wall hook is capable of supporting the weight of the steam mop safely.

## MAINTENANCE AND CLEANING

Your Black & Decker corded appliance has been designed to operate over a long period of time with a minimum of maintenance.

Continuous satisfactory operation depends upon proper appliance care and regular cleaning.

**⚠ WARNING:** Before performing any maintenance or cleaning on corded appliances switch off and unplug the appliance.

- Clean your appliance using a soft damp cloth. Never let any liquid get inside the appliance; never immerse any part of the appliance into a liquid. **IMPORTANT:** To assure product SAFETY and RELIABILITY, repairs, maintenance and adjustment should be performed by authorized service centers or other qualified service organizations, always using identical replacement parts.
- For stubborn marks you can use a mild solution of soap and water to dampen your cloth.

### Care of the cleaning pads

Wash care instructions - Machine wash warm 60°F (16°C) - No bleach - No fabric softener - Allow to dry fully before re-use.

**NOTICE:** Follow the cleaning instructions printed on the label of your cleaning pad.



## ACCESSORIES

Recommended accessories for use with your appliance are available from your local dealer or authorized service center. If you need assistance regarding accessories, please call: **1-800-544-6986**.

**⚠ WARNING:** The use of any accessory not recommended for use with this appliance could be hazardous.

### TROUBLESHOOTING

#### PROBLEM

• Unit will not start.

#### POSSIBLE CAUSE

• Cord not plugged in.

• Circuit fuse is blown.

• Circuit breaker is tripped.

• Cord or switch is damaged.

#### POSSIBLE SOLUTION

• Plug appliance into a working outlet.

• Replace circuit fuse. (If the product repeatedly causes the circuit fuse to blow, discontinue use immediately and have it serviced at a Black & Decker service center or authorized servicer.)

• Reset circuit breaker. (If the product repeatedly causes the circuit breaker to trip, discontinue use immediately and have it serviced at a Black & Decker service center or authorized servicer.)

• Have cord or switch replaced at a Black & Decker Service Center or Authorized Servicer.

• Mop will not make steam.

• No water in water tank.

• Water tank cap is not screwed on correctly.

• Add water to the water tank.

• Please ensure the filler cap is screwed on straight and tight in order to ensure the tank receives the necessary pressure to produce steam.

• Mop leaves water on floor.

• Cleaning pad is too wet.

• Unplug unit from power outlet and change the micro-fiber cleaning pad.

• Mop left spot on floor.

• Mop left in one spot too long.

• Hard water.

• Never leave the steam mop on the floor with a damp or wet cleaning pad still attached when not in use.

• Use distilled water.

For assistance with your product, visit our website **[www.blackanddecker.com](http://www.blackanddecker.com)** for the location of the service center nearest you or call the BLACK & DECKER help line at **1-800-544-6986**.

## SERVICE INFORMATION

All Black & Decker Service Centers are staffed with trained personnel to provide customers with efficient and reliable power tool service. Whether you need technical advice, repair, or genuine factory replacement parts, contact the Black & Decker location nearest you. To find your local service location, refer to the yellow page directory under "Tools—Electric" or call: **1-800-544-6986** or visit **www.blackanddecker.com**

## FULL TWO-YEAR HOME USE WARRANTY

Black & Decker (U.S.) Inc. warrants this product for two years against any defects in material or workmanship. The defective product will be replaced or repaired at no charge in either of two ways.

The first, which will result in exchanges only, is to return the product to the retailer from whom it was purchased (provided that the store is a participating retailer). Returns should be made within the time period of the retailer's policy for exchanges (usually 30 to 90 days after the sale). Proof of purchase may be required. Please check with the retailer for their specific return policy regarding returns that are beyond the time set for exchanges.

The second option is to take or send the product (prepaid) to a Black & Decker owned or authorized Service Center for repair or replacement at our option. Proof of purchase may be required. Black & Decker owned and authorized Service Centers are listed under "Tools-Electric" in the yellow pages of the phone directory.

This warranty does not apply to accessories. This warranty gives you specific legal rights and you may have other rights which vary from state to state or province to province. Should you have any questions, contact the manager of your nearest Black & Decker Service Center. This product is not intended for commercial use.

**LATIN AMERICA:** This warranty does not apply to products sold in Latin America. For products sold in Latin America, check country specific warranty information contained in the packaging, call the local company or see the website for warranty information.

**FREE WARNING LABEL REPLACEMENT:** If your warning labels become illegible or are missing, call **1-800-544-6986** for a free replacement.



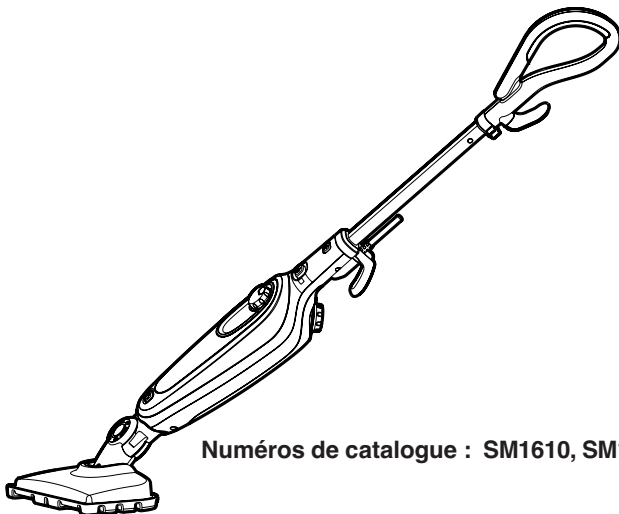
Imported by  
Black & Decker (U.S.) Inc.,  
701 E. Joppa Rd.  
Towson, MD 21286 U.S.A.

See 'Tools-Electric'  
– Yellow Pages –  
for Service & Sales



 **BLACK & DECKER®**

# GUIDE D'UTILISATION BALAI À VAPEUR



Numéros de catalogue : SM1610, SM1620, SM1630

**Merci d'avoir choisi Black & Decker!  
Consulter le site Web  
[www.BlackandDecker.com/NewOwner](http://www.BlackandDecker.com/NewOwner)  
pour enregistrer votre nouveau produit.**

## **À LIRE AVANT DE RETOURNER CE PRODUIT POUR QUELQUE RAISON QUE CE SOIT :**

Si des questions ou des problèmes surgissent après l'achat d'un produit Black & Decker,  
consulter le site Web

**[HTTP://WWW.BLACKANDDECKER.COM/INSTANTANSWERS](http://www.blackanddecker.com/instantanswers)**

pour obtenir des réponses instantanément 24 heures par jour.

Si la réponse est introuvable ou en l'absence d'accès à l'Internet, composer le  
1 800 544-6986 de 8 h à 17 h HNE, du lundi au vendredi, pour parler avec un agent.

Prière d'avoir le numéro de catalogue sous la main lors de l'appel.

**CONSERVER CE MANUEL POUR UN USAGE ULTÉRIEUR.**

## UTILISATION PRÉVUE

Le balai à vapeur Black & Decker a été conçu pour désinfecter et nettoyer les sols de bois dur scellé, de bois lamellés scellés, de linoléum, de vinyle, de carreaux de céramique, en pierre et en marbre. Utilisation pour le plancher seulement; ne pas utiliser l'appareil à l'envers. Cet appareil est conçu pour une utilisation domestique intérieure seulement.

### Directives de sécurité

**⚠ AVERTISSEMENT** : Lire tous les avertissements de sécurité et toutes les consignes. Le non-respect des avertissements et des directives figurant ci-dessous peut entraîner des risques de décharge électrique, d'incendie ou de blessures graves.

**⚠ AVERTISSEMENT** : Lorsque des outils électriques sont utilisés, des précautions de base en matière de sécurité, notamment les suivantes, doivent toujours être observées afin de réduire le risque d'incendie, de décharge électrique, de blessures corporelles et de dommages matériels.

### AVERTISSEMENTS DE SÉCURITÉ ET DIRECTIVES : FICHES POLARISÉES

Pour réduire le risque de décharge électrique, le présent appareil comporte une fiche polarisée (une broche est plus large que l'autre). Cet équipement doit être utilisé avec une rallonge polarisée appropriée à 2 ou 3 fils. Les connexions polarisées ne peuvent être utilisées que dans un sens. S'assurer que le réceptacle à l'extrémité de la rallonge est équipé de fentes de lame de largeurs différentes (petites et grandes). Si la fiche ne s'insère pas totalement dans la rallonge, la renverser. Si elle ne s'insère toujours pas, se procurer la rallonge appropriée. Si la rallonge ne s'insère pas complètement dans la prise, communiquer avec un électricien professionnel pour qu'il installe une prise appropriée. Ne modifier en aucune façon la fiche de l'outil ou la rallonge.

Calibre minimal des cordons de rallonge					
Tension		Longueur totale du cordon en pieds			
120V		0-25	26-50	51-100	101-150
		(0-7,6m)	(7,6-15,2m)	(15,2-30,4m)	(30,4-45,7m)
240V		0-50	51-100	101-200	201-300
		(0-15,2m)	(15,2-30,4m)	(30,4-60,9m)	(60,9-91,4m)
Intensité (A)		Calibre moyen des fils (AWG)			
Au moins	Au plus				
0	- 6	18	16	16	14
6	- 10	18	16	14	12
10	- 12	16	16	14	12
12	- 16	14	12	Non recommandé	

- Bien lire tout le mode d'emploi avant d'utiliser l'appareil.
- L'utilisation prévue est décrite dans le présent mode d'emploi. L'utilisation de tout accessoire ou pièce ou encore toute opération réalisée avec cet appareil autre que celles recommandées dans le présent mode d'emploi peut présenter un risque de blessures corporelles.
- Conserver ce mode d'emploi pour un usage ultérieur.

### Utilisation de l'appareil

- Ne pas diriger la vapeur vers les gens, les animaux, des appareils électriques ou des prises de courant.
- Ne pas exposer à la pluie.
- Ne pas immerger l'appareil dans l'eau.
- Ne pas laisser l'appareil sans surveillance. Tenir les enfants à l'écart de l'appareil lorsqu'il fonctionne.
- Ne pas laisser l'appareil branché à une prise de courant lorsqu'il n'est pas utilisé.
- Ne jamais tirer sur le cordon pour débrancher l'appareil de la prise. Tenir le cordon éloigné de la chaleur, de l'huile et des bords tranchants.

- Ne pas manipuler le balai à vapeur avec des mains mouillées.
- Ne pas tirer sur le cordon ni transporter l'outil par le cordon. Ne pas utiliser le cordon comme poignée, ni fermer une porte dessus, ni tirer le cordon contre des bords tranchants, ni l'exposer à des surfaces chauffées.
- Ne pas utiliser l'appareil dans un endroit fermé rempli de vapeur émanant de diluant pour peintures à l'huile, de certaines substances de traitement antimites, de poussières inflammables ou d'autres vapeurs explosives ou toxiques.
- Ne pas utiliser sur du cuir, des meubles ou des planchers polis à la cire, des tissus synthétiques, du velours ou d'autres tissus délicats sensibles à la vapeur.
- Ne pas utiliser sur du bois non scellé ou des planchers lamellés non scellés, car l'humidité provenant de la vapeur pourrait causer des dommages. En outre, sur les surfaces traitées à la cire ou sur certains planchers sans cire, le lustre peut être enlevé par la chaleur et l'action de la vapeur. Il est toujours recommandé de tester un endroit isolé de la surface à nettoyer avant de procéder. Nous recommandons également de consulter le mode d'emploi et d'entretien fourni par le fabricant de planchers.
- Ne jamais verser de produits de détartrage ou de produits aromatiques, alcoolisés ou détersifs dans le balai à vapeur, car cela peut l'endommager ou le rendre non sécuritaire à l'utilisation.
- Si le disjoncteur s'active durant l'utilisation de la fonction vapeur, cesser d'utiliser le produit immédiatement et communiquer avec le centre de soutien à la clientèle. (Attention au risque de décharge électrique.)
- L'appareil émet une vapeur très chaude pour désinfecter l'endroit utilisé. Cela signifie que la tête à vapeur et les tampons nettoyeurs deviennent très chauds durant l'utilisation.

**⚠ MISE EN GARDE :** Toujours porter des chaussures adéquates à l'utilisation du balai à vapeur et au changement des accessoires de l'appareil. Ne pas porter des pantoufles ou des chaussures à bout ouvert.

- Le couvercle peut devenir chaud durant l'utilisation de l'appareil.
- De la vapeur peut s'échapper de l'appareil durant son utilisation.
- Être prudent au moment d'utiliser cet appareil. NE PAS toucher les pièces qui peuvent devenir chaudes durant l'utilisation de l'appareil.
- Éteindre l'appareil et remettre la poignée à la verticale avant d'enlever le bouchon du réservoir d'eau.

## Après usage

- Débrancher l'appareil et le laisser refroidir sur le tapis de repos avant de le nettoyer.
- Lorsque l'appareil n'est pas utilisé, il doit être rangé dans un endroit sec.
- Les enfants ne doivent pas avoir accès aux appareils rangés.

## Inspection et réparations

- Débrancher l'appareil et le laisser refroidir sur le tapis de repos avant d'effectuer un entretien ou des réparations.
- Avant son utilisation, vérifier l'appareil à la recherche de pièces endommagées ou défectueuses. Vérifier si des pièces sont brisées, si des interrupteurs sont endommagés et s'il y a d'autres problèmes pouvant compromettre le fonctionnement de l'appareil.
- Vérifier régulièrement si le cordon d'alimentation est endommagé.
- Ne pas utiliser l'appareil si une pièce est endommagée ou défectueuse.
- Faire réparer ou remplacer toute pièce endommagée ou défectueuse par un agent de réparation autorisé.
- Ne jamais tenter d'enlever ou de remplacer toute pièce autre que celles précisées dans ce mode d'emploi.

## Sécurité d'autrui

- Cet appareil ne doit pas être utilisé par des personnes (notamment des enfants) présentant des capacités physiques, sensorielles ou mentales réduites ou ayant un manque d'expérience et de connaissance, à moins qu'elles ne soient supervisées ou informées relativement à l'utilisation de l'appareil par une personne responsable de leur sécurité.
- Les enfants doivent être supervisés afin de s'assurer qu'ils ne jouent pas avec l'appareil.

## LIGNES DIRECTRICES EN MATIÈRE DE SÉCURITÉ - DÉFINITIONS

Il est important que vous lisiez et compreniez ce mode d'emploi. Les informations qu'il contient concernent VOTRE SÉCURITÉ et visent à ÉVITER TOUT PROBLÈME. Les symboles ci-dessous servent à vous aider à reconnaître cette information.

**⚠ DANGER :** Indique une situation dangereuse imminente qui, si elle n'est pas évitée, causera la mort ou des graves blessures.

**⚠ AVERTISSEMENT :** Indique une situation potentiellement dangereuse qui, si elle n'est pas évitée, pourrait causer la mort ou de graves blessures.

**⚠ MISE EN GARDE :** Indique une situation potentiellement dangereuse qui, si elle n'est pas évitée, pourrait causer des blessures mineures ou modérées.

**AVIS :** Utilisé sans le symbole d'alerte à la sécurité, indique une situation potentiellement dangereuse qui, si elle n'est pas évitée, peut résulter en des dommages à la propriété.

## Risques résiduels

Des risques résiduels supplémentaires peuvent survenir au moment d'utiliser l'outil et peuvent ne pas figurer dans les avertissements de sécurité aux présentes. Ces risques peuvent se poser en cas d'utilisation inadéquate, d'utilisation prolongée, etc. Il est impossible d'éviter certains risques résiduels malgré le respect de toutes les règles de sécurité pertinentes et l'utilisation de dispositifs de protection. Cela comprend :

- Les blessures causées en touchant des pièces mobiles.
- Les blessures causées en touchant des pièces chaudes.
- Les blessures causées en changeant des pièces ou des accessoires.
- Les blessures causées par une utilisation prolongée de l'appareil. Lorsque l'appareil est utilisé durant de longues périodes, s'assurer de prendre régulièrement une pause.

## DESCRIPTION FONCTIONNELLE

1. Interrupteur  
MARCHE/ARRÊT

2. SmartSelect<sup>MC</sup>

3. Réservoir d'eau

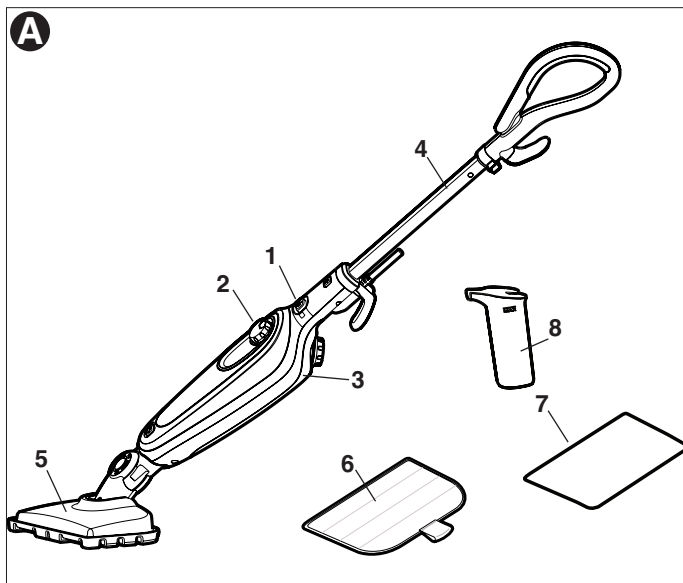
4. Guidon  
tubulaire

5. Tête à vapeur

6. Tampon  
nettoyant en  
microfibres

7. Tapis de repos

8. Coupelle à eau



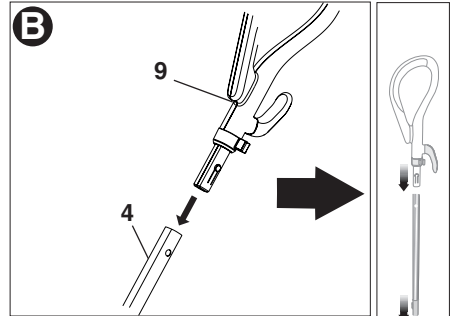
## ASSEMBLAGE

**REMARQUE :** Chaque balai à vapeur est contrôlé à 100 % en usine pour assurer le rendement et la sécurité du produit. Au moment d'assembler pour la première fois le balai à vapeur neuf, on peut constater la présence d'eau à l'intérieur du produit.

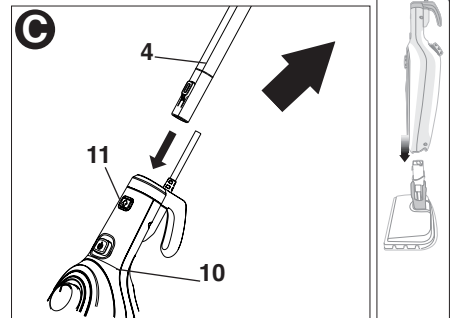
**⚠ AVERTISSEMENT :** Avant de réaliser les opérations suivantes, s'assurer que l'appareil est éteint et débranché, qu'il est froid et qu'il renferme peu ou pas d'eau.

### Fixation de la poignée — fig. B et C

- Glisser la poignée (9) dans l'extrémité haute du guidon tubulaire (4) de manière à ce qu'un déclic se fasse entendre.

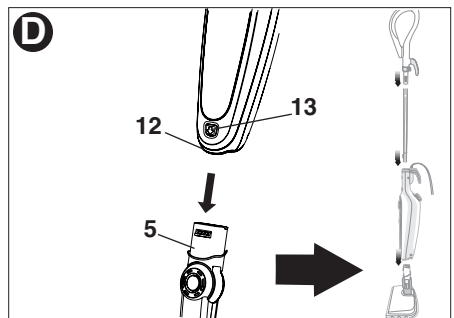


- Glisser l'extrémité basse du guidon tubulaire (4) dans l'extrémité haute du corps du balai à vapeur (10) de manière à ce qu'un déclic se fasse entendre.
- La poignée peut être enlevée du corps du balai à vapeur pour faciliter le rangement. Il suffit d'enfoncer le bouton de dégagement (11), puis de retirer le guidon tubulaire (4) du corps du balai à vapeur (10).



### Fixation de la tête à vapeur — fig. D

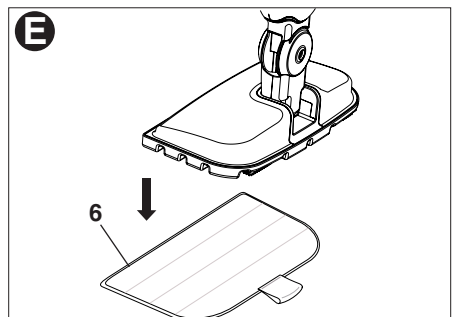
- Glisser l'extrémité basse du corps du balai à vapeur (12) sur la tête à vapeur (5) de manière à ce qu'un déclic se fasse entendre.
- La tête à vapeur peut être enlevée du corps du balai à vapeur. Il suffit d'enfoncer le bouton de dégagement de la tête à vapeur (13) et de retirer le corps du balai à vapeur (12) de la tête à vapeur (5).



### Fixation d'un tampon nettoyant — fig. E

(La quantité de tampons nettoyants varie selon le modèle.)

- Mettre le tampon nettoyant en microfibres (6) sur le plancher de manière à ce que le côté auto-agrippant soit vers le haut.
- Soulever le balai à vapeur du tapis de repos (7), puis l'appuyer légèrement sur le tampon nettoyant (6). L'appareil est maintenant prêt à nettoyer et à désinfecter à la vapeur le plancher.

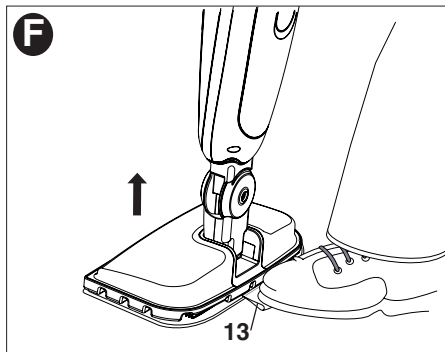


**AVIS :** Toujours mettre le balai à vapeur sur le tapis de repos (7), la poignée (4) étant à la verticale lorsque l'appareil est immobile. S'assurer aussi que le balai à vapeur est éteint lorsqu'il n'est pas utilisé.

## Retrait d'un tampon nettoyant — fig. F

**MISE EN GARDE :** Toujours porter des chaussures adéquates au moment de changer le tampon nettoyant du balai à vapeur. Ne pas porter des pantoufles ou des chaussures à bout ouvert.

- Remettre la poignée (4) à la verticale, puis éteindre le balai à vapeur.
- Mettre le balai à vapeur sur le tapis de repos et le laisser refroidir. (Environ cinq minutes.)
- Mettre la partie avant de la chaussure sur la languette de dégagement (13) du tampon nettoyant et l'enfoncer fermement.
- Soulever le balai à vapeur du tampon nettoyant.



**AVIS :** Toujours mettre le balai à vapeur sur le tapis de repos (7), la poignée (4) étant à la verticale lorsque l'appareil est immobile. S'assurer aussi que le balai à vapeur est éteint lorsqu'il n'est pas utilisé.

## Remplissage du réservoir d'eau — fig. G, H et I

**REMARQUE :** Remplir le réservoir d'eau avec de l'eau du robinet.

**REMARQUE :** Dans les régions où l'eau est très dure, il est recommandé d'utiliser de l'eau désionisée.

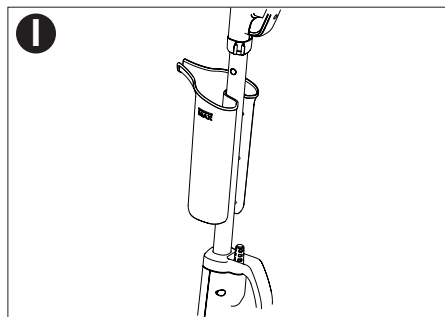
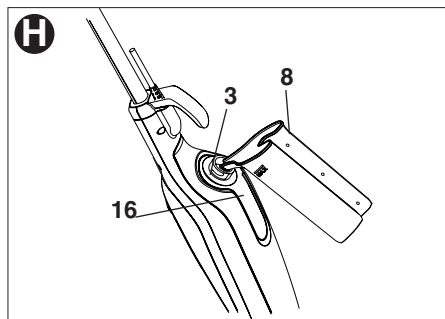
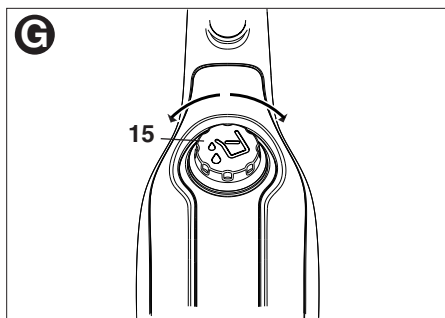
- S'assurer que l'appareil est éteint et que le cordon est débranché de la prise électrique.
- Mettre le balai à vapeur sur le tapis de repos (7), la poignée (4) étant à la verticale.
- Enlever le bouchon de remplissage (15) en le dévissant dans le sens antihoraire.
- Remplir le réservoir (3) d'eau.

**⚠ AVERTISSEMENT :** Le réservoir a une capacité de 500 ml (16,9 oz). Le réservoir du balai à vapeur doit avoir suffisamment d'espace pour pouvoir produire la pression nécessaire. Ne pas dépasser le repère (16) du niveau max. au moment de remplir le réservoir.

- Poser le bouchon de remplissage (15) en le vissant dans le sens horaire. S'assurer que le capuchon de remplissage est bien vissé droit afin que le réservoir reçoive suffisamment de pression pour produire de la vapeur.

**REMARQUE :** Lorsqu'elle n'est pas utilisée, la coupelle à eau peut être fixée à la poignée pour un rangement pratique (fig. I).

**AVIS :** Toujours vider le balai à vapeur après l'avoir utilisé.





## FONCTIONNEMENT

**POUR L'UTILISATION DU FOND SEULEMENT; NE PAS UTILISER L'APPAREIL À L'ENVERS.**

### Mise en marche et arrêt

- Pour allumer l'appareil, enfoncer le bouton MARCHE/ARRÊT (1). Il faut environ 15 secondes pour que le balai à vapeur se réchauffe.

**REMARQUE :** Lorsque le balai à vapeur est allumé pour la première fois, le témoin du réservoir d'eau passe au rouge. Lorsque le balai à vapeur est prêt à être utilisé, le témoin du réservoir passe au bleu.

- Pour éteindre l'appareil, enfoncer le bouton MARCHE/ARRÊT (1).

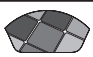


**AVIS :** Ne jamais laisser le balai à vapeur à un endroit, peu importe la surface, pendant une période de temps. Toujours mettre le balai à vapeur sur le tapis de repos (7), le guidon tubulaire (4) étant à la verticale lorsque l'appareil est immobile. S'assurer aussi que le balai à vapeur est éteint lorsqu'il n'est pas utilisé.

**AVIS :** Toujours vider le balai à vapeur après l'avoir utilisé.

### Cadran Smart Select<sup>MC</sup>

Le balai à vapeur est pourvu d'un cadran SmartSelect<sup>MC</sup> (2) qui indique diverses applications de nettoyage pour les surfaces de planchers durs. Il permet de choisir le bon mode de fonctionnement pour l'application de nettoyage convenant à la surface particulière du plancher dur.

Utiliser le cadran SmartSelect<sup>MC</sup> (2) pour choisir l'une des applications suivantes :

	Pierre/marbre
	Carreaux/vinyle
	Bois dur/bois lamellé

Le balai à vapeur sélectionnera le bon volume de vapeur requis pour l'opération de nettoyage particulière.

**⚠ AVERTISSEMENT :** Ne pas utiliser sur du bois non scellé ou des planchers lamellés non scellés, car l'humidité provenant de la vapeur pourrait causer des dommages. En outre, sur les surfaces traitées à la cire ou sur certains planchers sans cire, le lustre peut être enlevé par la chaleur et l'action de la vapeur. Il est toujours recommandé de tester un endroit isolé de la surface à nettoyer avant de procéder. Nous recommandons également de consulter le mode d'emploi et d'entretien fourni par le fabricant de planchers.

## CONSEILS POUR UNE UTILISATION OPTIMALE

### Général

**AVIS :** Ne jamais utiliser le balai à vapeur sans d'abord y fixer un tampon nettoyant.

- Toujours passer l'aspirateur ou le balai sur le plancher avant d'utiliser le balai à vapeur.
- La façon la plus facile d'utiliser la machine est d'incliner la poignée à un angle de 45 ° et de nettoyer lentement en couvrant une petite section à la fois.
- Ne pas utiliser des produits nettoyants chimiques avec le balai à vapeur. Pour éliminer les taches tenaces des planchers de vinyle ou de linoléum, on peut les prétraiter avec un détergent doux et un peu d'eau avant d'utiliser le balai à vapeur.

### Nettoyage à la vapeur

- Mettre un tampon nettoyant (6) sur le plancher de manière à ce que le côté auto-agrippant soit vers le haut.
- Soulever le balai à vapeur du tapis de repos (7), puis l'appuyer légèrement sur le tampon nettoyant (6).

- Mettre le balai à vapeur sur le tapis de repos.
- Brancher le balai à vapeur dans la prise.
- Régler le cadran SmartSelectMC (2) à la position requise.
- Appuyer sur le bouton MARCHÉ/ARRÊT (1). Il faut environ 15 secondes pour que le balai à vapeur se réchauffe.
- Tirer sur la poignée (4) activera la pompe à vapeur. Lors de la première utilisation, il peut falloir plus de temps à l'appareil pour produire de la vapeur que le temps de démarrage habituel de 15 secondes. Cela se produira uniquement lors de la première utilisation.
- Il faut quelques secondes pour que la vapeur pénètre dans le tampon nettoyant. Le balai à vapeur glissera maintenant facilement sur la surface à désinfecter ou à nettoyer.
- Pousser et tirer le balai à vapeur lentement sur le plancher afin de bien nettoyer à la vapeur chaque section.

**REMARQUE :** Durant l'utilisation, il est possible de désactiver la pompe à vapeur en remettant la poignée à la verticale. Cette fonction pratique permet de mettre le balai à vapeur sur le tapis de repos afin de déplacer des meubles sans devoir éteindre l'appareil.

- Après avoir terminé d'utiliser le balai à vapeur, remettre la poignée (4) à la verticale, puis éteindre l'appareil, le mettre sur le tapis de repos (7) et le laisser refroidir. (Environ cinq minutes.)

**AVIS :** Il est important de surveiller le niveau d'eau dans le réservoir d'eau. Pour remplir le réservoir d'eau et continuer de désinfecter ou de nettoyer le plancher, remettre la poignée (4) à la verticale, puis éteindre le balai à vapeur. Débrancher l'appareil de la prise murale, puis remplir le réservoir d'eau (3) à l'aide de la coupelle à eau (8) fournie.

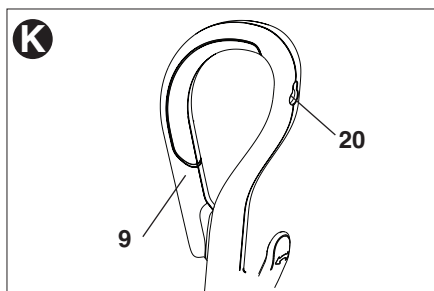
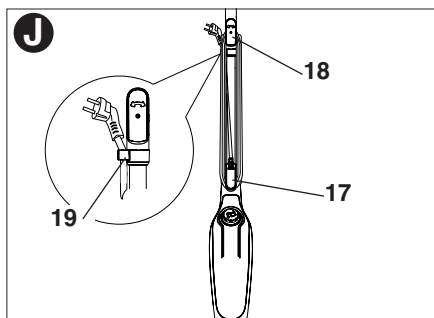
**AVIS :** Ne jamais laisser le balai à vapeur à un endroit, peu importe la surface, pendant une période de temps. Toujours mettre le balai à vapeur sur le tapis de repos (7), la poignée (4) étant à la verticale lorsque l'appareil est immobile. S'assurer aussi que le balai à vapeur est éteint lorsqu'il n'est pas utilisé.

### Après usage (fig. J et K)

- Remettre la poignée (4) à la verticale, puis éteindre l'appareil.
- Mettre le balai à vapeur sur le tapis de repos (7) et le laisser refroidir. (Environ cinq minutes.)
- Débrancher le balai à vapeur de la prise murale.
- Vider le réservoir d'eau (3).
- Enlever le tampon nettoyant (6) et le laver afin qu'il soit prêt à être utilisé la prochaine fois. (S'assurer de suivre les directives de nettoyage imprimées sur le tampon nettoyant.)
- Enrouler le cordon d'alimentation autour des crochets à cordon (17 et 18).

**REMARQUE :** Le crochet à cordon supérieur tourne afin de dégager facilement le cordon pour sa prochaine utilisation.

- Fixer le cordon à l'aide de la pince à cordon (19), près de la fiche.
- Mettre le balai à vapeur sur le tapis de repos (7) en vue du rangement.



**REMARQUE :** La poignée (4) étant à la verticale, le cordon d'alimentation bien enroulé autour des crochets à cordon (17 et 18) et fixé à l'aide de la pince à cordon (19), le balai à vapeur se suffit à lui-même et est prêt à être rangé. Un support de suspension (20) intégré au crochet de cordon supérieur permet aussi de pendre le balai à vapeur au mur sur un crochet approprié. Toujours s'assurer que le crochet mural peut soutenir le poids du balai à vapeur de manière sécuritaire.

## ENTRETIEN ET NETTOYAGE

L'appareil avec fil Black & Decker a été conçu pour fonctionner longtemps et demander un minimum d'entretien.

Un fonctionnement satisfaisant continu dépend du bon entretien et du nettoyage régulier de l'appareil.

**⚠ AVERTISSEMENT :** Avant de procéder à tout entretien ou nettoyage d'un appareil avec fil, éteindre l'appareil et le débrancher.

- Nettoyer l'appareil à l'aide d'un chiffon humecté doux. Ne jamais laisser de liquide pénétrer dans l'appareil; ne jamais immerger une partie de l'appareil dans un liquide. **IMPORTANT :** Pour garantir la SÉCURITÉ et la FIABILITÉ du produit, les réparations, l'entretien et le réglage doivent être réalisés par un centre de réparation autorisé ou tout autre centre de réparation professionnel, et des pièces de rechange identiques doivent être utilisées.
- Pour enlever les taches tenaces, on peut utiliser une solution savonneuse douce pour humecter le chiffon.

### Entretien des tampons nettoyeurs

Directives de lavage — Laver à la machine à l'eau tiède, soit 16 °C (60 °F) — Aucun javellisant — Aucun assouplissant — Laisser complètement sécher avant de les réutiliser.

**AVIS :** Respecter les directives de nettoyage imprimées sur l'étiquette du tampon nettoyant.

## ACCESSOIRES

Les accessoires recommandés pouvant être utilisés avec l'appareil sont disponibles auprès du détaillant local ou du centre de réparation autorisé. Pour obtenir de l'aide concernant les accessoires, composer le : **1 800 544-6986**.

**⚠ AVERTISSEMENT :** L'utilisation de tout accessoire non recommandé avec cet appareil pourrait s'avérer dangereuse.

## DÉPANNAGE

### PROBLÈME

- L'appareil ne démarre pas.

### CAUSE POSSIBLE

- Cordon d'alimentation non branché.
- Le fusible du circuit est grillé.
- Le disjoncteur s'est déclenché.
- Cordon d'alimentation ou interrupteur endommagé.

### SOLUTION POSSIBLE

- Brancher l'appareil dans une prise en bon état.
- Remplacer le fusible du circuit. (Si le produit fait griller de façon répétée le fusible du circuit, arrêter immédiatement d'utiliser le produit et le faire réparer dans un centre de réparation Black & Decker ou un centre de réparation autorisé.)
- Réarmer le disjoncteur. (Si le produit fait déclencher de façon répétée le disjoncteur, arrêter immédiatement d'utiliser le produit et le faire réparer dans un centre de réparation Black & Decker ou un centre de réparation autorisé.)
- Faire remplacer le cordon ou l'interrupteur au centre de réparation Black & Decker ou à un centre de réparation autorisé.

- Le balai ne produit pas de vapeur.

- Pas d'eau dans le réservoir.
- Le capuchon du réservoir d'eau est mal vissé.

- Ajouter de l'eau au réservoir.
- S'assurer que le capuchon de remplissage est bien vissé droit afin que le réservoir reçoive suffisamment de pression pour produire de la vapeur.

- Le balai laisse de l'eau sur le plancher.

- Le tampon nettoyant est trop mouillé.

- Débrancher l'appareil de la prise de courant, puis remplacer le tampon nettoyant en microfibres.

- Le balai laisse une marque sur le plancher.

- Le balai a été laissé trop longtemps au même endroit.

- Lorsqu'il n'est pas utilisé, ne jamais laisser le balai à vapeur sur le plancher tandis qu'un tampon humide ou mouillé y est fixé.

- Eau dure.

- Utiliser de l'eau distillée.

Pour de l'aide avec l'outil, consulter notre site Web [www.blackanddecker.com](http://www.blackanddecker.com) pour l'emplacement du centre de réparation le plus près ou communiquer avec l'assistance BLACK & DECKER au **1 800 544-6986**.

## INFORMATION SUR LES RÉPARATIONS

Tous les centres de réparation Black & Decker sont dotés de personnel qualifié en matière d'outillage électrique; ils sont donc en mesure d'offrir à leur clientèle un service efficace et fiable. Que ce soit pour un avis technique, une réparation ou des pièces de rechange authentiques installées en usine, communiquer avec l'établissement Black & Decker le plus près de chez vous. Pour trouver l'établissement de réparation de votre région, consulter le répertoire des Pages jaunes à la rubrique « Outils électriques » ou composer le numéro suivant : **1 800 544-6986** ou consulter le site [www.blackanddecker.com](http://www.blackanddecker.com)

## GARANTIE COMPLÈTE DE DEUX ANS POUR UNE UTILISATION DOMESTIQUE

Black & Decker (É.-U.) Inc. garantit ce produit pour une durée de deux ans contre tout défaut de matériau ou de fabrication. Le produit défectueux sera remplacé ou réparé sans frais de l'une des deux façons suivantes :

La première façon consiste en un simple échange chez le détaillant qui l'a vendu (pourvu qu'il s'agisse d'un détaillant participant). Tout retour doit se faire durant la période correspondant à la politique d'échange du détaillant (habituellement, de 30 à 90 jours après l'achat). Une preuve d'achat peut être requise. Vérifier auprès du détaillant pour connaître sa politique concernant les retours hors de la période définie pour les échanges.

La deuxième option est d'apporter ou d'envoyer le produit (transport payé d'avance) à un centre de réparation autorisé ou à un centre de réparation de Black & Decker pour faire réparer ou échanger le produit, à notre discrétion. Une preuve d'achat peut être requise. Les centres Black & Decker et les centres de service autorisés sont répertoriés dans les pages jaunes, sous la rubrique « Outils électriques ».

Cette garantie ne s'applique pas aux accessoires. Cette garantie vous accorde des droits légaux spécifiques et vous pourriez avoir d'autres droits qui varient d'un État ou d'une province à l'autre. Pour toute question, communiquer avec le directeur du centre de réparation Black & Decker le plus près de chez vous. Ce produit n'est pas destiné à un usage commercial.

**REPLACEMENT GRATUIT DES ÉTIQUETTES D'AVERTISSEMENT** : si les étiquettes d'avertissement deviennent illisibles ou sont manquantes, composer le **1 800 544-6986** pour en obtenir le remplacement gratuit.

Imported by / Importé par  
Black & Decker Canada Inc.  
100 Central Ave.  
Brockville (Ontario) K6V 5W6

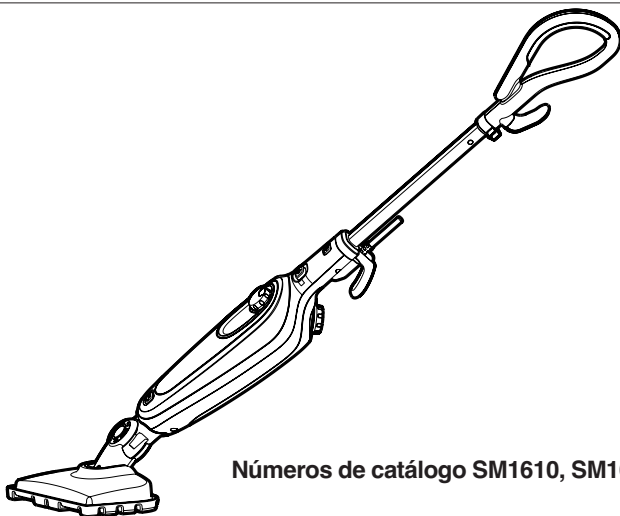
Voir la rubrique "Outils  
électriques"  
des Pages Jaunes  
pour le service et les ventes.





# MANUAL DE INSTRUCCIONES

# TRAPEADOR DE VAPOR



Números de catálogo SM1610, SM1620, SM1630

**Gracias por elegir Black & Decker!**  
Visite [www.BlackandDecker.com/NewOwner](http://www.BlackandDecker.com/NewOwner)  
para registrar su nuevo producto.

## **LEA EL MANUAL ANTES DE DEVOLVER ESTE PRODUCTO POR CUALQUIER MOTIVO:**

Si tiene una consulta o algún inconveniente con su producto Black & Decker, visite  
**[HTTP://WWW.BLACKANDDECKER.COM/INSTANTANSWERS](http://www.BLACKANDDECKER.COM/INSTANTANSWERS)**  
para obtener respuestas instantáneas las 24 horas del día.

Si no encuentra la respuesta o no tiene acceso a Internet, llame al 1-800-544-6986 de  
lunes a viernes de 8 a. m. a 5 p. m. hora del Este para hablar con un agente.  
Cuando llame, tenga a mano el número de catálogo.

**CONSERVE ESTE MANUAL PARA FUTURAS CONSULTAS.**

## USO PREVISTO

El trapeador de vapor Black & Decker se diseñó para higienizar y limpiar pisos de madera dura impermeabilizada, lámina impermeabilizada, linóleo, vinilo, baldosa de cerámica, piedra y mármol. Para utilizar sólo piso y no utilice la unidad boca abajo.

Únicamente para uso en pisos; no utilice la unidad de manera invertida. Este artefacto está diseñado únicamente para uso doméstico en interiores.

### Instrucciones de seguridad

**⚠ ADVERTENCIA:** Lea todas las advertencias de seguridad y todas las instrucciones. El incumplimiento de cualquiera de las advertencias e instrucciones indicadas a continuación puede provocar una descarga eléctrica, un incendio y/o lesiones graves.

**⚠ ADVERTENCIA:** Al utilizar artefactos eléctricos, siempre se deben tomar precauciones básicas de seguridad, incluidas las siguientes, para reducir el riesgo de incendios, descargas eléctricas, lesiones personales y daños materiales.

### ADVERTENCIAS E INSTRUCCIONES DE SEGURIDAD: ENCHUFES POLARIZADOS

Para reducir el riesgo de descargas eléctricas, este equipo posee un enchufe polarizado (una clavija es más ancha que la otra). Este equipo debe utilizarse con un cable prolongador polarizado bifilar o trifilar adecuado. Las conexiones polarizadas encajarán entre sí de una sola manera. Verifique que el extremo del receptáculo del cable prolongador tenga una ranura para clavija más ancha y la otra menos ancha. Si el enchufe no encaja por completo en el cable prolongador, voltéelo. Si aún así no encaja, obtenga un cable prolongador adecuado. Si el cable prolongador todavía no encaja por completo en el tomacorriente, comuníquese con un electricista calificado para instalar el tomacorriente adecuado. No altere el enchufe de la herramienta ni el cable prolongador de ninguna manera.

Volts	Calibre mínimo para cables de extensión				
	Longitud total del cable en pies				
120V	0-25	26-50	51-100	101-150	
	(0-7,6m)	(7,6-15,2m)	(15,2-30,4m)	(30,4-45,7m)	
240V	0-50	51-100	101-200	201-300	
	(0-15,2m)	(15,2-30,4m)	(30,4-60,9m)	(60,9-91,4m)	
Amperaje		American Wire Gage			
Más de	No más de				
0 - 6	18	16	16	14	
6 - 10	18	16	14	12	
10 - 12	16	16	14	12	
12 - 16	14	12	No se recomienda		

- Lea atentamente la totalidad de este manual antes de utilizar el artefacto.
- El uso previsto se describe en este manual. El uso de cualquier accesorio o aditamento, o la realización de cualquier operación con este artefacto que no sean los recomendados en este manual de instrucciones puede presentar un riesgo de lesiones personales.
- Conserve este manual para futuras consultas.

### Uso del artefacto

- No dirija el vapor hacia personas, animales, artefactos eléctricos o tomacorrientes.
- No lo exponga a la lluvia.
- No sumerja el artefacto en agua.
- No deje el artefacto sin supervisión. Mantenga a los niños alejados de la unidad mientras esté en uso.
- No deje el artefacto conectado a un tomacorriente cuando no esté en uso.
- Nunca tire del cable de alimentación para desconectar el artefacto del receptáculo. Mantenga el cable del artefacto alejado del calor, el aceite y los bordes afilados.
- No manipule el limpiador de vapor con las manos mojadas.

- No lo arrastre ni transporte por el cable, no utilice el cable como un mango, no cierre una puerta apretando el cable, no tire del cable cerca de esquinas filosas ni exponga el cable a superficies calientes.
- No lo utilice en un espacio cerrado lleno de vapores emitidos por solventes para pintura a base de aceite, algunas sustancias para tratamiento antipolilla, polvo inflamable u otros vapores explosivos o tóxicos.
- No lo utilice sobre cuero, muebles o pisos lustrados con cera, telas sintéticas, terciopelo u otros materiales delicados y sensibles al vapor.
- No lo utilice sobre pisos de madera o lámina sin impermeabilizar ya que la humedad del vapor podría provocar daños. Tampoco, en superficies que se han tratado con cera o en algunos pisos que no requieren cera, la acción del calor y el vapor puede eliminar el brillo. Siempre se recomienda hacer una prueba en un área aislada de la superficie a limpiar antes de proceder. Le recomendamos también que revise las instrucciones de uso y cuidado del fabricante del piso.
- Nunca aplique productos decapantes, aromáticos, alcohólicos o detergentes en el trapeador de vapor, ya que esto podría dañarlo o hacer que su uso sea peligroso.
- Si el interruptor automático se activa mientras utiliza la función de vapor, suspenda el uso del producto inmediatamente y comuníquese con el centro de atención al cliente. (Tenga en cuenta el riesgo de descargas eléctricas).
- El artefacto emite vapor muy caliente para higienizar el área de uso. Esto significa que el cabezal de vapor y las almohadillas de limpieza se calientan mucho durante el uso.

**⚠ PRECAUCIÓN:** Siempre use calzado adecuado mientras utilice el trapeador de vapor y cuando cambie los accesorios de éste. No use zapatillas ni calzado que exponga los dedos de los pies.

- Es posible que la tapa se caliente durante el uso.
- Es posible que escape vapor del artefacto durante el uso.
- Se debe tener cuidado al utilizar este artefacto. NO toque ninguna pieza que tal vez se caliente durante el uso.
- Apague el artefacto y devuelva el mango a la posición vertical antes de quitar el tapón del tanque de agua.

## Después del uso

- Desenchufe el artefacto y déjelo enfriar sobre la estera de apoyo antes de limpiarlo.
- Cuando no esté en uso, el artefacto debe guardarse en un lugar seco.
- Los niños no deben tener acceso a los artefactos guardados.

## Inspección y reparaciones

- Desenchufe el artefacto y déjelo enfriar sobre la estera de apoyo antes de realizar cualquier mantenimiento o reparación.
- Antes del uso, revise si el artefacto presenta piezas dañadas o defectuosas. Verifique si hay piezas rotas, interruptores dañados y cualquier otra condición que puedan afectar su funcionamiento.
- Revise periódicamente si el cable de alimentación presenta daños.
- No utilice el artefacto si alguna pieza está dañada o defectuosa.
- Haga que un agente de reparaciones autorizado repare o reemplace toda pieza dañada o defectuosa.
- Nunca intente retirar o reemplazar ninguna pieza, salvo las especificadas en este manual.

## Seguridad de los demás

- Este artefacto no está diseñado para ser utilizado por personas (incluidos los niños) con capacidades físicas, sensoriales o mentales limitadas, o que carezcan de experiencia y conocimientos, salvo que una persona encargada de su seguridad les haya supervisado o instruido sobre el uso del artefacto.
- Se debe supervisar a los niños para asegurarse de que no jueguen con el artefacto.



## PAUTAS DE SEGURIDAD/DEFINICIONES

Es importante que lea y comprenda este manual. La información que contiene se relaciona con la protección de SU SEGURIDAD y la PREVENCIÓN DE PROBLEMAS. Los símbolos que siguen se utilizan para ayudarlo a reconocer esta información.

**⚠ PELIGRO:** indica una situación de peligro inminente que, si no se evita, provocará la muerte o lesiones graves.

**⚠ ADVERTENCIA:** indica una situación de peligro potencial que, si no se evita, provocará la muerte o lesiones graves.

**⚠ PRECAUCIÓN:** indica una situación de peligro potencial que, si no se evita, provocará lesiones leves o moderadas.

**AVISO:** utilizado sin el símbolo de alerta de seguridad indica una situación de peligro potencial que, si no se evita, puede provocar daños en la propiedad.

## Riesgos residuales

Al utilizar la herramienta, pueden presentarse riesgos residuales adicionales, que tal vez no estén incluidos en las presentes advertencias de seguridad. Estos riesgos pueden deberse al uso indebido, al uso prolongado, etc.

Aún con la aplicación de las normas de seguridad correspondientes y la implementación de los dispositivos de seguridad, existen ciertos riesgos residuales que no se pueden evitar. Estos incluyen:

- Lesiones provocadas al tocar cualquiera de las piezas móviles.
- Lesiones provocadas al tocar cualquiera de las piezas calientes.
- Lesiones provocadas al cambiar cualquier pieza o accesorio.
- Lesiones provocadas por el uso prolongado del artefacto. Al utilizar cualquier artefacto durante períodos prolongados, asegúrese de tomar descansos regulares.

## DESCRIPCIÓN DE LAS FUNCIONES

1. Interruptor de encendido/apagado

2. SmartSelect™

3. Tanque de agua

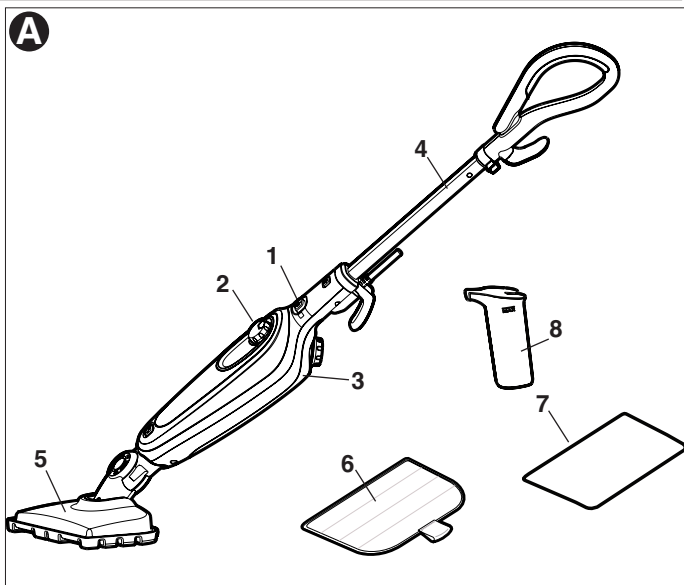
4. Tubo del mango

5. Cabezal de vapor

6. Almohadilla de limpieza de microfibra

7. Estera de apoyo

8. Recipiente para el agua



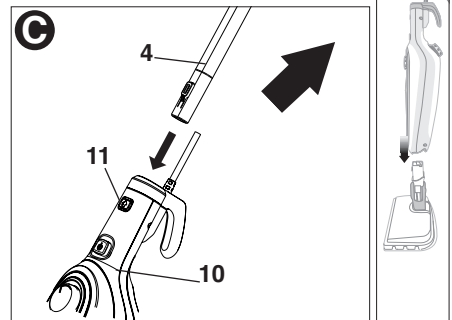
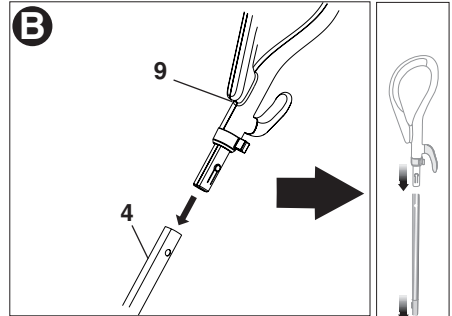
## ENSAMBLAJE

**NOTA:** Cada trapeador de vapor se somete íntegramente a pruebas en la fábrica para garantizar el rendimiento y la seguridad del producto. Al ensamblar el nuevo trapeador de vapor por primera vez, posiblemente note residuos de agua dentro de la unidad.

**⚠ ADVERTENCIA:** Antes de intentar cualquiera de las siguientes operaciones, verifique que el artefacto esté apagado y desenchufado, y que esté frío y contenga muy poca o nada de agua.

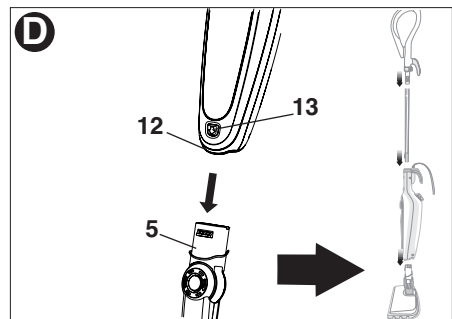
### Conexión del mango: Fig. B y C

- Deslice la agarradera (9) dentro del extremo superior del tubo del mango (4) hasta que encaje en su lugar y produzca un clic.
- Deslice el extremo inferior del tubo del mango (4) dentro del extremo superior de cuerpo del trapeador de vapor (10) hasta que encaje en su lugar y produzca un clic.
- El mango se puede retirar del cuerpo del trapeador de vapor para guardarlo fácilmente oprimiendo el botón de liberación (11) y tirando del tubo del mango (4) afuera del cuerpo del trapeador de vapor (10).



### Conexión del cabezal de vapor: Fig. D

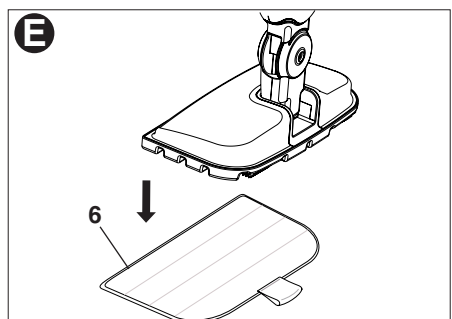
- Deslice el extremo inferior del cuerpo del trapeador de vapor (12) sobre el cabezal de vapor (5) hasta que encaje en su lugar y produzca un clic.
- El cabezal de vapor se puede retirar del cuerpo del trapeador de vapor oprimiendo el botón de liberación del cabezal de vapor (13) y tirando del cuerpo del trapeador de vapor (12) para separarlo del cabezal de vapor (5).



### Conexión de una almohadilla de limpieza: Fig. E

(La cantidad de almohadillas de limpieza varía según el modelo).

- Coloque una almohadilla de limpieza de microfibra (6) sobre el piso con el lado tipo velcro mirando hacia arriba.
- Levante el trapeador de vapor para separarlo de la estera de apoyo (7) y presiónelo levemente sobre la almohadilla de limpieza (6). Ahora está listo para limpiar e higienizar el piso con vapor.

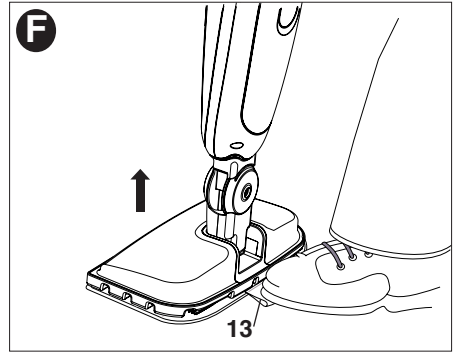


**AVISO:** Siempre coloque el trapeador de vapor sobre la estera de apoyo (7) con el mango (4) en posición vertical cuando esté inmóvil y verifique que el trapeador de vapor esté apagado cuando no esté en uso.

## Extracción de una almohadilla de limpieza: Fig. F

**PRECAUCIÓN:** Siempre use calzado adecuado al cambiar la almohadilla de limpieza del trapeador de vapor. No use zapatillas ni calzado que exponga los dedos de los pies.

- Devuelva el mango (4) a la posición vertical y apague el trapeador de vapor.
- Coloque el trapeador de vapor sobre la estera de apoyo y espere hasta que se enfríe (aproximadamente cinco minutos).
- Apoye la punta de su zapato sobre la lengüeta de extracción de la almohadilla de limpieza (13) y písela con firmeza.
- Levante el trapeador de vapor para separarlo de la almohadilla de limpieza.



**AVISO:** Siempre coloque el trapeador de vapor sobre la estera de apoyo (7) con el mango (4) en posición vertical cuando esté inmóvil y verifique que el trapeador de vapor esté apagado cuando no esté en uso.

## Llenado del tanque de agua: Fig. G, H e I

**NOTA:** Llene el tanque de agua con agua potable normal.

**NOTA:** En áreas con agua muy dura, se recomienda el uso de agua desmineralizada.

- Verifique que el artefacto esté apagado y de que el cable de alimentación esté desconectado del tomacorriente.
- Coloque el trapeador de vapor sobre la estera de apoyo (7) con el mango (4) en posición vertical.
- Retire el tapón de llenado (15) girándolo hacia la izquierda.
- Llene el tanque (3) con agua.

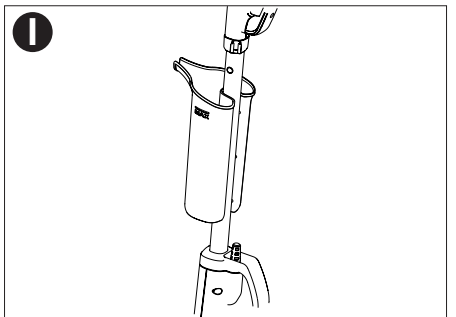
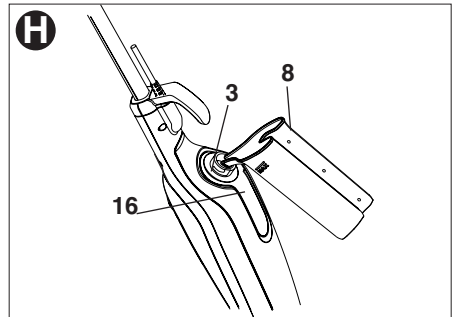
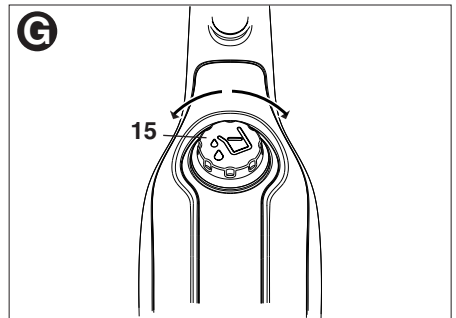
**⚠ ADVERTENCIA:** El tanque tiene una capacidad de 0,5 l (16,9 onzas). El trapeador de vapor necesita algo de espacio adicional en el tanque para producir la presión necesaria. No lo llene más allá de la marca de nivel máx. (16).

- Coloque el tapón de llenado (15) girándolo hacia la derecha.

Asegúrese de enroscar y ajustar el tapón de llenado para garantizar que el tanque reciba la presión necesaria para producir vapor.

**NOTA:** Cuando no esté en uso, la tasa para agua puede sujetarse en el mango para un práctico almacenamiento (Fig. I).

**AVISO:** Siempre vacíe el trapeador de vapor después del uso.



## OPERACIÓN

### PARA UTILIZAR SÓLO PISO Y NO UTILICE LA UNIDAD BOCA ABAJO.

#### Encendido y apagado

• Para encender el artefacto, oprima el botón de encendido/apagado (1). El trapeador de vapor se demora aproximadamente 15 segundos en calentarse.

**NOTA:** Cuando el trapeador de vapor encienda por primera vez, el depósito de agua brillará de color rojo. Una vez que el trapeador de vapor esté listo para el uso el depósito de agua brillará de color azul.

• Para apagar el artefacto, oprima el botón de encendido/apagado (1).



**AVISO:** Nunca deje el trapeador de vapor en un solo lugar, sobre cualquier superficie, durante un período indeterminado. Siempre coloque el trapeador de vapor sobre la estera de apoyo (7) con el tubo del mango (4) en posición vertical cuando esté inmóvil y verifique que el trapeador de vapor esté apagado cuando no esté en uso.

**AVISO:** Siempre vacíe el trapeador de vapor después del uso.

#### Dial SmartSelect™

El trapeador de vapor está provisto de un dial SmartSelect™ (2) que muestra diversas aplicaciones de limpieza para superficies de piso duro. Estas se utilizan para seleccionar el modo de funcionamiento correcto para su aplicación específica de limpieza en superficie de piso duro.

Al utilizar el dial SmartSelect™ (2), elija una de las aplicaciones siguientes:

	Piedra/Mármol
	Baldosas/Vinilo
	Madera/Lámina

El trapeador de vapor seleccionará el volumen de vapor correcto necesario para su operación específica de limpieza.

**⚠ ADVERTENCIA:** No lo utilice sobre pisos de madera o lámina sin impermeabilizar ya que la humedad del vapor podría provocar daños. Tampoco, en superficies que se han tratado con cera o en algunos pisos que no requieren cera, la acción del calor y el vapor puede eliminar el brillo. Siempre se recomienda hacer una prueba en un área aislada de la superficie a limpiar antes de proceder. Le recomendamos también que revise las instrucciones de uso y cuidado del fabricante del piso.

## CONSEJOS PARA UN USO ÓPTIMO

### General

**AVISO:** Nunca utilice el trapeador de vapor sin haber colocado una almohadilla de limpieza primero.

- Siempre aspire o barra el piso antes de utilizar el trapeador de vapor.
- La forma más fácil de utilizar la máquina es inclinar el mango a un ángulo de 45 grados y limpiar lentamente, cubriendo un área pequeña cada vez.
- No utilice limpiadores químicos con el trapeador de vapor. Para eliminar las manchas difíciles de los pisos de vinilo o linóleo, puede tratarlos previamente con un detergente suave y algo de agua antes de utilizar el trapeador de vapor.

### Limpieza con vapor

- Coloque una almohadilla de limpieza (6) sobre el piso con el lado tipo velcro mirando hacia arriba.
- Levante el trapeador de vapor para separarlo de la estera de apoyo (7) y presiónelo levemente sobre la almohadilla de limpieza (6).
- Coloque el trapeador de vapor sobre la estera de apoyo.

- Enchufe el trapeador de vapor en el tomacorriente.
- Gire el dial SmartSelect™ (2) al ajuste requerido.
- Oprima el botón de encendido/apagado (1). El trapeador de vapor se demora aproximadamente 15 segundos en calentarse.
- Al tirar el mango (4) hacia atrás se activará la bomba de vapor. Cuando lo utilice por primera vez, es posible que el artefacto tarde más del tiempo normal de puesta en marcha de 15 segundos para producir vapor. Esto ocurrirá únicamente durante el primer uso.
- El vapor demora unos pocos segundos en entrar en la almohadilla de limpieza. Ahora el trapeador de vapor se deslizará fácilmente sobre la superficie que se va a higienizar/limpiar.
- Mueva el trapeador de vapor lentamente hacia adelante y hacia atrás sobre el piso para limpiar cada sección del mismo minuciosamente con vapor.

**NOTA:** Durante el uso puede apagar la bomba de vapor devolviendo el mango a la posición vertical. Esta cómoda función le permitirá colocar el trapeador de vapor sobre la estera de apoyo para poder desplazar muebles sin la necesidad de apagar el artefacto.

- Cuando haya terminado de utilizar el trapeador de vapor, devuelva el mango (4) a la posición vertical y apáguelo, colóquelo sobre la estera de apoyo (7) y espere hasta que el trapeador de vapor se enfríe (aproximadamente cinco minutos).

**AVISO:** Es importante controlar el nivel de agua en el tanque. Para rellenar el tanque de agua y seguir higienizando/limpiando, devuelva el mango (4) a la posición vertical y apague el trapeador de vapor. Desenchufe la unidad del tomacorriente y rellene el tanque de agua (3) con la tasa para agua (8) provisto.

**AVISO:** Nunca deje el trapeador de vapor en un solo lugar, sobre cualquier superficie, durante un período indeterminado. Siempre coloque el trapeador de vapor sobre la estera de apoyo (7) con el mango (4) en posición vertical cuando esté inmóvil y verifique que el trapeador de vapor esté apagado cuando no esté en uso.

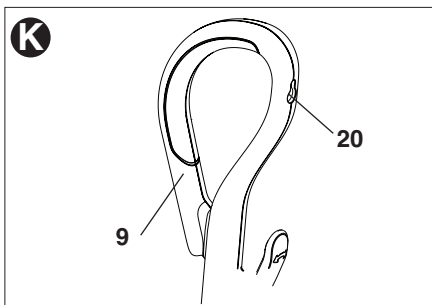
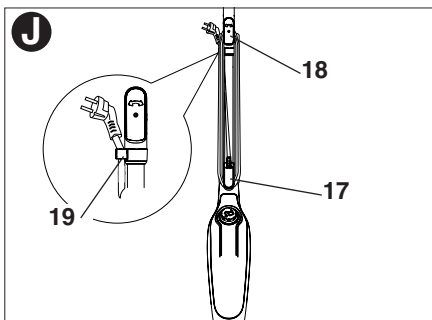
### Después del uso (Fig. J y K)

- Devuelva el mango (4) a la posición vertical y apáguelo.
- Coloque el trapeador de vapor sobre la estera de apoyo (7) y espere hasta que éste se enfríe (aproximadamente cinco minutos).
- Desenchufe el trapeador de vapor del tomacorriente.
- Vacíe el tanque de agua (3).
- Retire la almohadilla de limpieza (6) y lávela de manera que quede lista para el próximo uso. (Siga cuidadosamente las instrucciones de cuidado durante el lavado que están impresas en la almohadilla de limpieza).
- Enrolle el cable eléctrico de alimentación alrededor de los ganchos para el cable (17 y 18).

**NOTA:** El gancho superior para el cable se puede girar para liberar el cable fácilmente y prepararlo para el próximo uso.

- Enganche el cable en el sujetador para cable (19) cerca del enchufe.
- Coloque el trapeador de vapor sobre la estera de apoyo (7) para guardarlo.

**NOTA:** Con el mango (4) en posición vertical, el cable de alimentación debidamente enrollado alrededor de los ganchos para el cable (17 y 18) y asegurado en el sujetador para cable (19), el trapeador de vapor se sostendrá por sí solo para ser almacenado. Como alternativa, existe un soporte para colgar (20) integrado en el gancho superior para el cable que le permitirá colgar el trapeador de vapor en un gancho adecuado en la pared. Siempre verifique que el gancho en la pared tenga capacidad para soportar el peso del trapeador de vapor con seguridad.



## MANTENIMIENTO Y LIMPIEZA

El artefacto con cable Black & Decker se diseñó para funcionar durante un período prolongado con un mantenimiento mínimo.

El funcionamiento continuo satisfactorio depende del cuidado adecuado del artefacto y de una limpieza periódica.

**⚠ ADVERTENCIA:** Apague y desenchufe el artefacto antes de efectuar cualquier mantenimiento o limpieza en artefactos con cable.

- Limpie el artefacto con un paño suave y húmedo. Nunca permita que entre ningún líquido dentro del artefacto; nunca sumerja ninguna pieza del artefacto en un líquido. **IMPORTANTE:** Para garantizar la **SEGURIDAD** y la **CONFIABILIDAD** del producto, las reparaciones, el mantenimiento y el ajuste deben realizarse en los centros de mantenimiento autorizados o en otras organizaciones de mantenimiento calificadas, utilizando siempre piezas de repuesto idénticas.
- En el caso de marcas difíciles, puede utilizar una solución suave de jabón y agua para humedecer el paño.

### Cuidado de las almohadillas de limpieza

Instrucciones de cuidado durante el lavado. Lavar a máquina a una temperatura tibia de 16 °C (60 °F). No utilizar cloro. No utilizar suavizante para telas. Dejar secar completamente antes de volver a utilizarlas.

**AVISO:** Siga las instrucciones de limpieza impresas en la etiqueta de la almohadilla de limpieza.

## ACCESORIOS

Los accesorios recomendados para uso con el artefacto están disponibles en su distribuidor o centro de mantenimiento autorizado local. Si necesita ayuda con respecto a los accesorios, llame al: **1-800-544-6986**.

**⚠ ADVERTENCIA:** El empleo de cualquier accesorio no recomendado para uso con este artefacto puede ser peligroso.

## DETECCIÓN DE PROBLEMAS

### PROBLEMA

### CAUSA POSIBLE

### SOLUCIÓN POSIBLE

• La unidad no enciende.	<ul style="list-style-type: none"><li>• El cable no está enchufado.</li><li>• Se quema el fusible del circuito.</li><li>• Se dispara el interruptor automático.</li><li>• El cable o el interruptor</li></ul>	<ul style="list-style-type: none"><li>• Enchufe el artefacto en un tomacorriente que funcione.</li><li>• Reemplace el fusible del circuito. (Si el producto hace que el fusible del circuito se queme repetidamente, suspenda su uso de inmediato y haga que le realicen mantenimiento en un centro de mantenimiento Black &amp; Decker o en un centro de mantenimiento autorizado).</li><li>• Reinicie el interruptor automático. (Si el producto hace que el interruptor automático se dispare repetidamente, suspenda su uso de inmediato y haga que le realicen mantenimiento en un centro de mantenimiento Black &amp; Decker o en un centro de mantenimiento autorizado).</li><li>• Haga que reemplacen el cable o el interruptor en un centro de mantenimiento Black &amp; Decker o en un centro de mantenimiento autorizado.</li></ul>
• El trapeador no produce vapor.	<ul style="list-style-type: none"><li>• No hay agua en el tanque.</li><li>• El tapón del tanque de agua no está correctamente enroscado.</li></ul>	<ul style="list-style-type: none"><li>• Añada agua al tanque.</li><li>• Asegúrese de enroscar y ajustar el tapón de llenado para garantizar que el tanque reciba la presión necesaria para producir vapor.</li></ul>
• El trapeador deja un rastro de agua en el piso.	<ul style="list-style-type: none"><li>• La almohadilla de limpieza está muy mojada.</li></ul>	<ul style="list-style-type: none"><li>• Desenchufe la unidad del tomacorriente y cambie la almohadilla de limpieza de microfibra.</li></ul>
• El trapeador deja una mancha en el piso.	<ul style="list-style-type: none"><li>• El trapeador se dejó mucho tiempo en un solo lugar.</li><li>• Agua dura.</li></ul>	<ul style="list-style-type: none"><li>• Cuando no esté en uso, nunca deje el trapeador de vapor sobre el piso con una almohadilla de limpieza húmeda o mojada instalada.</li><li>• Use agua destilada.</li></ul>

### Solamente para Propósitos de México

Para conocer la ubicación del centro de servicio más cercano a fin de recibir ayuda con su producto, visite nuestro sitio Web [www.blackanddecker.com.mx](http://www.blackanddecker.com.mx) o llame a la línea de ayuda BLACK & DECKER al **01 800 847 2309/01 800 847 2312**.

## INFORMACIÓN DE MANTENIMIENTO

Todos los Centros de servicio de Black & Decker cuentan con personal altamente capacitado dispuesto a brindar a todos los clientes un servicio eficiente y confiable en la reparación de herramientas eléctricas. Si necesita consejo técnico, reparaciones o piezas de repuesto originales de fábrica, póngase en contacto con el centro de servicio de Black & Decker más cercano a su domicilio. Para ubicar su centro de servicio local, consulte la sección "Herramientas eléctricas" (Tools-Electric) de las páginas amarillas, llame al **1-800-544-6986** o visite nuestro sitio **www.blackanddecker.com**.

## GARANTÍA COMPLETA DE DOS AÑOS PARA USO EN EL HOGAR

Black & Decker (Estados Unidos) Inc. ofrece una garantía de dos años por cualquier defecto del material o de fabricación de este producto. El producto defectuoso se reparará o reemplazará sin costo alguno de dos maneras.

La primera opción, el reemplazo, es devolver el producto al comercio donde se adquirió (siempre y cuando se trate de un comercio participante). Las devoluciones deben realizarse conforme a la política de devolución del comercio (generalmente, entre 30 y 90 días posteriores a la venta). Le pueden solicitar comprobante de compra. Consulte en el comercio acerca de la política especial sobre devoluciones una vez excedido el plazo establecido.

La segunda opción es llevar o enviar el producto (con flete pago) a un Centro de servicio propio o autorizado de Black & Decker para su reparación o reemplazo según nuestro criterio. Le pueden solicitar el comprobante de compra. Los Centros de servicio autorizados y de propiedad de Black & Decker se detallan en la sección

"Herramientas eléctricas" (Tools-Electric) de las páginas amarillas de la guía telefónica.

Esta garantía no se extiende a los accesorios. Esta garantía le concede derechos legales específicos; usted puede tener otros derechos que pueden variar según el estado o la provincia. Si tiene alguna pregunta, comuníquese con el gerente del Centro de servicio de Black & Decker de su zona. Este producto no está diseñado para uso comercial.

**AMÉRICA LATINA:** esta garantía no se aplica a los productos que se venden en América Latina. Para los productos que se venden en América Latina, debe consultar la información de la garantía específica del país que viene en el empaque, llamar a la compañía local o visitar el sitio Web a fin de obtener esa información.



**· GARANTÍA BLACK & DECKER · BLACK & DECKER WARRANTY  
· SOLAMENTE PARA PROPOSITOS DE MEXICO**

---

Distributor Name · *Sello firma del distribuidor*

---

Date of purchase · *Fecha de compra*

*Invoice No. · No. de factura*

---

**PRODUCT INFORMATION · IDENTIFICACIÓN DEL PRODUCTO**

Cat. No. · *Catalogo ó Modelo*

*Serial Number · No. de serie*

---

Name · *Nombre*

*Last Name · Apellido*

---

Address · *Dirección*

---

City · *Ciudad*

*State · Estado*

---

Postal Code · *Código Postal*

*Country · País*

---

Telephone · *No. Teléfono*

---

**2 AÑOS DE GARANTIA**

Este producto cuenta con dos años de garantía a partir de la fecha de compra contra cualquier defecto de su funcionamiento, así como cualquier falla debido a materiales empleados para su fabricación ó mano de obra defectuosa.

Nuestra garantía incluye la reparación o reposición del producto y/o componentes sin cargo alguno para el cliente incluyendo la mano de obra, esta incluye los gastos de trasportación erogados para lograr cumplimiento de esta garantía en los domicilios diversos señalados.

Para hacer efectiva esta garantía deberá presentar su herramienta y esta póliza sellada por el establecimiento comercial donde se adquirió el producto.

Nos comprometemos a entregar el producto en un lapso no mayor a 30 días hábiles contados a partir de la fecha de recepción del mismo en nuestros talleres de servicio autorizados.

**ESTA GARANTIA NO APLICA CUANDO:**

El producto se hubiese utilizado en condiciones distintas a las normales.

El producto no hubiese sido operado de acuerdo con el instructivo de uso que se acompaña.

El producto hubiese sido alterado o reparado por personas no autorizadas por nosotros.

Importador: Black & Decker S.A. de .C.V  
Bosque de Cidros Acceso Radiatas No.42  
3ra.Seccion de Bosques de las lomas  
C.P.05120, Mexico, D.F. Tel: (01 55) 5326 7100

## SOLAMENTE PARA PROPOSITOS DE MEXICO

**Grupo Realsa en herramientas,  
S.A. de C.V.**  
Súper Manzana 69 MZ.01 Lote 30  
(Av. Torcasita)  
Col. Puerto Juárez  
Cancún, Quintana Roo  
Tel. 01 998 884 72 27

**Ferre Pat de Puebla, S.A. de C.V.**  
16 de Septiembre No. 6149  
Col. El Cerrito  
Puebla, Puebla  
Tel. 01 222 264 12 12

**Ferre Pat de Puebla, S.A. de C.V.**  
Ejército Mexicano No. 15  
Col. Ejido 1ro. de Mayo  
Boca del Rio, Veracruz  
Tel. 01 229 167 89 89

**Servicio de Fabrica Black & Decker,  
S.A. de C.V.**  
Lázaro Cardenas No. 18  
Col. Obrera  
Distrito Federal  
Tel. 55 88 95 02

**Representaciones Industriales Robles,  
S.A. de C.V.**  
Tezozomoc No. 89  
Col. La Preciosa  
Distrito Federal  
Tel. 55 61 86 82

**Gpo. Comercial de Htas. y Refacciones  
de Occidente, S.A. de C.V.**  
Av. La Paz No. 1779  
Col. Americana, S. Juaréz  
Guadalajara, Jalisco  
Tel. 01 33 38 25 69 78

**Herramientas y Equipos Profesionales**  
Av. Colón 2915 Ote.  
Col. Francisco I. Madero  
Monterrey, Nvo. León  
Tel. 01 81 83 54 60 06

**Htas. Portátiles de Chihuahua,  
S.A. de C.V.**  
Av. Universidad No. 2903  
Col. Fracc. Universidad  
Chihuahua, Chihuahua  
Tel. 01 614 413 64 04

**Fernando González Armenta**  
Bolivia No. 605  
Col. Felipe Carrillo Puerto  
Cd. Madero, Tampico  
Tel. 01 833 221 34 50

**Perfiles y Herramientas de Morelia**  
Gertrudis Bocanegra No. 898  
Col. Ventura Puente  
Morelia, Michoacán  
Tel. 01 443 313 85 50

**Enrique Robles**  
Av. de la Solidaridad No. 12713  
Col. La Pradera  
Irapuato, Guanajuato  
Tel. 01 462 626 67 39

**Hernández Martínez Jeanette**  
Prolongación Corregidora Nte. No. 1104  
Col. Arboledas  
Queretaro, Qro.  
Tel. 01 442 245 25 80

**PARA OTRAS LOCALIDADES LLAME AL 01 800 847 2309 o 01 800 847 2312.**

**Vea "Herramientas  
eléctricas (Tools-Electric)"  
– Páginas amarillas –  
para Servicio y ventas**



**BLACK & DECKER S.A. DE C.V.**  
BOSQUES DE CIDROS ACCESO RADIATAS NO. 42  
COL. BOSQUES DE LAS LOMAS.  
05120 MÉXICO, D.F.  
TEL. (01 55) 5326 7100  
01 800 847 2309/01 800 847 2312

## Free Manuals Download Website

<http://myh66.com>

<http://usermanuals.us>

<http://www.somanuals.com>

<http://www.4manuals.cc>

<http://www.manual-lib.com>

<http://www.404manual.com>

<http://www.luxmanual.com>

<http://aubethermostatmanual.com>

Golf course search by state

<http://golfingnear.com>

Email search by domain

<http://emailbydomain.com>

Auto manuals search

<http://auto.somanuals.com>

TV manuals search

<http://tv.somanuals.com>