



V-2 MILLION POWER SERIES™ SPOTLIGHT **INSTRUCTION MANUAL**



Catalog Number VEC157BD

Thank you for choosing Black & Decker!
Go to www.BlackandDecker.com/NewOwner
to register your new product.

PLEASE READ BEFORE RETURNING THIS PRODUCT FOR ANY REASON:

If you have a question or experience a problem with your Black & Decker purchase, go to
[HTTP://WWW.BLACKANDDECKER.COM/INSTANTANSWERS](http://WWW.BLACKANDDECKER.COM/INSTANTANSWERS)
for instant answers 24 hours a day.

If you can't find the answer or do not have access to the internet,
call 1-800-544-6986 from 8 a.m. to 5 p.m. EST Mon. -- Fri. to speak with an agent.
Please have the catalog number available when you call.

SAVE THIS INSTRUCTION MANUAL FOR FUTURE REFERENCE.

VEA EL ESPAÑOL EN LA CONTRAPORTADA.

INSTRUCTIVO DE OPERACIÓN, CENTROS DE SERVICIO Y PÓLIZA DE GARANTÍA.
ADVERTENCIA: LÉASE ESTE INSTRUCTIVO ANTES DE USAR EL PRODUCTO.

Cat. # VEC157BD
Nov. 2009

Form # 90558476
Copyright © 2009 Black & Decker

Printed in China

⚠ GENERAL SAFETY WARNINGS AND INSTRUCTIONS FOR ALL APPLIANCES

READ ALL INSTRUCTIONS

⚠ **WARNING:** Read all instructions before operating product. Failure to follow all instructions listed below may result in electric shock, fire and/or serious injury.

- **AVOID DANGEROUS ENVIRONMENTS.** Don't use appliances in damp or wet locations. Don't use appliances in the rain.
- **KEEP CHILDREN AWAY.** All visitors should be kept at a distance from work area.
- **STORE IDLE APPLIANCES INDOORS.** When not in use, appliances should be stored indoors in dry, and high or locked-up place – out of reach of children.
- **DON'T FORCE APPLIANCE.** It will do the job better and with less likelihood of a risk of injury at the rate for which it was designed.
- **USE RIGHT APPLIANCE.** Do not use the appliance for any job except that for which it is intended.
- **DRESS PROPERLY.** Do not wear loose clothing or jewelry. They can be caught in moving parts. Rubber gloves and substantial, non-skid footwear are recommended when working outdoors. Wear protective hair covering to contain long hair.
- **USE SAFETY GLASSES AND OTHER SAFETY EQUIPMENT.** Use safety goggles or safety glasses with side shields, complying with applicable safety standards and, when needed, a face shield. Also use face or dust mask if operation is dusty. This applies to all persons in the work area. Also use a hard hat, hearing protection, gloves, safety shoes and dust collection systems when specified or required. Safety glasses or the like are available at extra cost at your local dealer or Black & Decker Service Center.
- **DON'T ABUSE CORD.** Never carry appliance by cord or yank it to disconnect from receptacle. Keep cord from heat, oil, and sharp edges.
- **DON'T OVERREACH.** Keep proper footing and balance at all times.
- **DISCONNECT APPLIANCES.** Disconnect the appliance from the power supply when not in use, before servicing, and when changing accessories such as blades and the like.
- **AVOID UNINTENTIONAL STARTING.** Don't carry plugged-in appliance with finger on switch. Be sure switch is off when plugging in.
- **GROUND FAULT CIRCUIT INTERRUPTER (GFCI)** protection should be provided on the circuits or outlets to be used. Receptacles are available having built in GFCI protection and may be used for this measure of safety.
- **USE OF ACCESSORIES AND ATTACHMENTS.** The use of any accessory or attachment not recommended for use with this appliance could be hazardous. Note: Refer to the accessory section of this manual for further details.
- **STAY ALERT.** Watch what you are doing. Use common sense. Do not operate tool when you are tired.
- **CHECK DAMAGED PARTS.** Before further use of the tool, a guard or other part that is damaged should be carefully checked to determine that it will operate properly and perform its intended function. Check for alignment of moving parts, binding of moving parts, breakage of parts, mounting, and any other conditions that may affect its operation. A guard or other part that is damaged should be properly repaired or replaced by an authorized service center unless otherwise indicated elsewhere in this instruction manual. Have defective switches replaced by authorized service center. Do not use tool if switch does not turn it on and off.
- **DO NOT OPERATE** portable electric tools near flammable liquids or in gaseous or explosive atmospheres. Motors in these tools normally spark, and the sparks might ignite fumes.
- **OUTDOOR USE EXTENSION CORDS.** When tool is used outdoors, use only extension cords intended for use outdoors and so marked.

Minimum Gauge for Cord Sets					
Volts		Total Length of Cord in Feet			
120V	0-25	26-50	51-100	101-150	
	(0-7,6m)	(7,6-15,2m)	(15,2-30,4m)	(30,4-45,7m)	
240V	0-50	51-100	101-200	201-300	
	(0-15,2m)	(15,2-30,4m)	(30,4-60,9m)	(60,9-91,4m)	
Ampere Rating					
More Than	Not more Than	American Wire Gauge			
0 -	6	18	16	16	14
6 -	10	18	16	14	12
10 -	12	16	16	14	12
12 -	16	14	12	Not Recommended	

- **EXTENSION CORDS.** Make sure your extension cord is in good condition. When using an extension cord, be sure to use one heavy enough to carry the current your product will draw. An undersized cord will cause a drop in line voltage resulting in loss of power and overheating. The following table shows the correct size to use depending on cord length and nameplate ampere rating. If in doubt, use the next heavier gauge. The smaller the gauge number, the heavier the cord.

SAFETY GUIDELINES / DEFINITIONS

- ⚠ **DANGER:** Indicates an imminently hazardous situation which, if not avoided, will result in death or serious injury.
 - ⚠ **WARNING:** Indicates a potentially hazardous situation which, if not avoided, could result in death or serious injury.
 - ⚠ **CAUTION:** Indicates a potentially hazardous situation which, if not avoided, may result in minor or moderate injury.
- CAUTION:** Used without the safety alert symbol indicates potentially hazardous situation which, if not avoided, may result in property damage.

RISK OF UNSAFE OPERATION. When using tools or equipment, basic safety precautions should always be followed to reduce the risk of personal injury. Improper operation, maintenance or modification of tools or equipment could result in serious injury and property damage. There are certain applications for which tools and equipment are designed. Black & Decker strongly recommends that this product NOT be modified and/or used for any application other than for which it was designed. Read and understand all warnings and operating instructions before using any tool or equipment.

IMPORTANT SAFETY INSTRUCTIONS

⚠ **WARNING:** This product or its power cord contains lead, a chemical known to the State of California to cause cancer and birth defect or other reproductive harm. Wash hands after handling.

FOR HOUSEHOLD USE ONLY

INSTRUCTIONS PERTAINING TO RISK OF FIRE, ELECTRIC SHOCK, OR INJURY TO PERSONS

⚠ **WARNING – WHEN USING ELECTRICAL APPLIANCES, BASIC PRECAUTIONS SHOULD ALWAYS BE FOLLOWED, INCLUDING THE FOLLOWING:**

- A) READ THE INSTRUCTIONS BEFORE USING THE APPLIANCE.
- B) TO REDUCE THE RISK OF INJURY, CLOSE SUPERVISION IS NECESSARY WHEN AN APPLIANCE IS USED NEAR CHILDREN.
- C) USE ONLY ATTACHMENTS RECOMMENDED OR SOLD BY THE MANUFACTURER.
- D) DO NOT USE OUTDOORS.
- E) TO REDUCE THE RISK OF ELECTRICAL SHOCK, DO NOT PUT SPOTLIGHT IN WATER OR OTHER LIQUID. DO NOT PLACE OR STORE APPLIANCE WHERE IT CAN FALL OR BE PULLED INTO A TUB OR SINK.
- F) ALWAYS UNPLUG BEFORE REPLACING THE LAMP. ONLY REPLACE BULB WITH TYPE RATED 12 VOLT, H3 75 WATT QUARTZ HALOGEN.
- G) USE ONLY THE CHARGER SUPPLIED BY THE MANUFACTURER TO RECHARGE.
- H) IF AN EXTENSION CORD IS USED:
 1. The marked rating of the detachable power supply cord or extension cord should be at least as great as the electrical rating of this appliance.
 2. The cord should be arranged so that it will not drape over the countertop or tabletop where it can be tripped over, snagged, or pulled on unintentionally (especially by children).
 3. The extension cord should be kept dry and off the ground.
 4. Do not clean this appliance with a water spray or the like.

⚠ **WARNING: TO REDUCE THE RISK OF ELECTRIC SHOCK:**

Do not plug in a power supply without the bulb lens and cover in place.

⚠ **WARNING: FIRE HAZARD:** Never contact combustible material to the lens and never tape or tie the switch in the on position.

⚠ **CAUTION: TO REDUCE THE RISK OF INJURY OR PROPERTY DAMAGE:**

- All halogen lights give off heat:
 - Do not touch lens while operating.
 - Keep combustibles away from spotlight lens. Extreme heat can cause fires.
 - Never place the light face-down on any surface when lit.
- Never look directly into the light or shine the light into another person's eyes.

- Keep sharp objects away from lens — it is glass and can break.
- Do not immerse spotlight in water.
- Do not drop or throw spotlight. It contains glass and a sealed lead acid battery.
- Only replace bulb with type indicated in specifications (12 volt, H3 75 watt quartz halogen).
- Use only with AC or DC charging adapters that are provided with unit. Plug in the charging adapter at the spotlight first, then plug into the charging source.
- Do not overcharge:
 - AC recharge up to 30 hours maximum.
 - DC recharge up to 4 hours maximum.
- NEVER ATTEMPT TO USE THE AC CHARGER AND DC CHARGING PORT SIMULTANEOUSLY.
- After charging/recharging, disconnect charging adapter or extension cord and wait 5 minutes before use.
- Do not crush, cut, pull or expose charging adapter cords to extreme heat.
- Position charging adapter cords so they do not become entangled or become a safety hazard. Keep charging adapter cords away from sharp edges.
- Use in a dry location only.
- Do not open body casing. There are no user-serviceable parts inside.
- To reduce risk of damage to electric plug and cord, pull by plug rather than cord when disconnecting from the 120 Volt AC Charger.
- Do not attempt to charge the unit if the 120 Volt AC Charger plug is damaged – return the unit to manufacturer for repair.

⚠ WARNING: TO REDUCE THE RISK OF INJURY:

- Follow these instructions and those published by the manufacturer of any equipment you intend to use with this unit. Review cautionary markings on these products.

SAVE THESE INSTRUCTIONS

INTRODUCTION

Thank you for choosing the **Black & Decker® V-2 Million Power Series™ Spotlight**. Please read this guide carefully before use to ensure optimum performance and to avoid damage to the unit.

FEATURES

- Powerful, focused quartz halogen beam
- LED area lights
- Protective rubber safety guard (bezel) around lens
- Rubber safety cap protects battery compartment
- Comfortable pistol grip and lanyard
- Battery Status LED Indicator
- UL listed, built-in 120 volt AC charger that works with a standard household extension cord (not included)
- 12 volt DC charging adapter included
- Rechargeable, non-spillable, sealed lead acid battery

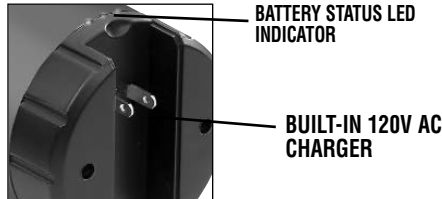


CHARGING/RECHARGING THE SPOTLIGHT

This unit is shipped in a partially charged state. Charge unit BEFORE first use using the 120 Volt AC Charger for 20-30 hours or until the green Battery Status LED flashes. Charge after each use until green LED flashes.

Charging/Recharging Using the 120 Volt AC Charger and a Standard Household Extension Cord (not included)

Plug a standard North American 120 volt AC extension cord (not included) into the 120 Volt AC Charger on the back of the unit.



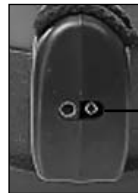
Make sure the Spotlight is OFF (the Trigger Lock is in the OFF position and the Trigger is not depressed). Charge until the Battery Status LED Indicator green LED flashes (approximately 20-30 hours). DO NOT CHARGE FOR LONGER THAN 30 HOURS.

Charging/Recharging Using the 12 Volt DC Charging Adapter

Plug the barrel tip of the supplied 12 Volt DC Charging Adapter into the 12 Volt DC Charging Port.



12 VOLT DC CHARGING ADAPTER



12 VOLT DC CHARGING PORT

Insert the 12 volt DC plug end into the accessory outlet of your vehicle or other 12 volt DC power source.

Make sure the Spotlight is OFF (the Trigger Lock is in the OFF position and the Trigger is not depressed).

Charge until the Battery Status LED Indicator green LED lights when the LED AREA LIGHTS pushbutton is pressed (approximately 3-4 hours). DO NOT CHARGE FOR LONGER THAN 4 HOURS.

Make sure the DC source (jump-starter, battery pack, vehicle accessory outlet, etc.) is 12 volt DC and is able to supply at least one half amp at 12 volt DC for 8 hours. This means a battery pack should be charged with at least 4 amp hours capacity.

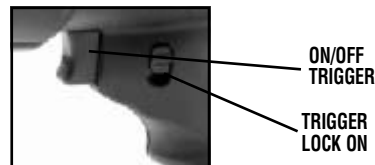
Note: When using a vehicle's 12 volt DC accessory outlet as a charging source, be aware that some vehicles require you to turn on the ignition to power the accessory outlet.

⚠ WARNING: NEVER ATTEMPT TO USE THE AC CHARGER AND DC CHARGING PORT SIMULTANEOUSLY.

OPERATING INSTRUCTIONS

Operating the Spotlight

1. Disconnect from charger.
2. The ON/OFF trigger is located in the front of the pistol-grip handle of the spotlight.
3. To turn the spotlight ON, squeeze the trigger.
4. To turn OFF the spotlight, release the trigger.



Note: The ON/OFF trigger can be locked in the ON position using the trigger lock ON switch on the side of the unit.

Operating the LED Area Lights

The ON/OFF pushbutton for the LED Area Lights is located on the top of the Spotlight.

Using the Built-In Carry Lanyard

The Carry Lanyard may be used to store or carry the Spotlight. Adjust the slide on the cords to keep the Lanyard secure around the supporting object.

CARE AND MAINTENANCE

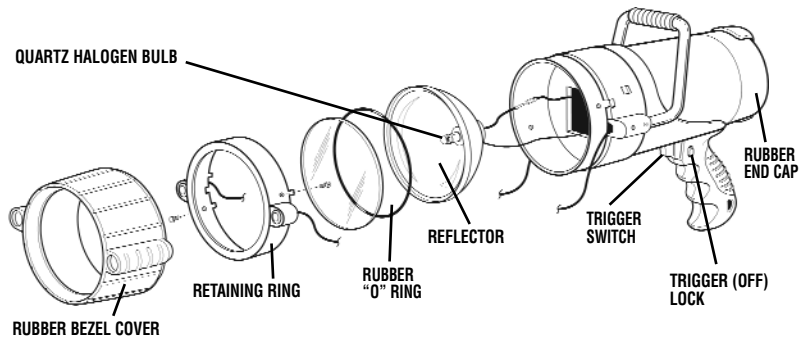
All batteries lose charge with time, especially when they are warm. Recharge the unit every two months when not in frequent use, preferably using the 120 volt AC method.

Never submerge the unit in water. If the unit gets dirty, gently clean the outer surfaces of the spotlight unit with a soft cloth moistened with a mild solution of water and detergent.

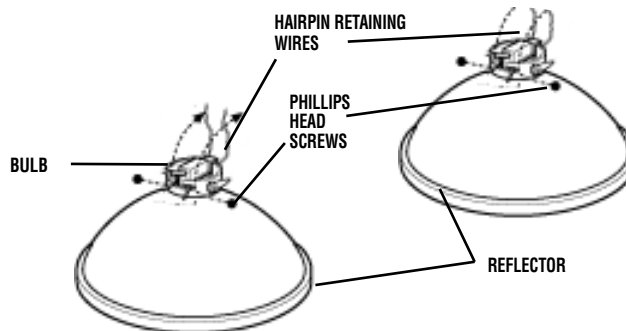
The quartz halogen bulb is the only user-replaceable part in the Spotlight. Periodically inspect the condition of adapters, connectors and wires. Contact Technical Support toll-free at 1-800-544-6986 to replace any components that have become worn or broken.

Spotlight Bulb Replacement

To replace the bulb, you will need a small Phillips screwdriver and a 12 volt, H3 75 watt replacement bulb. During installation, avoid touching the glass part of the bulb. Bulb life may be shortened by installing a bulb with dirt or fingerprints on it. The bulb can be wiped clean with a cloth moistened with alcohol.



1. Disconnect the unit from any charging adapters.
2. Push the rubber bezel forward toward the front of the spotlight to reveal two small Phillips screws in the retaining ring.
3. Using the screwdriver, remove (counterclockwise) the two screws. Set them aside.
4. Lift off the retaining ring, glass lens and rubber "O" ring and set them aside.
5. Carefully remove the reflector and bulb assembly.



6. Disconnect the bulb wire from the red power wire.
7. Unsnap the hairpin retaining wires from the reflector's flange.
8. Using the screwdriver, loosen the retaining screw to remove the bulb from the reflector (no need to completely remove this screw).
9. Lift out the bulb and detach wire.
10. Insert the replacement bulb into the reflector's flange.

11. Put back and secure the hairpin retaining wires.
 12. Connect the bulb power wire to the red power wire.
 13. Tighten the retaining screw on the flange.
 14. Place the reflector in position in the body of the spotlight.
 15. Replace the rubber "O" ring in the groove around the perimeter of the reflector.
 16. Replace glass and retaining ring so the screw holes are aligned.
 17. Secure retaining ring with two screws.
 18. Replace rubber bezel.
 19. Operate switch to ensure proper operation of spotlight.
- ⚠ WARNING:** To reduce the risk of electric shock, replace bulb with 12 volt, H3 75 watt only.

Battery Replacement/Disposal

Battery Replacement

The battery should last the service life of the unit. Contact Technical Support toll-free at 1-800-544-6986 for any information you may need.

Safe Battery Disposal

Contains a maintenance-free, sealed, non-spillable, lead acid battery, which must be disposed of properly. Recycling is required, contact your local authority for information. Failure to comply with local, state and federal regulations can result in fines, or imprisonment.



⚠ WARNINGS:

- Do not dispose of the battery in fire as this may result in an explosion.
- Before disposing of the battery, protect exposed terminals with heavy-duty electrical tape to prevent shorting (shorting can result in injury or fire).
- Do not expose battery to fire or intense heat as it may explode.
- For more information on recycling this battery, call toll-free (877) 288-7722.

12 Volt DC Charging Adapter Plug Fuse Replacement

The fuse in the plug end of the 12 Volt DC Charging Adapter protects the adapter's charging circuit. If the 120 Volt AC Charger operates, but the DC charging adapter does not, then this fuse may be opened (blown).

To replace the fuse:

1. Unscrew the end cap of the DC plug (counterclockwise).
2. Remove spring center contact and fuse.
3. Check fuse with a continuity checker.
4. If blown, locate a replacement 8 amp/250 volt fuse.
5. Replace the fuse, spring, contact and end cap.
6. Screw end cap clockwise until it is finger tight – DO NOT OVER-TIGHTEN.
7. Test for proper operation of the 12 Volt DC Charging Adapter.

TROUBLESHOOTING

The Battery Status Indicator LED Does Not Light When Charging

1. Check connection to the 120 Volt AC Charger or 12 Volt DC Charging Port.
2. Check connection to AC or DC power source.
3. Confirm there is a functioning AC or DC current.

Unit Will Not Operate

1. The Spotlight will not operate when charging. Be sure all adapters are disconnected before Spotlight use.
2. If you suspect the bulb is blown, check the filament. If the filament is coiled and unbroken, the bulb is not blown. If bulb is blown, replace it.
3. The battery may be completely discharged. Charge the unit following the directions on page 4.
4. If the Spotlight does not operate after recharging as directed, contact Technical Support toll-free at **1-800-544-6986**.

For assistance with your product, visit our website www.blackanddecker.com for the location of the service center nearest you or call the BLACK & DECKER help line at **1-800-544-6986**.

Accessories

Recommended accessories for use with your tool are available from your local dealer or authorized service center. If you need assistance regarding accessories, please call: **1-800-544-6986**.

⚠ WARNING: The use of any accessory not recommended for use with this tool could be hazardous.

SERVICE INFORMATION

All Black & Decker Service Centers are staffed with trained personnel to provide customers with efficient and reliable power tool service. Whether you need technical advice, repair, or genuine factory replacement parts, contact the Black & Decker location nearest you. To find your local service location, refer to the yellow page directory under "Tools-Electric" or call: **1-800-544-6986** or visit www.blackanddecker.com.

FULL ONE YEAR HOME USE WARRANTY

Black & Decker (U.S.) Inc. warrants this product for one year against any defects in material or workmanship. The defective product will be replaced or repaired at no charge in either of two ways.

The first, which will result in exchanges only, is to return the product to the retailer from whom it was purchased (provided that the store is a participating retailer). Returns should be made within the time period of the retailer's policy for exchanges (usually 30 to 90 days after the sale). Proof of purchase may be required. Please check with the retailer for their specific return policy regarding returns that are beyond the time set for exchanges.

The second option is to take or send the product (prepaid) to a Black & Decker owned or authorized Service Center for repair or replacement at our option. Proof of purchase may be required. Black & Decker owned and authorized Service Centers are listed under "Tools-Electric" in the yellow pages of the phone directory and on our website www.blackanddecker.com.

This warranty does not apply to accessories. This warranty gives you specific legal rights and you may have other rights which vary from state to state or province to province. Should you have any questions, contact the manager of your nearest Black & Decker Service Center. This product is not intended for commercial use.

FREE WARNING LABEL REPLACEMENT: If your warning labels become illegible or are missing, call **1-800-544-6986** for a free replacement.

SPECIFICATIONS

Spotlight Bulb:	12 volt, H3 series, 75 watt
Battery:	Maintenance-free, sealed lead acid, 12 volt, 3 amp hour
AC Charger:	UL Listed Class 2, 12 volt DC (300 mA)
DC Plug Fuse:	8 A/250 V

Imported by
Black & Decker (U.S.) Inc.,
701 E. Joppa Rd.
Towson, MD 21286 U.S.A.



See 'Tools-
Electric'
- Yellow Pages -
for Service &
Sales



 **BLACK & DECKER®**

PROJECTEUR V-2 MILLION POWER SERIES™
MODE D'EMPLOI



Numéro de catalogue :
VEC157BD

Merci d'avoir choisi Black & Decker!
Consulter le site Web
www.BlackandDecker.com/NewOwner
pour enregistrer votre nouveau produit.

**À LIRE AVANT DE RETOURNER CE PRODUIT
POUR QUELQUE RAISON QUE CE SOIT :**

Si des questions ou des problèmes surgissent après l'achat d'un produit Black & Decker,
consulter le site Web

[HTTP://WWW.BLACKANDDECKER.COM/INSTANTANSWERS](http://WWW.BLACKANDDECKER.COM/INSTANTANSWERS)

pour obtenir des réponses instantanément 24 heures par jour.

Si la réponse est introuvable ou en l'absence d'accès à Internet, composer le
1-800-544-6986 de 8 h à 17 h HNE, du lundi au vendredi, pour parler avec un agent.

Prière d'avoir le numéro de catalogue sous la main lors de l'appel.

CONSERVER CE MANUEL POUR UN USAGE ULTÉRIEUR.

⚠ DIRECTIVES ET AVERTISSEMENTS DE SÉCURITÉ GÉNÉRAUX POUR TOUS LES APPAREILS ÉLECTRIQUES

LIRE TOUTES CES DIRECTIVES

⚠ AVERTISSEMENT : lire toutes les directives avant d'utiliser le produit. Négliger de suivre toutes les directives suivantes peut entraîner des risques de décharges électriques, d'incendie et/ou de blessures graves.

- **ÉVITER LES CONDITIONS ENVIRONNEMENTALES DANGEREUSES.** Ne pas utiliser d'appareils électriques dans un endroit humide ou mouillé. Ne pas utiliser les appareils électriques sous la pluie.
- **TENIR LES ENFANTS À L'ÉCART.** Tous les visiteurs doivent se tenir éloignés de la zone de travail.
- **RANGER LES APPAREILS ÉLECTRIQUES INUTILISÉS À L'INTÉRIEUR.** Lorsqu'ils ne sont pas utilisés, les appareils électriques doivent être rangés à l'intérieur dans un endroit sec, élevé ou dans un endroit verrouillé, hors de la portée des enfants.
- **NE PAS FORCER L'APPAREIL ÉLECTRIQUE.** Il fera un meilleur travail à la vitesse pour laquelle il a été conçu, et ce, sans risque de blessure.
- **UTILISER L'APPAREIL ÉLECTRIQUE APPROPRIÉ.** Ne pas utiliser l'appareil électrique pour une autre application que celle pour laquelle il a été prévu.
- **S'HABILLER DE MANIÈRE APPROPRIÉE.** Ne pas porter de vêtements amples ni de bijoux. Ils peuvent s'enchevêtrer dans les pièces mobiles. Des gants de caoutchouc et des chaussures antidérapantes robustes sont recommandés pour les travaux à l'extérieur. Couvrir les cheveux s'ils sont longs.
- **UTILISER DES LUNETTES DE SÉCURITÉ ET TOUT AUTRE ÉQUIPEMENT DE SÉCURITÉ.** Utiliser des lunettes de sécurité ou des lunettes à coques conformes aux normes en matière de sécurité et, le cas échéant, un protecteur facial. Utiliser également un masque facial ou antipoussières si l'opération génère de la poussière. Ces directives s'appliquent à toutes les personnes dans la zone de travail. Utiliser aussi un casque de sécurité, des protecteurs auditifs, des gants, des chaussures de sécurité et des systèmes de dépoussiérage lorsque leur utilisation est prévue ou exigée. Des lunettes de sécurité ou des accessoires similaires sont vendus séparément par le détaillant local ou le centre de réparation Black & Decker.
- **NE PAS UTILISER LE CORDON D'ALIMENTATION DE FAÇON ABUSIVE.** Ne jamais transporter l'appareil électrique par son cordon ou tirer sur ce dernier pour le débrancher de la prise. Tenir le cordon éloigné de la chaleur, de l'huile et des bords tranchants.
- **NE PAS TROP TENDRE LES BRAS.** Conserver son équilibre en tout temps.
- **DÉBRANCHER LES APPAREILS ÉLECTRIQUES.** Débrancher l'appareil électrique de la source d'alimentation lorsqu'il n'est pas utilisé, avant d'effectuer une réparation et avant de changer les accessoires tels que les lames, etc.
- **ÉVITER LES RISQUES DE DÉMARRAGE ACCIDENTEL.** Ne pas transporter l'appareil électrique branché tandis que le doigt repose sur l'interrupteur. S'assurer que l'interrupteur est à la position arrêt au moment de brancher l'appareil.
- **UN DISJONCTEUR DE FUITE DE TERRE** doit être installé pour protéger les circuits ou les prises utilisés. Des prises avec disjoncteur de fuite de terre intégré sont aussi disponibles et peuvent être utilisées comme mesure de sécurité.
- **UTILISATION D'ACCESSOIRES ET DE PIÈCES DÉTACHÉES.** L'utilisation de tout accessoire ou pièce non recommandés avec cet appareil électrique pourrait s'avérer dangereuse. Remarque : pour de plus amples renseignements, voir la rubrique Accessoires de ce mode d'emploi.
- **DEMEURER VIGILANT.** Surveiller son travail. Faire preuve de jugement. Ne pas utiliser l'appareil en cas de fatigue.
- **VÉRIFIER LES PIÈCES ENDOMMAGÉES.** Si un dispositif de protection, ou toute autre pièce, est endommagé, il faudra faire examiner soigneusement l'appareil avant toute utilisation ultérieure afin d'assurer un fonctionnement adéquat selon sa fonction prévue. Vérifier l'alignement des pièces mobiles, les situations de grippage des pièces mobiles et de rupture de pièces, l'assemblage et toute autre situation pouvant nuire au fonctionnement de l'appareil. Un dispositif de protection endommagé, ou toute autre pièce endommagée, doit être réparé ou remplacé adéquatement par un centre de réparation autorisé à moins d'un avis contraire indiqué dans le présent mode d'emploi. Faire remplacer les interrupteurs défectueux dans un centre de réparation autorisé. Ne pas utiliser l'outil si l'interrupteur ne fonctionne pas.
- **NE PAS UTILISER** d'outils électriques portatifs à proximité de liquides inflammables ou dans un milieu gazeux ou déflagrant. Les moteurs de ces outils produisent normalement des étincelles susceptibles d'enflammer des émanations.
- **RALLONGES POUR UTILISATION EXTÉRIEURE.** Si l'appareil est utilisé à l'extérieur, utiliser uniquement des rallonges prévues à cet effet et ainsi marquées.

Tension	Calibre minimum pour une rallonge			
	Longueur totale de la rallonge en pieds			
120V	0-25 (0 à 7,6m)	26-50 (7,6 à 15,2m)	51-100 (15,2 à 30,4m)	101-150 (30,4 à 45,7m)
240V	0-50 (0 à 15,2m)	51-100 (15,2 à 30,4m)	101-200 (30,4 à 60,9m)	201-300 (60,9 à 91,4m)
Intensité nominale	Calibrage américain normalisé des fils			
Plus de	Pas plus de			
0 à	6	18	16	14
6 à	10	18	16	14
10 à	12	16	14	12
12 à	16	14	12	Non recommandé

- **RALLONGES.** S'assurer que la rallonge est en bon état. Lorsqu'une rallonge est utilisée, s'assurer d'utiliser un calibre suffisamment élevé pour assurer le transport du courant nécessaire au fonctionnement de l'appareil. Une rallonge de calibre inférieur causera une chute de tension de ligne et donc une perte de puissance et une surchauffe. Le tableau afférent indique le calibre approprié à utiliser selon la longueur de la rallonge et l'intensité nominale de la plaque signalétique. En cas de doute, utiliser le calibre supérieur suivant. Plus le numéro de calibre est petit, plus le cordon est de calibre élevé.

LIGNES DIRECTRICES EN MATIÈRE DE SÉCURITÉ/DÉFINITIONS

⚠ **DANGER** : indique une situation dangereuse imminente qui, si elle n'est pas évitée, entraînera la mort ou des blessures graves.

⚠ **AVERTISSEMENT** : indique une situation potentiellement dangereuse qui, si elle n'est pas évitée, pourrait entraîner la mort ou des blessures graves.

⚠ **MISE EN GARDE** : indique une situation potentiellement dangereuse qui, si elle n'est pas évitée, pourrait entraîner des blessures légères ou modérées.

Le terme **MISE EN GARDE** utilisé sans le symbole d'alerte à la sécurité indique une situation potentiellement dangereuse qui, si elle n'est pas évitée, pourrait se solder par des dommages matériels.

DANGERS D'UTILISATION DANGEREUSE. Lors de l'utilisation d'outils ou d'équipements, des précautions de base en matière de sécurité doivent être prises afin de réduire le risque de blessure. Un fonctionnement, un entretien ou une modification inappropriée des outils ou des équipements pourrait provoquer de graves blessures ou des dommages matériels. Certains outils et équipements sont conçus pour des applications spécifiques. Black & Decker recommande fortement NE PAS modifier ce produit ou de NE PAS l'utiliser pour une application autre que celle pour laquelle il a été conçu. Lire et comprendre tous les avertissements et toutes les directives d'utilisation avant d'utiliser un outil ou un équipement.

DIRECTIVES DE SÉCURITÉ IMPORTANTES

⚠ **AVERTISSEMENT** : ce produit ou son cordon d'alimentation contient du plomb, un élément chimique reconnu par l'État de la Californie comme étant cancérigène et pouvant entraîner des anomalies congénitales ou d'autres dangers relatifs à la reproduction. Se laver les mains après toute manipulation.

POUR UN USAGE DOMESTIQUE UNIQUEMENT

DIRECTIVES RELATIVES À UN RISQUE D'INCENDIE, DE CHOC ÉLECTRIQUE OU DE BLESSURES CORPORELLES.

⚠ **AVERTISSEMENT : LORS DE L'UTILISATION D'APPAREILS ÉLECTRIQUES, TOUJOURS METTRE EN PRATIQUE DES PRÉCAUTIONS DE BASE, NOTAMMENT LES SUIVANTES :**

- LIRE LES DIRECTIVES AVANT D'UTILISER L'APPAREIL ÉLECTRIQUE.
- POUR RÉDUIRE LES RISQUES DE BLESSURES, EXERCER UNE ÉTROITE SURVEILLANCE LORS DE L'UTILISATION DE L'APPAREIL ÉLECTRIQUE À PROXIMITÉ D'ENFANTS.
- UTILISER UNIQUEMENT DES ACCESSOIRES RECOMMANDÉS OU VENDUS PAR LE FABRICANT.
- NE PAS UTILISER À L'EXTÉRIEUR.
- POUR RÉDUIRE LE RISQUE DE CHOC ÉLECTRIQUE, NE PAS IMMERGER LE PROJECTEUR DANS L'EAU OU TOUT AUTRE LIQUIDE. NE PAS DÉPOSER OU RANGER L'APPAREIL ÉLECTRIQUE À UN ENDROIT D'OU IL POURRAIT TOMBER DANS UNE BAIGNOIRE OU UN ÉVIER.
- TOUJOURS DÉBRANCHER LA LAMPE AVANT DE REMPLACER L'AMPOULE. REMPLACER L'AMPOULE UNIQUEMENT AVEC UNE AUTRE DU TYPE DE 12 VOLTS, H3 DE 75 WATTS, AU QUARTZ-HALOGÈNE.
- UTILISER UNIQUEMENT LE CHARGEUR FOURNI PAR LE FABRICANT.

H) SI UNE RALLONGE EST UTILISÉE :

1. Les caractéristiques nominales indiquées sur le cordon d'alimentation ou la rallonge amovible doivent être égales ou supérieures aux caractéristiques nominales de l'appareil.
2. Le cordon doit être disposé de façon à ce qu'il ne pende pas du comptoir ou de la table, où il risque de faire trébucher, de s'accrocher ou d'être tiré par accident (en particulier par des enfants).
3. Il faut garder la rallonge sèche et dégagée du sol.
4. Ne pas nettoyer l'appareil avec de l'eau pulvérisée ou par un procédé semblable.

⚠ AVERTISSEMENT : POUR RÉDUIRE LE RISQUE DE DÉCHARGES ÉLECTRIQUES :

Ne pas brancher dans une source d'alimentation sans la lentille de l'ampoule et le couvercle en position.

⚠ AVERTISSEMENT : RISQUE D'INCENDIE : Ne jamais mettre de matières combustibles en contact avec la lentille et ne jamais appliquer de ruban ou d'attache sur le commutateur pour le maintenir en position de marche.

⚠ MISE EN GARDE : POUR RÉDUIRE LE RISQUE DE BLESSURES OU DE DOMMAGES MATÉRIELS :

- Toutes les ampoules halogènes produisent de la chaleur.
 - Ne pas toucher à la lentille en cours de fonctionnement.
 - Éloigner les matières combustibles de la lentille du projecteur. La chaleur extrême risque de provoquer un incendie.
 - Ne jamais déposer, sur une surface, le projecteur du côté de la lentille lorsqu'il est allumé.
 - Ne jamais regarder directement le faisceau lumineux ou ne pas le pointer dans les yeux d'une autre personne.
 - Éloigner les objets pointus de la lentille. Elle est en verre et peut se briser.
 - Ne pas immerger le projecteur dans l'eau.
 - Ne pas échapper ou ne pas lancer le projecteur. Il contient du verre et des piles au plomb scellées.
 - Remplacer l'ampoule uniquement avec une autre du type indiqué à la section fiche technique (12 volts, H3 de 75 watts, quartz-halogène).
 - Utiliser uniquement avec les adaptateurs de charge secteur ou courant continu qui sont livrés avec l'unité. Brancher d'abord l'adaptateur de charge au projecteur, puis brancher le tout à la source d'alimentation.
 - Ne pas surcharger :
 - Par secteur, maximum de 30 heures de charge.
 - En courant continu, maximum de 4 heures de charge.
 - **NE JAMAIS UTILISER LE CHARGEUR SECTEUR ET LE PORT DE CHARGE EN COURANT CONTINU SIMULTANÉMENT.**
 - Après la charge/recharge de l'appareil, débrancher l'adaptateur de charge ou la rallonge et attendre 5 minutes avant l'utilisation.
 - Ne pas écraser, ni couper, ni tirer les cordons des adaptateurs de charge. Les protéger de la chaleur extrême.
 - Positionner les cordons des adaptateurs de charge de sorte qu'ils ne s'enchevêtrent pas ou qu'ils ne présentent pas un risque à la sécurité. Éloigner les cordons des adaptateurs de charge des bords tranchants.
 - Utiliser uniquement dans un environnement sec.
 - Ne pas ouvrir le corps du boîtier. Aucune pièce à l'intérieur ne peut être réparée par l'utilisateur.
 - Pour réduire le risque de dommages à la fiche et au cordon d'alimentation, tirer sur la fiche plutôt que sur le cordon pour débrancher du chargeur secteur de 120 V.
 - Ne pas essayer de recharger l'unité si la fiche du chargeur secteur de 120 volts est endommagée. La retourner au fabricant pour des réparations.
- ⚠ AVERTISSEMENT : POUR RÉDUIRE LE RISQUE DE BLESSURES :**
- Respecter ces directives ainsi que celles publiées par le fabricant du matériel que vous avez l'intention d'utiliser avec cet appareil. Examiner les mises en garde apposées sur les produits.

CONSERVER CES DIRECTIVES

INTRODUCTION

Merci d'avoir choisi le **projecteur Black & Decker® V-2 Million Power Series™**. Lire attentivement le présent guide avant l'utilisation afin de garantir des performances optimales et d'éviter tout dommage à l'unité.

CARACTÉRISTIQUES

- Puissant faisceau concentré au quartz-halogène
- DEL d'éclairage de travail
- Protecteur en caoutchouc (anneau) autour de la lentille
- Capuchon de protection en caoutchouc qui protège le compartiment à piles
- Poignée de pistolet et lanière confortables
- Voyant DEL d'état de l'accumulateur
- Chargeur secteur de 120 volts intégré et homologué UL qui fonctionne avec une rallonge domestique standard (non comprise)
- Adaptateur de charge en courant continu de 12 volts compris
- Pile au plomb scellée, rechargeable et sans déversement

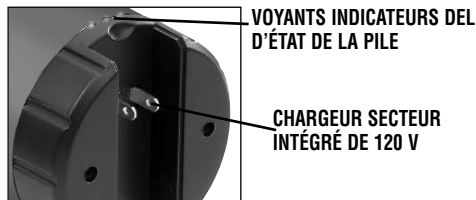


CHARGE/RECHARGE DU PROJECTEUR

Cet appareil est livré partiellement chargé. Charger l'unité AVANT la première utilisation avec le chargeur secteur de 120 volts pour une durée de 20 à 30 heures ou jusqu'à ce que le voyant DEL vert d'état des piles clignote. Charger après chaque utilisation jusqu'à ce que le voyant DEL vert clignote.

Charge/Recharge avec le chargeur secteur de 120 volts et une rallonge domestique normale (non comprise)

Brancher une rallonge standard nord-américaine (non inclus) pour 120 volts par secteur dans le chargeur secteur de 120 volts au dos de l'unité.



S'assurer que le projecteur est éteint (le dispositif de blocage de la détente est à la position d'ARRÊT et la détente est relevée).

Charger jusqu'à ce que le voyant indicateur DEL vert d'état des piles clignote (environ de 20 à 30 heures). NE PAS CHARGER PLUS DE 30 HEURES.

Charge/Recharge avec l'adaptateur de charge en courant continu de 12 volts

Insérer l'extrémité cylindrique de l'adaptateur de charge en courant continu de 12 volts fourni dans le port de charge compatible.



ADAPTATEUR DE CHARGE EN COURANT CONTINU DE 12 VOLTS



PORT DE CHARGE EN COURANT CONTINU DE 12 VOLTS

Insérer l'extrémité de la fiche de courant continu de 12 volts dans la prise accessoire du véhicule ou dans toute autre source d'alimentation en courant continu de 12 volts.

S'assurer que le projecteur est éteint (le dispositif de blocage de la détente est à la position d'ARRÊT et la détente est relevée).

Charger jusqu'à ce que le voyant indicateur DEL vert d'état des piles s'allume lorsque le bouton-poussoir du niveau de charge est enfoncé (environ de 3 à 4 heures). **NE PAS CHARGER PLUS DE 4 HEURES.**

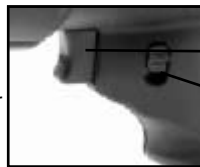
S'assurer que la source d'alimentation en courant continu (batterie d'appoint, bloc-piles, prise accessoire de véhicule, etc.) fournit 12 volts de courant continu et qu'elle est capable de fournir au moins un demi-ampère à 12 volts en courant continu pour une durée de 8 heures. En d'autres mots, un bloc-piles doit être chargé d'au moins 4 ampères-heures.

Remarque : il est parfois nécessaire d'allumer le contact du véhicule pour alimenter la prise accessoire en courant continu de 12 volts lorsque celle-ci est utilisée comme source d'alimentation pour la charge.

FONCTIONNEMENT

Fonctionnement du projecteur

1. Débrancher du chargeur.
2. La détente MARCHE/ARRÊT est logée à l'avant de la poignée-pistolet du projecteur.
3. Pour mettre le projecteur sous tension, enfoncer la détente.
4. Pour mettre le projecteur hors tension, relâcher la détente



DÉTENTE MARCHE/ARRÊT

DÉTENTE VERROUILLÉE

Remarque : la détente MARCHE/ARRÊT peut être bloquée en position de MARCHE avec l'interrupteur de verrouillage de la détente sur le côté de l'appareil.

Fonctionnement des DEL d'éclairage de travail

Le bouton-poussoir pour la mise en MARCHE/ARRÊT des DEL d'éclairage de travail est logé sur le dessus du projecteur.

Utilisation du cordon de transport intégré

Utiliser le cordon de transport pour ranger ou transporter le projecteur. Ajuster la glissière des cordons pour le maintenir fixe autour de l'objet d'appui.

SOINS ET ENTRETIEN

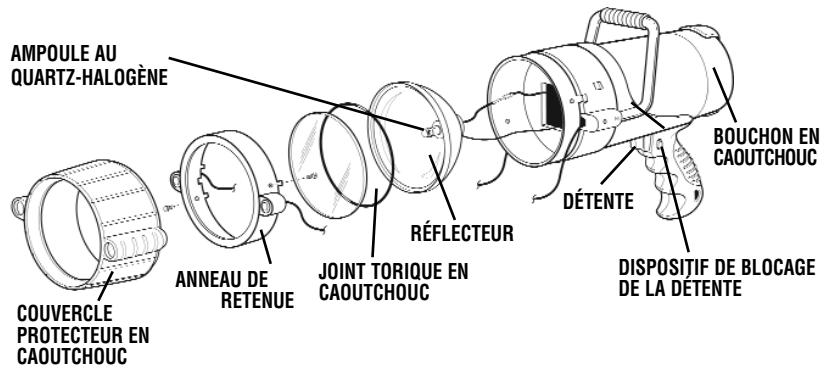
Toutes les piles perdent leur charge avec le temps, particulièrement lorsqu'elles sont chaudes. Recharger l'unité tous les deux mois si elle n'est pas utilisée régulièrement, de préférence avec la méthode de charge par secteur de 120 volts.

Ne jamais immerger l'unité dans l'eau. Si le projecteur est sale, nettoyer ses surfaces externes délicatement avec un chiffon doux humecté d'une solution d'eau et de détergent à faible concentration.

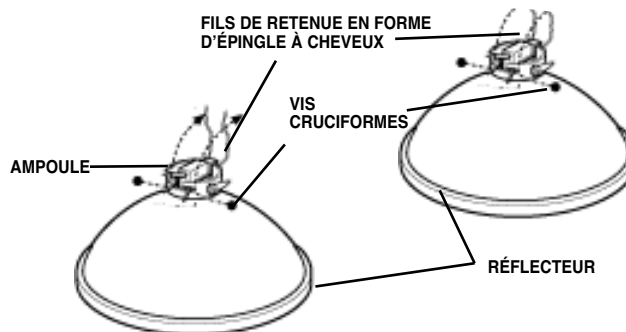
L'ampoule au quartz-halogène est l'unique pièce du projecteur remplaçable par l'utilisateur. Inspecter périodiquement l'état des adaptateurs, des connecteurs et des fils. Pour le remplacement de tout composant usé ou brisé, communiquer avec le Service d'assistance technique en composant sans frais le **1-800-544-6986**.

Remplacement de l'ampoule du projecteur

Pour remplacer l'ampoule, avoir un petit tournevis à pointe cruciforme et une ampoule de rechange de 12 volts, H3 de 75 watts. Au cours de l'installation, éviter de toucher la partie en verre de l'ampoule. La durée de vie de l'ampoule pourrait être réduite en présence de saletés ou de marques de doigts sur le verre. L'ampoule peut être essuyée avec un chiffon humecté d'alcool.



1. Débrancher tous les adaptateurs de charge de l'unité.
2. Pousser l'anneau protecteur en caoutchouc vers l'avant du projecteur pour exposer deux petites vis cruciformes logées dans l'anneau de retenue.
3. Avec le tournevis, retirer les deux vis (en tournant en sens antihoraire). Les mettre de côté.
4. Retirer l'anneau de retenue, la lentille de verre et le joint torique en caoutchouc et les mettre de côté.
5. Retirer délicatement l'ensemble du réflecteur et de l'ampoule.



6. Déconnecter le fil de l'ampoule du fil d'alimentation rouge.
7. Dégager les fils de retenue en forme d'épingle à cheveux de la collerette du réflecteur.
8. Avec le tournevis, desserrer la vis de sûreté pour retirer l'ampoule du réflecteur (il n'est pas nécessaire de dévisser complètement cette vis).
9. Retirer l'ampoule et détacher le fil.
10. Insérer l'ampoule de rechange dans la collerette du réflecteur.
11. Insérer de nouveau les fils de retenue en forme d'épingle à cheveux et les fixer solidement.
12. Relier le fil d'alimentation de l'ampoule au fil rouge d'alimentation.
13. Serrer la vis de sûreté de la collerette.
14. Remettre en place le réflecteur dans le corps du projecteur.
15. Réinsérer le joint torique en caoutchouc dans la rainure du contour du réflecteur.
16. Remettre en position la lentille de verre et l'anneau de retenue de sorte que les trous de vis soient alignés.
17. Fixer solidement l'anneau de retenue avec les deux vis.

18. Réinstaller l'anneau protecteur en caoutchouc.
19. Tester la détente pour garantir le bon fonctionnement du projecteur.

⚠ AVERTISSEMENT :

Pour réduire le risque de choc électrique, remplacer l'ampoule uniquement avec une ampoule de 12 volts, H3 de 75 watts.

Remplacement/Élimination de la pile
Remplacement de la pile



La pile devrait fonctionner pour la durée de vie de l'unité. Pour de plus amples renseignements, communiquer avec le Service d'assistance technique en composant sans frais le **1-800-544-6986**.

Élimination sécuritaire des piles

Comprend une pile au plomb sans entretien, scellée et sans déversement qui doit être correctement éliminée. Un recyclage est requis; contacter l'autorité locale pour plus de renseignements. Négliger de respecter les règlements locaux, provinciaux et fédéraux peut entraîner amendes ou emprisonnement.

⚠ AVERTISSEMENTS

- Ne pas jeter la pile dans les flammes. Une telle pratique pourrait se solder par une explosion.
- Avant de jeter la pile, protéger les bornes exposées avec du ruban isolant solide pour éviter tout court-circuit (un court-circuit peut provoquer une blessure ou un incendie).
- Protéger la pile des flammes ou de la chaleur intense, car elle risquerait d'exploser.
- Pour de plus amples renseignements sur le recyclage de cette pile, composer sans frais le **1-877-288-7722**.

Remplacement du fusible de la fiche de l'adaptateur de charge en courant continu de 12 volts

Le fusible de l'extrémité de la fiche de l'adaptateur de charge en courant continu de 12 volts protège le circuit de charge de l'adaptateur. Si le chargeur secteur de 120 volts fonctionne mais non l'adaptateur de charge en courant continu, il est possible que le fusible soit coupé (grillé).

Remplacement du fusible :

1. Dévisser le bouchon de la fiche en courant continu (en tournant en sens antihoraire).
2. Retirer le ressort du contact central et le fusible.
3. Vérifier le fusible avec un dispositif de contrôle de continuité.
4. S'il est grillé, utiliser un fusible de rechange de 8 ampères, 250 volts.
5. Replacer le fusible, le ressort, le contact et le bouchon.
6. Visser à la main le bouchon en sens horaire. **NE PAS TROP SERRER.**
7. Tester le fonctionnement de l'adaptateur de charge en courant continu de 12 volts.

DÉPANNAGE

Les voyants indicateurs DEL d'état des piles ne s'allument pas en cours de charge.

1. Vérifier la connexion du chargeur secteur de 120 volts ou du port de charge en courant continu de 12 volts.
2. Vérifier la connexion à la source d'alimentation secteur ou en courant continu.
3. Confirmer la présence d'un courant alternatif ou continu.

L'unité ne fonctionne pas.

1. Le projecteur ne fonctionne pas en cours de charge. S'assurer de bien débrancher tous les adaptateurs avant d'utiliser le projecteur.
2. Si l'ampoule semble grillée, vérifier l'état du filament. Si le filament est enroulé et intact, l'ampoule est bonne. Si elle est grillée, la remplacer.
3. La pile est peut-être complètement déchargée. Charger l'unité selon les directives décrites à la page 12.
4. Si le projecteur ne fonctionne pas après une recharge effectuée selon les directives, communiquer avec le Service d'assistance technique en composant sans frais le **1-800-544-6986**.

Pour de l'aide avec l'outil, consulter notre site Web **www.blackanddecker.com** pour l'emplacement du centre de réparation le plus près ou communiquer avec l'assistance BLACK & DECKER au **1-800-544-6986**.

ACCESSOIRES

Les accessoires recommandés pouvant être utilisés avec l'outil sont disponibles auprès de votre distributeur local ou centre de réparation autorisé. Pour tout renseignement concernant les accessoires, composer le : 1 800 544-6986.

⚠ AVERTISSEMENT : l'utilisation de tout accessoire non recommandé avec cet outil pourrait s'avérer dangereuse.

INFORMATION SUR LES RÉPARATIONS

Tous les centres de réparation Black & Decker sont dotés de personnel qualifié en matière d'outillage électrique; ils sont donc en mesure d'offrir à leur clientèle un service efficace et fiable. Que ce soit pour un avis technique, une réparation ou des pièces de rechange authentiques installées en usine, communiquer avec l'établissement Black & Decker le plus près de chez vous. Pour trouver l'établissement de réparation de votre région, consulter le répertoire des Pages jaunes à la rubrique « Outils électriques » ou composer le numéro suivant : **1-800-544-6986** ou consulter le site **www.blackanddecker.com**

GARANTIE COMPLÈTE D'UN AN POUR UNE UTILISATION DOMESTIQUE

Black & Decker (E.-U.) Inc. garantit ce produit pour une durée d'un an contre tout défaut de matériau ou de fabrication. Le produit défectueux sera remplacé ou réparé sans frais de l'une des deux façons suivantes :

La première façon consiste en un simple échange chez le détaillant qui l'a vendu (pourvu qu'il s'agisse d'un détaillant participant). Tout retour doit se faire durant la période correspondant à la politique d'échange du détaillant (habituellement, de 30 à 90 jours après l'achat). Une preuve d'achat peut être requise. Vérifier auprès du détaillant pour connaître sa politique concernant les retours hors de la période définie pour les échanges.

La deuxième option est d'apporter ou d'envoyer le produit (transport payé d'avance) à un centre de réparation autorisé ou à un centre de réparation de Black & Decker pour faire réparer ou échanger le produit, à notre discrétion. Une preuve d'achat peut être requise. Les centres Black & Decker et les centres de service autorisés sont répertoriés dans les pages jaunes, sous la rubrique « Outils électriques ».

Cette garantie ne s'applique pas aux accessoires. Cette garantie vous accorde des droits légaux spécifiques et vous pourriez avoir d'autres droits qui varient d'un État ou d'une province à l'autre. Pour toute question, communiquer avec le directeur du centre de réparation Black & Decker le plus près de chez vous. Ce produit n'est pas destiné à un usage commercial.

REMPACEMENT GRATUIT DES ÉTIQUETTES D'AVERTISSEMENT : si les étiquettes d'avertissement deviennent illisibles ou sont manquantes, composer le **1-800-544-6986** pour en obtenir le remplacement gratuit.

FICHE TECHNIQUE

Ampoule du projecteur :	12 volts, série H3 de 75 watts
Pile :	au plomb scellée, sans entretien, de 12 volts, 3 ampères-heure
Chargeur secteur :	homologué UL, classe 2, courant continu de 12 volts (300 mA)
Fusible de la fiche de courant continu :	8 A, 250 V

Imported by / Importé par
Black & Decker (U.S.) Inc.,
701 E. Joppa Rd.
Towson, MD 21286 U.S.A.

Voir la rubrique "Outils
électriques"
des Pages Jaunes
pour le service et les ventes.





REFLECTOR V-2 MILLION POWER SERIES™
MANUAL DE INSTRUCCIONES



Catalog Number VEC157BD

Gracias por elegir Black & Decker!
Visite www.BlackandDecker.com/NewOwner
para registrar su nuevo producto.

**LEA EL MANUAL ANTES DE DEVOLVER
ESTE PRODUCTO POR CUALQUIER MOTIVO:**

Si tiene una consulta o algún inconveniente con su producto Black & Decker, visite
[HTTP://WWW.BLACKANDDECKER.COM/INSTANTANSWERS](http://WWW.BLACKANDDECKER.COM/INSTANTANSWERS)
para obtener respuestas instantáneas las 24 horas del día.

Si no encuentra la respuesta o no tiene acceso a Internet, llame al 1-800-544-6986 de
lunes a viernes de 8 a.m. a 5 p.m. hora del Este para hablar con un agente.
Cuando llame, tenga a mano el número de catálogo.

CONSERVE ESTE MANUAL PARA FUTURAS CONSULTAS.

⚠ **ADVERTENCIAS E INSTRUCCIONES DE SEGURIDAD GENERALES PARA TODOS LOS ARTEFACTOS**

LEA LAS INSTRUCCIONES

⚠ **ADVERTENCIA:** Lea todas las instrucciones antes de operar el producto. El incumplimiento de todas las instrucciones enumeradas a continuación puede provocar una descarga eléctrica, un incendio o lesiones graves.

- **EVITE LAS CONDICIONES AMBIENTALES PELIGROSAS.** NO utilice artefactos en zonas húmedas o mojadas. No utilice artefactos bajo la lluvia.
- **MANTENGA A LOS NIÑOS ALEJADOS.** Los visitantes deben mantenerse a distancia del área de trabajo.
- **GUARDE LOS ARTEFACTOS QUE NO UTILICE EN EL INTERIOR.** Cuando no los utilice, los artefactos deben guardarse en el interior en un lugar seco, alto o bajo llave, lejos del alcance de los niños.
- **UTILICE EL APARATO ADECUADO.** Nunca utilice el aparato para otra tarea que no sea aquella para la que fue creada.
- **USE LA VESTIMENTA ADECUADA.** No use ropas holgadas o joyas. Pueden atascarse en las piezas en movimiento. Se recomienda utilizar guantes de goma y calzado antideslizante considerable al trabajar al aire libre. Recójase y cubra el cabello largo.
- **USE ANTEOJOS DE SEGURIDAD Y CUALQUIER OTRO EQUIPO DE SEGURIDAD.** Use anteojos protectores o lentes de seguridad con protección lateral que cumplan con las normas de seguridad aplicables y, de ser necesario, un protector facial. Utilice también máscaras faciales o para polvo si la operación produce polvillo. Esto se aplica a todas las personas que se encuentren en el área de trabajo. Utilice también un casco, protección auditiva, guantes, calzado de seguridad y sistemas de recolección de polvo cuando así se especifique o requiera. Puede conseguir anteojos de seguridad o similares a un costo adicional en su distribuidor local o en el Centro de mantenimiento de Black & Decker.
- **NO TIRE DEL CABLE.** Nunca transporte el aparato por el cable ni lo jale para desconectarlo del tomacorriente. Mantenga el cable alejado del calor, el aceite y los bordes afilados.
- **NO SE ESTIRE.** Conserve el equilibrio y párese adecuadamente en todo momento.
- **DESCONECTE LOS APARATOS.** Desconecte el aparato de la fuente de energía cuando no lo utiliza, antes de realizar un mantenimiento y al cambiar accesorios como hojas y elementos semejantes.
- **EVITE EL ENCENDIDO POR ACCIDENTE.** No transporte el aparato enchufado con el dedo en el interruptor. Asegúrese de que el interruptor esté apagado cuando lo enchufe.
- La protección del **INTERRUPTOR DE CORTE POR FALLA A TIERRA (GFCI)** debe aplicarse a los circuitos o los tomacorrientes que se utilizarán. Hay tomacorrientes con protección GFCI incorporada que pueden utilizarse para tomar esta medida de seguridad.
- **USO DE SUPLEMENTOS Y ACCESORIOS.** El uso de accesorios o dispositivos no recomendados para utilizar con este aparato puede resultar peligroso. Nota: Consulte la sección "Accesorios" de este manual para obtener detalles adicionales.
- **MANTÉNGASE ALERTA.** Fíjese en lo que está haciendo. Use el sentido común. No opere la herramienta si está cansado.
- **VERIFIQUE QUE NO HAYA PIEZAS DAÑADAS.** Antes de volver a utilizar la herramienta, se debe controlar cualquier protección u otra pieza que esté averiada para determinar si funcionará correctamente y realizará la función para la que fue diseñada. Verifique la alineación de las piezas móviles, la rotura de piezas, el montaje y cualquier otra condición que pueda afectar su operación. Cualquier protección u otra pieza que esté dañada debe ser reparada correctamente o reemplazada por un centro de mantenimiento autorizado, a menos que este manual de instrucciones indique otra cosa. Reemplace los interruptores defectuosos en un centro de mantenimiento autorizado. No utilice la herramienta si no puede encenderla o apagarla con el interruptor.
- **NO OPERE** herramientas eléctricas portátiles cerca de líquidos inflamables o en atmósferas gaseosas o explosivas. Ciertos componentes en estas herramientas normalmente chispean, y las chispas pueden encender los vapores.
- **CABLES PROLONGADORES.** Asegúrese de que el cable prolongador esté en buenas condiciones. Cuando utilice un cable prolongador, asegúrese de que tenga la capacidad para conducir la corriente que su producto exige. Un cable de menor capacidad provocará una disminución en el voltaje de la línea, lo cual producirá una pérdida de potencia y sobrecalentamiento. La siguiente tabla muestra la medida correcta que debe utilizar según la longitud del cable y la capacidad nominal en amperios indicada en la placa. En caso de duda, utilice el calibre inmediatamente superior. Cuanto menor es el número de calibre, más grueso es el cable.
- **USO DE CABLES PROLONGADORES EN ESPACIOS ABIERTOS.** Cuando utilice la herramienta al aire libre, utilice solamente cables prolongadores diseñados para su uso al aire libre o marcados como tales.

Calibre mínimo para los juegos de cables					
Voltios		Largo total del cable en pies			
120V	0-25	26-50	51-100	101-150	
	(0-7,6m)	(7,6-15,2m)	(15,2-30,4m)	(30,4-45,7m)	
240V	0-50	51-100	101-200	201-300	
	(0-15,2m)	(15,2-30,4m)	(30,4-60,9m)	(60,9-91,4m)	
Capacidad nominal en amperios					
Más que	No más que	Medida de conductor estadounidense			
0 -	6	18	16	16	14
6 -	10	18	16	14	12
10 -	12	16	16	14	12
12 -	16	14	12	No recomendado	

NORMAS DE SEGURIDAD / DEFINICIONES

⚠ **PELIGRO:** Indica una situación de peligro inminente que, si no se evita, provocará la muerte o lesiones graves.

⚠ **ADVERTENCIA:** Indica una situación de peligro inminente que, si no se evita, provocará la muerte o lesiones graves.

⚠ **PRECAUCIÓN:** Indica una situación de peligro potencial que, si no se evita, puede provocar lesiones leves o moderadas.

PRECAUCIÓN: Utilizado sin el símbolo de alerta de seguridad indica una situación de peligro potencial que, si no se evita, puede provocar daños en la propiedad.

RIESGO DE OPERACIÓN INSEGURA. Cuando se utilizan herramientas o equipos, siempre se deben respetar las precauciones de seguridad para reducir el riesgo de lesiones personales. La operación, el mantenimiento o la modificación incorrectos de herramientas o equipos pueden provocar lesiones graves y daños a la propiedad. Las herramientas y los equipos están diseñados para determinados usos. Black & Decker recomienda enfáticamente que NO se modifique este producto y que NO se utilice para ningún otro uso que aquél para el que fue diseñado. Lea y comprenda todas las instrucciones operativas y las advertencias antes de utilizar cualquier herramienta o equipo.

INSTRUCCIONES IMPORTANTES SOBRE SEGURIDAD

⚠ **ADVERTENCIA:** Este producto o su cable de alimentación contiene plomo, una sustancia química reconocida por el Estado de California como causante de cáncer, defectos de nacimiento u otros problemas reproductivos. Lávese las manos después de utilizarlo.

PARA EL USO DE LA CASA SOLAMENTE

INSTRUCCIONES QUE PERTENECEN AL RIESGO DEL FUEGO, DE LA DESCARGA ELÉCTRICA, O DE LESIÓN A LAS PERSONAS

⚠ **ADVERTENCIA – AL USAR APLICACIONES ELÉCTRICAS, LAS PRECAUCIONES DEL BASIC SE DEBEN SEGUIR SIEMPRE, INCLUYENDO EL SIGUIENTE:**

- A) LEA LAS INSTRUCCIONES ANTES DE USAR LA APLICACIÓN.
- B) REDUCIR EL RIESGO DE LESIÓN, LA SUPERVISIÓN CERCANA ES NECESARIA CUANDO UNA APLICACIÓN SE UTILIZA CERCA DE NIÑOS.
- C) UTILICE SOLAMENTE LOS ACCESORIOS RECOMENDADOS O VENDIDOS POR EL FABRICANTE.
- D) NO UTILICE AL AIRE LIBRE.
- E) PARA REDUCIR EL RIESGO DEL CHOQUE ELÉCTRICO, NO PONGA EL PROYECTOR EN EL AGUA O EL OTRO LÍQUIDO. NO COLOQUE NI ALMACENE LA APLICACIÓN DONDE PUEDE BAJAR O SER TIRADO EN UNA TINA O UN FREGADERO.
- F) DESENCHUFE SIEMPRE ANTES DE SUBSTITUIR LA LÁMPARA. SUBSTITUYA SOLAMENTE EL BULBO POR EL TIPO CLASIFICÓ 12 VOLTIOS, H3 HALÓGENO DEL CUARZO DE 75 VATIOS.
- G) UTILICE SOLAMENTE EL CARGADOR PROVISTO POR EL FABRICANTE A LA RECARGA.
- H) SI SE UTILIZA UNA CUERDA DE LA EXTENSIÓN:
 1. El grado marcado de la cuerda desmontable de la fuente de alimentación o de la cuerda de la extensión debe ser por lo menos tan grande como el grado eléctrico de esta aplicación.
 2. La cuerda debe ser arreglada de modo que no cubra sobre el countertop o el tablero de la mesa donde puede ser disparada encima, snagged, o tiró en inintencionalmente (especialmente por los niños).
 3. La cuerda de la extensión se debe mantener seca y de la tierra.
 4. No limpie esta aplicación con un aerosol de agua o los similares.

⚠ ADVERTENCIA: PARA REDUCIR EL RIESGO DE DESCARGA ELÉCTRICA:

- No conecte el reflector a una fuente de alimentación sin colocarle el lente y la cubierta al bombillo.

⚠ PRECAUCIÓN: PARA REDUCIR EL RIESGO DE LESIONES O DAÑOS A LA PROPIEDAD:

- Todas las luces halógenas emiten calor.
 - No toque el lente mientras la unidad esté en uso.
 - Mantenga cualquier combustible lejos del lente del reflector. El calor extremo puede ocasionar incendios.
 - Nunca coloque el reflector boca abajo mientras esté encendido.
- Nunca mire directamente a la luz ni la apunte directamente a los ojos de otra persona.
- Mantenga los objetos afilados lejos del lente del reflector – el vidrio puede romperse.
- No sumerja el reflector en agua.
- No tire ni deje caer el reflector. Contiene vidrio y una batería sellada con ácido de plomo.
- Reemplace el bombillo solamente con el tipo indicado en las especificaciones (un bombillo de halógeno de cuarzo H3 de 12 voltios de 75 vatios).
- Use sólo los adaptadores CA o CC que vienen con esta unidad. Primero, conecte el adaptador de carga al reflector y después conéctelo a la fuente de carga.
- NO SOBRECARGUE:
 - Recarga de CA de 30 horas como máximo.
 - Recarga de CC de 4 horas como máximo.
- NUNCA TRATE DE USAR EL CARGADOR DE CA Y EL PUERTO DE RECARGA CC A LA VEZ.
- Después de cargar/recargar, desconecte el adaptador de recarga o extensión eléctrica y espere 5 minutos antes usar el reflector.
- No aplaste, corte, hale o exponga los cables del adaptador de carga al calor extremo.
- Coloque los cables del adaptador de carga de manera que no se enreden o se conviertan en un peligro de seguridad. Mantenga los cables del adaptador de carga alejados de bordes afilados.
- Use la unidad en lugares secos solamente.
- No abra la cubierta del reflector. No contiene piezas serviables por el usuario.
- Para reducir el riesgo de daños al enchufe o al cable eléctrico, tire por el enchufe más bien que por el cable al desconectar del cargador de CA de 120 voltios.
- No trate de cargar la unidad si el enchufe del cargador de 120 voltios CA está dañado – devuelva la unidad al fabricante para reparación.

⚠ ADVERTENCIA: PARA REDUCIR EL RIESGO DE LESIONES:

- Siga estas instrucciones y las publicadas por el fabricante de cualquier equipo que tenga la intención de utilizar con esta unidad. Revise las indicaciones sobre precauciones en estos productos.

CONSERVE ESTAS INSTRUCCIONES

INTRODUCCIÓN

Gracias por comprar el *Reflector V-2 Power Series™ de Black & Decker®*. Antes de usarlo, por favor lea cuidadosamente esta guía para asegurar un desempeño óptimo de la unidad y evitarle daños.

CARACTERÍSTICAS

- Reflector con poderoso bombillo direccional de halógeno de cuarzo
- Luces del área del LED
- Goma protectora (borde saliente) de seguridad alrededor del lente
- Tapa de goma de seguridad para proteger el compartimiento de la batería
- Cómoda asa tipo pistola y acollador
- Panel LED que indica el nivel de carga de la batería
- Cargador de 120 voltios CA incorporado, certificado for UL que funciona con un cable de extensión doméstico estándar (no incluido)
- Cargador de 12 voltios CC incluido
- Batería sellada recargable con ácido de plomo (anti-derrame)



CARGA Y RECARGA DEL REFLECTOR

Esta unidad se envía parcialmente cargada. Cargue la unidad ANTES de usarla por primera vez utilizando el cargador de 120 voltios CA, durante 20-30 horas o hasta que la luz LED verde del Indicador de Carga de la Batería destelle. Cargue después de cada uso hasta que la luz LED verde destelle.

Carga/recarga desde una fuente de 120 Voltios CA y un cable de extensión doméstico estándar (no incluido)

Enchufe un cable de extensión estándar Norte Americano de 120 voltios CA (no incluida) al cargador de 120 voltios CA localizado en la parte trasera de la unidad.



INDICADOR LED DEL ESTADO DE CARGA DE LA BATERÍA

CARGADOR INCORPORADO DE 120 VOLTIOS CA

Asegúrese que el reflector está apagado (la cerradura del Disparador está en la posición de OFF y el disparador no está hundido).

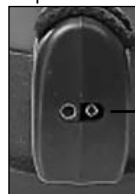
Cargue hasta que destelle la luz LED verde del Indicador de Carga de la Batería (aproximadamente de 20-30 horas). NUNCA CARGUE LA UNIDAD POR MÁS DE 30 HORAS.

Carga/recarga desde una fuente de 12 Voltios CC

Enchufe la punta tubular metálica del adaptador de 12 voltios CC al puerto de recarga de 12 voltios CC.



ADAPTADOR DE CARGA DE CC DE 12 VOLTIOS



PUERTO DE RECARGA DE CC DE 12 VOLTIOS

Introduzca el tomacorriente de 12 voltios al enchufe para accesorios de su vehículo o a cualquier otra fuente de alimentación de 12 voltios.

Asegúrese que el reflector está apagado (la cerradura del Disparador está en la posición de OFF y el disparador no está hundido).

Cargue hasta que el verde LED del Indicador del estado LED de la batería se enciende cuando se presiona el botón de las LUCES del ÁREA del LED (aproximadamente de 3-4 horas). NUNCA CARGUE LA UNIDAD POR MÁS DE 4 HORAS USANDO ESTE MÉTODO.

Asegúrese que la fuente CC (puente auxiliar de arranque, batería portátil, enchufe para accesorios del vehículo, etc.) sea de 12 voltios CC. La fuente CC debe tener la capacidad de suministrar al menos medio amperio a un

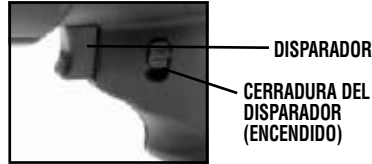
nivel de 12 voltios CC por 8 horas. Esto significa que una batería portátil debe estar cargada con un mínimo de capacidad de 4 horas amperios.

Nota: Cuando utilice el enchufe para accesorios de 12 voltios de un vehículo como fuente de carga, preste atención a que algunos vehículos requieren que se encienda la marcha para alimentar el enchufe de accesorios.

INSTRUCCIONES PARA EL FUNCIONAMIENTO

Funcionamiento del proyector

1. Desconexión del cargador.
2. El disparador CON./DESC. está situado en el frente de la manija del pistola-apreto'n del proyector.
3. Para encender el proyector, exprima el disparador.
4. Para dar vuelta APAGADO al proyector, lance el disparador.



Nota: El disparador CON./DESC. se puede trabar en la posición de trabajo usando la cerradura del disparador EN el interruptor en el lado de la unidad.

Funcionamiento de la luz LED de área

El botón de ENCENDIDO/APAGADO (ON/OFF) para las luces de área se encuentra en la parte de arriba del reflector.

Uso del cordón para llevar incorporado

El cordón incorporado puede usarse para llevar el reflector o para colgarlo cuando no esté en uso. Ajuste la parte de goma que resbala por los cordones hasta que estén asegurados al objeto donde va a apoyar el reflector.

CUIDADO Y MANTENIMIENTO

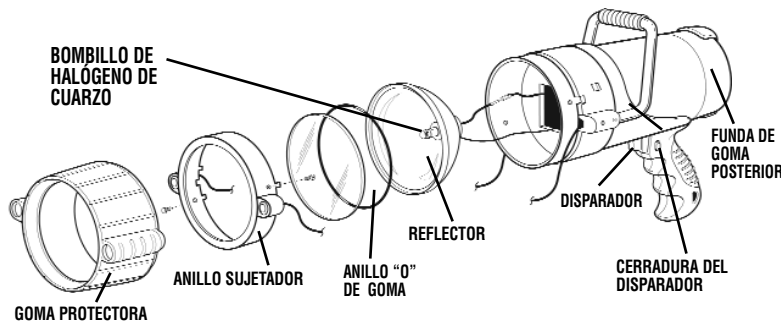
Todas las baterías pierden carga con el tiempo, especialmente cuando están tibias. Recargue la unidad cada dos meses si no la usa con frecuencia, preferiblemente por medio del método de 120 voltios CA.

No sumerja este reflector en agua. Si la unidad se ensucia, limpie las superficies exteriores con cuidado. Utilice una tela suave humedecida con una mezcla diluida de agua y detergente.

El bombillo halógeno de cuarzo es la única parte del reflector reemplazable por el usuario. Periódicamente inspeccione la condición de los adaptadores de carga, conectores y cables. Si algún componente se ha roto o desgastado, llame gratis al departamento de Apoyo Técnico al 1-800-544-6986 para reemplazarlo.

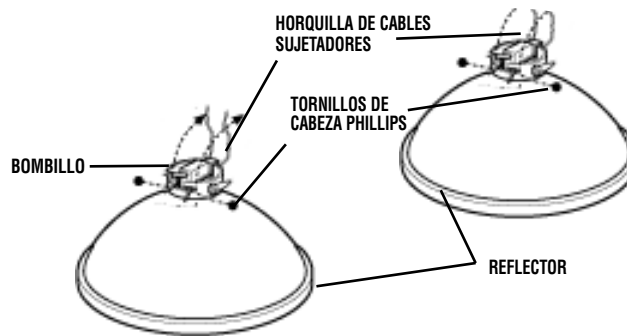
Reemplazo de bombillo del reflector

Para reemplazar el bombillo de 12 voltios tipo H3 de 75 vatios usted necesitará un destornillador Phillips pequeño y un bombillo de reemplazo. Durante la instalación, evite tocar la parte de vidrio del bombillo. Las huellas dactilares y la mugre pueden acortar su duración si se instala sucio. El bombillo puede limpiarse con una tela humedecida en alcohol.



1. Desconecte la unidad de cualquiera de los dos adaptadores de carga.
2. Empuje la goma protectora de borde saliente hacia la parte delantera del reflector para acceder a los dos tornillos pequeños Phillips que están en el anillo sujetador.

3. Usando el destornillador, remueva los dos tornillos (contrario al sentido de las manecillas del reloj). Colóquelos a un lado.
4. Quite el anillo sujetador, el lente de vidrio y el anillo de goma en forma de "O" y colóquelos a un lado.
5. Retire cuidadosamente el montaje de reflector y bombillo.



6. Desconecte el cable del bombillo del cable rojo de electricidad.
7. Separe las horquillas de los cables sujetadores de la pestaña del reflector.
8. Utilizando el destornillador, afloje el tornillo sujetador para remover el bombillo del reflector (no necesita sacar el tornillo por completo).
9. Saque el bombillo y desprenda el cable.
10. Coloque el bombillo de reemplazo en la pestaña del reflector.
11. Coloque de nuevo las horquillas de los cables sujetadores y asegúrelas.
12. Conecte el cable de electricidad del bombillo al cable rojo de electricidad.
13. Apriete el tornillo sujetador en la pestaña.
14. Coloque el reflector en su posición dentro de la unidad.
15. Coloque el anillo sujetador "O" en la ranura que está alrededor del perímetro del reflector.
16. Coloque el vidrio y el anillo sujetador de manera que los huecos de los tornillos coincidan.
17. Asegure el anillo sujetador con dos tornillos.
18. Coloque el borde saliente de goma.
19. Pase el interruptor para asegurarse que el reflector está operando adecuadamente.

⚠ **ADVERTENCIA:** Pare reducir el riesgo de descarga eléctrica sólo reemplace con bombillos de 12 voltios y 75 vatios de tipo H3.

Reemplazo/desecho de la batería

Reemplazo de la batería

Se recomienda que la unidad sea devuelta al fabricante para el reemplazo de la batería. Comuníquese con Servicio al cliente, llamando a la línea gratuita **1-800-544-6986**.

Eliminación de la batería

Contiene una batería de plomo-ácido sellada, anti-derrame que no requiere mantenimiento, la cual debe ser eliminada de manera correcta. Se requiere reciclado (comuníquese con su autoridad local para más información). El incumplimiento de las reglamentaciones locales, estatales y federales pueden provocar multas o penas de prisión.



⚠ **ADVERTENCIAS**

- No deseche la batería en el fuego ya que puede ocasionar una explosión.
- Antes de desechar la batería, proteja las terminales descubiertas con cinta eléctrica para trabajos pesados. De esta manera previene cortos circuitos (los cortos circuitos pueden ocasionar lesiones e incendios).
- No exponga la batería al fuego o al calor extremo ya que puede explotar.
- Para más información acerca del reciclaje de la batería llame al número gratuito (877) 288-7722.

Reemplazo del fusible del enchufe del adaptador de carga de 12 Voltios CC

El fusible que está en la toma CC protege el circuito de carga del adaptador de recarga. Si el recargador CA opera pero el adaptador de carga CC no, el fusible puede estar abierto.

Para substituir el fusible:

1. Destornille la tapa trasera del enchufe de CC (en sentido contrario a las manecillas del reloj).
2. Retire el resorte central de contacto y el fusible.
3. Inspeccione el fusible con un control de continuidad.
4. En caso de estar quemado, busque un fusible de reemplazo de 8 amp/250 voltios.
5. Coloque el fusible, el resorte de contacto y el cobertor posterior.
6. Atornille la tapa trasera en sentido de las manecillas del reloj hasta que esté apretado. **NO LO APRIETE DEMASIADO.**
7. Asegúrese que el adaptador de carga CC esté funcionando de forma correcta.

DETECCIÓN DE PROBLEMAS

Durante la carga no se enciende el indicador LED del estado de carga de la batería

1. Verifique la conexión al cargador de 120 Voltios CA o al puerto de carga de 12 Voltios CC.
2. Verifique la conexión a la fuente de alimentación CA o CC.
3. Confirme que hay corriente CA o CC .

La unidad no funciona

1. El reflector no funciona mientras se está cargando. Asegúrese que todos los adaptadores están desconectados antes de usar el reflector.
2. Si sospecha que el bombillo está fundido, examine el filamento. Si el filamento está intacto y enroscado, el bombillo no está fundido. Si el bombillo está fundido, reemplácelo.
3. La batería puede estar descargada por completo. Cargue la unidad siguiendo las instrucciones en la página 4.
4. Si el reflector no funciona después de recargarlo como se indica, llame gratis al departamento de Apoyo Técnico al **1-800-544-6986**.

Para la ayuda con su producto, visite www.blackanddecker.com para la localización del centro de servicio lo más cerca posible usted o llame línea de la ayuda del Black & Decker en **1-800-544-6986**.

Accesorios

Los accesorios que se recomiendan para la herramienta están disponibles en su distribuidor local o en el centro de mantenimiento autorizado. Si necesita asistencia en relación con los accesorios, por favor llame al: **1-800-544-6986**.

⚠ ADVERTENCIA: El uso de accesorios no recomendados para utilizar con esta herramienta puede resultar peligroso.

INFORMACIÓN DE SERVICIO

Todos los Centros de mantenimiento de Black & Decker cuentan con personal capacitado dispuesto a brindar a los clientes un servicio eficiente y confiable en la reparación de herramientas eléctricas. Si necesita consejo técnico, reparaciones o piezas de repuesto originales de fábrica, póngase en contacto con el Centro de Servicio de Black & Decker más cercano a su domicilio. Para localizar su centro de mantenimiento local, consulte "Herramientas eléctricas" (Tools-Electric) en la sección de páginas amarillas o llame al: **1-800-544-6986** o visite www.blackanddecker.com.

GARANTÍA COMPLETA DE UN AÑO PARA USO DOMÉSTICO

Black & Decker (U.S.) Inc. ofrece una garantía de un año por cualquier defecto del material o de fabricación de este producto. El producto defectuoso se reparará o reemplazará sin costo alguno de dos maneras.

La primera opción, el reemplazo, es devolver el producto al comercio donde se lo adquirió (siempre y cuando se trate de un comercio participante). Las devoluciones deben realizarse conforme a la política de devolución del comercio (generalmente, entre 30 y 90 días posteriores a la venta). Le pueden solicitar comprobante de compra. Consulte en el comercio acerca de la política especial sobre devoluciones una vez excedido el plazo establecido.

La segunda opción es llevar o enviar el producto (con flete pago) a un Centro de mantenimiento propio o autorizado de Black & Decker para su reparación o reemplazo según nuestro criterio. Le pueden solicitar comprobante de compra. Encontrará una lista de los Centros de mantenimiento autorizados y de propiedad de Black & Decker bajo "Herramientas eléctricas" (Tools-Electric) en las páginas amarillas de la guía telefónica y también en nuestro sitio Web www.blackanddecker.com.

Esta garantía no se extiende a los accesorios. Esta garantía le concede derechos legales específicos; usted puede tener otros derechos que pueden variar según el estado o la provincia. Si tiene alguna pregunta, comuníquese con el Centro de mantenimiento de Black & Decker más cercano. Este producto no está diseñado para uso comercial.

REEMPLAZO GRATUITO DE LA ETIQUETA DE PRECAUCIONES: Si sus etiquetas de advertencia se vuelven ilegibles o faltan, llame al **1-800-544-6986** para que se le reemplacen gratuitamente.

ESPECIFICACIONES

Bombillo para reflector: 12 voltios y 75 vatios de tipo H3
 Batería: Ácido de plomo sellado, 12 voltios, 3 amperios por hora
 No requiere mantenimiento
 Cargador CA: UL clase 2 listado, 12 voltios CC (300 mA)
 Fusible de conexión CC: 8 A/250 V
 Importado por
 Black & Decker (U.S.) Inc.,
 701 E. Joppa Rd.
 Towson, MD 21286 U.S.A.

SOLAMENTE PARA PROPOSITOS DE MEXICO

Grupo Realsa en herramientas, S.A. de C.V.

Súper Manzana 69 MZ.01
 Lote 30
 (Av. Torcasita)
 Col. Puerto Juárez
 Cancún, Quintana Roo
 Tel. 01 998 884 72 27

Ferre Pat de Puebla, S.A. de C.V.

16 de Septiembre No. 6149
 Col. El Cerrito
 Puebla, Puebla
 Tel. 01 222 264 12 12

Ferre Pat de Puebla, S.A. de C.V.

Ejército Mexicano No. 15
 Col. Ejido 1ro. de Mayo
 Boca del Río, Veracruz
 Tel. 01 229 167 89 89

Servicio de Fabrica

Black & Decker, S.A. de C.V.
 Lázaro Cardenas No. 18
 Col. Obrera
 Distrito Federal
 Tel. 55 88 95 02

Representaciones Industriales Robles, S.A. de C.V.

Tezozomoc No. 89
 Col. La Preciosa
 Distrito Federal
 Tel. 55 61 86 82

Gpo. Comercial de Htas. y Refacciones de Occidente, S.A. de C.V.

Av. La Paz No. 1779
 Col. Americana, S. Juaréz
 Guadalajara, Jalisco
 Tel. 01 33 38 25 69 78

Herramientas y Equipos Profesionales

Av. Colón 2915 Ote.
 Col. Francisco I. Madero
 Monterrey, Nvo. León
 Tel. 01 81 83 54 60 06

Htas. Portátiles de Chihuahua, S.A. de C.V.

Av. Universidad No. 2903
 Col. Fracc. Universidad
 Chihuahua, Chihuahua
 Tel. 01 614 413 64 04

Fernando González Armenta

Bolivia No. 605
 Col. Felipe Carrillo Puerto
 Cd. Madero, Tampico
 Tel. 01 833 221 34 50

Perfiles y Herramientas de Morelia

Gertrudis Bocanegra
 No. 898
 Col. Ventura Puente
 Morelia, Michoacán
 Tel. 01 443 313 85 50

Enrique Robles

Av. de la Solidaridad
 No. 12713
 Col. La Pradera
 Irapuato, Guanajuato
 Tel. 01 462 626 67 39

Hernández Martínez

Jeanette
 Prolongación Corregidora
 Nte. No. 1104
 Col. Arboledas
 Queretaro, Qro.
 Tel. 01 442 245 25 80

PARA OTRAS LOCALIDADES LLAME AL 01 800 847 2309 o 01 800 847 2312.

**Vea "Herramientas
eléctricas (Tools-Electric)"
- Páginas amarillas -
para Servicio y ventas**



BLACK & DECKER S.A. DE C.V.
BOSQUES DE CIDROS ACCESO RADIATAS NO. 42
COL. BOSQUES DE LAS LOMAS.
 05120 MEXICO, D.F.
 TEL. (01 55) 5326 7100
 01 800 847 2309/01 800 847 2312

Free Manuals Download Website

<http://myh66.com>

<http://usermanuals.us>

<http://www.somanuals.com>

<http://www.4manuals.cc>

<http://www.manual-lib.com>

<http://www.404manual.com>

<http://www.luxmanual.com>

<http://aubethermostatmanual.com>

Golf course search by state

<http://golfingnear.com>

Email search by domain

<http://emailbydomain.com>

Auto manuals search

<http://auto.somanuals.com>

TV manuals search

<http://tv.somanuals.com>