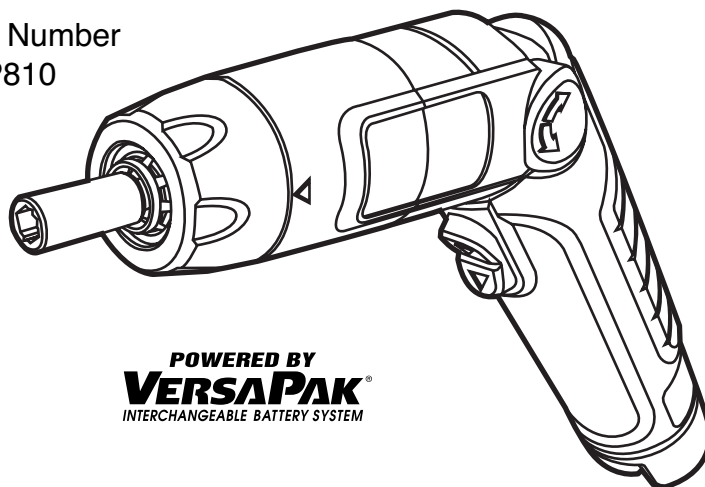


 **BLACK & DECKER®**

3.6 Volt 3 Position Pivot Screwdriver

INSTRUCTION MANUAL

Catalog Number
VP810



POWERED BY
VERSAPAK®
INTERCHANGEABLE BATTERY SYSTEM

THANK YOU FOR CHOOSING BLACK & DECKER!
GO TO WWW.BLACKANDDECKER.COM/NEWOWNER
TO REGISTER YOUR NEW PRODUCT.

**BEFORE RETURNING THIS PRODUCT
FOR ANY REASON PLEASE CALL
1-800-544-6986**

BEFORE YOU CALL, HAVE THE CATALOG No. AND DATE CODE AVAILABLE. IN MOST CASES, A
BLACK & DECKER REPRESENTATIVE CAN RESOLVE THE PROBLEM OVER THE PHONE. IF YOU HAVE
A SUGGESTION OR COMMENT, GIVE US A CALL. YOUR FEEDBACK IS VITAL TO BLACK & DECKER.

SAVE THIS MANUAL FOR FUTURE REFERENCE.

VEA EL ESPAÑOL EN LA CONTRAPORTADA.

INSTRUCTIVO DE OPERACIÓN, CENTROS DE SERVICIO Y PÓLIZA DE GARANTÍA.
ADVERTENCIA: LÉASE ESTE INSTRUCTIVO ANTES DE USAR EL PRODUCTO.

General Safety Rules

⚠WARNING! Read all instructions. Failure to follow all instructions listed below may result in electric shock, fire and/or serious injury. The term “power tool” in all of the warnings listed below refers to your mains-operated (corded) power tool or battery-operated (cordless) power tool.

SAVE THESE INSTRUCTIONS

1) Work area safety

- a) **Keep work area clean and well lit.** *Cluttered or dark areas invite accidents.*
- b) **Do not operate power tools in explosive atmospheres, such as in the presence of flammable liquids, gases or dust.** *Power tools create sparks which may ignite the dust or fumes.*
- c) **Keep children and bystanders away while operating a power tool.** *Distractions can cause you to lose control.*

2) Electrical safety

- a) **Power tool plugs must match the outlet. Never modify the plug in any way. Do not use any adapter plugs with earthed (grounded) power tools.** *Unmodified plugs and matching outlets will reduce risk of electric shock.*
- b) **Avoid body contact with earthed or grounded surfaces such as pipes, radiators, ranges and refrigerators.** *There is an increased risk of electric shock if your body is earthed or grounded.*
- c) **Do not expose power tools to rain or wet conditions.** *Water entering a power tool will increase the risk of electric shock.*
- d) **Do not abuse the cord. Never use the cord for carrying, pulling or unplugging the power tool. Keep cord away from heat, oil, sharp edges or moving parts.** *Damaged or entangled cords increase the risk of electric shock.*
- e) **When operating a power tool outdoors, use an extension cord suitable for outdoor use.** *Use of a cord suitable for outdoor use reduces the risk of electric shock.*

3) Personal safety

- a) **Stay alert, watch what you are doing and use common sense when operating a power tool. Do not use a power tool while you are tired or under the influence of drugs, alcohol or medication.** *A moment of inattention while operating power tool may result in serious personal injury.*
- b) **Use safety equipment. Always wear eye protection.** *Safety equipment such as dust mask, non-skid safety shoes, hard hat, or hearing protection used for appropriate conditions will reduce personal injuries.*
- c) **Avoid accidental starting. Ensure the switch is in the off-position before plugging in.** *Carrying power tools with your finger on the switch or plugging in power tools that have the switch on invites accidents.*
- d) **Remove any adjusting key or wrench before turning the power tool on.** *A wrench or a key left attached to a rotating part of the power tool may result in personal injury.*
- e) **Do not overreach. Keep proper footing and balance at all times.** *This enables better control of the power tool in unexpected situations.*
- f) **Dress properly. Do not wear loose clothing or jewelry. Keep your hair, clothing and gloves away from moving parts.** *Loose clothes, jewelry or long hair can be caught in moving parts. Air vents often cover moving parts and should also be avoided.*
- g) **If devices are provided for the connection of dust extraction and collection facilities, ensure these are connected and properly used.** *Use of these devices can reduce dust-related hazards.*

4) Power tool use and care

- a) **Do not force the power tool. Use the correct power tool for your application.** *The correct power tool will do the job better and safer at the rate for which it was designed.*
- b) **Do not use the power tool if the switch does not turn it on and off.** *Any power tool that cannot be controlled with the switch is dangerous and must be repaired.*

- c) **Disconnect the plug from the power source and/or the battery pack from the power tool before making any adjustments, changing accessories, or storing power tools.** *Such preventive safety measures reduce the risk of starting the power tool accidentally.*
 - d) **Store idle power tools out of the reach of children and do not allow persons unfamiliar with the power tool or these instructions to operate the power tool.** *Power tools are dangerous in the hands of untrained users.*
 - e) **Maintain power tools. Check for misalignment or binding of moving parts, breakage of parts and any other condition that may affect the power tool's operation. If damaged, have the power tool repaired before use.** *Many accidents are caused by poorly maintained power tools.*
 - f) **Keep cutting tools sharp and clean.** *Properly maintained cutting tools with sharp cutting edges are less likely to bind and are easier to control.*
 - g) **Use the power tool, accessories and tool bits etc., in accordance with these instructions and in the manner intended for the particular type of power tool, taking into account the working conditions and the work to be performed.** *Use of the power tool for operations different from those intended could result in a hazardous situation.*
- 5) Battery tool use and care**
- a) **Ensure the switch is in the off position before inserting battery pack.** *Inserting the battery pack into power tools that have the switch on invites accidents.*
 - b) **Recharge only with the charger specified by the manufacturer.** *A charger that is suitable for one type of battery pack may create a risk of fire when used with another battery pack.*
 - c) **Use power tools only with specifically designated battery packs.** *Use of any other battery packs may create a risk of injury and fire.*
 - d) **When battery pack is not in use, keep it away from other metal objects like paper clips, coins, keys, nails, screws, or other small metal objects that can make a connection from one terminal to another.** *Shorting the battery terminals together may cause burns or a fire.*
 - e) **Under abusive conditions, liquid may be ejected from the battery, avoid contact. If contact accidentally occurs, flush with water. If liquid contacts eyes, additionally seek medical help.** *Liquid ejected from the battery may cause irritation or burns.*
- 6) Service**
- a) **Have your power tool serviced by a qualified repair person using only identical replacement parts.** *This will ensure that the safety of the power tool is maintained.*

SPECIFIC SAFETY RULES

- **Hold tool by insulated gripping surfaces when performing an operation where the cutting tool may contact hidden wiring or its own cord.** Contact with a "live" wire will make exposed metal parts of the tool "live" and shock the operator.
- **Use clamps or another practical way to secure and support the workpiece to a stable platform.** Holding the work by hand or against your body leaves it unstable and may lead to loss of control.
- ⚠ **WARNING: Some dust created by power sanding, sawing, grinding, drilling, and other construction activities contains chemicals known to cause cancer, birth defects or other reproductive harm. Some examples of these chemicals are:**
 - lead from lead-based paints,
 - crystalline silica from bricks and cement and other masonry products, and
 - arsenic and chromium from chemically-treated lumber (CCA).Your risk from these exposures varies, depending on how often you do this type of work. To reduce your exposure to these chemicals: work in a well ventilated area, and work with approved safety equipment, such as those dust masks that are specially designed to filter out microscopic particles.
- **Avoid prolonged contact with dust from power sanding, sawing, grinding, drilling, and other construction activities. Wear protective clothing and wash exposed areas with soap and water.** Allowing dust to get into your mouth, eyes, or lay on the skin may promote absorption of harmful chemicals.

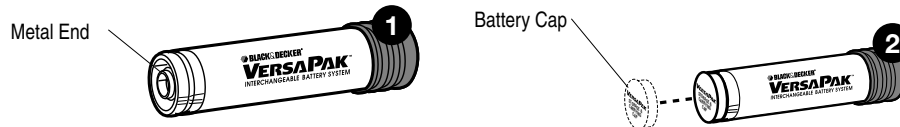
⚠ WARNING: Use of this tool can generate and/or disperse dust, which may cause serious and permanent respiratory or other injury. Always use NIOSH/OSHA approved respiratory protection appropriate for the dust exposure. Direct particles away from face and body.

The label on your tool may include the following symbols.

V	volts	A	amperes
Hz	hertz	W	watts
min	minutes	~	alternating current
— — —	direct current	n ₀	no load speed
☐	Class II Construction	⊕	earthing terminal
⚠	safety alert symbol	.../min	revolutions or reciprocations per minute

BATTERY CAP INFORMATION

Battery storage and carrying caps are provided for use whenever the battery is out of the tool or charger. Remove cap before placing battery in charger or tool.



⚠ WARNING! Do not store or carry battery so that metal objects can contact exposed battery terminals (1). For example, do not place battery in aprons, pockets, tool boxes, product kit boxes, drawers, etc. with loose nails, screws, keys, etc. without battery cap (2). Transporting batteries can possibly cause fires if the battery terminals inadvertently come in contact with conductive materials such as keys, coins, hand tools and the like. The US Department of Transportation Hazardous Material Regulations (HMR) actually prohibit transporting batteries in commerce or on airplanes (i.e. packed in suitcases and carryon luggage) UNLESS they are properly protected from short circuits. So when transporting individual batteries, make sure that the battery terminals are protected and well insulated from materials that could contact them and cause a short circuit.

⚠ Safety Warnings and Instructions: Charging

IMPORTANT SAFETY INSTRUCTIONS (FOR BATTERY AND CHARGER)

- Never attempt to open the battery for any reason. If the housing of the battery breaks or cracks, immediately discontinue use and do not recharge.
- Do not incinerate the batteries. They can explode in a fire. A small leakage of liquid from the battery cells may occur under extreme usage, charging or temperature conditions. This does not indicate a failure. However, if the outer seal is broken and this leakage gets on your skin:
 - a. Wash quickly with soap and water.
 - b. Neutralize with a mild acid such as lemon juice or vinegar.
 - c. If the battery liquid gets in your eyes, flush them with clean water for a minimum of 10 minutes and seek immediate medical attention.

MEDICAL NOTE: The liquid is a 25-35% solution of potassium hydroxide.

- Charge batteries only with VersaPak battery charger.
- Do not use charger in wet or damp conditions. It is intended for indoor use only. Do not use near sinks, tubs, or the like. Do not immerse in water.
- Do not use charger for any uses other than charging VersaPak batteries. Other batteries may explode.
- Do not operate charger with damaged cord or plug — have them replaced immediately.
- Do not operate charger if it has received a sharp blow, been dropped, or otherwise damaged in any way; take it to a qualified Black & Decker service center.

- Do not disassemble charger; take it to a qualified Black & Decker service center when service or repair is required. Incorrect reassembly may result in risk of electric shock or fire. There are no consumer serviceable parts inside.
- For best results, do not charge batteries when they or air temperature is BELOW +40°F or ABOVE +105°F.
- The charger is designed to operate on standard household electrical power. Do not attempt to use it on any other voltage. Be sure your power supply agrees with the nameplate marking.
- Unplug charger when not in use.
- Do not abuse charger cord. To reduce the risk of damage to electric plug and cord, never carry charger by cord or yank it to disconnect from receptacle. Keep charger cord from heat, oil, and sharp edges.
- Use only charger supplied by the manufacturer to recharge.
- Use only under adult supervision, keep out of the reach of children.
- Ensure outlet is secured and completely intact. Do not plug charger into a loose wall outlet.

IMPORTANT CHARGING NOTES

- While charging, the charger transformer may hum and batteries and charger become warm. This is a normal condition and does not indicate a problem.
 - If a battery does not charge properly— (1) Check current at receptacle by plugging in a lamp or other appliance. (2) Check to see if receptacle is connected to a light switch which turns power off when you turn out the lights. (3) Move charger and batteries to a surrounding air temperature of +40°F to +105°F. (4) If the receptacle and temperature are oK, and you do not get proper charging, take or send the batteries and charger to your local Black & Decker service center. See “Tools Electric” in yellow pages.
 - The batteries should be recharged when they fail to produce sufficient power on jobs which were easily done previously. DO NOT CONTINUE to use the tool with its batteries in a depleted condition.
 - Before using battery charger, read all instructions and cautionary markings on battery charger, battery and product using battery.
- ⚠ **CAUTION:** To reduce the risk of injury, charge only nickel cadmium rechargeable batteries. Other types of batteries may burst causing personal injury and damage.

SAVE THESE INSTRUCTIONS

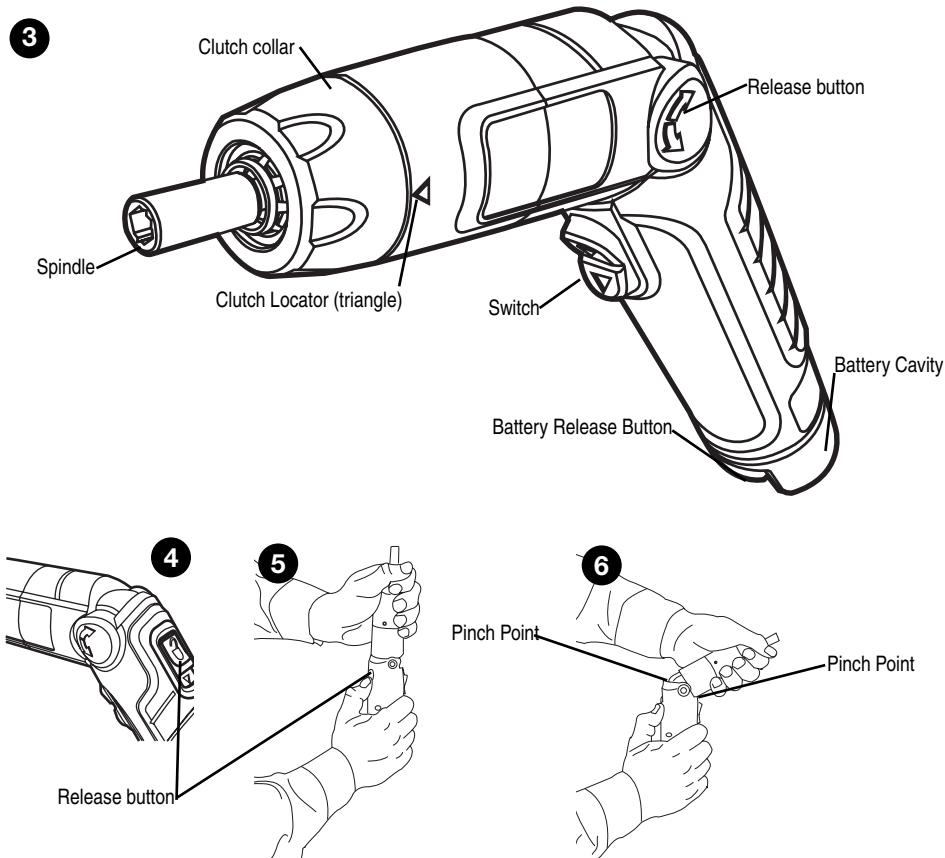
CHARGING PROCEDURE

Insert the metal end of the VersaPak battery into the charger. The indicator light will glow indicating that charging is taking place and will remain on as long as the battery is in the charger. Continuous charging is not a safety concern.

NOTE: Your VersaPak battery was sent from the factory in an uncharged condition. Before attempting to use it for the first time, it must be charged for 6 hours. Subsequent charging for most fix up jobs will require 3-6 hours.

⚠ Safety Warnings and Instructions: Drilling

- Hold tool firmly to control its twisting action.
- ⚠ **WARNING: Tool may stall (if overloaded or improperly used) causing a twist. To reduce the risk of injury always expect the stall. Grip the tool firmly to control the twisting action and prevent loss of control which could cause personal injury. If a stall does occur, release the trigger immediately and determine the reason for the stall before re-starting.**



Operating Instructions

REMOVING AND INSTALLING BITS

To install a bit simply insert it into the cavity in the spindle. To remove bit, pull straight out.

REMOVING AND INSTALLING THE BATTERY

NOTE: VERSAPAK™ BATTERIES ARE NOT FULLY CHARGED AT THE FACTORY.

To install the battery into the tool, slide it into the handle until it clicks into place.

To remove the VersaPak™ battery from the tool, press the release button, (Fig. 3), and pull the battery out of the tool.

NOTE: Battery caps are provided for use when carrying batteries or while battery is stored in a pocket, tool box, etc. Remove cap before placing battery in charger or tool.

Install the battery cap, (Fig. 2), by snapping it in place. To remove the cap, simply pull it off.

SWITCH

To turn the tool ON in a forward direction, press the top section of the rocker switch and the tool will run. To operate in reverse, press the bottom section of the rocker switch and the tool will run. Without depressing the rocker switch the tool is locked and will act as any conventional, non-powered screwdriver.

TORQUE CONTROL

Your screwdriver is equipped with an adjustable clutch control feature. When the tool reaches the preselected torque setting the clutch slips, thus limiting how tightly a screw is driven.

NOTE: The tool's motor will continue to run as long as the switch button is depressed.

To set the tool's torque, rotate the adjustable clutch collar (Fig. 3) clockwise or counterclockwise as required. The higher the number, the higher the torque. Each click in a clockwise direction (facing the spindle) means an increase in the torque produced.

TWO POSITION SCREWDRIVER

To convert the tool to an angled screwdriver pull back on the release button shown in Fig. 4 and rotate the top portion of the tool as shown in Figures 5 and 6.

⚠️ TWO POSITION SCREWDRIVER WARNINGS:

- To avoid being pinched, hold the screwdriver as shown in Figures 5 and 6 when changing positions.
- Do not use screwdriver as a pry bar in either position.
- To avoid screwdriver being turned on accidentally, do not carry in your pocket.

MAINTENANCE

Use only mild soap and damp cloth to clean the tool. Never let any liquid get inside the tool; never immerse any part of the tool into a liquid.

IMPORTANT: To assure product SAFETY and RELIABILITY, repairs, maintenance and adjustment (other than those listed in this manual) should be performed by authorized service centers or other qualified service personnel, always using identical replacement parts.

ACCESSORIES

Recommended accessories for use with your tool are available from your local dealer or authorized service center. If you need assistance regarding accessories, please call:

1-800-544-6986.

⚠️ **WARNING:** The use of any accessory not recommended for use with this tool could be hazardous.

THE RBRC™ SEAL

The RBRC™ (Rechargeable Battery Recycling Corporation) Seal on the nickel-metal hydride battery (or battery pack) indicates that the costs to recycle the battery (or battery pack) at the end of its useful life have already been paid by Black & Decker. In some areas, it is illegal to place spent nickel-metal hydride batteries in the trash or municipal solid waste stream and the RBRC program provides an environmentally conscious alternative.

RBRC in cooperation with Black & Decker and other battery users, has established programs in the United States and Canada to facilitate the collection of spent nickel-metal hydride batteries. Help protect our environment and conserve natural resources by returning the spent nickel-metal hydride battery to an authorized Black & Decker service center or to your local retailer for recycling. You may also contact your local recycling center for information on where to drop off the spent battery, or call **1-800-8-BATTERY**.



Troubleshooting

Problem

- Battery will not charge.

Possible Cause

- Charger not plugged into a working outlet.
- Surrounding air temperature too hot or too cold.

Possible Solution

- Plug charger into a working outlet. Refer to "Important Charging Notes" for more details.
- Check current at receptacle by plugging in a lamp or other appliance.
- Check to see if receptacle is connected to a light switch which turns power off when you turn out the lights.
- Move charger and tool to a surrounding air temperature of above 40 degree F (4,5°C) or below 105 degree F (+40,5°C).
- Move collar position to "2" drill mode.
- Move collar position to a lower setting.
- Move collar position to a higher setting.

- Tool will not drill.
- Screws stripping
- Screws not fully seated.

- Torque adjustment collar in wrong position
- Torque adjustment collar setting too high.
- Torque adjustment collar setting too low.

For assistance with your product, visit our website www.blackanddecker.com for the location of the service center nearest you or call the BLACK & DECKER help line at **1-800-544-6986**.

SERVICE INFORMATION

All Black & Decker Service Centers are staffed with trained personnel to provide customers with efficient and reliable power tool service. Whether you need technical advice, repair, or genuine factory replacement parts, contact the Black & Decker location nearest you. To find your local service location, refer to the yellow page directory under "Tools—Electric" or call: **1-800-544-6986** or visit www.blackanddecker.com

FULL TWO-YEAR HOME USE WARRANTY

Black & Decker (U.S.) Inc. warrants this product for two years against any defects in material or workmanship. The defective product will be replaced or repaired at no charge in either of two ways.

The first, which will result in exchanges only, is to return the product to the retailer from whom it was purchased (provided that the store is a participating retailer). Returns should be made within the time period of the retailer's policy for exchanges (usually 30 to 90 days after the sale). Proof of purchase may be required. Please check with the retailer for their specific return policy regarding returns that are beyond the time set for exchanges.

The second option is to take or send the product (prepaid) to a Black & Decker owned or authorized Service Center for repair or replacement at our option. Proof of purchase may be required. Black & Decker owned and authorized Service Centers are listed under "Tools-Electric" in the yellow pages of the phone directory and on our website www.blackanddecker.com.

This warranty does not apply to accessories. This warranty gives you specific legal rights and you may have other rights which vary from state to state. Should you have any questions, contact the manager of your nearest Black & Decker Service Center. This product is not intended for commercial use.

FREE WARNING LABEL REPLACEMENT: If your warning labels become illegible or are missing, call 1-800-544-6986 for a free replacement.

Imported by
Black & Decker (U.S.) Inc.,
701 E. Joppa Rd.
Towson, MD 21286 U.S.A.



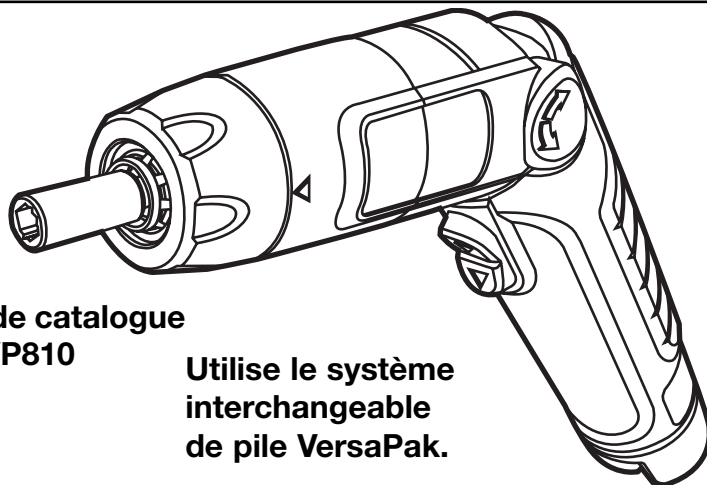
See 'Tools-
Electric'
- Yellow Pages -
for Service &
Sales



BLACK & DECKER®

Tournevis avec mécanisme de pivotement à 2 positions de 3,6 volts

MODE D'EMPLOI



**N° de catalogue
VP810**

**Utilise le système
interchangeable
de pile VersaPak.**

**MERCI D'AVOIR CHOISI BLACK & DECKER !
VISITEZ WWW.BLACKANDDECKER.COM/NEWOWNER
POUR ENREGISTRER VOTRE NOUVEAU PRODUIT.**

**AVANT DE RETOURNER CE PRODUIT POUR QUELQUE
RAISON QUE CE SOIT, COMPOSER LE**

1-800-544-6986

**AVANT D'APPELER, AYEZ EN MAIN LE N° DE CATALOGUE ET LE CODE DE DATE. DANS LA PLUPART
DES CAS, UN REPRÉSENTANT DE BLACK & DECKER PEUT RÉSOUDRE LE PROBLÈME PAR
TÉLÉPHONE. SI VOUS AVEZ UNE SUGGESTION OU UN COMMENTAIRE, APPELEZ-NOUS. VOS
IMPRESSIONS SONT CRUCIALES POUR BLACK & DECKER.**

CONSERVER CE MANUEL POUR UN USAGE ULTÉRIEUR.

Règles de sécurité générales

⚠ AVERTISSEMENT! Lire toutes les directives. Tout manquement aux directives suivantes pose des risques de choc électrique, d'incendie et/ou de blessure grave. Le terme « outil électrique » dans tous les avertissements ci-après se rapporte à votre outil électrique à alimentation sur secteur (avec fil) ou par piles (sans fil).

CONSERVER CES DIRECTIVES

1) Sécurité du lieu de travail

- a) **Tenir la zone de travail propre et bien éclairée.** *Les endroits sombres sont souvent des causes d'accidents.*
- b) **Ne pas faire fonctionner d'outils électriques dans un milieu déflasant, soit en présence de liquides inflammables, de gaz ou de poussière.** *Les outils électriques produisent des étincelles qui peuvent enflammer la poussière ou les vapeurs.*
- c) **Éloigner les enfants et les curieux au moment d'utiliser un outil électrique.** *Une distraction pourrait vous en faire perdre la maîtrise.*

2) Sécurité en matière d'électricité

- a) **Les fiches des outils électriques doivent correspondre à la prise. Ne jamais modifier la fiche en aucune façon.** *Ne jamais utiliser de fiche d'adaptation avec un outil électrique mis à la terre. Le risque de choc électrique sera réduit par l'utilisation de fiches non modifiées correspondant à la prise.*
- b) **Éviter tout contact physique avec des surfaces mises à la terre comme des tuyaux, des radiateurs, des cuisinières et des réfrigérateurs.** *Le risque de choc électrique est plus élevé si votre corps est mis à la terre.*
- c) **Ne pas exposer les outils électriques à la pluie ou à d'autres conditions où il pourrait être mouillé.** *La pénétration de l'eau dans un outil électrique augmente le risque de choc électrique.*
- d) **Ne pas utiliser abusivement le cordon d'alimentation. Ne jamais utiliser le cordon pour transporter, tirer ou débrancher un outil électrique. Tenir le cordon éloigné de la chaleur, de l'huile, des bords tranchants ou des pièces mobiles.** *Les cordons endommagés ou emmêlés augmentent les risques de choc électrique.*
- e) **Pour l'utilisation d'un outil électrique à l'extérieur, se servir d'une rallonge convenant à une telle utilisation.** *L'utilisation d'une rallonge conçue pour l'extérieur réduit les risques de choc électrique.*

3) Sécurité personnelle

- a) **Être vigilant, surveiller le travail effectué et faire preuve de jugement lorsqu'un outil électrique est utilisé. Ne pas utiliser d'outil électrique en cas de fatigue ou sous l'influence de drogues, d'alcool ou de médicaments.** *Un moment d'inattention, durant l'utilisation d'un outil électrique, peut se solder par des blessures graves.*
- b) **Utiliser un équipement de sécurité. Toujours porter une protection oculaire.** *L'utilisation d'un équipement de sécurité comme un masque anti-poussières, des chaussures antidérapantes, un casque de sécurité ou des protecteurs auditifs lorsque la situation le requiert réduira les risques de blessures corporelles.*
- c) **Attention de ne pas mettre en marche l'outil accidentellement. S'assurer que l'interrupteur est en position d'arrêt avant tout branchement.** *Transporter un outil électrique alors que le doigt est sur l'interrupteur ou brancher un outil électrique alors que l'interrupteur est en position de marche risque de causer un accident.*
- d) **Retirer toute clé de réglage ou clé standard avant de démarrer l'outil.** *Une clé standard ou une clé de réglage attachée à une partie pivotante peut causer des blessures.*
- e) **Ne pas trop tendre les bras. Conserver son équilibre en tout temps.** *Cela permet de mieux maîtriser l'outil électrique dans les situations imprévues.*

- f) **S'habiller de manière appropriée. Ne pas porter de vêtements amples ni de bijoux. Maintenir cheveux, vêtements et gants éloignés des pièces mobiles.** *Les vêtements amples, bijoux ou cheveux longs pourraient s'enchevêtrer dans les pièces mobiles.*
- g) **Si des composants sont fournis pour le raccordement de dispositifs de dépoussiérage et de ramassage, s'assurer que ceux-ci sont bien raccordés et utilisés.** *L'utilisation de ces dispositifs peut réduire les risques engendrés par les poussières.*
- 4) Utilisation et entretien d'un outil électrique**
- a) **Ne pas forcer un outil électrique. Utiliser l'outil électrique approprié à l'application.** *L'outil électrique approprié effectuera un meilleur travail, de façon plus sûre et à la vitesse pour laquelle il a été conçu.*
- b) **Ne pas utiliser un outil électrique dont l'interrupteur est défectueux.** *Tout outil électrique dont l'interrupteur est défectueux est dangereux et doit être réparé.*
- c) **Débrancher la fiche du secteur ou le bloc-piles de l'outil électrique avant de faire tout réglage ou changement d'accessoire, ou avant de ranger l'outil électrique.** *Ces mesures préventives réduisent les risques de démarrage accidentel de l'outil électrique.*
- d) **Ranger les outils électriques hors de la portée des enfants, et ne permettre à aucune personne n'étant pas familière avec un outil électrique (ou son manuel d'instruction) d'utiliser ce dernier.** *Les outils électriques deviennent dangereux entre les mains d'utilisateurs inexpérimentés.*
- e) **Entretien des outils électriques. Vérifier les pièces mobiles pour s'assurer qu'elles sont bien alignées et tournent librement, qu'elles sont en bon état et ne sont affectées par aucun trouble susceptible de nuire au bon fonctionnement de l'outil électrique. En cas de dommage, faire réparer l'outil électrique avant toute nouvelle utilisation.** *Beaucoup d'accidents sont causés par des outils électriques mal entretenus.*
- f) **S'assurer que les outils de coupe sont aiguisés et propres.** *Les outils de coupe bien entretenus et affûtés sont moins susceptibles de se coincer et sont plus faciles à contrôler.*
- g) **Utiliser l'outil électrique, les accessoires, les mèches, etc., conformément aux présentes directives et suivant la manière prévue pour ce type particulier d'outil électrique, en tenant compte des conditions de travail et du travail à effectuer.** *L'utilisation d'un outil électrique pour toute opération autre que celle pour laquelle il a été conçu est dangereuse.*
- 5) Utilisation et entretien du bloc-piles**
- a) **S'assurer que l'interrupteur se trouve à la position d'arrêt avant d'insérer le bloc-piles.** *Insérer un bloc-piles dans un outil électrique dont l'interrupteur est à la position de marche risque de provoquer un accident.*
- b) **Ne recharger l'outil qu'au moyen du chargeur précisé par le fabricant.** *L'utilisation d'un chargeur qui convient à un type de bloc-piles risque de provoquer un incendie s'il est utilisé avec un autre type de bloc-piles.*
- c) **Utiliser les outils électriques uniquement avec les blocs-piles conçus à cet effet.** *L'utilisation de tout autre bloc-piles risque de causer des blessures ou un incendie.*
- d) **Lorsque le bloc-piles n'est pas utilisé, le tenir éloigné des objets métalliques, notamment des trombones, de la monnaie, des clés, des clous, des vis, etc., qui peuvent établir une connexion entre les deux bornes.** *Le court-circuit des bornes du bloc-piles risque de provoquer des étincelles, des brûlures ou un incendie.*
- e) **En cas d'utilisation abusive, le liquide peut gicler hors du bloc-piles, éviter tout contact. Si un contact accidentel se produit, laver à grande eau. Si le liquide entre en contact avec les yeux, obtenir des soins médicaux.** *Le liquide qui giclé hors du bloc-piles peut provoquer des irritations ou des brûlures.*

6) Réparation

- a) **Faire réparer l'outil électrique par un réparateur professionnel en n'utilisant que des pièces de rechange identiques.** *Cela permettra de maintenir une utilisation sécuritaire de l'outil électrique.*

RÈGLES DE SÉCURITÉ SPÉCIFIQUES

- **Saisir l'outil par ses surfaces de grippe isolées lorsqu'on découpe et que l'outil pourrait entrer en contact avec un fil sous tension caché ou son propre cordon.** Le contact avec des fils sous tension rend les pièces métalliques à découvert de l'outil sous tension et présente des risques d'électrocution.
- **Utiliser des brides de fixation ou un autre dispositif de fixation permettant de fixer solidement et de soutenir la pièce sur une plateforme stable.** *Tenir la pièce avec la main ou contre son corps la rend instable et risque de provoquer une perte de maîtrise de l'outil.*

⚠ AVERTISSEMENT : certains outils électriques, tels que les sableuses, les scies, les meules, les perceuses ou certains autres outils de construction, peuvent produire de la poussière contenant des produits chimiques susceptibles d'entraîner le cancer, des malformations congénitales ou pouvant être nocifs pour le système reproductif. Parmi ces produits chimiques, on retrouve :

- le plomb dans les peintures à base de plomb,
- la silice cristalline dans les briques et le ciment et autres produits de maçonnerie,
- l'arsenic et le chrome dans le bois de sciage ayant subi un traitement chimique (comme l'arséniate de cuivre et de chrome).

Le risque associé à de telles expositions varie selon la fréquence avec laquelle on effectue ces travaux. Pour réduire l'exposition à de tels produits, il faut travailler dans un endroit bien aéré et utiliser le matériel de sécurité approprié, tel un masque anti-poussières spécialement conçu pour filtrer les particules microscopiques.

- **Éviter tout contact prolongé avec la poussière soulevée par cet outil ou autres outils électriques. Porter des vêtements de protection et nettoyer les parties exposées du corps avec de l'eau savonneuse.** S'assurer de bien se protéger afin d'éviter d'absorber par la bouche, les yeux ou la peau des produits chimiques nocifs.

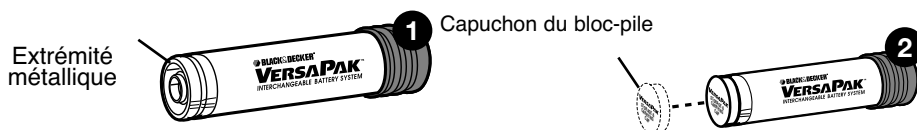
⚠ AVERTISSEMENT : cet outil peut produire et répandre de la poussière susceptible de causer des dommages sérieux et permanents au système respiratoire. Toujours utiliser un appareil respiratoire anti-poussières approuvé par le NIOSH ou l'OSHA. Diriger les particules dans le sens opposé du visage et du corps.

L'étiquette de l'outil peut comporter les symboles suivants.

V	volts	A	ampères
Hz	hertz	W	watts
min	minutes	~	courant alternatif
====	courant continu	n _o	sous vide
☐	Construction de classe II	⊕	borne de mise à la minute
⚠	symbole d'avertissement	.../min	tours ou courses à la minute

INFORMATION CONCERNANT LE CAPUCHON DU BLOC-PILE

Un capuchon est fourni avec le bloc-pile en vue d'être utilisé chaque fois qu'on retire ce dernier de l'outil ou du chargeur en vue de le ranger ou de le transporter; enlever le capuchon avant de remettre le bloc-pile dans le chargeur ou dans l'outil.



⚠ AVERTISSEMENT : S'assurer, au moment de ranger ou de transporter un bloc-pile ou une pile, qu'aucun objet métallique n'entre en contact avec leurs bornes à découvert de celui-ci. (1) Par exemple, il faut éviter de placer un bloc-pile ou une pile sans capuchon dans un tablier, une poche, une boîte à outils ou un tiroir (etc.) contenant des objets tels que des clous, des vis ou des clés, (2) car tout contact entre les bornes à découvert et un objet métallique comme une clé, une pièce de monnaie, un outil à main. etc. pourrait causer un incendie. En effet, les règlements américains Hazardous Material Regulations (HMR) du US Department of Transportation interdisent le transport d'un bloc-pile ou d'une pile dans tout moyen de transport commercial ou aéronef (que ce soit dans une valise ou le bagage de cabine) SAUF s'ils sont bien protégés contre les courts-circuits. On doit donc s'assurer, lorsqu'on transporte un bloc-pile ou une pile séparément, de bien protéger et isoler les bornes contre tout matériau qui risque d'entrer en contact avec eux et de causer un court-circuit.

⚠ Avertissements de sécurité et directives : chargement

DIRECTIVES DE SÉCURITÉ IMPORTANTES (POUR LA PILE ET LE CHARGEUR)

- Ne jamais tenter d'ouvrir la batterie, pour quelque raison que ce soit. Si le boîtier de la pile se brise ou se fissure, interrompre immédiatement son utilisation et ne pas la recharger.
- Ne pas incinérer les piles. Ils pourraient exploser en présence de flammes. Une petite fuite de liquide peut se produire dans les cellules de pile en cas d'utilisation extrême, de charge ou de conditions de température. Cela n'indique pas de défaillance. Toutefois, si le joint d'étanchéité extérieur est rompu et que le liquide entre en contact avec la peau :
 - a. laver rapidement la zone touchée au savon et à l'eau;
 - b. neutraliser avec un acide doux comme du jus de citron ou du vinaigre;
 - c. Si le liquide de la pile entre en contact avec les yeux, les laver abondamment à l'eau propre, pendant un minimum de 10 minutes, puis obtenir des soins médicaux.

REMARQUE AUX FINS MÉDICALES : le liquide est composé d'une solution de 25 % à 35 % d'hydroxyde de potassium.

- Charger les piles exclusivement avec le chargeur de piles VersaPak.
- Ne pas utiliser le chargeur dans des conditions mouillées ou humides. Il est conçu uniquement pour une utilisation à l'intérieur. Ne pas utiliser près d'évier, de baignoires ou de contenants similaires. Ne pas immerger dans l'eau.
- Ne pas utiliser le chargeur à d'autres fins que celles de charger les piles VersaPak. D'autres types de piles risquent d'exploser.
- Ne pas faire fonctionner le chargeur si la fiche ou le cordon est endommagé; les remplacer immédiatement.
- Ne pas utiliser le chargeur s'il a reçu un choc violent, s'il est tombé ou s'il est endommagé de quelque manière que ce soit; le confier à un centre de réparation agréé de Black & Decker.
- Ne pas démonter le chargeur; confier l'entretien ou la réparation de l'appareil à un centre de réparation agréé de Black & Decker. Un appareil mal réassemblé peut causer un choc électrique ou un incendie. Aucune pièce à l'intérieur ne peut être réparée par l'utilisateur.
- Pour de meilleurs résultats, ne pas charger les piles si la pile ou la température ambiante est INFÉRIEURE à 4,5 °C (40 °F) ou SUPÉRIEURE à 40,5 °C (105 °F).
- Le chargeur est conçu pour être alimenté en courant domestique standard. Ne pas utiliser une tension supérieure pour le chargeur. S'assurer que le bloc d'alimentation est compatible avec l'inscription de la plaque signalétique.
- Toujours débrancher le chargeur si non utilisé.
- Ne pas utiliser abusivement le cordon d'alimentation du chargeur. Pour réduire le risque de dommages à la fiche ou au cordon d'alimentation, ne jamais transporter le chargeur par le cordon ni tirer sur le cordon pour le débrancher. Conserver le cordon du chargeur à l'écart de la chaleur, de l'huile et de bords tranchants.
- Pour recharger, utiliser uniquement le chargeur fourni par le fabricant.
- Utiliser uniquement sous la surveillance d'un adulte. Conserver le chargeur hors de portée des enfants.
- S'assurer que la prise femelle est solide et complètement intacte. Ne pas brancher le chargeur dans une prise murale lâche.

REMARQUES IMPORTANTES DE CHARGEMENT

- Durant la charge, le transformateur du chargeur peut émettre un vrombissement. De plus, les piles et le chargeur peuvent devenir chauds au toucher, il s'agit d'un état normal qui n'indique pas de problème.
 - Si une pile ne se charge pas adéquatement - (1) vérifiez la prise de courant en branchant une lampe ou un autre appareil électrique; (2) vérifier si la prise est reliée à un interrupteur qui coupe le courant au moment d'éteindre la lumière. (3) déplacer le chargeur et les piles à une température ambiante de 4,5 °C (40 °F) à 40,5 °C (105 °F); et (4) si la prise et la température sont adéquates et que la charge obtenue est insuffisante, apporter ou envoyer les piles et le chargeur au centre de réparation Black & Decker de votre région. Consulter la section « Outils électriques » des Pages jaunes.
 - Les piles doivent être rechargées lorsque leur puissance devient insuffisante pour des travaux qui étaient facilement réalisés précédemment. ARRÊTER L'UTILISATION de l'outil si les piles sont épuisées.
 - Avant d'utiliser le chargeur, lire toutes les directives et les indications d'avertissement apposées sur le chargeur, la pile et le produit à pile utilisé.
- ⚠ **MISE EN GARDE** : pour réduire le risque de blessures, charger seulement des piles rechargeables au nickel-cadmium. D'autres types de piles peuvent exploser et provoquer des blessures corporelles et des dommages.

CONSERVER CES DIRECTIVES

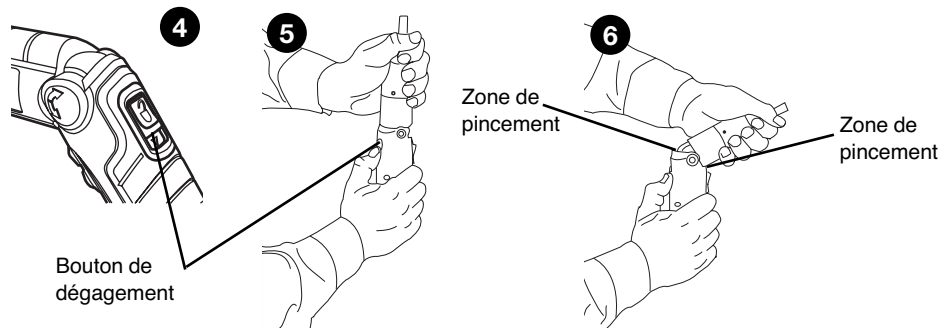
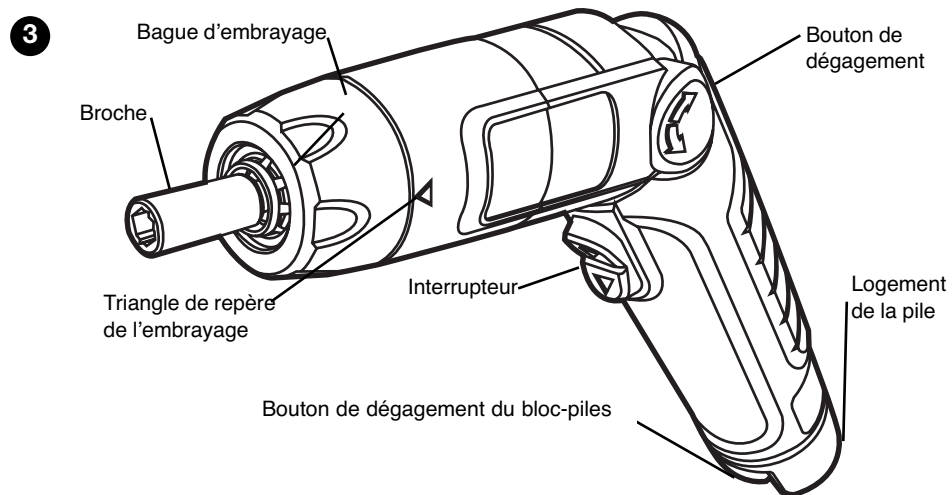
PROCÉDURE DE CHARGE

Insérer l'extrémité métallique de la pile VersaPak dans le chargeur. Le voyant lumineux s'illuminera pour indiquer que le chargement est en cours et demeurera ainsi aussi longtemps que la pile demeure en place. La charge en continu ne pose pas de problème de sécurité.

REMARQUE : la pile VersaPak est expédiée de l'usine sans être totalement chargée. Avant de l'utiliser pour la première fois, la charger pendant au moins 6 heures. Pour la plupart des travaux de réparations, les chargements subséquents exigeront de 3 à 6 heures.

⚠ Avertissements de sécurité et directives : perçage

- Tenir fermement l'outil afin de contrôler sa torsion.
- ⚠ **AVERTISSEMENT : l'outil pourrait se bloquer (à cause d'une surcharge ou d'une mauvaise utilisation), produisant ainsi une torsion brusque. Pour réduire le risque de blessure, toujours s'attendre à un blocage soudain.** Empoigner fermement l'outil pour contrôler sa torsion et éviter d'en perdre le contrôle, ce qui pourrait causer des blessures corporelles. En cas de blocage, relâcher la détente immédiatement et déterminer la raison du blocage avant de redémarrer.



Mode d'emploi

RETRAIT ET INSERTION DES EMBOUTS

Pour insérer un embout, simplement le glisser dans la cavité de la broche et tirer droit sur celui-ci pour le retirer.

RETRAIT ET INSERTION DE LA PILE

REMARQUE : les piles VersaPak™ ne sont pas complètement chargées à l'usine.

Pour insérer la pile dans l'outil, la glisser dans la poignée jusqu'à se qu'elle s'enclenche. Pour retirer la pile VersaPak™ de l'outil, enfoncer le bouton de dégagement (fig. 3), et retirer la pile de l'outil.

Remarque : veuillez effectuer le transport des piles avec le capuchon de pile en position ou l'insérer sur la pile pour son rangement dans une poche, une boîte à outils, etc.

Retirer le capuchon avant d'insérer la pile dans l'outil ou le chargeur. Enclencher le capuchon de la pile, (fig. 2), en position. Tirer simplement dessus pour le retirer.

INTERRUPTEUR

Pour allumer l'outil en position de vissage, enfoncer la partie supérieure de l'interrupteur à bascule, ce qui fera fonctionner l'outil. Pour dévisser, enfoncer la partie inférieure de l'interrupteur à bascule pour démarrer le tournevis. Lorsque l'interrupteur à bascule n'est pas enfoncé, l'outil est verrouillé et fonctionne comme tout tournevis manuel standard (non électrique).

CORRECTEUR DE COUPLE

Le tournevis est doté d'un correcteur de couple à embrayage réglable. Lorsque l'outil atteint le couple de serrage préétabli, l'embrayage débraye et limite ainsi la force de vissage appliquée à la vis.

REMARQUE : le moteur de l'outil fonctionnera aussi longtemps que l'interrupteur à bascule est enfoncé. Pour régler le couple de serrage de l'outil, tourner la bague de l'embrayage réglable (fig. 3) en sens horaire ou antihoraire selon le cas. Plus le numéro est élevé et plus grand sera le couple de serrage. Chaque déclic en sens horaire (en faisant face à la broche) indique une augmentation du couple,

TOURNEVIS À DEUX POSITIONS

Pour convertir l'outil en un tournevis d'angle, tirer sur le bouton de dégagement indiqué sur la figure 4, et faire tourner la partie supérieure de l'outil comme indiqué aux figures 5 et 6.

⚠ **AVERTISSEMENTS POUR LE TOURNEVIS À DEUX POSITIONS :**

- Pour ne pas se pincer, tenir le tournevis comme le montre les figures 5 et 6 pour le changement de position.
- Ne pas utiliser le tournevis comme levier, quelle que soit la position.
- Pour éviter que le tournevis ne démarre intempestivement, ne pas le transporter dans votre poche.

ENTRETIEN

Nettoyer l'outil seulement à l'aide d'un savon doux et d'un linge humide. Ne laisser aucun liquide s'infiltrer dans l'outil et ne jamais immerger l'outil.

IMPORTANT : Pour assurer la **SÉCURITÉ D'EMPLOI** et la **FIABILITÉ** de l'outil, n'en confier la réparation, l'entretien et les rajustements qu'à un centre de service ou à un atelier d'entretien autorisé n'utilisant que des pièces de rechange identiques.

ACCESSOIRES

Les détaillants et le centre de service de la région vendent les accessoires recommandés pour l'outil. Pour trouver un accessoire, composer le **1 800 544-6986**.

⚠ **AVERTISSEMENT :** L'utilisation de tout accessoire non recommandé pour l'outil peut être dangereuse.

Le sceau RBRC™

Le sceau RBRC™ de la Rechargeable Battery Recycling Corporation apposé sur la pile (ou le bloc-pile) à hydrure métallique de nickel indique que son coût de recyclage (ou celui du bloc-pile) à la fin de sa vie utile a déjà été payé par Black & Decker. En certains endroits, la mise au rebut ou aux ordures municipales des piles à hydrure métallique de nickel déchargées est illégale; le programme de « RBRC » constitue donc une solution des plus écologiques.

La « RBRC », en collaboration avec Black & Decker et d'autres utilisateurs de piles, a mis sur pied des programmes aux États-Unis et au Canada dans le but de faciliter la collecte des piles à hydrure métallique de nickel déchargées. Black & Decker encourage ses clients à participer à son programme de protection de l'environnement et de conservation des ressources naturelles en retournant les piles à hydrure métallique de nickel déchargées à un centre de service Black & Decker ou chez un dépositaire local afin qu'elles puissent être recyclées. On peut en outre se renseigner auprès d'un centre de recyclage local pour connaître d'autres sites les acceptant ou composer le **1 800 8-228-8379** pour obtenir cette information.



INFORMATION SUR LES RÉPARATIONS

Tous les centres de réparation Black & Decker sont dotés de personnel qualifié en matière d'outillage électrique; ils sont donc en mesure d'offrir à leur clientèle un service efficace et fiable. Que ce soit pour un avis technique, une réparation ou des pièces de rechange authentiques installées en usine, communiquer avec l'établissement Black & Decker le plus près de chez vous. Pour trouver l'établissement de réparation de votre région, consulter le répertoire des Pages jaunes à la rubrique « Outils électriques » ou composer le numéro suivant : **1-800-544-6986** ou consulter le site **www.blackanddecker.com**

GARANTIE COMPLÈTE DE DEUX ANS POUR UNE UTILISATION DOMESTIQUE

Black & Decker (É.-U.) Inc. garantit ce produit pour une durée de deux ans contre tout défaut de matériau ou de fabrication. Le produit défectueux sera remplacé ou réparé sans frais de l'une des deux façons suivantes :

La première façon consiste en un simple échange chez le détaillant qui l'a vendu (pourvu

qu'il s'agisse d'un détaillant participant). Tout retour doit se faire durant la période correspondant à la politique d'échange du détaillant (habituellement, de 30 à 90 jours après l'achat). Une preuve d'achat peut être requise. Vérifier auprès du détaillant pour connaître sa politique concernant les retours hors de la période définie pour les échanges. La deuxième option est d'apporter ou d'envoyer le produit (transport payé d'avance) à un centre de réparation autorisé ou à un centre de réparation de Black & Decker pour faire réparer ou échanger le produit, à notre discrétion. Une preuve d'achat peut être requise. Les centres Black & Decker et les centres de service autorisés sont répertoriés dans les pages jaunes, sous la rubrique « Outils électriques ».

Cette garantie ne s'applique pas aux accessoires. Cette garantie vous accorde des droits légaux spécifiques et vous pourriez avoir d'autres droits qui varient d'un État ou d'une province à l'autre. Pour toute question, communiquer avec le directeur du centre de réparation Black & Decker le plus près de chez vous. Ce produit n'est pas destiné à un usage commercial.

REPLACEMENT GRATUIT DES ÉTIQUETTES D'AVERTISSEMENT : si les étiquettes d'avertissement deviennent illisibles ou sont manquantes, composer le **1-800-544-6986** pour en obtenir le remplacement gratuit.

Imported by / Importé par
Black & Decker Canada Inc.
100 Central Ave.
Brockville (Ontario) K6V 5W6

Voir la rubrique "Outils
électriques"
des Pages Jaunes
pour le service et les
ventes.



Dépannage

Problème

• La pile ne se charge pas.

Cause possible

• Le chargeur n'est pas branché prise dans une prise qui fonctionne.

Solution possible

• Brancher le chargeur dans une prise fonctionnelle.

Se reporter à « Remarques importantes de chargement » pour plus de renseignements.

• Vérifier le courant à la prise en branchant une lampe ou un autre appareil électrique.

• Vérifier si la prise est reliée à un interrupteur de lumière qui la met hors tension lorsque vous éteignez les lumières.

• Déplacer le chargeur et l'outil à une température ambiante de plus de 4,5 °C (40 °F) ou sous les 40,5 °C (105 °F).

• Température ambiante trop chaude ou trop froide.

• L'outil ne visse pas.

• La bague de réglage du couple de serrage est en mauvaise position « 2 », mode perçage.

• Déplacer la bague sur le mode perçage.

• Les vis se faussent

• La bague de réglage du couple de serrage est à une valeur élevée.

• Déplacer la bague à une valeur moindre.

• Les vis ne sont pas entièrement assises.

• La bague de réglage du couple de serrage est à une valeur trop faible.

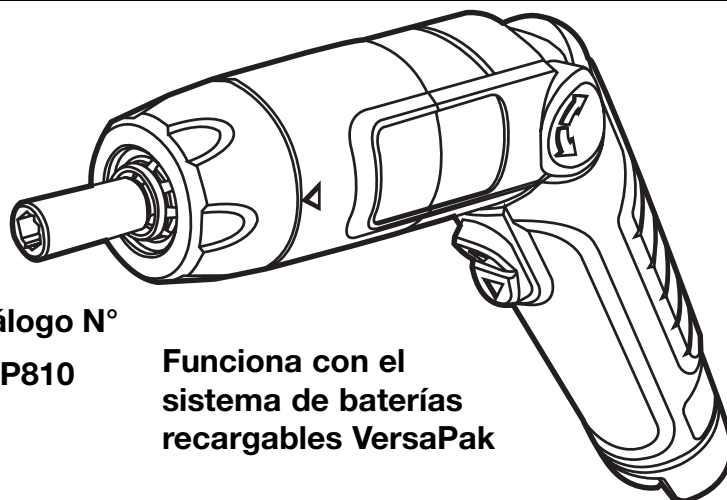
• Déplacer la bague à une valeur plus élevée.

Pour de l'aide avec l'outil, consulter notre site Web www.blackanddecker.com pour l'emplacement du centre de réparation le plus près ou communiquer avec l'assistance BLACK & DECKER au **1-800-544-6986**.

BLACK & DECKER®

**Destornillador giratorio de
2 posiciones de 3,6 voltios**

MANUAL DE INSTRUCCIONES



Catálogo N°

VP810

**Funciona con el
sistema de baterías
recargables VersaPak**

¡GRACIAS POR ELEGIR BLACK & DECKER!
VAYA A WWW.BLACKANDDECKER.COM/NEWOWNER
PARA REGISTRAR SU NUEVO PRODUCTO.

**ANTES DE DEVOLVER ESTE PRODUCTO POR
CUALQUIER MOTIVO, LLAME AL**

(55)5326-7100

ANTES DE LLAMAR, TENGA EL NÚMERO DE CATÁLOGO Y EL CÓDIGO DE FECHA PREPARADOS. EN

LA MAYORÍA DE LOS CASOS, UN REPRESENTANTE DE BLACK & DECKER PUEDE RESOLVER EL
PROBLEMA POR TELÉFONO. SI DESEA REALIZAR UNA SUGERENCIA O COMENTARIO, LLÁMENOS.

SU OPINIÓN ES FUNDAMENTAL PARA BLACK & DECKER.

CONSERVE ESTE MANUAL PARA FUTURAS CONSULTAS.

Normas generales de seguridad

⚠️ ADVERTENCIA: Lea todas las instrucciones. El incumplimiento de las instrucciones enumeradas debajo puede provocar descarga eléctrica, incendio o lesiones graves. El término "herramienta eléctrica" incluido en todas las advertencias enumeradas a continuación hace referencia a su herramienta eléctrica operada con corriente (alámbrica) o a su herramienta eléctrica operada con baterías (inalámbrica).

CONSERVE ESTAS INSTRUCCIONES

1) Seguridad en el área de trabajo

- a) **Mantenga el área de trabajo limpia y bien iluminada.** *Las áreas abarrotadas y oscuras propician accidentes.*
- b) **No opere herramientas eléctricas en atmósferas explosivas, como ambientes donde se encuentran líquidos, gases o polvo inflamables.** *Las herramientas eléctricas originan chispas que pueden encender el polvo o los vapores.*
- c) **Mantenga a los niños y espectadores alejados de la herramienta eléctrica en funcionamiento.** *Las distracciones pueden provocar la pérdida de control.*

2) Seguridad eléctrica

- a) **Los enchufes de la herramienta eléctrica deben adaptarse al tomacorriente. Nunca modifique el enchufe de ninguna manera. No utilice ningún enchufe adaptador con herramientas eléctricas con conexión a tierra.** *Los enchufes no modificados y que se adaptan a los tomacorrientes reducirán el riesgo de descarga eléctrica.*
- b) **Evite el contacto corporal con superficies puestas a tierra, como por ejemplo tuberías, radiadores, rangos y refrigeradores.** *Existe mayor riesgo de descarga eléctrica si su cuerpo está puesto a tierra.*
- c) **No exponga las herramientas eléctricas a la lluvia o a condiciones de humedad.** *Si ingresa agua a una herramienta eléctrica, aumentará el riesgo de descarga eléctrica.*
- d) **No maltrate al cable. Nunca utilice el cable para transportar, tirar o desenchufar la herramienta eléctrica. Mantenga el cable lejos del calor, aceite, bordes afilados o piezas móviles.** *Los cables dañados o enredados aumentan el riesgo de descarga eléctrica.*
- e) **Al operar una herramienta eléctrica en el exterior, utilice un cable prolongador adecuado para tal uso.** *Utilice un cable adecuado para uso en exteriores a fin de reducir el riesgo de descarga eléctrica.*

3) Seguridad personal

- a) **Permanezca alerta, controle lo que está haciendo y utilice el sentido común cuando emplee una herramienta eléctrica. No utilice una herramienta eléctrica si está cansado o bajo el efecto de drogas, alcohol o medicamentos.** *Un momento de descuido mientras se opera una herramienta eléctrica podría provocar daños personales graves.*
- b) **Use equipo de seguridad. Siempre utilice protección para los ojos.** *El equipo de seguridad, como las máscaras para polvo, el calzado de seguridad antideslizante, los cascos o la protección auditiva utilizados para condiciones adecuadas reducirán las lesiones personales.*
- c) **Evite el encendido por accidente. Asegúrese de que el interruptor esté en la posición de apagado antes de enchufar la herramienta.** *Transportar herramientas eléctricas con su dedo apoyado sobre el interruptor o enchufar herramientas eléctricas con el interruptor en posición de encendido puede propiciar accidentes.*
- d) **Retire las clavijas de ajuste o llaves de tuercas antes de encender la herramienta eléctrica.** *Una llave de tuercas o una clavija de ajuste que se deje conectada a una pieza giratoria de la herramienta eléctrica pueden provocar lesiones personales.*
- e) **No se estire. Conserve el equilibrio adecuado y manténgase parado correctamente en todo momento.** *Esto permite un mejor control de la herramienta eléctrica en situaciones inesperadas.*
- f) **Vístase apropiadamente. No use ropas holgadas ni joyas. Mantenga el cabello, las ropas y los guantes alejados de las piezas móviles. Las ropas holgadas,**

las joyas o el cabello largo pueden quedar atrapados en las piezas móviles. Los orificios de ventilación suelen cubrir piezas móviles, por lo que también se deben evitar.

- g) Si se suministran dispositivos para la conexión de accesorios para la recolección y extracción de polvo, asegúrese de que estén conectados y se utilicen correctamente. El uso de estos dispositivos puede reducir los peligros relacionados con el polvo.
- 4) **Uso y mantenimiento de la herramienta eléctrica**
- a) **No fuerce la herramienta eléctrica. Utilice la herramienta eléctrica correcta para el trabajo que realizará.** La herramienta eléctrica correcta hará el trabajo mejor y más seguro a la velocidad para la que fue diseñada.
- b) **No utilice la herramienta eléctrica si no puede encenderla o apagarla con el interruptor.** Toda herramienta eléctrica que no puede ser controlada mediante el interruptor es peligrosa y debe ser reparada.
- c) **Desconecte el enchufe de la fuente de energía y/o el paquete de baterías de la herramienta eléctrica antes de realizar ajustes, cambiar accesorios o almacenar herramientas eléctricas.** Estas medidas de seguridad preventivas reducen el riesgo de encender la herramienta eléctrica en forma accidental.
- d) **Guarde las herramientas eléctricas que no están en uso fuera del alcance de los niños y no permite que otras personas no familiarizadas con ella o con estas instrucciones operen la herramienta.** Las herramientas eléctricas son peligrosas en las manos de usuarios no entrenados.
- e) **Mantenimiento de las herramientas eléctricas.** Controle que no haya piezas móviles mal alineadas o trabadas, piezas rotas y toda otra situación que pueda afectar el funcionamiento de las herramientas eléctricas. Si encuentra daños, haga reparar la herramienta eléctrica antes de utilizarla. Se producen muchos accidentes a causa de las herramientas eléctricas que carecen de un mantenimiento adecuado.
- f) **Mantenga las herramientas de corte afiladas y limpias.** Las herramientas de corte con mantenimiento adecuado, con los bordes de corte afilados son menos propensas a trabarse y son más fáciles de controlar.
- g) **Utilice la herramienta eléctrica, los accesorios y las brocas de la herramienta, etc. de acuerdo con estas instrucciones y de la forma prevista para el tipo de herramienta eléctrica en particular, teniendo en cuenta las condiciones de trabajo y el trabajo que debe realizarse.** El uso de la herramienta eléctrica para operaciones diferentes de aquéllas para las que fue diseñada puede provocar una situación peligrosa.
- 5) **Uso y mantenimiento de la herramienta con baterías**
- a) **Asegúrese de que el interruptor esté en la posición de apagado antes de insertar el paquete de baterías.** Insertar el paquete de baterías en las herramientas eléctricas con el interruptor encendido puede provocar accidentes.
- b) **Recargue solamente con el cargador especificado por el fabricante.** Un cargador adecuado para un tipo de paquete de baterías puede originar riesgo de incendio si se utiliza con otro paquete de baterías.
- c) **Utilice herramientas eléctricas sólo con paquetes de baterías específicamente diseñados.** El uso de cualquier otro paquete de baterías puede producir riesgo de incendio y lesiones.
- d) **Cuando no utilice el paquete de baterías, manténgalo lejos de otros objetos metálicos como sujetapapeles, monedas, llaves, clavos, tornillos u otros objetos metálicos pequeños que puedan realizar una conexión desde un terminal al otro.** Los cortocircuitos en los terminales de la batería pueden provocar quemaduras o incendio.
- e) **En condiciones abusivas, el líquido puede ser expulsado de la batería. Evite su contacto. Si entra en contacto accidentalmente, enjuague con agua. Si el líquido entra en contacto con sus ojos, busque atención médica.** El líquido expulsado de la batería puede provocar irritación o quemaduras.
- 6) **Mantenimiento**
- a) **Haga que una persona de reparaciones calificada realice el mantenimiento de**

su herramienta eléctrica y utilice piezas de repuesto idénticas solamente.
 Esto garantizará la seguridad de la herramienta eléctrica.

NORMAS DE SEGURIDAD ESPECÍFICAS

- **Sujete la herramienta por las superficies aislantes cuando realice una operación en la que la herramienta pueda hacer contacto con cableados ocultos o con su propio cable.** El contacto con un cable vivo hará que las partes metálicas de la herramienta se vuelvan "vivas" con la consiguiente descarga para el operador.
- **Utilice abrazaderas u otra forma práctica para asegurar y sostener la pieza de trabajo en una plataforma estable.** *Sostener el trabajo con la mano o contra el cuerpo no brinda la estabilidad requerida y puede llevar a la pérdida del control.*

⚠ ADVERTENCIA: Algunas partículas originadas al lijar, aserrar, amolar, taladrar y realizar otras actividades de construcción contienen productos químicos que producen cáncer, defectos de nacimiento y otros problemas reproductivos. Algunos ejemplos de estos productos químicos son:

- el plomo de las pinturas de base plomo,
- la sílice cristalina de ladrillos, cemento y otros productos de mampostería,
- el arsénico y el cromo de la madera con tratamiento químico (CCA).

El riesgo derivado de estas exposiciones varía según la frecuencia con la que se realice este tipo de trabajo. Para reducir la exposición a estos productos químicos: se recomienda trabajar en áreas bien ventiladas y usar equipos de seguridad aprobados, como las máscaras para polvo especialmente diseñadas para filtrar las partículas microscópicas.

- **Evite el contacto prolongado con las partículas de polvo originadas al lijar, aserrar, esmerilar, taladrar y realizar demás actividades de la construcción. Use indumentaria protectora y lave las áreas expuestas con agua y jabón.** Evite que el polvo entre en la boca y en los ojos o se deposite en la piel, para impedir la absorción de productos químicos nocivos.

⚠ ADVERTENCIA: El uso de esta herramienta puede generar o dispersar partículas de polvo, que pueden causar lesiones respiratorias permanentes y graves u otras lesiones. Use siempre protección respiratoria aprobada por NIOSH/OSHA (Instituto Nacional de Salud y Seguridad Ocupacional de EE.UU./Administración de la Salud y Seguridad Ocupacional de EE.UU.) apropiada para la exposición al polvo. Aleje las partículas de la cara y el cuerpo.

La etiqueta de su herramienta puede incluir los siguientes símbolos.

V.....voltios	Aamperios
Hz.....hertz	W.....vatios
min.....minutos	~corriente alternante
====corriente directa	novelocidad sin carga
☐Construcción Clase II	⊕terminal a tierra
⚠símbolo de alerta de seguridad	.../minrevoluciones u oscilaciones por minuto

INFORMACIÓN ACERCA DEL PROTECTOR DE LA BATERÍA

Se han incluido protectores para el almacenaje y transporte de la batería. Estos deben ser usados cuando la batería no esté conectada a la herramienta ni en el cargador. Recuerde quitar el protector antes de poner la batería en el cargador o conectarla a la herramienta.



⚠ ADVERTENCIA: No guarde ni lleve baterías, unidades de alimentación o pilas en un lugar donde sus terminales pudieran entrar en contacto con algún objeto metálico.(1) Por ejemplo, no ponga baterías, unidades de alimentación o pilas dentro de un delantal o bolsillo, una caja de herramientas o de almacenamiento del producto, un cajón, etc., junto con clavos sueltos, tornillos, llaves, etc. si no están debidamente protegidas.(2) El

transporte de baterías, unidades de alimentación o pilas puede causar un incendio si sus terminales entran en contacto sin querer con materiales conductores como llaves, monedas, herramientas de mano y otros por el estilo. De hecho, el reglamento sobre materiales peligrosos (HMR) del Ministerio de Transporte de los Estados Unidos prohíbe el transporte de baterías, unidades de alimentación o pilas en cualquier tipo de transporte terrestre o aéreo (es decir, embaladas en maletas y maletines de mano) A NO SER que estén debidamente protegidas de hacer cortocircuito. Por lo tanto, cuando transporte baterías, unidades de alimentación o pilas individuales, asegúrese que sus terminales estén protegidos y debidamente aislados de materiales que pudieran entrar en contacto con ellos y causar un cortocircuito.

⚠️ Instrucciones y advertencias de seguridad: carga

INSTRUCCIONES DE SEGURIDAD IMPORTANTES (PARA LA BATERÍA Y EL CARGADOR)

- Nunca intente abrir la batería por ningún motivo. Si la caja de la batería se rompe o agrieta, interrumpa de inmediato su uso y no la recargue.
- No incinere las baterías. La batería puede explotar en el fuego. En condiciones de uso, de carga o de temperaturas extremas, podría producirse una pequeña pérdida de líquido en las celdas de la batería. Esto no indica una falla. Sin embargo, si el sello externo está roto y esta pérdida toca su piel:
 - a. Lave rápidamente con agua y jabón.
 - b. Neutralice con un ácido suave como jugo de limón o vinagre.
 - c. Si el líquido de la batería entra en contacto con sus ojos, lávelos con agua limpia durante al menos 10 minutos y busque atención médica inmediatamente.
- **NOTA MÉDICA:** el líquido es una solución de hidróxido de potasio al 25%-35%.
- Cargue las baterías sólo con el cargador VersaPak.
- No utilice el cargador en lugares húmedos o mojados. Está diseñado para uso en interiores solamente. No lo utilice cerca de fregaderos, tinas o similares. No lo sumerja en agua.
- No utilice el cargador más que para cargar las baterías VersaPak. Otros tipos de baterías pueden explotar.
- No opere el cargador con un cable o enchufe dañados: reemplácelos de inmediato.
- No opere el cargador si éste ha recibido un golpe fuerte, se ha caído, o se ha dañado de cualquier otra manera; llévelo a un centro de mantenimiento Black & Decker calificado.
- No desarme el cargador; llévelo a un centro de mantenimiento Black & Decker calificado cuando se requiera mantenimiento o una reparación. El armado incorrecto puede implicar riesgo de descarga eléctrica o incendio. No contiene elementos a los que el consumidor pueda hacerles mantenimiento.
- Para obtener mejores resultados, no cargue las baterías cuando su temperatura o la ambiental es INFERIOR A 4,5 °C (40 °F) o SUPERIOR A 40,5 °C (105 °F).
- El cargador está diseñado para funcionar con corriente eléctrica doméstica estándar. No intente utilizarlo con otro voltaje. Asegúrese de que la fuente de energía concuerde con lo que se indica en la placa.
- Cuando no lo use, desenchúfelo.
- No maltrate el cable del cargador. Para reducir el riesgo de avería en el enchufe y cable eléctricos, nunca transporte el cargador por el cable ni lo jale para desconectarlo del tomacorriente. Mantenga el cable del cargador alejado del calor, el aceite y los bordes afilados.
- Para realizar una recarga utilice sólo el cargador provisto por el fabricante.
- Sólo utilícelo con la supervisión de un adulto, manténgalo fuera del alcance de los niños.
- Asegúrese de que el tomacorriente esté seguro y completamente intacto. No enchufe el cargador a un tomacorriente de pared suelto.

NOTAS IMPORTANTES SOBRE LA CARGA

- Durante la carga, el transformador del cargador puede zumbar y las baterías y el cargador pueden estar calientes. Esta condición es normal y no indica un problema.
 - Si una batería no se carga correctamente: (1) Controle la corriente del tomacorriente enchufando una lámpara u otro artefacto. (2) Verifique si el tomacorriente está conectado a un interruptor que corta la energía cuando usted apaga la luz. (3) Lleve el cargador y la batería a un ambiente con una temperatura de 4,5 °C (40 °F) a 40,5 °C (105 °F). (4) Si el tomacorriente y la temperatura no presentan inconvenientes, y usted no consigue una carga adecuada, lleve o envíe las baterías y el cargador al centro de mantenimiento local de Black & Decker. Consulte "Herramientas eléctricas" en las páginas amarillas.
 - Se deben recargar las baterías cuando no producen energía suficiente para las tareas que previamente realizaban con facilidad. NO CONTINÚE utilizando la herramienta con la batería agotada.
 - Antes de utilizar el cargador de la batería, lea todas las instrucciones y las indicaciones preventivas en el cargador de la batería, la batería y en el producto que utiliza la batería.
- ⚠ **PRECAUCIÓN:** para reducir el riesgo de lesiones, cargue solamente las baterías recargables de níquel-cadmio. Otros tipos de baterías pueden estallar y provocar daños personales y materiales.

CONSERVE ESTAS INSTRUCCIONES

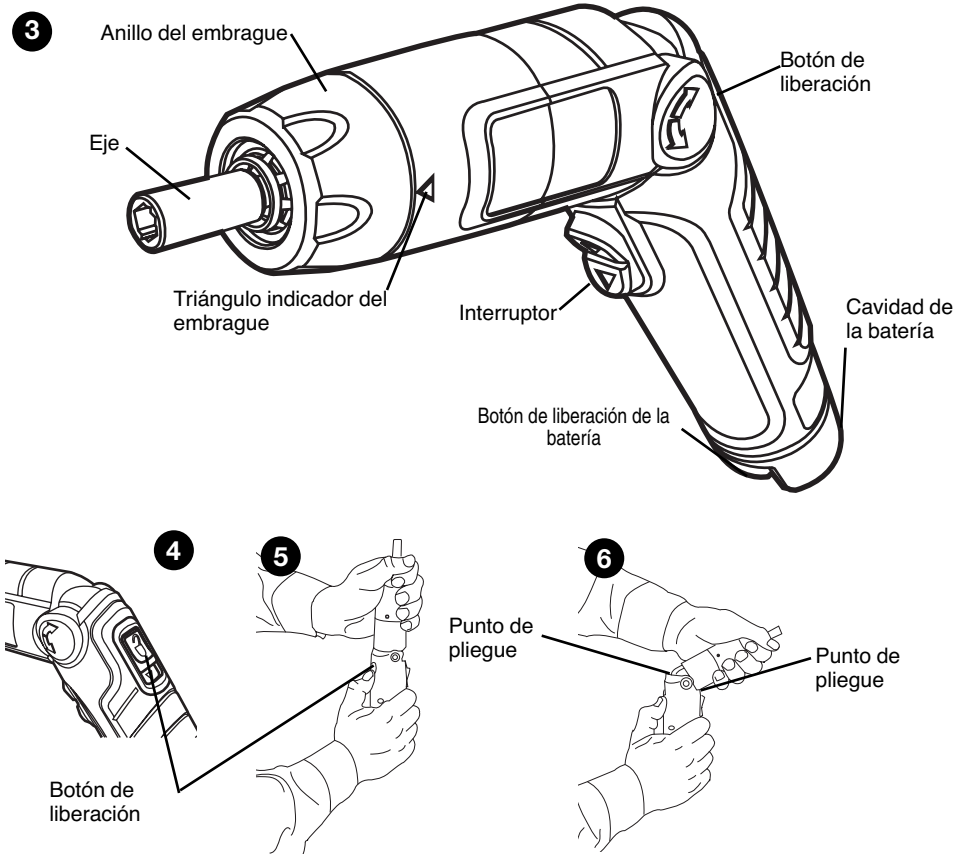
PROCEDIMIENTO DE CARGA

Introduzca el extremo de metal de la batería VersaPak en el cargador. La luz indicadora se encenderá indicando que el proceso de carga está en curso y permanecerá encendida mientras la batería esté en el cargador. La carga continua no es un problema de seguridad.

NOTA: su batería VersaPak no viene con carga de fábrica. Antes de utilizarla por primera vez, se la debe cargar durante 6 horas. La carga posterior para la mayoría de las tareas de reparación requerirá de 3 a 6 horas.

⚠ Instrucciones y advertencias de seguridad: taladrado

- Sostenga la herramienta con firmeza para controlar la torsión.
- ⚠ **ADVERTENCIA:** la herramienta puede atascarse (si se sobrecarga o se usa inadecuadamente) y provocar una torsión. Para reducir el riesgo de lesiones espere siempre el atascamiento. Sujete la herramienta con firmeza para controlar la torsión y evitar la pérdida de control que podría ocasionar lesiones personales. En caso de que se atasque la herramienta, suelte el gatillo inmediatamente y determine la causa del atascamiento antes de encenderla nuevamente.



Instrucciones de operación

INSTALACIÓN Y RETIRO DE PUNTAS

Para instalar una punta introdúzcala en la cavidad en el eje. Para retirar una punta, hale en forma recta hacia fuera.

INSTALACIÓN Y RETIRO DE LA BATERÍA

NOTA: las baterías Versapak™ no vienen con carga completa de fábrica.

Para instalar la batería en la herramienta, deslícela en el mango hasta que se escuche un “ruido seco” y quede firme en su lugar.

Para retirar la batería VersaPak™ de la herramienta, presione el botón de liberación, (Fig. 3) y empuje la batería hacia afuera de la herramienta.

Nota: las tapas de baterías se proporcionan para su utilización en el transporte de las baterías o cuando guarda la batería en un bolsillo, caja de herramientas, etc. Retire la tapa antes de colocar la batería en el cargador o herramienta.

Instale la tapa de la batería, (Fig. 2), ajustándola en su lugar. Para retirar la tapa, simplemente tire de ella.

INTERRUPTOR

Para encender la herramienta en una posición de avance, presione la sección superior del interruptor oscilante y la herramienta se pondrá en funcionamiento. Para hacerla funcionar en reversa, presione la sección inferior del interruptor oscilante y la herramienta se pondrá en funcionamiento. Sin oprimir el interruptor oscilante, la herramienta está bloqueada y funcionará como cualquier destornillador convencional sin alimentación.

CONTROL DE TORSIÓN

Su destornillador posee una característica de control mediante embrague ajustable. Cuando la herramienta alcanza la configuración de torsión preseleccionada el embrague se desliza y así determina cuan ajustado se coloca un tornillo.

NOTA: el motor de la herramienta continuará funcionando mientras que se presione el botón interruptor.

Para establecer la torsión de la herramienta, gire el anillo del embrague ajustable (Fig. 3) en el sentido de las agujas del reloj o en el sentido inverso según sea necesario. Cuanto mayor es el número, mayor será la torsión. Cada vez que haga clic en dirección de las agujas del reloj (hacia el eje), implica un aumento en la torsión producida.

DESTORNILLADOR DE DOS POSICIONES

Para convertir la herramienta en un destornillador angular, tire hacia atrás el botón de liberación que se muestra en la Fig. 4 y gire la parte superior de la herramienta como muestran las Figuras 5 y 6.

⚠ **ADVERTENCIAS SOBRE DEL DESTORNILLADOR DE DOS POSICIONES:**

- Para evitar pellizcos, sostenga el destornillador como se muestra en las Figuras 5 y 6 al cambiar posiciones.
- No use el destornillador para hacer palanca en ninguna posición.
- Para evitar que el destornillador se encienda accidentalmente, no lo lleve en el bolsillo.

MANTENIMIENTO

Para limpiar la herramienta, sólo utilice jabón suave y un paño húmedo. Nunca permita que penetre líquido dentro de la herramienta y nunca sumerja ninguna parte de la herramienta en un líquido.

IMPORTANTE: Para asegurar la SEGURIDAD y la CONFIABILIDAD del producto, las reparaciones, el mantenimiento y los ajustes se deben realizar en los centros de mantenimiento autorizados o en otras organizaciones de mantenimiento calificadas, utilizando siempre piezas de repuesto idénticas.

ACCESORIOS

Los accesorios que se recomiendan para la herramienta están disponibles en su distribuidor local o en el centro de mantenimiento autorizado. Si necesita ayuda con respecto a los accesorios, llame al: **(55)5326-7100**

⚠ **ADVERTENCIA:** El uso de accesorios no recomendados para utilizar con esta herramienta puede resultar peligroso.

EL SELLO RBRC™

El sello RBRC™ (Rechargeable Battery Recycling Corporation) en las baterías de hidruro del metal del níquel, indica que el costo de reciclaje de la batería (o grupo de baterías) al final de su vida útil, ya ha sido pagado por Black & Decker. En algunas áreas es ilegal colocar las baterías de hidruro del metal del níquel desgastadas en la basura doméstica o en los basureros municipales y el programa RBRC proporciona una alternativa ambiental conveniente.

La RBRC, en cooperación con Black & Decker y otros usuarios de baterías, han establecido programas en los Estados Unidos y Canadá para facilitar la recolección de baterías de hidruro del metal del níquel desgastadas. Al llevar sus baterías desgastadas de níquelcadmio a un centro de servicio autorizado Black & Decker o a su minorista local para el reciclaje de su batería, usted ayuda a proteger nuestro medio ambiente y a conservar nuestros recursos naturales. Usted puede comunicarse con el centro de reciclaje de su localidad para que le informen acerca de los lugares donde usted puede regresar las baterías desgastadas, o llamar al **1-800-8-BATTERY**.



DetECCIÓN DE PROBLEMAS

<u>Problema</u>	<u>Causa posible</u>	<u>Solución posible</u>
<ul style="list-style-type: none"> • La batería no carga. 	<ul style="list-style-type: none"> • El cargador no está enchufado en un tomacorriente que funcione. • Temperatura ambiental demasiado caliente o demasiado fría. 	<ul style="list-style-type: none"> • Enchufe el cargador en un tomacorriente que funcione. Consulte "Notas importantes sobre la carga" para conocer más detalles. • Revise si hay corriente en el tomacorriente enchufando una lámpara u otro artefacto. • Verifique si el tomacorriente está conectado a un interruptor que corta la energía cuando usted apaga las luces. • Mueva el cargador y la herramienta a un ambiente con una temperatura superior a 4,5 °C (40 °F) o inferior a 40,5 °C (105 °F).
<ul style="list-style-type: none"> • La herramienta no taladrará. 	<ul style="list-style-type: none"> • Anillo de ajuste de torsión en posición incorrecta. 	<ul style="list-style-type: none"> • Cambie la posición del anillo a la "2" modo de taladrado.
<ul style="list-style-type: none"> • Los tornillos se quiebran. 	<ul style="list-style-type: none"> • Anillo de ajuste de torsión ajuste demasiado alto. 	<ul style="list-style-type: none"> • Cambie la posición del anillo a un ajuste menor.
<ul style="list-style-type: none"> • Los tornillos no están bien colocados. 	<ul style="list-style-type: none"> • Anillo de ajuste de torsión ajuste demasiado bajo. 	<ul style="list-style-type: none"> • Cambie la posición del anillo a un ajuste superior.

Para recibir asistencia con su producto, visite nuestro sitio web www.blackanddecker.com para conocer la ubicación del centro de mantenimiento más cercano o llame a la línea de ayuda de BLACK & DECKER al **(55)5326-7100**.

INFORMACIÓN DE MANTENIMIENTO

Todos los Centros de mantenimiento de Black & Decker cuentan con personal altamente capacitado dispuesto a brindar a todos los clientes un servicio eficiente y confiable en la reparación de herramientas eléctricas. Si necesita consejo técnico, reparaciones o piezas de repuesto originales de fábrica, póngase en contacto con el centro de mantenimiento de Black & Decker más cercano a su domicilio. Para ubicar su centro de servicio local, consulte la sección "Herramientas eléctricas" (Tools-Electric) de las páginas amarillas, llame al **(55)5326-7100** o visite nuestro sitio www.blackanddecker.com.

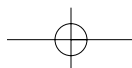
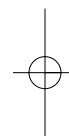
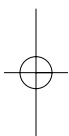
GARANTÍA COMPLETA DE DOS AÑOS PARA USO EN EL HOGAR

Black & Decker (Estados Unidos) Inc. ofrece una garantía de dos años por cualquier defecto del material o de fabricación de este producto. El producto defectuoso se reparará o reemplazará sin costo alguno de dos maneras.

La primera opción, el reemplazo, es devolver el producto al comercio donde se lo adquirió (siempre y cuando se trate de un comercio participante). Las devoluciones deben realizarse conforme a la política de devolución del comercio (generalmente, entre 30 y 90 días posteriores a la venta). Le pueden solicitar comprobante de compra. Consulte en el comercio acerca de la política especial sobre devoluciones una vez excedido el plazo establecido.

La segunda opción es llevar o enviar el producto (con flete pago) a un Centro de mantenimiento propio o autorizado de Black & Decker para su reparación o reemplazo según nuestro criterio. Le pueden solicitar el comprobante de compra. Los Centros de mantenimiento autorizados y de propiedad de Black & Decker se detallan en la sección "Herramientas eléctricas" (Tools-Electric) de las páginas amarillas de la guía telefónica.

Esta garantía no se extiende a los accesorios. Esta garantía le concede derechos legales específicos; usted puede tener otros derechos que pueden variar según el estado o la provincia. Si tiene alguna pregunta, comuníquese con el gerente del Centro de mantenimiento de Black & Decker de su zona. Este producto no está diseñado para uso comercial.



Para reparación y servicio de sus herramientas eléctricas, favor de dirigirse al Centro de Servicio más cercano:

CULIACAN, SIN

Av. Nicolás Bravo #1063 Sur
(667) 7 12 42 11
Col. Industrial Bravo

GUADALAJARA, JAL

Av. La Paz #1779
(33) 3825 6978
Col. Americana Sector Juarez

MEXICO, D.F.

Eje Central Lázaro Cardenas
No. 18
(55) 5588 9377
Local D, Col. Obrera

MERIDA, YUC

Calle 63 #459-A
(999) 928 5038
Col. Centro

MONTERREY, N.L.

Av. Francisco I. Madero
No.831
(81) 8375 2313
Col. Centro

PUEBLA, PUE

17 Norte #205
(222) 246 3714
Col. Centro

QUERETARO, QRO

Av. Madero 139 Pte.
(442) 214 1660
Col. Centro

SAN LUIS POTOSI, SLP

Av. Universidad 1525
(444) 814 2383
Col. San Luis

TORREON, COAH

Blvd. Independencia, 96 Pte.
(871) 716 5265
Col. Centro

VERACRUZ, VER

Prolongación Díaz Mirón #4280
(229)921 7016
Col. Remes

VILLAHERMOSA, TAB

Constitución 516-A
(993) 312 5111
Col. Centro

PARA OTRAS LOCALIDADES LLAME AL: (55) 5326 7100

Vea "Herramientas eléctricas (Tools-Electric)" - Páginas amarillas - para Servicio y ventas



BLACK & DECKER S.A. DE C.V.
BOSQUES DE CIDROS ACCESO
RADIATAS NO. 42
COL. BOSQUES DE LAS LOMAS.
05120 MÉXICO, D.F.
TEL. 55-5326-7100

ESPECIFICACIONES

Tensión de alimentación: 120 V~ Potencia nominal: 6,7 W
Frecuencia de operación: 60 Hz Consumo de corriente: ,07 A

Free Manuals Download Website

<http://myh66.com>

<http://usermanuals.us>

<http://www.somanuals.com>

<http://www.4manuals.cc>

<http://www.manual-lib.com>

<http://www.404manual.com>

<http://www.luxmanual.com>

<http://aubethermostatmanual.com>

Golf course search by state

<http://golfingnear.com>

Email search by domain

<http://emailbydomain.com>

Auto manuals search

<http://auto.somanuals.com>

TV manuals search

<http://tv.somanuals.com>