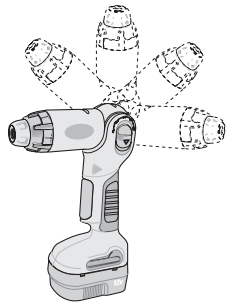




12 volt 5 POSITION CORDLESS DRILL

INSTRUCTION MANUAL

Catalog No. XD1200



THANK YOU FOR CHOOSING BLACK & DECKER!
GO TO WWW.BLACKANDDECKER.COM/NEWOWNER
TO REGISTER YOUR NEW PRODUCT.

**BEFORE RETURNING THIS PRODUCT
FOR ANY REASON PLEASE CALL
1-800-544-6986**

BEFORE YOU CALL, HAVE THE CATALOG No. AND DATE CODE AVAILABLE. IN MOST CASES, A BLACK & DECKER REPRESENTATIVE CAN RESOLVE THE PROBLEM OVER THE PHONE. IF YOU HAVE A SUGGESTION OR COMMENT, GIVE US A CALL. YOUR FEEDBACK IS VITAL TO BLACK & DECKER.

KEY INFORMATION YOU SHOULD KNOW:

- Charge battery for 9 hours before first use. For more information see "CHARGING THE POWER PACK".

SAVE THIS MANUAL FOR FUTURE REFERENCE.

VEA EL ESPAÑOL EN LA CONTRAPORTADA.

INSTRUCTIVO DE OPERACIÓN, CENTROS DE SERVICIO Y PÓLIZA DE GARANTÍA.
ADVERTENCIA: LEÁSE ESTE INSTRUCTIVO ANTES DE USAR EL PRODUCTO.

Cat No. XD1200 Form #90504019 (APR-06) Copyright © 2006 Black & Decker Printed in China

GENERAL SAFETY RULES - FOR ALL BATTERY OPERATED TOOLS

WARNING! READ AND UNDERSTAND ALL INSTRUCTIONS.

Failure to follow all instructions listed below, may result in electric shock, fire and/or serious personal injury.

SAVE THESE INSTRUCTIONS

Work Area

- **Keep your work area clean and well lit.** Cluttered benches and dark areas invite accidents.
- **Do not operate power tools in explosive atmospheres, such as in the presence of flammable liquids, gases, or dust.** Power tools create sparks which may ignite the dust or fumes.
- **Keep bystanders, children, and visitors away while operating a power tool.** Distractions can cause you to lose control.

Electrical Safety

- **Do not abuse the cord.** Never use the cord to carry the tool. Keep cord away from heat, oil, sharp edges or moving parts. Replace damaged cords immediately. Damaged cords may create a fire.
- **A battery operated tool with integral batteries or a separate battery pack must be recharged only with the specified charger for the battery.** A charger that may be suitable for one type of battery may create a risk of fire when used with another battery.
- **Use battery operated tool only with specifically designated battery pack.** Use of any other batteries may create a risk of fire.

Personal Safety

- **Stay alert, watch what you are doing and use common sense when operating a power tool. Do not use tool while tired or under the influence of drugs, alcohol, or medication.** A moment of inattention while operating power tools may result in serious personal injury.
- **Dress properly. Do not wear loose clothing or jewelry. Contain long hair. Keep your hair, clothing, and gloves away from moving parts.** Loose clothes, jewelry, or long hair can be caught in moving parts. Air vents cover moving parts and should be avoided.
- **Avoid accidental starting. Be sure switch is in the locked or off position before inserting battery pack.** Carrying tools with your finger on the switch or inserting the battery pack into a tool with the switch on invites accidents.
- **Remove adjusting keys or wrenches before turning the tool on.** A wrench or a key that is left attached to a rotating part of the tool may result in personal injury.
- **Do not overreach. Keep proper footing and balance at all times.** Proper footing and balance enable better control of the tool in unexpected situations.
- **Use safety equipment. Always wear eye protection.** Dust mask, non-skid safety shoes, hard hat, or hearing protection must be used for appropriate conditions.

Tool Use and Care

- **Use clamps or other practical way to secure and support the workpiece to a stable platform.** Holding the work by hand or against your body is unstable and may lead to loss of control.
- **Do not force tool. Use the correct tool for your application.** The correct tool will do the job better and safer at the rate for which it is designed.
- **Do not use tool if switch does not turn it on or off.** A tool that cannot be controlled with the switch is dangerous and must be repaired.
- **Disconnect battery pack from tool or place the switch in the locked or off position before making any adjustments, changing accessories, or storing the tool.** Such preventive safety measures reduce the risk of starting the tool accidentally.
- **Store idle tools out of reach of children and other untrained persons.** Tools are dangerous in the hands of untrained users.

- **When battery pack is not in use, keep it away from other metal objects like: paper clips, coins, keys, nails, screws or other small metal objects that can make a connection from one terminal to another.** Shorting the battery terminals together may cause sparks, burns, or a fire.
- **Maintain tools with care. Keep cutting tools sharp and clean.** Properly maintained tools, with sharp cutting edge are less likely to bind and are easier to control.
- **Check for misalignment or binding of moving parts, breakage of parts, and any other condition that may affect the tool's operation. If damaged, have the tool serviced before using.** Many accidents are caused by poorly maintained tools.
- **Use only accessories that are recommended by the manufacturer for your model.** Accessories that may be suitable for one tool may create a risk of injury when used on another tool.

Service

- **Tool service must be performed only by qualified repair personnel.** Service or maintenance performed by unqualified personnel may result in a risk of injury.
- **When servicing a tool, use only identical replacement parts. Follow instructions in the Maintenance section of this manual.** Use of unauthorized parts or failure to follow Maintenance Instructions may create a risk of shock or injury.

Specific Safety Rules

- **Hold tool by insulated gripping surfaces when performing an operation where the cutting tool may contact hidden wiring or its own cord.** Contact with a "live" wire will make exposed metal parts of the tool "live" and shock the operator.
- **When working on a ladder or on scaffolding be sure to lay the tool down on its side when not in use.** Some tools with large battery packs will stand upright but may be easily knocked over.

WARNING: Some dust created by power sanding, sawing, grinding, drilling, and other construction activities contains chemicals known to cause cancer, birth defects or other reproductive harm. Some examples of these chemicals are:

- lead from lead-based paints,
- crystalline silica from bricks and cement and other masonry products, and
- arsenic and chromium from chemically-treated lumber. (CCA)

Your risk from these exposures varies, depending on how often you do this type of work. To reduce your exposure to these chemicals: work in a well ventilated area, and work with approved safety equipment, such as those dust masks that are specially designed to filter out microscopic particles.

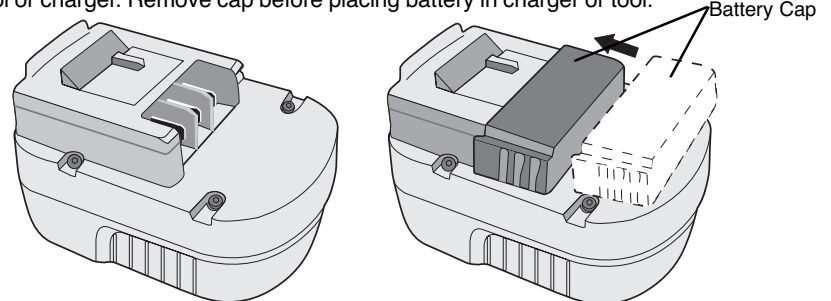
- **Avoid prolonged contact with dust from power sanding, sawing, grinding, drilling, and other construction activities. Wear protective clothing and wash exposed areas with soap and water.** Allowing dust to get into your mouth, eyes, or lay on the skin may promote absorption of harmful chemicals.

The label on your tool may include the following symbols.

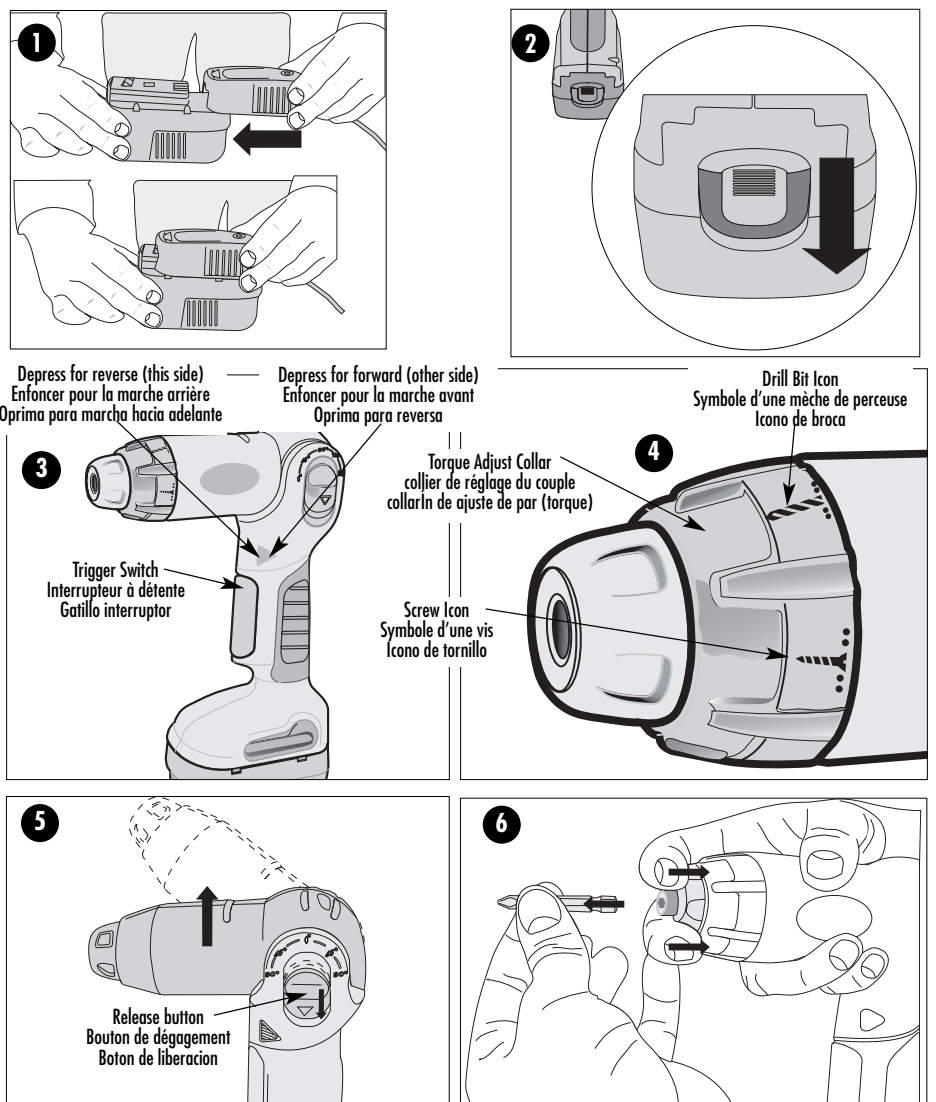
V	volts	A	amperes
Hz	hertz	W	watts
min	minutes	~	alternating current
— — —	direct current	n _o	no load speed
□	Class II Construction	⊕	earthing terminal
⚠	safety alert symbol	.../min	revolutions or reciprocations per minute

Battery Cap Information

Battery storage and carrying caps are provided for use whenever the battery is out of the tool or charger. Remove cap before placing battery in charger or tool.



WARNING: Do not store or carry battery so that metal objects can contact exposed battery terminals. For example, do not place battery in aprons, pockets, tool boxes, product kit boxes, drawers, etc. with loose nails, screws, keys, etc. without battery cap. Transporting batteries can possibly cause fires if the battery terminals inadvertently come in contact with conductive materials such as keys, coins, hand tools and the like. The US Department of Transportation Hazardous Material Regulations (HMR) actually prohibit transporting batteries in commerce or on airplanes (i.e. packed in suitcases and carryon luggage) UNLESS they are properly protected from short circuits. So when transporting individual batteries, make sure that the battery terminals are protected and well insulated from materials that could contact them and cause a short circuit.



CHARGING THE POWER PACK

THE BATTERIES IN YOUR POWER PACK ARE NOT FULLY CHARGED AT THE FACTORY. BEFORE ATTEMPTING TO CHARGE THEM, THOROUGHLY READ ALL OF THE SAFETY INSTRUCTIONS.

The charger is designed to use standard household 120 volt 60 Hz power.

1. Plug the charger into any standard 120 Volt 60 Hz electrical outlet.
2. Slide the charger onto the battery pack as shown in Figure 1 and let it charge initially for **9 hours**. After the initial charge, under normal usage, your power pack should be fully charged in **3 to 6 hours**.
3. Remove pack from the charger and place in product. **NOTE:** To remove the battery from the product, press down on the release button on the back of the battery (Figure 2) and pull out.

IMPORTANT CHARGING NOTES

1. After normal usage, your power pack should be fully charged in 3 to 6 hours. If the power pack is run-down completely, it may take up to 6 hours to become fully charged. Your power pack was sent from the factory in an uncharged condition. Before attempting to use it, it must be charged for at least 9 hours.
2. **DO NOT** charge the power pack in an air temperature below 40°F or above 105°F. This is important and will prevent serious damage to the power pack. Longest life and best performance can be obtained if power pack is charged when air temperature is about 75°F.
3. While charging, the charger may hum and become warm to touch. This is a normal condition and does not indicate a problem.
4. If the power pack does not charge properly—(1) Check current at receptacle by plugging in a lamp or other appliance. (2) Check to see if receptacle is connected to a light switch which turns power off when you turn out the lights. (3) Move charger and power pack to a surrounding air temperature of 40°F to 105°F. (4) If the receptacle and temperature are OK, and you do not get proper charging, take or send the power pack and charger to your local Black & Decker service center. See Tools Electric in yellow pages.
5. The power pack should be recharged when it fails to produce sufficient power on jobs which were easily done previously. **DO NOT CONTINUE** using product with its power pack in a depleted condition.
6. To prolong power pack life, avoid leaving the power pack on charge for extended periods of time (over 30 days without use). Although overcharging is not a safety concern, it can significantly reduce overall power pack life.
7. When the battery is inserted into the charger, the red "Charging Indicator" light will come on indicating that there is contact between the battery and charger. The light will stay on as long as the battery is in the charger and the charger is plugged into a working outlet. It **WILL NOT** flash, go out or change to a different color when the charging cycle is complete.
8. The power pack will reach optimum performance after being cycled 5 times during normal usage. There is no need to run the batteries down completely before recharging. Normal usage is the best method of discharging and recharging the batteries.

Operating Instructions

TRIGGER SWITCH & REVERSING BUTTON - FIGURE 3

The drill is turned ON and OFF by pulling and releasing the trigger switch shown in Figure 3. The farther the trigger is depressed, the higher the speed of the drill. A forward/reverse control button determines the direction of the tool and also serves as a lock off button. To select forward rotation, release the trigger switch and depress the forward/reverse control button. To select reverse, depress the forward/reverse control button the opposite direction. The center position of the control button locks the tool in the off position. When changing the position of the control button, be sure the trigger is released.

TORQUE CONTROL - FIGURE 4

To set the tool's torque, rotate the adjustable torque collar as required. There are 23 clutch settings in all. These are indicated by screw icons depicted on the torque collar. For light duty work when using small screws, set the collar to the smallest screw icon. Each click in a clockwise direction means an increase in the torque produced. The highest position is the drill mode and is indicated by a drill bit icon. In this position the clutch will not operate.

PIVOTING THE DRILL HEAD - FIGURE 5

There are five positions in which the drill head can be pivoted. To pivot the drill head, push down on the release button shown in figure 5 and rotate the head. Release the button slightly prior to reaching the desired position. Continue moving the drill head until it locks into place. The drill head should always be secured into one of the five positions.

QUICK CONNECT™ BIT CHANGE SYSTEM (FOR HEX SHANK BITS) - FIGURE 6

To insert a screwdriver bit or other hex shank accessory into the QUICK CONNECT™ hex shaft, push the bit in until you hear it click into place. To remove the bit, hold the drill as shown in figure 6. Push in evenly on the spring loaded collar with two fingers and pull the bit straight out.

SCREW DRIVING

For driving fasteners, the reversing button should be pushed to the left. Use reverse (button pushed to the right) for removing fasteners. When moving from forward to reverse, or vice versa, always release the trigger switch first.

ON BOARD BIT STORAGE

A screwdriver bit storage slot is built-in to the area just above the battery.

DRILLING

- Use sharp drill bits only.
- Support and secure work properly, as instructed in the Safety Instructions.
- Use appropriate and required safety equipment, as instructed in the Safety Instructions.
- Secure and maintain work area, as instructed in the Safety Instructions.
- Run the drill very slowly, using light pressure, until the hole is started enough to keep the drill bit from slipping out of it.
- Apply pressure in a straight line with the bit. Use enough pressure to keep the bit biting but not so much as to stall the motor or deflect the bit.
- **Hold the drill firmly with two hands to control its twisting action.**
- **DO NOT CLICK THE TRIGGER OF A STALLED DRILL OFF AND ON IN AN ATTEMPT TO START IT. DAMAGE TO THE DRILL CAN RESULT.**
- Minimize stalling on breakthrough by reducing pressure and slowly drilling through the last part of the hole.
- Keep the motor running while pulling the bit out of a drilled hole. This will help reduce jamming.
- Use a cutting lubricant when drilling metals. The exceptions are cast iron and brass which should be drilled dry. The lubricants that work best are sulphurized cutting oil or lard oil.
- When using twist drill bits to drill holes in wood, it will be necessary to pull the bits out frequently to clear chips from the flutes.
- **Make sure switch turns drill on and off.**
- **WARNING:** It is important to support the work properly and to hold the drill firmly to prevent loss of control which could cause personal injury. If you have any questions on how to properly operate tool, call: **1-800-54-HOW-TO (544-6986)**.

DRILLING IN WOOD

Holes in wood can be made with the same twist drill bits used for metal or with spade bits. These bits should be sharp and should be pulled out frequently when drilling to clear chips from the flutes.

DRILLING IN METAL

Use a cutting lubricant when drilling metals. The exceptions are cast iron and brass which should be drilled dry. The cutting lubricants that work best are sulfurized cutting oil or lard oil.

DRILLING IN MASONRY

Use carbide tipped masonry bits. Refer to Drilling section. Keep even force on the drill but not so much that you crack the brittle material. A smooth, even flow of dust indicates the proper drilling rate.

TROUBLESHOOTING

Problem	Possible Cause	Possible Solution
• Unit will not start. installation.	• Battery not installed properly. • Battery not charged.	• Check battery • Check battery charging requirements.

- Battery will not charge.
- Battery not inserted into charger.
- Insert battery into charger until red LED appears.
- Plug charger into a working outlet. Refer to "Important Charging Notes" for more details.
- Check current at receptacle by plugging in a lamp or other appliance.
- Check to see if receptacle is connected to a light switch which turns power off when you turn out the lights.
- Move charger and tool to a surrounding air temperature of above 40 degree F(4,5°C) or below 105 degree F (+40,5°C).
- Charger not plugged in.
- Surrounding air temperature too hot or too cold.

For assistance with your product, visit our website www.blackanddecker.com for the location of the service center nearest you or call the BLACK & DECKER help line at **1-800-544-6986**.

Maintenance

Use only mild soap and damp cloth to clean the tool. Never let any liquid get inside the tool; never immerse any part of the tool into a liquid.

An occasional application of a household oil to the Quick Connect™ hex shaft will help prevent rust.

IMPORTANT: To assure product SAFETY and RELIABILITY, repairs, maintenance and adjustment (other than those listed in this manual) should be performed by authorized service centers or other qualified service organizations, always using identical replacement parts.

The RBRC™ Seal

The RBRC™ (Rechargeable Battery Recycling Corporation) Seal on the nickel-cadmium battery (or battery pack) indicates that the costs to recycle the battery (or battery pack) at the end of its useful life have already been paid by Black & Decker. In some areas, it is illegal to place spent nickel-cadmium batteries in the trash or municipal solid waste stream and the RBRC program provides an environmentally conscious alternative.

RBRC in cooperation with Black & Decker and other battery users, has established programs in the United States and Canada to facilitate the collection of spent nickel-cadmium batteries. Help protect our environment and conserve natural resources by returning the spent nickel-cadmium battery to an authorized Black & Decker service center or to your local retailer for recycling. You may also contact your local recycling center for information on where to drop off the spent battery, or call **1-800-8-BATTERY**.



Accessories

Recommended accessories for use with your tool are available from your local dealer or authorized service center. If you need assistance regarding accessories, please call:

1-800-54-HOW-TO (544-6986).

WARNING: The use of any accessory not recommended for use with this tool could be hazardous.

The following accessories should be used only in the sizes specified below:

BITS, METAL DRILLING – Up to 3/8" (9.5mm); BITS, MASONRY DRILLING – Up to 3/8" (9.5mm); WOOD DRILLING – Up to 1/2" (12.7mm).

Service Information

All Black & Decker Service Centers are staffed with trained personnel to provide customers with efficient and reliable power tool service. Whether you need technical advice, repair, or genuine factory replacement parts, contact the Black & Decker location nearest you. To find your local service location, refer to the yellow page directory under "Tools—Electric" or call: **1-800-54-HOW TO. (544-6986)**

Full Two-Year Home Use Warranty

Black & Decker (U.S.) Inc. warrants this product for two years against any defects in material or workmanship. The defective product will be replaced or repaired at no charge in either of two ways.

The first, which will result in exchanges only, is to return the product to the retailer from whom it was purchased (provided that the store is a participating retailer). Returns should be made within the time period of the retailer's policy for exchanges (usually 30 to 90 days after the sale). Proof of purchase may be required. Please check with the retailer for their specific return policy regarding returns that are beyond the time set for exchanges.

The second option is to take or send the product (prepaid) to a Black & Decker owned or authorized Service Center for repair or replacement at our option. Proof of purchase may be required. Black & Decker owned and authorized Service Centers are listed under "Tools-Electric" in the yellow pages of the phone directory and available on our website www.blackanddecker.com.

This warranty does not apply to accessories. This warranty gives you specific legal rights and you may have other rights which vary from state to state. Should you have any questions, contact the manager of your nearest Black & Decker Service Center. This product is not intended for commercial use.

Free Warning Label Replacement: If your warning labels become illegible or are missing, call **1-800-544-6986** for a free replacement.

Imported by
Black & Decker (U.S.) Inc.,
701 E. Joppa Rd.
Towson, MD 21286 U.S.A.



See "Tools-Electric"
– Yellow Pages –
for Service & Sales

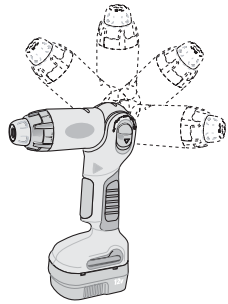


BLACK & DECKER®

PERCEUSE SANS FIL À 5 POSITIONS DE 12 VOLTS

MODE D'EMPLOI

N° de catalogue
XD1200



MERCI D'AVOIR CHOISI BLACK & DECKER !
VISITEZ WWW.BLACKANDDECKER.COM/NEWOWNER
POUR ENREGISTRER VOTRE NOUVEAU PRODUIT.

AVANT DE RETOURNER CE PRODUIT POUR
QUELQUE RAISON QUE CE SOIT, COMPOSER LE
1-800-544-6986

AVANT D'APPELER, AYEZ EN MAIN LE N° DE CATALOGUE ET LE CODE DE DATE. DANS LA PLUPART
DES CAS, UN REPRÉSENTANT DE BLACK & DECKER PEUT RÉSOUDRE LE PROBLÈME PAR
TÉLÉPHONE. SI VOUS AVEZ UNE SUGGESTION OU UN COMMENTAIRE, APPELÉ-NOUS. VOS
IMPRESSIONS SONT CRUCIALES POUR BLACK & DECKER.

IMPORTANTS RENSEIGNEMENTS :

- Charger la pile pendant 9 heures avant d'utiliser le produit pour la première fois. Pour obtenir plus de renseignements, consulter la section « CHARGEMENT DU BLOC-PILE » du présent guide.

CONSERVER CE MANUEL POUR UN USAGE ULTÉRIEUR.

⚠️ RÈGLES DE SÉCURITÉ CONCERNANT LES OUTILS À PILE - GÉNÉRALITÉS

⚠️ **AVERTISSEMENT** : LIRE, COMPRENDRE ET SUIVRE TOUTES LES DIRECTIVES précises ci-dessous, y compris les consignes de sécurité, afin d'éviter les risques de choc électrique, d'incendie ou de blessure grave.

CONSERVER CES MESURES.

Zone de travail

- Garder la zone de travail propre et bien éclairée; les établis encombrés et les endroits sombres sont propices aux accidents.
- Ne pas utiliser les outils électriques dans une atmosphère explosive, comme à proximité de liquides, de gaz ou de poussières inflammables; le moteur peut créer des étincelles et enflammer les vapeurs ou les poussières environnantes.
- Tenir les enfants, les visiteurs ou toute autre personne éloignés lorsqu'on utilise un outil électrique; les distractions peuvent faire perdre la maîtrise de ce dernier.

Mesures de sécurité - Électricité

- Ne pas utiliser le cordon de manière abusive, ni transporter l'outil en le tenant par le cordon. On doit tenir le cordon éloigné des sources de chaleur, de l'huile, des bords tranchants ou des pièces mobiles. Remplacer immédiatement les cordons endommagés, car ces derniers augmentent les risques d'incendie.
- Un outil à piles intégrées ou à bloc-pile externe doit être rechargé seulement au moyen du chargeur approprié, car un chargeur destiné à une pile particulière peut entraîner un risque d'incendie lorsqu'il est utilisé avec une autre.
- N'utiliser l'outil à piles qu'avec le bloc-pile désigné, car l'utilisation d'un autre type de piles peut entraîner un risque d'incendie.

Sécurité personnelle

- Rester vigilant en tout temps et faire preuve de jugement lorsqu'on utilise un outil électrique; ne pas utiliser l'outil lorsqu'on est fatigué ou sous l'influence de drogues, d'alcool ou de médicaments, car un moment d'inattention peut entraîner des blessures graves.
- Porter des vêtements appropriés; ne pas porter de vêtements amples ni de bijoux. Couvrir ou attacher les cheveux longs. Garder les cheveux, les vêtements, les bijoux et les gants éloignés des pièces mobiles, car ceux-ci peuvent s'y coincer. Se tenir éloigné des événements puisque ces derniers pourraient camoufler des pièces mobiles.
- Éviter les démarrages accidentels; s'assurer que l'interrupteur est en position de verrouillage ou d'arrêt avant d'insérer le bloc-pile dans l'outil. Ne pas transporter l'outil en laissant le doigt sur l'interrupteur ni y insérer le bloc-pile lorsque l'interrupteur est en position de marche, car cela pourrait causer un accident.
- Retirer les clés de réglage avant de démarrer l'outil; une clé laissée sur une pièce rotative peut entraîner des blessures.
- Ne pas trop étendre les bras; les pieds doivent rester ancrés fermement au sol afin de maintenir son équilibre en tout temps et de mieux maîtriser l'outil dans des situations imprévues.
- Utiliser le matériel de sécurité approprié; toujours porter des lunettes de protection. Porter un masque anti-poussières, des chaussures antidérapantes, un casque de sécurité ou des protecteurs auditifs lorsque la situation le requiert.

Utilisation et entretien de l'outil

- Fixer et soutenir la pièce sur une plate-forme stable au moyen d'une butée fixe ou de tout autre dispositif semblable; la pièce est instable lorsqu'on la retient manuellement ou qu'on l'appuie contre le corps, ce qui peut faire perdre la maîtrise de l'outil.
- Ne pas forcer l'outil ni l'utiliser pour des travaux autres que ceux pour lesquels il a été conçu. Pour obtenir de meilleurs résultats et prévenir les risques de blessure, laisser l'outil couper à la vitesse pour laquelle il a été conçu.
- Ne pas utiliser l'outil lorsque l'interrupteur marche-arrêt ne fonctionne pas; tout outil qui ne peut être commandé au moyen de l'interrupteur est dangereux et doit être réparé.
- Débrancher le bloc-pile de l'outil ou mettre l'interrupteur en position de verrouillage ou d'arrêt avant d'effectuer un réglage, de changer les accessoires ou de ranger l'outil; ces mesures de sécurité préventives réduisent les risques de démarrage accidentel.

- Lorsqu'on n'utilise pas l'outil, le ranger hors de la portée des enfants ou des personnes non qualifiées; les outils sont dangereux entre les mains de personnes inexpérimentées.
- Lorsqu'on n'utilise pas le bloc-pile, le ranger à l'écart des objets métalliques tels que les trombones, les pièces de monnaie, les clés, les clous, les vis ou autres petits objets susceptibles de conduire l'électricité entre les bornes et d'occasionner ainsi un court-circuit pouvant provoquer des étincelles, des brûlures ou un incendie.
- Bien entretenir l'outil et s'assurer qu'il est toujours bien propre et aiguisé; les outils bien entretenus et dont les bords sont bien tranchants sont moins susceptibles de rester coincés et sont plus faciles à maîtriser.
- Vérifier les pièces mobiles afin de s'assurer qu'elles sont bien alignées et qu'elles ne restent pas coincées; vérifier également les pièces afin de s'assurer qu'il n'y a ni bris ni aucune autre condition susceptible de nuire au bon fonctionnement de l'outil; faire réparer l'outil si ce dernier est endommagé avant de s'en servir à nouveau, car les accidents sont souvent causés par des outils mal entretenus.
- N'utiliser que les accessoires recommandés par le fabricant pour le modèle en question; un accessoire destiné à un outil particulier peut devenir dangereux lorsqu'il est utilisé avec un autre.

Entretien

- L'outil doit être entretenu ou réparé par le personnel qualifié seulement; toute maintenance effectuée par une personne non qualifiée peut entraîner des risques de blessure.
- Lors de l'entretien, n'utiliser que des pièces de rechange identiques et suivre les directives de la section « Entretien » du présent guide afin de prévenir les risques de choc électrique ou de blessure.

Règles de sécurité spécifiques

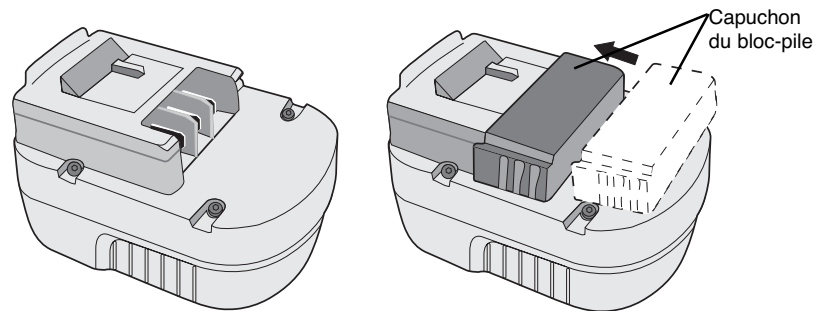
- Tenir l'outil par les surfaces isolées prévues à cette fin lorsque l'outil risque d'entrer en contact avec des fils cachés ou le cordon, car de tels contacts peuvent mettre les pièces métalliques de l'outil sous tension, engendrant des risques de choc électrique.
- Éviter tout contact entre le corps et les éléments mis à la terre, comme les tuyaux, les radiateurs, les cuisinières et les réfrigérateurs, afin de réduire les risques de choc électrique.

L'étiquette de l'outil peut comporter les symboles suivants.

V	volts	A	ampères
Hz	hertz	W	watts
min	minutes	~	courant alternatif
====	courant continu	no	sous vide
☐	Construction de classe II	⊕	borne de mise à la minute
⚠️	symbole d'avertissement	.../min	tours ou courses à la minute

INFORMATION CONCERNANT LE CAPUCHON DU BLOC-PILE

Un capuchon est fourni avec le bloc-pile en vue d'être utilisé chaque fois qu'on retire ce dernier de l'outil ou du chargeur en vue de le ranger ou de le transporter; enlever le capuchon avant de remettre le bloc-pile dans le chargeur ou dans l'outil.



- ⚠️ **AVERTISSEMENT** : S'assurer, au moment de ranger ou de transporter un bloc-pile ou une pile, qu'aucun objet métallique n'entre en contact avec leurs bornes à découvert de celui-ci. Par exemple, il faut éviter de placer un bloc-pile ou une pile sans capuchon dans un tablier, une poche, une boîte à outils ou un tiroir (etc.) contenant des objets tels que des clous, des vis ou des clés, car tout contact entre les bornes à découvert et un objet métallique comme une clé, une pièce de monnaie, un outil à main, etc. pourrait causer un incendie. En effet, les règlements américains Hazardous Material Regulations (HMR) du US Department of Transportation interdisent le transport d'un bloc-pile ou d'une pile dans tout moyen de transport commercial ou aéronautique (que ce soit dans une valise ou le bagage de cabine) SAUF s'ils sont bien protégés contre les courts-circuits. On doit donc s'assurer, lorsqu'on transporte un bloc-pile ou une pile séparément, de bien protéger et isoler les bornes contre tout matériau qui risque d'entrer en contact avec eux et de causer un court-circuit. L'étiquette de l'outil peut comporter les symboles suivants.

CHARGEMENT DU BLOC-PILE

LE BLOC-PILE N'EST PAS COMPLÈTEMENT CHARGÉ EN USINE. IL IMPORTE DONC DE LIRE ATTENTIVEMENT TOUTES LES CONSIGNES DE SÉCURITÉ AVANT DE LE CHARGER.

Le chargeur est conçu pour être branché dans une prise résidentielle standard de 120 volts et de 60 Hz.

1. Brancher le chargeur dans une prise murale appropriée.
2. Glisser le bloc-pile dans le chargeur, tel qu'illustré à la figure 1, et le charger pendant 9 heures. Après la charge initiale et à la suite d'une utilisation normale, le bloc-pile devrait se charger complètement en 3 à 6 heures.
3. Retirer le bloc-pile du chargeur et l'insérer dans l'outil. REMARQUE : pour retirer le bloc-pile de la scie, appuyer sur le bouton de dégagement situé à l'arrière du bloc-pile (figure 2) et tirer sur ce dernier pour le dégager.

CONSEILS IMPORTANTS CONCERNANT LE CHARGEMENT

1. À la suite d'une utilisation normale, le bloc-pile devrait prendre de 3 à 6 heures pour se charger complètement, et jusqu'à 6 heures s'il est complètement déchargé. Le bloc-pile n'est pas chargé au moment de quitter l'usine; on doit donc le charger pendant au moins 9 heures avant de l'utiliser.
2. Afin d'éviter d'endommager le bloc-pile, il est important de NE PAS le charger à des températures inférieures à +4,5 °C (+40 °F) ou supérieures à +40,5 °C (+105 °F). Pour augmenter la durée de vie du bloc-pile et optimiser son rendement, le charger à une température d'environ 24°C (75 °F).
3. Le chargeur peut émettre un bourdonnement ou devenir chaud au toucher durant le chargement. Cela est normal et n'indique pas la présence d'un problème.
4. Si le bloc-pile ne se charge pas normalement, il faut : (1) vérifier l'alimentation de la prise en y enfichant une lampe ou un appareil, (2) s'assurer que la prise n'est pas raccordée à un interrupteur qui coupe le courant lorsqu'on éteint les lumières, (3) placer le chargeur et le bloc-pile dans un endroit où la température ambiante est environ +4,5 °C (+40 °F) à +40,5 °C (+105 °F) ou, si le problème persiste, (4) retourner le bloc-pile et le chargeur au centre de service Black & Decker le plus près (les centres de service autorisés sont répertoriés dans les pages jaunes sous la rubrique « Outils - électriques »).
5. Le bloc-pile doit être rechargé lorsqu'il ne produit pas suffisamment de courant pour permettre à l'utilisateur de travailler normalement. On doit CESSER d'utiliser la scie dans de telles conditions.
6. On peut prolonger la durée de vie du bloc-pile en évitant de le laisser dans le chargeur pendant de longues périodes (plus de 30 jours lorsqu'on ne l'utilise pas). Bien que la surcharge du bloc-pile ne soit pas un problème au niveau de la sécurité, cette pratique peut réduire de façon appréciable sa durée de vie.
7. Lorsqu'on insère le bloc-pile dans le chargeur, le témoin rouge s'allume pour indiquer que le contact entre le bloc-pile et le chargeur s'est établi; celui-ci reste allumé tant que le bloc-pile est dans le chargeur et que ce dernier est enfiché dans une prise sous tension. Le témoin NE CLIGNOTERA PAS, ne s'éteindra pas et ne changera pas de couleur une fois la période de charge terminée.
8. Le bloc-pile atteindra son rendement optimal après avoir terminé cinq cycles de charge et de décharge au cours d'une utilisation normale. Il n'est pas nécessaire de décharger complètement le bloc-pile avant de le recharger. Le meilleur moyen de charger et de décharger le bloc-pile est de l'utiliser normalement.

Mode d'emploi

INTERRUPTEUR À GÂCHETTE ET BOUTON DE COMMANDE DE MARCHÉ ARRIÈRE – FIGURE 3

Enfoncer puis relâcher l'interrupteur à gâchette (fig. 3) pour démarrer et arrêter l'outil. Plus on enfonce l'interrupteur, plus la vitesse augmente. Un bouton de commande de marche avant-arrière, qui sert aussi de bouton de verrouillage en position d'arrêt, détermine la direction de marche de l'outil. Pour sélectionner la position de marche avant, relâcher l'interrupteur à gâchette et enfoncer le bouton de commande. Pour sélectionner la position de marche arrière, appuyer sur le même bouton pour choisir la direction opposée. La position centrale du bouton sert à verrouiller l'outil en position d'arrêt. On doit toujours relâcher la gâchette lorsqu'on change la position du bouton.

RÉGULATEUR DE COUPLE – FIGURE 4

Pour régler le couple de l'outil, tourner le collier de réglage de couple à la position voulue. Le collier comprend 23 positions d'embrayage; ces positions sont représentées par le symbole d'une vis sur le collier. Pour effectuer des travaux légers au moyen de petites vis, placer le collier au symbole représentant la plus petite vis. Le couple augmente chaque fois qu'on entend un déclic, lorsqu'on tourne le collier vers la droite. La vitesse la plus élevée, représentée par le symbole d'une mèche, est utilisée pour le mode perceuse. Le mécanisme d'embrayage ne fonctionne pas dans cette position.

PIVOTEMENT DE LA TÊTE DE LA PERCEUSE – FIGURE 5

On peut faire pivoter la tête de la perceuse jusqu'à cinq positions. Pour ce faire, appuyer sur le bouton de dégagement illustré à la figure 5 et faire pivoter la tête. Relâcher doucement le bouton avant d'atteindre la position voulue. Continuer à déplacer la tête afin de bien la verrouiller; celle-ci doit toujours être enclenchée fermement dans l'une des cinq positions.

SYSTÈME À FIXATION RAPIDE QUICK CONNECT^{MC} (POUR TIGES HEXAGONALES) – FIGURE 6

Pour insérer une mèche de tournevis dans la tige hexagonale Quick Connect^{MC}, la pousser jusqu'à ce qu'elle s'enclenche fermement. Pour la retirer, tenir la perceuse tel qu'illustré à la figure 6, puis pousser uniformément sur le collier à ressort avec deux doigts et sortir la mèche en la tirant en ligne droite.

MODE TOURNEVIS

Pour enfoncer des attaches, pousser le bouton de commande de marche arrière vers la gauche; pousser le bouton vers la droite pour les retirer. On doit toujours relâcher l'interrupteur à gâchette lorsqu'on change la position du bouton de la marche avant à la marche arrière, ou vice versa.

COMPARTIMENT DE RANGEMENT INTÉGRÉ

Un petit compartiment est intégré dans la section située juste au-dessus de la pile afin d'y ranger le tournevis.

MODE PERÇAGE

- Utiliser des mèches aiguisées seulement.
- Bien soutenir et fixer la pièce, conformément aux consignes de sécurité.
- Utiliser le matériel de sécurité approprié, conformément aux consignes de sécurité.
- Garder la zone de travail propre et sécuritaire, conformément aux consignes de sécurité.
- Faire fonctionner la perceuse très lentement en exerçant une légère pression, jusqu'à ce que le trou soit suffisamment profond pour empêcher la mèche d'en sortir.
- Appliquer une pression en ligne droite au moyen de la mèche en exerçant juste assez de pression pour permettre à la mèche de mordre dans la pièce, en évitant de caler le moteur ou de faire dévier la mèche.
- Saisir fermement la perceuse des deux mains afin de maîtriser la torsion de cette dernière.
- NE PAS ENFONCER ET RELÂCHER LA GÂCHETTE À PLUSIEURS REPRISES POUR ESSAYER DE REDÉMARRER LA PERCEUSE AFIN D'ÉVITER DE L'ENDOMMAGER.
- Réduire les risques de calage au minimum en réduisant la pression lorsque la mèche perce le matériau et en perçant lentement la dernière section du trou.
- Maintenir le moteur en marche lorsqu'on retire la mèche du trou percé afin d'éviter qu'elle reste coincée.
- Utiliser une huile de coupe pour percer des métaux, à l'exception de la fonte et du laiton, car ces derniers doivent être percés à sec. Les meilleurs lubrifiants sont l'huile sulfurée et l'huile de lard.
- Lorsqu'on utilise des mèches hélicoïdales pour percer des trous dans le bois, il faut sortir les mèches fréquemment pour enlever les copeaux restés coincés dans les cannelures.
- S'assurer que l'interrupteur peut mettre la perceuse en position de marche ou d'arrêt.

⚠ **AVERTISSEMENT** : il est important de bien immobiliser la pièce et de saisir fermement l'outil afin d'éviter de perdre la maîtrise, ce qui pourrait entraîner des blessures. Pour obtenir de plus amples renseignements sur le fonctionnement de cet outil, composer le **1 800 544-6986**.

PERÇAGE DU BOIS

On peut percer le bois au moyen des mèches hélicoïdales qu'on utilise pour le métal ou de mèches à vrille. On doit utiliser des mèches bien aiguisées et les sortir fréquemment pour enlever les copeaux restés coincés dans les cannelures.

PERÇAGE DU MÉTAL

Utiliser une huile de coupe lorsqu'on perce des métaux, à l'exception de la fonte et du laiton, car ces derniers doivent être percés à sec. Pour cette tâche, les meilleurs lubrifiants sont l'huile sulfurée et l'huile de lard.

PERÇAGE DE LA MAÇONNERIE

Utiliser des mèches à pointe carburée (voir la section « Mode perçage »). Maintenir une pression uniforme sur la perceuse, sans trop forcer pour éviter de fissurer les matériaux plus cassants. La vitesse choisie est appropriée lorsque la poussière est soulevée uniformément et régulièrement.

DÉPANNAGE

Problème	Cause possible	Solution possible
• L'appareil refuse de démarrer.	• Mauvaise installation de la batterie. • Pile non chargée.	• Vérifier l'installation de la batterie. • Vérifier les exigences de charge pour la pile.
• La pile ne se charge pas.	• Pile non insérée dans le chargeur. • Chargeur non branché.	• Insérer la pile dans le chargeur de sorte que le voyant DEL rouge apparaisse. • Brancher le chargeur dans une prise qui fonctionne. Se reporter à la rubrique « Remarques importantes de chargement » pour plus de renseignements. • Vérifier le courant à la prise en branchant une lampe ou un autre appareil électrique. • Vérifier si la prise est reliée à un interrupteur qui coupe le courant au moment d'éteindre la lumière
	• Température ambiante trop chaude ou froide.	• Déplacer le chargeur et l'outil à une température ambiante de plus de 4,5 °C (40 °F) ou sous les 40,5 °C (105 °F) 105 degree F (+40,5°C).

Pour de l'aide avec l'outil, consulter notre site Web www.blackanddecker.com pour l'emplacement du centre de réparation le plus près ou communiquer avec l'assistance BLACK & DECKER au **1-800-544-6986**.

ENTRETIEN

N'utiliser que du savon doux et un chiffon humide pour nettoyer l'outil; ne jamais laisser de liquide pénétrer à l'intérieur de ce dernier et ne jamais l'immerger dans un liquide quelconque.

Une application occasionnelle d'huile domestique sur la tige hexagonale à fixation rapide Quick Connect^{MC} aidera à prévenir la rouille.

IMPORTANT : pour assurer la SÉCURITÉ et la FIABILITÉ de cet outil, toutes les opérations de réparation, d'entretien et de réglage (autres que celles décrites aux présentes) doivent être effectuées par un centre de service autorisé ou qualifié; on ne doit utiliser que des pièces de rechange identiques.

SCEAU RBRC^{MC}

Le sceau RBRC^{MC} de la Rechargeable Battery Recycling Corporation apposé sur la pile au nickel-cadmium (ou le bloc-pile) indique que les coûts de recyclage de ce dernier à la fin de sa vie utile ont déjà été payés par Black & Decker. En certains endroits, la mise au rebut ou aux ordures municipales des piles au nickel-cadmium est illégale; le programme de «RBRC» constitue donc une solution des plus pratiques et écologiques.

La «RBRC», en collaboration avec Black & Decker et d'autres utilisateurs de piles, a mis sur pied des programmes aux États-Unis et au Canada dans le but de faciliter la collecte des piles déchargées. Black & Decker encourage ses utilisateurs à participer à son programme de protection de l'environnement et de conservation des ressources naturelles en retournant les piles usagées à un centre de service autorisé Black & Decker ou chez un dépositaire local afin qu'elles puissent être recyclées. On peut en outre se renseigner auprès d'un centre de recyclage local pour connaître d'autres sites les acceptant, ou composer le **1 800 8-228-8379** pour obtenir de l'information sur le recyclage de ces piles dans sa région.

ACCESSOIRES

Les accessoires recommandés pour chaque outil sont offerts chez les dépositaires locaux ou dans les centres de service autorisés. Pour obtenir plus d'information sur les accessoires, composer le **1 800 544-6986**.

⚠ **AVERTISSEMENT** : l'usage d'un accessoire non recommandé peut présenter un danger.

On ne doit utiliser que des accessoires ayant les dimensions précisées ci-dessous :
MÈCHES À MÉTAL - jusqu'à 9,5 mm (3/8 po); MÈCHES À MAÇONNERIE - jusqu'à 9,5 mm (3/8 po); MÈCHES À BOIS - jusqu'à 12,7 mm (1/2 po)

INFORMATION SUR LES SERVICES

Tous les centres de service Black & Decker sont dotés de personnel qualifié en matière d'outillage électrique; ils sont donc en mesure d'offrir à leur clientèle un service efficace et fiable. Pour obtenir un conseil technique ou une pièce d'origine ou pour faire réparer un outil, on peut communiquer avec le centre Black & Decker le plus près. Pour obtenir le numéro de téléphone, consulter les pages jaunes sous la rubrique «Outils - électriques», composer le **1 800 544-6986** ou encore, visiter notre site Web www.blackanddecker.com.

GARANTIE COMPLÈTE DE DEUX ANS POUR USAGE RÉSIDENTIEL

Black & Decker (U.S.) Inc. garantit ce produit pour une période de deux ans contre tout défaut de matériel ou de fabrication. Le produit défectueux sera remplacé ou réparé sans frais, suivant l'une des deux méthodes suivantes.

La première méthode consiste en un échange seulement. On doit retourner le produit au détaillant qui l'a vendu (pourvu qu'il s'agisse d'un détaillant participant), en respectant les délais stipulés dans sa politique relative aux échanges (normalement de 30 à 90 jours après la vente). Une preuve d'achat peut être requise. On doit vérifier la politique de retour du détaillant pour tout produit retourné après le délai prescrit pour les échanges.

La deuxième méthode consiste à apporter ou à envoyer le produit (prépayé) à un centre Black & Decker ou à un centre de service autorisé aux fins de réparation ou de remplacement, selon notre choix. Une preuve d'achat peut être requise. Les centres Black & Decker et les centres de service autorisés sont répertoriés dans les pages jaunes sous la rubrique «Outils - électriques» et sur notre site Web www.blackanddecker.com.

Cette garantie ne s'applique pas aux accessoires. Elle confère des droits légaux particuliers à l'acheteur, mais celui-ci pourrait aussi bénéficier d'autres droits variant d'un territoire à l'autre. Toute question doit être adressée au gérant du centre Black & Decker le plus près. Ce produit n'est pas destiné à un usage commercial.

Remplacement gratuit des étiquettes d'avertissement : Si vos étiquettes d'avertissement deviennent illisibles ou sont manquantes, composez le **1 (800) 544-6986** pour faire remplacer gratuitement vos étiquettes.

Imported by / Importé par
Black & Decker Canada Inc.
100 Central Ave.
Brockville (Ontario) K6V 5W6

Voir la rubrique «Outils électriques»
des Pages Jaunes
pour le service et les ventes.

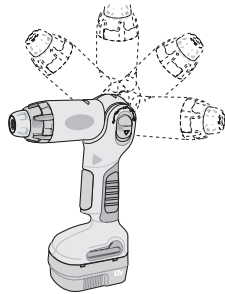


BLACK & DECKER®

TALADRO INALÁMBRICO DE 5 POSICIONES DE 12 VOLTIOS

MANUAL DE INSTRUCCIONES

Catalog No. XD1200



¡GRACIAS POR ELEGIR BLACK & DECKER!

VAYA A WWW.BLACKANDDECKER.COM/NEWOWNER PARA REGISTRAR SU NUEVO PRODUCTO.

ANTES DE DEVOLVER ESTE PRODUCTO POR CUALQUIER MOTIVO, LLAME AL (55)5326-7100

ANTES DE LLAMAR, TENGA EL NÚMERO DE CATÁLOGO Y EL CÓDIGO DE FECHA PREPARADOS. EN LA MAYORÍA DE LOS CASOS, UN REPRESENTANTE DE BLACK & DECKER PUEDE RESOLVER EL PROBLEMA POR TELÉFONO. SI DESEA REALIZAR UNA SUGERENCIA O COMENTARIO, LLÁMENOS. SU OPINIÓN ES FUNDAMENTAL PARA BLACK & DECKER.

INFORMACION IMPORTANTE QUE USTED DEBE SABER

• Cargue la batería durante 9 horas antes de utilizar el producto por primera vez. Para mayor información consulte las instrucciones "PARA CARGAR EL APARATO DE RECARGA DE BATERIA".

CONSERVE ESTE MANUAL PARA FUTURAS CONSULTAS.

⚠️ REGLAS GENERALES DE SEGURIDAD - PARA TODAS LAS HERRAMIENTAS QUE FUNCIONAN CON BATERÍAS.

⚠️ ADVERTENCIA! LEA Y ASEGÚRESE DE COMPRENDER TODAS LAS INSTRUCCIONES.

El no hacerlo puede originar riesgos de electrochoque, incendio, y lesiones personales de gravedad.

GUARDE ESTAS INSTRUCCIONES

Área de trabajo

- **Conserve su área de trabajo limpio y bien iluminado.** Los bancos amontonados y las zonas oscuras propician los accidentes.
- **No utilice herramientas eléctricas en atmósferas explosivas, tales como en presencia de líquidos, gases o polvos inflamables.** Las herramientas eléctricas producen chispas que pueden originar la ignición de los polvos o los vapores.
- **No permita a ningún observador, niño o visitante acercarse mientras opera una herramienta eléctrica.** Las distracciones pueden hacerle perder el control.

Seguridad eléctrica

- **No maltrate el cable. Nunca tome la herramienta por el cable para transportarla. Mantenga el cable alejado de calor, del aceite, de bordes afilados o de piezas móviles. Cambie inmediatamente los cables dañados.** Estos podrían originar un incendio.
- **Una herramienta que funciona con baterías integradas o por separado debe recargarse solamente con el cargador especificado para esa batería.** Un cargador adecuado para un tipo de batería puede originar riesgos de incendio cuando se utiliza con otro tipo de batería.
- **Utilice su herramienta de baterías sólo con las baterías designadas específicamente para la misma.** El uso de otro tipo de baterías puede originar riesgos de incendio.

Seguridad personal

- **Esté siempre alerta, concéntrese en lo que está haciendo y recurra al sentido común cuando utilice una herramienta eléctrica. No utilice ninguna herramienta si se encuentra fatigado o bajo la influencia de drogas, alcohol o medicamentos.** Un descuido de su parte mientras utiliza una herramienta eléctrica puede ocasionarle graves lesiones.
- **Vístase adecuadamente. No utilice ropa floja ni joyas. Sujete el cabello si lo tiene largo. Mantenga el cabello, ropas y guantes alejados de las piezas móviles.** Las piezas de vestir flojas, las joyas y el cabello largo pueden quedar atrapadas por las piezas móviles.
- **Evite el encendido accidental. Asegúrese de que el interruptor esté apagado o asegurado antes de conectar el aparato.** Sostener una herramienta con su dedo colocado en el interruptor o conectarla sin fijarse si el interruptor está encendido, puede provocar accidentes.
- **Retire las llaves de ajuste o presión antes de encender la herramienta.** El dejar una llave en una pieza giratoria puede ocasionar lesiones personales.
- **No se incline demasiado. Conserve siempre los pies bien apoyados, al igual que su equilibrio.** La posición correcta de los pies y el equilibrio permiten controlar mejor la herramienta en situaciones inesperadas.
- **Utilice equipo de seguridad. Proteja siempre sus ojos.** Las mascarillas contra el polvo, los zapatos de seguridad antideslizantes, el casco o los protectores auditivos deben ser utilizados con el fin de trabajar en condiciones apropiadas.

Uso y cuidados de la herramienta

- **Utilice prensas u otros medios prácticos para asegurar y apoyar la pieza de trabajo a una plataforma estable.** Sujetar las piezas con la mano o contra su cuerpo es inestable y puede originar la pérdida de control.
- **No fuerce la herramienta. Utilice la herramienta adecuada según la situación.** Esto le permitirá ejecutar mejor el trabajo, de manera más segura y al ritmo para el cual ha sido diseñada.
- **No utilice la herramienta si el interruptor no la enciende y la apaga.** Cualquier herramienta que no pueda controlarse por medio del interruptor es peligrosa y debe ser reparada.

- **Desconecte la batería de la herramienta o coloque el interruptor en la posición de seguro o apagado antes de realizar cualquier ajuste, cambiar accesorios o guardar la herramienta.** Esta medida preventiva reduce el riesgo de encendido accidental de la herramienta.
- **Guarde las herramientas que no utiliza fuera del alcance de los niños y de cualquier otra persona no entrenada.** Las herramientas son peligrosas en manos de personas sin entrenamiento.
- **Cuando no utilice la batería, consérvela alejada de otros objetos metálicos tales como clips, monedas, llaves, clavos, tornillos y otros pequeños objetos metálicos que puedan hacer conexión entre una terminal y la otra.** Hacer corto entre las terminales de la batería puede originar chispas, quemaduras o incendios.
- **Mantenga adecuadamente sus herramientas. Conserve las herramientas de corte afiladas y limpias.** Aquellas herramientas con piezas de corte afiladas que reciben un mantenimiento adecuado, difícilmente se atascan y son más fáciles de controlar.
- **Verifique la correcta alineación de las piezas móviles, presencia de roturas en las piezas y cualquier otra anomalía que pueda afectar el funcionamiento adecuado de las herramientas. Si su herramienta se encuentra dañada, llévela al servicio de mantenimiento antes de utilizarla.** La falta de un mantenimiento adecuado puede ser la causa de muchos accidentes.
- **Utilice solamente aquellos accesorios recomendados por el fabricante para el modelo de la herramienta que usted posee.** Los accesorios apropiados para una herramienta pueden resultar peligrosos cuando se usan en otra.

Servicio

- **El servicio a la herramienta debe ser hecho por personal de reparación calificado únicamente.** El servicio o mantenimiento realizado por personal no calificado puede provocar riesgos de lesiones.
- **Cuando se efectúe el mantenimiento de una herramienta, utilice únicamente accesorios originales. Siga las instrucciones presentadas en la sección Mantenimiento, de este manual.** El empleo de piezas no autorizadas o el no seguir las instrucciones de mantenimiento, puede originar riegos de electrochoque o lesiones

Règles de sécurité spécifiques

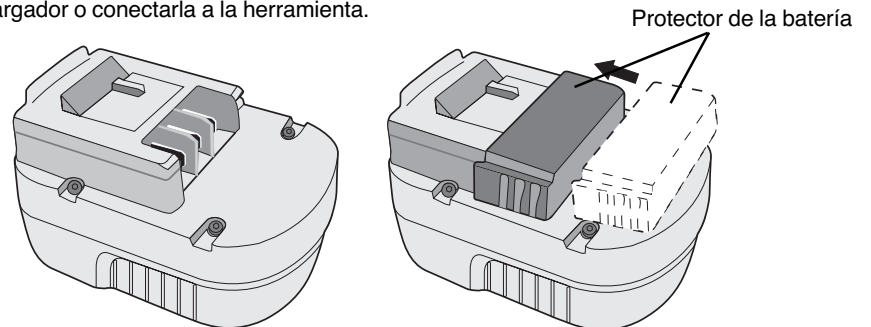
- **Cuando realice una operación en la cual la herramienta pueda hacer contacto con cables escondidos, sosténgala de las partes con aislamiento antideslizante.** El contacto con un cable con corriente hará que las partes metálicas de la herramienta puedan transmitir una descarga eléctrica al operario.
- **Evite el contacto corporal con superficies a tierra tales como tubería, radiadores, estufas/cocinas y refrigeradores.** El riesgo de electrochoque se incrementa cuando el cuerpo está en contacto a tierra.

La etiqueta de su herramienta puede incluir los siguientes símbolos.

V	volts	A.....	amperes
Hz	hertz	W	watts
min	minutos	~	corriente alterna
====	corriente directa	nº	velocidad sin carga
☐	construcción clase II	⊕	terminales de conexión a tierra
⚠	símbolo de alerta seguridad	.../min	revoluciones o reciprocaciones por minuto

INFORMACIÓN ACERCA DEL PROTECTOR DE LA BATERÍA

Se han incluido protectores para el almacenaje y transporte de la batería. Estos deben ser usados cuando la batería no esté conectada a la herramienta ni en el cargador. Recuerde quitar el protector antes de poner la batería en el cargador o conectarla a la herramienta.



- **ADVERTENCIA:** No guarde ni lleve baterías, unidades de alimentación o pilas en un lugar donde sus terminales pudieran entrar en contacto con algún objeto metálico. Por ejemplo, no ponga baterías, unidades de alimentación o pilas dentro de un delantal o bolsillo, una caja de herramientas o de almacenamiento del producto, un cajón, etc., junto con clavos sueltos, tornillos, llaves, etc. si no están debidamente protegidas. El transporte de baterías, unidades de alimentación o pilas puede causar un incendio si sus terminales entran en contacto sin querer con materiales conductores como llaves, monedas, herramientas de mano y otros por el estilo. De hecho, el reglamento sobre materiales peligrosos (HMR) del Ministerio de Transporte de los Estados Unidos prohíbe el transporte de baterías, unidades de alimentación o pilas en cualquier tipo de transporte terrestre o aéreo (es decir, embaladas en maletas y maletines de mano) A NO SER que estén debidamente protegidas de hacer cortocircuito. Por lo tanto, cuando transporte baterías, unidades de alimentación o pilas individuales, asegúrese que sus terminales estén protegidos y debidamente aislados de materiales que pudieran entrar en contacto con ellos y causar un cortocircuito.

CONSERVE ESTAS INSTRUCCIONES

PARA CARGAR LA BATERÍA

EL GRUPO DE BATERÍAS NO ESTÁ COMPLETAMENTE CARGADO DE FÁBRICA. ANTES DE CARGAR LAS BATERÍAS, LEA A FONDO TODAS LAS INSTRUCCIONES DE SEGURIDAD.

El cargador está diseñado para corriente estándar casera de 120 voltios y 60 Hz.

1. Enchufe la batería en cualquier toma de corriente de 120 voltios / 60 Hz.
2. Deslice el cargador sobre la batería de acuerdo a las instrucciones contenidas en el Cuadro 1 y déjelo cargar durante **9 horas**. Luego de la carga inicial y bajo uso normal, su batería debería cargarse totalmente en un espacio de **3 a 6 horas**.
3. Remueva la batería del cargador y colóquelo en la herramienta. NOTA: Para remover la batería de la sierra, apriete en el botón de desenlace, apriete en la parte trasera de la batería (Cuadro 2) y retírelo.

NOTAS IMPORTANTES RESPECTO EL CARGADO

1. Luego de uso normal su batería debería recargarse totalmente en un plazo de 3 a 6 horas. En el caso de que se encuentre totalmente descargado puede demorar hasta 6 horas en recargarse. Su batería fue enviada desde la fábrica sin estar cargada. Antes de intentar usarlo debe cargarse durante 9 horas.
2. **NO CARGUE** la batería a una temperatura inferior a 40°F ni mayor a 105°F. Esto es muy importante y asistirá en prevenir daños serios a la batería. Una vida útil duradera y el máximo rendimiento pueden obtenerse a una temperatura de 75°F.
3. Mientras este cargando la batería, el cargador puede en algunos casos emitir un zumbido y su temperatura puede aumentar ligeramente. Esta es una condición normal que no implica ningún problema.
4. En caso de que el cargador no cargue adecuadamente - (1) Verifique la corriente en el receptáculo enchufando una lámpara o accesorio similar a la toma de corriente. (2) Verifique si el receptáculo está conectado a una toma de luz que apaga la corriente al apagar las luces. (3) Mueva la batería y el cargador a una temperatura ambiente de 40°F a 105°F. (4) Si el receptáculo está en buen estado y la temperatura es la correcta y no logra cargar la batería, lleve o envíe su batería y cargador a un centro Black & Decker cercano a su domicilio. Ver bajo Herramientas Eléctricas en las páginas amarillas de su Anuario telefónico.
5. El cargador debe recargarse cuando ya no produce suficiente energía para labores que se realizaban fácilmente con anterioridad. **NO CONTINUE A UTILIZAR SU SIERRA con la batería si éstas se encuentran sin energía.**

- Para prolongar la vida útil de la batería, evite que esté cargándose durante periodos de tiempo largos (Mas de 30 días sin uso). Aun cuando una sobrecarga no es un factor de seguridad, puede afectar considerablemente su vida útil.
- Cuando la batería se encuentra insertado en el cargador, el "Indicador de Carga" rojo se encenderá indicando que existe contacto entre la batería y el cargador. La luz permanecerá encendida mientras la batería se encuentre en el cargador y el mismo se encuentra enchufado a la toma de corriente. En caso de que NO SE ENCIENDA, retire o cambie a un color diferente cuando el ciclo este completo.
- El cargador alcanzara su rendimiento óptimo luego de haber completado 5 ciclos bajo uso normal. No hay necesidad de dejar que se descarguen totalmente las baterías antes de recargarlas. El uso normal es el mejor método para descargar y recargar las baterías.

Instructivo de Operación

INTERRUPTOR DE DISPARO Y BOTÓN DE REVERSA - FIGURA 3

El taladro se PRENDE y se APAGA al oprimir y soltar el interruptor de disparo según se ilustra en la Figura 3. Mientras más a fondo oprima el interruptor, mayor será la velocidad del taladro. El botón de control de marcha adelante/atrás determina la dirección en que gira la herramienta y también actúa como seguro. Para seleccionar la rotación hacia adelante, suelte el interruptor de disparo y oprima el botón de control adelante/reversa. Para seleccionar la marcha atrás, oprima el botón de control en dirección contraria. La posición central del botón de control asegura la herramienta en posición apagada. Cuando cambie la posición del botón de control, asegúrese de que el interruptor de disparo está libre.

CONTROL DE TORSIÓN - FIGURA 4

Para fijar la torsión de la herramienta, gire el collarín de torsión de apriete según sea necesario. Hay 23 fijaciones de embrague en total. Estas se indican mediante iconos de tornillos dibujados en el collarín de torsión de apriete. Para trabajos livianos que requieren tornillos pequeños, fije el collarín en el icono del tornillo más pequeño. Cada "clic" en dirección horaria significa un aumento en la torsión. La posición más alta es el modo taladro y se indica mediante un icono de broca. En esta posición el embrague no operará.

PARA GIRAR EL CABEZAL PORTABROCA - FIGURA 5

El cabezal puede girar en cinco posiciones. Para esto, empuje el botón de liberación según se ilustra en la figura 5 y gire el cabezal. Suelte el botón un poco antes de alcanzar la posición deseada. Continúe moviendo el cabezal del portabroca hasta que quede fijo en su lugar. El cabezal deberá siempre quedar fijado en alguna de las cinco posiciones.

SISTEMA DE CAMBIO DE BROCA QUICK CONNECT™ (PARA VÁSTAGOS HEXAGONALES) - FIGURA 6

Para insertar una broca destornilladora u otro accesorio de vástago hexagonal en la barra hexagonal Quick Connect™, empuje la broca hasta que usted oiga "clic" y se asienta en su lugar. Para quitar la broca, sujete el taladro según se ilustra en la Figura 6. Empuje hacia adentro uniformemente sobre el collarín de resorte con dos dedos y saque la broca en forma recta hacia afuera.

ATORNILLADO Y DESTORNILLADO

Para atornillar sujetadores, se debe empujar el botón de reversa hacia la izquierda. Use el botón de reversa (empujado hacia la derecha) para quitar los sujetadores. Antes de mover el botón de adelante a reversa, o viceversa, siempre debe soltar el interruptor de disparo primero.

GUARDABROCAS INCORPORADO

Se ha incorporado un espacio para guardar la broca de atornillar en el área justo encima de la batería.

TALADRADO

- Use sólo brocas afiladas.
- Asegure y apoye la pieza de trabajo adecuadamente, según se indica en las Instrucciones de seguridad.
- Use el equipo de seguridad apropiado y necesario, según se indica en las Instrucciones de seguridad.
- Asegure y mantenga su área de trabajo según se indica en las Instrucciones de seguridad.
- Opere el taladro muy lentamente, presionando levemente, hasta que el hueco esté lo suficientemente definido para que la broca no se salga del hueco.
- Aplique presión en alineamiento recto con la broca. Ejercer suficiente presión para que la broca permanezca en rotación, pero no demasiada para evitar que el motor se atasque o la broca se desvíe.
- Sujete firmemente el taladro para controlar la fuerza de torsión del taladro.
- NO PRENDER Y APAGAR EL INTERRUPTOR DE DISPARO CON EL FIN DE INTENTAR HACER FUNCIONAR LA BROCA ATASCADA - ESTO PUEDE DAÑAR EL TALADRO
- Minimice el atascamiento por perforado de material mediante reducción de la presión y taladrado lento a través de la última parte del hueco.
- Mantenga el motor en funcionamiento al retirar la broca del interior de la perforación. Esto evita su atoramiento.
- Use un lubricante para corte al taladrar metales. Las excepciones son el hierro colado y el latón, los cuales deben taladrarse en seco. Los lubricantes para corte que mejor funcionan son aceites sulfurizados para corte o manteca de cerdo.
- Al usar brocas helicoidales para taladrar huecos en madera, será necesario sacar las brocas frecuentemente para retirar las virutas que se acumulan en sus ranuras.
- Asegúrese de que el interruptor prende y apaga el taladro.

⚠️ ADVERTENCIA: Es importante apoyar la pieza de trabajo adecuadamente y sujetar el taladro firmemente para evitar la pérdida de control que podría causar daño personal. Si tiene preguntas sobre como operar la herramienta correctamente, llame al: **(55)5326-7100**

TALADRADO EN MADERA

Los huecos en madera pueden efectuarse con las mismas brocas helicoidales usadas para metal o con brocas de horquilla. Estas brocas deben ser afiladas y deben retirarse frecuentemente al taladrar, para limpiar las virutas de las ranuras.

TALADRADO EN METAL

Use un lubricante para corte al taladrar metales. Las excepciones son el hierro colado y el latón, los cuales deben taladrarse en seco. Los lubricantes para corte que mejor funcionan son aceites sulfurizados para corte o manteca de cerdo.

TALADRADO EN ALBAÑILERÍA

Use brocas con puntas de carburo de tungsteno. Refiérase a la sección Taladrado. Mantenga una fuerza uniforme sobre el taladro, pero no tanto que se fracture el material quebradizo. Un flujo uniforme y suave de rebabas indica que se está taladrando a una velocidad adecuada.

DETECCIÓN DE PROBLEMAS

Problema	Causa posible	Solución posible
• La unidad no enciende.	• La batería no está bien instalada.	• Verifique la instalación de la batería.
	• La batería no carga.	• Verifique los requisitos de carga de la batería.
• La batería no carga.	• La batería no está insertada en el cargador.	• Inserte la batería en el cargador hasta que se encienda la luz roja (LED).
	• El cargador no está enchufado.	• Enchufe el cargador en un tomacorriente que funcione. Para conocer más detalles, consulte "Notas importantes sobre la carga".
	• Temperatura ambiental demasiado caliente o demasiado fría.	• Controle la corriente del tomacorriente enchufando una lámpara u otro artefacto.
		• Verifique si el tomacorriente está conectado a un interruptor que corta la energía cuando usted apaga la luz.
		• Mueva el cargador y la herramienta a un ambiente con una temperatura superior a 4,5 °C (40 °F) o inferior a 40,5 °C (105 °F).

Para conocer la ubicación del centro de mantenimiento más cercano a fin de recibir ayuda con su producto, visite nuestro sitio Web www.blackanddecker.com o llame a la línea de ayuda BLACK & DECKER al **(55)5326-7100**.

MANTENIMIENTO

Utilice solamente jabón suave y agua para limpiar la herramienta. Nunca permita que ningún líquido se introduzca dentro de la misma; nunca sumerja ninguna parte de la herramienta dentro de ningún líquido.

Una aplicación ocasional de aceite casero a la barra hexagonal Quick Connect™ ayudará a prevenir el óxido".

IMPORTANTE: Para garantizar la SEGURIDAD y la FIABILIDAD del producto, las reparaciones, el mantenimiento y los ajustes (no enumerados en este manual), deberán ser realizados en los centros autorizados de servicio u otras organizaciones de servicio calificadas, utilizando siempre para ello accesorios originales.

EL SELLO RBRC™

El sello RBRC™ (Rechargeable Battery Recycling Corporation) en las baterías de níquelcadmio, indica que el costo del reciclaje de la batería (o grupo de baterías), al final de su vida útil, ya ha sido pagado por Black & Decker. En algunas áreas es ilegal colocar las baterías de níquelcadmio desgastadas en la basura doméstica o en los basureros municipales y el programa RBRC™ proporciona una alternativa ambiental conveniente.

La RBRC, en cooperación con Black & Decker y otros usuarios de baterías, han establecido programas en los Estados Unidos para facilitar la recolección de baterías de níquelcadmio desgastadas. Al llevar sus baterías desgastadas de níquelcadmio a un centro de servicio autorizado Black & Decker o a su minorista local para el reciclaje de su batería, usted ayuda a proteger nuestro medio ambiente y a conservar nuestros recursos naturales. Usted puede comunicarse con el centro de reciclaje de su localidad para que le informen acerca de los lugares donde usted puede regresar las baterías desgastadas, o llame a **(55)5326-7100**.



ACCESORIOS

Los accesorios que se recomiendan usar con su herramienta están disponibles donde su distribuidor o centro de servicio local. De necesitar asistencia para obtener un accesorio, favor llamar a: **(55)5326-7100**.

⚠️ ADVERTENCIA: Puede ser peligroso usar cualquier accesorio no recomendado.

Los accesorios siguientes deben usarse únicamente en los tamaños especificados a continuación:

BROCAS, TALADRADO EN METAL – Hasta 3/8" (9.5mm); BROCAS, TALADRADO EN ALBAÑILERÍA – Hasta 3/8" (9.5mm); TALADRADO EN MADERA – Hasta 1/2" (12.7mm).

INFORMACIÓN DE SERVICIO

Todos los Centros de Servicio Black & Decker están dotados de personal capacitado para proporcionar un servicio técnico eficiente y fiable a las máquinas herramientas de nuestros clientes. Contacte al local Black & Decker más cercano para obtener consejos técnicos, reparaciones o repuestos de fábrica originales. Para encontrar el local de servicio más cercano, busque en las páginas amarillas bajo "Herramientas eléctricas", llame al **(55)5326-7100** o visite nuestra página web www.blackanddecker.com

GARANTÍA COMPLETA DE DOS AÑOS PARA USO DOMÉSTICO

Black & Decker (U.S.) Inc. garantiza este producto por dos años contra cualquier defecto en su material o fabricación. Existen dos opciones para reemplazar o reparar el producto defectuoso, sin costo.

La primera, la cual resultará sólo en un cambio, es devolver el producto al vendedor del cual fue comprado (siempre que sea un local participante). Las devoluciones deberán realizarse durante el plazo especificado en la política de devoluciones del vendedor (generalmente entre 30 y 90 días después de la fecha de compra). Puede que sea necesario presentar prueba de compra. Por favor averigüe cuál es la política del vendedor para devoluciones efectuadas más allá del plazo para cambios.

La segunda opción es llevar o enviar el producto (con franqueo pagado) a un centro de servicio autorizado o al Centro de Servicio Black & Decker para su reparación o reemplazo, a decisión nuestra. Puede que sea necesario presentar prueba de compra. Los centros de servicio autorizados y Centros de Servicio Black & Decker se encuentran en las páginas amarillas bajo "Herramientas eléctricas" y en nuestra página web www.blackanddecker.com.

Esta garantía no aplica a los accesorios. Esta garantía le da derechos legales específicos además de los cuales puede tener otros, los cuales varían entre estados. Si tuviese alguna pregunta, contacte al gerente de su Centro de Servicio Black & Decker más cercano. Este producto no es para uso comercial.

Reemplazo gratuito de la etiqueta de advertencias: Si sus etiquetas de advertencia se vuelven ilegibles o faltan, llame al **(55)5326-7100** para que se le reemplacen gratuitamente.

Para reparación y servicio de sus herramientas eléctricas, favor de dirigirse al Centro de Servicio más cercano:

CULIACAN, SIN Av. Nicolás Bravo #1063 Sur (667) 7 12 42 11 Col. Industrial Bravo	MONTERREY, N.L. Av. Francisco I. Madero No.831 (81) 8375 2313 Col. Centro	TORREON, COAH Blvd. Independencia, 96 Pte. (871) 716 5265 Col. Centro
GUADALAJARA, JAL Av. La Paz #1779 (33) 3825 6978 Col. Americana Sector Juarez	PUEBLA, PUE 17 Norte #205 (222) 246 3714 Col. Centro	VERACRUZ, VER Prolongación Díaz Mirón #4280 (229)921 7016 Col. Remes
MEXICO, D.F. Eje Central Lázaro Cardenas No. 18 (55) 5588 9377 Local D, Col. Obrera	QUERETARO, QRO Av. Madero 139 Pte. (442) 214 1660 Col. Centro	VILLAHERMOSA, TAB Constitución 516-A (993) 312 5111 Col. Centro
MERIDA, YUC Calle 63 #459-A (999) 928 5038 Col. Centro	SAN LUIS POTOSI, SLP Av. Universidad 1525 (444) 814 2383 Col. San Luis	

PARA OTRAS LOCALIDADES LLAME AL: (55) 5326 7100

Para servicio y ventas consulte "HERRAMIENTAS ELÉCTRICAS" en la sección amarilla.



IMPORTADO: BLACK & DECKER S.A. DE C.V.
BOSQUES DE CIDROS ACCESO RADIATAS NO. 42
COL. BOSQUES DE LAS LOMAS.
05120 MÉXICO, D.F.
TEL. (55)5326-71-00

ESPECIFICACIONES

Cargador:
INPUT: 120 V AC 60 HZ
0.7 AMPS (NOM 0,7 A)
OUTPUT: 0.8 AMPS DC
(NOM 0,8 A)

Free Manuals Download Website

<http://myh66.com>

<http://usermanuals.us>

<http://www.somanuals.com>

<http://www.4manuals.cc>

<http://www.manual-lib.com>

<http://www.404manual.com>

<http://www.luxmanual.com>

<http://aubethermostatmanual.com>

Golf course search by state

<http://golfingnear.com>

Email search by domain

<http://emailbydomain.com>

Auto manuals search

<http://auto.somanuals.com>

TV manuals search

<http://tv.somanuals.com>