



BOSCH



Register your
new device on
MyBosch now and
get free benefits:
**[bosch-home.com/
welcome](https://www.bosch-home.com/welcome)**

Tumble dryer

WQA655A00W

[en] User manual and installation
instructions

Further information and explanations are available online:



Table of contents

1 Safety	4	8 Dryness level.....	29
1.1 General information.....	4	8.1 Changing the dryness level.....	29
1.2 Intended use.....	4	8.2 Adjusting the dryness level	29
1.3 Restriction on user group.....	4	9 Programmes	30
1.4 Safe installation	5	9.1 Automatic programmes.....	30
1.5 Safe use	7	9.2 Timed programmes.....	32
1.6 Safe cleaning and maintenance.....	9	10 Accessories.....	34
2 Preventing material damage	11	11 Laundry.....	35
3 Environmental protection and saving energy.....	11	11.1 Preparing the laundry.....	35
3.1 Disposing of packaging	11	12 Basic operation	35
3.2 Saving energy.....	11	12.1 Switching on the appliance... ..	35
3.3 Energy saving mode	12	12.2 Setting a programme	35
4 Installation and connection.....	12	12.3 Adjusting the programme settings.....	35
4.1 Unpacking the appliance	12	12.4 Saving the programme settings.....	36
4.2 Scope of delivery.....	12	12.5 Loading laundry.....	36
4.3 Requirements for the installation location.....	13	12.6 Starting the programme	36
4.4 Water drain hose.....	14	12.7 Adding laundry.....	36
4.5 Aligning the appliance.....	16	12.8 Cancelling the programme... ..	36
4.6 Reversing the door.....	16	12.9 Unloading the laundry.....	36
4.7 Connecting the appliance to the electricity supply.....	18	12.10 Switching off the appliance.....	36
5 Familiarising yourself with your appliance.....	20	12.11 Fluff filter.....	37
5.1 Appliance	20	12.12 Condensation container	38
5.2 Wool basket	21	13 Childproof lock.....	40
5.3 Allergen filter	21	13.1 Activating the childproof lock.....	40
5.4 Control panel.....	21	13.2 Deactivating the childproof lock.....	40
5.5 Operating logic.....	22	14 Allergen filter.....	40
6 Display	23	14.1 Inserting the allergen filter.....	40
7 Buttons	26		

14.2 Starting a programme with the allergen filter.....	41	19.3 Moisture sensor.....	53
14.3 Cleaning and caring for the allergen filter.....	42	19.4 Condensation container filter	54
15 Wool basket.....	43	20 Troubleshooting.....	55
15.1 Inserting the wool basket	43	21 Transportation, storage and disposal	60
15.2 Starting a programme with the wool basket.....	43	21.1 Preparing the appliance for transportation	60
15.3 Examples of how to use the wool basket	44	21.2 Disposing of old appliance ...	60
16 Home Connect	45	22 Customer Service.....	61
16.1 Setting up the Home Connect app	45	22.1 Product number (E-Nr.) and production number (FD).....	61
16.2 Setting up Home Connect.....	46	23 Technical data	61
16.3 Activating Wi-Fi on the appliance	46	24 Applicable standard	61
16.4 Deactivating Wi-Fi on the appliance	46		
16.5 Resetting the appliance network settings	46		
16.6 Remote start.....	46		
16.7 Data protection.....	47		
17 Basic settings.....	47		
17.1 Overview of the basic settings.....	47		
17.2 Changing the basic settings.....	48		
18 Appliance care	48		
18.1 Preparing for appliance care	48		
18.2 Calling up the appliance care programme.....	49		
18.3 Running the basic appliance care programme	49		
18.4 Running the intensive appliance care programme	50		
19 Cleaning and servicing.....	51		
19.1 Tips on cleaning and care	51		
19.2 Base unit	51		



1 Safety

Observe the following safety instructions.

1.1 General information



- Read this instruction manual carefully.
- Keep the instruction manual and the product information safe for future reference or for the next owner.
- Do not connect the appliance if it has been damaged in transit.

1.2 Intended use

Only use this appliance:

- For drying and freshening up fabrics that are washed with water and suitable for dryers.
- In private households and in enclosed spaces in a domestic environment.
- Up to an altitude of max. 4000 m above sea level.

1.3 Restriction on user group

This appliance may be used by children aged 8 or over and by people who have reduced physical, sensory or mental abilities or inadequate experience and/or knowledge, provided that they are supervised or have been instructed on how to use the appliance safely and have understood the resulting dangers.

Do not let children play with the appliance.

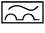
Cleaning and user maintenance must not be performed by children unless they are being supervised.

Keep children under the age of 3 years and pets away from the appliance.

1.4 Safe installation

WARNING – Risk of electric shock!

Incorrect installation is dangerous.

- ▶ Connect and operate the appliance only in accordance with the specifications on the rating plate.
- ▶ Connect the appliance to a power supply with alternating current only via a properly installed socket with earthing.
- ▶ The protective conductor system of the domestic electrical installation must be properly installed. The installation must have a sufficiently large cross section.
- ▶ When using a residual current circuit breaker, only use a type with the  mark.
- ▶ Never equip the appliance with an external switching device, e.g. a timer or remote control.
- ▶ Never connect the appliance to a circuit that is regularly switched on and off by the energy supplier.
- ▶ When the appliance is installed, the mains plug of the power cord must be freely accessible. If free access is not possible, an all-pole isolating switch must be installed in the permanent electrical installation according to the installation regulations.
- ▶ When installing the appliance, check that the power cable is not trapped or damaged.

If the insulation of the power cord is damaged, this is dangerous.

- ▶ Never let the power cord come into contact with hot appliance parts or heat sources.
- ▶ Never let the power cord come into contact with sharp points or edges.
- ▶ Never kink, crush or modify the power cord.

WARNING – Risk of fire!

It is dangerous to use an extended power cord and non-approved adapters.

- ▶ Do not use extension cables or multiple socket strips.
- ▶ If the power cord is too short and a longer one is not available, please contact an electrician to have the domestic installation adapted.

⚠ WARNING – Risk of injury!

The high weight of the appliance may result in injury when lifted.

- ▶ Do not lift the appliance on your own.

If this appliance is not correctly installed in a washer-dryer stack, the installed appliance may fall.

- ▶ Only stack the dryer on a washing machine using the connection kit from the dryer manufacturer . No other installation method is permitted.
- ▶ Do not install the appliance in a washer-dryer stack if the dryer manufacturer does not offer a suitable connection kit.
- ▶ Do not install appliances from different manufacturers and with varying depths and widths in a washer-dryer stack.
- ▶ Do not install a washer-dryer stack on a platform; the appliances may tip over.

⚠ WARNING – Risk of suffocation!

Children may put packaging material over their heads or wrap themselves up in it and suffocate.

- ▶ Keep packaging material away from children.
- ▶ Do not let children play with packaging material.

⚠ CAUTION – Risk of injury!

The appliance may vibrate or move when in use.

- ▶ Place the appliance on a clean, even, solid surface.
- ▶ Align the appliance using the appliance feet and a spirit level.

If hoses and power cords have been laid incorrectly, this causes a tripping hazard.

- ▶ Lay hoses and power cords in such a way that there is no risk of tripping.

If the appliance is moved by holding onto protruding components, such as the appliance door, the parts may break off.

- ▶ Do not move the appliance by holding onto protruding parts.

⚠ CAUTION – Risk of cutting!

Touching sharp edges on the appliance may lead to cuts.

- ▶ Do not touch the sharp edges on the appliance.

- ▶ Wear protective gloves when installing and transporting the appliance.

1.5 Safe use

⚠ WARNING – Risk of electric shock!

If the appliance or the power cord is damaged, this is dangerous.

- ▶ Never operate a damaged appliance.
- ▶ Never pull on the power cord to unplug the appliance. Always unplug the appliance at the mains.
- ▶ If the appliance or the power cord is damaged, immediately unplug the power cord or switch off the fuse in the fuse box.
- ▶ Call customer services. → *Page 61*

An ingress of moisture can cause an electric shock.

- ▶ Only use the appliance in enclosed spaces.
- ▶ Never expose the appliance to intense heat or humidity.
- ▶ Do not use steam- or high-pressure cleaners, hoses or sprays to clean the appliance.

⚠ WARNING – Risk of harm to health!

Children can lock themselves in the appliance, thereby putting their lives at risk.

- ▶ Do not install the appliance behind a door as this may obstruct the appliance door or prevent it from opening.
- ▶ With redundant appliances, unplug the power cord. Then cut through the cord and damage the lock on the appliance door beyond repair so that the appliance door will no longer close.

⚠ WARNING – Risk of suffocation!

Children may breathe in or swallow small parts, causing them to suffocate.

- ▶ Keep small parts away from children.
- ▶ Do not let children play with small parts.

⚠ WARNING – Risk of explosion!

If there is coal dust or flour in the air around the appliance, this may cause an explosion.

- ▶ Keep the area around the appliance clean during operation.

⚠ WARNING – Risk of poisoning!

Condensation water from this appliance is not suitable for drinking and may be contaminated with fluff.

- ▶ Do not drink or reuse the condensation water from the appliance.

Detergents and care products may result in poisoning if consumed.

- ▶ If accidentally swallowed, seek medical advice.
- ▶ Keep detergents and care products out of the reach of children.

⚠ WARNING – Risk of fire!

The refrigerant R290 in this appliance is environmentally friendly yet combustible and may ignite if it comes into contact with open flames or ignition sources.

- ▶ Keep naked flames and ignition sources away from the appli-



⚠ WARNING – Risk of explosion!

If there is any residual material left in the fluff filter, this may ignite during the drying process.

- ▶ Clean the fluff filter regularly.

Highly flammable objects such as lighters or matches may ignite during the drying process.

- ▶ Remove all highly flammable objects from any pockets in your laundry before the drying process.

Unwashed laundry that has come into contact with solvents, oil, wax, wax remover, paint, grease or stain remover may ignite when drying is in progress.

- ▶ Do not place laundry in this appliance to be dried if the laundry has not been washed first.
- ▶ Rinse the laundry thoroughly with warm water and detergent before drying it in the machine.
- ▶ Do not use the appliance if industrial chemicals have been used to clean the laundry beforehand.

⚠ WARNING – Risk of fire!

If drying is interrupted early, the laundry is not cooled sufficiently and may ignite.

- ▶ Do not interrupt the drying programme early.
- ▶ If drying is interrupted early, remove the laundry immediately and spread it out.

⚠ CAUTION – Risk of injury!

The covering plate may break if you stand on or climb onto the appliance.

- ▶ Do not stand on or climb onto the appliance.

The appliance may tip over if you sit on or lean against the open door.

- ▶ Do not sit on or lean against the appliance door.
- ▶ Do not place any objects on the appliance door.

Reaching into the drum while it is still turning may cause hand injuries.

- ▶ Wait for the drum to come to a complete stop before reaching inside.

⚠ CAUTION – Risk of burns!

The rear panel of the appliance becomes hot during operation.

- ▶ Do not touch the rear panel of the appliance when it is hot.
- ▶ Keep children away from the rear panel of the appliance when it is hot.
- ▶ Position the appliance with the rear panel close against a wall.


1.6 Safe cleaning and maintenance**⚠ WARNING – Risk of electric shock!**

Incorrect repairs are dangerous.

- ▶ Repairs to the appliance should only be carried out by trained specialist staff.
- ▶ Only use genuine spare parts when repairing the appliance.
- ▶ If the power cord of this appliance is damaged, it must be replaced by the manufacturer, the manufacturer's Customer Service or a similarly qualified person in order to prevent any risk.

An ingress of moisture can cause an electric shock.

- ▶ Do not use steam- or high-pressure cleaners, hoses or sprays to clean the appliance.

 WARNING – Risk of injury!

The use of non-original spare parts and non-original accessories is dangerous.

- ▶ Only use the manufacturer's original spare parts and original accessories.

 WARNING – Risk of poisoning!

Poisonous fumes may be given off if you use cleaning agents that contain solvents.

- ▶ Do not use cleaning agents that contain solvents.

2 Preventing material damage

ATTENTION!

The functionality of the appliance may be impaired if you use the wrong quantity of fabric softener, detergent, care product or cleaning agent.

- ▶ Follow the dosage recommendations from the manufacturer.

Exceeding the maximum load capacity impairs the function of the appliance.

- ▶ Observe the maximum load capacity for each programme and do not exceed it.

→ *"Programmes", Page 30*

The function of the appliance may be impaired if the appliance overheats.

- ▶ Keep the ventilation opening on the appliance clear during operation.
- ▶ Make sure that the area is adequately ventilated.

Light objects such as hair and fluff may be sucked in from the ventilation opening on the appliance during operation and impair the function of the appliance.

- ▶ Keep the area around the appliance clean during operation.
- ▶ Keep light objects away from the appliance.

Foam and foam rubber may deform or melt during the drying process.

- ▶ Do not dry laundry that contains foam or foam rubber.

Unsuitable cleaning products may damage the surfaces of the appliance.

- ▶ Do not use harsh or abrasive detergents.
- ▶ Do not use cleaning products with a high alcohol content.
- ▶ Do not use hard scouring pads or cleaning sponges.

- ▶ Clean the appliance with nothing but water and a soft, damp cloth.
- ▶ Remove all detergent residue, spray residue or other residues immediately if they come into contact with the appliance.

3 Environmental protection and saving energy

3.1 Disposing of packaging

The packaging materials are environmentally compatible and can be recycled.

- ▶ Sort the individual components by type and dispose of them separately.

3.2 Saving energy

If you follow these instructions, your appliance will use less power.

Operate the appliance in a well-ventilated room and keep the ventilation opening on the appliance clear.

- ✓ If air exchange is impeded, this extends the programme duration and increases energy consumption.

Spin the laundry in the washing machine before drying.

- ✓ Damper laundry extends the programme duration and increases energy consumption.

Observe the programme's maximum load capacity.

→ *"Programmes", Page 30*

- ✓ If the maximum load is exceeded, this extends the programme duration and increases energy consumption.

en Installation and connection

After drying, clean the fluff filter
→ *Page 37*.


- ✓ If the fluff filter is dirty, this reduces the air flow in the appliance, extends the programme duration and increases energy consumption.

Deactivate Wi-Fi on the appliance if it is not being used.

→ *"Deactivating Wi-Fi on the appliance", Page 46*

- ✓ If the Wi-Fi is activated, this increases energy consumption.

3.3 Energy saving mode

If you do not use the appliance for an extended period, it automatically switches to energy-saving mode. All displays go out and  **Start/Reload** flashes.

Energy-saving mode ends when you use the appliance again.

If you do not continue operating the appliance, it switches off.

Note: If Wi-Fi is activated, the appliance will not switch itself off automatically.

4 Installation and connection

4.1 Unpacking the appliance

ATTENTION!

Objects remaining in the drum that are not designed for operation with the appliance may cause material damage and damage to the appliance.

- ▶ Remove these objects, along with all supplied accessories, from the drum before starting the appliance.

1. Remove any packaging and protective covers completely from the appliance.
→ *"Disposing of packaging", Page 11*
2. Check the appliance for visible damage.
3. Open the door.
4. Remove any accessories from the drum.
5. Close the door.

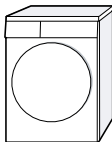

4.2 Scope of delivery



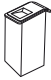

After unpacking all parts, check for any damage in transit and completeness of the delivery.

ATTENTION!

If the appliance is operated with incomplete or defective accessories, the appliance may not be able to operate properly, or this may result in material damage or damage to the appliance.

- ▶ Do not operate the appliance with incomplete or defective accessories.
- ▶ Replace the accessories in question before operating the appliance.
→ *"Accessories", Page 34*

Included with the appliance	Description
	Tumble dryer
	Accompanying documents

Included with the appliance	Description
	Allergen filter with packaging → "Allergen filter", Page 40
	Water drain hose with connection adapter, fixing material and elbow. → "Water drain hose", Page 14
	Water jug
	Wool basket with insert → "Wool basket", Page 43

4.3 Requirements for the installation location

ATTENTION!

If the appliance is tilted at an angle greater than 40°, residual water may leak out of the appliance and cause material damage.

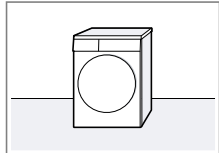
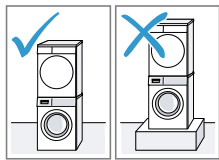
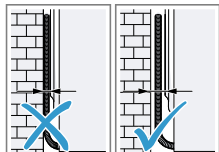
- ▶ Tilt the appliance carefully.
- ▶ Transport the appliance in an upright position.

If residual water in the appliance freezes, this may cause damage to the appliance.

- ▶ Do not install or operate this appliance anywhere that is liable to experience frost or outdoors.

If the appliance is operated immediately after transportation, the refrigerant contained in the appliance may result in damage to the appliance.

- ▶ Immediately after transporting the appliance, leave it to rest for two hours before putting it into operation.

Installation location	Requirements
On the floor 	Place the appliance on a clean, level and firm surface. Align the appliance → Page 16.
In a washer-dryer stack 	Only use the original connection set from the dryer manufacturer when setting up this appliance in a washer-dryer stack. <ul style="list-style-type: none"> ■ Connection kit with pull-out worktop → Page 34
Against a wall 	Do not trap the hoses and power cord between the wall and the appliance.

This appliance must only be stacked on a washing machine from the same manufacturer. The depth and width of this appliance must correspond with the dimensions of the washing machine. Do not place the washer-dryer stack on a platform.

4.4 Water drain hose

Condensation forms during drying, which your appliance uses for automatic cleaning. Use the water drain hose to drain away excess condensation directly into the waste water system.

Notes

- Operate this appliance using the water drain hose provided. If you connect the water drain hose → *Page 14*, you do not have to regularly empty the condensation container → *Page 39*.
- You can order this optional → *"Accessories", Page 34* from our customer service.

Connecting the water drain hose

If you do not want to regularly empty the appliance's condensation container, connect the water outlet hose.

ATTENTION!

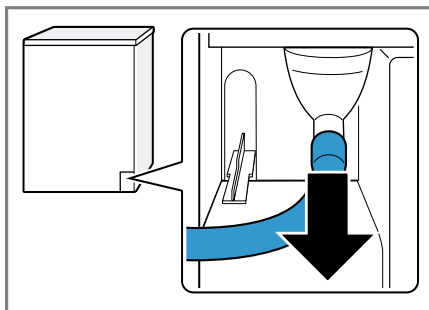
When operating the appliance without the water drain hose being connected properly, liquid may leak out of the connecting piece.

- ▶ Before operating the appliance, connect the water drain hose properly to the connecting piece.

Requirements

- The appliance and the accessory have been unpacked.
→ *"Unpacking the appliance", Page 12*
- The appliance is installed at the installation location.
→ *"Requirements for the installation location", Page 13*

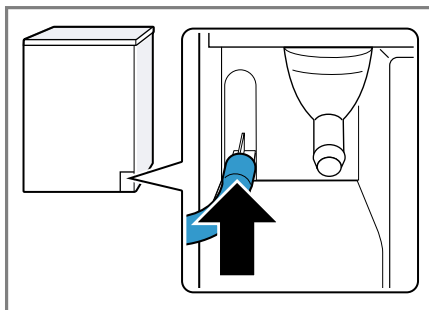
1. Pull out the condensation hose from the connecting piece.



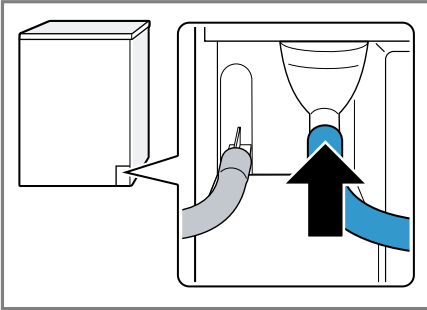
The condensation hose is connected to the connecting piece at the factory.

Note: When removing the condensation hose, liquid may leak out of the connecting piece.

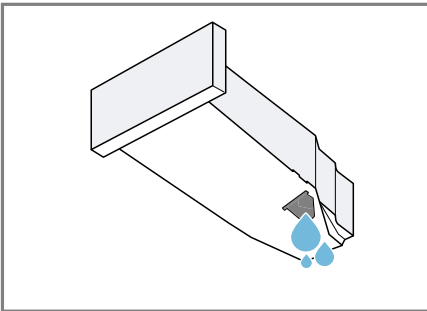
2. Push the condensation hose into the holder.



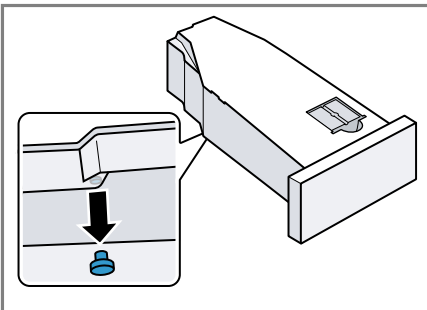
3. Push the water drain hose as far as it will go into the connecting piece.



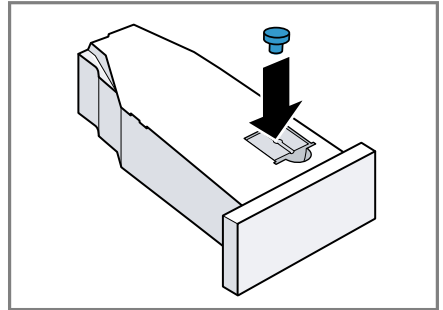
4. Empty the condensation container → Page 39.



5. Remove the stopper on the underside.



6. Insert the stopper into the recess in the top.



7. Insert the condensation container → Page 39.
8. Connect the appliance to the water outlet. → "Water outlet connection types", Page 15

Tip: To collect condensation in the condensation container again (e.g. if you change where the appliance is located), carry out these steps in reverse order.

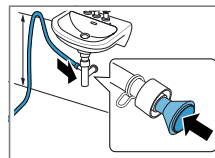
Water outlet connection types

ATTENTION!

In the event of a blocked or covered outlet, accumulated wastewater can flow back into the appliance.

- ▶ Before operating the appliance, ensure that the wastewater drains away quickly and eliminate any blockages.

Drainage into a siphon.

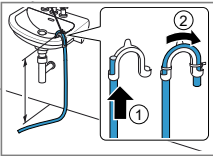


Secure the connection point with a (12-22 mm) hose clamp.

Secure the water drain hose with a hose guide at a height of at least 80 cm and no more than 100 cm.

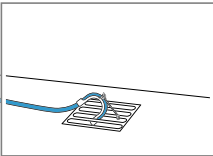
Note: You can use the Y-distributor → Page 34 to connect the water drain hose of an additional appliance, such as a washing machine, to the same siphon outlet.

Drainage into a wash basin.



Push the water drain hose fully through the and secure it using fixing material. Secure the elbow at a height of no more than 100 cm.

Drainage into a gully.

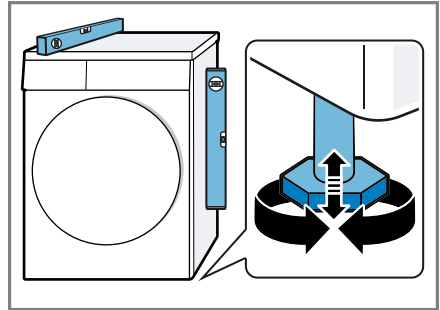


Push the water drain hose fully through the and secure it using fixing material. Secure the elbow to the gully.

4.5 Aligning the appliance

In order to reduce vibrations and noises, align the appliance correctly.

- ▶ To align the appliance, turn the appliance feet. Check that the appliance is level using a spirit level.



All appliance feet must stand firmly on the ground.

4.6 Reversing the door

To make it easier to place and remove laundry in the drum, you can change the side on which the door is hinged.

Notes

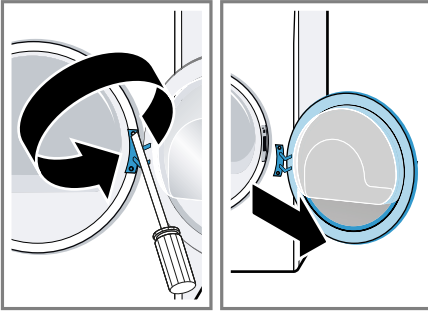
- Only use a Torx T20 screwdriver to remove and insert screws.
- To prevent material damage, lay the removed door on a level and soft surface.

Removing the door

Requirement: The appliance is disconnected from the mains.

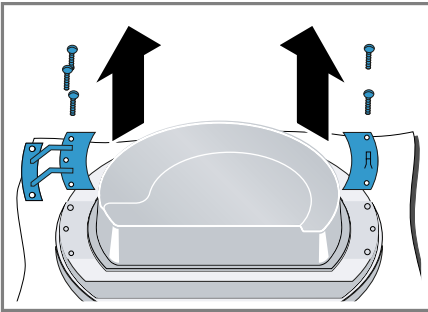
1. Open the door.

2. Unscrew the door.

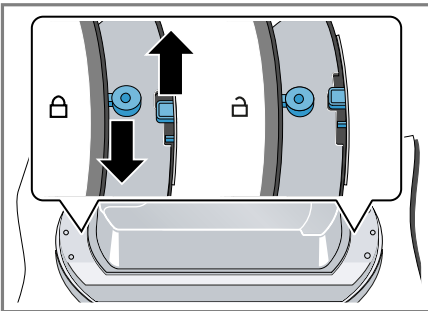


Changing the door hinge and door hook

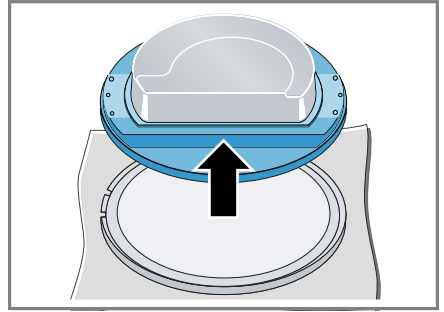
1. Unscrew the door hinge and the door hook.



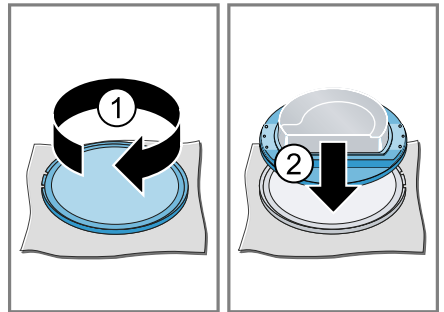
2. Unlock the door ring.



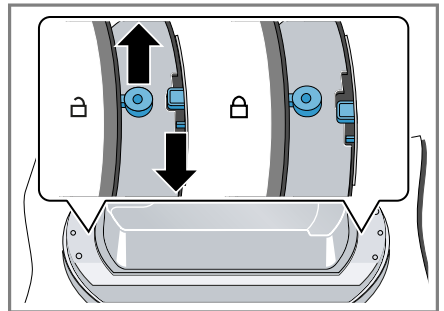
3. Lift the door out of the door ring.



4. Turn the door ring by 180° ① and insert the door into the door ring ②

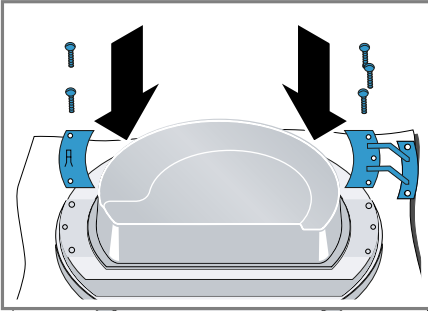


5. Lock the door ring.

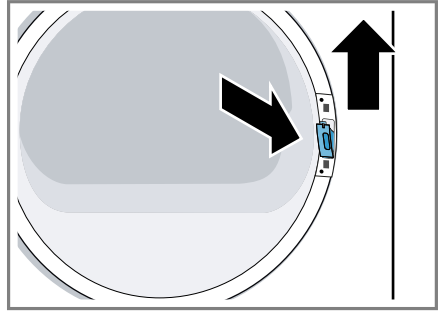


en Installation and connection

6. Screw on the door hinge and the door hook.

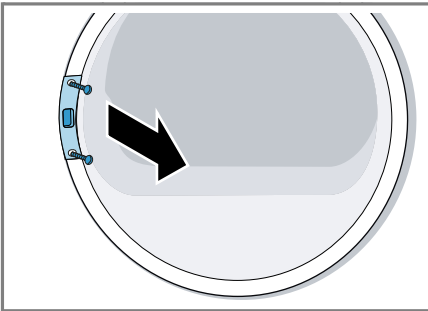


3. Insert the door lock on the opposite side.

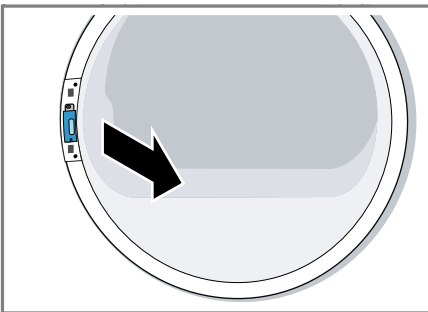


Changing the door lock

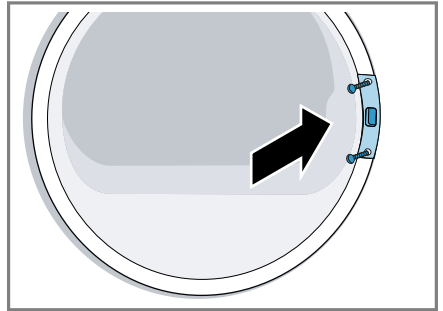
1. Unscrew the door lock cover.



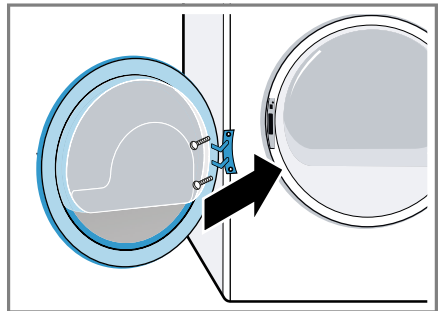
2. Remove the door lock.



4. Screw on the door lock cover.



5. Screw on the door.



4.7 Connecting the appliance to the electricity supply

1. Insert the mains plug of the appliance's power cable in a socket nearby.

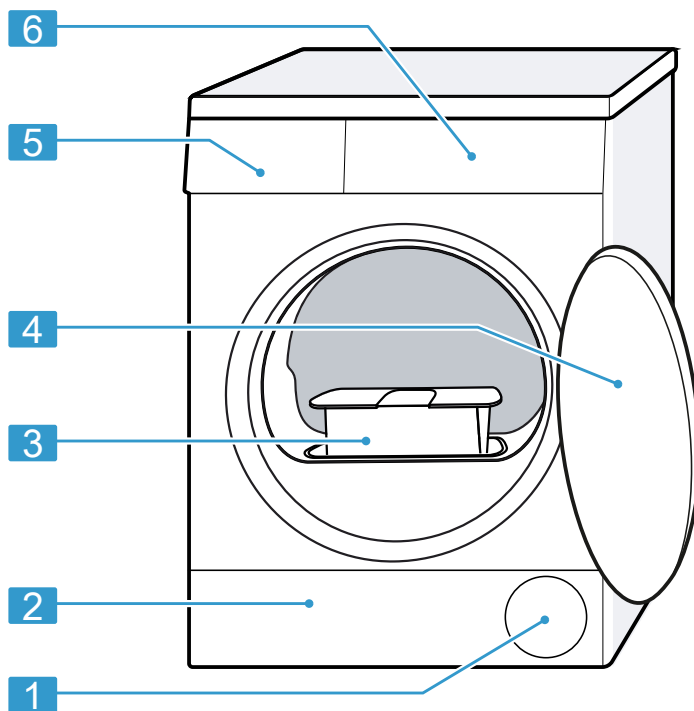
The connection details of the appliance can be found under Technical data → *Page 61*.

2. Check the mains plug is inserted properly.

5 Familiarising yourself with your appliance

5.1 Appliance

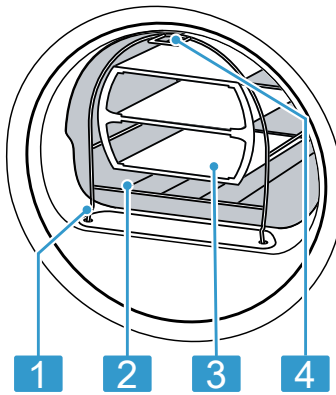
You can find an overview of the parts of your appliance here.



On certain models, specific details such as the colour and shape may differ from those pictured.

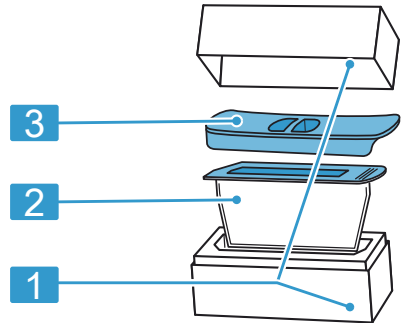
1	Ventilation opening
2	Maintenance flap on the base unit → <i>Page 51</i>
3	Fluff filter → <i>Page 37</i>
4	Door
5	Condensation container → <i>Page 38</i>
6	Control panel → <i>Page 21</i>

5.2 Wool basket



- | | |
|---|------------------------------|
| 1 | Securing foot |
| 2 | Wool basket |
| 3 | Insert |
| 4 | Tab for securing in the hook |

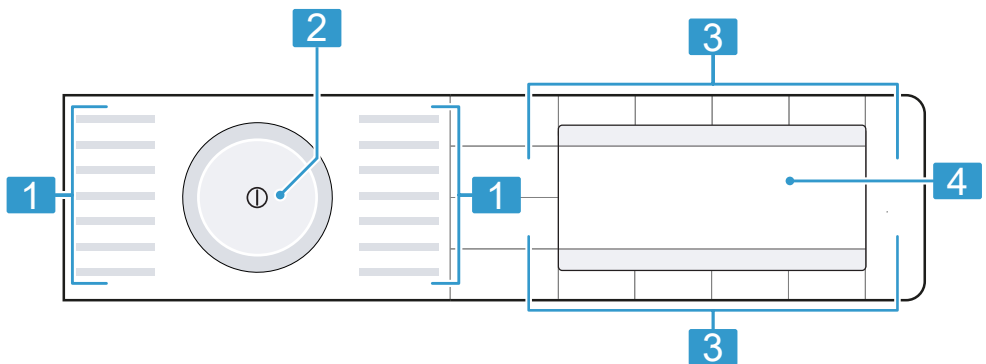
5.3 Allergen filter



- | | |
|---|-----------------------|
| 1 | Packaging for storage |
| 2 | Filter bag |
| 3 | Filter cover |

5.4 Control panel

You can use the control panel to configure all functions of your appliance and to obtain information about the operating status.



- | | |
|---|----------------------|
| 1 | Programmes → Page 30 |
|---|----------------------|

2 Programme selector
→ Page 35

3 Buttons → Page 26

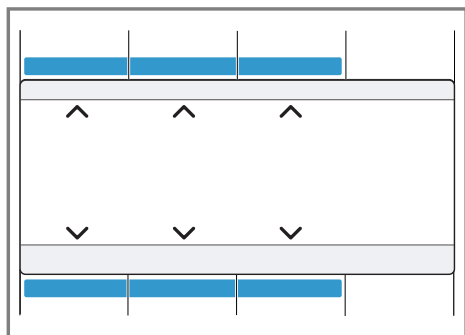
4 Display → Page 23

5.5 Operating logic

In addition to the actual functions of the buttons on the display, you can also use these buttons to select programme settings in the main menu and settings in the sub-menus.

Main menu

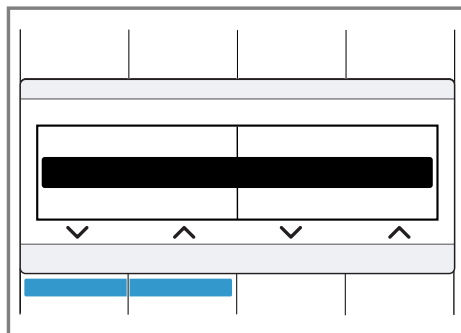
To select programme settings, press the buttons above or below the symbols.



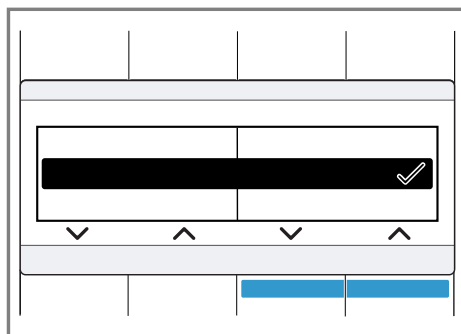
The selected programme setting is shown in the middle of the display.

Sub-menu

To select the settings you require, press the buttons below the symbols until the required setting is selected in the display.



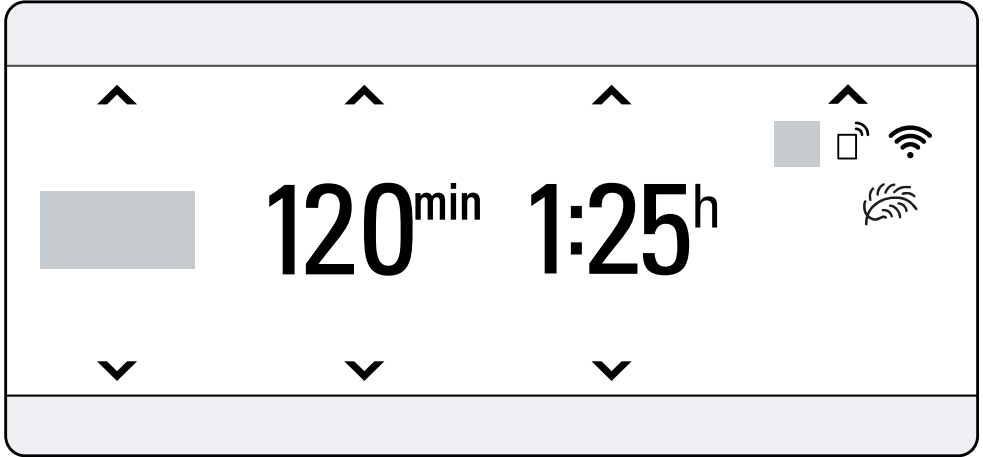
To select the settings you require, press the buttons below the symbols until the required setting is selected in the display.







If a setting is activated, the display shows ✓. The selection does not need to be confirmed again. The sub-menu closes automatically after a few seconds.

6 Display







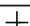
The display shows the current settings, options or relevant information.



Example: Display

Display	Designation	Description
0:40 ¹	Programme duration/programme time remaining	Expected programme duration or programme time remaining in hours and minutes.
20 min	Timed programme	The timed programme is set. → "Timed programmes", Page 32
0:45h ¹	Programme end time	→ "Buttons", Page 28
 Iron Dry	Dryness level: Iron Dry	The dryness level is activated. → "Buttons", Page 27
 Cupboard Dry	Dryness level: Cupboard Dry	The dryness level is activated. → "Buttons", Page 27
 Cupboard Dry Plus	Dryness level: Cupboard Dry Plus	The dryness level is activated. → "Buttons", Page 27
	Dryness level adjusted	The adjusted dryness level is activated. → "Dryness level", Page 29

¹ Example

Display	Designation	Description
120 min	Crease-reduction function	The crease-reduction function is activated. → <i>"Buttons", Page 27</i>
	Gentle drying	Gentle drying is activated for delicate fabrics.
	Washing machine spin speed	The spin speed in rpm that is set on the washing machine is activated.
Please empty condensate container.	Condensation container	Empty the condensation container → <i>Page 39</i> . Insert the condensation container → <i>Page 39</i> .
Please clean lint filter.	Fluff filter	Clean the fluff filter → <i>Page 37</i> .
Basic machine care required.	Basic appliance care programme	Run the basic appliance care programme. → <i>"Appliance care", Page 48</i>
Cooling	Cooling process	The laundry is cooled while the drum is rotating, in order to avoid damage to the laundry. The process can be cancelled by opening the door. Note: Do not change the programme.
Selfcleaning	Automatic self-cleaning	The automatic self-cleaning function rinses the appliance's heat exchanger. Note: Do not remove the condensation container and do not interrupt the programme.
	Wi-Fi	<ul style="list-style-type: none"> ■ Lights up: The appliance is connected to your home network. ■ Flashes: The appliance is trying to connect to your home network. → <i>"Home Connect", Page 45</i>
	Wi-Fi	The appliance is not connected to your home network. → <i>"Home Connect", Page 45</i>
 Remote Start	Remote start	Remote start is activated. → <i>"Buttons", Page 28</i>
	Navigation	Selecting settings. → <i>"Operating logic", Page 22</i>
	Other programme settings	Activate, deactivate or adjust other programme settings. → <i>"Buttons", Page 26</i>

¹ Example




Display	Designation	Description
Pause	Pause	Programme status
Finished, re- move washing	End of pro- gramme	Programme status




¹ Example

7 Buttons

Below is an overview of the buttons and their setting options.

With the **Options** button, you can open the sub-menu for additional programme settings. The additional programme settings are listed in the overview for the buttons.




Button	Selection	Description
 Start/Reload	<ul style="list-style-type: none"> ■ Start ■ Cancel ■ Pause 	Start, cancel or pause the programme.
 (mains switch)	<ul style="list-style-type: none"> ■ Switch on ■ Switch off 	Switch the appliance on or off.
Child Lock  3 sec.	<ul style="list-style-type: none"> ■ Activate ■ Deactivate 	Activate or deactivate the childproof lock. Disable the control panel to prevent unwanted or accidental operation. If the childproof lock is activated and the appliance has been switched off, the childproof lock remains activated. → "Childproof lock", Page 40
Options	Multiple selection	Activate additional programme settings. → "Adjusting additional programme settings", Page 35 The additional programme settings can be found in this overview.
Basic Settings 3 sec.	Multiple selection	→ "Basic settings", Page 47

Button	Selection	Description
Memory 1	<ul style="list-style-type: none"> ■ Save ■ Adjust 	<p>Press the button for approx. 3 seconds to save your customised programme settings. → "Saving the programme settings", Page 36</p> <p>Briefly press the button to set customised programme settings for your programme.</p>
Memory 2	<ul style="list-style-type: none"> ■ Save ■ Adjust 	<p>Press the button for approx. 3 seconds to save your customised programme settings. → "Saving the programme settings", Page 36</p> <p>Briefly press the button to set customised programme settings for your programme.</p>
Drying Level ☀ ◀	<ul style="list-style-type: none"> ■  Iron Dry ■  Cupboard Dry ■  Cupboard Dry Plus 	<p>The dryness level defines how damp or dry the laundry is after the programme ends. → "Dryness level", Page 29</p>
Anti-Wrinkle ☺	<ul style="list-style-type: none"> ■ Activate ■ Deactivate 	<p>Activate or deactivate the crease-reduction function.</p> <p>Once the programme has ended, the drum moves the laundry at regular intervals for 120 minutes to prevent creasing.</p>

Button	Selection	Description
Finish in	Up to 24 hours	Set the programme end time. The programme duration is already included in the set number of hours. Once the programme has started, the programme duration is displayed.
☐ Remote Start	<ul style="list-style-type: none">■ Activate■ Deactivate■ Open the Home Connect menu	→ <i>"Remote start"</i> , <i>Page 46</i>


8 Dryness level

Each automatic programme has a specified dryness level. The dryness level defines how dry or damp your laundry is after the programme ends.

Dryness level	Laundry	Drying result
 Cupboard Dry Plus	Multi-layered, thick laundry that does not dry readily.	The laundry is dry.
 Cupboard Dry	Normal, single-layered laundry.	The laundry is dry.
 Iron Dry	Normal, single-layered laundry.	The laundry is still slightly damp. To prevent creasing after drying, iron the laundry or hang it up.

8.1 Changing the dryness level

For some automatic programmes, you can change the dryness level so that your laundry will be drier or more damp.

1. Set an automatic programme.
→ "Automatic programmes",
Page 30
- ✓ The display shows the specified dryness level.
2. Press **Drying Level**  .
- ✓ The display shows:  **Cupboard Dry Plus** ,  **Cupboard Dry** or  **Iron Dry**

Note: If you change this setting, the change is retained even after the appliance is switched off.

8.2 Adjusting the dryness level

If the laundry feels too damp after it has been dried to a particular dryness level, you can adjust the dryness level.

1. Set an automatic programme.
→ "Automatic programmes",
Page 30
- ✓ The display shows the specified dryness level.
2. Press **Options** .
3. Select "Adjust dryness level".

Note: If you change this setting, the change is retained even after the appliance is switched off.

9 Programmes

You can dry your fabrics using either an automatic programme or a timed programme.

9.1 Automatic programmes

Automatic programmes are programmes in which humidity sensors measure the residual moisture in the laundry during the drying cycle. The programme only ends once the set dryness level is reached.

Each automatic programme has a dryness level → *Page 29*. The dryness level defines how dry or damp the laundry is after the programme ends.

Tips

- Select the dryness level according to the type of fabric or the desired drying result.
→ *"Dryness level", Page 29*
- The laundry's care labels provide you with additional information about programme selection.

Programme	Description	Max. load (kg)
Cottons	Dry hard-wearing, heat-resistant fabrics made of cotton or linen.	9.0
Synthetic	Dry items made of synthetic materials or blended fabrics.	3.5
Mix	Dry items made of cotton and synthetics.	3.0
Uniforms	Polo shirts, skirts and trousers made of cotton and synthetics. Note: A school uniform consisting of a polo shirt and trousers or skirt corresponds to the maximum load capacity for the programme.	1.0
Delicates	Dry delicate items made of satin, synthetics or blended fabrics.	2.0
Dessous	Dry delicate underwear made of lace, Lycra, satin or blended fabrics.	2.0
Down	Dry clothing, bedspreads or eiderdowns stuffed with down. Notes <ul style="list-style-type: none"> ■ Dry large items of laundry, such as blankets or sleeping bags, separately. ■ Once the programme has ended, shake the items of laundry to distribute the stuffing and eliminate any pockets of moisture. 	1.5

Programme	Description	Max. load (kg)
	<ul style="list-style-type: none"> ■ If you dry the pillows and the pillows are not completely dry at the end of the programme, dry the pillows with a timed programme. → "<i>Timed programmes</i>", Page 32 	
Hygiene	<p>Dry hard-wearing, heat-resistant fabrics made of cotton or linen.</p> <p>Note: Particularly suitable for strict hygiene requirements.</p>	4.0
Baby Care	<p>Dry hard-wearing, heat-resistant baby and children's clothing that is made of cotton or linen.</p> <p>Also suitable for hygienically treating dry hard-wearing and heat-resistant children and baby clothing that is made of cotton and linen.</p> <p>Note: Particularly suitable for strict hygiene requirements.</p>	4.0
Outdoor+	<p>Dry weatherproof and outdoor clothing with a membrane coating and water-repellent fabrics.</p>	1.5
shirts/blouses	<p>Suitable for shirts and blouses made of cotton, linen, synthetics or blended fabrics.</p> <p>Note: For optimal drying results, dry a maximum of 5 shirts or 5 blouses at the same time.</p> <p>Once the laundry is dry, iron it or hang it up. The residual moisture is then distributed evenly.</p>	1.5
Towels	<p>Dry hard-wearing, heat-resistant towels and dressing gowns made of cotton or linen.</p>	6.0
Additional Programs	<p>Set additional programmes.</p> <p>The additional programmes can be found in this programme overview.</p> <p>The selectable programme settings depend on the selected programme.</p>	–

9.2 Timed programmes

Timed programmes are programmes with a defined or adjustable programme duration. The programme ends once this time has elapsed, even if the laundry is still not dry, for example. Timed programmes are suitable for drying individual items of laundry or thin fabrics.

Tip: The laundry's care labels provide you with additional information about programme selection.

Programme	Description	Max. load (kg)
Wool Finish	Dry machine-washable items made of wool or containing wool. Note: The laundry becomes fluffier but not dry. Remove laundry once the programme has ended and allow it to dry.	0.5
Wool in Basket	Dry items made of wool or containing wool. Note: Dry these items only using the wool basket. → "Wool basket", Page 43	One item of laundry
Time Program Cold	Dry all types of fabric except for wool and silk. Also suitable for freshening up or airing clothing that has hardly been worn. Note: To remove allergens, use the allergen filter. → "Allergen filter", Page 40	3.0
Time Program Warm	Dry all types of fabric except for wool and silk. Suitable for pre-dried or slightly damp laundry and for drying off multi-layered, thick laundry.	3.0
Min. Load 40'	Dry all types of fabric except for wool and silk. Suitable for pre-dried or slightly damp laundry and for drying off multi-layered, thick laundry. The programme duration is 40 minutes.	3.0

Programme	Description	Max. load (kg)
Silk Quilt	<p>Warm dry cotton blankets with silk filling or reduce the moisture of cotton blankets with silk filling. Suitable for fabrics that are slightly damp due to the change in season or because they have been stored for a long time.</p> <p>Notes</p> <ul style="list-style-type: none"> ■ The laundry is not dried, only heated. ■ If you have problems placing a large blanket into the drum, fold the blanket first. 	10.0
Anti-Mites	<p>Kill off mites in dry blankets or dry pillows made of cotton or linen. The programme duration is 90 minutes.</p> <p>Note: In order to kill all mites, do not use the programme at ambient temperatures of less than 21 °C.</p>	3.0
Additional Programs	<p>Set additional programmes. The additional programmes can be found in this programme overview. The selectable programme settings depend on the selected programme.</p>	–

10 Accessories

Use original accessories. These have been made especially for your appliance.

Note: Some accessories are available in other colours. Contact → "Customer Service", Page 61.

	Use	Order number
Connection kit with pull-out worktop	To save space, stack the appliance on a suitable washing machine of the same width and depth and that is from the same manufacturer. The pull-out worktop makes it easier to load and unload the appliance.	WTZ2742W
Wool basket	Dry or air individual woollen items, sports shoes and soft toys.	WMZ20600
Y-distributor	Connect the water drain hose of an additional appliance to the same siphon outlet.	15000490
Appliance care product	Spare part for the intensive appliance care function.	00311829
Filter bag	Spare part for the allergen filter for removing allergens when airing laundry.	WTZPFRK
Allergen filter	Allergen filter for removing allergens when airing laundry.	WTZPFSK

11 Laundry

11.1 Preparing the laundry

ATTENTION!

Objects remaining in the laundry may damage the laundry and the drum.

- ▶ Remove all items from any pockets in your laundry before using the appliance.

Note

The appliance and fabrics are protected when you prepare your laundry.

- Brush off sand and soil
- Sort the laundry according to colour and textiles and observe the care labels
- Close all zips, Velcro fasteners, hooks and eyes
- Remove curtain fittings and lead strips
- Wash small or particularly delicate items in a mesh washing bag
- Load the laundry unfolded into the drum
- Spin the laundry before drying
- Dry woollen items, sports shoes and soft toys in the wool basket
→ *"Wool basket", Page 43*

12 Basic operation

12.1 Switching on the appliance

Requirement: The appliance has been correctly installed and connected.

→ *"Installation and connection", Page 12*

- ▶ Press ①.

The switch-on process takes a few seconds.

12.2 Setting a programme

1. Turn the programme selector and set the required programme.
→ *"Programmes", Page 30*
2. If required, adjust the programme settings.
→ *"Adjusting the programme settings", Page 35*

12.3 Adjusting the programme settings

Depending on the programme and programme progress, you can adjust or activate/deactivate the settings.

Requirement: A programme is set.
→ *"Setting a programme", Page 35*

- ▶ Adjust the programme settings.
→ *"Buttons", Page 26*

Observe the information about operating logic → *Page 22*.

Note: The programme settings are not saved permanently for the programme.

Adjusting additional programme settings

1. Press **Options** to call up additional programme settings.
2. Select the programme settings.
3. Press **Options** to call up the main menu.

12.4 Saving the programme settings

You can save your individual programme settings as favourites.

Requirements

- A programme is set.
- The programme settings have been adjusted.
- ▶ Press and hold **Memory 1** or **Memory 2** for approx. 3 seconds. Press **Memory 1** or **Memory 2** to call up the saved programme.

Note: To overwrite the saved programme, repeat the steps above.

12.5 Loading laundry


Note: To prevent creasing, note the maximum load for the programmes. → *"Programmes", Page 30*

Requirements

- The laundry is prepared and sorted. → *"Laundry", Page 35*
 - The drum is empty.
1. Open the door.
 2. Place the laundry in the drum.
 3. Close the door.
Ensure that there is no laundry trapped in the door.

12.6 Starting the programme

Requirement: A programme is set. → *"Setting a programme", Page 35*

- ▶ Press  **Start/Reload** .
- ✓ The display shows the programme duration or the programme end time.


Note: If "Cooling " appears, the appliance cools the laundry. When "Cooling " goes out, the laundry has cooled down.

12.7 Adding laundry


After the programme starts, you can remove or add laundry at any time.

1. Press  **Start/Reload** .

The cooling process starts automatically after approximately 30 seconds and cools down the laundry while the drum is rotating. If you want to avoid or cancel the cooling process, open the door. → *"Display", Page 24*

2. Open the door.
3. Add or remove laundry.
4. Close the door.
5. Press  **Start/Reload** .

12.8 Cancelling the programme

1. Press  **Start/Reload** .
2. Open the door.
3. Remove the laundry. → *"Unloading the laundry", Page 36*

12.9 Unloading the laundry

1. Open the door.
2. Remove the laundry from the drum.

12.10 Switching off the appliance

- ▶ Press  .

12.11 Fluff filter

During drying, fluff from the laundry is collected in the fluff filter. The fluff filter protects the appliance from fluff.

Cleaning the fluff filter

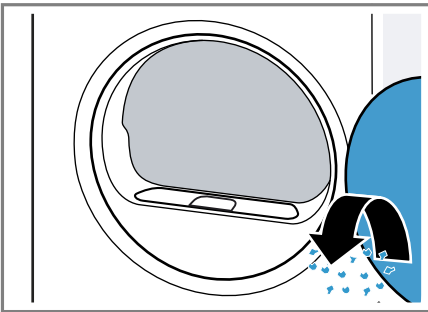
If the drying programme has finished or the display shows a notification while the appliance is in operation, clean the fluff filter.

Note: If you do not clean the appliance as described, the appliance's functionality may be impaired.

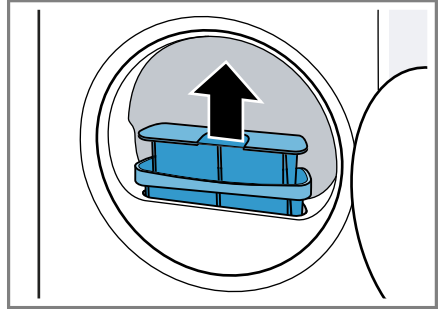
Requirements

- The display shows the following after drying: "Finished, remove washing"
- or the display shows the following during operation: "Please clean lint filter."

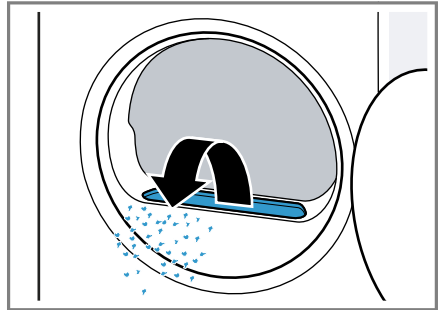
1. Open the door.
2. Remove the fluff from the door.



3. Remove the two-part fluff filter.

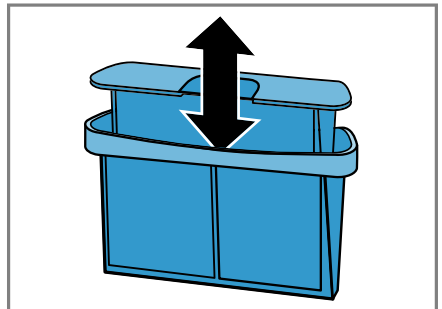


4. Remove the fluff from the recess.



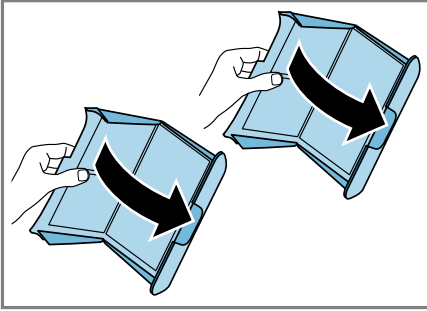
Ensure that no fluff falls into the air channel.

5. Disconnect the two-part fluff filter.

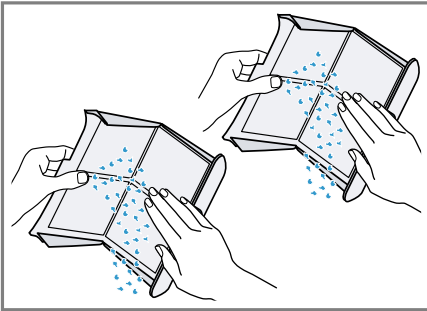


en operation

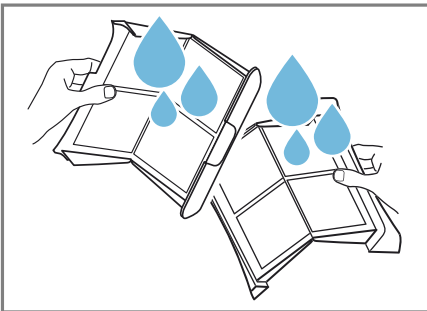
6. Open the two fluff filters.



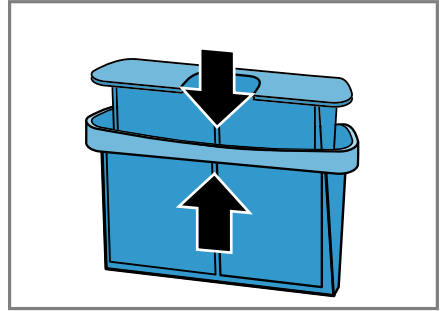
7. Remove the fluff.



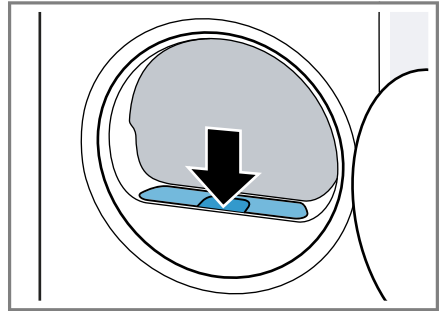
8. Clean the two fluff filters thoroughly under warm, running water and then dry them off.



9. Close the two fluff filters and put them together.



10. Insert the two-part fluff filter.



11. Close the door.

12.12 Condensation container

Condensation forms during drying, which your appliance uses for automatic cleaning. By default, the condensation is collected in the appliance's condensation container.

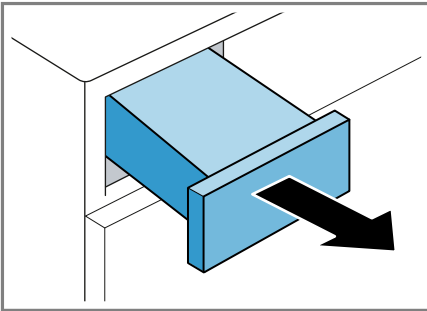
Note: Operate this appliance using the water drain hose provided. If you connect the water drain hose → *Page 14*, you do not have to regularly empty the condensation container → *Page 39*.

Emptying the condensation container

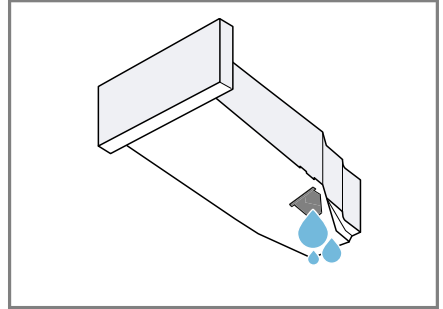
If the drying programme has finished or the display shows a notification while the appliance is in operation, empty the condensation container.

Requirements

- The display shows the following after drying: "Finished, remove washing"
 - or the display shows the following during operation: "Please empty condensate container." .
1. Pull out the condensation container, keeping it level.



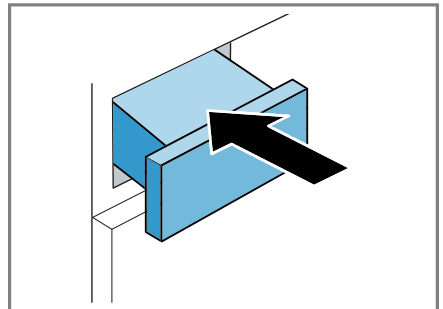
2. Empty the condensation container.



Check the condensation container filter → *Page 54* regularly and clean the filter if it is dirty. Make sure that you insert the condensation container before operating the appliance.
→ *"Inserting the condensation container", Page 39*

Inserting the condensation container


- ▶ Push the condensation container in as far as it will go.



13 Childproof lock


Secure your appliance against being operated unintentionally using the controls.

13.1 Activating the childproof lock

- ▶ Press and hold the two **Child Lock**  **3 sec.** buttons for approx. 3 seconds.
- ✓ The control elements are locked.
- ✓ The childproof lock remains active even after the appliance has been switched off and in the event of a power cut.

13.2 Deactivating the childproof lock

Requirement: To deactivate the childproof lock, the appliance must be switched on.

- ▶ Press and hold the two **Child Lock**  **3 sec.** buttons for approx. 3 seconds.

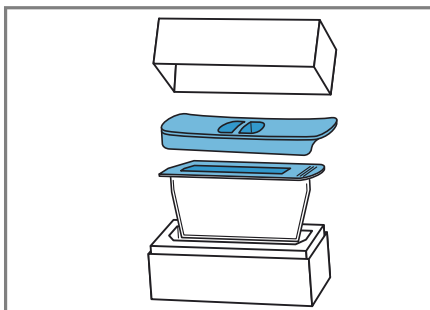
14 Allergen filter

The allergen filter removes allergens such as pollen and animal hair when the laundry is aired. Use the allergen filter if you have strict hygiene requirements.

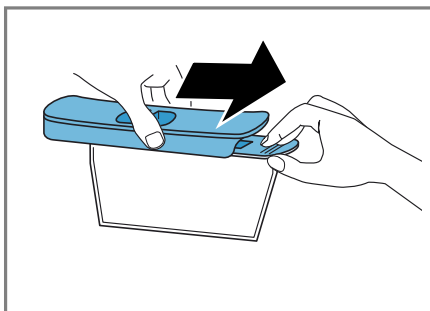
Note: You can order this optional → "Accessories", Page 34 from our customer service.

14.1 Inserting the allergen filter

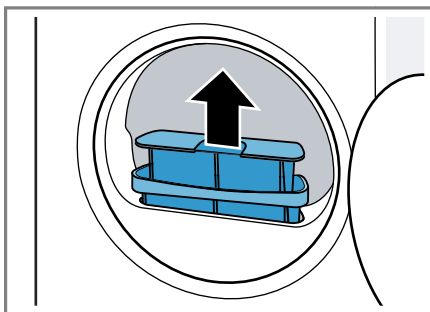
1. Take the accessories out of the packaging.



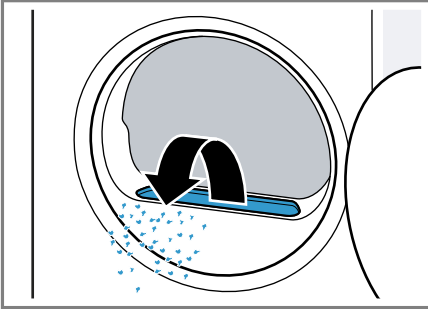
2. Slide the filter cover onto the filter bag.



3. Open the door.
4. Remove the two-part fluff filter.

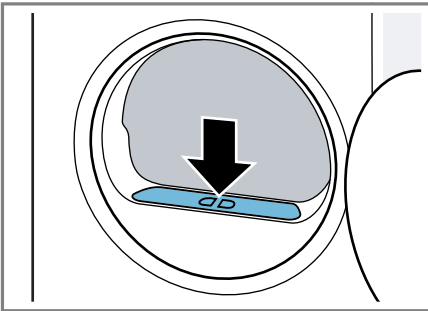


5. Remove the fluff from the recess.



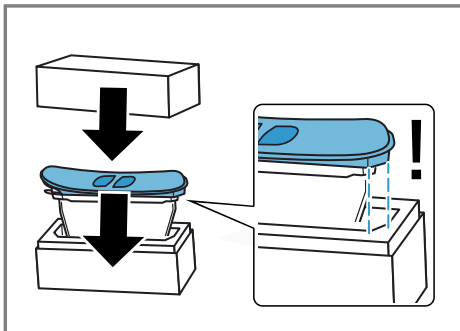
Ensure that no fluff falls into the air channel.

6. Insert the allergen filter.



Note

If you remove the fluff filter or the allergen filter from the appliance, keep it stored in the supplied packaging.

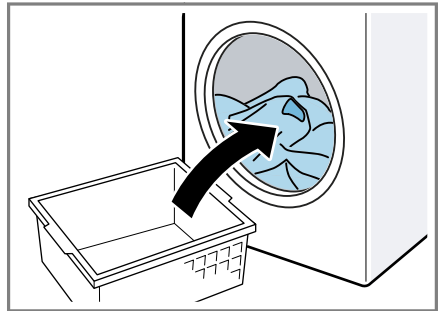


14.2 Starting a programme with the allergen filter

Note: The allergen filter is only suitable for airing laundry. If you want to dry your laundry, remove the allergen filter from the appliance and insert the fluff filter → *Page 37* before drying.

Requirements

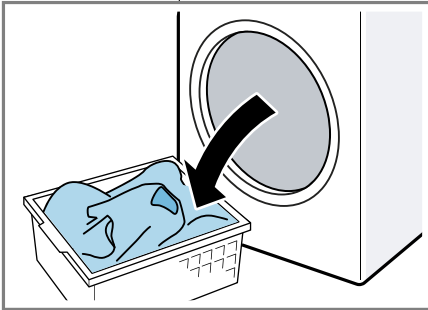
- The laundry is prepared.
→ *"Preparing the laundry", Page 35*
 - The laundry is sorted.
 - The allergen filter has been inserted.
→ *"Inserting the allergen filter", Page 40*
1. Load the dry laundry unfolded into the drum.



2. Set a programme to air the laundry.
→ *"Timed programmes", Page 32*
 3. Start the programme → *Page 36*.
- ✓ After the programme has ended, the display shows: "Finished, remove washing" .

en Allergen filter

4. The
→ "Unloading the laundry",
Page 36.

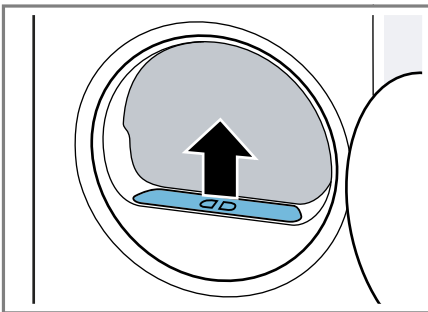


Change the filter bag for the allergen filter regularly.
→ "Cleaning and caring for the allergen filter", Page 42

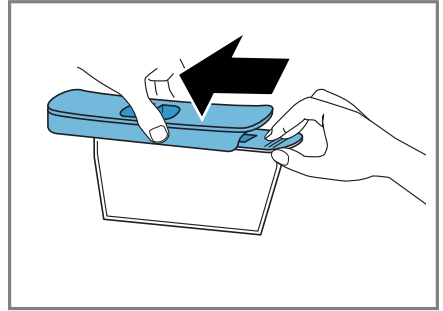
14.3 Cleaning and caring for the allergen filter

If the filter bag is dirty, it will be less effective at removing allergens. Change the filter bag for the allergen filter regularly, after approximately 10 uses.

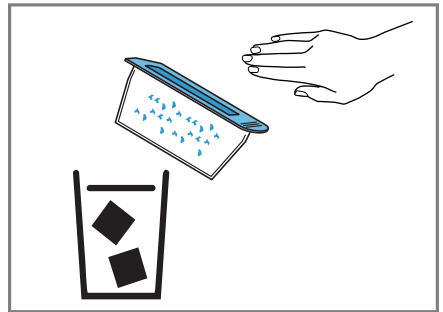
1. Open the door.
2. Remove the allergen filter.



3. Pull the filter cover from the filter bag.

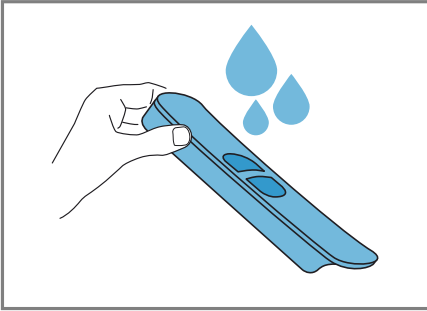


4. Dispose of the filter bag with your household waste.



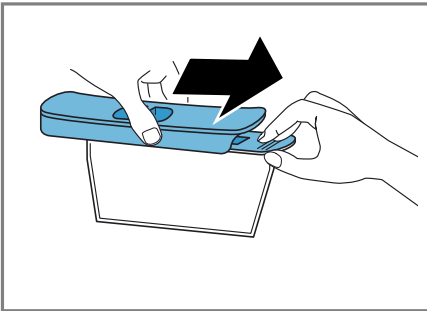
The filter bag is manufactured from environmentally friendly materials. You can order the
→ "Accessories", Page 34 as a spare part from the customer service.
Do not use any cleaned filter bags.

- Clean the filter cover under warm, running water or in the dishwasher.



Do not dispose of the filter cover. Use the filter cover for a new filter bag.

- Slide the filter cover onto the new filter bag.



Before operating the appliance, ensure that the fluff filter → *Page 37* is inserted for drying or the allergen filter → *Page 40* is inserted for airing.

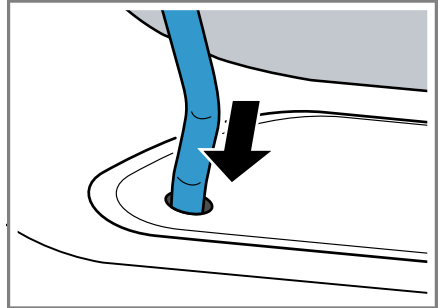
15 Wool basket

Use the wool basket to gently dry delicate fabrics, soft toys or sports shoes in a stationary position.

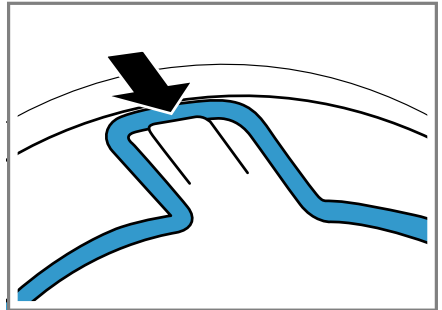
Note: You can order this optional → "Accessories", *Page 34* from our customer service.

15.1 Inserting the wool basket

- Open the door.
Make sure that the drum is empty.
- Insert the feet of the wool basket into the holes in the fluff filter.



- Insert the tab on the front of the wool basket into the upper hooks.



15.2 Starting a programme with the wool basket

ATTENTION!

If items of laundry in the wool basket touch the rotating drum or the ribs of the drum, the laundry may cause material damage and damage to the appliance.

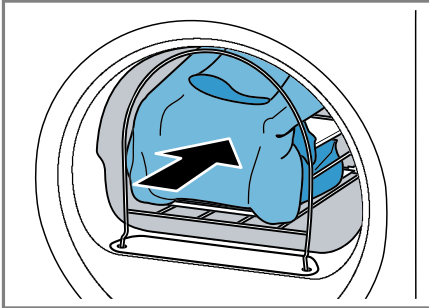
- Place the items of laundry in the insert or wool basket such that they do not touch the drum or the ribs of the drum.

Requirement: The wool basket is inserted into the appliance.

→ "Inserting the wool basket", Page 43

- Place the laundry into the wool basket, either directly or using the insert.

→ "Examples of how to use the wool basket", Page 44



- Close the door.
- Set the programme for the wool basket or a timed programme.
- If necessary, adjust the duration of the timed programme.

Observe the recommended programme duration for items of laundry in the wool basket:

Laundry item	Programme duration in hours:minutes
Thin woollen pullover	Approx. 1:20
Thick woollen pullover	Approx. 1:30 - 3:00
Skirt	Approx. 1:00 - 1:30
Trousers	Approx. 1:00 - 1:30
Gloves	Approx. 0:30
Sports shoes	Approx. 1:30/ max. 2:00 with airing

Tip: Increase the programme duration for thick or multi-layered items of laundry.

- Start the programme → Page 36.
- Remove the wool basket once the programme has ended.

15.3 Examples of how to use the wool basket

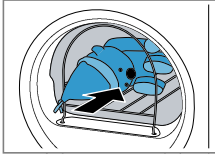
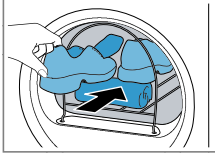
ATTENTION!

If items of laundry in the wool basket touch the rotating drum or the ribs of the drum, the laundry may cause material damage and damage to the appliance.

- Place the items of laundry in the insert or wool basket such that they do not touch the drum or the ribs of the drum.

Example	Use
<p>Trousers or skirt</p>	<p>Place the items of laundry unfolded into the insert.</p> <p>Note: Spin the laundry before drying.</p>
<p>Pullover</p>	

Example	Use
Sports shoes	<p>Lift the tongues of the shoes. Remove the in-soles or heel cushions. Place a rolled-up hand towel in the wool basket to create an inclined surface. Place the shoes on the towel with the heels facing down.</p> <p>Note: Do not use the insert. Do not dry leather shoes or shoes with leather parts.</p>
Soft toys	<p>Place the soft toy in the wool basket.</p> <p>Note: Do not use the insert. If you place numerous or small soft toys in the wool basket, make sure they do not fall out.</p>



16 Home Connect

This appliance is network-capable. Connecting your appliance to a mobile device lets you control its functions via the Home Connect app, adjust its basic settings and monitor its operating status.

Note: You can find further information in the digital instruction manual by scanning the QR code in the table of contents or on www.bosch-home.cn.

The Home Connect services are not available in every country. The availability of the Home Connect function depends on the availability of Home Connect services in your country. You can find information about this at: www.home-connect.cn.

The Home Connect app guides you through the entire login process. Follow the instructions in the Home Connect app to configure the settings.

Tips

- Please consult the documents supplied by Home Connect.
- Please also follow the instructions in the Home Connect app.

Notes

- Please note the safety precautions in this instruction manual and make sure that they are also observed when operating the appliance via the Home Connect app. → "Safety", Page 4
- Operating the appliance on the appliance itself always takes priority. During this time it is not possible to operate the appliance using the Home Connect app.

16.1 Setting up the Home Connect app

1. Install the Home Connect app on your mobile device.



2. Start the Home Connect app and set up access for Home Connect.

The Home Connect app guides you through the entire login process.

You can also use Home Connect via the WeChat mini programme.

16.2 Setting up Home Connect

Requirements

- The Home Connect app has been installed on your mobile device.
 - Wi-Fi has been activated on the router.
 - The appliance is receiving signals from the WLAN home network (Wi-Fi) at its installation location.
1. Use the Home Connect app to scan the QR code.




If you use Home Connect via the WeChat mini programme, skip this step.

2. Follow the instructions in the Home Connect app.


16.3 Activating Wi-Fi on the appliance

Note: When Wi-Fi is activated, the energy consumption increases in comparison to the values specified in the consumption value table.

1. Press and hold  **Remote Start** for approx. 3 seconds.
 2. Select **Wi-Fi on/off Wi-Fi** .
 3. Select **on** .
- ✓ Wi-Fi is activated.

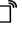
Note: If Wi-Fi is activated, the appliance will not switch itself off automatically.

16.4 Deactivating Wi-Fi on the appliance

1. Press and hold  **Remote Start** for at least 3 seconds.
 2. Select **Wi-Fi on/off Wi-Fi** .
 3. Select **off** .
- ✓ Wi-Fi is deactivated

Note: The connection is automatically re-established when the Wi-Fi is switched back on.

16.5 Resetting the appliance network settings



1. Press and hold  **Remote Start** for at least 3 seconds.
 2. Select **Network settings** .
 3. Select **Reset** .
- ✓ The network settings are reset.

16.6 Remote start

Enable the appliance for remote start via the Home Connect app.



Note

Remote start is deactivated for safety reasons in the following circumstances:

- The appliance door is opened.
-  **Start/Reload** is pressed.
-  **Remote Start** is pressed.
- The appliance is switched off.
- Following a power cut.

Activating remote start

Requirements

- The appliance is connected to your home WiFi network.
 - The appliance is connected to the Home Connect app.
 - A programme is selected.
 - The appliance door is closed.
- ▶ Press  **Remote Start** .
- ✓  **Remote Start** lights up and the appliance is enabled for remote start via the Home Connect app.

Deactivating remote start

- ▶ Press  **Remote Start** .
- ✓  **Remote Start** goes out.

16.7 Data protection

Please see the information on data protection.

The first time your appliance is registered on a home network connected to the Internet, your appliance will transmit the following types of data to the Home Connect server (initial registration):

- Unique appliance identification (consisting of appliance codes as well as the MAC address of the Wi-Fi communication module installed).
- Security certificate of the Wi-Fi communication module (to ensure a secure data connection).
- The current software and hardware version of your appliance.
- Status of any previous reset to factory settings.

This initial registration prepares the Home Connect functions for use and is only required when you want to use the Home Connect functions for the first time.

Note: Please note that the Home Connect functions can only be utilised with the Home Connect app. Information on data protection can be retrieved in the Home Connect app.

17 Basic settings

You can configure the basic settings for your appliance to meet your needs.

17.1 Overview of the basic settings

Basic setting	Description
end signal	Volume of the signal emitted when the programme ends
button signal	Volume of the signal emitted when the buttons are pressed
Auto Power Off	<ul style="list-style-type: none"> ■ Time period until automatic switch-off ■ Activate or deactivate automatic switch-off of the appliance
Language	Changing the language
Aut. network login	Connect the appliance to a WLAN home network (Wi-Fi) with WPS function. → "Setting up Home Connect", Page 46

Basic setting	Description
Man. network log-in.	Connect the appliance to a WLAN home network (Wi-Fi) without WPS function. → "Setting up Home Connect", Page 46
Connect to the app	Connect your appliance to the Home Connect app. → "Setting up Home Connect", Page 46
Wi-Fi on/off Wi-Fi	Activate or deactivate Wi-Fi. → "Activating Wi-Fi on the appliance", Page 46 → "Deactivating Wi-Fi on the appliance", Page 46
Network settings	Reset the network settings. → "Resetting the appliance network settings", Page 46
Software update	Install the software update → "Home Connect", Page 45

17.2 Changing the basic settings

1. To call up the basic settings for the sub-menu, press and hold both buttons **Basic Settings 3 sec.** for approx. 3 seconds.

2. Select the required basic setting.
→ "Overview of the basic settings", Page 47
3. Adjust the basic setting.
4. Press **Basic Settings 3 sec.** to call up the main menu.

18 Appliance care

The appliance offers cleaning programmes for basic and intensive appliance care.

18.1 Preparing for appliance care

Preparing the appliance for the appliance care programme

Prepare the appliance before running the appliance care programme.

Requirements

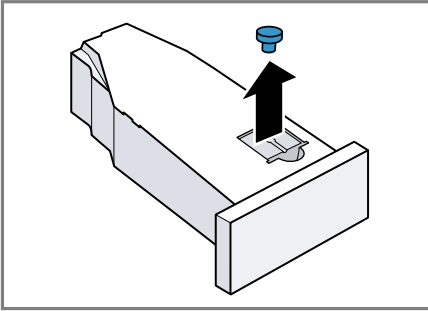
- The drum is empty.
- The appliance is switched off.

1. Clean the fluff filter.
→ "Cleaning the fluff filter", Page 37
2. Pull out the condensation container horizontally and empty it.
→ "Emptying the condensation container", Page 39

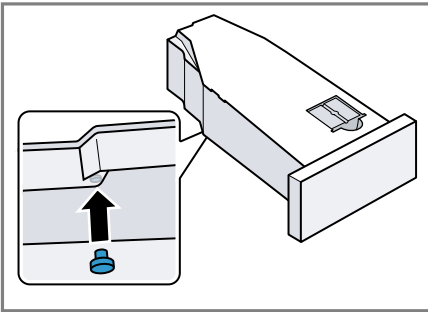
Preparing the condensation container for the appliance care programme

If you are draining the condensation water from the appliance using the drain hose, prepare the condensation container before running the appliance care programme.

1. Remove the stopper from the recess in the top.



2. Insert the stopper on the underside.



3. Clean the filter in the condensation container.

18.2 Calling up the appliance care programme

Requirement: The appliance care programme is ready.
→ "Preparing for appliance care", Page 48

1. Press **ⓘ**.
The switch-on process takes a few seconds.
2. Press and hold **Basic Settings 3 sec.** for approx. 3 seconds.
3. Press the required cleaning programme:
 - Basic appliance care programme

- Intensive appliance care programme

18.3 Running the basic appliance care programme

To remove any dirt deposits in the appliance, you can run the basic appliance care programme.

Notes

- The basic appliance care programme runs for approximately 1 hour.
- After a lengthy period of use, the appliance reminds you to run the basic appliance care programme. Before the programme starts or after the programme has ended, the display shows the message "Basic machine care required.". This message appears repeatedly until you have run the basic appliance care programme through to the end.

Requirements

- The appliance care programme is ready.
→ "Preparing for appliance care", Page 48
 - The simple appliance care programme is now called up.
→ "Calling up the appliance care programme", Page 49
1. Pour approx. 1.5 litres of hot tap water into the condensation container.
Hold the filled condensation container level so that no liquid spills out.
 2. Insert the condensation container so that it locks into place.
 3. Press **▷||| Start/Reload**.
 - ✓ The appliance care programme starts and a signal tone sounds.

en Appliance care

- ✓ "Finished, remove washing" appears on the display and a signal tone sounds once the appliance care programme has ended.
- 4. Pull out the condensation container horizontally and empty it.
→ *"Emptying the condensation container", Page 39*
- 5. If you are draining the condensation water using the drain hose:
 - Remove the stopper from the underside of the condensation container.
 - Insert the stopper into the recess on the top of the condensation container.
- 6. Insert the condensation container so that it locks into place.

18.4 Running the intensive appliance care programme

You can run the intensive appliance care programme to remove any stubborn dirt deposits in the appliance and odours after a downtime of more than one month.

Notes

- The intensive appliance care programme runs for approximately 4 hours and must not be cancelled.
- When you run the intensive appliance care programme, you need the original appliance care product.
→ *"Accessories", Page 34*

WARNING **Risk of injury!**

The use of non-original spare parts and non-original accessories is dangerous.

- ▶ Only use the manufacturer's original spare parts and original accessories.

Starting the intensive appliance care programme


Requirements

- The appliance care programme is ready.
→ *"Preparing for appliance care", Page 48*
- The intensive appliance care programme is called up.
→ *"Calling up the appliance care programme", Page 49*

1. **ATTENTION!** The functionality of the appliance may be impaired if you use the wrong quantity of fabric softener, detergent, care product or cleaning agent.
- ▶ Follow the dosage recommendations from the manufacturer.

Pour a bottle of the appliance care product and approx. 1.5 litres of hot tap water into the condensation container.

Hold the filled condensation container level so that no liquid spills out.

2. Insert the condensation container so that it locks into place.
3. Press  **Start/Reload** .
 - ✓ The appliance care programme starts and a signal tone sounds.
 - ✓ After approx. 3 hours, the appliance pauses the appliance care programme and a message appears on the display informing you that the first part of the appliance care has been carried out.
4. Pull out the condensation container horizontally and empty it.
5. Pour approx. 1.5 litres of hot tap water into the condensation container.
6. Carefully swing the condensation container horizontally and empty it to rinse out any remaining appliance care product.

Continuing the intensive appliance care programme

1. Pour approx. 1.5 litres of hot tap water into the condensation container.
Hold the filled condensation container level so that no liquid spills out.
2. Insert the condensation container so that it locks into place.
3. Press **▷** **Start/Reload** .
 - ✓ The appliance care programme continues.
 - ✓ "Finished, remove washing" appears on the display and a signal tone sounds once the appliance care programme has ended.
4. Pull out the condensation container horizontally and empty it.
5. If you are draining the condensation water using the drain hose:
 - Remove the stopper from the underside of the condensation container.
 - Insert the stopper into the recess on the top of the condensation container.
6. Insert the condensation container so that it locks into place.

19 Cleaning and servicing

To keep your appliance working efficiently for a long time, it is important to clean and maintain it carefully.

19.1 Tips on cleaning and care

Wipe down the housing and the controls with nothing but water and a damp cloth.	This ensures the parts of the appliance will remain clean and hygienic.
Remove all detergent residue, spray residue or other residues immediately.	Fresh deposits are easier to remove without leaving any residue.
Leave the appliance door open after use.	This allows the residual water to dry, reducing odours in the appliance.

19.2 Base unit

The base unit is the accessible area at the bottom of the appliance in which you will find the heat exchanger.

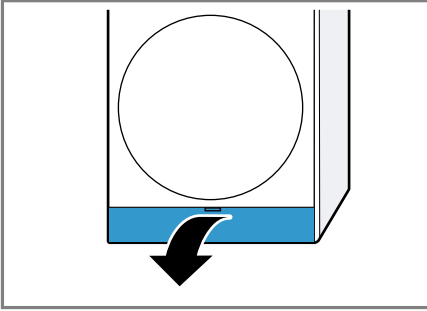
Opening the base unit

Requirements

- The appliance has cooled down for 30 minutes.
- The appliance door is closed.

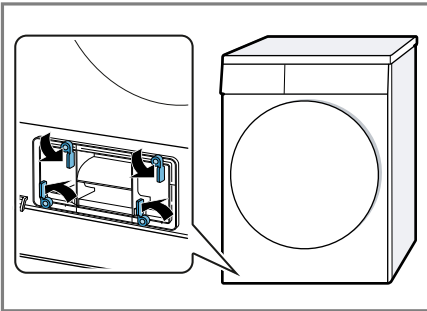
en Cleaning and servicing

1. Open the maintenance flap.

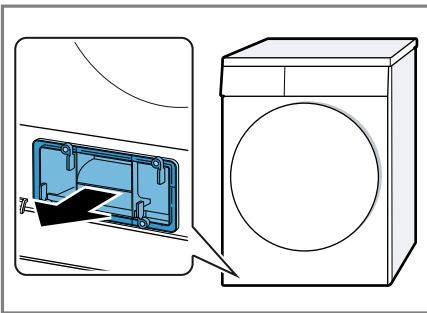


If you place a cloth beneath the maintenance flap, you can collect the remaining water from the base unit.

2. Open the lever for the heat exchanger cover.



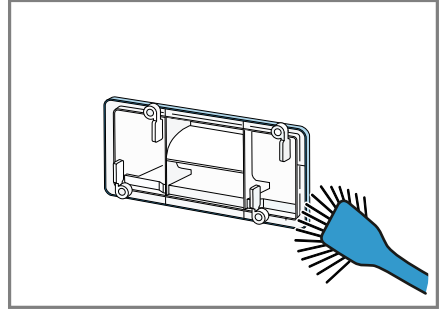
3. Pull out the heat exchanger cover by the handle.



Cleaning the base unit

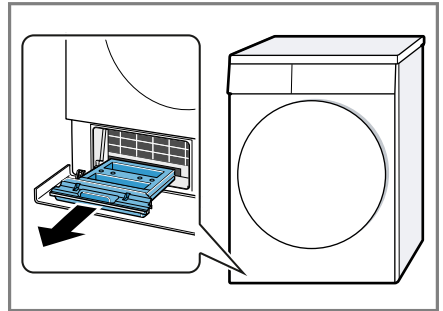
You can remove any visible dirt in the base unit.

1. Open the base unit → *Page 51*.
2. Use a soft brush to clean the heat exchanger cover.

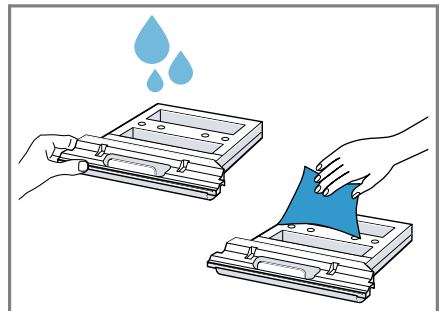


Make sure that you remove all dirt from the seal.

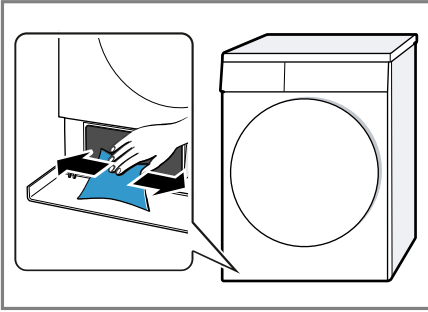
3. Pull the insert out horizontally.



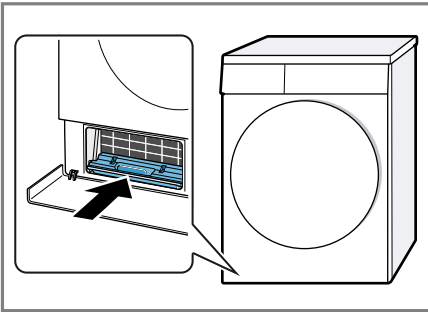
4. Clean the insert under running water and dry it off.



5. Clean the opening with a soft, damp cloth.



6. Slide the insert in horizontally as far as it will go.

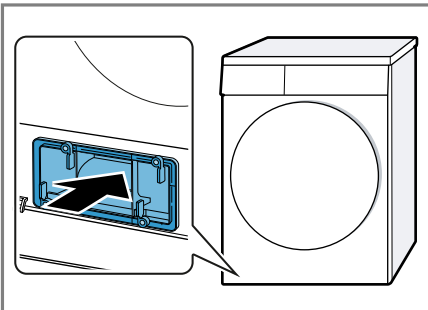


7. Close the base unit → Page 53.

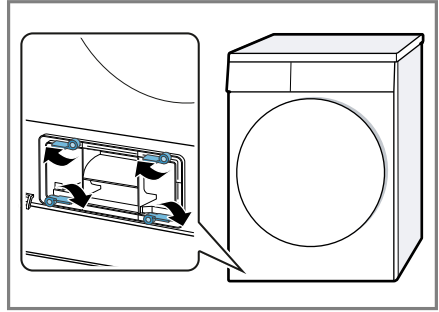
Closing the base unit

Requirement: The base unit is open.
→ "Opening the base unit", Page 51

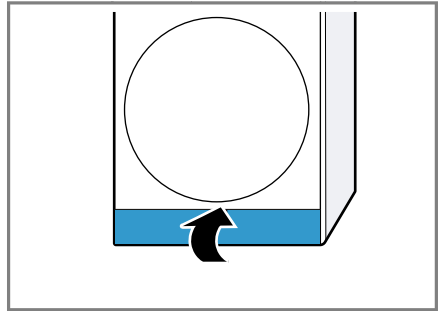
1. Insert the heat exchanger cover by the handle.



2. Close the lever for the heat exchanger.



3. Close the maintenance flap.



19.3 Moisture sensor

The moisture sensor in this appliance measures how damp the laundry is during the drying cycle. The appliance changes the duration of the automatic programme depending on the residual moisture in the laundry.

Cleaning the moisture sensor

Over time, residue from limescale, detergents and care products can build up on the moisture sensor. Clean the moisture sensor regularly.

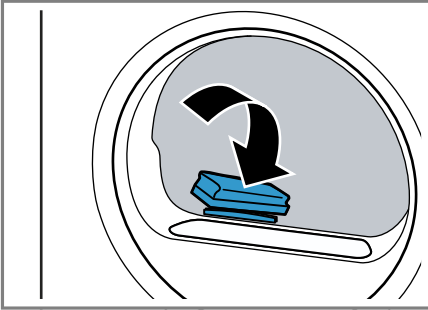
ATTENTION!

Hard or rough objects may damage the moisture sensor.

- ▶ Do not use hard or rough objects, abrasive cleaning products or steel wool for cleaning.

Note: If you do not clean the appliance as described, the appliance's functionality may be impaired.

1. Open the door.
2. Clean the moisture sensor with a sponge.



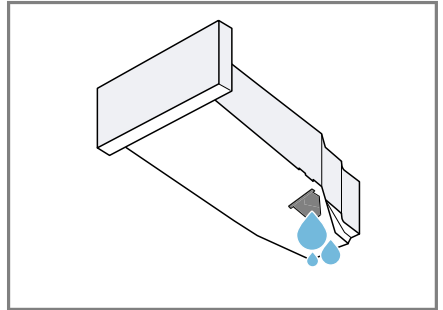
19.4 Condensation container filter

During drying, fluff from the laundry gets into the condensation. The filter in the condensation container protects the appliance from fluff.

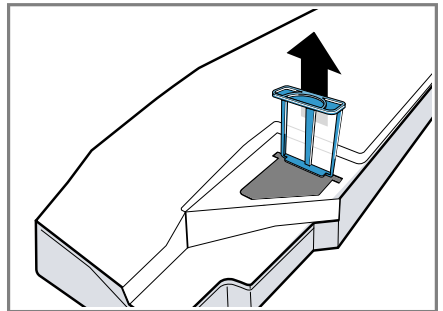
Clean the filter for the condensation tank.

The filter is cleaned automatically when the condensation container is emptied. Check the filter regularly and clean the filter if it is dirty.

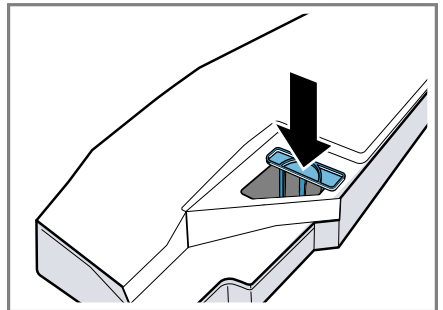
1. Empty the condensation container.
→ *"Emptying the condensation container", Page 39*



2. Remove the filter.



3. Clean the filter under warm, running water or in the dishwasher.
4. Slide in the filter as far as it will go.



5. Insert the condensation container.
→ *"Inserting the condensation container", Page 39*

20 Troubleshooting

You can rectify minor faults on your appliance yourself. Read the troubleshooting information before contacting after-sales service. This will avoid unnecessary costs.

WARNING



Risk of electric shock!

Incorrect repairs are dangerous.

- ▶ Repairs to the appliance should only be carried out by trained specialist staff.
- ▶ Only use genuine spare parts when repairing the appliance.
- ▶ If the power cord of this appliance is damaged, it must be replaced by the manufacturer, the manufacturer's Customer Service or a similarly qualified person in order to prevent any risk.

Fault	Cause and troubleshooting
"Cooling " and the drum rotates.	Cooling process active. 1. Not a fault. 2. Do not change the programme during the cooling process. Note: The cooling process takes up to 10 minutes. You can continue to operate the appliance.
Humming noise.	Compressor active. ▶ Not a fault – normal operating noise.
"Basic machine care required. "	After a period of operation, the appliance automatically recommends that you run the basic appliance care programme. ▶ Running the basic appliance care programme on the appliance. → "Appliance care", Page 48
"Please clean lint filter."	Fluff filter is soiled. ▶ → "Cleaning the fluff filter", Page 37 The allergen filter is dirty. ▶ → "Cleaning and caring for the allergen filter", Page 42.
The appliance is not working.	The mains plug of the power cord is not plugged in. ▶ Connect the appliance to the power supply. The circuit breaker in the fuse box has tripped. ▶ Check the circuit breaker in the fuse box. There has been a power cut. ▶ Check whether the lighting in your kitchen or other appliances are working.

Fault	Cause and troubleshooting
Appliance paused, but the drum is rotating.	Cooling process active. ▶ Not a fault – no action required.
Home Connect is not working properly.	Different causes are possible. ▶ Go to www.home-connect.cn .
No connection to the home network.	Wi-Fi is switched off. ▶ Activating Wi-Fi on the appliance. → <i>"Activating Wi-Fi on the appliance", Page 46.</i>
	Wi-Fi is activated but a connection to your home network cannot be established. 1. Ensure that the home network is available. 2. Reconnect the appliance to the home network. → <i>"Setting up Home Connect", Page 46</i>
Creasing.	The load is too large. ▶ Observe the maximum load capacity of the → <i>"Programmes", Page 30.</i>
	The laundry lies in the drum for too long after drying. 1. Remove the laundry from the drum as soon as the drying programme has finished. 2. Spread the items of laundry for cooling.
	Unsuitable programme for the type of fabric. ▶ Set the suitable programme for the type of fabric. → <i>"Programmes", Page 30</i>
	Easy-Care fabrics are dried for too long. ▶ → <i>"Changing the dryness level", Page 29.</i> ▶ → <i>"Adjusting the dryness level", Page 29.</i>
	Anti-Crease not activated. ▶ Activate the Anti-Crease function. → <i>"Buttons", Page 27</i>
	"Please empty condensate container." and programme terminated.
	Water drain hose is caught or jammed. 1. Ensure that the water drain hose is not kinked or trapped. 2. Route the water drain hose without kinks.
	Water drain hose is not connected correctly. ▶ Ensure that the water drain hose is connected correctly. → <i>"Connecting the water drain hose", Page 14</i>

Fault	Cause and troubleshooting
"Please empty condensate container." and programme terminated.	<p>Water drain hose is blocked.</p> <ul style="list-style-type: none"> ▶ Rinse the water drain hose with tap water. <hr/> <p>The filter for the condensation tank is soiled.</p> <ul style="list-style-type: none"> ▶ → <i>"Clean the filter for the condensation tank.", Page 54.</i> <hr/> <p>Foreign object is located in the base unit</p> <ol style="list-style-type: none"> 1. → <i>"Opening the base unit", Page 51.</i> 2. Remove the foreign objects that are present. 3. → <i>"Closing the base unit", Page 53.</i> <hr/> <p>Dirt in the appliance.</p> <ul style="list-style-type: none"> ▶ Run the intensive appliance care programme. → <i>"Appliance care", Page 48</i>
Condensation in the condensation tank even though the water drain hose is connected.	<p>The appliance uses condensation for the automatic self-cleaning.</p> <ul style="list-style-type: none"> ▶ Not a fault – no action required. <hr/> <p>Water drain hose is not connected correctly.</p> <ul style="list-style-type: none"> ▶ Ensure that the water drain hose is connected correctly. → <i>"Connecting the water drain hose", Page 14</i>
The programme does not start.	<p>Childproof lock is activated.</p> <ul style="list-style-type: none"> ▶ → <i>"Deactivating the childproof lock", Page 40</i> <hr/> <p>You have not pressed  Start/Reload .</p> <ul style="list-style-type: none"> ▶ Press  Start/Reload . <hr/> <p>No programme set.</p> <ol style="list-style-type: none"> 1. → <i>"Setting a programme", Page 35.</i> 2. → <i>"Starting the programme", Page 36.</i>
The length of the programme changes during the drying cycle.	<p>The programme operation is optimised electronically. This may change the programme duration.</p> <ul style="list-style-type: none"> ▶ Not a fault – no action required.
Pumping noise.	<p>Condensation pump active.</p> <ul style="list-style-type: none"> ▶ Not a fault – normal operating noise.
Buzzing noise.	<p>Compressor ventilation active.</p> <ul style="list-style-type: none"> ▶ Not a fault – normal operating noise.
The drying time is too long.	<p>Fluff filter is soiled.</p> <ul style="list-style-type: none"> ▶ → <i>"Cleaning the fluff filter", Page 37</i> <hr/> <p>The ambient temperature is greater than 30 °C.</p> <ul style="list-style-type: none"> ▶ Ensure that the ambient temperature is lower than 30 °C. <hr/> <p>The ambient temperature is lower than 15 °C.</p>

Fault	Cause and troubleshooting	
The drying time is too long.	<ul style="list-style-type: none"> ▶ Ensure that the ambient temperature is above 15 °C. 	
	<p>Insufficient air circulation at the appliance's installation location.</p>	
	<ul style="list-style-type: none"> ▶ Ventilate the appliance's installation location. 	
	<p>The appliance's ventilation opening is blocked.</p> <ul style="list-style-type: none"> ▶ Ensure that the ventilation opening of the appliance is kept clear. 	
"Selfcleaning "	<p>Heat exchanger is soiled.</p> <ul style="list-style-type: none"> ▶ Running the basic appliance care programme on the appliance. → <i>"Appliance care", Page 48</i> 	
	<p>Automatic self-cleaning function rinses the appliance's heat exchanger.</p>	
	<ol style="list-style-type: none"> 1. Not a fault. 2. Do not pull out the condensation tank. 3. Do not cancel the programme. 	
	Water is leaking from the appliance.	<p>Appliance is not correctly aligned.</p> <ul style="list-style-type: none"> ▶ → <i>"Aligning the appliance", Page 16</i>
<p>The seal for the heat exchanger cover is dirty.</p> <ul style="list-style-type: none"> ▶ Clean the seal for the heat exchanger cover. → <i>"Cleaning the base unit", Page 52</i> 		
<p>Water drain hose is not connected correctly.</p> <ul style="list-style-type: none"> ▶ Ensure that the water drain hose is connected correctly. → <i>"Connecting the water drain hose", Page 14</i> 		
<p>The lever for the heat exchanger cover is not closed correctly.</p> <ul style="list-style-type: none"> ▶ Ensure that the lever for the heat exchanger cover is closed correctly. → <i>"Closing the base unit", Page 53</i> 		
The laundry is too damp.		<p>Unsuitable programme for the type of fabric.</p> <ul style="list-style-type: none"> ▶ Set a timed programme for the subsequent drying. → <i>"Programmes", Page 30</i>
		<p>There has been a power cut.</p> <ul style="list-style-type: none"> ▶ Check whether the lighting in your kitchen or other appliances are working.
	<p>The load is too large.</p> <ul style="list-style-type: none"> ▶ Observe the maximum load capacity of the → <i>"Programmes", Page 30.</i> 	

Fault	Cause and troubleshooting
The laundry is too damp.	<p>After the end of the programme, warm laundry feels damper than it actually is.</p> <ol style="list-style-type: none"> 1. Remove the laundry from the drum as soon as the drying programme has finished. 2. Spread the items of laundry for cooling.
	<p>Unsuitable dryness level set.</p> <ul style="list-style-type: none"> ▶ → <i>"Changing the dryness level"</i>, Page 29.
	<p>Drying target not adjusted.</p> <ul style="list-style-type: none"> ▶ → <i>"Adjusting the dryness level"</i>, Page 29.
	<p>Load too small.</p> <ul style="list-style-type: none"> ▶ Set a timed programme for the subsequent drying. → <i>"Programmes"</i>, Page 30
	<p>Moisture sensor dirty.</p> <ul style="list-style-type: none"> ▶ → <i>"Cleaning the moisture sensor"</i>, Page 53.
	<p>The drying process is interrupted and the condensation tank has been filled.</p> <ol style="list-style-type: none"> 1. → <i>"Emptying the condensation container"</i>, Page 39. 2. → <i>"Inserting the condensation container"</i>, Page 39. 3. → <i>"Starting the programme"</i>, Page 36.
Odours have formed in the appliance.	<p>Stubborn dirt in the appliance or an extended appliance downtime of more than one month.</p> <ul style="list-style-type: none"> ▶ Run the intensive appliance care programme. → <i>"Appliance care"</i>, Page 48

21 Transportation, storage and disposal

21.1 Preparing the appliance for transportation

ATTENTION!

If the appliance is operated immediately after transportation, the refrigerant contained in the appliance may result in damage to the appliance.

- ▶ Immediately after transporting the appliance, leave it to rest for two hours before putting it into operation.

Tip: The appliance may contain residual water, which may drip out of it when transported. The appliance should be transported upright.

Requirements

- The condensation container is emptied. Emptying the condensation container → *Page 39*
 - The appliance has been switched on.
→ *"Switching on the appliance", Page 35*
1. Set any programme → *Page 35*.
 2. Start the programme → *Page 36* and wait 5 minutes.
 - ✓ The condensation is drained.
 3. Switch off the appliance.
→ *"Switching off the appliance", Page 36*
 4. Remove the water drain hose from the connection point.
→ *"Water outlet connection types", Page 15*
 5. Secure the water drain hose on the appliance against unintentional loosening.
Ensure that you do not bend the water drain hose.

6. Empty the condensation container
→ *Page 39*.
7. Insert the condensation container
→ *Page 39*.
8. Disconnect the appliance's mains plug from the power supply.
 - ✓ The appliance is now ready to be transported.

21.2 Disposing of old appliance

Valuable raw materials can be re-used by recycling.

WARNING **Risk of harm to health!**

Children can lock themselves in the appliance, thereby putting their lives at risk.

- ▶ Do not install the appliance behind a door as this may obstruct the appliance door or prevent it from opening.
- ▶ With redundant appliances, unplug the power cord. Then cut through the cord and damage the lock on the appliance door beyond repair so that the appliance door will no longer close.

WARNING **Risk of fire!**

The refrigerant R290 used in this appliance is environmentally friendly. It is however flammable and may ignite if appliances are not disposed of properly.

- ▶ Dispose of the appliance properly.
 - ▶ Do not damage the tubing of the refrigerant circuit.
1. Unplug the appliance from the mains.
 2. Cut through the power cord.
 3. Dispose of the appliance in an environmentally friendly manner.

Information about current disposal methods are available from your specialist dealer or local authority.



This appliance is labelled in accordance with European Directive 2012/19/EU concerning used electrical and electronic appliances (waste electrical and electronic equipment - WEEE). The guideline determines the framework for the return and recycling of used appliances as applicable throughout the EU.

22 Customer Service

Detailed information on the warranty period and terms of warranty in your country is available from our after-sales service, your retailer or on our website.

If you contact Customer Service, you will require the product number (E-Nr.) and the production number (FD) of your appliance.

The contact details for Customer Service can be found in the enclosed Customer Service directory or on our website.

22.1 Product number (E-Nr.) and production number (FD)

You can find the product number (E-Nr.) and the production number (FD) on the appliance's rating plate.

Depending on the model, the rating plate is located:

- On the inside of the door.
- On the inside of the maintenance flap.

- On the rear of the appliance.

Make a note of your appliance's details and the Customer Service telephone number to find them again quickly.

23 Technical data

Appliance height	84.2 cm
Appliance width	59.8 cm
Appliance depth	61.3 cm
Appliance depth with door closed	65.1 cm
Appliance depth with door open	110.5 cm
Weight	56.2 kg
Maximum load	10.0 kg
Mains voltage	220 V, 50 Hz
⇄ Minimum installation protection	10A
Nominal power	800 W
Permissible operating conditions in accordance with GB/T 23118	<ul style="list-style-type: none"> ■ Ambient temperature 0–40 °C, not freezing ■ Relative humidity less than 80% at 25 °C, non-condensing
Length of the power cord	145 cm

24 Applicable standard

GB 4706.1	Household and similar electrical appliances –
-----------	---

en Applicable standard

	Safety – Part 1: General require- ments	GB 17625.1	Electromagnetic compatibility – Limits – Limits for harmonic cur- rent emissions
GB 4343.1	Electromagnetic compatibility re- quirements for household appli- ances, electric tools and similar apparatus – Part 1: Emission		(equipment input current ≤ 16 A per phase)
		GB 4706.20	Safety of house- hold and similar electrical appli- ances – Particu- lar requirements for tumble dryers

Name and content of hazardous substances in products

Component name	Hazardous substance					
	Lead (Pb)	Mercury (Hg)	Cadmium (Cd)	Hexavalent chromium (Cr(VI))	Polybrominated biphenyls (PBB)	Polybrominated diphenyl ethers (PBDE)
PCB	x	o	o	o	o	o
Display	x	o	o	o	o	o
Controller	x	o	o	o	o	o
Power cord and connect wiring harness	x	o	o	o	o	o
Pumps and drives	x	o	o	o	o	o
Housing	o	o	o	o	o	o
Door and its constituent parts	x	o	o	o	o	o
Drum-system and its constituent parts	x	o	o	o	o	o
Water supply components (exempted dryer)	x	o	o	o	o	o

This table was developed according to the provisions of SJ/T 11364.

- o The content of such hazardous substance in all homogeneous materials of such component is below the limit required by GB/T 26572.
- x The content of such hazardous substance in a certain homogeneous materials of such component is beyond the limit required by GB/T 26572.



Thank you for buying a Bosch Home Appliance!

Register your new device on MyBosch now and profit directly from:

- **Expert tips & tricks for your appliance**
- **Warranty extension options**
- **Discounts for accessories & spare-parts**
- **Digital manual and all appliance data at hand**
- **Easy access to Bosch Home Appliances Service**

Free and easy registration – also on mobile phones:

www.bosch-home.com/welcome

BOSCH
HOME APPLIANCES
SERVICE

Looking for help? You'll find it here.



博世家电官方微信公众号

Expert advice for your Bosch home appliances, help with problems or a repair from Bosch experts.

Find out everything about the many ways Bosch can support you:

www.bosch-home.com/service

Contact data of all countries are listed in the attached service directory.

BSH Hausgeräte GmbH

Carl-Wery-Straße 34,
81739 München, GERMANY

地址:

中国江苏省南京市鼓楼区清江南路18号3幢
客户服务热线: 400 885 5888
客户服务电子邮箱:
careline.china@bshg.com
www.bosch-home.cn

总经销商: 博西家用电器(中国)有限公司



9001791606 (021128)

en

Free Manuals Download Website

<http://myh66.com>

<http://usermanuals.us>

<http://www.somanuals.com>

<http://www.4manuals.cc>

<http://www.manual-lib.com>

<http://www.404manual.com>

<http://www.luxmanual.com>

<http://aubethermostatmanual.com>

Golf course search by state

<http://golfingnear.com>

Email search by domain

<http://emailbydomain.com>

Auto manuals search

<http://auto.somanuals.com>

TV manuals search

<http://tv.somanuals.com>