



Parts Manual

Mfg. No: 1696619-02
1227MD, B&S 11.5 Gross TP 27" Dual

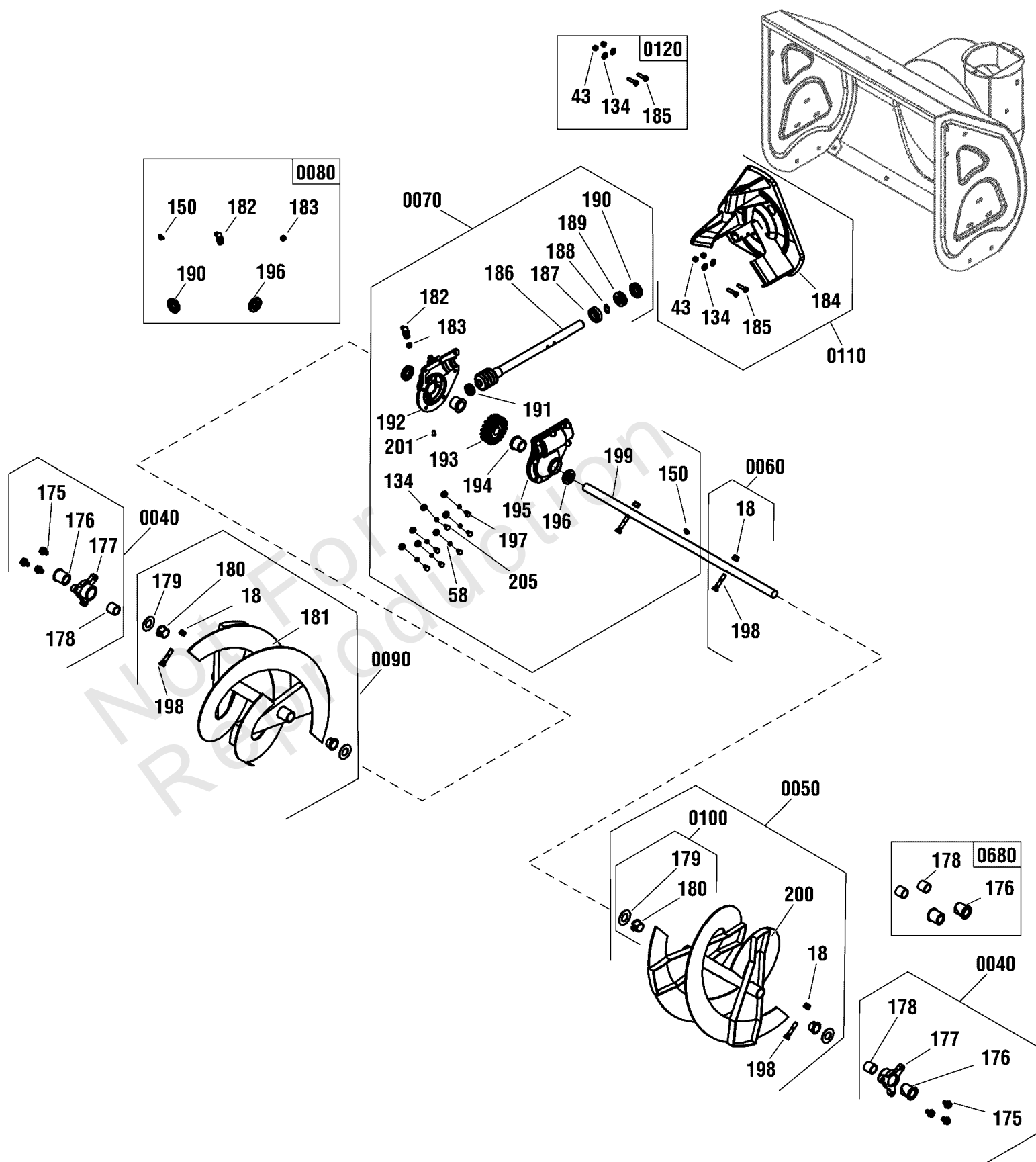
Model Components	Page
Auger Drive Group.....	4
Auger Housing Group.....	10
Decals Group.....	12
Discharge Chute Group.....	14
Engine & Frame Group.....	20
Handles & Controls Group.....	26
Transaxle Drive Group.....	34
Wheels & Tires Group.....	40
Torque Specification Chart.....	42

Not For
Reproduction

Auger Drive Group

Note: Unless noted otherwise, use the standard torque specifications

Mfg. No: 1696619-02



Auger Drive Group

REF NO	PART NO	QTY	DESCRIPTION
0040	707553	2	KIT, Mounting Plate, Auger Housing -(Incl. Ref. Nos. 175, 176, 177 & 178)
175		3	*SCREW, Hex Head -(Included with Ref. No. 0040)
176		1	*BEARING, Nylon -(Included with Ref. No. 0040)
177		1	*BASE, Auger -(Included with Ref. No. 0040)
178		1	*PAD, Auger -(Included with Ref. No. 0040)
0050	707556	1	KIT, Auger Assembly, Left -(Incl. Ref. Nos. 18, 179, 180, 198 & 200)
18		2	*NUT, Hex Head Lock, Non-metal -(Included with Ref. No. 0050)
179		2	*WASHER, Flat -(Included with Ref. No. 0050)
180		2	*SLEEVE, Output Shaft 24-2 -(Included with Ref. No. 0050)
198		2	*BOLT, Auger Shear -(Included with Ref. No. 0050)
200		1	*AUGER, Left -(Included with Ref. No. 0050)
0060	707555	1	Kit, Shear Pin, Auger -(Incl. Ref. Nos. 18 & 198)
18		2	*NUT, Hex Head Lock, Non-metal -(Included with Ref. No. 0060)
198		2	*BOLT, Auger Shear -(Included with Ref. No. 0060)
0070	707559	1	KIT, Gear Box, Auger -(Incl. Ref. Nos. 18, 75, 58, 134, 150, 182, 183, 186, 187, 188, 189, 190, 191, 192, 193, 194, 195, 196, 197, 199, 201 & 205)
18		2	*NUT, Hex Head Lock, Non-metal -(Included with Ref. No. 0070)
58		7	*WASHER, Spring -(Included with Ref. No. 0070)
134		7	*WASHER, Flat -(Included with Ref. No. 0070)
150		2	*KEY, Woodruff -(Included with Ref. No. 0070)
182		1	*NIPPLE, Oil -(Included with Ref. No. 0070)
183		1	*GASKET, Corrugated -(Included with Ref. No. 0070)
186		1	*SHAFT, Worm -(Included with Ref. No. 0070)
187		1	*BEARING, Deep Groove Ball -(Included with Ref. No. 0070)
188		1	*SPACER -(Included with Ref. No. 0070)
189		1	*BEARING, Single Thrust Ball -(Included with Ref. No. 0070)
190		1	*SEAL, Oil -(Included with Ref. No. 0070)
191		1	*BEARING, Deep Groove Ball -(Included with Ref. No. 0070)
192		1	*BOX, Gear, Right -(Included with Ref. No. 0070)

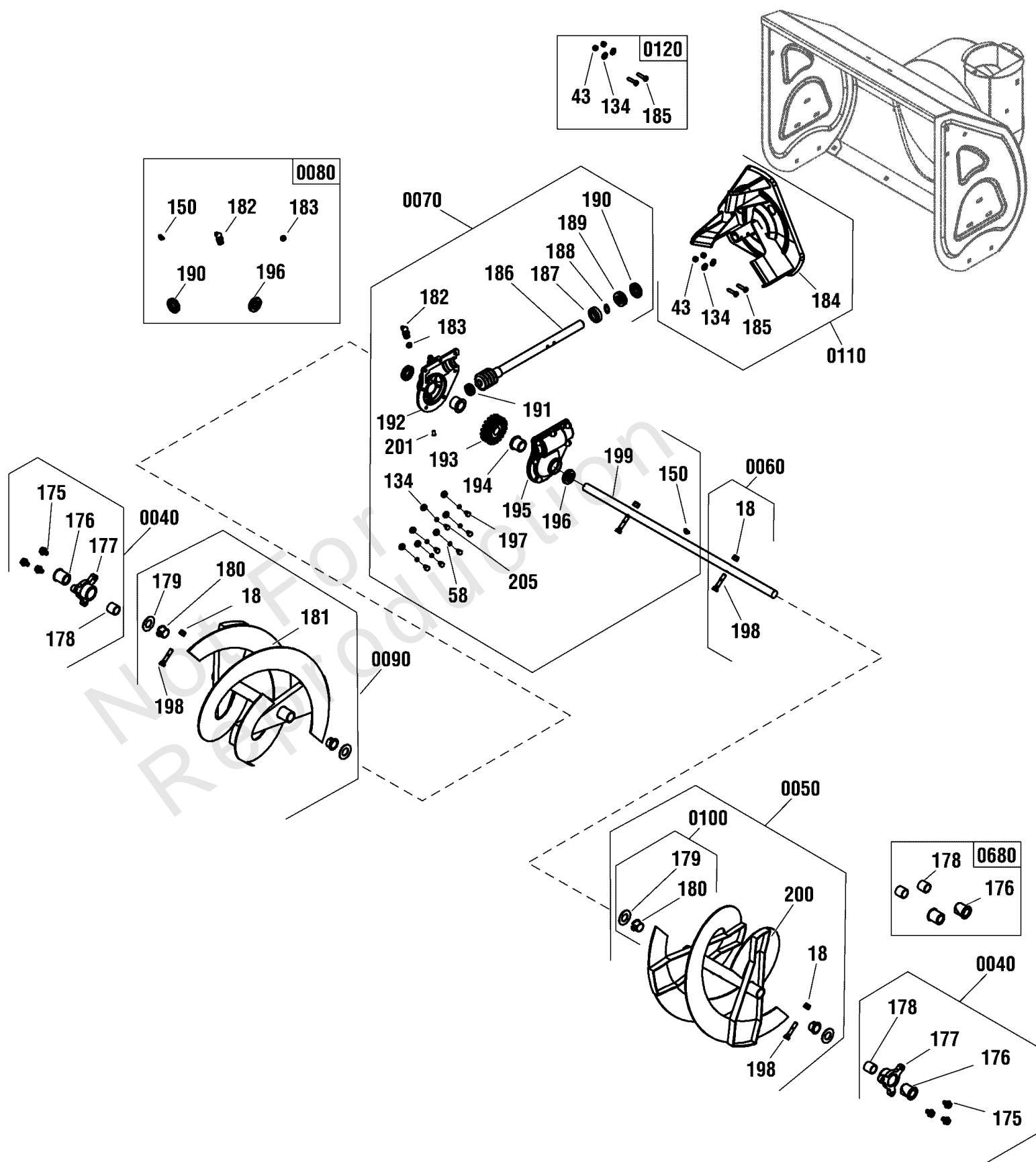
Footnotes:

Note:* Not a serviceable part.

Auger Drive Group

Note: Unless noted otherwise, use the standard torque specifications

Mfg. No: 1696619-02



Auger Drive Group

REF NO	PART NO	QTY	DESCRIPTION
193		1	*GEAR, Worm -(Included with Ref. No. 0070)
194		2	*SLEEVE, Output Shaft -(Included with Ref. No. 0070)
195		1	*BOX, Gear, Left -(Included with Ref. No. 0070)
196		2	*SEAL, Oil -(Included with Ref. No. 0070)
197		6	*SCREW, Hex Head -(Included with Ref. No. 0070)
199		1	*SHAFT, Auger -(Included with Ref. No. 0070)
201		1	*BOLT, Phillips Head -(Included with Ref. No. 0070)
205		1	*SCREW, Hex Head -(Included with Ref. No. 0070)
0080	707558	1	KIT, Seal, Gear Box -(Incl. Ref. Nos. 150, 182, 183, 190 & 196)
182		1	*NIPPLE, Oil -(Included with Ref. No. 0080)
183		1	*GASKET, Corrugated -(Included with Ref. No. 0080)
196		2	*SEAL, Oil -(Included with Ref. No. 0080)
150		2	*KEY, Woodruff -(Included with Ref. No. 0080)
190		1	*SEAL, Oil -(Included with Ref. No. 0080)
0090	707557	1	KIT, Auger Assembly, Right -(Incl. Ref. Nos. 18, 179, 180, 181 & 198)
18		2	*NUT, Hex Head Lock, Non-metal -(Included with Ref. No. 0090)
179		2	*WASHER, Flat -(Included with Ref. No. 0090)
180		2	*SLEEVE, Output Shaft 24-2 -(Included with Ref. No. 0090)
181		1	*AUGER, Right -(Included with Ref. No. 0090)
198		2	*BOLT, Auger Shear -(Included with Ref. No. 0090)
0100	707554	1	KIT, Auger Shaft Hardware -(Incl. Ref. Nos. 179 & 180)
179		2	*WASHER, Flat -(Included with Ref. No. 0100)
180		2	*SLEEVE, Output Shaft 24-2 -(Included with Ref. No. 0100)
0110	707560	1	KIT, Impeller Assembly -(Incl. Ref. Nos. 43, 134, 184, & 185)
43		2	*NUT, Hex Head Lock, Non-metal -(Included with Ref. No. 0110)
134		2	*WASHER, Flat -(Included with Ref. No. 0110)
184		1	*BLADE, Impeller -(Included with Ref. No. 0110)
185		2	*SCREW, Fixed, Impeller -(Included with Ref. No. 0110)

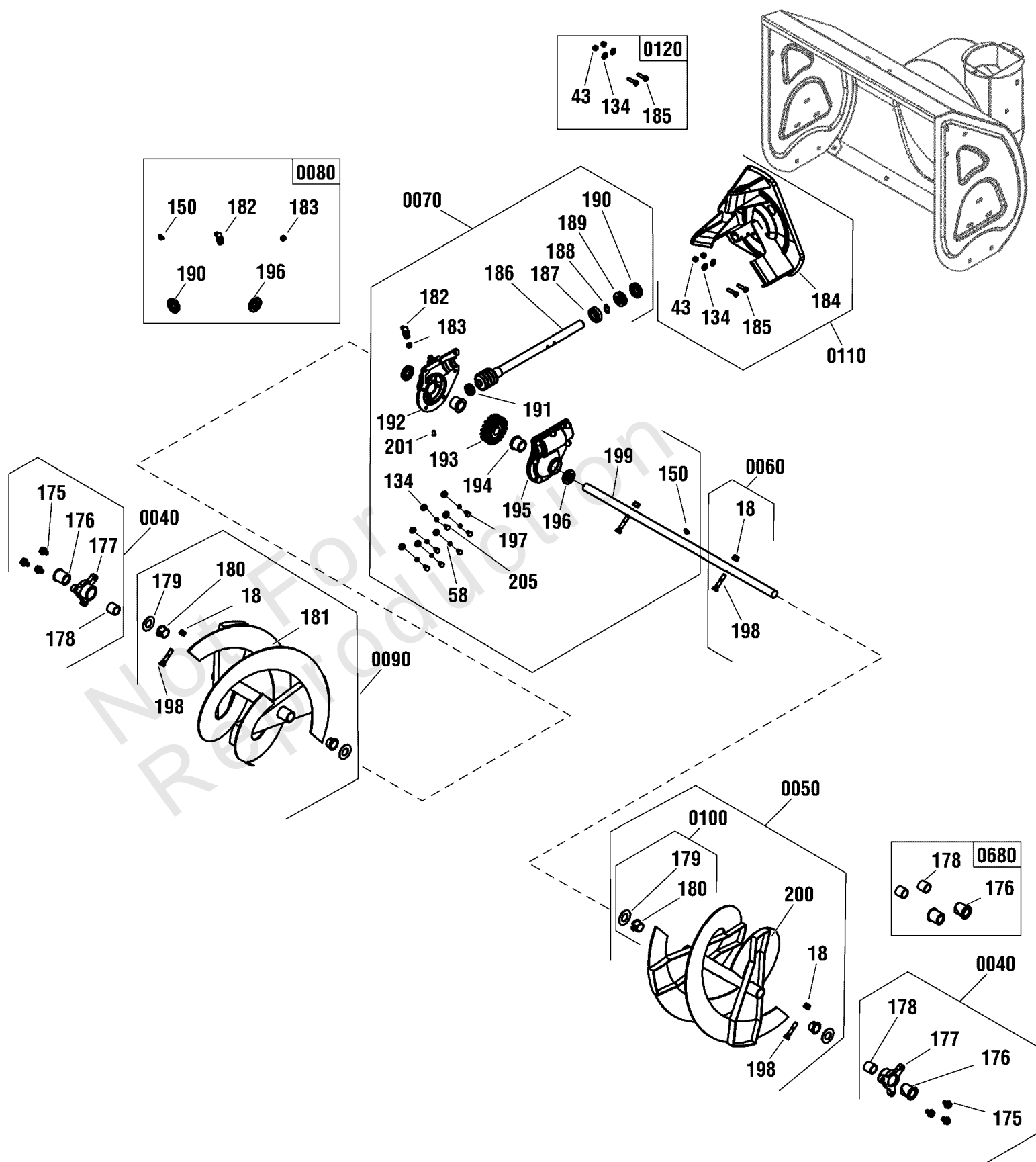
Footnotes:

Note:* Not a serviceable part.

Auger Drive Group

Note: Unless noted otherwise, use the standard torque specifications

Mfg. No: 1696619-02



Auger Drive Group

REF NO	PART NO	QTY	DESCRIPTION
0120	707561	1	KIT, Shear Pin, Impeller -(Incl. Ref. Nos. 18, 134 & 185)
43		2	*NUT, Hex Head Lock, Non-metal -(Included with Ref. No. 0120)
134		2	*WASHER, Flat -(Included with Ref. No. 0120)
185		2	*SCREW, Fixed, Impeller -(Included with Ref. No. 0120)
0680	707552	1	KIT, Bearing, Mounting Plate -(Incl. Ref. Nos. 176 & 178)
176		2	*BEARING, Nylon -(Included with Ref. No. 0680)
178		2	*PAD, Auger -(Included with Ref. No. 0680)

Not For
Reproduction

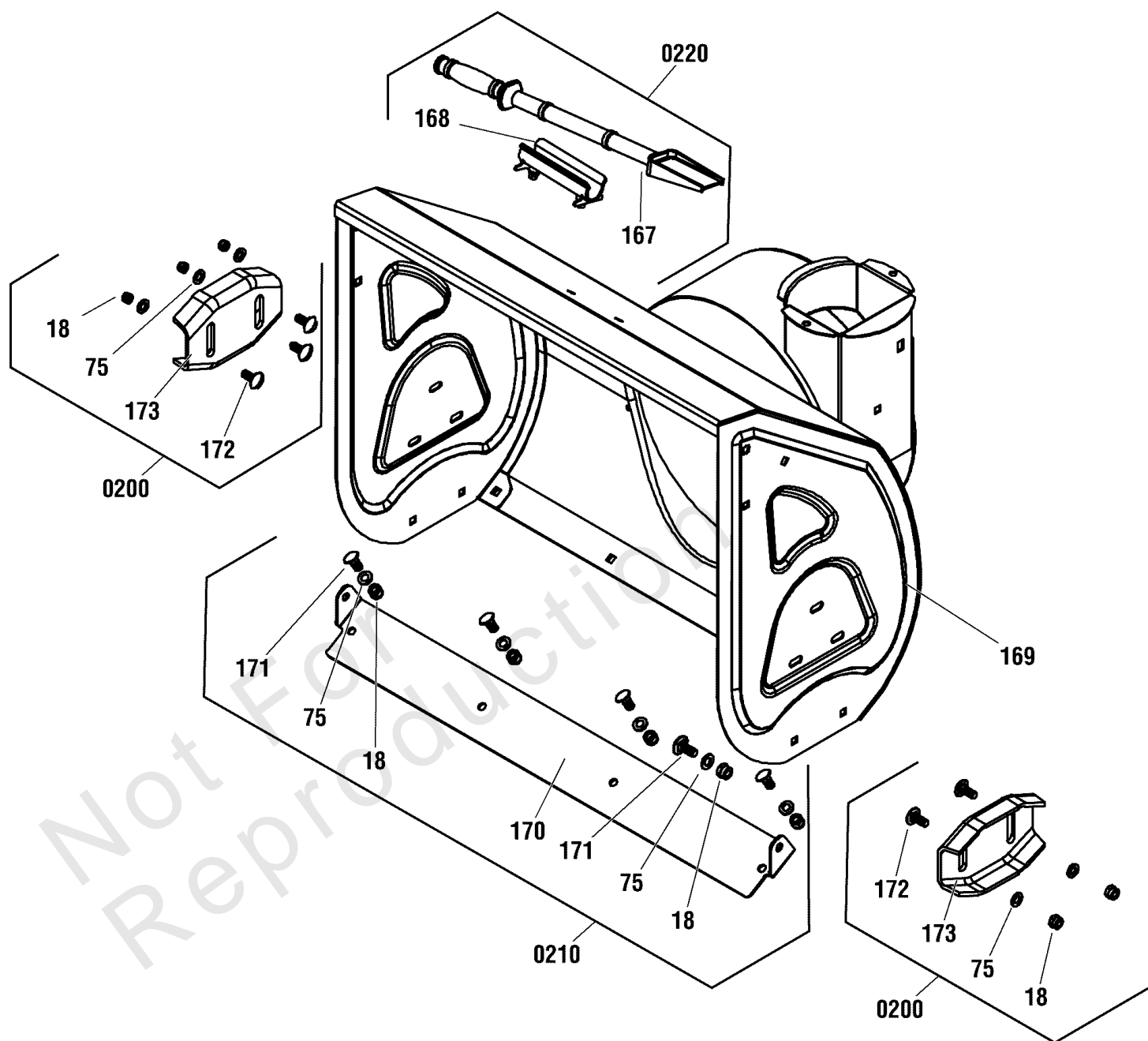
Footnotes:

Note:* Not a serviceable part.

Auger Housing Group

Note: Unless noted otherwise, use the standard torque specifications

Mfg. No: 1696619-02



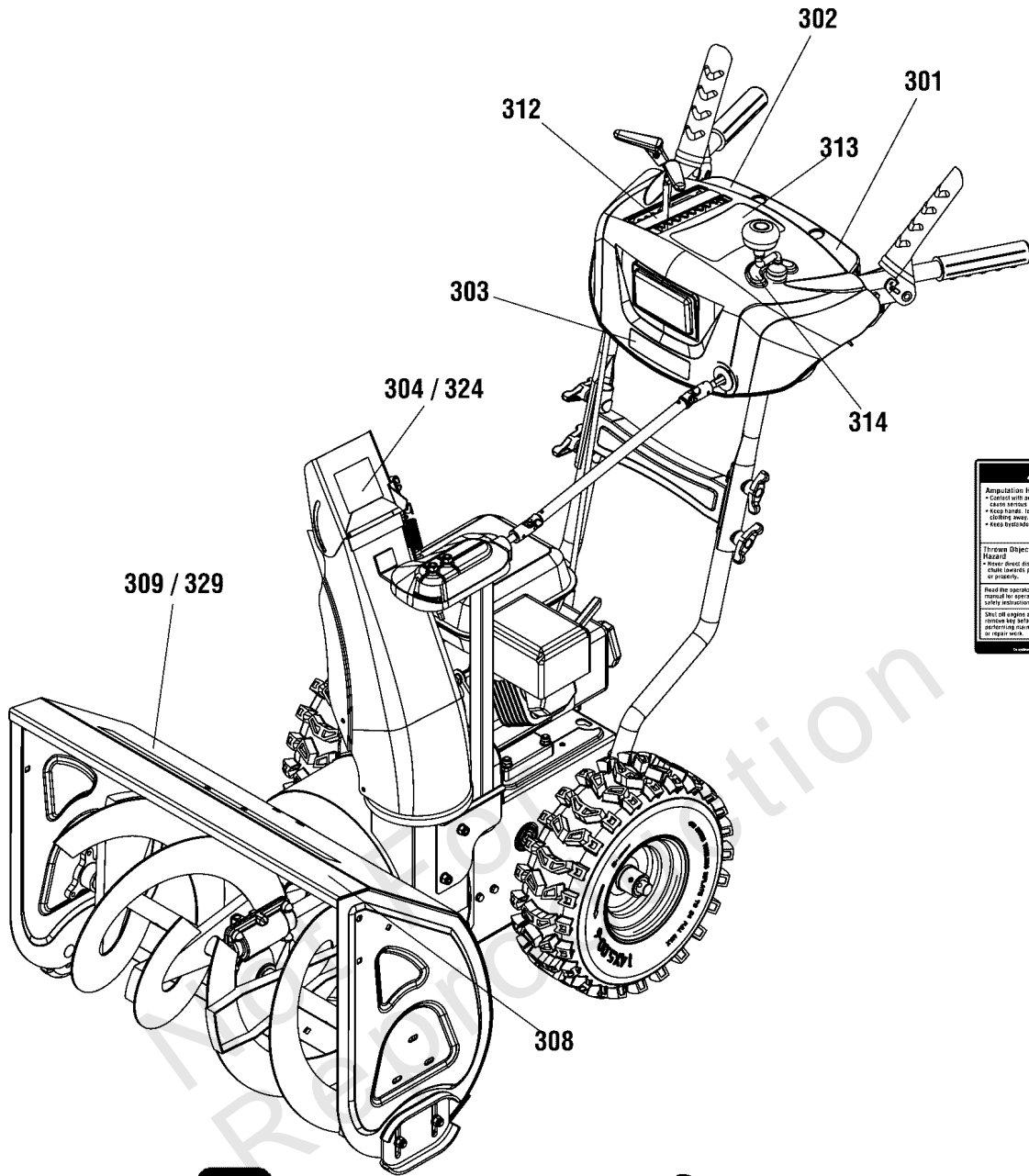
Auger Housing Group

REF NO	PART NO	QTY	DESCRIPTION
169			*HOUSING, Auger, 27"
0200	707550	1	KIT, Skid Shoe -(Incl. Ref. Nos. 18, 75, 172 & 173)
18		4	*NUT, Hex Head Lock, Non-metal -(Included with Ref. No. 0200)
75		4	*WASHER, Flat -(Included with Ref. No. 0200)
172		4	*BOLT, Square Neck, Cup Head -(Included with Ref. No. 0200)
173		2	*SHOE, Skid -(Included with Ref. No. 0200)
0210	707551	1	KIT-Scraper Bar -(Incl. Ref. Nos. 18, 75, 170 & 171)
18		6	*NUT, Hex Head Lock, Non-metal -(Included with Ref. No. 0210)
75		6	*WASHER, Flat -(Included with Ref. No. 0210)
170		1	*BAR, Scraper, 27" Housing -(Included with Ref. No. 0210)
171		6	*BOLT, Square Neck, Cup Head -(Included with Ref. No. 0210)
0220	707549	1	KIT, Cleanout Brush Stick -(Incl. Ref. Nos. 167 & 168)
167		1	*STICK, Cleanout -(Included with Ref. No. 0220)
168		1	*BASE, Cleanout Stick -(Included with Ref. No. 0220)

Not For
Reproduction

Footnotes:

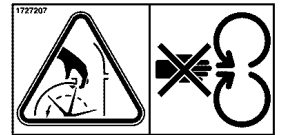
Note:* Not a serviceable part.



⚠ DANGER
Amputation hazard
 Contact with moving parts inside chute will cause serious injury.
 • Shut off engine before engaging discharge chute.
 • Use clean-out tool, not hands!

Risque d'amputation
 Tout contact avec des pièces en mouvement à l'intérieur de la goulotte provoquera de graves blessures.
 • Arrêter le moteur avant de dépanner la goulotte d'éjection.
 • Utiliser l'outil de dépannement, pas les mains!

304

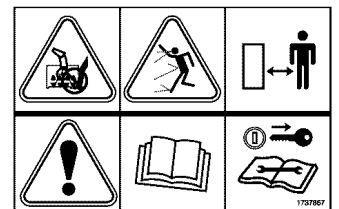


324

⚠ DANGER

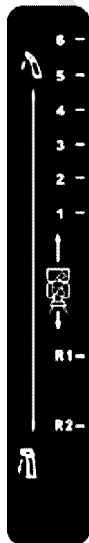
<p>Amputation Hazard • Contact with moving parts inside chute will cause serious injury. • Shut off engine before engaging discharge chute. • Use clean-out tool, not hands!</p>	<p>Risque d'amputation • Tout contact avec les parties en mouvement de la goulotte provoquera de graves blessures. • Arrêter le moteur avant de dépanner la goulotte d'éjection. • Utiliser l'outil de dépannement, pas les mains!</p>
<p>Thrown Objects Hazard • Never direct discharge chute towards persons or property.</p>	<p>Danger objects projects • Ne jamais diriger le chute en direction des personnes ou biens matériels.</p>
<p>Read the operator's manual for operating and safety instructions.</p>	<p>Consult the operator's manual for operating and safety instructions.</p>
<p>Shut off engine and remove key before performing maintenance or repairs work.</p>	<p>Arrête le moteur et retire la clé avant à effectuer des opérations de maintenance ou de réparation.</p>

309



329

309 / 329



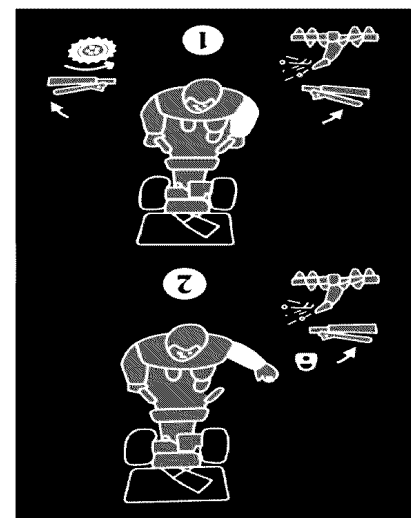
312



314



303



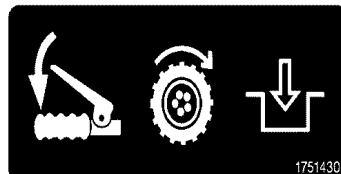
313



308



301



302

Decals Group

REF NO	PART NO	QTY	DESCRIPTION
1	770143	1	KIT-DECAL, Briggs 1227MD -(Incl. Ref. No. 301, 302, 303, 304, 308, 309, 312, 313 & 314)
2	770146	1	KIT-DECAL, Briggs 1227MD, Export -(Incl. Ref. No. 301, 302, 303, 308, 312, 313 & 314, 324 & 329)
301	1751429YP	1	DECAL, Auger Control -(Included with Ref. No. 1 & 2) (Included with Dash Kit)
302	1751430YP	1	DECAL, Traction Control -(Included with Ref. No. 1 & 2) (Included with Dash Kit)
303		1	*DECAL, Control Panel, Briggs & Stratton -(Included with Ref. No. 1 & 2)
304	1737865YP	1	DECAL, Danger Chute -(Included with Ref. No. 1)
308		1	*DECAL, Auger Housing, 1227MD -(Included with Ref. No. 1 & 2)
309	1737866YP	1	DECAL, Danger Foot -(Included with Ref. No. 1)
312		1	*DECAL, 1-6 Transmission Speed Control -(Included with Ref. No. 1 & 2) (Included with Dash Kit)
313		1	*DECAL, Free Hand Operation -(Included with Ref. No. 1 & 2) (Included with Dash Kit)
314		1	*DECAL, Chute Rotation -(Included with Ref. No. 1 & 2) (Included with Dash Kit)
324	1727207SM	1	DECAL, Chute Warning, Export -(Included with Ref. No. 2)
329	1737867YP	1	DECAL, Danger Auger Icons, Export -(Included with Ref. No. 2)

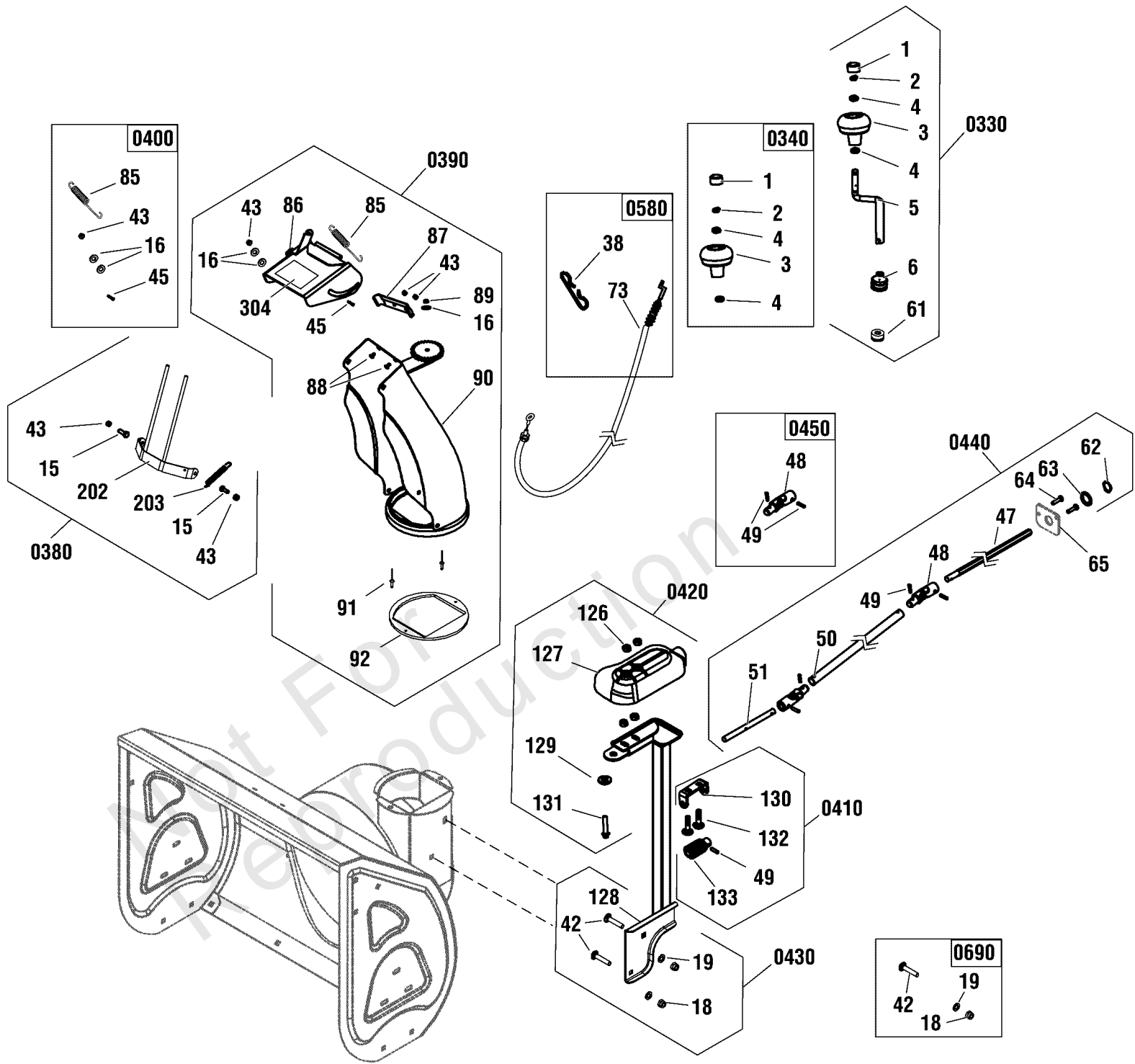
Footnotes:

Note:* Not a serviceable part.

Discharge Chute Group

Note: Unless noted otherwise, use the standard torque specifications

Mfg. No: 1696619-02



Discharge Chute Group

REF NO	PART NO	QTY	DESCRIPTION
0330	707503	1	KIT, Chute Rotation -(Incl. Ref. Nos. 1, 2, 3, 4, 5, 6 & 61)
1		1	*COVER, Lever Knob, Chute Rotater -(Included with Ref. No. 0330)
2		1	*C-Clip, Shaft -(Included with Ref. No. 0330)
3		1	*KNOB, Lever, Chute Rotater -(Included with Ref. No. 0330)
4		2	*WASHER, Flat -(Included with Ref. No. 0330)
5		1	*LEVER, Chute Rotater -(Included with Ref. No. 0330)
6		1	*SLEEVE, Rubber -(Included with Ref. No. 0330)
61		1	*SLEEVE, Damping, Chute Rotater Lever -(Included with Ref. No. 0330)
0340	707502	1	KIT, Chute Knob -(Incl. Ref. Nos. 1, 2, 3 & 4)
1		1	*COVER, Lever Knob, Chute Rotater -(Included with Ref. No. 0340)
2		1	*C-CLIP, Shaft -(Included with Ref. No. 0340)
3		1	*KNOB, Lever, Chute Rotater -(Included with Ref. No. 0340)
4		2	*WASHER, Flat -(Included with Ref. No. 0340)
0380	707570	1	KIT, Chute Guard -(Incl. Ref. Nos. 15, 43, 202 & 203)(CE/Export Only)
15		2	*SCREW, Hex-Head -(Included with Ref. No. 0380)(CE/Export Only)
43		2	*Lock Nut, Hex Head, non-metal -(Included with Ref. No. 0380)(CE/Export Only)
202		1	*Chute Guard -(Included with Ref. No. 0380)(CE/Export Only)
203		1	*Spring -(Included with Ref. No. 0380)(CE/Export ONLY)
0390	707747	1	KIT, Chute Assembly -(Domestic Only) (Incl. Ref. Nos. 4, 16, 43, 45, 85, 86, 87, 88, 89, 90, 91 & 92)
0390	707748	1	KIT, Chute Assembly -(CE/Export Only) (Incl. Ref. Nos. 4, 16, 43, 45, 85, 86, 87, 88, 89, 90, 91 & 92)
16		2	*WASHER, Flat -(Included with Ref. No. 0390)
43		2	*NUT, Hex Head Lock, Non-metal -(Included with Ref. No. 0390)
45		1	*SCREW, Non-standard -(Included with Ref. No. 0390)
85		1	*SPRING, Tensioned, Chute Deflector -(Included with Ref. No. 0390)
86		1	*DEFLECTOR, Chute -(Included with Ref. No. 0390)
87		1	*PAD, Chute Rubber -(Included with Ref. No. 0390)
88		2	*SCREW, Hex Head -(Included with Ref. No. 0390)
89		1	*NUT, Hex Head Lock, Non-metal -(Included with Ref. No. 0390)

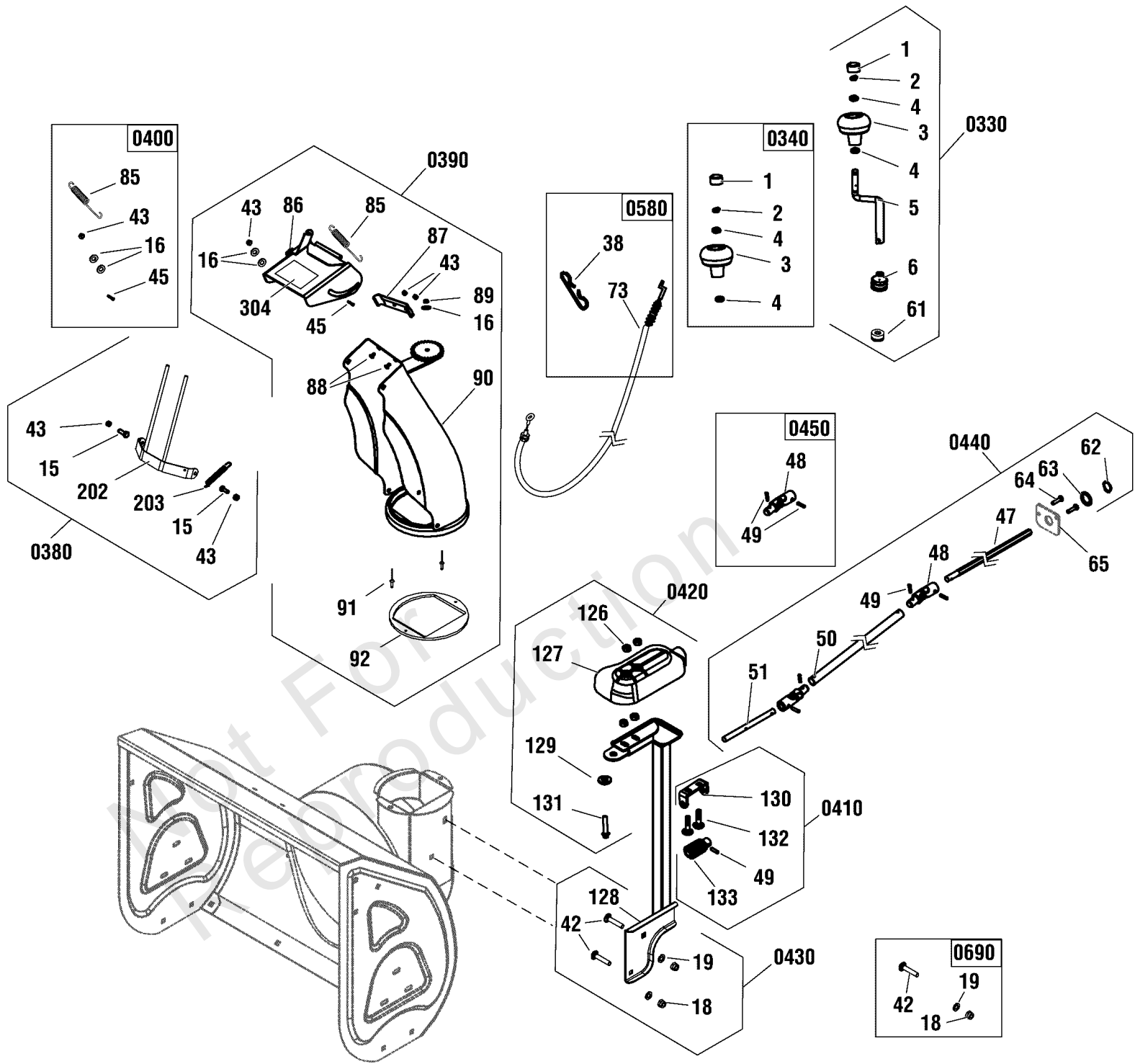
Footnotes:

Note:* Not a serviceable part.

Discharge Chute Group

Note: Unless noted otherwise, use the standard torque specifications

Mfg. No: 1696619-02



Discharge Chute Group

REF NO	PART NO	QTY	DESCRIPTION
90		1	*CHUTE -(Included with Ref. No. 0390)
91		2	*RIVET, Core -(Included with Ref. No. 0390)
92		1	*RING, Chute -(Included with Ref. No. 0390)
304	1737865YP	1	*DECAL, Danger Chute -(Included with Ref. No. 0390)
304	1727207SM	1	*DECAL, Danger Chute, Export -(Included with Ref. No. 0390)
0400	707563	1	KIT, Spring, Chute -(Incl. Ref. Nos. 16, 43, 45 & 85)
16		2	*WASHER, Flat -(Included with Ref. No. 0400)
43		1	*NUT, Hex Head Lock, Non-metal -(Included with Ref. No. 0400)
45		1	*SCREW, Non-standard -(Included with Ref. No. 0400)
85		1	*SPRING, Tensioned, Chute Deflector -(Included with Ref. No. 0400)
0410	707543	1	KIT, Worm Gear Hardware, Chute -(Incl. Ref. Nos. 49, 126, 130, 132 & 133)
49		1	*SPRING, Splitpin -(Included with Ref. No. 0410)
130		1	*BRACKET, Worm -(Included with Ref. No. 0410)
126		2	*NUT -(Included with Ref. No. 0410)
132		2	*BOLT -(Included with Ref. No. 0410)
133		1	*WORM, Turning -(Included with Ref. No. 0410)
0420	707544	1	KIT, Cover, Chute Rotation -(Incl. Ref. Nos. 126, 127, 129 & 131)
126		4	*NUT -(Included with Ref. No. 0420)
127		1	*HEAD, Chute Rotation -(Included with Ref. No. 0420)
129		1	*SELF-LOCK, Assembly, Chute Deflector -(Included with Ref. No. 0420)
131		1	*SCREW, Hex Head -(Included with Ref. No. 0420)
0430	707545	1	KIT, Bracket, Chute Rotation -(Incl. Ref. Nos. 18, 19, 42 & 128)
18		2	*NUT, Hex Head Lock, Non-metal -(Included with Ref. No. 0430)
19		2	*WASHER, Flat -(Included with Ref. No. 0430)
42		2	*BOLT, Square Neck, Cup Head -(Included with Ref. No. 0430)
128		1	*BRACKET, Chute Rotatation -(Included with Ref. No. 0430)
0440	707525	1	KIT, Chute Rotaion Rod -(Incl. Ref. Nos. 47, 48, 49, 50, 51 62, 63 & 64)
47		1	*ROD, Hex, Chute Rotation -(Included with Ref. No. 0440)

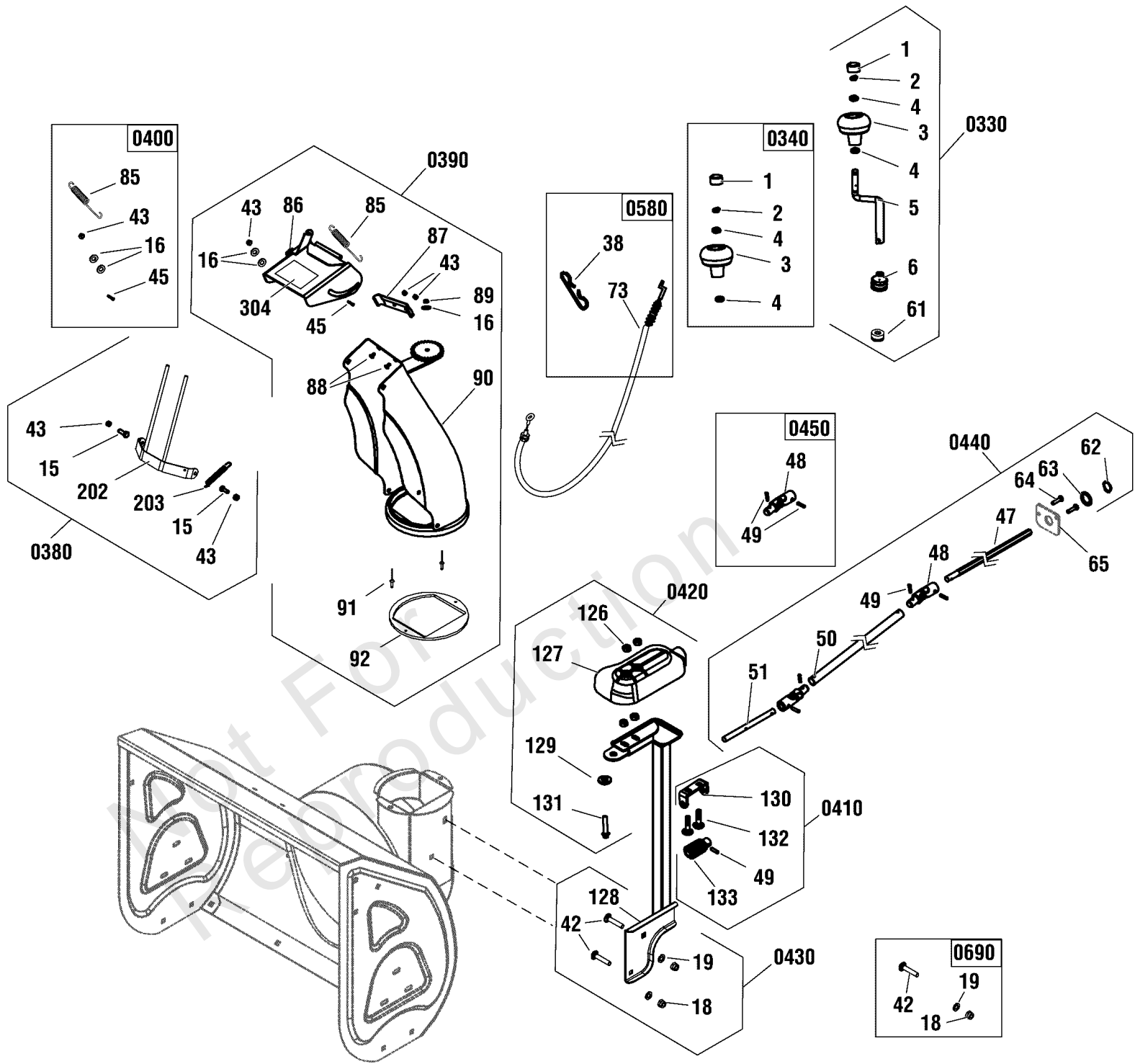
Footnotes:

Note:* Not a serviceable part.

Discharge Chute Group

Note: Unless noted otherwise, use the standard torque specifications

Mfg. No: 1696619-02



Discharge Chute Group

REF NO	PART NO	QTY	DESCRIPTION
48		2	*JOINT, Cardan -(Included with Ref. No. 0440)
49		4	*SPRING, Splitpin -(Included with Ref. No. 0440)
50		1	*ROD, Rotation, Chute -(Included with Ref. No. 0440)
51		1	*ROD, Rotation, Chute -(Included with Ref. No. 0440)
62		1	*C-CLIP, Shaft -(Included with Ref. No. 0440)
63		1	*WASHER, Flat -(Included with Ref. No. 0440)
64		2	*SCREW, Hex Head -(Included with Ref. No. 0440)
65		1	*SEAT, Bevel Gear
0450	707524	1	KIT, Cardan Joint -(Incl. Ref. Nos. 48 & 49)
48		1	*JOINT, Cardan -(Included with Ref. No. 0450)
49		2	*SPRING, Splitpin -(Included with Ref. No. 0450)
0580	707516	1	KIT, Cable-Chute Deflector -(Incl. Ref. Nos. 38 & 73)
38		1	*HOOK, Cable -(Included with Ref. No. 0580)
73		1	*CABLE, Chute Deflector -(Included with Ref. No. 0580)
0690	709757	1	KIT, Hardware, Chute Rotation -(Incl. Ref. Nos. 18, 19 & 42)
18		1	*NUT, Hex Head Lock, Non-metal -(Included with Ref. No. 0690)
19		1	*WASHER, Flat -(Included with Ref. No. 0690)
42		1	*BOLT, Square Neck, Cup Head -(Included with Ref. No. 0690)

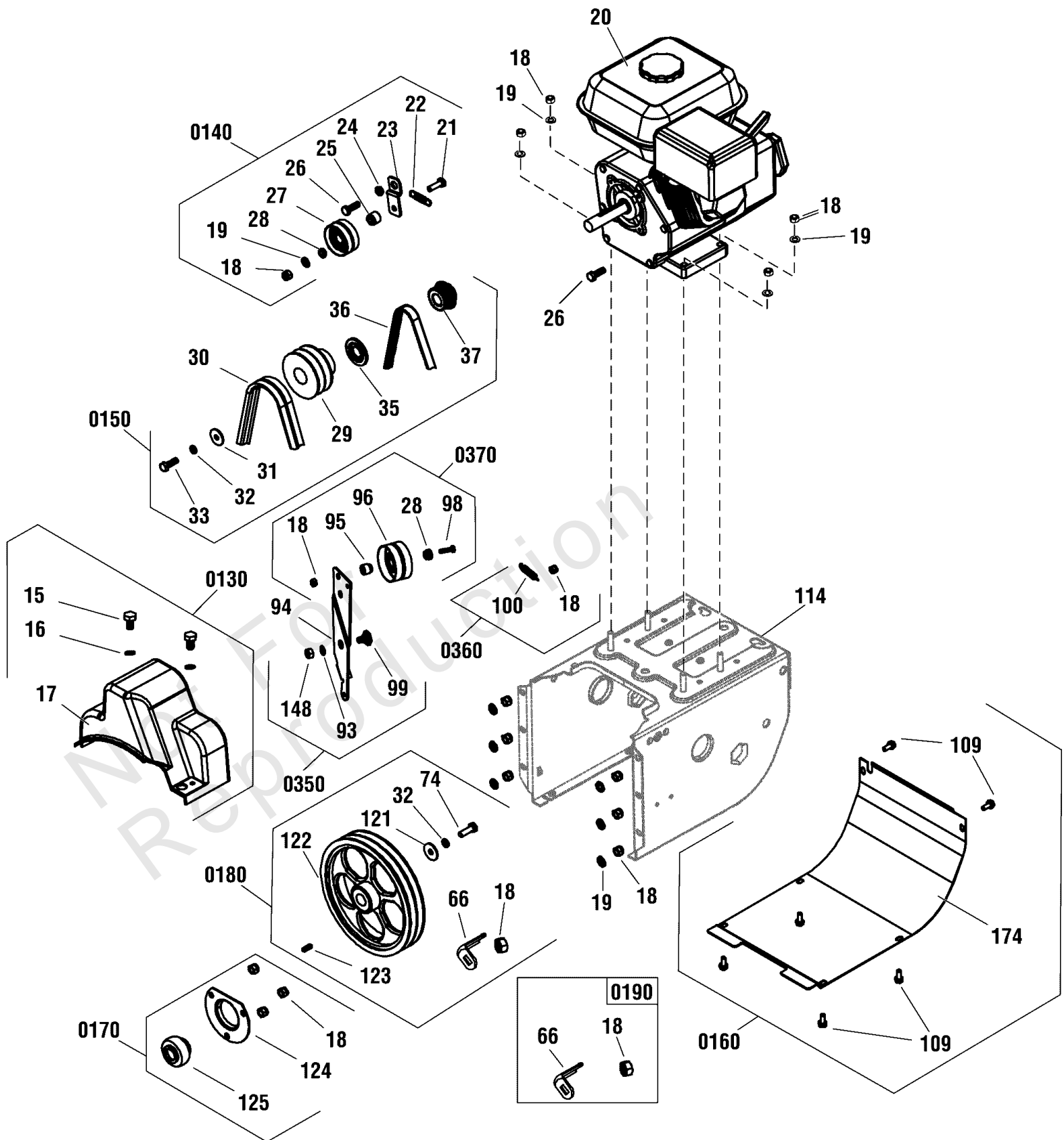
Footnotes:

Note:* Not a serviceable part.

Engine & Frame Group

Note: Unless noted otherwise, use the standard torque specifications

Mfg. No: 1696619-02



Engine & Frame Group

REF NO	PART NO	QTY	DESCRIPTION
20	15C107-0037-F8	1	**ENGINE, 11.5 Gross TP Briggs & Stratton -(Engine Model: 15C107-0037-F8)
18		10	*NUT, Hex Head Lock, Non-metal
19		10	*WASHER, Flat
0130	707567	1	KIT, Belt Cover -(Incl. Ref. Nos. 15, 16 & 17)
15		2	*SCREW, Hex Head -(Included with Ref. No. 0130)
16		2	*WASHER, Flat -(Included with Ref. No. 0130)
17		1	*COVER, Belt -(Included with Ref. No. 0130)
0140	707568	1	KIT, Idler Pulley, Traction Drive -(Incl. Ref. Nos. 18, 19, 21, 22, 23, 24, 25, 26, 27 & 28)
18		1	*NUT, Hex Head Lock, Non-metal -(Included with Ref. No. 0140)
19		1	*WASHER, Flat -(Included with Ref. No. 0140)
21		1	*SCREW, Hex Head -(Included with Ref. No. 0140)
22	707847	1	SPRING -(Included with Ref. No. 0140)
23		1	*PLATE, Tensioning, Small -(Included with Ref. No. 0140)
24		1	*PAD, Tensioning Plate, Small -(Included with Ref. No. 0140)
25		1	*PAD, Tensioning Wheel, Small -(Included with Ref. No. 0140)
26		1	*SCREW, Hex Head -(Included with Ref. No. 0140)
27		1	*WHEEL, Tensioning Assembly, Small -(Included with Ref. No. 0140)
28		1	*Washer -(Included with Ref. No. 0140)
30	707584	2	BELT, Auger Drive
36	707585	1	BELT, Traction Drive
0150	707569	1	KIT, Engine Pulley -(Incl. Ref. Nos. 29, 31, 32, 33, 35 & 37)
29		1	*PULLEY, Impeller Drive -(Included with Ref. No. 0150)
31		1	*WASHER, Flat -(Included with Ref. No. 0150)
32		1	*WASHER, Spring -(Included with Ref. No. 0150)
33		1	*SCREW, Hex Head -(Included with Ref. No. 0150)
35		1	*RING, Retainer, Synch-pulley -(Included with Ref. No. 0150)
37		1	*SYNCH-PULLEY -(Included with Ref. No. 0150)
0160	707542	1	KIT, Bottom Cover -(Incl. Ref. Nos. 109 & 174)
109		6	*SCREW, Hex Head -(Included with Ref. No. 0160)
174		1	*COVER, Motor Box, Lower -(Included with Ref. No. 0160)

Footnotes:

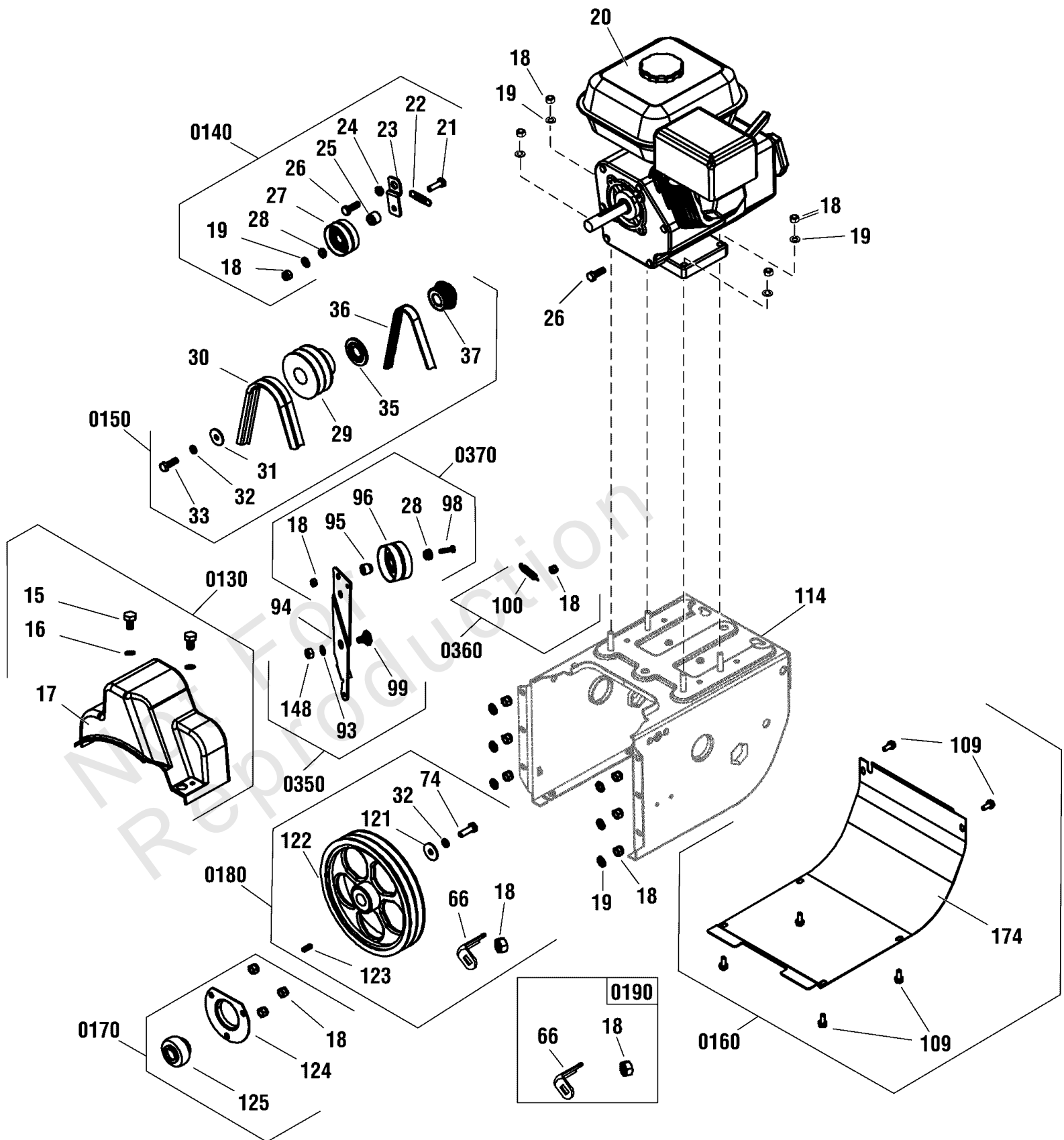
Note:* Not a serviceable part.

Note** To verify your specific engine model, please reference the ID Tag located on your engine. See your local Briggs & Stratton distributor for parts and service.

Engine & Frame Group

Note: Unless noted otherwise, use the standard torque specifications

Mfg. No: 1696619-02



Engine & Frame Group

REF NO	PART NO	QTY	DESCRIPTION
0170	707548	1	KIT, Bearing Hardware, Auger Pulley -(Incl. Ref. Nos. 18, 123, 124 & 125)
18		3	*NUT, Hex Head Lock, Non-metal -(Included with Ref. No. 0170)
124		1	*COVER, Round Bottom -(Included with Ref. No. 0170)
125		1	*BEARING, Ball -(Included with Ref. No. 0170)
114		1	*BOX, Frame
0180	707546	1	KIT, Auger Pulley -(Incl. Ref. Nos. 18, 32, 66, 74, 121, 122 & 123)
18		1	*NUT, Hex Head Lock, Non-metal -(Included with Ref. No. 0180)
32		1	*WASHER, Spring -(Included with Ref. No. 0180)
66		1	*BAFFLE, Belt -(Included with Ref. No. 0180)
74		1	*SCREW, Hex Head -(Included with Ref. No. 0180)
121		1	*WASHER, Flat -(Included with Ref. No. 0180)
122		1	*PULLEY, Drive -(Included with Ref. No. 0180)
123		1	*KEY, Flat -(Included with Ref. No. 0180)
0190	707547	1	KIT, Belt Guide, Auger -(Incl. Ref. Nos. 18 & 66)
18		1	*NUT, Hex Head Lock, Non-metal -(Included with Ref. No. 0190)
66		1	*BAFFLE, Belt -(Included with Ref. No. 0190)
0350	707565	1	KIT, Hardware, Idler Bracket -(Incl. Ref. Nos. 93, 99 & 148)
93		1	*WASHER, Flat -(Included with Ref. No. 0350)
99		1	*SCREW, Hex Head -(Included with Ref. No. 0350)
148		1	*NUT, Hex Head Lock, Non-metal -(Included with Ref. No. 0350)
94	709965	1	PLATE, Large Tensioning
0360	707564	1	KIT, Spring, Idler Pulley -(Incl. Ref. Nos. 18 & 100)
18		1	*NUT, Hex Head Lock, Non-metal -(Included with Ref. No. 0360)
100		1	*SPRING -(Included with Ref. No. 0360)
0370	707566	1	KIT, Idler Pulley, Tension Plate -(Incl. Ref. Nos. 18, 28, 95, 96 & 98)
18		1	*NUT, Hex Head Lock, Non-metal -(Included with Ref. No. 0370)
28		1	*WASHER -(Included with Ref. No. 0370)
95		1	*SLEEVE, Washer -(Included with Ref. No. 0370)
96		1	*WHEEL, Large Tensioning -(Included with Ref. No. 0370)

Footnotes:

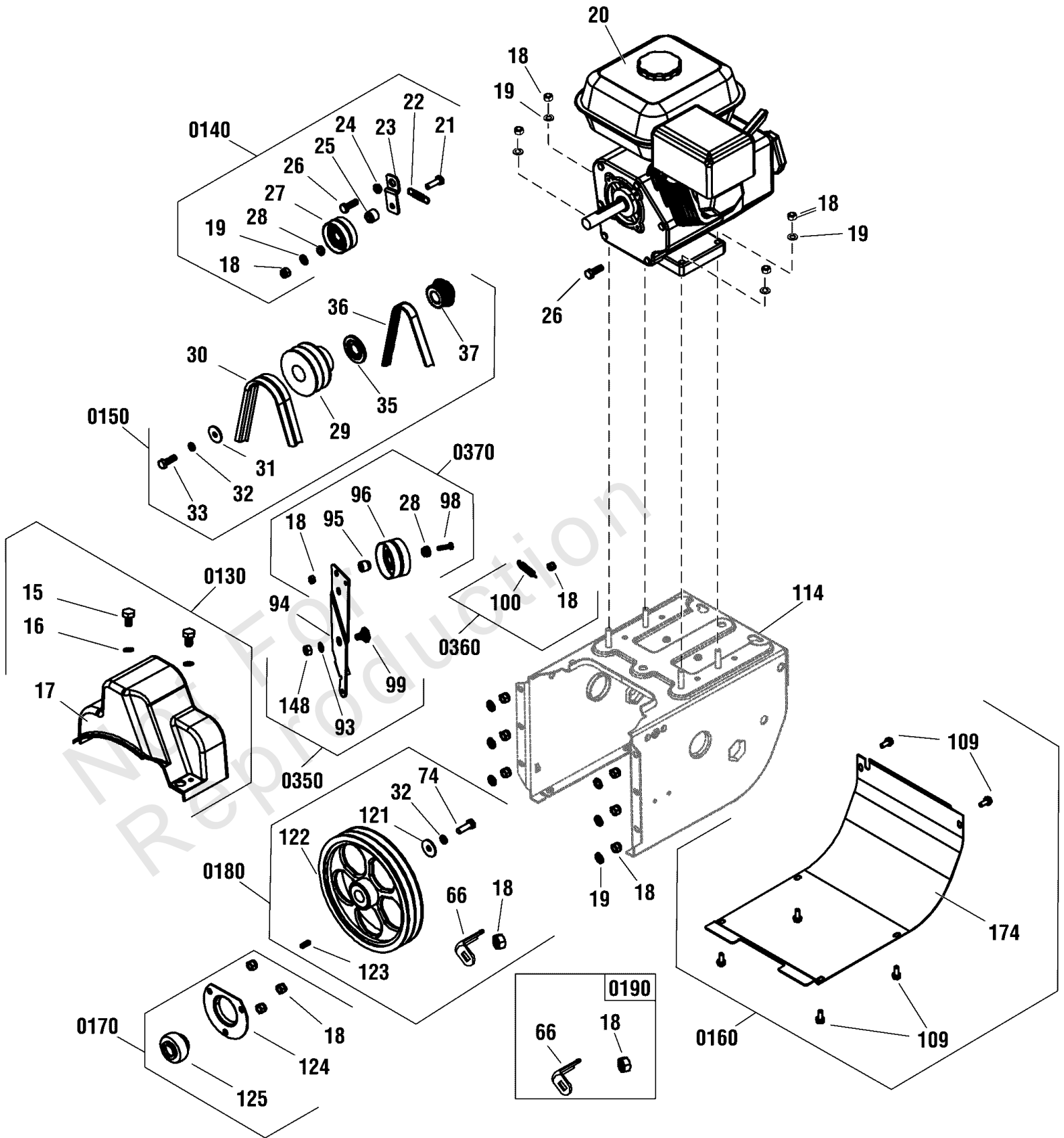
Note* Not a serviceable part.

Note** To verify your specific engine model, please reference the ID Tag located on your engine. See your local Briggs & Stratton distributor for parts and service.

Engine & Frame Group

Note: Unless noted otherwise, use the standard torque specifications

Mfg. No: 1696619-02



Engine & Frame Group

REF NO	PART NO	QTY	DESCRIPTION
98		1	*SCREW, Hex Head -(Included with Ref. No. 0370)

Not For
Reproduction

Footnotes:

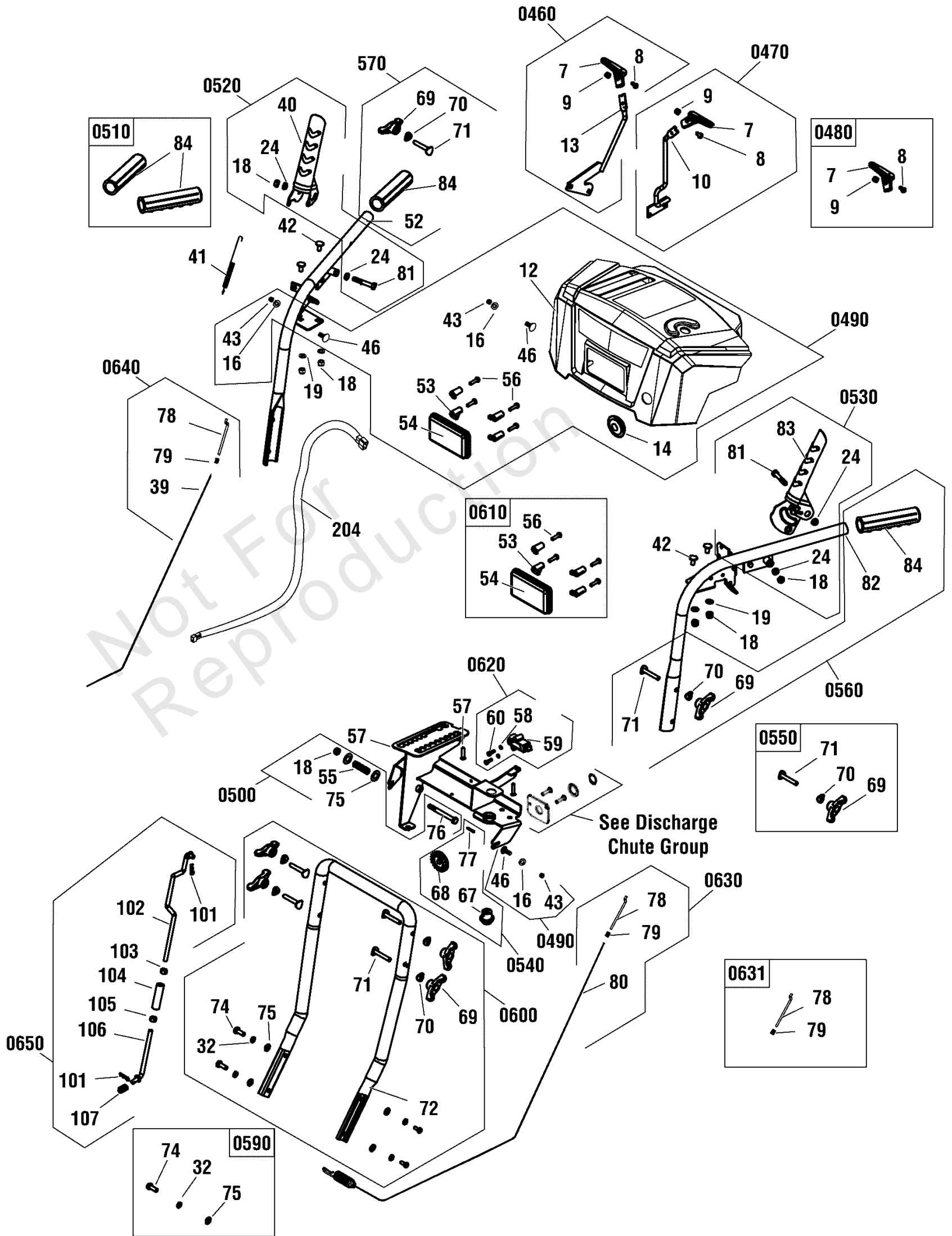
Note:* Not a serviceable part.

Note** To verify your specific engine model, please reference the ID Tag located on your engine. See your local Briggs & Stratton distributor for parts and service.

Handles & Controls Group

Note: Unless noted otherwise, use the standard torque specifications

Mfg. No: 1696619-02



Handles & Controls Group

REF NO	PART NO	QTY	DESCRIPTION
0460	770081	1	KIT, Lever, Speed -(Incl. Ref. Nos. 7, 8, 9 & 13)
7		1	*KNOB -(Included with Ref. No. 0460)
8		1	*BOLT, Phillips Head -(Included with Ref. No. 0460)
9		1	*NUT, Hex Head Lock, Non-metal -(Included with Ref. No. 0460)
13		1	*LEVER, Control, Drive Speed -(Included with Ref. No. 0460)
0470	707505	1	KIT, Lever, Discharge Chute -(Incl. Ref. Nos. 7, 8, 9 & 10)
7		1	*KNOB -(Included with Ref. No. 0470)
8		1	*BOLT, Phillips Head -(Included with Ref. No. 0470)
9		1	*NUT, Hex Head Lock, Non-metal -(Included with Ref. No. 0470)
10		1	*LEVER, Control, Discharge Chute -(Included with Ref. No. 0470)
0480	707504	1	KIT, Knob, Lever -(Incl. Ref. Nos. 7, 8 & 9)
7		1	*KNOB -(Included with Ref. No. 0480)
8		1	*BOLT, Phillips Head -(Included with Ref. No. 0480)
9		1	*NUT, Hex Head Lock, Non-metal -(Included with Ref. No. 0480)
0490	770072	1	KIT, Dash -(Incl. Ref. Nos. 12, 14, 16, 43, 46, 53, 54, 56, 301, 302, 312, 313 & 314)
12		1	*PANEL, Dash -(Included with Ref. No. 0490)
14		1	*SLEEVE, Rubber -(Included with Ref. No. 0490)
16		2	*WASHER, Flat -(Included with Ref. No. 0490)
43		2	*NUT, Hex Head Lock, Non-metal -(Included with Ref. No. 0490)
46		2	*BOLT, Square Neck, Cup Head -(Included with Ref. No. 0490)
53		4	*BUCKLE, Lamp -(Included with Ref. No. 0490)
54		1	*LAMP -(Included with Ref. No. 0490)
56		6	*BOLT, Phillips Head -(Included with Ref. No. 0490)
301	1751429YP	1	DECAL, Auger Control -(Included with Ref. No. 0490)
302	1751430YP	1	DECAL, Traction Control -(Included with Ref. No. 0490)
312		1	*DECAL, 1-6 Transmission Speed Control -(Included with Ref. No. 0490)
313		1	*DECAL, Free Hand Operation -(Included with Ref. No. 0490)
314		1	*DECAL, Chute Rotation -(Included with Ref. No. 0490)

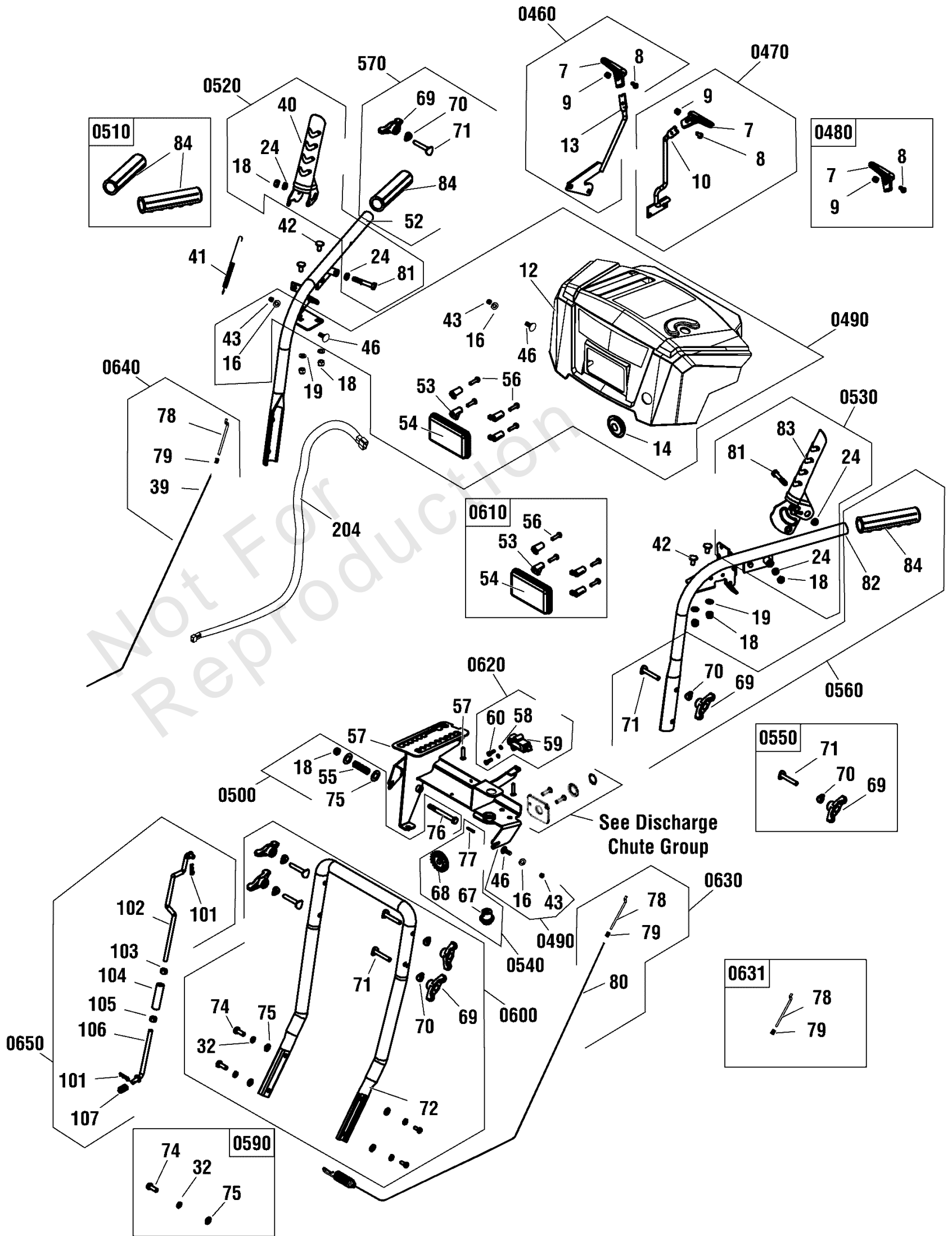
Footnotes:

Note:* Not a serviceable part.

Handles & Controls Group

Note: Unless noted otherwise, use the standard torque specifications

Mfg. No: 1696619-02



Handles & Controls Group

REF NO	PART NO	QTY	DESCRIPTION
0500	707507	1	KIT, Hardware, Speed & Discharge -(Incl. Ref. Nos. 18, 55, 75 & 76)
18		1	*NUT, Hex Head Lock, Non-metal -(Included with Ref. No. 0500)
55		1	*SPRING -(Included with Ref. No. 0500)
75		2	*WASHER, Flat -(Included with Ref. No. 0500)
76		1	*SCREW, Hex Head -(Included with Ref. No. 0500)
0510	770080	1	KIT, Grip, Handle -(Incl. Qty. 2 Ref. No. 84)
84		2	Grip -(Included with Ref. No. 0510)
0520	707509	1	KIT, Right Hand Lever, Traction Drive -(Incl. Ref. Nos. 18, 24, 40 & 81)
18		2	*NUT, Hex Head Lock, Non-metal -(Included with Ref. No. 0520)
24		1	*PAD, Small Tensioning Plate -(Included with Ref. No. 0520)
40		1	*LEVER, Traction Drive Engagement Lever -(Included with Ref. No. 0520)
81		1	*SCREW, Hex Head -(Included with Ref. No. 0520)
0530	707508	1	KIT, Left Hand Lever, Auger Drive -(Incl. Ref. Nos. 18, 24, 81 & 83)
18		1	*NUT, Hex Head Lock, Non-metal -(Included with Ref. No. 0530)
24		2	*PAD, Small Tensioning Plate -(Included with Ref. No. 0530)
81		1	*SCREW, Hex Head -(Included with Ref. No. 0530)
83		1	*LEVER, Auger Engagement -(Included with Ref. No. 0530)
0540	770070	1	KIT, Bevel Gear, Chute Rotation -(Incl. Ref. Nos. 68, 68 & 77)
67		1	*GEAR, Bevel -(Included with Ref. No. 0540)
68		1	*GEAR, Bevel, Turning -(Included with Ref. No. 0540)
77		1	*PIN, Spring -(Included with Ref. No. 0540)
0550	707513	1	KIT, Wing Knob, Handle -(Incl. Ref. Nos. 69, 70 & 71)
69		2	*KNOB, Handle -(Included with Ref. No. 0550)
70		2	*WASHER -(Included with Ref. No. 0550)
71		2	*BOLT -(Included with Ref. No. 0550)
0560	770075	1	KIT, Upper Handle, Left -(Incl. Ref. Nos. 69, 70, 71, 82 & 84)
69		2	*KNOB, Handle -(Included with Ref. No. 0560)
70		2	*WASHER -(Included with Ref. No. 0560)

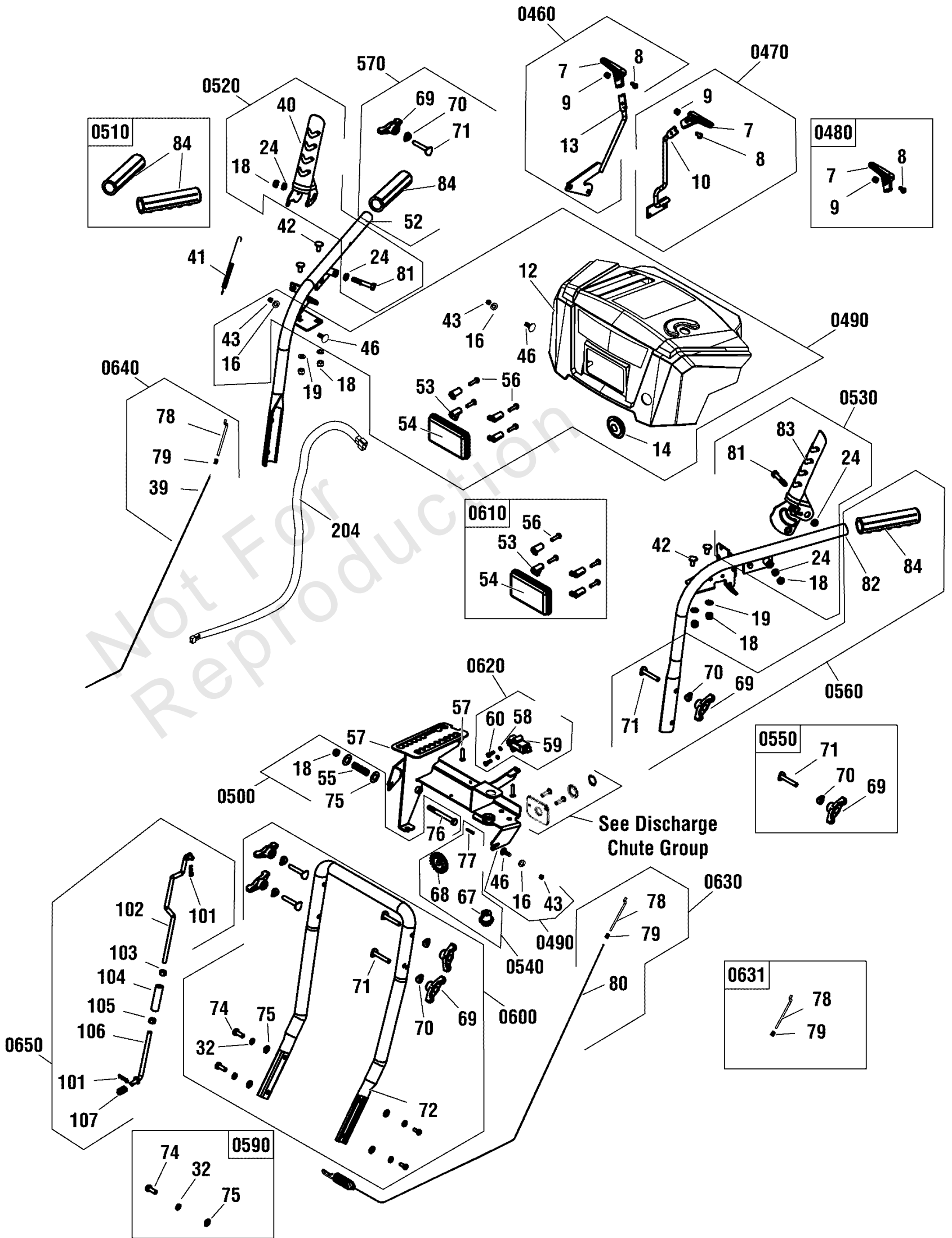
Footnotes:

Note:* Not a serviceable part.

Handles & Controls Group

Note: Unless noted otherwise, use the standard torque specifications

Mfg. No: 1696619-02



Handles & Controls Group

REF NO	PART NO	QTY	DESCRIPTION
71		2	*BOLT -(Included with Ref. No. 0560)
82		1	*HANDLE, Upper, Left -(Included with Ref. No. 0560)
84		1	*GRIP -(Included with Ref. No. 0560)
0570	770076	1	KIT, Upper Handle, Right -(Incl. Ref. Nos. 52, 69, 70, 71, & 84)
52		1	*HANDLE, Upper, Right -(Included with Ref. No. 0570)
69		2	*KNOB, Handle -(Included with Ref. No. 0570)
70		2	*WASHER -(Included with Ref. No. 0570)
71		2	*BOLT -(Included with Ref. No. 0570)
84		1	*GRIP -(Included with Ref. No. 0570)
0590	707517	1	KIT, Lower Handle Hardware -(Included with Ref. No. 0570)
32		4	*WASHER -(Incl. Ref. Nos. 32, 74 & 75)
74		4	*SCREW, Hex Head -(Included with Ref. No. 0590)
75		4	*WASHER, Flat -(Included with Ref. No. 0590)
0600	707518	1	KIT, Lower Handle -(Incl. Ref. Nos. 32, 69, 70, 71, 72, 74 & 75)
32		4	*WASHER -(Included with Ref. No. 0600)
69		4	*KNOB, Handle -(Included with Ref. No. 0600)
70		4	*WASHER -(Included with Ref. No. 0600)
71		4	*BOLT -(Included with Ref. No. 0600)
72		1	*HANDLE, Lower -(Included with Ref. No. 0600)
74		4	*SCREW, Hex Head -(Included with Ref. No. 0600)
75		4	*WASHER, Flat -(Included with Ref. No. 0600)
0610	707519	1	KIT, Headlight -(Incl. Ref. Nos. 32, 69, 70, 71, 72, 74 & 75)
53		4	*BUCKLE, Lamp -(Included with Ref. No. 0610)
54		1	*LAMP -(Included with Ref. No. 0610)
56		4	*BOLT, Phillips Head -(Included with Ref. No. 0610)
41	707877	1	SPRING, Handle
0620	707521	1	KIT, Free Hand Control Assembly -(Incl. Ref. Nos. 58, 59 & 60)
58		2	*WASHER, Spring -(Included with Ref. No. 0620)
59		1	*SELF-LOCK, Assembly -(Included with Ref. No. 0620)

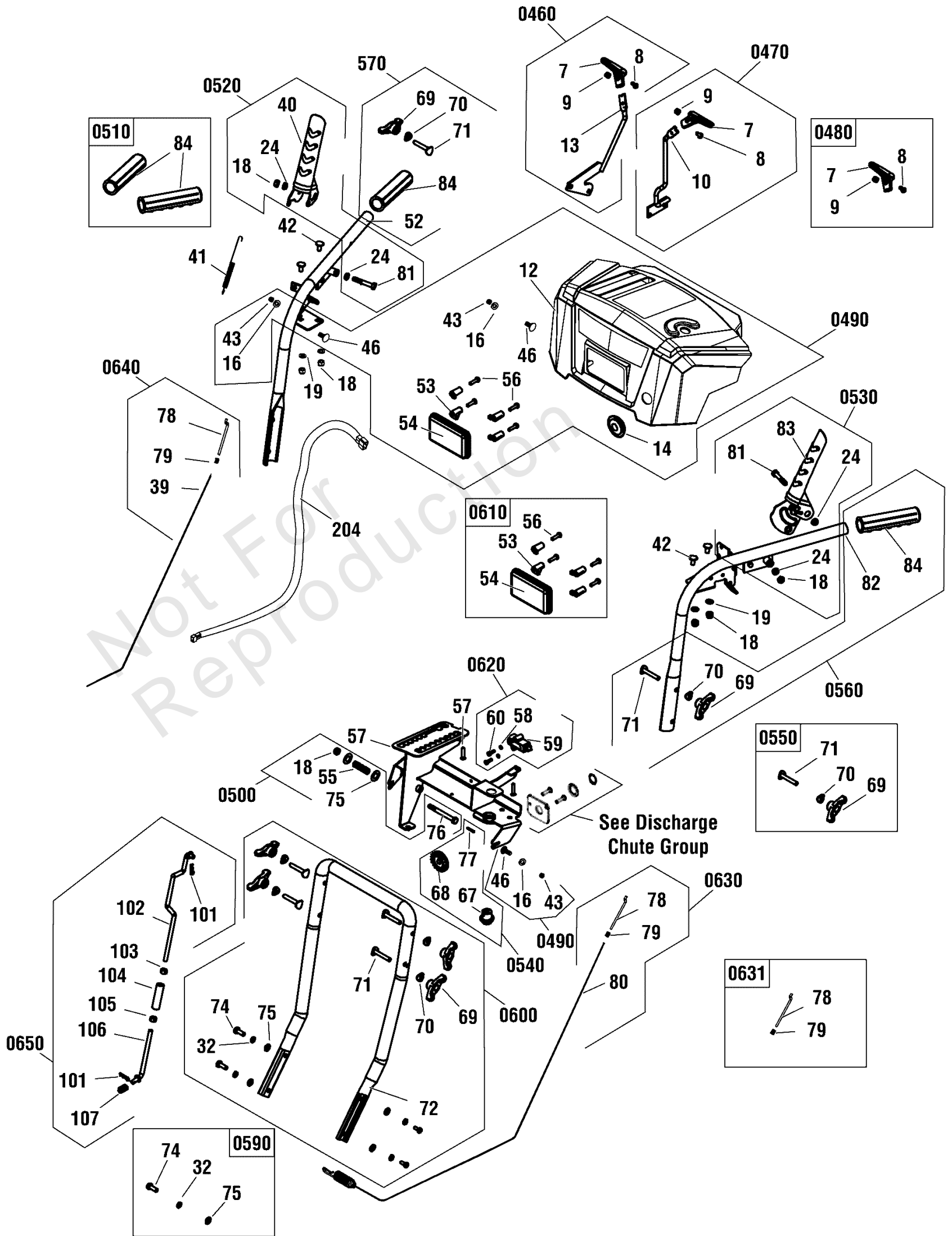
Footnotes:

Note:* Not a serviceable part.

Handles & Controls Group

Note: Unless noted otherwise, use the standard torque specifications

Mfg. No: 1696619-02



Handles & Controls Group

REF NO	PART NO	QTY	DESCRIPTION
60		2	*SCREW, Hex Head -(Included with Ref. No. 0620)
0630	707760	1	KIT, Cable, Auger Clutch -(Incl. Ref. Nos. 78, 79 & 80)
78		1	*ROD, Steel -(Included with Ref. No. 0630)
79		1	*NUT, Copper -(Included with Ref. No. 0630)
80		1	*CABLE, Auger -(Included with Ref. No. 0630)
0631	709758	1	KIT, Cable, Hardware -(Incl. Ref. Nos. 78 & 79)
78		1	*ROD, Steel -(Included with Ref. No. 0631)
79		1	*NUT, Copper -(Included with Ref. No. 0631)
0640	707761	1	KIT, Cable, Traction Drive -(Incl. Ref. Nos. 39, 78 & 79)
39		1	*ROD, Steel -(Included with Ref. No. 0640)
78		1	*ROD, Steel -(Included with Ref. No. 0640)
79		1	*NUT, Copper -(Included with Ref. No. 0640)
0650	707526	1	KIT, Transaction Drive Rod -(Incl. Ref. Nos. 101, 102, 103, 104, 105, 106 & 107)
101		2	*BOLT -(Included with Ref. No. 0650)
102		1	*ROD, Traction Drive -(Included with Ref. No. 0650)
103		1	*SCREW, Hex Head -(Included with Ref. No. 0650)
104		1	*ROD, Regulating Sleeve, Drive -(Included with Ref. No. 0650)
105		1	*NUT -(Included with Ref. No. 0650)
106		1	*ROD, Traction Drive -(Included with Ref. No. 0650)
107		1	*SPRING, Regulating -(Included with Ref. No. 0650)
57		1	*PANEL, Steel
18		4	*NUT, Hex Head Lock, Non-metal
19		4	*WASHER, Flat
42		4	*BOLT, Square Neck Cup Head
204	707637	1	HARNESS, Wiring

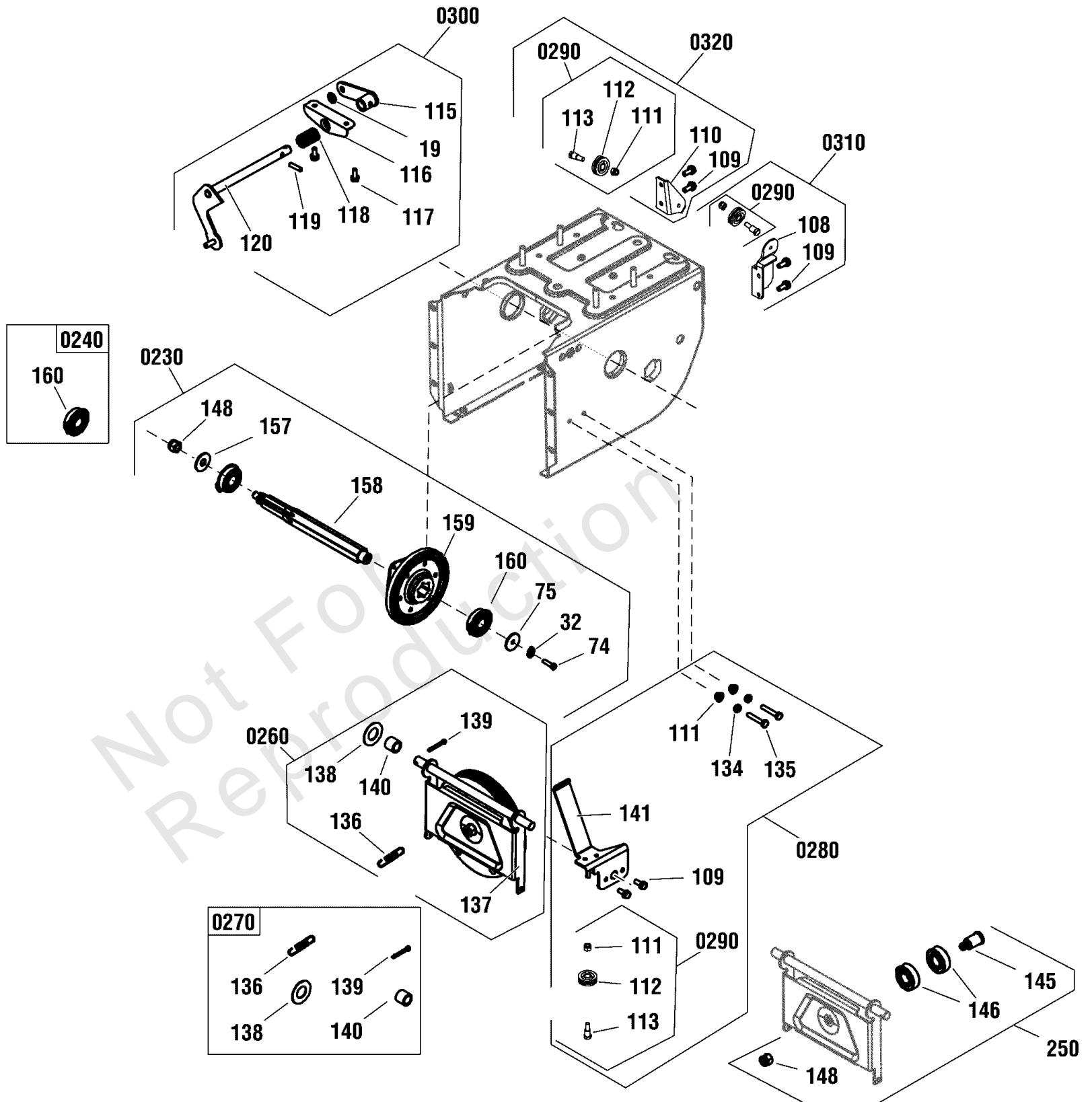
Footnotes:

Note:* Not a serviceable part.

Transaxle Drive Group

Note: Unless noted otherwise, use the standard torque specifications

Mfg. No: 1696619-02



Transaxle Drive Group

REF NO	PART NO	QTY	DESCRIPTION
0230	707535	1	KIT, Friction Wheel & Shaft -(Incl. Ref. Nos. 32, 74, 75, 148, 157, 158, 159 & 160)
32		1	*WASHER, Spring -(Included with Ref. No. 0230)
74		1	*SCREW, Hex Head -(Included with Ref. No. 0230)
75		1	*WASHER, Flat -(Included with Ref. No. 0230)
148		1	*NUT, Hex Head Lock, Non-metal -(Included with Ref. No. 0230)
157		1	*WASHER, Flat -(Included with Ref. No. 0230)
158		1	*SHAFT, Hexagonal Gear -(Included with Ref. No. 0230)
159	708080	1	WHEEL, Friction Assembly -(Included with Ref. No. 0230)
160		2	*BEARING, Ball, Deep Groove -(Included with Ref. No. 0230)
0240	707536	1	KIT, Bearing, Friction Wheel & Shaft -(Incl. Qty. 2 Ref. No. 160)
160		2	*BEARING, Ball, Deep Groove -(Included with Ref. No. 0240)
0250	707539	1	KIT, Bearing, Swinging Plate -(Incl. Ref. Nos. 145, 146 & 148)
145		1	*SHAFT, Drive Disk -(Included with Ref. No. 0250)
146		2	*BEARING, Ball, Deep Groove -(Included with Ref. No. 0250)
148		1	*NUT, Hex Head Lock, Non-metal -(Included with Ref. No. 0250)
0260	707540	1	KIT, Swinging Plate -(Incl. Ref. Nos. 136, 137, 138, 139 & 140)
136		1	*SPRING -(Included with Ref. No. 0260)
137		1	*PLATE, Swinging -(Included with Ref. No. 0260)
138		1	*WASHER, Flat -(Included with Ref. No. 0260)
139		1	*SPLITPIN -(Included with Ref. No. 0260)
140		1	*SLEEVE -(Included with Ref. No. 0260)
0270	707538	1	KIT, Spring, Swinging Plate -(Incl. Ref. Nos. 136, 138, 139 & 140)
136		1	*SPRING -(Included with Ref. No. 0270)
138		1	*WASHER, Flat -(Included with Ref. No. 0270)
139		1	*SPLITPIN -(Included with Ref. No. 0270)
140		1	*SLEEVE -(Included with Ref. No. 0270)
0280	770079	1	KIT, Belt Guide -(Incl. Ref. Nos. 109, 111, 112, 113, 134, 135 & 141)
109		2	*SCREW, Hex Head -(Included with Ref. No. 0280)

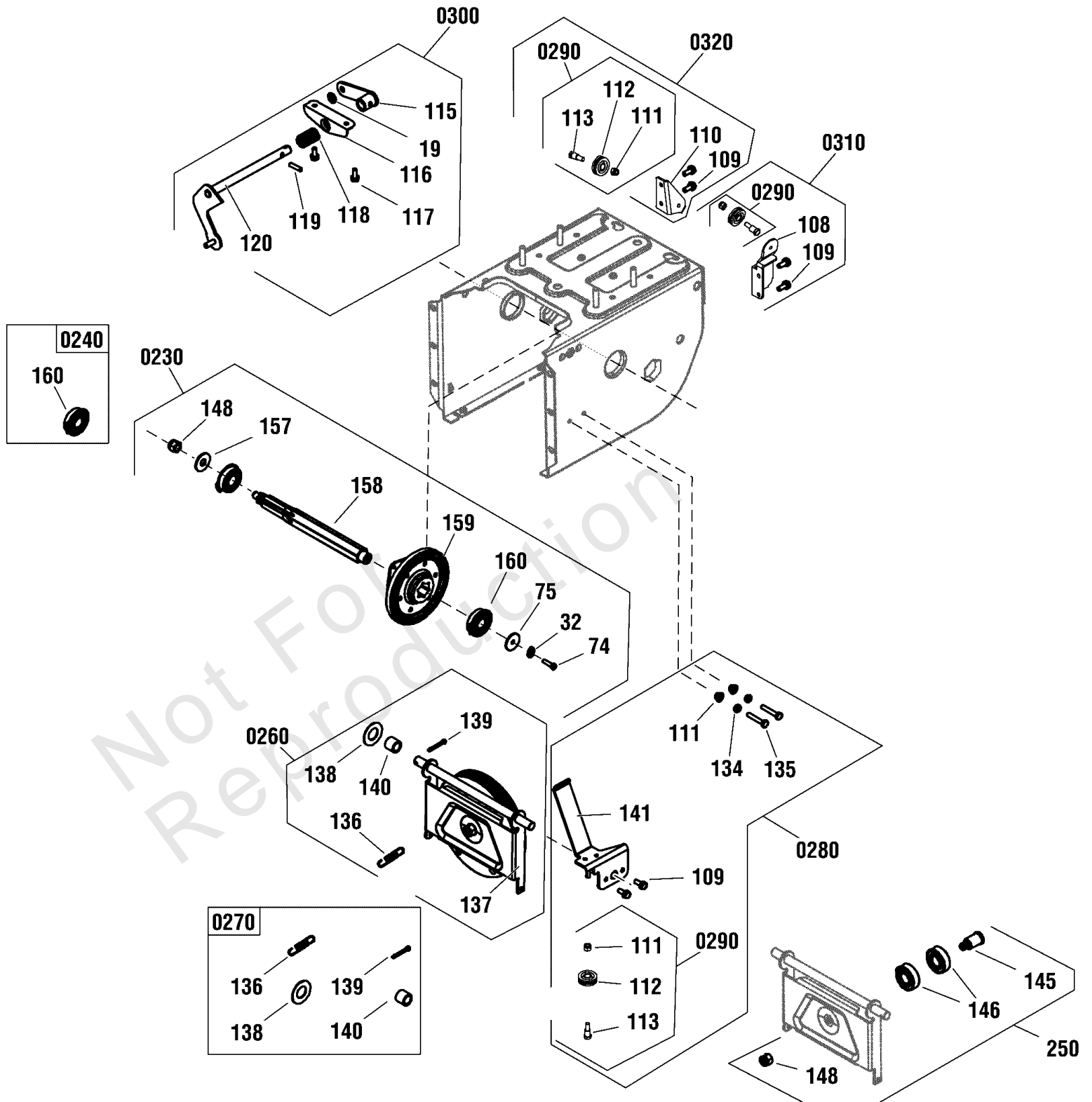
Footnotes:

Note:* Not a serviceable part.

Transaxle Drive Group

Note: Unless noted otherwise, use the standard torque specifications

Mfg. No: 1696619-02



Transaxle Drive Group

REF NO	PART NO	QTY	DESCRIPTION
111		3	*SCREW, Flange, Hex Head -(Included with Ref. No. 0280)
112		1	*PULLEY, Cable -(Included with Ref. No. 0280)
113		1	*BOLT -(Included with Ref. No. 0280)
134		2	*WASHER, Flat -(Included with Ref. No. 0280)
135		2	*SCREW, Hex Head -(Included with Ref. No. 0280)
141		1	*PLATE, Belt Pressing -(Included with Ref. No. 0280)
0290	707541	1	KIT, Pulley, Cable -(Incl. Ref. Nos. 111, 112 & 113)
111		1	*SCREW, Flange, Hex Head -(Included with Ref. No. 0290)
112		1	*PULLEY, Cable -(Included with Ref. No. 0290)
113		1	*BOLT -(Included with Ref. No. 0290)
0300	707527	1	KIT, Shift Rod -(Incl. Ref. Nos. 19, 115, 116, 117, 118, 119 & 120)
19		1	*WASHER, Flat -(Included with Ref. No. 0300)
115		1	*ARM, Shift Fork -(Included with Ref. No. 0300)
116		1	*BASE, Shift Fork -(Included with Ref. No. 0300)
117		2	*SCREW, Hex Head -(Included with Ref. No. 0300)
118		1	*SPRING, Regulating -(Included with Ref. No. 0300)
119		1	*PIN, Spring -(Included with Ref. No. 0300)
120		1	*FORK, Shift -(Included with Ref. No. 0300)
0310	707528	1	KIT, Cable Base, Auger Drive -(Incl. Ref. Nos. 108, 109, 111, 112 & 113)
108		1	*BASE, Cable -(Included with Ref. No. 0310)
109		2	*SCREW, Hex Head -(Included with Ref. No. 0310)
111		1	*SCREW, Flange, Hex Head -(Included with Ref. No. 0310)
112		1	*PULLEY, Cable -(Included with Ref. No. 0310)
113		1	*BOLT -(Included with Ref. No. 0310)
0320	707529	1	KIT, Cable Base, Traction Drive -(Incl. Ref. Nos. 109, 110, 111, 112 & 113)
109		2	*SCREW, Hex Head -(Included with Ref. No. 0320)
110		1	*PULLEY, Mounting Plate -(Included with Ref. No. 0320)
111		1	*SCREW, Flange, Hex Head -(Included with Ref. No. 0320)

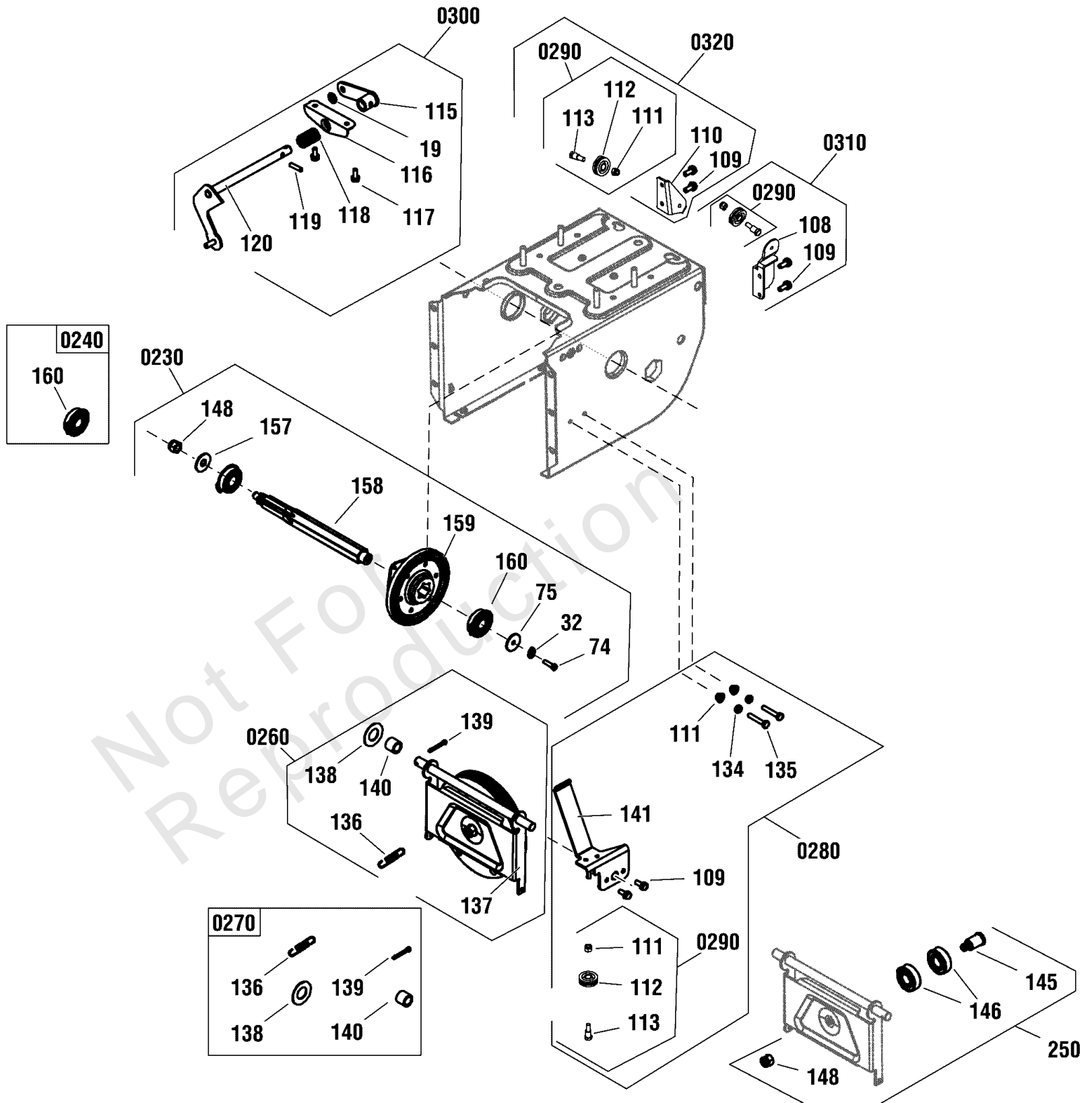
Footnotes:

Note:* Not a serviceable part.

Transaxle Drive Group

Note: Unless noted otherwise, use the standard torque specifications

Mfg. No: 1696619-02



Transaxle Drive Group

REF NO	PART NO	QTY	DESCRIPTION
112		1	*PULLEY, Cable -(Included with Ref. No. 0320)
113		1	*BOLT -(Included with Ref. No. 0320)
114		1	*BOX, Frame

Not For
Reproduction

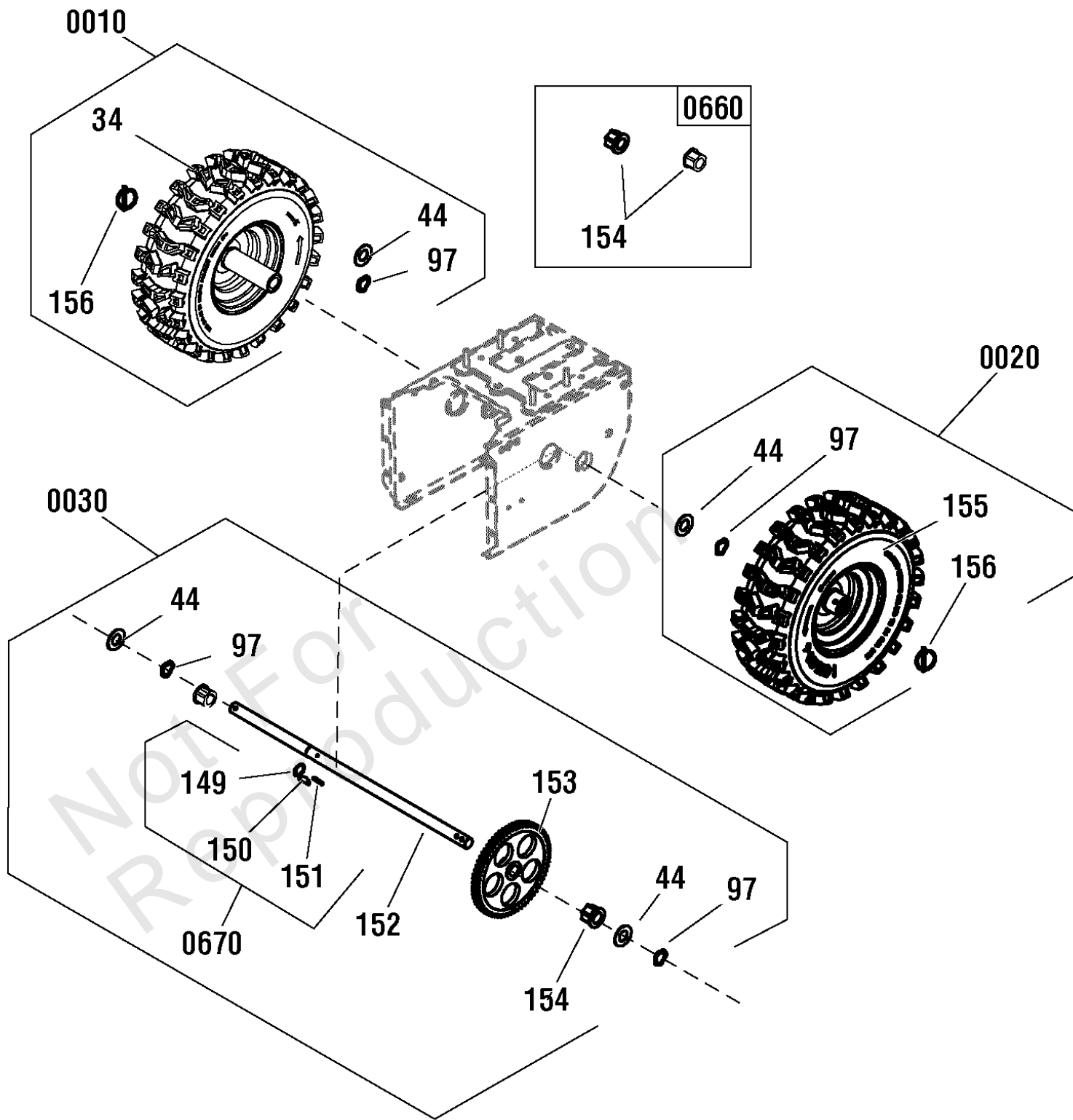
Footnotes:

Note:* Not a serviceable part.

Wheels & Tires Group

Note: Unless noted otherwise, use the standard torque specifications

Mfg. No: 1696619-02



Wheels & Tires Group

REF NO	PART NO	QTY	DESCRIPTION
0010	707534	1	KIT, Wheel & Tire, Right -(Incl. Ref. Nos. 34, 44, 97 & 156)
34		1	*TIRE, Assembly, Right -(Included with Ref. No. 0010)
44		1	*WASHER, Flat -(Included with Ref. No. 0010)
97		1	*GASKET, Corrugated -(Included with Ref. No. 0010)
156		1	*PIN, Klik -(Included with Ref. No. 0010)
0020	707533	1	KIT, Wheel & Tire, Left -(Incl. Ref. Nos. 44, 97, 155 & 156)
44		1	*WASHER, Flat -(Included with Ref. No. 0020)
97		1	*GASKET, Corrugated -(Included with Ref. No. 0020)
155		1	*TIRE, Assembly, Left -(Included with Ref. No. 0020)
156	709530	1	*PIN, Klik -(Included with Ref. No. 0020)
0030	770078	1	KIT, Axle & Sprocket -(Incl. Ref. Nos. 44, 97, 149, 150, 151, 152, 153 & 154)
44		2	*WASHER, Flat -(Included with Ref. No. 0030)
97		2	*GASKET, Corrugated -(Included with Ref. No. 0030)
149		1	*C-CLIP, Shaft -(Included with Ref. No. 0030 & 0670)
150		1	*KEY, Woodruff -(Included with Ref. No. 0030 & 0670)
151		1	*PIN, Spring -(Included with Ref. No. 0030 & 0670)
152		1	*SHAFT, Drive Wheel -(Included with Ref. No. 0030)
153		1	*GEAR, Drive -(Included with Ref. No. 0030)
154		2	*SLEEVE, Axle -(Included with Ref. No. 0030 & 0660)
0660	707532	1	KIT, Axle Sleeve -(Incl. Ref. Nos. 154)
154		2	*SLEEVE, Axle -(Included with Ref. No. 0030 & 0660)
0670	707530	1	KIT, Bearing Hardware, Axle -(Incl. Ref. Nos. 149, 150, & 151)
149		1	*C-CLIP, Shaft -(Included with Ref. No. 0030 & 0670)
150		1	*KEY, Woodruff -(Included with Ref. No. 0030 & 0670)
151		1	*PIN, Spring -(Included with Ref. No. 0030 & 0670)

Footnotes:

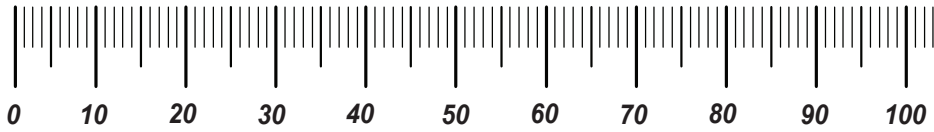
Note:* Not a serviceable part.

Hardware Identification & Torque Specifications

Torque Specification Chart								
FOR STANDARD METRIC MACHINE HARDWARE (Tolerance ± 20%)								
Property Class	5.6		8.8		10.9		12.9	
	Class 5.6		Class 8.8		Class 10.9		Class 12.9	
Size Of Hardware	in/lbs	Nm.	in/lbs	Nm.	in/lbs	Nm.	in/lbs	Nm.
	ft/lbs		ft/lbs		ft/lbs		ft/lbs	
M3	5.88	.56	13.44	1.28	19.2	1.80	22.92	2.15
M4	13.44	1.28	30.72	2.90	43.44	4.10	52.56	4.95
M5	26.4	2.50	60.96	5.75	5.97	8.10	7.15	9.7
M6	44.64	4.3	7.3	9.9	10.3	14	12.1	16.5
M7	5.2	7.1	12.1	16.5	16.9	23	19.9	27
M8	7.7	10.5	17.7	24	25	34	29	40
M10	15	21	35	48	50	67	59	81
M12	26	36	61	83	86.2	117	103	140
M14	42	58	101	132	136	185	162	220
M16	64	88	147	200	210	285	250	340
M18	89	121	202	275	287	390	346	470
M20	126	171	290	390	405	550	486	660
M22	169	230	390	530	559	745	656	890
M24	217	295	497	375	708	960	840	1140
M27	320	435	733	995	1032	1400	1239	1680
M30	435	590	995	1350	1401	1900	1681	2280
M33	590	800	1349	1830	1902	2580	2278	3090
M36	759	1030	1740	2360	2441	3310	2935	3980
M39	988	1340	2249	3050	3163	4290	3798	5150

Torque Specification Chart						
FOR STANDARD MACHINE HARDWARE (Tolerance ± 20%)						
Hardware Grade	No Marks		SAE Grade 5		SAE Grade 8	
	SAE Grade 2		SAE Grade 5		SAE Grade 8	
Size Of Hardware	in/lbs	Nm.	in/lbs	Nm.	in/lbs	Nm.
	ft/lbs		ft/lbs		ft/lbs	
8-32	19	2.1	30	3.4	41	4.6
8-36	20	2.3	31	3.5	43	4.9
10-24	27	3.1	43	4.9	60	6.8
10-32	31	3.5	49	5.5	68	7.7
1/4-20	66	7.6	8	10.9	12	16.3
1/4-28	76	8.6	10	13.6	14	19.0
5/16-18	11	15.0	17	23.1	25	34.0
5/16-24	12	16.3	19	25.8	29	34.0
3/8-16	20	27.2	30	40.8	45	61.2
3/8-24	23	31.3	35	47.6	50	68.0
7/16-14	30	40.8	50	68.0	70	95.2
7/16-20	35	47.6	55	74.8	80	108.8
1/2-13	50	68.0	75	102.0	110	149.6
1/2-20	55	74.8	90	122.4	120	163.2
9/16-12	65	88.4	110	149.6	150	204.0
9/16-18	75	102.0	120	163.2	170	231.2
5/8-11	90	122.4	150	204.0	220	299.2
5/8-18	100	136	180	244.8	240	326.4
3/4-10	160	217.6	260	353.6	386	525.0
3/4-16	180	244.8	300	408.0	420	571.2
7/8-9	140	190.4	400	544.0	600	816.0
7/8-14	155	210.8	440	598.4	660	897.6
1-8	220	299.2	580	788.8	900	1,244.0
1-12	240	326.4	640	870.4	1,000	1,360.0

The guides and ruler furnished below are designed to help you select the appropriate hardware.

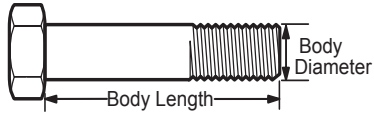


Nut, M8

Thread Diameter (mm)

Inside Diameter (in) Threads per inch

Nut, 1/2-16

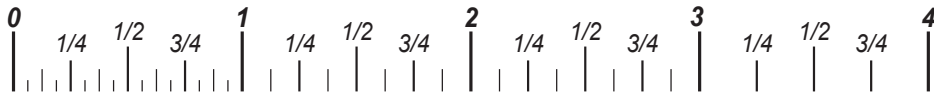


Screw, M8- 1.25 x 25

Thread Diameter (mm) Distance between threads (mm) Body Length (mm)

Body Diameter Threads per inch Body Length (in)

Screw, 1/2- 16 x 2



Standard Hardware Sizing

When a washer or nut is identified as 1/2" (M8), this is the *Nominal size*, meaning the *inside diameter* is 1/2 inch (8mm metric thread diameter); if a second number is present it represents the *threads per inch* (distance between threads).

When bolt or capscrew is identified as 1/2 - 16 x 2" (M8 - 1.25 x 50), this means the *Nominal size*, or body diameter is 1/2 inch (8mm metric thread diameter), the second number, 16, represents the *threads per inch*, (*distance between threads*). The final number is the body length of the bolt or screw, 2 inches (50mm).

NOTES

- These torque values are to be used for all hardware excluding: locknuts, self-tapping screws, thread forming screws, sheet metal screws and socket head setscrews.
- Recommended seating torque values for locknuts:
 - for prevailing torque locknuts - use 65% of grade 5 torques.
 - for flange whizlock nuts and screws - use 135% of grade 5 torques.
- Unless otherwise noted on assembly drawings, all torque values must meet this specification.

Common Hardware Types

Hex Head Capscrew



Washer



Carriage Bolt



Hex Nut

Wrench & Fastener Size Guide

1/4" Bolt or Nut Wrench—7/16"	5/16" Bolt or Nut Wrench—1/2"	3/8" Bolt or Nut Wrench—9/16"	7/16" Bolt or Nut Wrench (Bolt)—5/8" Wrench (Nut)—11/16"	1/2" Bolt or Nut Wrench—3/4"
M6 Bolt or Nut Wrench—10mm	M8 Bolt or Nut Wrench—13mm	M10 Bolt or Nut Wrench—17mm	M12 Bolt or Nut Wrench—19mm	M14 Bolt or Nut Wrench—22mm



Free Manuals Download Website

<http://myh66.com>

<http://usermanuals.us>

<http://www.somanuals.com>

<http://www.4manuals.cc>

<http://www.manual-lib.com>

<http://www.404manual.com>

<http://www.luxmanual.com>

<http://aubethermostatmanual.com>

Golf course search by state

<http://golfingnear.com>

Email search by domain

<http://emailbydomain.com>

Auto manuals search

<http://auto.somanuals.com>

TV manuals search

<http://tv.somanuals.com>