



Model CAR2020 Card Reader

User Manual



Thank you for purchasing the Califone® Model CAR2020 Card Reader.

We encourage you to visit our website www.califone.com to register your product for its warranty coverage, to sign up to receive our newsletter, download our catalog, and learn more about the complete line of Califone® audio visual products, including portable and installed wireless PA systems, multimedia players and recorders, headphones and headsets, computer peripheral equipment, visual presentation products and language learning materials.

1. IMPORTANT SAFETY INSTRUCTIONS

Before using this product, read the instruction manual for important safety information. Please retain this manual for future reference and warranty information.

Troubleshooting & Servicing

Do not attempt to service or repair the device yourself. Refer all servicing to qualified service personnel. Do not attempt to modify the device in any way. Doing so could invalidate your warranty.

Moisture and heat sources

Do not use this apparatus near water (for example, sinks, baths, pools) or expose it to rain, moisture, dripping or splashing liquids. Do not expose the unit to high temperatures, high humidity or direct sunlight.

Cleaning

When cleaning the device, please use a soft, dry cloth. Never use benzene, paint-thinner, or other chemicals on the device.

Location

Place the device in stable location, so it will not fall causing damage to the device or bodily harm.

Intended use

The product may only be used with the original parts intended for it. The product may only be used in closed and dry rooms. The intended use includes adherence to the specified installation instructions. The manufacturer accepts no liability for damage arising due to improper use.

WARNING: Changes or modifications to this unit not expressly approved by the party responsible for compliance could void the user's authority to operate the equipment.

IMPORTANT

This device complies with Part 15 of the FCC Rules. Operation is subject to the following two conditions:

(1) This device may not cause harmful interference, and (2) this device must accept any interference received, including interference that may cause undesired operation.

The unit's circuitry may cause interference to nearby radios. To prevent interference, either switch the unit off or move away from the affected radio.

NOTE: This equipment has been tested and found to comply within the limits for a class B digital device, pursuant to Part 15 of the FCC Rules. These limits are designed to provide reasonable protection against harmful interference in a residential installation. This equipment generates, uses and can radiate radio frequency energy and, if not installed and used in accordance with the instructions, may cause harmful interference to radio communications. However, there is no guarantee that interference will not occur in a particular installation. If this equipment does cause harmful interference to radio or television reception, which can be determined by turning the equipment off and on, the user is encouraged to try to correct the interference by one or more of the following measures:

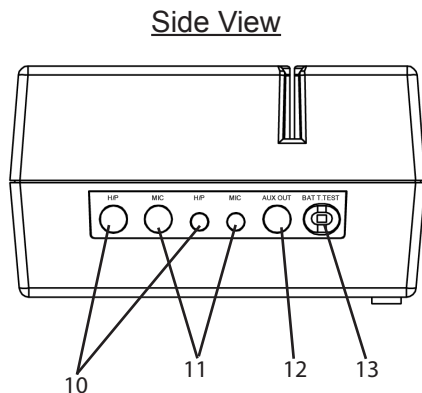
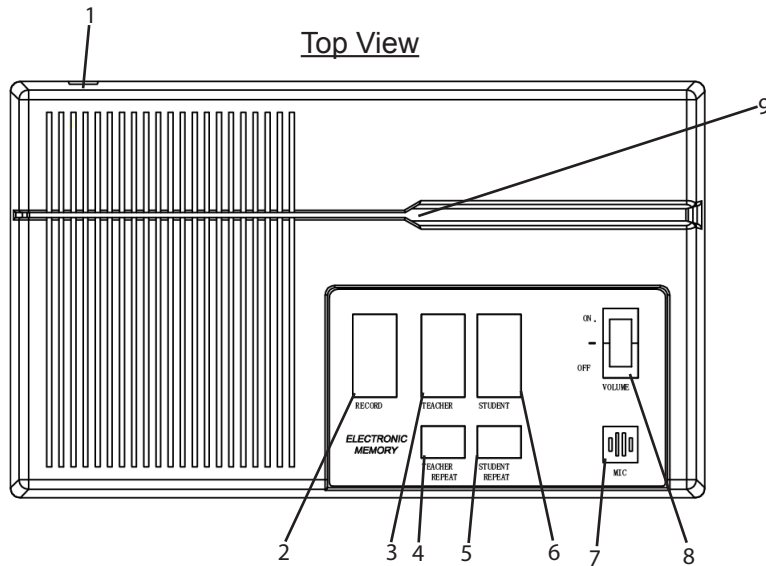
- Reorient or relocate the receiving antenna.
- Increase the separation between the equipment and receiver.
- Connect the equipment into an outlet on a circuit different from that to which the receiver is connected.
- Consult the dealer or an experienced radio / TV technician for help.

NOTE: Shielded cables may be required to be used with this unit to ensure compliance with the Class B FCC limits.

2. PACKAGE CONTENTS

- CAR2020 Card Reader
- Dust Cover
- Power Adapter
- User Manual

3. PART NAMES AND FUNCTIONS



califone.com

1. DC Input Jack
2. Record Key
3. Teacher Track Key
4. Teacher Repeat Button
5. Student Repeat Button
6. Student Track Key
7. Built-in Microphone
8. On/Off/Volume Control
9. Magnetic Card Slot
10. Headphone Jacks (1/4", 3.5mm)
11. Microphone Jacks (1/4", 3.5mm)
12. Aux Output (1/4")
13. Battery Check Button

4. SETUP AND INSTALLATION

4.1 AC OPERATION

1. Ensure the unit is off. To turn off the unit, adjust the On/Off/Volume control to the OFF position.
2. Before operation please be sure that the voltage on the power adapter corresponds to the AC voltage of your local area. Unravel the AC Line Cord, insert one end into the DC input jack on the unit and the other end into a standard AC outlet.

4.2 BATTERY OPERATION

1. Ensure the unit is off. To turn off the unit, adjust the On/Off/Volume control to the OFF position.
2. **IMPORTANT: Disconnect the power adapter from the AC main power.**
3. Open the BATTERY COMPARTMENT DOOR and insert four C (UM-2) size batteries (not included) making sure that the indicated battery polarity is observed.
4. Batteries can be tested by pressing the Battery Check Button. When the batteries are in good condition, the LED will light red. If it does not light, the batteries should be replaced.

4.3 CONNECTING HEADPHONES

1. Decrease the volume to minimum.
2. Connect the headphones to one of the H/P jacks.
3. Increase the volume to the desired listening level.

CAUTION: Avoid excessive volume for long periods of time as this can result in hearing damage.

califone.com

5. BASIC OPERATION

5.1 RECORDING THE TEACHER TRACK ONTO A MAGNETIC CARD

1. Slide the Teacher Record switch, located in the battery compartment to the Unlock position.
2. Depress the Teacher Track Key.
3. Depress and hold down the Record Key.
4. With the other hand, insert a magnetic card with the magnetic strip facing you into the right side of the Card Slot.
5. Sit in a normal upright position with the card reader on a flat surface in front of you.
6. Push the magnetic card toward the Card Start Position Arrow.
7. Lean slightly forward and direct your voice towards the built-in microphone. When the card reader activates and the magnetic card begins to move, speak in a clear quiet voice. If you are using a headphone with attached boom microphone, speak into the boom microphone in a clear quiet voice.
8. If you wish to review the recording, reinsert the magnetic card into the Card Slot or press the Teacher Repeat Button.
9. Reset the Teacher Record switch to the Lock position.

NOTES:

- Any previously recorded Teacher Track is automatically erased when a new Teacher Track is recorded.
- When recording, hold the Record Key down until the magnetic card stops moving through the unit.
- A boom microphone headset should be used to achieve the best recording results.

5.2 LISTENING TO THE TEACHER TRACK

1. Depress the Teacher Track Key.
2. Set the Volume Knob between 4 and 6.
3. Insert a magnetic card with the magnetic strip facing you into the right side of the Card Slot.
4. Push the magnetic card toward the Card Start Position Arrow until the card reader activates and the magnetic card begins to move.
5. The magnetic card will automatically stop after passing the record head and the transport mechanism will automatically shut off.
6. If you wish to review the recording, reinsert the magnetic card into the Card Slot or press the Teacher Repeat Button.

5.3 RECORDING THE STUDENT TRACK ONTO A MAGNETIC CARD

1. Depress the Student Track Key.
2. Depress and hold down the Record Key.
3. With the other hand, insert a magnetic card with the magnetic strip facing you into the right side of the Card Slot.
4. Sit in a normal upright position with the card reader on a flat surface in front of you.
5. Push the magnetic card toward the Card Start Position Arrow.
6. Lean slightly forward and direct your voice towards the built-in microphone. When the card reader activates and the magnetic card begins to move, speak in a clear quiet voice. If you are using a headphone with attached boom microphone, speak into the boom microphone in a clear quiet voice.
7. If you wish to review the recording, reinsert the magnetic card into the Card Slot or press the Student Repeat Button.
8. Reset the Teacher Record switch to the Lock position.

NOTES:

- Any previously recorded Student Track is automatically erased when a new Student Track is recorded.
- When recording, hold the Record Key down until the magnetic card stops moving through the unit.
- A boom microphone headset should be used to achieve the best recording results.

5.4 LISTENING TO THE STUDENT TRACK

1. Depress the Student Track Key.
2. Set the Volume Knob between 4 and 6.
3. Insert a magnetic card with the magnetic strip facing you into the right side of the Card Slot.
4. Push the magnetic card toward the Card Start Position Arrow until the card reader activates and the magnetic card begins to move.
5. The magnetic card will automatically stop after passing the record head and the transport mechanism will automatically shut off.
6. If you wish to review the recording, reinsert the magnetic card into the Card Slot or press the Student Repeat Button.

5.5 USING THE INTERNAL RECORDING MEMORY

There are three different ways to retain a recording on the Internal Memory.

Student Track

1. Follow the directions for Recording on the Student Track. Press the Student Repeat Button to replay the recording.
2. Follow the directions for Listening to the Student Track. Press the Student Repeat Button to replay the recording.
3. Depress the Student Track Key. Hold down the Record Key and speak into the internal or an external microphone. Release the Record Key and press the Student Repeat Button to replay the recording. The Internal Memory will record for a maximum of twelve seconds.

NOTES:

- The Internal Memory retains the recorded information until another recording is made or until the card reader is turned off.
- The duration of the Electronic Memory is twelve seconds maximum.
- The Electronic Memory will not playback while a card is moving through the mechanism.

Teacher Track

1. Follow instructions for Recording and Listening to the teacher track. Make sure the Teacher Record switch located in the battery compartment is in the "Unlock" position.

5.6 MAINTENANCE

1. To protect the card reader from dirt and dust, use the included dust cover.
2. After approximately 2,000 passes of the taped cards or if the sound quality has deteriorated due to the accumulation of dust, the card reader heads should be cleaned. Fold a piece of blank copy machine paper so that it is the approximate thickness of a magnetic card. Apply isopropyl (rubbing) alcohol until the paper is just wet. Run the paper through the card reader as you would a normal magnetic card. Repeat several times. Proper maintenance will add many hours of quality performance to your equipment.

CAUTION: DO NOT scrape the head surface with hard, sharp or abrasive objects. This will permanently damage the heads.

6. TROUBLESHOOTING

No Sound /Low Volume	<ul style="list-style-type: none">• Ensure the power is connected and the volume control is up.
----------------------	---

7. SPECIFICATIONS & FEATURES

Power Requirements	4 "C" size alkaline batteries OR 110-240VAC -> 12VDC/1A power adapter (included)
Power Output	2 Watts
Microphone	Built-in Electret
Output Jacks	2 Headphone (1/4", 3.5mm), Aux 1/4"
Input Jacks	2 Microphone (1/4", 3.5mm)
Internal Recording Memory	12 seconds
Product Dimensions	11.25" x 6.75" x 3.75"
Product Weight (incl. accessories)	3 lbs 2 oz

8. WARRANTY

Califone warrants this product to be free from defective material and workmanship for one year from the purchase date. Our "Project Intercept" Customer Satisfaction program will replace defective parts and repair malfunctioning equipment under this warranty when the defect occurs under normal use.

All Damage Claims Must Be Made With the Freight Carrier

Notify the freight carrier immediately if you observe any damage to the shipping carton or product. Repack the unit in the carton and await inspection by the carrier's claim agent. Notify your dealer of the pending freight claim.

Returning Your Unit for Service or Repairs

Should your unit require service, contact our Customer Service Department online at califone.com/techsupport or via email warranty@califone.com or by phone at 800-722-0500 / 818-407-2400 to first obtain an RA (Return Authorization) number before returning it to Califone. The unit must be returned to our factory via prepaid transportation only after the factory issues an RA number, which must be clearly written on the outside of the box.

Califone® International, Inc.
1145 Arroyo Avenue, #A
San Fernando, CA 91340 USA
Toll Free 800.722.0500 | Toll Free Fax 877.402.2248
International Customers call 818.407.2400 or Fax 818.407.2405
califone.com

Free Manuals Download Website

<http://myh66.com>

<http://usermanuals.us>

<http://www.somanuals.com>

<http://www.4manuals.cc>

<http://www.manual-lib.com>

<http://www.404manual.com>

<http://www.luxmanual.com>

<http://aubethermostatmanual.com>

Golf course search by state

<http://golfingnear.com>

Email search by domain

<http://emailbydomain.com>

Auto manuals search

<http://auto.somanuals.com>

TV manuals search

<http://tv.somanuals.com>