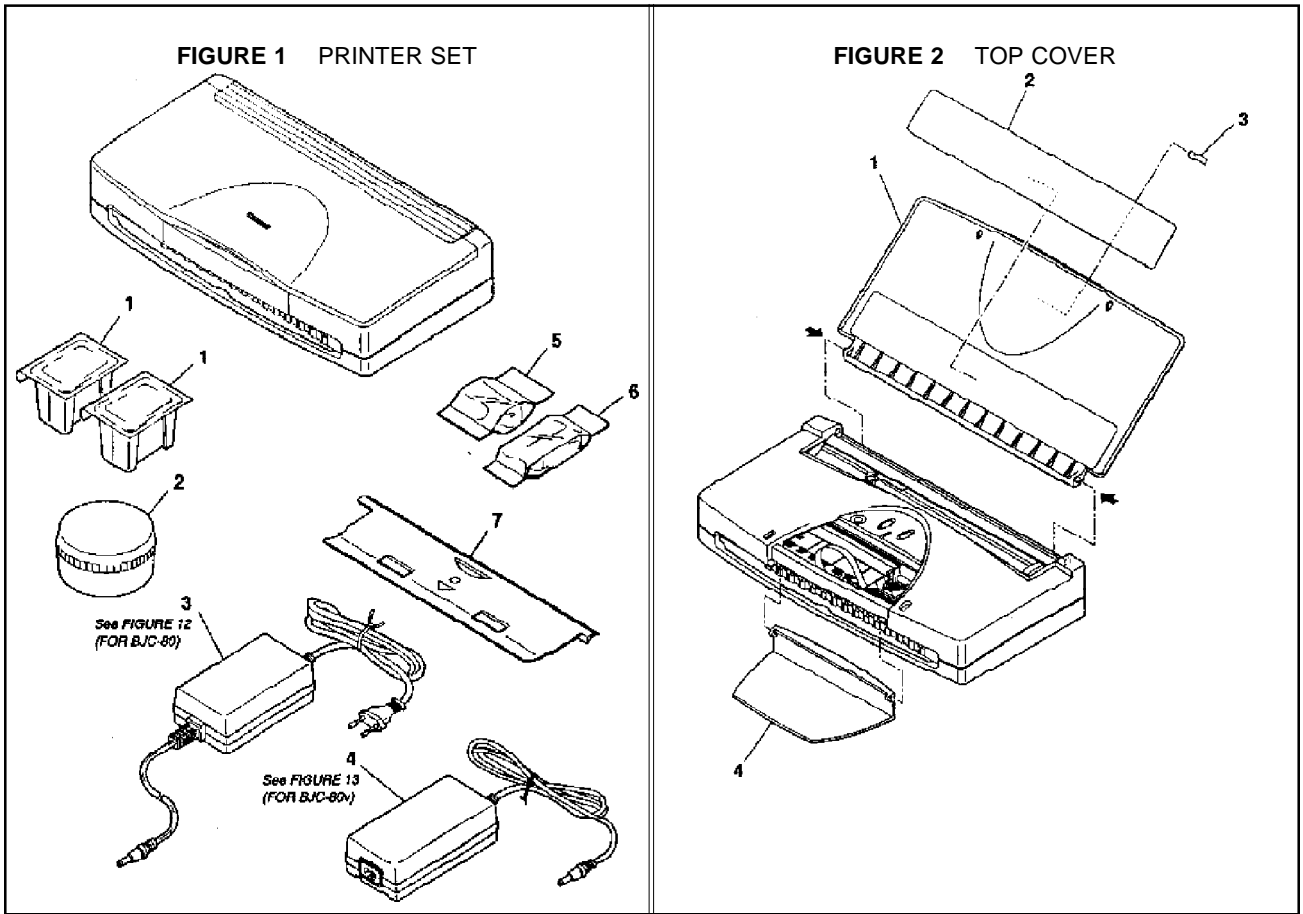
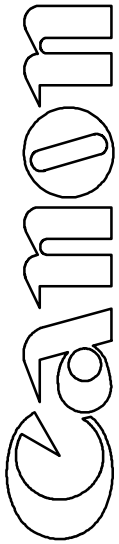


BJC-80

**PARTS
CATALOG**

Canon



NUM.	PART #	DESCRIPTION	NUM.	PART #	DESCRIPTION
1-1	NPN	BLACK BJ CARTRIDGE PACK	2-1	QB1-2997-000	COVER, TOP (B)
2	NPN	CARTRIDGE CANTAINER	2	QB1-3011-000	LABEL, INSTRUCTION (FOR BJC-80)
3	QH3-3235-000	AC ADAPTOR: 100V 50/60HZ, JPN OUTPUT 13VDC, 1.8A		QB1-3012-000	LABEL, INSTRUCTION (FOR BJC-80V)
	QH3-3236-000	AC ADAPTOR: 120V 60HZ OUTPUT 13VDC, 1.8A	3	QS5-8266-000	PLATE, CANON LOGO
	QH3-3237-000	AC ADAPTOR: 220-240V 50HZ OUTPUT 13VDC, 1.8A	4	QB1-2998-000	COVER, INNER (B) (FOR BJC-80)
	QH3-3238-000	AC ADAPTOR: 240V 50HZ, UK OUTPUT 13VDC, 1.8A		QB1-2999-000	COVER, INNER (B) (FOR BJC-80V)
	QH3-3239-000	AC ADAPTOR: 240V 50HZ, AUS OUTPUT 13VDC, 1.8A			
4	QH3-3787-000	AC ADAPTOR: 100V 50/60HZ, JPN OUTPUT 13VDC, 1.8A			
	QH3-3788-000	AC ADAPTOR: 100V 50/60HZ, JPN OUTPUT 13VDC, 1.8A			
5	NPN	COLOR INK CARTRIDGE			
6	NPN	BLACK INK CARTRIDGE			
7	QF5-0256-000	PICK-UP SUPPORT ASS'Y			

FIGURE 3 UPPER COVER

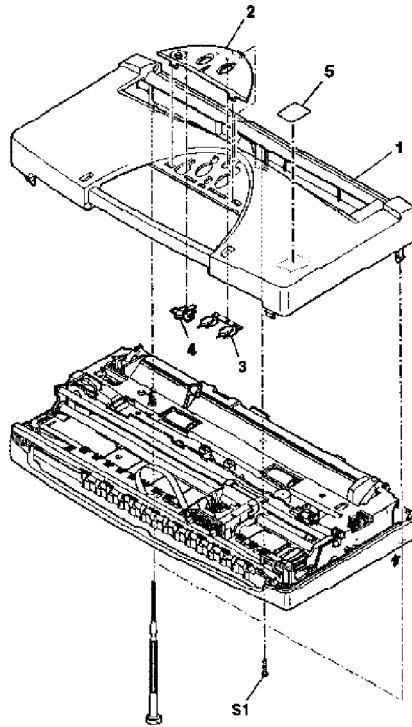
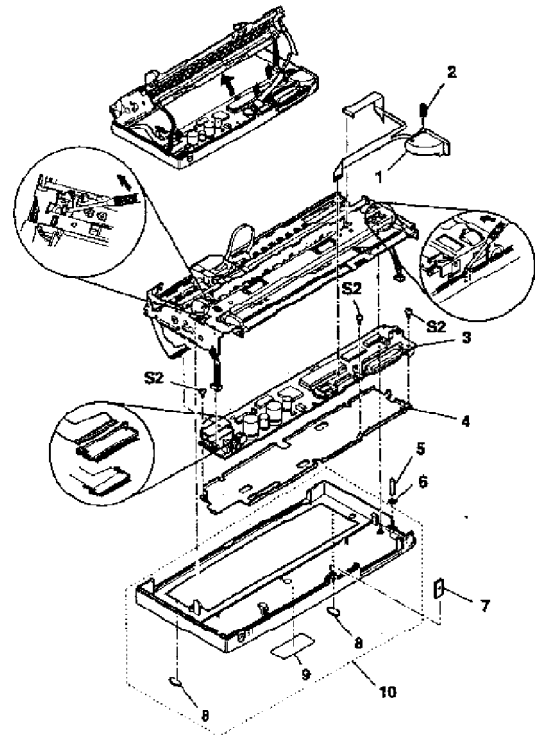


FIGURE 4 CONTROL BOARD & LOWER COVER



NUM.	PART #	DESCRIPTION	NUM.	PART #	DESCRIPTION
3-1	QB1-2995-000	COVER, UPPER	4-1	QG5-0989-000	IRDA UNIT
2	QB1-3000-000	COVER, PANEL (FOR BJC-80)	2	QB1-3006-000	SPRING, IR
	QB1-3010-000	COVER, PANEL (FOR BJC-80V)	3	QG2-2921-000	CONTROL PCB ASS'Y (FOR BJC-80)
3	QB1-3001-000	SWITCH, PANEL		QG2-2922-000	CONTROL PCB ASS'Y (FOR BJC-80V)
4	QB1-3009-000	SWITCH, CARTRIDGE	4	QB1-3008-000	PLATE, SHIELD
5	QB1-1333-000	LABEL, COLOR BUBBLE JET (B)	5	QB1-3005-000	SHAFT, IR
			6	QB1-3013-000	O RING
			7	QB1-1136-000	PLATE, ROCK
			8	QB1-1135-000	FOOT, RUBBER (B) (QTY' 2)
			9	QB1-1125-000	LABEL, LOWER COVER (B) (FOR BJC-80)
				QB1-1780-000	LABEL, LOWER COVER (B) (FOR BJC-80V)
			10	QF5-0305-000	LOWER COVER UNIT (FOR BJC-80)
				QF5-0306-000	LOWER COVER UNIT (FOR BJC-80V)

FIGURE 5 IRDA UNIT

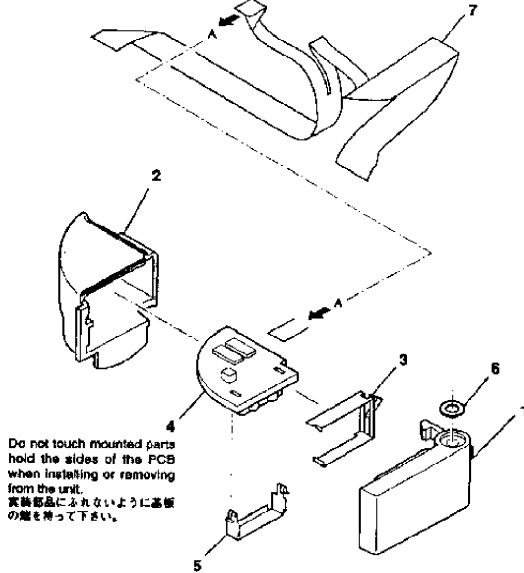
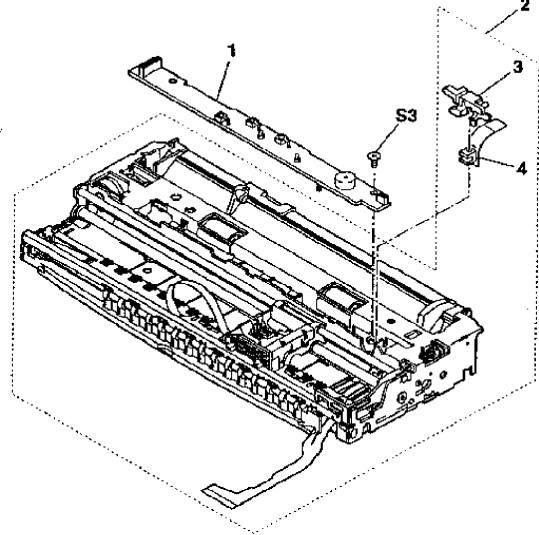


FIGURE 6 PANEL BOARD & CHASSIS PLATEN UNIT



NUM.	PART #	DESCRIPTION	NUM.	PART #	DESCRIPTION
5-1	NPN	FILTER, IR	6-1	QG2-2923-000	PANEL, BOARD UNIT
2	NPN	CASE, IR	2	QG5-0985-000	CHASSIS PLATEN UNIT, D (FOR BJC-80)
3	NPN	PLATE, SHIELD IR		QG5-1057-000	CHASSIS PLATEN UNIT, DJ (FOR BJC-80V)
4	QH7-8864-000	IR MODULE UNIT	3	QB1-1055-000	HOLDER, SENSOR
5	QB1-3015-000	IR PROTECTION	4	QH8-8794-000	PHOTO MICRO SENSOR (WITH CABLE)
6	QB1-3007-000	WASHER, IR			NOT SHOWN
7	QH1-1487-000	CABLE, FLAT	5	QB1-4458-000	BUSHING, LEFT
			6	QB1-1058-000	CLIP, BUSHING

FIGURE 7 ASF UNIT

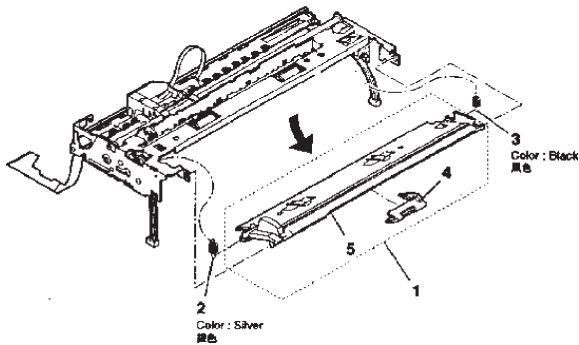
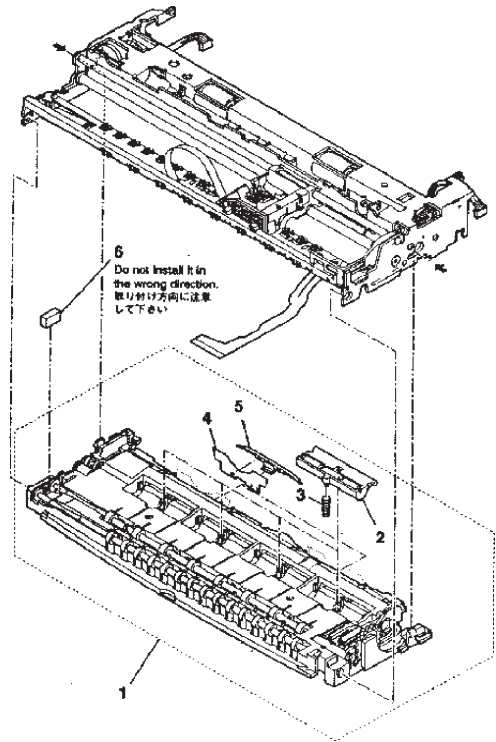


FIGURE 8 PURGE & WASTE INK ABSORBER PARTS

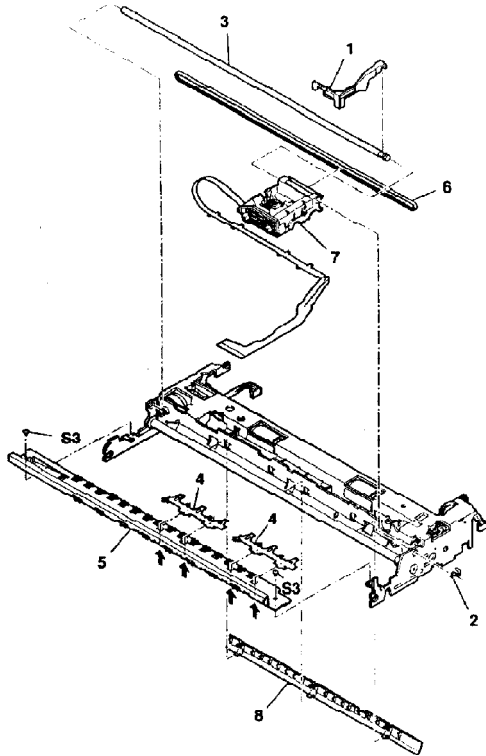


NUM.	PART #	DESCRIPTION
7-1	QG5-0716-000	PAPER LIFTING PLATE UNIT
2	QB1-1064-000	SPRING, COIL
3	QB1-1083-000	SPRING, COIL
4	QB1-1084-000	GUIDE, PAPER
5	QF5-0253-000	PAPER LIFTING PLATE ASS'Y

NUM.	PART #	DESCRIPTION
8-1	QG5-0991-000	PRINTER BASE UNIT (WITH INK ABSORBER)
	QY5-0121-000	ABSORBER KIT*
2	QG5-0990-000	PINCH ROLLER UNIT (QTY: 4)
3	QB1-2349-000	SPRING, COIL (QTY: 4)
4	QB1-2350-000	SEPERATION SHEET (QTY: 2)
5	QB1-2124-000	RETAINER (QTY: 2)
6	QB1-2122-000	PAD

* ABSORBER KIT INCLUDES:
 - WASTE INK ABSORBER SHEETS A, B, C AND D
 - CYLINDER ABSORBER
 - ABSORBER SEAL (WITH TAPE)

FIGURE 9 CARRIAGE PART



NUM.	PART #	DESCRIPTION	NUM.	PART #	DESCRIPTION
9-1	QB1-1106-000	ARM, ROCK			
2	QB1-1051-000	STOPPER			
3	QB1-1050-000	SHAFT, CARRIAGE GUIDE			
4	NPN	HOLDER, CARRIAGE RIBBON CABLE (QTY: 2)			
5	NPN	GUIDE RAIL, UNIT			
6	NPN	BELT, CARRIAGE			
7	NPN	CARRIAGE UNIT			
8	NPN	GUIDE, R			

Free Manuals Download Website

<http://myh66.com>

<http://usermanuals.us>

<http://www.somanuals.com>

<http://www.4manuals.cc>

<http://www.manual-lib.com>

<http://www.404manual.com>

<http://www.luxmanual.com>

<http://aubethermostatmanual.com>

Golf course search by state

<http://golfingnear.com>

Email search by domain

<http://emailbydomain.com>

Auto manuals search

<http://auto.somanuals.com>

TV manuals search

<http://tv.somanuals.com>