

**Canon**

**MULTIMEDIA PROJECTOR**

**LV-7265 / LV-7260 / LV-X7**

**User's Manual**



# Important Information

## Safety Cautions

### Precautions

Please read this manual carefully before using your Canon LV-7265/LV-7260/LV-X7 projector and keep the manual handy for future reference. Your serial number is located on the bottom of your projector. Record it here:

#### CAUTION



To turn off main power, be sure to remove the plug from power outlet.  
The power outlet socket should be installed as near to the equipment as possible, and should be easily accessible.

#### CAUTION



TO PREVENT SHOCK, DO NOT OPEN THE CABINET.  
NO USER-SERVICEABLE PARTS INSIDE.  
REFER SERVICING TO QUALIFIED SERVICE PERSONNEL.



This symbol warns the user that uninsulated voltage within the unit may be sufficient to cause electrical shock. Therefore, it is dangerous to make any kind of contact with any part inside of the unit.



This symbol alerts the user that important information concerning the operation and maintenance of this unit has been provided.  
The information should be read carefully to avoid problems.

**WARNING:** TO PREVENT FIRE OR SHOCK, DO NOT EXPOSE THIS UNIT TO RAIN OR MOISTURE.  
DO NOT USE THIS UNIT'S PLUG WITH AN EXTENSION CORD OR IN AN OUTLET UNLESS ALL THE PRONGS CAN BE FULLY INSERTED.  
DO NOT OPEN THE CABINET. THERE ARE HIGH-VOLTAGE COMPONENTS INSIDE. ALL SERVICING MUST BE DONE BY QUALIFIED SERVICE PERSONNEL.

### Machine Noise Information Regulation - 3. GPSGV,

The highest sound pressure level is less than 70 dB (A) in accordance with EN ISO 7779.

#### CAUTION



Avoid displaying stationary images for a prolonged period of time.  
Doing so can result in these images being temporarily sustained on the surface of the LCD panel.  
If this should happen, continue to use your projector. The static background from previous images will disappear.

#### CAUTION



Do not put the projector on its side when the lamp is turned on.  
Doing so may cause damage to the projector.

#### WARNING TO CALIFORNIA RESIDENTS:

Handling the cables supplied with this product will expose you to lead, a chemical known to the State of California to cause birth defects or other reproductive harm. *WASH HANDS AFTER HANDLING.*

### **Federal Communication Commission Notice**

Multimedia Projector, Model : LV-7265, LV-7260 and LV-X7

This device complies with Part 15 of the FCC Rules. Operation is subject to the following two conditions:

- (1) This device may not cause harmful interference, and (2) this device must accept any interference received, including interference that may cause undesired operation.

Note : This equipment has been tested and found to comply with the limits for a Class B digital device, pursuant to part 15 of the FCC Rules. These limits are designed to provide reasonable protection against harmful interference in a residential installation. This equipment generates, uses and can radiate radio frequency energy and, if not installed and used in accordance with the instructions, may cause harmful interference to radio communications. However, there is no guarantee that interference will not occur in a particular installation. If this equipment does cause harmful interference to radio or television reception, which can be determined by turning the equipment off and on, the user is encouraged to try to correct the interference by one or more of the following measures :

- Reorient or relocate the receiving antenna.
- Increase the separation between the equipment and receiver.
- Connect the equipment into an outlet on a circuit different from that to which the receiver is connected.
- Consult the dealer or an experienced radio/TV technician for help.

The cable with the ferrite core provided with the projector must be used with this equipment in order to comply with Class B limits in Subpart B of Part 15 of the FCC rules.

Use of shielded cable is required to comply with class B limits in Subpart B of Part 15 of FCC Rules.

Do not make any changes or modifications to the equipment unless otherwise specified in the instructions. If such changes or modifications should be made, you could be required to stop operation of the equipment.

Canon U.S.A., Inc.  
One Canon Plaza, Lake Success, NY 11042, U.S.A.  
Tel No. (516)328-5600

### **Canadian Radio Interference Regulations**

This Class B digital apparatus complies with Canadian ICES-003.

### **Réglementation canadienne sur les interférences radio**

Cet appareil numérique de la classe B est conforme à la norme NMB-003 du Canada.



European Union (and EEA) only.

This symbol indicates that this product is not to be disposed of with your household waste, according to the WEEE Directive (2002/96/EC) and your national law. This product should be handed over to a designated collection point, e.g., on an authorized one-for-one basis when you buy a new similar product or to an authorized collection site for recycling waste electrical and electronic equipment (EEE). Improper handling of this type of waste could have a possible negative impact on the environment and human health due to potentially hazardous substances that are generally associated with EEE. At the same time, your cooperation in the correct disposal of this product will contribute to the effective usage of natural resources. For more information about where you can drop off your waste equipment for recycling, please contact your local city office, waste authority, approved WEEE scheme or your household waste disposal service.

Your cooperation in the correct disposal of this product will contribute to the effective usage of natural resources and will avoid incurring administrative sanctions according to art.

50 and following of Italian legislative decree 22/97.

For more information regarding return and recycling of WEEE products, please visit [www.canon-europe.com/environment](http://www.canon-europe.com/environment).

(EEA: Norway, Iceland and Liechtenstein)



## LAMP HANDLING PRECAUTIONS

This projector uses a high-pressure mercury lamp which must be handled carefully and properly as mentioned below.

- A lamp may explode with a loud sound or burn out due to a shock, scratch, or expiration of lifetime.
- The lamp life may differ from lamp to lamp and according to the environment of use. There is not guarantee of the same lifetime for each lamp. Some lamps may fail or terminate their life in a shorter period of time than other similar lamps.
- A lamp gradually becomes darker with time of use.
- If the projector indicates that the lamp should be replaced (i.e., the LAMP indicator blinks red rapidly), chances of explosion become higher. Replace the lamp with a new one immediately.
- Always keep your face away from the exhaust vent so that you do not suffer from the gas and broken shards of the lamp.



### IF A LAMP EXPLODES

If a lamp explodes, the gas and broken shards may scatter inside the projector and they may come out of the exhaust vent. The gas contains toxic mercury.

Open windows and doors for ventilation.

If you inhale the gas or the shards of the broken lamp enter your eyes or mouth, consult the doctor immediately.

If a lamp explodes, its shards may scatter inside the projector. Ask the Canon service representative to clean and check the inside of the projector and replace the lamp.



### DISPOSAL OF WASTE LAMP

Dispose of the mercury lamp of the projector according to the local regulation just like the fluorescent lamp.

## Lamp Replacement


- To replace the lamp, follow all instructions provided on page 57.
- Be sure to replace the lamp when the message **[Replace with the new lamp.]** appears. If you continue to use the lamp after the lamp has reached the end of its usable life, the lamp bulb may shatter, and pieces of glass may be scattered in the lamp case. Do not touch them as the pieces of glass may cause injury. If this happens, contact your dealer for lamp replacement.



### CAUTION

When removing the lamp from a ceiling-mounted projector, make sure that no one is under the projector. Glass fragments could fall if the lamp has been burned out.

### NOTE FOR CUSTOMERS IN THE US

 LAMP(S) INSIDE THIS PRODUCT CONTAIN MERCURY AND MUST BE RECYCLED OR DISPOSED OF ACCORDING TO LOCAL, STATE OR FEDERAL LAWS.



For UK only: In UK, a BS approved power cord with moulded plug has a Black (five Amps) fuse installed for use with this equipment. If a power cord is not supplied with this equipment please contact your supplier.

### Important Safeguards

These safety instructions are to ensure the long life of your projector and to prevent fire and shock. Please read them carefully and heed all warnings.

#### Installation

- Do not place the projector in the following conditions:
  - on an unstable cart, stand, or table.
  - near water, baths or damp rooms.
  - in direct sunlight, near heaters or heat radiating appliances.
  - in a dusty, smoky or steamy environment.
  - on a sheet of paper or cloth, rugs or carpets.
- If you wish to have the projector installed on the ceiling:
  - Do not attempt to install the projector yourself.
  - The projector must be installed by qualified technicians in order to ensure proper operation and reduce the risk of bodily injury.
  - In addition, the ceiling must be strong enough to support the projector and the installation must be in accordance with any local building codes.
  - Please consult your dealer for more information.

### Do Not Use in the Following Environments

Do not install the projector in a humid or dusty place or a place where there is much oily smoke or cigarette smoke. Optical parts such as a lens and mirror are stained, resulting in poor picture.

Do not use the projector in a place where the temperature becomes very high or low.

Operating temperature: +5°C to +40°C Storage temperature: -10°C to +50°C  
(Quiet mode selected automatically at 95°F to 104°F / 35°C to 40°C)

### Place the projector in a horizontal position

The tilt angle of the projector should not exceed 10 degrees, nor should the projector be installed in any way other than the desktop and ceiling mount, otherwise lamp life could decrease dramatically.



#### Fire and Shock Precautions

- Ensure that there is sufficient ventilation and that vents are unobstructed to prevent the build-up of heat inside projector. Allow at least 1 m (3.3') of space between your projector and a wall.
- Do not try to touch the ventilation outlet on the left front (when seen from the front) as it can become heated the projector is turned on and immediately after the projector is turned off.
- Prevent foreign objects such as paper clips and bits of paper from falling into your projector. Do not attempt retrieve any objects that might fall into your projector. Do not insert any metal objects such as a wire or screwdriver into your projector. If something should fall into your projector, disconnect it immediately and have the object removed by a qualified service personnel.
- Do not place any objects on top of the projector.
- Do not touch the power plug during a thunderstorm. Doing so can cause electrical shock or fire.
- The projector is designed to operate on a power supply of 100-240V AC 50/60 Hz. Ensure that your power fits this requirement before attempting to use your projector.

- Do not look into the lens while the projector is on. Serious damage to your eyes could result.
- Keep any items such as magnifying glass out of the light path of the projector. The light being projected from the lens is extensive, therefore any kind of abnormal objects that can redirect light coming out of the lens, can cause unpredictable outcome such as fire or injury to the eyes.
- Do not cover the lens with the black lens cap or equivalent while the projector is on. Doing so can lead to melting the cap and possibly burning your hands due to the heat emitted from the light output.
- Do not place any objects, which are easily affected by heat, in front of the projector lens or a projector exhaust. Doing so could lead to the object melting or getting your hands burned from the heat that is emitted from the output and exhaust.
- Handle the power cord carefully. A damaged or frayed power cord can cause electric shock or fire.
  - Do not use any power cords than the supplied one.
  - Do not bend or tug the power cord excessively.
  - Do not place the power cord under the projector, or any heavy object.
  - Do not cover the power cord with other soft materials such as rugs.
  - Do not heat the power cord
  - Do not handle the power plug with wet hands.
- Turn off the projector, unplug the power cord and have the projector serviced by a qualified service personnel under the following conditions:
  - When the power cord or plug is damaged or frayed.
  - If liquid has been spilled into the projector, or if it has been exposed to rain or water.
  - If the projector does not operate normally when you follow the instructions described in this user's manual.
  - If the projector has been dropped or the cabinet has been damaged.
  - If the projector exhibits a distinct change in performance, indicating a need for service.
- Disconnect the power cord and any other cables before carrying the projector
- Turn off the projector and unplug the power cord before cleaning the cabinet or replacing the lamp.
- Turn off the projector and unplug the power cord if the projector is not to be used for an extended period of time.

### CAUTION

- Do not try to touch the ventilation outlet on the left side (when seen from the front) as it can become heated while the projector is turned on.
- Do not use the tilt-foot for purposes other than originally intended. Misuses such as gripping the tilt-foot or hanging on the wall can cause damage to the projector.
- Select [High] in Fan mode if you continue to use the projector for consecutive days. (From the menu, select [Setup]→ [Options] → [Fan mode] → [High].) Fan noise increases noticeably in High mode.
- Select [High] in Fan mode if you use the projector at a high altitude or under low atmospheric pressure.
- Do not turn off the AC power by pressing the main power switch or by unplugging the power cord when the projector is powered on.
- Do not turn off the AC power for 60 seconds after the lamp is turned on and while the POWER indicator is blinking green. Doing so could cause premature lamp failure.

## **CARRYING/TRANSPORTING THE PROJECTOR**

This projector is a precision machine. Do not give a strong shock to the projector or turn it down. Thoroughly read "Use Caution When Carrying or Transporting the Projector" below and install the lens cap before carrying the projector. When transporting the projector by train or airplane, use a highly crashworthy transport case.

### **Use Caution When Carrying or Transporting the Projector**

The carrying bag is intended for protection from dust and scratches on the surface of the cabinet, and it is not designed to protect the projector from external shocks. When carrying the projector with it put in the carrying bag, do not give a shock to it, drop it, or place anything on it.

Do not transport the projector through a courier or transport service with the carrying bag. The projector can damage.

#### **Remote Control Precautions**

- Handle the remote control carefully.
- If the remote control gets wet, wipe it dry immediately.
- Avoid excessive heat and humidity.
- Do not heat, take apart, or throw batteries into fire.
- If you will not be using the remote control for a long time, remove the batteries.
- Ensure that you have the batteries' polarity (+/-) aligned correctly.
- Do not use new and old batteries together, or use different types of batteries together.
- Dispose of used batteries according to your local regulations.

# Table of Contents

---

<b>Important Information</b> .....	i
<b>1. Introduction</b> .....	1
① What's in the Box? .....	1
② Introduction to the Projector .....	2
③ Part Names of the Projector .....	4
Top Features .....	6
Terminal Panel Features .....	7
④ Part Names of the Remote Control .....	8
Battery Installation .....	10
Remote Control Precautions .....	10
Operating Range for Wireless Remote Control .....	10
<b>2. Installation and Connections</b> .....	11
① Setting Up the Screen and the Projector .....	12
Selecting a Location (LV-7265) .....	12
Throw Distance and Screen Size .....	12
Selecting a Location (LV-7260/LV-X7) .....	13
Throw Distance and Screen Size .....	13
② Making Connections .....	15
Enabling the computer's external display .....	15
Connecting Your PC or Macintosh Computer (LV-7265) .....	15
Using Two Analog COMPUTER Inputs Simultaneously (LV-7265) .....	16
When Viewing a DVI Digital Signal (LV-7265) .....	17
Connecting Your PC or Macintosh Computer (LV-7260/LV-X7) .....	18
Connecting an External Monitor .....	19
Connecting Your DVD Player with Component Output .....	20
Connecting Your VCR or Laser Disc Player .....	21
Connecting the Supplied Power Cord .....	22
<b>3. Projecting an Image (Basic Operation)</b> .....	23
① Turning on the Projector .....	23
Note on Startup Screen (Menu Language Select screen) .....	24
② Selecting a Source .....	25
③ Adjusting the Picture Size and Position .....	26
④ Correcting Keystone Distortion .....	28
⑤ Automatically Optimizing on RGB Image .....	30
⑥ Turning Up or Down Volume .....	30
⑦ Turning off the Projector .....	31
⑧ After Use .....	32

<b>4. Convenient Features</b> .....	33
<b>1</b> Turning Off the Image and Sound.....	33
<b>2</b> Freezing a Picture.....	33
<b>3</b> Enlarging and Moving a Picture .....	33
<b>4</b> Using the Remote Mouse Receiver (LV-7265/LV-7260).....	34
<b>5</b> Preventing the Unauthorized Use of the Projector.....	36
<b>5. Using On-Screen Menu</b> .....	39
<b>1</b> Using the Menus.....	39
<b>2</b> Menu Elements.....	41
<b>3</b> List of Menu Items.....	42
<b>4</b> Menu Descriptions & Functions [Image adjustment].....	44
<b>5</b> Menu Descriptions & Functions [Display settings].....	45
<b>6</b> Menu Descriptions & Functions [Setup].....	47
<b>7</b> Menu Descriptions & Functions [Information] .....	53
<b>8</b> Menu Descriptions & Functions [Reset].....	54
<b>6. Maintenance</b> .....	55
<b>1</b> Cleaning or Replacing the Filter.....	55
<b>2</b> Cleaning the Cabinet and the Lens.....	56
<b>3</b> Replacing the Lamp.....	57
<b>7. Appendix</b> .....	60
<b>1</b> Troubleshooting .....	60
<b>2</b> Specifications.....	63
<b>3</b> Cabinet Dimensions.....	65
<b>4</b> Pin Assignments of D-Sub ANALOG Input Connector .....	66
<b>5</b> Compatible Input Signal List .....	67
<b>6</b> Relationship between Screen Size and Projection Distance .....	68
<b>7</b> PC Control Codes and Cable Connection .....	70
<b>8</b> Troubleshooting Check List .....	71

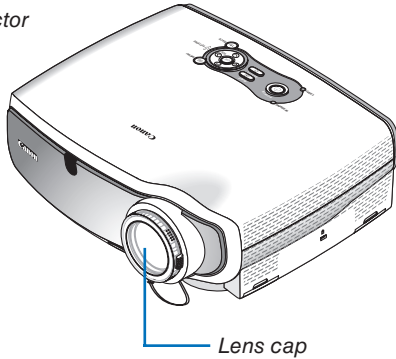
# 1. Introduction

---

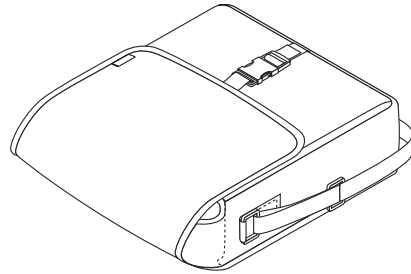
## ① What's in the Box?

Make sure your box contains everything listed. If any pieces are missing, contact your dealer. Please save the original box and packing materials if you ever need to ship your projector.

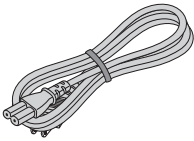
Projector



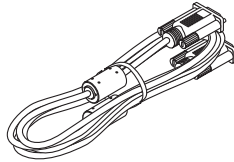
Lens cap



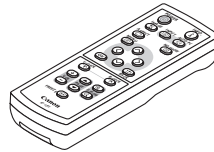
Soft case



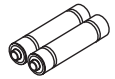
AC power cord  
(4.5 m / 14.8')



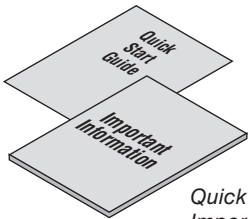
VGA cable  
(1.8 m / 5.9')  
[7N520052]



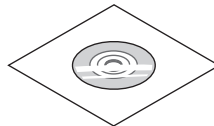
Remote control



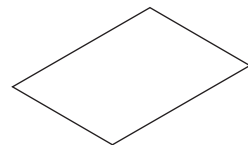
Batteries (AAA x 2)



Quick Start Guide  
Important Information



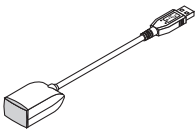
CD-ROM  
User's manual



Warranty

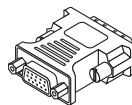
---

### For LV-7265/LV-7260 only



Remote mouse receiver  
(10 cm / 0.3')

### For LV-7265 only



DVI to VGA adapter

## ② Introduction to the Projector

This section introduces you to your new projector and describes the features and controls.

### **Congratulations on Your Purchase of The Projector**

The LV-7265/LV-7260/LV-X7 is one of the very best projectors available today. The projector enables you to project precise images up to 300 inches across (measured diagonally) from your PC or Macintosh computer (desktop or notebook), VCR, DVD player, document camera, or a laser disc player.

You can use the projector on a tabletop or cart, from behind a screen, or permanently mounted on a ceiling<sup>\*1</sup>. The remote control can be used wirelessly.

<sup>\*1</sup> Do not attempt to mount the projector on a ceiling yourself.

The projector must be installed by qualified technicians in order to ensure proper operation and reduce the risk of bodily injury.

In addition, the ceiling must be strong enough to support the projector and the installation must be in accordance with any local building codes. Please consult your dealer for more information.

### **Features you'll enjoy:**

- Auto vertical keystone correction (LV-7265 only).
- Built-in Wall Color Correction presets provide for adaptive color correction when projecting onto non-white screen material.
- Quick start & quick cool down.  
Eight seconds after turning on the power, the projector is ready to display PC or video images\*. Powering down; The fans stop 30 seconds after turning off the power from the remote control or cabinet control panel. The projector can be put away immediately after the projector is powered down. Also, the main power of the projector can be turned off by pressing the main power switch or unplugging the power cord even during the cool down period after the projector is turned off.
- \* If you turn on the projector immediately after the lamp is turned off or when the temperature is high, the fans runs without displaying an image for some time and then the projector will display the image.
- DVI input connector (DVI-I 29 Pin) with HDCP compatible (LV-7265 only)
- HDTV (1080i, 720p) and SDTV (576p, 480p) compatibility.
- Color Management system.
- Short focal length lens.
- Display popular wide screen and full screen aspect ratios - 16:9 and 4:3.
- Built-in speaker for an integrated audio solution.
- High resolution display - up to UXGA compatible, XGA native resolution.
- Multiple video mode selections (depending on your source).
- Security feature prevents unauthorized individuals from displaying images.
- You can control the projector with a PC or control system using the PC Control port (SERVICE PORT).
- Easy set up and operation.
- The contemporary cabinet design is light, compact and complements any office, boardroom Auditorium.
- You can use the supplied wireless remote control and remote mouse receiver to operate your PC mouse from across the room. The remote mouse receiver supports almost any PC using a USB connection (LV-7265 and LV-7260 only).

### **About this user's manual**

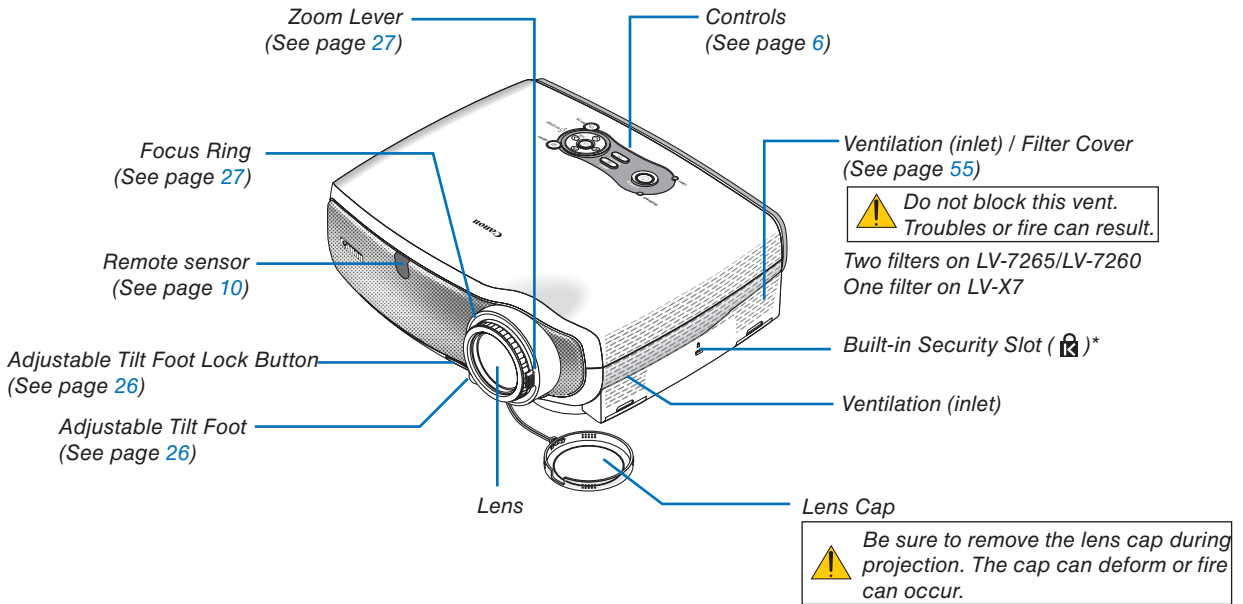
The fastest way to get started is to take your time and do everything right the first time. Take a few minutes now to review the user's manual. This may save you time later on. At the beginning of each section of the manual you'll find an overview. If the section doesn't apply, you can skip it.

- IBM is a trademark or registered trademark of International Business Machines Corporation.
- Mac and PowerBook are trademarks of Apple Computer, Inc., registered in the U.S. and other countries.
- Windows, Windows 98, Windows Me, Windows XP or Windows 2000 are trademarks or registered trademarks of Microsoft Corporation.
- Other product and company names mentioned in this user's manual may be the trademarks or registered trademarks of their respective holders.



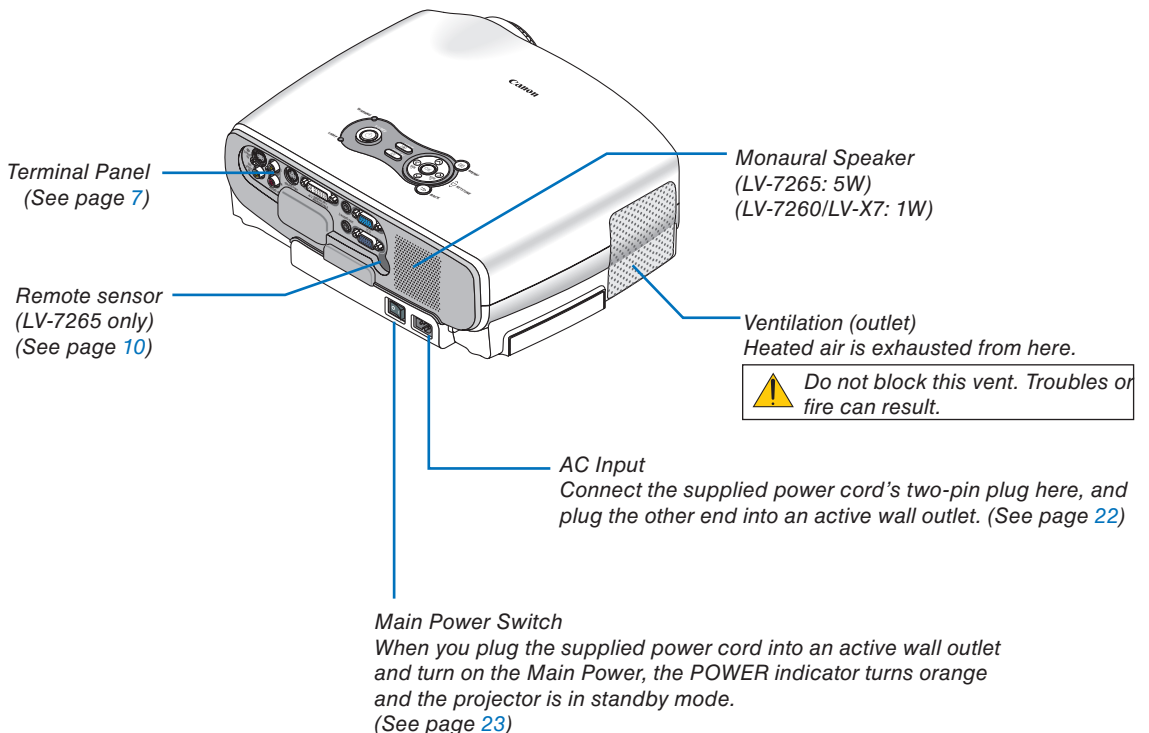
### 3 Part Names of the Projector

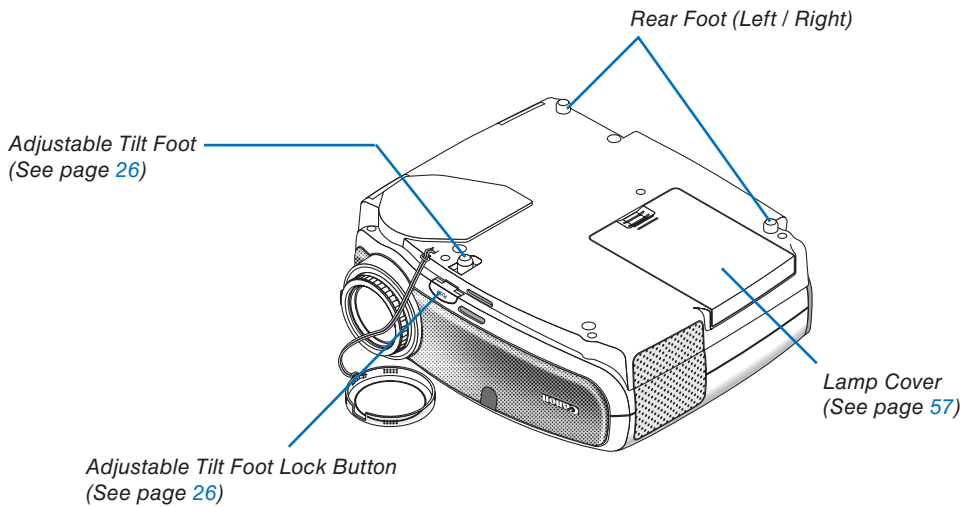
#### Front/Top



\* This security slot supports the MicroSaver<sup>®</sup> Security System. MicroSaver<sup>®</sup> is a registered trademark of Kensington Microware Inc. The logo is trademarked and owned by Kensington Microware Inc.

#### Rear



**Bottom**

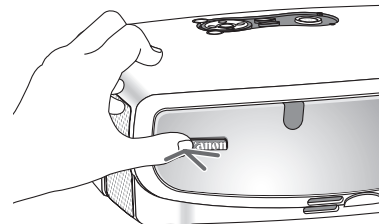
**HINT:** The Canon logo is on the panel of the projector cabinet. When projecting an image with the projector hung from the ceiling, turn the Canon logo upside down.

To turn the logo upside down, follow the steps below.

**1. Push one end of the logo gently.**

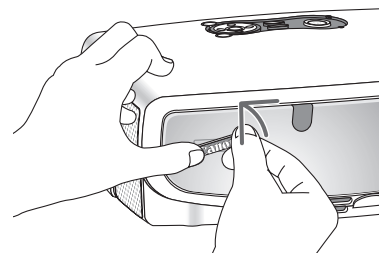
The other end will pop up slightly.

- The right drawing shows the part “C” is pressed gently.
- The part “n” on the other end will pop up.

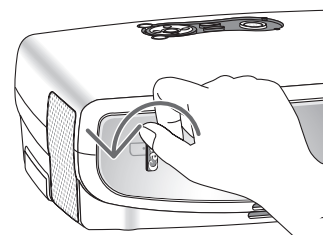


**2. Push and hold the end of the logo gently and rotate the logo by holding the other end.**

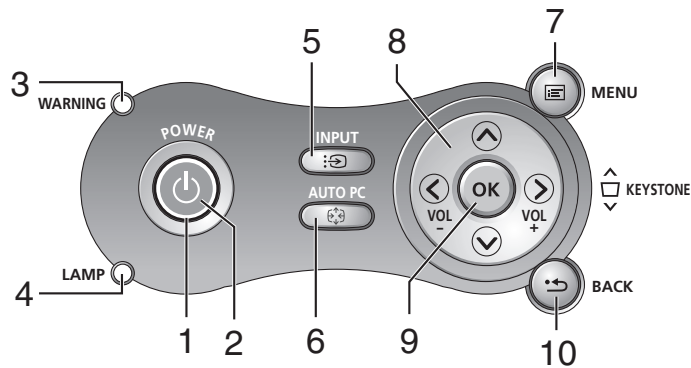
- The right drawing shows that with the part “C” pressed the logo is rotated by holding the part “n” on the other end.



**3. Release your hold and turn the logo upside down.**



## Top Features



### 1. POWER Button (⏻)

Use this button to turn the power on and off when the main power is supplied and the projector is in standby mode.

To turn on the projector, press and hold this button for about 1 second. To turn off the projector, press this button twice.

### 2. POWER Indicator

When this indicator is green, the projector is on; when this indicator is orange, it is in standby mode. See the Power Indicator section on page 60 for more details.

### 3. WARNING Indicator

If this light blinks red rapidly, it indicates that an error has occurred, the lamp cover is not attached properly or the projector has overheated. If this light remains orange, it indicates that you have pressed a cabinet key while the Key lock is enabled. See the WARNING Indicator section on page 60 for more details.

### 4. LAMP Indicator

If this light blinks red rapidly, it's warning you that the lamp has reached the end of its usable life. After this light appears, replace the lamp as soon as possible (See page 57). If this is lit green continually, it indicates that the lamp mode is set to Quiet. See the Lamp Indicator section on page 60 for more details.

### 5. INPUT Button

#### Selecting from INPUT List

Press and quickly release the INPUT button to display the INPUT list. Each time the INPUT button is pressed, the input source will change as follows:

Computer 1\* → Computer 2 (Digital)\* → Computer 2 (Analog)\* → VIDEO → S-VIDEO → Computer 1\* → ...

To display the selected source, press the OK button or allow 2 seconds to elapse.

#### Detecting the Signal Automatically

Press and hold the INPUT button for a minimum of 2 seconds, the projector will search for the next available input source. Each time you press and hold the INPUT button for a minimum of 2 seconds, the input source will change as follows:

Computer 1\* → Computer 2 (Digital)\* → Computer 2 (Analog)\* → VIDEO → S-VIDEO → Computer 1\* → ...

\* **LV-7260/LV-X7:** Computer → VIDEO → S-VIDEO → Computer → ...

### 6. AUTO PC Button

Use this button to adjust an analog RGB source for an optimal picture. See page 30.

### 7. MENU Button

Displays the menu. See page 39, 40.

### 8. SELECT (◀▶) / VOL (+/-) Buttons

See page 39.

◀▶ : Use these buttons to select the menu of the item you wish to adjust.

When no menus appear, these buttons work as a keystone control. See page 28.

◀▶ : Use these buttons to change the level of a selected menu item. A press of the ▶ button executes the selection. When no menus appear, these buttons work as a volume control. See page 30.

### 9. OK Button

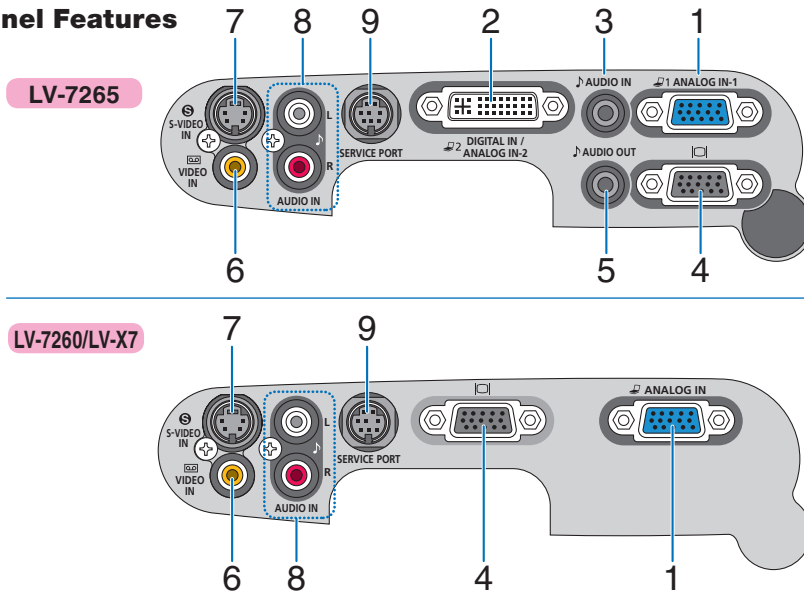
Executes your menu selection and activates items selected from the menu.

### 10. BACK Button

Pressing this button will return to the previous menu.

While you are in the main menu, pressing this button will close the menu.

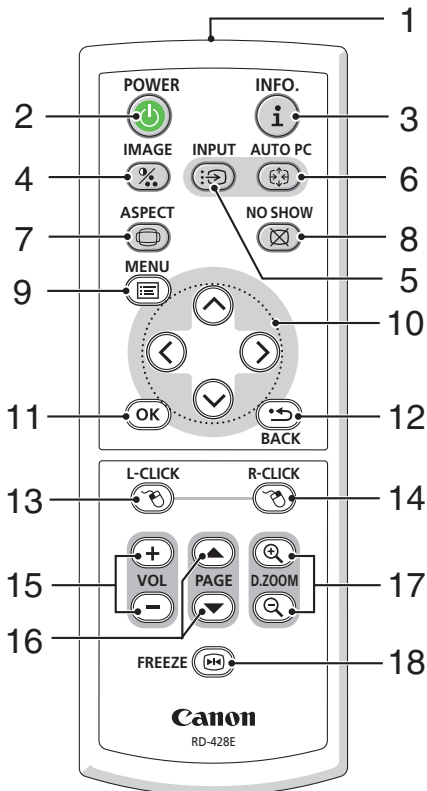
## Terminal Panel Features



- 1. Computer 1 Input Connector [ANALOG IN-1] (Computer Input Connector [ANALOG IN] on LV-7260/LV-X7) (Mini D-Sub 15 Pin)**  
Connect your computer or other analog RGB equipment such as IBM compatible or Macintosh computers. Use the supplied VGA cable to connect to your computer. This also serves as a component video input connector that allows you to connect a component video output of component equipment such as a DVD player. See page 15, 18, 20.
- 2. Computer 2 Input Connector [DIGITAL IN/ANALOG IN-2] (DVI-I 29 Pin) (LV-7265 only)**  
Connect your computer or other analog RGB equipment such as IBM compatible or Macintosh computers.  
Use the supplied VGA cable to connect to your computer. This also serves as a component input connector that allows you to connect a component video output of component equipment such as a DVD player. See page 15, 16.
- 3. AUDIO IN Mini Jack (Stereo Mini) (LV-7265 only)**  
This is where you connect the audio output from your computer or DVD player when connected to the COMPUTER input. A commercially available audio cable is required. See page 15, 20.
- 4. Monitor Output Connector [ ] (Mini D-Sub 15 Pin)**  
You can use this connector to loop your computer image to an external monitor from the RGB input source. This connector outputs RGB signal in standby mode. See page 19.
- 5. AUDIO OUT Mini Jack (Stereo Mini) (LV-7265 only)**  
You can use this jack to output sound from the currently selected source (COMPUTER, VIDEO or S-VIDEO). Output sound level can be adjusted in accordance with the sound level of the internal speaker. Note that this cannot be used as a headphone jack. (When audio equipment is connected, the projector speaker is disabled.)  
When a cable mini-plug is inserted into this jack, both the right and left audio signals are not mixed, but separate. For example, when a cable mini-plug is inserted into the left AUDIO IN jack only, only left sound is output.
- 6. VIDEO IN Connector (RCA)**  
Connect a VCR, DVD player, laser disc player, or document camera here to project video. See page 21.
- 7. S-VIDEO IN Connector (Mini DIN 4 Pin)**  
Here is where you connect the S-Video input from an external source like a VCR. See page 21.

*NOTE: S-Video provides more vivid color and higher resolution than the traditional composite video format.*
- 8. AUDIO IN Jacks L/R (RCA)**  
These are your left and right channel audio inputs for stereo sound from a Video/S-Video source. These jacks support an analog RGB audio source on LV-7260/LV-X7. See page 18, 21.
- 9. SERVICE PORT (Mini DIN 8 Pin)**  
Use this port to connect a PC or control system to control the projector via an optional RS-232C serial cable (LV-CA34). If you are writing your own program, typical PC control codes are on page 70.

## 4 Part Names of the Remote Control



### 1. Infrared Transmitter

Direct the remote control toward the remote sensor on the projector cabinet.

### 2. POWER Button

When the main power is on, you can use this button to turn your projector on.

*NOTE: To turn on the projector, press and hold the POWER button for about 1 second.*

You can use this button to turn your projector off.

*NOTE: To turn off the projector, press this button twice.*

### 3. INFO. Button

Provides the information on the current signal and projector settings. See page 53.

### 4. IMAGE Button

Press this button to display the Image adjustment menu to adjust Image mode, Contrast, Brightness, Sharpness, Color level and Color balance. See pages 44 to 45.

### 5. INPUT Button

#### Selecting from INPUT List

Press and quickly release the INPUT button to display the INPUT list. Each time the INPUT button is pressed, the input source will change as follows:

Computer 1\* → Computer 2 (Digital)\* → Computer 2 (Analog)\* → VIDEO → S-VIDEO → Computer 1\* → ...

To display the selected source, press the OK button or allow 2 seconds to elapse.

#### Detecting the Signal Automatically

Press and hold the INPUT button for a minimum of 2 seconds, the projector will search for the next available input source. Each time you press and hold the INPUT button for a minimum of 2 seconds, the input source will change as follows:

Computer 1\* → Computer 2 (Digital)\* → Computer 2 (Analog)\* → VIDEO → S-VIDEO → Computer 1\* → ...

\* LV-7260/LV-X7: Computer → VIDEO → S-VIDEO → Computer → ...

### 6. AUTO PC Button

Use this button to adjust an analog RGB source for an optimal picture. See page 30.

### 7. ASPECT Button

Press this button once to display the Aspect select menu. Keep pressing will change aspect ratios. See page 45.

### 8. NO SHOW Button

This button turns off the image and sound for a short period of time. Press again to restore the image and sound. See page 33.

### 9. MENU Button

Displays the menu for various settings and adjustments. See page 39, 40.

### 10. SELECT (Mouse) Button

See page 39.

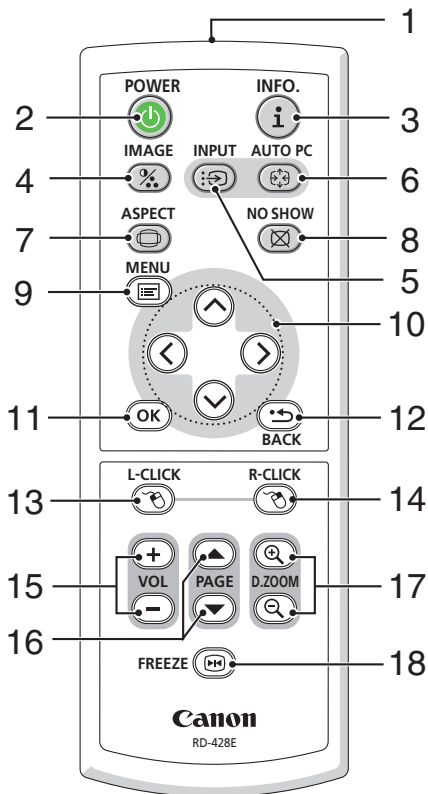
⊙⊙: Use these buttons to select the menu of the item you wish to adjust.

⊙⊙: Use these buttons to change the level of a selected menu item. A press of the ⊙ button executes the selection.

When an image is magnified, the SELECT ⊙⊙⊙⊙ button moves the image. See page 33.

This button also works as a computer mouse when the supplied remote mouse receiver is connected with your computer. See page 35. (This button cannot be used as a computer mouse for LV-X7.)

### 11. OK Button



(This button cannot be used for LV-X7.)

Use these buttons to operate your computer with the supplied remote mouse receiver. See page 35. You can use these buttons to scroll the viewing area of the window or to move to the previous or next slide in PowerPoint on your computer.

**17. D. ZOOM (+) (-) Button**

Use this button to adjust the image size up to 400%.

The image is magnified about the center of the screen. See page 33.

**18. FREEZE Button**

This button will freeze a picture. Press again to resume motion. See page 33.

Use this button to enter your menu selection. It works the same way as the OK button on the cabinet. See page 6.

**12. BACK Button**

It works the same way as the BACK button on the cabinet. See page 6.

**13. L-CLICK Button**

(This button cannot be used for LV-X7.)

This button works as the mouse left button when the supplied remote mouse receiver is connected with your computer. See page 35.

**14. R-CLICK Button**

(This button cannot be used for LV-X7.)

This button works as the mouse right button when the supplied remote mouse receiver is connected with your computer. See page 35.

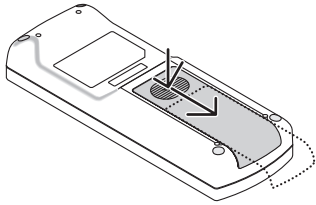
**15. VOL (+) (-) Button**

Press (+) to increase the volume and (-) to decrease it. See page 30.

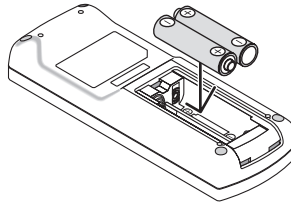
**16. PAGE ▲/▼ Button**

## Battery Installation

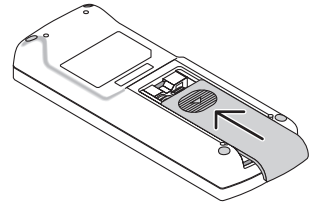
- 1** Press firmly and slide the battery cover off.



- 2** Remove both old batteries and install new ones (AAA). Ensure that you have the batteries' polarity (+/-) aligned correctly.



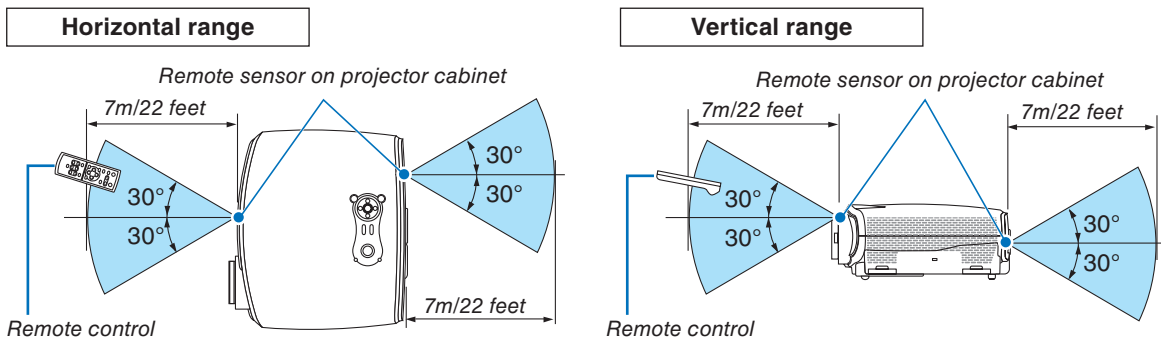
- 3** Slip the cover back over the batteries until it snaps into place. Do not mix different types of batteries or new and old batteries.



## Remote Control Precautions

- Handle the remote control carefully.
- If the remote control gets wet, wipe it dry immediately.
- Avoid excessive heat and humidity.
- Do not heat, take apart, or throw batteries into fire.
- Ensure that you have the batteries' polarity (+/-) aligned correctly.
- If you will not be using the remote control for a long time, remove the batteries.
- Do not place the batteries upside down.
- Do not use new and old batteries together, or use different types of batteries together.
- Dispose of used batteries according to your local regulations.

## Operating Range for Wireless Remote Control



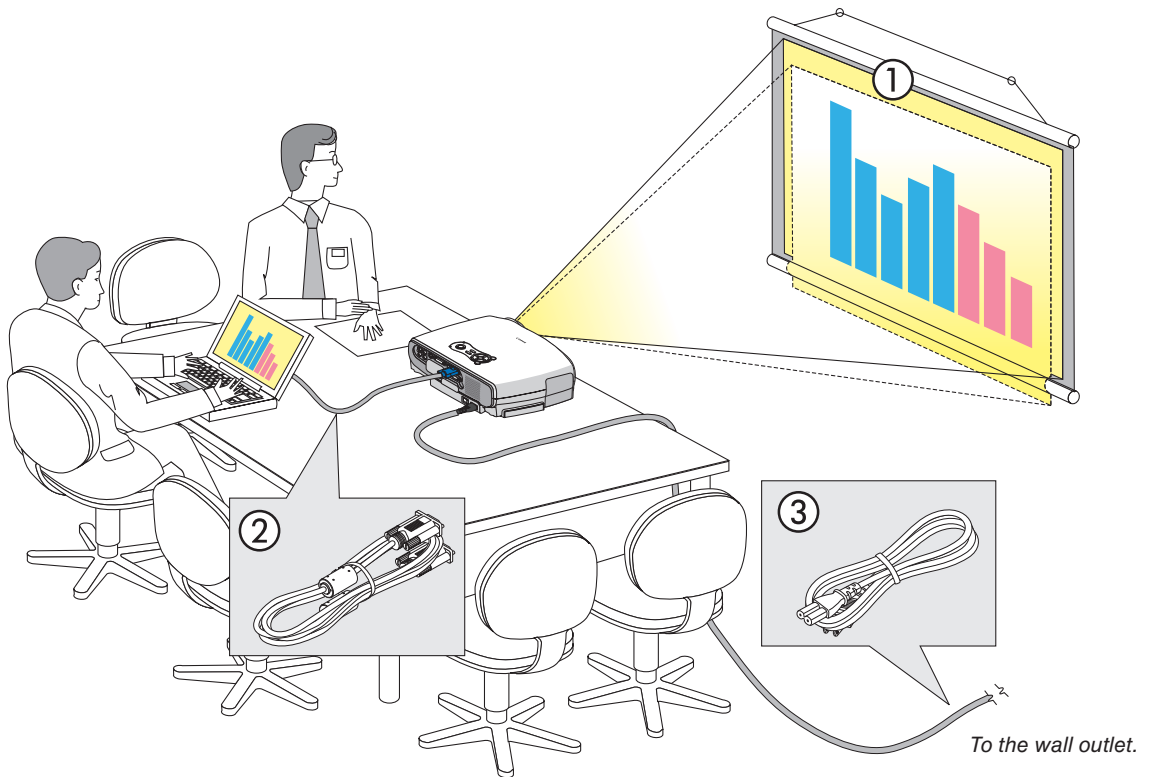
**NOTE:** The LV-7260 and LV-X7 do not have the remote sensor on the rear panel.

- The infrared signal operates by line-of-sight up to a distance of about 7 m (22 feet) and within a 60-degree angle of the remote sensor on the projector cabinet.
- The projector will not respond if there are objects between the remote control and the sensor, or if strong light falls on the sensor. Weak batteries will also prevent the remote control from properly operating the projector.



## 2. Installation and Connections

This section describes how to set up your projector and how to connect video and audio sources.



Your projector is simple to set up and use. But before you get started, you must first:

- ① Set up a screen and the projector. See page [12](#), [13](#).
- ② Connect your computer or video equipment to the projector. See pages [15](#), [16](#), [17](#), [18](#), [19](#), [20](#), [21](#).
- ③ Connect the supplied power cord. See page [22](#).

---

**NOTE:** Ensure that the power cord and any other cables are disconnected before moving the projector. When moving the projector or when it is not in use, cover the lens with the lens cap.

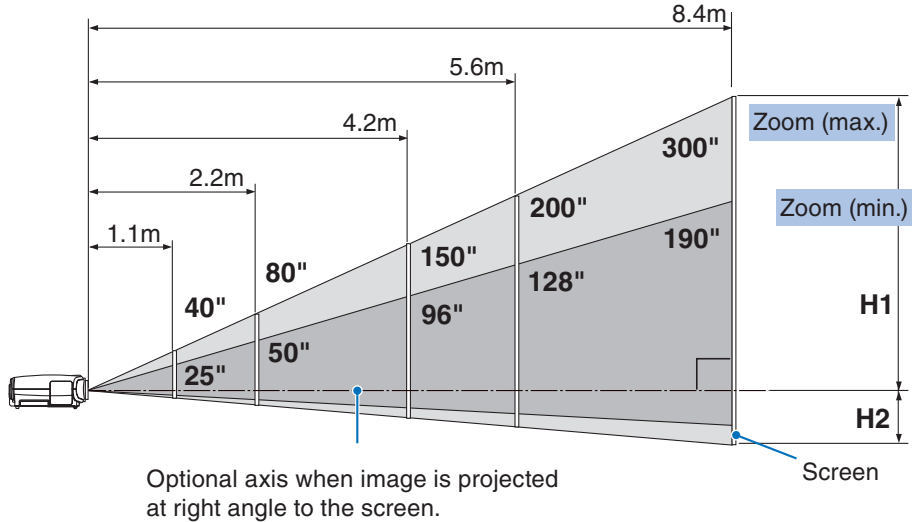
---



# ① Setting Up the Screen and the Projector

## Selecting a Location (LV-7265)

The further your projector is from the screen or wall, the larger the image. The minimum size the image can be is approximately 25" measured diagonally when the projector is roughly 1.1 m (3.7') from the wall or screen. The largest the image can be is 300" when the projector is about 8.8 m (29.1') from the wall or screen. Use the drawing below as a guide.



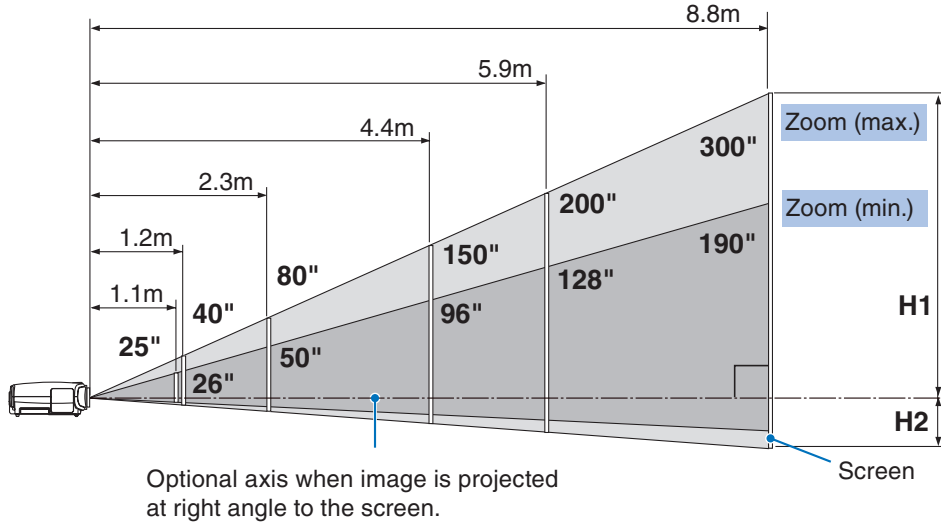
## Throw Distance and Screen Size

Screen size (W×H) cm	25" 51×38	30" 61×46	40" 81×61	60" 122×91	80" 163×122	100" 203×152	150" 305×229	180" 366×206	200" 406×305	250" 508×381	300" 610×457
Projection distance Zoom (max)	–	–	1.1m (3.6')	1.7m (5.5')	2.2m (7.3')	2.8m (9.2')	4.2m (13.8')	5.0m (16.6')	5.6m (18.4')	7.0m (23.1')	8.4m (27.7')
Projection distance Zoom (min)	1.1m (3.5')	1.3m (4.2')	1.7m (5.7')	2.6m (8.5')	3.5m (11.4')	4.3m (14.3')	6.5m (21.6')	7.9m (25.9')	–	–	–
H1	32cm (1.1')	39cm (1.3')	51cm (1.7')	77cm (2.5')	103cm (3.4')	129cm (4.2')	193cm (6.4')	231cm (7.6')	257cm (8.5')	321cm (10.6')	386cm (12.7')
H2	6cm (0.2')	7cm (0.2')	10cm (0.3')	14cm (0.5')	19cm (0.6')	24cm (0.8')	36cm (1.2')	43cm (1.4')	48cm (1.6')	60cm (2.0')	71cm (2.4')

H1 and H2: H1 is the height of the screen from the intersection of optical axis and screen surface, and H2 is the height of the intersection when an image is projected at right angle to the screen.

**Selecting a Location (LV-7260/LV-X7)**

The further your projector is from the screen or wall, the larger the image. The minimum size the image can be is approximately 25" measured diagonally when the projector is roughly 1.1 m (3.7') from the wall or screen. The largest the image can be is 300" when the projector is about 8.8 m (29.1') from the wall or screen. Use the drawing below as a guide.



**Throw Distance and Screen Size**

Screen size (W x H cm)	25" 51 x 38	30" 61 x 46	40" 81 x 61	60" 122 x 91	80" 163 x 122	100" 203 x 152	150" 305 x 229	180" 366 x 206	200" 406 x 305	250" 508 x 381	300" 610 x 457
Projection distance Zoom (max)	-	-	1.2 m (3.8')	1.7 m (5.7')	2.3 m (7.7')	2.9 m (9.6')	4.4 m (14.5')	5.3 m (17.4')	5.9 m (19.4')	7.3 m (24.2')	8.8 m (29.1')
Projection distance Zoom (min)	1.1 m (3.7')	1.3 m (4.4')	1.8 m (5.9')	2.7 m (9.0')	3.6 m (12.0')	4.6 m (15.1')	6.9 m (22.7')	8.3 m (27.2')	-	-	-
H1	33 cm (1.1')	39 cm (1.3')	52 cm (1.7')	78 cm (2.6')	105 cm (3.5')	131 cm (4.3')	196 cm (6.5')	235 cm (7.8')	262 cm (8.6')	327 cm (10.8')	392 cm (12.9')
H2	5 cm (0.2')	6 cm (0.2')	9 cm (0.3')	13 cm (0.4')	17 cm (0.6')	22 cm (0.7')	32 cm (1.1')	39 cm (1.3')	43 cm (1.4')	54 cm (1.8')	65 cm (2.1')

H1 and H2: H1 is the height of the screen from the intersection of optical axis and screen surface, and H2 is the height of the intersection when an image is projected at right angle to the screen.

**TIP:**

- For the relationship between the screen size and projection distance, see the table on page 68, 69.
- The sizes in the above table have been obtained assuming that the aspect ratio is 4:3. They may vary from the actual sizes depending on the type of the projected image.
- The Zoom lever adjusts the image size (diagonal) +/- 30%.


**NOTE:**

- This projector can be hung from the ceiling (Ceiling mounted) with it turned up side down.  
 When a translucent screen is used, the projector can project an image from behind the screen (Rear).  
 When the projector is hung from the ceiling or projector projects an image from behind the screen, the image must be inverted vertically or horizontally. See page 49.
- When hanging the projector from the ceiling, optional brackets (part No. LV-CL11) are required.

### WARNING

- Installing your projector on the ceiling must be done by a qualified technician. Contact your dealer for more information.
- Do not attempt to install the projector yourself.
- Only use your projector on a solid, level surface. If the projector falls to the ground, you can be injured and the projector severely damaged.
- Do not use the projector where temperatures vary greatly. The projector must be used at temperatures between 41°F (5°C) and 104°F (40°C). (Quiet mode selected automatically at 95°F to 104°F/35°C to 40°C).
- Do not expose the projector to moisture, dust, or smoke. This will harm the screen image.
- Ensure that you have adequate ventilation around your projector so heat can dissipate. Do not cover the vents on the side or the front of the projector.

### Reflecting the Image

Using a mirror to reflect your projector's image enables you to enjoy a much larger image. Contact your dealer if you need a mirror system. If you're using a mirror system and your image is inverted, use the MENU and SELECT  buttons on your projector cabinet or your remote control to correct the orientation. See page 49.

## ② Making Connections

*NOTE: When using with a notebook PC, be sure to connect the projector and notebook PC while the projector is in standby mode and before turning on the power to the notebook PC.*

*In most cases the output signal from the notebook PC is not turned on unless connected to the projector before being powered up.*

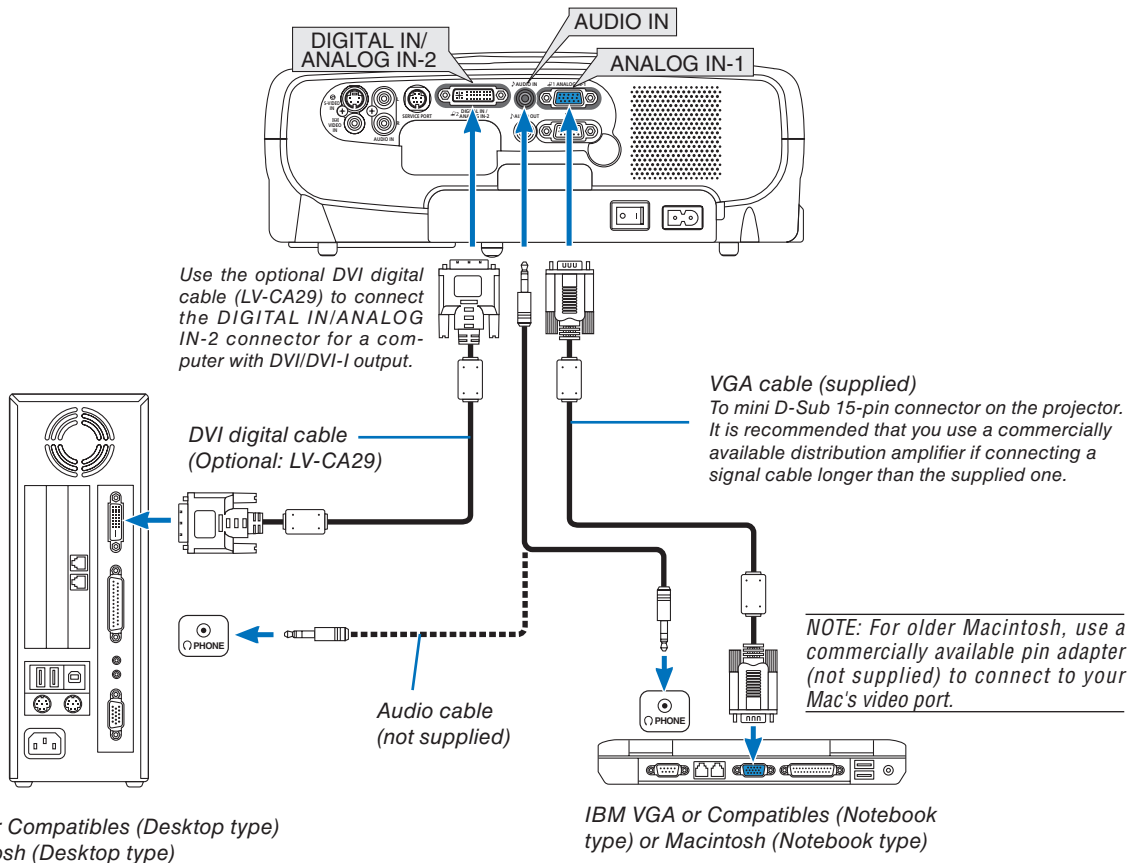
*\* If the screen goes blank while using your remote control, it may be the result of the computer's screen-saver or power management software.*

### Enabling the computer's external display

Displaying an image on the notebook PC's screen does not necessarily mean it outputs a signal to the projector. When using a PC compatible laptop, a combination of function keys will enable/disable the external display. Usually, the combination of the 'Fn' key along with one of the 12 function keys gets the external display to come on or off. For more details, refer to your computer's owner's manual.

### Connecting Your PC or Macintosh Computer (LV-7265)

*NOTE: The ANALOG IN-1 connector supports Plug & Play (DDC2).*



*NOTE: Use an audio cable without a built-in resistor. Using an audio cable with a built-in resistor turns down the sound.*

*NOTE: An image may not be displayed correctly when a Video or S-Video source is played back via a commercially available scan converter.*

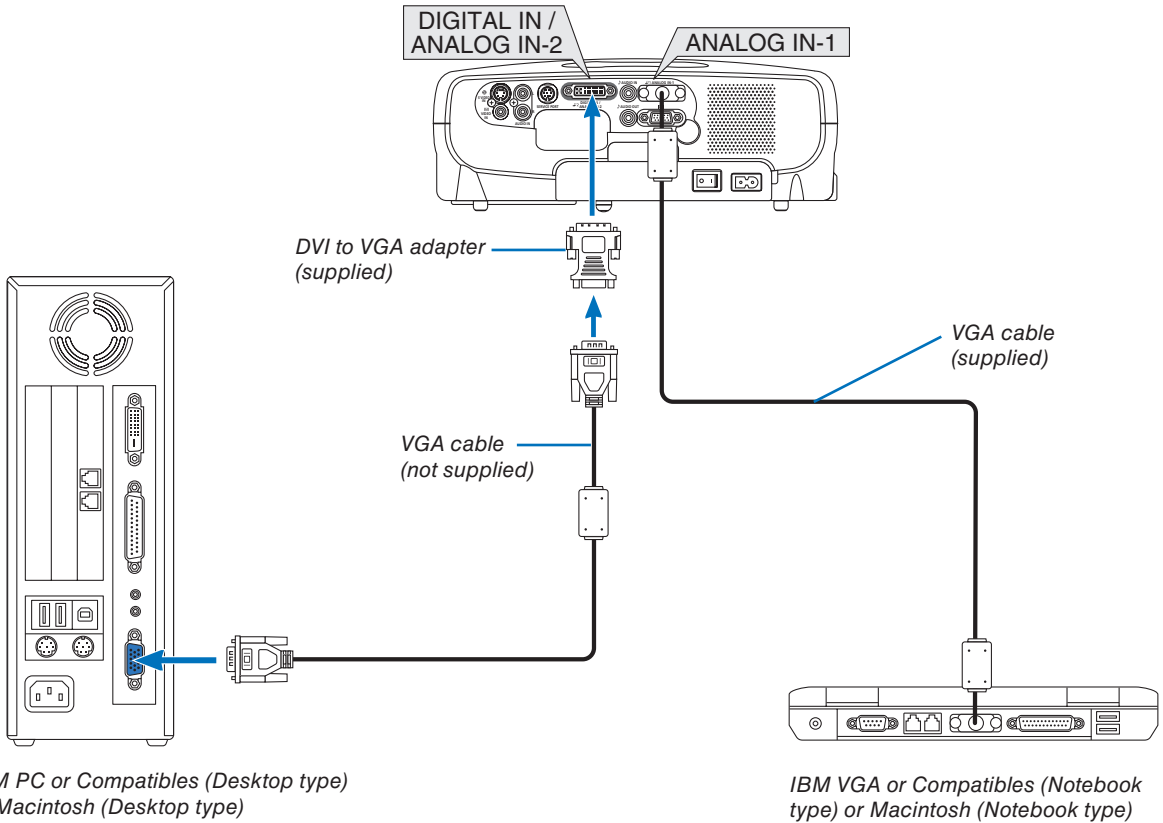
*This is because the projector will process a video signal as a computer signal at the default setting. In that case, do the following.*

*\* When an image is displayed with the lower and upper black portion of the screen or a dark image is not displayed correctly: Project an image to fill the screen and then press the AUTO PC button on the remote control or the projector cabinet.*

## 2. Installation and Connections

### Using Two Analog COMPUTER Inputs Simultaneously (LV-7265)

If you need to use two analog inputs simultaneously, connect a VGA cable as shown below.



**NOTE:** When the DVI to VGA adapter is not to be used for an extended period of time, remove it from the projector. Failure to do so may cause damage to the connector of the projector.

### **When Viewing a DVI Digital Signal (LV-7265)**

To project a DVI digital signal, be sure to connect the PC and the projector using a DVI digital cable (not supplied) before turning on your PC or projector. Turn on the projector first and select Computer 2 (Digital) from the source menu before turning on your PC.

Failure to do so may not activate the digital output of the graphics card resulting in no picture being displayed. Should this happen, restart your PC.

Do not disconnect the DVI digital cable while the projector is running. If the signal cable has been disconnected and then reconnected, an image may not be correctly displayed. Should this happen, restart your PC.

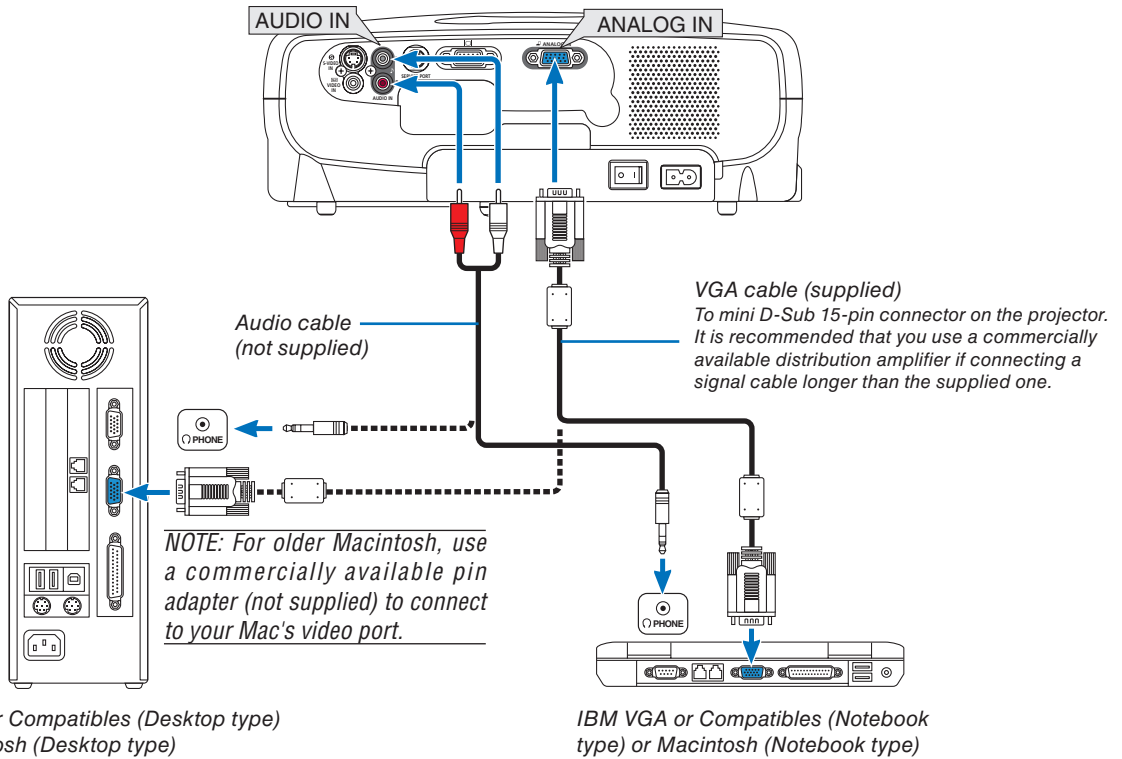
---

#### *NOTE:*

- *Use a DVI digital cable or the one compliant with DDWG (Digital Display Working Group) DVI (Digital Visual Interface) revision 1.0 standard. The DVI digital cable should be within 5 m (196") long. Both single and dual types of DVI digital cable can be used.*
  - *The DVI (DIGITAL) connector accepts VGA (640x480), SVGA (800x600), 1152x864, XGA (1024x768), SXGA (1280x1024 @ up to 60Hz) and SXGA+ (1400x1050 @ up to 60Hz).*
-

### Connecting Your PC or Macintosh Computer (LV-7260/LV-X7)

*NOTE: The ANALOG IN connector supports Plug & Play (DDC2).*



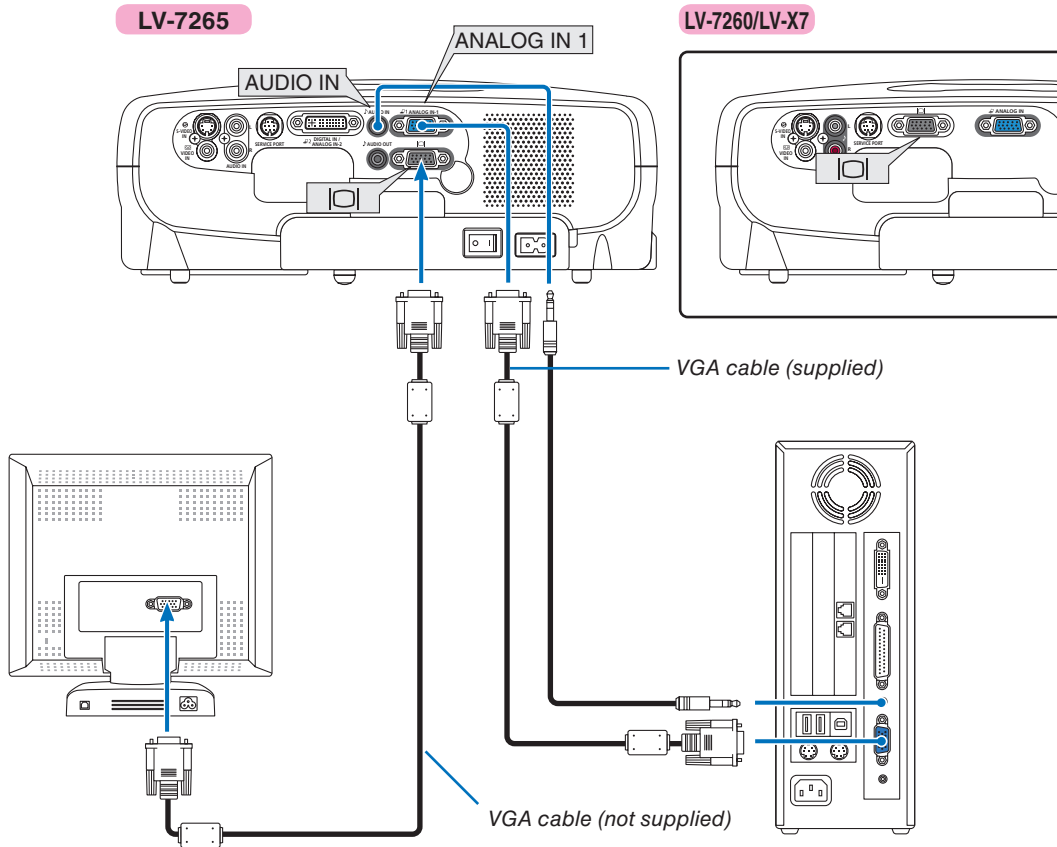
*NOTE: Use an audio cable without a built-in resistor. Using an audio cable with a built-in resistor turns down the sound.*

*NOTE: An image may not be displayed correctly when a Video or S-Video source is played back via a commercially available scan converter.*

*This is because the projector will process a video signal as a computer signal at the default setting. In that case, do the following.*

- *When an image is displayed with the lower and upper black portion of the screen or a dark image is not displayed correctly: Project an image to fill the screen and then press the AUTO PC button on the remote control or the projector cabinet.*

### Connecting an External Monitor



You can connect a separate, external monitor to your projector to simultaneously view on a monitor the RGB analog image you're projecting.

**NOTE:** Daisy chain connection is not possible.

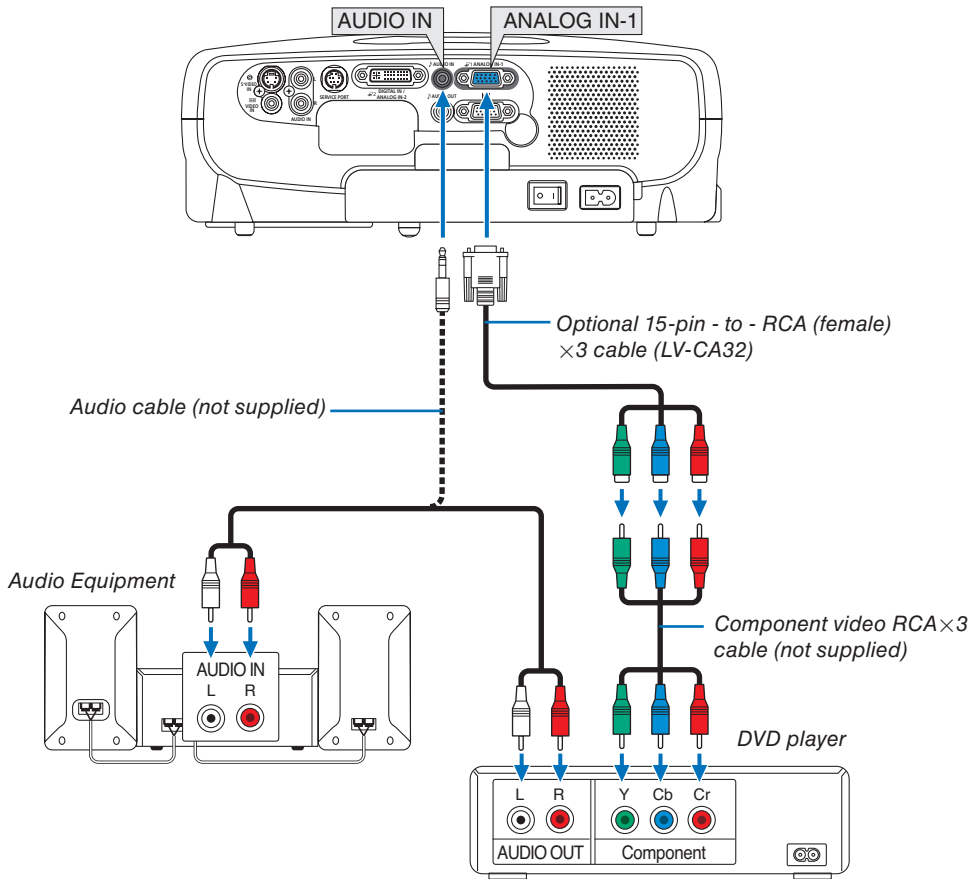
**NOTE:**

- The signal from the DIGITAL IN/ANALOG IN-2 connector cannot be output from the Monitor Output connector on LV-7265.
- When the Computer 2 (Digital) signal is selected, no signals will be output from the Monitor Output connector on LV-7265.
- The LV-7260 and LV-X7 do not have the AUDIO OUT connector.
- Use an audio cable without a built-in resistor. Using an audio cable with a built-in resistor turns down the sound.



### Connecting Your DVD Player with Component Output

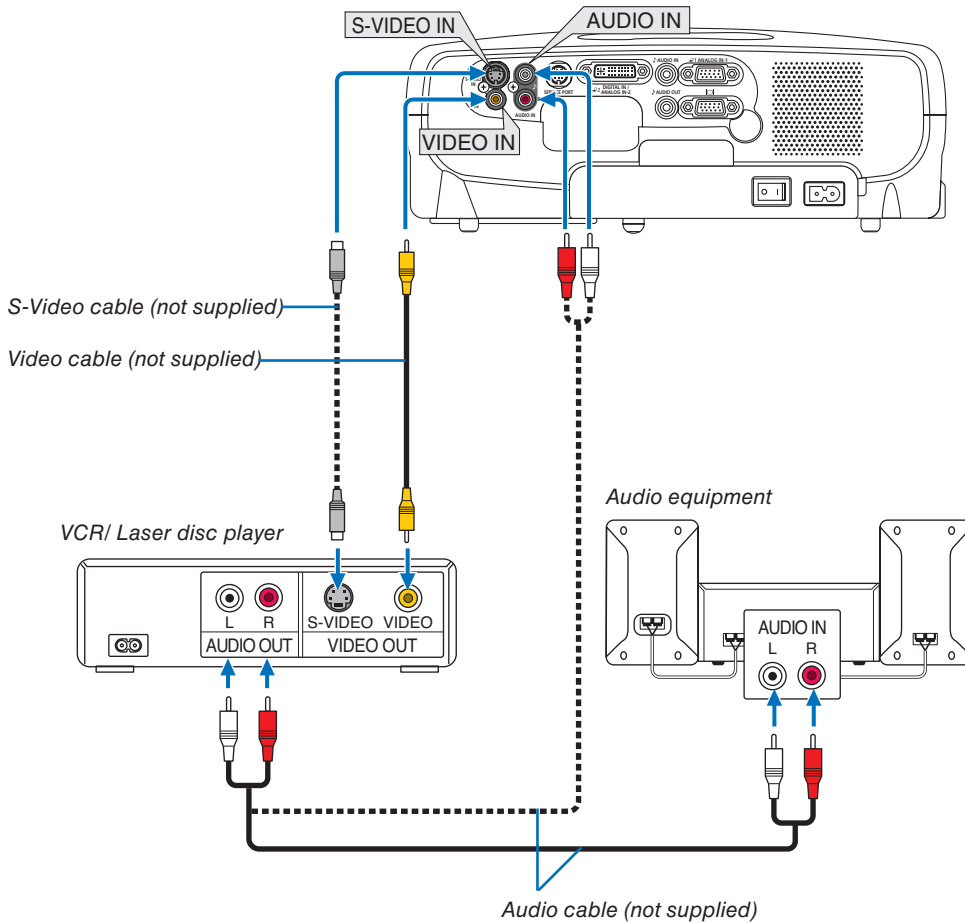
Use audio equipment for stereo sound.



A component signal will be automatically displayed. If not, from the menu, select [Setup] → [Input signal select] → [Computer 1] or [Computer 2 (Analog)] ([Computer] on LV-7260/LV-X7) → [COMPONENT].

*NOTE: Refer to your DVD player's owner's manual for more information about your DVD player's video output requirements.*

**Connecting Your VCR or Laser Disc Player**



---

*NOTE: The AUDIO IN L/MONO and R jacks (RCA) are shared between the Video and S-Video inputs.*

---

*NOTE: Refer to your VCR or laser disc player owner's manual for more information about your equipment's video output requirements.*

---

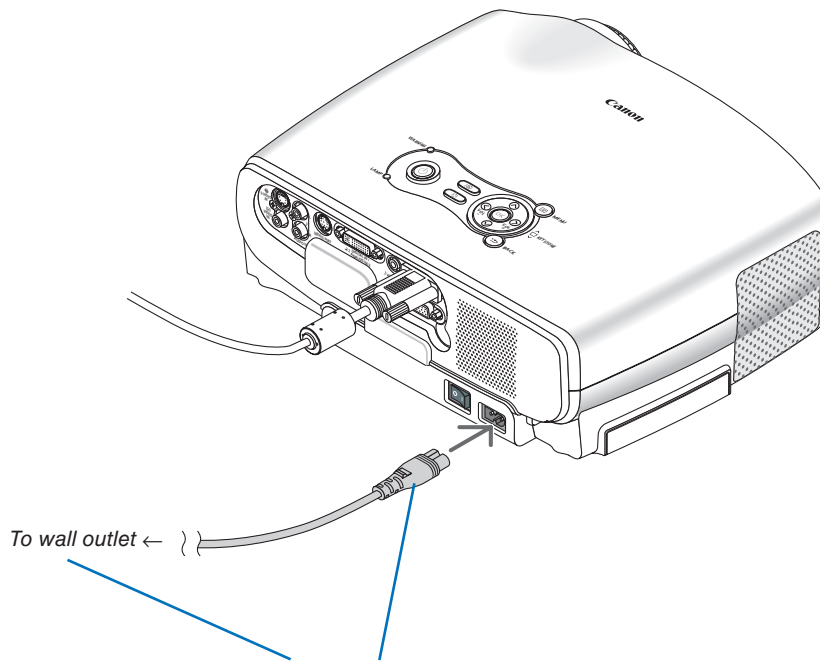
*NOTE: An image may not be displayed correctly when a Video or S-Video source is played back in fast-forward or fast-rewind via a scan converter.*

---

### Connecting the Supplied Power Cord

Connect the supplied power cord to the projector.

First connect the supplied power cord's two-pin plug to the AC IN of the projector, and then connect the other plug of the supplied power cord in the wall outlet.



Make sure that the prongs are fully inserted into both the AC IN and the wall outlet.

#### CAUTION:

Do not try to touch the ventilation outlet on the left front (when seen from the front) as it can become heated while the projector is turned on and immediately after the projector is turned off.

#### CAUTION:

Do not turn off the AC power by pressing the main power switch or by unplugging the power cord when the projector is powered on. Doing so can cause damage to the projector.

**TIP:** The projector can be turned off (by either the main power switch or by unplugging the power cord) during its cool down period after it is turned off using the remote control or via the power button on the control panel.

# 3. Projecting an Image (Basic Operation)

This section describes how to turn on the projector and to project a picture onto the screen.

## 1 Turning on the Projector

**NOTE:**

- The projector has two power switches: a main power switch and a POWER button.
- When plugging in or unplugging the supplied power cord, make sure that the main power switch is pushed to the off (O) position. Failure to do so may cause damage to the projector.

**1. To turn on the main power to the projector, press the Main Power switch to the on position ( I ).**

- The POWER indicator will light orange.  
See the Power Indicator section on page 60 for more details.

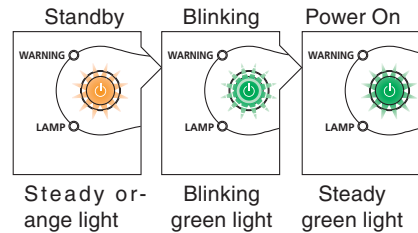
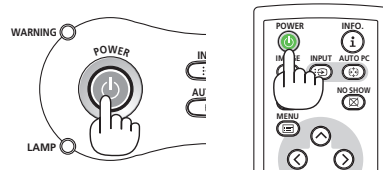
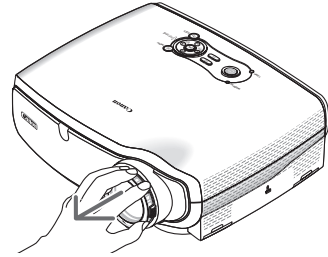
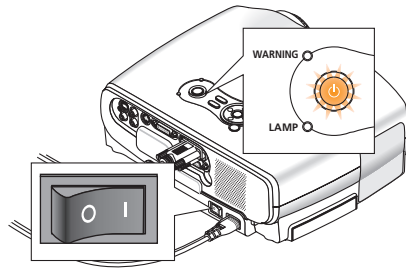
**2. Remove the lens cap.**

**3. Press the POWER button on the projector cabinet or the POWER button on the remote control for about 1 second.**

The POWER indicator will turn to green and the projector will become ready to use.

After you turn on your projector, ensure that the computer or video source is turned on and that your lens cap is removed.

**NOTE:** If you turn on the projector immediately after the lamp is turned off or when the temperature is high, the fans runs without displaying an image for some time and then the projector will display the image.



See page 60 for more details.

**CAUTION:**

The projector cannot be turned off for 60 seconds after the lamp is turned on and while the POWER indicator is blinking green. Doing so could cause premature lamp failure.

### 3. Projecting an Image (Basic Operation)

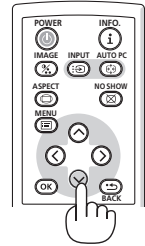
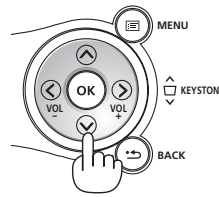
#### Note on Startup screen (Menu Language Select screen)

When you first turn on the projector, you will get the Startup menu. This menu gives you the opportunity to select one of the 21 menu languages.

To select a menu language, follow these steps:

1. Use the **SELECT** (↑) (↓) (←) or (→) button to select one of the 21 languages for the menu.

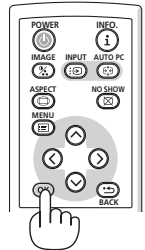
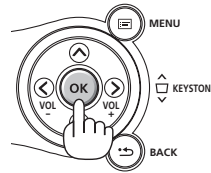
Language		
English	Dansk	Norsk
Deutsch	Português	Türkçe
Français	Čeština	Русский
Italiano	Magyar	عربي
Español	Polski	Ελληνικά
Svenska	Nederlands	中文
日本語	Suomi	한국어



2. Press the **OK** button to execute the selection.

After this has been done, you can proceed to the menu operation.

If you want, you can select the menu language later. See "Language" on pages 42 and 48.



**NOTE:** Immediately after turning on the projector, screen flicker may occur. This is normal. Wait 3 to 5 minutes until the lamp lighting is stabilized.

When the Lamp mode is set to Quiet, the LAMP indicator will light green.

If one of the following things happens, the projector will not turn on.

- If the internal temperature of the projector is too high, the projector will not turn on to protect the internal system. Please wait for the projector's internal components to cool down.
- When the lamp reaches its end of usable life, the projector will not turn on. If this happens, replace the lamp.
- If the lamp fails to light, and if the WARNING indicator flashes on and off in a cycle of six times, wait a full minute and then turn on the power.

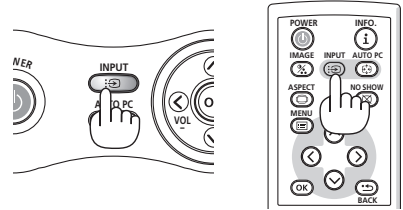
## 2 Selecting a Source

### Selecting the computer or video source

*NOTE: Turn on the computer or video source equipment connected to the projector.*

#### Selecting from INPUT List

Press and quickly release the INPUT button on the projector cabinet to display the Source list. Each time the INPUT button is pressed, the input source will change as follows: "Computer 1", "Computer 2 (Digital/Analog) [LV-7265 only]", "Video", "S-Video". To display the selected source, allow 1 second to elapse.



#### Detecting the Signal Automatically

Press and hold the INPUT button for a minimum of 2 seconds, the projector will search for the next available input source. Each time you press and hold the INPUT button for a minimum of 2 seconds, the input source will change as follows:

LV-7265

Computer 1 → Computer 2 (Digital) → Computer 2 (Analog) → Video → S-Video → Computer1 → ...

LV-7260/LV-X7

Computer → Video → S-Video → Computer → ...

*TIP: If no input signal is present, the input will be skipped.*

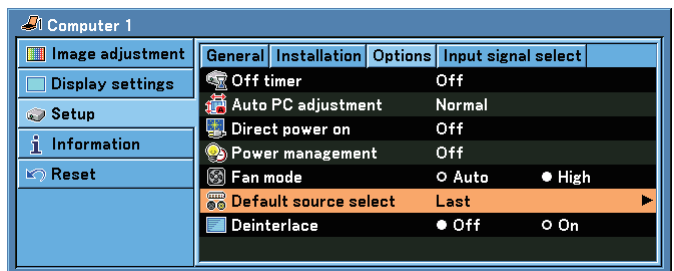
*TIP: The COMPUTER 2 button on the remote control toggles the Computer 2 source between [Computer 2 (Digital)] and [Computer 2 (Analog)].*

### Selecting Default Source

You can set a source as the default source so that it will be displayed each time the projector is turned on.

1. Select [Setup] → [Options] → [Default source select] from the menu.

The [Default source select] screen will be displayed.



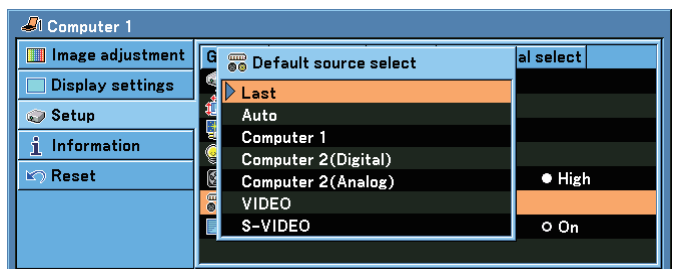
2. Select a source as the default source, and press the OK button.

3. Press the BACK button a few times to close the menu.

4. Restart the projector.

The source you selected in step 2 will be projected.

(→ page 51)



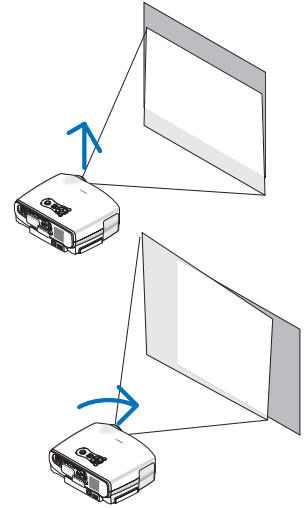
### ③ Adjusting the Picture Size and Position

Place your projector on a flat level surface and ensure that the projector is square to the screen.

Lift the front edge of the projector to center the image vertically.

- If the projected image does not appear square to the screen then use the Keystone feature for proper adjustment. See page 28 to 29.

Move the projector left to center the image horizontally on the screen.



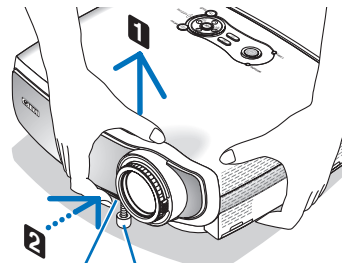
#### Adjust the Tilt Foot

1. Lift the front edge of the projector.

**⚠ CAUTION:**

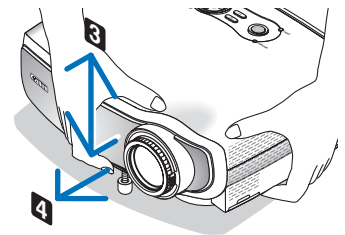
Do not try to touch the ventilation outlet during Tilt Foot adjustment as it can become heated while the projector is turned on and during its cool down period after it is turned off.

2. Push and hold the adjustable tilt foot lock button on the front of the projector to extend the adjustable tilt foot.



Adjustable Tilt Foot    Adjustable Tilt Foot Lock Button

3. Lower the front of the projector to the desired height.
4. Release the adjustable tilt foot lock button to lock the adjustable tilt foot.



There is approximately 10 degrees (up) of adjustment for the front of the projector.

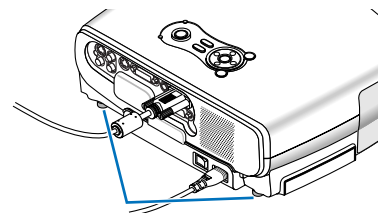
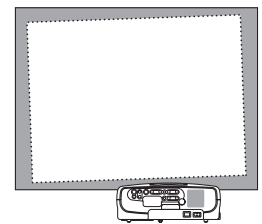
5. The rear foot height can be adjusted up to 10 mm/0.4 inch.

Rotate the rear foot to the desired height in order to square the image on the projection surface, but the vertical distance from the bottom to the desk or floor should be 10 mm/0.4 inch to make the projector horizontal on the flat surface.

*NOTE: Rotating the rear foot too much may cause the foot to come out of the projector.*

**⚠ CAUTION:**

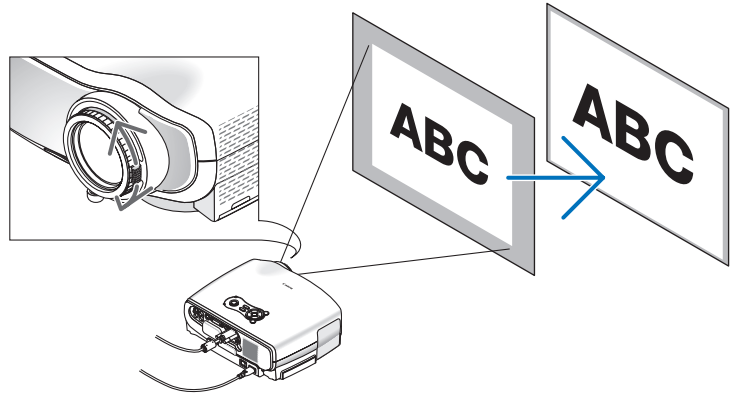
Do not use the tilt-foot for purposes other than originally intended. Misuses such as using the tilt foot to carry or hang (from the wall or ceiling) the projector can cause damage to the projector.



### 3. Projecting an Image (Basic Operation)

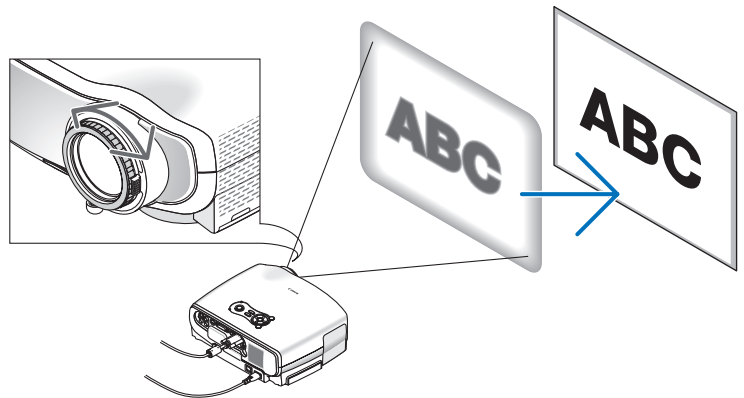
#### **Zoom**

Use the ZOOM lever to finely adjust the image size on the screen.



#### **Focus**

Use the FOCUS ring to obtain the best focus.

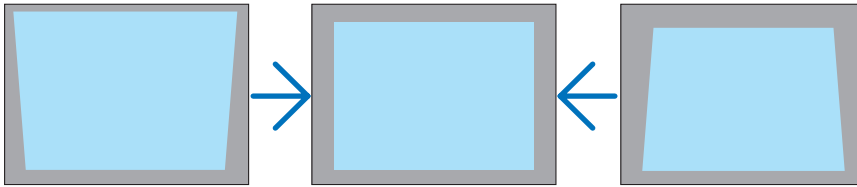




## ④ Correcting Keystone Distortion

### Correcting Keystone Distortion

If the screen is tilted vertically, keystone distortion becomes large. Proceed with the following steps to correct keystone distortion



*NOTE: The Keystone correction can cause an image to be slightly blurred because the correction is made electronically.*

*NOTE: The Keystone correction range can be made narrower, depending on a signal or its aspect ratio selection.*

*NOTE: Turning off the projector will cause your manual keystone adjustments to return to "0". To save your manual keystone adjustments, select [Keystone save] from the menu. See page 47.*

### Adjusting with buttons on the cabinet

1. Press the **SELECT** Ⓐ or Ⓑ button with no menus displayed

The keystone bar will be displayed.



2. Use the **SELECT** Ⓐ or Ⓑ to correct the keystone distortion.

The keystone bar will be closed after a period of time.

*NOTE: When the menu is displayed, the above operation is not available. When the menu is displayed, press the MENU button to close the menu and start the Keystone correction.*

*From the menu, select [Setup] → [General] → [Keystone adjustment]. The changes can be saved with [Keystone save]. (→page 47)*

### Adjusting with the Remote Control

1. Press the **MENU** button.

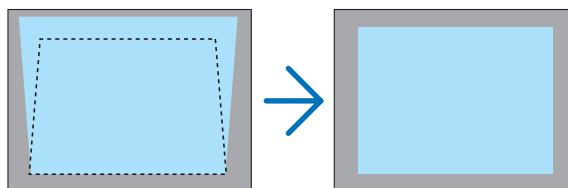
The menu will be displayed.

2. Press the **SELECT** Ⓐ button to select [Setup] and press the **OK** or **SELECT** Ⓐ button.

3. Press the **SELECT** Ⓐ button to select [Keystone adjustment] from the [General] tab.

4. Press the **SELECT** Ⓐ or Ⓑ button.

Adjust so that the image is rectangular.



5. Press the **MENU** button.

The menu will be closed.

**TIP:** The changes can be saved with [Keystone save]. (→ page 47)

#### Adjusting with the Auto Keystone Function (LV-7265 only)

The Auto Keystone correction feature will correct the vertical distortion of a projected image on the screen. No special operation required. Just put the projector on a flat surface.

*TIP: Even when the menu setting for [Auto keystone] is turned on, [Keystone adjustment] can be adjusted manually.*

To turn on [Auto keystone], proceed the following steps.

**1. Press the MENU button**

*The menu will be displayed.*

**2. Press the SELECT  $\odot$  button to select [Setup] and press the OK button.**

*The [General] tab will be highlighted.*

**3. Press the SELECT  $\odot$  button.**

*The [Auto keystone] will be highlighted.*



**4. Press the SELECT  $\triangleleft$  or  $\triangleright$  button to select [On].**

**5. Press the MENU button.**

*The menu will be closed.*

**NOTE:**

- Vertical distortions between offset angles of +/- 30 degrees can be corrected.
- The Auto Keystone correction will take effect in 2 seconds after changing the projection angle during projection.
- The left and right (horizontal) keystone correction is not available.

*Place the projector so that the lens surface is parallel to the screen.*

*The rear feet of the projector can be adjusted to level the projector.*

**NOTE:**

- Auto and Manual Keystone correction angle could be less than 30 degrees depending on the signal and/or aspect ratios.
- Using keystone correction can cause the image to be slightly blurred because the correction is made electronically.

**NOTE:**

- When the menu is displayed, the Keystone Correction operation is not available by using the buttons on the projector cabinet. When the menu is displayed, press the BACK button to close the menu and then perform the Keystone correction.
- From the menu, select [Setup] → [General] → [Keystone adjustment]. The changes can be saved with [Keystone save].  
(→ page 47)

**NOTE:** If you have one of the following conditions, the projector's Auto Keystone may not be performed correctly.

- the screen is tilted
- the room temperature is too high or too low
- the optical zoom is maximized or minimized

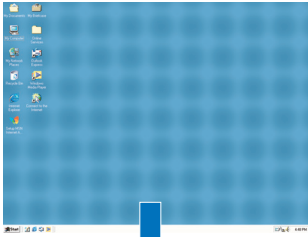
## 5 Automatically Optimizing on RGB Image

### Adjusting the Image Using Auto PC adjustment

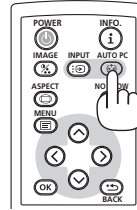
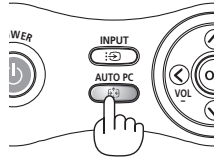
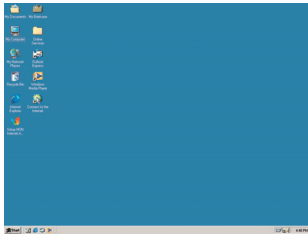
Optimizing an RGB image automatically.

Press the AUTO PC button to optimize an RGB image automatically.

[Poor picture]



[Normal picture]



Press the AUTO PC button to fine-tune the computer image or to remove any vertical banding that might appear and to reduce video noise, dot interference or cross talk (this is evident when part of your image appears to be shimmering). This function adjusts the clock frequencies that eliminate the horizontal banding in the image. This function also adjusts the clock phase to reduce video noise, dot interference or cross talk. (This is evident when part of your image appears to be shimmering.)

This adjustment may be necessary when you connect your computer for the first time.

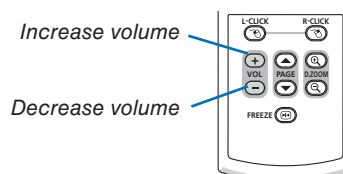
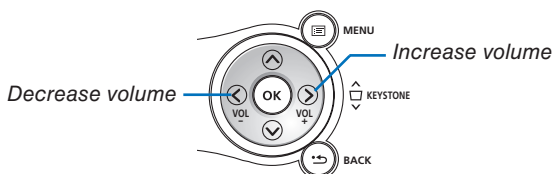
**NOTE:**

Some signals may not be displayed correctly or take time.

- LV-7265: The Auto PC adjustment function does not work for component, video, and DVI digital signals.
- LV-7260/LV-X7: The Auto PC adjustment function does not work for component and video signals.
- If the Auto PC adjustment operation cannot optimize the RGB signal, try to adjust Horizontal/Vertical Position Clock and Tracking manually. See page 46.

## 6 Turning Up or Down Volume

Sound level from the speaker can be adjusted.

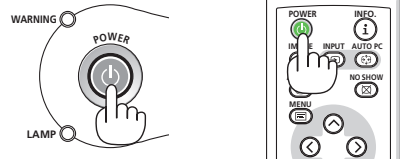


**TIP:** When no menus appear, the SELECT ◀ and ▶ buttons on the projector cabinet work as a volume control.

## 7 Turning off the Projector

To turn off the projector:

1. Press the **POWER** button on the projector cabinet or the remote control. The “Push **POWER** button again to turn off power.” message will appear.



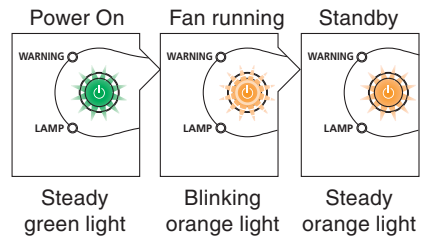
2. Press the **OK** button or press the **POWER** button again.

The **POWER** indicator will glow orange. After the projector turns off, the cooling fans keep operating for 30 seconds (Cooling-off time).

Immediately after turning on the projector and displaying an image, you cannot turn off the projector for 60 seconds.

3. Turn off the Main Power switch. The power indicator will go out.

**TIP:** The main power of the projector can be turned off by pressing the main power switch or by unplugging the power cord even during the cool down period after the projector is turned off.

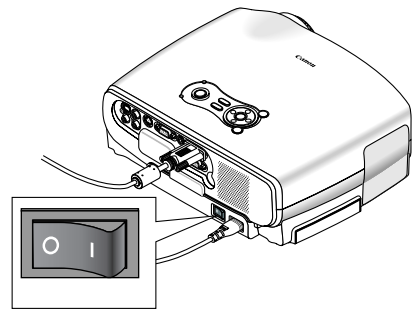


**NOTE:** Do not turn off the main power within 10 seconds of making adjustment or setting changes and closing the menu. Doing so can cause loss of adjustments and settings.

**CAUTION:**  
Parts of the projector will become heated during operation. Use caution when picking up the projector immediately after it has been operating.

**CAUTION:**

- The projector cannot be turned off for 60 seconds after the lamp is turned on and while the **POWER** indicator is blinking green. Doing so could cause premature lamp failure.
- Do not turn off the AC power by pressing the main power switch or by unplugging the power cord when the projector is powered on. Doing so can cause damage to the projector.



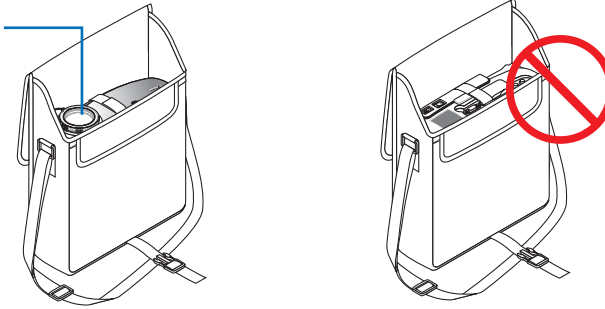
## 8 After Use

Preparation: Make sure that the projector is turned off.

1. *Unplug the power cord.*
2. *Disconnect any other cables.*
3. *Retract adjustable tilt feet if extended.*
4. *Cover the lens with the lens cap.*
5. *Put the projector and its accessories in the supplied soft case.*

*Place the projector in the soft case with the lens facing upward as shown below. This is to prevent the lens from damage.*

*Insert the projector with the lens facing upward*



*NOTE: When placing the projector in the soft case, retract the tilt feet and the rear feet. Failure to do so may cause damage to the projector.*



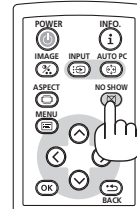
### **CAUTION:**

Use caution when putting the projector in the soft case immediately after the projector has been operating. The projector cabinet is hot.

# 4. Convenient Features

## ① Turning off the Image and Sound

Press the NO SHOW button to turn off the image and sound for a short period of time. Press again to restore the image and sound.



## ② Freezing a Picture

Press the FREEZE button to freeze a projected moving picture such as DVD. Press again to resume motion.



## ③ Enlarging and Moving a Picture

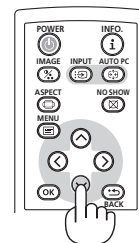
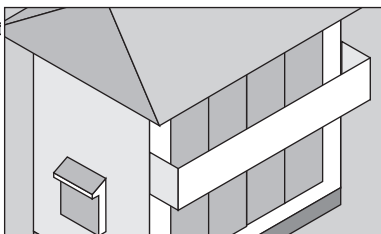
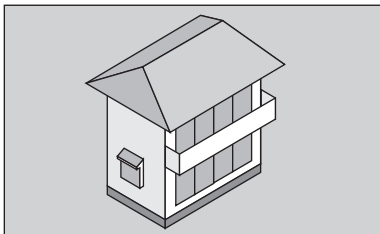
You can enlarge the picture up to 400 percent.

*NOTE: The maximum magnification may be less than four times depending on the signal.*

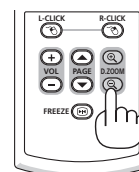
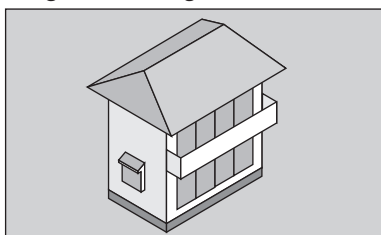
To do so:

1. Press the D. ZOOM (+) button to magnify the picture.

To move the magnified image, use the SELECT (◀▶) button.



2. Return the image to the original size.



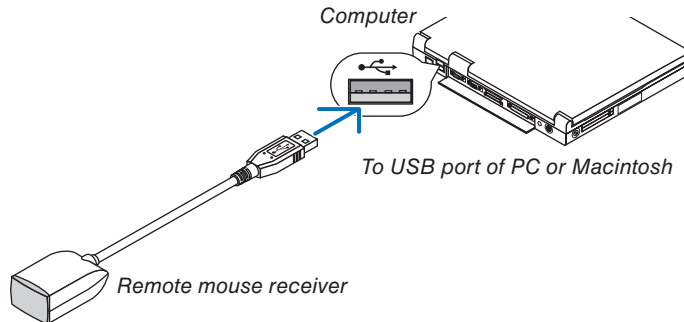
## ④ Using the Remote Mouse Receiver (LV-7265/LV-7260)

The remote mouse receiver enables you to operate your computer's mouse functions from the remote control. It is a great convenience for clicking through your computer-generated presentations.

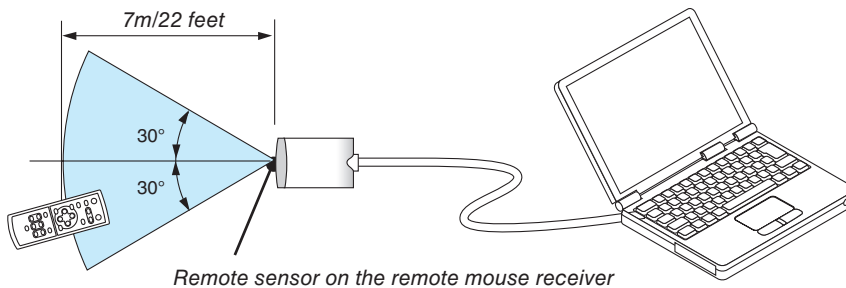
### Connecting the remote mouse receiver to your computer

If you wish to use the remote mouse function, connect the mouse receiver and computer. The mouse receiver can be connected directly to the computer's USB port (type A).

*NOTE: Depending on the type of connection or OS installed on your computer, you may have to restart your computer or change your computer settings.*



### When operating a computer via the remote mouse receiver



### Remote Control Precautions

- Handle the remote control carefully.
- If the remote control gets wet, wipe it dry immediately.
- Avoid excessive heat and humidity.
- Do not heat, take apart, or throw batteries into fire.
- Ensure that you have the batteries' polarity (+/-) aligned correctly.
- If you will not be using the remote control for a long time, remove the batteries.
- Do not place the batteries upside down.
- Do not use new and old batteries together, or use different types of batteries together.
- Dispose of used batteries according to your local regulations.

### When connecting using the USB terminal

For PC, the mouse receiver can only be used with a Windows 98/Me/XP\*, Windows 2000 or Mac OS X 10.0.0 or later operating system.

*\* NOTE: In SP1 or older version of Windows XP, if the mouse cursor will not move correctly, do the following: Clear the Enhance pointer precision check box underneath the mouse speed slider in the Mouse Properties dialog box [Pointer Options tab].*

*NOTE: Wait at least 5 seconds after disconnecting the mouse receiver before reconnecting it and vice versa. The computer may not identify the mouse receiver if it is repeatedly connected and disconnected in rapid intervals.*

### Operating your computer's mouse from the remote control

You can operate your computer's mouse from the remote control.

PAGE ▲/▼ Button.....scrolls the viewing area of the window or to move to the previous or next slide in PowerPoint on your computer.

⊙⊙⊙⊙ / Mouse Buttons.....moves the mouse cursor on your computer.

L-CLICK Button.....works as the mouse left button.

R-CLICK Button.....works as the mouse right button.

### About Drag Mode

By pressing the L-CLICK or R-CLICK button for 2 or 3 seconds then releasing, the drag mode is set and the drag operation can be performed simply by pressing the SELECT ⊙⊙⊙⊙ button. To drop the item, press the L-CLICK (or R-CLICK) button. To cancel it, press the R-CLICK (or L-CLICK) button.

---

*NOTE: When you operate the computer using the SELECT ⊙⊙⊙⊙ or ⊙ button with the menu displayed, both the menu and the mouse pointer will be affected. Close the menu and perform the mouse operation.*

---

**TIP:** You can change the Pointer speed on the Mouse Properties dialog box on the Windows. For more information, see the user documentation or online help supplied with your computer.



## 5 Preventing the Unauthorized Use of the Projector

A password can be set for your projector to avoid operation by an unauthorized user using the Menu. When a password is set, turning on the projector will display the password input screen. Unless the correct password is entered, the projector cannot project an image.

### To enable the Password function:

1. Press the **MENU** button.

The menu will be displayed.

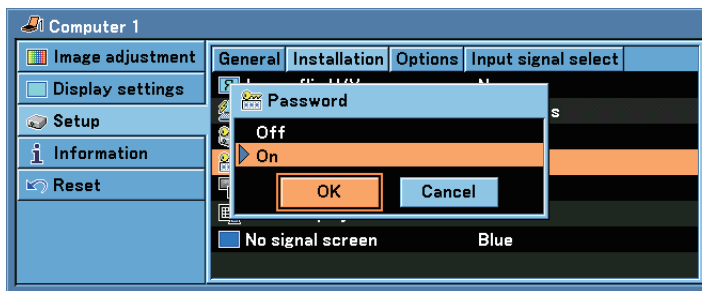
2. Use the **SELECT**  or  button to select [Setup] and press the **OK** or **SELECT**  button.



3. Use the **SELECT**  or  button to select [Installation].

4. Use the **SELECT**  or  button to select [Password] and press the **OK** or **SELECT**  button.

5. Use the **SELECT**  or  button to select [On] and press the **OK** button.

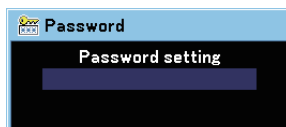


The [Password] screen will be displayed.

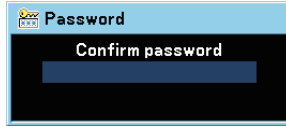
6. Type in a combination of the four **SELECT** buttons , , , and  and press the **OK** button.

To cancel this operation, press the **MENU** button.

*NOTE: A password must be 4 to 10 digits in length. Please make a note of your password.*



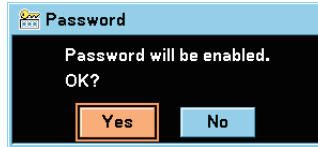
The [Confirm password] screen will be displayed.



*NOTE: Do not forget your password. If you forget your password, contact your dealer.*

7. Type in the same combination of SELECT button  $\uparrow$   $\downarrow$   $\leftarrow$   $\rightarrow$  and press the OK button.  
The confirmation screen will be displayed.

8. Select [Yes] and press the OK button.



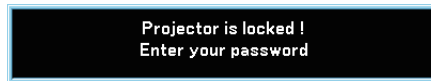
The Password function has been enabled.

### To turn on the projector when Password is enabled:

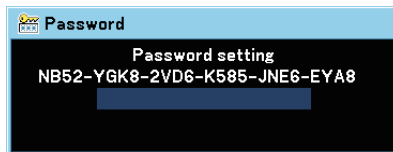
1. Press the Main Power Switch to the On position (I).

2. Press and hold the POWER button for about 1 second.

The projector will be turned on and display a message to the effect that the projector is password-protected.



3. Press the MENU button.



The Password screen will be displayed.

4. Enter your password in the Password screen and press the OK button.

You can view the projected image.

*NOTE: The password disable mode is maintained until the main power is turned off (by setting the main power switch to "0" or unplugging the power cord). Turning off the main power and turning it back on will require password entry.*

### To disable the Password function:

1. Press the MENU button.

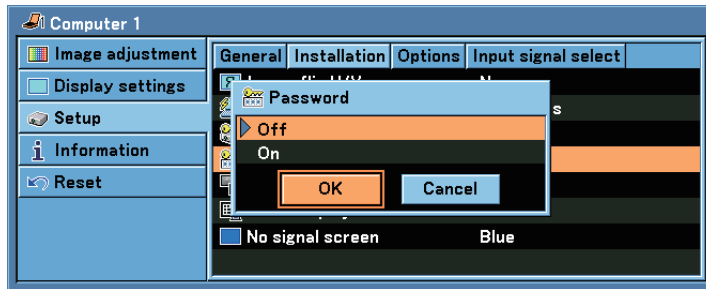
The menu will be displayed.

2. Use the SELECT  $\uparrow$  or  $\downarrow$  button to select [Setup] and press the OK or SELECT  $\rightarrow$  button.

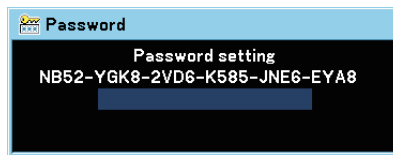
3. Use the SELECT  $\leftarrow$  or  $\rightarrow$  button to select [Installation].

4. Use the **SELECT**  or  button to select [Password] and press the **OK** or **SELECT**  button.

5. Use the **SELECT**  or  button to select [off] and press the **OK** button.



The password confirmation screen will be displayed.



6. Type in your password and press the **OK** button.

When the correct password is entered, the **Password** function will be disabled.

---

**NOTE:**

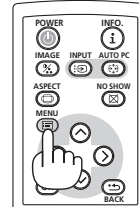
- If you forget your password, contact your dealer.
  - The [Password] setting cannot be cancelled by using the [Reset] of the menu.
-

# 5. Using On-Screen Menu

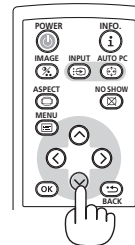
## ① Using the Menus

*NOTE: The on-screen menu may not be displayed correctly while interlaced motion video image is projected.*

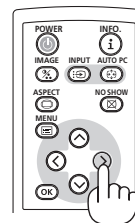
1. Press the **MENU** button on the remote control or projector cabinet to display the Menu.



2. Press the **SELECT** (up/down arrow) button on the remote control or the projector cabinet to highlight the menu for the item you want to adjust or set.

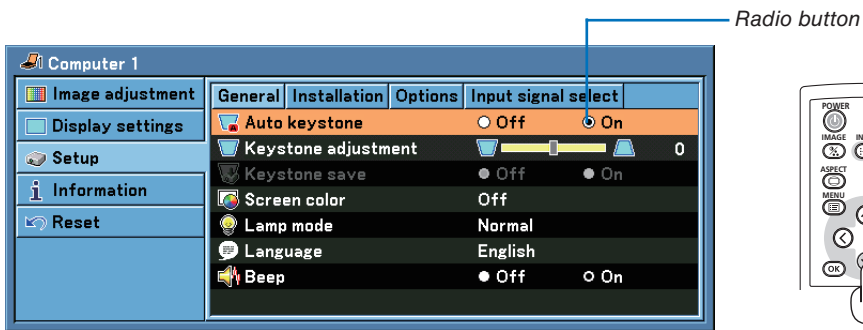
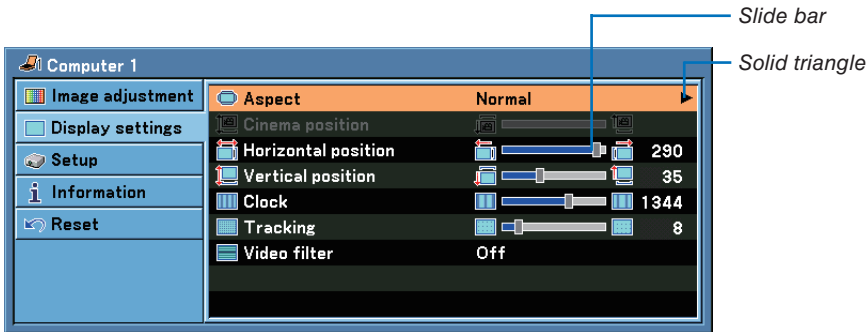


3. Press the **SELECT** (right arrow) button or the **OK** button on the remote control or the projector cabinet to select a submenu or item.



4. Use the SELECT  $\odot$  or  $\ominus$  button on the remote control or the projector cabinet to select the item you want to adjust or set.

5. Adjusting the level of a selected item or selecting an item.



**For Adjusting items (Slide bar)**

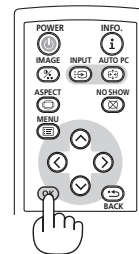
Slide bar.....Indicates settings or the direction of adjustment.

- Use the SELECT  $\odot$  buttons to adjust the item.

**For Selecting items (Solid triangle)**

Solid triangle.....Indicates further choices are available. A highlighted triangle indicates the item is active.

- (1) Use the SELECT  $\odot$  button to select the item.
- (2) Use the SELECT  $\odot$  buttons to highlight the item you want to set.
- (3) Press the OK button. The selected item will be displayed.

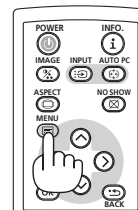


**For Selecting items (Radio button)**

Radio button .....Use this round button to select an option in a dialog box.

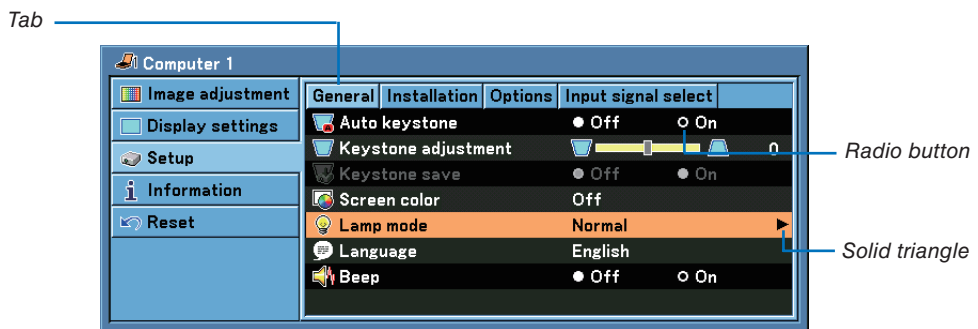
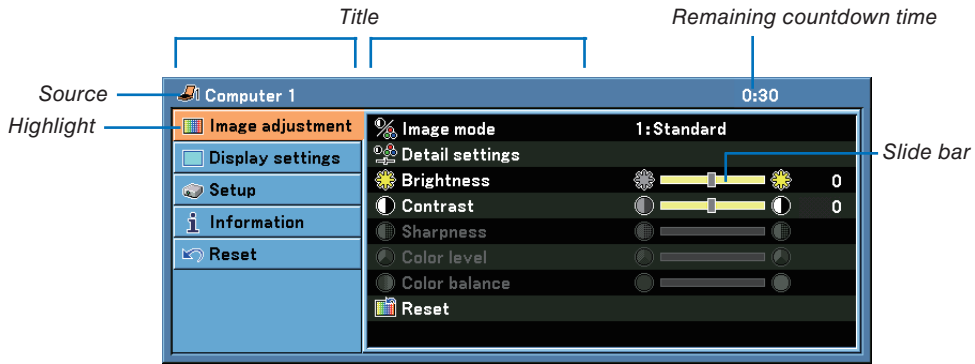
- Use the SELECT  $\odot$  buttons to select the item.

Changes are stored until you adjust it again.  
Press the BACK button to return to the previous screen.



6. Repeat steps 2-5 to adjust an additional item, or press the MENU button to close the menu.

## 2 Menu Elements



Menu windows or dialog boxes typically have the following elements:

- Title ..... Indicates the menu title.
- Highlight..... Indicates the selected menu or item.
- Source..... Indicates the currently selected source.
- Remaining countdown time..... Indicates the remaining countdown time when the Off Timer is preset.
- Slide bar ..... Indicates settings or the direction of adjustment.
- Tab..... Indicates a group of features in a dialog box. Selecting on any tab brings its page to the front.
- Radio button ..... Use this round button to select an option in a display box.
- Solid triangle..... Indicates further choices are available. A highlighted triangle indicates the item is active.
- Key symbol..... Indicates the Key Lock is enabled.
- Thermometer symbol ..... Indicates the lamp is forcibly being cooled down because the internal temperature is too high.

### ③ List of Menu Items

Some menu items are not available depending on the input source.

Image adjustment		Default	Item
Image mode			1: Standard, 2: Presentation, 3: Cinema, 4: Video, 5: sRGB
Detail settings General			
Reference			Standard, Presentation, Cinema, Video, sRGB
Gamma			Dynamic, Natural, Black detail
Color temperature			XLow, Low, Mid, High
White balance			
Brightness RGB, Contrast RGB			
Brightness			
Contrast			
Sharpness			
Color level			
Color balance			
Reset			
Display settings		Default	Item
Aspect		*	Normal, Wide zoom, Cinema, True size
Cinema position			
Horizontal position		*	
Vertical position		*	
Clock		*	
Tracking		*	
Video filter		Off	Off, Less, More
Setup		Default	Item
General			
Auto keystone (LV-7265 only)		On	Off, On
Keystone adjustment			
Keystone save		Off	Off, On
Screen color		Off	Off, Greenboard, Greenboard(Gray), Light yellow, Light green, Light blue, Sky blue, Light rose, Pink
Lamp mode		Normal	Normal, Quiet
Language		English	English, Deutsch, Français, Italiano, Español, Português, Nederlands, Svenska, Norsk, Suomi, Čeština, Magyar, Polski, Türkçe, Русский, Ελληνικά, 日本語, 中文, 한국어, عربي, Dansk
Beep		On	Off, On
Installation			
Image flip H/V		None	None / Rear, Ceiling mounted / Rear / Ceiling mounted
Communication speed		19200bps	4800bps, 9600bps, 19200bps
Key lock		Off	Off, On
Password		Off	Off, On
Menu color select		Color	Color, Monochrome
Menu display time		45 sec	Manual, 5 sec, 15sec, 45 sec
No signal screen		Blue	Blue, Black, Canon logo
Options			
Off timer		Off	Off, 0:30, 1:00, 2:00, 4:00, 8:00, 12:00, 16:00
Auto PC adjustment		Normal	Off, Normal, Fine
Direct power on		Off	Off, On
Power management		Off	Off, 0:05, 0:10, 0:20, 0:30
Fan mode		Auto	Auto, High
Default source select		LV-7265	Last
		LV-7260/LV-X7	Last
Deinterlace		On	Off, On
Input signal select			
Computer 1 (LV-7265)		RGB/COMPONENT	RGB/COMPONENT, RGB, COMPONENT
Computer 2 (Analog) (LV-7265)		RGB/COMPONENT	RGB/COMPONENT, RGB, COMPONENT
Computer (LV-7260/LV-X7)		RGB/COMPONENT	RGB/COMPONENT, RGB, COMPONENT
VIDEO		Auto	Auto, NTSC3.58, NTSC4.43, PAL, PAL-M, PAL-N, PAL60, SECAM
S-VIDEO		Auto	Auto, NTSC3.58, NTSC4.43, PAL, PAL-M, PAL-N, PAL60, SECAM

\* The asterisk (\*) indicates that the default setting varies depending on the signal.

## 5. Using On-Screen Menu

Information		Item
Usage time	Remaining lamp time	
	Lamp counter	
	Filter counter	
Input signal	Source index	
	Horizontal frequency	
	Vertical frequency	
	Input signal type	RGB, Component, HDTV, VIDEO, S-VIDEO, HDTV, Digital
	Video type	NTSC, NTSC3.58, NTSC4.43, PAL, PAL-M, PAL-N, PAL60, SECAM,
	Sync type	Separate Sync, Composite Sync, Sync on Green, Sync on video
	Scan type	Interlace, Progressive
Version	Model	
	Serial number	
	Firmware version	
	Data version	

Reset		Item
Current signal		
All data		
Lamp counter		
Filter counter		



## ④ Menu Descriptions & Functions [Image adjustment]

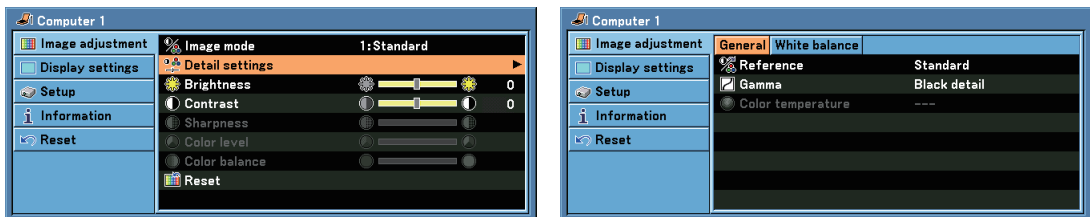
### [Image mode]



When selecting user adjustable [Image mode], the submenu will be displayed.

You can customize each gamma or color. To do so, first select [Image mode] and press the OK button, then proceed using the following steps.

### [Detail settings]



### Selecting Reference Setting [Reference]

This option allows you to adjust neutral tint for yellow, cyan or magenta. There are five factory presets optimized for various types of images, you can set user adjustable settings.

- Standard..... Select this to project an image with a similar quality to that of the original image. An image is projected with a high regard for reproduction of white.
- Presentation ..... Select this to project an image with a similar quality to that of the original image. A bright and high-contrast image is projected.
- Cinema ..... Select this to project a moving picture. A picture is projected with a high regard for color tone reproduction.
- Video ..... Select this to project a regular picture such as TV program
- sRGB ..... Select this when you want to project an image from a sRGBcompatible digital camera. An image is projected in the display mode conforming to the sRGB Standard.

### Selecting Gamma Correction Mode [Gamma]

Each mode is recommended for:

- Dynamic ..... Creates a high-contrast picture.
- Natural ..... Natural reproduction of the picture.
- Black detail ..... Emphasizes detail in dark areas of the picture.

### Adjusting Color Temperature [Color temperature]

This option allows you to select the color temperature of your choice:  
XLow, Low, Mid and High.

*NOTE: When [Standard] or [Presentation] is selected in [Reference], [Color temperature] is not available.*

**Adjusting White Balance [White balance]**

This allows you to adjust the white balance. Brightness for each color (RGB) is used to adjust the black level of the screen; Contrast for each color (RGB) to adjust the white level of the screen.

**Adjusting Brightness, Contrast, Sharpness, Color level and Color balance**

You can adjust brightness, contrast, sharpness, color level and color balance.

- Brightness ..... Adjusts the brightness level or the black level of the image.
- Contrast..... Adjusts the intensity of the image according to the incoming signal (White level of the image).
- Sharpness..... Controls the detail of the image for Video (not valid for RGB).
- Color level..... Increases or decreases the color saturation level (not valid for RGB).
- Color balance ..... Varies the color level from +/- green to +/-blue. The red level is used as reference. This adjustment is only valid for Video and Component inputs (not valid for RGB).

**Reset**

The settings and adjustments for [Image adjustment] will be returned to the factory settings with the exception of the following; numbers and [Reference] within the [Image mode] screen.

The settings and adjustments under [Detail settings] within the [Image mode] screen that are not currently selected will not be reset.

**5 Menu Descriptions & Functions [Display settings]**

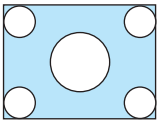
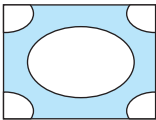
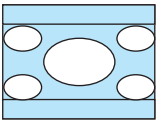
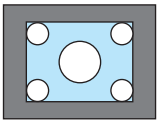
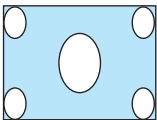
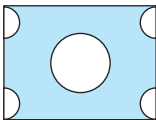
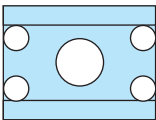


**Selecting Aspect Ratio [Aspect]**

Aspect allows you to select the best Aspect mode to display your source image.

You can also display the Aspect menu by pressing the ASPECT button on the remote control.

True size (RGB only): Turns off the scaling feature. The projector displays the current image in its true resolution.

	<i>Normal</i>	<i>Wide zoom</i>	<i>Cinema</i>	<i>True size</i>
When 4:3 is selected from the source (i.e. DVD player), the following selections will display:				
	<i>Standard 4:3 Aspect</i>	<i>Left and right stretched</i>	<i>Left and right stretched</i>	
	<i>Normal</i>	<i>Wide zoom</i>	<i>Cinema</i>	
When 16:9 is selected from the source (i.e. DVD player), the following selections will display:				
	<i>16:9 image displayed in 4:3 mode</i>	<i>Left and right stretched</i>	<i>Left and right stretched to display the true aspect</i>	

**NOTE:**

- When you are displaying an RGB image with a higher resolution than the projector's native resolution, the image will be displayed in the projector's native resolution. In this case [True size] is not available from the menu. Only when displaying an RGB image with a lower resolution than the projector's native resolution, will the image be able to be displayed in its true resolution [True size].  
When Computer 2 (Digital) is selected, some options of Aspect Ratio are not available depending on the signal.
- You can adjust the image position for Cinema aspect. See [Cinema position] for setting the image position.

**Copyright**

Please note that using this projector for the purpose of commercial gain or the attraction of public attention in a venue such as a coffee shop or hotel and employing compression or expansion of the screen image with a [Aspect] setting may raise concern about the infringement of copyrights which are protected by copyright law.

---

**Adjusting the Vertical Position of Image [Cinema position] (for Cinema in Aspect only)**

This feature adjusts the vertical position of the image when viewing video with Cinema aspect ratio selected. When [Cinema] is selected in [Aspect], the image is displayed with black borders on the top and bottom. You can adjust the vertical position from the top to the bottom of the black area.

---

*NOTE: This option is available only when [Cinema] is selected in [Aspect].*

---

**Adjusting Horizontal/Vertical Position, Clock and Tracking (available for RGB signal only)**

You can adjust the image manually for position and stability; [Horizontal position], [Vertical position], [Clock] and [Tracking].

[Horizontal/Vertical position]

Adjusts the image location horizontally and vertically.

[Clock]

Use this item to fine tune the computer image or to remove any vertical banding that might appear. This function adjusts the clock frequencies that eliminate the horizontal banding in the image. This adjustment may be necessary when you connect your computer for the first time.

[Tracking]

Use this item to adjust the clock phase or to reduce video noise, dot interference or cross talk. (This is evident when part of your image appears to be shimmering.)  
Use [Tracking] only after the [Clock] is complete.

---

*NOTE: A projected image may not be displayed correctly during adjustment of [Clock] or [Tracking]. This is normal.*

---

---

*NOTE: The [Horizontal position] and [Vertical position] options can be adjusted for component signals.*

---

**Selecting Video Filter Level [Video filter] (not available for Digital RGB, Video and S-Video)**

Select one of the three levels for reducing video noise: Off, Less or More.

Off ..... The low-pass filter is turned off.

Less..... The low-pass filter is applied partially.

More..... The low-pass filter is applied fully.

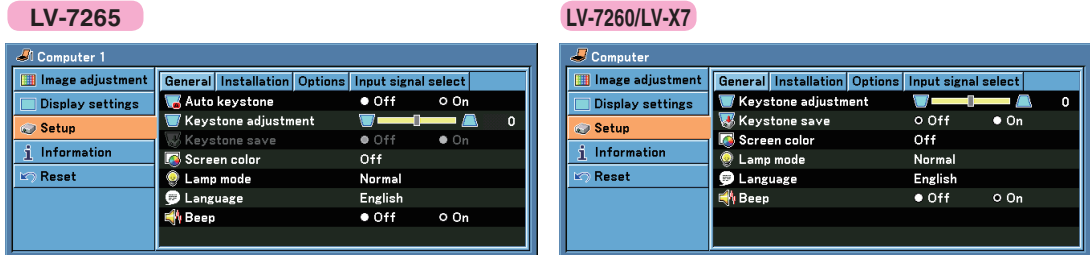
---

*NOTE: Selecting [Off] will give best image quality by way of higher bandwidth. Selecting [Less] will soften the image and selecting.*

---

## 6 Menu Descriptions & Functions [Setup]

### [General]



#### Enabling Auto Keystone [Auto keystone] (LV-7265 only)

This feature allows the projector to detect its tilt and correct vertical distortion automatically. To turn off the Auto Keystone feature, select [Off].

#### Correcting Vertical Keystone Distortion Manually [Keystone adjustment]

You can correct vertical distortion manually.

#### Saving Vertical Keystone Correction [Keystone save]

This option enables you to save your current keystone settings.

Off..... Does not save current keystone correction settings

On..... Saves current keystone correction settings

Saving your change once affects all sources. The changes are saved when the projector is off.

---

*NOTE: When [Auto keystone] is set to [On], [Keystone save] is not available. Next time you turn on the power, the Auto keystone function will work and the data stored with [Keystone save] will be invalid.*



---

#### Selecting Wall Color Correction Mode [Screen color]

This function allows for quick adaptive color correction in applications where the screen material is not white. The following nine options are available: Off, Greenboard, Greenboard (Gray), Light yellow, Light green, Light blue, Sky blue, Light rose and Pink.


### Selecting Lamp Mode [Lamp mode]

This feature enables you to select two brightness modes of the lamp: Normal and Quiet modes. The lamp life can be extended by using the Quiet mode.

Lamp Mode	Description	Status of LAMP indicator
Normal Mode	This is the default setting (100% Brightness).	Off 
Quiet Mode	Select this mode to increase the lamp life (approx. 80% Brightness).	Steady Green light 

**NOTE:**

- The lamp life remaining and lamp hours used can be checked in [Usage time]. Select [Information] → [Usage time].
- If the projector is overheated in Normal mode, there may be a case where the Lamp mode automatically changes to Quiet mode to protect the projector. This is called “forced cooling operation”. When the projector is in a forced cooling operation, the picture brightness decreases. When the projector comes back to normal temperature, the Lamp mode returns to Normal mode.

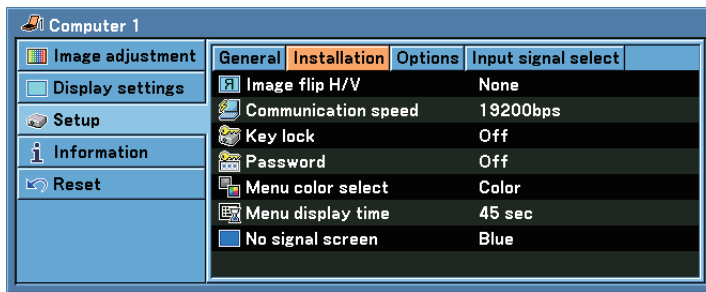
Thermometer symbol [  ] indicates the lamp mode is automatically set to a forced cooling operation because the internal temperature is too high. In this condition, changing [Lamp mode] setting in the menu will not affect the actual lamp mode and the LAMP indicator lights green.

### Selecting Menu Language [Language]

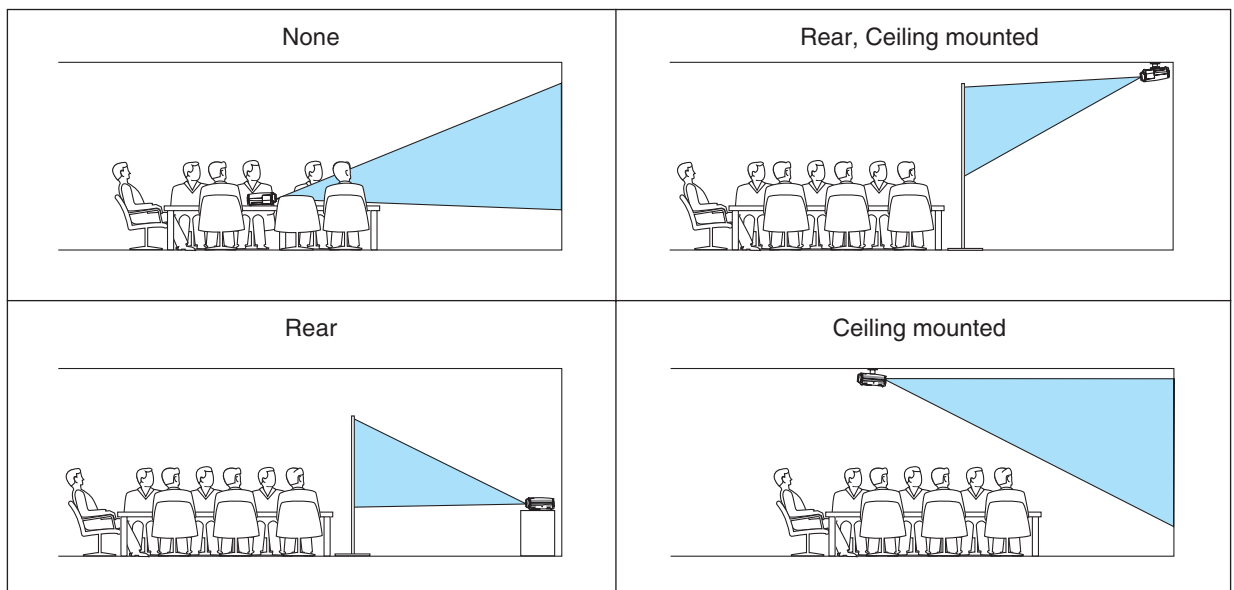
You can choose one of 21 languages for the on-screen menu.

### Enabling Key Sound and Error Sound [Beep]

This feature turns on or off the keypad sound or alarm when a button on the cabinet and the remote control is pressed or an error occurs.

**[Installation]****Selecting Projector Orientation [Image flip H/V]**

This sets your image for your type of projection application. The options are: front projection, rear projection, ceiling mounted projection and rear ceiling mounted projection.

**Selecting Communication Speed [Communication speed]**

This feature sets the baud rate of the SERVICE PORT (Mini DIN 8 Pin). It supports data rates from 4800 to 19200 bps.

The default is 19200 bps.

Select the appropriate baud rate for your equipment to be connected (depending on the equipment, a lower baud rate may be recommended for long cable runs).

Your selected communication speed will not be affected even when [Reset] is done from the menu.

**Disabling the Cabinet Buttons [Key lock]**

This option turns on or off the Key Lock function for cabinet buttons.

**NOTE:**

- The Key lock setting will not affect the remote control or PC control functions.
- When the cabinet buttons are disabled, pressing and holding the BACK button on the projector cabinet for about 10 seconds will change the setting to enable.
- The Key lock icon will be displayed at the top right of the menu when Key lock is enabled.

**Enabling Password [Password]**

This feature turns on or off the Password function.

Unless the correct password is entered, the projector cannot project an image. (→page 36)

**Selecting Menu Color [Menu color select]**

You can choose between two color modes for menu color: color and monochrome.

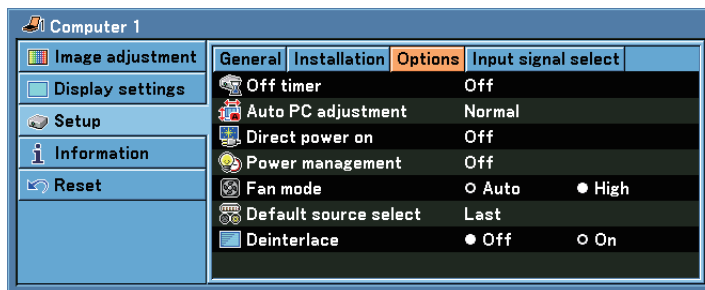
**Selecting Menu Display Time [Menu display time]**

This option allows you to select how long the projector waits after the last touch of a button to turn off the menu.

The preset choices are [Manual], [5 sec], [15 sec], and [45 sec].

**Selecting a Color for Background [No signal screen]**

Use this feature to display a blue, black screen or the Canon logo screen when no signal is available.

**[Options]****Setting Off Timer [Off timer]**

You can use the Off Timer feature to turn off the projector automatically at a preset time.

Eight preset times can be selected: Off, 0:30, 1:00, 2:00, 4:00, 8:00, 12:00 and 16:00.

**Setting Auto Adjust [Auto PC adjustment]**

Selecting [Normal] or [Fine] will automatically execute Auto PC adjustment function at the time of signal switching.

This feature sets the Auto PC adjust mode so that the analog RGB image can be automatically or manually adjusted for noise and stability. You can automatically make adjustment in two ways: Normal and Fine

Off..... The RGB image will not be automatically adjusted.

You can manually optimize the RGB image.

Normal..... Default setting. The RGB image will be automatically adjusted. Normally select this option.

Fine..... Select this option if fine adjustment is needed. It takes more time to switch to the source than when [Normal] is selected.

**Enabling Direct Power ON [Direct power on]**

Turns the projector on automatically when the power cord is inserted into an active power outlet. This eliminates the need to always use the POWER button on the remote control or projector cabinet.

To use the [Direct power on] function, you must first press the main power switch to the position "On" (I) before plugging the power cord.

**Enabling Power Management [Power management]**

When this option is selected you can enable the projector to automatically turn off (at the selected time: 5 min., 10 min., 20 min., 30 min.) if there is no operation with no signal received by any input.

### Enabling Fan Speed Mode [Fan mode]

This option allows you to select two modes for fan speed: Auto mode and High speed mode.

Auto ..... The built-in fans automatically run at a variable speed according to the internal temperature.

High ..... The built-in fans run at a fixed high speed.

When you wish to cool down the temperature inside the projector quickly, select [High].

---

*NOTE: It is recommended that you select High speed mode if you continue to use the projector for consecutive days.*

---

### Selecting Default Source [Default source select]

You can set the projector to default to any one of its inputs each time the projector is turned on.

Last ..... Sets the projector to default to the previous or last active input each time the projector is turned on.

Auto ..... Searches for an active source in order of Computer 1 → Computer 2 (Digital) → Computer 2 (Analog) → Video → S-Video → Computer 1 and displays the first found source.

---

*NOTE: The LV-7260/LV-X7 will search for an active source in order of Computer → Video → S-Video → Computer and displays the first found source.*

---

Computer 1 ..... Displays the RGB source from the Computer 1 Input [ANALOG IN-1] connector every time the projector is started up. (LV-7265 only)

Computer 2 (Digital) ... Displays the DVI digital source from the Computer 2 Input [DIGITAL IN/ANALOG IN-2] (Digital) connector every time the projector is started up. (LV-7265 only)

Computer 2 (Analog) .. Displays the RGB source from the Computer 2 Input [DIGITAL IN/ANALOG IN-2] (Analog) connector every time the projector is started up. (LV-7265 only)

Computer ..... Displays the RGB source from the Computer Input [ANALOG IN] connector every time the projector is started up. (LV-7260/LV-X7 only)

Video ..... Displays the Video source from the VIDEO IN connector every time the projector is started up.

S-Video ..... Displays the Video source from the S-VIDEO IN connector every time the projector is started up.

### Enabling the deinterlace [Deinterlace]

Turns on or off the deinterlace function for a telecine signal.

On ..... Default standard setting.

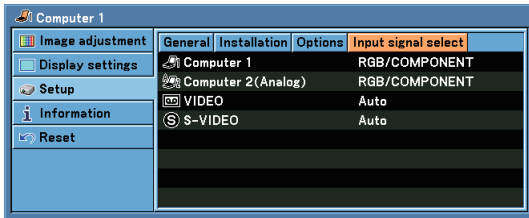
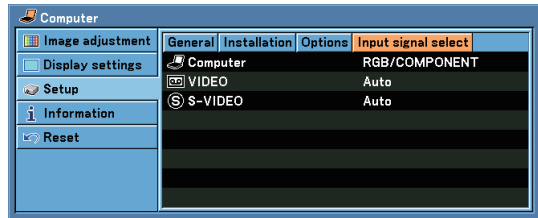
Off ..... Select this option if there is any jitter or artifacts in video.

---

*NOTE: This feature is not available for RGB, 480p, 576p, and HDTV signals.*

---



**[Input signal select]****LV-7265****LV-7260/LV-X7****Selecting Signal Format**

[Computer]\*, [Computer 1]\*, [Computer 2 (Analog)]\*

Allows you to choose [Computer]\*, [Computer 1]\* or [Computer 2 (Analog)]\* for an RGB source such as a computer, or [COMPONENT] for a component video source such as a DVD player. Normally select [RGB/COMPONENT] and the projector automatically detects a component signal. However there may be some component signals that the projector is unable to detect. If this is the case, select [COMPONENT].

\* [Computer]: LV-7260/LV-X7 only

\* [Computer 1] / [Computer 2 (Analog)]: LV-7265 only

[Video & S-Video System Select]

This feature enables you to select composite video standards automatically or manually.

Normally select [Auto] and the projector will automatically detect the video standard.

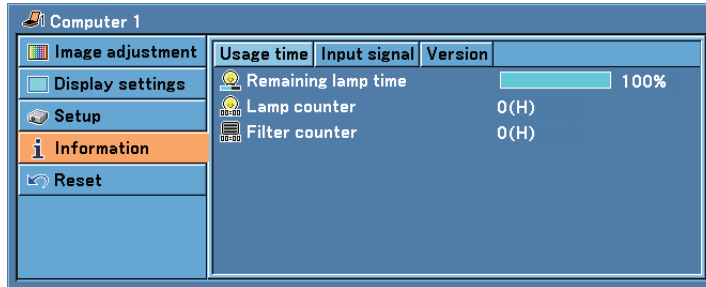
In the case where the projector has difficulty detecting the video standard, select the appropriate video standard from the menu.

This must be done for VIDEO and S-VIDEO respectively.

## 7 Menu Descriptions & Functions [Information]

Displays the status of the lamp / filter / projector usage and the current signal. This item has three pages. The information included is as follows:

### [Usage time]

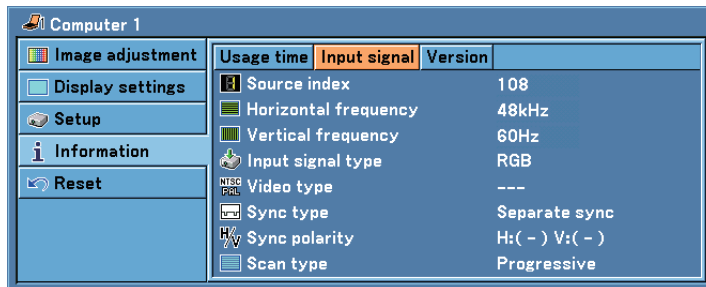


[Remaining lamp time] (%)\*      [Lamp counter] (H)  
[Filter counter] (H)

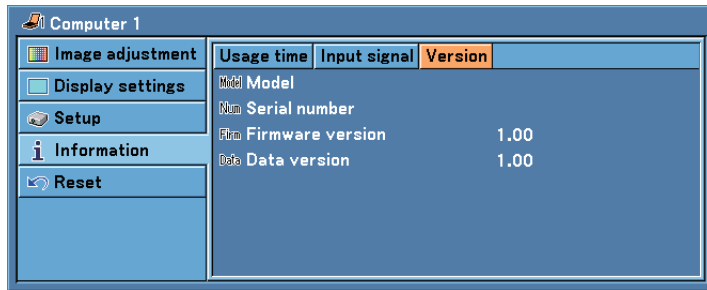
- \* The progress indicator shows the percentage of remaining bulb life.  
When the remaining lamp time reaches 0, the Remaining lamp time bar indicator changes from 0% to 100 Hours and starts counting down.  
If the remaining lamp time reaches 0 hours, the projector will not turn on regardless of whether the lamp mode is set to Normal or Quiet.

Model	Lamp life(H)		Replacement lamp
	Normal	Quiet	
LV-7265/LV-7260	2000	3000	LV-LP26
LV-X7	3000	4000	LV-LP27

### [Input signal]



[Source index]                      [Horizontal frequency]  
[Vertical frequency]              [Input signal type]  
[Video type]                        [Sync type]  
[Sync polarity]                      [Scan type]

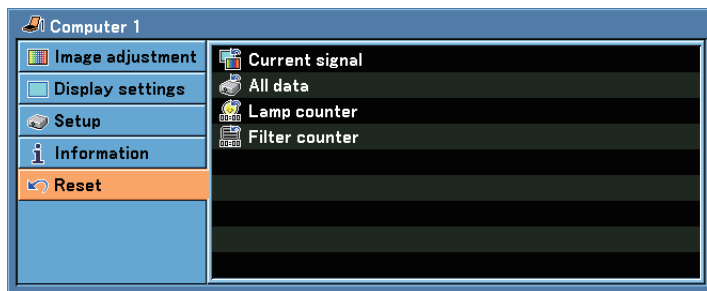
**[Version]**

[Model]

[Firmware version]

[Serial number]

[Data version]

**8 Menu Descriptions & Functions [Reset]****Resetting settings and adjustments [Reset]**

The Reset feature allows you to change adjustments and settings to the factory preset for a (all) source (s) except the following:

[Current signal]

Resets the adjustments for the current signal to the factory preset levels.

The items that can be reset are: [Image mode], [Brightness], [Contrast], [Sharpness], [Color level], [Color balance], [Aspect], [Horizontal position], [Vertical position], [Clock], [Tracking] and [Video filter].

[All data]

Reset all the adjustments and settings for all the signals to the factory preset.

All items can be reset except [Language], [Communication speed], [Password], [Remaining lamp time], [Lamp counter] and [Filter counter].

**Clearing Lamp Hour Meter [Lamp counter]**

Resets the lamp clock back to zero. Selecting this option displays submenu for a confirmation. Select [Yes] and press the OK button.

---

*NOTE: Elapsed time of the lamp use will not be affected even when [Reset] is done from the menu.*

---

*NOTE: The projector will turn off and go into standby mode after 2100\* hours (up to 3100\* hours in Quiet mode) of service. If this happens, press the INFO button on the remote control for ten seconds to reset the lamp clock back to zero. Do this only after replacing the lamp. \* LV-X7: 3100 hours (up to 4100 hours in Quiet mode).*

---

*NOTE: Resetting the lamp counter before or without replacing the lamp will not display the exact lamp usage hours. Using the lamp beyond its service life may cause the lamp to break. Be sure to reset the lamp counter after replacing the lamp.*

---

**Clearing the Filter Usage Hours [Filter counter]**

Resets the filter usage back to zero. Selecting this option displays submenu for a confirmation. Select [Yes] and press the OK button.

---

*NOTE: Elapsed time of the filter use will not be affected even when [Reset] is done from the menu.*

---

# 6. Maintenance

This section describes the simple maintenance procedures you should follow to clean the filter and replace the lamp.

## ① Cleaning or Replacing the Filter

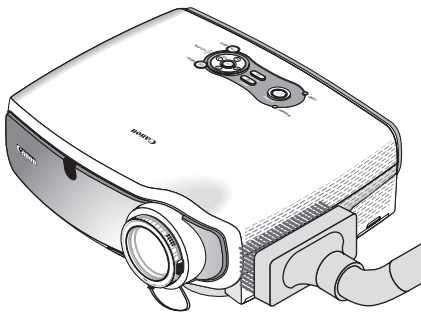
The air-filter sponge keeps dust and dirt from getting inside the projector and should be cleaned after every 100 hours of operation (more often in dusty conditions). If the filter is dirty or clogged, your projector may overheat.

### CAUTION

- Turn off the projector, turn off the main power switch and unplug the projector before replacing the filter.
- Only clean the outside of the filter cover with a vacuum cleaner.
- Do not attempt to operate the projector without the filter cover.

### To clean the air-filter:

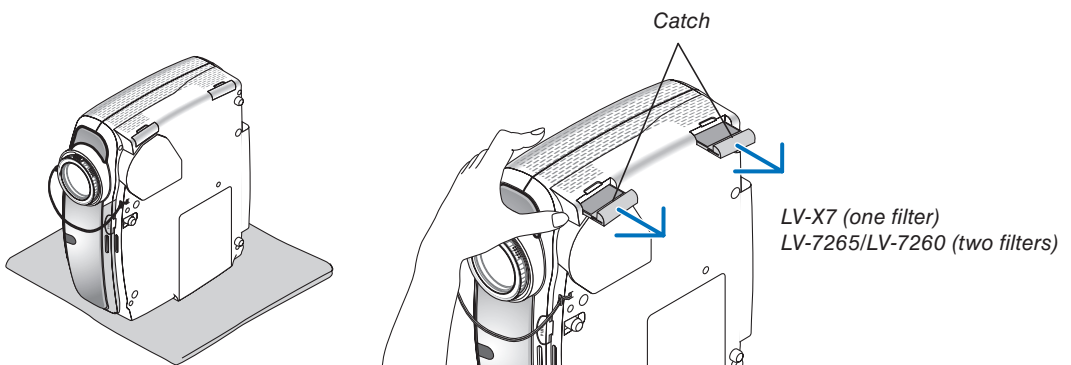
Vacuum the filter through the filter cover.



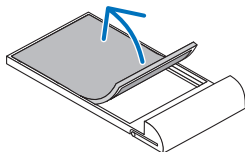
To reset the filter usage time, from the menu, select [Reset] → [Filter counter].  
See also page 54 for resetting the filter usage time.

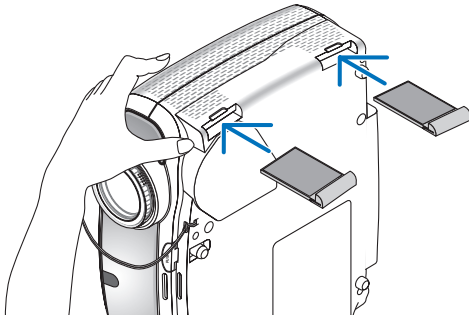
### To replace the filter (sponge):

1. Remove the filter cover by pushing down on the catch of the cover until you feel it detach.



2. Gently peel off the filter (sponge) and replace it with the new one.



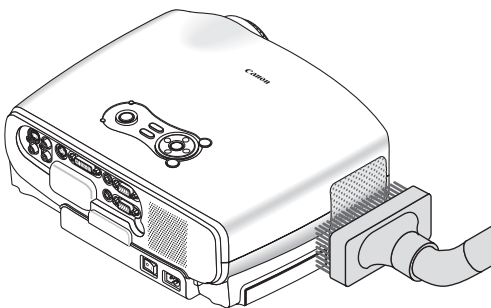
**3. Reinstall the new filter cover.**

*NOTE: Do not wash the filter with soap and water. Soap and water will damage the filter membrane. Before replacing the filter, remove dust and dirt from the projector cabinet. Keep out dust and dirt during filter replacement.*

*NOTE: When you replace the lamp, it is also wise to replace the filter. The filter comes in the same package with your replacement lamp.*

**4. Turn on the projector.****5. Reset the Filter counter. See page 54.****② Cleaning the Cabinet and the Lens**

1. Turn off the projector before cleaning.
2. Clean the cabinet periodically with a damp cloth. If heavily soiled, use a mild detergent. Never use strong detergents or solvents such as alcohol or thinner.
3. Use a blower or lens paper to clean the lens, and be careful not to scratch or mar the lens.



### ③ Replacing the Lamp

After your lamp has been operating for 2000\*<sup>1</sup> hours (up to 3000\*<sup>1</sup> hours in Quiet mode) or longer, the LAMP indicator in the cabinet will blink red and the message “**Replace with the new lamp.**”<sup>\*\*2</sup> will appear. Even though the lamp may still be working, replace it at 2000\*<sup>1</sup> (up to 3000\*<sup>1</sup> hours in Quiet mode) hours to maintain optimal projector performance. After replacing the lamp, be sure to clear the lamp counter. See page 54.

#### CAUTION

- DO NOT TOUCH THE LAMP immediately after it has been used. It will be extremely hot. Turn the projector off, wait 30 seconds, turn off the main power switch and then disconnect the power cord. Allow at least one hour for the lamp to cool before handling.
- DO NOT REMOVE ANY SCREWS except two lamp case screws. You could receive an electric shock.
- Do not break the glass on the lamp housing.  
Keep finger prints off the glass surface on the lamp housing. Leaving finger prints in the glass surface might cause an unwanted shadow and poor picture quality.
- The projector will turn off and go into standby mode after 2100\*<sup>1</sup> (up to 3100\*<sup>1</sup> hours in Quiet mode) hours of service. If this happens, be sure to replace the lamp. If you continue to use the lamp after 2000\*<sup>1</sup> hours (up to 3000\*<sup>1</sup> hours in Quiet mode) of use, the lamp bulb may shatter, and pieces of glass may be scattered in the lamp case. Do not touch them as the pieces of glass may cause injury. If this happens, contact your dealer for lamp replacement.

---

\*<sup>1</sup> NOTE: Lamp life for LV-X7 is 3000 hours in Normal mode and 4000 hours in Quiet mode.

The projector will turn off and go into standby mode after 3100 (up to 4100 hours in Quiet mode) hours of service.

A lamp may burn out before the LAMP indicator blinks.

---

\*<sup>2</sup> NOTE: This message will be displayed under the following conditions:

- for one minute after the projector has been powered on
- when the POWER button on the projector cabinet or on the remote control is pressed

To turn off the message, press any button on the projector cabinet or the remote control.

---

#### To replace the lamp:

##### IMPORTANT:

Follow the instructions described in this section.

The lamp component might have high voltage and heat. For safety, the lamp part is designed to prevent the lamp cover from easily becoming detached.

Optional lamp and tools needed for replacement:

- Replacement lamp LV-LP26 (LV-7265/LV-7260) or LV-LP27 (LV-X7)
- Phillips screwdriver or equivalent

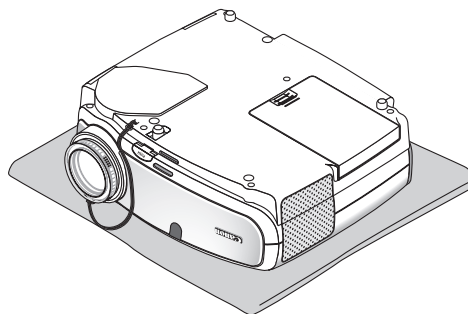
---

NOTE: The two lamp houses are slightly different in appearance.

The following explanation uses drawings for the lamp LV-LP26.

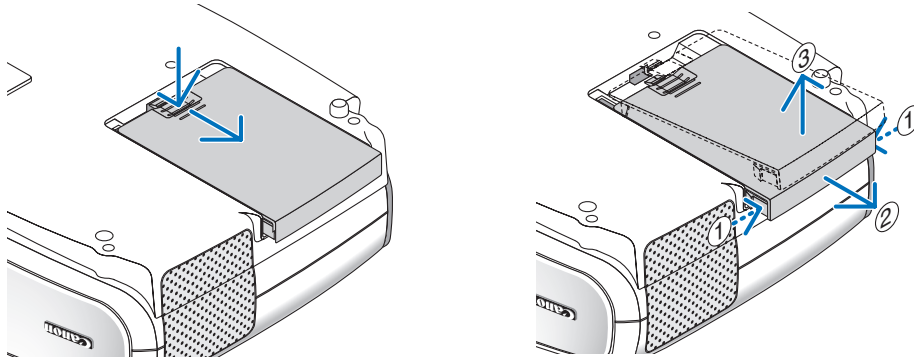
---

#### 1. Place the projector on a soft cloth and turn it over to access the lamp cover on the bottom.



**2. Remove the lamp cover.**

- (1) Press firmly and slide the lamp cover by 1 cm (0.4")
  - Do not force to pull the lamp cover
- (2) Push two catches on both sides lightly ① to slide the lamp cover slowly ② until the catch is seen and then pull up the lamp cover ③.

**3. Remove the lamp.**

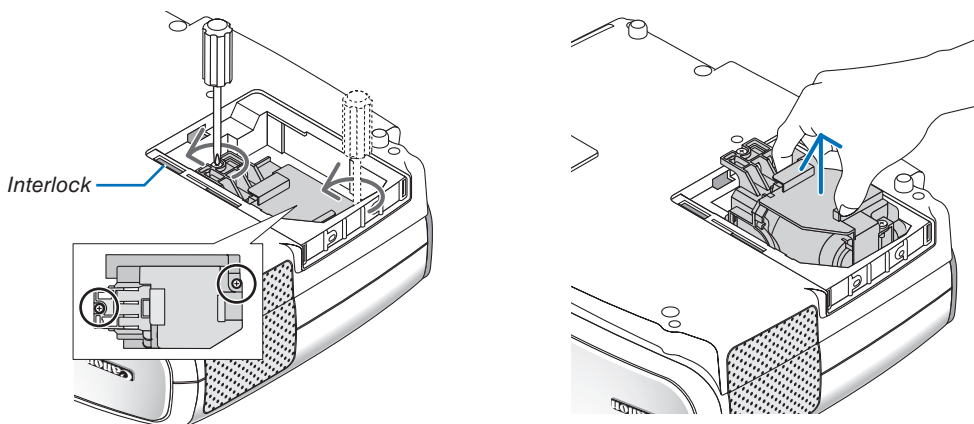
- (1) Loosen the two screws securing the lamp until the phillips screwdriver goes into a freewheeling condition. The two screws are not removable.

*NOTE: Do not remove any screws except these two screws.*

- (2) Remove the lamp by holding it.

**⚠ CAUTION:**

DO NOT TOUCH THE LAMP immediately after it has been used. It will be extremely hot. Before handling, turn the projector off, wait until the cooling fans stop, turn off the main power switch, disconnect the power cord and then allow at least 60 minutes for the lamp to cool.



*NOTE: There is an interlock on this case to prevent the risk of electrical shock. Do not attempt to circumvent this interlock.*

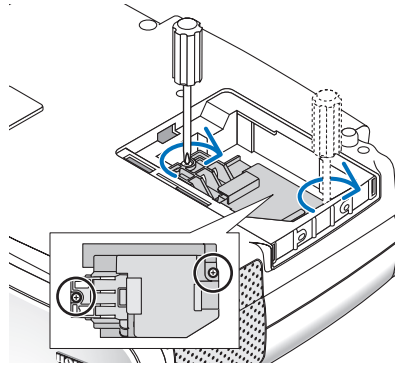
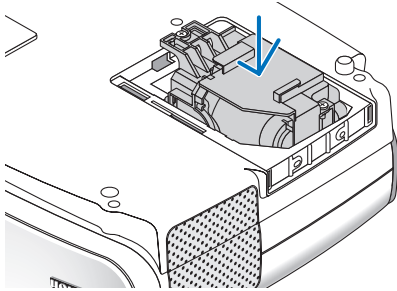
#### 4. Insert a new lamp until the lamp is plugged into the socket.

##### CAUTION

Do not use a lamp other than the replacement lamp LV-LP26 (LV-7265/LV-7260) or LV-LP27 (LV-X7). This may be ordered from your dealer.

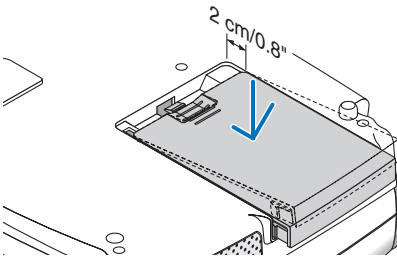
Secure it in place with the two screws.

Be sure to tighten the screws.



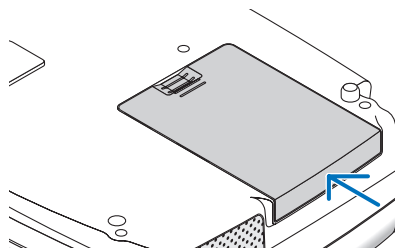
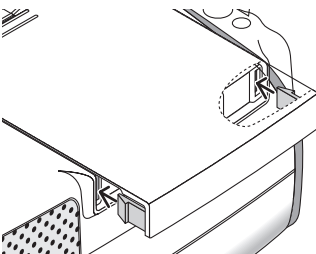
#### 5. Reattach the lamp cover.

(1) Place the lamp cover, leaving a space of about 2 cm/0.8" as shown on the drawing.



(2) Slide the lamp cover back until it snaps into place.

- Make sure that the catches are aligned with slots.
- Push the lamp cover until it clicks into place.



6. Connect the supplied power cord, turn on the Main Power switch and turn on the projector.

7. Finally, select the menu → [Reset] → [Lamp counter] to reset the lamp usage hours.

**NOTE:** When the lamp exceeds 2100\* hours (up to 3100\* hours in Quiet mode) of service, the projector cannot turn on and the menu is not displayed.

If this happens, press the INFO. button on the remote control for ten seconds to reset the lamp clock back to zero.

When the lamp time clock is reset to zero, the LAMP indicator goes out.

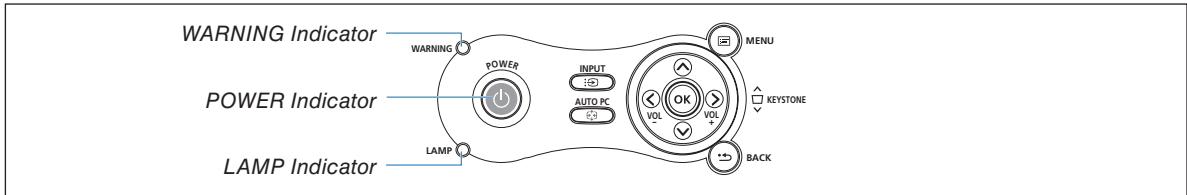
\* LV-X7: 3100 hours (up to 4100 hours in Quiet mode).



# 7. Appendix

## 1 Troubleshooting

This section helps you resolve problems you may encounter while setting up or using the projector.



### Indicator Messages

#### POWER Indicator

Indicator Condition		Projector Condition	Note
Off		The main power is off	–
Blinking light	Green	0.5 sec On, 0.5 sec Off	The projector is getting ready to turn on.
		2.5 sec On, 0.5 sec Off	Off Timer is enabled.
	Orange	0.5 sec On, 0.5 sec Off	The projector is cooling down.
Steady light	Green	The projector is turned on.	–
	Orange	The projector is in Standby.	–

#### WARNING Indicator

Indicator Condition		Projector Condition	Note
Off		Normal	–
Blinking light	Red	1 cycle (0.5 sec On, 2.5 sec Off)	Lamp cover error or lamp housing error
		2 cycle (0.5 sec On, 0.5 sec Off)	Temperature error
		4 cycle (0.5 sec On, 0.5 sec Off)	Fan error
		6 cycle (0.5 sec On, 0.5 sec Off)	Lamp error
	Green	Re-firing the lamp (The projector is cooling down.)	
Steady light	Orange	Key lock is on.	

#### LAMP Indicator

Indicator Condition		Projector Condition	Note
Off		Normal	–
Blinking light	Red	Lamp has reached its end of life. Lamp replacement message will be displayed.	
Steady light	Red	Lamp has been used beyond its limit. The projector will not turn on until the lamp is replaced.	
	Green	Lamp mode is set to Quiet mode.	

#### Over-Temperature Protection

If the temperature inside the projector rises too high, the over-temperature protector will automatically turn off the lamp with the WARNING indicator blinking (2-cycle On and Off.)

Should this happen, do the following:

- Unplug the power cord after the cooling fans stop.
- Move the projector to a cooler location if the room where you are presenting is particularly too warm.
- Clean the ventilation holes if they are clogged with dust.
- Wait about 60 minutes until the inside of the projector becomes cool enough.

## Common Problems &amp; Solutions (→ "Power/Status/Lamp Indicator" on page 60.)

Problem	Check These Items
Does not turn on	<ul style="list-style-type: none"> <li>• Check that the power cord is plugged in and that the power button on the projector cabinet or the remote control is on. See pages 22 and 23.</li> <li>• Ensure that the lamp cover is installed correctly. See page 59.</li> <li>• Check to see if the projector has overheated or the lamp usage exceeds 2100* hours (up to 3100* hours : Quiet mode). See page 59. If there is insufficient ventilation around the projector or if the room where you're presenting is particularly warm, move the projector to a cooler location. * LV-X7: 3100 hours (up to 4100 hours in Quiet mode).</li> <li>• The lamp may fail to light. Wait a full minute and then turn on the power again.</li> <li>• The lamp has reached the end of its usable life. Replace the lamp.</li> </ul>
Will turn off	<ul style="list-style-type: none"> <li>• Ensure that the Power Management or Off timer is off. See page 50.</li> </ul>
No picture	<ul style="list-style-type: none"> <li>• Use the INPUT button to select your source (LV-7265: Computer 1, Computer 2, Video or S-Video / LV-7260/LV-X7: Computer, Video or S-Video). See page 25. If there is still no picture, press the button again.</li> <li>• Ensure your cables are connected properly.</li> <li>• Use menus to adjust the brightness and contrast. See page 45.</li> <li>• Remove the lens cap.</li> <li>• Reset the settings or adjustments to factory preset levels using the [Reset] in the Menu. See page 54.</li> <li>• Enter your registered Password if the Password function is enabled. See page 36.</li> <li>• When using with a notebook PC, be sure to connect between the projector and the notebook PC before turning on the power to the notebook PC. In most cases signal cannot be output from RGB output unless the notebook PC is turned on after connecting with the projector. * If the screen goes blank while using your remote control, it may be the result of the computer's screen-saver or power management software.</li> <li>• See also the next page.</li> </ul>
Picture suddenly becomes dark	<ul style="list-style-type: none"> <li>• Move the projector to a cooler location, or set [Fan mode] to [High].</li> </ul>
Color tone or Color balance is unusual	<ul style="list-style-type: none"> <li>• Check if an appropriate color is selected in [Screen color]. If so, select an appropriate option. See page 47.</li> <li>• Adjust [Color balance] in [Image adjustment]. See page 45.</li> </ul>
Image isn't square to the screen	<ul style="list-style-type: none"> <li>• Reposition the projector to improve its angle to the screen. See page 26.</li> <li>• Use the Keystone correction function to correct the trapezoid distortion. See page 28.</li> </ul>
Picture is blurred	<ul style="list-style-type: none"> <li>• Adjust the focus. See page 27.</li> <li>• Reposition the projector to improve its angle to the screen. See page 26.</li> <li>• Ensure that the distance between the projector and screen is within the adjustment range of the lens. See page 12, 13.</li> <li>• Condensation may form on the lens if the projector is cold, brought into a warm place and is then turned on. Should this happen, let the projector stand until there is no condensation on the lens.</li> </ul>
Picture is distorted	<ul style="list-style-type: none"> <li>• Make sure the VGA cable is connected.</li> <li>• Press the AUTO PC button on the projector cabinet or the remote control. See page 30.</li> </ul>
Image is scrolling vertically, horizontally or both	<ul style="list-style-type: none"> <li>• Use the INPUT button to select your source (LV-7265: Computer 1, Computer 2, Video or S-Video / LV-7260/LV-X7: Computer, Video or S-Video). See page 25.</li> <li>• Adjust the computer image manually with the [Horizontal position] or [Vertical position] in the [Display settings]. See page 46.</li> </ul>
Remote control does not work	<ul style="list-style-type: none"> <li>• Install new batteries. See page 10.</li> <li>• Make sure there are no obstacles between you and the projector.</li> <li>• Stand within 7 m (22 feet) of the projector. See page 10.</li> </ul>
Indicator is lit or blinking	<ul style="list-style-type: none"> <li>• See the POWER/WARNING/LAMP Indicator on page 60.</li> </ul>
Cross color in RGB mode	<ul style="list-style-type: none"> <li>• Press the AUTO PC button on the projector cabinet or the remote control. See page 30.</li> <li>• Adjust the computer image manually with [Clock] or [Tracking] in [Display settings] in the menu. See page 46.</li> </ul>
Whenever the projector is turned on, a message prompting you to clean the filter will be displayed	<ul style="list-style-type: none"> <li>• Clean or replace the filter and then reset the Filter counter. See page 54, 55. Press any button on the remote control or the projector cabinet to clear the message.</li> </ul>

For more information contact your dealer.

**If there is no picture, or the picture is not displayed correctly.**

- Power on process for the projector and the PC.

Be sure to connect the VGA cable between the projector and the computer before turning on the computer. There are some notebook PCs, which do not output signal unless there is a projector or monitor connected first.

---

*NOTE: You can check the horizontal frequency of the current signal in the projector's menu under Information. If it reads "0kHz", this means there is no signal being output from the computer. See page 53 or go to next step.*

---

- Enabling the computer's external display.

Displaying an image on the notebook PC's screen does not necessarily mean it outputs a signal to the projector. When using a PC compatible laptop, a combination of function keys will enable/disable the external display. Usually, the combination of the 'Fn' key along with one of the 12 function keys gets the external display to come on or off. For more details, refer to your computer's owner's manual.

- Non-standard signal output from the computer

If the output signal from a notebook PC is not an industry standard, the projected image may not be displayed correctly. Should this happen, deactivate the notebook PC's LCD screen when the projector display is in use. Each notebook PC has a different way of deactivate/reactivate the local LCD screens as described in the previous step. Refer to your computer's documentation for detailed information.

- Image displayed is incorrect when using a Macintosh

When using a Macintosh with the projector, set the DIPswitch of the Mac adapter (not supplied with the projector) according to your resolution. After setting, restart your Macintosh for the changes to take affect.

For setting display modes other than those supported by your Macintosh and the projector, changing the DIP switch on a Mac adapter may bounce an image slightly or may display nothing. Should this happen, set the DIP switch to the 13" fixed mode and then restart your Macintosh. After that, restore the DIP switches to a displayable mode and then restart the Macintosh again.

---

*NOTE: A Video Adapter cable manufactured by Apple Computer is needed for a PowerBook which does not have a mini D-Sub 15-pin connector.*

---

- Mirroring on a PowerBook

- \* When using the projector with a Macintosh PowerBook, output may not be set to 1024 x 768 unless "mirroring" is off on your PowerBook. Refer to owner's manual supplied with your Macintosh computer for mirroring.

- Folders or icons are hidden on the Macintosh screen

Folders or icons may not be seen on the screen. Should this happen, select [View] → [Arrange] from the Apple menu and arrange icons.

## ② Specifications

This section provides technical information about the projector's performance.

### Model Number LV-7265/LV-7260/LV-X7

#### Optical

LCD Panel	<b>LV-7265:</b> 0.63" p-Si TFT active-matrix with Micro Lens Array (Aspect 4:3) <b>LV-7260/LV-X7:</b> 0.6" p-Si TFT active-matrix with Micro Lens Array (Aspect 4:3)
Resolution	1024 x 768 pixels* <sup>1</sup> native, up to UXGA with scaling technology
Lens	Manual zoom and manual focus F1.6 - 2.5 f = 17.7 - 28.3 mm
Lamp	<b>LV-7265:</b> 200W DC lamp (150W Quiet mode) <b>LV-7260:</b> 190W DC lamp (150W Quiet mode) <b>LV-X7:</b> 150W DC lamp (120W Quiet mode)
Brightness	<b>LV-7265:</b> 2500 lm <b>LV-7260:</b> 2000 lm <b>LV-X7:</b> 1500 lm
Contrast Ratio	<b>LV-7265/LV-7260:</b> 600 : 1 (full white : full black) <b>LV-X7:</b> 500 : 1 (full white : full black)
Uniformity	85%
Image Size (Diagonal)	25" to 300"
Projection Distance	<b>LV-7265:</b> 1.1 m to 8.4 m / 3.5' to 27.7' <b>LV-7260/LV-X7:</b> 1.1 m to 8.8 m / 3.7' to 29.1'
Projection Angle	Tele: 8.3° - 8.6°/ Wide: 9.9° - 10.3°
Keystone Correction	+/- 30° Vertical (Auto keystone on LV-7265 only)

#### Electrical

Inputs	<b>LV-7265:</b> 1 RGB/Component (D-Sub 15 Pin), 1 RGB (Digital/Analog) (DVI-I 29Pin, HDCP* <sup>2</sup> supported), 1 S-Video (DIN 4 Pin), 1 Video (RCA), 1 (Stereo) RCA Audio, 1 Stereo Mini Audio, 1 Service Port (Mini DIN 8 Pin) <b>LV-7260/LV-X7:</b> 1 RGB/Component (D-Sub 15 Pin), 1 S-Video (DIN 4 Pin), 1 Video (RCA), 1 (Stereo) RCA Audio, 1 Service Port (Mini DIN 8 Pin)
Outputs	1 RGB (D-Sub 15 Pin), 1 Stereo Mini Audio (not available on LV-7260/LV-X7)
Video Compatibility	NTSC, NTSC4.43, PAL, PAL-60, PAL-N, PAL-M, SECAM, 1080i, 720p, 480p, 480i / 60Hz 1080i, 576p, 576i / 50Hz
Scan Rate	Horizontal: 15 kHz to 100 kHz (RGB: 24 kHz or over) Vertical: 50 Hz to 120 Hz
Video Bandwidth	RGB: 80 MHz (-3dB)
Color Reproduction	16.7 million colors simultaneously, Full color
Horizontal Resolution	NTSC / NTSC4.43/PAL/PAL-M/PAL-N/PAL60/YCbCr: 540 TV lines SECAM: 300 TV lines RGB: 1024 dots (H) × 768 dots (V)

\*<sup>1</sup> Effective pixels are more than 99.99%.

\*<sup>2</sup> What is HDCP/HDCP technology?

HDCP is an acronym for High-bandwidth Digital Content Protection. High bandwidth Digital Content Protection (HDCP) is a system for preventing illegal copying of video data sent over a Digital Visual Interface (DVI).

If you are unable to view material via the DVI input, this does not necessarily mean the LV-7265 projector is not functioning properly. With the implementation of HDCP, there may be cases in which certain content is protected with HDCP and might not be displayed due to the decision/intention of the HDCP community (Digital Content Protection, LLC).

External Control	RS232, IR
Sync Compatibility	Separate Sync / Composite Sync / Sync on Green / Sync on Video
Built-in Speaker	<b>LV-7265:</b> 5W (monaural) <b>LV-7260/LV-X7:</b> 1W (monaural)
Power Requirement	100 - 240V AC, 50 / 60 Hz
Input Current	<b>LV-7265/LV-7260:</b> 3.1 - 1.3A <b>LV-X7:</b> 2.4 - 1.0A
Power Consumption	<b>LV-7265:</b> 9W in Standby mode / 285W in Lamp Normal mode / 220W in Lamp Quiet mode <b>LV-7260:</b> 9W in Standby mode / 255W in Lamp Normal mode / 205W in Lamp Quiet mode <b>LV-X7:</b> 9W in Standby mode 205W in Lamp Normal mode / 170W in Lamp Quiet mode

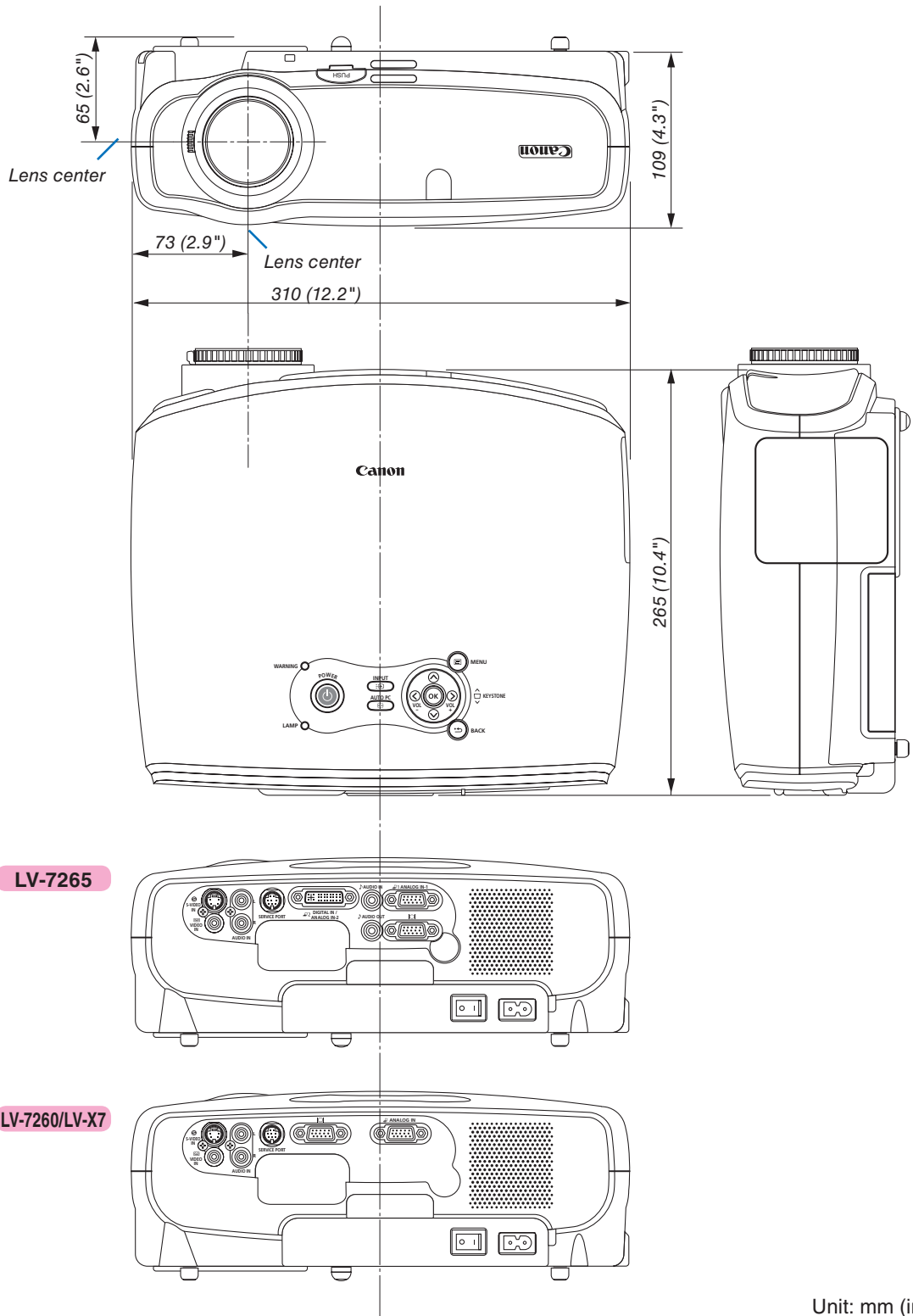
### Mechanical

Installation Orientation	Front / Rear / Ceiling mounted / Rear, Ceiling mounted
Dimensions	12.2" (W) × 4.3" (H) × 10.4" (D) 310 mm (W) × 109 mm (H) × 265 mm (D) (not including protrusions)
Weight	<b>LV-7265:</b> 6.8 lbs / 3.1 kg <b>LV-7260:</b> 6.6 lbs / 3.0 kg <b>LV-X7:</b> 6.4 lbs / 2.9 kg
Fan Noise	<b>LV-7265:</b> 35 dB (Normal mode), 29dB (Quiet mode) <b>LV-7260:</b> 34 dB (Normal mode), 29dB (Quiet mode) <b>LV-X7:</b> 32 dB (Normal mode), 25dB (Quiet mode)
Environmental Considerations	Operational Temperatures : 41° to 104°F (5° to 40°C), (Quiet mode selected automatically at 95°F to 104°F / 35°C to 40°C) 20% to 80% humidity (non-condensing) Storage Temperatures : 14° to 122°F (-10° to 50°C), 20% to 80% humidity (non-condensing)
Regulations	<i>For United States:</i> UL Approved (UL 60950-1) Meets FCC Class B requirements <i>For Canada:</i> UL Approved (CSA 60950-1) Meets DOC Canada Class B requirements <i>For Australia/New Zealand:</i> Meets AS/NZS CISPR.22 Class B <i>For Europe:</i> Meets EMC Directive (EN55022, EN55024, EN61000-3-2, EN61000-3-3) Meets Low Voltage Directive (EN60950-1)



The specifications are subject to change without notice.

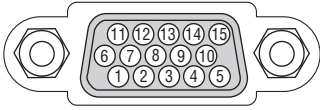
### 3 Cabinet Dimensions



Unit: mm (inch)

## ④ Pin Assignments of D-Sub ANALOG Input Connector

### Mini D-Sub 15 Pin Connector



Signal Level

Video signal : 0.7Vp-p (Analog)

Sync signal : TTL level

Pin No.	RGB Signal (Analog)	YCbCr Signal
1	Red	Cr
2	Green or Sync on Green	Y
3	Blue	Cb
4	Ground	
5	Ground	
6	Red Ground	Cr Ground
7	Green Ground	Y Ground
8	Blue Ground	Cb Ground
9	No Connection	
10	Sync Signal Ground	
11	No Connection	
12	Bi-directional DATA (SDA)*	
13	Horizontal Sync or Composite Sync	
14	Vertical Sync	
15	Data Clock*	

\* Only ANALOG-1 input connector supported on LV-7265.

## 5 Compatible Input Signal List

Horizontal: 15KHz to 100KHz (RGB: 24KHz or over)

Vertical: 50Hz to 120Hz

	Signal	Resolution ( Dots )	Frequency H. ( kHz )	Refresh Rate ( Hz )
	NTSC	–	15.73	59.94
	PAL	–	15.63	50.00
	PAL60	–	15.73	60.00
	SECAM	–	15.63	50.00
D	VESA	640 × 480	31.47	59.94
D	IBM	640 × 480	31.48	59.95
D	MAC	640 × 480	35.00	66.67
D	VESA	640 × 480	37.86	72.81
D	VESA	640 × 480	37.50	75.00
D	IBM	640 × 480	39.38	75.00
D	VESA	640 × 480	43.27	85.01
D	IBM	720 × 350	31.47	70.08
D	IBM	720 × 350	39.44	87.85
D	IBM	720 × 400	39.44	87.85
D	VESA	800 × 600	35.16	56.25
D	VESA	800 × 600	37.88	60.32
D	VESA	800 × 600	48.08	72.19
D	VESA	800 × 600	46.88	75.00
D	VESA	800 × 600	53.67	85.06
D	MAC	832 × 624	49.72	74.55
D	VESA	1024 × 768	48.36	60.00
D	VESA	1024 × 768	56.48	70.07
D	MAC	1024 × 768	60.24	74.93
D	VESA	1024 × 768	60.02	75.03
D	VESA	1024 × 768	68.68	85.00
D #	VESA	1152 × 864	67.50	75.00
D #	MAC	1152 × 870	68.68	75.06
D #	VESA	1280 × 960	60.00	60.00
#		1280 × 960	75.00	75.00
#		1280 × 960	85.94	85.00
D #	VESA	1280 × 1024	63.98	60.02
D #	MAC	1280 × 1024	64.30	60.38
#	MAC	1280 × 1024	69.87	65.18
#	VESA	1280 × 1024	79.98	75.02
#	VESA	1280 × 1024	91.15	85.02
D #	VESA	1400 × 1050	63.98	60.02
#	VESA	1600 × 1200	75.00	60.00
#	VESA	1600 × 1200	81.25	65.00
#	VESA	1600 × 1200	87.50	70.00
#	VESA	1600 × 1200	93.75	75.00
	SDTV(576i)	–	15.63	50.00 Interlace
D	SDTV(576p)	–	31.25	50.00 Progressive
D #	HDTV (1080i)	1920 × 1080	33.75	60.00 Interlace
D #	HDTV (1080i)	1920 × 1080	28.13	50.00 Interlace
D #	HDTV (720p)	1280 × 720	45.00	60.00 Progressive
D	SDTV (480p)	720 × 480	31.47	59.94 Progressive
	DVD YCbCr	–	15.73	59.94 Interlaced
	DVD YCbCr	–	15.63	50.00 Interlaced

D : Images in above flagged with “D” are supported by the DVI digital signals on LV-7265.

# : Images in above flagged with # are compressed with scaling technology.

*NOTE: Some composite sync signals may not be displayed correctly.*

*Signals other than those specified in the table above may not be displayed correctly. If this should happen, change the refresh rate or resolution on your PC. Refer to Display Properties help section of your PC for procedures.*

*UXGA (1600 x 1200) is supported for separate sync signal only.*



## ⑥ Relationship between Screen Size and Projection distance

LV-7265

Screen size at 4:3 aspect ratio W x D (cm)	Zoomed projection distance		H1	H2	Screen size at 16:9 aspect ratio W x D (cm)
	Max.	Min.			
25" 51 x 38	–	1.1m (3.5')	32cm (1.1')	6cm (0.2')	23" 51 x 29
30" 61 x 46	–	1.3m (4.2')	39cm (1.3')	7cm (0.2')	28" 61 x 34
40" 81 x 61	1.1m (3.6')	1.7m (5.7')	51cm (1.7')	10cm (0.3')	37" 81 x 46
50" 102 x 76	1.4m (4.5')	2.2m (7.1')	64cm (2.1')	12cm (0.4')	46" 102 x 57
60" 122 x 91	1.7m (5.5')	2.6m (8.5')	77cm (2.5')	14cm (0.5')	55" 122 x 69
70" 142 x 107	1.9m (6.4')	3.0m (10.0')	90cm (3.0')	17cm (0.6')	64" 142 x 80
80" 163 x 122	2.2m (7.3')	3.5m (11.4')	103cm (3.4')	19cm (0.6')	73" 163 x 91
90" 183 x 137	2.5m (8.3')	3.9m (12.9')	116cm (3.8')	21cm (0.7')	83" 183 x 103
100" 203 x 152	2.8m (9.2')	4.3m (14.3')	129cm (4.2')	24cm (0.8')	92" 203 x 114
110" 224 x 168	3.1m (10.1')	4.8m (15.8')	141cm (4.7')	26cm (0.9')	101" 224 x 126
120" 244 x 183	3.3m (11.0')	5.2m (17.2')	154cm (5.1')	29cm (0.9')	110" 244 x 137
130" 264 x 198	3.6m (12.0')	5.7m (18.7')	167cm (5.5')	31cm (1.0')	119" 264 x 149
140" 284 x 213	3.9m (12.9')	6.1m (20.1')	180cm (5.9')	33cm (1.1')	129" 284 x 160
150" 305 x 229	4.2m (13.8')	6.5m (21.6')	193cm (6.4')	36cm (1.2')	138" 305 x 171
160" 325 x 244	4.5m (14.7')	7.0m (23.0')	206cm (6.8')	38cm (1.3')	147" 325 x 183
170" 345 x 259	4.7m (15.7')	7.4m (24.5')	219cm (7.2')	40cm (1.3')	156" 345 x 194
176" 358 x 268	4.9m (16.2')	7.7m (25.3')	226cm (7.5')	42cm (1.4')	162" 358 x 201
180" 366 x 274	5.0m (16.6')	7.9m (25.9')	231cm (7.6')	43cm (1.4')	165" 366 x 206
190" 386 x 290	5.3m (17.5')	8.3m (27.4')	244cm (8.1')	45cm (1.5')	174" 386 x 217
200" 406 x 305	5.6m (18.4')	–	257cm (8.5')	48cm (1.6')	184" 406 x 229
210" 427 x 320	5.9m (19.4')	–	270cm (8.9')	50cm (1.7')	193" 427 x 240
220" 447 x 335	6.2m (20.3')	–	283cm (9.3')	52cm (1.7')	202" 447 x 251
230" 467 x 351	6.4m (21.2')	–	296cm (9.8')	55cm (1.8')	211" 467 x 263
240" 488 x 366	6.7m (22.2')	–	309cm (10.2')	57cm (1.9')	220" 488 x 274
250" 508 x 381	7.0m (23.1')	–	321cm (10.6')	60cm (2.0')	229" 508 x 286
260" 528 x 396	7.3m (24.0')	–	334cm (11.0')	62cm (2.0')	239" 528 x 297
270" 549 x 411	7.6m (24.9')	–	347cm (11.5')	64cm (2.1')	248" 549 x 309
280" 569 x 427	7.8m (25.9')	–	360cm (11.9')	67cm (2.2')	257" 569 x 320
290" 589 x 442	8.1m (26.8')	–	373cm (12.3')	69cm (2.3')	266" 589 x 331
300" 610 x 457	8.4m (27.7')	–	386cm (12.7')	71cm (2.4')	275" 610 x 343

## LV-7260/LV-X7

Screen size at 4:3 aspect ratio W x D (cm)	Zoomed projection distance		H1	H2	Screen size at 16:9 aspect ratio W x D (cm)
	Max.	Min.			
25" 51 x 38	–	1.1 m (3.7')	33 cm (1.1')	5 cm (0.2')	23" 51 x 29
30" 61 x 46	–	1.3 m (4.4')	39 cm (1.3')	6 cm (0.2')	28" 61 x 34
40" 81 x 61	1.2 m (3.8')	1.8 m (5.9')	52 cm (1.7')	9 cm (0.3')	37" 81 x 46
50" 102 x 76	1.4 m (4.8')	2.3 m (7.5')	65 cm (2.2')	11 cm (0.4')	46" 102 x 57
60" 122 x 91	1.7 m (5.7')	2.7 m (9.0')	78 cm (2.6')	13 cm (0.4')	55" 122 x 69
70" 142 x 107	2.0 m (6.7')	3.2 m (10.5')	92 cm (3.0')	15 cm (0.5')	64" 142 x 80
80" 163 x 122	2.3 m (7.7')	3.6 m (12.0')	105 cm (3.5')	17 cm (0.6')	73" 163 x 91
90" 183 x 137	2.6 m (8.7')	4.1 m (13.5')	118 cm (3.9')	19 cm (0.6')	83" 183 x 103
100" 203 x 152	2.9 m (9.6')	4.6 m (15.1')	131 cm (4.3')	22 cm (0.7')	92" 203 x 114
110" 224 x 168	3.2 m (10.6')	5.0 m (16.6')	144 cm (4.7')	24 cm (0.8')	101" 224 x 126
120" 244 x 183	3.5 m (11.6')	5.5 m (18.1')	157 cm (5.2')	26 cm (0.9')	110" 244 x 137
130" 264 x 198	3.8 m (12.6')	5.9 m (19.6')	170 cm (5.6')	28 cm (0.9')	119" 264 x 149
140" 284 x 213	4.1 m (13.5')	6.4 m (21.2')	183 cm (6.0')	30 cm (1.0')	129" 284 x 160
150" 305 x 229	4.4 m (14.5')	6.9 m (22.7')	196 cm (6.5')	32 cm (1.1')	138" 305 x 171
160" 325 x 244	4.7 m (15.5')	7.3 m (24.2')	209 cm (6.9')	35 cm (1.1')	147" 325 x 183
170" 345 x 259	5.0 m (16.5')	7.8 m (25.7')	222 cm (7.3')	37 cm (1.2')	156" 345 x 194
176" 358 x 268	5.2 m (17.0')	8.1 m (26.6')	230 cm (7.6')	38 cm (1.3')	162" 358 x 201
180" 366 x 274	5.3 m (17.4')	8.3 m (27.2')	235 cm (7.8')	39 cm (1.3')	165" 366 x 206
190" 386 x 290	5.6 m (18.4')	8.7 m (28.8')	248 cm (8.2')	41 cm (1.4')	174" 386 x 217
200" 406 x 305	5.9 m (19.4')	–	262 cm (8.6')	43 cm (1.4')	184" 406 x 229
210" 427 x 320	6.2 m (20.4')	–	275 cm (9.1')	45 cm (1.5')	193" 427 x 240
220" 447 x 335	6.5 m (21.3')	–	288 cm (9.5')	48 cm (1.6')	202" 447 x 251
230" 467 x 351	6.8 m (22.3')	–	301 cm (9.9')	50 cm (1.6')	211" 467 x 263
240" 488 x 366	7.1 m (23.3')	–	314 cm (10.4')	52 cm (1.7')	220" 488 x 274
250" 508 x 381	7.3 m (24.2')	–	327 cm (10.8')	54 cm (1.8')	229" 508 x 286
260" 528 x 396	7.6 m (25.2')	–	340 cm (11.2')	56 cm (1.9')	239" 528 x 297
270" 549 x 411	7.9 m (26.2')	–	353 cm (11.7')	58 cm (1.9')	248" 549 x 309
280" 569 x 427	8.2 m (27.2')	–	366 cm (12.1')	61 cm (2.0')	257" 569 x 320
290" 589 x 442	8.5 m (28.1')	–	379 cm (12.5')	63 cm (2.1')	266" 589 x 331
300" 610 x 457	8.8 m (29.1')	–	392 cm (12.9')	65 cm (2.1')	275" 610 x 343

## 7 PC Control Codes and Cable Connection

### PC Control Codes

#### LV-7265

Function	Code Data							
POWER ON	02H	00H	00H	00H	00H	02H		
POWER OFF	02H	01H	00H	00H	00H	03H		
INPUT SELECT COMPUTER-1	02H	03H	00H	00H	02H	01H	01H	09H
INPUT SELECT COMPUTER-2 (Digital)	02H	03H	00H	00H	02H	01H	1AH	22H
INPUT SELECT COMPUTER-2 (Analog)	02H	03H	00H	00H	02H	01H	02H	0AH
INPUT SELECT VIDEO	02H	03H	00H	00H	02H	01H	06H	0EH
INPUT SELECT S-VIDEO	02H	03H	00H	00H	02H	01H	0BH	13H
NO SHOW ON	02H	10H	00H	00H	00H	12H		
NO SHOW OFF	02H	11H	00H	00H	00H	13H		
SOUND MUTE ON	02H	12H	00H	00H	00H	14H		
SOUND MUTE OFF	02H	13H	00H	00H	00H	15H		

#### LV-7260/LV-X7

Function	Code Data							
POWER ON	02H	00H	00H	00H	00H	02H		
POWER OFF	02H	01H	00H	00H	00H	03H		
INPUT SELECT COMPUTER	02H	03H	00H	00H	02H	01H	01H	09H
INPUT SELECT VIDEO	02H	03H	00H	00H	02H	01H	06H	0EH
INPUT SELECT S-VIDEO	02H	03H	00H	00H	02H	01H	0BH	13H
NO SHOW ON	02H	10H	00H	00H	00H	12H		
NO SHOW OFF	02H	11H	00H	00H	00H	13H		
SOUND MUTE ON	02H	12H	00H	00H	00H	14H		
SOUND MUTE OFF	02H	13H	00H	00H	00H	15H		

*NOTE: Contact your local dealer for a full list of the PC Control Codes if needed.*

### Cable Connection

Communication Protocol

Baud rate 19200 bps

Data length 8 bits

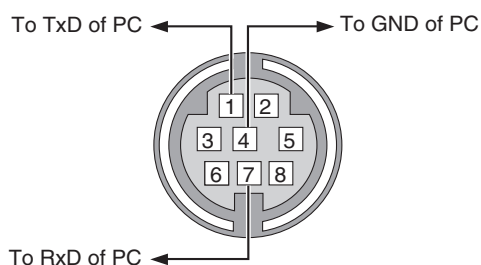
Parity No parity

Stop bit One bit

Communications procedure .....Full duplex

*NOTE: Depending on the equipment, a lower baud rate may be recommended for long cable runs.*

### SERVICE PORT (Mini DIN-8P)



*NOTE: Pins 2, 3, 5, 6 and 8 are used inside the projector.*

## 8 Troubleshooting Check List

Before contacting your dealer or service personnel, check the following list to be sure repairs are needed, you may also refer to the “Troubleshooting” section in your user’s manual. This checklist below will help us solve your problem more efficiently.

\* Print the following pages.

**Frequency of occurrence**  always  sometimes (How often? \_\_\_\_\_)  other ( \_\_\_\_\_ )

### Power

- No power (POWER indicator does not light green) See also “WARNING Indicator (WARNING)”.
  - Power cord’s plug is fully inserted into the wall outlet.
  - Main power switch is pressed to the ON position.
  - Lamp cover is installed correctly .
  - Lamp counter (lamp operation hours) was cleared after lamp replacement.
  - No power even though you press and hold the POWER button for a minimum of 1 second.
- Shut down during operation.
  - Power cord’s plug is fully inserted into the wall outlet.
  - Lamp cover is installed correctly .
  - Power Management is turned off (only models with the Power Management function).
  - Off timer is turned off (only models with the Off timer function).

### Video and Audio

- No image is displayed from your PC or video equipment to the projector.
  - Still no image even though you connect the projector to the PC first, then start the PC.
  - Enabling your notebook PC’s signal output to the projector.
    - *A combination of function keys will enable/disable the external display. Usually, the combination of the “Fn” key along with one of the 12 function keys turns the external display on or off.*
  - No image (blue background, logo, no display).
  - Still no image even though you press the AUTO PC button.
  - Still no image even though you carry out “Reset” in the projector’s menu.
  - Signal cable’s plug is fully inserted into the input connector
  - A message appears on the screen. ( \_\_\_\_\_ )
  - The source connected to the projector is active and available.
  - Still no image even though you adjust the brightness and/or the contrast.
  - Input source’s resolution and frequency are supported by the projector.
- Image is too dark.
  - Remains unchanged even though you adjust the brightness and/or the contrast.
- Image is distorted.
  - Image appears to be trapezoidal (unchanged even though you carry out the “Keystone adjustment”).
- Parts of the image are lost.
  - Still unchanged even though you press the AUTO PC button.
  - Still unchanged even though you carry out “Reset” in the projector’s menu.
- Image is shifted in the vertical or horizontal direction.
  - Horizontal and vertical positions are correctly adjusted on a computer signal.
  - Input source’s resolution and frequency are supported by the projector.
  - Some pixels are lost.
- Image is flickering.
  - Still unchanged even though you press the AUTO PC button.
  - Still unchanged even though you carry out “Reset” in the projector’s menu.
  - Image shows flickering or color drift on a computer signal.
- Image appears blurry or out of focus.
  - Still unchanged even though you checked the signal’s resolution on PC and changed it to projector’s native resolution.
  - Still unchanged even though you adjusted the focus.
- No sound.
  - Audio cable is correctly connected to the audio input of the projector.
  - Still unchanged even though you adjusted the volume level.
  - AUDIO OUT is connected to your audio equipment (only models with the AUDIO OUT connector).

### Other

- Remote control does not work.
  - No obstacles between the sensor of the projector and the remote control.
  - Projector is placed near a fluorescent light that can disturb the infrared remote controls.
  - One or more remote sensors are enabled (only models with the Remote Sensor Selection function).
  - Batteries are new and are not reversed in installation.
  - If present on the remote control, projector selector switch is not used.
- Buttons on the projector cabinet do not work ( only models with the Key lock function).
  - Key lock is not turned on or is disabled in the menu.
  - Still unchanged even though you press and hold the BACK button for a minimum of 10 seconds.

In the space below please describe your problem in detail.

### Information on application and environment where your projector is used

#### Projector

Model number:

Serial No.:

Date of purchase:

Lamp operating time (hours):

Lamp Mode:  Normal  Quiet

Information on input signal:

Horizontal sync frequency [     ] kHz

Vertical sync frequency [     ] Hz

Sync polarity H  (+)  (-)

V  (+)  (-)

Sync type  Separate  Composite

Sync on Green

WARNING Indicator:

Steady light  Orange  Green

Flashing light [     ] cycles

Remote control model number:

#### Installation environment

Screen size:                    inch

Screen type:  White matte  Beads  Polarization  
 Wide angle  High contrast

Throw distance:                feet/inch/m

Orientation:  Ceiling mount  Desktop

Power outlet connection:

Connected directly to wall outlet

Connected to power cord extender or other (the number of connected equipment \_\_\_\_\_)

Connected to a power cord reel or other (the number of connected equipment \_\_\_\_\_)

#### Computer

Manufacturer:

Model number:

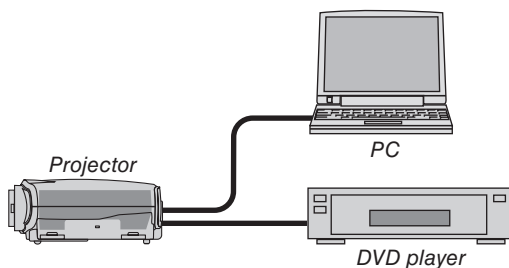
Notebook PC  / Desktop

Native resolution:

Refresh rate:

Video adapter:

Other:



#### Signal cable

Canon standard or other manufacturer's cable?

Model number:                    Length:                    inch/m

Distribution amplifier

Model number:

Switcher

Model number:

Adapter

Model number:

#### Video equipment

VCR, DVD player, Video camera, Video game or other

Manufacturer:

Model number:



**CANON INC.** 30- 2, Shimomaruko 3- chome, Ohta- ku, Tokyo 146- 8501, Japan

**CANON U. S. A., INC.**

One Canon Plaza, Lake Success, NY 11042, U. S. A.

**CANON CANADA, INC.**

6390 Dixie Road Mississauga, Ontario L5T 1P7 Canada

**CANON LATIN AMERICA, INC.**

703 Waterford Way Suite 400 Miami, Florida 33126 U. S. A.

**CANON MEXICANA, S. de R. L. de C. V.**

Boulevard Manuel Avila Camacho, No. 138 PB, Pisos 15, 16 y 17 Col. Lomas de Chapultepec, CP 11000, Mexico D. F., Mexico

**CANON EUROPA N. V.**

P. O. Box 2262, 1180 EG Amstelveen, The Netherlands

**CANON COMMUNICATION & IMAGE FRANCE S. A.**

12 Rue De L'Industrie, 92414 Corbevoie, Cedex, France

**CANON (UK) LTD.**

Woodhatch, Reigate, Surrey RH2 8BF, United Kingdom

**CANON DEUTSCHLAND GmbH**

Europark Fichtenhain A 10, 47807 Krefeld, Germany

**CANON ITALIA S. p. A.**

Via Milano, 8 San Donato M. se-20097 (MI), Italy

**CANON (Schweiz) A. G.**

Industriestrasse 12, 8305 Dietlikon, Switzerland

**CANON BELGIUM N. V./ S. A**

Bessenveldstraat 7, 1831 Diegem, Belgium

**CANON GmbH**

Zetschegasse 11, A- 1230 Wien, Austria

**CANON ESPANA S. A.**

C/ Joaquin Costa 41, 28002 Madrid, Spain

**CANON SVENSKA AB**

Gustav III:s, Boulevard 26, 169 88 Solna, Sweden

**CANON NORGE A/ S**

Hallagerbakken 110, P. O. Box 33, Holmlia, N-1201 Oslo, Norway

**CANON OY**

Huopalahdentie 24, P. O. Box 1, FIN- 00351 Helsinki, Finland

**CANON HONGKONG CO., LTD.**

19/F., The Metropolis Tower, 10 Metropolis Drive, Hunghom, Kln., H. K.

**CANON SINGAPORE PTE. LTD.**

1 HarbourFront Avenue #04-01, Keppel Bay Tower Singapore 098632

**CANON AUSTRALIA PTY. LTD.**

1 Thomas Holt Drive, North Ryde, Sydney, N. S. W. 2113, Australia

**CANON NEW ZEALAND LTD.**

Akoranga Business Park, Akoranga Drive, Northcote, Auckland, New Zealand

**CANON DANMARK A/ S**

Knud Hoejgaards Vej 1, DK- 2860 Soeborg, Denmark

## Free Manuals Download Website

<http://myh66.com>

<http://usermanuals.us>

<http://www.somanuals.com>

<http://www.4manuals.cc>

<http://www.manual-lib.com>

<http://www.404manual.com>

<http://www.luxmanual.com>

<http://aubethermostatmanual.com>

Golf course search by state

<http://golfingnear.com>

Email search by domain

<http://emailbydomain.com>

Auto manuals search

<http://auto.somanuals.com>

TV manuals search

<http://tv.somanuals.com>