

# Mounting Hanger for Low Ceilings Assembly/Installation Manual

Applicable Projector Model Nos.

LV-S3

## LV-CL09

**Make sure to ask a company specializing in installation work to install the hanger.**

This mounting hanger is specifically for the projectors shown above. It cannot be used for any other equipment. Do not place or hang any other object on this mounting hanger. Do not let children hang on it. Assemble and install this mounting hanger correctly in accordance with this manual. Make sure to observe the cautions given here.

### INSTALLATION CAUTIONS



When displaying the projector by hanging it from the ceiling using this mounting hanger, the ceiling should have sufficient strength to support both the projector and the mounting hanger. Before installation, check the weight of the projector and the mounting hanger, then confirm the strength of the ceiling. If the ceiling does not have sufficient strength, be sure to sufficiently reinforce it.

- Make sure to install this mounting hanger from a ceiling that is level. Do not hang it from an inclined ceiling.
- In order to prevent swaying caused by earthquakes or vibration, take proper anti-swaying steps using wires, etc. during installation.

The total weight of this mounting hanger's main body is **1.5 kg**.

### Parts included in package

Screw (A) ... 11 pcs.



Wire ... 2 pcs.



Hexagon wrench ... 1 pc.



Assembly/  
Installation Manual



## Assembly and installation procedure

— Refer to Fig. 1. —

1. Turn over the projector main body, and attach it to the main body mounting fitting with screws (A). (screw (A) ... 3 pcs.)
2. Attach the drop prevention wires.
3. Attach the ceiling mounting fitting to the ceiling. Refer to the ceiling hanging fitting attachment dimensional drawing.
4. Slide the main body mounting fitting to which the projector is attached into the ceiling hanging fitting that is attached to the ceiling. Then fix the main body mounting fitting securely to the ceiling hanging fitting with four (A) screws included in the package.

**Caution : During this procedure, take care not to drop the projector. Since the projector is hung only temporarily, it is not yet secured.**

When wiring, make sure not to let cables or other items block the air inlet or the exhaust port. This may raise the inside temperature and result in a malfunction.

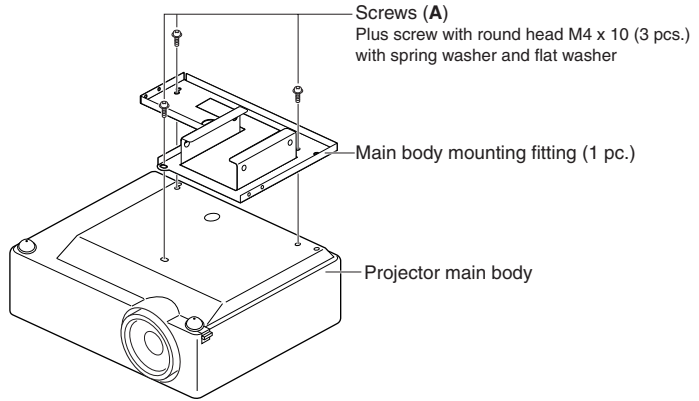
## Adjusting the projection position

— Refer to Fig. 2. —

Adjust the projection position so that an image is projected in the center of the screen. Then tighten the angle adjusting screws securely using the hexagon wrench included in the package. (If fine adjustment of the angle cannot be smoothly attained, loosen the angle adjusting screws with the hexagon wrench. Then use the angle fine-adjustment screw. This will allow smooth fine adjustment.)

## Fig. 1 Assembly

1



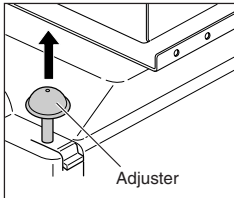
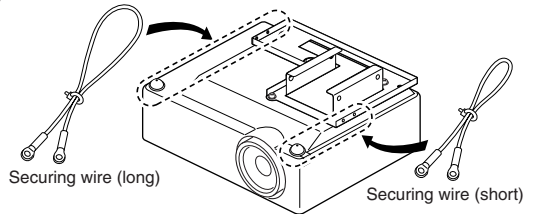
## 2 Attach the Securing wires to the Projector

Secure the projector and the Projector bracket with the included Securing wires to support the projector.

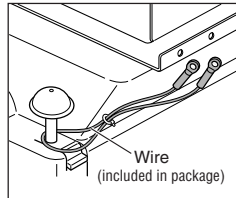


### Measures to prevent the projector from falling

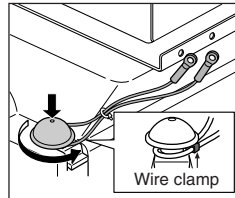
\* Make sure to take measures to prevent the projector main body from falling as explained here.



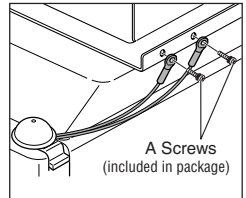
1. Pull out the adjuster from the projector main body.



2. Hang securely the drop prevention wire included in the package to the adjuster in the main body (2 positions).

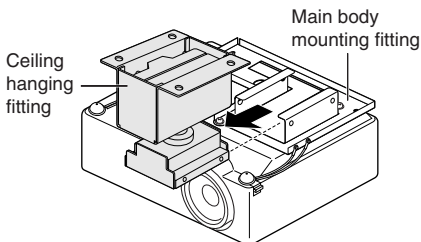


3. Tighten securely the wire clamp with the drop prevention wire, and push down the adjuster in the main body.

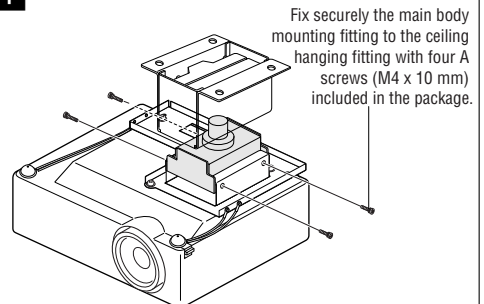


4. Attach the drop prevention wire to the main body mounting fitting with two A screws (M4 x 10 mm) included in the package. Attach the drop prevention wire on the opposite side in the same way.

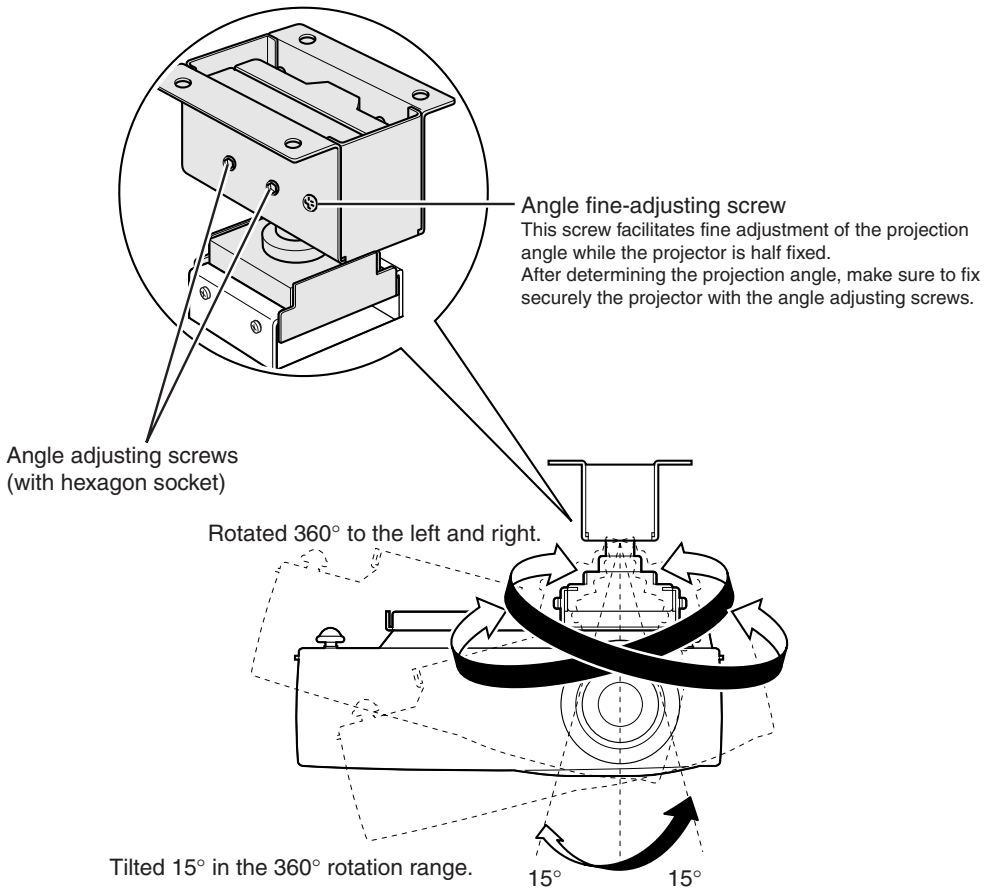
3



4



**Fig. 2 Adjustment**



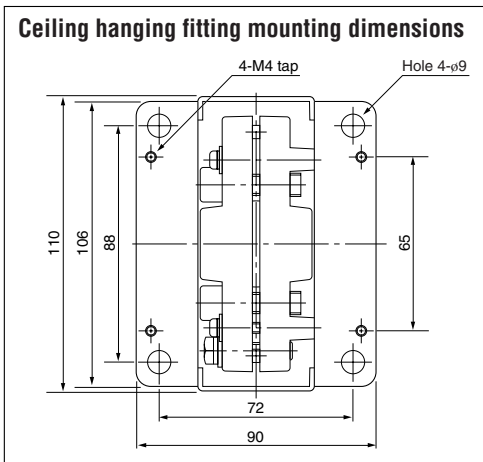
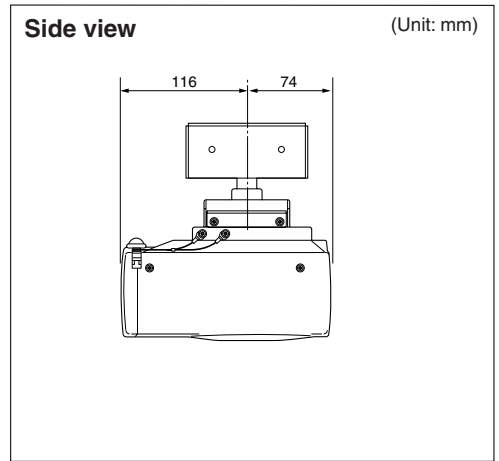
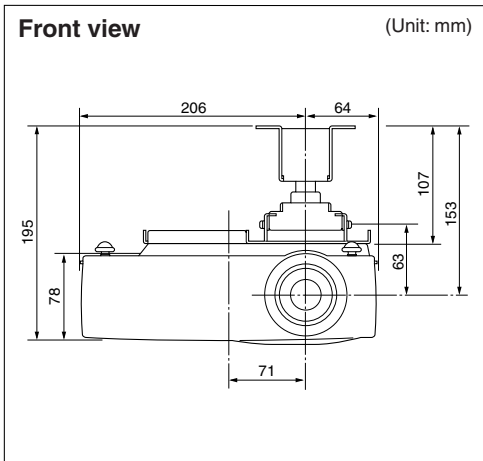
**CAUTION**



After the projector angle is fixed once, if the angle is adjusted again in the fixed status, the fixed area may be deformed and adjustment might no longer be possible. Loosen the angle adjusting screws before adjusting the angle again.

**If the angle is not proper, adjust the angle again.**

**After adjustment, confirm that the projector is fixed securely.**



## ■ Approximate projection distance

Screen size (diagonal)(inch)	34	40	60	70	80	90	100	110	120	150	168	200
Maximum zoom	—	1.3m	1.9m	2.3m	2.6m	2.9m	3.2m	3.6m	3.9m	4.9m	5.4m	6.5m
Minimum zoom	1.3m	1.5m	2.3m	2.7m	3.1m	3.5m	3.8m	4.2m	4.6m	5.8m	6.5m	—

\* Each approximate projection distance is a calculated value based on lens design specifications. An error of approximately 5% maximum may occur due to lens quality, etc.

## Free Manuals Download Website

<http://myh66.com>

<http://usermanuals.us>

<http://www.somanuals.com>

<http://www.4manuals.cc>

<http://www.manual-lib.com>

<http://www.404manual.com>

<http://www.luxmanual.com>

<http://aubethermostatmanual.com>

Golf course search by state

<http://golfingnear.com>

Email search by domain

<http://emailbydomain.com>

Auto manuals search

<http://auto.somanuals.com>

TV manuals search

<http://tv.somanuals.com>