



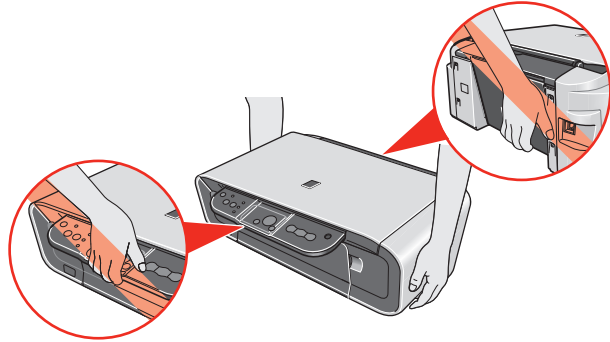
Unpack the Machine

- Please confirm the included items against the illustration printed on the lid of the packing box.
- A USB cable is necessary to connect the machine with your computer.

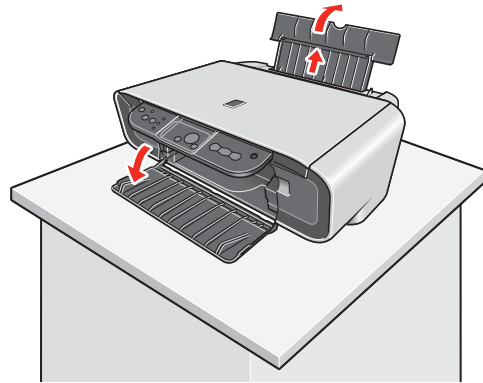
1 Prepare the Machine

Note

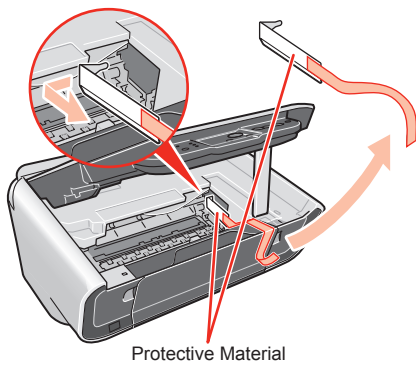
When moving the machine, carry the machine at both ends as shown below. Do not lift the machine by grasping the Paper Support Extension or the Operation Panel.



- 1 Place the machine on a flat and horizontal surface, and do not place any objects in front of the machine.



- 2 Lift the Scanning Unit (Printer Cover), then remove the Protective Material on the right side.



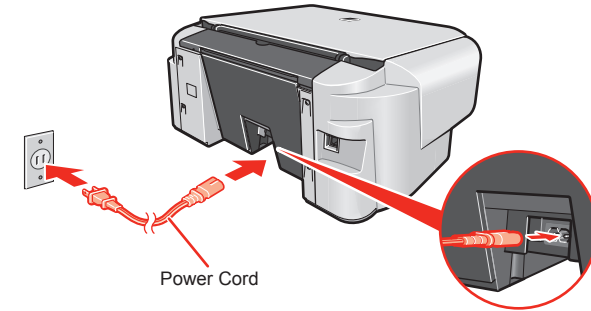
Protective Material

Caution

Before turning on the machine, remove all of the shipping tapes.

- 3 Close the Scanning Unit (Printer Cover).

- 4 Plug the Power Cord in the back of the machine and connect the other end to the wall outlet.

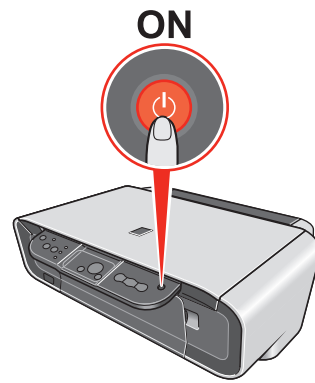


Power Cord

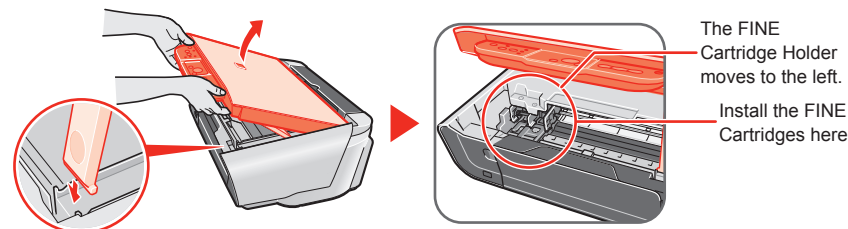
Note

Do not connect the USB cable at this stage.

- 5 Press the **ON/OFF** button to turn on the machine. The machine will initialize. Wait until the **POWER** lamp stops flashing and remains lit green.



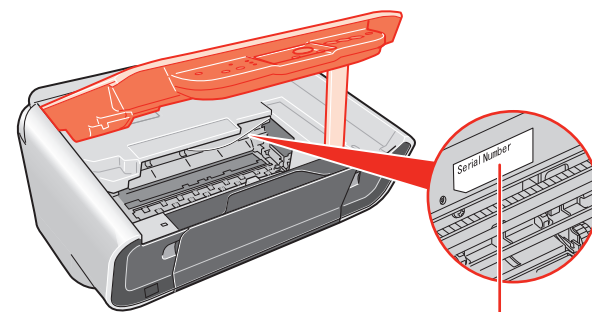
- 6 Lift the Scanning Unit (Printer Cover) and pull the Scanning Unit Support down into place. The FINE Cartridge Holder automatically moves to the left.



The FINE Cartridge Holder moves to the left.

Install the FINE Cartridges here.

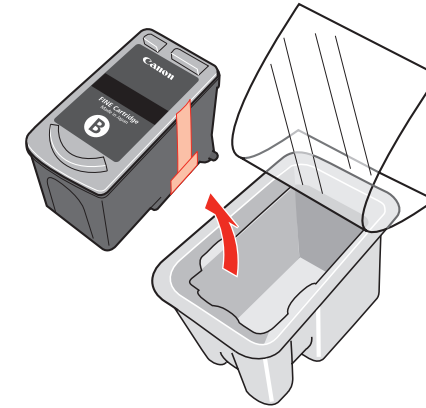
- 7 Write down the Serial Number located inside the machine. You will need this to register your product.



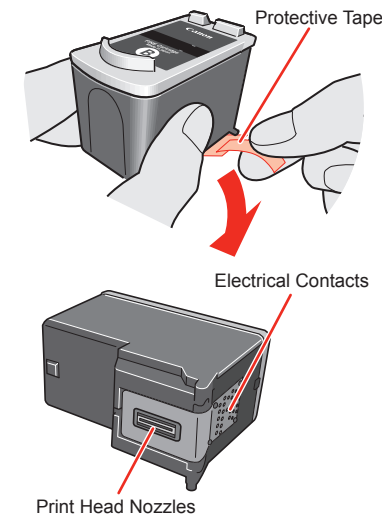
Serial Number

2 Install the FINE Cartridges

- 1 Remove the Black FINE Cartridge from its box.



- 2 Remove the Protective Tape gently.



Protective Tape

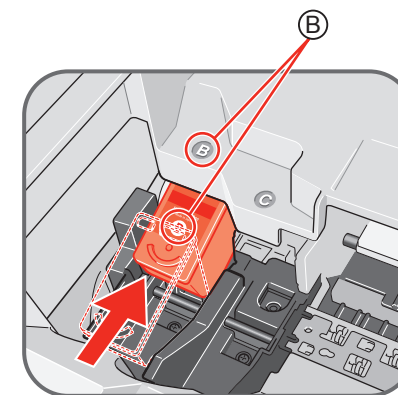
Electrical Contacts

Print Head Nozzles

Important

- Do not touch the Electrical Contacts or Print Head Nozzles on a FINE Cartridge. The machine may not print out properly if you touch it.
- Do not reattach the Protective Tape once you have removed it.
- Be careful not to stain your hands or surrounding work area with ink on the removed Protective Tape.

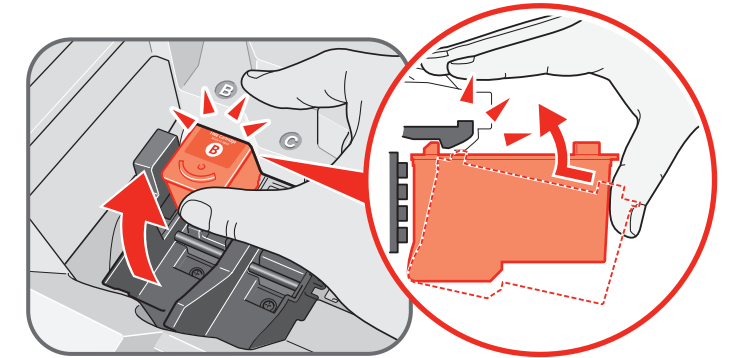
- 3 Insert the Black FINE Cartridge slightly slanted into the left slot **B**.



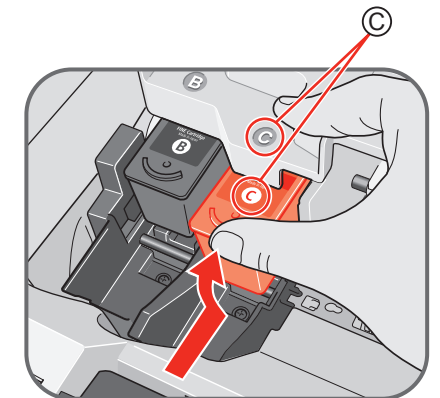
- 4 Push up the FINE Cartridge until it clicks into place.

Important

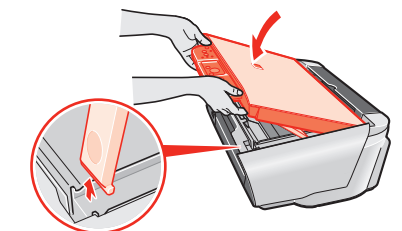
For correct machine operation, make sure the FINE Cartridge is secure in slots.



- 5 Repeat the procedure for the Color FINE Cartridge, inserting it into the right slot **C**.



- 6 Lift the Scanning Unit (Printer Cover) to put the Scanning Unit Support back to its original position, then close the Scanning Unit (Printer Cover).



Important

Once you have installed the FINE Cartridges, the LED will flash green. Wait for about one to two minutes, until the LED stops flashing and displays 1 and the machine has stopped making operating noises, before proceeding.

Hardware setup is complete.



Windows® MP Drivers Installation

Windows

Note

- The screens below refer to Windows XP Service Pack 2 installation. Screens may vary depending on the operating system you are using.
- For Windows XP or Windows 2000, log on to Windows as a member of the Administrators group before continuing.
- Before installing the driver, disable all anti-virus programs and automatically loading programs.

1 Be sure to **TURN THE MACHINE OFF** before continuing.

- Press the **ON/OFF** button.
- Make sure that the **POWER** lamp stops flashing.

2 Turn the computer on and start Windows.

Important

If you see the **Found New Hardware Wizard**, remove the USB cable. Click **Cancel** to quit the screen. Next, turn off the machine. Then proceed from step **3** to install the MP Drivers.

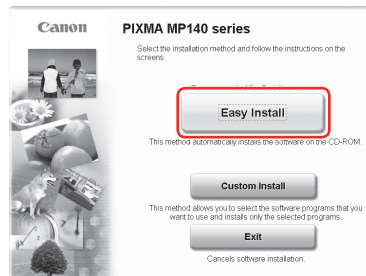


3 Insert the Setup CD-ROM. The setup program should run automatically.

Note

The setup program should run automatically. If the installer in the CD-ROM does not run automatically, click **Start** and select **My Computer**, then double-click the **CD-ROM** icon.

4 When the main menu appears, click **Easy Install**.



Note

- Select **Easy Install** in order to install the MP Drivers, on-screen manuals, and application software. Select **Custom Install** in order to choose the options you would like to install.
- To install Adobe® RGB (1998), click **Custom Install** and follow the on-screen instructions.

5 When the list of applications to install appears, confirm the contents, click **Install**.

Note

Move the cursor over items to display explanations of each application.

6 Read the License Agreement carefully and click **Yes**. Follow the on-screen instructions to install the software. If a message asking for your confirmation to restart your computer appears, click **OK**.

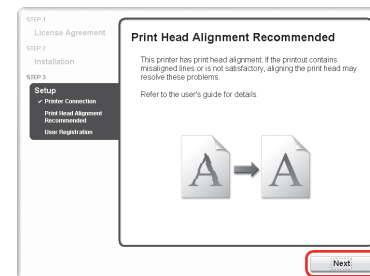
7 When the **Printer Connection** screen appears, connect one end of the USB cable to the computer, the other to the machine, then **TURN THE MACHINE ON**. The software will begin identifying the printer port being used.

Important

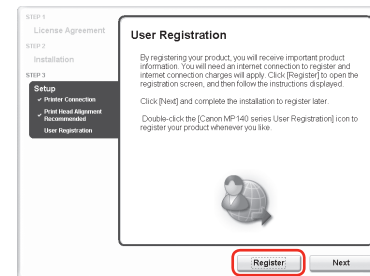
If you cannot go to the next procedure after two minutes, refer to "Troubleshooting" instructions in the *User's Guide* on-screen manual.



8 When the **Print Head Alignment Recommended** screen appears, click **Next**.



9 When the **User Registration** screen appears, click **Register**.



Note

- Follow on-screen instructions to register your product. You will need your product serial number, which is located on the inside of the machine. See Step 1-7 on the front page.
- We would appreciate it if you would take part in the **PIXMA Extended Survey Program** regarding the use of Canon machine. For details, refer to the on-screen instructions.

10 When the **Installation completed successfully** screen appears, click **Exit**.

If **Restart** is displayed, make sure that the **Restart the system now (recommended)** check box is selected, then click **Restart**.

Note

If the straight line is misaligned or print quality is not satisfactory after installing the MP Drivers, you may need to align the Print Head. Refer to "Aligning the Print Head" in the *Quick Start Guide*.

Software installation is now complete.

Macintosh® MP Drivers Installation

Macintosh

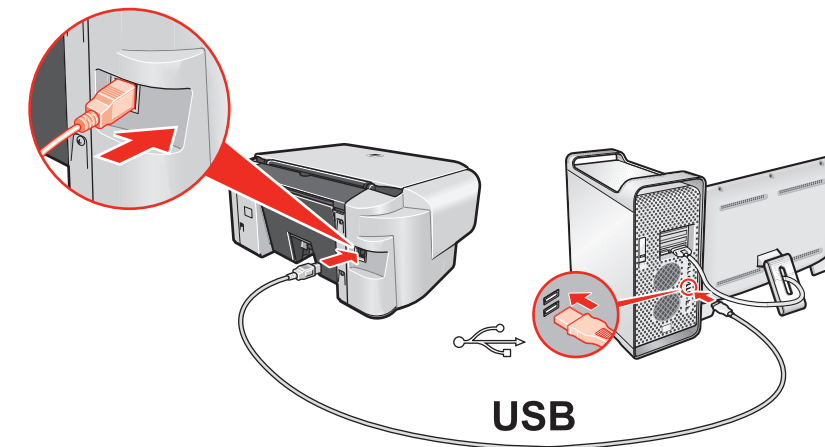
Important

Since **Mac OS 9**, **Mac OS X Classic environments**, or **Mac OS X v.10.2.7** or earlier are not supported, do not connect the machine to these.

Note

- Use Mac OS X v.10.2.8 to 10.4.x.
- The screens below refer to Mac OS X v.10.4.x installation. Screens may vary depending on the operating system you are using.
- Log on as an Administrator before continuing.
- Before installing the driver, disable all anti-virus programs and automatically loading programs.

1 Connect one end of the USB cable to the computer, the other to the machine.



2 Turn on your Mac and your machine and insert the Setup CD-ROM.

Note

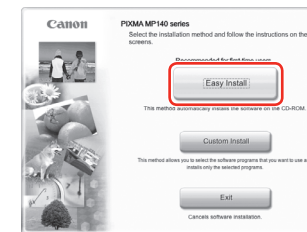
If the **CD-ROM** folder does not open automatically, double-click the **CD-ROM** icon on the desktop.

3 Double-click the **Setup** icon.

4 When the **Authenticate** screen appears, enter your administrator name and password. Click **OK**.

If you do not know your administrator name or password, click **?**, then follow the on-screen instructions.

5 When the main menu appears, click **Easy Install**.



Note

Select **Easy Install** in order to install the MP Drivers, on-screen manuals, and application software. Select **Custom Install** in order to choose the options you would like to install.

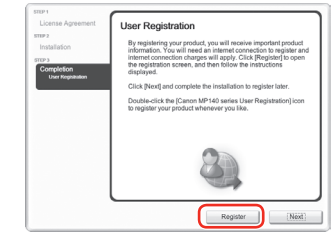
6 When the list of applications to install appears, confirm the contents, then click **Install**.

Note

Move the cursor over items to display explanations of each application.

7 Read the License Agreement carefully and click **Yes**. Follow the on-screen instructions to install the software.

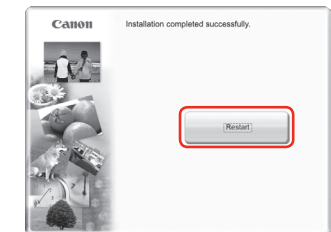
8 When the **User Registration** screen appears, click **Register**.



Note

Follow on-screen instructions to register your product. You will need your product serial number, which is located on the inside of the machine. See Step 1-7 on the front page.

9 When the **Installation completed successfully** screen appears, click **Restart**.



The system is restarted automatically.

When using Mac OS X v.10.2.8 to v.10.3.3:

Restarting the computer while connected to the machine may cause the machine not to be detected. To resolve this, either unplug the USB cable then plug it back in again, or turn the machine off then back on again.

10 After restarting the computer, start **Printer Setup Utility** (start **Print Center** if you are using Mac OS X v.10.2.8) and then check that the printer name you want to use is shown in **Printer List**. If the printer name is not displayed, click **Add** to add the machine.

For more detailed instructions, refer to the Mac on-screen Help.

Note

If the straight line is misaligned or print quality is not satisfactory after installing the MP Drivers, you may need to align the Print Head. Refer to "Aligning the Print Head" in the *Quick Start Guide*.

Software installation is now complete.

Register your Canon PIXMA today, and you will be entitled to the following benefits:

Canon Sweepstakes!!!

Register your PIXMA product and you will be automatically entered to win great Canon prizes! Visit <http://www.usa.canon.com/sweepstakes01> for details.

Receive information on new products, tips and promotions

Receive our monthly Printer Newsletter with Canon savings, fun Creative Park projects, and helpful tips.

Receive software upgrades

Canon USA often updates the software for its printers. You will be among the first to receive notifications.

Protect your product

We will keep the model number and date of purchase of your new Canon PIXMA printer on file to help you refer to this information and expedite your call in the event of an insurance claim such as loss or theft.

Free Manuals Download Website

<http://myh66.com>

<http://usermanuals.us>

<http://www.somanuals.com>

<http://www.4manuals.cc>

<http://www.manual-lib.com>

<http://www.404manual.com>

<http://www.luxmanual.com>

<http://aubethermostatmanual.com>

Golf course search by state

<http://golfingnear.com>

Email search by domain

<http://emailbydomain.com>

Auto manuals search

<http://auto.somanuals.com>

TV manuals search

<http://tv.somanuals.com>