

# **U** *SER MANUAL*

---

## ***80R & 100R***

***Integral Mount  
Sideshifter, Sideshifting  
Fork Positioner***

***Original Instructions***

***Number 6914838 EN***



**cascade<sup>®</sup>  
corporation**

Cascade is a Registered Trademark of Cascade Corporation

# CONTENTS

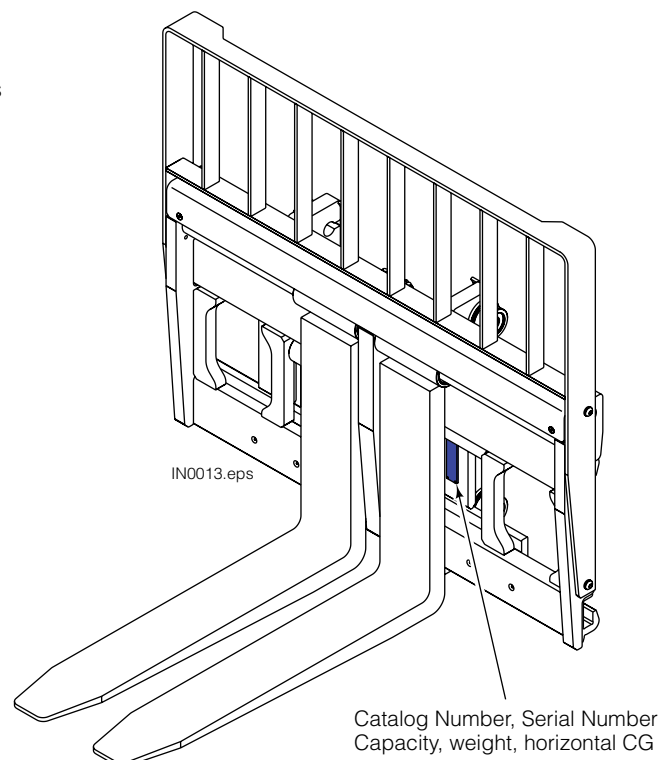
	Page
<b>INTRODUCTION</b>	<i>i</i>
Special Definitions	1
<b>OPERATION</b>	1
Safety Rules – Industrial Lift Trucks	2
Safety Rules – Handling Loads	3
Sideshift & Fork Position Operation	3
Daily Inspection	4
Safe Operation and Maintenance	5
<b>INSTALLATION</b>	
Truck Requirements	6
Hydraulic Supply	6
Attachment Installation	7
<b>PERIODIC MAINTENANCE</b>	
Daily	11
1000-Hour	11
2000-Hour	11
<b>RESIDUAL HAZARDS</b>	12
<b>NAMEPLATE ICONS</b>	13

## INTRODUCTION

This manual is for the Cascade 80R and 100R Integral Sideshifter/Fork Positioner. Contents include an Operator's Guide, Installation Instructions and Periodic Maintenance.

**IMPORTANT:** The 80R and 100R Integral Fork Positioner/ Sideshifter is metric. Supply fittings can be adapted as required for your application.

**NOTE:** All specifications are shown in Metric units where applicable. All fasteners have a torque value range of  $\pm 10\%$  of stated value.



## Special Definitions

The statements shown appear throughout this Manual where special emphasis is required. Read all WARNINGS and CAUTIONS before proceeding with any work. Statements labeled IMPORTANT and NOTE are provided as additional information of special significance or to make the job easier.



**WARNING** – A statement preceded by WARNING is information that should be acted upon to prevent bodily injury. A WARNING is always inside a ruled box.

**CAUTION** – A statement preceded by CAUTION is information that should be acted upon to prevent machine damage.

**IMPORTANT** – A statement preceded by IMPORTANT is information that possesses special significance.

**NOTE** – A statement preceded by NOTE is information that is handy to know and may make the job easier.



**WARNING:** Rated capacity of the truck/attachment combination is a responsibility of the original truck manufacturer and may be less than shown on the attachment nameplate. Consult the truck nameplate.

**WARNING:** Do not operate this attachment unless you are a trained and authorized lift truck driver.

**Weighted Emission Sound Pressure Level** - Weighted emission sound pressure level ( $L_{pA}$ ) does not exceed 70 dB(A).

**Measured Value of Whole Body Vibration** - Measured value of whole body vibration ( $m/s^2$ ) does not exceed 0,5  $m/s^2$ .

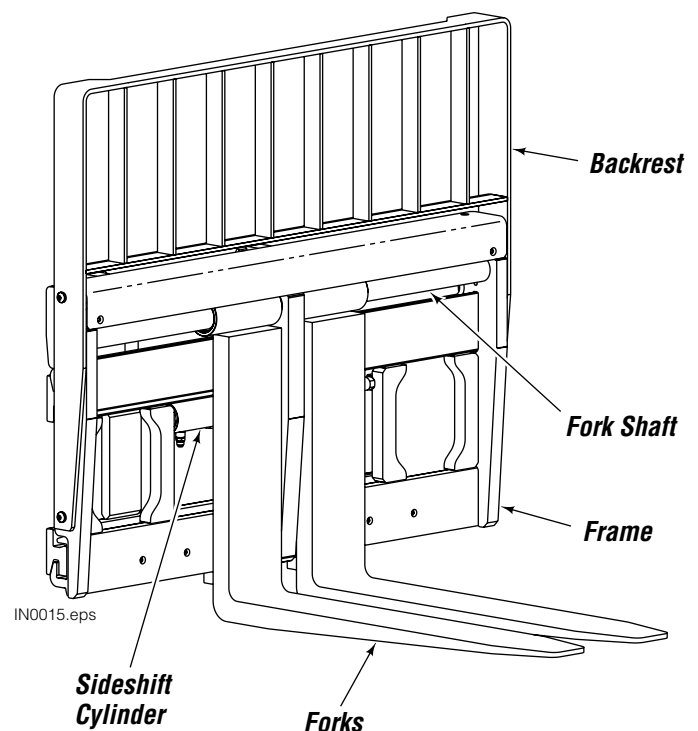
**Measured Value of Hand-Arm Vibration** - Measured value of hand-arm vibration ( $m/s^2$ ) does not exceed 2,5  $m/s^2$ .

## OPERATION

This section contains operating instructions for the Cascade 80R and 100R Integral Sideshifter/Fork Positioner. It will help you avoid common errors which often cause damage to the equipment or product being handled.

This information is intended to simplify operator understanding about effective and safe Attachment use and operation. Read this information thoroughly before operating the attachment. Be sure you know and understand all operating procedures and safety precautions. If you have any questions or don't understand a procedure, ask your supervisor.

**Emphasize Safety!** Most accidents are caused by operator carelessness or misjudgment. You must watch for poorly maintained equipment and hazardous situations and correct them.



# OPERATION

## Safety Rules – Industrial Lift Trucks

No riders



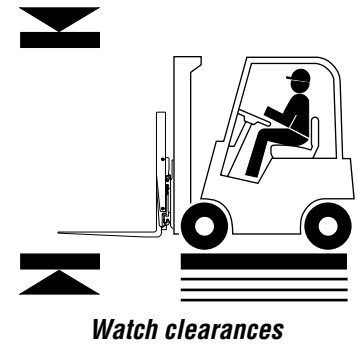
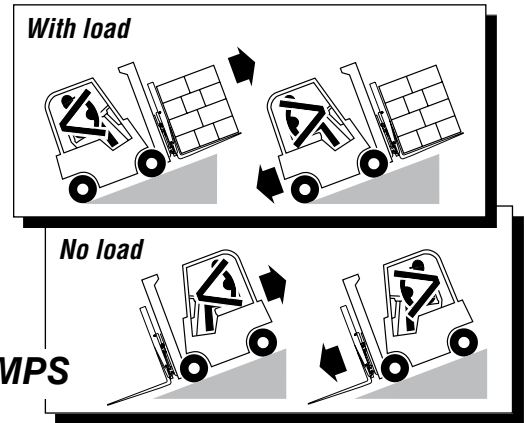
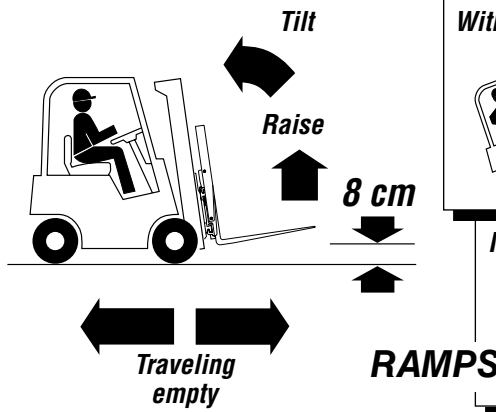
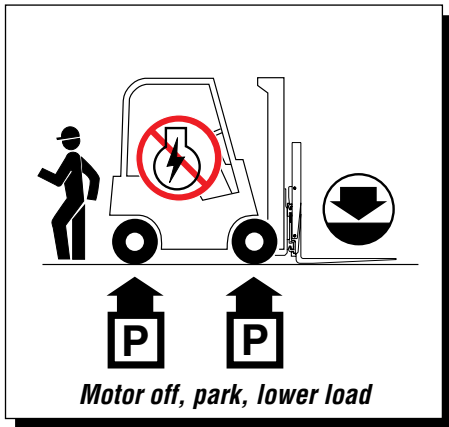
No reaching through mast



No standing under load



FP2947.eps

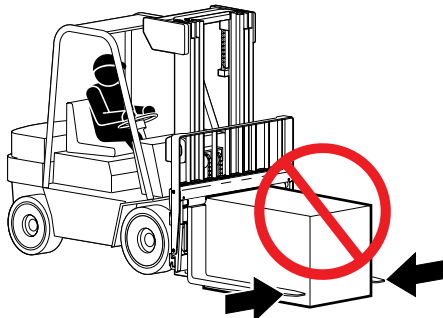


FP2948.eps

<p><b>TRAFFIC</b></p> <p>Observe</p> <p>Workers</p> <p>Stops</p>			<p>Slow for two-way traffic</p>	<p>Sound horn, slow at intersection</p>	<p>Sound horn, slow at corner</p>
<p>Wet floors</p>	<p>Bumps</p>	<p>Dips</p>			

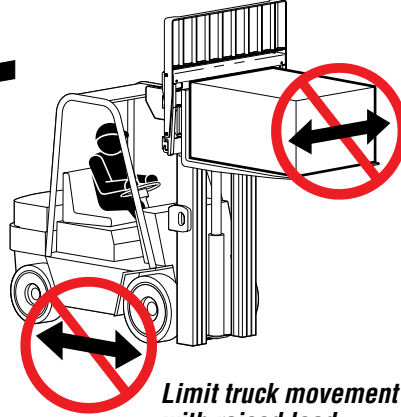
# OPERATION

## Safety Rules – Handling Loads

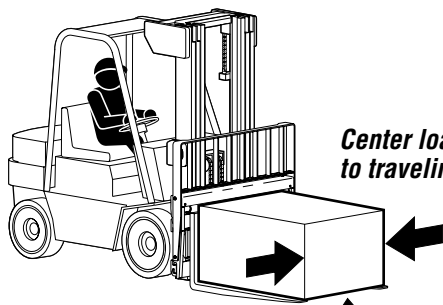


**CAUTION: Do not put side loads on forks.**

**Limit sideshifting with raised load.**

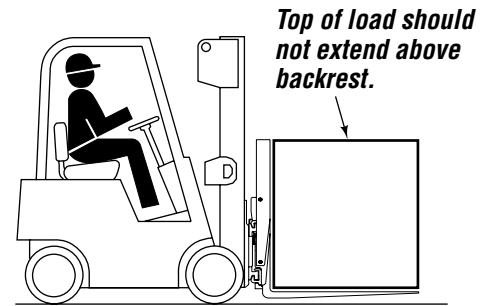


**Limit truck movement with raised load.**

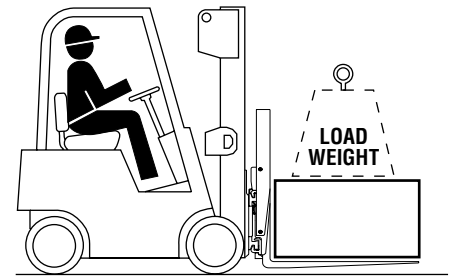


**Center load prior to traveling.**

**Raise load prior to sideshifting.**



**Top of load should not extend above backrest.**



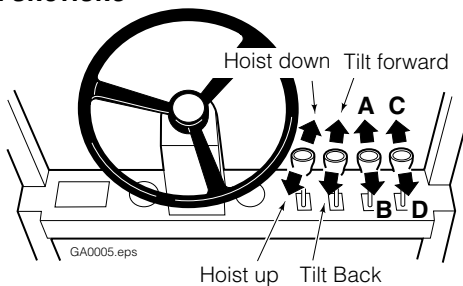
FP2955.eps

**Load weight must not exceed combined truck/attachment capacity (see truck nameplate).**

**Total fork capacity (LH + RH fork) must be greater than load weight. Check capacity stamp on forks.**

## Sideshift & Fork Position Operation

### AUXILIARY VALVE FUNCTIONS



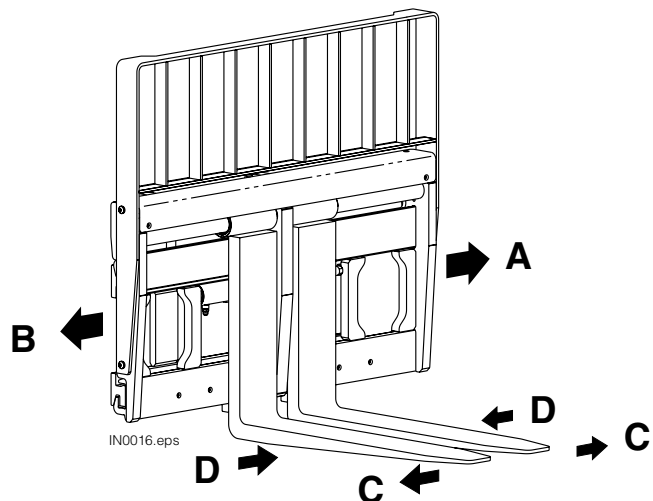
GA0005.eps



**WARNING:** Truck control handle and attachment function activation shown here conforms to ISO 3691 recommended practices. Failure to follow these practices may lead to serious bodily injury or property damage. End user, dealer and OEMs should review any deviation from the practices for safe operation.

### SIDESHIFTING & FORK POSITIONING

- A** Sideshift Left
- B** Sideshift Right
- C** Open Forks (if equipped)
- D** Close forks (if equipped)

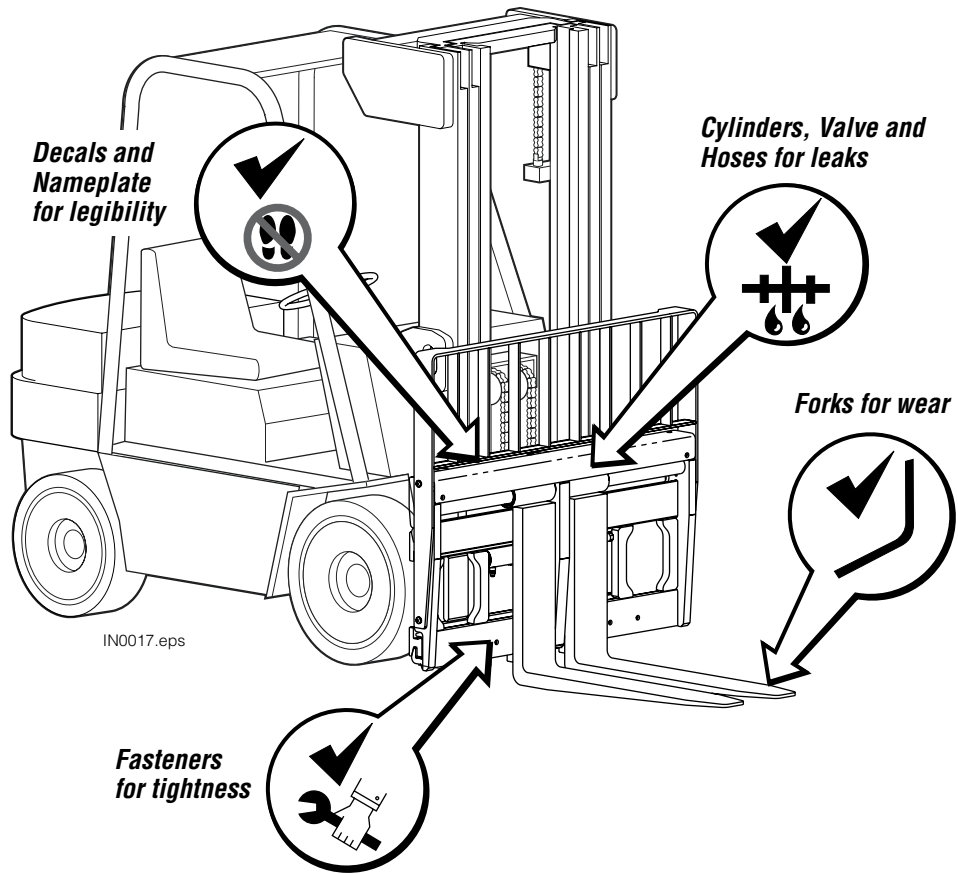


IN0016.eps

# OPERATION

## Daily Inspection

Check items shown each day. Report problems to your supervisor. Refer to the attachment's service manual for troubleshooting and repair procedures.



# SAFE OPERATION AND MAINTENANCE

## Industrial Trucks and Attachments



**WARNING:** When operating and maintaining industrial trucks equipped with attachments, you should pay particular attention to the following information. You should be familiar with this information for truck and attachment operation. **Ask your employer for complete operation information.**

### General Requirement

Modifications and additions which affect capacity and safe operation shall not be performed by the customer or user without manufacturers prior written approval. Capacity, operation and maintenance instruction plates, tags or decals shall be changed accordingly.

If the truck is equipped with front-end attachments other than factory installed attachments, the user shall request that the truck be marked to identify the attachments and show the appropriate weight of the truck and attachment combination at maximum elevation with load laterally centered.

The user shall see that all nameplates and markings are in place and maintained in a legible condition.

### Safety Guards

If the type of load presents a hazard, the user shall equip fork trucks with a vertical load backrest extension in accordance with the following.

All new powered industrial trucks acquired and used by an employer after February 15, 1972 shall meet the design and construction requirements for powered industrial trucks established in the "American National Standard for Powered Industrial Trucks, Part II, ANSI B56.1", except for vehicles intended primarily for earth moving or over-the-road hauling.

### Operator Training

Only trained and authorized operators shall be permitted to operate a powered industrial truck. Methods shall be devised to train operators in the safe operation of powered industrial trucks.

### Truck Operations

Trucks shall not be driven up to anyone standing in front of a bench or other fixed object.

No person shall be allowed to stand or pass under the elevated portion of any truck, whether loaded or empty.

Unauthorized personnel shall not be permitted to ride on powered industrial trucks. A safe place to ride shall be provided where riding of trucks is authorized.

The employer shall prohibit arms or legs from being placed between the uprights of the mast or outside the running lines of the truck.

When a powered industrial truck is left unattended, load engaging means shall be fully lowered, controls shall be neutralized, power shall be shut off and brakes set. Wheels shall be blocked if the truck is parked on an incline.

A powered industrial truck is unattended when the operator is 7 meter or more away from the vehicle which remains in his view, or whenever the operator leaves the vehicle and it is not in his view.

When the operator of an industrial truck is dismounted and within 7 meter of the truck still in his view, the load engaging means shall be fully lowered, controls neutralized and the brakes set to prevent movement.

A safe distance shall be maintained from the edge of ramps or platforms while on any elevated dock or platform or freight car. Trucks shall not be used for opening or closing freight doors.

A load backrest extension shall be used whenever necessary to minimize the possibility of the load or part of it from falling rearward.

### Traveling

The driver shall be required to slow down and sound the horn at cross isles and other locations where vision is obstructed. If the load being carried obstructs forward view, the driver shall be required to travel with the load trailing.

When ascending or descending grades in excess of 10 percent, loaded trucks shall be driven with the load up grade.

On all grades the load and load engaging means shall be tilted back if applicable, and raised only as far as necessary to clear the road surface.

### Loading

Only stable or safely arranged loads shall be handled. Caution shall be exercised when handling off-center loads which cannot be centered.

Only loads within the rated capacity of the truck shall be handled.

The long or high (including multiple-tiered) loads which may affect capacity shall be adjusted.

Trucks equipped with attachments shall be operated as partially loaded trucks when not handling a load.

A load engaging means shall be placed under the load as far as possible; the mast shall be carefully tilted backward to stabilize the load.

Extreme care shall be used when tilting the load forward or backward, particularly when high tiering. Tilting forward with load engaging means elevated shall be prohibited except to pick up a load. An elevated load shall not be tilted forward except when the load is in a deposit position over a rack or stack. When stacking or tiering, only enough backward tilt to stabilize the load shall be used.

### Operation of the Truck

If at any time a powered industrial truck is found to be in need of repair, defective, or in any way unsafe, the truck shall be taken out of service until it has been restored to safe operating condition.

### Maintenance of Industrial Trucks

Any power-operated industrial truck not in safe operating condition shall be removed from service. All repairs shall be made by authorized personnel.

All parts of any such industrial truck requiring replacement shall be replaced only by parts equivalent as to safety with those used in the original design.

Industrial trucks shall not be altered so that the relative positions of the various parts are different from what they were when originally received from the manufacturer, nor shall they be altered either by the addition of extra parts not provided by the manufacturer or by the elimination of any parts. Additional counter-weighting of fork trucks shall not be done unless approved by the truck manufacturer.

Industrial trucks shall be examined before being placed in service and shall not be placed in service if the examination shows any condition adversely affecting the safety of the vehicle. Such examinations shall be made at least daily. When industrial trucks are used on a round-the-clock basis, they shall be examined after each shift. Defects when found shall be immediately reported and corrected.

# INSTALLATION

## Truck Requirements

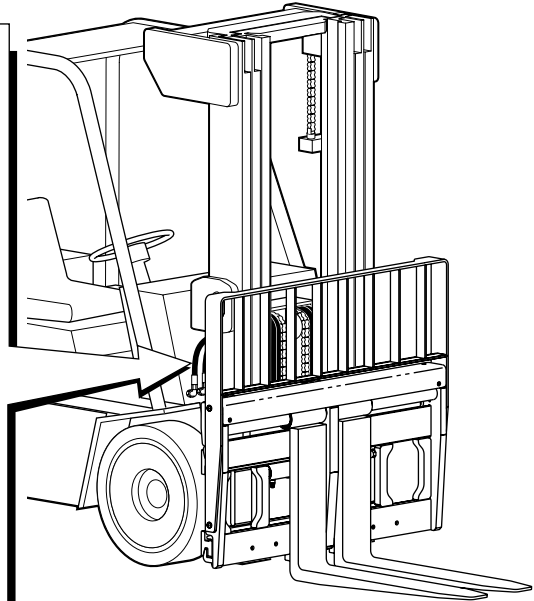
### Truck Relief Setting

152 bar Recommended  
241 bar Maximum

### Truck Flow Volume <sup>①</sup>

	Min. <sup>②</sup>	Recommended	Max. <sup>③</sup>
80R/100R-IFS	4 L/min.	7.5 L/min.	12 L/min.
80R/100R-ISS	4 L/min.	7.5 L/min.	12 L/min.

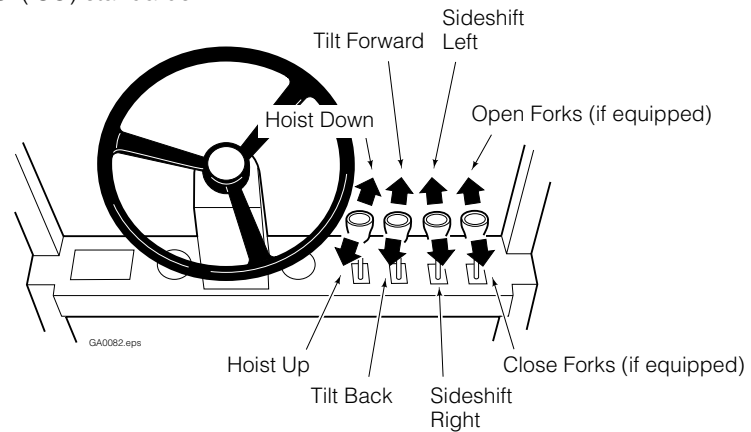
- ① Cascade R-Series Integral Attachments are compatible with SAE 10W petroleum base hydraulic fluid meeting Mil. Spec. MIL-0-5606 or MIL-0-2104B. Use of synthetic or aqueous base hydraulic fluid is not recommended. If fire resistant hydraulic fluid is required, special seals must be used. Contact Cascade.
- ② Flow less than recommended will result in slow fork positioning and sideshift speed.
- ③ Flow greater than maximum can result in excessive heating, reduced system performance and short hydraulic system life.



IN0018.eps

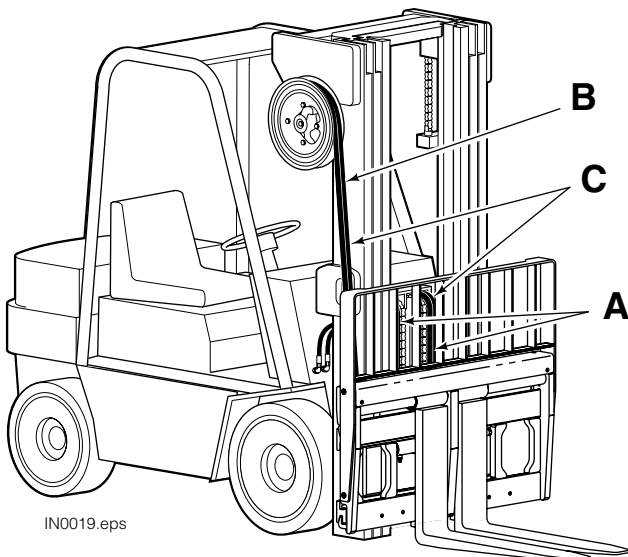
## Auxiliary Valve Functions

Check for compliance with ANSI (ISO) standards:



GA0082.eps

## Hydraulic Supply



IN0019.eps

**Fork Positioning and Sideshift function:** No. 8 hose/  
No. 8 fittings with 10 mm minimum ID.

Refer to Cascade *Hose & Cable Reel Selection Guide*, Part No. 212199 to select the correct hose reel for the mast and truck.

### Sideshifting

- A** Mast Single Internal Reaving  
**OR**  
**B** Hose Reel

### Fork Positioning & Sideshifting

- A** Mast Double Internal Reaving  
**OR**  
**C** Mast Single Internal Reaving and Hose Reel



# INSTALLATION

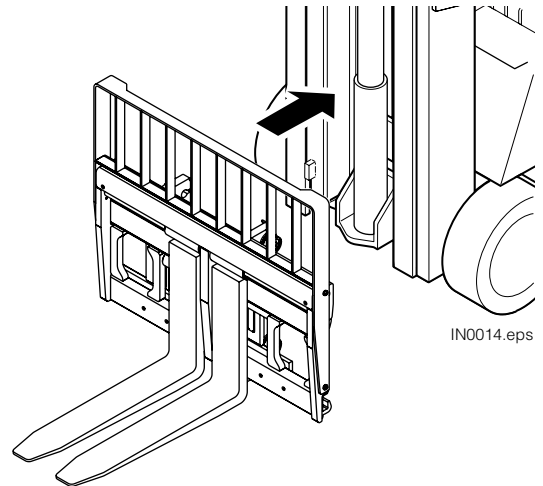
## Attachment Installation

**IMPORTANT:** Integral attachment installation is an OEM or dealer responsibility. Some of the following steps may or may not be required, but are shown for reference. Refer to the appropriate service manual for service and repair procedures.



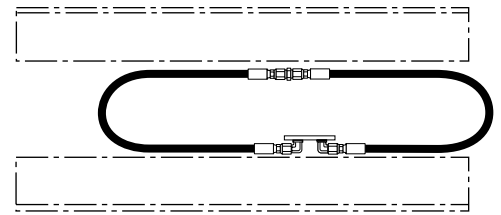
**WARNING:** Check the attachment weight (located on the nameplate) to make sure the overhead hoist and chains or straps are at least the rated capacity of the attachment.

**1** Integral attachment should be installed in the mast per OEM specifications and procedures.



**2** Flush supply hoses

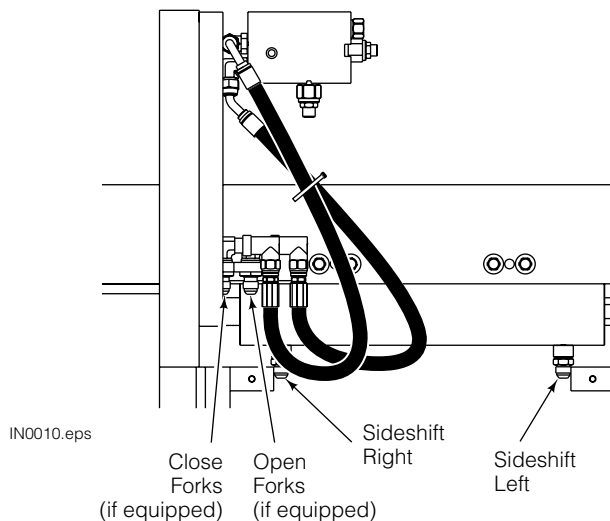
- A** Connect supply hoses to supply terminals and connect together using union fittings as shown.
- B** Operate auxiliary valves for 30 sec.
- C** Remove union fittings.



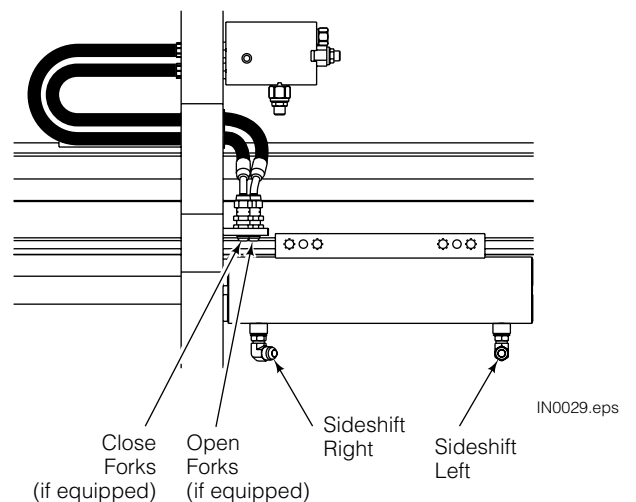
**3** Install supply hoses

Fittings are male No. 8 JIC 37°.

**80R**



**100R**



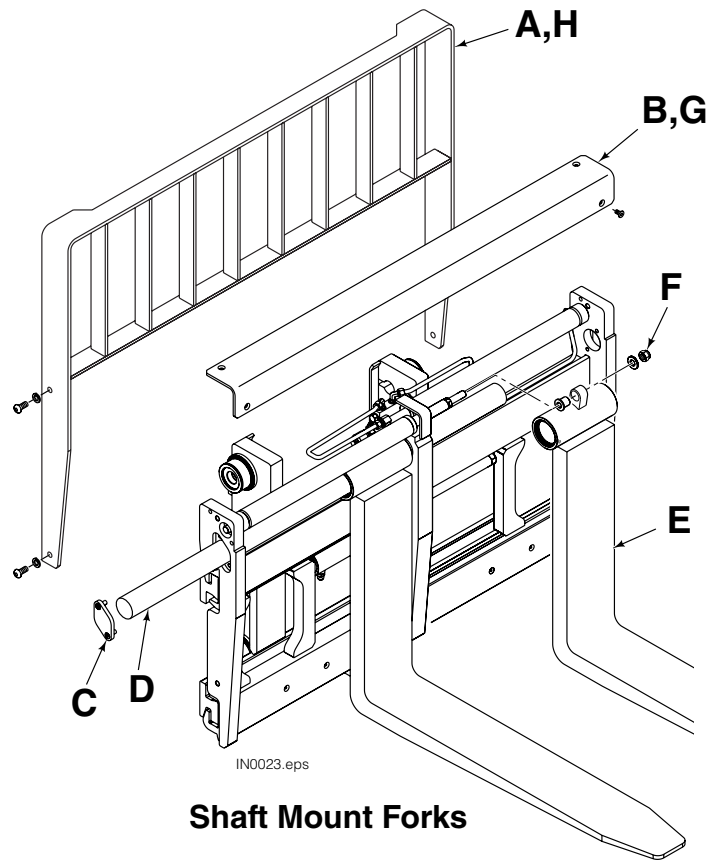
# INSTALLATION

## Attachment Installation

### 4 Install forks (if required)

#### Shaft Mount Forks

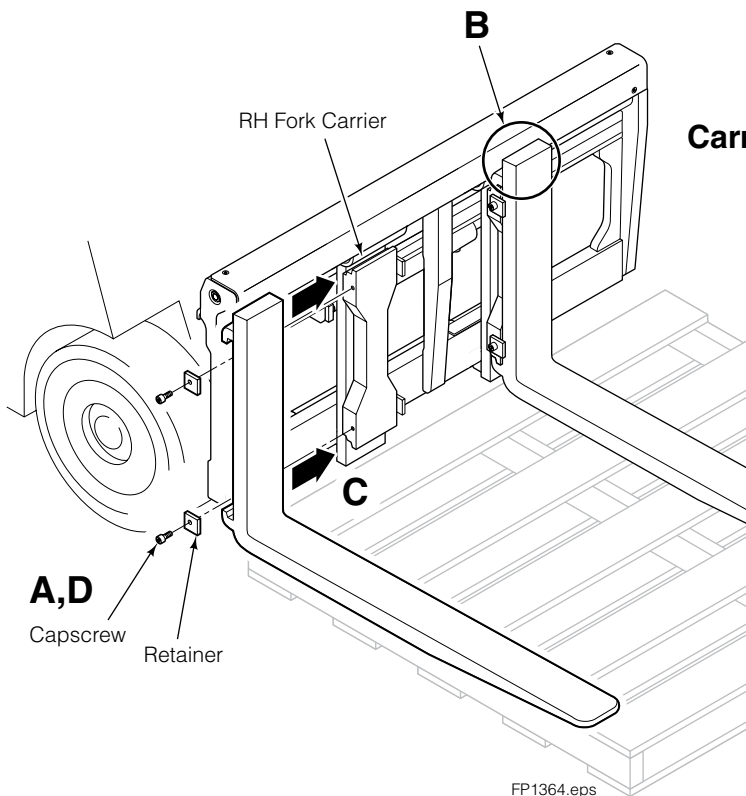
- A** Remove the backrest (if equipped).
- B** Remove the cover plate.
- C** Remove the fork shaft end cover.
- D** Pull the shaft out of the frame far enough to allow installing the fork tube on the shaft.
- E** Engage the fork lower hook with the lower carriage bar. Insert the shaft through the fork tube. Fully engage the shaft in the frame and install the end plate. Tighten the end plate capscrews to the torque of 66 Nm.
- F** Fasten the cylinder rod end to the fork tube anchor. Tighten the nut to 320 Nm.
- G** Reinstall the cover plate. Tighten capscrews to the torque of 38 Nm.
- H** Reinstall the backrest. Tighten capscrews to the torque of 66 Nm.



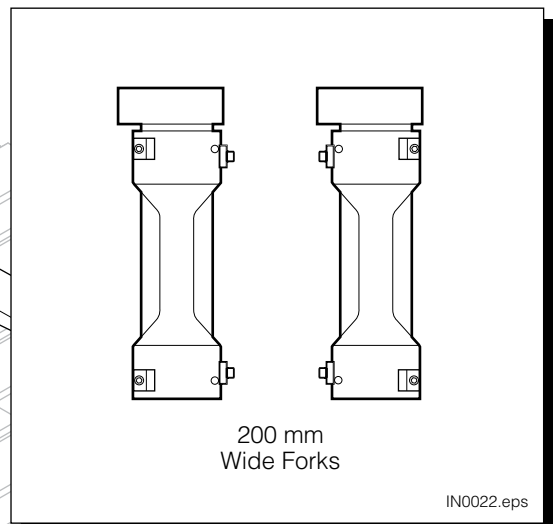
Shaft Mount Forks

#### Carrier Mount Forks

- A** Remove capscrews and fork carrier outer retainers.
- B** Remove locking pin from fork upper hook, if equipped.
- C** Install forks using a pallet or blocks. Keep feet clear of forks.
- D** Reinstall fork carrier retainers and tighten capscrews to 165 Nm (lube torque).



Carrier Mount Forks

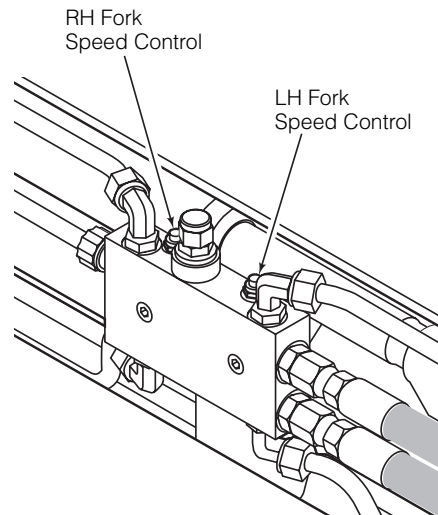


## 5 Cycle Attachment functions

- Open and close forks several times (if equipped). Sideshift left and right. Check for smoothness and equal fork movement. Equalize fork movement if required by adjusting the valve speed controls.
- Check for operation in accordance with ISO standards.
- Check for leaks at fittings, valve and cylinders.

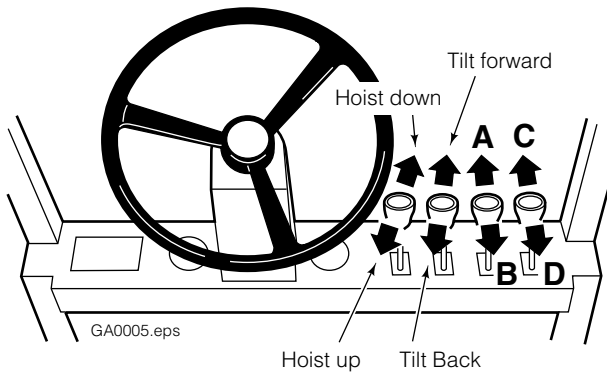


**WARNING:** Truck control handle and attachment function activation shown here conforms to ISO 3691 recommended practices. Failure to follow these practices may lead to serious bodily injury or property damage. End user, dealer and OEMs should review any deviation from the practices for safe operation.



IN0032.eps

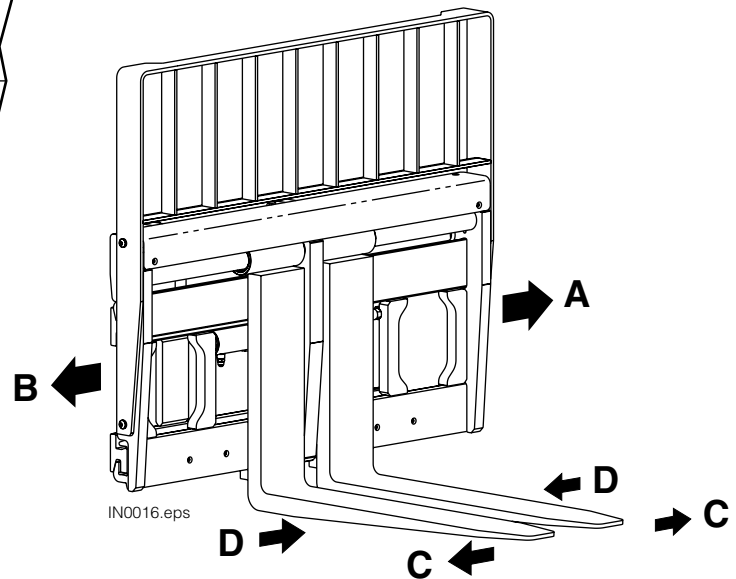
### AUXILIARY VALVE FUNCTIONS



GA0005.eps

### SIDESHIFTING & FORK POSITIONING

- A** Sideshift Left
- B** Sideshift Right
- C** Open Forks (if equipped)
- D** Close forks (if equipped)



IN0016.eps

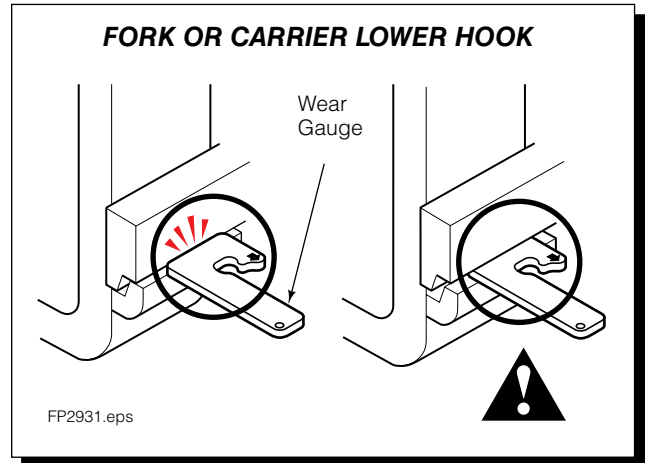
# INSTALLATION

## Attachment Installation

### 6 Inspect fork or carrier hook clearance

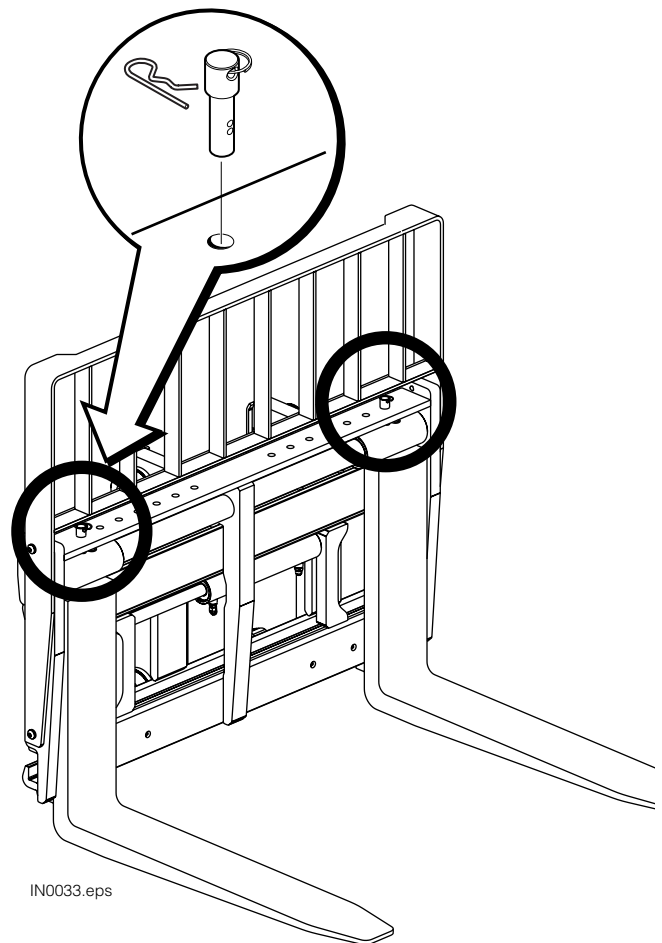
**NOTE:** Use go/no-go Wear Gauge Part No. 209560 (Class II) or 209561 (Class III).

Inspect the fork or carrier lower hooks. If the gauge fits between the lower hook and frame, repair or replacement is needed.



### 7 Sideshifters—Position forks

Remove hairpin cotter and clevis pin from frame. Position forks to required position. Reinstall clevis pin to fully engage top hole in fork. Install hairpin cotter.



# PERIODIC MAINTENANCE

## Daily

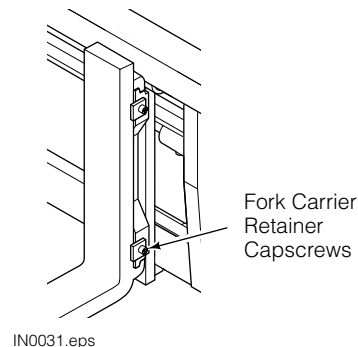
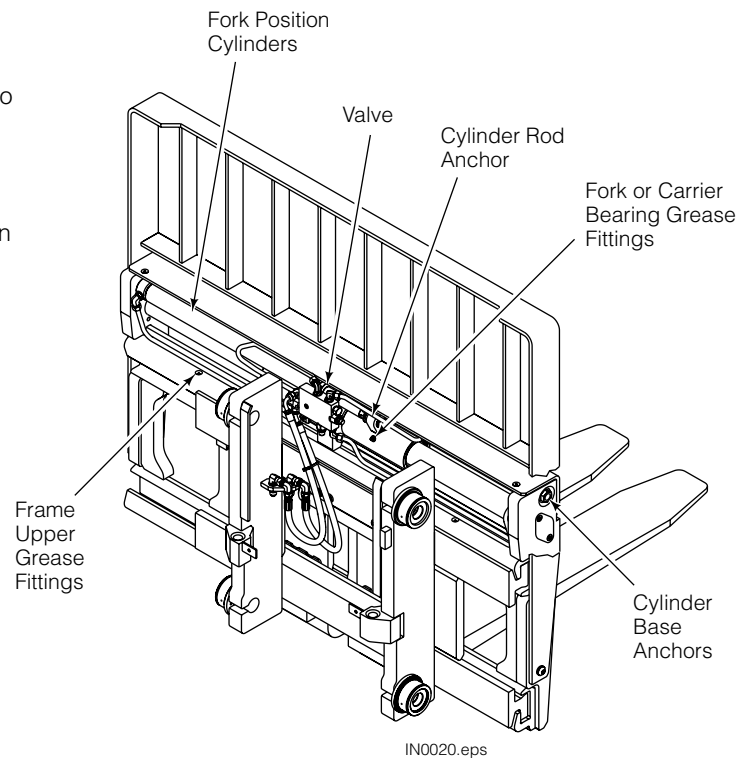
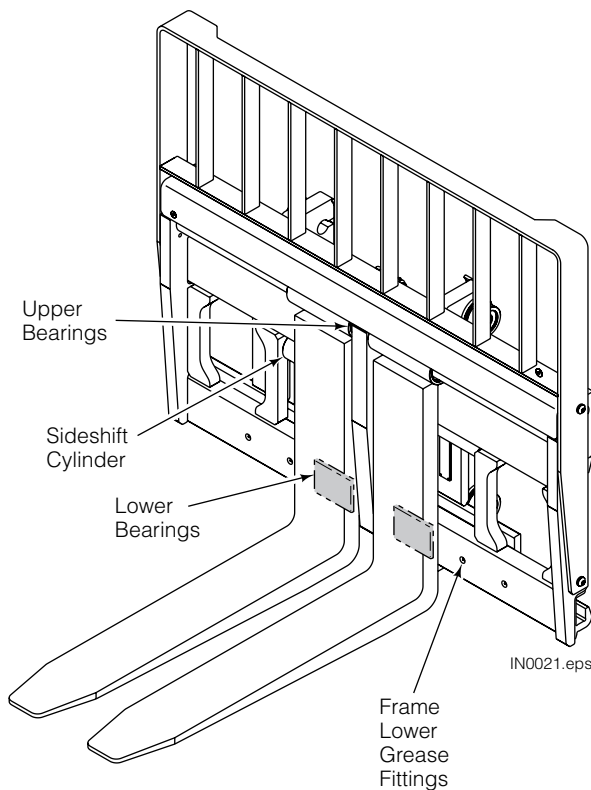
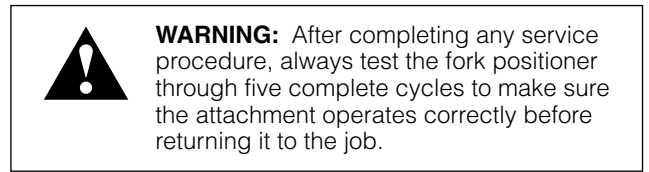
Check items shown each day. Report problems to your supervisor. Refer to service manual for troubleshooting, maintenance and repair procedures.

- Check for loose or missing capscrews, worn or damaged hoses, and hydraulic leaks.

## 1000-Hour

Every time the lift truck is serviced or every 1000 hours of truck operation, whichever comes first, complete the following maintenance procedure:

- Apply chassis grease to the frame upper and lower grease fittings and fork or carrier bearing grease fittings.
- Tighten fork carrier retainer capscrews to 165 Nm.
- Tighten the fork position cylinder rod anchor nuts to 320 Nm.
- Tighten the fork position cylinder base anchor nuts to 450 Nm.
- Tighten the sideshift cylinder capscrews to 105 Nm.
- Inspect the fork or carrier upper and lower bearings for wear or damage. If bearing thickness is less than 1.5 mm, replace the bearings.



# PERIODIC MAINTENANCE

---

## 2000-Hour

After 2000 hours of truck operation, in addition to the 1000-hour maintenance, forks in use shall be inspected at intervals of not more than 12 months (for single shift operations) or whenever any defect or permanent deformation is detected. Severe applications will require more frequent inspection.

Fork inspection shall be carried out by trained personnel to detect any damage that might impair safe use. Any fork that is defective shall be removed from service. Reference ANSI B56.1-2005.

Inspect for the following defects:

- Surface cracks
- Straightness of blade and shank
- Fork angle
- Difference in height of fork tips
- Positioning lock
- Wear on fork blade and shank
- Wear on fork hooks
- Legibility of marking

**NOTE:** Fork Safety Kit 3014162 contains wear calipers, inspection sheets and safety poster. Also available is fork hook & carriage wear gauge 209560 (Class II), 209561 (Class III).

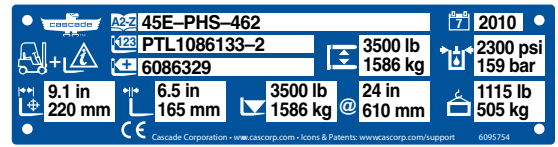
## RESIDUAL HAZARDS

---

The attachment has been designed to prevent risks during movement, installation and operation. There are, however, some residual hazards:

- Hazard of crushing between the lift truck's front structure and the mast when completely tilted backwards.
- Hazard of shearing between the lift truck's front structure and mast components that move vertically with the mast completely tilted backwards.
- Hazard of shearing between the attachment frame and forks.
- Hazard of crushing during fork service procedures.
- Hazard of crushing during cylinder service procedures.
- Hazard of crushing during installation and periodic maintenance operations.

(EN) NAMEPLATE ICONS	(GA) IDENTIFICACIÓN ICONAS	(NO) NAVNEPLATE-IKONER
(BG) ТАБЕЛКА С ИМЕ ИКОНИ	(HU) NEVTÁBLÁN IKONOK	(PL) NAMEPLATE ICOANE
(CS) JMENOVKA IKONY	(IS) NAFNASKILTATÁKN	(PT) IDENTIFICAÇÃO ICONES
(DA) NAVNESKILT IKONER	(IT) ICONE DELLA TARGA	(RO) ICONOS DE PLACA
(DE) TYPENSCHILD SYMBOLE	(JA) 銘板アイコン	(RU) ТАБЛИЧКУ ЗНАЧКОВ
(EL) ΟΝΟΜΑΣΤΙΚΗΣ ΕΙΚΟΝΙΔΙΑ	(KO) 명판 아이콘	(SK) MENOVAKA ICONS
(ES) PLACA DE ICONOS	(LT) NOMINALUS PIKTOGRAMOS	(SL) TABLICA IKONE
(ET) NIMEPLAADILE IKOONID	(LV) AR NOSAUKUMU IKONAS	(SV) NAMNSKYLTEN IKONER
(FI) NIMIKYLTTI KUVAKKEET	(MT) NAMEPLATE ICOANE	(TR) BILGI ETIKETI SIMGELERI
(FR) PLAQUE ICÔNES	(NL) NAAMBORD ICONEN	(ZH) 铭牌图标



(EN) MODEL	(ES) MODELO	(IS) MÓDEL	(MT) MUDELL	(RU) МОДЕЛЬ
(BG) МОДЕЛ	(ET) MUDEL	(IT) MODELLO	(NL) MODEL	(SK) MODEL
(CS) MODEL	(FI) MALLI	(JA) モデル	(NO) MODELL	(SL) MODEL
(DA) MODEL	(FR) MODÈLE	(KO) 모델	(PL) MODEL	(SV) MODEL
(DE) MODELL	(GA) DÉANAMH AGUS AINM	(LT) MODELIS	(PT) MODELO	(TR) MODEL
(EL) ΜΟΝΤΕΛΟ	(HU) MODELL	(LV) MODELIS	(RO) MODEL	(ZH) 型号



(EN) SERIAL NUMBER	(ES) NÚMERO DE SERIE	(IS) RÁÐNÚMÉR	(MT) NUMRU TAS-SERJE	(RU) СЕРИЙНЫЙ НОМЕР
(BG) СЕРИЕН НОМЕР	(ET) SEERIANUMBER	(IT) NUMERO DI SERIE	(NL) SERIENUMMER	(SK) SÉRIOVÉ ČÍSLO
(CS) SÉRIOVÉ ČÍSLO	(FI) SARJANUMERO	(JA) シリアル番号	(NO) SERIENUMMER	(SL) SERIJSKA ŠTEVILKA
(DA) SERIENUMMER	(FR) NUMERO DE SERIE	(KO) 일련 번호	(PL) NUMER SERYJNY	(SV) SERIENUMMER
(DE) SERIENNUMMER	(GA) SRAITHUMHIR	(LT) SERIJINIS NUMERIS	(PT) NÚMERO DE SÉRIE	(TR) SERI NUMARASI
(EL) ΣΕΙΡΙΑΚΟΣ ΑΡΙΘΜΟΣ	(HU) GYÁRI SZÁM	(LV) SĒRIJAS NUMURS	(RO) NUMĂR DE SERIE	(ZH) 序列号



(EN) ADDITIONAL INFORMATION	(ES) INFORMACIÓN ADICIONAL	(IS) VIÐBÁRTAR/ÆKI	(MT) INFORMAZZJONI ADDIZZJONALI	(RU) ДОПОЛНИТЕЛЬНАЯ ИНФОРМАЦИЯ
(BG) ДОПЪЛНИТЕЛНА ИНФОРМАЦИЯ	(ET) LISAINFO	(IT) INFORMAZIONI AGGIUNTIVE	(NL) AANVULLENDE INFORMATIE	(SK) DALŠIE INFORMÁCIE
(CS) DOPLŇKOVÉ INFORMACE	(FI) LISÄTIETOJA	(JA) 追加情報	(NO) TILLEGGSUTSTYR	(SL) DATATNE INFORMACIJE
(DA) YDERLIGERE OPLYSNINGER	(FR) INFORMATIONS SUPPLÉMENTAIRES	(KO) 추가 정보	(PL) INFORMACJE DODATKOWE	(SV) YTTERLIGARE INFORMATION
(DE) ZUSÄTZLICHE INFORMATIONEN	(GA) TUILLLEADH FAISNEISE	(LT) PAPILDOMA INFORMACIJA	(PT) INFORMAÇÕES ADICIONAIS	(TR) LAVVE EKIPMAN
(EL) ΠΡΟΣΘΕΤΕΣ ΠΛΗΡΟΦΟΡΙΕΣ	(HU) KIEGÉSZÍTŐ INFORMÁCIÓ	(LV) PAPILDU INFORMĀCIJA	(RO) INFORMAȚII SUPPLEMENTARE	(ZH) 其它信息



(EN) MAXIMUM CAPACITY	(ES) CAPACIDAD MÁXIMA	(IS) HÁMARKS GETA	(MT) KAPAĊITÀ MASSIMA	(RU) МАКСИМАЛЬНАЯ ГРУЗОПОДЪЕМНОСТЬ
(BG) МАКСИМАЛЕН КАПАЦИТЕТ	(ET) MAKSIMAALNE JÕUDLUS	(IT) PORTATA MASSIMA	(NL) MAXIMAAL LAADVERMOGEN	(SK) MAXIMÁLNA NOSNOSŤ
(CS) MAXIMÁLNÍ NOSNOST	(FI) MAKSIMIKAPASITEETTI	(JA) 最大容量	(NO) MAKSIMAL KAPASITET	(SL) NAJVEČJA ZMOGLJIVOST
(DA) MAKS. KAPASITET	(FR) CAPACITE MAXIMUM	(KO) 최대 용량	(PL) UDŹWIG MAKSYMALNY	(SV) MAXIMAL KAPACITET
(DE) MAXIMALKAPAZITÄT	(GA) UASCHUMAS	(LT) SERIJINIS GALIA	(PT) CAPACIDADE MÁXIMA	(TR) MAXIMUM KAPASITE
(EL) ΜΕΓΙΣΤΗ ΧΩΡΗΚΟΤΗΤΑ	(HU) MAXIMÁLIS KAPACITÁS	(LV) MAKSIMĀLĀ CELTSPĒJA	(RO) CAPACITATE MAXIMĂ	(ZH) 最大承载能力



(EN) MAXIMUM CAPACITY BETWEEN FORKS	(FI) MAKSIMINOSTOKYKY HAARUKOIDEN VÄLISSÄ	(LT) MAKSIMALI GALIA TARP ŠAKIJŲ	(RU) МАКСИМАЛЬНАЯ ГРУЗОПОДЪЕМНОСТЬ МЕЖДУ ВИЛАМИ
(BG) МАКСИМАЛНА ТОВАРОПОДЕМНОСТ МЕЖДУ ВИЛИЦИТЕ	(FR) CAPACITÉ MAXIMALE ENTRE LES FOURCHES	(LV) MAKSIMĀLĀ CELTSPĒJA STARP DAKŠĀM	(SK) MAXIMÁLNA NOSNOSŤ MEDZI VIDLICAMI
(CS) MAXIMÁLNÍ NOSNOST MEZI VIDLICEMI	(GA) UASCHUMAS IDIR NA GABHAIL	(NL) KAPAĊITÀ MASSIMA BEIIN IL-FRIEKET	(SL) NAJVEČJA ZMOGLJIVOST MED VILICAMI
(DA) MAKSIMAL KAPASITET MELLEML GAFLERNE	(HU) MAXIMUM TEHERBÍRÁS VILLÁK KÖZÖTT	(NO) MAXIMUMCAPACITEIT TUSSEN VORKEN	(SV) MAXIMAL KAPACITET MELLAN GAFFLAR
(DE) MAXIMALE TRAGFÄHIGKEIT ZWISCHEN DEN GABELN	(IS) HÁMARKS GETA MILLI GAFLA	(PL) NO MAKSIMAL KAPASITET MELLON GAFLENE	(TR) ÇATALLAR ARASI YÜK MERKEZİNDEKİ
(EL) ΜΕΓΙΣΤΗ ΙΚΑΝΟΤΗΤΑ ΑΝΑΜΕΣΑ ΣΤΙΣ ΠΕΡΟΝΕΣ	(IT) PORTATA MASSIMA TRA LE FORCHE	(PT) CAPACIDADE MÁXIMA ENTRE GARFOS	(ZH) 最大承载能力
(ES) CAPACIDAD MÁXIMA ENTRE HORQUILLAS	(JA) フォーク間の最大容量	(RO) CAPACITATEA MAXIMĂ ÎNTRE FURCI	
(ET) KAHVLITE VAHELINE MAX. TÕSTEVÕIME	(KO) 포크 간 최대 용량		



(EN) @ LOAD CENTER	(ES) @ CENTRO DE CARGA	(IS) @ HLEÐSLUMIÐJA	(MT) @ ĊENTRU TAT-TAGĦBIJA	(RU) В ЦЕНТРЕ НАГРУЗКИ
(BG) В ЦЕНТЪРА НА НАТОВАРВАНЕ	(ET) @ KOORMUSE RASKUSKESE	(IT) @ BARICENTRO DEL CARICO	(NL) BIJ LASTZWAARTEPUNT	(SK) V ŤAŽISKU NÁKLADU
(CS) @ STŘED NÁKLADU	(FI) @ PAINOISTEESSÄ	(JA) @ 負荷の中心	(NO) VED LASTEPUNKT	(SL) @ SREDIŠČE OBREMNITVE
(DA) @ VED LASTCENTRUM	(FR) @ AU CENTRE DE CHARGE	(KO) @ 하중 중심	(PL) @ ŚRODEK CIĘŻKOŚCI ŁADUNKU	(SV) @ VID LASTENS MITTPUNKT
(DE) @ LASTSCHWERPUNKT	(GA) @ LÓDPHOINTE	(LT) @ TIES KROVINIO CENTRU	(PT) @ CENTRO DE CARGA	(TR) @ EK DONANIM AĞIRLIĞI
(EL) @ ΣΤΟ ΚΕΝΤΡΟ ΒΑΡΟΥΣ	(HU) @ TEHER KÖZEPE	(LV) @ KRĀVAS CENTRĀ	(RO) @ LA CENTRUL DE GREUTATE	(ZH) @ 载荷中心



(EN) MAXIMUM OPERATING PRESSURE	(FI) MAKSIMITOIMINTAPAINE	(LT) MAKSIMALUS EKSPLOATACINIS SLĒGIS	(RU) МАКСИМАЛЬНОЕ РАБОЧЕЕ ДАВЛЕНИЕ
(BG) МАКСИМАЛНО РАБОТНО НАПЯГАНЕ	(FR) PRESSION DE SERVICE MAXIMALE	(LV) MAKSIMĀLAIS DARBA SPIEDIENS	(SK) MAXIMÁLNY PREVÁDZKOVÝ TLAK
(CS) MAXIMÁLNÍ PROVOZNÍ TLAK	(GA) UASBHURU OIBRIUCHÁIN	(NL) PRESSJONI MASSIMA TAL-OPERAT	(SL) NAJVEČJI DELOVNI TLAK
(DA) MAKSIMALT DRIFTSTRYK	(HU) MAXIMÁLIS ÜZEMI NYOMÁS	(NO) MAXIMUM WERKDRUK	(SV) MAXIMALT ARBETSTRYCK
(DE) MAXIMALER BETRIEBSDRUCK	(IS) HÁMARKS VINNURÞYRINGUR	(PL) NO MAKSIMALT DRIFTSTRYCK	(TR) MAKSIMUM İŞLETME BASINCI
(EL) ΜΕΓΙΣΤΗ ΠΙΕΣΗ ΛΕΙΤΟΥΡΓΙΑΣ	(IT) @ PRESSIONE MASSIMA DI ESERCIZIO	(PT) MAKSIMALNE CIŚNIENIE ROBOCZE	(ZH) 最大工作压力
(ES) PRESIÓN DE FUNCIONAMIENTO MÁXIMA	(JA) 最大運転圧力	(RO) PRESIUNEA DE LUCRU MAXIMĂ	
(ET) MAKSIMAALNE TÕÖRÕHK	(KO) 최대 작동 압력		



(EN) MASS OF ATTACHMENT	(ES) PESO DEL ACCESORIO	(IS) FJÖLDI TENGINGA	(MT) PIŻ TAL-ATTACHMENT	(RU) МАССА НАВЕЩЕНОГО ОБОРУДОВАНИЯ
(BG) МАСА НА ПРИСТАВКА	(ET) TÕÕSEADME MASS	(IT) MASSA DELL'ATTREZZATURA	(NL) MASSA VAN VOORZETAPPARAAT	(SK) HMOTNOSŤ PRÍDAVNÉHO ZARIADENIA
(CS) HMOTNOST PŘIDÁVNÉHO ZAŘÍZENÍ	(FI) LISÄLAITTEEN PAINO	(JA) 装備総量	(NO) MASSE FOR TILLEGGSUTSTYR	(SL) MASA PRIKLJUČKA
(DA) UDSTYRS VÆGT	(FR) MASSE DE L'ACCESSOIRE	(KO) 부착 크기	(PL) MASA OSPRZĘTU	(SV) AGGREGATETS VIKT
(DE) ANBAUGERÄTEGEWICHT	(GA) MAIS AN FHEISTIS	(LT) PRIEDO MASĖ	(PT) PESO DO ACESSÓRIO	(TR) EK DONANIM AĞIRLIĞI
(EL) ΜΑΖΑ ΣΥΝΔΕΔΕΜΕΝΟΥ ΕΞΟΠΛΙΣΜΟΥ	(HU) A SZERELÉK TÖMEGE	(LV) UZKĀRES IĒKĀRTAS MASA	(RO) MASA ECHIPAMENTULUI ATAȘAT	(ZH) 属具质量



(EN) LOST LOAD CENTER DISTANCE	(GA) FAD LÓDPHOINTE CAILLTE	(NO) TAPT LASTEPUNKTAVSTAND
(BG) РАЗСТОЯНИЕ ОТ ЦЕНТЪРА НА ЗАГЪБА НА НАТОВАРВАНЕ	(HU) ELVESZETT TEHERKÖZEPONT-TÁVOLSÁG	(PL) WIELKOŚĆ PRZESUNIĘCIA ŚRODKA CIĘŻKOŚCI ŁADUNKU
(CS) VZDÁLENOST POSUNUTÉHO STŘEDU NÁKLADU	(IS) FJARLÆGD GLATÁÐS HLEÐSLUMIÐJU	(PT) DISTÂNCIA DO CENTRO DE CARGA PERDIDA
(DA) REDUCERET LASTCENTERAFSTAND	(IT) SPESSORE EFFETTIVO	(RO) DISTANȚA LA CENTRUL DE GREUTATE AL SARCINII
(DE) VERLORENER ABSTAND ZUM LASTMITTELPUNKT	(JA) 荷重中心消失	(RU) ПОТЕРЯННОЕ РАССТОЯНИЕ ДО ЦЕНТРА НАГРУЗКИ
(EL) ΑΠΟΣΤΑΣΗ ΑΠΟΛΕΣΘΕΝΤΟΣ ΚΕΝΤΡΟΥ ΒΑΡΟΥΣ	(KO) 손실 하중 중심 거리	(SK) ÚBYTOK VÝVOZENIA ŤAŽISKA S PRÍDAVNÝM ZARIADENÍM
(ES) DISTANCIA A CENTRO DE CARGA PERDIDA	(LT) ATITULSIUS APKROVOS CENTRO ATSTUMAS	(SL) RAZDALJA DO PREMAKNJENEGA SREDIŠČA OBREMNITVE
(ET) KOORMUSE RASKUSKEKME MUUTUS	(LV) ZAUDĒTS ATĀLUMS LĪDZ SLDZES CENTRAM	(SV) FÖRLORAT LASTMITTPUNKTSAVSTÅND
(FI) KAPASITEETTIHUKAN KESKIPESTEEN ETÄISYYS	(MT) DISTANZA MIĊ-CENTRU TAT-TAGĦBIJA MITLUFA	(TR) KAYIP YÜK MERKEZ MESAFESİ
(FR) DISTANCE CENTRE DE CHARGE PERDUE	(NL) VERLOREN AFSTAND TOT LASTZWAARTEPUNT	(ZH) 荷載損耗中心距離



- (EN) CENTER OF GRAVITY TO MOUNT FACE DISTANCE
- (BG) ЦЕНТЪР НА ТЕЖЕСТА СПРЯМО РАЗСТОЯНИЕТО ОТ МОНТАЖНАТА ЧЕЛНА ПОВЪРХИНА
- (CS) VZDÁLENOST STŘEDU NÁKLADU K ČELU RÁMU
- (DA) AFSTANDEN MELLEM TYNGDEPUNKT OG MONTERINGSFLADEN
- (DE) ABSTAND ZWISCHEN SCHWERPUNKT UND MONTAGEFLÄCHE
- (EL) ΑΠΟΣΤΑΣΗ ΚΕΝΤΡΟΥ ΒΑΡΟΥΣ ΑΠΟ ΤΗΝ ΠΡΟΣΩΠΗ ΒΑΣΗ
- (ES) DISTANCIA DE CENTRO DE GRAVEDAD A CARA DE MONTAJE
- (ET) RASKUSKESKME KAUGUS EESMISEST KINNITUSPINNAST
- (FI) PAINOPISTEEN ETÄISYYS KINNITYSPINNASTA
- (FR) DISTANCE CENTRE DE GRAVITÉ-FACE DE MONTAGE
- (GA) FAD IDIR AN MEÁCHANLÁR AGUS AN ÉADAN FEISTE
- (HU) SÚLYPONT - SZERELŐFELÜLET TÁVOLSÁG
- (IS) MIÐJA ÞYNGDARAFVIL TIL AÐ HLADA ÚR LIKAMSFJARLÆGD
- (IT) CENTRO DI GRAVITÀ: DAL PIANO DI AGGANCIO
- (JA) マウント面への重心
- (KO) 장착 면 거리에 대한 중력 중심
- (LT) ATSTUMAS NUO SUNKIO JĖGOS CENTRO KI PAGRINDO PRIEKINĖS PUSĖS
- (LV) ATTĀLUMS NO SMAGUMA CENTRA LĪDZ UZSTĀDĪŠANAS VIRSMAI
- (MT) CENTRU TA' GRAVITÀ SAD-DISTANZA MOUNT FACE
- (NL) AFSTAND TUSSEN ZWAARTEPUNT EN MONTAGEVLAK
- (NO) AVSTAND TYNGDEPUNKT TIL MONTERINGSFLATE
- (PL) ODLEGŁOŚĆ OD ŚRODKA CIEŻKOŚCI DO CZOŁA ZAWIESZENIA
- (PT) DISTÂNCIA DO CENTRO DE GRAVIDADE À SUPERFÍCIE DE MONTAGEM
- (RO) DISTANȚA DE LA CENTRUL DE GREUTATE LA SUPRAFAȚA DE MONTARE
- (RU) РАССТОЯНИЕ ОТ ЦЕНТРА ТЯЖЕСТИ ДО УСТАНОВОЧНОЙ ПОВЕРХНОСТИ
- (SK) VZDIALENOSŤ ŤAŽISKA OD ČELNEJ STRANY UCHYTENIA
- (SL) RAZDALJA TEŽIŠČA OD SPREDNJE MONTAŽNE STRANI
- (SV) AVSTÅND TYNGDPUNKT TILL MONTERINGSYTAN
- (TR) AĞIRLIK MERKEZİ İLE FORK YÜZÜ ARASI MESAFE
- (ZH) 重心到安装面的距离



- (EN) YEAR OF MANUFACTURE
- (BG) ГОДИНА НА ПРОИЗВОДСТВО
- (CS) ROK VÝROBY
- (DA) PRODUKTIONSÅR
- (DE) JAHR DER HERSTELLUNG
- (EL) ΕΤΟΣ ΚΑΤΑΣΚΕΥΗΣ
- (ES) AÑO DE FABRICACIÓN
- (ET) VALMISTAMISAASTA
- (FI) VALMISTUSVUOSI
- (FR) ANNÉE DE FABRICATION
- (GA) BLIAIN DÉANTÚSAÍOCHTA
- (HU) A GYÁRTÁS EVE
- (IS) FRAMLEIBSLUÁR
- (IT) ANNO DI FABBRICAZIONE
- (JA) 製造年度
- (KO) 제조년
- (LT) PAGAMINIMO METAI
- (LV) RAŽOŠANAS GADS
- (MT) SENA TA' MANIFATTURA
- (NL) BOUWJAAR
- (NO) PRODUKSJONSÅR
- (PL) ROK PRODUKCJI
- (PT) ANO DE FABRICO
- (RO) ANUL DE FABRICAȚIE
- (RU) ГОД ИЗГОТОВЛЕНИЯ
- (SK) ROK VÝROBY
- (SL) LETO IZDELAVE
- (SV) TILLVERKNINGSÅR
- (TR) ÜRETİM YILI
- (ZH) 制造年份



- (EN) CAPACITY OF TRUCK AND ATTACHMENT COMBINATION MAY BE LESS THAN ATTACHMENT CAPACITY SHOWN. CONSULT TRUCK NAMEPLATE. THE CAPACITY OF THE TRUCK AND ATTACHMENT COMBINATION SHALL BE COMPLIED WITH.
- (BG) КАПАЦИТЕТЪТ НА СЪЕДИНЕНИЕТЕ ПОВДИГАЧ И ПРИСТАВКА МОЖЕ ДА БЪДЕ ПО-МАЛЪК ОТ ДАДЕНИЯ КАПАЦИТЕТ НА ПРИСТАВКАТА. ВИЖТЕ ТАБЕЛКАТА НА ПОВДИГАЧА. ТОВАРОПОДЕМНОСТТА НА КАРА И КОМБИНАЦИЯТА ОТ ПРИСТАВКИ ТРЯБВА ДА СЪОТВЕТСТВАТ.
- (CS) NOSNOST KOMBINACE VOZÍKU S PŘÍDAVNÝM ZAŘIZENÍM MŮŽE BÝT MENŠÍ NEŽ UVEDENÁ NOSNOST PŘÍDAVNÉHO ZAŘÍZENÍ. PROHLÉDNĚTE SI ŠTÍTEK VOZÍKU. NOSNOST KOMBINACE VOZÍKU A PŘÍDAVNÉHO ZAŘÍZENÍ NESMÍ BÝT PŘEKROČENA.
- (DA) DEN SAMLEDE KAPACITET FOR TRUCKEN OG DET PÅMONTEREDE TILBEHØR KAN VÆRE MINDRE END DEN VISTE KAPACITET FOR TILBEHØRET. SE TRUCKENS NAVNEPLADE. KOMBINATIONEN AF TRUCKENS KAPACITET OG TILBEHØRET SKAL OVERHOLDES.
- (DE) DIE TRAGKRAFT DER KOMBINATION AUS STAPLER UND ANBAUGERÄT KANN GERINGER SEIN ALS DIE ANGEGEBENE NENNTRAGFÄHIGKEIT. SIEHE TYPENSCHILD. DIE TRAGFÄHIGKEIT DER STAPLER-ANBAUGERÄT-KOMBINATION MUSS DAMIT ÜBEREINSTIMMEN.
- (EL) Η ΧΩΡΗΚΟΤΗΤΑ ΤΟΥ ΟΧΗΜΑΤΟΣ ΚΑΙ ΣΥΝΔΥΑΣΜΟΥ ΕΞΑΡΤΗΜΑΤΩΝ ΕΝΔΕΧΕΤΑΙ ΝΑ ΕΙΝΑΙ ΧΑΜΗΛΟΤΕΡΗ ΑΠΟ ΤΗ ΧΩΡΗΚΟΤΗΤΑ ΤΟΥ ΕΞΑΡΤΗΜΑΤΟΣ ΣΤΟ ΠΑΡΑΔΕΙΓΜΑ. ΣΥΜΒΟΥΛΕΥΤΕΙΤΕ ΤΗΝ ΕΤΙΚΕΤΑ ΟΧΗΜΑΤΟΣ. Η ΙΚΑΝΟΤΗΤΑ ΤΟΥ ΟΧΗΜΑΤΟΣ ΚΑΙ ΤΟΥ ΣΥΝΔΕΔΕΜΕΝΟΥ ΕΞΟΠΛΙΣΜΟΥ ΠΡΕΠΕΙ ΝΑ ΕΙΝΑΙ ΣΥΜΒΑΤΕΣ.
- (ES) LA CAPACIDAD COMBINADA DE CARRETILLA Y ACCESORIO PUEDE SER MENOR QUE LA CAPACIDAD DEL ACCESORIO INDICADA. CONSULTE LA PLACA DE CARACTERÍSTICAS DE LA CARRETILLA. DEBE CUMPLIRSE LA CAPACIDAD COMBINADA DE CARRETILLA Y ACCESORIO.
- (ET) LAADURI JA TÕÕSEADME KOMBINATSIOONI JÕUDLUS VÕIB OLLA VÄIKSEM KUI TÕÕSEADME NÄIDATUD JÕUDLUS. VAADAKE LAADURI ANDMEPLAATI. LAADUR JA TÕÕSEADE PEAVAD OLEMA ÜKSTEISEGA VASTAVUSES.
- (FI) TRUKKI- JA LISÄLAITEYHDISTELMÄN KAPASITEETTI VOI OLLA PIENEMPI KUIN LISÄLAITTEEN ILMOITETTU KAPASITEETTI. KS. TRUKIN ARVOKILPI. TRUKIN JA LISÄLAITTEEN YHDISTELMÄN NOSTOKYKYÄ ON NOUDATETTAVA.
- (FR) LA CAPACITÉ DE LA COMBINAISON CHARIOT/ACCESSOIRE PEUT S'AVÉRER INFÉRIEURE À CELLE INDIQUÉE POUR L'ACCESSOIRE. SE REPORTER À LA PLAQUE SIGNALÉTIQUE DU CHARIOT. RESPECTER LA CAPACITÉ DU CHARIOT ET DE L'ACCESSOIRE COMBINÉS.
- (GA) D'FHÉADFADH NÍOS LÚ CUMAIS A BHEITH AG AN TRUCAIL AGUS FEISTEAS NÁ AN CUMAS FEISTIS A THAISPEÁNTAR. FÉACH AR AINMCHLÁR NA TRUCAILE. CLOÍFEAR LE CUMAS NA TRUCAILE AGUS AN CHOMHCHEANGAL FEISTIS.
- (HU) A TARGONCA ÉS A TARTOZÉK KOMBINÁCIÓ KAPACITÁSA LEHET, HOGY KEVESEBB, MINT AZ ÁBRÁZOLT TARTOZÉK KAPACITÁSA. LÁSD A TARGONCA ADATTÁBLÁN. A TARGONCA ÉS SZERELÉK KOMBINÁCIÓ TEHERBÍRÁSÁNAK ELEGET KELL TENNIE ENNEK.
- (IS) GETA VÖRUBÍLS OG VÍDHENGISVIÐBÓTAR GETUR VERIÐ MINNI EN GETA VÍDHENGIS ER SÝND. RÁÐFÆRÐI YKKUR VIÐ NAFNASKILTI VÖRUBÍLSINS. ÞAÐ Á AÐ FYLGJA GETU VÖRUBÍLSINS OG VÍDHENGISVIÐBÓTINI.
- (IT) LA PORTATA DELLA COMBINAZIONE CARRELLO/ATTREZZATURA PUÒ ESSERE INFERIORE RISPETTO ALLA PORTATA DELLE ATTREZZATURE DICHIARATE. CONSULTARE LA TARGHETTA DEL CARRELLO. DEVE ESSERE RISPETTATA LA PORTATA DELLA COMBINAZIONE CARRELLO ELEVATORE/ATTREZZATURA.
- (JA) フォークリフトの能力と装備の組み合わせは示されている装備の能力より低い場合があります。フォークリフトのネームプレートを相談。トラックの容量と装備の組み合わせとは実施済み。.
- (KO) 트럭 및 부속 결합물의 용량은 표시된 부속물 용량보다 적을 수 있습니다. 트럭 명판을 참조하십시오. 트럭 및 부속물 결합의 용량을 준수해야 합니다.
- (LT) KRAUTUVO IR PRIEDO DERINIO GALINGUMAS GALI BŪTI MAŽESNIS NEGU NURODYTAS PRIEDO GALINGUMAS. SKAITYKITE INFORMACIJĄ KRAUTUVO INFORMACINĖJE PLOKŠTELĖJE. BŪTINA NEVIRŠYTI KRAUTUVO IR PRIEDO DERINIO GALIUS.
- (LV) AUTOIEKRĀVĒJA UN PIEDERUMA KOPĒJĀ CELTSPĒJA VAR BŪT MAŽĀKA PAR NORĀDĪTO PIEDERUMA CELTSPĒJU. SKATĪT AUTOIEKRĀVĒJA TEHNISKO DATU PLĀKSNĪTI. IR JĀIEVĒRO AUTOIEKRĀVĒJA UN UZKARES IEKĀRTAS KOPĒJĀ CELTSPĒJA.
- (MT) IL-KAPACITÀ TAT-TRAKK U TAT-TAGHMIR IMQABBAD MIEGHU TISTA' TKUN INQAS MILL-KAPACITÀ MURJA TAT-TAGHMIR IMQABBAD MIEGHU. IČĊEKKJA L-PJANĊA TAL-ISEM TAT-TRAKK. IL-KAPACITÀ TAT-TRAKK FLIMKIEN MA' DIK TAT-TAGHMIR IMQABBAD MIEGHU TRID TIĠI SSODISFATA.
- (NL) HET DRAAGVERMOGEN VAN DE COMINATIE VAN HEFTRUCK EN VOORZETAPPARAAT KAN LAGER ZIJN DAN HET VERMELDE DRAAGVERMOGEN VAN HET VOORZETAPPARAAT. KIJK OP HET TYPEP LAATJE VAN DE HEFTRUCK. MET DE CAPACITEIT VAN DE COMBINATIE VAN TRUCK EN VOORZETAPPARAAT WORDT REKENING GEHOUDEN.
- (NO) TOTAL KOMBINERT KAPASITET FOR GAFFELTRUCK OG TILBEHØR KAN VÆRE MINDRE ENN ANGITT KAPASITET FOR TILBEHØRET. SE GAFFELTRUCKENS NAVNEPLATE. DEN TOTALE KAPASITETEN FOR GAFFELTRUCK OG TILLEGGSTYR KOMBINERT MÅ OVERHOLDES.
- (PL) UDŹWIG ZESPOŁU WÓZKA I OSPRZĘTU MOŻE BYĆ MNIEJSZY NIŻ POKAZANY UDŹWIG OSPRZĘTU. PATRZ TABLICZKA ZNAMIONOWA WÓZKA. NALEŻY PRZESTRZEGAĆ DOPUSZCZALNEGO UDŹWIGU ZESPOŁU WÓZKA I OSPRZĘTU.
- (PT) A CAPACIDADE DA COMBINAÇÃO DO EMPILHADOR E DO ACESSÓRIO PODE SER INFERIOR À CAPACIDADE DO ACESSÓRIO APRESENTADA. CONSULTE A CHAPA DE ESPECIFICAÇÕES DO EMPILHADOR. CAPACIDADE DO CAMINHÃO E COMBINAÇÃO DE PENHORA DEVE SER RESPEITADO.
- (RO) CAPACITATEA VEHICULULUI ȘI A COMBINĂȚIEI DISPOZITIVELOR DE PRINDERE POATE FI MAI MICĂ DECÂT CAPACITATEA DISPOZITIVELOR DE PRINDERE INDICATĂ. CONSULTAȚI PLĂCUȚA CU CARACTERISTICILE TEHNICE ALE STIVUITORULUI. CAPACITATEA COMBINĂȚIEI STIVUITOR - ECHIPAMENTE ATAȘATE TREBUIE RESPECTATĂ.
- (RU) СОВМЕШТАЯ ГРУЗОПОДЪЕМНОСТЬ АВТОПОГРУЗЧИКА И НАВЕСНОГО УСТРОЙСТВА МОЖЕТ БЫТЬ НИЖЕ УКАЗАННОЙ ГРУЗОПОДЪЕМНОСТИ НАВЕСНОГО УСТРОЙСТВА. СМ. ТАБЛИЧКУ ТЕХНИЧЕСКИХ ДАННЫХ. НЕОБХОДИМО СОБЛЮДАТЬ КОМБИНИРОВАННУЮ ГРУЗОПОДЪЕМНОСТЬ АВТОПОГРУЗЧИКА И НАВЕСНОГО ОБОРУДОВАНИЯ.
- (SK) NOSNOSŤ VOZÍKA A PŘÍDAVNÉHO ZARIADENIA MÔŽE BÝT MENŠIA AKO UVEDENÁ NOSNOSŤ PŘÍDAVNÉHO ZARIADENIA. BLIŽŠIE INFORMÁCIE UVEDENÉ NA TYPOVOM ŠTÍTKU VOZÍKA. NOSNOSŤ VOZÍKA S PŘÍDAVNÝM ZARIADENÍM BUDE DODRŽANÁ.
- (SL) ZMOGLJIVOST KOMBINACIJE VILICARJA IN OPREME JE LAHKO MANJŠA OD PRIKAZANE ZMOGLJIVOSTI OPREME. UPOŠTEVAJTE NAPISNO PLOŠČICO VILICARJA. UPOŠTEVATI JE POTREBNO ZMOGLJIVOST KOMBINACIJE VILICARJA IN OPREME.
- (SV) KAPACITETEN FÖR KOMBINATIONEN GAFFELTRUCK OCH AGGREGAT KAN VARA MINDRE ÄN ANGIVEN KAPACITET. LÄS GAFFELTRUCKENS TYPSKYL. KAPACITETEN FÖR KOMBINATIONEN GAFFELTRUCK OCH AGGREGAT SKA FÖLJAS.
- (TR) ARAÇ KAPASİTESİ VE DONANIM KOMBİNASYONU, GÖSTERİLEN DONANIM KAPASİTESİNDEN DÜŞÜK OLABİLİR. ARAÇ BİLGİ ETİKETİNE BAŞVURUN. ARAÇ KAPASİTESİ VE DONANIM KOMBİNASYONU UYUMLU OLMALIDIR.
- (ZH) 叉车与叉车属具的综合承载能力可能小于显示的叉车属具承载能力。请参考叉车铭牌。应符合叉车与叉车属具的综合承载能力。



Blank

**Do you have questions you need answered right now?** Call your nearest Cascade Service Department. Visit us online at [www.cascorp.com](http://www.cascorp.com)

**Zijn er vragen waarop u direct een antwoord nodig hebt?** Neem dan contact op met uw dichtstbijzijnde serviceafdeling van Cascade. Of ga naar [www.cascorp.com](http://www.cascorp.com)

**Haben Sie Fragen, für die Sie sofort eine Antwort benötigen?** Wenden Sie sich an Ihren nächsten Cascade-Kundendienst. Besuchen Sie uns online: [www.cascorp.com](http://www.cascorp.com)

**En cas de questions urgentes,** contactez le service d'entretien Cascade le plus proche. Visitez le site Web [www.cascorp.com](http://www.cascorp.com).

**Per domande urgenti contattare** l'Ufficio Assistenza Cascade più vicino. Visitate il nostro sito all'indirizzo [www.cascorp.com](http://www.cascorp.com)

**¿Tiene alguna consulta que deba ser respondida de inmediato?** Llame por teléfono al servicio técnico de Cascade más cercano. Visítenos en [www.cascorp.com](http://www.cascorp.com)

## AMERICAS

**Cascade Corporation  
U.S. Headquarters**  
2201 NE 201st  
Fairview, OR 97024-9718  
Tel: 800-CASCADE (227-2233)  
Fax: 888-329-8207

**Cascade Canada Inc.**  
5570 Timberlea Blvd.  
Mississauga, Ontario  
Canada L4W-4M6  
Tel: 905-629-7777  
Fax: 905-629-7785

**Cascade do Brasil**  
Praça Salvador Rosa,  
131/141-Jordanópolis,  
São Bernardo do Campo - SP  
CEP 09891-430  
Tel: 55-13-2105-8800  
Fax: 55-13-2105-8899

## EUROPE-AFRICA

**Cascade Italia S.R.L.  
European Headquarters**  
Via Dell'Artigianato 1  
37030 Vago di Lavagno (VR)  
Italy  
Tel: 39-045-8989111  
Fax: 39-045-8989160

**Cascade (Africa) Pty. Ltd.**  
PO Box 625, Isando 1600  
60A Steel Road  
Sparton, Kempton Park  
South Africa  
Tel: 27-11-975-9240  
Fax: 27-11-394-1147

## ASIA-PACIFIC

**Cascade Japan Ltd.**  
2-23, 2-Chome,  
Kukuchi Nishimachi  
Amagasaki, Hyogo  
Japan, 661-0978  
Tel: 81-6-6420-9771  
Fax: 81-6-6420-9777

**Cascade Korea**  
121B 9L Namdong Ind.  
Complex, 691-8 Gojan-Dong  
Namdong-Ku  
Inchon, Korea  
Tel: +82-32-821-2051  
Fax: +82-32-821-2055

**Cascade-Xiamen**  
No. 668 Yangguang Rd.  
Xinyang Industrial Zone  
Haicang, Xiamen City  
Fujian Province  
P.R. China 361026  
Tel: 86-592-651-2500  
Fax: 86-592-651-2571

**Cascade India Material  
Handling P Ltd**  
Sy no 271/8, Ingawale Patil  
Estate,  
Godown No.9,10 & 11, Bhugaon,  
Off Paud Road, Tal Mulshi, Dist  
Pune 411 042

**Cascade Australia Pty. Ltd.**  
1445 Ipswich Road  
Rocklea, QLD 4107  
Australia  
Tel: 1-800-227-223  
Fax: +61 7 3373-7333

**Cascade New Zealand**  
15 Ra Ora Drive  
East Tamaki, Auckland  
New Zealand  
Tel: +64-9-273-9136  
Fax: +64-9-273-9137

**Sunstream Industries  
Pte. Ltd.**  
18 Tuas South Street 5  
Singapore 637796  
Tel: +65-6795-7555  
Fax: +65-6863-1368



## Free Manuals Download Website

<http://myh66.com>

<http://usermanuals.us>

<http://www.somanuals.com>

<http://www.4manuals.cc>

<http://www.manual-lib.com>

<http://www.404manual.com>

<http://www.luxmanual.com>

<http://aubethermostatmanual.com>

Golf course search by state

<http://golfingnear.com>

Email search by domain

<http://emailbydomain.com>

Auto manuals search

<http://auto.somanuals.com>

TV manuals search

<http://tv.somanuals.com>