

Cascade System Installations and Instruction Manual

KIT# : SP20892



⚠ WARNING

Read this instruction carefully and failure to follow these instructions exactly could result in a fire or explosion, serious bodily injury and/or property damage. Installation must be performed by a qualified plumber, a licensed gas fitter, or a professional technician in accordance with all local codes. Improper installation and operation by an unqualified person will void the warranty.

⚠ CAUTION

Electrical Shock Hazard
Do not turn power on until electrical wiring is finished. Disconnect power before servicing. Failure to do so may result in death or serious injury from electrical shock.

1. About Rheem Cascade System

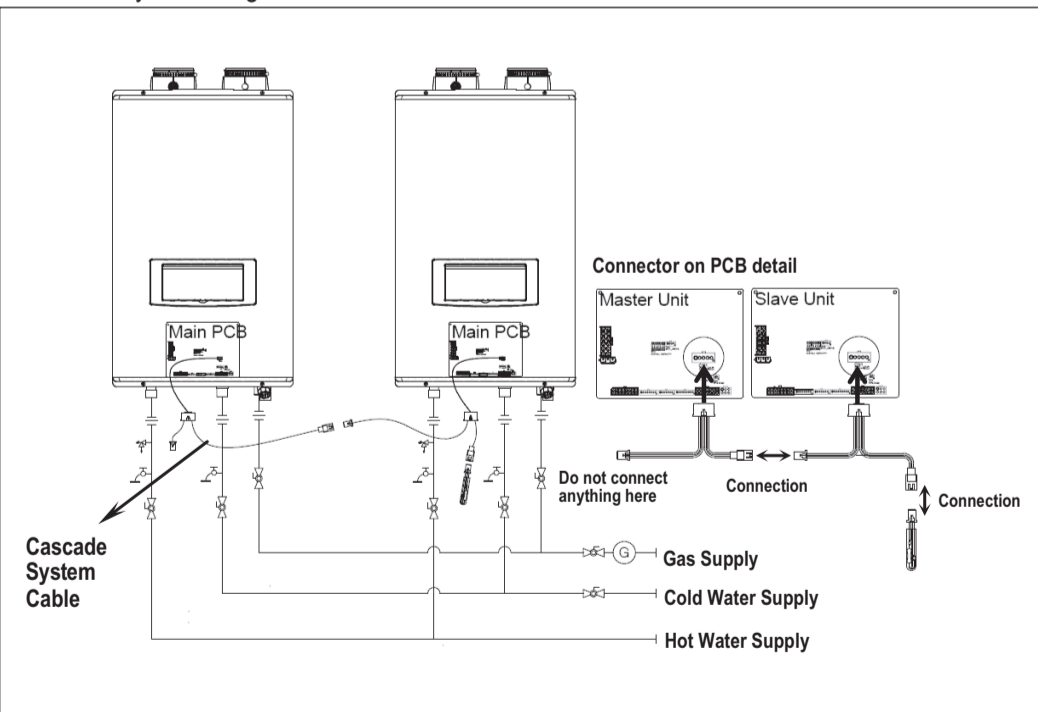
- Cascade System can allow up to 2 units.
- All units within Cascade System must be of the same type.
- Different types cannot work as Cascade System.

■ Included parts on KIT

Before installing this KIT, verify that the parts contained in this KIT with followed table.

#	Parts	Shape	Q'ty
1	Cascade System Cable		2 sets
2	Manual		1

2. Overall System Diagram

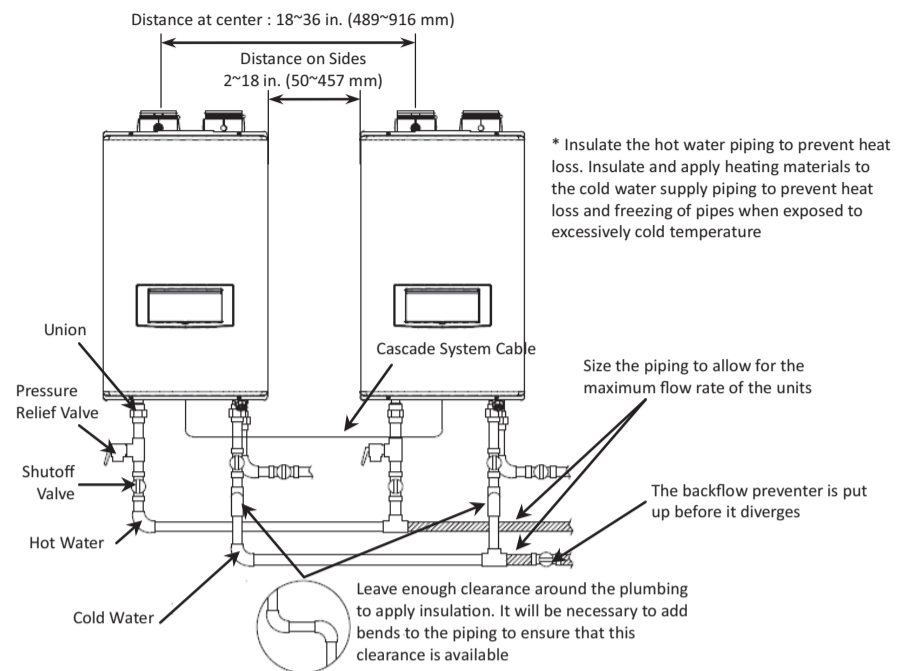


[NOTE]

- The Cascade System Cords are 6 feet (1.8 m) long each. Install the units 2~18" (50~457 mm) apart from each other to ensure the cable will be able to reach between the units. (See a Basic Plumbing Diagram).
- If the distance between the two units is too great, not only the cable won't be able to reach, but the water temperature may also become unstable because of the difference in pipe length between the two units.

3. Installation

1) Basic Plumbing Diagram



2) Installing

[NOTE]

All units must be set to the same settings listed below before using in the Cascade System.

- Set "on" at [12:Cn] in installer mode (Refer to the next page on the Panel Setting)
- Current Clock Setting.
- Recirculation Timer Setting, if recirculation is used. (Please refer to pages 62-63 in the U&C Manual)

- ① Turn off both gas and water supply to the water heater. And, turn the power off.
- ② Use a hand screwdriver to remove the 4 screws for the front cover. See Figure 1 for illustration of the front cover on the unit.

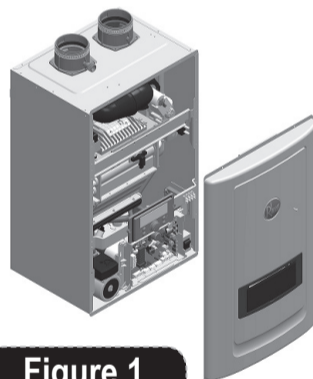


Figure 1

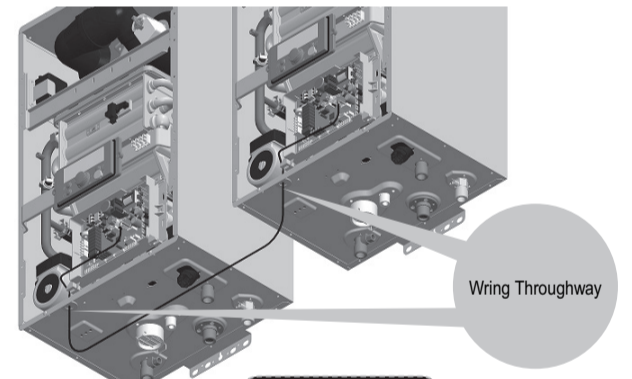


Figure 2

- ③ Pass the Cascade System Cord through the wiring throughway at the bottom of the both units. See Figure 2 for illustration of the throughway location at the bottom of the units.
- ④ Plug the wire connector into the 'Main PCB' connector inside both each other units. See Figure 3 for illustration of the Main PCB connector inside units.

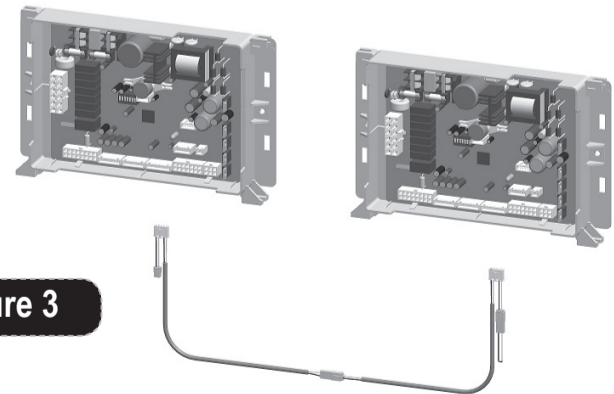


Figure 3

- ⑤ Set the proper setting on the control panel to activate the Cascade system. For more detailed configuring, refer to next page on "Setting on the control panel."
- ⑥ Close the front cover with secure 4 screws.

Cascade System Installations and Instruction Manual

4. Setting on the Control Panel

To activate the function, follow the procedure below.

1) Turn the power off on the Control Panel.

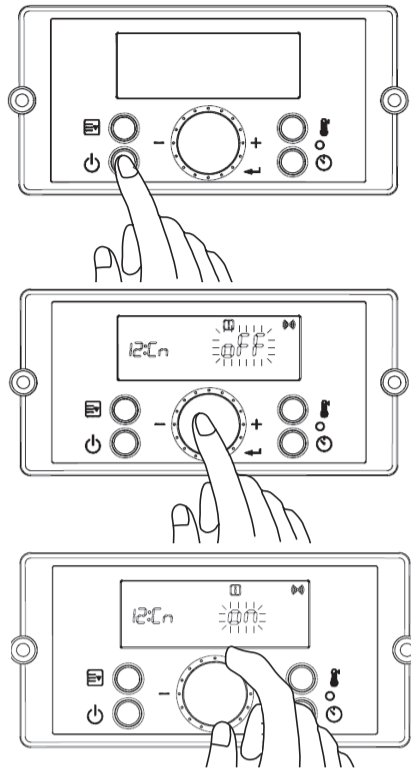
2) Press and hold the 'Function Button' for 5 seconds to get into the 'Installer mode'.

3) Turn the dial button to '[12:Cn]'

4) Press the dial button, the "oFF" character will now be flashing.

5) Turn the dial button clockwise to select 'on' in order to activate Cascade System function.

6) Press the dial button to store the current setting and return back to 'Installer mode'.



[NOTE]

- Display on the Panel after Cascade System Setting.
- If the distance between the two units is too great, not only the cable won't be able to reach, but the water temperature may also become unstable because of the difference in pipe length between the two units.

Display	Parameter	Description
	Cascade System mode : Master water heater.	If 'Cascade System' is activated, [CA01] / [CA02] character appears on the display screen.
	Cascade System mode : Slave water heater.	

- CA:01(Master) unit will be able to set as first setting "on" at [12:Cn] in installer mode.
- Other unit will be automatically set CA:02(Slave) as second setting "on" at [12:Cn] in installer mode.

Free Manuals Download Website

<http://myh66.com>

<http://usermanuals.us>

<http://www.somanuals.com>

<http://www.4manuals.cc>

<http://www.manual-lib.com>

<http://www.404manual.com>

<http://www.luxmanual.com>

<http://aubethermostatmanual.com>

Golf course search by state

<http://golfingnear.com>

Email search by domain

<http://emailbydomain.com>

Auto manuals search

<http://auto.somanuals.com>

TV manuals search

<http://tv.somanuals.com>