

**OPE
MANI**

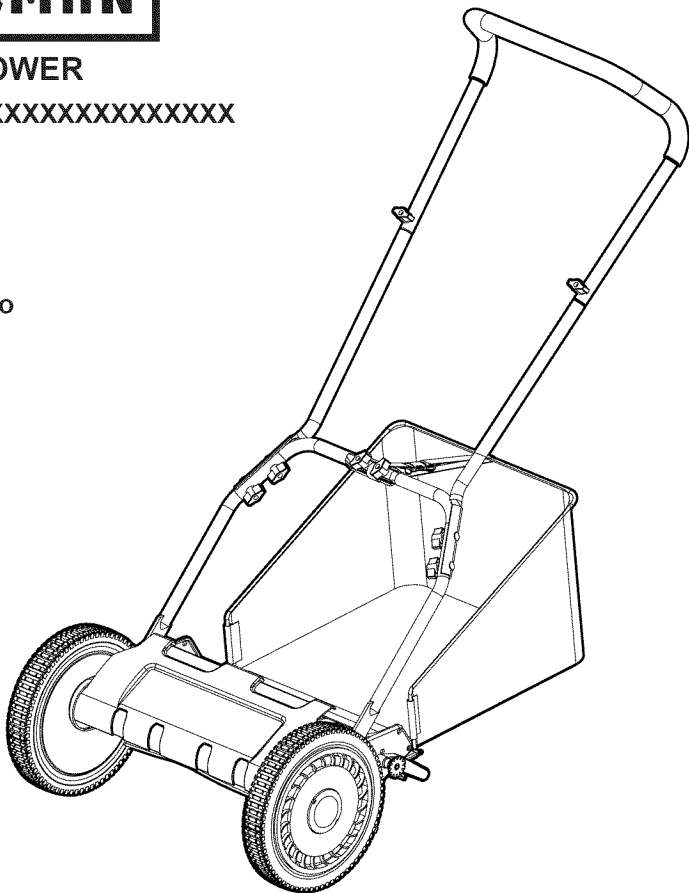
CRAFTSMAN

16 in. REEL MOWER

XXXXXXXXXXXXXXXXXXXXXXXXXXXX

**Model No.
151.30377**

**Número de modelo
151.30377**



⚠ WARNING: To reduce the risk of injury, the user must read and understand the operator's manual before using this product.


⚠ ADVERTENCIA: Para reducir el riesgo de lesiones, el usuario debe leer y comprender el manual del operador antes de usar este producto.

Sears Brands Management Corporation, Hoffman Estates, IL 60179 USA
Visit the Craftsman web page: www.craftsman.com
Visite el sitio web de Craftsman: www.craftsman.com

**Save this manual for future reference
Guarde este manual para futuras consultas**

SAFETY INFORMATION


IMPORTANT SAFETY INSTRUCTIONS


 **IMPORTANT!** READ AND UNDERSTAND ALL INSTRUCTIONS. Failure to follow all instructions listed below may result in electric shock, fire, and/or serious personal injury.


- Do not operate power tools in explosive environment, such as in the presence of flammable liquids, gases, or dust. Power tools create sparks which may ignite the dust or fumes.
- Avoid body contact with grounded surfaces such as pipes, radiators, ranges, and refrigerators. There is an increased risk of electric shock if your body is grounded.
- Never allow children to operate the equipment. This is not a toy. Never allow adults to operate the equipment without proper instruction.
- Keep all bystanders, children, and pets at least 50 ft. away.
- Always wear safety glasses with side shields. Everyday glasses have only impact resistant lenses. They are NOT safety glasses. Following this rule will reduce the risk of eye injury. Use face mask if operation is dusty.
- Wear eye protection with side shields which are marked to comply with ANSI Z87.1 when operating this product.
- Do not expose to rain; store indoors.
- Use only as described in this manual. Use only identical manufacturer's replacement parts and accessories. Use of any other parts may create a hazard or cause product damage.
- Secure long hair so it is above shoulder level to prevent entanglement in any moving parts.
- Wear heavy long pants, boots, and gloves. Avoid loose garments or jewelry that could get caught in moving parts of the machine.
- Keep firm footing and balance. Do not overreach. Overreaching can result in loss of balance.
- Do not operate the equipment while barefoot or when wearing sandals or similar lightweight footwear. Wear protective footwear that will protect your feet and improve your footing on slippery surfaces.
- Never place hands, fingers or feet inside the reel. Although a motor does not power this mower, when the wheels turn the reel spins and can cut.
- Never mow when grass is wet as it can be slippery.
- Do not use the reel mower while barefoot or while wearing sandals.
- Walk behind, never run, while using reel mower.
- Always make sure of your footing when using this reel mower.

- Never intentionally strike or hit trees, fences, etc. This can cause injuries or severely damage the reel mower mechanisms.
- Make sure your reel mower is in a safe operating condition. Do not attempt to operate this reel mower if damaged. Take the mower to a qualified service dealer for inspection and possible repair.
- Do not force tool. Use the correct tool for your application. The correct tool will do the job better and safer at the rate for which it is designed.

SPECIFIC SAFETY RULES FOR REEL MOWER

 **WARNING!** This symbol points out important safety instructions, which if not followed, could endanger the personal safety and/or property of yourself and others. Read and follow all instructions in this manual before attempting to operate this machine. Failure to comply with these instructions may result in personal injury.

 **DANGER!** This machine was built to be operated according to the rules for safe operation in this manual. As with any type of power equipment, carelessness or error on the part of the operator can result in serious injury. This machine is capable of amputating hands and feet and throwing objects. Failure to observe the following safety instructions could result in serious injury or death.

 **WARNING!** When using reel mowers, basic safety precautions should always be followed to reduce the risk of fire, electric shock, and personal injury.

GENERAL OPERATION

Use of this reel mower should be restricted to individuals who have read, understood and will follow the warnings and instructions that are printed in this manual and on the reel mower.

- Carefully read all instructions on the reel mower and in the manual before attempting to assemble and operate the reel mower. Keep this manual in a safe place for future reference, and consult it regularly.
- In order to avoid contact with the blade or injury caused by a thrown object, stay in the operating zone behind the handles, and keep children and bystanders at least 50 ft. (15 m) away from the mower while it is in operation. Stop the motor immediately if someone enters the mowing area.
- Thoroughly inspect the area where the reel mower is to be used. Remove all stones, sticks, wire, toys, and other objects that could be tripped over or thrown by the blade. Thrown objects can cause serious personal injury.

SAFETY INFORMATION

- Plan your mowing pattern in such a way as to avoid discharging material toward roads, sidewalks, bystanders, etc.
- Always wear a face mask or a dust mask when operating the mower in a dusty environment.
- Dress properly. Do not wear loose clothing or jewelry that can get caught in moving parts. The wearing of protective gloves and safety footwear is recommended.
- Do not use the reel mower for any job except that for which it is intended. Do not force the reel mower.
- Avoid dangerous environments. Do not operate the mower in the rain or in wet or damp grass.
- Mow only in daylight or in good artificial light. Do not rush a mowing job.
- Stop machine if anyone enters the area.
- Do not pull machine backward unless absolutely necessary. Always look down and behind before and while moving backward.
- Never leave a running machine unattended.
- Operate machine only in daylight or good artificial light.



WARNING! (PROPOSITION 65)

Some dust created by power sanding, sawing, grinding, drilling and other construction activities contains chemicals known to the state of California to cause cancer, birth defects or other reproductive harm. Some examples of these chemicals are:

- Lead from lead-based paints,
- Crystalline silica from bricks and cement and other masonry products, and
- Arsenic and chromium from chemically-treated lumber.

Your risk from these exposures varies, depending on how often you do this type of work. To reduce your exposure to these chemical: work in a well ventilated area, and work with approved safety equipment, such as those dust masks that are specially designed to filter out microscopic particles.

CHILD SAFETY








Tragic accidents can occur if the operator is not aware of the presence of children.

- Keep children out of the mowing area and under the watchful care of a responsible adult.
- Do not allow children under the age of 14 to operate this reel mower. Children who are 14 years of age and older must read and understand the operating instructions and safety rules in this manual and must be trained and supervised by a parent.
- Stay alert, and stop the reel mower if a child or any other person enters the mowing area.
- Look behind and down for small children before and while moving backwards.
- Use extreme care when approaching blind corners, doorways, shrubs, trees, or other objects that may obscure your view of a child who may run into the path of the reel mower.




SAVE THESE INSTRUCTIONS

SYMBOLS

Some of the following symbols may be used on this product. Please study them and learn their meaning. Proper interpretation of these symbols will allow you to operate the product better and safer.

SYMBOL	NAME	DESIGNATION/EXPLANATION
	Read The Operator's Manual	To reduce the risk of injury user must read and understand operator's manual before using this product.
	Eye and Head Protection	Always wear eye protection with side shields that are marked to comply with ANSI Z87.1
	Sharp Blade	Thrown objects can ricochet and result in personal injury or property damage.
 	Danger	Danger – Keep hands and feet away from blade.
	Operating on a slope	Do not mow slope that has an angle of greater than 15°.
	Keep Bystanders Away	Keep all bystanders at least 50 ft. away.

The following signal words and meanings are intended to explain the levels of risk associated with this product.

SYMBOL	SIGNAL	MEANING
	DANGER	Indicates an imminently hazardous situation, which, if not avoided, will result in death or serious injury.
	WARNING	Indicates a potentially hazardous situation, which, if not avoided, could result in death or serious injury.
	CAUTION	Indicates a potentially hazardous situation, which, if not avoided, may result in minor or moderate injury.
	CAUTION	(Without Safety Alert Symbol) Indicates a situation that may result in property damage.

FEATURES

PRODUCT SPECIFICATIONS

Cutting path	16" (40 cm)
Height adjustments.....	1 - 2" (2.6 - 5.1 cm)
Number of blades	5 Helical blades
Weight	25.3 lbs (11.5 kg)

KNOW YOUR LAWN MOWER

See Figure 1.

The safe use of this product requires an understanding of the information on the product and in this operator's manual as well as a knowledge of the project you are attempting. Before use of this product, familiarize yourself with all operating features and safety rules.

REAR BAG

The rear bag prevents grass clippings from being scattered across your lawn as you mow.

HEIGHT ADJUSTMENT KNOB

The height adjustment knob provides cutting height adjustments. There is one knob on each side of the mower.

ASSEMBLY

UNPACKING


Before attempting to assemble, empty carton and compare parts with parts list below.


- Carefully remove the product and any accessories from the box.
- Inspect the parts to make sure no breakage or damage occurred during shipping.
- Do not discard the packing material until all parts are examined.
- If any parts are damaged or missing, do not operate the mower. Return it for replacement to the retailer from which it was purchased.
- Be sure to tighten the lock nuts when assembled to prevent the handle from rocking.

PACKING LIST

See Figure 2.

- 1-Top handle
- 2-Center handle pieces
- 2-Lower handle pieces
- 8-Knobs
- 8-Carriage bolts
- 1-Reel mower body
- 1-Bar frame
- 1-Rear bag

 **WARNING!** Do not allow familiarity with this product to make you careless. Remember that a careless fraction of a second is sufficient to inflict serious injury.

 **WARNING!** Do not use any attachments or accessories not recommended by the manufacturer of this product. The use of attachments or accessories not recommended can result in serious personal injury.

ASSEMBLING THE HANDLE

See Figure 3-5.

NOTE: Do not completely tighten bolts until assembly is complete.

- Insert the two center handle pieces (4) into the left and right side of the top handle (2) and secure with two carriage bolts (3) and knobs (5) provided. (Fig. 3)
- Connect the right lower handle (6) with the left lower handle (7) and secure with two carriage bolts (3) and knobs (5) provided. (Fig. 4)
- Attach the top handle subassembly previously assembled, to the lower handle subassembly using four carriage bolts (3) and knobs (5) provided. (Fig. 5)
- Tighten all the knobs on the joints of the handle assembly.

ATTACHING THE HANDLE TO THE MOWER BASE

See Figure 6.

- Align holes (1) at the lower end of each handle arm with posts (2) extending from the mower base side plates.
- Slide lower ends of handle arms onto posts.

ATTACH THE REAR BAG

See Figure 7-10.

- Take out all components in the packing.
- Push the bar frame into the grass box tube, snap the side fastening lugs on the grass box over the bar frame, and snap the bottom fastening lug on the grass box over the bar frame. (Fig. 7-8)
- Place the hooks on the rear bag onto the roller shaft. Secure the bag to the lower handle using the support belt provided. (Fig. 9)
- Adjust strap for proper height so the bag does not rub the ground while mowing or transporting. (Fig.10)

OPERATION

CUTTING HEIGHT ADJUSTMENT

See Figure 11.

- Use the roller assembly to adjust the cutting height of the mower to four positions, from 1- 2 inches (2.6 - 5.1 cm).
- For the highest cutting level, move the adjustment knobs to position A as shown in Fig. 11.
- For the lowest cutting level, move the adjustment knobs to position B as shown in Fig. 11.
- Set intermediate cutting heights by moving the adjustment knobs to one of the two stops between highest and lowest positions.


NOTE: The two adjustment knobs **MUST** be set to the same position (height).

For best performance, align the edge of the cutting blades to overlap the previously cut path. This will ensure no grass is missed during the process.

NOTE: Do not use wheels as a reference point for grass cut line.


MOWER BLADE ADJUSTMENTS

See Figure 12.

 **WARNING!** Blades are extremely sharp. To avoid injury, do not touch blades when making adjustments.

NOTE: Blades are factory adjusted.


- Misalignment can occur, often caused by blades being too loose or too tight. This can cause an uneven cut or difficulty pushing the mower.
- Each end of the cutting bar is adjusted separately.
- To move the cutting bar closer to the blades turn the adjustment screw clockwise. To move the cutting bar away from the blades turn the adjustment screw counterclockwise.
- When the space equals the thickness of paper (0.12 mm), insert a piece of paper between one of the blades and the cutting bar, and slowly turn the wheel by hand.
- The reel should cut the paper evenly at every point. If not, it is necessary to readjust the cutting action.

 **CAUTION!** Adjusting the screws for blade adjustments is a very sensitive procedure. A sixteenth of a turn is considered a major adjustment. Before tightening one adjustment screw, make sure to loosen the opposite screw an equal amount.

CHECKING THE ADJUSTMENT

See Figure 13.


- Turn mower upside down.
- Insert a piece of paper between cutting bar and one of the reel blades, and slowly turn wheel by hand.
- Each blade should cut across the paper in a continuous line. If there are missed spots in the cut, it is necessary to make further adjustments. See Mower Blade Adjustments.

 **CAUTION!** Do not overtighten adjustment screws, as this could damage cutting bar. Both screws must be tight on final adjustment.


CARE AND MAINTENANCE

- Minimum care is required to ensure smooth operation of your mower.
- To avoid damage to mower or cutting blades, keep area to be mowed free from debris.
- For best results, regularly apply lubricant to mower's cutting surfaces, cutting reel axle shaft and wheels.

SHARPENING THE CUTTING BLADES

 **WARNING!** Do not place hands in the mower near blades. If grass cuttings are compacted in the blade area, remove using a wood or plastic cleaning tool appropriate for the cleaning of the blades.

- Spread a thin layer of lapping compound, available at most hardware stores, onto the front edge of the reel blades.
- Adjust the cutting bar so that the blade has light but firm contact across the full width of the cutting bar.
- Turn the reel blades until the front edge of the cutting bar blade is polished.

 **CAUTION!** Do not overtighten the adjusting screws, as this could damage the cutting bar. Tighten both screws during final adjustment.

NOTE: Clean any grinding compound or debris from the cutting bar blade, reel blade, pinions, and pawls.

NOTE: Use industrial or valve lapping compound between 100 and 240 grit. Lubricate the axle and pinion with a light film of wheel bearing grease.

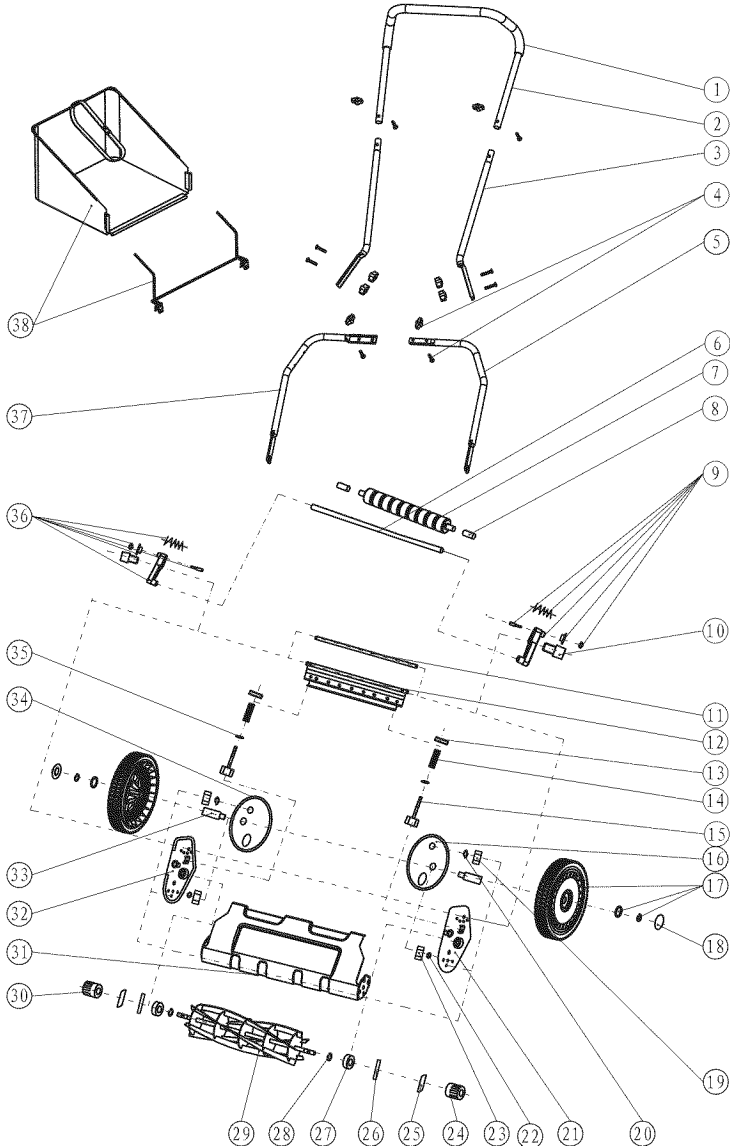
CLEANING AND STORAGE

- Clean the exterior of the machine thoroughly using a soft brush and cloth before storing. Do not use water, solvents or polishes.
- Turn the mower on its side to clean the blade area.
- Store the mower in a dry place. Do not place other objects on top of the mower during storage.

CRAFTSMAN 16in. REEL MOWER – MODEL NUMBER 151.30377

The model number will be found on a label attached near left wheel.

TO PURCHASE REPLACEMENT PARTS, CALL 1-888-331-4569



CRAFTSMAN 16in. REEL MOWER – MODEL NUMBER 151.30377

The model number will be found on a label attached near left wheel.

TO PURCHASE REPLACEMENT PARTS, CALL 1-888-331-4569

ITEM NO.	PART NO.	DESCRIPTION	QTY
1	100106451-001	Soft grip	1
2		Top handle	1
3	100106452-01	Middle handle	2
5	100106453-01	Left lower handle	1
4	100101010-001	Carriage Bolt	8
		Knob	8
6	100103139-01	Roller shaft	1
7	100103136-01	Roller	1
8	100103137-01	Roller shaft sleeve	2
9	100103144-01	Height adjustment pin	1
	2611101262	Spring	1
	100101441-01	Height adjustment bracket (L)	1
	100101443-01	Height adjustment knob	1
	GB896-86	C-clip	1
10	21042810202-01	Bolt	2
11	100103132-01	Cutting bar pivot rod	1
12	100103150-01	Cutting bar assy.	1
13	22050822	Blade adjustment nut	2
14	271704392	Blade adjustment spring	2
15	21010820602	Blade adjustment bolt	2
16	100103054-01	Supporting plate (L)	1
17	100106455-002	Wheel assy.	2
		C-clip	2
		Washer	2
18	100104324-01	Wheel cover	2

CRAFTSMAN 16in. REEL MOWER – MODEL NUMBER 151.30377

The model number will be found on a label attached near left wheel.

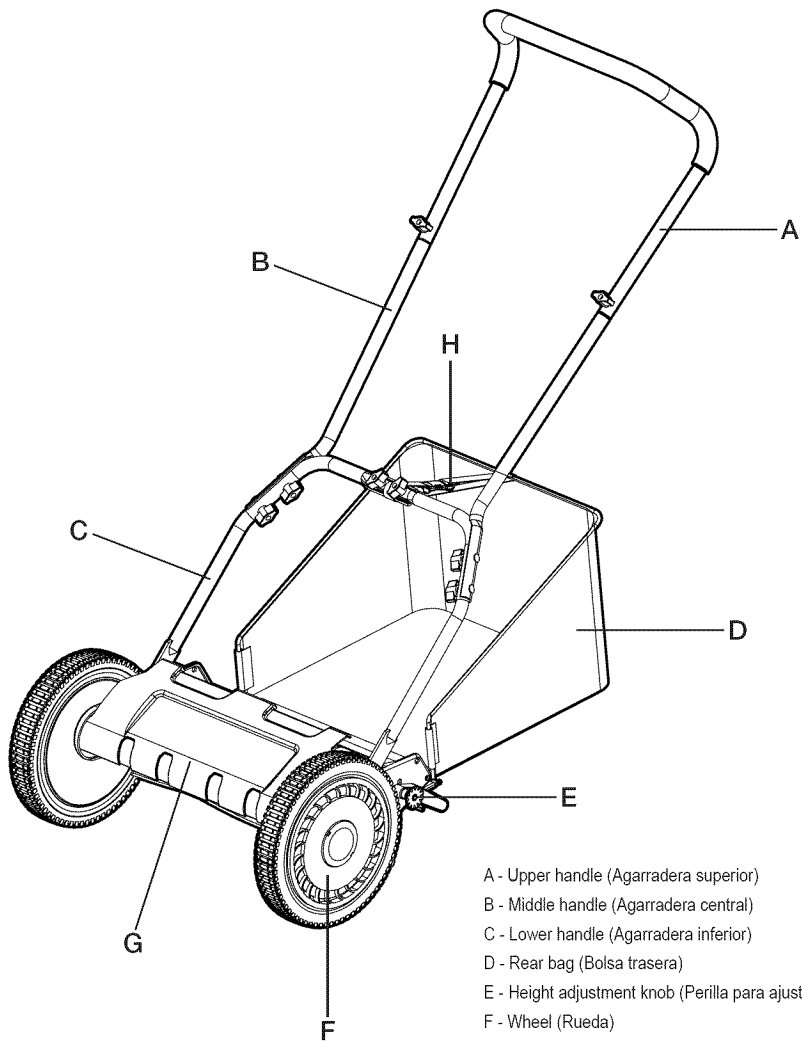
TO PURCHASE REPLACEMENT PARTS, CALL 1-888-331-4569

ITEM NO.	PART NO.	DESCRIPTION	QTY
19	22010812	Nut M8	2
20	GB/T7244-8	Spring washer	2
21	100104820-01	Supporting assy.(L)	1
22	GB/T7244-10	Washer	2
23	22011012	Lock nut M10	2
24	100101205-01	Gear (L)	1
25	100101208-01	Pin	2
26	23013415012	Washer	2
27	6002Z	Ball bearing	2
28	GB8941-15	C-clip	2
29	100103040-01	Cylinder-blade assy.	1
30	100101206-01	Gear (R)	1
31	100106420-01	Cover assy.	1
32	100104830-01	Supporting assy. (R)	1
33	100104321-01	Wheel shaft	2
34	100103055-01	Supporting plate (R)	1
35	2301170812	Washer	2
37	100146454-01	Right lower handle	1
36	100103144-01	Height adjustment pin	1
	2611101262	Spring	1
	100101441-01	Height adjustment bracket (R)	1
	100101443-01	Height adjustment knob	1
	GB896-86	C-clip	1
38	100106470-003	Bar frame	1
		Grass bag	1

See this section for all of the figures referenced in the operator's manual.

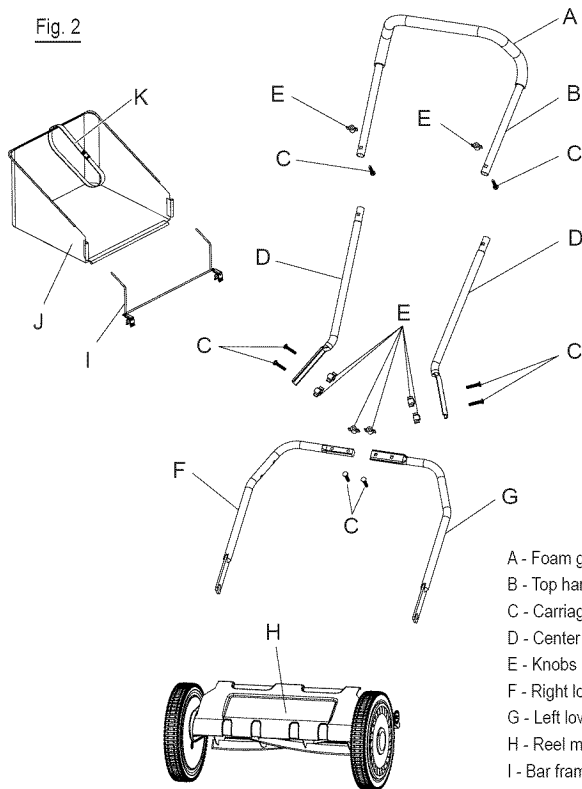
Consulte esta sección para ver todas las figuras a las que se hace referencia en el manual del operador.

Fig. 1



- A - Upper handle (Agarradera superior)
- B - Middle handle (Agarradera central)
- C - Lower handle (Agarradera inferior)
- D - Rear bag (Bolsa trasera)
- E - Height adjustment knob (Perilla para ajuste de altura)
- F - Wheel (Rueda)
- G - Housing (Carcasa)
- H - Bag support belt (Bolsa con cinta de sujeción)

Fig. 2



- A - Foam grip (Asidero de espuma)
- B - Top handle (Agarradera superior)
- C - Carriage bolts (Pernos de soporte)
- D - Center handle pieces (Piezas centrales de la agarradera)
- E - Knobs (Perillas)
- F - Right lower handle (Agarradera inferior derecha)
- G - Left lower handle (Agarradera inferior izquierda)
- H - Reel mower body (Cuerpo de la podadora de carrete)
- I - Bar frame (Barra del marco)
- J - Rear bag (Bolsa)
- K - Bag support belt (Bolsa con cinta de sujeción)

Fig. 3

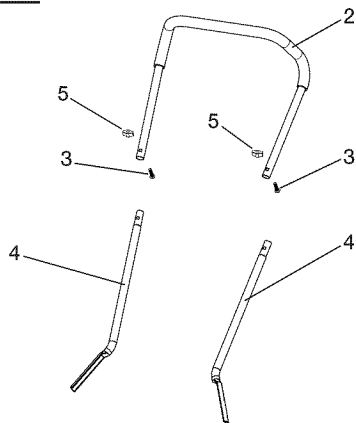


Fig. 4

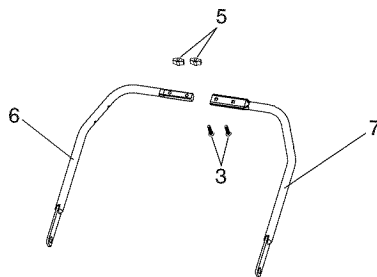


Fig. 5

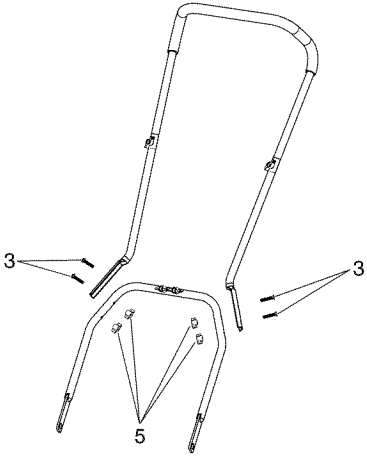


Fig. 6

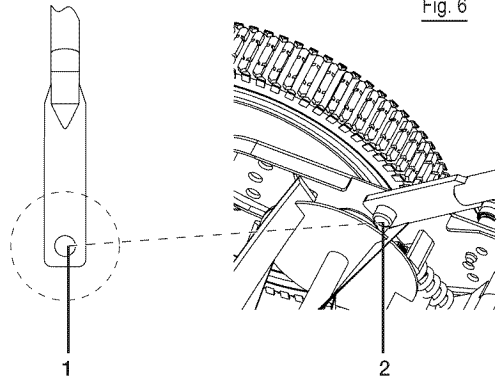


Fig. 7

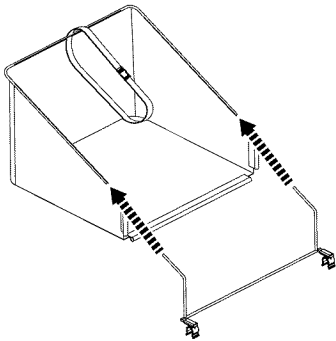


Fig. 9

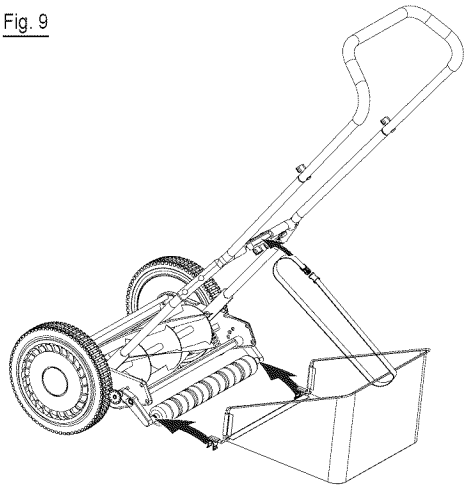


Fig. 8

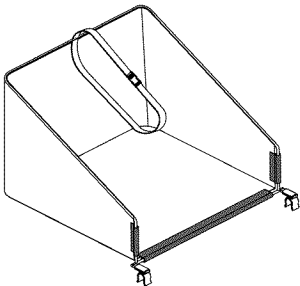


Fig. 10

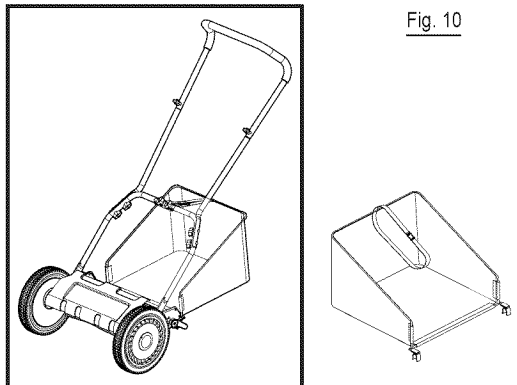
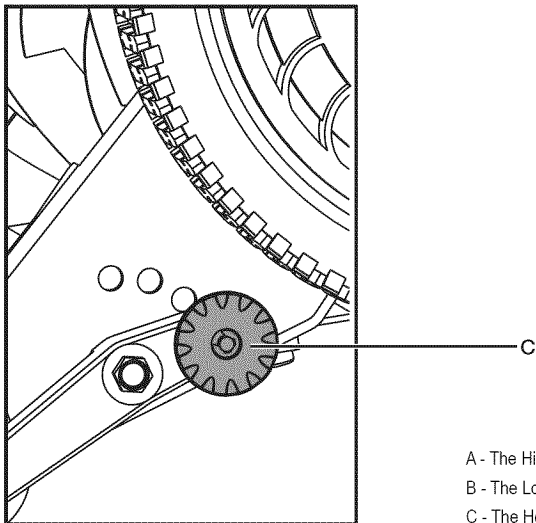
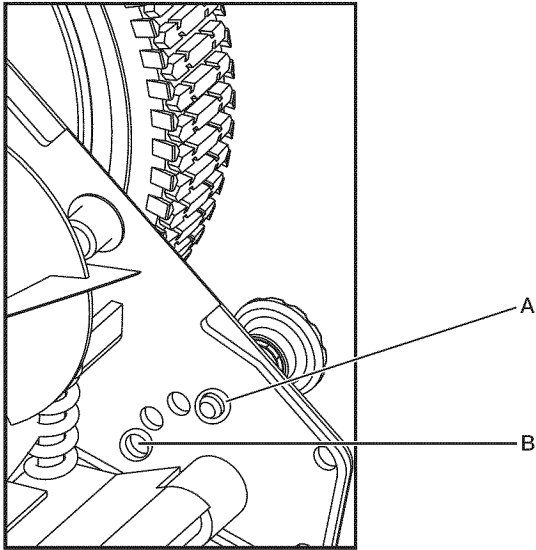
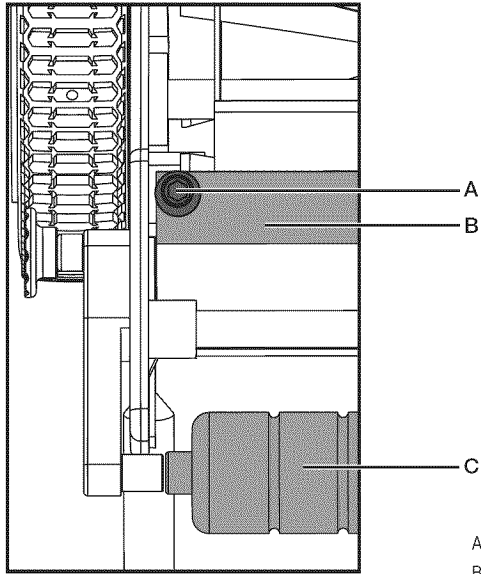


Fig. 11



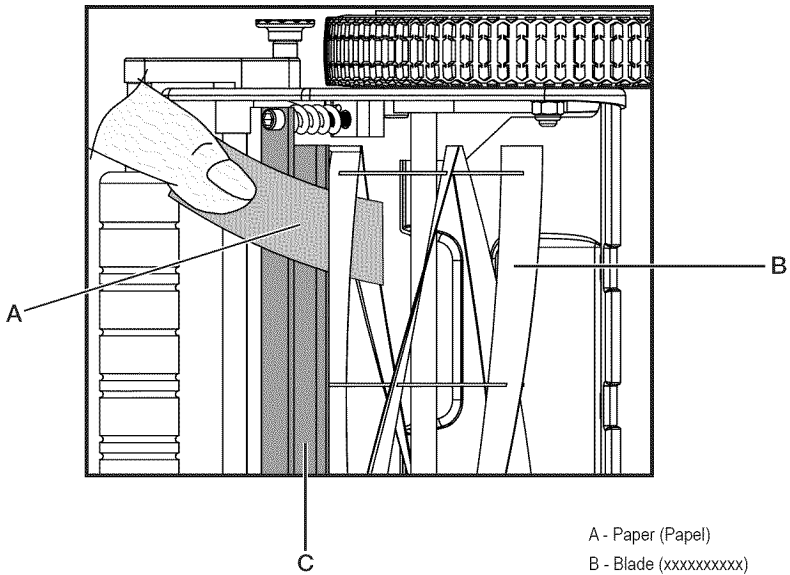
- A - The Highest cutting position (Posición de corte más alta)
- B - The Lowest cutting position (Posición de corte más baja)
- C - The Height adjustment knob (Perilla para ajuste de altura)

Fig. 12



- A - Adjustment screw (Tornillo de ajuste)
- B - Cutting bar (Barra de corte)
- C - Rear roller (Rodillo trasero)

Fig. 13



- A - Paper (Papel)
- B - Blade (xxxxxxxxx)
- C - Cutting bar (Barra de corte)

CRAFTSMAN®

Product questions or problems?

1-888-331-4569

Customer Care Hot Line

**Get answers to questions, troubleshoot problems,
order parts, or schedule repair service.**

Para respuestas a preguntas o problemas, y ordenar
piezas o pedir servicio para la reparación de su equipo.

To help us help you, register your product at www.craftsman.com/registration

Para poderte ayudar mejor, registra tu producto en www.craftsman.com/registration

Join the Craftsman Club today!

CRAFTSMAN® CLUB

www.craftsman.com/signup

**Receive exclusive member benefits including special pricing and offers,
project sharing, expert advice, and SHOP YOUR WAY REWARDS!**

Como miembro exclusivo, recibe diversos beneficios como ofertas, precios especiales, proyectos nuevos, consejos de expertos y nuestro programa de puntos SHOP YOUR WAY REWARDS!

® Registered Trademark / ™ Trademark of KCD IP, LLC in the United States, or Sears Brands, LLC in other countries

® Marca Registrada / ™ Marca de Fábrica de KCD IP, LLC en Estados Unidos, o Sears Brands, LLC in otros países

Free Manuals Download Website

<http://myh66.com>

<http://usermanuals.us>

<http://www.somanuals.com>

<http://www.4manuals.cc>

<http://www.manual-lib.com>

<http://www.404manual.com>

<http://www.luxmanual.com>

<http://aubethermostatmanual.com>

Golf course search by state

<http://golfingnear.com>

Email search by domain

<http://emailbydomain.com>

Auto manuals search

<http://auto.somanuals.com>

TV manuals search

<http://tv.somanuals.com>